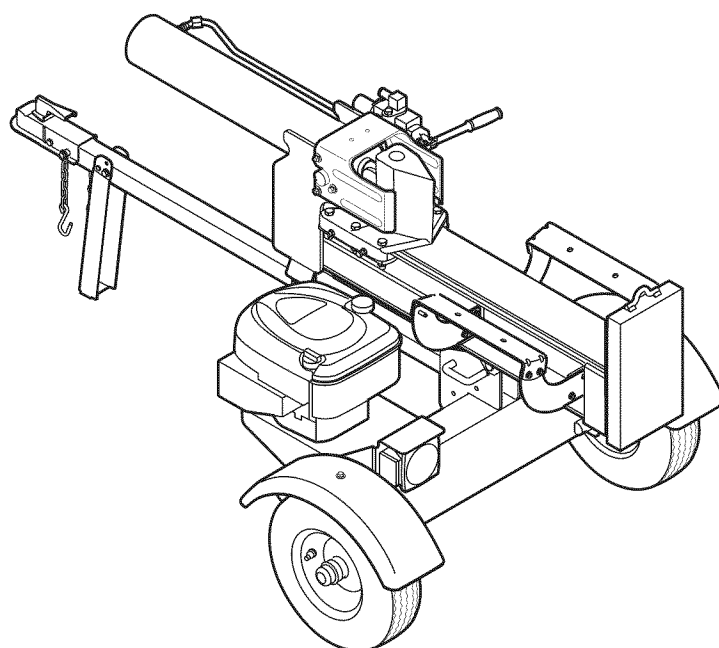


# OPERATOR'S MANUAL



## Log Splitter — Model Series 510 thru 570

### **⚠ WARNING**

**READ AND FOLLOW ALL SAFETY RULES AND INSTRUCTIONS IN THIS MANUAL  
BEFORE ATTEMPTING TO OPERATE THIS MACHINE.  
FAILURE TO COMPLY WITH THESE INSTRUCTIONS MAY RESULT IN PERSONAL INJURY.**

---

MTD LLC, P.O. BOX 361131 CLEVELAND, OHIO 44136-0019

---

## Thank You

Thank you for purchasing a Log Splitter manufactured by MTD LLC. It was carefully engineered to provide excellent performance when properly operated and maintained.

Please read this entire manual prior to operating the equipment. It instructs you how to safely and easily set up, operate and maintain your machine. Please be sure that you, and any other persons who will operate the machine, carefully follow the recommended safety practices at all times. Failure to do so could result in personal injury or property damage.

All information in this manual is relative to the most recent product information available at the time of printing. Review this manual frequently to familiarize yourself with the machine, its features and operation. Please be aware that this Operator's Manual may cover a range of product specifications for various models. Characteristics and features discussed and/or illustrated in this manual may not be applicable to all models. MTD LLC reserves the right to change product specifications, designs and equipment without notice and without incurring obligation.

If you have any problems or questions concerning the machine, phone your local authorized MTD service dealer or contact us directly. MTD's Customer Support telephone numbers, website address and mailing address can be found on this page. We want to ensure your complete satisfaction at all times.

Throughout this manual, all references to *right* and *left* side of the machine are observed from the operating position

The engine manufacturer is responsible for all engine-related issues with regards to performance, power-rating, specifications, warranty and service. Please refer to the engine manufacturer's Owner's/Operator's Manual, packed separately with your machine, for more information.

## Table of Contents

<b>Safe Operation Practices .....</b>	<b>3</b>	<b>Maintenance &amp; Adjustment.....</b>	<b>14</b>
<b>Assembly &amp; Set-Up .....</b>	<b>7</b>	<b>Troubleshooting.....</b>	<b>18</b>
<b>Controls &amp; Features.....</b>	<b>10</b>	<b>Illustrated Parts List .....</b>	<b>20</b>
<b>Operation.....</b>	<b>11</b>	<b>Warranty.....</b>	<b>25</b>

## Record Product Information

Before setting up and operating your new equipment, please locate the model plate on the equipment and record the information in the provided area to the right. You can locate the model plate by standing behind the unit and looking down at the hydraulic tank. This information will be necessary, should you seek technical support via our web site, Customer Support Department, or with a local authorized service dealer.

### MODEL NUMBER

--	--	--	--	--	--	--	--	--	--	--	--

### SERIAL NUMBER

--	--	--	--	--	--	--	--	--	--	--	--

## Customer Support

**Please do NOT return the machine to the retailer or dealer without first contacting our Customer Support Department.**

If you have difficulty assembling this product or have any questions regarding the controls, operation, or maintenance of this machine, you can seek help from the experts. Choose from the options below:

- ◇ Visit us on the web at [www.mtdproducts.com](http://www.mtdproducts.com)
- ◇ Call a Customer Support Representative at (800) 800-7310 or (330) 220-4683
- ◇ Write us at MTD LLC • P.O. Box 361131 • Cleveland, OH • 44136-0019



**WARNING:** This symbol points out important safety instructions which, if not followed, could endanger the personal safety and/or property of yourself and others. Read and follow all instructions in this manual before attempting to operate this machine. Failure to comply with these instructions may result in personal injury.

When you see this symbol. **HEED ITS WARNING!**

## CALIFORNIA PROPOSITION 65



**WARNING:** Engine Exhaust, some of its constituents, and certain vehicle components contain or emit chemicals known to State of California to cause cancer and birth defects or other reproductive harm.



**DANGER:** This machine was built to be operated according to the safe operation practices in this manual. As with any type of power equipment, carelessness or error on the part of the operator can result in serious injury. This machine is capable of amputating hands and feet and throwing debris. Failure to observe the following safety instructions could result in serious injury or death.

## Training

1. Read, understand, and follow all instructions on the machine and in the manual(s) before attempting to assemble and operate. Keep this manual in a safe place for future and regular reference and for ordering replacement parts.
2. Be familiar with all controls and their proper operation. Know how to stop the machine and disengage them quickly.
3. Never allow children under 16 years of age to operate this machine. Children 16 and over should read and understand the instructions and safe operation practices in this manual and on the machine and be trained and supervised by an adult.
4. Never allow adults to operate this machine without proper instruction.
5. Many accidents occur when more than one person operates the machine. If a helper is assisting in stacking logs, never activate the control until the helper is a minimum of 10 feet from the machine.
6. Keep bystanders, pets, and children at least 20 feet from the machine while it is in operation.
7. Never allow anyone to ride on this machine.
8. Never transport cargo on this machine.
9. Hydraulic log splitters develop high fluid pressures during operation. Fluid escaping through a pin hole opening can penetrate your skin and cause blood poisoning, gangrene, or death. Give attention to the following instructions at all times:
  - a. Do not check for leaks with your hand.
  - b. Do not operate machine with frayed, kinked, cracked, or damaged hoses, fittings, or tubing.
  - c. Stop the engine and relieve hydraulic system pressure before changing or adjusting fittings, hoses, tubing, or other system components.
  - d. Do not adjust the pressure settings of the pump or valve.
10. Leaks can be detected by passing cardboard or wood, while wearing protective gloves and safety glasses, over the suspected area. Look for discoloration of cardboard or wood.
11. If injured by escaping fluid, see a doctor immediately. Serious infection or reaction can develop if proper medical treatment is not administered immediately.
12. Keep the operator zone and adjacent area clear for safe, secure footing.
13. If your machine is equipped with an internal combustion engine and is intended for use near any unimproved forest, brush, or grass covered land, the engine exhaust should be equipped with a spark arrester. Make sure you comply with applicable local, state, and federal codes. Take appropriate firefighting equipment with you.

14. This machine should be used for splitting wood only, do not use it for any other purpose.
15. Follow the instructions in the manual(s) provided with any attachment(s) for this machine.

## Preparation

1. Always wear safety shoes or heavy boots.
2. Always wear safety glasses or safety goggles when operating this machine.
3. Never wear jewelry or loose clothing that might become entangled in moving or rotating parts of the machine.
4. Make sure machine is on a level surface before operating.
5. Always block wheels to prevent unintended movement, and lock beam in either the horizontal or vertical position.
6. Always operate this machine from the operator zone(s) specified in the manual.
7. Logs should be cut with square ends prior to splitting.
8. Use log splitter in daylight or under good artificial light.

## Safe Handling of Gasoline

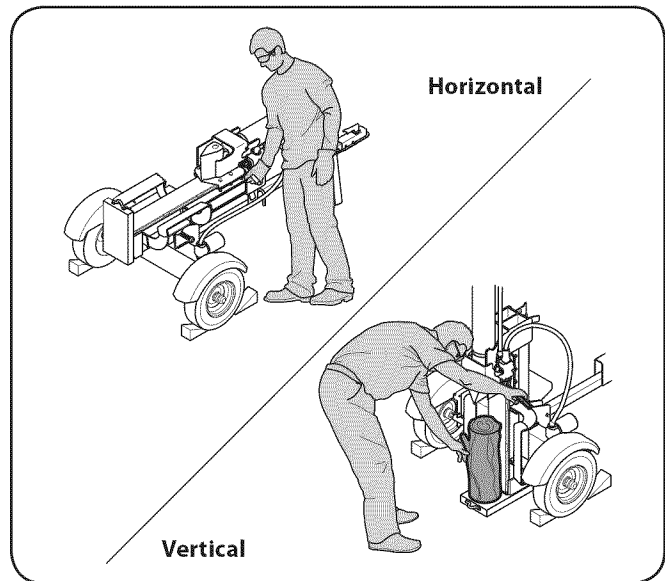
To avoid personal injury or property damage use extreme care in handling gasoline. Gasoline is extremely flammable and the vapors are explosive. Serious personal injury can occur when gasoline is spilled on yourself or your clothes which can ignite. Wash your skin and change clothes immediately.

- a. Use only an approved gasoline container.
- b. Extinguish all cigarettes, cigars, pipes, and other sources of ignition.
- c. Never fuel machine indoors.
- d. Never remove gas cap or add fuel while the engine is hot or running.
- e. Allow engine to cool at least two minutes before refueling.
- f. Never overfill the fuel tank. Fill tank to no more than 1/2 inch below bottom of filler neck to provide space for fuel expansion.
- g. Replace gasoline cap and tighten securely.
- h. If gasoline is spilled, wipe it off the engine and equipment and move machine to another area. Wait five (5) minutes before starting the engine.
- i. Never store the machine or fuel container inside where there is an open flame, spark or pilot light as on a water heater, space heater, furnace, clothes dryer or other gas appliances.
- j. Allow machine to cool at least five (5) minutes before storing.

## Operation

1. Before starting this machine, review the "Safety Instructions". Failure to follow these rules may result in serious injury to the operator or bystanders.
2. Never leave this machine unattended with the engine running.

3. Do not operate machine while under the influence of alcohol, drugs, or medication.
4. Never allow anyone to operate this machine without proper instruction.
5. Always operate this machine with all safety equipment in place and working. Make sure all controls are properly adjusted for safe operation.
6. Operator Zone
  - a. Horizontal Operating Position: Stand on the control lever side of the log splitter in front of the wheel as shown in Fig. 2-1.
  - b. Vertical Operating Position: Stand in front of the beam and log as shown in Fig. 2-1.



**Figure 2-1**

7. When loading a log, always place your hands on the sides of the log, not on the ends, and never use your foot to help stabilize a log. Failure to do so, may result in crushed or amputated fingers, toes, hand, or foot.
8. Use only your hand to operate the controls.
9. Never attempt to split more than one log at a time.
10. For logs which are not cut square, the least square end and the longest portion of the log should be placed toward the beam and wedge, and the square end placed toward the end plate.
11. When splitting in the vertical position, stabilize the log before moving the control. Split as follows:
  - a. Place log on the end plate and turn until it leans against the beam and is stable.
  - b. When splitting extra large or uneven logs, the log must be stabilized with wooden shims or split wood between the log and end plate or ground.
12. Always keep fingers away from any cracks that open in the log while splitting. They can quickly close and pinch or amputate your fingers.

13. Keep your work area clean. Immediately remove split wood around the machine so you do not stumble over it.
14. Do not change the engine governor settings or overspeed the engine. The governor controls the maximum safe operating speed of the engine.
15. Never move this machine while the engine is running.
16. This machine should not be towed on any street, highway or public road without checking the existing federal, state, or local vehicle requirements. Any licensing or modifications such as taillights, etc., needed to comply, is the sole responsibility of the purchaser. If a "Statement of Origin" is required in your state, see your local dealer.
17. Do not tow machine over 45 mph.
18. See Transporting the Log Splitter section in this manual for proper towing instructions once all federal, local, or state requirements are met.

## Maintenance and Storage

1. Stop the engine, disconnect the spark plug and ground it against the engine before cleaning, or inspecting the machine.
2. Stop the engine and relieve hydraulic system pressure by cycling the valve control lever from forward to reverse several times while engine is not running; returning to neutral before repairing or adjusting fittings, hoses, tubing, or other system components.
3. To prevent fires, clean debris and chaff from the engine and muffler areas. If the engine is equipped with a spark arrester muffler, clean and inspect it regularly according to manufacturers instructions. Replace if damaged.
4. Periodically check that all nuts and bolts, hose clamps, and hydraulic fittings are tight to be sure equipment is in safe working condition.
5. Check all safety guards and shields to be sure they are in the proper position. Never operate with safety guards, shields, or other protective features removed.
6. The pressure relief valve is preset at the factory. Do not adjust the valve.
7. Never attempt to move this machine over hilly or uneven terrain without a tow vehicle or adequate help.
8. For your safety, replace all damaged or worn parts immediately with original equipment manufacturer's (O.E.M.) parts only. "Use of parts which do not meet the original equipment specifications may lead to improper performance and compromise safety!"
9. Do not alter this machine in any manner, alterations such as attaching a rope or extension to the control handle, or adding to the width or height of the wedge may result in personal injury.
10. According to the Consumer Products Safety Commission (CPSC) and the U.S. Environmental Protection Agency (EPA), this product has an *Average Useful Life* of seven (7) years, or 130 hours of operation. At the end of the *Average Useful Life* have the machine inspected annually by an authorized service dealer to ensure that all mechanical and safety systems are working properly and not worn excessively. Failure to do so can result in accidents, injuries or death.

## Spark Arrester



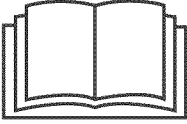

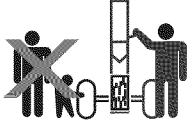


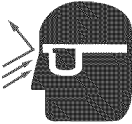

**WARNING:** This machine is equipped with an internal combustion engine and should not be used on or near any unimproved forest-covered, brush covered or grass-covered land unless the engine's exhaust system is equipped with a spark arrester meeting applicable local or state laws (if any).

If a spark arrester is used, it should be maintained in effective working order by the operator. In the State of California the above is required by law (Section 4442 of the California Public Resources Code). Other states may have similar laws. Federal laws apply on federal lands.

A spark arrester for the muffler is available through your nearest engine authorized service dealer or contact the service department, P.O. Box 361131 Cleveland, Ohio 44136-0019.

## Safety Symbols

This page depicts and describes safety symbols that may appear on this product. Read, understand, and follow all instructions on the machine before attempting to assemble and operate.

Symbol	Description
	<b>READ THE OPERATOR'S MANUAL(S)</b> Read, understand, and follow all instructions in the manual(s) before attempting to assemble and operate
	<b>WARNING— CRUSHING HAZARD</b> Keep hands away from wedge, end plate, partly split wood and moving parts.
	<b>BYSTANDARDS</b> Keep bystanders, helpers and children at least 10 feet away.
	<b>SINGLE OPERATOR</b> Only one person should operate the machine at a time. The adult who loads and holds log must be the one who operates control handle.
	<b>WARNING— PRESSURIZED FLUID</b> Never check for hose leaks with your hands. High pressure fluid can escape through a pin hole leak and cause serious injury by puncturing the skin and causing blood poisoning.
	<b>EYE PROTECTION</b> Always wear safety glasses or safety goggles when operating this machine.
	<b>WARNING— MOVING WEDGE</b> Keep hands away from wedge and moving parts.



**WARNING:** Your Responsibility—Restrict the use of this power machine to persons who read, understand and follow the warnings and instructions in this manual and on the machine.

**SAVE THESE INSTRUCTIONS!**

## Contents of Carton

- One Log Splitter
- One Engine Operator's Manual
- One Tongue Assembly
- One Tail Light Kit (If equipped)
- One Operator's Manual

**NOTE:** This Operator's Manual covers several models. Log splitter features may vary by model. Not all features in this manual are applicable to all log splitter models and the log splitter depicted may differ from yours.



**WARNING!** Use extreme caution unpacking this machine. Some components are very heavy and will require additional people or mechanical handling equipment.

**NOTE:** All references in this manual to the left or right side of the log splitter are from the operating position only. Exceptions, if any, will be specified.

## Assembly

### Attaching the Jack Stand

The jack stand is shipped in the transport position.

1. Remove the spring clip and clevis pin, then pivot the jack stand towards the ground to the operating position.
2. Secure the jack stand in position with the clevis pin and spring clip. See Fig. 3-1.

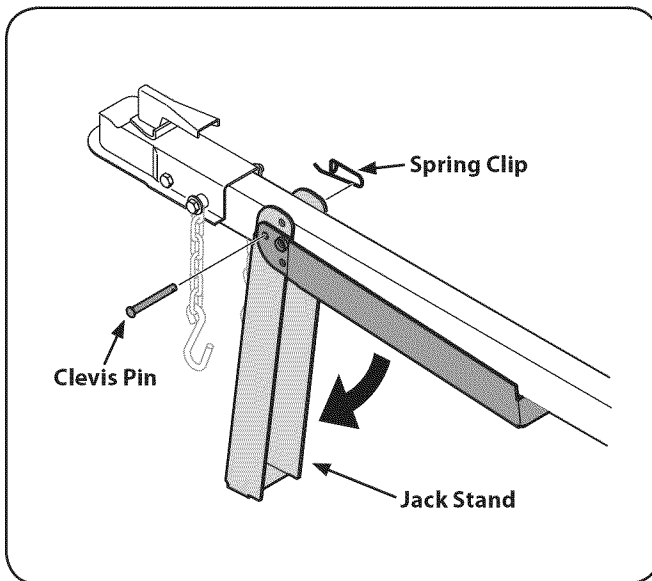


Figure 3-1

### Attaching the Tongue

1. With the log splitter still standing upright, remove the two hex bolts and hex nuts from the tank bracket. See Fig. 3-2.

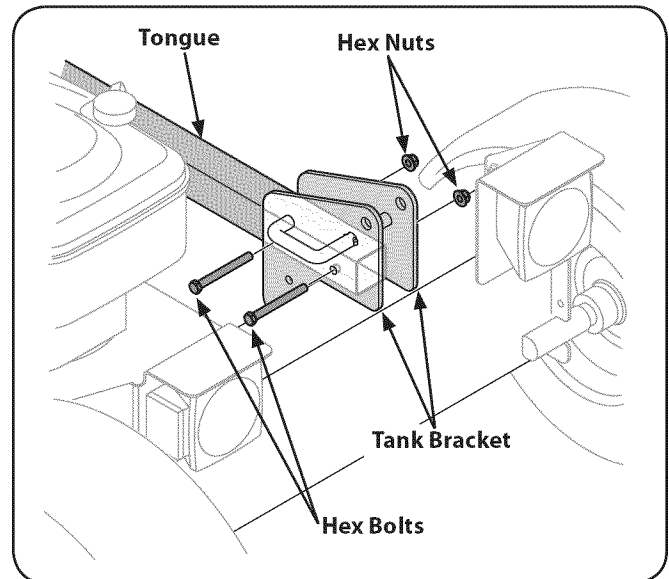


Figure 3-2

2. Align the holes in the tongue with the holes in the tank bracket and secure with the hardware just removed. See Fig. 3-2.

**NOTE:** The high pressure hose, which runs from the gear pump the bottom of the control valve, must be above the tongue assembly. See Section 8 (Illustrated Parts List) if you are unsure of which hose is the high pressure hose.

## Connecting Cylinder to Beam

The log splitter is shipped with the beam in the vertical position.

1. Pull out the vertical beam lock, rotate it back, and pivot the beam into the horizontal position until it locks. See Fig. 3-3.

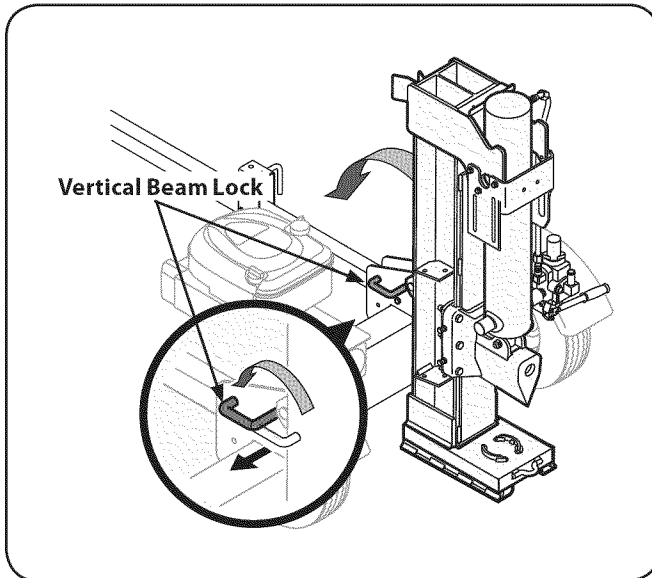


Figure 3-3

2. Disconnect the dislodge from the beam weld bracket by removing the six hex screws. See Fig. 3-4.

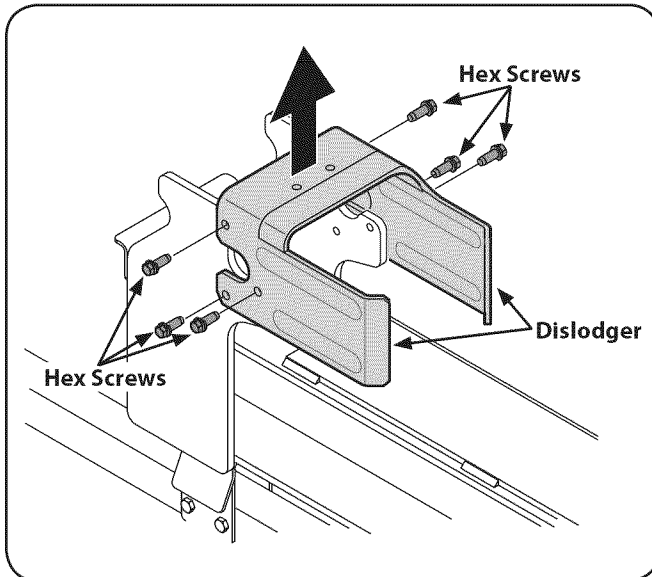


Figure 3-4

3. Disconnect the log cradle from the beam on the side of the control valve. See Fig. 3-5.

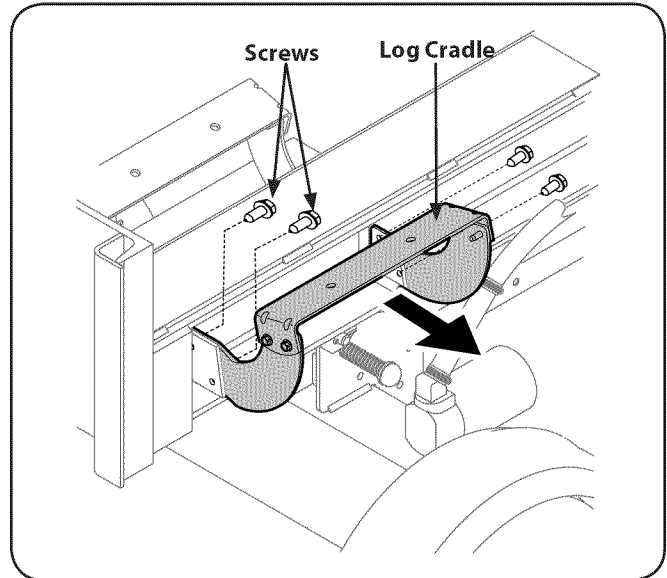


Figure 3-5

4. Lift and slide the cylinder up to the top of the beam and into the weld brackets. See Fig. 3-6.

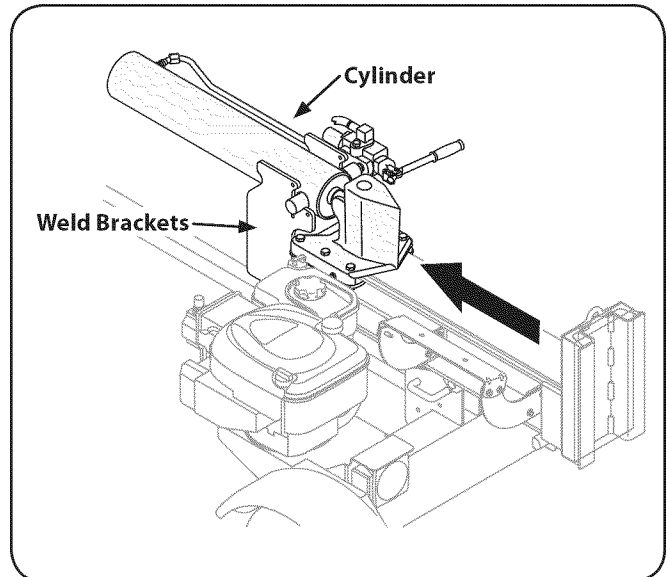


Figure 3-6

5. Attach the dislodge over the wedge assembly and secure it with the previously removed hardware to the weld brackets.

**NOTE:** Once the six hex screws are tightened, there may be a slight gap between the dislodge and the weld brackets. This gap is normal.

6. Reattach the log cradle to the side of the beam with the control valve, aligning the ends of the cradle with the beam flanges.
7. Roll the log splitter off the bottom crate.



## Tail Light Installation (If equipped)

The mounting brackets for the tail light are installed. Refer to the installation sheet included with the tail light kit to mount the lights and route the harness.

## Set-Up

### Gas and Oil Fill-Up

Service the engine with gasoline and oil as instructed in the engine manual packed with your log splitter. Read the instructions carefully.



**WARNING!** Use extreme care when handling gasoline. Gasoline is extremely flammable and the vapors are explosive. Never fuel the machine indoors or while the engine is hot or running.

**NOTE:** Your log splitter may be shipped with motor oil in the engine. You **MUST** check the oil level before operating. Be careful not to overfill. Gasoline can be added to the engine when the log splitter is in either the horizontal or vertical position. However, there are less obstructions when the splitter is in the vertical position.

### Preparing the Log Splitter

1. Lubricate the beam area (where the splitting wedge will slide) with engine oil. Do not use grease.
2. Remove the vented reservoir dipstick, which is located in front of the engine on top of the reservoir tank. See Fig. 3-7.

**NOTE:** The log splitter is filled to the proper operating level from the manufacturer with Shell Tellus® 32 Hydraulic Fluid. However, you **MUST** check the fluid level before operating. If not filled, proceed with the following steps:



**WARNING!** Much of the original fluid has been drawn into the cylinder and hoses. Make certain to refill the reservoir to prevent damage to the hydraulic pump.

3. Check the fluid level using the dipstick. See Fig. 3-7. Do not overfill.

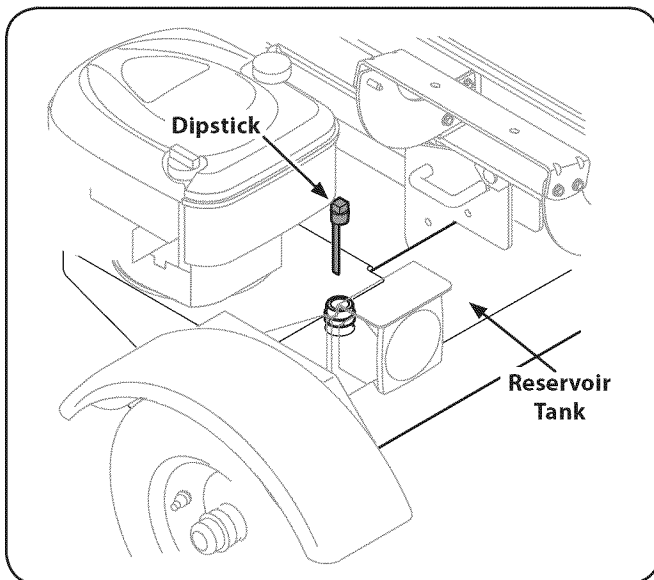


Figure 3-7

4. Replace the vented dipstick securely, tightening it until the top of the threads are flush with the top of the pipe.
5. Disconnect the spark plug and prime the pump by pulling the recoil starter as far as it will go. Repeat approximately 10 times.
6. Reconnect the spark plug wire and start the engine following the instructions in the Operation Section.
7. Use the control handle to engage the wedge to the farthest extended position. Then retract the wedge.
8. If necessary, refill the tank as specified on the dipstick.

**NOTE:** Approved fluids include Dexron® III / Mercon® automatic transmission fluid, Pro-Mix™ AW-32 Hydraulic Oil or a 10 Weight AW hydraulic oil. It is not recommended that fluids be mixed, so to top off the reservoir tank use Shell Tellus® 32 Hydraulic Fluid.

**NOTE:** Failure to refill the tank will void the splitter's warranty.

9. Extend and retract the wedge 12 complete cycles to remove any trapped air in the system (the system is "self-bleeding").
10. Refill the reservoir within the range marked on the dipstick.

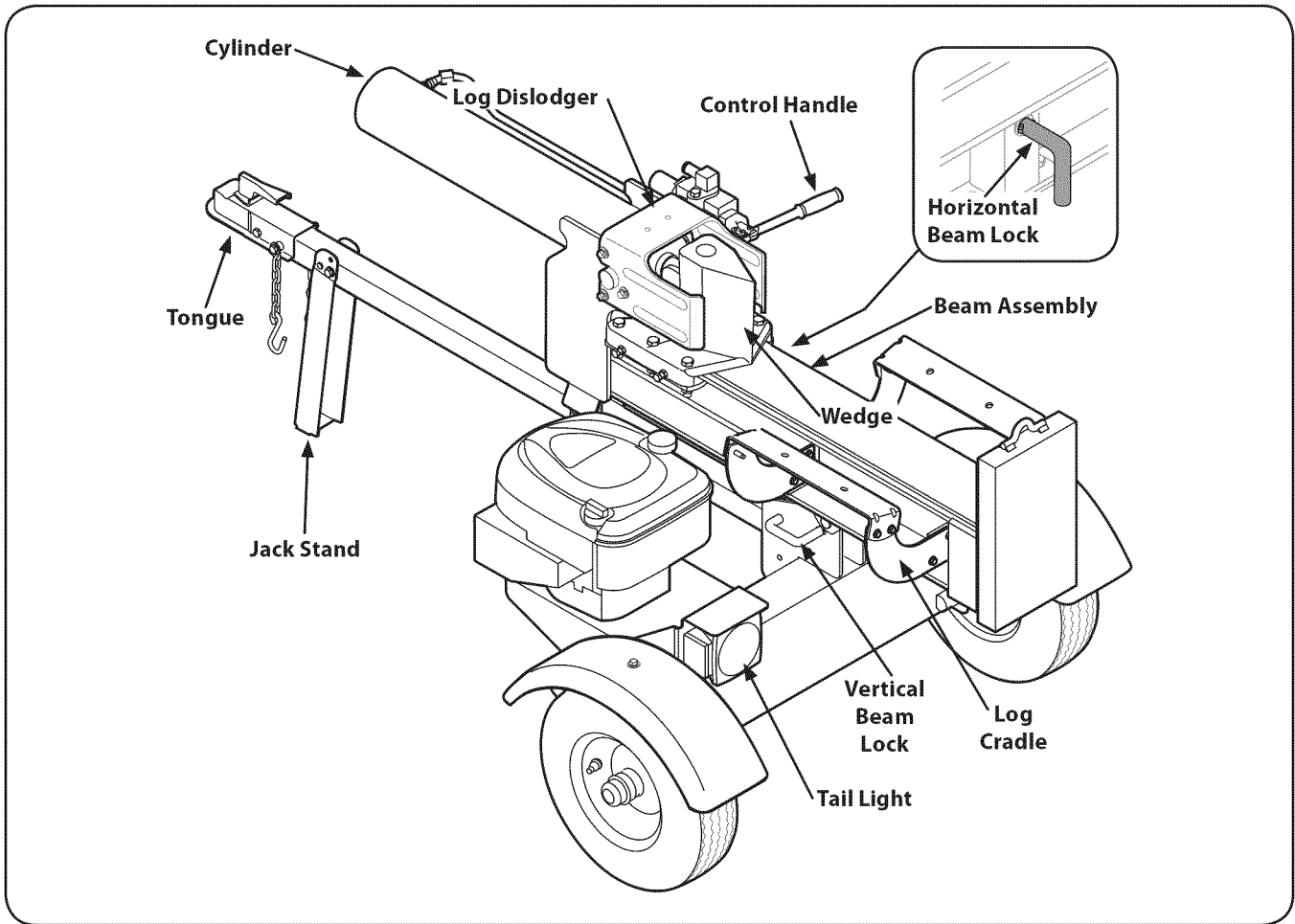
**NOTE:** Some fluid may overflow from the vent plug as the system builds heat and the fluid expands and seeks a balanced level.

### Tire Pressure

The max recommended operating pressure is 30 psi. Do not, under any circumstances, exceed the manufacturer's recommended psi. Maintain equal pressure on all tires.



**WARNING!** Excessive pressure when seating beads may cause the tire/rim assembly to burst with force sufficient to cause serious injury.



**Figure 4-1**

**NOTE:** This Operator's Manual covers several models. Log splitter features may vary by model. Not all features in this manual are applicable to all log splitter models and the log splitter depicted may differ from yours.

## Engine Controls

See the Engine Operator's Manual for the location and function of the controls on the engine.

## Beam Locks

These two locks are used to secure the beam in the horizontal or vertical position. The vertical beam lock is located next to the oil filter. The horizontal beam lock is located on the beam support latch bracket.

## Control Handle

The control handle has three positions; Forward, Neutral and Reverse. See the Operation Section for instructions.

## Wedge

The wedge is used to split the wood.

## Tail Light (If equipped)

The tail light's are located on the back of the frame for transportation and towing purposes.



**WARNING!** Do not tow faster than 45mph and check the local, state, and federal requirements before towing on any public road.

## Log Dislodger

The log dislodger is designed to remove any partially split wood from the wedge. This may occur while splitting large diameter wood or freshly cut wood.

## Control Handle

The Control Handle is used to move the wedge up and down to split wood.

## Tongue

The tongue is used to attach to a towing vehicle for transportation.

## Starting the Engine



**WARNING!** Read, understand and follow all instructions and warnings on the machine and in this manual before operating.



**WARNING!** Wear leather work gloves, safety shoes, and safety glasses when operating a log splitter. Ensure safe footing.

### Before Each Use

1. With the spark plug wire disconnected, remove the dipstick and check the hydraulic fluid level. Refill if necessary. Approved fluids include Shell Tellus® 32 Hydraulic Fluid, Dexron® III / Mercon® automatic transmission fluid, Pro-Select™ AW-32 Hydraulic Oil or 10WAW-ISO viscosity grade 32 hydraulic oil. Check the engine oil level. Refill if necessary.
2. Fill up the gasoline if necessary.
3. Lubricate the beam area where the splitting wedge will slide with engine oil. Do not use grease to lubricate. Make sure to lubricate both the front and back of the beam face.
4. Attach the spark plug wire to the spark plug.

### Starting Engine

1. Attach the spark plug wire to the spark plug. Make certain the metal cap on the end of the spark plug wire is fastened securely over the metal tip of the spark plug.
2. Turn the fuel valve or the engine switch (if equipped) to the ON position.
3. Move the choke control (if equipped) to the CHOKE position.
4. If the engine is equipped with a primer, follow the instructions in the Engine Operator's Manual to prime it.
5. Turn the throttle control (if equipped) to the FAST position.
6. Grasp the starter handle and pull the rope out slowly until the engine reaches the start of the compression cycle (the rope will pull slightly harder at this point).
7. Pull the rope with a rapid, full arm stroke. Keep a firm grip on the starter handle and let the rope rewind slowly. Repeat until the engine cranks.
8. After the engine starts, move the choke control (if equipped) to the OFF position. Place the throttle lever at the desired speed.
9. In cold weather, run the wedge up or down the beam 6 to 8 times to circulate the hydraulic fluid.



**WARNING!** When starting a warm engine, the muffler and surrounding areas are hot and can cause a burn. Do not touch these areas.

## Stopping the Engine

1. Move the throttle control (if equipped) to the STOP or OFF position.
2. Turn off the engine switch, if so equipped.

## Using the Log Splitter

1. Place the log splitter on dry level ground and shut off the engine.
2. Block the front and back of both wheels.
3. Place the beam in either the horizontal or vertical position and lock in place with the appropriate locking rod.
 

**NOTE:** Take extra care when raising and lowering the beam as it is fairly heavy. Be sure to keep hands away from any possible pinch points.
4. To place the beam in the Vertical Position proceed as follows:
  - a. Pull the horizontal beam lock out to release the beam and pivot the beam to the vertical position.
  - b. To lock the beam in the vertical position, pull out on the vertical beam lock and rotate it to secure the beam. See Fig. 5-1.

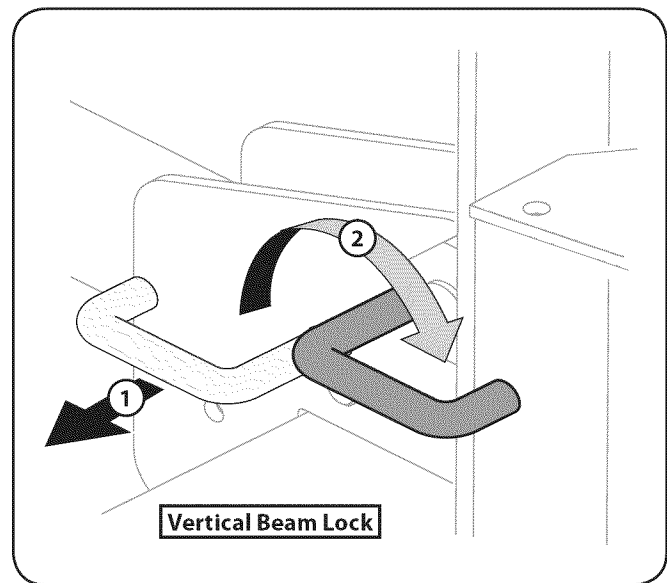


Figure 5-1

- c. Stand in front of the log splitter to operate the control handle and to stabilize the log. See Fig. 5-2.

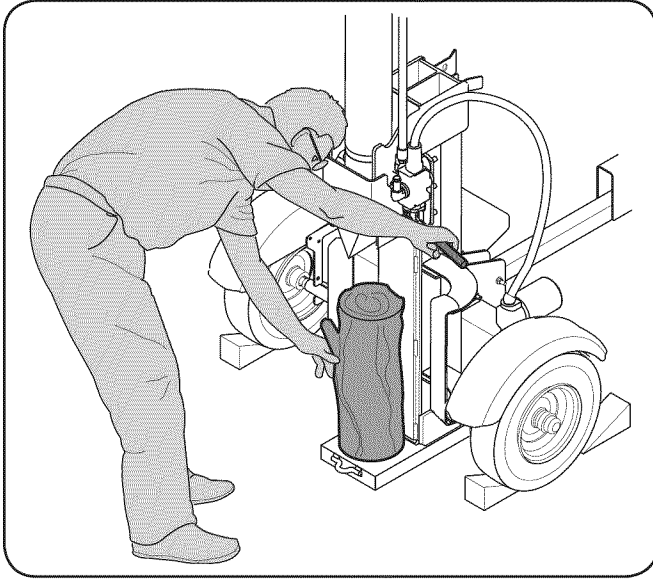


Figure 5-2

4. To place the beam in the Horizontal Position proceed as follows:
  - a. Pull the vertical beam lock out and rotate it down. Pivot the beam to the horizontal position.
  - b. The horizontal beam lock is self-locking. The spring loaded lock will snap into place when the beam is lowered into position. See Fig. 5-3.

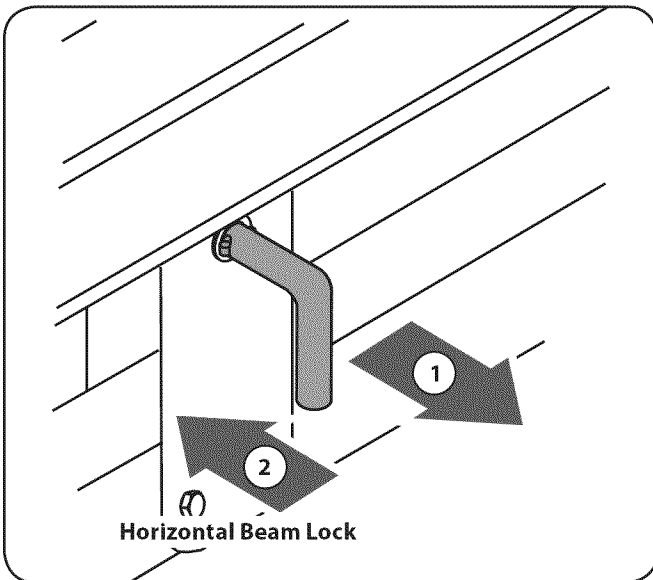


Figure 5-3

- c. Stand behind the reservoir tank to operate the control handle and to stabilize the log. See Fig. 5-4.

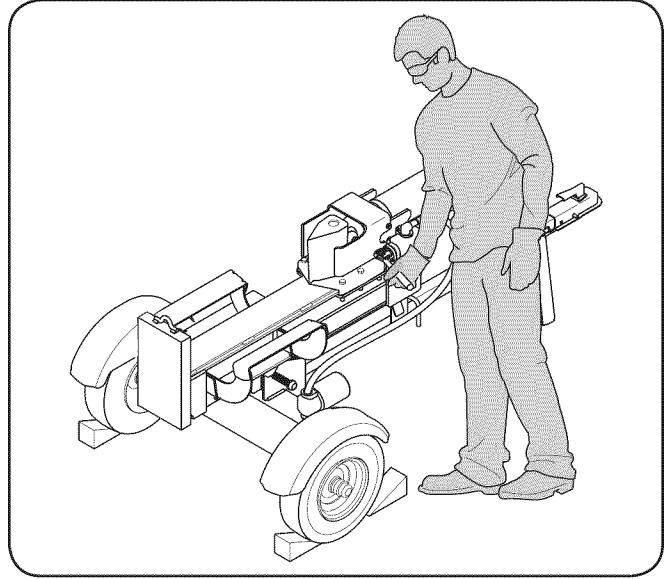


Figure 5-4

4. Place the log against the end plate and only split the wood in the direction of the grain.
5. To stabilize the log, place your hand only on the sides of the log.



**WARNING!** Never place a hand on the end between the log and the splitting wedge.

6. Only one adult should stabilize the log and operate the control handle, so the operator has full control over the log and the splitting wedge.
7. Move the control handle FORWARD or DOWN to split the wood.
8. Release the control handle to stop the wedge movement.
9. Move the control handle BACK or UP to return the wedge.
10. To remove partially split wood from wedge, move the control handle to the REVERSE position until the wedge is fully retracted to allow split wood portion to contact the log dislodger.



**WARNING!** Never remove partially split wood from the wedge with your hands. Fingers may become trapped between the split wood.

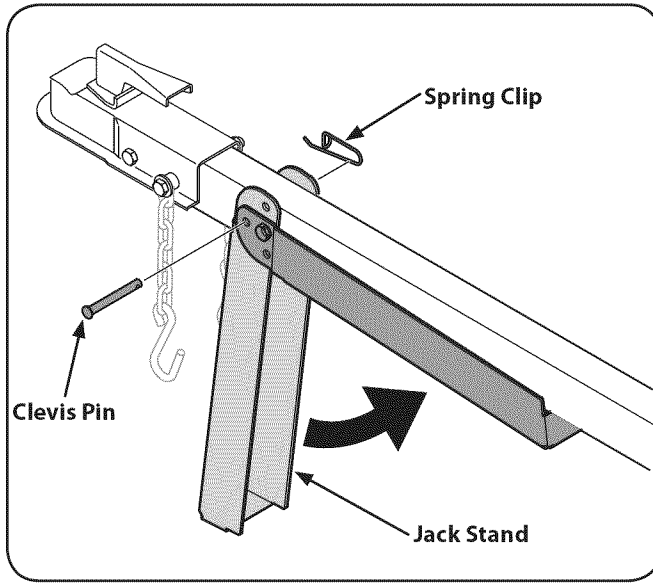
11. Once removed from the wedge with the log dislodger, split the wood from the opposite end or in another location.

### Transporting the Log Splitter

**NOTE:** Always turn the fuel valve to the OFF position before transporting the log splitter.

1. Lower the beam to its horizontal position. Make certain the beam is locked securely with the horizontal beam lock.
2. Remove the spring clip and clevis pin from the jack stand.
3. Support the tongue and pivot the jack stand up against the tongue. See Fig. 5-5.

4. Secure with the spring clip and clevis pin previously removed. See Fig. 5-5.



**Figure 5-5**

5. Attach the coupler hitch to a class I or higher 2" ball on a towing vehicle; latch securely.
  - a. If the coupler hitch does not fit on the ball: Turn the adjustment nut one turn counter-clockwise.
  - b. If the coupler hitch is too loose on the ball: Turn the adjustment nut one turn clockwise. Then recheck and adjust accordingly.
6. Connect the safety chains to the towing vehicle.
7. Plug in the tail lights, if equipped, to the tail light connector on the towing vehicle.



**WARNING!** Do not tow faster than 45mph and check the local, state, and federal requirements before towing on any public road.

**NOTE:** Use caution when backing up. Using a spotter outside the vehicle is recommended.

## Operating Tips

### Always:

1. Use clean fluid and check the fluid level regularly.
2. Use an approved hydraulic fluid. Approved fluids include Shell Tellus® 32 Hydraulic Fluid, Dexron® III / Mercon® automatic transmission fluid, Pro-Select™ AW-32 Hydraulic Oil or 10WAW-ISO viscosity grade 32 hydraulic oil.
 

**NOTE:** It is not recommended that fluids be mixed.
3. Use a filter (clean or replace regularly).
4. Use a breather cap on the fluid reservoir.
5. Make sure the pump is mounted and aligned properly.
6. Use a flexible "spider" type coupling between the engine and pump drive shafts.
7. Keep the hoses clear and unblocked.
8. Bleed the air out of the hoses before operating.
9. Flush and clean the hydraulic system before restarting after servicing.
10. Use "pipe dope" on all hydraulic fittings.
11. Allow time for the engine to warm-up before splitting wood.
12. Prime the pump before the initial start-up by turning over the engine with the spark plug disconnected (if not already done at factory).
13. Split the wood along the grain (lengthwise) only.

### Never:

1. Use when fluid is below 20° F or above 150° F.
2. Use a solid engine /pump coupling.
3. Operate through relief valve for more than 5 seconds.
4. Attempt to adjust unloading or relief valve settings without pressure gauges.
5. Operate with air in hydraulic system.
6. Use Teflon tape on hydraulic fittings.
7. Attempt to cut wood across the grain.
8. Attempt to remove partially split wood from the wedge with your hands. Fully retract wedge to dislodge wood with log dislodger.



**WARNING!** Do not make any adjustments without first stopping the engine, disconnecting the spark plug wire and grounding it against the engine. Always wear safety glasses during operation or while performing any adjustments or repairs.

## Maintenance

### Engine

Refer to the Engine Operator's Manual packed with your log splitter for all engine maintenance.

### Tire Pressure

The max recommended operating pressure is 30 psi. Do not, under any circumstances, exceed the manufacturer's recommended psi. Maintain equal pressure on all tires.



**WARNING!** Excessive pressure when seating beads may cause the tire/rim assembly to burst with force sufficient to cause serious injury. Refer to the sidewall of the tire for the recommended pressure.

### Hose Clamps

- Check the hose clamps on the suction hose (attached to the side of the pump) to ensure they are tight before each use. Check the hose clamps on the return hose at least once a season.

### Hydraulic Filter

Change the hydraulic filter every 50 hours of operation. Use only a 10 micron hydraulic filter. Order part number 723-0405.

### Flexible Pump Coupler

The flexible pump coupler is a nylon "spider" insert, located between the pump and the engine shaft. Over time, the coupler will harden and deteriorate. If you detect vibration or noise coming from the area between the engine and the pump contact an authorized service dealer. If the coupler fails completely, you will experience a loss of power.

### Hydraulic Fluid

Check the hydraulic fluid level in the log splitter reservoir tank before each use. Maintain the fluid level within the range specified on the dipstick at all times.

Change the hydraulic fluid in the reservoir every 100 hours of operation. Follow the steps below:

1. Disconnect the suction hose from the bottom of the reservoir tank.

2. Carefully unthread the inlet filter and clean it with penetrating oil. See Fig. 6-1.

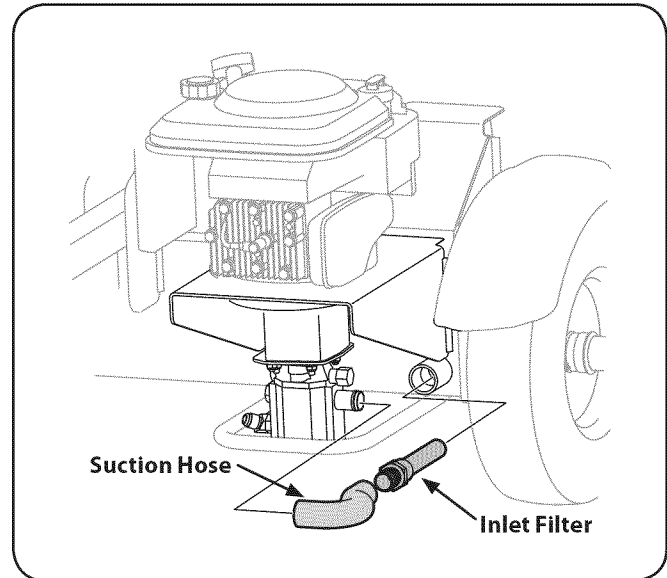


Figure 6-1

3. Allow the fluid to drain into a suitable container.  
**NOTE:** The reservoir tank has a capacity of 3 gallons and the entire hydraulic system has a capacity of approximately 4.7 gallons.
4. Check the fluid level using the dipstick. Do not overfill.  
**NOTE:** Approved fluids include Shell Tellus® 32 Hydraulic Fluid, Dexron® III / Mercon® automatic transmission fluid, Pro-Select™ AW-32 Hydraulic Oil or 10WAW-ISO viscosity grade 32 hydraulic oil. It is not recommended that fluids be mixed.
5. Replace the vented dipstick securely, tightening it until the top of the threads are flush with top of the pipe.
6. Disconnect the spark plug and prime the pump by pulling the recoil starter as far as it will go. Repeat approximately 10 times.
7. Reconnect the spark plug wire and start the engine following the instructions in the Operation Section.
8. Use the control handle to engage the wedge to the farthest extended position. Then retract the wedge.

- Refill the reservoir within range marked on the dipstick. See Fig. 6-2.

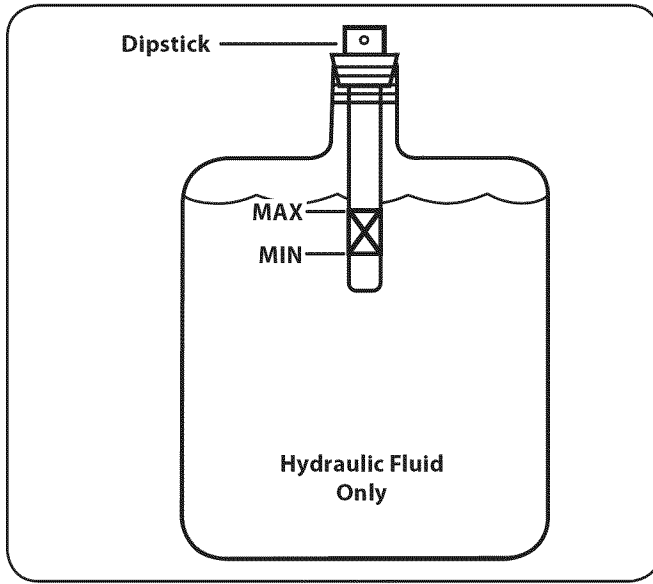


Figure 6-2

- Extend and retract the wedge 12 complete cycles to remove trapped air in the system (the system is “self-bleeding”).



**WARNING!** Much of the original fluid has been drawn into the cylinder and hoses. Make certain to refill the reservoir to prevent damage to the hydraulic pump. Failure to refill the tank will void the log splitter’s warranty.

**NOTE:** Some fluid may overflow from the vent plug as the system builds heat and the fluid expands and seeks a balanced level. Do not operate the log splitter without the proper amount of transmission fluid in the reservoir tank.

Maintain the fluid level within the range specified on the dipstick at all times. When checking the fluid, always make sure to tighten the dipstick until the top of the threads are flush with the top of the pipe.

**NOTE:** Always dispose of any used hydraulic fluid and engine oil at approved recycling centers only.

Contaminants in the fluid may damage the hydraulic components. Flushing the reservoir tank and hoses with kerosene whenever service is performed on the tank, hydraulic pump or valve is recommended. Contact an authorized service dealer.

### Beam and Splitting Wedge

- Lubricate top, sides and bottom of the beam and where it comes into contact with the splitting wedge with engine oil before each use.
- Make certain to readjust the adjustment bolts so that the wedge moves freely, but no excess space exists between the wedge plate and the beam.

## Adjustments

### Gib Adjustment

Periodically remove and replace the gibs — spacers — between the wedge assembly and the back plate.

**NOTE:** The gibs may be rotated and/or turned over for even wear.

- Loosen the lock nuts under each back plate and slide the gibs out. See Fig. 6-3.

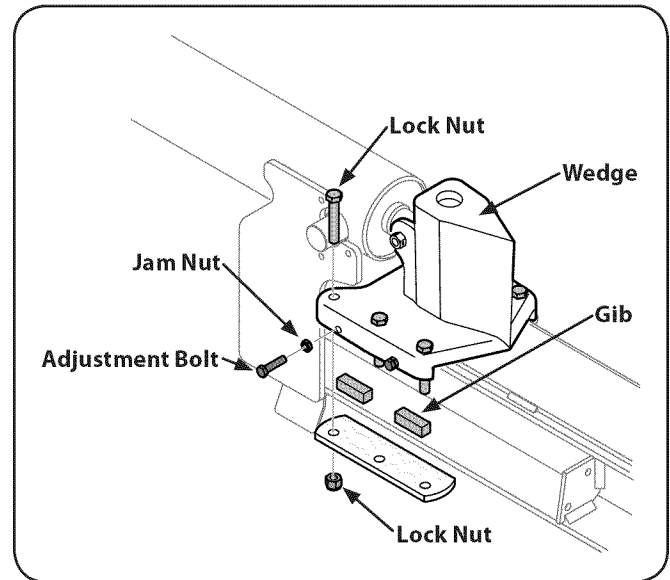


Figure 6-3

- Turn or replace the gibs.
- Reassemble the back plate and secure it with lock nuts.
- Readjust the bolts on the side of the wedge assembly.

### Raising and Lowering the Beam

Use the control handle to run the wedge up and down the beam 6-8 times to circulate the hydraulic fluid, which will warm and thin the fluid. Place the log splitter on a firm, level surface.

To raise the beam for vertical operation:

- Pull out the horizontal beam lock on the tongue.
- Pivot beam lock down to release the beam.
- Move the beam to the vertical position. Secure it with the beam lock on the reservoir tank assembly.



**WARNING!** Always use the log splitter in the vertical position when splitting heavy logs.

To lower the beam:

- Pull out the vertical beam lock on the reservoir tank.
- Pivot beam lock down to release the beam.
- Carefully pull back on the beam and lower it to the horizontal position. The horizontal beam lock will lock automatically.

## Wedge Assembly

As normal wear occurs and there is excessive “play” between the wedge and beam, adjust the bolts on the side of the wedge assembly to eliminate excess space between the wedge and the beam.

1. Loosen the jam nuts on the two adjustment bolts on the side of the wedge. See Fig. 6-3.
2. Turn the adjustment bolts in until snug and then back them off slowly (approximately 1-½ turns) until the wedge assembly will slide on the beam.
3. Re-tighten the jam nuts securely against the side of the wedge to secure the adjustment bolts in this position.

## Off-Season Storage

If the log splitter will not be used for more than 30 days, prepare it for storage as follows:



**WARNING!** Never store the machine with fuel in the fuel tank inside of building where fumes may reach an open flame or spark, or where ignition sources are present such as hot water and space heaters, furnaces, clothes dryers, stoves, electric motors, etc.

1. Clean the log splitter thoroughly.  
**NOTE:** The use of pressure washers or a garden hose to clean the splitter is not recommended. They may cause damage to the bearings or the engine. The use of water will result in a shortened life and reduce serviceability.
2. Wipe the machine with an oiled rag to prevent rust, especially on the wedge and the beam.
3. Drain the fuel tank. Always drain the fuel into an approved container outdoors and away from open flames. Be sure that the engine is cool before draining the fuel. Do not smoke while handling the fuel.
4. Start the engine and let it run until the fuel lines and carburetor are empty.
5. Remove the spark plug. Holding a rag over the cylinder hole, pour approximately ½-ounce (approximately one tablespoon) of engine oil into the cylinder and crank slowly to distribute the oil.
6. Replace the spark plug.
7. Do not store gasoline from one season to another.
8. Replace your gasoline can if it starts to rust. Rust and/or dirt in the gasoline will cause problems.
9. Store the log splitter in a clean, dry area. Do not store it next to corrosive materials, such as fertilizer.

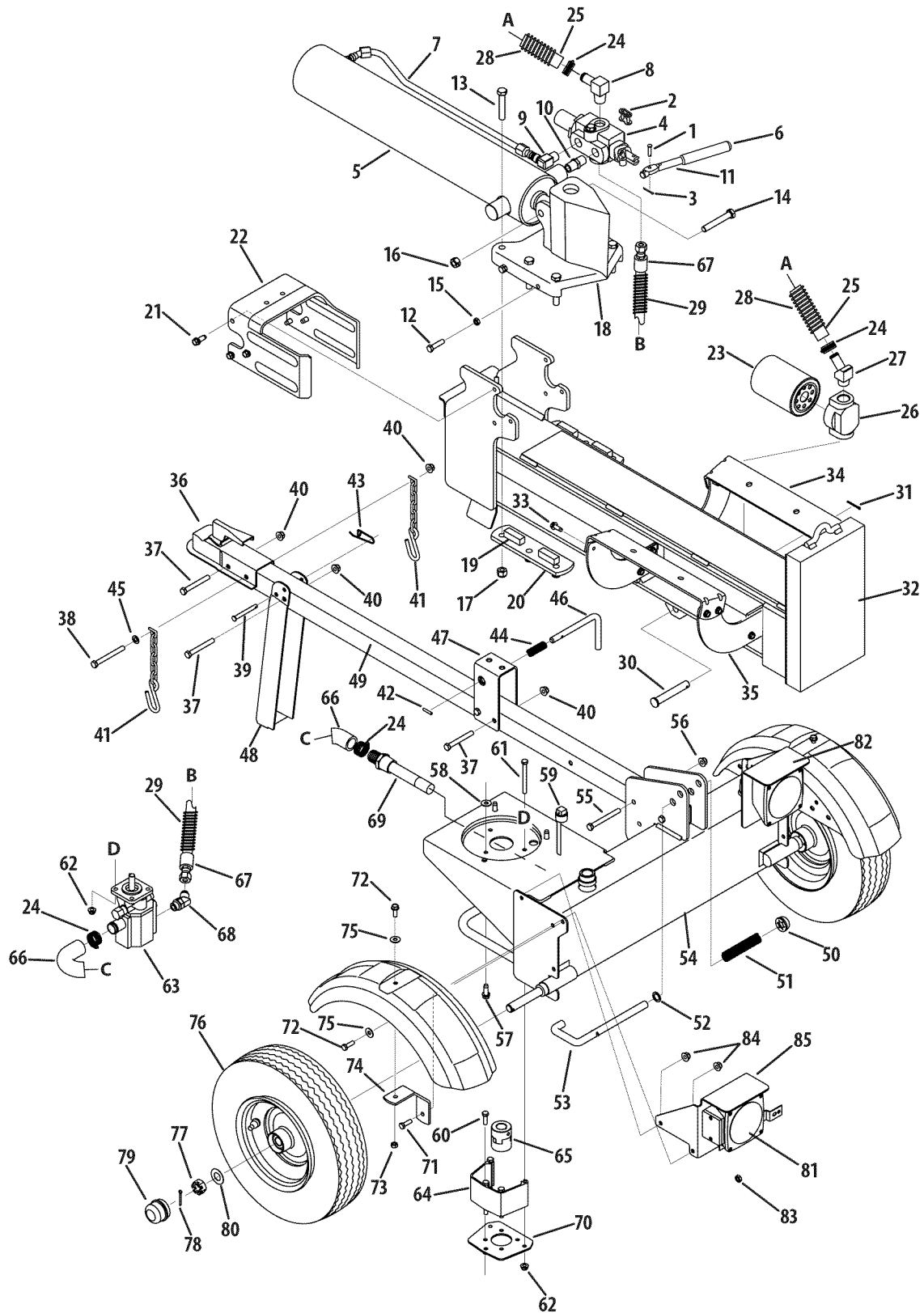
**NOTE:** If storing in an unventilated or metal storage shed, be certain to rustproof the equipment by coating it with a light oil or silicone.





Problem	Cause	Remedy
Engine fails to start	<ol style="list-style-type: none"> <li>1. Spark plug wire disconnected.</li> <li>2. Fuel tank empty or stale fuel.</li> <li>3. Choke not in CHOKE position.</li> <li>4. Faulty spark plug.</li> <li>5. Blocked fuel line.</li> <li>6. Throttle control lever not in correct starting position.</li> </ol>	<ol style="list-style-type: none"> <li>1. Connect wire to spark plug.</li> <li>2. Fill tank with clean, fresh gasoline.</li> <li>3. Move choke to CHOKE position.</li> <li>4. Clean, adjust gap, or replace.</li> <li>5. Clean fuel line.</li> <li>6. Move throttle lever to FAST position.</li> </ol>
Engine runs erratic	<ol style="list-style-type: none"> <li>1. Log Splitter running with CHOKE applied.</li> <li>2. Spark plug wire loose.</li> <li>3. Blocked fuel line or stale fuel.</li> <li>4. Water or dirt in fuel system.</li> <li>5. Dirty air cleaner.</li> <li>6. Carburetor not adjusted properly.</li> </ol>	<ol style="list-style-type: none"> <li>1. Move choke lever to OFF position.</li> <li>2. Connect and tighten spark plug wire.</li> <li>3. Clean fuel line; fill tank with clean, fresh gasoline.</li> <li>4. Drain fuel tank. Refill with fresh fuel.</li> <li>5. Clean or replace air cleaner.</li> <li>6. See authorized service dealer.</li> </ol>
Engine Overheats	<ol style="list-style-type: none"> <li>1. Engine oil level low.</li> <li>2. Dirty air cleaner.</li> <li>3. Carburetor not adjusted properly.</li> </ol>	<ol style="list-style-type: none"> <li>1. Fill crankcase with proper oil.</li> <li>2. Clean or replace air cleaner.</li> <li>3. See authorized service dealer.</li> </ol>
Cylinder rod will not move	<ol style="list-style-type: none"> <li>1. Broken drive shaft.</li> <li>2. Shipping plugs left in hydraulic hoses.</li> <li>3. Set screws in coupling not adjusted properly.</li> <li>4. Loose shaft coupling.</li> <li>5. Gear sections damaged.</li> <li>6. Damaged relief valve.</li> <li>7. Hydraulic lines blocked.</li> <li>8. Incorrect oil level.</li> <li>9. Damaged directional valve.</li> <li>10. Blocked directional valve.</li> </ol>	<ol style="list-style-type: none"> <li>1. See authorized service dealer.</li> <li>2. Disconnect hydraulic hoses, remove shipping plugs, reconnect hoses.</li> <li>3. See authorized service dealer.</li> <li>4. Correct engine/pump alignment as necessary.</li> <li>5. See authorized service dealer.</li> <li>6. See authorized service dealer.</li> <li>7. Flush and clean hydraulic system.</li> <li>8. Check oil level.</li> <li>9. See authorized service dealer.</li> <li>10. Flush and clean hydraulic system</li> </ol>

Problem	Cause	Remedy
Slow cylinder shaft speed while extending and retracting	<ol style="list-style-type: none"> <li>1. Gear sections damaged.</li> <li>2. Excessive pump inlet vacuum.</li> <li>3. Slow engine speed.</li> <li>4. Damaged relief valve.</li> <li>5. Incorrect oil level.</li> <li>6. Contaminated oil.</li> <li>7. Directional valve leaking internally.</li> <li>8. Internally damaged cylinder.</li> </ol>	<ol style="list-style-type: none"> <li>1. See authorized service dealer.</li> <li>2. Make certain pump inlet hoses are clear and unblocked-use short, large diameter inlet hoses.</li> <li>3. See authorized service dealer.</li> <li>4. See authorized service dealer.</li> <li>5. Check oil level.</li> <li>6. Drain oil, clean reservoir and refill.</li> <li>7. See authorized service dealer.</li> <li>8. See authorized service dealer</li> </ol>
Leaking Cylinder	<ol style="list-style-type: none"> <li>1. Broken seals.</li> <li>2. Scored cylinder.</li> </ol>	<ol style="list-style-type: none"> <li>1. See authorized service dealer.</li> <li>2. See authorized service dealer.</li> </ol>
Engine runs but wood will not split or wood splits too slowly	<ol style="list-style-type: none"> <li>1. Small gear section damaged.</li> <li>2. Pump check valve leaking.</li> <li>3. Excessive pump inlet vacuum.</li> <li>4. Incorrect oil level.</li> <li>5. Contaminated oil.</li> <li>6. Directional valve leaking internally.</li> <li>7. Overloaded cylinder.</li> <li>8. Internally damaged cylinder.</li> </ol>	<ol style="list-style-type: none"> <li>1. See authorized service dealer.</li> <li>2. See authorized service dealer.</li> <li>3. Make certain pump inlet hoses are clear and unblocked.</li> <li>4. Check oil level.</li> <li>5. Drain oil, clean reservoir and refill.</li> <li>6. See authorized service dealer.</li> <li>7. Do not attempt to split wood against the grain.</li> <li>8. See authorized service dealer.</li> </ol>
Engine stalls during splitting	<ol style="list-style-type: none"> <li>1. Low horsepower/weak engine.</li> <li>2. Overloaded cylinder.</li> </ol>	<ol style="list-style-type: none"> <li>1. See authorized service dealer.</li> <li>2. Do not attempt to split wood against the grain or see authorized service dealer.</li> </ol>
Engine will not turn or stalls under low load conditions	<ol style="list-style-type: none"> <li>1. Engine/pump misalignment.</li> <li>2. Frozen or seized pump.</li> <li>3. Low horsepower/weak engine.</li> <li>4. Hydraulic lines blocked.</li> <li>5. Blocked directional valve.</li> </ol>	<ol style="list-style-type: none"> <li>1. Correct alignment as necessary.</li> <li>2. See authorized service dealer.</li> <li>3. See authorized service dealer.</li> <li>4. Flush and clean hydraulic system.</li> <li>5. Flush and clean hydraulic system.</li> </ol>
Leaking pump shaft seal	<ol style="list-style-type: none"> <li>1. Broken drive shaft.</li> <li>2. Engine/pump misalignment.</li> <li>3. Gear sections damaged.</li> <li>4. Poorly positioned shaft seal.</li> <li>5. Plugged oil breather.</li> </ol>	<ol style="list-style-type: none"> <li>1. See authorized service dealer.</li> <li>2. Correct alignment as necessary.</li> <li>3. See authorized service dealer.</li> <li>4. See authorized service dealer.</li> <li>5. Make certain reservoir is properly vented.</li> </ol>



Ref	Part Number	Description
1	711-04585	Clevis Pin, .25 x 1.00
2	913-04036	Handle Valve Link
3	914-0111	Cotter Pin, 3/32 x 1.0
4	918-04533	Valve (510)
—	918-04534	Valve (550)
—	918-0481A	Valve (570)
5	918-0769A	Hydraulic Cylinder
6	720-04088	Grip
7	727-04166	Hydraulic Hose, 3/4-16
8	737-0153	Hydro Fitting, 90 x 3/4 x .75
9	737-0192	Hydro Fitting, 90 x 3/4 x 1/2
10	737-0238	Nipple Fitting, 1/2 x 1.89
11	747-04539	Hydraulic Valve Control
12	710-0459A	Hex Screw, 3/8-24 x 1.50
13	710-1018	Hex Screw, 1/2-20 x 2.75
14	710-1806	Hex Screw, 1/2-13 x 3.25
15	712-0711	Jam Nut, 3/8-24
16	712-3022	Hex Lock Nut, 1/2-13
17	912-3058	Hex Lock Nut, 1/2-20
18	719-0550A	Wedge
19	781-0351	Adjust Gibs, .625 x .625 x 2.00
20	781-0790-0637	Back Plate
21	710-0654A	Self-Tapping Screw, 3/8-16-1.000
22	781-1048A-0662	Dislodger Bracket — Gray
—	781-1048A-0638	Dislodger Bracket — Red
23	723-0405	Oil Filter
24	726-0132	Hose Clamp
25	727-0443	Return Hose
26	737-0316	Filter Housing
27	737-0312	Adapter, 3/4-14
28	781-0526A	Hose Guard (510/570)
29	781-0538A	Hose Guard (510/570)
30	711-1587	Clevis Pin, .625 x 4.0
31	914-0470	Cotter Pin, 1/8 x 1.25
32	681-04071A-0637	Beam Assembly
33	710-04484	Hex Washer Screw, 5/16-18 x .750
34	781-04179-0637	Log Tray Bracket
35	781-04180-0637	Log Tray Bracket

Ref	Part Number	Description
36	681-04030	Hitch Coupling Assembly
37	710-0521	Hex Screw, 3/8-16 x 3.00
38	710-3085	Hex Screw, 3/8 x 3.50
39	911-0813	Clevis Pin, 5/16 x 2.5
40	712-04065	Flange Lock Nut, 3/8-16
41	713-0433A	Tow Chain
42	915-0120	Spirol Pin, 3/16 x 1.00
43	732-0194	Spring Pin
44	932-3127	Compression Spring, .66 x 1.8
45	936-0185	Flat Washer, .375 x .738 x .063
46	747-1261	Tongue Latch Rod
47	781-1045-0662	Tongue Latch — Gray
—	781-1045-0638	Tongue Latch — Red
48	781-0789-0637	Jack Stand
49	781-0788-0662	Tongue Tube — Gray
—	781-0788-0638	Tongue Tube — Red
50	726-0214	Push Cap, 5/8
51	732-0583	Compression Spring, .625 x 4.0
52	936-0116	Flat Washer, .635 x .93 x .06
53	781-0690	Lock Rod
54	981-04040A-0637	Frame Assembly
55	710-3085	Hex Screw, 3/8-16 x 3.50
56	712-04065	Flange Lock Nut, 3/8-16
57	710-0502A	Self-Tapping Screw, 3/8-16 x 1.250
58	736-3010	Flat Washer, .407 x .812 x .135
59	737-0348A	Vented Dipstick
60	710-0376	Hex Screw, 5/16-18 x 1.00
61	710-3056	Hex Screw, 5/16-18 x 3.25
62	712-04063	Flange Lock Nut, 5/16-18
63	918-04127	Gear Pump
64	719-0353	Coupling Shield
65	917-0891	Flex Coupling
—	710-1842	Set Screw, 1/4-20 x .38
—	914-0122	Square Key, 3/16 x .75
—	718-04392	Coupling, .500
—	718-04395	Coupling, .875
—	735-04103	Spider Bushing
66	727-04130	Inlet Hose

Ref	Part Number	Description
67	727-0502	Rubber Hydro Hose
68	737-0329	Hydraulic Fitting, 45 x 3/4 x 3/4
69	737-04093	Inlet Filter
70	781-0097-0637	Rear Coupling Support Bracket
71	710-0602	Hex Washer Screw, 5/16-18 x 1.000
72	710-0650	Hex Washer Screw, 5/16-18 x .875
73	712-04063	Flange Lock Nut, 5/16-18
74	731-2496A	Fender (Black, 510/570)
—	731-2499A	Fender (Red, 550)
75	736-0371	Flat Washer, .343 x .880 x .062
76	634-0186	Complete Wheel Assembly
—	934-0180-0662	Wheel/Rim Assembly
—	921-0168	Dust Seal
—	941-0987	Roller Bearing
77	712-0359	Slotted Nut, 3/4-16
78	714-0162	Cotter Pin, 5/32 x 1.25
79	914-0474	Hub Cap
80	936-0351	Flat Washer, .760 x 1.50 x .030
81	625-0062	Light Assembly Kit (570)
82	681-0164-0637	LH Light Bracket (570)
83	912-3008	Jam Nut, 3/8-16 (570)
84	712-04063	Flange Lock Nut, 5/16-18 (570)
85	781-1027A-0637	RH Light Bracket (570)



# MANUFACTURER'S LIMITED WARRANTY FOR



The limited warranty set forth below is given by MTD LLC with respect to new merchandise purchased and used in the United States and/or its territories and possessions, and by MTD Products Limited with respect to new merchandise purchased and used in Canada and/or its territories and possessions (either entity respectively, "MTD").

"MTD" warrants this product (excluding its *Normal Wear Parts and Attachments* as described below) against defects in material and workmanship for a period of two (2) years commencing on the date of original purchase and will, at its option, repair or replace, free of charge, any part found to be defective in materials or workmanship. This limited warranty shall only apply if this product has been operated and maintained in accordance with the Operator's Manual furnished with the product, and has not been subject to misuse, abuse, commercial use, neglect, accident, improper maintenance, alteration, vandalism, theft, fire, water, or damage because of other peril or natural disaster. Damage resulting from the installation or use of any part, accessory or attachment not approved by MTD for use with the product(s) covered by this manual will void your warranty as to any resulting damage.

*Normal Wear Parts* are warranted to be free from defects in material and workmanship for a period of thirty (30) days from the date of purchase. Normal wear parts include, but are not limited to items such as: batteries, belts, blades, blade adapters, tines, grass bags, wheels, rider deck wheels, seats, snow thrower skid shoes, friction wheels, shave plates, auger spiral rubber and tires.

*Attachments* — MTD warrants attachments for this product against defects in material and workmanship for a period of one (1) year, commencing on the date of the attachment's original purchase or lease. Attachments include, but are not limited to items such as: grass collectors and mulch kits.

**HOW TO OBTAIN SERVICE:** Warranty service is available, WITH PROOF OF PURCHASE, through your local authorized service dealer. To locate the dealer in your area:

## In the U.S.A.

Check your Yellow Pages, or contact MTD LLC at P.O. Box 361131, Cleveland, Ohio 44136-0019, or call 1-800-800-7310, 1-330-220-4683 or log on to our Web site at [www.mtdproducts.com](http://www.mtdproducts.com).

## In Canada

Contact MTD Products Limited, Kitchener, ON N2G 4J1, or call 1-800-668-1238 or log on to our Web site at [www.mtdcanada.com](http://www.mtdcanada.com).

This limited warranty does **not** provide coverage in the following cases:

- The engine or component parts thereof. These items may carry a separate manufacturer's warranty. Refer to applicable manufacturer's warranty for terms and conditions.
- Log splitter pumps, valves, and cylinders have a separate one-year warranty.

- Routine maintenance items such as lubricants, filters, blade sharpening, tune-ups, brake adjustments, clutch adjustments, deck adjustments, and normal deterioration of the exterior finish due to use or exposure.
- Service completed by someone other than an authorized service dealer.
- MTD does not extend any warranty for products sold or exported outside of the United States and/or Canada, and their respective possessions and territories, except those sold through MTD's authorized channels of export distribution.
- Replacement parts that are not genuine MTD parts.
- Transportation charges and service calls.
- MTD does not warrant this product for commercial use.

**No implied warranty, including any implied warranty of merchantability of fitness for a particular purpose, applies after the applicable period of express written warranty above as to the parts as identified. No other express warranty, whether written or oral, except as mentioned above, given by any person or entity, including a dealer or retailer, with respect to any product, shall bind MTD. During the period of the warranty, the exclusive remedy is repair or replacement of the product as set forth above.**

**The provisions as set forth in this warranty provide the sole and exclusive remedy arising from the sale. MTD shall not be liable for incidental or consequential loss or damage including, without limitation, expenses incurred for substitute or replacement lawn care services or for rental expenses to temporarily replace a warranted product.**

Some states do not allow the exclusion or limitation of incidental or consequential damages, or limitations on how long an implied warranty lasts, so the above exclusions or limitations may not apply to you.

In no event shall recovery of any kind be greater than the amount of the purchase price of the product sold. **Alteration of safety features of the product shall void this warranty.** You assume the risk and liability for loss, damage, or injury to you and your property and/or to others and their property arising out of the misuse or inability to use the product.

This limited warranty shall not extend to anyone other than the original purchaser or to the person for whom it was purchased as a gift.

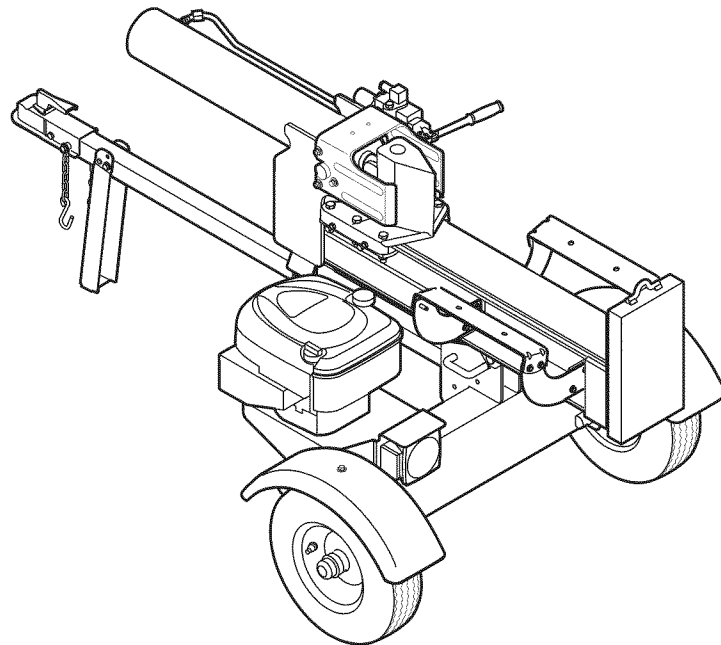
**HOW STATE LAW RELATES TO THIS WARRANTY:** This limited warranty gives you specific legal rights, and you may also have other rights which vary from state to state.

**IMPORTANT:** Owner must present Original Proof of Purchase to obtain warranty coverage.

**MTD LLC, P.O. BOX 361131 CLEVELAND, OHIO 44136-0019; Phone: 1-800-800-7310, 1-330-220-4683  
MTD Canada Limited - KITCHENER, ON N2G 4J1; Phone 1-800-668-1238**



# MANUAL DEL OPERADOR



## Máquina rompe troncos — Modelo de la serie 510 a través de 570

### **⚠ ADVERTENCIA**

**LEA Y RESPETE TODAS LAS NORMAS DE SEGURIDAD E INSTRUCCIONES INCLUIDAS EN ESTE MANUAL ANTES DE PONER EN FUNCIONAMIENTO ESTA MÁQUINA. SI NO RESPETA ESTAS INSTRUCCIONES PUEDE PROVOCAR LESIONES PERSONALES.**

MTD LLC, P.O. BOX 361131 CLEVELAND, OHIO 44136-0019

## Gracias

Gracias por comprar una máquina rompetroncos fabricada por MTD LLC. El mismo ha sido diseñado cuidadosamente para brindar excelente rendimiento si se lo opera y mantiene correctamente.

Por favor lea todo este manual antes de operar el equipo. Le indica cómo configurar, operar y mantener la máquina con seguridad y fácilmente. Por favor asegúrese de seguir cuidadosamente y en todo momento las prácticas de seguridad recomendadas y de hacérselas seguir a cualquier otra persona que opere la máquina. En caso de no hacerlo podrían producirse lesiones personales o daños materiales.

Toda la información contenida en este manual hace referencia a la más reciente información de producto disponible en el momento de la impresión. Revise el manual frecuentemente para familiarizarse con la máquina, sus características y funcionamiento. Por favor tenga en cuenta que este Manual del Operador puede cubrir una gama de especificaciones de productos de diferentes modelos. Las características y funciones incluidas y/o ilustradas en este manual pueden no ser aplicables

a todos los modelos. MTD LLC se reserva el derecho a modificar las especificaciones de los productos, los diseños y el equipo estándar sin previo aviso y sin generar responsabilidad por obligaciones de ningún tipo.

Si tiene algún problema o duda respecto a la máquina, llame a un distribuidor de servicio MTD autorizado o póngase en contacto directamente con nosotros. Los números de teléfono, dirección del sitio web y dirección postal de Asistencia al Cliente de MTD se encuentran en esta página. Queremos garantizar su entera satisfacción en todo momento.

En este manual, las referencias al lado *derecho* o *izquierdo* de la máquina se observan desde la posición del operador.

El fabricante del motor es el responsable de todas las cuestiones relacionadas con el rendimiento, potencia de salida, especificaciones, garantía y mantenimiento del motor. Para obtener mayor información consulte el Manual del Propietario / Operador entregado por el fabricante del motor, que se envía, en un paquete por separado, junto con su máquina.

## Índice

<b>Medidas importantes de seguridad</b> .....	<b>3</b>	<b>Mantenimiento y Ajustes</b> .....	<b>14</b>
<b>Montaje y Configuración</b> .....	<b>7</b>	<b>Solución de problemas</b> .....	<b>17</b>
<b>Controles y Características</b> .....	<b>10</b>	<b>Garantía</b> .....	<b>20</b>
<b>Funcionamiento</b> .....	<b>11</b>		

## Registro de información de producto

Antes de configurar y operar su equipo nuevo, por favor localice la placa de modelo en el equipo y registre la información en el área situada a la derecha. Puede ubicar la placa del modelo parándose en la posición del operador y mirando hacia la parte superior del depósito hacia la derecha de la varilla de nivel venteadada. Si tiene que solicitar soporte técnico a través de nuestro sitio web, el Departamento de Asistencia al Cliente, o de un distribuidor de servicio autorizado local, necesitará esta información.

### NÚMERO DE MODELO

--	--	--	--	--	--	--	--	--	--	--

### NÚMERO DE SERIE

--	--	--	--	--	--	--	--	--	--	--

## Asistencia al Cliente

**Por favor, NO devuelva la máquina al minorista o distribuidor sin ponerse en contacto primero con el Departamento de Asistencia al Cliente.**

En caso de tener problemas para montar este producto o de tener dudas con respecto a los controles, funcionamiento o mantenimiento de esta máquina, puede solicitar la ayuda de expertos. Elija entre las opciones que se presentan a continuación:

- ◇ Visite nuestro sitio web en [www.mtdproducts.com](http://www.mtdproducts.com)
- ◇ Llame a un representante de Asistencia al Cliente al (800) 800-7310 or (330) 220-4683
- ◇ Escribanos a MTD LLC • P.O. Box 361131 • Cleveland, OH • 44136-0019



**ADVERTENCIA:** La presencia de este símbolo indica que se trata de instrucciones importantes de seguridad que se deben respetar para evitar poner en peligro su seguridad personal y/o material y la de otras personas. Lea y siga todas las instrucciones de este manual antes de poner en funcionamiento esta máquina. Si no respeta estas instrucciones puede provocar lesiones personales. Cuando vea este símbolo. **¡TENGA EN CUENTA LAS ADVERTENCIAS!**

## PROPOSICIÓN 65 de California



**ADVERTENCIA:** El escape del motor de este producto, algunos de sus componentes y algunos componentes del vehículo contienen o liberan sustancias químicas que el estado de California considera que pueden producir cáncer, defectos de nacimiento u otros problemas reproductivos.



**PELIGRO:** Esta máquina está diseñada para ser utilizada respetando las normas de seguridad contenidas en este manual. Al igual que con cualquier tipo de equipo motorizado, un descuido o error por parte del operador puede producir lesiones graves. Esta máquina es capaz de amputar manos y pies y de arrojar objetos con gran fuerza. De no respetar las instrucciones de seguridad siguientes se pueden producir lesiones graves o la muerte.

## Capacitación

1. Lea, entienda y cumpla todas las instrucciones incluidas en la máquina y en el(los) manual(es) antes de intentar realizar el montaje de la unidad y utilizarla. Guarde este manual en un lugar seguro para consultas futuras y periódicas, así como para solicitar repuestos.
2. Familiarícese con todos los controles y con el uso adecuado de los mismos. Sepa cómo detener la máquina y desactivar los controles rápidamente.
3. No permita nunca que los niños menores de 16 años utilicen esta máquina. Los niños de 16 años en adelante deben leer y entender las instrucciones de operación y normas de seguridad contenidas en este manual y en la máquina y deben ser entrenados y supervisados por un adulto.
4. Nunca permita que los adultos operen esta máquina sin recibir antes la instrucción apropiada.
5. Muchos accidentes ocurren cuando más de una persona hace funcionar la máquina. Si un peón lo está ayudando a cargar los troncos, nunca active el control hasta que el peón se encuentre por lo menos a 10 pies de distancia de la máquina.
6. Mantenga a los transeúntes, ayudantes, mascotas y niños al menos a 20 pies de la máquina mientras está en funcionamiento.
7. Nunca permita que ninguna persona se desplace en la máquina.
8. Nunca traslade cargas en esta máquina.
9. Las máquinas rompe troncos hidráulicas desarrollan altas presiones de fluido durante el funcionamiento.
10. Si sale fluido a través de la abertura de un orificio de pasador el mismo puede penetrar en la piel y causarle envenenamiento de la sangre, gangrena o la muerte. Preste atención a las siguientes instrucciones en todo momento:
  - a. No controle las fugas con la mano.
  - b. No opere la máquina si las mangueras, los accesorios o los tubos están deshilachados, enroscados, agrietados o dañados.
  - c. Detenga el motor y libere la presión del sistema hidráulico antes de cambiar o ajustar los accesorios, mangueras, tubos u otros componentes del sistema.
  - d. No ajuste los valores de presión de la bomba o válvula.
11. Las fugas se pueden detectar pasando un cartón o madera sobre el área sospechosa, usando guantes de protección y anteojos de seguridad. Fíjese si el cartón o la madera pierden color.
12. Si es lastimado por un escape de fluido, consulte a un médico de inmediato. Si no se administra tratamiento médico adecuado inmediatamente se puede producir una infección o reacción grave.
13. Mantenga la zona del operador y el área adyacente despejadas, para poder estar parado con firmeza y seguridad.
14. Si la máquina está equipada con un motor de combustión interna y existe la intención de usarla cerca de un terreno agreste cubierto de bosque, arbustos o pasto, el escape de la misma debe estar provisto de un amortiguador de chispas. Asegúrese de respetar todos los códigos locales, estatales y federales aplicables. Lleve el equipamiento adecuado para combatir incendios.

14. Esta máquina se debe utilizar únicamente para cortar madera, no la use con ningún otro propósito.
15. Siga las instrucciones del(de los) manual(es) entregado(s) con cualquier accesorio de esta máquina.

## Preparativos

1. Siempre use zapatos de seguridad o botas reforzadas.
2. Siempre use anteojos o antiparras de seguridad cuando hace funcionar esta máquina.
3. No use nunca joyas ni vestimenta floja que pudiere quedar atrapada en las partes móviles o giratorias de la máquina.
4. Asegúrese de que la máquina se encuentre en una superficie nivelada antes de ponerla en funcionamiento.
5. Siempre bloquee las ruedas para evitar que se mueva accidentalmente y trabe la vigueta ya sea en posición horizontal o vertical.
6. Siempre opere la máquina desde la(s) zona(s) del operador que se especifican en el manual.
7. Antes de cortar los troncos con esta máquina se les deben cortar los extremos en escuadra.
8. Use la máquina rompe troncos a la luz del día o con buena luz artificial.

## Manejo seguro de la gasolina

Para evitar lesiones personales o daños materiales sea sumamente cuidadoso al manipular la gasolina. La gasolina es sumamente inflamable y sus vapores pueden causar explosiones. Si se derrama gasolina encima o sobre la ropa se puede lesionar gravemente ya que se puede incendiar. Lávese la piel y cámbiese de ropa de inmediato.

- a. Utilice sólo los recipientes para gasolina autorizados.
- b. Apague todos los cigarrillos, cigarros, pipas y otras fuentes de ignición.
- c. Nunca cargue combustible en la máquina en un espacio cerrado.
- d. Nunca saque la tapa del combustible ni agregue combustible mientras el motor está caliente o en marcha.
- e. Deje que el motor se enfríe por lo menos dos minutos antes de volver a cargar combustible.
- f. Nunca llene en exceso el tanque de combustible. Llene el tanque no más de 1/2 pulgada por debajo de la base del cuello del filtro para dejar espacio para la expansión del combustible.
- g. Vuelva a colocar la tapa de la gasolina y ajústela bien.
- h. Limpie el combustible que se haya derramado sobre el motor y el equipo y mueva la máquina a otra área. Espere cinco minutos antes de encender el motor.
- i. Nunca guarde la máquina o el recipiente de combustible en un espacio cerrado donde haya fuego, chispas o luz piloto, como por ejemplo de calentadores de agua, calefactores de ambientes, hornos, secadores de ropa u otros aparatos a gas.
- j. Deje que la máquina se enfríe por lo menos 5 minutos antes de guardarla.

## Funcionamiento

1. Antes de arrancar esta máquina, revise las "Instrucciones de Seguridad". Si no se respetan estas normas se pueden producir lesiones graves tanto al operador como a los observadores.
2. Nunca deje la máquina en funcionamiento sin vigilancia.
3. No utilice la máquina bajo la influencia del alcohol, las drogas o un medicamento.
4. Nunca permita a nadie operar esta máquina sin recibir antes la instrucción apropiada.
5. Siempre opere la máquina con todo el equipamiento de seguridad en su lugar y en condiciones. Asegúrese de que todos los controles se ajusten adecuadamente para una operación segura.
6. Operador de Zona
  - a. Posición de funcionamiento horizontal: Stand en la palanca de control de parte del diario del separador delante de la rueda tal y como se muestra en la Fig. 2-1.
  - b. Posición Vertical de funcionamiento: de pie delante de la viga y de registro como se muestra en la Fig. 2-1.

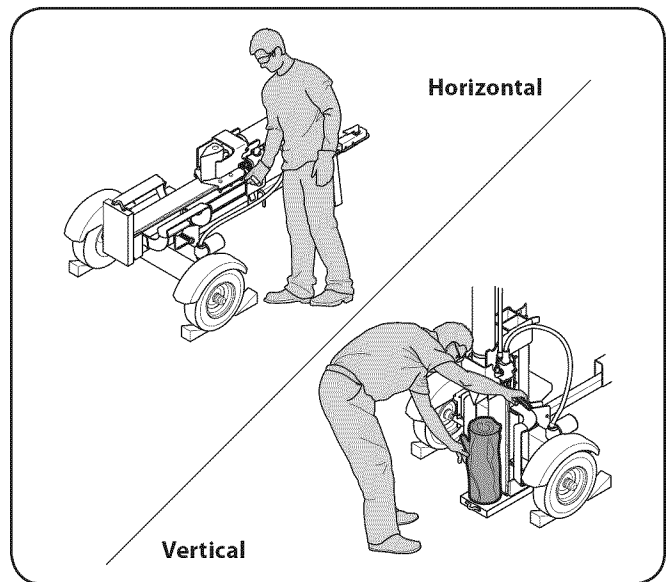


Figure 2-1

7. No cambie la configuración del regulador del motor ni acelere demasiado el motor. El regulador del motor controla la velocidad máxima de funcionamiento seguro del motor.
8. Cuando cargue un tronco, siempre coloque las manos a los lados del mismo, no en los extremos, y no use nunca el pie para estabilizar un tronco. Si no respeta estas instrucciones, se puede producir el aplastamiento o la amputación de dedos, dedos de los pies, manos o pies.
9. Use únicamente la mano para operar los controles.
10. Nunca intente cortar más de un tronco por vez, a menos que el cabezal se encuentre totalmente extendido y sea necesario un segundo tronco para completar la separación del primero.

11. En el caso de troncos que no están cortados en escuadra, el extremo menos cuadrado y la parte más larga del tronco se deben colocar hacia la vigueta y cuña, y el extremo cuadrado se debe ubicar hacia la placa del extremo.
12. Cuando corte en posición vertical, estabilice el tronco antes de mover el control. Corte según se indica a continuación:
  - a. Coloque el tronco en la placa del extremo y gírelo hasta que se incline contra la vigueta y quede estable.
  - b. Cuando corte troncos muy grandes o desperejos, el tronco se debe estabilizar con cuñas de madera o madera cortada entre el tronco y la placa del extremo o el suelo.
13. Mantenga los dedos alejados de cualquier hendidura que se abra en el tronco mientras realiza el cortado. Estas separaciones se pueden cerrar con rapidez y atrapar o amputar dedos.
14. Mantenga limpia el área de trabajo. Retire inmediatamente la madera cortada que quede alrededor de la máquina para no tropezarse con la misma.
15. Nunca mueva la máquina mientras está en funcionamiento.
16. Esta máquina no se debe remolcar en ninguna calle, ruta o camino público sin verificar los requisitos aplicables a los vehículos según las reglamentaciones federales, estatales o locales que se encuentren en vigencia. Cualquier autorización o modificación que se deba realizar, por ejemplo, en relación con luces traseras, etc., es responsabilidad exclusiva del comprador. Si en su estado se exige una "Declaración de Origen", consulte con su distribuidor local.
17. No remolque la máquina por encima de las 45 mph.
18. Vea la sección 'Transporte de la máquina rompe troncos' de este manual para consultar las instrucciones de remolque adecuadas después de haber cumplimentado todos los requisitos federales, locales o estatales.
5. Controle todos los protectores y escudos de seguridad para verificar que se encuentren en posición adecuada. Nunca opere la máquina si se han retirado los protectores o escudos de seguridad u otros dispositivos de protección.
6. La válvula de descarga de presión viene preconfigurada de fábrica. No la ajuste.
7. No intente nunca mover la máquina en terreno en pendiente o desperejo sin un vehículo de remolque o sin ayuda adecuada.
8. Por su seguridad, cambie todas las piezas dañadas o desgastadas inmediatamente utilizando únicamente equipo del fabricante original ("OEM"). "La utilización de piezas que no cumplen con las especificaciones de equipos originales puede tener como resultado un rendimiento inadecuado y puede poner en riesgo la seguridad".
9. No modifique esta máquina de ningún modo; si se realizan modificaciones tales como agregado de una cuerda o alargador a la manija de control, o el aumento del ancho o la altura de la cuña, se pueden producir lesiones personales graves.
10. Según la Comisión de Seguridad de Productos para el Consumidor de los Estados Unidos (CPSC) y la Agencia de Protección Ambiental de los Estados Unidos (EPA), este producto tiene una *vida útil media* de siete (7) años ó 130 horas de funcionamiento. Al finalizar la *vida útil media*, adquiera una máquina nueva o haga inspeccionar anualmente esta unidad por un distribuidor de servicio autorizado para cerciorarse de que todos los sistemas mecánicos y de seguridad funcionan correctamente y no tienen excesivo desgaste. Si no lo hace, pueden producirse accidentes, lesiones o la muerte.

## Mantenimiento y almacenamiento

1. Detenga el motor, desconecte la bujía y haga masa contra el motor antes de limpiar o inspeccionar la máquina.
2. Detenga el motor y libere la presión del sistema hidráulico antes de reparar o ajustar los accesorios, mangueras, tubos u otros componentes del sistema.
3. Para evitar incendios, limpie la suciedad y grasa de las áreas del motor y del silenciador. Si el motor está equipado con un silenciador con amortiguador de chispas, límpielo e inspecciónelo regularmente según las instrucciones de los fabricantes. Reemplácelo si está dañado.
4. Periódicamente controle que todas las tuercas y pernos, abrazaderas de mangueras y accesorios hidráulicos estén ajustados, para verificar que el equipo se encuentra en condiciones de trabajo seguras.

## Amortiguador de chispas



**ADVERTENCIA:** Esta máquina está equipada con un motor de combustión interna y no debe ser utilizada en un terreno agreste cubierto por bosque, malezas o hierba ni cerca del mismo excepto que el sistema de escape del motor esté equipado con un amortiguador de chispas que cumpla con las leyes locales o estatales correspondientes (en caso de haber).

Si se utiliza un amortiguador de chispas el operador lo debe mantener en condiciones de uso adecuadas. En el Estado de California las medidas anteriormente mencionadas son exigidas por ley (Artículo 4442 del Código de Recursos Públicos de California). Es posible que existan leyes similares en otros estados. Las leyes federales se aplican en territorios federales. Puede conseguir el amortiguador de chispas para el silenciador a través de su distribuidor de mantenimiento de motores autorizado más cercano o poniéndose en contacto con el departamento de servicios, Apartado Postal 361131 Cleveland, Ohio 44136-0019.

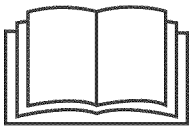

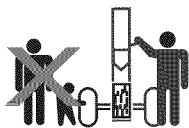






**ADVERTENCIA:** Su responsabilidad—Restrinja el uso de esta máquina motorizada a las personas que lean, comprendan y respeten las advertencias e instrucciones que figuran en este manual y en la máquina.

**GUARDE ESTAS INSTRUCCIONES**

## Símbolos De Seguridad

Esta página representa y describe los símbolos de seguridad que pueden aparecer en este producto. Leído, entienda, y siga todas las instrucciones en la máquina antes de procurar montar y funcionar.

Símbolo	Descripción
	LEA EL MANUAL(S) DEL OPERADOR leído, entienda, y siga todas las instrucciones en el manual(s) antes de procurar montar y funcionar
	ADVERTENCIA— MACHACAMIENTO DE PELIGRO Mantenga las manos ausentes de la cuña, placa de extremo, parta en parte las piezas de madera y móviles.
	PERSONAS PRESENTES Guarde a las personas presentes, a los ayudantes y a niños por lo menos 10 pies lejos.
	SOLO OPERADOR Solamente una persona debe funcionar la máquina a la vez. El adulto que carga y el registro de los asientos deben ser el quién funciona la manija de control.
	ADVERTENCIA— LÍQUIDO PRESURIZADO Nunca compruebe para saber si hay escapes de la manguera con sus manos. El líquido de alta presión puede escaparse a través de un perno escape del agujero y causar lesión seria pinchando la piel y causando el envenenamiento de sangre.
	PROTECCIÓN DE OJO Use siempre las gafas de seguridad o los anteojos de seguridad al funcionar esta máquina.
	ADVERTENCIA— CUÑA MÓVIL Mantenga las manos ausentes de cuña y de piezas móviles.



**¡ADVERTENCIA!** Su Responsabilidad—Restringe el uso de esta máquina del poder a personas que leen, comprenden y siguen las advertencias y las instrucciones en este manual y en la máquina.

**¡GUARDE ESTAS INSTRUCCIONES!**

## Contenido de la caja

- Una máquina rompe troncos
- Un Manual del operador
- Un Manual del operador del motor
- Un montaje de lengüeta
- Un kit de luz de cola (si corresponde)

**NOTA:** Este Manual del operador se extiende a varios modelos. Registrarse separador características pueden variar según el modelo. No todas las funciones en este manual son aplicables a todos los modelos de registro y el separador de registro separador representado pueden ser diferentes de los suyos.



**¡ADVERTENCIA!** Tenga mucho cuidado al desembalar esta máquina. Algunos componentes son muy pesados y es necesario que colaboren varias personas o que se use equipo de manipulación mecánico.

**NOTA:** Las referencias que contiene este manual sobre los lados derecho o izquierdo de la máquina rompe troncos se hacen observando la misma desde la posición de operación. Si existiera alguna excepción, la misma será especificada.

## Montaje

### Colocación del gato

El gato se envía en posición de transporte.

1. Retire la abrazadera de resorte y el pasador de horquilla y gire el gato hacia el suelo, hasta la posición de operación.
2. Fije el gato en su lugar con la chaveta de horquilla y la abrazadera de resorte. Vea la Fig. 3-1.

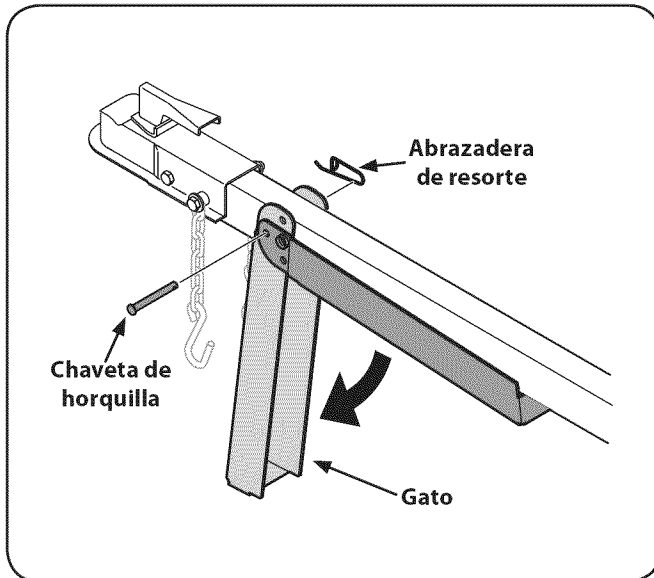


Figura 3-1

### Colocación de la lengüeta

1. Con la máquina rompe troncos fija en posición vertical, retire los dos pernos hexagonales y las tuercas hexagonales del soporte del tanque. Vea la Fig. 3-2.

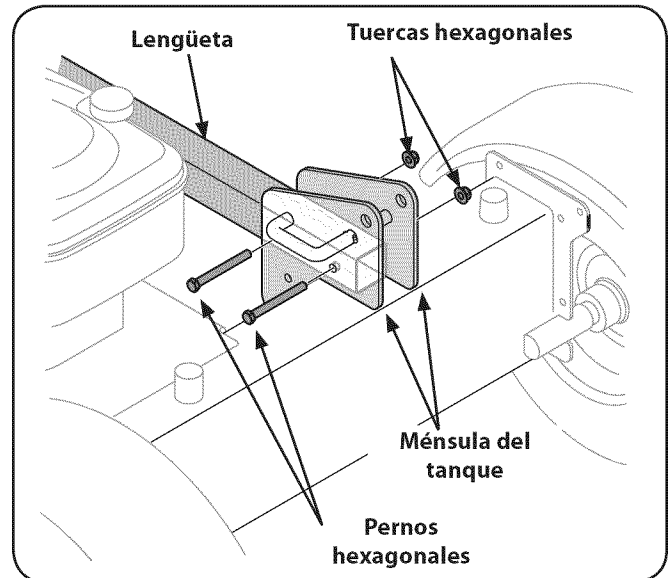


Figura 3-2

2. Alinee los orificios de la lengüeta con los orificios del soporte del tanque y fíjela con los elementos de ferretería que se acaban de retirar. Vea la Fig. 3-2.

**NOTA:** La manguera de alta presión, que se extiende desde la bomba de engranaje hasta la parte inferior de la válvula de control, debe estar por encima del montaje de la lengüeta. Consulte la Sección 9 (Ilustración de Lista de Partes) si no está seguro de cuál es la manguera de alta presión.

## Conexión del cilindro a la vigueta

La máquina rompe troncos se envía con la vigueta en posición vertical.

1. Tire hacia afuera del bloqueo de vigueta vertical, rótelo hacia atrás y gire la vigueta a la posición horizontal hasta que quede trabada. Vea la Fig. 3-3.

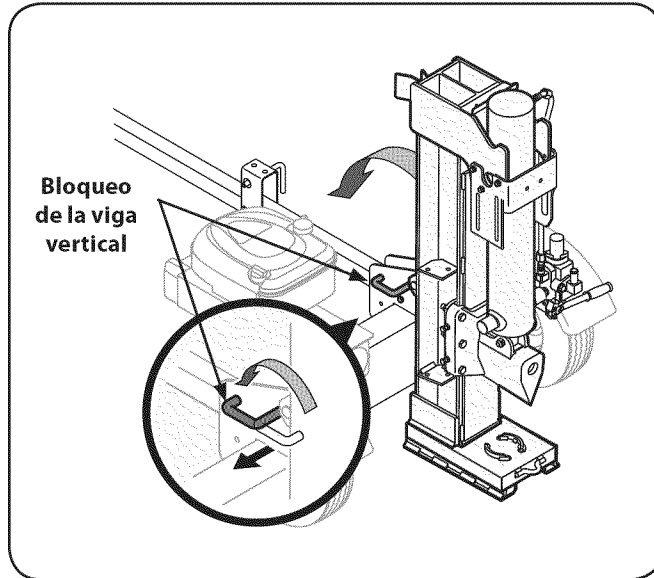


Figura 3-3

2. Desconecte el liberador del soporte soldado de vigueta retirando los seis tornillos hexagonales. Vea la Fig. 3-4.

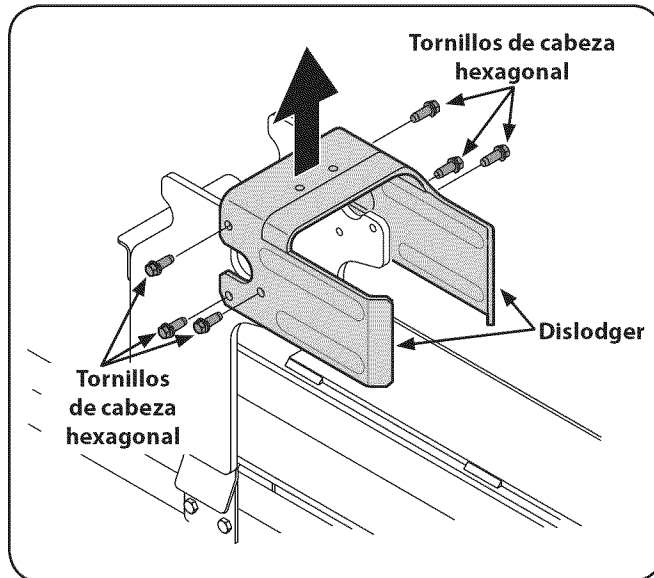


Figura 3-4

3. Desconecte el bastidor de troncos de la vigueta al costado de la válvula de control. Vea la Fig. 3-5.

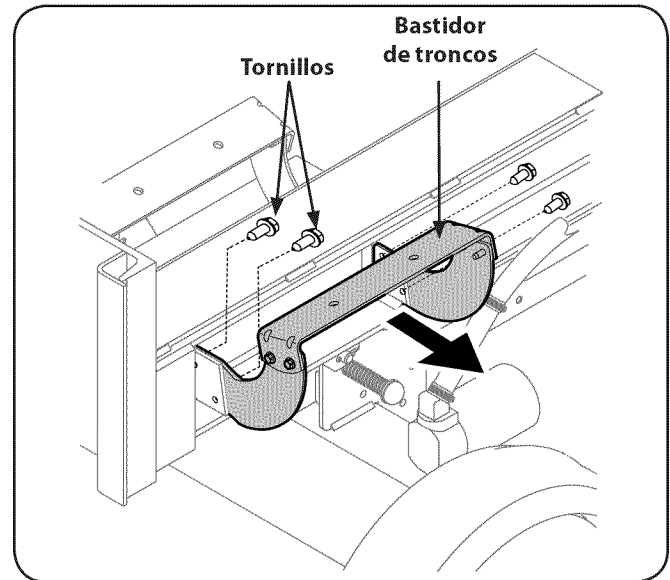


Figura 3-5

4. Levante y deslice el cilindro hacia arriba hasta el tope de la vigueta y dentro de los soportes soldados. Vea la Fig. 3-6.

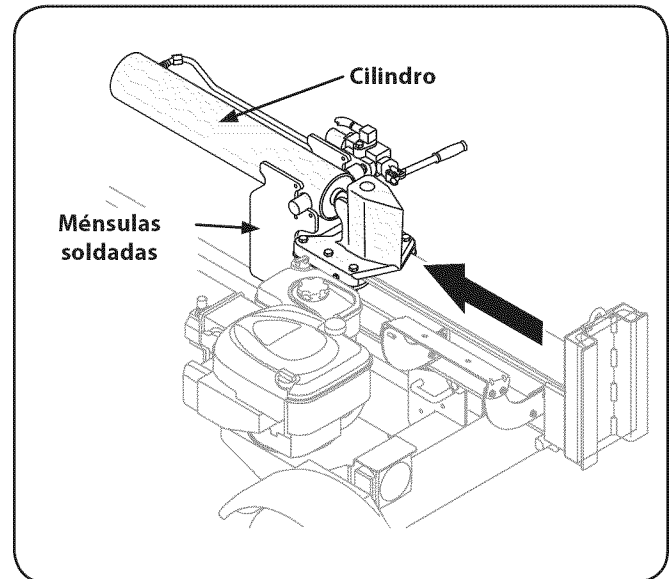


Figura 3-6

5. Coloque el liberador por encima del montaje de la cuña y fíjelo en los soportes soldados con los elementos de ferretería retirados previamente.

**NOTA:** Una vez apretados los seis tornillos hexagonales, puede haber una pequeña separación entre el liberador y los soportes soldados. Esta separación es normal.

6. Vuelva a colocar el bastidor de troncos al costado de la vigueta con la válvula de control, alineando los extremos del bastidor con las bridas de la vigueta.
7. Haga rodar la máquina rompe troncos fuera de la parte inferior de la caja.



## Instalación de luz de cola (si corresponde)

Las abrazaderas de montaje de la cola de luz están instalados. Consulte la hoja de instalación incluido con el kit de luz de cola para montar las luces y la ruta de la silla.

## Configuración

### Llenado de gasolina y aceite

Realice el mantenimiento del motor con gasolina y aceite como se explica en el manual del motor que se entregó con la máquina rompe troncos. Lea las instrucciones con atención.



**¡ADVERTENCIA!** Tenga mucho cuidado al trabajar con gasolina. La gasolina es sumamente inflamable y sus vapores pueden causar explosiones. Nunca agregue combustible a la máquina en interiores ni mientras el motor está caliente o en funcionamiento.

**NOTA:** Su divisor del registro se envía con aceite del motor en el motor. Usted DEBE controlar el nivel de aceite antes de hacer funcionar la máquina. Tenga cuidado de no llenar en exceso. Se puede agregar gasolina al motor cuando la máquina rompe troncos se encuentra en posición horizontal o vertical. Sin embargo, hay menos obstrucciones cuando la unidad se encuentra en posición vertical.

### Preparación de la máquina rompe troncos

1. Lubrique el área de la vigueta donde se desplazará la cuña de corte con aceite de motor. No use grasa.
2. Retire la varilla del depósito venteadada que se encuentra en frente del motor, sobre el tanque de depósito. Vea la Fig. 3-7.

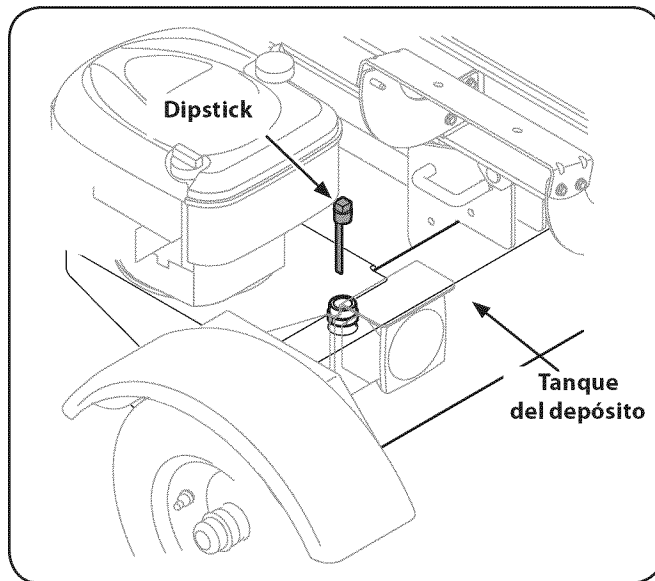


Figura 3-7

**NOTA:** El separador de registro está lleno para el buen nivel de funcionamiento del fabricante con Shell Tellus® 32 fluido hidráulico. Sin embargo, usted debe comprobar el nivel del líquido antes de operar. Si no se llena, proceder con los pasos siguientes:

**NOTA:** Aprobado líquidos incluyen Shell Tellus® 32 de fluidos hidráulicos, Dexron® III/Mercon® líquido de transmisión automática, Pro-Select™ AW-32 Aceite hidráulico o 10WAW grado de viscosidad ISO-32 de aceite hidráulico. No se recomienda que los fluidos se mezclan, a la parte superior de tanque durante la configuración el uso de Shell Tellus® fluido hidráulico sólo 32.



**¡ADVERTENCIA!** Gran parte del líquido original se ha desplazado en el cilindro y las mangueras. Asegúrese de volver a llenar el depósito para evitar que se dañe la bomba hidráulica.

3. Controle el nivel de líquido con la varilla de nivel. Vea la Figura 3-7. No llene el depósito en exceso.
4. Vuelva a colocar la varilla de nivel venteadada y apriétela bien hasta que el tope de las roscas quede al ras del tope del tubo.
5. Desconecte la bujía y cebe la bomba tirando del arrancador de retroceso hasta el máximo. Repita este paso aproximadamente 10 veces.
6. Vuelva a conectar el cable de la bujía y arranque el motor según las instrucciones de la sección Funcionamiento.
7. Use la manija de control para enganchar la cuña en la posición de extensión máxima. Luego retraiga la cuña.
8. Vuelva a llenar el tanque según lo especificado en la varilla de nivel.

**NOTA:** La falta de llenado del tanque anula la garantía de la unidad.

9. Extienda y retraiga la cuña 12 ciclos completos para eliminar el aire atrapado en el sistema (el sistema es "autopurgante").
10. Vuelva a llenar el depósito dentro del rango que figura en la varilla de nivel.

**NOTA:** Parte del líquido puede rebasar el tapón de cierre de la tubería de ventilación ya que el sistema genera calor y el líquido se expande y busca un nivel balanceado.

### Presión de los neumáticos

La presión de operación máxima recomendada es 30 psi. En ninguna circunstancia supere la presión en psi recomendada por el fabricante. Mantenga la misma presión en todos los neumáticos.



**¡ADVERTENCIA!** Una presión excesiva al pisar un reborde puede causar que el montaje de neumático/lanta explote con una fuerza suficiente como para causar lesiones graves.

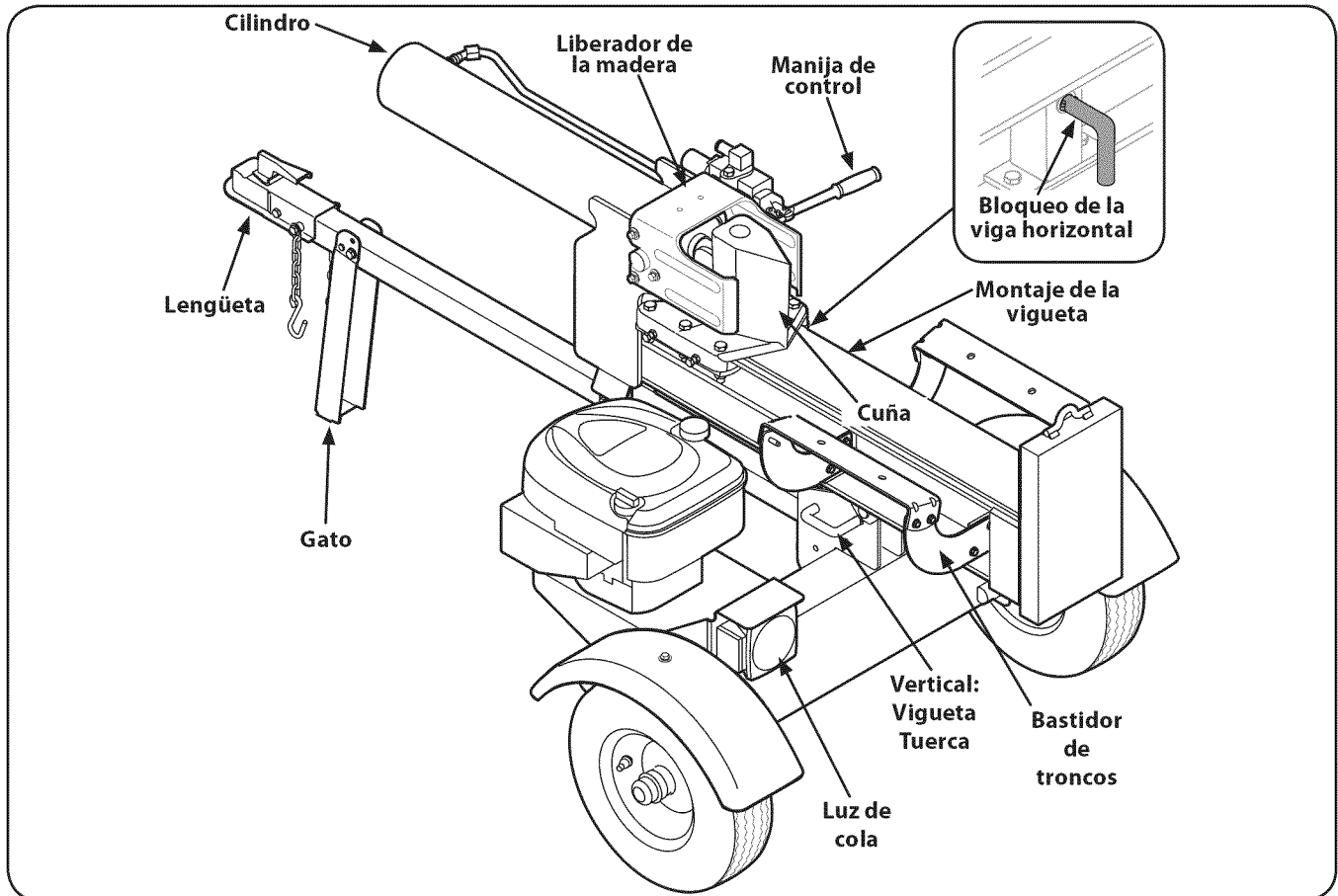


Figure 4-1

**NOTA:** Este Manual del operador se extiende a varios modelos. Registrarse separador características pueden variar según el modelo. No todas las funciones en este manual son aplicables a todos los modelos de registro y el separador de registro separador representado pueden ser diferentes de los suyos.

## Controles del motor

Consulte el manual del motor adjunto para ver la ubicación y el funcionamiento de los controles del motor.

## Bloqueos de las vigas

Estas dos trabas, como su nombre lo indica, se usan para ajustar la vigueta en posición horizontal o en posición vertical. La traba de la vigueta vertical está ubicada sobre la ménsula de los depósitos. El bloqueo de la vigueta horizontal está ubicado sobre el soporte del sujetador de la vigueta.

## Manija de control

La manija de control tiene tres posiciones: Hacia adelante, neutral, y marcha atrás. Consulte la Sección de Funcionamiento para más instrucciones.

## Cuña

La cuña se usa para cortar la madera.

## Lengüeta

La lengüeta se usa para acoplar a un vehículo de remolque para transporte.

## Luz de cola (si corresponde)

La cola de la luz se encuentra en la parte posterior del chasis para el transporte y remolque de efectos.



**¡ADVERTENCIA!** No remolque a velocidad superior a 45 millas por hora, y verifique los requisitos locales, estatales y federales antes de realizar el remolque en cualquier ruta pública.

## Liberador de la madera

El liberador de madera está diseñado para sacar de la cuña la madera parcialmente cortada. Esto puede suceder cuando se corta madera de gran diámetro o que ha sido cortada recientemente.

## Manija de control

La manija de control se usa para mover la cuña hacia arriba y hacia abajo para cortar madera.

## Encendido del motor



**¡ADVERTENCIA!** Lea, comprenda y siga todas las instrucciones y advertencias que aparecen en la máquina y en este manual antes de operarla.



**¡ADVERTENCIA!** Use guantes de trabajo de cuero, zapatos de seguridad, protección auditiva y anteojos de seguridad cuando opere la máquina rompe troncos. Asegúrese de estar bien parado.

### Antes de cada uso

1. Con el cable de la bujía desconectado, quite la varilla y compruebe el nivel de fluido hidráulico. Vuelva a llenar si es necesario. Aprobados líquidos incluyen Shell Tellus® 32 de fluidos hidráulicos, Dexron® III/Mercon® líquido de transmisión automática, Pro-Select™ AW-32 Aceite hidráulico o 10WAW grado de viscosidad ISO-32 de aceite hidráulico.  
**NOTA:** No se recomienda que los fluidos se mezclen.
2. Revise el nivel de aceite del motor. Agregue líquido de ser necesario.
3. Cargue gasolina si es necesario.
4. Lubrique el frente, los lados, y el trasero del faceand de la viga adonde la cuña que parte resbalará con aceite de motor. No utilice la grasa. Cértese de lubricar el frente y la parte posterior de la cara de la viga.
5. Conecte el cable de la bujía a la misma.

### Encendido del motor

1. Conecte el cable de la bujía a la misma. Asegúrese de que el capuchón metálico sobre el extremo del cable de la bujía de encendido está bien sujeto sobre la punta metálica de la bujía.
2. Mueva la válvula de combustible (si corresponde) a la posición ON (activada).
3. Mueva la palanca de la estrangulación (si corresponde) a la posición de reposo.
4. Si el motor está equipado con un manual, siga las instrucciones del Manual del operador del motor principal de la misma.
5. Gire la válvula de control (si corresponde) a la posición FAST.
6. Tome la manija del arrancador y tire de la cuerda hacia afuera lentamente hasta que el motor inicie el ciclo de compresión (la cuerda tirará un poco más fuerte en este punto).
7. Tire de la cuerda con un golpe rápido de todo el brazo. Apriete bien la manija del arrancador. Deje que la cuerda se enrolle lentamente. Repita hasta que el motor esté en marcha.
8. Una vez que se haya puesto en marcha el motor, mueva la palanca del cebador a la posición OFF (apagado). Coloque la palanca del regulador en la velocidad deseada.

9. En clima frío, mueva la cuña hacia arriba o hacia abajo entre 6 y 8 veces para hacer circular el líquido hidráulico.



**¡ADVERTENCIA!** Cuando arranca un motor caliente, el silenciador y las áreas que lo rodean están calientes y pueden causar quemaduras. No los toque.

### Detención del motor

1. Mueva la palanca de la estrangulación a la posición de reposo.
2. Dé vuelta a la válvula del combustible a la posición de reposo.

### Uso de la máquina rompe troncos

1. Coloque el rompe troncos sobre una superficie seca y nivelada y apague el motor.
2. Coloque la viga ya sea en posición horizontal o vertical y trábela en su lugar con la varilla de seguridad.  
**NOTA:** Tenga cuidado cuando eleve o baje la viga dado que es bastante pesada. Asegúrese de mantener las manos tan lejos como sea posible de los puntos de apriete.
3. Para colocar la viga en la posición vertical proceda de la siguiente manera:
  - a. Tire del bloqueo de viga horizontal para liberar la viga y girar la viga a la posición vertical.
  - b. Para trabar la viga en posición vertical, tire del bloqueo de viga vertical y gírelo para ajustar la viga. Vea la Fig. 5-1.

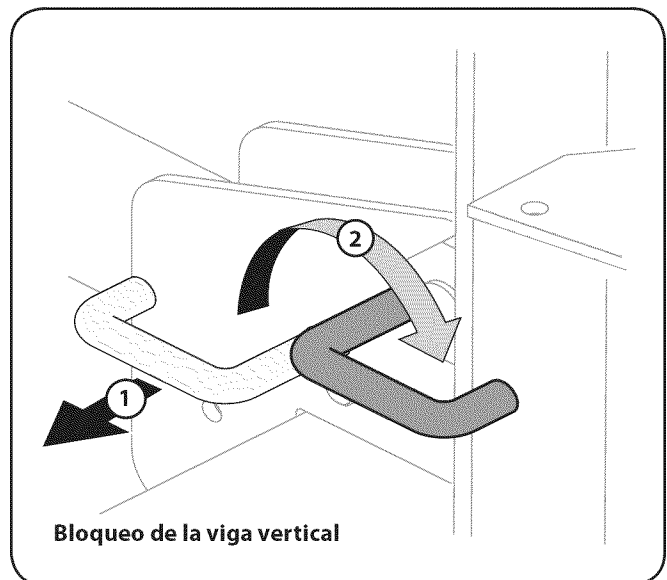
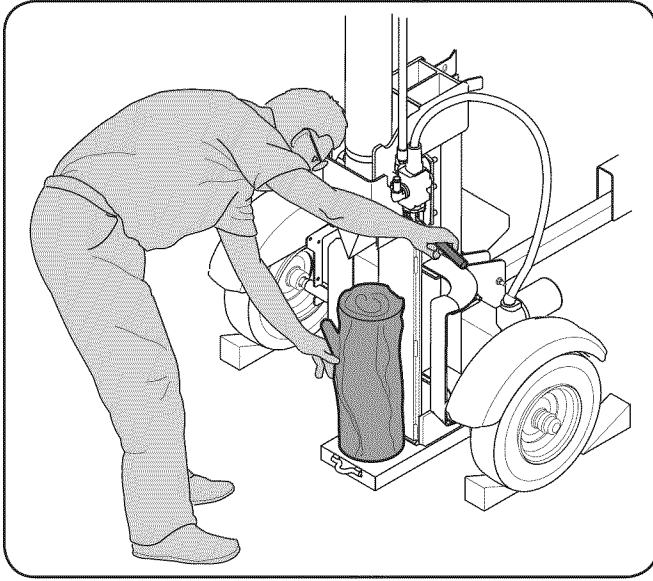


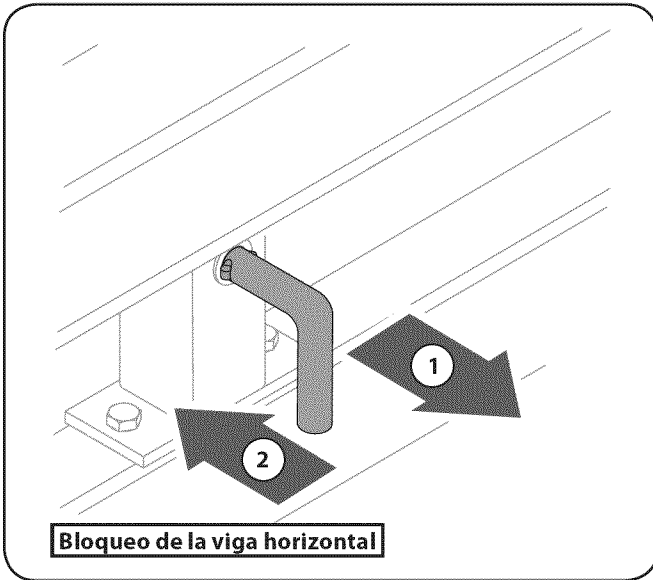
Figura 5-1

- c. Párese delante de la unidad para operar la manija de control y estabilizar la madera. Vea la Fig. 5-2.



**Figura 5-2**

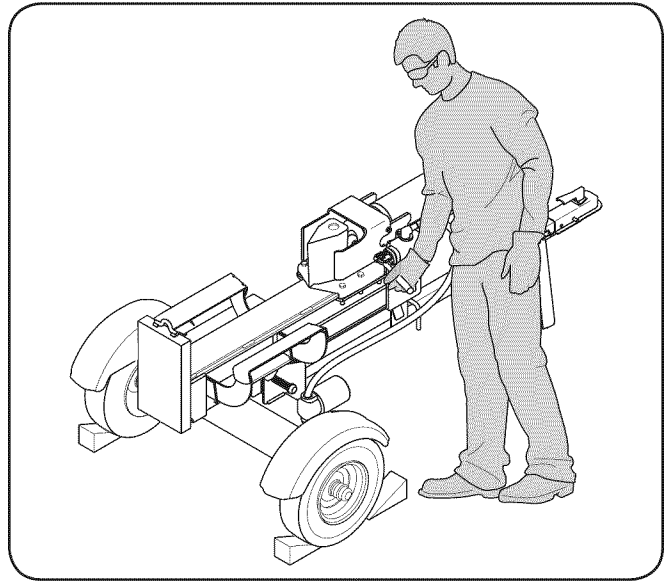
- 4. Para colocar la vigueta en la posición vertical proceda de la siguiente manera:
  - a. Tire del bloqueo de vigueta vertical hacia afuera y rótelo hacia abajo. Baje la vigueta a la posición horizontal.
  - b. Para trabar la vigueta en posición vertical, tire del bloqueo de vigueta vertical y gírelo para ajustar la vigueta. Vea la Fig. 5-3.



**Bloqueo de la viga horizontal**

**Figura 5-3**

- c. Párese detrás del tanque de depósito para operar la manija de control y estabilizar la madera. Vea la Fig. 5-4.



**Figure 5-4**

- 4. Trabe las dos ruedas por delante y por detrás.
- 5. Coloque el tronco contra la placa del extremo y solamente corte la madera en la dirección de la veta.
- 6. Para estabilizar el tronco, coloque la mano solamente a los lados del tronco.



**¡ADVERTENCIA!** Nunca coloque la mano en el extremo entre el tronco y la cuña de corte.

- 7. La manija de control debe ser estabilizada y operada únicamente por un adulto, de modo que el operador tenga el control total del tronco y la cuña de corte.
- 8. Mueva la manija de control HACIA ADELANTE o HACIA ABAJO para cortar la madera.
- 9. Suelte la manija de control para detener el movimiento de la cuña.
- 10. Mueva la manija de control HACIA ATRÁS o HACIA ARRIBA para que regrese la cuña.
- 11. Para sacar de la cuña la madera parcialmente cortada, coloque la manija de control en la posición REVERSE (retroceso) hasta que la cuña sea replegada totalmente para permitir que la parte de la madera cortada haga contacto con el liberador de madera.



**¡ADVERTENCIA!** No utilice nunca las manos para sacar de la cuña la madera parcialmente cortada. Los dedos pueden quedar atrapados entre la madera cortada.

- 12. Una vez extraída de la cuña mediante el uso del liberador de madera, corte madera desde extremo opuesto o en otra ubicación.

### Transporte de la máquina rompe troncos

**NOTA:** Siempre gire la válvula de combustible a la posición OFF (apagado) antes de transportar la máquina rompe troncos.

1. Baje la vigueta a la posición horizontal. Asegúrese de que la vigueta esté trabada firmemente con el bloqueo de vigueta horizontal.
2. Retire la abrazadera de resorte y la chaveta de horquilla del gato.
3. Sostenga la lengüeta y gire el gato hacia arriba contra la lengüeta. Vea la Fig. 5-5.

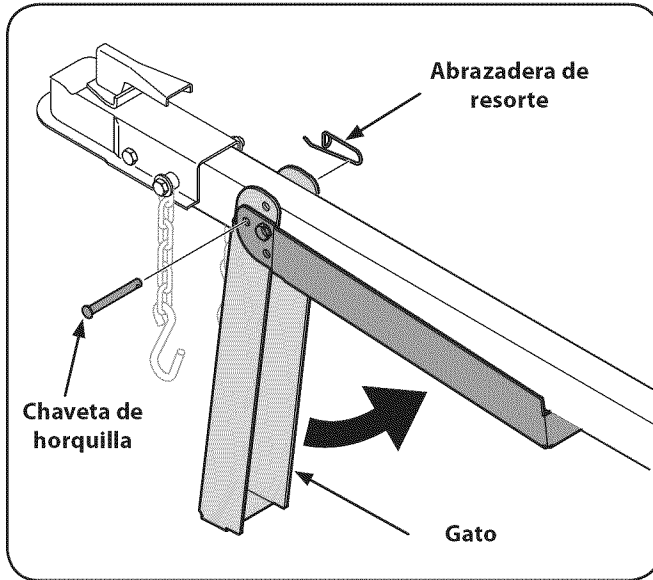


Figura 5-5

4. Fije con la abrazadera de resorte y la chaveta de horquilla retiradas previamente. Vea la Fig. 5-5.
5. Sujete el enganche acoplador a una bola clase I o superior de 2" en un vehículo de remolque; trábelo firmemente.
  - a. Si el enganche acoplador no se ajusta sobre la rótula, gire la tuerca de ajuste un giro en sentido contrario a las agujas del reloj.
  - b. Si el enganche acoplador no se ajusta sobre la rótula, gire la tuerca de ajuste un giro en sentido de las agujas del reloj. Luego vuelva a verificar el ajuste según sea necesario.
6. Conecte las cadenas de seguridad al vehículo de remolque.
7. Conecte las luces en la cola, si corresponde, a la cola del conector de la luz vehículo tractor.



**¡ADVERTENCIA!** No remolque a velocidad superior a 45 millas por hora, y verifique los requisitos locales, estatales y federales antes de realizar el remolque en cualquier ruta pública.

**NOTA:** Sea precavido cuando de marcha atrás. El uso de un observador fuera del vehículo es recomendable.

## Consejos de operación

### Siempre:

1. Use líquido limpio y controle el nivel de líquido regularmente.
2. Utilice un fluido hidráulico. Aprobados líquidos incluyen Shell Tellus® 32 de fluidos hidráulicos, Dexron® III/Mercon® líquido de transmisión automática, Pro-Select™ AW-32 Aceite hidráulico o 10WAW grado de viscosidad ISO-32 de aceite hidráulico.
 

**NOTA:** No se recomienda que los fluidos se mezclarán.
3. Use un filtro (límpiolo o cámbielo regularmente).
4. Use una tapa de respiradero sobre el depósito de líquido.
5. Asegúrese de que la bomba esté montada y alineada adecuadamente.
6. Use un acoplamiento tipo "araña" flexible entre los ejes de accionamiento de la bomba y el motor.
7. Mantenga las mangueras limpias y destapadas.
8. Purgue el aire de las mangueras antes de usarlas.
9. Enjuague y limpie el sistema hidráulico antes de volver a arrancar la máquina después del mantenimiento.
10. Use "lubricante para caños" en todos los accesorios hidráulicos.
11. Deje que el motor se caliente antes de cortar madera.
12. Ceba la bomba antes del arranque inicial, haciendo funcionar el motor con la bujía desconectada (si esto no se realizó en fábrica).
13. Corte la madera únicamente siguiendo la veta (es decir, en sentido longitudinal).

### Nunca:

1. Use la máquina cuando el líquido está a temperatura inferior a 20°F o superior a 150°F.
2. Use un acoplamiento de motor/bomba sólido.
3. Opere a través de la válvula de descarga durante períodos prolongados.
4. Intente ajustar los valores de la válvula de descarga o de seguridad sin manómetros.
5. Opere si hay aire en el sistema hidráulico.
6. Use cinta de Teflón en los accesorios hidráulicos.
7. Intente cortar la madera en sentido transversal a la veta.
8. Intente utilizar las manos para sacar de la cuña la madera parcialmente cortada. Retraiga totalmente la cuña para liberar la madera con el liberador de madera.



**¡ADVERTENCIA!** Siempre detenga el motor, desconecte el cable de la bujía y haga masa contra el motor antes de realizar cualquier ajuste. Utilice siempre anteojos de seguridad durante el funcionamiento o mientras ajusta o repara este equipo.

## Mantenimiento

### Motor

Consulte el manual de operación del motor embalado con la máquina para ver el mantenimiento del motor.

### Presión de los neumáticos

La presión de operación máxima recomendada es 30 psi. Bajo ninguna circunstancia supere la presión en psi recomendada por el fabricante. Mantenga la misma presión en todos los neumáticos.



**¡ADVERTENCIA!** Una presión excesiva al pisar un reborde puede causar que el montaje de neumático / llanta explote con una fuerza suficiente como para causar lesiones graves. Consulte la pared lateral del neumático para ver la presión recomendada.

### Abrazaderas de la manguera

Antes de cada uso, controle las abrazaderas de la manguera de succión (acopladas del lado de la bomba) para verificar que estén ajustadas. Controle las abrazaderas de la manguera de retorno por lo menos una vez por temporada.

### Filtro hidráulico

Cambie el filtro hidráulico cada 50 horas de funcionamiento. Use únicamente un filtro hidráulico de 10 micrones. Haga el pedido del número de pieza 723-0405.

### Acoplador flexible de la bomba

La flexibilidad de la bomba es un acoplador de nylon "araña" insertar, situado entre la bomba y el motor de eje. Con el tiempo, el acoplamiento se endurece y se deterioran. Si detecta las vibraciones o el ruido procedente de la zona situada entre el motor y la bomba en contacto con un distribuidor autorizado de servicio. Si el acoplador no por completo, usted experimentará una pérdida de poder.

### Fluido hidráulico

Controle el nivel de fluido hidráulico del depósito de la máquina rompe troncos antes de usarla. Siempre mantenga el nivel de líquido dentro del rango especificado en la varilla indicadora. Cambie el líquido hidráulico del depósito cada 100 horas de funcionamiento. Siga los pasos que aparecen a continuación.

1. Desconecte la manguera de succión del fondo del tanque de depósito.

2. Con mucho cuidado desenrosque el filtro de entrada y límpielo con aceite penetrante. Vea la Fig. 6-1.

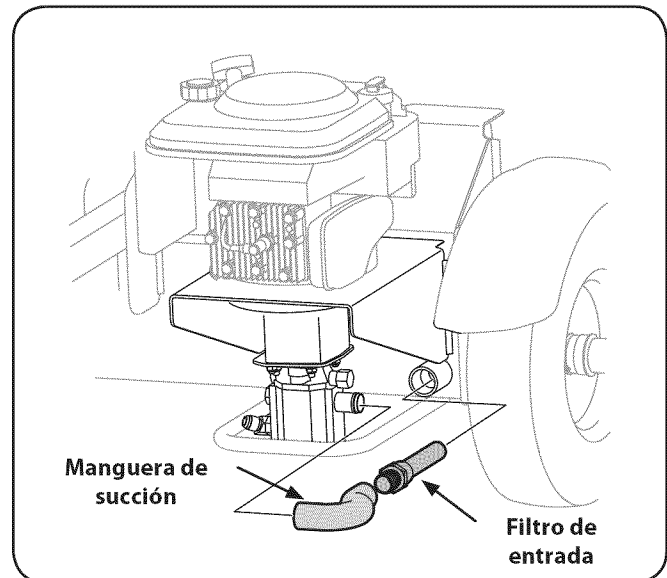


Figura 6-1

3. Deje que el líquido drene en un recipiente adecuado.  
**NOTA:** El tanque tiene una capacidad de 3 galones y todo el sistema hidráulico tiene una capacidad de aproximadamente 4.7 galones.
4. Comprobar el nivel del líquido utilizando la varilla medidora. No llene en exceso.  
**NOTA:** Aprobado líquidos incluyen Shell Tellus® 32 de fluidos hidráulicos, Dexron® III/Mercon® líquido de transmisión automática, Pro-Select™ AW-32 Aceite hidráulico o 10WAW grado de viscosidad ISO-32 de aceite hidráulico. No se recomienda que los fluidos se mezclarán.
5. Sustituir la varilla bien ventilado, apretando hasta que la parte superior de las rosas están a ras con la parte superior de la tubería.
6. Desconecte la bujía y cebar la bomba tirando del arranque en la medida en que se vaya. Repetir 10 veces aproximadamente.
7. Vuelva a conectar el cable de la bujía y arrancar el motor siguiendo las instrucciones de la Sección de Operaciones.
8. Utilice el control de la manija para entablar la cuña más lejano a la posición extendida. Luego retirar la cuña.

- Vuelva a llenar el depósito dentro de los límites marcados en la varilla. Ver fig. 6-2.

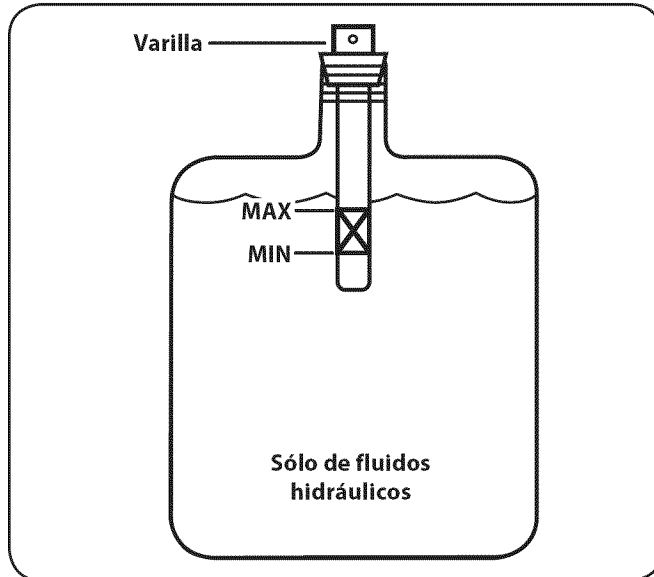


Figura 6-2

- Extender y retirar la cuña de 12 ciclos completos para eliminar el aire atrapado en el sistema (el sistema es "auto-sangrado").



**¡ADVERTENCIA!** Gran parte de la original de fluido se ha preparado en el cilindro y mangueras. Asegúrese de rellenar el depósito para evitar daños a la bomba hidráulica. Si no se recarga el tanque anulará la garantía del separador de registro.

**NOTA:** Algunos de líquido puede desbordar de la válvula de ventilación se basa en el sistema de calor y el líquido se expande y busca un nivel equilibrado. No utilice el separador de registro sin la adecuada cantidad de fluido de transmisión en el tanque.

### Vigueta y cuña de corte

- Lubrique la tapa, los lados y el fondo de la viga y donde viene en contacto con la cuña que parte con aceite de motor antes de cada uso.
- Asegúrese de reajustar los pernos de ajuste para que la cuña se mueva libremente, pero sin que quede excesivo espacio entre la placa de la cuña y la vigueta.

## Ajustes

### Ajuste del retenedor

Periódicamente retire y cambie los "retenedores" (separadores) entre el montaje de la cuña y el contraplato.

**NOTA:** Los retenedores se pueden rotar y/o girar para un desgaste parejo.

- Afloje las tuercas de seguridad que se encuentran debajo de cada contraplato y deslice los retenedores hacia afuera. Vea la Fig. 6-3.

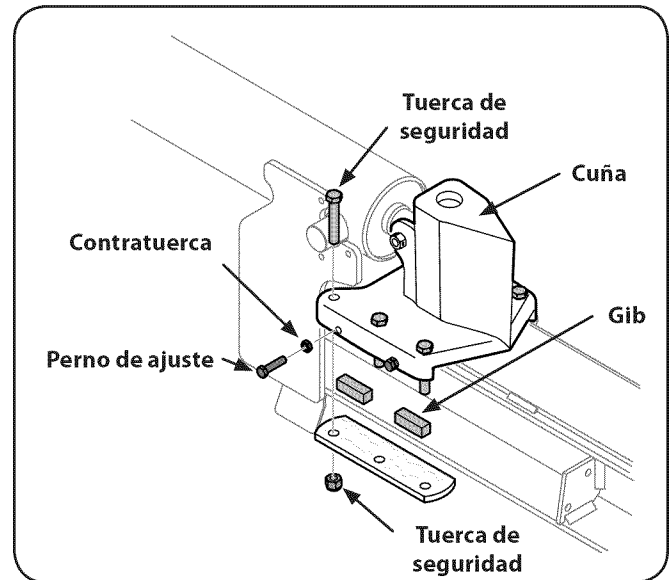


Figura 6-3

- Gire o cambie los retenedores.
- Vuelva a montar el contraplato y ajústelo con las tuercas de seguridad.
- Vuelva a ajustar los pernos que se encuentran del lado del montaje de la cuña.

### Elevación y descenso de la vigueta

Use la manija de control para deslizar la cuña hacia arriba y hacia abajo de la vigueta de 6 a 8 veces para hacer circular el fluido hidráulico, de modo que se caliente y diluya el fluido. Coloque la máquina rompe troncos en una superficie firme y nivelada.

Para levantar la vigueta a los efectos de operar de forma vertical:

- Tire del bloqueo de vigueta horizontal sobre la lengüeta.
- Gire el bloqueo de vigueta hacia abajo para liberar la vigueta.
- Mueva la vigueta a la posición vertical. Fijela con el bloqueo de vigueta sobre el montaje del tanque de depósito.



**¡ADVERTENCIA!** Use siempre la máquina rompe troncos en posición vertical cuando corta troncos pesados.

Para bajar la vigueta:

1. Tire del bloqueo de vigueta vertical sobre el tanque de depósito.
2. Gire el bloqueo de vigueta hacia abajo para liberar la vigueta.
3. Con mucho cuidado tire hacia atrás sobre la vigueta y bájela a la posición horizontal. El bloqueo de vigueta horizontal se bloquea automáticamente.

### Montaje de la cuña

A medida que se produce el desgaste normal y se genera juego excesivo entre la cuña y la vigueta, ajuste los pernos laterales del montaje de la cuña para eliminar el espacio excesivo entre la cuña y la vigueta.

1. Afloje las contratueras de los dos pernos de ajuste que se encuentran a los costados de la cuña. Vea la Fig. 6-2.
2. Gire los pernos de ajuste hacia adentro hasta que queden ajustados y luego llévelos hacia atrás lentamente (aproximadamente 1-2/2 giros) hasta que la cuña se deslice sobre la vigueta.
3. Vuelva a apretar las contratueras con firmeza contra el lado de la cuña para fijar los pernos de ajuste en su lugar.

## Almacenamiento fuera de temporada

Si el rompe troncos no se usa por más de 30 días, prepárelo para su almacenamiento de la siguiente manera:



**¡ADVERTENCIA!** Nunca almacene la máquina con combustible en el tanque en un área del edificio donde los vapores puedan alcanzar una llama expuesta o chispas, o donde existan fuentes de ignición, tales como calentadores de agua, calefactores de ambientes, hornos, secadoras de ropa, estufas, motores eléctricos, etc.

1. Limpie a fondo la máquina rompe troncos.  
**NOTA:** No se recomienda utilizar una limpiadora a presión o manguera de jardín para limpiar su unidad. Pueden producir daños a los cojinetes o al motor. El uso de agua acortará la vida útil de la máquina y reducirá su capacidad de servicio.
2. Limpie la unidad con un trapo embebido en aceite para evitar la formación de óxido, especialmente en la cuña y la vigueta.
3. Vacíe el tanque de combustible. Drene siempre el combustible dentro de un recipiente aprobado y al aire libre, lejos de cualquier llama expuesta. Asegúrese de que el motor esté frío antes de drenar el combustible. No fume mientras trabaja con combustible.
4. Encienda el motor y déjelo funcionar hasta que las líneas de combustible y el carburador estén vacíos.
5. Retire la bujía de encendido. Sosteniendo un trapo sobre el orificio del cilindro, vierta aproximadamente 1/2 onza (una cucharada, más o menos) de aceite para motor en el cilindro y dé marcha al motor lentamente para distribuir el aceite.
6. Vuelva a colocar la bujía.
7. No guarde gasolina de una temporada a la otra.
8. Reemplace el recipiente de gasolina si comienza a oxidarse. La presencia de óxido o polvo en la gasolina causa problemas.
9. Almacénela en un área despejada y seca. No la almacene cerca de productos corrosivos como por ejemplo fertilizantes.

**NOTA:** Si la almacena en un galpón de depósito mal ventilado o metálico, asegúrese de realizarle un tratamiento anti-oxidante al equipo cubriéndolo con aceite ligero o silicona.



Problema	Causa	Solución
El motor no arranca	<ol style="list-style-type: none"> <li>1. Se ha desconectado el cable de la bujía.</li> <li>2. El depósito de combustible está vacío o el combustible se ha echado a perder.</li> <li>3. El cebador no está en la posición CHOKE (cebador).</li> <li>4. La bujía no funciona correctamente.</li> <li>5. La línea del combustible está bloqueada.</li> <li>6. La palanca de control del regulador no está en la posición de arranque correcta.</li> </ol>	<ol style="list-style-type: none"> <li>1. Conecte el cable a la bujía.</li> <li>2. Llene el tanque con gasolina limpia y nueva.</li> <li>3. Ponga el obturador en la posición CHOKE (obturador).</li> <li>4. Limpie, ajuste la separación, o cambie la bujía.</li> <li>5. Limpie la línea del combustible.</li> <li>6. Mueva la palanca del regulador a la posición FAST (velocidad rápida).</li> </ol>
El motor funciona de manera errática	<ol style="list-style-type: none"> <li>1. La unidad está funcionando con el cebador (CHOKE) activado.</li> <li>2. El cable de la bujía está flojo.</li> <li>3. La línea del combustible está tapada o el combustible se ha echado a perder.</li> <li>4. Agua o suciedad en el sistema de combustible.</li> <li>5. El filtro de aire está sucio.</li> <li>6. El carburador no está bien regulado.</li> </ol>	<ol style="list-style-type: none"> <li>1. Mueva la palanca del obturador a la posición OFF (apagado).</li> <li>2. Conecte y ajuste el cable de la bujía.</li> <li>3. Limpie la línea de combustible; llene el tanque con gasolina limpia y nueva.</li> <li>4. Vacíe el tanque de combustible. Vuelva a llenar el tanque con combustible nuevo.</li> <li>5. Limpie o cambie el filtro de aire.</li> <li>6. Consulte al distribuidor de servicio autorizado.</li> </ol>
El motor recalienta	<ol style="list-style-type: none"> <li>1. El nivel de aceite del motor está bajo.</li> <li>2. El filtro de aire está sucio.</li> <li>3. El carburador no está bien regulado.</li> </ol>	<ol style="list-style-type: none"> <li>1. Llene el cárter con aceite adecuado.</li> <li>2. Limpie o cambie el filtro de aire.</li> <li>3. Consulte al distribuidor de servicio autorizado.</li> </ol>
La varilla del cilindro no se mueve	<ol style="list-style-type: none"> <li>1. El eje de accionamiento está roto.</li> <li>2. Se han dejado los tapones de envío en las mangueras hidráulicas.</li> <li>3. Los tornillos de fijación del acoplamiento no están ajustados adecuadamente.</li> <li>4. El acoplamiento del eje está flojo.</li> <li>5. Hay partes de los engranajes dañadas.</li> <li>6. La válvula de descarga está dañada.</li> <li>7. Las tuberías hidráulicas están bloqueadas.</li> <li>8. El nivel de aceite es incorrecto.</li> <li>9. La válvula direccional está dañada.</li> <li>10. La válvula direccional está bloqueada.</li> </ol>	<ol style="list-style-type: none"> <li>1. Consulte al distribuidor de servicio autorizado.</li> <li>2. Desconecte las mangueras hidráulicas, retire los tapones colocados para el envío, vuelva a conectar las mangueras.</li> <li>3. Consulte la Sección de Mantenimiento para corregir el ajuste.</li> <li>4. Corrija la alineación del motor/la bomba según sea necesario.</li> <li>5. Consulte al distribuidor de servicio autorizado.</li> <li>6. Consulte al distribuidor de servicio autorizado.</li> <li>7. Enjuague y limpie el sistema hidráulico.</li> <li>8. Revise el nivel de aceite.</li> <li>9. Consulte al distribuidor de servicio autorizado.</li> <li>10. Enjuague y limpie el sistema hidráulico.</li> </ol>

Problema	Causa	Solución
Velocidad lenta del eje del cilindro durante la extensión o retracción.	<ol style="list-style-type: none"> <li>1. Hay partes de los engranajes dañadas.</li> <li>2. Vacío excesivo en la entrada de la bomba.</li> <li>3. Velocidad del motor lenta.</li> <li>4. La válvula de descarga está dañada.</li> <li>5. El nivel de aceite es incorrecto.</li> <li>6. El aceite está contaminado.</li> <li>7. La válvula direccional tiene pérdidas internas.</li> <li>8. El cilindro está dañado internamente.</li> </ol>	<ol style="list-style-type: none"> <li>1. Consulte al distribuidor de servicio autorizado.</li> <li>2. Asegúrese de que las mangueras de entrada de la bomba estén despejadas y sin bloqueos; use mangueras de entrada cortas, de diámetro grande.</li> <li>3. Consulte al distribuidor de servicio autorizado.</li> <li>4. Consulte al distribuidor de servicio autorizado.</li> <li>5. Revise el nivel de aceite.</li> <li>6. Vacíe el aceite, limpie el depósito y vuelva a llenarlo.</li> <li>7. Consulte al distribuidor de servicio autorizado.</li> <li>8. Consulte al distribuidor de servicio autorizado.</li> </ol>
Cilindro con pérdidas	<ol style="list-style-type: none"> <li>1. Juntas rotas.</li> <li>2. Cilindro ranurado.</li> </ol>	<ol style="list-style-type: none"> <li>1. Consulte al distribuidor de servicio autorizado.</li> <li>2. Consulte al distribuidor de servicio autorizado.</li> </ol>
El motor funciona pero la madera no se corta o se corta con demasiada lentitud	<ol style="list-style-type: none"> <li>1. La sección de engranajes pequeños está dañada.</li> <li>2. La válvula de retención de la bomba tiene pérdidas.</li> <li>3. Vacío excesivo en la entrada de la bomba.</li> <li>4. El nivel de aceite es incorrecto.</li> <li>5. El aceite está contaminado.</li> <li>6. La válvula direccional tiene pérdidas internas.</li> <li>7. Sobrecarga de cilindro.</li> <li>8. El cilindro está dañado internamente.</li> </ol>	<ol style="list-style-type: none"> <li>1. Consulte al distribuidor de servicio autorizado.</li> <li>2. Consulte al distribuidor de servicio autorizado.</li> <li>3. Asegúrese de que las mangueras de entrada estén despejadas y sin bloqueos.</li> <li>4. Revise el nivel de aceite.</li> <li>5. Vacíe el aceite, limpie el depósito y vuelva a llenarlo.</li> <li>6. Consulte al distribuidor de servicio autorizado.</li> <li>7. No intente cortar madera en sentido transversal a la veta.</li> <li>8. Consulte al distribuidor de servicio autorizado.</li> </ol>
El motor se detiene mientras está cortando	<ol style="list-style-type: none"> <li>1. Baja potencia/motor débil.</li> <li>2. Sobrecarga de cilindro.</li> </ol>	<ol style="list-style-type: none"> <li>1. Consulte al distribuidor de servicio autorizado.</li> <li>2. No intente cortar madera en sentido transversal a la veta o consulte al distribuidor de servicio autorizado.</li> </ol>
El motor no gira o se detiene en condiciones de carga baja	<ol style="list-style-type: none"> <li>1. Alineación incorrecta del motor/la bomba.</li> <li>2. Bomba congelada o atascada.</li> <li>3. Baja potencia/motor débil.</li> <li>4. Las tuberías hidráulicas están bloqueadas.</li> <li>5. La válvula direccional está bloqueada.</li> </ol>	<ol style="list-style-type: none"> <li>1. Corrija la alineación según sea necesario.</li> <li>2. Consulte al distribuidor de servicio autorizado.</li> <li>3. Consulte al distribuidor de servicio autorizado.</li> <li>4. Enjuague y limpie el sistema hidráulico.</li> <li>5. Enjuague y limpie el sistema hidráulico.</li> </ol>
La junta del eje de la bomba pierde	<ol style="list-style-type: none"> <li>1. El eje de accionamiento está roto.</li> <li>2. Alineación incorrecta del motor/la bomba.</li> <li>3. Hay partes de los engranajes dañadas.</li> <li>4. La junta del eje no está bien posicionada.</li> <li>5. Respiradero de aceite tapado.</li> </ol>	<ol style="list-style-type: none"> <li>1. Consulte al distribuidor de servicio autorizado.</li> <li>2. Corrija la alineación según sea necesario.</li> <li>3. Consulte al distribuidor de servicio autorizado.</li> <li>4. Consulte al distribuidor de servicio autorizado.</li> <li>5. Asegúrese de que el depósito tenga ventilación adecuada.</li> </ol>



# GARANTÍA LIMITADA DEL FABRICANTE PARA



La siguiente garantía limitada es otorgada por MTD LLC con respecto a nuevos productos adquiridos y utilizados en Estados Unidos y/o sus territorios y posesiones, y por MTD Products Limited con respecto a nuevos productos adquiridos y utilizados en Canadá y/o sus territorios y posesiones (cualquiera de las dos entidades, respectivamente, "MTD").

"MTD" garantiza este producto (excluidas las *Piezas y Accesorios con Desgaste Normal* según se describe más abajo) contra defectos en los materiales y mano de obra por un período de dos (2) años a partir de la fecha de compra original y, a su opción, reparará o reemplazará, sin costo alguno, cualquier pieza que presente defectos en los materiales o de mano de obra. Esta garantía limitada sólo se aplicará si el producto ha sido operado y mantenido de acuerdo con las instrucciones del Manual del Operador que se proporciona con el producto y no ha sido objeto de uso inapropiado, abuso, uso comercial, abandono, accidente, mantenimiento incorrecto, alteración, vandalismo, robo, incendio, inundación o algún daño debido a otro peligro o desastre natural. El daño resultante por la instalación o el uso de piezas, accesorios o aditamentos no aprobados por MTD para su uso con el(los) producto(s) incluido(s) en este manual anulará la garantía en lo que respecta a esos daños.

*Se garantiza que las Piezas con Desgaste Normal* están libres de defectos en los materiales y mano de obra por un período de treinta (30) días a partir de la fecha de compra. Las piezas sujetas a desgaste normal incluyen pero no se limitan a: baterías, correas, cuchillas, adaptadores para cuchillas, dientes, bolsas para pasto, ruedas, ruedas para la plataforma de la podadora tractor, asientos, zapatas antideslizantes, ruedas de fricción, placas de raspado, gomas helicoidales y neumáticos.

*Accesorios* - MTD garantiza que los accesorios de este producto están libres de defectos de material y mano de obra durante un período de un (1) año a partir de la fecha de compra o arrendamiento original del accesorio. Los accesorios incluyen, pero no se limitan a: colectores de césped y kits para abono.

**CÓMO SOLICITAR Y OBTENER SERVICIO TÉCNICO:** El servicio de la garantía está disponible, **CON COMPROBANTE DE COMPRA**, a través de su distribuidor local de servicio autorizado. Para localizar el distribuidor en su área:

## **En Estados Unidos de América**

Consulte las páginas amarillas, o póngase en contacto con MTD LLC en P.O. Box 361131, Cleveland, Ohio 44136-0019, llame al 1-800-800-7310, o visite nuestro sitio web en [www.mtdproducts.com](http://www.mtdproducts.com).

## **En Canadá**

Contacte MTD Products Limited, Kitchener, ON N2G 4J1, llame al 1-800-668-1238 o visite nuestro sitio web en [www.mtdcanada.com](http://www.mtdcanada.com).

Esta garantía limitada **no** ofrece cobertura en los siguientes casos:

- El motor o las piezas que lo componen. Estos productos pueden tener garantía del fabricante por separado. Consulte los términos y condiciones de la garantía aplicable del fabricante.
- Las bombas rompetroncos, válvulas y cilindros tienen una garantía separada de un año.
- Los artículos necesarios para el mantenimiento de rutina como por

ejemplo lubricantes, filtros, afiladores de cuchillas, sincronización del motor, los ajustes de los frenos, del embrague o de la plataforma y el deterioro normal del acabado exterior debido al uso o exposición.

- Mantenimiento no realizado por el distribuidor de servicio autorizado.
- MTD no extiende ninguna garantía para los productos vendidos o exportados fuera de los Estados Unidos de América y/o Canadá, y sus respectivas posesiones y territorios, excepto para aquellos vendidos a través de los canales autorizados de distribución de exportaciones de MTD.
- Piezas de reemplazo que no son piezas originales de MTD.
- Gastos de transporte y por visitas técnicas.
- MTD no garantiza este producto para uso comercial.

**No se aplican garantías implícitas, incluidas las garantías implícitas de comerciabilidad o de adecuación para un propósito determinado, después del período de aplicación de la garantía escrita expresa extendida más arriba para las piezas de acuerdo con su identificación. Ninguna otra garantía expresa, ni oral ni escrita, excepto la mencionada anteriormente, extendida por personas reales o jurídicas, incluidos los distribuidores o los minoristas con respecto a cualquier producto, obligará a MTD. Durante el plazo de la garantía el único recurso es la reparación o reemplazo del producto como se indicó anteriormente.**

**Las disposiciones incluidas en esta garantía proveen el recurso único y exclusivo que surge de las ventas. MTD no se hará responsable de ninguna pérdida o daño incidental o resultante, incluyendo sin limitación, los gastos incurridos para los servicios de mantenimiento del pasto, o los gastos de arrendamiento para reemplazar de manera transitoria un producto bajo garantía.**

Algunos estados no permiten la exclusión o limitación de los daños y perjuicios incidentales o directos, o las limitaciones sobre la duración de las garantías implícitas, por lo que las exclusiones o limitaciones mencionadas anteriormente pueden no ser de aplicación.

En ningún caso se obtendrá una compensación mayor al monto del precio de compra del producto vendido. **La alteración de las características de seguridad del producto anulará esta garantía.** Usted asume el riesgo y la responsabilidad de las pérdidas, daños o lesiones que sufran usted y sus bienes y / o otras personas y sus bienes como resultado del uso incorrecto o de la falta de capacidad para usar este producto.

Esta garantía limitada alcanza solamente al comprador original, o a la persona que recibió el producto de regalo.

## **CÓMO SE RELACIONA LA LEGISLACIÓN ESTATAL CON ESTA**

**GARANTÍA:** Esta garantía limitada le otorga derechos legales específicos y usted también puede tener otros derechos que varían de un estado a otro.

**IMPORTANTE:** El propietario debe presentar el Comprobante de compra original para obtener la cobertura de la garantía.

**MTD LLC, P.O. BOX 361131 CLEVELAND, OHIO 44136-0019, Teléfono: 1-800-800-7310**

**MTD Canada Limited - KITCHENER, ON N2G 4J1; teléfono 1-800-668-1238**