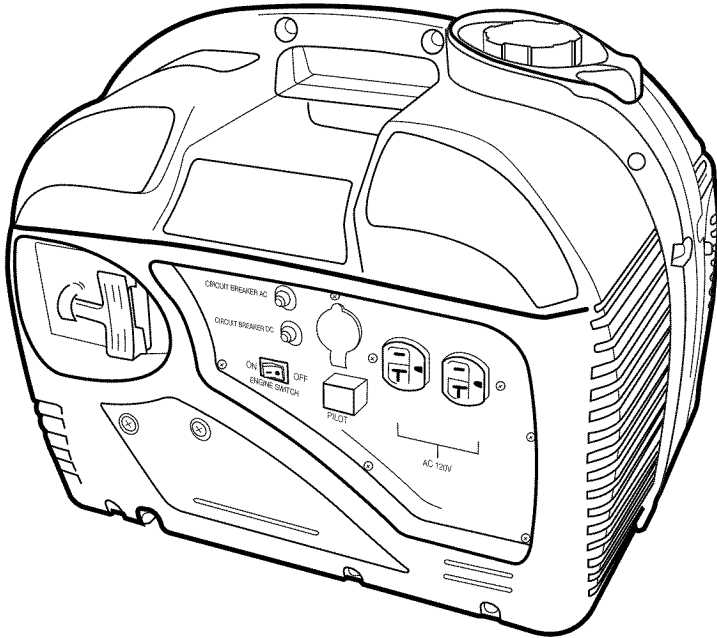


Owner's Manual

1200 Watt Generator



WARNING! To Reduce The Risk Of Injury, User Must Read And Understand Instruction Manual.

SP-GG120

FOR SERVICE CALL: 888-896-6881
PARA SERVICIO LLAME: 888-896-6881

www.steele-products.com

DANGER **Carbon Monoxide**

Using a generator indoors WILL KILL YOU IN MINUTES.

Carbon Monoxide

Generator exhaust contains high levels of carbon monoxide (CO), a poisonous gas you cannot see or smell. If you can smell the generator exhaust, you are breathing CO. But even if you cannot smell the exhaust, you could be breathing CO.

· NEVER use a generator inside homes, garages, crawlspaces, or other partly enclosed areas. Deadly levels of carbon monoxide can build up in these areas. Using a fan or opening windows and doors does NOT supply enough fresh air.

· ONLY use a generator outdoors and far away from open windows, doors, and vents. These openings can pull in generator exhaust.

Even when you use a generator correctly, CO may leak into the home. ALWAYS use a battery-powered or battery-backup CO alarm in the home.

If you start to feel sick, dizzy, or weak after the generator has been running, move to fresh air RIGHT AWAY. See a doctor. You could have carbon monoxide poisoning.

1200W Generator

Table of Contents

Topic	Page
Limited Warranty	3,4
Safety Guidelines	5
General Precautions	6,14
Assembly	15
Operation	16
Inspection, Cleaning and Maintenance	22,23
Installation	24,25
Trouble Shooting/Specifications	26
Wiring Diagram	27



Warning! Read and understand all safety precautions in this manual before operating. Failure to comply with instructions in this manual could result in personal injury, property damage, and/ or voiding of your warranty. Steele® will not be liable for any damage because of failure to follow these instructions.

Owner's Manual

Limited Warranty

Steele® warrants to the original purchaser who uses the product in a consumer application (personal, residential or household usage) that all products covered under this warranty are free from defects in material and workmanship for one year from the date of purchase. All products covered by this limited warranty which are used in commercial applications (i.e. income producing) are warranted to be free of defects in material and workmanship for 90 days from the date of original purchase. Products covered under this warranty include air compressors, air tools, service parts, pressure washers and generators.

Steele® will repair or replace, at Steele® sole option, products or components which have failed within the warranty period. Service will be scheduled according to the normal work flow and business hours at the service center location, and the availability of replacement parts. All decisions of Steele® with regard to this limited warranty shall be final.

This warranty gives you specific legal rights, and you may also have other rights which vary from state to state.

RESPONSIBILITY OF ORIGINAL PURCHASER (initial User):

To process a warranty claim on this product, DO NOT return item to the retailer. The product must be evaluated by an Authorized Warranty Service Center. For the location of the nearest Authorized Warranty Service Center contact the retailer or place of purchase.

Retain original cash register sales receipt as proof of purchase for warranty to work.

Use reasonable care in the operation and maintenance of the product as described in the Owner's Manual(s).

Deliver or ship the product to the Authorized Warranty Service Center. Freight costs, if any must be paid by the purchaser.

If the purchaser does not receive satisfactory results form the Authorized Warranty Service Center, the purchaser should contact Steele®.

1200W Generator

Limited Warranty (cont'd)

THIS WARRANTY DOES NOT COVER:

- Merchandise sold as reconditioned, used as rental equipment, or floor or display models.
- Merchandise that has become damaged or inoperative because of ordinary wear, misuse, cold, heat, rain, excessive humidity, freeze damage, use of improper chemicals, negligence, accident, failure to operate the product in accordance with the instructions provided in the Owner's Manual(s) supplied with the product, improper maintenance, the use of accessories or attachments not recommended by Steele®, or unauthorized repair or alterations.
- Repair and transportation costs of merchandise determine not to be defective.
- Costs associated with assembly, required oil, adjustments or other installation and start-up costs.
- Expendable parts or accessories supplied with the product which are expected to become inoperative or unusable after a reasonable period of use.
- Merchandise sold by Steele® which has been manufactured by and identified as the product of another company, such as gasoline engines. The product manufacturer's warranty, if any, will apply.
- ANY INCIDENTAL, INDIRECT OR CONSEQUENTIAL LOSS, DAMAGE, OR EXPENSE THAT MAY RESULT FROM ANY DEFECTS, FAILURE OR MALFUNCTION OF THE PRODUCT IS NOT COVERED BY THIS WARRANTY. Some states do not allow the exclusion, so it may not apply to you.
- IMPLIED WARRANTIES, INCLUDING THOSE OF MERCHANTABILITY OR FITNESS FOR A PARTICULAR PURPOSE, ARE LIMITED TO ONE YEAR FROM THE DATE OF ORIGINAL PURCHASE. Some states do not allow limitations on how long an implied warranty lasts, so the above limitations may not apply to you.

Owner's Manual

Safety Guidelines - Definitions

This manual contains important information that you need to know and understand in order to protect YOUR SAFETY and to PREVENT EQUIPMENT PROBLEMS. The following symbols help you recognize this information. Please read the manual and pay attention to these sections.

Save These Important Safety Instructions!

Read and understand all of these safety instructions. Be sure to retain them for future use.



WARNING! WARNINGS INDICATE A CERTAINTY OR STRONG POSSIBILITY OF PERSONAL INJURY OR DEATH IF INSTRUCTIONS ARE NOT FOLLOWED.



CAUTION: CAUTIONS INDICATE A POSSIBILITY OF EQUIPMENT DAMAGE IF INSTRUCTIONS ARE NOT FOLLOWED.



NOTE: NOTES GIVE HELPFUL INFORMATION



WARNING! IMPROPER OPERATION OR MAINTENANCE OF THIS PRODUCT COULD RESULT IN SERIOUS INJURY AND PROPERTY DAMAGE. READ AND UNDERSTAND ALL WARNINGS AND OPERATING INSTRUCTIONS BEFORE USING THIS EQUIPMENT. WHEN USING AIR TOOLS, BASIC SAFETY PRECAUTIONS SHOULD ALWAYS BE FOLLOWED TO REDUCE THE RISK OF PERSONAL INJURY.

1200W Generator

General Precautions



WARNING! FAILURE TO FOLLOW THESE INSTRUCTIONS CAN RESULT IN SEVERE INJURY OR DEATH.



DANGER **Carbon Monoxide**

Using a generator indoors WILL KILL YOU IN MINUTES.



Carbon Monoxide

Generator exhaust contains high levels of carbon monoxide (CO), a poisonous gas you cannot see or smell. If you can smell the generator exhaust, you are breathing CO. But even if you cannot smell the exhaust, you could be breathing CO.

- NEVER use a generator inside homes, garages, crawlspaces, or other partly enclosed areas. Deadly levels of carbon monoxide can build up in these areas. Using a fan or opening windows and doors does NOT supply enough fresh air.
- ONLY use a generator outdoors and far away from open windows, doors, and vents. These openings can pull in generator exhaust.

Even when you use a generator correctly, CO may leak into the home. ALWAYS use a battery-powered or battery-backup CO alarm in the home.

If you start to feel sick, dizzy, or weak after the generator has been running, move to fresh air RIGHT AWAY. See a doctor. You could have carbon monoxide poisoning.

Fuel and Oil

This product requires oil and fuel. Attempting to start the engine without oil will ruin the engine and void the warranty. Work in well ventilated area. Keep cigarettes, flames or sparks away from the work area or where fuel is stored.



WARNING! GASOLINE IS EXTREMELY FLAMMABLE AND IS EXPLOSIVE UNDER CERTAIN CONDITIONS. KEEP OUT OF REACH OF CHILDREN.

- Gasoline fuel and fumes are flammable and potentially explosive. Use proper fuel storage and handling procedures. Always have multiple ABC class fire extinguishers nearby.
- Keep the generator and surrounding area clean at all times.
- Fuel or oil spills must be cleaned up immediately. Dispose of fluids and cleaning materials as per any local, state, or federal codes and regulations. Store oily rags in a covered metal container.
- Never store fuel or other flammable materials near the generator.

Owner's Manual

General Precautions (cont'd)

Fuel and Oil (cont'd)

- Do not smoke, or allow sparks, flames or other sources of ignition around the engine and fuel tank. Fuel vapors are explosive.
- Keep grounded conductive objects, such as tools, away from exposed, live electrical parts and connections to avoid sparking or arcing. These events could ignite fumes or vapors.
- Do not refill the fuel tank while the engine is running or while the engine is still hot. Do not operate the generator with known leaks in the fuel system
- Excessive buildup of unburned fuel gases in the exhaust system can create a potentially explosive condition. This buildup can occur after repeated failed start attempts, valve testing, or hot engine shutdown. If this occurs, open exhaust system drain plugs, if equipped, and allow the gases to dissipate before attempting to restart the generator.
- Use only engine manufacturer recommended fuel and oil.

Hot Components



WARNING! ENGINE AND EXHAUST SYSTEM PARTS BECOME VERY HOT AND REMAIN HOT FOR SOME TIME AFTER THE ENGINE IS RUN. WEAR INSULATED GLOVES OR WAIT UNTIL THE ENGINE AND EXHAUST SYSTEM HAVE COOLED BEFORE HANDLING THESE PARTS.

Power Output

This generator is not designed to power sensitive electronic equipment (including computers and medical devices) without the addition of an approved line conditioner, which is sold separately.



CAUTION: ATTEMPTING TO POWER SENSITIVE ELECTRONIC EQUIPMENT WITHOUT THE USE OF AN APPROVED LINE CONDITIONER MAY CAUSE DAMAGE TO THE EQUIPMENT. STEELE® IS NOT RESPONSIBLE FOR ANY DIRECT OR INDIRECT DAMAGE CAUSED BY FAILURE TO USE AN APPROVED LINE CONDITIONER.

1200W Generator

General Precautions (cont'd)

Work Area

- Keep your work area clean and well lit. Cluttered benches and dark areas invite accidents.
- Do not operate power tools in explosive atmospheres, such as in the presence of flammable liquids, gases, or dust. Generators create sparks which may ignite the dust or fumes.
- Keep bystanders, children, and visitors away while operating a generator. Provide barriers or shields as needed.

Electrical Safety

- Grounded tools must be plugged into an outlet properly installed and grounded in accordance with all codes and ordinances. Never remove the grounding prong or modify the plug in any way. Do not use any adapter plugs.
- Grounding provides a low-resistance path to carry electricity away from the user in the event of an electrical malfunction.
- Double insulated tools are equipped with a polarized plug where one blade is wider than the other. This plug fits in a polarized outlet only one way. If the plug does not fit fully in the outlet, reverse the plug. If it still does not fit, contact a qualified electrician to install a polarized outlet. Do not change the plug in any way. Double insulation eliminates the need for the three-wire grounded power cord and grounded power supply system.
- Avoid body contact with grounded surfaces such as pipes, radiators, ranges, and refrigerators. There is an increased risk of electric shock if your body is grounded.
- Do not expose generator to rain or wet conditions. Water entering a generator will increase the risk of electric shock.
- Do not abuse the power cord. Keep power cords away from heat, oil, sharp edges, or moving parts. Replace damaged power cords immediately. Damaged power cords increase the risk of electric shock.
- When operating a power tool outside, use an outdoor extension cord marked “W-A” or “W”. These extension cords are rated for outdoor use, and reduce the risk of electric shock.



Owner's Manual

General Precautions (cont'd)

Electrical Safety (cont'd)

- All connections and conduits from the generator to the load must only be installed by trained and licensed electricians, and in compliance with all relevant local, state, and federal electrical codes and standards, and other regulations where applicable.
- The generator must be earth-grounded for fixed installations in accordance with all relevant electrical codes and standards before operation.
- Do not attempt to connect or disconnect load connections while standing in water, or on wet or soggy ground.
- Do not touch electrically energized parts of the generator and interconnecting cables or conductors with any part of the body, or with any non-insulated conductive object.
- Connect the generator only to a load or electrical system (120 volt) that is compatible with the electrical characteristics and rated capacities of the generator.
- Before servicing equipment powered by the generator, disconnect the equipment from its power input.
- Keep all electrical equipment clean and dry. Replace any wiring where the insulation is cracked, cut abraded or otherwise degraded. Replace terminals that are worn, discolored, or corroded. Keep terminals clean and tight.
- Insulate all connections and disconnected wires.
- Guard against electric shock. Prevent body contact with grounded surfaces such as pipes, radiators, ranges, and refrigerator enclosures.

Personal Safety

- Stay alert. Watch what you are doing, and use common sense when operating a generator. Do not use generator while tired or under the influence of drugs, alcohol, or medication. A moment of inattention while operating generators may result in serious personal injury.
- Dress properly. Do not wear loose clothing or jewelry. Contain long hair. Keep your hair, clothing, and gloves away from moving parts. Loose clothes, jewelry, or long hair can be caught in moving parts.

1200W Generator

General Precautions (cont'd)

Personal Safety (cont'd)

- Avoid accidental starting. Make sure the power switch is in its “OFF” position, and disconnect the spark plug wire when not in use.
- Remove adjusting keys or wrenches before turning the generator on. A wrench or a key that is left attached to a rotating part of the generator may result in personal injury.
- Do not overreach. Keep proper footing and balance at all times.
- Use safety equipment. Always wear eye protection. Wear ANSI approved safety impact eye goggles. Dust mask, non-skid safety shoes, hard hat, or hearing protection must be used for appropriate conditions.
- Do not force the generator. Use the correct generator for your application. The correct generator will do the job better and safer at the rate for which it is designed.
- Do not use the generator if the power switch does not turn it on or off. Any generator that cannot be controlled with the power switch is dangerous and must be replaced.

Generator Use and Care

Make sure the power switch is in its “OFF” position and disconnect the spark plug wire before making any adjustment, changing accessories, or storing the generator. Such preventive safety measures reduce the risk of starting the generator accidentally.

Store idle generators out of reach of children and other untrained persons. Generators are dangerous in the hands of untrained users.

Maintain generators with care. Do not use damaged generator. Tag damaged generators “Do not use” until repaired.

Check for misalignment or binding of moving parts, breakage of parts, and any other condition that may affect the generator’s operation. If damaged, have the generator serviced before using. Many accidents are caused by poorly maintained generators.

Use only accessories that are recommended by the manufacturer for your model. Accessories that may be suitable for one generator may become hazardous when used on another generator.

Owner's Manual

General Precautions (cont'd)

Servicing

Maintain labels and name plates on the generator and engine. These carry important information. If unreadable or missing, contact Steele® immediately for a replacement.

Generator service must be performed only qualified repair personnel. Service or maintenance performed by unqualified personnel could result in a risk of injury.

When servicing a generator, use only identical replacement parts. Follow all appropriate instructions in this manual. Use of unauthorized parts or failure to follow maintenance instructions may create a risk of electric shock or injury.

Heart Pacemakers



WARNING! PEOPLE WITH PACEMAKERS SHOULD CONSULT THEIR PHYSICIAN(S) BEFORE USING THIS PRODUCT. ELECTROMAGNETIC FIELDS IN CLOSE PROXIMITY TO A HEART PACEMAKER COULD CAUSE INTERFERENCE TO OR FAILURE OF THE PACEMAKER.

Installation

- Ensure installation meets all applicable safety, and local and national electrical codes. Have installation performed by a qualified, licensed electrician and building contractor.
- All electrical work, including the earth-ground connection, should be completed by a licensed electrician.
- Any separate fuel storage or generator supply facility must be built or installed in full compliance with all relevant local, state, and federal regulations.

1200W Generator

General Precautions (cont'd)

Installation (cont'd)

- If the generator is installed outdoors, it must be weatherproofed and should be soundproofed. It should not be run outdoors without protection to the generator and wiring conduit.
- The generator weighs 53lbs (approx). Two or more people should assist when moving or lifting this product. Never lift the generator using the engine or alternator lifting lugs. Connect lifting equipment to the frame of the generator
- Before lifting the generator, ensure the lift rigging and supporting structure are in good condition, and are rated to lift such a load.
- Keep all personnel away from the suspended generator during relocating.
- The supporting floor/ground surface should be level and strong enough to safely hold the weight of the generator. If the floor/grounded surface is not level, strong cross members should be placed under the full length of the generator frame at its low side.
- For trailer installation, the generator should be mounted on the center point of the trailer, over the wheels. The trailer must be capable of supporting the weight of the generator and all contents (tools, etc.)
- Install sound-and weather-proofing only when it is not raining or snowing to avoid trapping moisture within the generator's area.

Mechanical

- Always make sure the power switch is in its "OFF" position. Disconnect the spark plug wire, and allow the engine to completely cool before carrying out maintenance.
- Check for damaged parts. Before using the generator, any part that appears damaged should be carefully checked to determine that it will operate properly and perform its intended function. Check for alignment and binding of moving parts, any broken parts or mounting fixtures, and any other condition that may affect proper operation technician.
- The generator is designed with guards for protection from moving parts. In any case, care must still be taken to protect personnel and equipment from other mechanical hazards when working around the generator.

Owner's Manual

General Precautions (cont'd)

Mechanical (cont'd)

- Do not operate the generator with safety guards removed. While the generator is running, do not attempt to reach around the safety guard for maintenance or any other reason.
- Keep hands, arms, long hair, loose clothing, and jewelry away from moving parts. Be aware that when engine parts are moving fast they cannot be seen clearly.
- Keep access doors on enclosures closed and locked when access is not required.
- When working on or around the generator always wear protective clothing including ANSI approved safety gloves, safety eye goggles, and safety hat.
- Do not alter or adjust any part of the generator that is assembled and supplied by the manufacturer.
- Always follow and complete scheduled engine and generator maintenance.

Chemicals

- Avoid contact with hot fuel, oil, exhaust fumes, and hot solid surfaces.
- Avoid body contact with fuels, oils, and lubricants used in the generator. If swallowed, seek medical treatment immediately. Do not induce vomiting if fuel is swallowed. For skin contact, immediately wash with soap and water. For eye contact, immediately flush eyes with clean water and seek medical attention.

Noise

- Prolonged exposure to noise levels above 68 DBA is hazardous to hearing. Always wear ANSI approved ear protection when operating or working around the generator when it is running.

1200W Generator

General Precautions (cont'd)

Extension Cord

If an extension cord (not included) is used, make sure to use only UL approved cords having the correct gauge and length according to the following table:

	Nameplate Amps (@ full load)		Cord Lengths		
		0 ft.- 50 ft.	50 ft.-100 ft.	100 ft.-150 ft.	150 ft.-200 ft.
0 - 5	16 AWG	16 AWG	12 AWG	12 AWG	
5.1 - 8	16 AWG	14 AWG	10 AWG	-	
8.1 - 12	14 AWG	12 AWG	-	-	
12.1 - 15	12AWG	10 AWG	-	-	
15 - 20	10AWG	10 AWG	-	-	

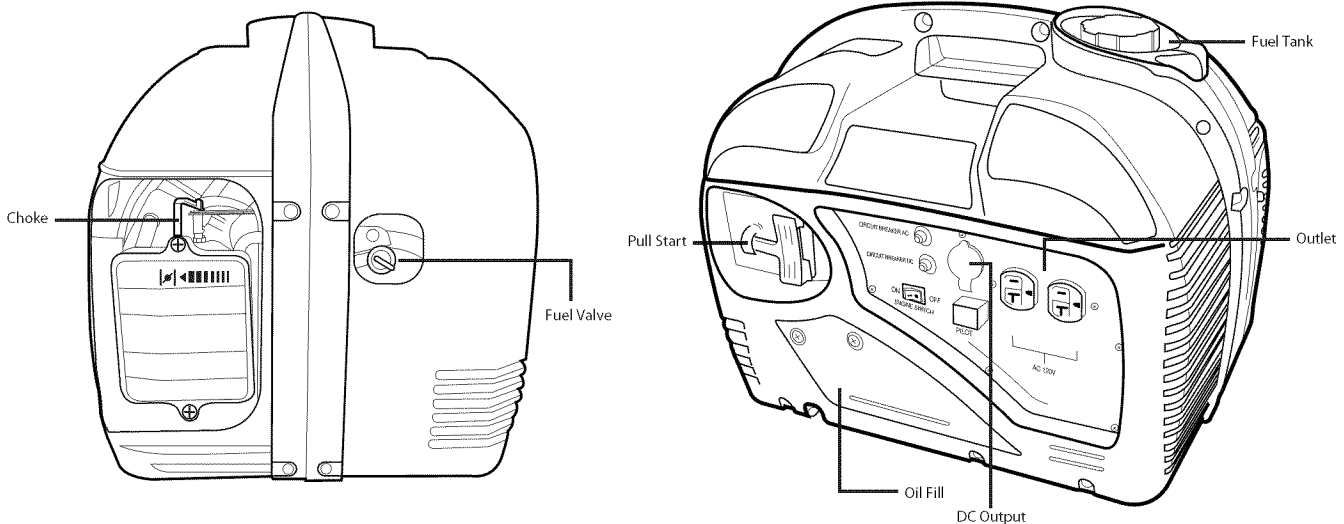
Owner's Manual

Assembly

There is no assembly required with this generator.

Owner's Manual

Operation



NOTE: THE PARTS LISTED ABOVE ARE HELPFUL FOR LOCATING THE CONTROLS MENTIONED BELOW.



CAUTION: PRIOR TO FIRST USING THE GENERATOR, THE ENGINE MUST BE FILLED WITH OIL OF A HIGH QUALITY SAE (10W-30) GRADE ENGINE OIL. TO DO SO, UNSCREW AND REMOVE THE ENGINE'S OIL DIPSTICK LOCATED AT THE BOTTOM OF THE ENGINE CRANKCASE. FILL THE ENGINE'S CRANKCASE UNTIL THE OIL LEVEL IS LEVEL WITH THE UPPER MARKED LINE ON THE DIPSTICK. THEN SCREW THE DIPSTICK BACK INTO THE OIL FILL HOLE.

Pull Start: Manual start.

Oil Fill: To check and fill oil. (10W-30 Grade Engine Oil)

Outlets: Plugs for appliances, etc.

Circuit Breaker: Breaker for outlets incase of overloads.

DC Output: Used for charging batteries only.

Choke: Used for cold starting the generator.

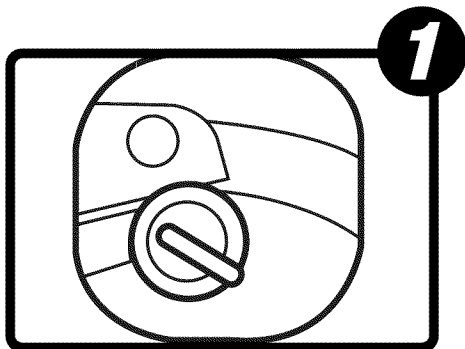
Fuel Valve: To allow fuel to the engine.

1200W Generator

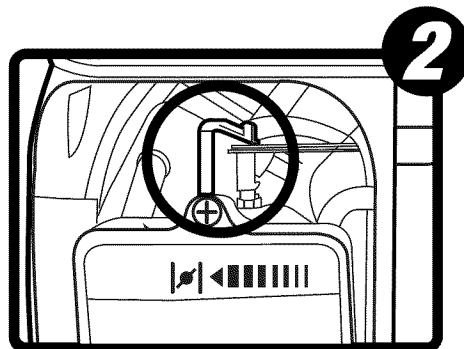
Operation (cont'd)

Starting Instructions

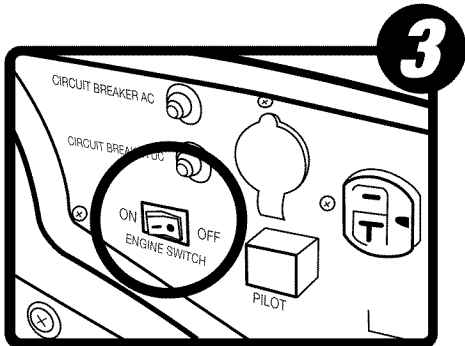
NOTE: Before you start generator make sure the unit has enough oil and fuel. Also disconnect all loads from generator.



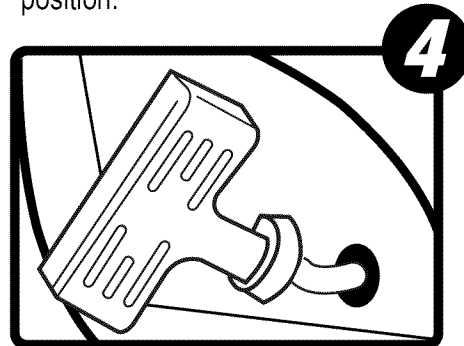
Turn the fuel valve to the OPEN position.



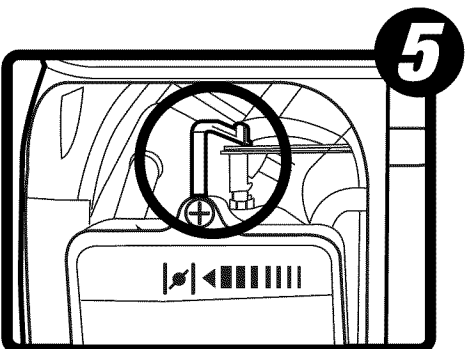
Put the Choke lever to the CHOKE position.



Turn the engine switch to the ON position.



Pull the recoil start until generator starts.



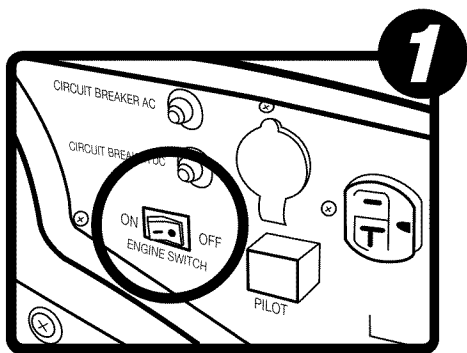
Put the Choke lever to the Run position after engine is warm.

Owner's Manual

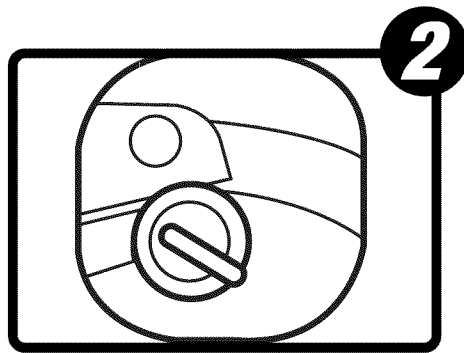
Operation (cont'd)

Shutting Down Generator

NOTE: Disconnect all loads from generator.



Turn the engine switch to the OFF position.



Turn the fuel valve to the CLOSE position.

1200W Generator

Operation (cont'd)

Powering 120 Volt AC Tools And Equipment:

1. Prior to powering tools and equipment, make sure the generator's rated voltage, and amperage capacity (120V AC @ 7.5 AMPs) is adequate to supply all electrical loads that the unit will power. If powering exceeds the generator's capacity, it may be necessary to group one or more of the tools and/or equipment for connection to a separate generator.



CAUTION: ATTEMPTING TO POWER SENSITIVE ELECTRONIC EQUIPMENT WITHOUT THE USE OF AN APPROVED LINE CONDITIONER MAY CAUSE DAMAGE TO THE EQUIPMENT. STEELE® IS NOT RESPONSIBLE FOR ANY DIRECT OR INDIRECT DAMAGE CAUSED BY FAILURE TO USE AN APPROVED LINE CONDITIONER.

2. Once the generator is running, simply connect the power cords of 120 volt AC powered tools and equipment into the 120 volt AC dual outlets.



NOTE: THE GENERATOR FEATURES AN AC NON-FUSE CIRCUIT BREAKER TO PROTECT THE AC CIRCUIT IN CASE OF AN OVERLOAD. SHOULD AN OVERLOAD OCCUR, THE BREAKER WILL "TRIP" TO ITS "OFF" POSITION.

3. Disconnect all electrical powered tools and equipment from the generator's 120 volt AC outlets.
4. After the engine and generator have completely cooled, store generator in a safe, clean, dry location (if not already installed).

Owner's Manual

Operation (cont'd)

The 12 Volt DC terminal

1. Only use equipment that fits this connection.
2. Start and run the engine as described above
3. When finished using the generator, turn the engine power switch to its "OFF" position. Turn the fuel valve to its "OFF" position.
4. After the engine and generator have completely cooled, store the generator in a safe, clean, dry location (if not already installed in one).

1200W Generator

Operation (cont'd)

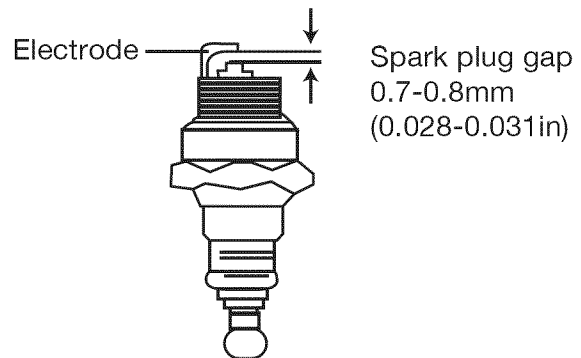
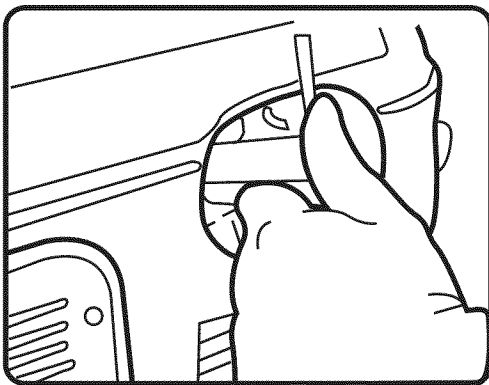
Spark Plug Service

In order to service the spark plug, you will need a spark plug wrench (commercially available). Recommended spark plugs: BPR5ES (NGK). To ensure proper engine operation, the spark plug must be properly gapped and free of deposits.

1. Remove the spark plug cap.
2. Use a spark plug wrench to remove the spark plug.
3. Visually inspect the spark plug. Discard it if the insulator is cracked or chipped. Clean the spark plug with a wire brush if it is to be reused.
4. Measure the plug gap with a feeler gauge.
5. Check that the spark plug washer is in good condition.
6. After the spark plug is seated, tighten spark plug in by hand to prevent cross-threading.
7. Tighten with a spark plug wrench to compress the washer.



NOTE: THE SPARK PLUG MUST BE SECURELY TIGHTENED. AN IMPROPERLY TIGHTENED SPARK PLUG CAN BECOME VERY HOT AND COULD DAMAGE THE ENGINE. NEVER USE SPARK PLUGS WHICH HAVE AN IMPROPER HEAT RANGE. USE ONLY RECOMMENDED SPARK PLUS OR EQUIVALENT.



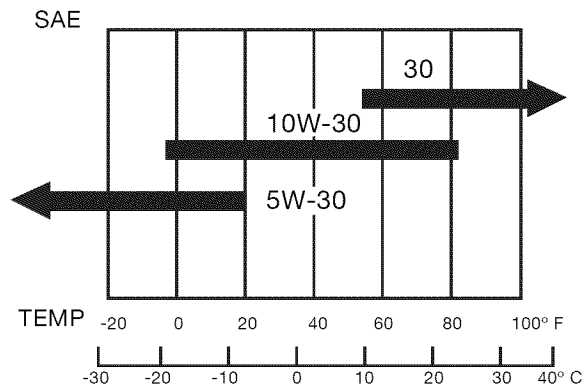
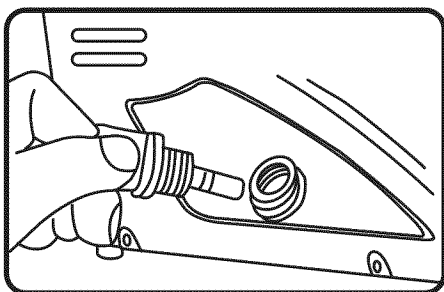
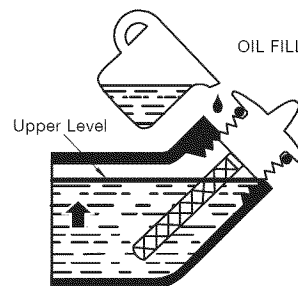
Owner's Manual

Inspection, Cleaning, and Maintenance



WARNING! ALWAYS MAKE SURE THE ENGINE POWER SWITCH IS IN ITS "OFF" POSITION. DISCONNECT THE SPARK PLUG WIRE FROM THE ENGINE. AND ALLOW SUFFICIENT TIME FOR THE ENGINE AND GENERATOR TO COMPLETELY COOL BEFORE PERFORMING ANY INSPECTIONS, MAINTENANCE, OR CLEANING.

- Before each use, inspect the generator. Check for:
 - Loose screws
 - Misaligned or binding moving parts
 - Any other condition that may affect safe operation.
 - Cracked or broken parts
 - Damaged electrical wiring
- If an engine problem occurs, have it checked by a qualified service technician before further use. Do not use damaged equipment.
- Before each use, make sure the engine's oil and fuel levels are adequate. If necessary, fill the crankcase until the oil level is even with the oil fill hole and/or fill the fuel tank.
- Before each use, remove all debris with a soft brush, rag, or vacuum.
- Lubricate all moving parts using a premium quality, lightweight machine oil.
- Every 50 hours of use, drain the old engine oil and replace with a high quality **SAE 10W-30** grade engine oil.
- Every 300 hours of use, have a qualified, certified technician perform thorough maintenance on the generator and engine.



1200W Generator

Maintenance Schedule

The maintenance procedures should be performed according to the following.

Period	Maintenance Required
Everyday Starting	<ul style="list-style-type: none">• Check the oil level• Fill fuel• Check recoil start• Check air intake and cooling area• Check fuel hose for cracks or damage
First 20 hours	<ul style="list-style-type: none">• Check oil
Every 25 hours	<ul style="list-style-type: none">• Check and adjust idle speed• Check air cleaner filter
Every 50 hours	<ul style="list-style-type: none">• Change engine oil
Every 100 hours	<ul style="list-style-type: none">• Check oil• Replace air filter• Check/clean spark plug• Check spark arrestor• Check/clean fuel valve• Check/clean carburetor
Annually or every 300 hours	<ul style="list-style-type: none">• Check and adjust the valves or clearance• Check cooling fan for damage• Change Spark arrestor

1200W Generator

Installation



NOTE: PRIOR TO POWERING TOOLS AND EQUIPMENT MAKE SURE THE GENERATOR'S RATED VOLTAGE, WATTAGE AND AMPERAGE CAPACITY IS ADEQUATE TO SUPPLY ALL ELECTRICAL LOADS THAT THE UNIT WILL POWER. IF POWERING EXCEEDS THE GENERATOR'S CAPACITY, IT MAY BE NECESSARY TO GROUP ONE OR MORE OF THE TOOLS AND/OR EQUIPMENT FOR CONNECTION TO A SEPARATE GENERATOR.

Electrical and other permits may be required for the installation of emergency power systems. Investigate your local building and electrical codes before installing this unit. Installation must be completed by licensed contractors.



WARNING! THE GENERATOR WEIGHS APPROXIMATELY 53 POUNDS. USE CARE AND THE PROPER LIFTING OR HOISTING EQUIPMENT WHEN MOVING IT TO THE INSTALLATION LOCATION. ALWAYS CONNECT HOIST LINES TO THE FRAME OF THE GENERATOR.

General Location

- Make sure to locate and install the generator outdoors where cooling air is readily available.
- Install the generator so that the air inlets and outlets are not blocked by obstructions such as bushes, trees, or snow drifts. Locating it in the path of heavy winds or snowdrifts may require the placement of a barrier for protection. In normal weather conditions, the air vent should face the prevailing wind direction.
- Install the generator on a concrete slab or other area where rain drainage or flood waters can not reach it.
- Generator placement should allow four feet of access to all sides for maintenance.

Owner's Manual

Installation (cont'd)

Supporting and Mounting

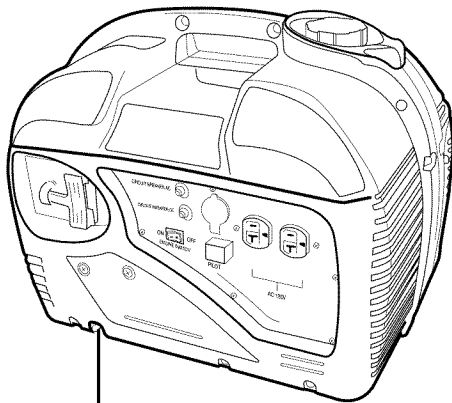
Mount the generator on a concrete slab capable of supporting the weight of the generator. The slab must extend on all sides beyond the frame by at least one foot. Contact a cement contractor for slab specifications if necessary. Attach the frame to the concrete slab using 3/8" diameter expansion anchor bolts (not supplied).

Grounding

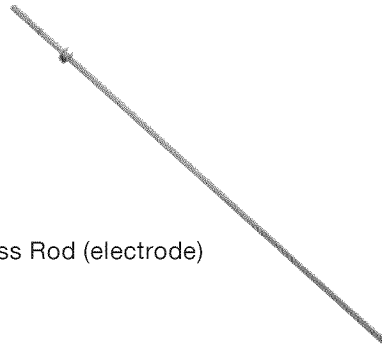


NOTE: IT IS RECOMMENDED THAT ONLY A TRAINED AND LICENSED ELECTRICIAN PERFORM THIS PROCEDURE

Connect a #6 AWG grounding wire (not included) from the ground connector on the generator power panel (picture below) to a grounding rod (picture below). It must be driven at least 24" deep into the earth (Soil). The grounding rod must be an earth-driven copper or brass (electrode) which can adequately ground the generator.



Ground Connector



Brass Rod (electrode)

Owner's Manual

Trouble Shooting

Possible Cause	No Fuel	Bad Fuel	Debris In Fuel Line	Debris In Air Fuel Line	Low Oil Level	Faulty Spark Plug	Overloaded
Problem							
Will Not Start	●		●	●	●	●	●
Difficulty Starting	●	●	●	●		●	●
Stops suddenly	●		●	●	●		●
Knocks		●				●	●
Lacks Power		●	●	●	●	●	●
Erratic Operation		●	●	●		●	●
Backfires			●	●		●	●
Skips		●	●	●		●	●
Overheats			●	●	●		●
High Fuel Consumption				●		●	

Specifications

GENERATOR		ENGINE	
Model	1200	Type	4-stroke OHV gas
Type	Single Phase	Displacement	87cc
Frequency	60Hz	Fuel	Gasoline
Voltage	120 v	Fuel Tank Capacity	4.7 lts./1.24 gal.
Max	1200 w	Oil Capacity	0.105 gal./0.42 qt.
Rated	1050 w	Ignition System	TCI
AC Output	120 v @ 8.75	Start	Recoil Start
DC Output	12 v @ 8.3 Amps	Oil Alert	Yes

Dimensions (LxWxH)

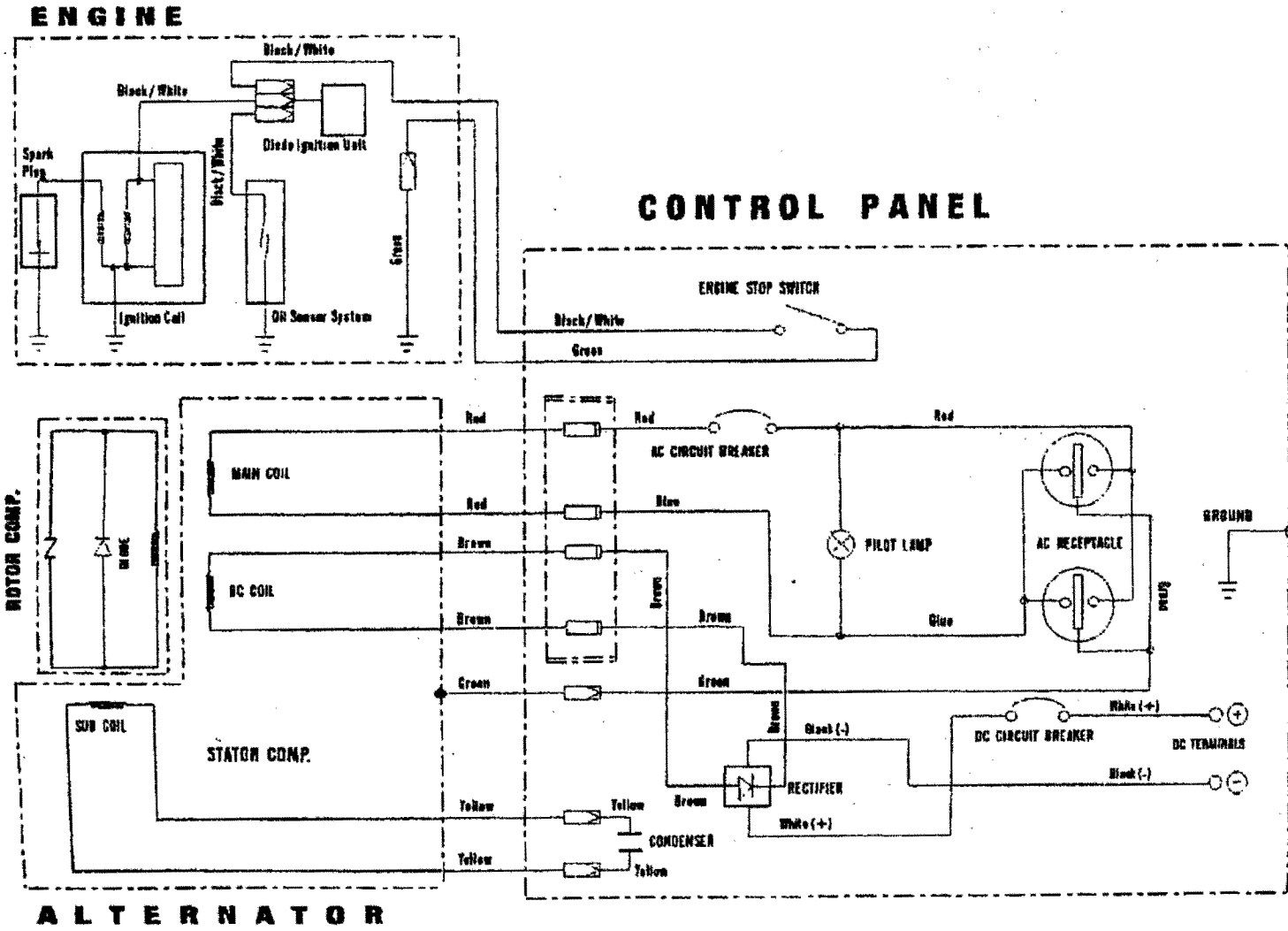
19"x14.1"x15.5" (485x360x395mm)

Weight

56.2 lbs (25 kgs)

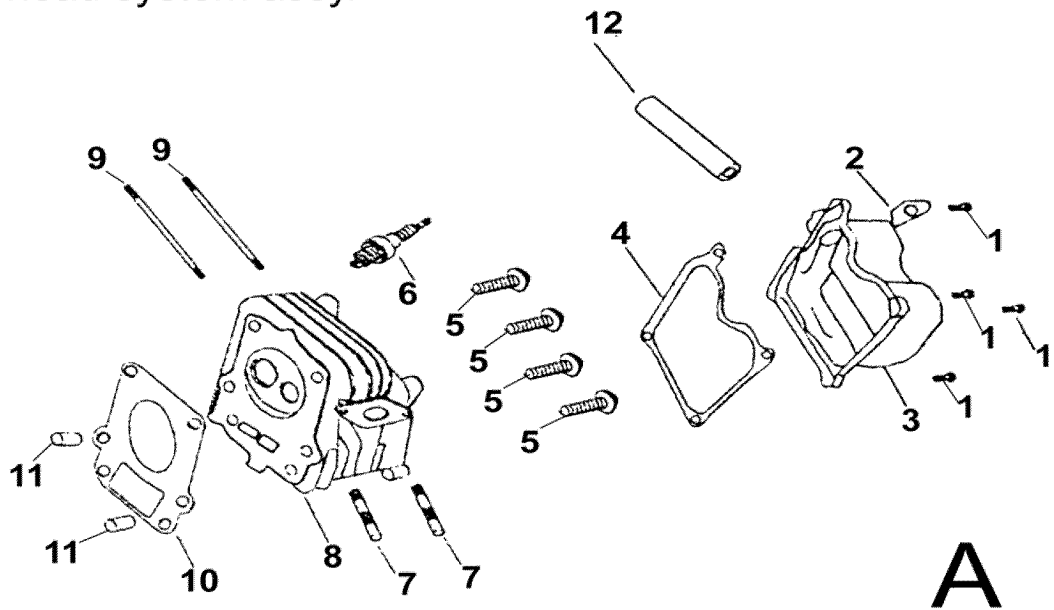
Owner's Manual

Wiring Diagram



1200W Generator

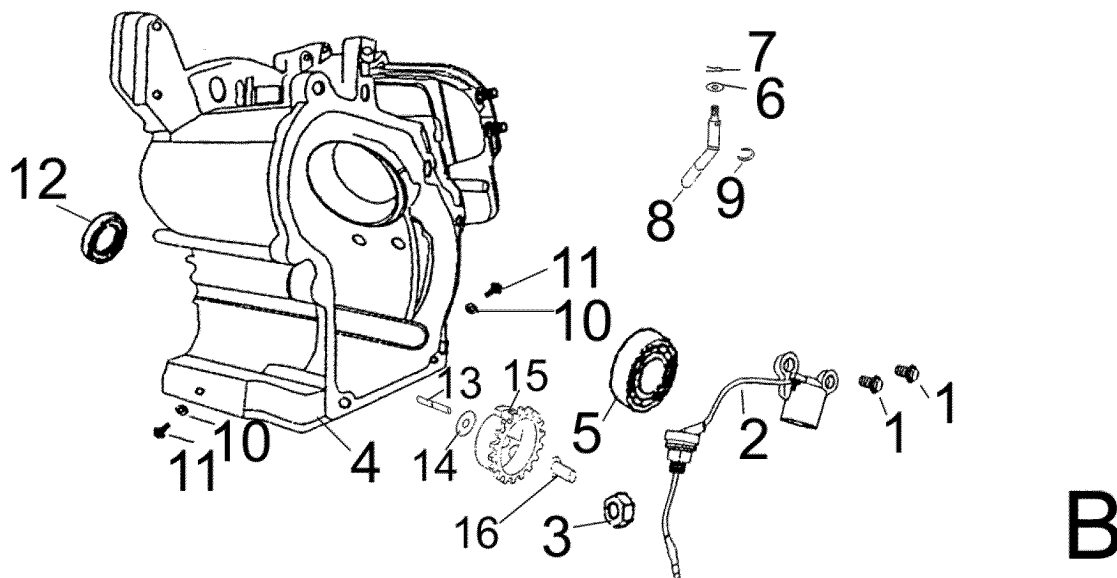
Cylinder head system assy.



SP Part No.	Description	Part. No
SP-GG1200-A-01	FLANGE BOLT(M6×12)	GE90-A-01
SP-GG1200-A-02	CLIP	GE90-A-02
SP-GG1200-A-03	HEAD COVER COMP	GE90-A-03
SP-GG1200-A-04	HEAD COVER PACKING	GE90-A-04
SP-GG1200-A-05	FLANGE BOLT(M8×55)	GE90-A-05
SP-GG1200-A-06	SPARK PLUG	GE90-A-06
SP-GG1200-A-07	EXHAUST PIPE STUD BOLT	GE90-A-07
SP-GG1200-A-08	CYLINDER HEAD COMP.	GE90-A-08
SP-GG1200-A-09	CARBURETOR STUD BOLT	GE90-A-09
SP-GG1200-A-10	CYLINDER HEAD SEALING PAD	GE90-A-10
SP-GG1200-A-11	DOWEL PIN(φ8×10)	GE90-A-11
SP-GG1200-A-12	BREATH TUBE	GE90-A-12

1200W Generator

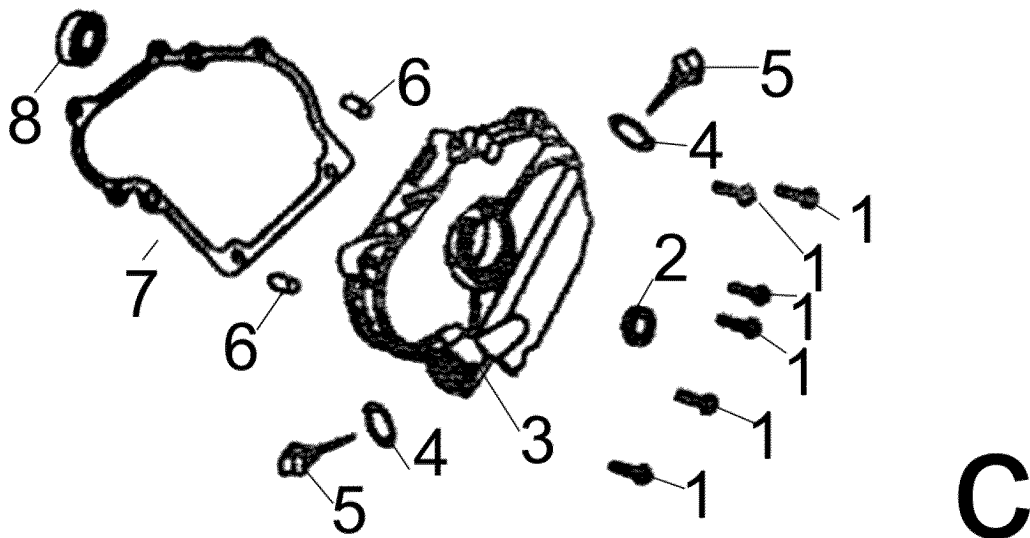
Cylinder barrel



SP Part No.	Description	Part. No
SP-GG120CM-B-01	FLANGE BOLT(M6×12)	GE90-A-01
SP-GG120CM-B-02	OIL LEVEL SWITCH ASSY.	GE90-B-01
SP-GG120CM-B-03	FLANGE NUT(M10)	GE90-B-02
SP-GG120CM-B-04	CRANK CASE	GE90-B-03
SP-GG120CM-B-05	BALL BEARING(6203)	GE90-B-04
SP-GG120CM-B-06	WASHER(φ8.3×φ17×1)	GE90-B-05
SP-GG120CM-B-07	LOCK PIN(10mm)	GE90-B-06
SP-GG120CM-B-08	GOVERNOR ARM SHAFT	GE90-B-07
SP-GG120CM-B-09	SNAP RING(φ8)	GE90-B-08
SP-GG120CM-B-10	DRAIN PLUG WASHER(12mm)	GE90-B-09
SP-GG120CM-B-11	DRAIN PLUG BOLT	GE90-B-10
SP-GG120CM-B-12	OIL SEAL(φ30×φ17×6)	GE90-B-11
SP-GG120CM-B-13	GOVERNOR SLIDER	GE90-B-12
SP-GG120CM-B-14	SLIDER WASHER(6mm)	GE90-B-13
SP-GG120CM-B-15	GOVERNOR GEAR	GE90-B-14
SP-GG120CM-B-16	SLIDER SHAFT	GE90-B-15

1200W Generator

Crankcase cover system assy.



SP Part No.	Description	Part. No
SP-GG120CM-C-01	FLANGE BOLT(M6×25)	GE90-C-01
SP-GG120CM-C-02	OIL SEAL($\phi 30 \times \phi 17 \times 6$)	GE90-B-11
SP-GG120CM-C-03	CRANKCASE COVER	GE90-C-02
SP-GG120CM-C-04	OIL SCALE SEAL RING	GE90-C-03
SP-GG120CM-C-05	OIL SCALE	GE90-C-04
SP-GG120CM-C-06	DOWEL PIN($\phi 8 \times 12$)	GE90-A-11
SP-GG120CM-C-07	CRANKCASE COVER PAD	GE90-C-05
SP-GG120CM-C-08	BALL BEARING(6303)	GE90-C-06

1200W Generator

Crankshaft system assy.

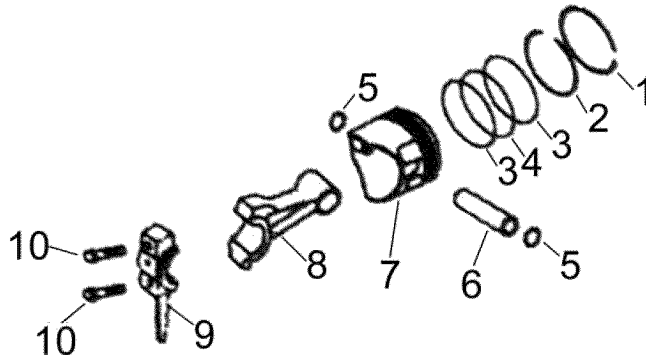


D

SP Part No.	Description	Part. No
SP-GG120CM-D-01	CRANKSHAFT COMP.	GE90-D-01

1200W Generator

Piston and connecting rod system assy.

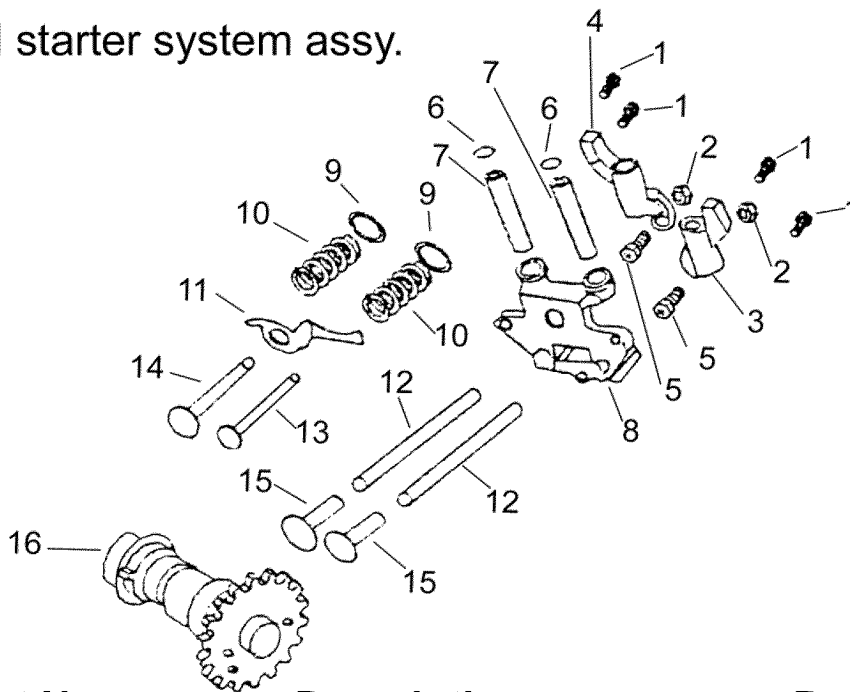


E

SP Part No.	Description	Part. No
SP-GG1200-E-01	COMPRESSION RING A	GE90-E-01
SP-GG1200-E-02	COMPRESSION RING B	GE90-E-02
SP-GG1200-E-03	OIL RING A	GE90-E-03
SP-GG1200-E-04	OIL RING B	GE90-E-04
SP-GG1200-E-05	PISTON PIN CLIP(14mm)	GE90-E-05
SP-GG1200-E-06	PISTON PIN	GE90-E-06
SP-GG1200-E-07	PISTON	GE90-E-07
SP-GG1200-E-08	CONNECTION ROD	GE90-E-08
SP-GG1200-E-09	CONNECTION COVER	GE90-E-09
SP-GG1200-E-10	CONNECTION ROD BOLT	GE90-E-10

1200W Generator

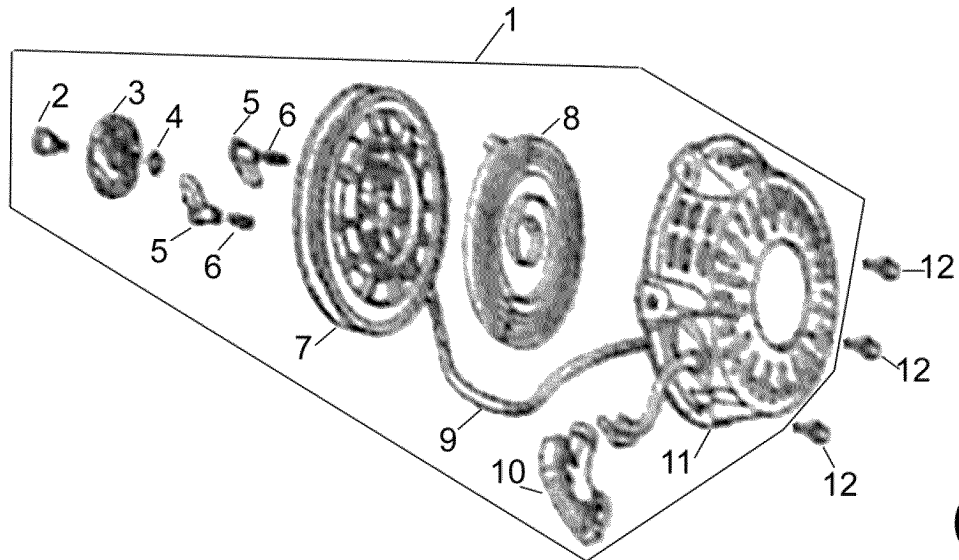
Recoil starter system assy.



SP Part No.	Description	Part. No
SP-GG1200-F-01	FLANGE BOLT(M6×16)	GE90-F-01
SP-GG1200-F-02	PIVOT ADJUSTING NUT	GE90-F-02
SP-GG1200-F-03	EXHAUST ROCKER ARM	GE90-F-03
SP-GG1200-F-04	INTAKE ROCKER ARM	GE90-F-04
SP-GG1200-F-05	VALVE SCREW	GE90-F-05
SP-GG1200-F-06	SNAP RING(φ7)	GE90-F-06
SP-GG1200-F-07	ROCKER ARM SHAFT	GE90-F-07
SP-GG1200-F-08	ROCKER ARM SUPPORT	GE90-F-08
SP-GG1200-F-09	VALVE SPRING RETAINER	GE90-F-09
SP-GG1200-F-10	VALVE SPRING	GE90-F-10
SP-GG1200-F-11	VALVE SPRING SEAT	GE90-F-11
SP-GG1200-F-12	ROD PUSH	GE90-F-12
SP-GG1200-F-13	EXHAUST VALVE	GE90-F-13
SP-GG1200-F-14	INTAKE VALVE	GE90-F-14
SP-GG1200-F-15	VALVE LIFTER	GE90-F-15
SP-GG1200-F-16	CAMSHAFT	GE90-F-16

1200W Generator

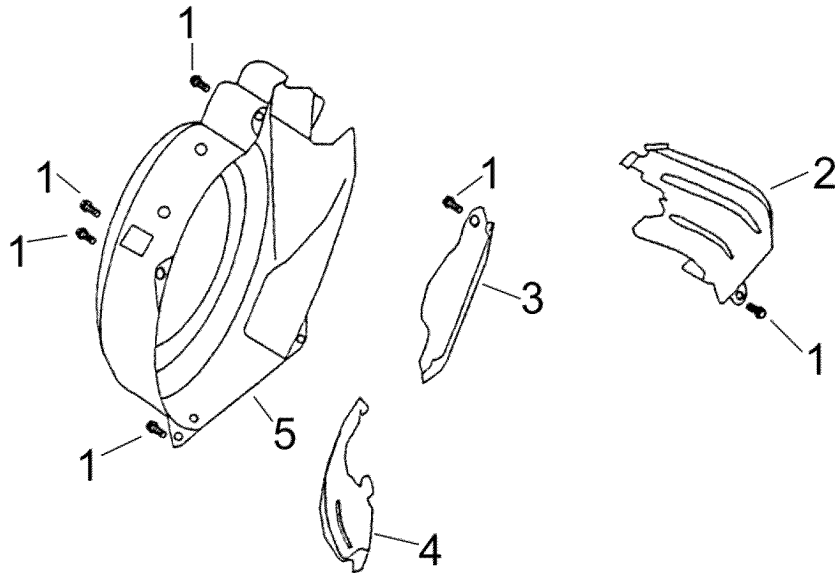
Recoil starter system assy.



SP Part No.	Description	Part. No
SP-GG1200-G-01	RECOIL STARTER ASSY.	GE90-G-01
SP-GG1200-G-02	SETTING SCREW	GE90-G-02
SP-GG1200-G-03	RATCHET GUIDE	GE90-G-03
SP-GG1200-G-04	SPRING FRICTION	GE90-G-04
SP-GG1200-G-05	STARTER RATCHET	GE90-G-05
SP-GG1200-G-06	RETURN SPRING	GE90-G-06
SP-GG1200-G-07	RECOIL STARTER REEL	GE90-G-07
SP-GG1200-G-08	START RETURN SPRING	GE90-G-08
SP-GG1200-G-09	RECOIL STARTER ROPE	GE90-G-09
SP-GG1200-G-10	STARTER KNOB	GE90-G-10
SP-GG1200-G-11	RECOIL STARTER CASE COMP.	GE90-G-11
SP-GG1200-G-12	FLANGE BOLT(M6×8)	GE90-G-12

1200W Generator

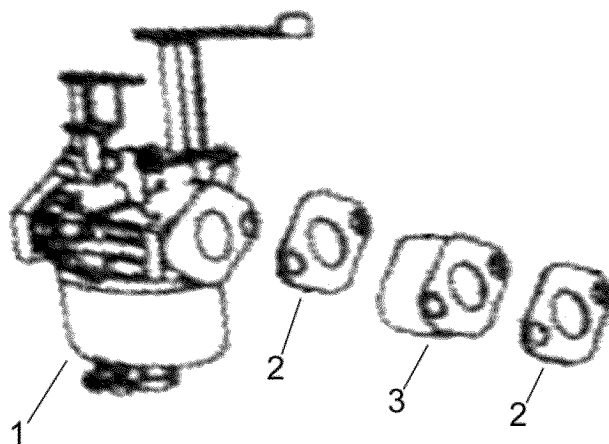
Fan cover system assy.



SP Part No.	Description	Part. No
SP-GG1200-H-01	FLANGE BOLT(M6×12)	GE90-A-01
SP-GG1200-H-02	SHROUD	GE90-H-01
SP-GG1200-H-03	SIDE PLACE A	GE90-H-02
SP-GG1200-H-04	SIDE PLACE B	GE90-H-03
SP-GG1200-H-05	FAN COVER COMP	GE90-H-04

1200W Generator

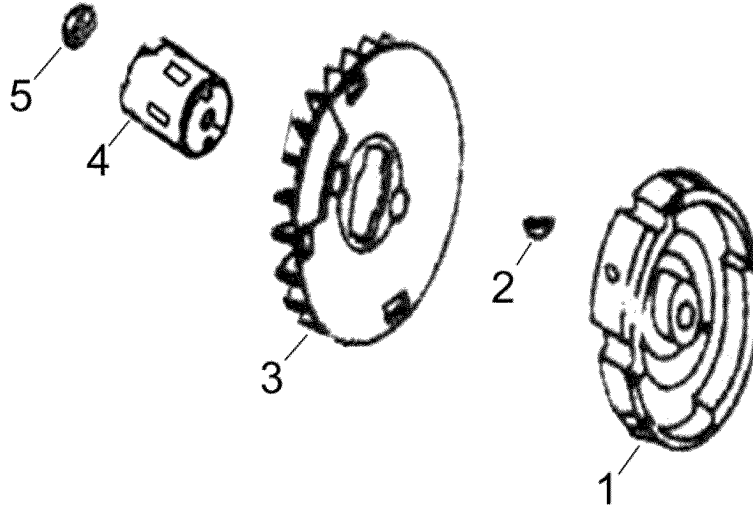
Carburetor system assy.



SP Part No.	Description	Part. No
SP-GG1200-I-01	CARBURETOR ASSY.	GE90-I-01
SP-GG1200-I-02	CARBURETOR GASKET	GE90-I-02
SP-GG1200-I-03	CARBURETOR INSULATING PLATE	GE90-I-03

1200W Generator

Flywheel system assy.

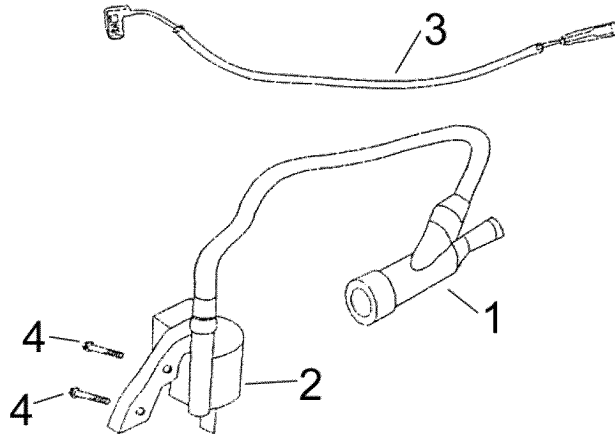


J

SP Part No.	Description	Part. No
SP-GG1200-J-01	FLYWHEEL	GE90-J-01
SP-GG1200-J-02	SPECIAL WOODRUFF KEY	GE90-J-02
SP-GG1200-J-03	COOLING FAN	GE90-J-03
SP-GG1200-J-04	STARTER PULLEY	GE90-J-04
SP-GG1200-J-05	FLYWHEEL NUT(M12)	GE90-J-05

1200W Generator

Ignition system assy.

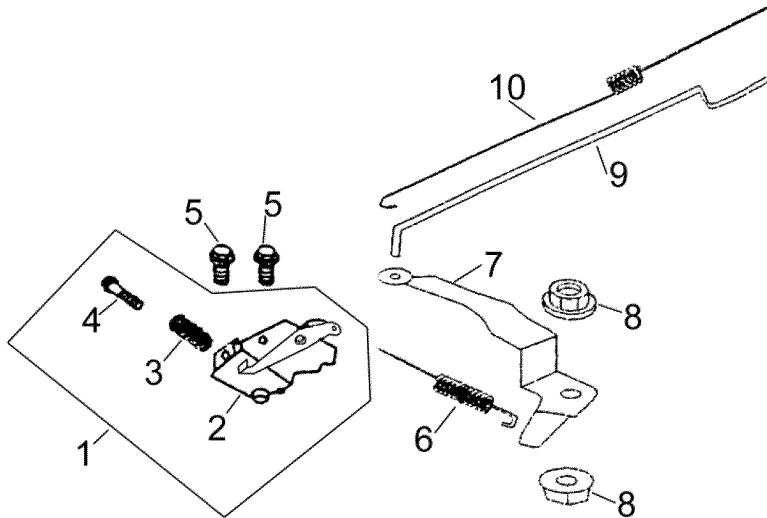


K

SP Part No.	Description	Part. No
SP-GG1200-K-01	SPARK PLUG CAP	GE90-K-01
SP-GG1200-K-02	IGNITION GOIL ASSY.	GE90-K-02
SP-GG1200-K-03	STOP SWITCH CORD	GE90-K-03
SP-GG1200-K-04	FLANGE BOLT(M6×20)	GE90-J-04

1200W Generator

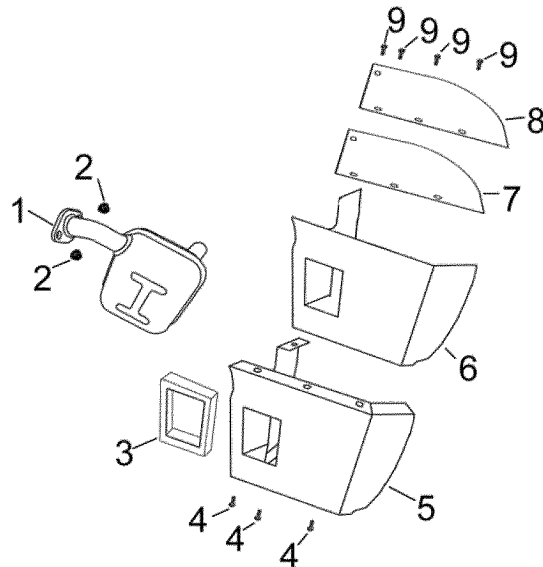
Control system assy.



SP Part No.	Description	Part. No
SP-GG1200-L-01	CONTROL ASSY.	GE90-L-01
SP-GG1200-L-02	CONTROL BASE COMP.	GE90-L-02
SP-GG1200-L-03	CONTROL ADJUSTING SPRING	GE90-L-03
SP-GG1200-L-04	PAN SCREW(M5×30)	GE90-L-04
SP-GG1200-L-05	FLANGE BOLT(M6×8)	GE90-G-12
SP-GG1200-L-06	GOVERNOR SPRING	GE90-L-05
SP-GG1200-L-07	GOVERNOR ARM	GE90-L-06
SP-GG1200-L-08	FLANGE NUT(M6)	GE90-L-07
SP-GG1200-L-09	GOVERNOR ROD	GE90-L-08
SP-GG1200-L-10	THROTTLE RETURN SPRING	GE90-L-09

1200W Generator

Muffler system assy.

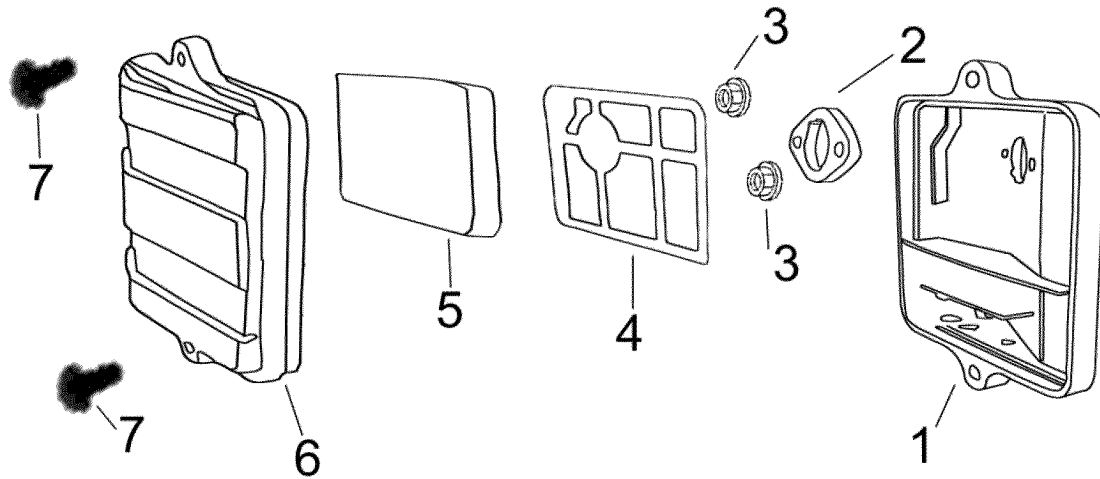


M

SP Part No.	Description	Part. No
SP-GG1200-M-01	MUFFLER COMP.	GG1200Q-M-01
SP-GG1200-M-02	FLANGE NUT(M8)	GG1200Q-M-02
SP-GG1200-M-03	OBSTRUCT COMBUSTION SPONGE	GG1200Q-M-03
SP-GG1200-M-04	FLANGE BOLT(M6×12)	GE90-A-01
SP-GG1200-M-05	MUFFLER SIDE PROTECTOR	GG1200Q-M-04
SP-GG1200-M-06	MUFFLER SIDE PROTECTOR ASBESTOS	GG1200Q-M-05
SP-GG1200-M-07	MUFFLER TOP PROTECTOR ASBESTOS	GG1200Q-M-06
SP-GG1200-M-08	MUFFLER TOP PROTECTOR	GG1200Q-M-07
SP-GG1200-M-09	FLANGE BOLT(M5×10)	GG1200Q-M-08

1200W Generator

Air cleaner

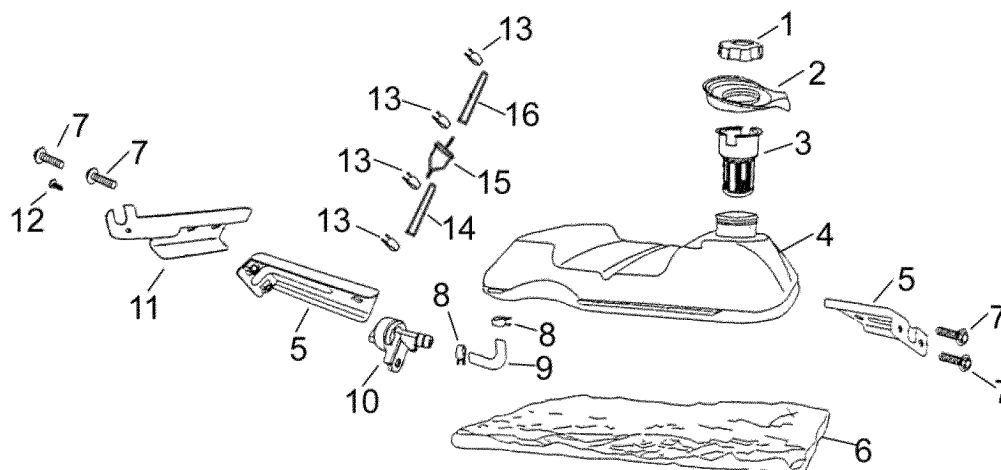


N

SP Part No.	Description	Part. No
SP-GG1200-N-01	AIR CLEANER CASE COMP.	GE90-N-01
SP-GG1200-N-02	AIR CLEANER CASE PLATE	GE90-N-02
SP-GG1200-N-03	FLANGE NUT(M6)	GE90-L-07
SP-GG1200-N-04	AIR CLEANER SEAL	GE90-N-03
SP-GG1200-N-05	AIR CLEANER ELEMENT	GE90-N-04
SP-GG1200-N-06	AIR CLEANER COVER COMP.	GE90-N-05
SP-GG1200-N-07	FLAT SCREW(M6×12)	GE90-N-06

1200W Generator

Fuel tank system assy.

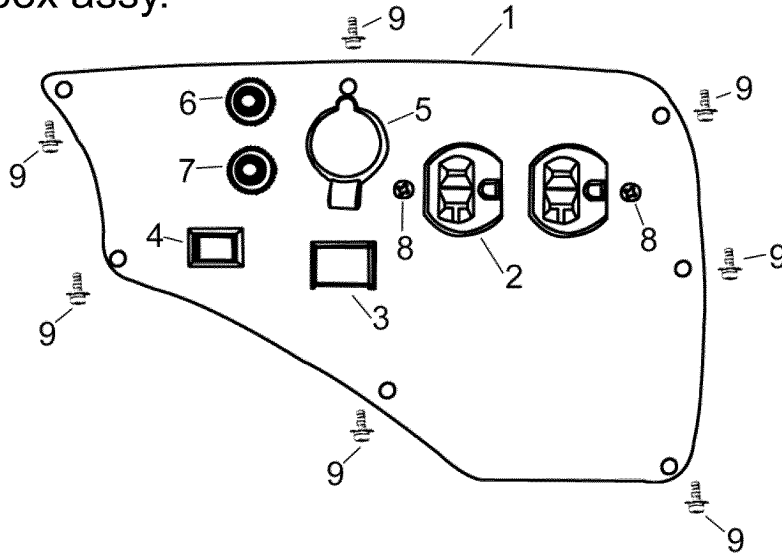


O

SP Part No.	Description	Part. No
SP-GG1200-O-01	FUEL FILLER CAP COMP.	GG1200Q-O-01
SP-GG1200-O-02	FUEL FILLER CAP SEAL	GG1200Q-O-02
SP-GG1200-O-03	FUEL FILTER	GG1200Q-O-03
SP-GG1200-O-04	FUEL TANK COMP.	GG1200Q-O-04
SP-GG1200-O-05	FUEL TANK BRACKET	GG1200Q-O-05
SP-GG1200-O-06	FUEL TANK ASBESTOS	GG1200Q-O-06
SP-GG1200-O-07	FLANGE BOLT(M6×12)	GE90-A-01
SP-GG1200-O-08	TUBE CLIP(φ9)	GG1200Q-O-07
SP-GG1200-O-09	FUEL TUBE(φ5.5)	GG1200Q-O-08
SP-GG1200-O-10	FUEL VALVE	GG1200Q-O-09
SP-GG1200-O-11	FUEL VALVE CLAMP	GG1200Q-O-10
SP-GG1200-O-12	FLAT SCREW(M5×12)	GG1200Q-O-11
SP-GG1200-O-13	TUBE CLIP(φ7)	GG1200Q-O-12
SP-GG1200-O-14	FUEL TUBE A(φ4.5)	GG1200Q-O-13
SP-GG1200-O-15	FILTER STRAINER ASSY.	GG1200Q-O-14
SP-GG1200-O-16	FUEL TUBE B(φ4.5)	GG1200Q-O-15

1200W Generator

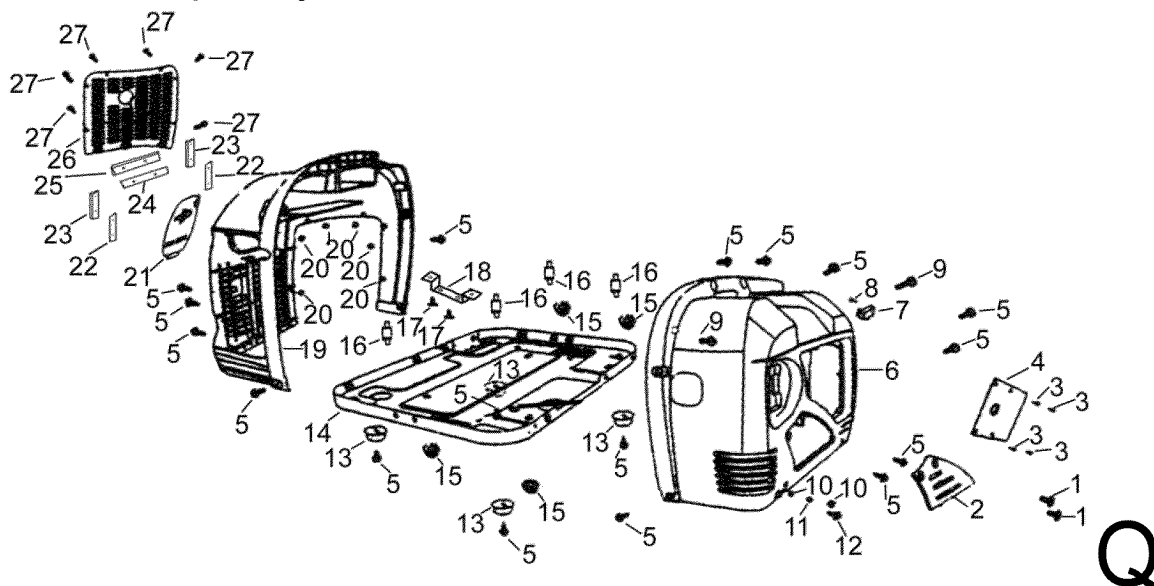
Control box assy.



SP Part No.	Description	Part. No
SP-GG1200-P-01	CONTROL PANEL COMP.	GG1200Q-P-01
SP-GG1200-P-02	120V RECEPTACLE(Ru-22)	GG1200Q-P-02
SP-GG1200-P-03	PILOT LAMP	GG1200Q-P-03
SP-GG1200-P-04	ENGINE SWITCH	GG1200Q-P-04
SP-GG1200-P-05	DC 12V OUTPUT	GG1200Q-P-05
SP-GG1200-P-06	CIRCUIT BREAKER(9A)	GG1200Q-P-06
SP-GG1200-P-07	CIRCUIT BREAKER(10A)	GG1200Q-P-07
SP-GG1200-P-08	PLAT SCREW(M4×10)	GG1200Q-P-08
SP-GG1200-P-09	PLAT SCREW(M4×7)	GG1200Q-P-09

1200W Generator

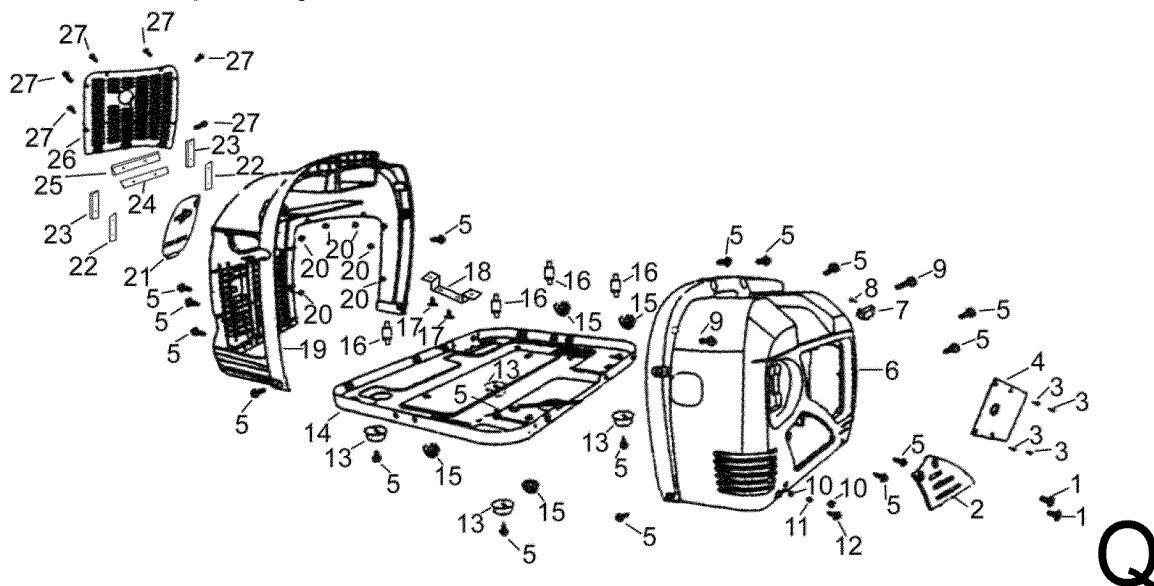
Frame comp assy.



SP Part No.	Description	Part. No
SP-GG1200-Q-01	FLAT SCREW(M6×12 φ 16)	GG1200Q-Q-01
SP-GG1200-Q-02	ENGINE OIL SERVICE COVER	GG1200Q-Q-02
SP-GG1200-Q-03	TAPPING SCREW(ST3.5×10)	GG1200Q-Q-03
SP-GG1200-Q-04	STARTER FITTING PLATE	GG1200Q-Q-04
SP-GG1200-Q-05	FLANGE BOLT(M6×12)	GE90-A-01
SP-GG1200-Q-06	FRONT FRAME COVER	GG1200Q-Q-05
SP-GG1200-Q-07	RECTIFIER COMP.	GG1200Q-Q-06
SP-GG1200-Q-08	TAPPING SCREW(ST4.2×18)	GG1200Q-Q-07
SP-GG1200-Q-09	FLAT SCREW(M5×16)	GG1200Q-Q-08
SP-GG1200-Q-10	NUT(M5)	GG1200Q-Q-09
SP-GG1200-Q-11	SPRING WASHER(5mm)	GG1200Q-Q-10
SP-GG1200-Q-12	BOLT(M5×16)	GG1200Q-Q-11
SP-GG1200-Q-13	BOTTOM RUBBER A	GG1200Q-Q-12
SP-GG1200-Q-14	BASE FRAME	GG1200Q-Q-13
SP-GG1200-Q-15	FLANGE NUT(M8)	GG1200Q-M-02
SP-GG1200-Q-16	BOTTOM RUBBER B	GG1200Q-Q-14
SP-GG1200-Q-17	FLAT SCREW(M8×12)	GG1200Q-Q-15

1200W Generator

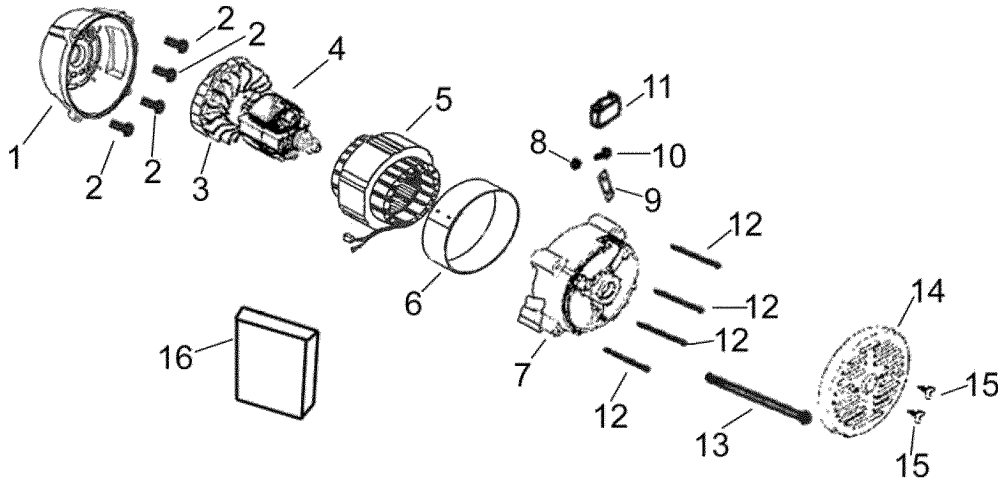
Frame comp assy.



SP Part No.	Description	Part. No
SP-GG1200-Q-18	ENGINE PLATE	GG1200Q-Q-16
SP-GG1200-Q-19	REAR FRAME COVER	GG1200Q-Q-17
SP-GG1200-Q-20	FLANGE NUT(M5)	GG1200Q-Q-18
SP-GG1200-Q-21	SPARK PLUG SERVICE COVER	GG1200Q-Q-19
SP-GG1200-Q-22	MUFFLER EXHAUST PROTECTOR PLATE A	GG1200Q-Q-20
SP-GG1200-Q-23	MUFFLER EXHAUST PROTECTOR ASBESTOS A	GG1200Q-Q-21
SP-GG1200-Q-24	MUFFLER EXHAUST PROTECTOR PLATE B	GG1200Q-Q-22
SP-GG1200-Q-25	MUFFLER EXHAUST PROTECTOR ASBESTOS B	GG1200Q-Q-23
SP-GG1200-Q-26	MUFFLER EXHAUST PROTECTOR	GG1200Q-Q-24
SP-GG1200-Q-27	FLAT SCREW(M5×12)	GG1200Q-O-11

1200W Generator

Generator



R

SP Part No.	Description	Part. No
SP-GG1200-R-01	CRANKCASE COVER	GG1200Q-R-01
SP-GG1200-R-02	FLAT SCREW(M8×20)	GG1200Q-R-02
SP-GG1200-R-03	COOLING FAN	GG1200Q-R-03
SP-GG1200-R-04	ROTOR COMP.	GG1200Q-R-04
SP-GG1200-R-05	STATOR ASSY.	GG1200Q-R-05
SP-GG1200-R-06	STATOR COVER	GG1200Q-R-06
SP-GG1200-R-07	GENERATOR STAY	GG1200Q-R-07
SP-GG1200-R-08	NUT(M4)	GG1200Q-R-08
SP-GG1200-R-09	CAPACITOR PLATE	GG1200Q-R-09
SP-GG1200-R-10	BOLT(M4×16)	GG1200Q-R-10
SP-GG1200-R-11	CAPACITOR	GG1200Q-R-11
SP-GG1200-R-12	FLANGE BOLT(M6×90)	GG1200Q-R-12
SP-GG1200-R-13	FLANGE BOLT(M8×160)	GG1200Q-R-13
SP-GG1200-R-14	GENERATOR COVER	GG1200Q-R-14
SP-GG1200-R-15	FLAT SCREW(M5×8)	GG1200Q-R-15
SP-GG1200-R-16	GENERATOR OBSTRUCT COMBUSTION SPONGE	GG1200Q-R-16