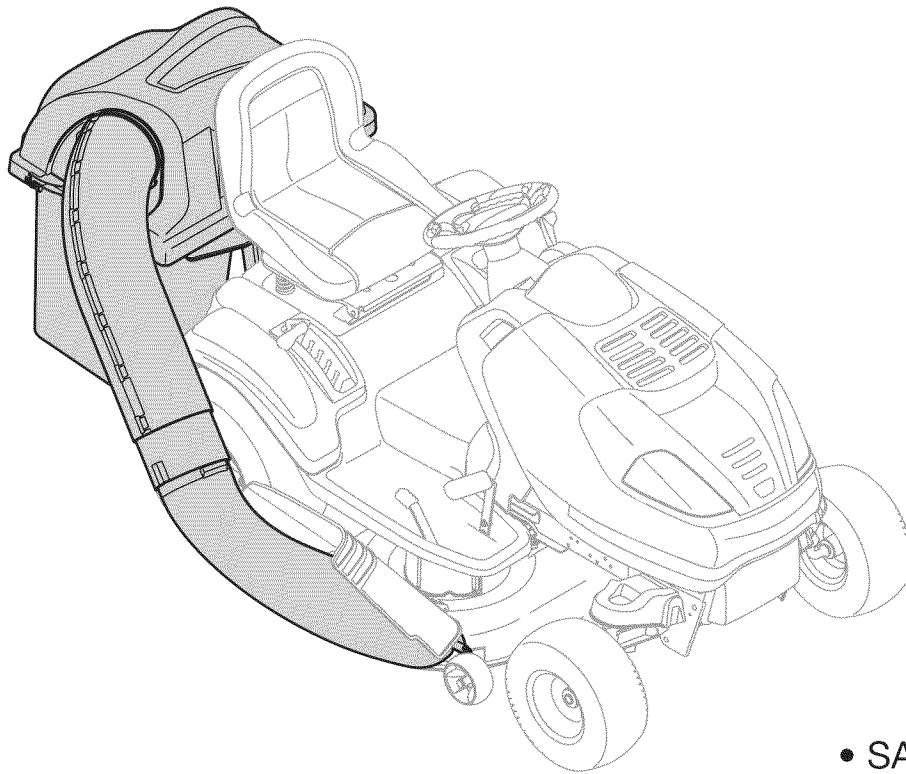


Operator's Manual

CRAFTSMAN®

42 in. Two Bin Rear Bagger for Revolution Zero-Turn Tractor

Model No. 24919



For answers to your questions about this product,
call 1-800-659-5917.

CAUTION: Before using
this product, read this
manual and follow all
safety rules and operating
instructions.

- SAFETY
- ASSEMBLY
- OPERATION
- PARTS LIST
- ESPAÑOL, p. 18

Sears, Roebuck and Co., Hoffman Estates, IL 60179, U.S.A.
Visit our web site: www.craftsman.com

FORM NO. 769-04672B
March 24, 2011

TABLE OF CONTENTS

Safe Operation Practices.....	3-4
Slope Guide.....	5
Contents of Carton & Hardware Packs.....	6-7
Assembly and Installation	8-14
Operation	15
Parts List	16-17
Español.....	18
Service Numbers	Back Cover

Craftsman Full Warranty

If this Craftsman product fails due to a defect in material or workmanship within one year from the date of purchase, return it to any Sears store or other Craftsman outlet in the United States for free replacement .

This warranty covers ONLY defects in material and workmanship. Sears will NOT pay for:

- Replacement of bags, which are expendable items that can wear out from normal use within the warranty period.
- Repairs necessary because of accident or failure to operate or maintain the product according to all supplied instructions.

This warranty applies for only 90 days if this product is ever used for commercial or rental purposes.

This warranty applies only while this product is used in the United States.

This warranty gives you specific legal rights, and you may also have other rights which vary from state to state.

Sears, Roebuck and Co., Hoffman Estates, IL 60179

SAFETY INSTRUCTIONS

WARNING

This symbol points out important safety instructions which, if not followed, could endanger the personal safety and/or property of yourself and others. Read and follow all instructions in this manual before attempting to operate this machine. Failure to comply with these instructions may result in personal injury. When you see this symbol, HEED ITS WARNING!

WARNING

CALIFORNIA PROPOSITION 65

Engine Exhaust, some of its constituents, and certain vehicle components contain or emit chemicals known to State of California to cause cancer and birth defects or other reproductive harm.

Battery posts, terminals, and related accessories contain lead and lead compounds, chemicals known to the State of California to cause cancer and reproductive harm. Wash hands after handling.

DANGER

This attachment was built to be used according to the safe operation practices in this manual. Carelessness or error on the part of the operator can result in serious injury. Mowers are capable of amputating hands and feet and throwing objects. Failure to observe the following safety instructions as well as the instructions provided with your mower, could result in serious injury or death.

WARNING

Your Responsibility—Restrict the use of this power machine to persons who read, understand and follow the warnings and instructions in this manual and on the machine.

SAVE THESE INSTRUCTIONS!

GENERAL OPERATION

- Read, understand, and follow all instructions on your equipment and in their manuals before attempting to assemble and operate. Keep this manual in a safe place for future and regular reference and for ordering replacement parts.
- To help avoid blade contact or a thrown object injury, keep bystanders, helpers, children and pets at least 75 feet from the mower while it is in operation. Stop machine if anyone enters the area.
- Thoroughly inspect the area where the equipment is to be used. Remove all stones, sticks, wire, bones, toys, and other foreign objects which could be picked up and thrown by the blade(s). Thrown objects can cause serious personal injury.
- Always wear safety glasses or safety goggles during operation and while performing an adjustment or repair to protect your eyes. Thrown objects which ricochet can cause serious injury to the eyes.
- Do not operate the mower without the discharge cover or entire grass catcher in its proper place. A missing or damaged discharge cover or grass bag attachment component may result in thrown objects or blade contact injuries.
- Do not put hands or feet near rotating parts or under the cutting deck. Contact with the blade(s) can amputate hands and feet.
- Shut off mower's engine and wait for blades to come to a complete stop before unlogging mower's discharge opening or bagger parts.
- Slow down before turning. Operate the machine smoothly. Avoid erratic operation and excessive speed. Be aware that a grass catcher attachment can affect the handling characteristics of your mower.
- Disengage blade(s), set parking brake, stop engine and wait until the blade(s) come to a complete stop before opening bagger attachment's top cover, removing grass catcher, emptying grass, unclogging chute, removing any grass or debris, or making any adjustments.
- Never leave a running machine unattended. Always turn off blade(s), place transmission in neutral, set parking brake, stop engine and remove key before dismounting.
- Your machine is designed to cut normal residential grass of a height no more than 10". Do not attempt to mow through unusually tall, dry grass (e.g., pasture) or piles of dry leaves. Dry grass or leaves may contact the engine exhaust and/or build up on the mower deck presenting a potential fire hazard.
- If situations occur which are not covered in this manual, use care and good judgment. Contact 1-800-659-5917 for assistance.

SAFETY INSTRUCTIONS

SLOPE OPERATION

Slopes are a major factor related to loss of control and tip-over accidents which can result in severe injury or death. Attachments can also affect the stability of the machine. All slopes require extra caution.

For your safety, use the slope guide included as part of this manual to estimate the angle of slopes before operating this machine on a sloped or hilly area. If the slope is greater than 10 degrees as shown on the slope guide, do not operate the mower with the grass bag attachment installed on that area or serious injury could result.

DO:

1. Mow up and down slopes, not across. Exercise extreme caution when changing direction on slopes.
2. Watch for holes, ruts, bumps, rocks, or other hidden objects. Uneven terrain could overturn the machine. Tall grass can hide obstacles.
3. Use slow speed. Choose a low enough speed setting so that you will not have to stop or shift while on the slope. Tires may lose traction on slopes even though the brakes are functioning properly. Always keep machine in gear when going down slopes to take advantage of engine braking action.
4. Follow the manufacturer's recommendations for wheel weights or counterweights to improve stability. For recommendations, contact 1-800-659-5917.
5. Keep all movement on the slopes slow and gradual. Do not make sudden changes in speed or direction. Rapid engagement or braking could cause the front of the machine to lift and rapidly flip over backwards which could cause serious injury.
6. Avoid starting or stopping on a slope. If tires lose traction, disengage the blade(s) and proceed slowly straight down the slope.

DO NOT:

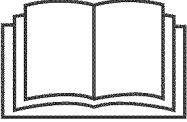

1. Do not turn on slopes unless necessary; then, turn slowly and gradually downhill, if possible.
2. Do not mow near drop-offs, ditches or embankments. The mower could suddenly turn over if a wheel is over the edge of a cliff, ditch, or if an edge caves in.
3. Do not try to stabilize the machine by putting your foot on the ground.
4. Do not use a grass catcher on steep slopes.
5. Do not mow on wet grass. Reduced traction could cause sliding.

GENERAL SERVICE

1. Before cleaning, repairing, or inspecting, make certain the blade(s) and all moving parts have stopped. Disconnect the spark plug wire and ground against the engine to prevent unintended starting.
2. Keep all nuts, bolts, and screws tight to be sure the equipment is in safe working condition.
3. Never tamper with your mower's safety interlock system or other safety devices. Check their proper operation regularly.
4. Never attempt to make adjustments or repairs while the mower's engine is running.
5. Grass catcher components and the discharge cover are subject to wear and damage which could expose moving parts or allow objects to be thrown. For safety protection, frequently check components and replace immediately with original equipment manufacturer's (O.E.M.) parts only, listed in this manual. Use of parts which do not meet the original equipment specifications may lead to improper performance and compromise safety!
6. Maintain or replace safety and instruction labels, as necessary.

SAFETY SYMBOLS

This section depicts and describes safety symbols that may appear on this product. Read, understand, and follow all instructions on the machine before attempting to assemble and operate.

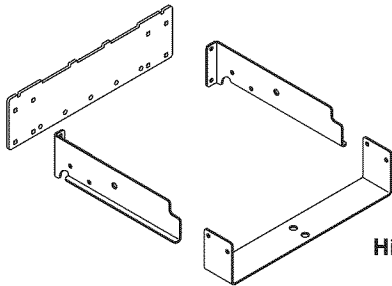
Symbol	Description
	READ THE OPERATOR'S MANUAL(S) Read, understand, and follow all instructions in the manual(s) before attempting to assemble and operate
	STOP Turn off the engine before opening the bagger cover.

CONTENTS OF CARTON

Before beginning installation, remove all parts from the carton to make sure everything is present. Carton contents are listed below and shown below. Two hardware packs are included in this kit and are detailed on the following page.

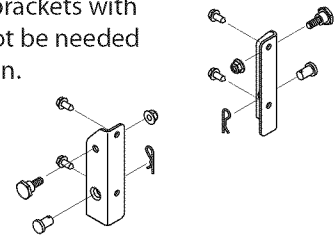
- Hitch Bracket Kit (4 Pcs. total)
- Mounting Kit
- Discharge Chute Elbow
- Grass Catcher Cover
- Chute Tube Extension
- Grass Catcher Cover Screen
- Two Grass Bag Assemblies
- Upper Chute Tube
- Upper Chute Support
- Self Adhesive Foam Strip
- Upright Support
- Hinge Cover Pin
- Bag Support Assembly
- Two Hardware Packs (Detailed & illustrated on the next page)

Hitch Bracket Kit

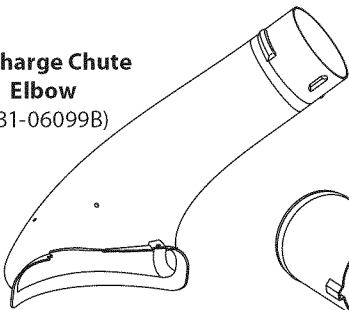


RH Mount (783-06156)
LH Mount (783-06231)
Rear Attachment Bracket (783-06168)
Hitch Support (783-06230)

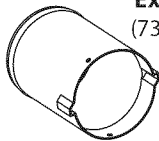
Two mounting brackets with hardware will not be needed in this installation. Please Discard.



Discharge Chute Elbow
 (731-06099B)



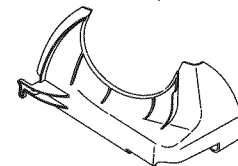
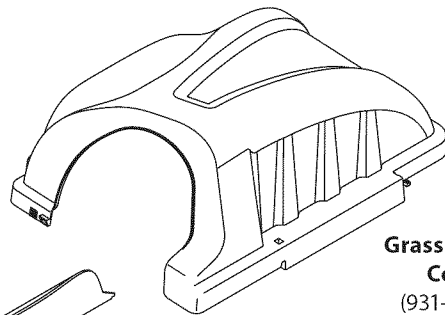
Chute Tube Extension
 (731-06610)



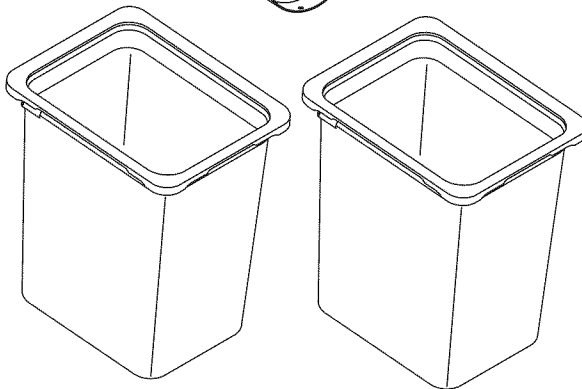
Grass Catcher Cover Screen
 (731-06504)



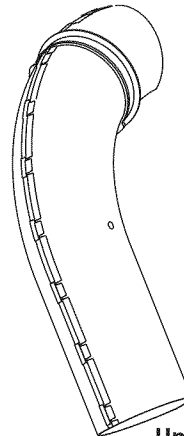
Grass Catcher Cover
 (931-04292)



Grass Bag Assemblies
 (964-04096A)



Upper Chute Support
 (731-06497)



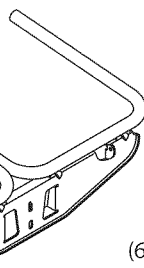
Self Adhesive Foam Strip
 (721-04388)



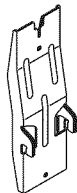
Hinge Cover Pin
 (711-04988)



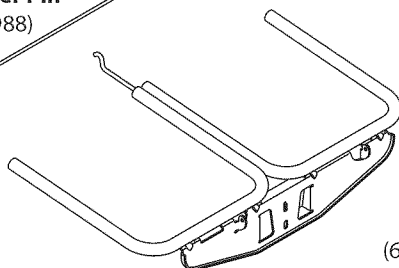
Upper Chute Tube
 (931-04291)



Upright Support
 (683-04519-0637)



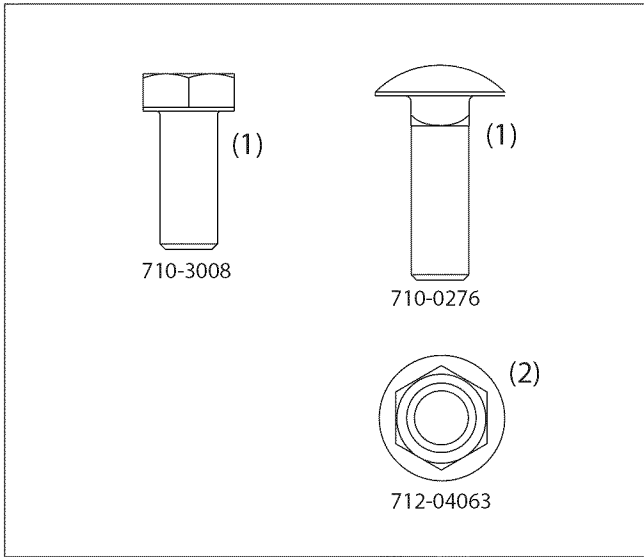
Bag Support Assembly
 (683-04461-0637)



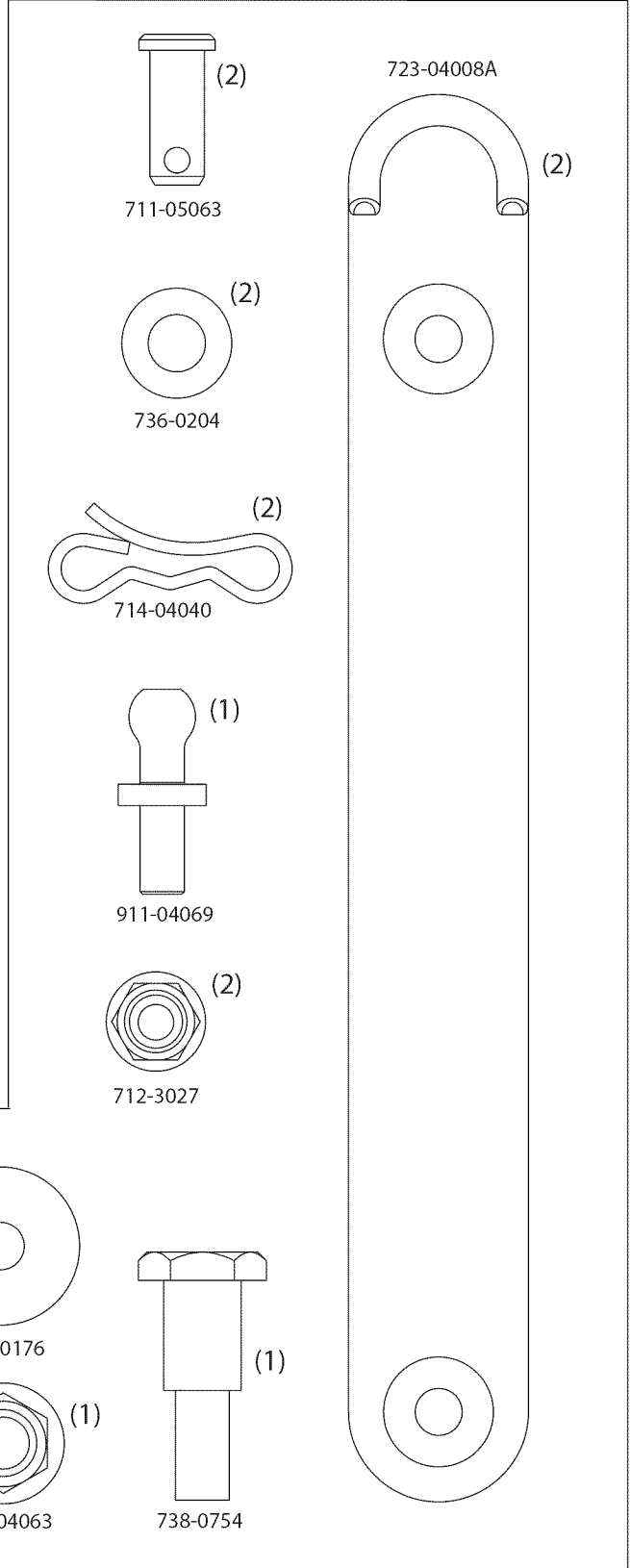
CONTENTS OF HARDWARE PACKS

This grass collector kit is shipped with these loose hardware packs enclosed. Please check your hardware packs against the illustrations below. The quantities for each item is listed in parenthesis while the part number is listed near each item.

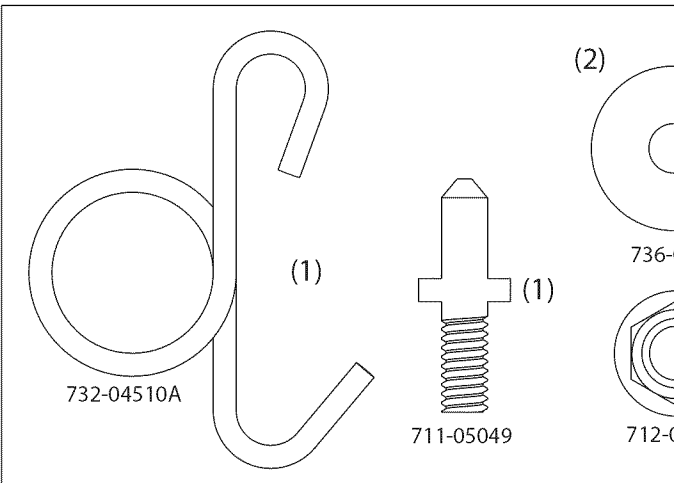
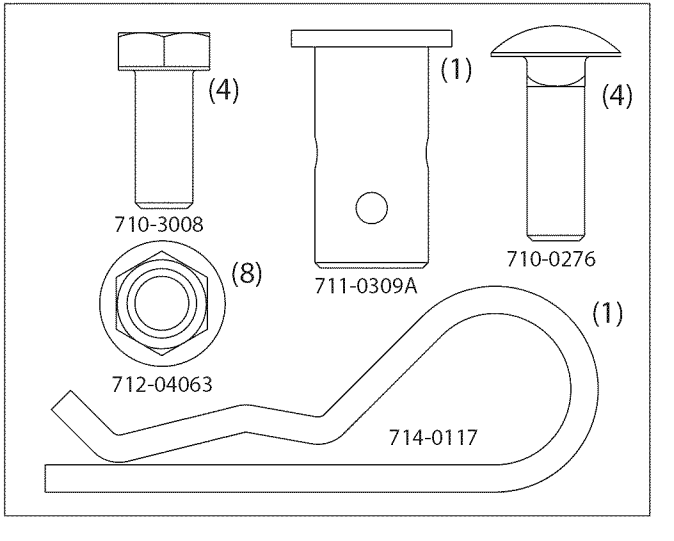
Hardware Pack for 689-00080A



Hardware Pack 689-00092B



Hardware Pack for 689-00097



ASSEMBLY AND INSTALLATION

Assemble Mounting Brackets

To assemble the bagger mounting assembly, locate the hitch bracket kit and follow these steps:

1. Attach the right-hand and left-hand rider hitch bracket to the universal rear attachment bracket using the four carriage bolts (710-0276) and flange lock nuts (712-04063) from hardware pack 689-00097. Position the brackets with the notches on the right-hand and left-hand rider hitch brackets and the tabs on the universal rear attachment bracket, pointing upwards. See Fig. 1.

NOTE: This universal mounting bracket assembly is designed to work with other available attachments, such as a weight kit used in conjunction with the snow blade or snow thrower attachment. Utilize the contact information on the back page, or contact the store in which you purchased this equipment, to find out more about available attachments for your specific tractor.

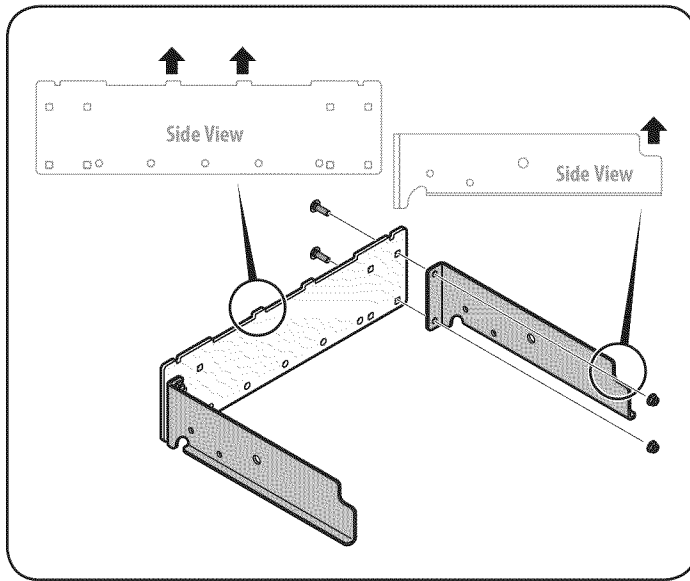


Figure 1

2.

3. Flip over assembly and mount the hitch support bracket to the mounting assembly using four 710-3008 hex bolts and 712-04063 flange lock nuts from hardware pack 689-00097. See Fig. 2 for proper orientation.

NOTE: When attaching the hitch support, it is best to not fully tighten the bracket at this time. This will facilitate the mounting process in later steps, which will then require fully tightening of this hitch support bracket.

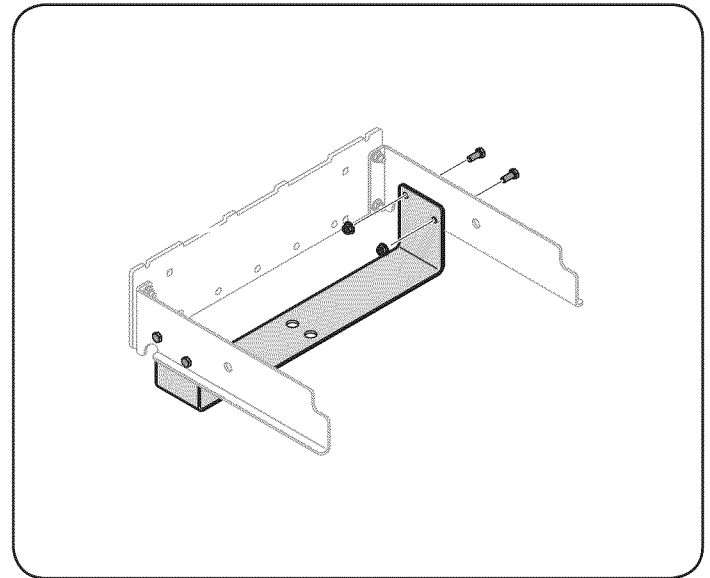


Figure 2

NOTE: Packed with the upright mounting bracket are two mounting brackets with hardware used on another model tractor and will not be needed in this installation. Simply discard the parts shown below in Fig. 3.

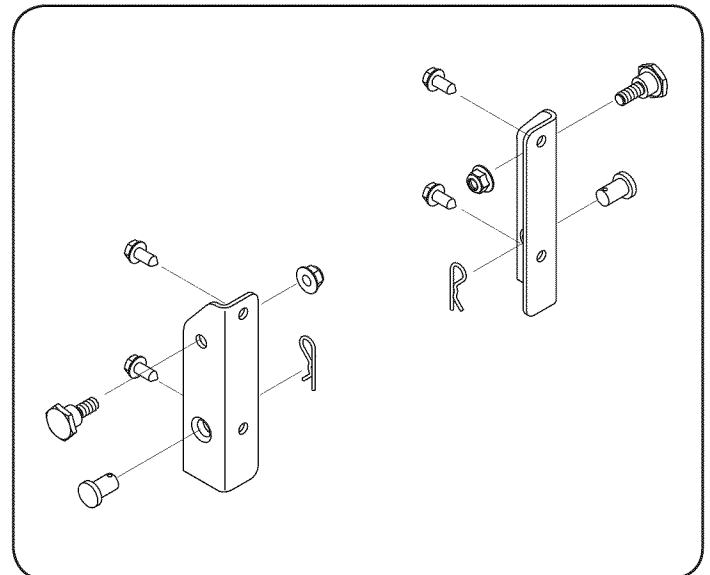


Figure 3

ASSEMBLY AND INSTALLATION

Assembling The Bin Support Assembly

Locate the upright support bracket and the bin support assembly. Assemble it by following these steps:

1. Lay the bin support assembly topside down with the mounting bracket portion facing upwards.
2. Insert the notched end of the vertical support bracket into the bin support assembly, as in Fig. 4, and secure with a carriage bolt (710-0276) and flange lock nut (712-04063) packed in with the upright support bracket. See Fig. 5.

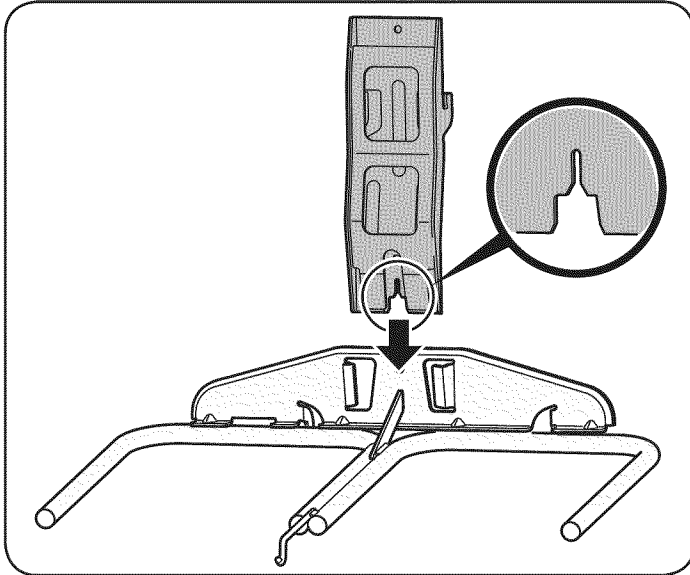


Figure 4

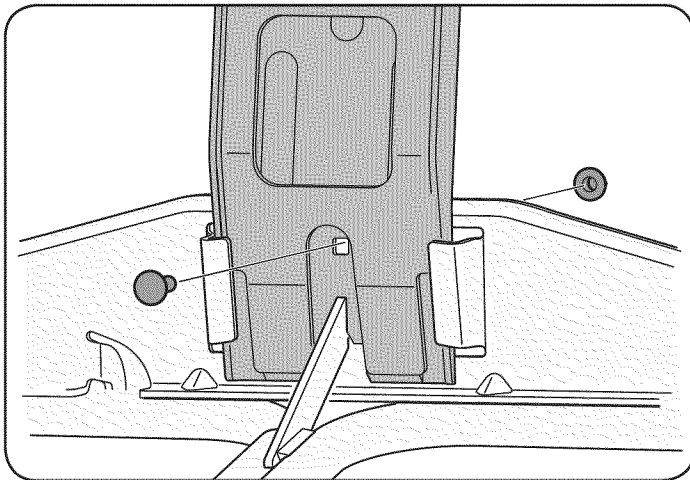


Figure 5

Mount Assembly on Tractor

Install the mounting assembly on the tractor as follows:

1. Slide the bagger mounting assembly along the top of the frame rails, as in Fig. 6, until the assembly hooks under the shoulder bolts on the tractor. At this point the hitch support hole on the mounting assembly and the hole on the tractor's hitch plate will line up.

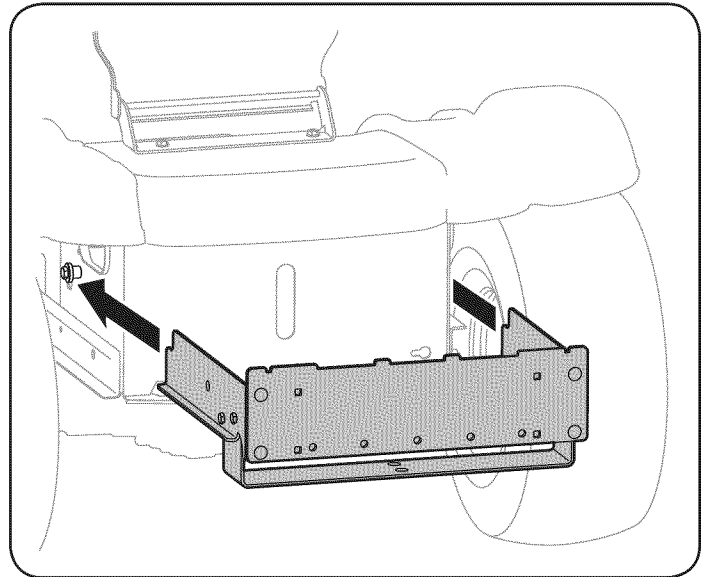


Figure 6

2. Install the clevis pin (711-0309A) from hardware pack 689-00097 into the tractor's hitch and the assembly's hitch support and secure with a hairpin clip (710117) in the top hole (closest to the head of the pin). See Fig. 7.

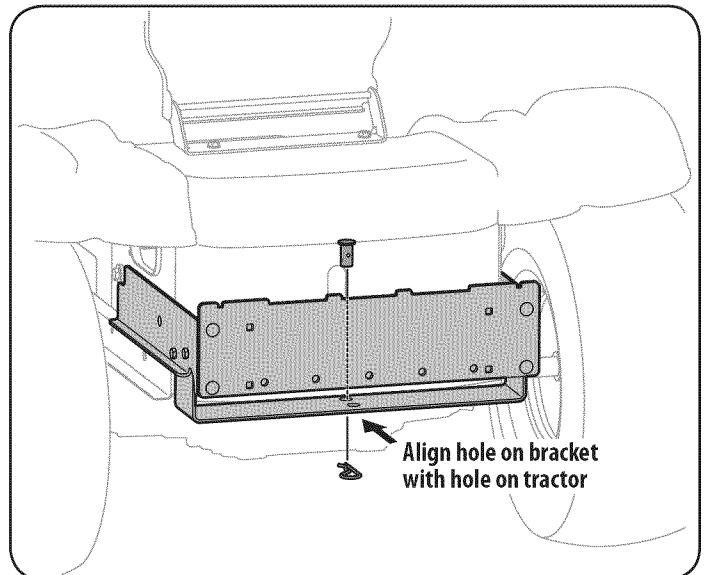


Figure 7

NOTE: The clevis pin can be fed down through the hitch support and secured underneath with the hairpin clip, as seen in Fig. 7, or it may be easier to feed the clevis pin up through the hitch plate hole and secure with the hairpin clip on the topside. The latter method may be preferred since it can be easier to insert the hairpin clip. Either way will work; the decision should be based on operator preference.

3. Tighten all of the hardware securing the hitch support at this time.

ASSEMBLY AND INSTALLATION

4. Install the bin support assembly onto the mounting assembly on the tractor by hooking it over the cross mounting bracket outside of the two tabs. See Fig. 8.

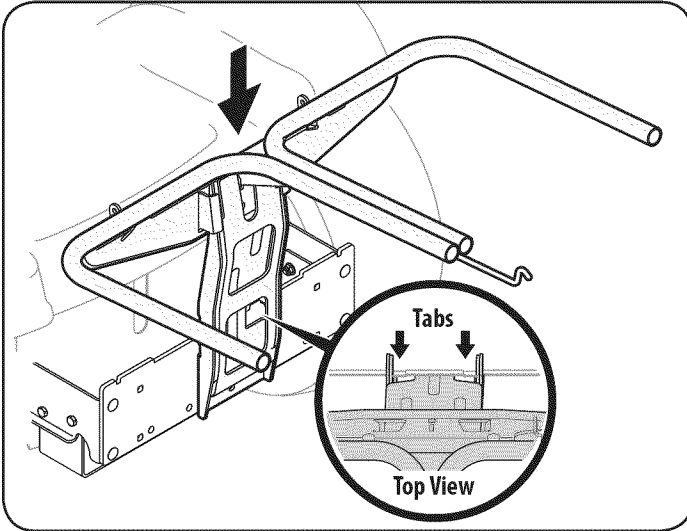


Figure 8

5. Secure the hanger assembly to the mounting assembly using a hex bolt (710-3008) and flange lock nut (712-04063) packed in with the upright support bracket. See Fig. 9.

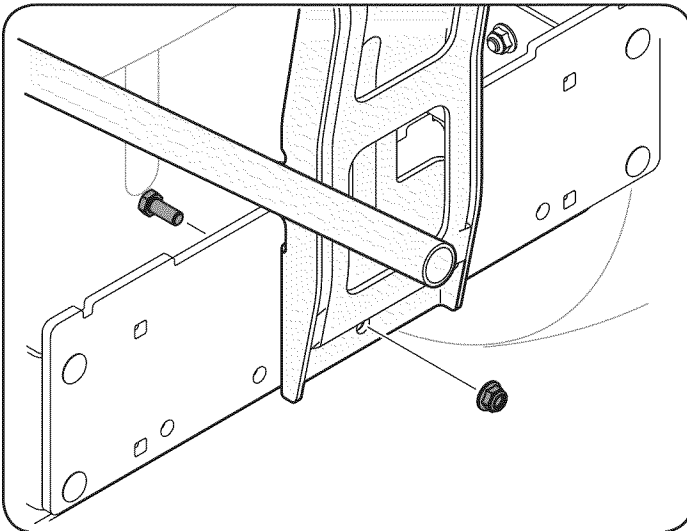


Figure 9

Assembling Remaining Bagger Components

Now that the mounting brackets are assembled and are in place on the tractor, follow these steps to assemble the remaining bagger components.

1. Snap the upper chute support in place by first clipping the side portion onto the bin support rail with the edge of the snap feature aligned with the red line (1), as shown in the inset of Fig. 10.
2. Snap the front portion of the upper chute support to the bin support rail as seen in 2 of Fig. 10.

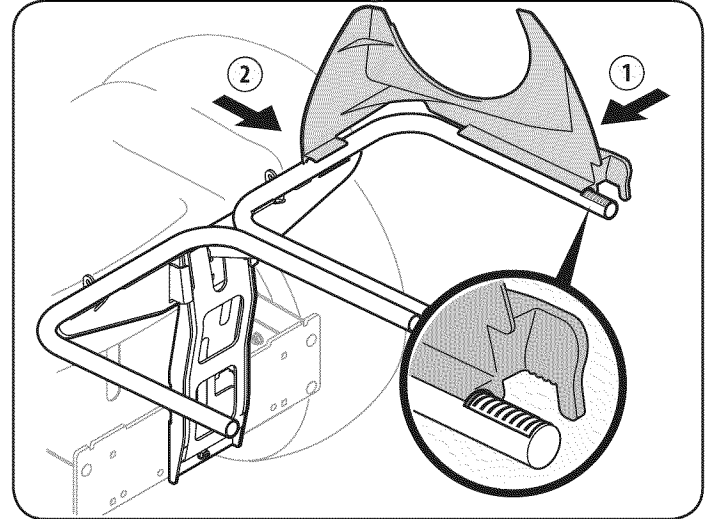


Figure 10

ASSEMBLY AND INSTALLATION

3. Install the grass catcher cover screen into the bagger cover by first inserting the end closest to the side with the cutout into the mounting hole, as in Fig. 11. Make sure to feed the screen under the lip, as in Fig. 12.

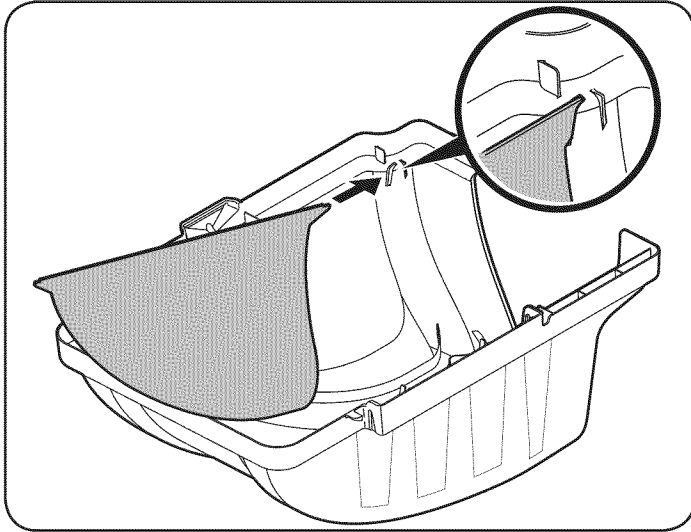


Figure 11

4. Clip in the other side by flexing the screen and pushing it down into the provided cutout hole. See Fig. 12.

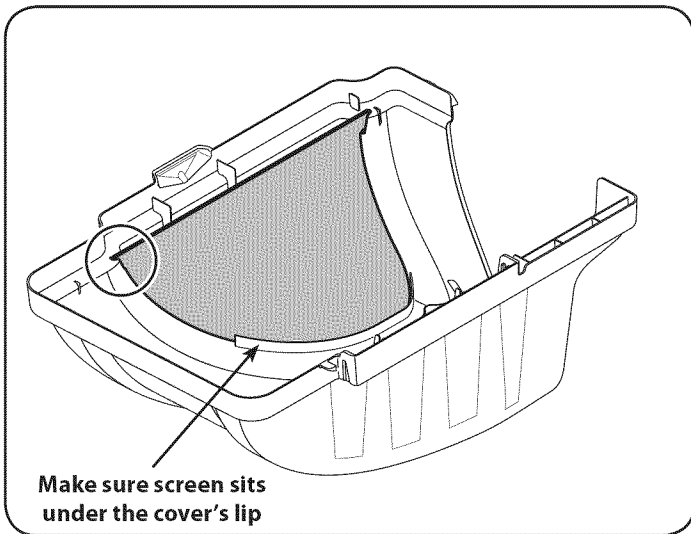


Figure 12

5. Install the grass catcher cover onto the bin support assembly, as seen in Fig. 13. The grass catcher cover goes inside of the two mounting tabs on the bin support assembly.
6. Slide the hinge pin into the hole located on the mounting tab, as in Fig. 14. Use the cut-out window (See inset in Fig. 14) to line up the hinge pin on the other side and push pin all the way in until it reaches the end-stop. At this point the pin clips into place and is secured by a tab in the bagger cover. See Fig. 15.

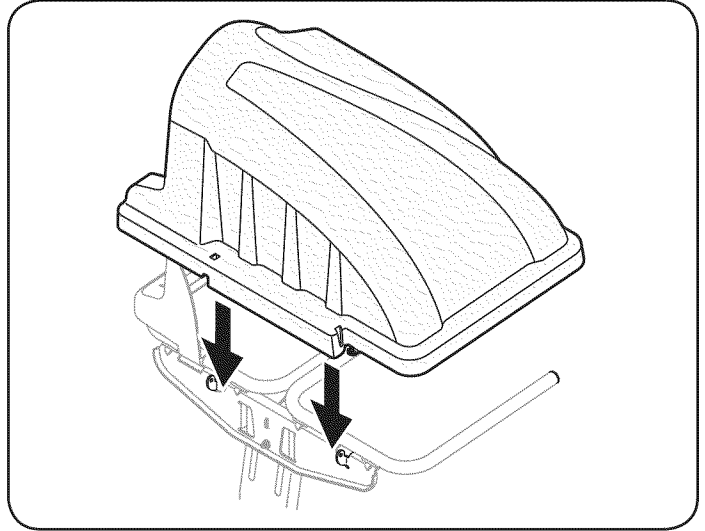


Figure 13

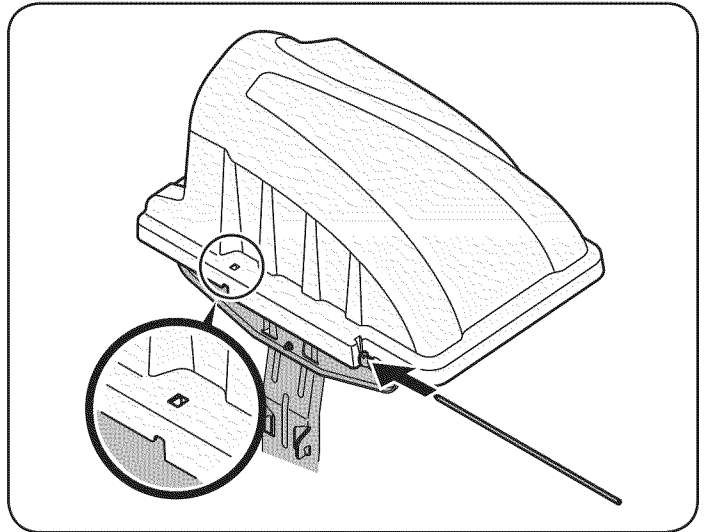


Figure 14

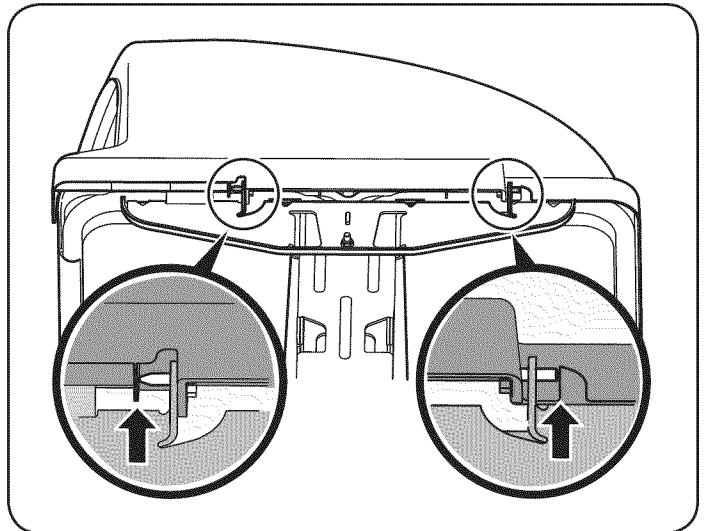


Figure 15

ASSEMBLY AND INSTALLATION

7. Open grass catcher cover by pushing in on the rear, right-side tab with your right-hand, as seen in 1 of Fig. 16, and lifting with your left-hand in the rear center, 2.

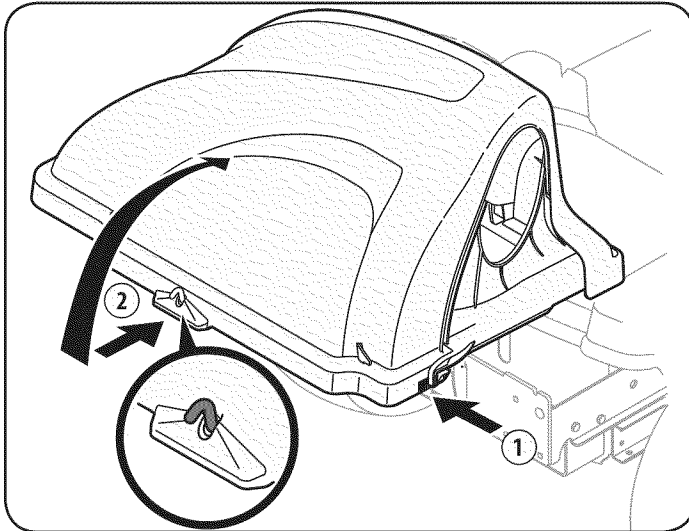


Figure 16

8. Install both grass bins onto the bin support assembly by inserting the front edge in first (1), as seen in Fig. 17, and setting the back edge down (2) until it fits into the assembly.

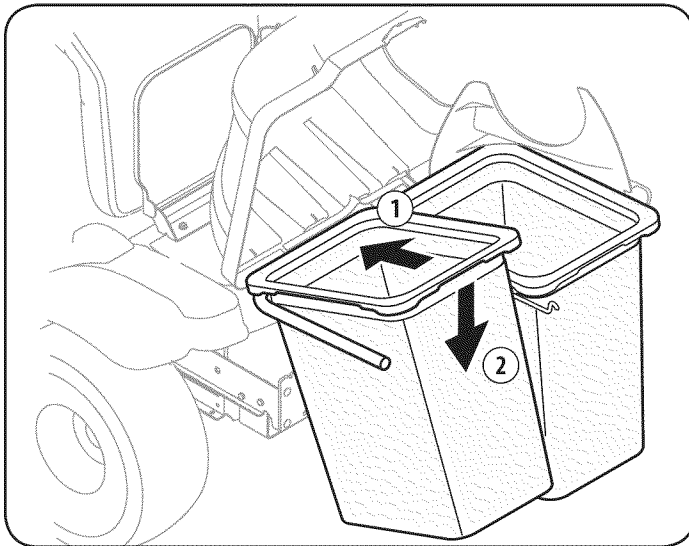


Figure 17

9. Install one of the rubber chute straps (723-04008A) onto the discharge chute elbow using one of the supplied clevis pins (711-05063), washer (736-0204) and Bow-tie cotter pins (7104040) from hardware pack 689-00092B. See Fig. 18. Secure the end of the strap utilizing the hole furthest from the end, and insert the torsion spring hook (732-04510A) from the same hardware pack into the other end of the rubber strap.

10. Install the deck mounting pin (711-05049) up into the chute elbow using the flat washer (736-0176) from hardware pack 689-00092B and secure with a flange lock nut (712-3027), as seen in Fig. 18.

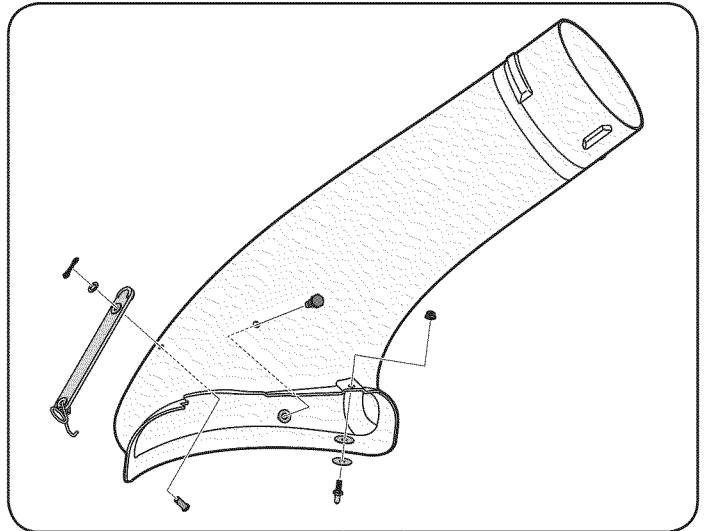


Figure 18

11. Install the shoulder bolt (738-0754) into the chute elbow from the top side and secure inside the chute elbow using a flange lock nut (712-04063) from the same hardware pack (689-00092B). See Fig. 18.
12. Install the grass-catcher pin (711-04069) from hardware pack 689-00092B into the hole provided in the upper portion of the chute elbow and secure with a flange lock nut (712-3027). See Fig. 19.

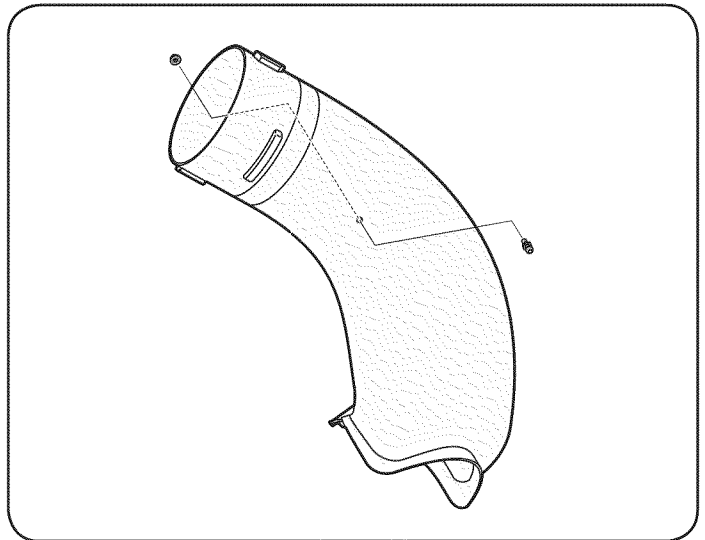


Figure 19

ASSEMBLY AND INSTALLATION

13. Install rubber strap (723-04008A) onto the chute tube extension using clevis pin (711-05063), flat washer (736-0204) and bow-tie cotter pin (7104040) from hardware pack 689-00092B. Attach the end with the hole closest to the end of the strap, as seen in Fig. 20. This will make it easier to grab onto the strap to pull, stretch and hook onto the grass-catcher pin previously installed on the chute elbow in the previous step.

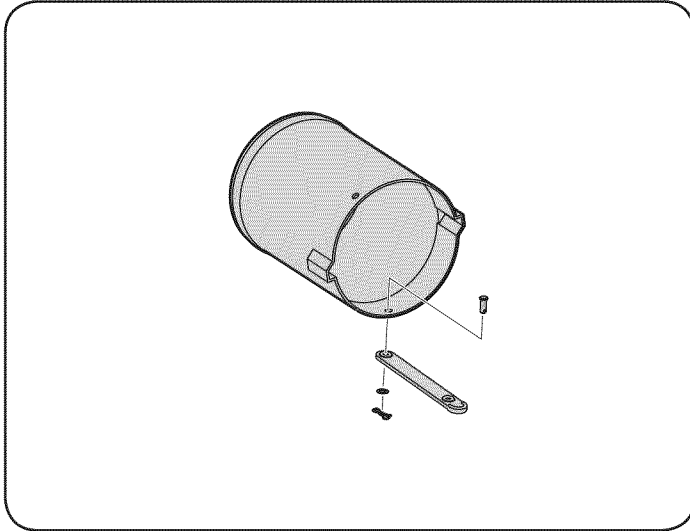


Figure 20

14. With the tractor's discharge chute raised up and held open, install the chute elbow over the chute opening by placing the deck mounting pin in the hole provided, as seen in Fig. 21, then secure the elbow to the deck by hooking the retainer strap torsion spring hook over the deck wheel mounting bracket as seen in Fig. 22.

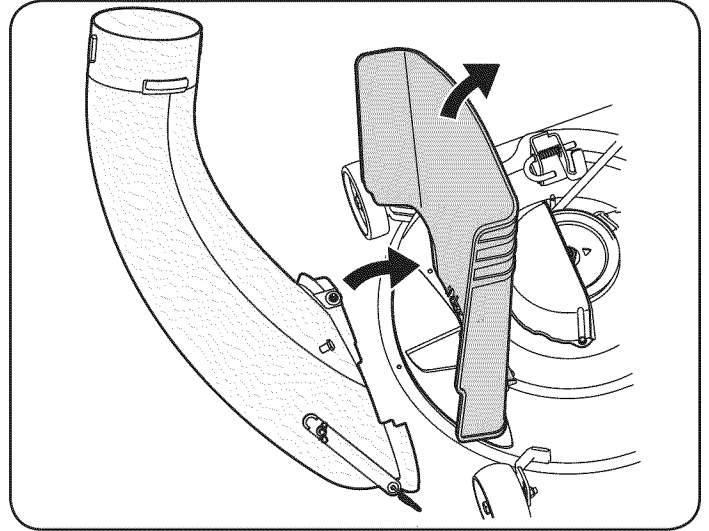


Figure 21

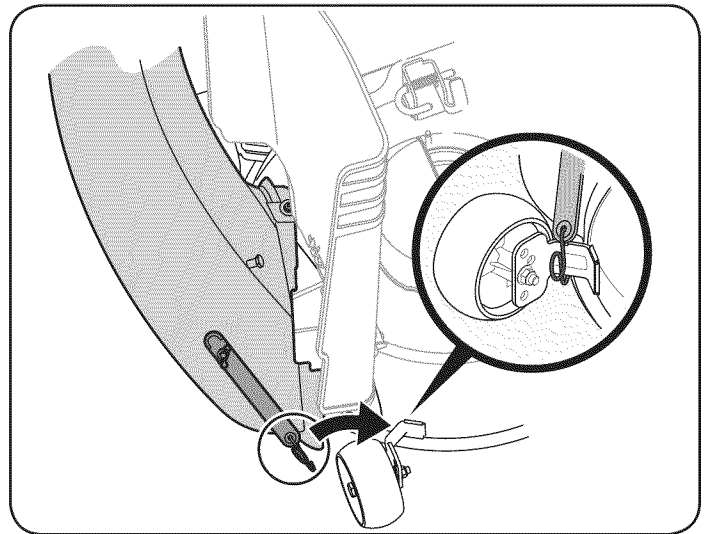


Figure 22

ASSEMBLY AND INSTALLATION

15. Install the chute tube extension onto the chute elbow by lining up the tabs and sliding the adapter over the chute elbow, as in Fig. 23. Secure the chute adapter by stretching the chute strap and hooking it onto the grass-catcher pin previously installed.

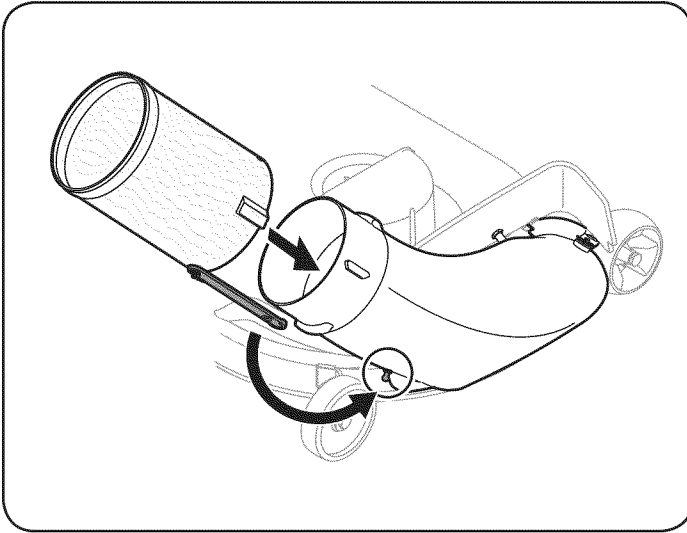


Figure 23

16. Peel the backing off of the self-adhesive foam strip (721-04388) that has been included with your grass collector. Apply it to the upper chute, flush against the flange as shown in Fig. 24

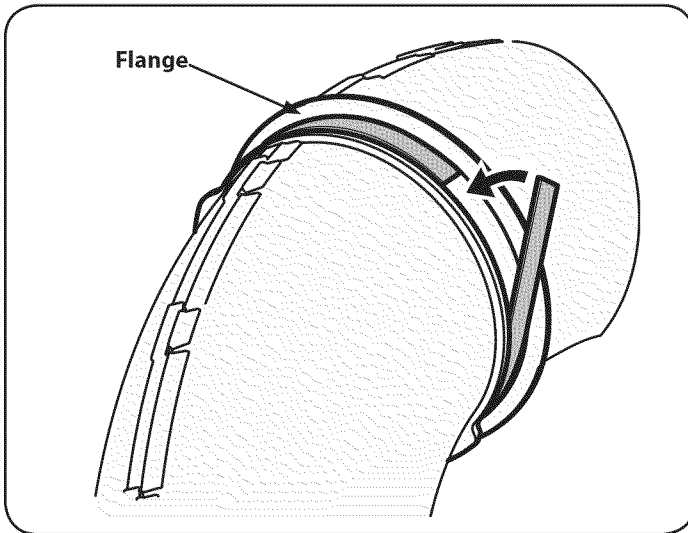


Figure 24

17. With the grass catcher cover open, install the discharge chute over the chute extension tube, as seen in Fig. 25, and rest the top end into the upper chute support installed on the right-hand side of the bin support assembly. See Fig. 26.

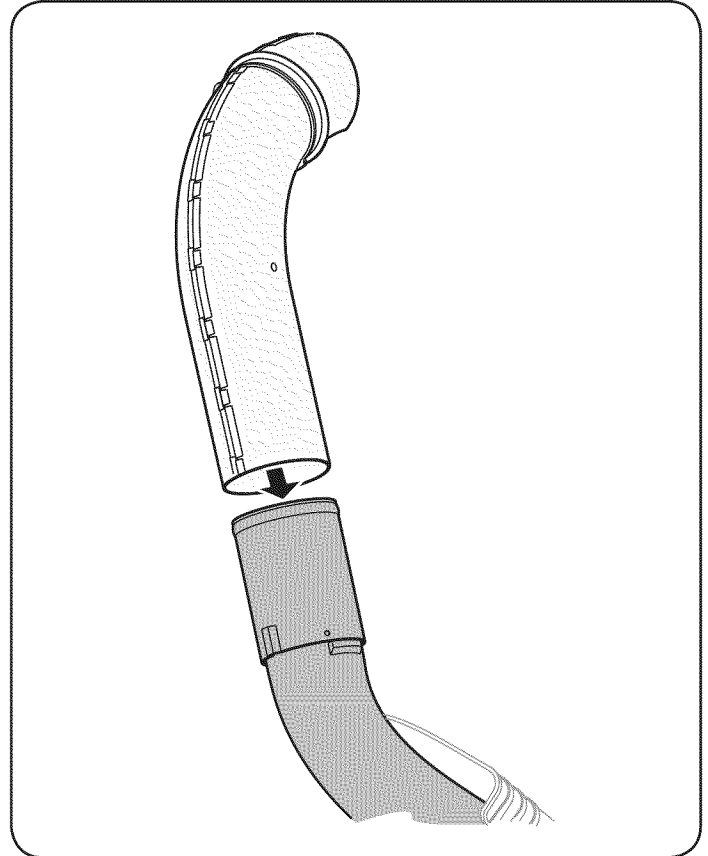


Figure 25

NOTE: The groove on the upper chute should be aligned with the upper chute support, as seen in the inset of Fig. 26.

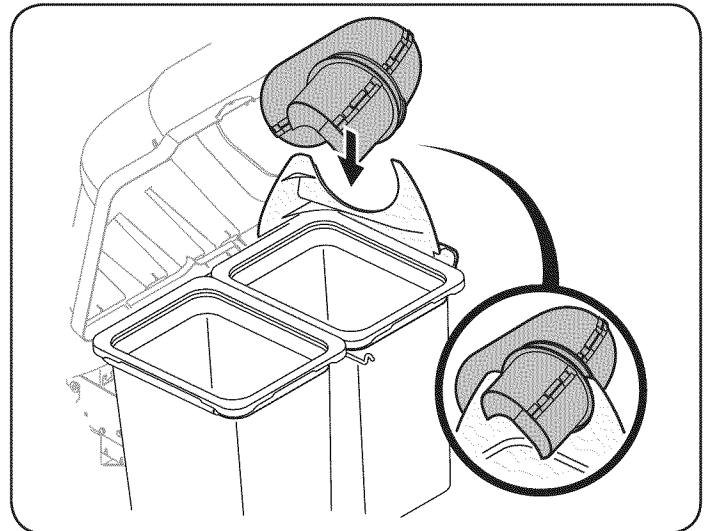


Figure 26

Operation

Bagger Operation

NOTE: When both grass bins are full, place the tractor on a firm, level surface, disengage the PTO (Blade Engage), turn the tractor engine off and set the parking brake.

1. Flip the seat up.
2. Open grass catcher cover by pushing in on the rear, right-side tab with your right-hand, as seen in 1 of Fig. 27, and lifting with your left-hand in the rear center, 2.

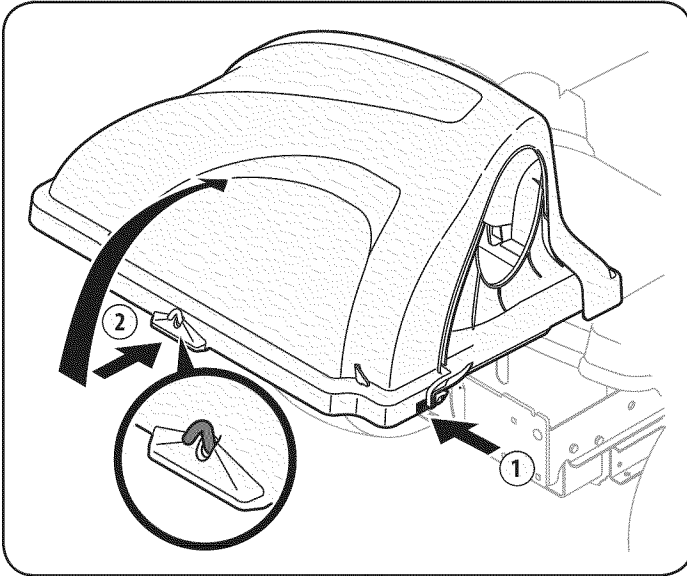


Figure 27

3. Remove the grass bins by lifting them up (1 in Fig. 28) and away from the bin support assembly (2).

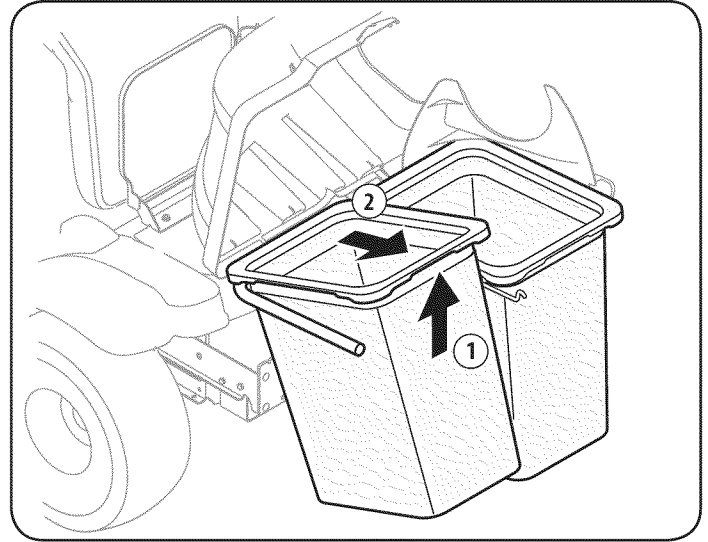
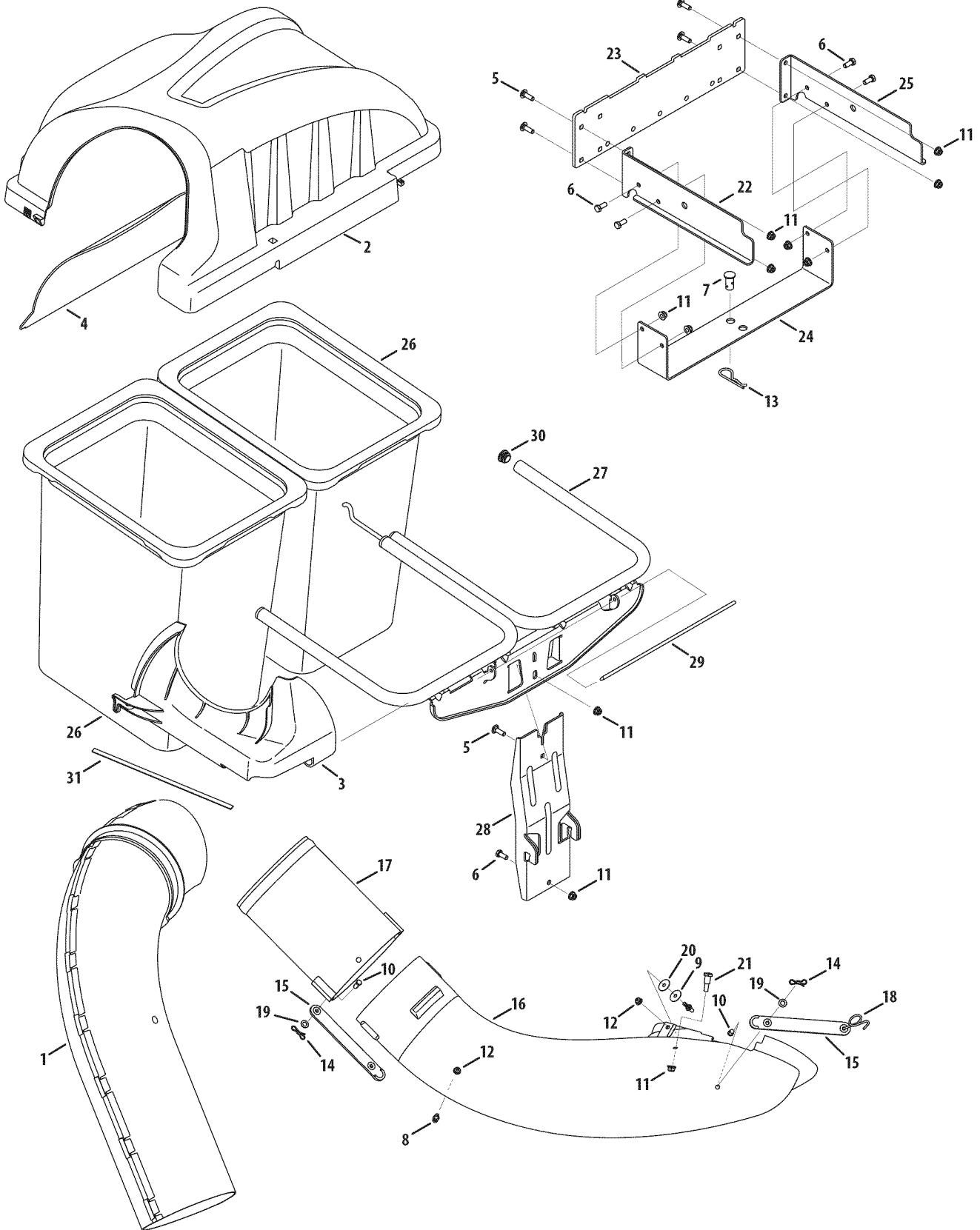


Figure 28

4. Empty the grass clippings at a proper disposal site. Grasp the handle at the bottom of the bin with one hand, and with the other hand steady the bin, and empty the contents.
5. Replace grass bins, close lid, flip down seat, restart your tractor and resume cutting your grass.

PARTS LIST

24919 42 in. Two Bin Rear Bagger Parts List



PARTS LIST

24919 42 in. Two Bin Rear Bagger Parts List

Ref.	Part Number	Description
1.	931-04291	Upper Chute Assembly
2.	931-04292	Double Bagger Cover Assembly
3.	731-06497	Upper Chute Support
4.	731-06504	Bagger Cover Screen
5.	710-0276	Carriage Screw, 5/16-18 x 1.00"
6.	710-3008	Hex Head Screw, 5/16-18 x .75"
7.	711-0309A	Clevis Pin, .62" Dia.
8.	911-04069	Grass-catcher Pin, 1/4-20
9.	711-05049	Attachment Pin, 1/4 x 0.66 Lg.
10.	711-05063	Clevis Pin, 5/16 x .75 Lg.
11.	712-04063	Flange Lock Nut, 5/16-18
12.	712-3027	Flange Lock Nut, 1/4-20
13.	714-0117	Internal Cotter Pin, .148 x 3.00
14.	714-04040	Bow-Tie Cotter Pin, 72
15.	723-04008A	Chute Strap, 6.00 Lg.
16.	731-06099B	Bagger Discharge Chute, Elbow
17.	731-06610	Bagger Chute Adapter, 7 In.
18.	732-04510A	Torsion Spring Hook
19.	736-0204	Flat Washer, .344 x .62 x .033
20.	736-0176	Flat Washer, .265 x .938 x .120
21.	738-0754	Shoulder Screw, .437 x .54
22.	783-06156-0637	Mounting Bracket, RH
23.	783-06168-0637	Universal Mounting Bracket
24.	783-06230-0637	Universal Bracket Support, I-Series
25.	783-06231-0637	Mounting Bracket, LH
26.	964-04096A	Grass Bin (2 total)
27.	683-04461	Double Bag Support Assembly
28.	683-04519	Vertical Support Bracket
29.	711-04988	Cover Hinge Pin
30.	735-0246A	End Plug
31.	721-04388	Self-Adhesive Foam Strip

TABLE OF CONTENTS

Sinstrucciones De Seguridad	19-21
Contenido de la Caja.....	22-23
Montaje e Instalación	24-30
operación	31
Lista de piezas	16-17
Números de servicio	Volver Portada

Craftsman Total Garantía

Craftsman Si este producto falla debido a un defecto de material o mano de obra dentro de un año a partir de la fecha de compra, el retorno a cualquier tienda Sears o cualquier otra Craftsman de salida en los Estados Unidos para la sustitución gratuita.

Esta garantía cubre únicamente defectos de material y mano de obra. Sears no pagará por:

- Sustitución de las bolsas, que son fungibles que pueden llevar a cabo a partir de la utilización normal en el período de garantía.
- Las reparaciones necesarias a causa de accidente o el fracaso para operar o mantener el producto de acuerdo con todas las instrucciones suministradas.

Esta garantía se aplica a sólo 90 días si este producto es utilizado cada vez con fines comerciales o alquiler.

Esta garantía sólo se aplica mientras este producto se utiliza en los Estados Unidos.

Esta garantía le otorga derechos legales específicos, y usted también puede tener otros derechos que varían de un estado a otro.

Sears, Roebuck and Co., Hoffman Estates, IL 60179

INSTRUCCIONES DE SEGURIDAD

⚠ ADVERTENCIA

La presencia de este símbolo indica que se trata de instrucciones importantes de seguridad que se deben respetar para evitar poner en peligro su seguridad personal y/o material y la de otras personas. Lea y siga todas las instrucciones de este manual antes de poner en funcionamiento esta máquina. Si no respeta estas instrucciones podría provocar lesiones personales. Cuando vea este símbolo, ¡preste atención a la advertencia!

⚠ ADVERTENCIA

PROPOSICIÓN 65 DE CALIFORNIA

El escape del motor de este producto, algunos de sus componentes y algunos componentes del vehículo contienen o liberan sustancias químicas que el estado de California considera que pueden producir cáncer, defectos de nacimiento u otros problemas reproductivos. Los bornes de la batería y los accesorios afines contienen plomo y compuestos de plomo, sustancias químicas que según lo establecido por el Estado de California causan cáncer y daños en el sistema reproductivo. *Lávese las manos después de estar en contacto con estos componentes.*

⚠ PELIGRO

Esta máquina fue construida para ser operada de acuerdo con las reglas de seguridad contenidas en este manual. Al igual que con cualquier tipo de equipo motorizado, un descuido o error por parte del operador puede producir lesiones graves. Esta máquina es capaz de amputar manos y pies y de arrojar objetos con gran fuerza. De no respetar las instrucciones de seguridad siguientes se pueden producir lesiones graves o la muerte.

⚠ ADVERTENCIA

Su responsabilidad—Restrinja el uso de esta máquina motorizada a las personas que lean, comprendan y respeten las advertencias e instrucciones que aparecen en este manual y en la máquina.

¡GUARDE ESTAS INSTRUCCIONES!

Funcionamiento general

1. Lea, comprenda y respete todas las instrucciones que figuran en el equipo y en los manuales antes de intentar armarlo y hacerlo funcionar. Guarde este manual en un lugar seguro para consultas futuras y periódicas, así como para solicitar repuestos.
2. Para ayudar a evitar una lesión por contacto con las cuchillas o con un objeto que sea arrojado, mantenga a las personas que observan, a los ayudantes, niños y mascotas alejados a no menos de 25 metros de la máquina mientras está funcionando. Detenga la máquina si alguien entra en la zona.
3. Revise minuciosamente el área donde se va a usar el equipo. Retire todas las piedras, palos, cables, huesos, juguetes y otros objetos extraños que podrían ser recogidos y arrojados por la acción de las cuchillas. Los objetos arrojados por la máquina pueden causar lesiones graves.
4. Para protegerse los ojos, utilice siempre gafas o lentes de seguridad mientras opera la máquina o mientras la ajusta o repara. Los objetos arrojados que rebotan pueden causar lesiones oculares graves.
5. Nunca opere la cortadora de césped sin tener bien colocada la cubierta de descarga o el colector de césped. Si falta o está dañada la cubierta de descarga o un componente del accesorio embolsador puede resultar en lesiones por contacto con la cuchilla o con objetos arrojados.
6. No ponga las manos ni los pies cerca de las piezas rotatorias ni debajo de la plataforma de corte. El contacto con las cuchillas puede resultar en la amputación de una mano o pie.
7. Apague el motor de la cortadora de césped y espere que las cuchillas se detengan totalmente antes de desbloquear la abertura de descarga de la cortadora o las piezas de la embolsadora.

8. Reduzca la velocidad antes de girar. Opere la máquina de forma pareja. Evite el funcionamiento errático y la velocidad excesiva. Tenga en cuenta que el accesorio colector de césped puede afectar las características de manejo de su cortadora.

Funcionamiento en pendientes

Las pendientes son un factor importante en los accidentes ocasionados por pérdida de control y vuelcos que pueden causar lesiones graves e incluso la muerte. Los accesorios también pueden afectar la estabilidad de la máquina. La operación en pendiente requiere mayor precaución.

Para seguridad, use el medidor de pendientes que se incluye como parte de este manual para estimar el ángulo de la pendiente antes de hacer funcionar la máquina en una zona inclinada. Si la pendiente es mayor a 10 grados en el medidor, no opere la cortadora con el accesorio embolsador en ese sector, pues podría causar lesiones graves.

Haga lo siguiente:

1. Corte hacia arriba y abajo de las pendientes, no en forma transversal. Tenga sumo cuidado al cambiar de dirección en una pendiente.
2. Esté atento a los hoyos, surcos, baches, rocas, u otros objetos ocultos. El terreno desnivelado puede voltear la máquina. El pasto alto puede ocultar obstáculos.
3. Conduzca a baja velocidad. Elija una velocidad lo suficientemente baja como para no tener que detenerse o cambiar de marcha mientras está en la pendiente. Los neumáticos pueden perder tracción en las pendientes aún cuando los frenos funcionen correctamente. Mantenga la máquina siempre en velocidad cuando desciende una pendiente, para poder frenar con el motor.

INSTRUCCIONES DE SEGURIDAD

4. Siga las recomendaciones del fabricante sobre pesos y contrapesos de las ruedas, para mejorar la estabilidad.
5. Haga que todos los movimientos en las pendientes sean lentos y graduales. No cambie repentinamente la velocidad ni la dirección. Un frenado o cambio de velocidad repentinos pueden causar que el frente de la máquina se levante y dé una voltereta hacia atrás, lo que podría causar lesiones graves.
6. Evite arrancar o detenerse en una pendiente. Si los neumáticos pierden tracción, desenganche las cuchillas y descienda lentamente la pendiente.

No haga lo siguiente:

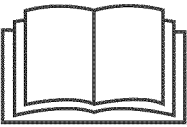

1. No gire en una pendiente a menos que sea imprescindible. De ser posible, gire lenta y gradualmente cuesta abajo.
2. No corte el césped cerca de barrancos, zanjas o terraplenes. La cortadora de césped podría volcarse repentinamente si una de las ruedas estuviera sobre el borde de un acantilado o zanja, o si un borde se desmoronara.
3. No intente estabilizar la máquina poniendo el pie en el suelo.
4. No utilice un colector de césped en pendientes empinadas.
5. No corte el césped húmedo. Una reducción en tracción puede causar derrapes.

Servicio general

1. Antes de limpiar, reparar o inspeccionar la máquina, compruebe que las cuchillas y todas las piezas móviles se hayan detenido. Desconecte el cable de la bujía y póngalo haciendo masa contra el motor para evitar que arranque accidentalmente.
2. Mantenga todas las tuercas, pernos y tornillos bien ajustados para asegurarse de que el equipo está en condiciones seguras de operación.
3. Nunca intente violar el sistema de bloqueo de seguridad u otros mecanismos de seguridad de la cortadora. Controle periódicamente que funcionan correctamente.
4. No intente nunca hacer ajustes o reparaciones a la cortadora mientras el motor está en marcha.
5. Los componentes del colector de césped y la cubierta de descarga están sujetos a desgaste y daños que podrían dejar expuestas piezas que se mueven o permitir que se arrojen objetos. Para proteger su seguridad, verifique frecuentemente todos los componentes y reemplácelos inmediatamente únicamente con piezas de los fabricantes del equipo original (O.E.M.) indicados en este manual. El uso de piezas que no cumplen con las especificaciones del equipo original puede resultar en rendimiento inadecuado y puede poner en peligro la seguridad.
6. Mantenga o reemplace las etiquetas de seguridad y de instrucciones según sea necesario.

Símbolos de seguridad

En esta página se presentan y describen los símbolos de seguridad que pueden aparecer en este producto. Lea, entienda y cumpla todas las instrucciones incluidas en la máquina antes de intentar armarla y utilizarla.

Símbolo	Descripción
	LEA LOS MANUALES DEL OPERADOR Lea, entienda y cumpla todas las instrucciones incluidas en los manuales antes de intentar armar la unidad y utilizarla.
	DETENCIÓN Apague el motor antes de abrir la cubierta de la embolsadora.

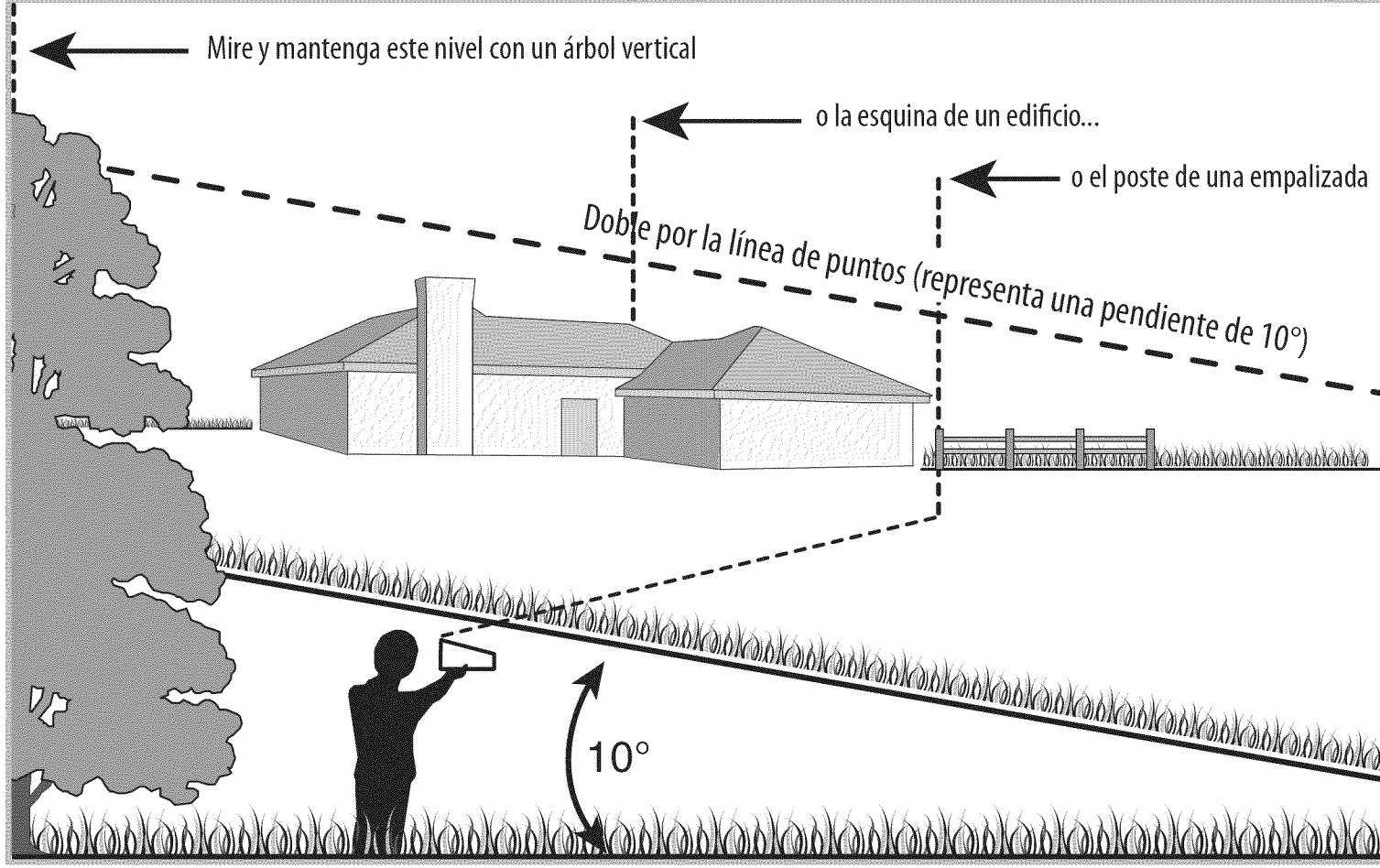


¡ADVERTENCIA! Su responsabilidad—Limite el uso de esta máquina motorizada a las personas que lean, comprendan y cumplan las advertencias e instrucciones que aparecen en este manual y en la máquina.

¡GUARDE ESTAS INSTRUCCIONES!

PENDIENTE DE GUÍAS

Utilice esta página como una guía para determinar zonas de ladera donde no puede operar de forma segura. No opere la cortadora de césped en pendientes tales.



⚠ ADVERTENCIA

No utilice su cortadora de césped con un archivo adjunto embolsadora en pendientes con una inclinación superior a 10 grados (un aumento de aproximadamente 1-3/4 pies cada 10 pies). Un tractor cortacésped con un archivo adjunto embolsadora puede revertir y causar lesiones graves. Operar cortadoras subiendo y bajando pendientes, nunca en la cara de pistas.

⚠ ADVERTENCIA

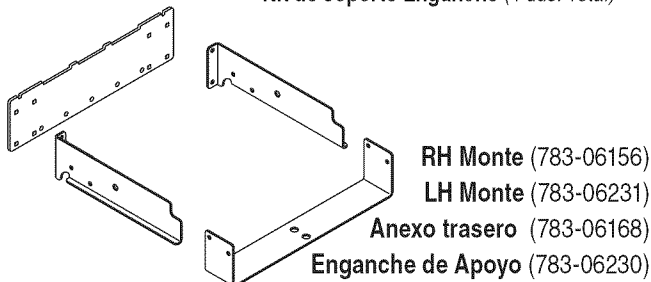
Este símbolo señala a cabo las instrucciones de seguridad importantes que, si no se siguen, podría poner en peligro la seguridad personal y / o la propiedad de sí mismo y los demás. Lea y siga las instrucciones en este manual antes de intentar operar esta máquina. El incumplimiento de estas instrucciones puede resultar en lesiones personales. Cuando vea este símbolo, preste atención a sus ¡ADVERTENCIA!

CONTENIDO DE LA CAJA

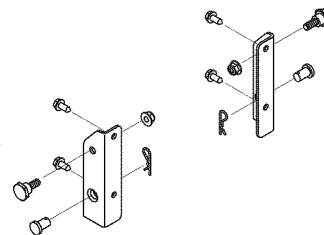
Antes de comenzar la instalación, quite todas las partes de la caja para asegurarse de que todo está presente. Cartón contenido se enumeran a continuación. Dos paquetes de hardware se incluyen en este paquete y se detallan en la página siguiente.

- Kit de soporte Enganche (4 uds. Total)
- Kit de montaje
- Tolva de descarga codo
- Catcher cubrir de césped
- Tobogán tubo de extensión
- Césped Catcher pantalla
- Dos asambleas la bolsa
- Tolva superior del tubo
- Tolva superior de apoyo
- Autoadhesivos Franja de espuma
- Soporte de apoyo en posición vertical
- Bisagra cubrir pin
- Bolsa de Apoyo a la Asamblea
- Dos paquetes de hardware (Detallada y se ilustra en la página siguiente)

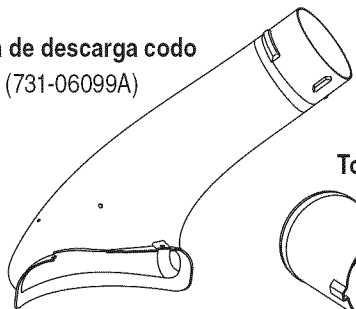
Kit de soporte Enganche (4 uds. Total)



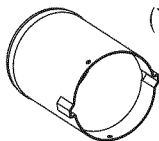
Dos soportes de montaje on el hardware no será necesaria en esta instalación. Por favor, Descartar.



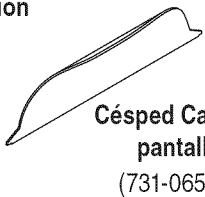
Tolva de descarga codo
(731-06099A)



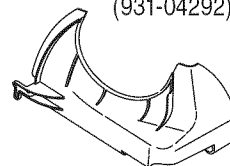
Tobogán tubo de extensión
(731-06610)



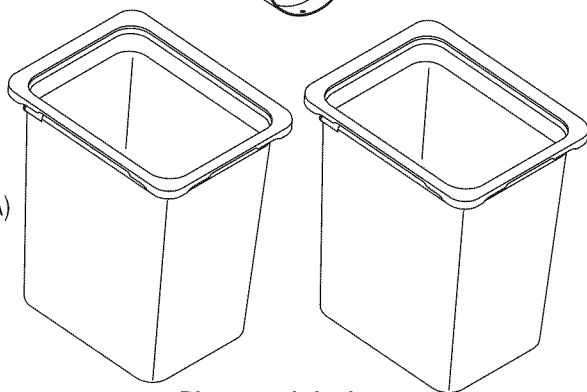
Césped Catcher pantalla
(731-06504)



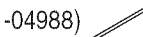
Catcher cubrir de césped
(931-04292)



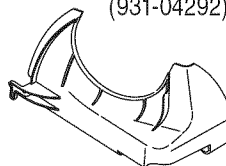
Asambleas de la bolsa
(964-04096A)



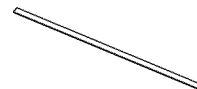
Bisagra cubrir pin
(711-04988)



Tolva superior de apoyo
(731-06497)



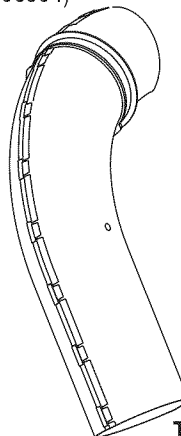
Autoadhesivos Franja de espuma
(721-04388)



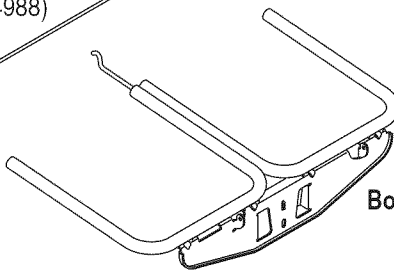
Soporte de apoyo en posición vertical
(Soporte 683-04519)



Tolva superior del tubo
(931-04291)



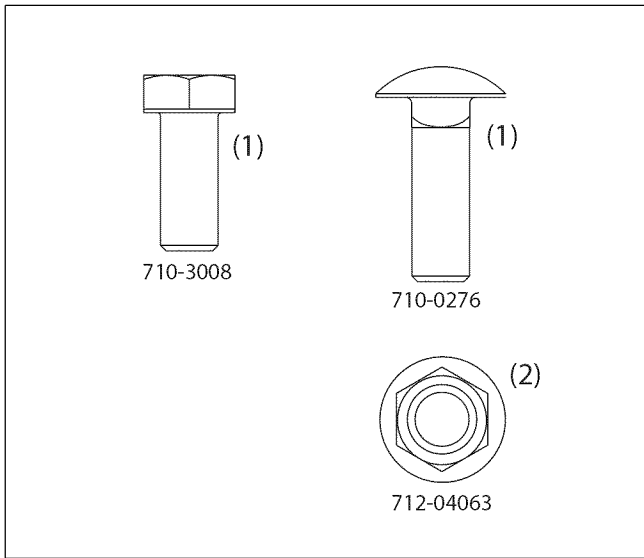
Bolsa de Apoyo a la Asamblea
(683-04461)



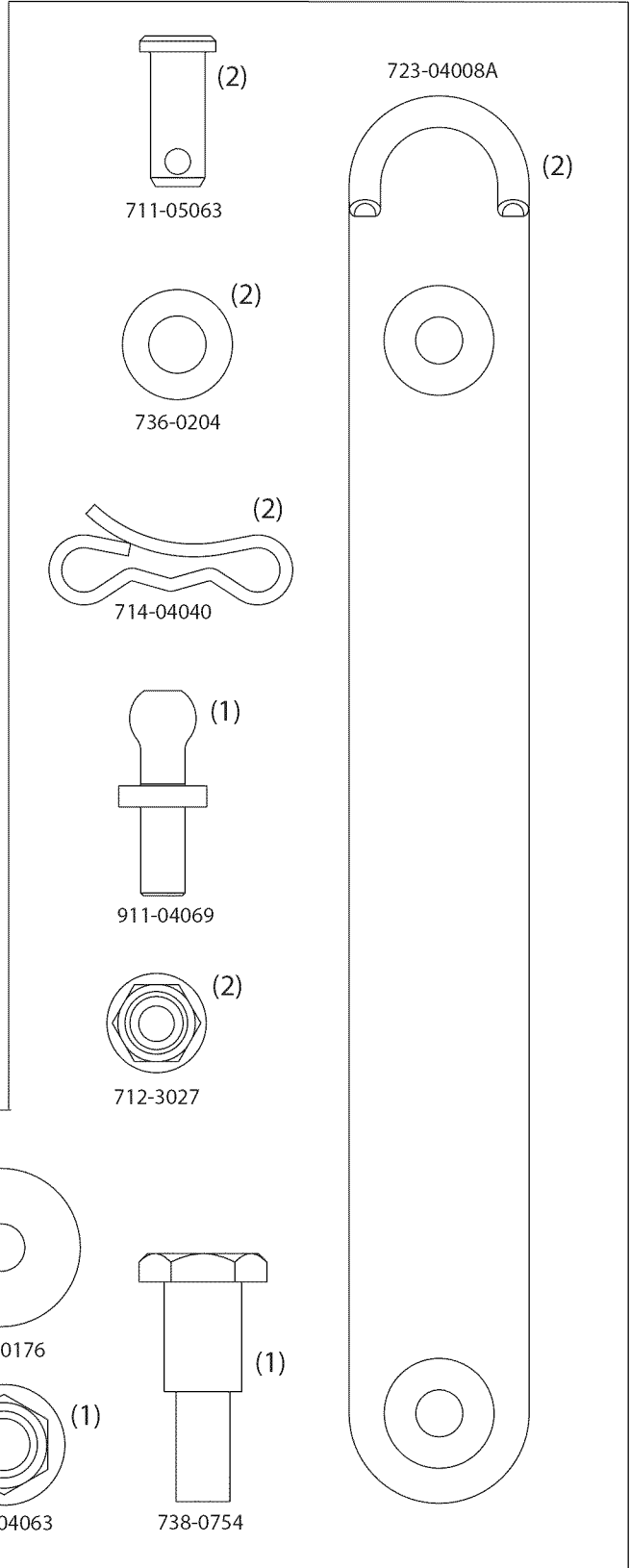
CONTENIDO DE LOS PAQUETES DE HARDWARE

Este kit colector de hierba se entrega con dos paquetes sueltos de hardware cerrado. Por favor, compruebe su hardware contra los paquetes por debajo de las ilustraciones. Las cantidades para cada tema aparece entre paréntesis, mientras que el número de pieza es que aparece en cada tema.

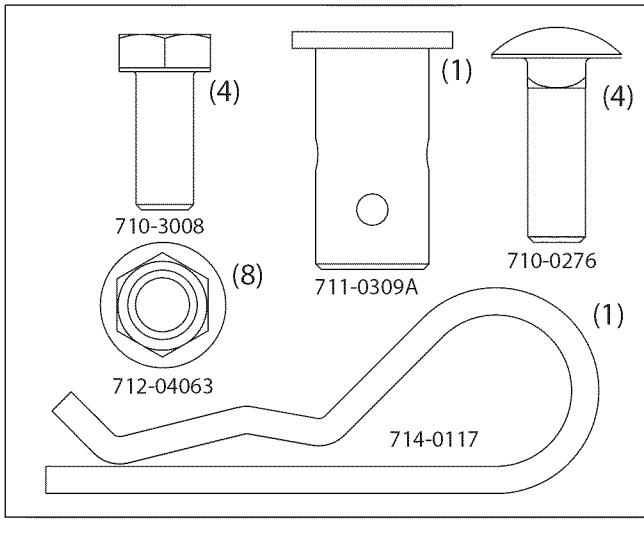
Hardware Pack for 689-00080A



Hardware Pack 689-00092B



Hardware Pack for 689-00097



EL MONTAJE Y LA INSTALACIÓN

Montar Soportes De Montaje

Para montar el montaje asamblea embolsadora, busque el kit de soporte de enganche y siga estos pasos:

1. Adjuntar la mano derecha y mano izquierda jinete tirón soporte a la parte trasera universal abrazaderas utilizando los cuatro pernos de transporte (710-0276) y la brida de bloqueo de los frutos secos (712-04063) del paquete de hardware 689-00097. Posición de las escuadras con las muescas en la mano derecha y mano izquierda jinete tirón entre paréntesis y las pestañas en la parte trasera universal abrazaderas, apuntando hacia arriba. Ver Fig. 1.

NOTA: Este soporte de montaje universal de montaje está diseñado para trabajar con otros accesorios, tales como un kit de peso utilizada en conjunción con la pala de nieve o nieve lanzador archivo adjunto. Utilizar la información de contacto en la página 2, o en contacto con el distribuidor en el que la adquirió este equipo, para averiguar más acerca de los archivos adjuntos disponibles para tu tractor.

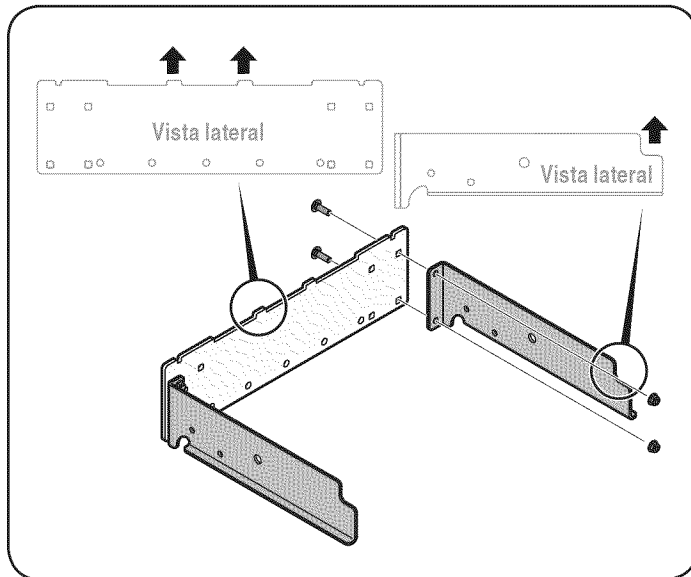


Figura 1

2. Flip en el montaje y montar el soporte de enganche de apoyo a la asamblea de montaje utilizando cuatro tornillos hexagonal 710-3008 y 712-04063 brida de bloqueo de los frutos secos paquete de hardware 689-00097. Ver Fig. 2 para la correcta orientación.

NOTA: Al conectar el tirón de apoyo, lo mejor es no apretar el soporte en este momento. Esto facilitará el proceso de montaje más adelante, que luego requieren ajuste plenamente de este tirón de apoyo soporte.

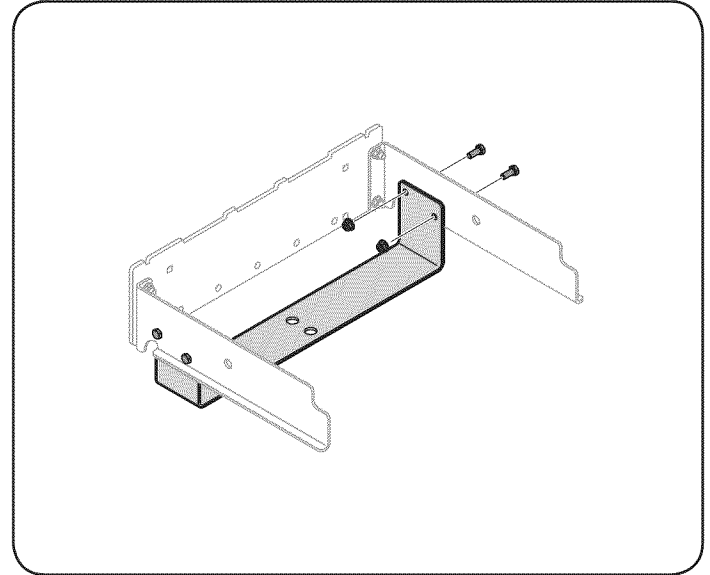


Figura 2

NOTA: Embalado con los postes de soporte de montaje son dos soportes de montaje con el hardware utilizado en otro tractor modelo y no serán necesarios en esta instalación. Simplemente desechar la piezas que se muestran a continuación en la figura. 3.

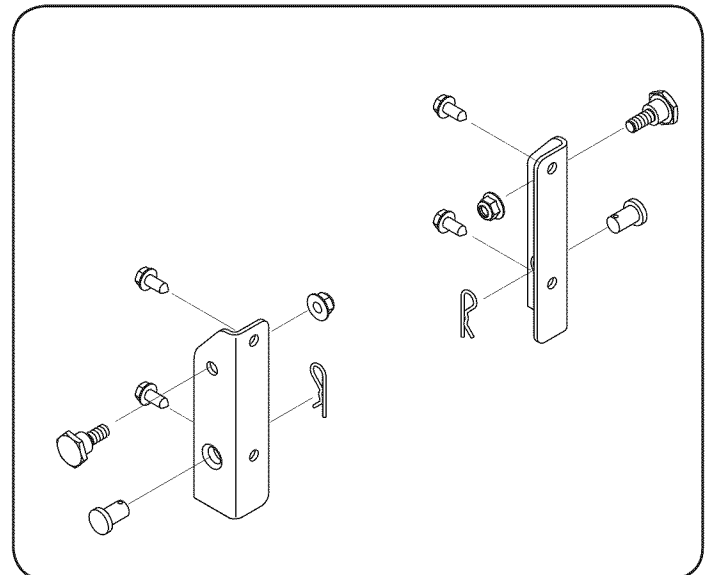


Figura 3

EL MONTAJE Y LA INSTALACIÓN

Armado del montaje de soporte

Ubique la ménsula de soporte vertical y la unidad de soporte de la bolsa. Siga estos pasos para el armado:

1. Apoye la parte superior de la unidad de soporte de la bolsa para abajo con la porción de la ménsula de montaje hacia arriba.
2. Inserte el extremo dentado de la ménsula de soporte vertical en la unidad de soporte de la bolsa, vea la Fig. 4, y ajuste con un perno de carro de 5/16-18 y una tuerca de seguridad con brida de 5/16-18. Vea la Fig. 5.

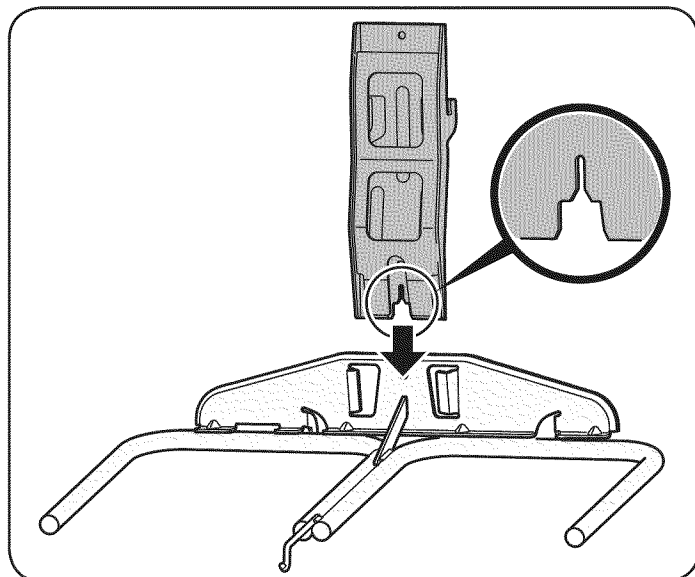


Figura 4

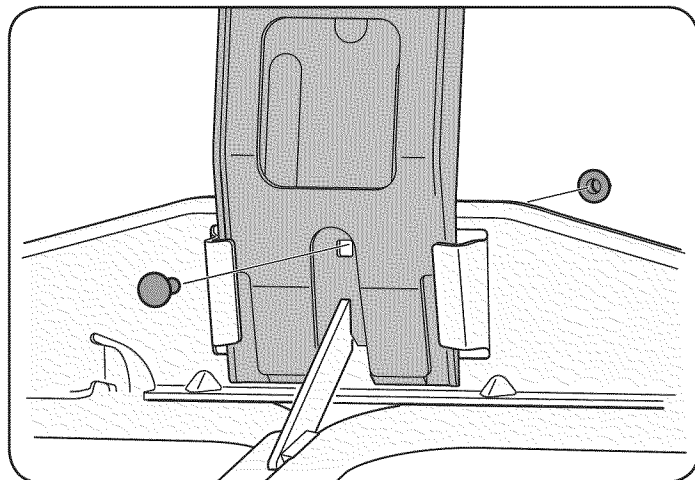


Figura 5

Monte la unidad en el tractor

Instale la unidad de montaje en el tractor de la siguiente manera:

1. Coloque los extremos con gancho de la unidad de montaje sobre los pernos con reborde, como en la Fig. 6, en el tractor y alinee el orificio central de la ménsula de soporte de enganche con el orificio del enganche del tractor

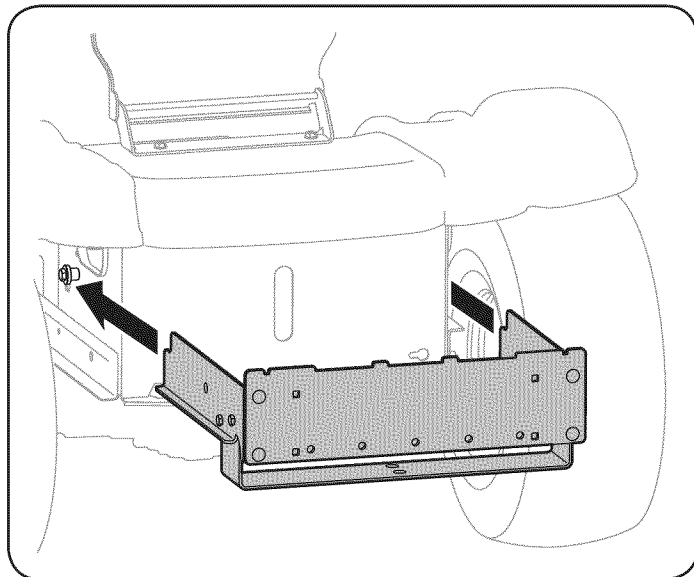


Figura 6

2. Instale la horquilla de pines (711-0309A) de paquete de hardware 689-00097 en el enganche del tractor y el montaje del tirón apoyar y garantizar la horquilla con un clip (710117) en el orificio superior (más cercano al jefe de la pin). Ver Fig. 7.

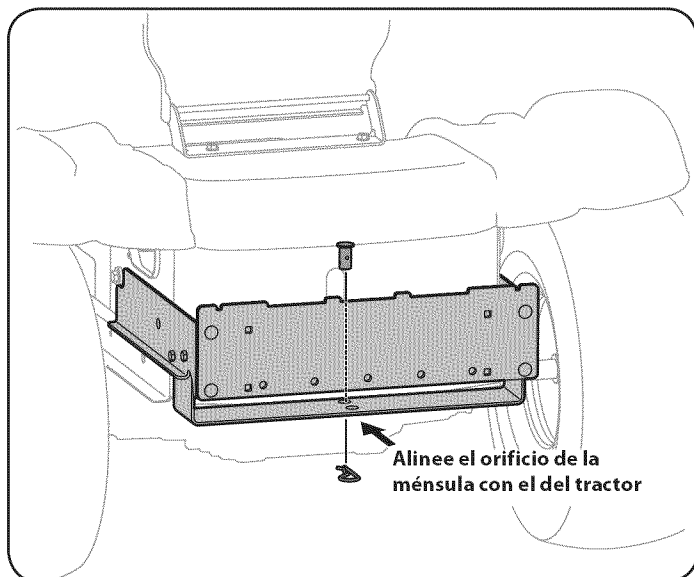


Figura 7

NOTA: La horquilla pin puede ser alimentado a través de el tirón y el apoyo garantizados por debajo de la horquilla con clip, como se ve en la Fig. 7, o puede ser más fácil para alimentar a la horquilla de pin a través del agujero de la placa de enganche y seguro con la horquilla clip sobre la pierna. Este último método puede ser preferido, ya que puede ser más fácil de insertar el clip de horquilla. De cualquier manera será el trabajo, la decisión debe basarse en la preferencia del operador.

3. Apriete todos los equipos de asegurar el tirón de apoyo en este momento.

EL MONTAJE Y LA INSTALACIÓN

4. Instale la unidad de suspensión del recolector en la unidad de montaje del tractor enganchándolo sobre la placa de enganche entre las dos lengüetas. Vea la Fig. 8.

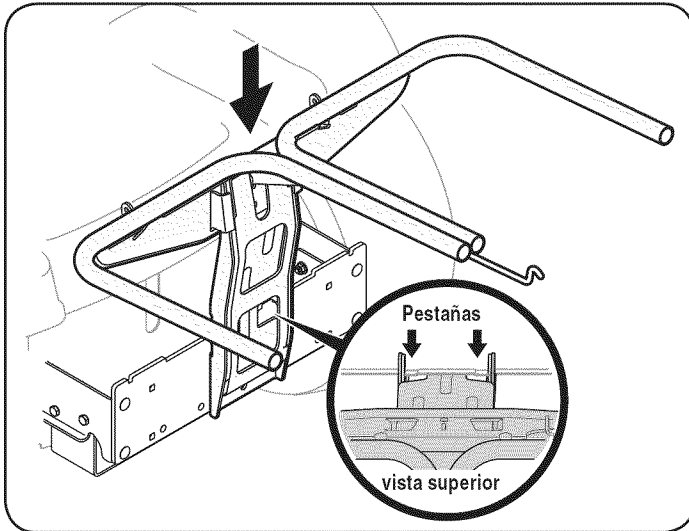


Figura 8

5. Asegure la unidad de suspensión a la unidad de montaje con un perno de 5/16" y una tuerca de brida provistos. Vea la Fig. 9.

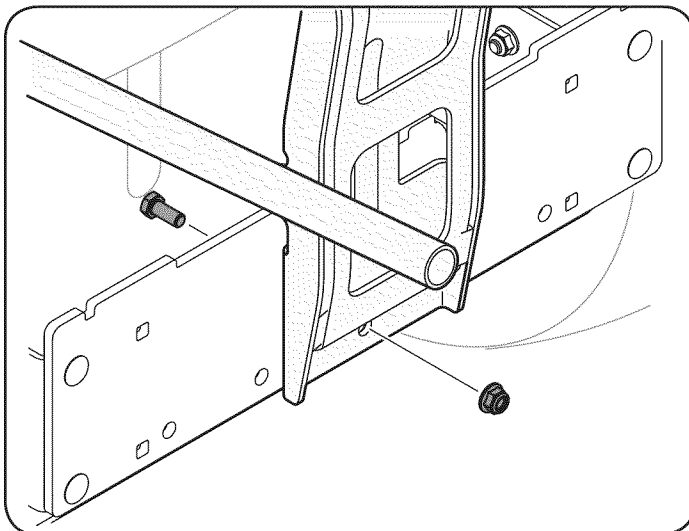


Figura 9

Armado del resto de los componentes del recolector

Una vez que las ménsulas de montaje están armadas y colocadas en el tractor, siga estos pasos para armar el resto de los componentes de la embolsadora.

1. Calce a presión el soporte plástico del canal superior colocando primero el lateral sobre el riel de soporte de la embolsadora con el borde que calza a presión alineado con la línea roja, como se ve en la Fig. 10.
2. Calce el frente del soporte del canal al riel, como se muestra en el recuadro de la Fig. 10.

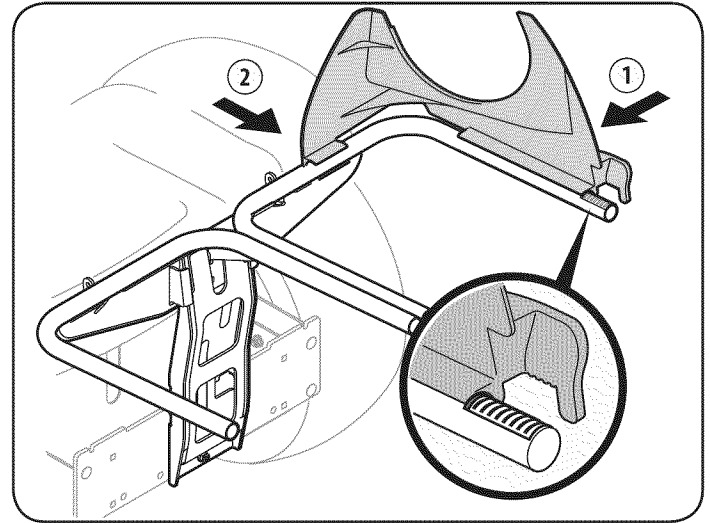


Figura 10

EL MONTAJE Y LA INSTALACIÓN

3. Instale la pantalla de la embolsadora en la cubierta de la misma insertando primero el extremo más próximo en el lado con el recorte en el orificio de montaje, como en la Fig. 11. Asegúrese de pasar la pantalla por debajo del reborde, como en la Fig. 12.

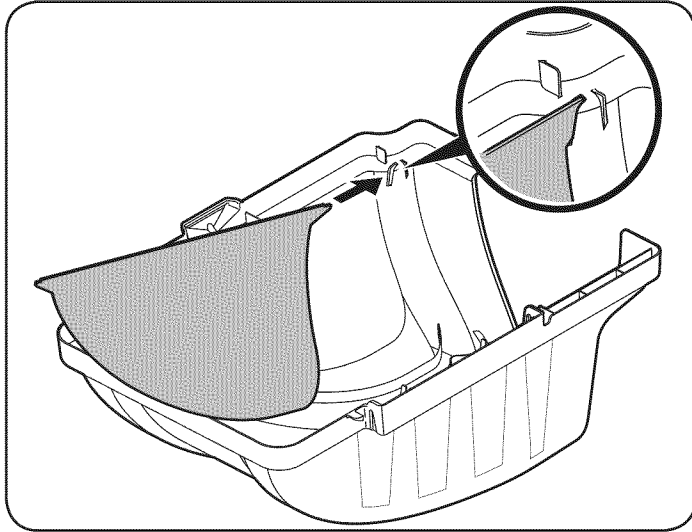


Figura 11

4. Calce el otro lado empujando la pantalla dentro del recorte provisto. Vea la Fig. 12.

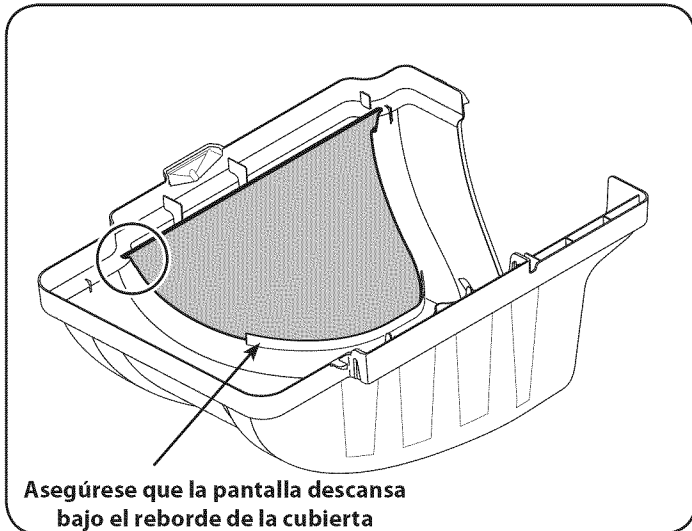


Figura 12

5. Instale la cubierta de la embolsadora en la unidad de soporte de la bolsa, como se muestra en la Fig. 13. La cubierta plástica va dentro de las dos lengüetas de montaje.
6. Deslice el pasador de horquilla en el orificio ubicado en la lengüeta de montaje, como en la Fig. 14. Use la ventana recortada (Vea el recuadro de la Fig. 14) para alinear el pasador de horquilla del otro lado y empujelo hasta que llegue al tope. En este punto el pasador calza en su posición y queda asegurado por una lengüeta de la cubierta de la embolsadora. Vea la Fig. 15.

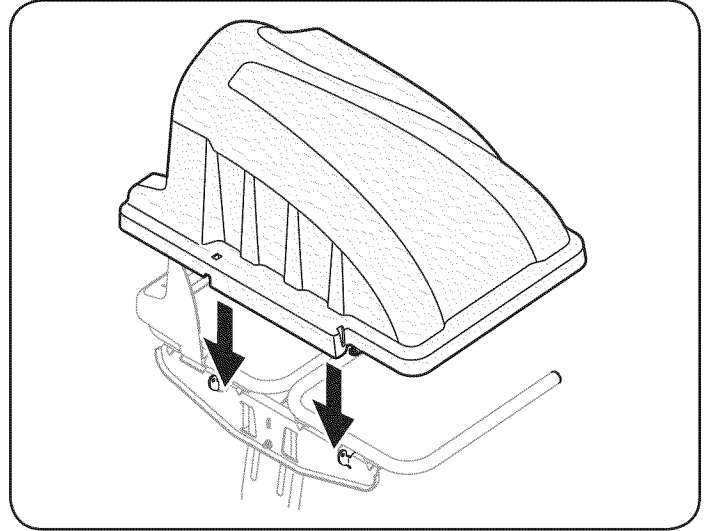


Figura 13

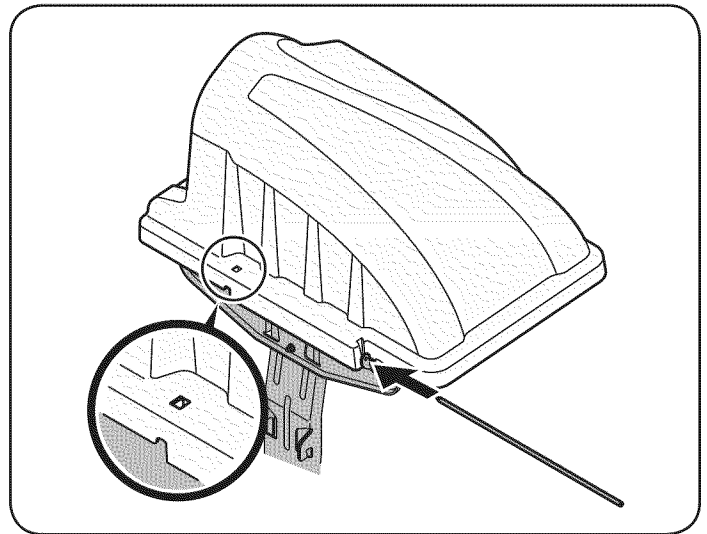


Figura 14

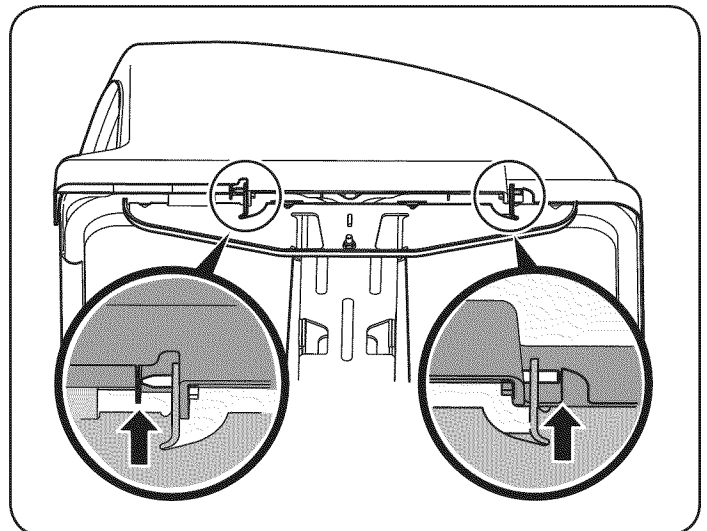


Figura 15

EL MONTAJE Y LA INSTALACIÓN

7. Abra el capó empujando hacia adentro la lengüeta posterior derecha con la mano derecha, como se ve en 1 de la Fig. 16, y levantando la cubierta con la mano izquierda en el centro de la parte posterior de la cubierta de la embolsadora, 2.

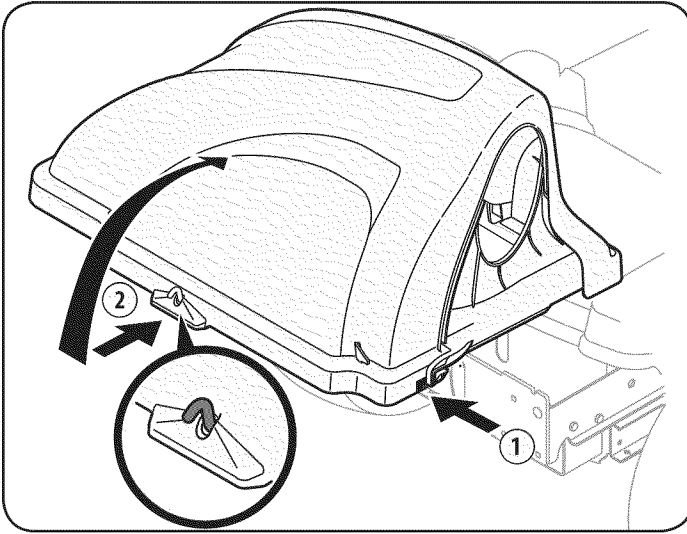


Figura 16

8. Instale ambas unidades con el lado de red apretada hacia adelante, en las ménsulas de soporte de las bolsas insertando primero el frente, como se ve en la Fig. 17, y bajando el borde posterior hasta que calce en la unidad.

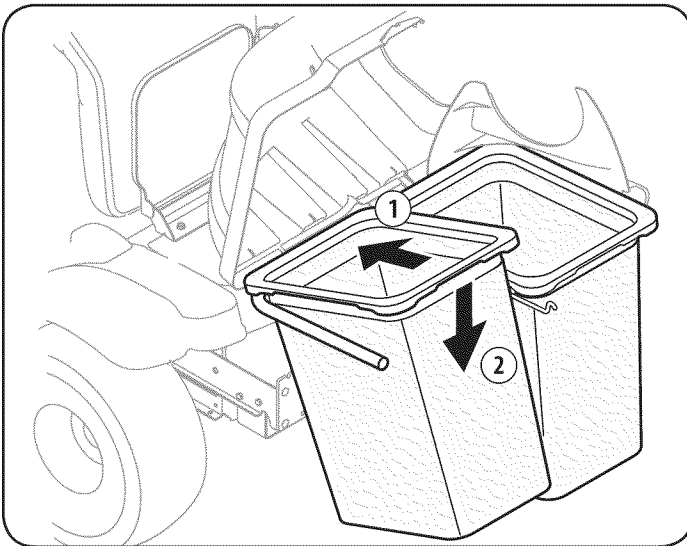


Figura 17

9. Instale una de las correas de caucho cascada (723-04008A) en la tolva de descarga codo con uno de los pins ofrecidos horquilla (711-05063), lavadora (736-0204) y Arcos-empate los pasadores de chaveta (710-4040) del paquete de hardware 689-00092B. Ver Fig. 18. Asegure el extremo de la correa utilizando el agujero más alejado del final, inserte el gancho de la primavera de torsión (732-04510A) del mismo paquete de hardware en el otro extremo de la correa de caucho.

10. Instale la cubierta de montaje pin (711-05049) hasta la cascada en el codo utilizando la arandela plana (736-0176) a partir de paquete de hardware 689-00092BB y segura con una brida de la tuerca de bloqueo (712-3027), como se ve en la Fig. 18.

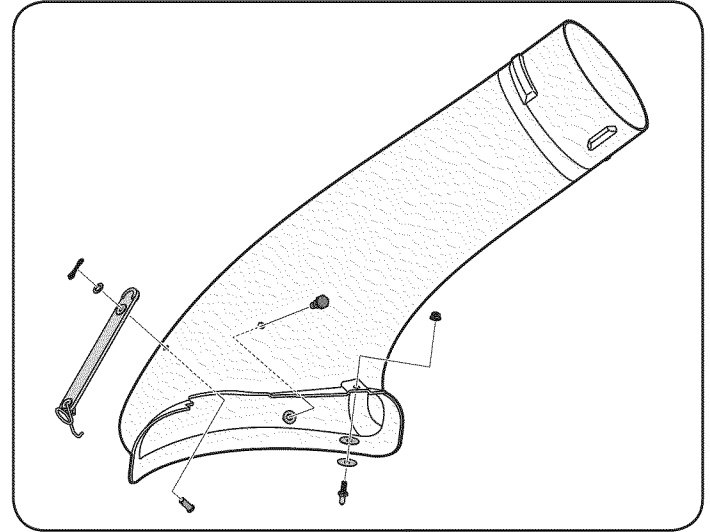


Figura 18

11. Instale el perno del hombro (738-0754) en la cascada codo de la parte superior y seguro en el interior de la tolva codo utilizando una brida de la tuerca de bloqueo (712-04063) del mismo paquete de hardware (689-00092B). Ver Fig. 18.
12. Instalar el césped receptor-pin (711-04069) del paquete de hardware 689-00092B en el agujero en la parte superior de la cascada del codo y segura con una brida de la tuerca de bloqueo (712-3027). Ver Fig. 19.

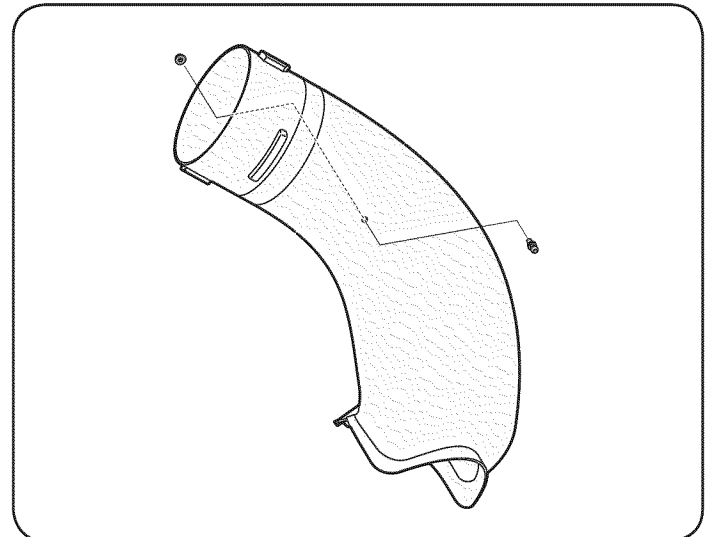


Figura 19

EL MONTAJE Y LA INSTALACIÓN

13. Instale la correa de caucho (723-04008A) en la cascada tubo de extensión utilizando horquilla pin (711-05063), arandela plana (736-0204) y arco-empate pasador de chaveta (7104040) del paquete de hardware 689-00092B. Conecte el extremo con el agujero más cercano al final de la correa, como se ve en la Fig. 20. Esto hará que sea más fácil de agarrar en la correa para tirar, estirar y gancho en la hierba-pin receptor previamente instalado en la cascada codo en el paso anterior.
14. Con el tractor de la tolva de descarga levantó y celebró abierto, la cascada de instalar el codo más de la cascada por la apertura de la colocación de la cubierta de montaje clavija en el agujero previsto, como se ve en la Fig. 21, a continuación, asegurar el codo a la cubierta por el retenedor de enganchar la correa la primavera de torsión más gancho de la cubierta rueda de un soporte de montaje visto en la Fig. 22.

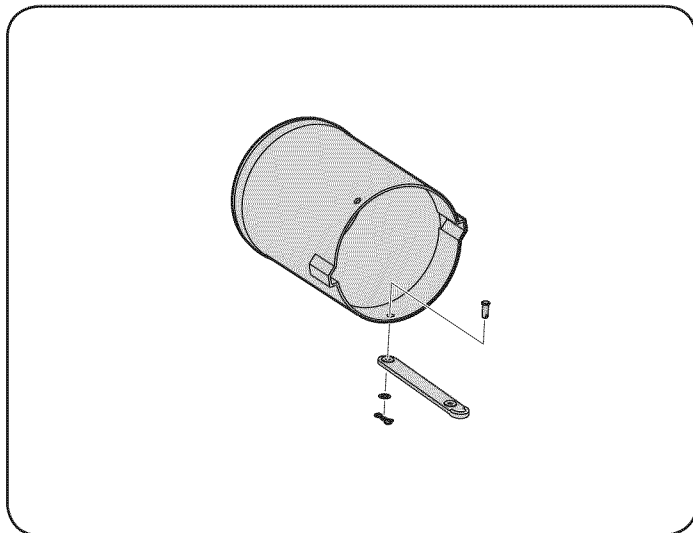


Figura 20

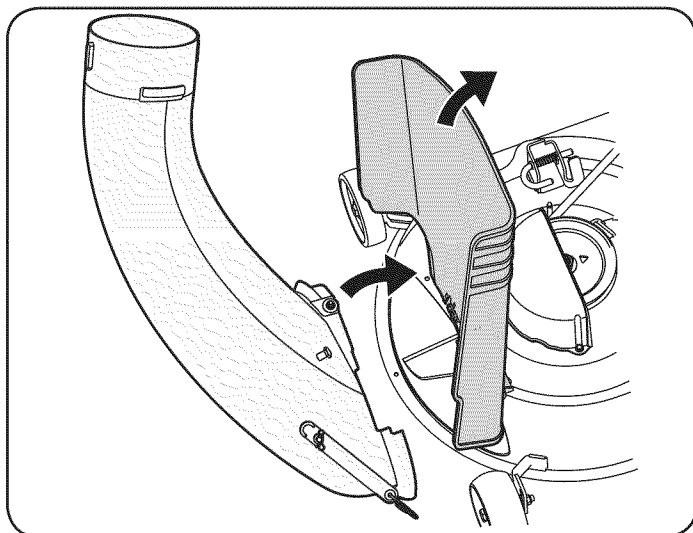


Figura 21

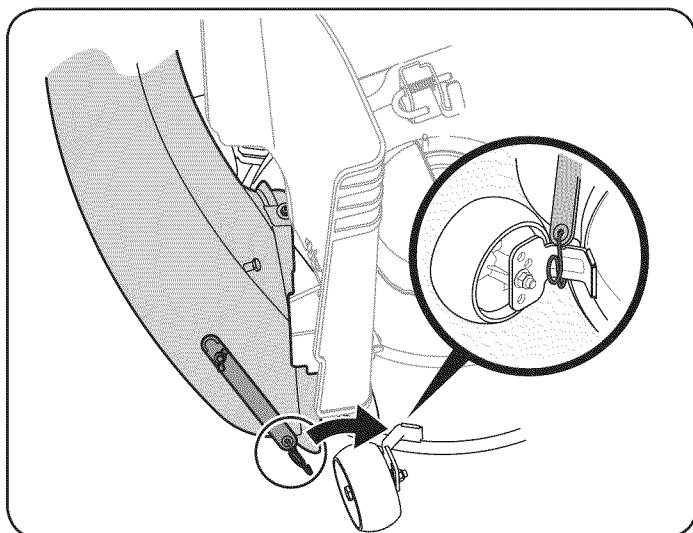


Figura 22

EL MONTAJE Y LA INSTALACIÓN

15. Instale el tubo de extensión cascada en la cascada codo por el forro hasta las pestañas y deslizar el adaptador de más de la cascada del codo, como en la Fig. 23. Asegure el adaptador de la tolva se extiende por la cascada de enganchar la correa y que en el césped-pin receptor instalado anteriormente.

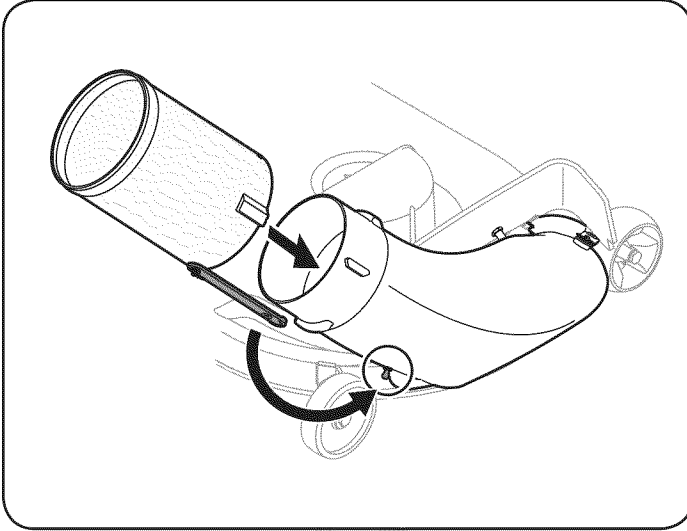


Figura 23

16. Quite la parte trasera de la cinta de espuma autoadhesiva (desde 721 hasta 04.388) que ha sido incluida con el colector de césped. Aplíquelo en la canaleta superior, a ras contra la brida como se muestra en la figura. 24.

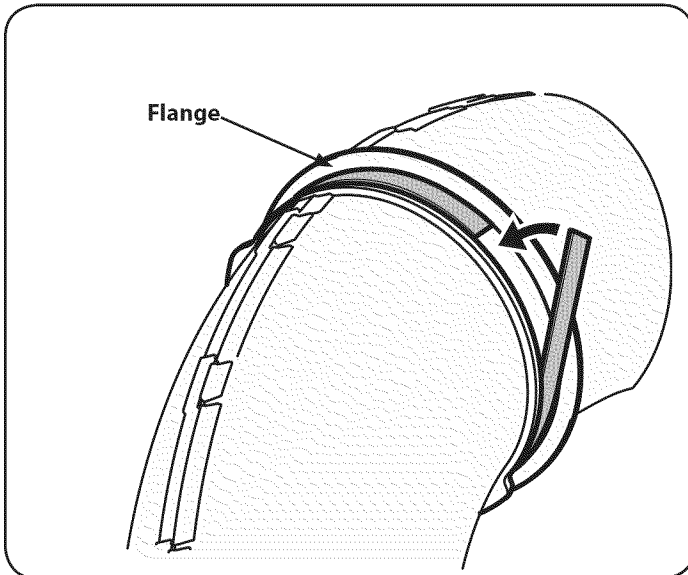


Figura 24

17. Con la hierba receptor de apertura de la cubierta, instalar la tolva de descarga sobre la cascada de extensión del tubo, como se ve en la Fig. 25, y el resto el extremo superior en la parte superior de la tolva de apoyo instalado en el lado derecho de la bolsa de apoyo a la Asamblea. Ver Fig. 26.

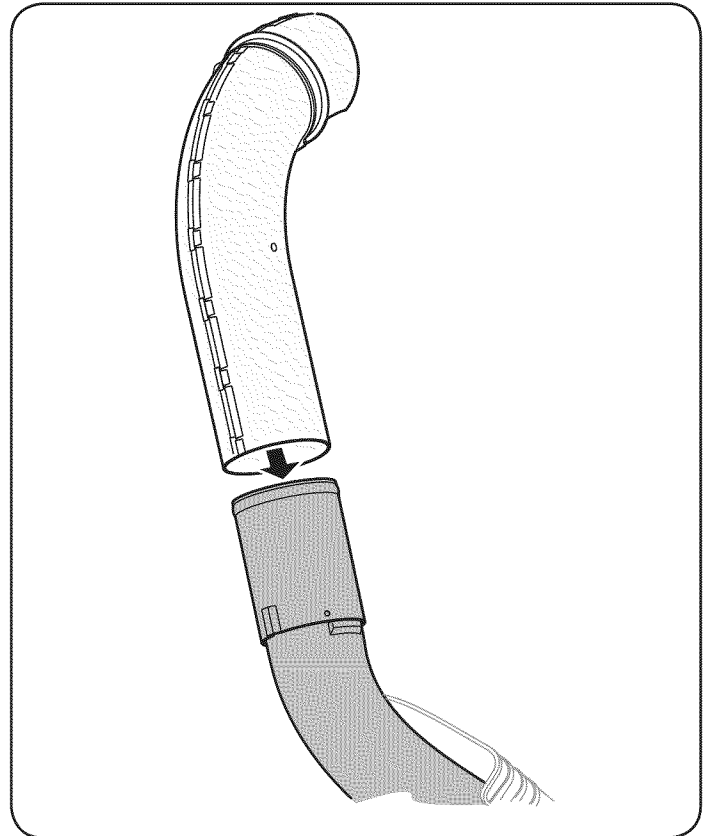


Figura 25

Nota: Asegúrese de alinear el canal superior con las salientes de la ménsula de soporte del recolector.

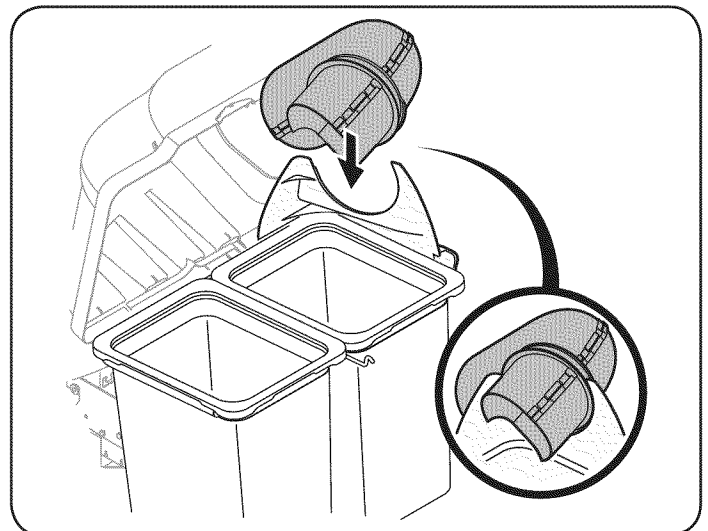


Figura 26

OPERACIÓN

Uso de la embolsadora

NOTA: Cuando las dos bolsas para césped estén llenas, coloque el tractor sobre una superficie firme y nivelada, desenganche la toma de fuerza (PTO), apague el motor del tractor y coloque el freno de mano.

1. Voltée el asiento hacia arriba.
2. Abra el capó empujando hacia adentro la lengüeta posterior derecha con la mano derecha, como se ve en 1 de la Fig. 27, y levantando la cubierta con la mano izquierda en el centro de la parte posterior de la cubierta de la embolsadora, 2.

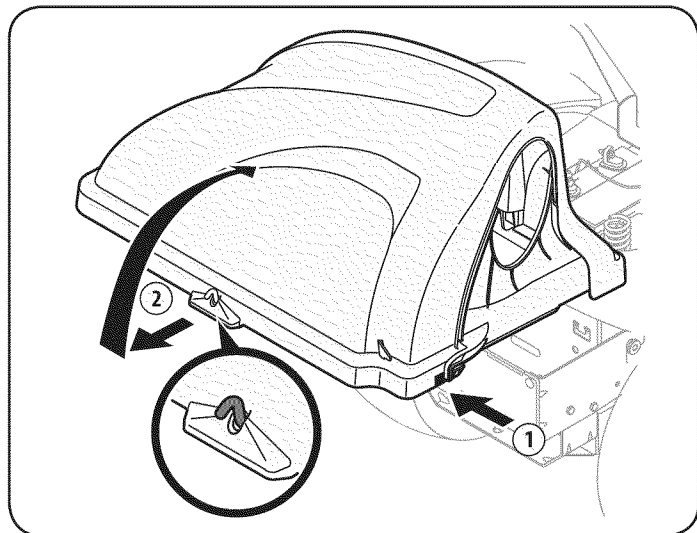


Figure 27

3. Retire el césped mediante el levantamiento de estas bolsas de hasta (1 en la fig. 28) y moviendo las bolsas fuera de la bolsa el apoyo de montaje (2).
4. Vacíe los recortes de pasto en un predio de eliminación adecuado, use la manija del fondo de cada bolsa de césped. Para vaciar el contenido sostenga firmemente la bolsa.
5. Vuelva a colocar las bolsas, cierre la tapa, voltée el asiento hacia abajo, arranque el tractor y continúe cortando el césped.

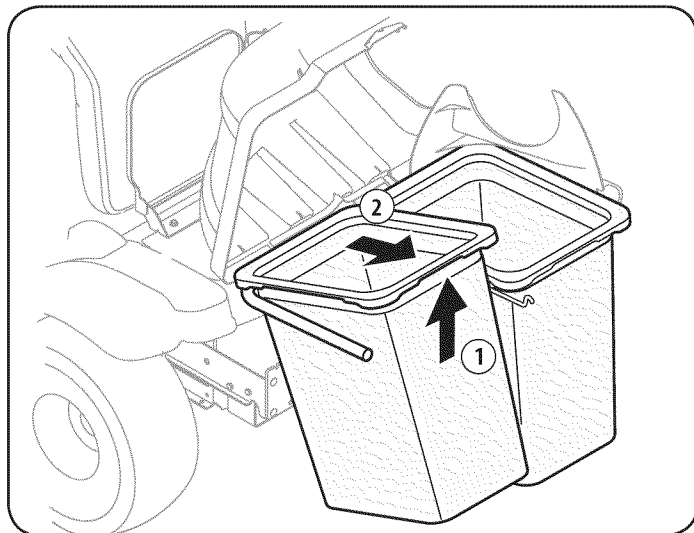


Figure 28

Get it fixed, at your home or ours!

Your Home

For troubleshooting, product manuals and expert advice:



www.managemylife.com

For repair – **in your home** – of **all** major brand appliances, lawn and garden equipment, or heating and cooling systems, **no matter who made it, no matter who sold it!**

For the replacement parts, accessories and owner's manuals that you need to do-it-yourself.

For Sears professional installation of home appliances and items like garage door openers and water heaters.

1-800-4-MY-HOME[®] (1-800-469-4663)

Call anytime, day or night (U.S.A. and Canada)

www.sears.com www.sears.ca

Our Home

For repair of carry-in items like vacuums, lawn equipment, and electronics, call anytime for the location of your nearest

Sears Parts & Repair Service Center

1-800-488-1222 (U.S.A.)

www.sears.com

1-800-469-4663 (Canada)

www.sears.ca

To purchase a protection agreement on a product serviced by Sears:

1-800-827-6655 (U.S.A.)

1-800-361-6665 (Canada)

Para pedir servicio de reparación a domicilio, y para ordenar piezas:

1-888-SU-HOGAR[®]

(1-888-784-6427)

www.sears.com

Au Canada pour service en français:

1-800-LE-FOYER^{MC}

(1-800-533-6937)

www.sears.ca

The Sears logo, featuring the word "Sears" in a large, stylized, serif font with a shadow effect.

® Registered Trademark / TM Trademark of KCD IP, LLC in the United States, or Sears Brands, LLC in other countries

® Marca Registrada / TM Marca de Fábrica de KCD IP, LLC en Estados Unidos, o Sears Brands, LLC in otros países

^{MC} Marque de commerce / ^{MD} Marque déposée de Sears Brands, LLC