



---

# 36" (91.4 CM) AND 48" (121.9 CM) DESIGNER COMMERCIAL-STYLE WALL-MOUNT CANOPY RANGE HOOD

## Installation Instructions and Use & Care Guide

For questions about features, operation/performance, parts, accessories or service, call: **1-800-422-1230**  
or visit our website at [www.kitchenaid.com](http://www.kitchenaid.com)

In Canada, for assistance, installation and service, call: **1-800-807-6777**  
or visit our website at [www.kitchenaid.ca](http://www.kitchenaid.ca)

---

# HOTTE DE CUISINIÈRE STYLISÉE DE TYPE COMMERCIAL, À MONTAGE MURAL - 36" (91,4 CM) ET 48" (121,9 CM)

## Instructions d'installation et Guide d'utilisation et d'entretien

Au Canada, pour assistance, installation ou service composez le **1-800-807-6777**  
ou visitez notre site web à [www.kitchenaid.ca](http://www.kitchenaid.ca)

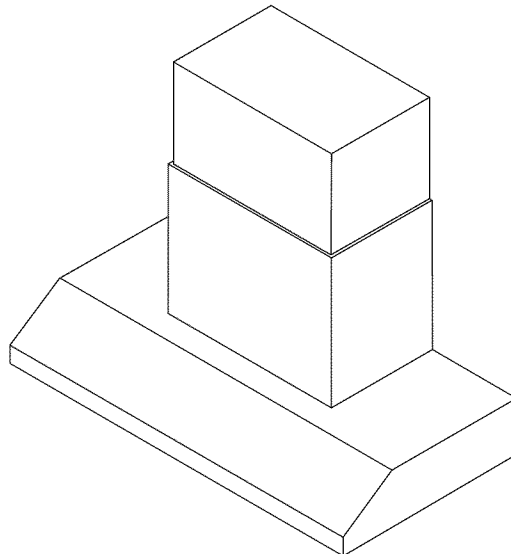
---

Para obtener acceso al manual de uso y cuidado en español, o para obtener información adicional acerca de su producto, visite:  
[www.kitchenaid.com](http://www.kitchenaid.com).

Tenga listo su número de modelo completo. Puede encontrar el número de modelo y de serie dentro de la cavidad superior de la puerta.

---

Table of Contents/Table des matières..... 2



**IMPORTANT: READ AND SAVE THESE INSTRUCTIONS.  
FOR RESIDENTIAL USE ONLY.**  
**IMPORTANT : LIRE ET CONSERVER CES INSTRUCTIONS.  
POUR UTILISATION RÉSIDENIELLE UNIQUEMENT.**

# TABLE OF CONTENTS

<b>RANGE HOOD SAFETY</b> .....	<b>2</b>
<b>INSTALLATION REQUIREMENTS</b> .....	<b>4</b>
Tools and Parts .....	4
Location Requirements .....	4
Venting Requirements .....	5
Electrical Requirements .....	6
<b>INSTALLATION INSTRUCTIONS</b> .....	<b>7</b>
Prepare Location .....	7
Install Range Hood .....	8
Install Range Hood Internal Blower Motor .....	8
Install Range Hood In-Line (External Type) Blower Motor .....	10
Make Electrical Connections for In-Line Blower Motor System .....	12
Make Electrical Power Supply Connection to Range Hood .....	13
Install Chimney Covers .....	14
Complete Installation and Check Operation .....	14
<b>RANGE HOOD USE</b> .....	<b>15</b>
Range Hood Controls .....	15
<b>RANGE HOOD CARE</b> .....	<b>16</b>
Cleaning .....	16
<b>WIRING DIAGRAM</b> .....	<b>17</b>
<b>ASSISTANCE OR SERVICE</b> .....	<b>18</b>
In the U.S.A. ....	18
In Canada .....	18
Accessories .....	18
<b>WARRANTY</b> .....	<b>19</b>

# TABLE DES MATIÈRES

<b>SÉCURITÉ DE LA HOTTE DE CUISINIÈRE</b> .....	<b>21</b>
<b>EXIGENCES D'INSTALLATION</b> .....	<b>23</b>
Outils et pièces .....	23
Exigences d'emplacement .....	23
Exigences concernant l'évacuation .....	24
Spécifications électriques .....	26
<b>INSTRUCTIONS D'INSTALLATION</b> .....	<b>26</b>
Préparation de l'emplacement .....	26
Installation de la hotte .....	27
Installation du moteur du ventilateur interne de la hotte .....	28
Installation du moteur du ventilateur en ligne (externe) de la hotte .....	30
Réalisation des connexions électriques du système du moteur du ventilateur en ligne .....	32
Réalisation des connexions de l'alimentation électrique à la hotte .....	33
Installation du cache-cheminée .....	34
Achever l'installation et vérifier le fonctionnement .....	34
<b>UTILISATION DE LA HOTTE</b> .....	<b>35</b>
Commandes de la hotte de cuisinière .....	35
<b>ENTRETIEN DE LA HOTTE</b> .....	<b>36</b>
Nettoyage .....	36
<b>SCHÉMA DE CÂBLAGE</b> .....	<b>37</b>
<b>ASSISTANCE OU SERVICE</b> .....	<b>38</b>
Au Canada .....	38
Accessoires .....	38
<b>GARANTIE</b> .....	<b>39</b>

## RANGE HOOD SAFETY

### Your safety and the safety of others are very important.

We have provided many important safety messages in this manual and on your appliance. Always read and obey all safety messages.



This is the safety alert symbol.

This symbol alerts you to potential hazards that can kill or hurt you and others.

All safety messages will follow the safety alert symbol and either the word "DANGER" or "WARNING."

These words mean:

**⚠ DANGER**

**You can be killed or seriously injured if you don't immediately follow instructions.**

**⚠ WARNING**

**You can be killed or seriously injured if you don't follow instructions.**

All safety messages will tell you what the potential hazard is, tell you how to reduce the chance of injury, and tell you what can happen if the instructions are not followed.

# IMPORTANT SAFETY INSTRUCTIONS

**WARNING:** TO REDUCE THE RISK OF FIRE, ELECTRIC SHOCK, OR INJURY TO PERSONS, OBSERVE THE FOLLOWING:

- Use this unit only in the manner intended by the manufacturer. If you have questions, contact the manufacturer.
- Before servicing or cleaning the unit, switch power off at service panel and lock the service disconnecting means to prevent power from being switched on accidentally. When the service disconnecting means cannot be locked, securely fasten a prominent warning device, such as a tag, to the service panel.
- Installation work and electrical wiring must be done by qualified person(s) in accordance with all applicable codes and standards, including fire-rated construction.
- Do not operate any fan with a damaged cord or plug. Discard fan or return to an authorized service facility for examination and/or repair.
- Sufficient air is needed for proper combustion and exhausting of gases through the flue (chimney) of fuel burning equipment to prevent backdrafting. Follow the heating equipment manufacturer's guideline and safety standards such as those published by the National Fire Protection Association (NFPA), the American Society for Heating, Refrigeration and Air Conditioning Engineers (ASHRAE), and the local code authorities.
- When cutting or drilling into wall or ceiling; do not damage electrical wiring and other utilities.
- Ducted fans must always be vented outdoors.

**CAUTION:** For general ventilating use only. Do not use to exhaust hazardous or explosive materials and vapors.

**CAUTION:** To reduce risk of fire and to properly exhaust air, be sure to duct air outside - do not vent exhaust air into spaces within walls or ceilings, attics or into crawl spaces, or garages.

**WARNING:** TO REDUCE THE RISK OF FIRE, USE ONLY METAL DUCTWORK.

**WARNING:** TO REDUCE THE RISK OF A RANGE TOP GREASE FIRE:

- Never leave surface units unattended at high settings. Boilovers cause smoking and greasy spillovers that may ignite. Heat oils slowly on low or medium settings.
- Always turn hood ON when cooking at high heat or when flambeing food (i.e. Crepes Suzette, Cherries Jubilee, Peppercorn Beef Flambé).
- Clean ventilating fans frequently. Grease should not be allowed to accumulate on fan or filter.
- Use proper pan size. Always use cookware appropriate for the size of the surface element.

**WARNING:** TO REDUCE THE RISK OF INJURY TO PERSONS IN THE EVENT OF A RANGE TOP GREASE FIRE, OBSERVE THE FOLLOWING:<sup>a</sup>

- SMOTHER FLAMES with a close fitting lid, cookie sheet, or metal tray, then turn off the burner. BE CAREFUL TO PREVENT BURNS. If the flames do not go out immediately, EVACUATE AND CALL THE FIRE DEPARTMENT.
- NEVER PICK UP A FLAMING PAN - you may be burned.
- DO NOT USE WATER, including wet dishcloths or towels - a violent steam explosion will result.
- Use an extinguisher ONLY if:
  - You know you have a class ABC extinguisher, and you already know how to operate it.
  - The fire is small and contained in the area where it started.
  - The fire department is being called.
  - You can fight the fire with your back to an exit.

<sup>a</sup>Based on "Kitchen Fire Safety Tips" published by NFPA.

- **WARNING:** To reduce the risk of fire or electrical shock, do not use this fan with any solid-state speed control device.

## READ AND SAVE THESE INSTRUCTIONS

# INSTALLATION REQUIREMENTS

## Tools and Parts

Gather the required tools and parts before starting installation. Read and follow the instructions provided with any tools listed here.

### Tools needed

- Level
- Drill
- Drill 1¼" (3 cm) drill bit
- ⅜" (2.4 mm) drill bit if installing into wood
- Pencil
- Wire stripper or utility knife
- Tape measure or ruler
- Pliers
- Caulking gun and weatherproof caulking compound
- Vent clamps
- Jigsaw or keyhole saw
- Flat-blade screwdriver
- Metal snips
- Phillips screwdriver
- Scissors

### Parts needed

- Home power supply cable
- 1 - ½" (12.7 mm) UL listed or CSA approved strain relief
- 3 UL listed wire connectors
- 1 wall or roof cap
- Metal vent system
- 2 - 175-watt max heat lamp bulbs
- Blower motor system - internal or external (see "Blower Motor System" in the "Accessories" section.)

### Parts supplied

Remove parts from packages. Check that all parts are included.

- 2 metal grease filters for 36" (91.4 cm) models  
3 metal grease filters for 48" (121.9 cm) models
- Damper
- 2 - Vent cover support brackets
- 2 - 10 x 50 mm mounting screws
- 2 - 8 x 40 mm mounting screws
- 2 - D5.3 x 20 mm washers
- 4 - 5 x 45 mm screws
- 6 - 4.2 x 8 mm screws
- T-20 TORX<sup>®†</sup> adapter

## Location Requirements

**IMPORTANT:** Observe all governing codes and ordinances.

Have a qualified technician install the range hood. It is the installer's responsibility to comply with installation clearances specified on the model/serial rating plate. The model/serial rating plate is located inside the range hood on the rear wall of the range hood.

Canopy range hood location should be away from strong draft areas, such as windows, doors and strong heating vents.

Cabinet opening dimensions that are shown must be used. Given dimensions provide minimum clearance.

The canopy range hood is factory set for venting through the roof or through the wall.

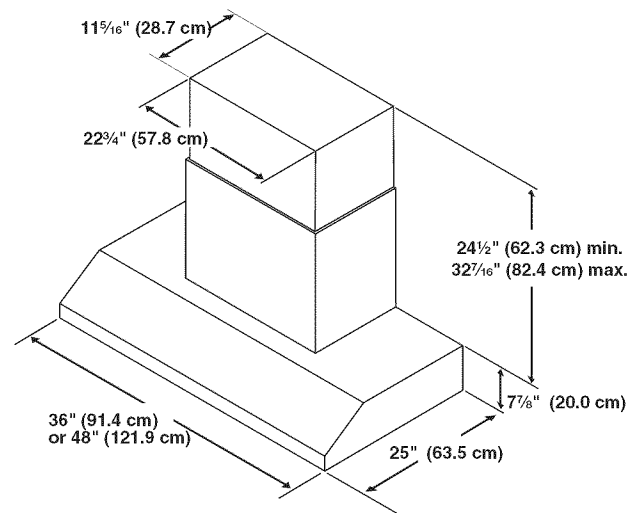
All openings in ceiling and wall where canopy range hood will be installed must be sealed.

### For Mobile Home Installations

The installation of this range hood must conform to the Manufactured Home Construction Safety Standards, Title 24 CFR, Part 328 (formerly the Federal Standard for Mobile Home Construction and Safety, Title 24, HUD, Part 280) or when such standard is not applicable, the standard for Manufactured Home Installation 1982 (Manufactured Home Sites, Communities and Setups) ANSI A225.1/NFPA 501A, or latest edition, or with local codes.

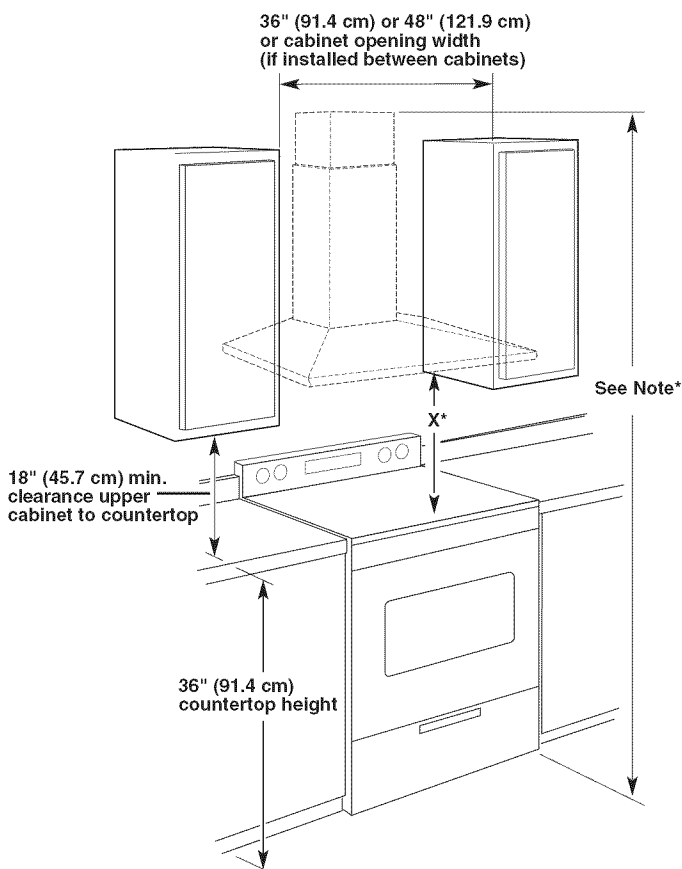
## Product Dimensions

### Vented Installations



†®TORX is a registered trademark of Saturn Fasteners, Inc.

## Installation Dimensions



**\*NOTE:** The range hood chimneys are adjustable and designed to meet varying ceiling or soffit heights depending on the distance "X" between the bottom of the range hood and the cooking surface. For higher ceilings, an Extension Kit Part Number W10352733 is available from your dealer or an authorized parts distributor. The chimney extension replaces the upper chimney shipped with the range hood.

### IMPORTANT:

- Minimum distance "X": 24" (61 cm) from electric cooking surfaces
- Minimum distance "X": 30" (76.2 cm) from gas cooking surfaces

The chimneys can be adjusted for ceilings between 8' 2<sup>3</sup>/<sub>8</sub>" (2.5 m) and 8' 10<sup>1</sup>/<sub>16</sub>" (2.7 m) when mounted at 30" (76.2 cm) height over a gas cooking surface.

The chimneys can be adjusted for ceilings between 7' 8<sup>3</sup>/<sub>8</sub>" (2.4 m) and 8' 4<sup>1</sup>/<sub>16</sub>" (2.55 m) when mounted at 24" (61 cm) height over electric cooking surface.

## Venting Requirements

- Vent system must terminate to the outdoors.
- Do not terminate the vent system in an attic or other enclosed area.
- Do not use 4" (10.2 cm) laundry-type wall caps.
- Use metal vent only. Rigid metal vent is recommended. Plastic or metal foil vent is not recommended.
- The length of vent system and number of elbows should be kept to a minimum to provide efficient performance.

### For the most efficient and quiet operation:

- Use no more than three 90° elbows.
- Make sure there is a minimum of 24" (61.0 cm) of straight vent between the elbows if more than 1 elbow is used.
- Do not install 2 elbows together.
- Use clamps to seal all joints in the vent system.
- The vent system must have a damper. If the roof or wall cap has a damper, do not use the damper supplied with the range hood.
- Use caulking to seal exterior wall or roof opening around the cap.
- The size of the vent should be uniform.

### Cold weather installations

An additional back draft damper should be installed to minimize backward cold air flow and a thermal break should be installed to minimize conduction of outside temperatures as part of the vent system. The damper should be on the cold air side of the thermal break.

The break should be as close as possible to where the vent system enters the heated portion of the house.

### Makeup air

Local building codes may require the use of makeup air systems when using ventilation systems greater than specified CFM of air movement. The specified CFM varies from locale to locale. Consult your HVAC professional for specific requirements in your area.

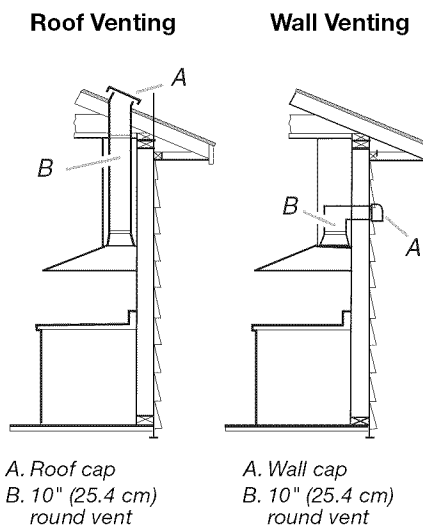
## Venting Methods

### Typical Internal Blower Motor System Venting Installations

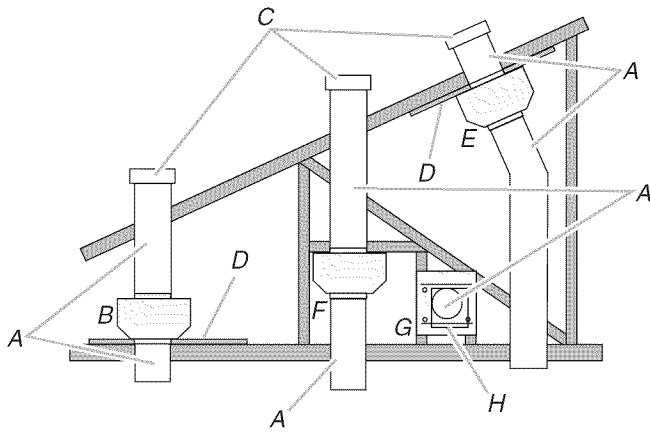
A 10" (25.4 cm) round vent system is needed for installation (not included). The range hood exhaust opening is 10" (25.4 cm) round.

**NOTE:** Flexible vent is not recommended. Flexible vent creates back pressure and air turbulence that greatly reduce performance.

Vent system can terminate either through the roof or wall. To vent through the wall, a 90° elbow is needed.



## Typical In-line Blower Motor System Venting Installations



- A. 10" (25.4 cm) round vent
- B. Mount on top of ceiling joists.
- C. Roof caps
- D. Plywood (optional on some installations)
- E. Mount on underside of roof rafters.
- F. Mount from cross-members tied to trusses.
- G. Duct horizontal; mount to cross-members tied to trusses.
- H. Wall cap

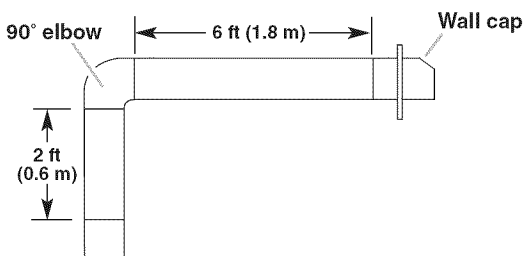
### Calculating Vent System Length

To calculate the length of the system you need, add the equivalent feet (meters) for each vent piece used in the system.

Vent Piece	Equivalent Length	
45° elbow	2.5 ft (0.8 m)	
90° elbow	5.0 ft (1.5 m)	

The maximum equivalent vent lengths are:  
10" (25.4 cm) round vent - 60 ft (18.3 m)

### Example vent system



The following example falls within the maximum recommended vent length.

1 - 90° elbow	= 5.0 ft (1.5 m)
1 - wall cap	= 0.0 ft (0.0 m)
8 ft (2.4 m) straight	= 8.0 ft (2.4 m)
Length of system	= 13.0 ft (3.9 m)

## Electrical Requirements

Observe all governing codes and ordinances.

Ensure that the electrical installation is adequate and in conformance with National Electrical Code, ANSI/NFPA 70 (latest edition), or CSA Standards C22.1-94, Canadian Electrical Code, Part 1 and C22.2 No. 0-M91 (latest edition) and all local codes and ordinances.

If codes permit and a separate ground wire is used, it is recommended that a qualified electrician determine that the ground path is adequate.

A copy of the above code standards can be obtained from:

National Fire Protection Association  
One Batterymarch Park  
Quincy, MA 02269  
CSA International  
8501 East Pleasant Valley Road  
Cleveland, OH 44131-5575

- A 120 volt, 60 Hz., AC only, 15-amp, fused electrical circuit is required.

- If the house has aluminum wiring, follow the procedure below:

1. Connect a section of solid copper wire to the pigtail leads.
2. Connect the aluminum wiring to the added section of copper wire using special connectors and/or tools designed and UL listed for joining copper to aluminum.

Follow the electrical connector manufacturer's recommended procedure. Aluminum/copper connection must conform with local codes and industry accepted wiring practices.

- Wire sizes and connections must conform with the rating of the appliance as specified on the model/serial rating plate. The model/serial plate is located behind the filter on the rear wall of the range hood.
- Wire sizes must conform to the requirements of the National Electrical Code, ANSI/NFPA 70 (latest edition), or CSA Standards C22.1-94, Canadian Electrical Code, Part 1 and C22.2 No. 0-M91 (latest edition) and all local codes and ordinances.

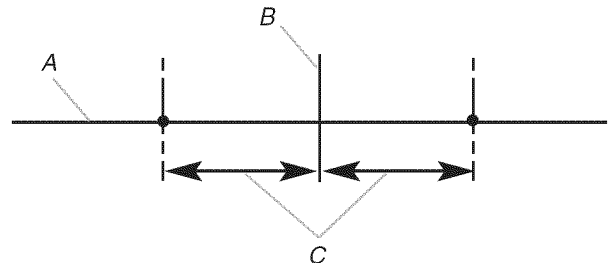
# INSTALLATION INSTRUCTIONS

## Prepare Location

- It is recommended that the vent system be installed before range hood is installed.
  - Before making cutouts, make sure there is proper clearance within the ceiling or wall for exhaust vent.
  - Range hood is to be installed 24" (61.0 cm) min. for electric cooking surfaces, 30" (76.2 cm) min. for gas cooking surfaces, to a suggested maximum of 36" (91.4 cm) above the cooking surface.
  - Check your ceiling height and the range hood height maximum before you select your range hood.
1. Disconnect power.
  2. Determine which venting method to use: roof or wall.
  3. Select a flat surface for assembling the range hood. Place covering over that surface.

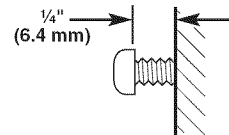
4. Drill  $\frac{3}{32}$ " (2.4 mm) pilot holes for installation into wood. The screws provided for mounting this range hood must be fastened into solid wood. Do not fasten only into sheet rock.
 

**IMPORTANT:** All screws must be installed into wood. If there is no wood to screw into, additional wall framing supports may be required.



A. Horizontal line  
B. Vertical centerline of range hood  
C.  $5\frac{1}{16}$ " (14.4 cm)

5. Install the 4.2 x 9.5 cm mounting screws. Leave a  $\frac{1}{4}$ " (6.4 mm) gap between the wall and the back of the screw head to slide range hood into place.



## **WARNING**

### Excessive Weight Hazard

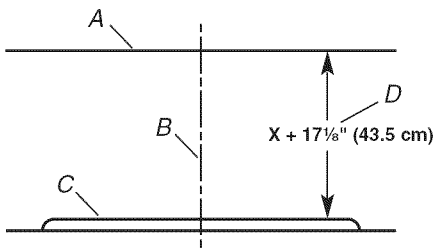
Use two or more people to move and install range hood.

Failure to do so can result in back or other injury.

4. Using 2 or more people, lift range hood onto covered surface.

## Range Hood Mounting Screws Installation

1. Determine and mark the centerline on the wall where the range hood will be installed.
2. Based on the ceiling or soffit height, determine the distance "X" (24" [61.0 cm] min. from electric cooking surface or 30" [76.2 cm] min. to gas cooking surface, suggested 36" [91.4 cm] max.) needed between the cooking surface and the bottom of the range hood. To this distance, add  $17\frac{1}{8}$ " (43.5 cm) and draw a horizontal line (A) about 24" (61.0 cm) long centered on the vertical centerline (B) at this distance.

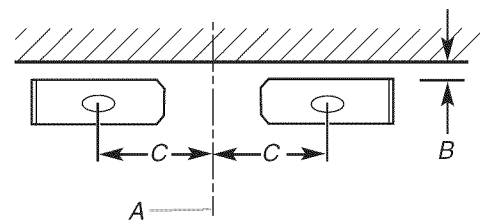


A. Horizontal line  
B. Vertical centerline  
C. Cooking surface  
D. Distance "X" (24" [61.0 cm] min. from electric cooking surface, 30" [76.2 cm] min. from gas cooking surface, suggested 36" [91.4 cm] max.) +  $17\frac{1}{8}$ " (43.5 cm)

3. Following the illustrations in Step 4, mark points on each side of the horizontal line as measured from the vertical centerline.

## Chimney Support Bracket Installation

1. Place two of the chimney brackets against the wall so that their top edges are  $\frac{1}{16}$ " (2.0 mm) from the ceiling or soffit and level. Mark holes.



A. Vertical centerline  
B.  $\frac{1}{16}$ " (1.6 mm)  
C.  $10\frac{9}{16}$ " (26.9 cm)

2. Drill pilot holes.
  - If installing into wood, drill 4 -  $\frac{3}{32}$ " (2.4 mm) pilot holes.
3. Attach each bracket to the wall with a 4.2 x 9.5 cm mounting screw. Tighten screws securely.

## Complete Preparation

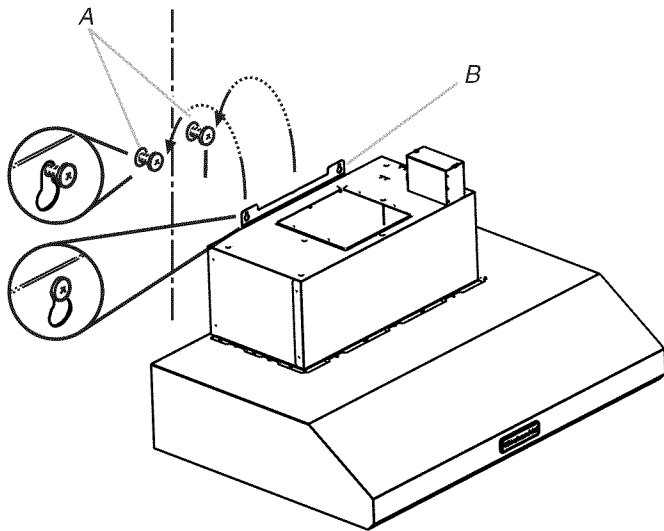
1. Determine and make all necessary cuts in the wall for the vent system. Install the vent system before installing the range hood. See the "Venting Requirements" section.
2. Determine the location where the power supply cable will be run through the wall. Be sure that the location will be covered by the chimney of the range hood.
3. Drill a 1¼" (3.2 cm) hole at this location.
4. Pull enough power supply cable through the wall to allow for easy connection to the terminal box.

**NOTE:** Your range hood requires you to purchase either an internal type or an in-line (external type) blower motor system.

For internal blower systems, there are blower motor mounting parts in the blower motor installation packet that must be added to the range hood prior to mounting the range hood to the wall. See the "Install Range Hood Internal Blower Motor" section and the instructions supplied with the blower motor.

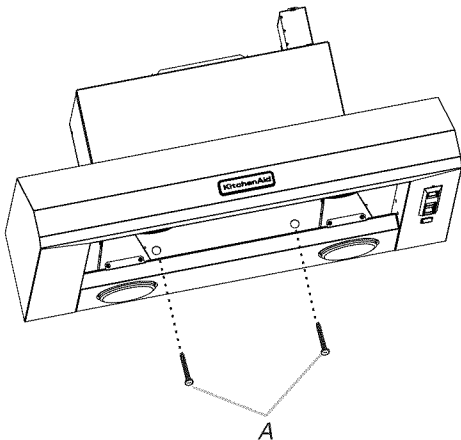
## Install Range Hood

1. Remove the grease filter. See "Range Hood Care" section.
2. Using 2 or more people, hang range hood on 2 mounting screws through the mounting slots on back of range hood.



A. Mounting screws  
B. Mounting slots

3. Level the range hood and tighten upper mounting screws.
4. Install 2 - 5 x 45 mm lower mounting screws and tighten.



A. Lower mounting screws

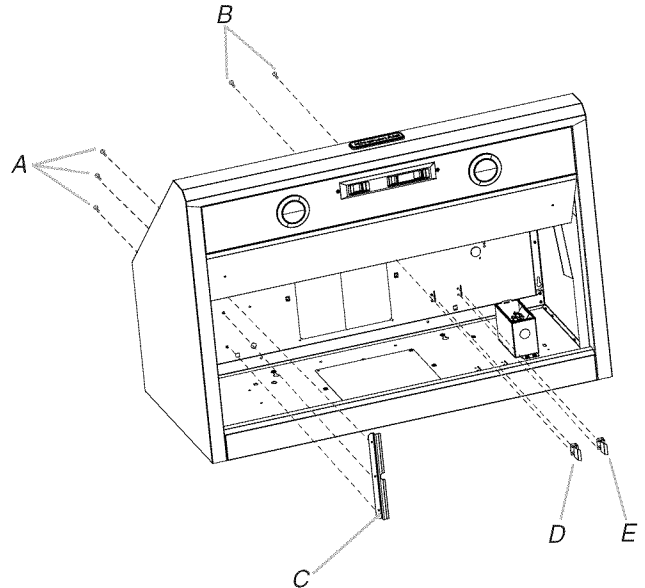
## Install Range Hood Internal Blower Motor

**NOTE:** Your range hood requires you to purchase either an internal type or an in-line (external type) blower motor system. See "Blower Motor System" in the "Accessories" section.

### Prepare the Internal Blower System

**IMPORTANT:** Perform steps 1-4 before mounting the range hood.

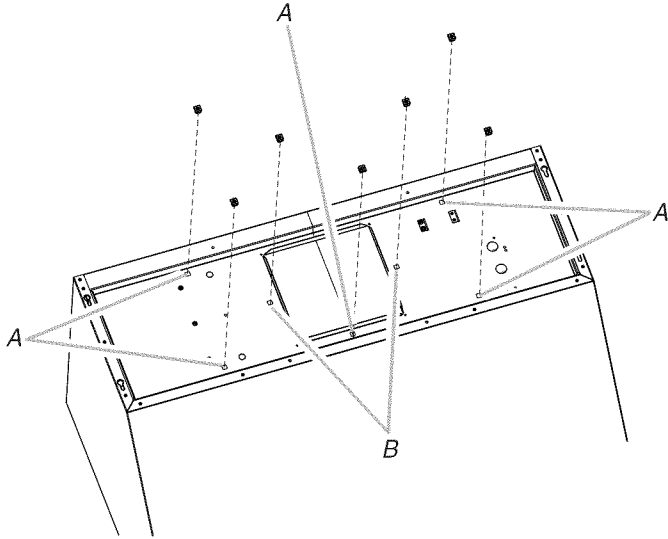
1. Remove grease filters from range hood. See the "Range Hood Care" section in the Use and Care Guide.
2. Install the motor support bracket using three 4.2 x 8 mm screws. Screw bracket to the inside top or back (alternate location on some models), toward the left side of the range hood.
3. Install motor spring clip using two 4.2 x 8 mm screws. Screw spring clip to the inside top or back (alternate location on some models) of the range hood at the proper location for the selected motor system. Slide the mounting tab of the spring clip through the slot in the panel and secure with the screws. Use the inside set of mounting holes for the single motor system. Use the outside set of mounting holes for the dual motor system.



A. 4.2 x 8 mm screws (3) for motor support bracket  
B. 4.2 x 8 mm screws (2) for motor spring clip  
C. Motor support bracket  
D. Motor spring clip (single motor assembly location)  
E. Motor spring clip (dual motor assembly location)



4. Install the 6 mm nuts to the outside top or outside back (alternate location on some models) of the range hood at the proper location for the selected motor system.
  - Two 6 mm nuts are required for the single motor system. Clip nuts into the small square notches located at the left and right end of the square vent opening.
  - Five 6 mm nuts are required for the dual motor system. Clip nuts into the small square notches, one located in the front of the square vent opening and the other four located at the left and right ends of the square vent opening.



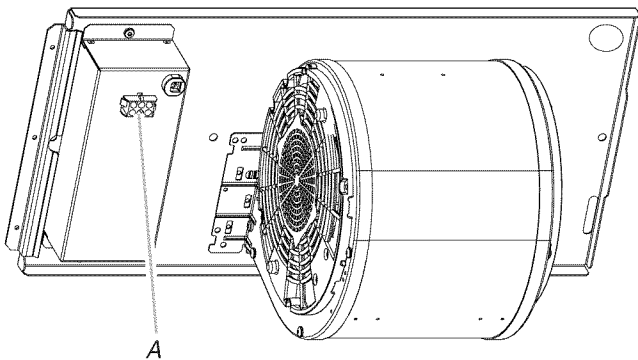
A. Clip nut locations for dual motor assembly (5)  
 B. Clip nut locations for single motor assembly (2)

5. Mount range hood. See the “Install Range Hood” section.

### Install Range Hood Internal Blower Motor

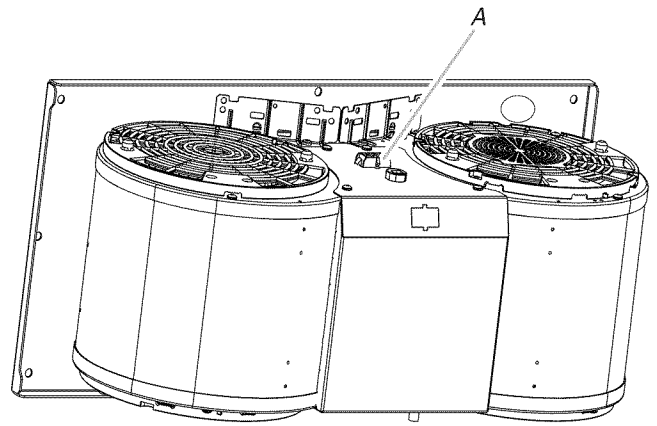
1. Install the range hood blower motor assembly inside the range hood canopy with the wiring connection to the left for the single motor system and to the front or top for the dual motor system.

### Single Blower Motor Assembly



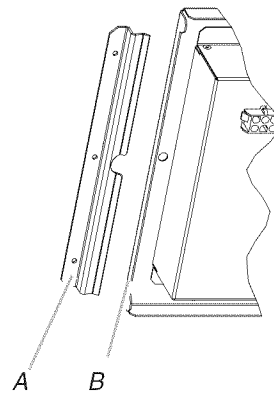
A. Wiring connection

### Dual Blower Motor Assembly



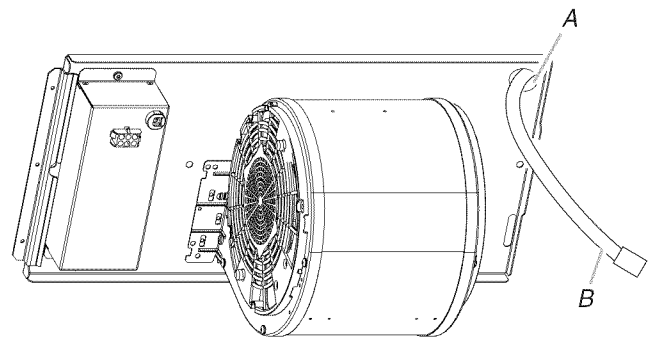
A. Wiring connection

2. Slide the left mounting plate flange under the motor mounting bracket.



A. Motor mounting bracket  
 B. Mounting plate left flange

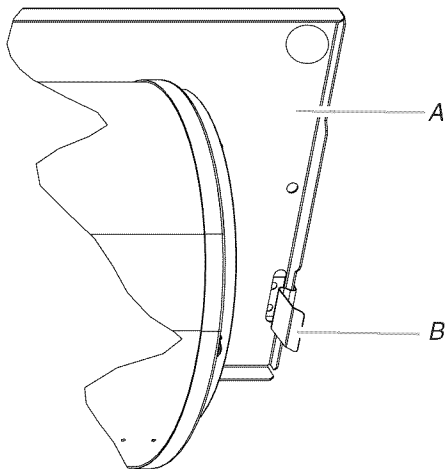
3. Run the power supply wires and connector from the range hood through the hole in the right end of the motor mounting plate.



A. Motor mounting plate hole  
 B. Power supply wires and connector

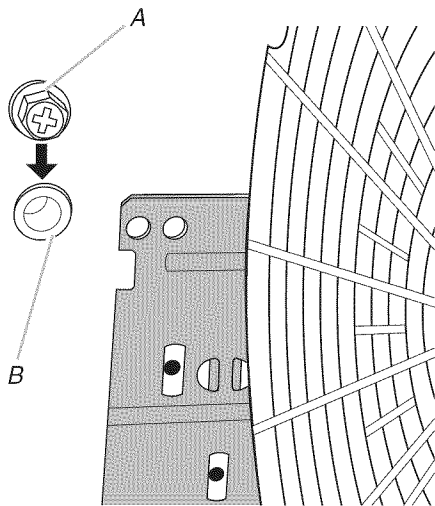
- Push the right end of the motor mounting plate up and snap it into the spring tab.

**NOTE:** The spring tab should be outside the slot in the mounting plate.



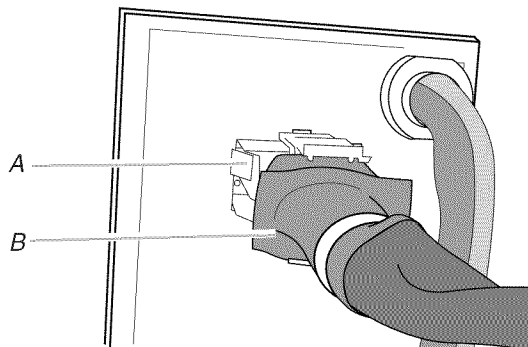
A. Motor mounting plate  
B. Spring clip

- Align mounting holes and install 6 x 16 mm screws and 6.4 mm lock washers.



A. Screw with lock washer  
B. Mounting hole

- Attach power supply connector from the range hood to the connector on the blower motor assembly wiring box.



A. Wiring box connector  
B. Power supply connector from range hood

- Go to the "Make Electric Power Supply Connection to Range Hood" section.

## Install Range Hood In-Line (External Type) Blower Motor

**NOTE:** Your range hood requires you to purchase either an internal type or an in-line (external type) blower motor system. See "Blower Motor System" in the "Accessories" section.

### Prepare for Mounting the In-Line Blower System

The in-line blower system must be fastened to a secure structure of the roof, ceiling, wall, floor, or new or existing frame construction. The 4 holes on either the inlet (bottom) side or the outlet (top) side of the blower must be used to mount the in-line blower system to the structure.

**NOTE:** The mounting hole locations must span the studs. Additional stud framing may be required. Plywood may be used to span open areas between ceiling joists or roof rafters to aid installation. This structure must be strong enough to support the weight of the in-line blower system (50 lb [22.6 kg] min).

### Prepare the In-line Blower System

## ⚠ WARNING

### Excessive Weight Hazard

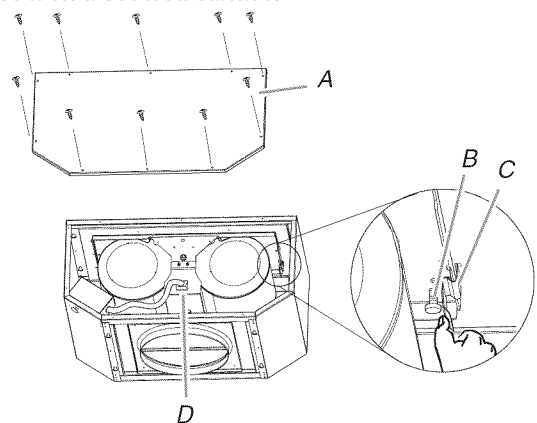
Use two or more people to move and install in-line blower motor system.

Failure to do so can result in back or other injury.

- Using 2 or more people, move the in-line blower motor system to the mounting location.
- Remove the 10 screws from the front cover of the in-line blower motor housing and set them aside.
- Remove the front cover of the in-line blower motor housing and set it aside.

**NOTE:** To make the blower motor housing easier to mount, the blower motor assembly can be removed. If you do not want to remove the blower motor assembly, proceed to "Install In-line Blower System" in this section.

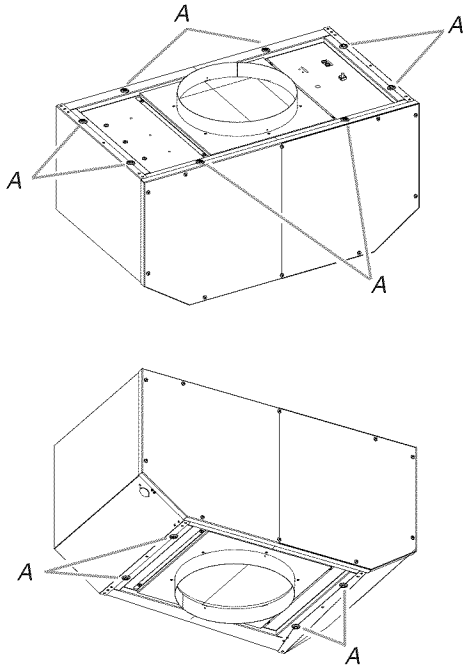
- Disconnect the motor electrical plug from the blower motor assembly.
- Remove the screws that secure the blower motor assembly to the in-line blower housing and set them aside.
- Pull the spring clip to release the blower motor assembly. Remove the blower motor assembly from the housing and place it on a covered surface.



A. Front cover  
B. Blower mounting screws  
C. Spring clip  
D. Motor electrical plug

## Install In-line Blower System

**NOTE:** The blower motor housing can be mounted using 4 holes from either the inlet side or the outlet side of the blower.

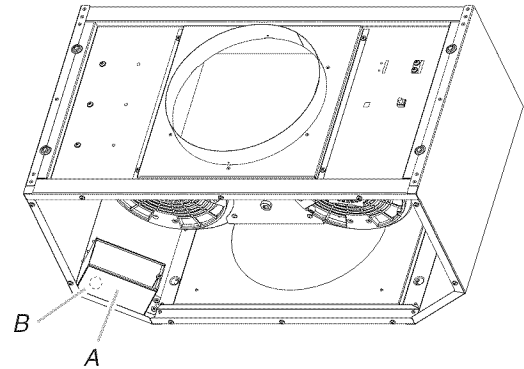


A. Mounting holes

1. Position the in-line blower motor housing in its mounting location and mark the 4 mounting hole locations.
2. Drill 4 mounting pilot holes using a  $\frac{3}{16}$ " (0.48 cm) drill bit.
3. Attach the in-line blower motor housing to the mounting location with four 6 x 80 mm mounting screws and washers.
4. If it is removed, reinstall the blower motor assembly and secure it with the screws previously removed.
5. If it is removed, reattach the motor electrical plug to the connector on the blower motor assembly.

## Complete Preparation

1. Determine and make all necessary cuts for the vent system.  
**IMPORTANT:** When cutting or drilling into the ceiling or wall, do not damage electrical wiring or other hidden utilities.
2. Determine the location where the  $\frac{1}{2}$ " (1.3 cm) wiring conduit will be routed through the ceiling or wall between the in-line blower and the range hood.
3. Drill a  $1\frac{1}{4}$ " (3.2 cm) hole at this location.
4. Locate the electrical terminal boxes in the in-line blower housing and range hood (see "Complete Preparation" in the "Prepare Location" section). Remove the terminal box covers and set the covers and screws aside.



A. Electrical terminal box  
B. Electrical knockout

5. Remove the electrical knockout from the in-line blower housing and range hood (see "Complete Preparation" in the "Prepare Location" section) to prepare for the installation of the UL listed or CSA approved  $\frac{1}{2}$ " (1.3 cm) wiring conduit and conduit connector.
6. With the range hood mounted (see the "Install Range Hood" section), run the  $\frac{1}{2}$ " (1.3 cm) wiring conduit between the in-line blower motor housing and the range hood. Pull enough  $\frac{1}{2}$ " (1.3 cm) wiring conduit to allow for easy connection to the terminal boxes in the in-line blower housing and range hood.
7. Run the six 18 AWG wires through the  $\frac{1}{2}$ " (1.3 cm) wiring conduit and conduit connectors and into the terminal boxes on the in-line blower housing and range hood. Leave enough wire length in each terminal box to make the wiring connections.
8. Install the conduit connectors and conduit to the in-line blower housing and range hood electrical terminal boxes.
9. Connect the vent system to the range hood and in-line blower system and seal all joints with clamps.

## Make Electrical Connections for In-Line Blower Motor System

### ⚠ WARNING



#### Electrical Shock Hazard

**Disconnect power before servicing.**  
**Replace all parts and panels before operating.**  
**Failure to do so can result in death or electrical shock.**

### ⚠ WARNING

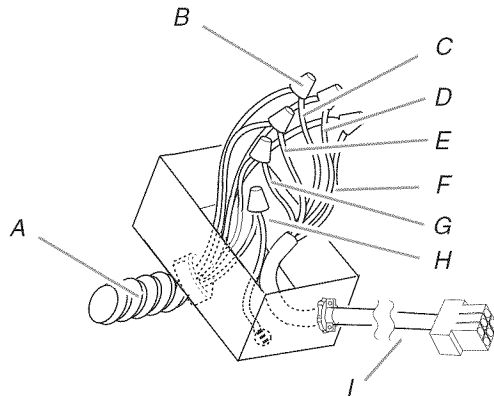


#### Electrical Shock Hazard

**Electrically ground blower.**  
**Connect ground wire to green and yellow ground wire in terminal box.**  
**Failure to do so can result in death or electrical shock.**

### Electrical Connection Inside In-line Blower System

1. Disconnect power.
2. Connect the wires from the wiring conduit to the wires from the motor electrical plug cable inside the in-line blower housing terminal box.



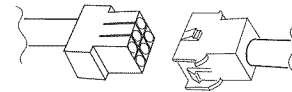
- |  |  |
|--|--|
| <p>A. UL listed or CSA approved 1/2" (1.3 cm) wiring conduit</p> <p>B. UL listed wire connectors</p> <p>C. Black wires</p> <p>D. White wires</p> <p>E. Red wires</p> | <p>F. Blue wires</p> <p>G. Gray wires</p> <p>H. Green (or yellow/green) and green/yellow wires</p> <p>I. Motor electrical plug cable</p> |
|--|--|

3. Use UL listed wire connectors and connect the black wires (C) together.
4. Use UL listed wire connectors and connect the white wires (D) together.
5. Use UL listed wire connectors and connect the red wires (E) together.
6. Use UL listed wire connectors and connect the blue wires (F) together.
7. Use UL listed wire connectors and connect the gray wires (G) together.

8. Connect the green (or yellow/green) ground wire to the green/yellow ground wire (H) in the terminal box using UL listed wire connectors.
9. Reinstall the in-line blower terminal box cover and screw.
10. Reinstall the front cover of the in-line blower housing and secure it with 10 mounting screws.

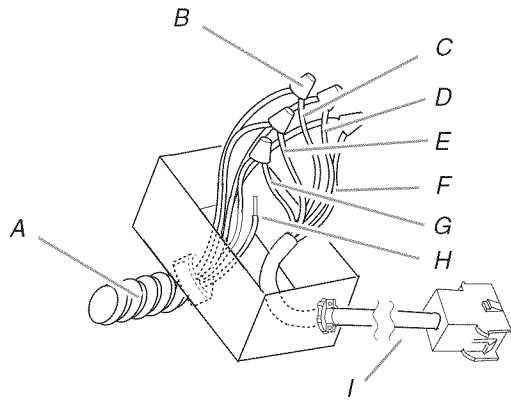
### Electrical Connection Inside Range Hood Between In-line Blower System and Range Hood

1. With the range hood mounted (see the "Install Range Hood" section), locate the wiring cable connector inside the range hood.
2. Connect the 6-wire connector assembly supplied with the in-line blower motor system to the mating cable connector from the range hood.

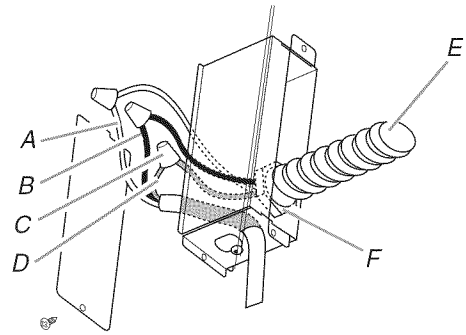


3. Locate the terminal box inside the range hood and install a 1/2" (1.3 cm) UL listed or CSA approved strain relief (see "Complete Preparation" in the "Prepare Location" section).
4. Run the wire ends from the 6-wire connector assembly through the 1/2" (1.3 cm) strain relief, leaving enough wire length to make the wiring connections. Tighten the strain relief screws.
5. Connect the wires from the 6-wire connector assembly to the wires from the wiring conduit inside the range hood terminal box.
6. Connect the same color wires to each other (black to black, white to white, etc.) using UL listed wire connectors.

**NOTE:** Connect the green (or green/yellow) ground wire from the wiring conduit to the green (or bare) ground wire from the home power supply using UL listed wire connectors (see the "Make Electrical Power Supply Connection to Range Hood" section).



- A. UL listed or CSA approved ½" (1.3 cm) wiring conduit
- B. UL listed wire connectors
- C. Black wires
- D. White wires
- E. Red wires
- F. Blue wires
- G. Gray wires
- H. Green (or green/yellow) wire
- I. 6-wire connector assembly



- A. White wires
- B. Black wires
- C. UL listed wire connectors
- D. Green, bare or yellow/green wires
- E. Home power supply
- F. UL listed or CSA approved ½" (1.3 cm) strain relief

3. Use UL listed wire connectors and connect black wires (B) together.
4. Use UL listed wire connectors and connect white wires (A) together.

7. Go to "Make Electrical Power Supply Connection to Range Hood" section.

## Make Electrical Power Supply Connection to Range Hood

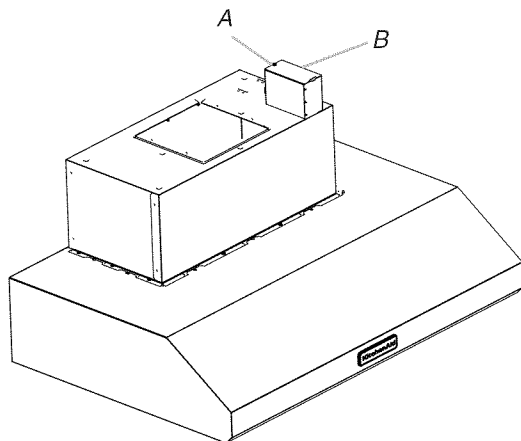
### ⚠ WARNING



#### Electrical Shock Hazard

- Disconnect power before servicing.**
- Replace all parts and panels before operating.**
- Failure to do so can result in death or electrical shock.**

1. Disconnect power.
2. Locate terminal box on top of the range hood.



A. Knockout in back of terminal box  
B. Top of terminal box

### ⚠ WARNING



#### Electrical Shock Hazard

**Electrically ground blower.**

**Connect ground wire to green and yellow ground wire in terminal box.**

**Failure to do so can result in death or electrical shock.**

**NOTE:** When using an In-line blower motor system, the green (or green/yellow) ground wire in the conduit from the In-line blower motor system is to be connected with the green (or bare) wire of the home power supply cable and with the green/yellow wire (D) in the terminal box.

5. Connect green (or bare) ground wire from home power supply to the green/yellow ground wire (D) in terminal box using UL listed wire connectors.
6. Install terminal box cover.
7. Check that all light bulbs are secure in their sockets.
8. Reconnect power.

---

## Install Chimney Covers

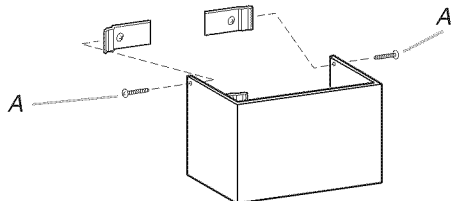
1. Install damper on top of the exhaust opening. Check that the damper opens freely.
2. Connect the vent system and seal all connections with clamps.

---

### Install Upper Chimney Cover

---

1. Slightly spread the sides of the cover apart and hook them behind the chimney mounting brackets.
2. Attach the cover to the brackets with 2 flat head screws.
3. Securely tighten screws.



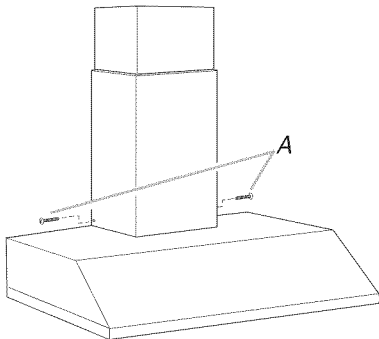
A. 2 flat head screws

---

### Install Lower Chimney Cover

---

1. Slightly spread the sides of the cover apart and hook them behind the upper chimney.
2. From inside the range hood, use the 4 Phillips washer head screws to attach the lower chimney cover to the canopy of the range hood.
3. Securely tighten screws.

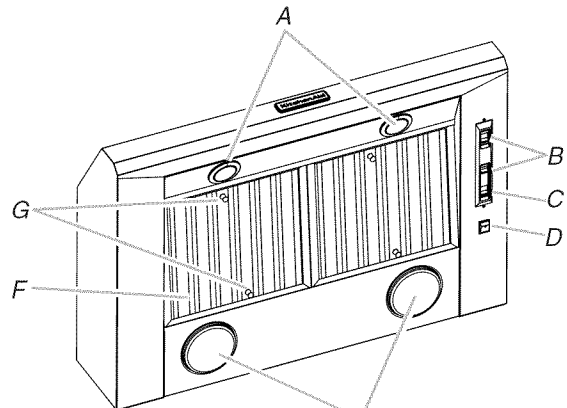


A. 4 washer head screws

---

## Complete Installation and Check Operation

1. Install grease filters. See "Range Hood Care" section.
2. Check operation of the range hood blower and lights. See "Range Hood Use" section.



- A. Halogen lights  
B. Blower control switches  
C. Halogen light switch  
D. Heat lamp switch  
E. Heat lamps  
F. Grease filter  
G. Grease filter handles

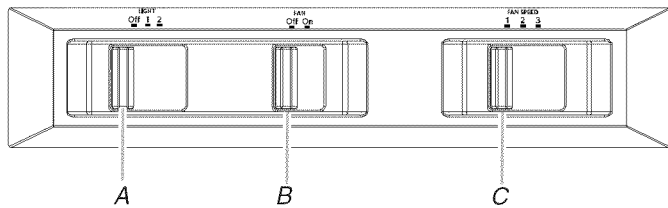
3. If range hood does not operate, check to see whether a circuit breaker has tripped or a household fuse has blown. Disconnect power supply and check that the wiring is correct.

**NOTE:** To get the most efficient use from your new range hood, read the "Range Hood Use" section.

# RANGE HOOD USE

The range hood is designed to remove smoke, cooking vapors and odors from the cooktop area. For best results, start the range hood before cooking and allow it to operate several minutes after the cooking is complete to clear all smoke and odors from the kitchen.

The range hood controls are located on the underside of the range hood.



A. Light control  
B. Blower control  
C. Fan speed control

## Range Hood Controls

### Operating the light

1. Move the light switch to the “1” position to turn range hood light to night light setting.
2. Move the light switch to the “2” position to turn range hood light to full light setting.
3. Move the light switch to the “Off” position to turn range hood light OFF.

### Operating the fan

1. Move the fan switch to the “On” position to turn the fan ON. The fan will begin operating at the speed set on the fan speed switch.
2. Move the fan switch to the “Off” position to turn the fan OFF.

### Auto On Fan

The range hood is equipped with a sensor to automatically turn on the fan when excessive heat is detected in the control area. When the fan switch is in the “Off” position, this sensor will turn the fan to high speed when necessary. When the heat decreases, the fan will turn off.

When the fan switch is in the “On” position, the heat sensor is not active and the range hood functions normally.

### Adjusting the fan

The fan has 3 speed controls. Move the fan speed switch to “1” position for low speed, “2” position for medium speed, or “3” position for high speed.

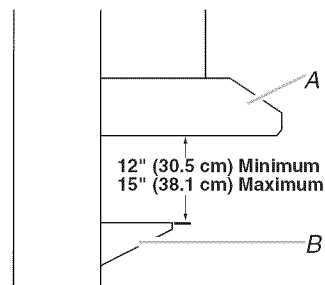
### Thermal Protector

The range hood is equipped with a thermal protector to avoid overheating conditions. If the range hood shuts off while in use, move fan slider switch to Off to turn off the range hood. Wait approximately 60 minutes, then move slider to On to restart the range hood.

### Operating the heat lamp

The heat lamps are designed to keep food warm prior to serving. The cooktop surface is too far away from the heat lamp to be used as a shelf.

For best results, install a metal shelf to hold the food closer to the lamps. The optimum distance between the shelf and the range hood is 12" (30.5 cm) to 15" (38.1 cm).



A. Range hood  
B. Metal shelf

For best performance, food should be placed directly under the heat lamps, not between them. You may need to adjust your food placement to match your needs.

1. Install heat lamp bulbs into heat lamp sockets.

**NOTE:** Heat lamp bulbs should be rated to a maximum of 175 watts each. For best performance, 175 watt maximum, PAR38 type, red heat lamp bulbs are recommended. Bulb performance varies. Lower wattage and clear bulbs decrease the performance.

## **⚠ WARNING**

### **Food Poisoning Hazard**

**Do not let food sit for more than one hour before or after cooking.**

**Doing so can result in food poisoning or sickness.**

2. To turn on the heat lamps, move the switch to the “I” position. To turn off the heat lamps, move the switch to the “O” position.

---

# RANGE HOOD CARE

---

## Cleaning

**IMPORTANT:** Clean the range hood and grease filters frequently according to the following instructions. Replace grease filters before operating range hood.

### Exterior Surfaces:

To avoid damage to the exterior surface, do not use steel wool or soap-filled scouring pads.

Always wipe dry to avoid water marks.

### Cleaning Method:

- Liquid detergent soap and water, or all-purpose cleanser
- Wipe with damp soft cloth or nonabrasive sponge, then rinse with clean water and wipe dry.

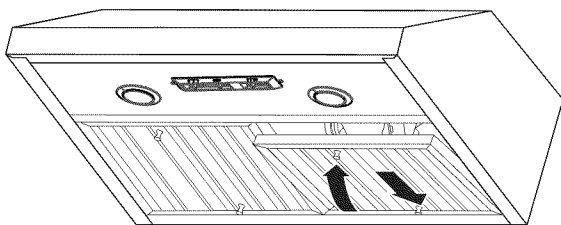
---

### Metal Grease Filter

---

#### To Remove Metal Grease Filters:

1. Use 2 hands to remove the metal grease filters. Grasp filter handles, push toward the rear of the range hood and pull down on the front handle to remove.



2. Repeat for each grease filter.
3. Wash metal grease filters as needed in a dishwasher or hand wash in a hot detergent solution to clean.

#### To Reinstall Metal Grease Filters:

1. Grasp filter handles and place rear of filter into rear track.
2. Push down on the rear handle and set the front of the grease filter into the front track to secure.
3. Repeat for each filter.

---

### Replacing a Heat Lamp

---

This range hood uses two 175 watt maximum heat lamps.

Turn off the heat lamps and allow them to cool.

#### To Replace:

1. Disconnect power.
2. Remove the heat lamp bulb from its socket.
3. Replace the heat lamp bulb with the same type bulb and tighten it in its socket.
4. Repeat steps 2 and 3 with the other heat lamp bulb if necessary.
5. Reconnect the power.

---

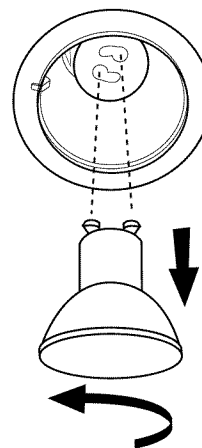
### Replacing a Halogen Lamp

---

Turn off the range hood and allow the halogen lamp to cool. To avoid damage or decreasing the life of the new bulb, do not touch bulb with bare fingers. Replace bulb, using tissue or wearing cotton gloves to handle bulb.

If new lamps do not operate, make sure the lamps are inserted correctly before calling service.

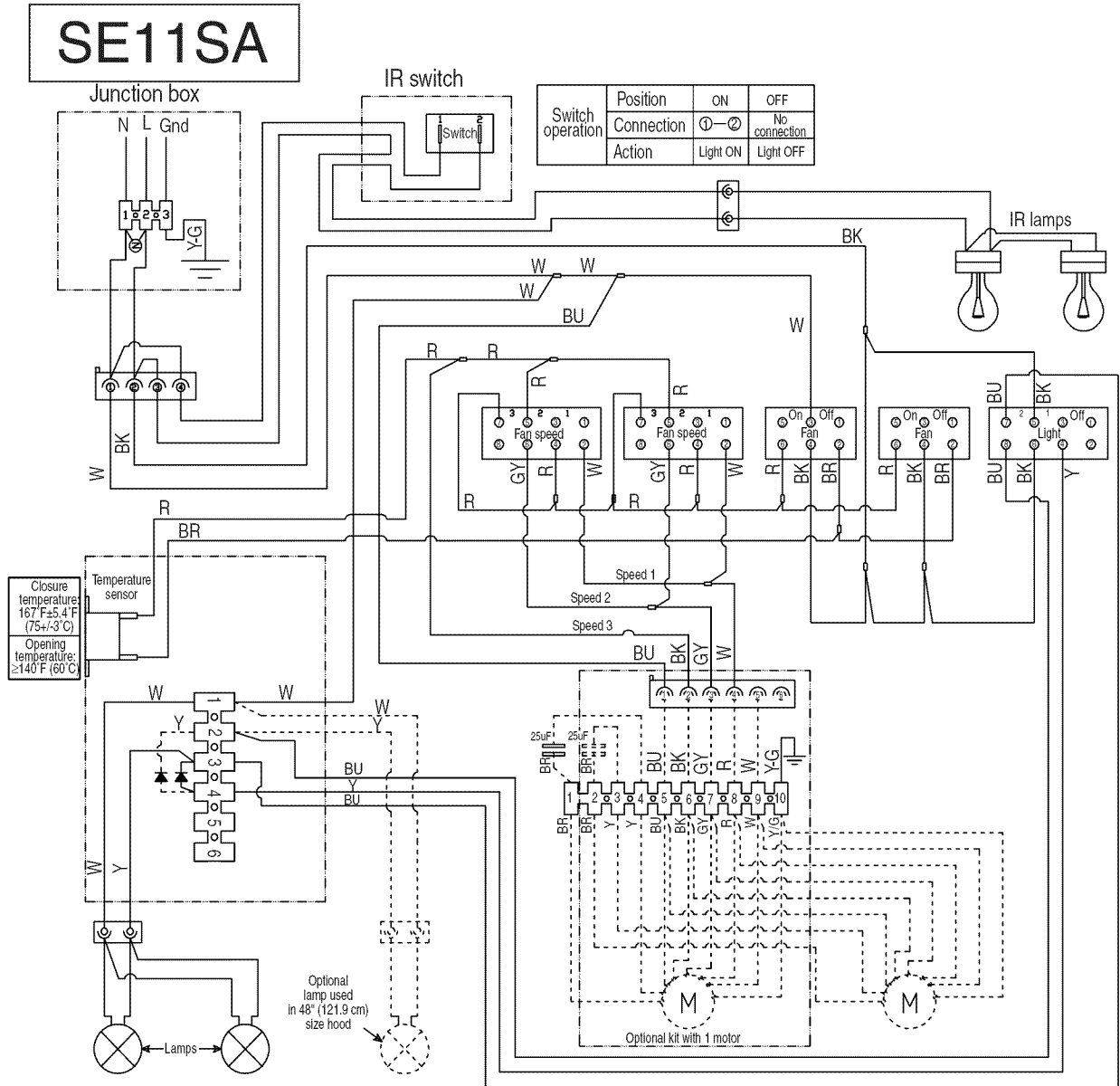
1. Disconnect power.
2. Push up on the lens and turn it counterclockwise.



3. Remove the bulb and replace it with a 120-volt, 50-watt maximum halogen bulb with a GU10 base. Turn it clockwise to lock it into place.
4. Repeat steps 2-3 for the other bulb if needed.
5. Reconnect power.



# WIRING DIAGRAM



Motor Resistance (Ohms)			Motor Characteristics	
Blue-Red: 18	Blue-White: 21.6 (min.)	Blue-Black: 9.8 (max)	Power supply: 120 VAC	Power absorption: 420 W
Blue-Gray: 14.3	Room Temp: 73.4°F (23°C)		Frequency: 60 Hz	Current: 3.7A

Switch operation with button "1-2-3"				Switch operation with button "ON-OFF"			Switch operation with button "Light"			
Position	1	2	3	Position	ON	OFF	Position	OFF	1	2
Connection	④—②	④—⑥	⑤—⑦	Connection	④—⑥	④—②	Connection	④—②	④—⑥	⑤—⑦ ⑥—⑧
Action	Speed 1	Speed 2	Speed 3	Action	Motor ON	Motor OFF	Action	Lights Off	Low Intensity	High Intensity

---

# ASSISTANCE OR SERVICE

---

When calling for assistance or service, please know the purchase date and the complete model and serial number of your appliance. This information will help us to better respond to your request.

## If you need replacement parts

If you need to order replacement parts, we recommend that you use only factory specified parts. Factory specified parts will fit right and work right because they are made with the same precision used to build every new appliance. To locate factory specified replacement parts in your area, call us or your nearest designated service center.

---

## In the U.S.A.

Call the KitchenAid Customer eXperience Center toll free: **1-800-422-1230**.

### Our consultants provide assistance with:

- Features and specifications on our full line of appliances.
- Installation information.
- Use and maintenance procedures.
- Accessory and repair parts sales.
- Specialized customer assistance (Spanish speaking, hearing impaired, limited vision, etc.).
- Referrals to local dealers, repair parts distributors and service companies. KitchenAid designated service technicians are trained to fulfill the product warranty and provide after-warranty service, anywhere in the United States.

To locate the KitchenAid designated service company in your area, you can also look in your telephone directory Yellow Pages.

### For further assistance

If you need further assistance, you can write to KitchenAid with any questions or concerns at:

KitchenAid Brand Home Appliances  
Customer eXperience Center  
553 Benson Road  
Benton Harbor, MI 49022-2692

Please include a daytime phone number in your correspondence.

---

## In Canada

Call the KitchenAid Canada Customer eXperience Centre toll free: **1-800-807-6777**.

### Our consultants provide assistance with:

- Features and specifications on our full line of appliances.
- Use and maintenance procedures.
- Accessory and repair parts sales.
- Referrals to local dealers, repair parts distributors and service companies. KitchenAid Canada designated service technicians are trained to fulfill the product warranty and provide after-warranty service, anywhere in Canada.

### For further assistance

If you need further assistance, you can write to KitchenAid Canada with any questions or concerns at:

Customer eXperience Centre  
KitchenAid Canada  
200 - 6750 Century Ave.  
Mississauga, Ontario L5N 0B7

Please include a daytime phone number in your correspondence.

---

## Accessories

### Chimney Extension Kit

Order Part Number W10352733 Stainless Steel

### Blower Motor Systems (1 system is required)

600 CFM Internal Blower Motor System - Order Model Number UXB0600DYS

1200 CFM Internal Blower Motor System - Order Model Number UXB1200DYS

600 CFM In-Line Blower Motor System - Order Model Number UXI0600DYS

1200 CFM In-Line Blower Motor System - Order Model Number UXI1200DYS

### Backsplash Kit (for use without Heat Lamp)

Order Part Number W10352735 for 36" (91.4 cm) model

Order Part Number W10352736 for 48" (121.9 cm) model

### Backsplash Kit (for use with Heat Lamp)

Order Part Number W10225949 for 36" (91.4 cm) model

Order Part Number W10225948 for 48" (121.9 cm) model

---

# KITCHENAID® VENTILATION WARRANTY

---

## LIMITED WARRANTY

For one year from the date of purchase, when this major appliance is operated and maintained according to instructions attached to or furnished with the product, KitchenAid brand of Whirlpool Corporation or Whirlpool Canada LP (hereafter "KitchenAid") will pay for Factory Specified Parts and repair labor to correct defects in materials or workmanship. Service must be provided by a KitchenAid designated service company. This limited warranty is valid only in the United States or Canada and applies only when the major appliance is used in the country in which it was purchased. Outside the 50 United States and Canada, this limited warranty does not apply. Proof of original purchase date is required to obtain service under this limited warranty.

---

## ITEMS EXCLUDED FROM WARRANTY

### This limited warranty does not cover:

1. Service calls to correct the installation of your major appliance, to instruct you on how to use your major appliance, to replace or repair house fuses, or to correct house wiring or plumbing.
2. Service calls to repair or replace appliance light bulbs, air filters or water filters. Consumable parts are excluded from warranty coverage.
3. Repairs when your major appliance is used for other than normal, single-family household use or when it is used in a manner that is contrary to published user or operator instructions and/or installation instructions.
4. Damage resulting from accident, alteration, misuse, abuse, fire, flood, acts of God, improper installation, installation not in accordance with electrical or plumbing codes, or use of consumables or cleaning products not approved by KitchenAid.
5. Cosmetic damage, including scratches, dents, chips or other damage to the finish of your major appliance, unless such damage results from defects in materials or workmanship and is reported to KitchenAid within 30 days from the date of purchase.
6. Costs associated with the removal from your home of your major appliance for repairs. This major appliance is designed to be repaired in the home and only in-home service is covered by this warranty.
7. Repairs to parts or systems resulting from unauthorized modifications made to the appliance.
8. Expenses for travel and transportation for product service if your major appliance is located in a remote area where service by an authorized KitchenAid servicer is not available.
9. The removal and reinstallation of your major appliance if it is installed in an inaccessible location or is not installed in accordance with published installation instructions.
10. Major appliances with original model/serial numbers that have been removed, altered or cannot be easily determined. This warranty is void if the factory applied serial number has been altered or removed from your major appliance.

The cost of repair or replacement under these excluded circumstances shall be borne by the customer.

---

## DISCLAIMER OF IMPLIED WARRANTIES; LIMITATION OF REMEDIES

CUSTOMER'S SOLE AND EXCLUSIVE REMEDY UNDER THIS LIMITED WARRANTY SHALL BE PRODUCT REPAIR AS PROVIDED HEREIN. IMPLIED WARRANTIES, INCLUDING WARRANTIES OF MERCHANTABILITY OR FITNESS FOR A PARTICULAR PURPOSE, ARE LIMITED TO ONE YEAR OR THE SHORTEST PERIOD ALLOWED BY LAW. KITCHENAID SHALL NOT BE LIABLE FOR INCIDENTAL OR CONSEQUENTIAL DAMAGES. SOME STATES AND PROVINCES DO NOT ALLOW THE EXCLUSION OR LIMITATION OF INCIDENTAL OR CONSEQUENTIAL DAMAGES, OR LIMITATIONS ON THE DURATION OF IMPLIED WARRANTIES OF MERCHANTABILITY OR FITNESS, SO THESE EXCLUSIONS OR LIMITATIONS MAY NOT APPLY TO YOU. THIS WARRANTY GIVES YOU SPECIFIC LEGAL RIGHTS, AND YOU MAY ALSO HAVE OTHER RIGHTS WHICH VARY FROM STATE TO STATE OR PROVINCE TO PROVINCE.

---

If outside the 50 United States and Canada, contact your authorized KitchenAid dealer to determine if another warranty applies.

If you need service, first see the "Troubleshooting" section of the Use & Care Guide. After checking "Troubleshooting," you may find additional help by checking the "Assistance or Service" section or by calling KitchenAid. In the U.S.A., call **1-800-422-1230**. In Canada, call **1-800-807-6777**.

9/07

**Keep this book and your sales slip together for future reference. You must provide proof of purchase or installation date for in-warranty service.**

Write down the following information about your major appliance to better help you obtain assistance or service if you ever need it. You will need to know your complete model number and serial number. You can find this information on the model and serial number label located on the product.

Dealer name \_\_\_\_\_  
Address \_\_\_\_\_  
Phone number \_\_\_\_\_  
Model number \_\_\_\_\_  
Serial number \_\_\_\_\_  
Purchase date \_\_\_\_\_

---

## Notes

# SÉCURITÉ DE LA HOTTE DE CUISINIÈRE

## **Votre sécurité et celle des autres est très importante.**

Nous donnons de nombreux messages de sécurité importants dans ce manuel et sur votre appareil ménager. Assurez-vous de toujours lire tous les messages de sécurité et de vous y conformer.



Voici le symbole d'alerte de sécurité.

Ce symbole d'alerte de sécurité vous signale les dangers potentiels de décès et de blessures graves à vous et à d'autres.

Tous les messages de sécurité suivront le symbole d'alerte de sécurité et le mot "DANGER" ou "AVERTISSEMENT". Ces mots signifient :

**⚠ DANGER**

**Risque possible de décès ou de blessure grave si vous ne suivez pas immédiatement les instructions.**

**⚠ AVERTISSEMENT**

**Risque possible de décès ou de blessure grave si vous ne suivez pas les instructions.**

Tous les messages de sécurité vous diront quel est le danger potentiel et vous disent comment réduire le risque de blessure et ce qui peut se produire en cas de non-respect des instructions.

# IMPORTANTES INSTRUCTIONS DE SÉCURITÉ

**AVERTISSEMENT : POUR RÉDUIRE LE RISQUE D'INCENDIE, CHOC ÉLECTRIQUE OU DOMMAGES CORPORELS, RESPECTER LES INSTRUCTIONS SUIVANTES :**

- Utiliser cet appareil uniquement dans les applications envisagées par le fabricant. Pour toute question, contacter le fabricant.
- Avant d'entreprendre un travail d'entretien ou de nettoyage, interrompre l'alimentation de la hotte au niveau du tableau de disjoncteurs, et verrouiller le tableau de disjoncteurs pour empêcher tout rétablissement accidentel de l'alimentation du circuit. Lorsqu'il n'est pas possible de verrouiller le tableau de disjoncteurs, placer sur le tableau de disjoncteurs une étiquette d'avertissement proéminente interdisant le rétablissement de l'alimentation.
- Tout travail d'installation ou câblage électrique doit être réalisé par une personne qualifiée, dans le respect des prescriptions de tous les codes et normes applicables, y compris les codes du bâtiment et de protection contre les incendies.
- Ne pas faire fonctionner un ventilateur dont le cordon ou la fiche est endommagé(e). Jeter le ventilateur ou le retourner à un centre de service agréé pour examen et/ou réparation.
- Une source d'air de débit suffisant est nécessaire pour le fonctionnement correct de tout appareil à gaz (combustion et évacuation des gaz à combustion par la cheminée), pour qu'il n'y ait pas de reflux des gaz de combustion. Respecter les directives du fabricant de l'équipement de chauffage et les prescriptions des normes de sécurité - comme celles publiées par la National Fire Protection Association (NFPA) et l'American Society for Heating, Refrigeration and Air Conditioning Engineers (ASHRAE), et les prescriptions des autorités réglementaires locales.
- Lors d'opérations de découpage et de perçage dans un mur ou un plafond, veiller à ne pas endommager les câblages électriques ou canalisations qui peuvent s'y trouver.
- Les ventilateurs d'évacuation doivent toujours décharger l'air à l'extérieur.

**MISE EN GARDE :** Cet appareil est conçu uniquement pour la ventilation générale. Ne pas l'utiliser pour l'extraction de matières ou vapeurs dangereuses ou explosives.

**MISE EN GARDE :** Pour minimiser le risque d'incendie et évacuer adéquatement les gaz, veiller à acheminer l'air aspiré par un conduit jusqu'à l'extérieur - ne pas décharger l'air aspiré dans un espace vide du bâtiment comme une cavité murale, un plafond, un grenier, un vide sanitaire ou un garage.

**AVERTISSEMENT : POUR RÉDUIRE LE RISQUE D'INCENDIE, UTILISER UNIQUEMENT DES CONDUITS MÉTALLIQUES.**

**AVERTISSEMENT : POUR MINIMISER LE RISQUE D'UN FEU DE GRAISSE SUR LA CUISINIÈRE :**

- Ne jamais laisser un élément de surface fonctionner à puissance de chauffage maximale sans surveillance. Un renversement/débordement de matière grasseuse pourrait provoquer une inflammation et la génération de fumée. Utiliser une puissance de chauffage moyenne ou basse pour le chauffage d'huile.
- Veiller à toujours faire fonctionner le ventilateur de la hotte lors de la cuisson avec une puissance de chauffage élevée ou lors de la cuisson d'un mets à flamber (à savoir crêpes Suzette, cerise jubilé, steak au poivre flambé).
- Nettoyer fréquemment les ventilateurs d'extraction. Veiller à ne pas laisser la graisse s'accumuler sur les surfaces du ventilateur ou des filtres.
- Utiliser toujours un ustensile de taille appropriée. Utiliser toujours un ustensile adapté à la taille de l'élément chauffant.

**AVERTISSEMENT : POUR RÉDUIRE LE RISQUE DE DOMMAGES CORPORELS APRÈS LE DÉCLENCHEMENT D'UN FEU DE GRAISSE SUR LA CUISINIÈRE, APPLIQUER LES RECOMMANDATIONS SUIVANTES :<sup>a</sup>**

- Placer sur le récipient un couvercle bien ajusté, une tôle à biscuits ou un plateau métallique **POUR ÉTOUFFER LES FLAMMES**, puis éteindre le brûleur. **VEILLER À ÉVITER LES BRÛLURES**. Si les flammes ne s'éteignent pas immédiatement, **ÉVACUER LA PIÈCE ET APPELER LES POMPIERS**.
- **NE JAMAIS PRENDRE EN MAIN UN RÉCIPENT ENFLAMMÉ** - vous risquez de vous brûler.
- **NE PAS UTILISER D'EAU**, ni un torchon humide - ceci pourrait provoquer une explosion de vapeur brûlante.
- Utiliser un extincteur **SEULEMENT** si :
  - Il s'agit d'un extincteur de classe ABC, dont on connaît le fonctionnement.
  - Il s'agit d'un petit feu encore limité à l'endroit où il s'est déclaré.
  - Les pompiers ont été contactés.
  - Il est possible de garder le dos orienté vers une sortie pendant l'opération de lutte contre le feu.

<sup>a</sup>Recommandations tirées des conseils de sécurité en cas d'incendie de cuisine publiés par la NFPA.

- **AVERTISSEMENT :** Pour réduire le risque d'incendie ou de choc électrique, ne pas utiliser ce ventilateur avec un quelconque dispositif de réglage de la vitesse à semi-conducteurs.

## LIRE ET CONSERVER CES INSTRUCTIONS

# EXIGENCES D'INSTALLATION

## Outils et pièces

Rassembler les outils et pièces nécessaires avant d'entreprendre l'installation. Lire et observer les instructions fournies avec chacun des outils de la liste ci-dessous.

### Outils nécessaires

- Niveau
- Perceuse
- Foret de 1¼" (3 cm)
- Foret de ⅜" (2,4 mm) en cas d'installation dans du bois
- Crayon
- Pince à dénuder ou couteau utilitaire
- Mètre-ruban ou règle
- Pince
- Pistolet à calfeutrage et composé de calfeutrage résistant aux intempéries
- Brides de conduit
- Scie sauteuse ou scie à guichet
- Tournevis à lame plate
- Cisaille de ferblantier
- Tournevis Phillips
- Ciseaux

### Pièces nécessaires

- Câble d'alimentation électrique du domicile
- 1 serre-câble de ½" (12,7 mm) (homologation UL ou CSA)
- 3 connecteurs de fils homologués UL
- 1 bouche de décharge (décharge à travers le mur ou à travers le toit)
- Circuit d'évacuation métallique
- 2 ampoules de lampes à rayons infrarouges de 175 watts maximum
- Système du moteur du ventilateur – interne ou externe (voir "Système du moteur du ventilateur" dans la section "Accessoires".)

### Pièces fournies

Retirer les pièces de leur emballage. Vérifier que toutes les pièces sont présentes.

- 2 filtres à graisse métalliques, pour modèle de 36" (91,4 cm)
- 3 filtres à graisse métalliques, pour modèles de 48" (121,9 cm)
- Clapet
- 2 brides de support pour cache-conduit
- 2 vis de montage de 10 x 50 mm
- 2 vis de montage de 8 x 40 mm
- 2 rondelles D5.3 x 20 mm
- 4 vis de 5 x 45 mm
- 6 vis de 4,2 x 8 mm
- Adaptateur TORX®†T-20

## Exigences d'emplacement

**IMPORTANT :** Observer les dispositions de tous les codes et règlements en vigueur.

Confier l'installation de la hotte à un technicien qualifié. C'est à l'installateur qu'incombe la responsabilité de respecter les distances de séparation spécifiées sur la plaque signalétique de l'appareil. La plaque signalétique est située à l'intérieur de la hotte, sur la paroi arrière.

On doit toujours installer la hotte à distance des sources de courant d'air (fenêtres, portes et bouches de chauffage).

Respecter les dimensions indiquées pour les ouvertures à découper dans les placards; ces dimensions tiennent compte des valeurs minimales des dégagements de séparation.

La hotte est configurée à l'usine pour la décharge à travers le toit ou un mur.

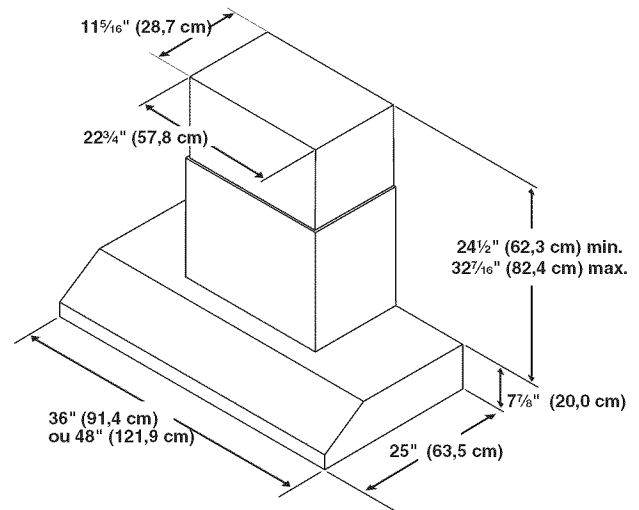
Assurer l'étanchéité au niveau de chaque ouverture découpée dans le plafond ou le mur pour l'installation de la hotte de cuisinière.

### Installation dans une résidence mobile

L'installation de cette hotte doit satisfaire aux exigences de la norme Manufactured Home Construction Safety Standards, Titre 24 CFR, partie 328 (anciennement Federal Standard for Mobile Home Construction and Safety, titre 24, HUD, partie 280); lorsque cette norme n'est pas applicable, l'installation doit satisfaire aux critères de la plus récente édition de la norme Manufactured Home Installation 1982 (Manufactured Home Sites, Communities and Setups) ANSI A225.1/NFPA 501A\*, ou des codes et règlements locaux.

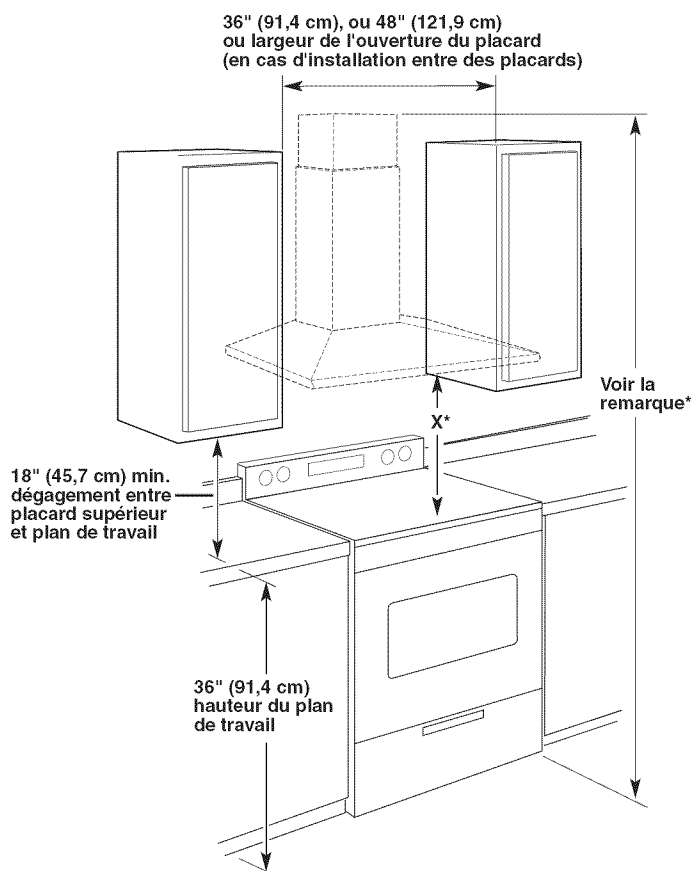
## Dimensions du produit

### Installations avec décharge à l'extérieur



†®TORX est une marque déposée de Saturn Fasteners, Inc.

## Dimensions à respecter lors de l'installation



**\*REMARQUE :** La cheminée de la hotte est réglable; on peut l'ajuster en fonction de la hauteur disponible sous plafond ou soffite, et selon la distance "X" entre le bas de la hotte et la surface de cuisson. Pour des hauteurs sous plafond plus élevées, un ensemble d'extension de cheminée pièce n° W10352733 est disponible chez votre marchand ou chez un distributeur de pièces autorisé. L'extension de cheminée remplace la section supérieure de cheminée fournie avec la hotte.

### IMPORTANT :

Valeur minimale de la distance "X" : 24" (61 cm) à partir de la surface de cuisson électrique

Valeur minimale de la distance "X" : 30" (76,2 cm) à partir de la surface de cuisson au gaz

On peut ajuster la cheminée pour une hauteur sous plafond entre 8' 2<sup>3</sup>/<sub>8</sub>" (2,5 m) et 8' 10<sup>5</sup>/<sub>16</sub>" (2,7 m) lors d'une installation à 30" (76,2 cm) au-dessus d'une surface de cuisson au gaz.

On peut ajuster la cheminée pour une hauteur sous plafond entre 7' 8<sup>3</sup>/<sub>8</sub>" (2,4 m) et 8' 4<sup>5</sup>/<sub>16</sub>" (2,55 m) lors d'une installation à 24" (61 cm) au-dessus d'une surface de cuisson électrique.

## Exigences concernant l'évacuation

- Le système d'évacuation doit décharger l'air à l'extérieur.
- Ne pas terminer le système d'évacuation dans un grenier ou dans un autre espace fermé.
- Ne pas utiliser une bouche de décharge murale de 4" (10,2 cm) normalement utilisée pour un équipement de buanderie.
- Utiliser un conduit d'évacuation métallique uniquement. Un conduit en métal rigide est recommandé. L'emploi d'un conduit de plastique ou en aluminium n'est pas recommandé.
- La longueur du système d'évacuation et le nombre de coudes doit être réduit au minimum pour fournir la meilleure performance.

### Pour un fonctionnement efficace et silencieux :

- Ne pas utiliser plus de trois coudes à 90°.
- Veiller à ce qu'il y ait une section droite de conduit de 24" (61,0 cm) ou plus entre deux coudes, si on doit utiliser plus d'un coude.
- Ne pas installer 2 coudes ensemble.
- Au niveau de chaque jointure du système d'évacuation, assurer l'étanchéité avec les brides de serrage pour conduit.
- Le système d'évacuation doit comporter un clapet. Si la bouche de décharge murale ou par le toit comporte un clapet, ne pas utiliser le clapet fourni avec la hotte de cuisinière.
- Autour de la bouche de décharge à l'extérieur (par le mur ou par le toit), assurer l'étanchéité avec un produit de calfeutrage.
- La taille du conduit doit être uniforme.

### Installations pour régions à climat froid

On doit installer un clapet anti-reflux additionnel à l'arrière pour minimiser le reflux d'air froid, et incorporer un élément d'isolation thermique pour minimiser la conduction de chaleur par l'intermédiaire du système d'évacuation. Le clapet anti-reflux doit être placé du côté air froid par rapport à l'élément d'isolation thermique.

L'élément d'isolation thermique doit être aussi proche que possible de l'endroit où le système d'évacuation s'introduit dans la partie chauffée de la maison.

### Air d'appoint

Les codes de bâtiment locaux peuvent exiger l'emploi d'un système d'appoint d'air lors de l'emploi d'un ventilateur d'extraction dont la capacité d'aspiration est supérieure à un débit (pieds cubes par minute) spécifié. Le débit spécifié, en pieds cubes par minute, est variable d'une juridiction à une autre. Consulter un professionnel des installations de chauffage/ventilation/climatisation au sujet des exigences spécifiques applicables dans la juridiction locale.



## Méthodes d'évacuation

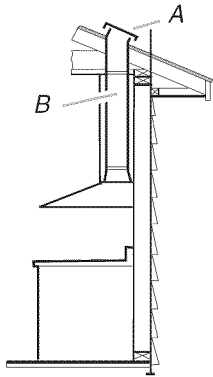
### Installations typiques avec système du moteur du ventilateur interne

Un circuit d'évacuation de conduits ronds de 10" (25,4 cm) est nécessaire pour l'installation (non fourni). La hotte comporte une ouverture de sortie de diamètre 10" (25,4 cm).

**REMARQUE :** On déconseille l'emploi d'un conduit flexible. Un conduit flexible peut causer une rétro-pression et des turbulences de l'air, ce qui réduit considérablement la performance.

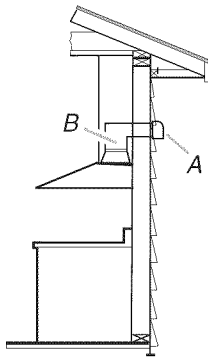
La sortie à l'extérieur du circuit d'évacuation peut se faire à travers le toit ou à travers un mur. Pour la sortie à travers un mur, l'utilisation d'un coude de 90° est nécessaire.

#### Décharge à travers le toit



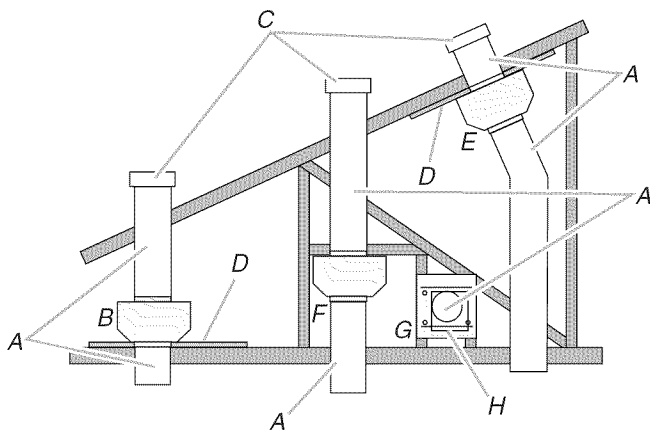
A. Bouche de décharge sur toit  
B. Conduit rond 10" (25,4 cm)

#### Décharge à travers le mur



A. Bouche de décharge murale  
B. Conduit rond 10" (25,4 cm)

### Installations typiques avec système du moteur du ventilateur en ligne



A. Conduit rond de 10" (25,4 cm)  
B. Fixation au dessus des solives de plafond  
C. Bouches de décharge par le toit  
D. Contreplaqué (facultatif sur certaines installations)  
E. Fixation sur le dessous des chevrons du toit  
F. Fixation des traverses de cadre de châssis aux fermes  
G. Conduit horizontal; fixation des traverses de cadre de châssis aux fermes  
H. Bouche de décharge murale

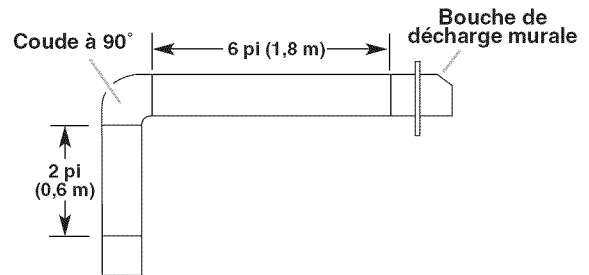
## Calcul de la longueur effective du circuit d'évacuation

Pour calculer la longueur effective du circuit d'évacuation nécessaire, additionner les longueurs équivalentes (pieds/mètres) de tous les composants utilisés dans le système.

Composant	Longueur équivalente	
Coude à 45°	2,5 pi (0,8 m)	
Coude à 90°	5 pi (1,5 m)	

Les longueurs équivalentes maximales sont :  
Conduits ronds de 10" (25,4 cm) - 60 pi (18,3 m)

### Exemple de système de décharge



L'exemple suivant indique la longueur de conduit recommandée maximum.

1 coude à 90°	= 5 pi (1,5 m)
1 bouche de décharge murale	= 0 pi (0 m)
Section droite de 8 pi (2,4 m)	= 8 pi (2,4 m)
Longueur du système	= 13 pi (3,9 m)

## Spécifications électriques

Observer les dispositions de tous les codes et règlements en vigueur.

Vérifier que l'installation électrique a été correctement effectuée et qu'elle est conforme aux spécifications de la plus récente édition des normes National Electrical Code, ANSI/NFPA 70, ou de la norme CSA C22.1-94, Code canadien de l'électricité, partie 1 et C22.2 N° 0-M91 (dernière édition) et de tous les codes et règlements en vigueur locaux.

Si les codes le permettent et si on utilise un conducteur distinct de liaison à la terre, il est recommandé qu'un électricien qualifié vérifie la qualité de la liaison à la terre.

Pour obtenir un exemplaire de la norme des codes ci-dessus, contacter :

National Fire Protection Association  
One Batterymarch Park  
Quincy, MA 02269  
CSA International  
8501 East Pleasant Valley Road  
Cleveland, OH 44131-5575

- L'appareil doit être alimenté par un circuit de 120 V, CA seulement, 60 Hz, 15 A, protégé par fusible.

- Si le domicile est équipé d'un câblage en aluminium, suivre les instructions suivantes :

1. Connecter une section de câble en cuivre massif aux conducteurs en queue de cochon.
2. Connecter le câblage en aluminium à la section ajoutée de câblage en cuivre en utilisant des connecteurs et/ou des outils spécialement conçus et homologués UL pour fixer le cuivre à l'aluminium.

Appliquer la procédure recommandée par le fabricant des connecteurs. La connexion aluminium/cuivre doit être conforme aux codes locaux et aux pratiques de câblage acceptées par l'industrie.

- Le calibre des conducteurs et les connexions doivent être compatibles avec la demande de courant de l'appareil spécifiée sur la plaque signalétique. La plaque signalétique de l'appareil est située derrière le filtre, sur la paroi arrière de la hotte.
- Le calibre des conducteurs doit satisfaire aux exigences de la plus récente édition de la norme National Electrical Code, ANSI/NFPA 70, ou de la norme CSA C22.1-94, Code canadien de l'électricité, partie 1 et C22.2 n° 0-M91 (dernière édition) et de tous les codes et règlements en vigueur.

# INSTRUCTIONS D'INSTALLATION

## Préparation de l'emplacement

- Il est recommandé d'installer le système d'évacuation avant de procéder à l'installation de la hotte.
  - Avant d'exécuter les découpages, vérifier la disponibilité d'un dégagement suffisant dans le plafond ou le mur pour le conduit d'évacuation.
  - La hotte doit être installée à 24" (61,0 cm) min. de la surface de cuisson électrique, 30" (76,2 cm) min. de la surface de cuisson au gaz et au maximum à 36" (91,4 cm) au-dessus de la surface de cuisson.
  - Avant de sélectionner la hotte à installer, mesurer la hauteur libre sous plafond et la hauteur maximum disponible sous la hotte.
1. Déconnecter la source de courant électrique.
  2. Déterminer la méthode d'extraction à utiliser : décharge à travers le mur ou le toit.
  3. Sélectionner une surface plane pour l'assemblage de la hotte. Placer le matériau de protection sur cette surface.

## **AVERTISSEMENT**

### Risque du poids excessif

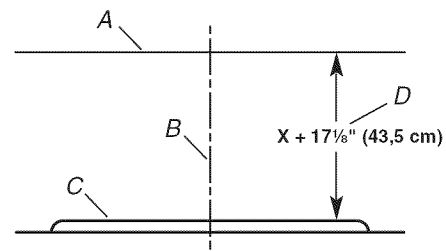
**Utiliser deux ou plus de personnes pour déplacer et installer la hotte de la cuisinière.**

**Le non-respect de cette instruction peut causer une blessure au dos ou d'autre blessure.**

4. À l'aide de deux personnes ou plus, soulever la hotte et la poser sur la surface couverte.

## Installation des vis de montage de la hotte

1. Déterminer l'emplacement de l'axe central où la hotte sera installée et tracer une ligne à cet endroit sur le mur.
2. En fonction de la hauteur sous plafond ou soffite, déterminer la distance "X" (24" [61,0 cm] min. à partir de la surface de cuisson électrique ou 30" [76,2 cm] min. à partir de la surface de cuisson au gaz, et 36" [91,4 cm] max. suggérée) nécessaire entre la surface de cuisson et le bas de la hotte. À cette distance, ajouter 17 1/8" (43,5 cm) et tracer une ligne horizontale (A) d'environ 24" (61 cm) de longueur centrée par rapport à l'axe central vertical (B) à cette distance.



A. Ligne horizontale

B. Axe central vertical

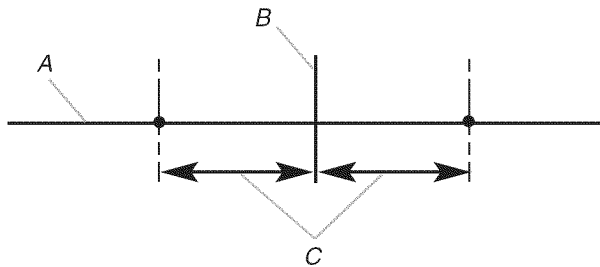
C. Surface de cuisson

D. Distance "X" 24" (61,0 cm) min. à partir de la surface de cuisson électrique ou 30" (76,2 cm) min. à partir de la surface de cuisson au gaz, et 36" [91,4 cm] max. suggérée + 17 1/8" (43,5 cm)

3. En suivant les illustrations de l'étape 4, marquer un point de chaque côté de la ligne horizontale en mesurant à partir de l'axe central vertical.

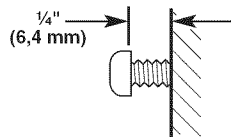
- Percer des avant-trous de  $\frac{3}{32}$ " (2,4 mm) pour une installation dans du bois. Les vis fournies pour le montage de cette hotte doivent être fixées dans du bois massif. Ne pas fixer uniquement dans du placo-plâtre.

**IMPORTANT :** Chaque vis doit être vissée dans du bois. Si l'on ne peut pas visser la vis dans du bois, des tasseaux supplémentaires pour accrochage mural seront peut-être nécessaires.



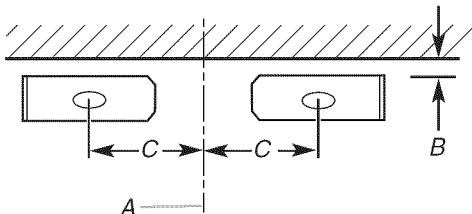
A. Ligne horizontale  
B. Axe central vertical de la hotte  
C.  $5\frac{1}{16}$ " (14,4 cm)

- Installer les vis de montage de 4,2 x 9,5 cm. Laisser un espace de  $\frac{1}{4}$ " (6,4 mm) entre le mur et l'arrière de la tête de la vis pour faire glisser la hotte en place.



### Installation de la bride de support de la cheminée

- Placer deux des brides de la cheminée contre le mur de façon à ce que les bords supérieurs se trouvent à  $\frac{1}{16}$ " (2 mm) du plafond ou soffite et régler l'aplomb. Marquer l'emplacement du centre des trous.



A. Axe central vertical  
B.  $\frac{1}{16}$ " (1,6 mm)  
C.  $10\frac{9}{16}$ " (26,9 cm)

- Percer des avant-trous.
  - En cas d'installation dans du bois, percer 4 avant-trous de  $\frac{3}{32}$ " (2,4 mm).
- Fixer chaque bride sur le mur avec 1 vis de montage de 4,2 x 9,5 cm. Bien serrer les vis.

### Achever la préparation

- Déterminer et marquer toutes les lignes de découpage nécessaires sur le mur pour le passage du système d'évacuation. Installer le système d'évacuation avant la hotte. Voir la section "Exigences concernant l'évacuation".
- Déterminer l'emplacement de passage du cordon d'alimentation à travers le mur. S'assurer que l'emplacement soit couvert par la cheminée de la hotte.

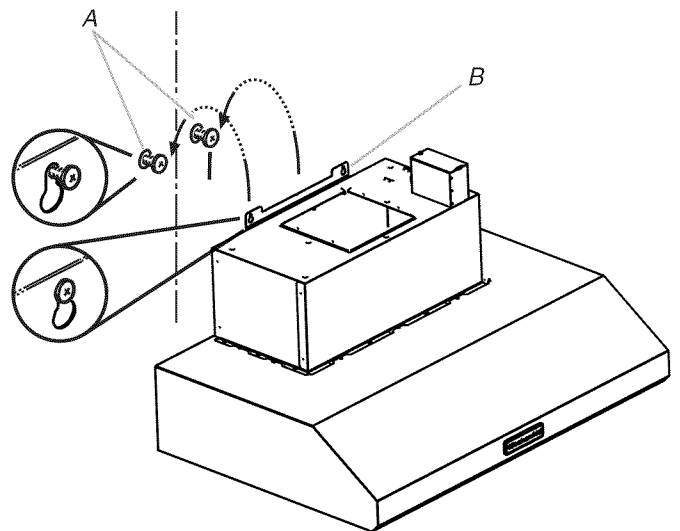
- Percer un trou de  $1\frac{1}{4}$ " (3,2 cm) à cet emplacement.
- Tirer suffisamment de cordon d'alimentation à travers le mur pour permettre un raccordement facile jusqu'au boîtier de connexion.

**NOTE :** Il est nécessaire d'acheter un moteur de ventilateur interne ou externe (en ligne) avec votre hotte.

Pour les systèmes du ventilateur internes, des pièces de montage du moteur du ventilateur se trouvent dans le sachet d'installation du moteur du ventilateur. Elles doivent être installées sur la hotte avant de la fixer au mur. Voir la section "Installation du moteur du ventilateur interne de la hotte" et les instructions fournies avec le moteur du ventilateur.

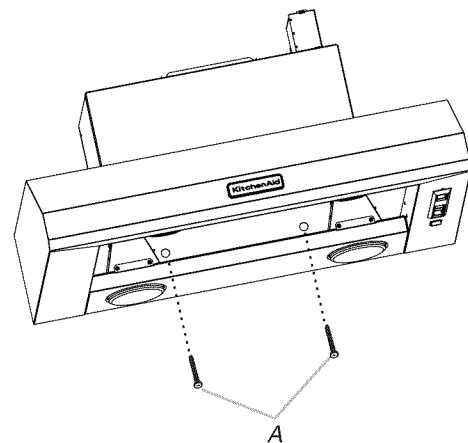
### Installation de la hotte

- Ôter le filtre à graisse. Voir la section "Entretien de la hotte".
- À deux personnes au moins, suspendre la hotte aux 2 crochets de montage, à travers les encoches de montage à l'arrière de la hotte.



A. Vis de montage  
B. Encoches de montage

- Mettre la hotte de niveau et serrer les vis de montage supérieures.
- Installer les 2 vis de montage inférieures de 5 x 45 mm et serrer.



A. Vis de montage inférieures

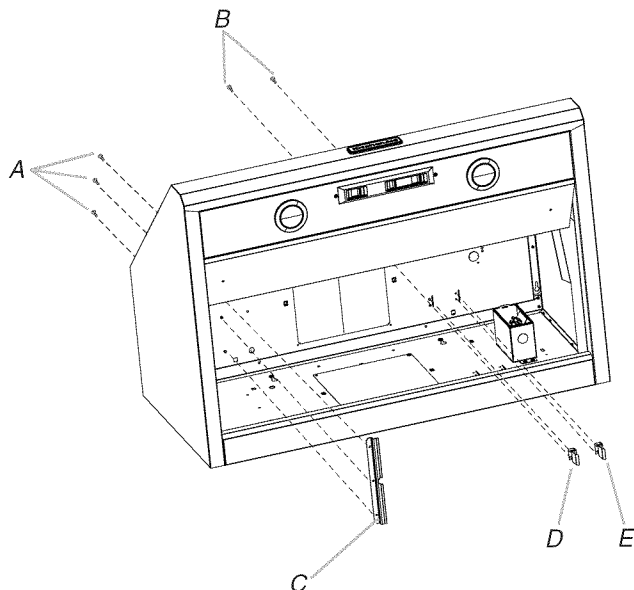
## Installation du moteur du ventilateur interne de la hotte

**NOTE :** Il est nécessaire d'acheter un moteur de ventilateur interne ou externe (en ligne) avec votre hotte. Voir "Système du moteur du ventilateur" dans la section "Accessoires".

### Préparer le système de ventilation interne

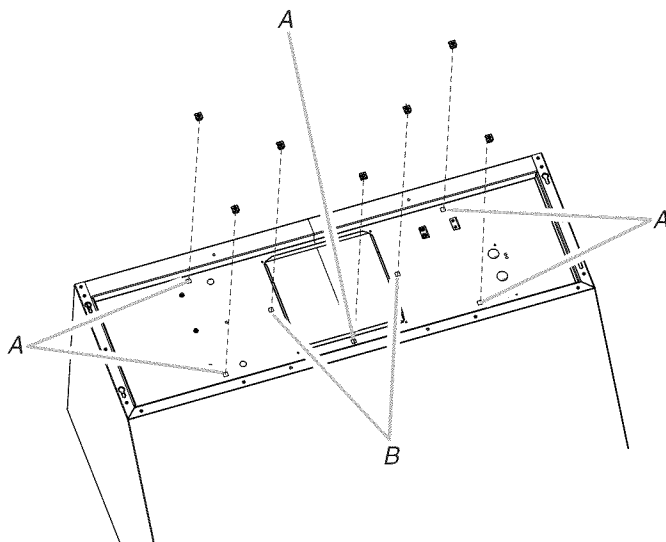
**IMPORTANT :** Exécuter les étapes 1 à 4 avant de monter la hotte de cuisinière.

1. Retirer les filtres à graisse de la hotte. Voir la section "Entretien de la hotte" du guide d'utilisation et d'entretien.
2. Monter le support du moteur à l'aide des trois vis de 4,2 x 8 mm. Visser le support en haut à l'intérieur ou à l'arrière (autre emplacement sur certains modèles), du côté gauche de la hotte.
3. Installer la languette à ressort du moteur à l'aide des deux vis de 4,2 x 8 mm. Visser la languette à ressort en haut à l'intérieur ou à l'arrière (autre emplacement sur certains modèles) de la hotte, à l'endroit correct selon le système de moteur sélectionné. Glisser la patte de montage de la languette à ressort par la fente dans le panneau et la fixer à l'aide des vis. Utiliser les trous de montage intérieurs pour le système à un seul ventilateur. Utiliser les trous de montage extérieurs pour le système à deux ventilateurs.



- A. 3 vis de 4,2 x 8 mm pour le support du moteur
- B. 2 vis de 4,2 x 8 mm pour la languette à ressort du moteur
- C. Support de montage du moteur
- D. Languette à ressort du moteur (emplacement pour système à un seul ventilateur)
- E. Languette à ressort du moteur (emplacement pour système à deux ventilateurs)

4. Fixer les écrous de 6 mm à l'extérieur de la hotte, en haut ou à l'arrière (autre emplacement sur certains modèles), à l'endroit correct selon le système de ventilation sélectionné.
  - Deux écrous de 6 mm sont nécessaires pour le système à un seul ventilateur. Emboîter les écrous dans les petites encoches carrées situées à droite et à gauche de l'ouverture d'évacuation carrée.
  - Cinq écrous de 6 mm sont nécessaires pour le système à deux ventilateurs. Emboîter les écrous dans les petites encoches carrées, l'une située à l'avant de l'ouverture d'évacuation carrée et les quatre autres à gauche et à droite de l'ouverture d'évacuation carrée.



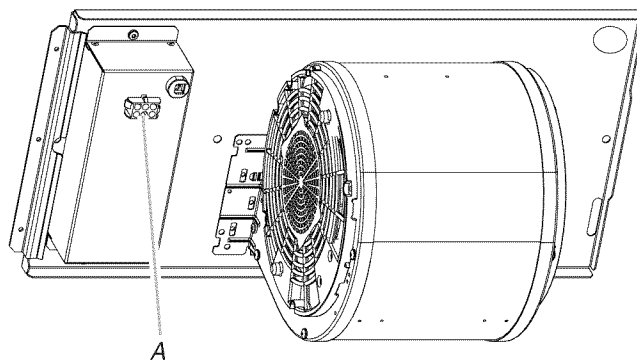
- A. Emplacement des 5 écrous à emboîter pour le système à deux ventilateurs
- B. Emplacement des 2 écrous à emboîter pour le système à un seul ventilateur

5. Monter la hotte. Voir la section "Installation de la hotte".

### Installation du moteur du ventilateur interne de la hotte

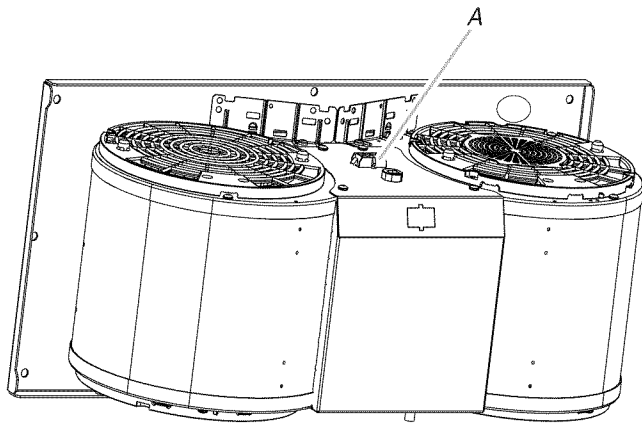
1. Installer le moteur du ventilateur de la hotte à l'intérieur de l'auvent, connexion du câblage à gauche pour le système à ventilateur unique et à l'avant ou au-dessus pour le système à deux ventilateurs.

#### Ensemble à un seul moteur-ventilateur



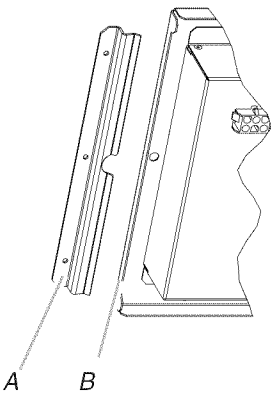
- A. Connexion du câblage

## Ensemble à deux moteurs-ventilateurs



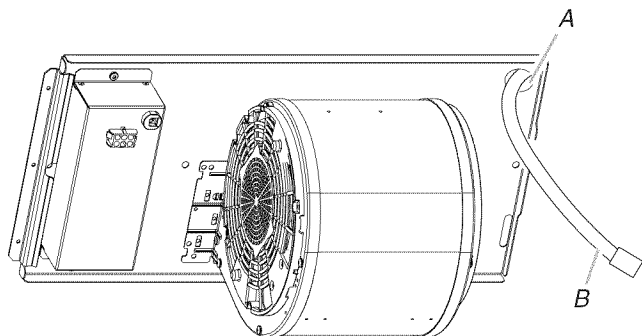
A. Connexion du câblage

2. Glisser le rebord gauche de la plaque de montage sous le support de montage du moteur.



A. Support de montage du moteur  
B. Rebord gauche de la plaque de montage

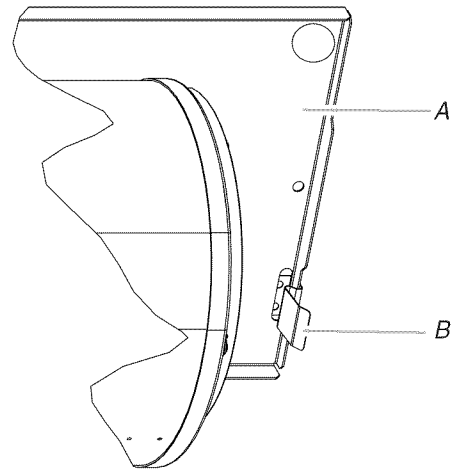
3. Passer les câbles d'alimentation et le connecteur de la hotte par le trou de droite sur la plaque de montage du moteur.



A. Trou de la plaque de montage du moteur  
B. Câbles d'alimentation et connecteur

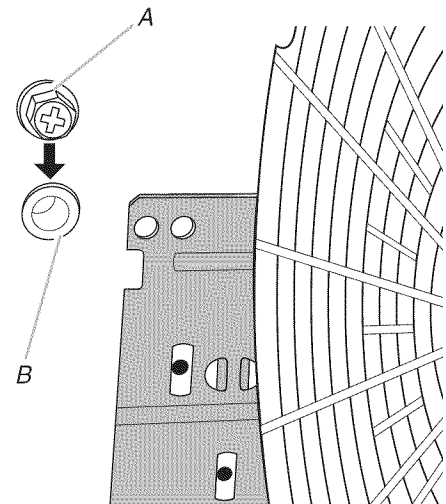
4. Pousser vers le haut le côté droit de la plaque de montage du moteur et l'enclencher dans la languette à ressort.

**REMARQUE :** La languette à ressort doit être à l'extérieur de la fente de la plaque de montage.



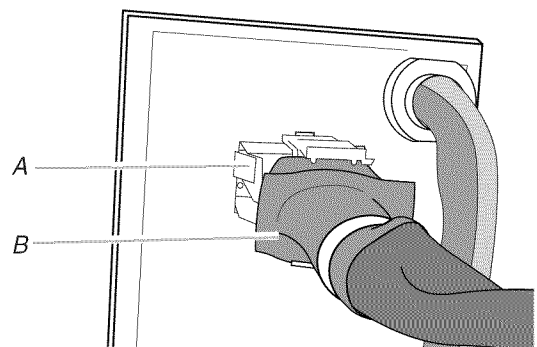
A. Plaque de montage du moteur  
B. Languette à ressort

5. Aligner les trous de montage, puis visser les vis de 6 x 16 mm et les rondelles-freins de 6,4 mm.



A. Vis avec rondelle-frein  
B. Trou de montage

6. Fixer le connecteur du cordon d'alimentation de la hotte au connecteur du boîtier de connexion du moteur du ventilateur.



A. Connecteur du boîtier de connexion  
B. Connecteur du cordon d'alimentation de la hotte

7. Aller à la section "Réalisation des connexions électriques de la hotte".

## Installation du moteur du ventilateur en ligne (externe) de la hotte

**NOTE :** Il est nécessaire d'acheter un moteur de ventilateur interne ou externe (en ligne) avec votre hotte. Voir "Système du moteur du ventilateur" dans la section "Accessoires".

### Préparation du montage du système de ventilation en ligne

Le système de ventilation en ligne doit être fixé à une structure sécurisée de la toiture, du plafond, mur, sol, ou une nouvelle charpente ou une charpente préexistante. Les 4 trous sur l'entrée (bas) ou la sortie (haut) du ventilateur doivent être utilisés pour monter le système de ventilation en ligne à la structure.

**NOTE :** Les emplacements des trous de montage doivent traverser les poteaux de colombage. Des pans à colombage supplémentaires pourraient s'avérer nécessaires. Il est possible d'utiliser du contre-plaqué pour couvrir les zones qui se trouvent entre les solives de plafond ou les chevrons du toit afin de faciliter l'installation. Cette structure doit être suffisamment solide pour supporter le poids du système de ventilation en ligne (50 lb [22,6 kg] min).

### Préparation du système de ventilation en ligne

## ⚠ AVERTISSEMENT

### Risque du poids excessif

Utiliser deux ou plus de personnes pour déplacer et installer le système du moteur du ventilateur en ligne.

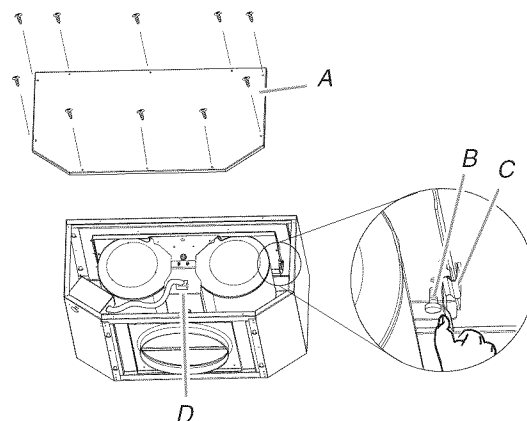
Le non-respect de cette instruction peut causer une blessure au dos ou d'autre blessure.

1. À l'aide d'au moins 2 personnes, déplacer le système du moteur du ventilateur en ligne jusqu'à l'emplacement de montage.
2. Enlever les 10 vis du couvercle avant du carter du moteur du ventilateur en ligne et les mettre de côté.
3. Enlever le couvercle avant du carter du moteur du ventilateur en ligne et le mettre de côté.

**NOTE :** L'ensemble moteur-ventilateur peut être retiré pour faciliter le montage du carter du moteur du ventilateur. Si l'on ne souhaite pas retirer l'ensemble moteur-ventilateur, passer à "Installation du système de ventilation en ligne" dans cette section.

4. Débrancher la prise électrique du moteur de l'ensemble moteur-ventilateur.
5. Enlever les vis qui fixent l'ensemble moteur-ventilateur au carter du ventilateur et les mettre de côté.

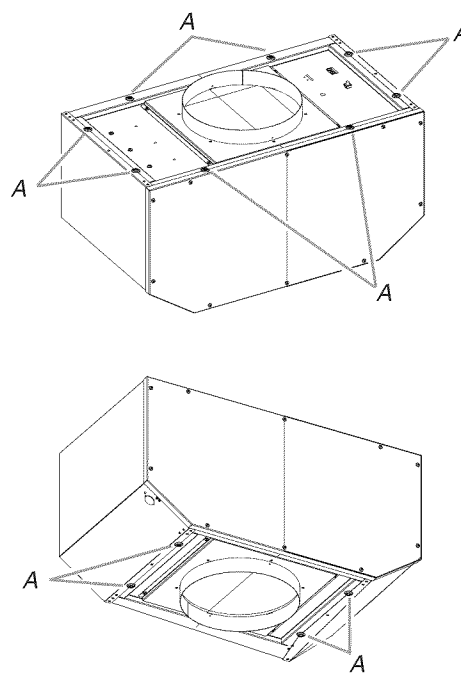
6. Tirer sur la languette à ressort pour dégager l'ensemble moteur-ventilateur. Retirer l'ensemble moteur-ventilateur du carter et le placer sur une surface couverte.



- A. Couvercle avant
- B. Vis de montage du ventilateur
- C. Languette à ressort
- D. Prise électrique du moteur

### Installation du système de ventilation en ligne

**REMARQUE :** Le carter du moteur du ventilateur peut être monté en utilisant 4 trous situés à l'entrée ou à la sortie du ventilateur.

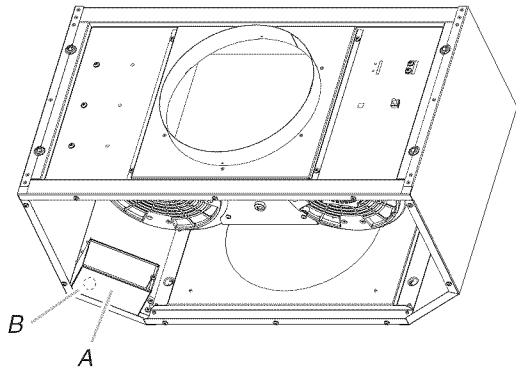


A. Trous de montage

1. Positionner le carter du moteur du ventilateur dans son emplacement de montage et marquer les emplacements des 4 trous de montage.
2. Percer 4 avant-trous à l'aide d'un foret de  $\frac{3}{16}$ " (0,48 cm).
3. Fixer le carter du moteur du ventilateur en ligne à l'emplacement de montage avec quatre vis de montage et rondelles 6 x 80 mm.
4. Réinstaller l'ensemble moteur-ventilateur s'il a été enlevé et le fixer avec les vis enlevées précédemment.
5. Rebrancher la prise du moteur électrique au connecteur de l'ensemble moteur-ventilateur s'il a été enlevé.

## Achever la préparation

1. Déterminer et marquer toutes les lignes de découpage nécessaires pour le passage du circuit d'évacuation.  
**IMPORTANT :** Lors des opérations de découpage et de perçage dans un mur ou un plafond, veiller à ne pas endommager les câblages électriques ou canalisations qui peuvent s'y trouver.
2. Déterminer l'emplacement de passage du conduit de câblage de  $\frac{1}{2}$ " (1,3 cm) à travers le plafond ou le mur entre le ventilateur en ligne et la hotte.
3. Percer un trou de  $1\frac{1}{4}$ " (3,2 cm) à cet endroit.
4. Localiser les boîtiers de connexion dans le carter du ventilateur en ligne et la hotte (voir "Achever la préparation" dans la section "Préparation de l'emplacement"). Retirer les couvercles du boîtier de connexion et les mettre de côté avec les vis.



A. Boîtier de connexion  
B. Opercule arrachable

5. Retirer l'opercule arrachable du carter du ventilateur en ligne et de la hotte (voir "Achever la préparation" dans la section "Préparation de l'emplacement") afin de préparer l'installation du conduit de câblage de  $\frac{1}{2}$ " (1,3 cm) et de son connecteur (homologation UL ou CSA).
6. La hotte étant montée (voir la section "Instructions d'installation de la hotte"), acheminer le conduit de câblage de  $\frac{1}{2}$ " (1,3 cm) entre le carter du moteur du ventilateur en ligne et la hotte. Tirer suffisamment de conduit de câblage de  $\frac{1}{2}$ " (1,3 cm) pour permettre un raccordement facile au boîtier de connexion du carter du ventilateur en ligne et celui de la hotte.
7. Faire passer les six conducteurs de calibre 18 AWG à travers le conduit de câblage de  $\frac{1}{2}$ " (1,3 cm) et les connecteurs de conduit et dans le boîtier de connexion du carter du ventilateur en ligne et celui de la hotte. Laisser suffisamment de longueur de câble dans chaque boîtier de connexion afin de réaliser les connexions de câblage.
8. Installer les connecteurs du conduit et le conduit dans le boîtier de connexion du ventilateur en ligne et celui de la hotte.
9. Raccorder le système d'évacuation à la hotte et au système de ventilation en ligne et sceller tous les joints avec des brides.

### ⚠ AVERTISSEMENT



#### Risque de choc électrique

Déconnecter la source de courant électrique avant l'entretien.

Replacer pièces et panneaux avant de faire la remise en marche.

Le non-respect de ces instructions peut causer un décès ou un choc électrique.

### ⚠ AVERTISSEMENT



#### Risque de choc électrique

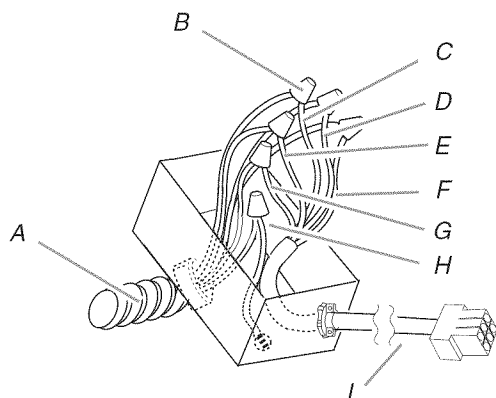
Relier le ventilateur à la terre.

Brancher le fil relié à la terre au fil vert et jaune relié à la terre dans la boîte de la borne.

Le non-respect de ces instructions peut causer un décès ou un choc électrique.

### Connexion électrique à l'intérieur du système du ventilateur en ligne

1. Déconnecter la source de courant électrique.
2. Connecter les fils du conduit de câblage aux fils de la fiche électrique du moteur qui se trouve à l'intérieur du boîtier de connexion du carter du ventilateur en ligne.



A. Conduit de câblage de 1/2" (1,3 cm) homologué UL ou CSA

B. Connecteurs de fils (homologation UL)

C. Conducteurs noirs

D. Connecteurs blancs

E. Conducteurs rouges

F. Conducteurs bleus

G. Conducteurs gris

H. Conducteur vert (ou jaune/vert) et vert/jaune

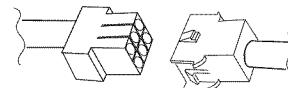
I. Câble de la fiche électrique du moteur

3. Connecter ensemble les conducteurs noirs (C) à l'aide de connecteurs de fils (homologation UL).
4. Connecter ensemble les conducteurs blancs (D) à l'aide de connecteurs de fils (homologation UL).
5. Connecter ensemble les conducteurs rouges (E) à l'aide de connecteurs de fils (homologation UL).
6. Connecter ensemble les conducteurs bleus (F) à l'aide de connecteurs de fils (homologation UL).
7. Connecter ensemble les conducteurs gris (G) à l'aide de connecteurs de fils (homologation UL).

8. Connecter le conducteur vert (ou jaune/vert) de liaison à la terre au conducteur de terre (vert-jaune) (H) du boîtier de raccordement avec des connecteurs de fils homologués UL.
9. Réinstaller le couvercle et les vis du boîtier de connexion du ventilateur en ligne.
10. Réinstaller le couvercle avant du carter du ventilateur en ligne et le fixer avec 10 vis de montage.

### Connexion électrique à l'intérieur de la hotte entre le système du ventilateur en ligne et la hotte

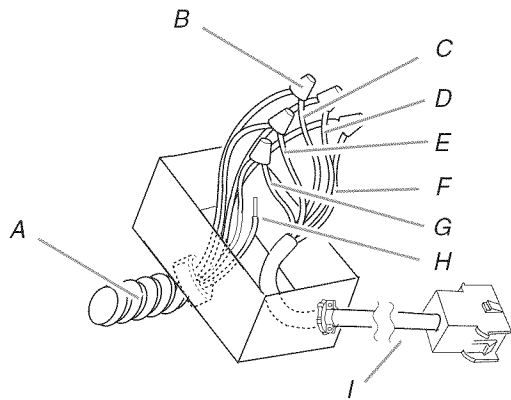
1. Une fois la hotte montée (voir la section "Instructions d'installation de la hotte"), rechercher le connecteur du câble à l'intérieur.
2. Connecter l'ensemble de connexion à 6 fils fourni avec le système du moteur du ventilateur en ligne au connecteur du câble correspondant dans la hotte.



3. Trouver le boîtier de connexion à l'intérieur de la hotte et installer un serre-câble 1/2" (1,3 cm) homologué UL ou CSA (voir la "Préparation complète" dans la section "Préparer l'emplacement").
4. Acheminer les extrémités des fils à partir de l'ensemble de connexion à 6 fils à travers le serre-câble 1/2" (1,3 cm), en laissant suffisamment de longueur pour effectuer les connexions de câblage. Serrer les vis du serre-câble.
5. Connecter les fils de l'ensemble de connexion à 6 fils aux fils du conduit de câblage qui se trouve à l'intérieur du boîtier de connexion de la hotte.
6. Connecter les conducteurs de même couleur entre eux (noir à noir, blanc à blanc, etc.) en utilisant des connecteurs de fils (homologation UL).

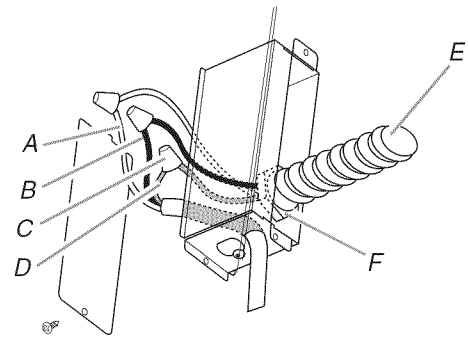
**REMARQUE :** Connecter le conducteur vert (ou vert/jaune) de liaison à la terre du conduit de câblage au conducteur vert (ou nu) de mise à la terre du câble d'alimentation du domicile à l'aide de connecteurs de fils homologués UL (voir la section "Réalisation des connexions de l'alimentation électrique à la hotte").





- A. Conduit de câblage de 1/2" (1,3 cm) homologué UL ou CSA
- B. Connecteurs de fils (homologation UL)
- C. Conducteurs noirs
- D. Connecteurs blancs
- E. Conducteurs rouges
- F. Conducteurs bleus
- G. Conducteurs gris
- H. Conducteur vert (ou vert/jaune)
- I. Ensemble de connexion à six fils

7. Aller à la section "Réalisations des connexions de l'alimentation électrique à la hotte".



- A. Conducteurs blancs
- B. Conducteurs noirs
- C. Connecteurs de fils (homologation UL)
- D. Conducteurs verts, nus ou jaune/verts
- E. Câble d'alimentation électrique du domicile
- F. Serre-câble 1/2" (1,3 cm) (homologation UL ou CSA)

3. Connecter les conducteurs noirs (B) aux connecteurs de fils (homologation UL).
4. Connecter ensemble les conducteurs blancs (A) à l'aide de connecteurs de fils (homologation UL).

## Réalisations des connexions de l'alimentation électrique à la hotte

### ⚠ AVERTISSEMENT



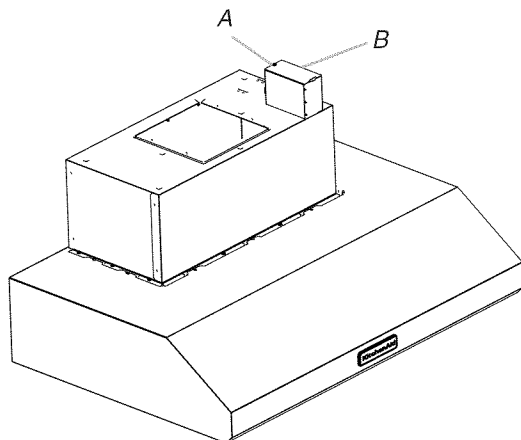
#### Risque de choc électrique

Déconnecter la source de courant électrique avant l'entretien.

Replacer pièces et panneaux avant de faire la remise en marche.

**Le non-respect de ces instructions peut causer un décès ou un choc électrique.**

1. Déconnecter la source de courant électrique.
2. Localiser le boîtier de connexion au-dessus de la hotte.



A. Opercule arrachable à l'arrière du boîtier de connexion  
B. Haut du boîtier de connexion

### ⚠ AVERTISSEMENT



#### Risque de choc électrique

Relier le ventilateur à la terre.

Brancher le fil relié à la terre au fil vert et jaune relié à la terre dans la boîte de la borne.

**Le non-respect de ces instructions peut causer un décès ou un choc électrique.**

**REMARQUE :** Lors de l'utilisation du système du moteur du ventilateur en ligne, le conducteur vert (ou vert/jaune) de liaison à la terre du conduit de câblage du système du moteur du ventilateur en ligne doit être connecté au conducteur vert (ou nu) du câble d'alimentation du domicile et au conducteur vert/jaune (D) du boîtier de connexion.

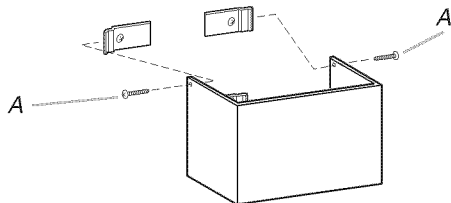
5. Connecter le conducteur vert (ou nu) de mise à la terre du câble d'alimentation du domicile au conducteur vert/jaune (D) de liaison à la terre dans le boîtier de connexion à l'aide de connecteurs de fils (homologation UL).
6. Installer le couvercle du boîtier de connexion.
7. Vérifier que toutes les ampoules d'éclairage sont bien fixées dans leur douille.
8. Reconnecter la source de courant électrique.

## Installation du cache-cheminée

1. Installer un clapet sur la partie supérieure de l'ouverture du conduit d'évacuation. Vérifier que le clapet s'ouvre librement.
2. Raccorder le système d'évacuation et sceller toutes les connexions avec des brides.

### Installation de la section supérieure du cache-cheminée

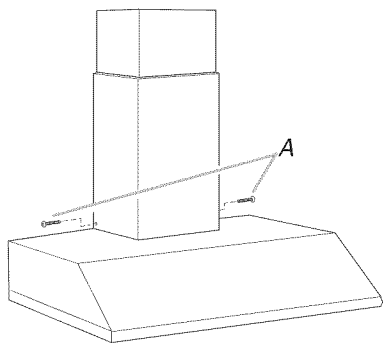
1. Écarter légèrement les côtés du cache-cheminée l'un de l'autre et les fixer derrière les brides de montage de la cheminée.
2. Fixer le cache-cheminée aux brides avec 2 vis à têtes plates.
3. Bien serrer les vis.



A. 2 vis à tête plate

### Installation de la section inférieure du cache-cheminée

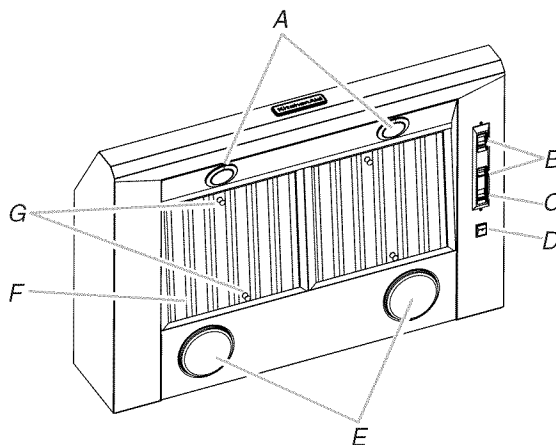
1. Écarter légèrement les côtés du cache-cheminée l'un de l'autre et les fixer derrière la section supérieure de la cheminée.
2. Utiliser les 4 vis à rondelles Phillips pour fixer la section inférieure du cache-cheminée sur le couvercle de la hotte de l'intérieur.
3. Bien serrer les vis.



A. 4 vis à rondelles

## Achever l'installation et vérifier le fonctionnement

1. Installer les filtres à graisse. Voir la section "Entretien de la hotte".
2. Contrôler le fonctionnement du ventilateur de la hotte et des lampes. Voir la section "Utilisation de la hotte".



- A. Lampes à halogène
- B. Commutateurs de commande du ventilateur
- C. Commutateur de lampe à halogène
- D. Commutateur de lampe à rayons infrarouges
- E. Lampes à rayons infrarouges
- F. Filtre à graisse
- G. Poignées du filtre à graisse

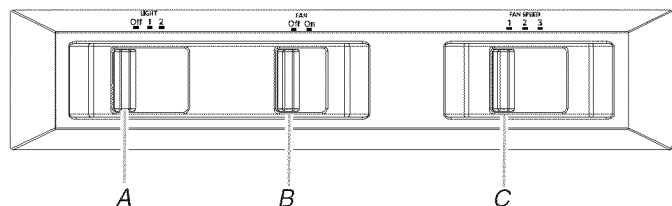
3. Si la hotte ne fonctionne pas, déterminer si un disjoncteur s'est ouvert ou si un fusible du domicile est grillé. Déconnecter la source de courant électrique du circuit et vérifier que le câblage est correct.

**NOTE :** Pour pouvoir tirer le plus grand parti de la nouvelle hotte de cuisinière, lire la section "Utilisation de la hotte".

# UTILISATION DE LA HOTTE

La hotte de cuisinière est conçue pour extraire fumée, vapeurs de cuisson et odeurs de la zone de la table de cuisson. Pour obtenir les meilleurs résultats, mettre le ventilateur de la hotte en marche avant d'entreprendre une cuisson, et laisser le ventilateur fonctionner pendant plusieurs minutes après l'achèvement d'une cuisson pour pouvoir évacuer de la cuisine toute trace d'odeur de cuisson, vapeur ou fumée.

Les commandes de la hotte sont situées sous celle-ci, du côté droit.



- A. Commande de la lampe
- B. Commande du ventilateur
- C. Commande de la vitesse du ventilateur

## Commandes de la hotte de cuisinière

### Commande de la lampe

1. Placer le commutateur d'éclairage à la position "1" pour placer la lumière de la hotte au réglage de veilleuse.
2. Placer le commutateur d'éclairage à la position "2" pour placer la lumière de la hotte au réglage de plein éclairage.
3. Placer le commutateur d'éclairage à la position "Off" (arrêt) pour ÉTEINDRE la lumière de la hotte.

### Fonctionnement du ventilateur

1. Placer l'interrupteur du ventilateur à la position "On" (marche) pour METTRE EN MARCHÉ le ventilateur. Le ventilateur commence à fonctionner à la vitesse réglée par le commutateur de vitesse du ventilateur.
2. Placer l'interrupteur du ventilateur à la position "Off" pour ÉTEINDRE le ventilateur.

### Mise en marche automatique du ventilateur

La hotte de cuisine est équipée d'un capteur qui met le ventilateur automatiquement en marche lorsqu'un niveau de chaleur excessif est détecté dans la zone de commande. Lorsque l'interrupteur du ventilateur est à la position "Off" (arrêt), le capteur change l'état du commutateur du ventilateur à la vitesse élevée si nécessaire. Lorsque le niveau de chaleur diminue, le ventilateur s'éteint.

Lorsque l'interrupteur du ventilateur est à la position "On", le capteur de chaleur est inactif et la hotte fonctionne normalement.

### Réglage du ventilateur

Le ventilateur comporte 3 commandes de vitesse. Placer le commutateur de vitesse du ventilateur à la position "1" pour la vitesse faible, à la position "2" pour la vitesse moyenne ou à la position "3" pour la vitesse élevée.

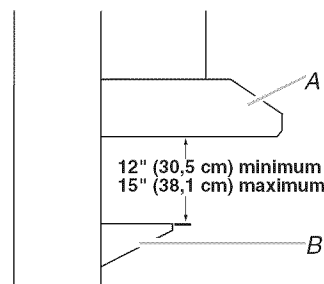
### Dispositif de protection thermique

La hotte est équipée d'un dispositif de protection thermique permettant d'éviter les conditions de surchauffe. Si la hotte s'éteint en cours d'utilisation, déplacer le curseur du ventilateur vers Off (arrêt) pour éteindre la hotte. Attendre environ 60 minutes puis déplacer le curseur vers On (marche) pour remettre la hotte en marche.

### Utilisation de la lampe chauffante

Les lampes chauffantes sont conçues pour maintenir les aliments au chaud avant de servir. La surface de la table de cuisson est trop éloignée de la lampe chauffante pour être utilisée comme tablette.

Pour de meilleurs résultats, installer une tablette métallique pour conserver les aliments plus près des lampes. La distance optimale entre la tablette et la hotte est comprise entre 12" (30,5 cm) et 15" (38,1 cm).



A. Hotte de cuisinière  
B. Tablette métallique

Pour un rendement optimal, les aliments doivent être placés directement sous les lampes chauffantes, et non entre elles. L'utilisateur devra peut-être modifier la répartition des aliments pour répondre à ses besoins spécifiques.

1. Installer des ampoules pour lampes chauffantes (non fournies) dans les douilles de lampes chauffantes.

**REMARQUE :** Les ampoules pour lampes chauffantes doivent avoir une intensité nominale maximale de 175 watts chacune. Pour un meilleur rendement, on recommande des ampoules pour lampe à rayons infrarouges de 175 watts et de type PAR38. Le rendement varie selon les ampoules. Des ampoules transparentes ou de puissance inférieure réduisent le rendement.

## ⚠ AVERTISSEMENT

### Risque d'empoisonnement alimentaire

**Ne pas laisser des aliments reposer plus d'une heure avant ou après la cuisson.**

**Le non-respect de cette instruction peut causer un empoisonnement alimentaire ou une maladie.**

2. Pour allumer une lampe chauffante, déplacer le commutateur de la lampe désirée à la position "1". Pour éteindre la lampe chauffante, déplacer le commutateur à la position "0".

# ENTRETIEN DE LA HOTTE

## Nettoyage

**IMPORTANT :** Nettoyer fréquemment la hotte et les filtres à graisse en suivant les instructions suivantes. Réinstaller les filtres à graisse avant de faire fonctionner la hotte.

### Surfaces externes :

Afin d'éviter d'endommager la surface externe, ne pas utiliser de tampons en laine d'acier ou de tampons à récurer savonneux.

Toujours essuyer pour éviter de laisser des marques d'eau.

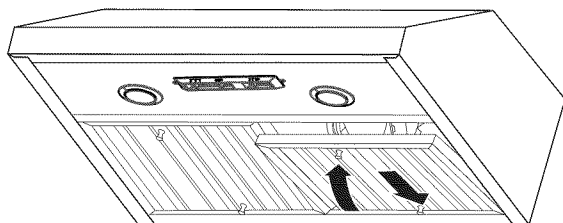
### Méthode de nettoyage :

- Savon détergent liquide et eau, ou produit de nettoyage polyvalent.
- Frotter avec un chiffon doux humide ou une éponge non abrasive, puis rincer avec de l'eau propre et essuyer.

### Filtre à graisse métallique

#### Dépose des filtres à graisse métalliques

1. Employer les deux mains pour retirer les filtres. Saisir les poignées du filtre, tirer vers l'arrière de la hotte et tirer sur la poignée avant pour retirer le filtre.



2. Répéter pour chaque filtre à graisse.
3. Laver les filtres métalliques autant que nécessaire au lave-vaisselle ou à la main dans une solution de détergent chaude pour les nettoyer.

#### Réinstallation des filtres à graisse métalliques :

1. Saisir les poignées du filtre et insérer l'arrière du filtre dans la rainure arrière.
2. Tirer sur la poignée arrière et insérer le devant du filtre à graisse dans la rainure avant et bien fixer.
3. Répéter pour chaque filtre.

### Remplacement d'une lampe à rayons infrarouges

Cette hotte de cuisinière utilise des lampes à rayons infrarouges de 175 watts maximum.

Éteindre les lampes à rayons infrarouges et les laisser refroidir.

#### Réinstallation :

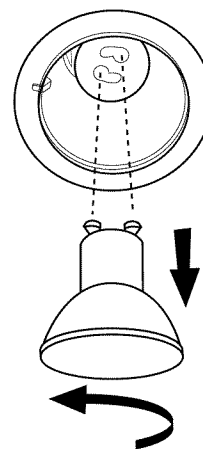
1. Déconnecter la source de courant électrique.
2. Retirer l'ampoule de la lampe à rayons infrarouges de sa douille.
3. Remplacer l'ampoule de la lampe à rayons infrarouges par une ampoule de même type et la serrer dans la douille.
4. Répéter les étapes 2 et 3 avec l'ampoule de l'autre lampe à rayons infrarouges si nécessaire.
5. Reconnecter la source de courant électrique.

### Remplacement d'une lampe à halogène

Interrompre l'alimentation de la hotte; attendre le refroidissement de la lampe à halogène. Pour éviter d'endommager ou de réduire la longévité de l'ampoule neuve, ne pas toucher l'ampoule avec les doigts nus. Remplacer l'ampoule en la manipulant avec un mouchoir de papier ou des gants de coton.

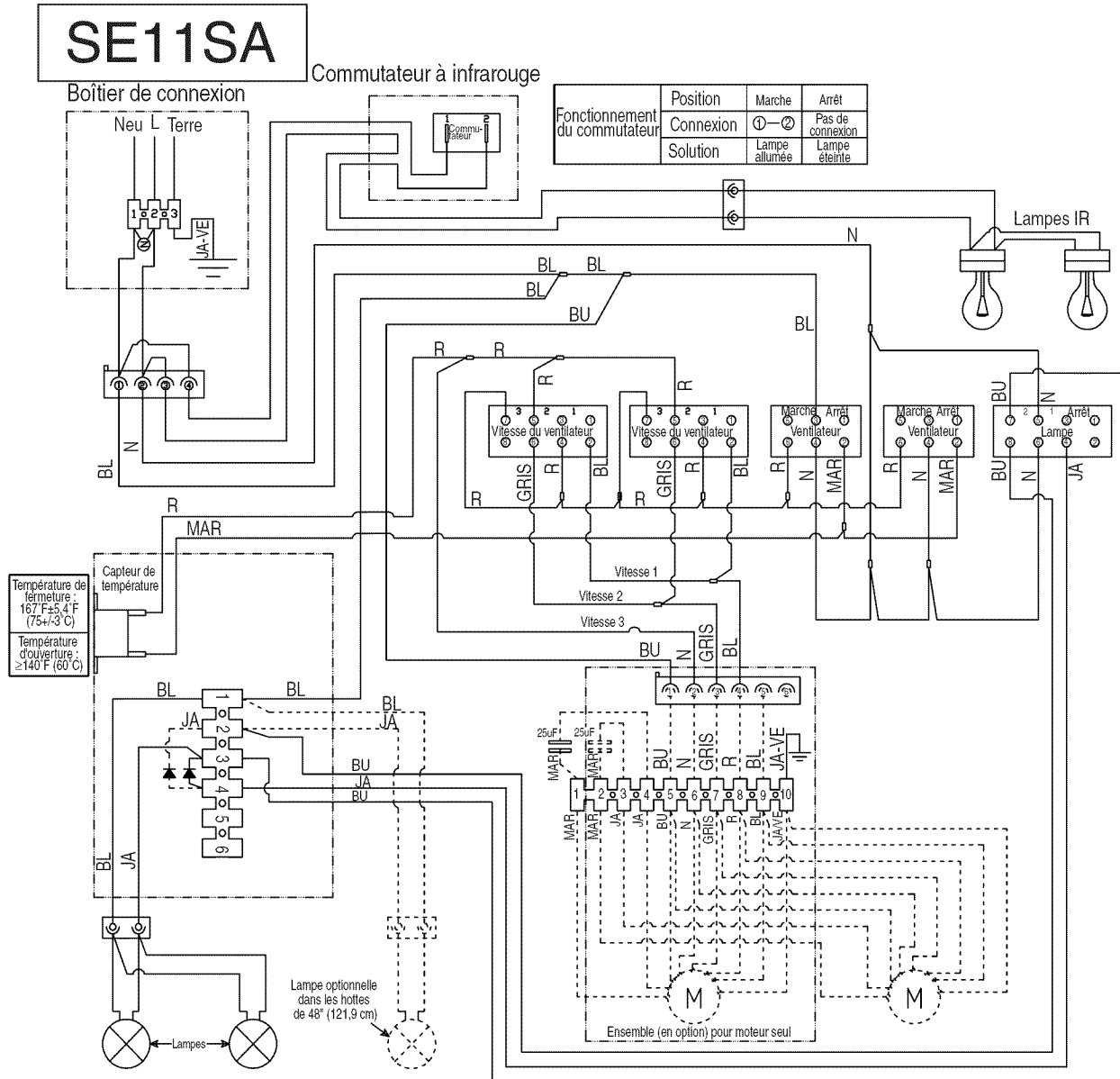
Si les nouvelles lampes ne fonctionnent pas, vérifier que chaque lampe est correctement insérée dans sa douille avant de demander l'intervention d'un réparateur.

1. Déconnecter la source de courant électrique.
2. Pousser la plaque de verre vers le haut et la tourner dans le sens antihoraire.



3. Retirer l'ampoule et la remplacer par une ampoule halogène de 120 volts, 50 watts maximum avec culot GU10. La tourner dans le sens horaire pour l'emboîter.
4. Répéter les étapes 2 à 3 pour l'autre ampoule, si nécessaire.
5. Reconnecter la source de courant électrique.

# SCHÉMA DE CÂBLAGE



Résistance du moteur (ohms)			Caractéristiques du moteur	
Bleu-Rouge: 18	Bleu-Blanc: 21,6 (min.)	Bleu-Noir: 9,8 (max)	Alimentation : 120 VAC	Absorption de courant : 420 W
Bleu-Gris: 14,3	Temp. ambiante : 73,4°F (23°C)		Fréquence: 60 Hz	Courant: 3,7A

Fonctionnement du commutateur avec le bouton "1-2-3"				Fonctionnement du commutateur avec le bouton "On-Off" (marche-arrêt)			Fonctionnement du commutateur avec le bouton "Light" (éclairage)			
Position	1	2	3	Position	Marche	Arrêt	Position	Arrêt	1	2
Connexion	④—②	④—⑥	⑤—⑦	Connexion	④—⑥	④—②	Connexion	④—②	④—⑥	⑤—⑦ ⑥—⑧
Solution	Vitesse 1	Vitesse 2	Vitesse 3	Solution	Moteur en marche	Moteur à l'arrêt	Solution	Lampes éteintes	Intensité minimale	Intensité maximale

---

# ASSISTANCE OU SERVICE

---

Lors d'un appel pour assistance ou service, veuillez connaître la date d'achat, le numéro de modèle et le numéro de série complets de l'appareil. Ces renseignements nous aideront à mieux répondre à votre demande.

## Si vous avez besoin de pièces de rechange

Si vous avez besoin de commander des pièces de rechange, nous vous recommandons d'employer uniquement les pièces spécifiées par l'usine. Les pièces spécifiées par l'usine conviendront et fonctionneront bien parce qu'elles sont fabriquées avec la même précision utilisée dans la fabrication de chaque nouvel appareil. Pour localiser les pièces spécifiées par l'usine, dans votre région, nous appeler ou téléphoner au centre de service désigné le plus proche.

---

## Au Canada

Veuillez appeler sans frais le Centre pour l'eXpérience de la clientèle de KitchenAid Canada au : **1-800-807-6777**.

### Nos consultants vous renseigneront sur les sujets suivants :

- Caractéristiques et spécifications sur toute notre gamme d'appareils électroménagers.
- Consignes d'utilisation et d'entretien.
- Vente d'accessoires et de pièces de rechange.
- Références aux marchands locaux, aux distributeurs de pièces de rechange et aux compagnies de service. Les techniciens de service désignés par KitchenAid Canada sont formés pour remplir la garantie des produits et fournir un service après la garantie, partout au Canada.

### Pour plus d'assistance

Si vous avez besoin de plus d'assistance, vous pouvez soumettre par écrit toute question ou préoccupation à KitchenAid Canada à l'adresse suivante :

Centre pour l'eXpérience de la clientèle  
KitchenAid Canada  
200 - 6750 Century Ave.  
Mississauga, Ontario L5N 0B7

Veuillez inclure dans votre correspondance un numéro de téléphone où l'on peut vous joindre dans la journée.

---

## Accessoires

### Ensemble d'extension de cache-conduit

Commander la pièce W10352733 Acier inoxydable

### Systèmes de moteur de ventilateur (1 système nécessaire)

Système de moteur de ventilateur interne de 600 CFM -  
Commander le modèle numéro UXB0600DYS

Système de moteur de ventilateur interne de 1200 CFM -  
Commander le modèle numéro UXB1200DYS

Système de moteur de ventilateur en ligne de 600 CFM -  
Commander le modèle numéro UXI0600DYS

Système de moteur de ventilateur en ligne de 1200 CFM -  
Commander le modèle numéro UXI1200DYS

### Ensemble de dossier (pour utilisation sans lampe à rayons infrarouges)

Commander la pièce numéro W10352735 pour modèle de 36" (91,4 cm)

Commander la pièce numéro W10352736 pour modèle de 48" (121,9 cm)

### Ensemble de dossier (pour utilisation avec lampe à rayons infrarouges)

Commander la pièce numéro W10225949 pour modèle de 36" (91,4 cm)

Commander la pièce numéro W10225948 pour modèle de 48" (121,9 cm)

# GARANTIE DU SYSTÈME DE VENTILATION KITCHENAID®

## GARANTIE LIMITÉE

Pendant un an à compter de la date d'achat, lorsque ce gros appareil ménager est utilisé et entretenu conformément aux instructions jointes à ou fournies avec le produit, la marque KitchenAid de Whirlpool Corporation ou Whirlpool Canada LP (ci-après désignées "KitchenAid") paiera pour les pièces spécifiées par l'usine et la main-d'œuvre pour corriger les vices de matériaux ou de fabrication. Le service doit être fourni par une compagnie de service désignée par KitchenAid. Cette garantie limitée est valide uniquement aux États-Unis ou au Canada et s'applique exclusivement lorsque l'appareil est utilisé dans le pays où il a été acheté. À l'extérieur du Canada et des 50 États des États-Unis, cette garantie limitée ne s'applique pas. Une preuve de la date d'achat original est exigée pour obtenir un service dans le cadre de la présente garantie limitée.

## ARTICLES EXCLUS DE LA GARANTIE

La présente garantie limitée ne couvre pas :

1. Les visites de service pour rectifier l'installation du gros appareil ménager, montrer à l'utilisateur comment utiliser l'appareil, remplacer ou réparer des fusibles ou rectifier le câblage ou la plomberie du domicile.
2. Les visites de service pour réparer ou remplacer les ampoules électriques de l'appareil, les filtres à air ou les filtres à eau. Les pièces consommables ne sont pas couvertes par la garantie.
3. Les réparations lorsque le gros appareil ménager est utilisé à des fins autres que l'usage unifamilial normal ou lorsque les instructions d'installation et/ou les instructions de l'opérateur ou de l'utilisateur fournies ne sont pas respectées.
4. Les dommages imputables à : accident, modification, usage impropre ou abusif, incendie, inondation, actes de Dieu, installation fautive ou installation non conforme aux codes d'électricité ou de plomberie, ou l'utilisation de pièces consommables ou de produits nettoyants non approuvés par KitchenAid.
5. Les défauts apparents, notamment les éraflures, les bosses, fissures ou tout autre dommage au fini du gros appareil ménager, à moins que ces dommages soient dus à des vices de matériaux ou de fabrication et soient signalés à KitchenAid dans les 30 jours suivant la date d'achat.
6. Les coûts associés au transport du gros appareil ménager du domicile pour réparation. Ce gros appareil ménager est conçu pour être réparé à domicile et seul le service à domicile est couvert par la présente garantie.
7. Les réparations aux pièces ou systèmes résultant d'une modification non autorisée faite à l'appareil.
8. Les frais de transport pour le service d'un produit si votre gros appareil est situé dans une région éloignée où un service d'entretien KitchenAid autorisé n'est pas disponible.
9. La dépose et la réinstallation de votre gros appareil si celui-ci est installé dans un endroit inaccessible ou n'est pas installé conformément aux instructions d'installation fournies.
10. Les gros appareils ménagers dont les numéros de série et de modèle originaux ont été enlevés, modifiés ou qui ne peuvent pas être facilement identifiés. La présente garantie est nulle si le numéro de série d'usine a été modifié ou enlevé du gros appareil ménager.

Le coût d'une réparation ou d'un remplacement dans le cadre de ces circonstances exclues est à la charge du client.

## CLAUSE D'EXONÉRATION DE RESPONSABILITÉ AU TITRE DES GARANTIES IMPLICITES; LIMITATION DES RECOURS

LE SEUL ET EXCLUSIF RECOURS DU CLIENT DANS LE CADRE DE LA PRÉSENTE GARANTIE LIMITÉE CONSISTE EN LA RÉPARATION PRÉVUE CI-DESSUS. LES GARANTIES IMPLICITES, Y COMPRIS LES GARANTIES APPLICABLES DE QUALITÉ MARCHANDE ET D'APTITUDE À UN USAGE PARTICULIER, SONT LIMITÉES À UN AN OU À LA PLUS COURTE PÉRIODE AUTORISÉE PAR LA LOI. KITCHENAID N'ASSUME AUCUNE RESPONSABILITÉ POUR LES DOMMAGES FORTUITS OU INDIRECTS. CERTAINES JURIDICTIONS NE PERMETTENT PAS L'EXCLUSION OU LA LIMITATION DES DOMMAGES FORTUITS OU INDIRECTS, OU LES LIMITATIONS DE LA DURÉE DES GARANTIES IMPLICITES DE QUALITÉ MARCHANDE OU D'APTITUDE À UN USAGE PARTICULIER, DE SORTÉ QUE CES EXCLUSIONS OU LIMITATIONS PEUVENT NE PAS S'APPLIQUER DANS VOTRE CAS. CETTE GARANTIE VOUS CONFÈRE DES DROITS JURIDIQUES SPÉCIFIQUES ET VOUS POUVEZ ÉGALEMENT JOUIR D'AUTRES DROITS QUI PEUVENT VARIER D'UNE JURIDICTION À UNE AUTRE.

Si vous résidez à l'extérieur du Canada et des 50 États des États-Unis, contactez votre marchand KitchenAid autorisé pour déterminer si une autre garantie s'applique.

Si vous avez besoin de service, voir d'abord la section "Dépannage" du Guide d'utilisation et d'entretien. Après avoir vérifié la section "Dépannage", de l'aide supplémentaire peut être trouvée en vérifiant la section "Assistance ou service" ou en appelant KitchenAid. Aux É.-U., composer le **1-800-422-1230**. Au Canada, composer le **1-800-807-6777**.

4/09

**Conservez ce manuel et votre reçu de vente ensemble pour référence ultérieure. Pour le service sous garantie, vous devez présenter un document prouvant la date d'achat ou d'installation.**

Inscrivez les renseignements suivants au sujet de votre gros appareil ménager pour mieux vous aider à obtenir assistance ou service en cas de besoin. Vous devrez connaître le numéro de modèle et le numéro de série au complet. Vous trouverez ces renseignements sur la plaque signalétique située sur le produit.

Nom du marchand \_\_\_\_\_

Adresse \_\_\_\_\_

Numéro de téléphone \_\_\_\_\_

Numéro de modèle \_\_\_\_\_

Numéro de série \_\_\_\_\_

Date d'achat \_\_\_\_\_

**W10331009A**

© 2010. All rights reserved.  
Tous droits réservés.

® Registered Trademark/TM Trademark of KitchenAid, U.S.A., KitchenAid Canada licensee in Canada  
® Marque déposée/TM Marque de commerce de KitchenAid, U.S.A., Emploi sous licence par KitchenAid Canada au Canada

12/10  
Printed in Mexico  
Imprimé au Mexique