



**LG**

Life's Good

ENGLISH

ESPAÑOL

# OWNER'S MANUAL BOTTOM FREEZER REFRIGERATOR

Please read this manual carefully before operating your set and retain it for future reference.

# MANUAL DE USUARIO REFRIGERADOR CON CONGELADOR INFERIOR

Lea detenidamente este manual antes de empezar a utilizar el refrigerador y guárdelo como referencia para el futuro.

**Model Name/Nombre de Modelo** \*\*= color number/número de color

LBC20514\*\*

LDC22720\*\*

LBC22520\*\*

LRBC20512\*\*

# WARRANTY

Visit our web site <http://www.lg.com>

LG Electronics

## LIMITED WARRANTY United States of America

LG Electronics will repair or at its option replace, without charge, your product which proves to be defective in material or workmanship under normal use during the warranty period listed below from the date of original purchase.

This warranty is good only to the original purchaser of the product during the warranty period as long as it is in the U.S. including Alaska, Hawaii, and U.S. Territories.

### LG Refrigerator / Freezer Warranty Period

Product	Parts	Labor
Refrigerator / Freezer	1 year	1 year [In-Home Service (Except Model GR-051)]
Sealed System (Compressor, Condenser, Evaporator)	7 years	1 year [In-Home Service (Except Model GR-051)]

No other express warranty is applicable to this product. THE DURATION OF ANY IMPLIED WARRANTIES, INCLUDING THE IMPLIED WARRANTY OF MERCHANTABILITY, IS LIMITED TO THE DURATION OF THE EXPRESS WARRANTY HEREIN. LG ELECTRONICS SHALL NOT BE LIABLE FOR THE LOSS OF USE OF THE PRODUCT, INCONVENIENCE OR ANY OTHER DAMAGES, DIRECT OR CONSEQUENTIAL, ARISING OUT OF THE USE OF OR INABILITY TO USE THIS PRODUCT OR FOR ANY BREACH OF ANY EXPRESS OR IMPLIED WARRANTY, INCLUDING THE IMPLIED WARRANTY OF MERCHANTABILITY APPLICABLE TO THIS PRODUCT.

Some States do not allow the exclusion or limitation of incidental or consequential damages or limitations on how long an implied warranty lasts; so these limitations or exclusions may not apply to you. This warranty gives you specific legal rights and you may also have other rights which vary from state to state.

### THE ABOVE WARRANTY DOES NOT APPLY TO:

1. Service trips to your home to deliver and pickup, install, instruct, or replace house fuses or correct house wiring or plumbing, or correction of unauthorized repairs.
2. Damage to the product caused by accident, pests, fire, floods, or acts of God.
3. Repairs when your LG product is used in other than normal, single-family household use.
4. Damage resulting from accident, alteration, misuse, abuse, or improper installation.
5. Damages caused during and/or after delivery.
6. Display, discount, or refurbished units purchased with scratches, dents, or defects.

Proof of purchase is required and must be provided to LG in order to validate warranty.

Therefore, these costs are paid by the consumer.

If the product is installed outside the normal service area, any cost of transportation involved in the repair of the product, or the replacement of defective parts, shall be borne by the owner.

### CUSTOMER ASSISTANCE NUMBERS:

To obtain Warranty Coverage:	Retain your Bill of Sale to prove date of purchase. A Copy of your Sales Receipt must be submitted at the time warranty service is provided.
To obtain Product or Customer:	Call 1-800-243-0000 (24 hrs a day, 7 days per week, 365 days per year).
Service Assistance:	Press the appropriate menu option, and have your product type (Refrigerator), model number, serial number, and ZIP/Postal Code ready.
To obtain the nearest Authorized Service Center:	Call 1-800-243-0000 (24 hrs a day, 7 days per week, 365 days per year) Press the appropriate option, and have your product type (Refrigerator), model number, serial number, and ZIP/Postal Code ready.

# GARANTÍA

Visite nuestro sitio web <http://www.lg.com>

LG Electronics

## GARANTÍA LIMITADA Estados Unidos de América

LG Electronics reparará o en su defecto reemplazará sin cargo, el producto defectuoso en material o mano de obra bajo uso normal durante el período de garantía que se menciona a continuación desde la fecha original de compra.

Esta garantía es válida solo para el comprador original del producto durante el período de garantía mientras permanezca en los E.E. U.U. Incluyendo Alaska, Hawaii y otros territorios de E.E.U.U.

### Período de Garantía del Refrigerador/Congelador LG

Producto	Partes	Mano de Obra
Refrigerador / Congelador	1 año	1 año [Servicio a Domicilio (Except Model GR-051)]
Sistema Sellado (Compresor, Condensador, Evaporador)	7 años	1 año [Servicio a Domicilio (Except Model GR-051)]

No se aplicará otro tipo de garantía a este producto. LA DURACIÓN DE OTRAS GARANTÍAS, INCLUYENDO LA DE COMPRA, ESTÁN LIMITADAS A LA DURACIÓN DE ÉSTA GARANTÍA. LG ELECTRONICS NO SE HACE RESPONSABLE POR LA PÉRDIDA EN EL USO DEL PRODUCTO, POR INCONVENIENCIA O CUALQUIER OTRO DAÑO DIRECTO O CONSECUENTE QUE PROVENGA DEL USO Y/O NO USO DE ESTE PRODUCTO O POR ALGUNA VIOLACIÓN A LAS GARANTÍAS IMPLEMENTADAS INCLUYENDO LA GARANTÍA DE COMPRA APLICADA A ESTE PRODUCTO.

Algunos estados no permiten la exclusión o limitación de daños incidentales o consecuenciales o limitaciones en cuanto al tiempo que dura una garantía implícita; por lo que algunas de estas limitaciones o exclusiones pueden no aplicarse a usted. Esta garantía le otorga derechos legales específicos y usted puede además tener otros derechos los cuales varían de Estado a Estado.

### LA GARANTIA ANTERIOR NO APLICA A :

1. Servicio a su casa para entregar, recoger, instalar o reemplazar fusibles caseros, corregir cableado casero o plomería, corrección de reparaciones no autorizadas.
2. Daño al producto causado por accidente, plagas, incendios, inundaciones o actos por naturaleza.
3. Reparaciones cuando su producto LG sea usado diferente a lo normal.
4. Daño resultante de accidente, alteración, mal uso o instalación inadecuada.
5. Daños causados durante y después de la entrega.
6. Reemplazo, descuento o restauración de unidades compradas con rayones, abolladuras o defectos.

La prueba de la compra se requiere y se debe proporcionar a LG para validar la garantía.

**Por lo tanto, estos costos serán pagados por el consumidor.**

Si el producto es instalado fuera del área normal de servicio, cualquier costo de transportación relacionado en la reparación del producto, o el reemplazo de partes defectuosas, serán cargados al propietario.

### NÚMEROS DE ASISTENCIA AL CLIENTE:

Para obtener cobertura de la Garantía:	Conserve su factura para comprobar la fecha de compra. Una copia de su recibo de compra debe ser entregada cuando se le proporcione el servicio de garantía.
Para obtener información:	Llame al 1-800-243-0000 (24 hrs al día, 7 días por semana, 365 días al año)
Servicio de Asistencia:	Presione la opción de menú apropiado, y tenga su tipo de producto (Refrigerador), número de modelo, número de serie, y ZIP / Código Postal listos.
Para obtener el Centro de Servicio Autorizado más cercano:	Llame al 1-800-243-0000 (24 hrs al día, 7 días por semana, 365 días al año). Presione la opción adecuada, y tenga su tipo de producto (Refrigerador), número de modelo, número de serie, y ZIP / código Postal listos.

# TABLE OF CONTENTS

<b>Warranty</b>	<b>1-2</b>	Optibin Crispers	21
		Crisper cover with interior lattice	22
<b>English Version</b>	<b>3</b>	Fixed Refrigerator Rack	22
		Door Racks	22-23
<b>Spanish Version</b>	<b>34</b>	Dairy Compartment	23
		Egg Compartment	23
<b>Important Safety Instructions</b>	<b>4-5</b>	Freezer Section	23-24
Requirements for Ground Connection	5	Ice Bin	23
		DuraBase	23
		Durabase Divider	23
<b>Parts and Features</b>	<b>6-7</b>	Glide Out Drawer	24
		Tilting Door	24
<b>Refrigerator Installation</b>	<b>8-17</b>	Wired Durabase (Swing Models)	24
Unpacking	8	Freezer Shelf	24
Installation	8		
Installation of Base Grille	8		
Refrigerator Doors: How to remove and reverse	9-16	<b>Refrigerator Care and Cleaning</b>	<b>25-26</b>
For Models with Pull-out Drawer	9-10	Refrigerator Cleaning	25
For Models with Swinging Door	13-16	Outside	25
How to remove and Install Pull-Out Drawer	11-12	Inside Walls	25
Closing and Aligning the doors	16-17	Door Lining & Gaskets	25
		Plastic Parts (Covers and Panel)	25
		Back Cover	25
		Replacing Refrigerator Lights	25-26
<b>Using your Refrigerator</b>	<b>18-24</b>	Power Interruptions	26
Ensuring Proper Air Circulation	18	When Going on Vacation	26
Multi Flow	18	When Moving	26
Door Alarm	18		
Adjusting the Controls	18	<b>About the Automatic Ice Maker</b>	<b>27</b>
Adjusting Control Settings	19		
Food Storage Guide	19	<b>Connecting the Water Line</b>	<b>28-30</b>
Storing Frozen Food	19-20		
Refrigerator Section	20-23	<b>Troubleshooting Guide</b>	<b>31-33</b>
Refrigerator Shelves	20-21		
Frozen Meat Compartment (Chef Fresh/Snack Pan)	21		
Crisper Humidity Control	21		

# IMPORTANT SAFETY INSTRUCTIONS

## SAFETY MESSAGES

This manual contains several important safety notices. Always read and obey all of the following safety messages.



This is the safety alert symbol. This symbol is a warning to potential dangers that could cause death, injury or damage to you, others or the product. All safety messages will follow after this warning symbol and the word "DANGER", "CAUTION" or "WARNING". These words mean:

### DANGER

You may be killed or suffer fatal damage if you do not follow instructions.

### WARNING

You may be killed or seriously injured if you do not follow instructions.

### CAUTION

Indicates a potentially hazardous situation which, if not avoided, may result in minor injury or damage to the product.

All safety messages inform you of potential danger, advise you on how to reduce the risk of injury and tell you what can occur if the instructions are not followed.

## WARNING

**To reduce the risk of fire, electrical shock or personal injury, the following precaution measures should be followed:**

- NEVER disconnect the refrigerator by pulling the power cord, always grip the plug firmly and disconnect it directly from the outlet.
- Immediately repair or replace all faulty or damaged service cables. Do not use cords that have cracks or abrasion damage on the length of the cord or on the plug.
- When moving your refrigerator, take care not to roll over the electrical cord.
- **DO NOT** store or use gasoline or other combustible liquids or vapors in proximity with this or any other electrical appliance.
- **DO NOT** permit children to climb, stand or swing from the doors or shelves of the refrigerator. This can cause serious injury to them and damage to the product.
- Keep your fingers away from areas in which they can become caught, such as the doors, hinges and cabinets. Be careful closing the doors when children are near.
- Unplug the refrigerator before cleaning or repairing. **NOTE:** We strongly recommend that any repair services be performed by a qualified professional.
- Before replacing a burned-out light bulb, unplug the refrigerator or shut down the circuit breaker to avoid contact with a live wire (the bulb could break while being replaced). **NOTE:** Setting the control to the OFF position does not disconnect the power from the light bulb circuit.
- Do not keep bottles in the freezer compartment, they could explode after freezing and cause damage.
- For your safety, this product should be properly grounded. Have a qualified professional check the electrical circuit and outlet to ensure a proper ground connection.
- Read all instructions before utilizing the product. Use this product only as explicitly expressed in this guide.
- Once the refrigerator is operating, avoid touching cold surfaces of the freezer with damp or wet hands; the skin could become adhered to these surfaces.
- In refrigerators with an automatic ice dispenser, avoid contact with moving parts of the ejector mechanism or with the heating mechanism that discharges the cubes. **DO NOT** place your fingers or hands in the ice dispenser mechanism while the refrigerator is connected.
- **DO NOT** refreeze foods which have already thawed. The Department of Agriculture of the United States, in your Bulletin of Home and Gardens No. 69 establishes that:  
"..You can refreeze food that has thawed if they contain ice crystals or are cold and below 40 °F (4 °C)".  
"..Ground beef, perishable food or seafood that is discolored or has an unpleasant odor should not be frozen or consumed. Consumption of melted ice cream should also be avoided. If the odor or color of food is questionable, discard it. The food may be dangerous to consume".  
"Partial thawing or refreezing reduces the quality of the food, especially fruit, vegetables and prepared meals. The quality of red meat is less affected than other foods. Use refrozen products as soon as possible in order to maintain their quality".

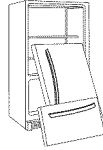
**KEEP THESE INSTRUCTIONS**

## ⚠ CAUTION

This appliance is not intended for use by children, persons with physical or mental disabilities, persons with reduced sensory or mental capacity, or persons with lack of experience or know-how, unless they have supervision or instruction in relation to the use of the appliance by the person responsible for their safety. Children should be supervised to assure that they do not play with the appliance.

## ⚠ DANGER: CHILDREN MAY BECOME TRAPPED

Children becoming trapped or suffocated is not a problem of the past. Discarded and abandoned refrigerators are a hazard, even if they remain there "for just a few days". If you would like to dispose of your old refrigerator, please follow the instructions below to prevent any accidents.



### BEFORE DISPOSING YOUR REFRIGERATOR OR FREEZER WHEN NO LONGER IN USE:

- Remove the doors.
- Leave the shelves in place so that children cannot easily become stuck in them.

## CFC DISPOSAL

Your old refrigerator may have a cooling system that uses CFC's (chlorofluorocarbons). CFC affects the stratospheric layer of the ozone.

If you decide to throw out your old refrigerator, ensure that CFC contaminants are properly disposed of by a qualified professional. If you intentionally remove the CFC refrigerant, you could be subject to fines or prison in accordance with environmental legislation in effect.

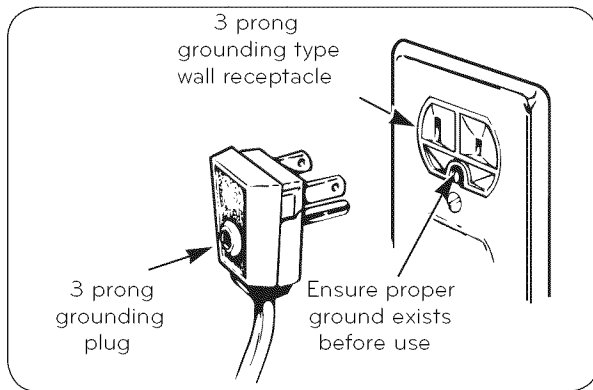
## REQUIREMENTS FOR GROUND CONNECTION

**IMPORTANT:** Attentively read the following.

### TO CONNECT ELECTRICITY

#### ⚠ WARNING

**ELECTRICAL SHOCK HAZARD**  
FOR YOUR PERSONAL SAFETY, this appliance must be properly grounded. Have a qualified electrician check your wall outlet to ensure that the plug is grounded properly.



### RECOMMENDED GROUNDING METHOD

Your refrigerator must always be plugged to its own outlet which is adequately grounded. The energy current should only be 115 V, 60 Hz, A. C. and fused at 15 or 20 A. This provides the best performance and prevents an overload which could cause a fire from the overheating of the cables. It is recommended that a separate circuit be used for this appliance, as well as a receptacle that cannot be disconnected with a switch.

Do not use an extension cable.

It is your responsibility and obligation to replace two-prong outlets with that of an adequately grounded three-prong outlet.

**Do not, under any circumstance, cut or extract the third prong from the plug.**

**NOTE:** Before installation, cleaning or replacing light bulbs, you must disconnect the appliance from the power source. When finished, plug the appliance back in and adjust the thermostat to the desired position.

### USE OF EXTENSION CABLES

**We do not recommend the use of extension cables.** However, if you still choose to utilize an extension cable, it is absolutely necessary that it is listed in the UL (in the United States) or CSA (in Canada), that it supports three-pronged plugs and that the electrical current support a minimum of 15 A and 120 V.

The use of an extension cable will increase the amount of space needed behind the refrigerator.

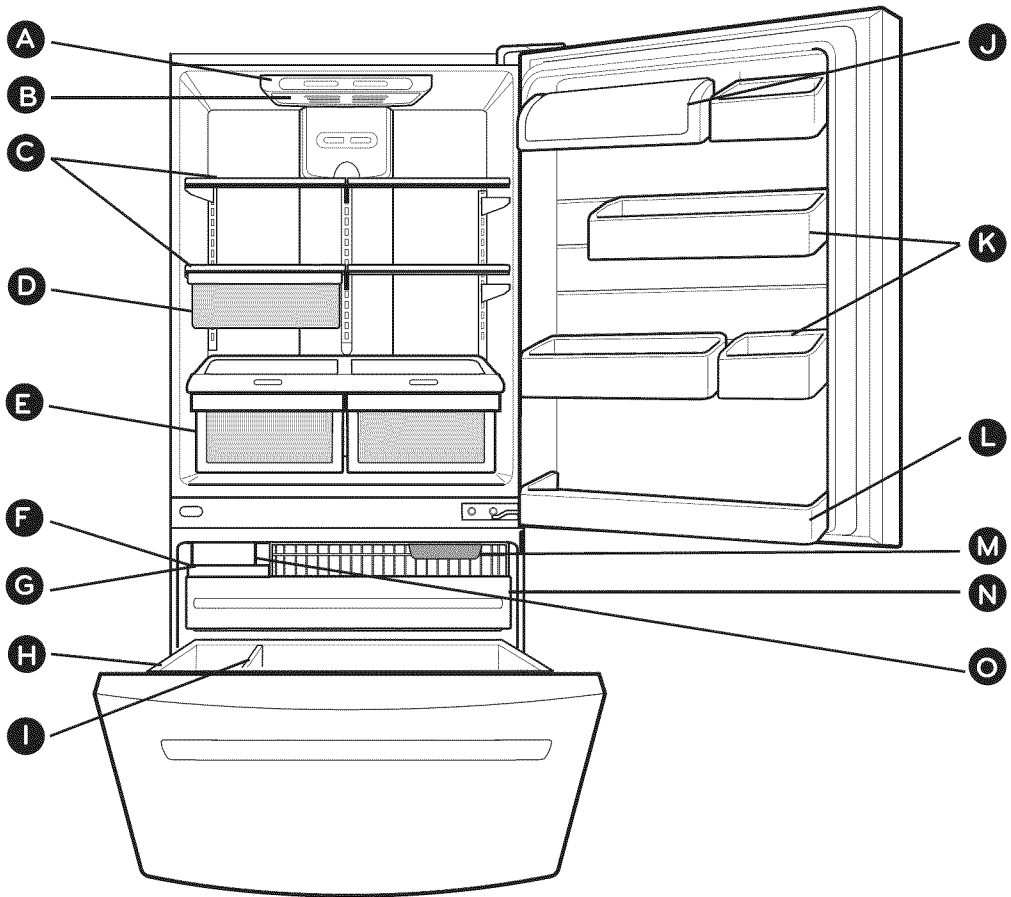
#### ⚠ WARNING

### REPLACING ELECTRICAL CABLE

If the power cord is damaged, it must be replaced by our service center or qualified LG technician to avoid any risk.

# PARTS AND FEATURES

## Drawer Model



Read this section to familiarize yourself with the parts and features of your new refrigerator.

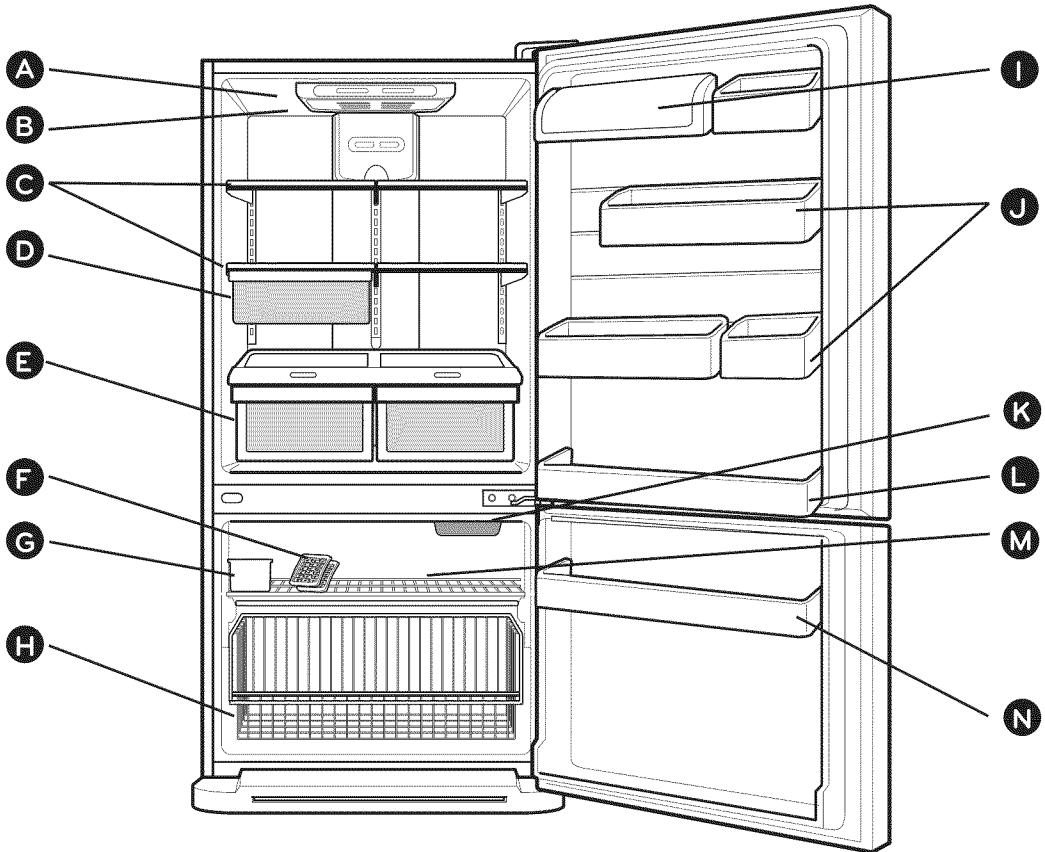
**NOTE:** This guide covers different models. Your refrigerator could have some or all of the features and parts listed below. The location of some of the parts may not correspond to that of your model.

- |  |                                  |
|--|----------------------------------|
| <b>A</b> Digital Sensor Control  | <b>I</b> Divider                 |
| <b>B</b> Refrigerator Light  | <b>J</b> Dairy Compartment       |
| <b>C</b> Shelves   | <b>K</b> Door Racks              |
| <b>D</b> Frozen Meat Compartment<br>(Chef Fresh/Snack Pan) *           | <b>L</b> Fixed Refrigerator Rack |
| <b>E</b> Optibin Crisper<br>Keeps fruits and vegetable fresh and crisp | <b>M</b> Freezer Light           |
| <b>F</b> Ice Bin   | <b>N</b> Pull Out Drawer         |
| <b>G</b> Ice Tray (Inside H) *   | <b>O</b> Ice maker *             |
| <b>H</b> Durabase  |                                  |

\* On some models

# PARTS AND FEATURES

## Swing Model



Read this section to familiarize yourself with the parts and features of your new refrigerator.

**NOTE:** This guide covers different models. Your refrigerator could have some or all of the features and parts listed below. The location of some of the parts may not correspond to that of your model.

- |   |                                  |
|---|----------------------------------|
| <b>A</b> Digital Sensor Control   | <b>H</b> Wired Durabase          |
| <b>B</b> Refrigerator Light   | <b>I</b> Dairy Compartment       |
| <b>C</b> Shelves  | <b>J</b> Door Racks              |
| <b>D</b> Frozen Meat Compartment<br>(Chef Fresh/Snack Pan)*             | <b>K</b> Freezer Light           |
| <b>E</b> Optibin Crisper<br>Keeps fruits and vegetables fresh and crisp | <b>L</b> Fixed Refrigerator Rack |
| <b>F</b> Ice Tray *   | <b>M</b> Wire Freezer Shelf      |
| <b>G</b> Ice Bin  | <b>N</b> Freezer Door Rack       |

\* On some models



# REFRIGERATOR INSTALLATION

## ⚠ WARNING

### EXCESSIVE WEIGHT HAZARD

Use the assistance of two or more persons to move or install the refrigerator. Not following these instructions may cause injury to the back and other parts of the body.

## UNPACKING

Before installing your refrigerator, remove any tape or temporary stickers. Do not remove any stickers that feature warnings, the model serial number or the technical label of the product located on the back of the refrigerator.

To remove adhesive tape residue, rub it well with your fingers and a little liquid detergent. Clean with warm water and let dry.

Do not use sharp instruments, rubbing alcohol, flammable liquids or abrasive cleaning products to remove the adhesive tape or glue. These products can damage the surface of your refrigerator. For more information, see the section on "Important Safety Instructions".

The shelves come already installed in their factory position. Remove the shelves and replace them according to your spacing needs.

### Moving Your Refrigerator:

Your refrigerator is extremely heavy. Make sure you protect the floor when moving your refrigerator for cleaning or servicing. Always pull your refrigerator straight out when moving it. Do not shift from side to side or "walk" the refrigerator when attempting to move it as this can cause damage to the floor.

## ⚠ WARNING

### EXPLOSION HAZARD



Keep all flammable materials and vapors (such as gasoline) away from the refrigerator. Not following these instructions may cause death, explosion or fire.

## INSTALLATION

1. Avoid placing the unit near heat sources, direct sunlight, or humidity.
2. To avoid vibration, the unit should be leveled. If needed, adjust the leveling screws to compensate for an unlevelled floor. The front should be slightly taller than the rear to ensure that the doors close properly. The leveling screws can easily be turned by slightly tilting the front of the refrigerator, turning the leveling screws clockwise (🔩➡️) to raise it and counter-clockwise (🔩➡️) to lower it.

3. Install the refrigerator in an area between 55 °F (13 °C) and 110 °F (43 °C). If the surrounding temperature is lower or higher than previously mentioned, it can adversely affect the unit.

⚠ CAUTION: Avoid placing the unit near heat sources, direct sunlight or humidity.

## ONCE INSTALLED

1. Carefully clean your refrigerator and remove and dust accumulated during shipping.
2. Install accessories such as the ice bin, door racks, shelves, etc., in their proper places. These are already packed to prevent any possible damage during shipping.
3. Leave your refrigerator on for 2 to 3 hours before storing food inside. Verify that there is a flow of cold air in the freezer compartment to ensure proper cooling. Your refrigerator is now ready for use.

## ⚠ WARNING:

- Take care when working with the hinges, base cover and stops, etc. You may injure yourself.
- DO not place your hands or any tools in the air vents, the base cover or in the bottom of the refrigerator. This may cause injury or electrical shock.

## INSTALLATION OF BASE GRILLE Uninstalling or Replacing the Base Grille

1. Remove the 2 screws from the bottom front part of your refrigerator (see Figure A).
2. Take off the cover.

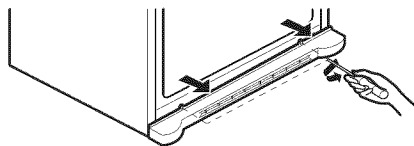


Figure A

## Installing the Base Grille

1. Align the bottom cover and place in position. Insert the 2 screws and twist in place (see Figure B).

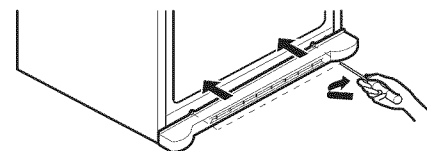
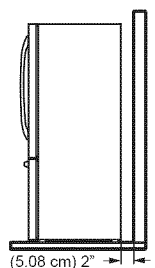


Figure B

## Keep a Proper Distance from Adjacent Objects

Please keep the refrigerator at an adequate distance from other objects. Insufficient spacing can reduce the refrigerator's freezing efficiency and increase electricity consumption.

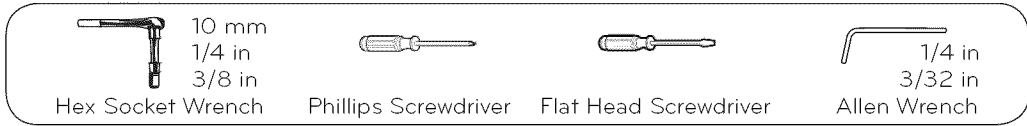


# REFRIGERATOR INSTALLATION

## REFRIGERATOR DOORS: HOW TO REMOVE AND REVERSE (Optional) For models with Pull Out Drawer

You may find it more convenient to have the doors converted from the left-opening type (factory installed) to the right-opening type. Directions refer to the right side as your right when facing the unit.

### TOOLS YOU MIGHT NEED OR USE



Other necessary tools are:

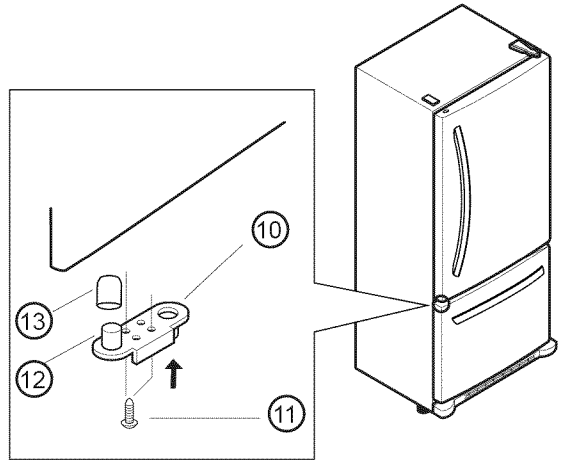
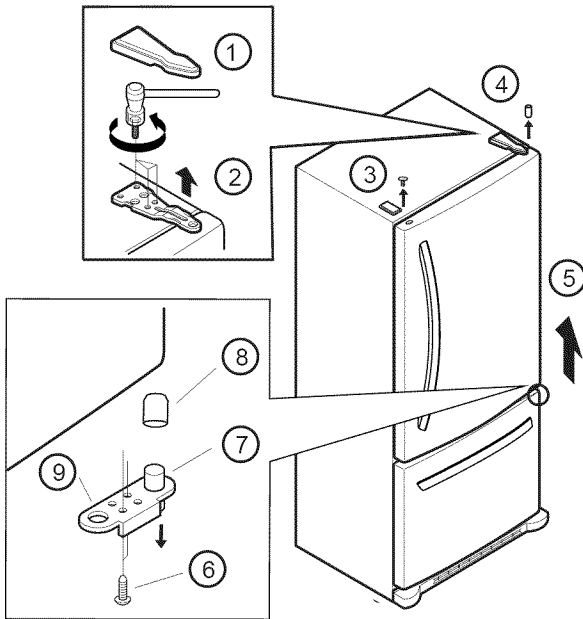
- 1/4 inch socket wrench.
- Adjustable Wrench.
- 10 mm open-end wrench
- Flat 2 inch putty knife

**IMPORTANT:** Before you begin, unplug the refrigerator or disconnect the power source. Remove all food and any adjustable racks from the refrigerator doors.

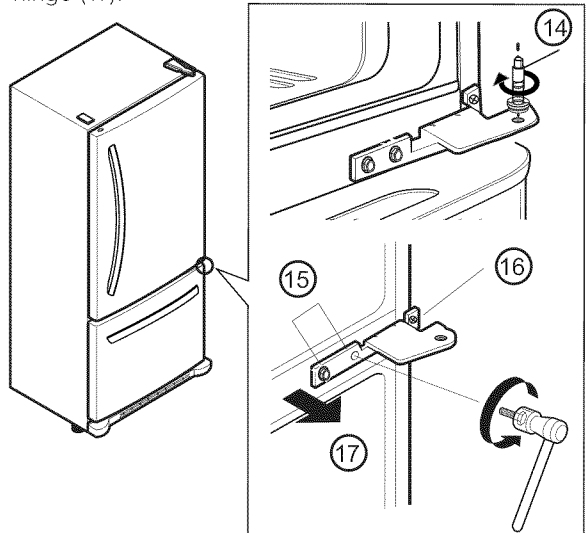
### HOW TO REVERSE DOOR SWING (when converting from left-opening side mode to right-opening mode).

#### 1. Removing Refrigerator Door

- Gently pry the top hinge cover with a flat head screwdriver and remove it (1).
- Using 10 mm socket wrench, remove the three bolts and lift off the top hinge. Set parts aside (2).
- Remove the pivot (3) and the cap (4) and place them in the opposite side.
- Gently lift the refrigerator door (5) and remove it.
- Once the door has been removed, remove the screws (6), the stopper (7) and the hinge pin (8) located below the door and remove the hinge (9).



- Using the 1/4 inch socket wrench, loosen the pin (14) and remove it.
- Remove the four screws (15 & 16) and remove the hinge (17).

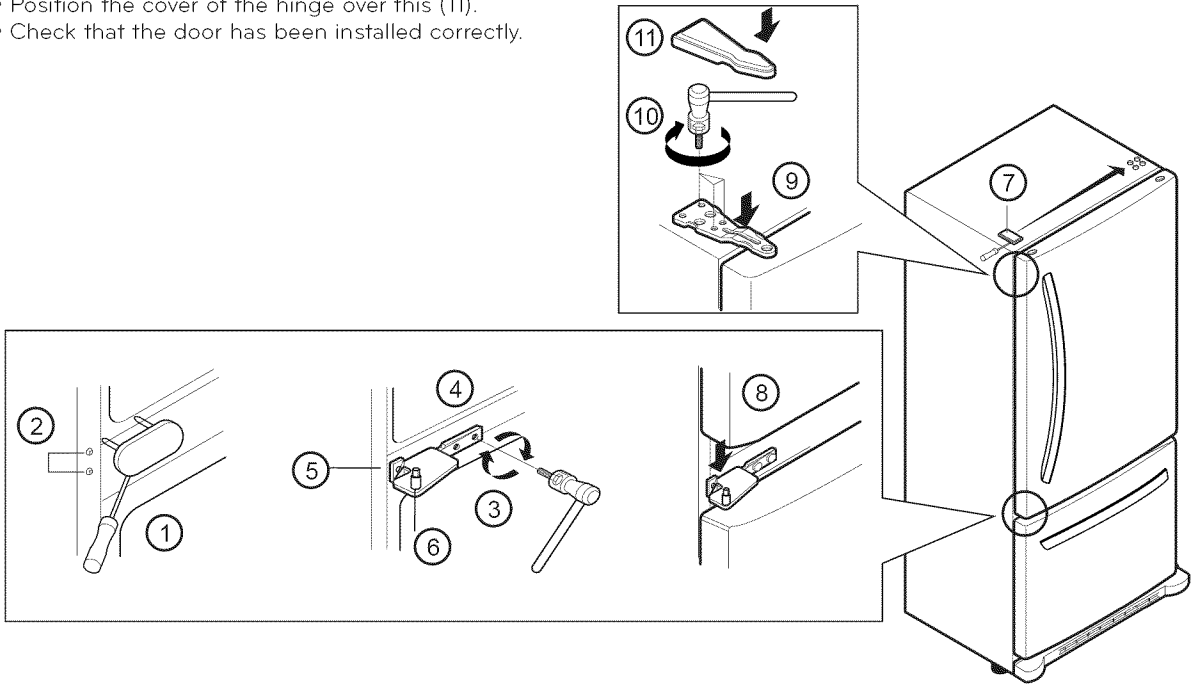


- Install the hinge (10) on the opposite side of the door, replace the screws (11), the stopper (12) and hinge pin (13).

# REFRIGERATOR INSTALLATION

## 2. Installing Refrigerator Door

- Remove the cover (1) using a flat head screwdriver (this requires a little force), loosen the two screws (2) and place on the opposite side.
- Place the hinge (3) on the opposite side and install the four screws (4 & 5).
- Insert the pin (6) in the hinge (3).
- Remove the cover (7) and install it on the right side.
- Place the door and line up with the pin holes (8), making sure that both parts are aligned.
- Place the top hinge (9) and insert the three screws (10).
- Position the cover of the hinge over this (11).
- Check that the door has been installed correctly.

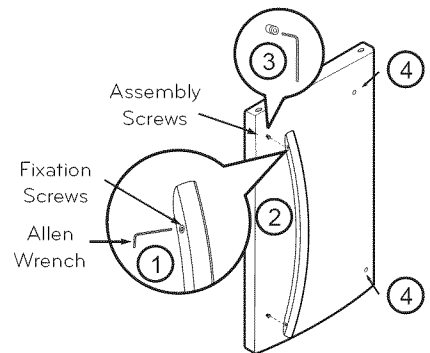


## HOW TO REMOVE THE DOOR HANDLES

**NOTE:** The appearance of the handle may appear different.

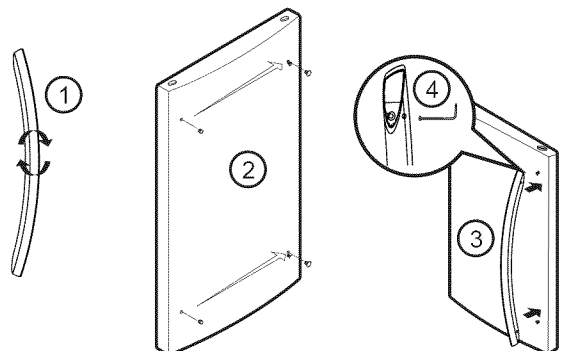
### 3. Removing the Refrigerator Handle

- Loosen the fixation screws (1) with a 3/32 inch Allen Wrench and remove the handle (2).
- Remove the assembly screws (3) with a 1/4 inch Allen Wrench.
- Carefully remove the plug buttons from the door (4). The buttons can be unscrewed using your fingers, turning counter-clockwise. Continue turning until the screw is loose and falls out.
- Install the buttons (4) on the left side.



### 4. Replacing the Refrigerator Handle

- Rotate handle upside down (1).
- Insert the assembly screws on the opposite side of the door (2).
- Hold the handle in place with the holes lined up with the screw holes (3) and tighten the screws (4) in place with the 3/32 inch Allen Wrench.



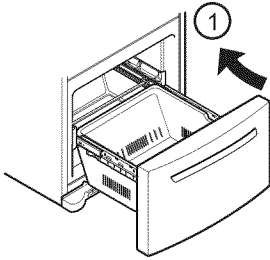
# REFRIGERATOR INSTALLATION

## HOW TO REMOVE AND INSTALL THE PULL OUT DRAWER

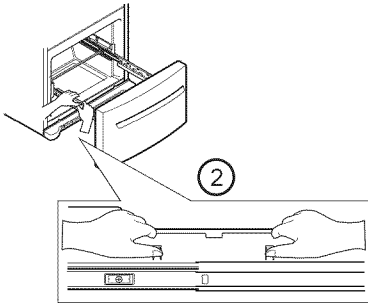
**IMPORTANT:** To avoid possible injury or damage to the product or your property, please use two people to perform the following instructions:

### 1. Removing the Pull Out Drawer

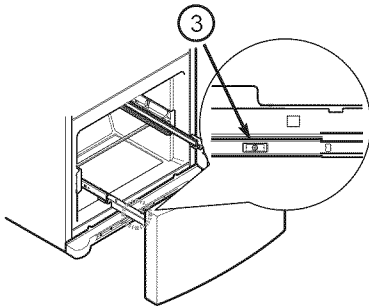
- Pull the drawer out to maximum extension. Remove the bottom rack (1) by tilting it back a little and then lifting it off the railing tracks.



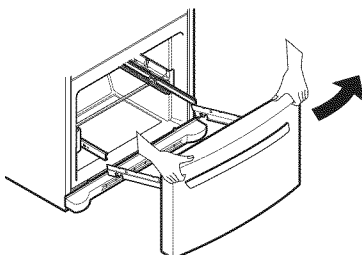
- Put pressure on the two hangers (2) with your thumbs in order to lift it up.
- Separate the left and right rail cover.



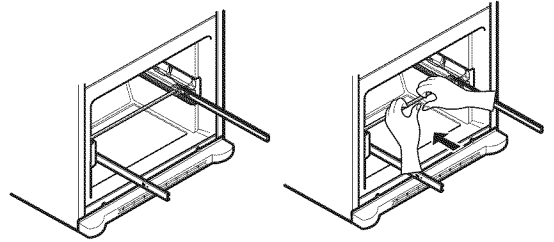
- Remove the screws (3) from both sides of the rail track.



- With both hands, hold both sides of the door and pull up to separate it.



- With both hands, hold the center of the bar and push it in so that it is fit to both rails simultaneously.

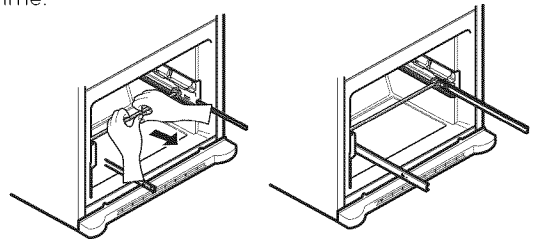


- ⚠ CAUTION:** When removing the drawer, do not hold the handle. If it comes off, it could cause personal injury.

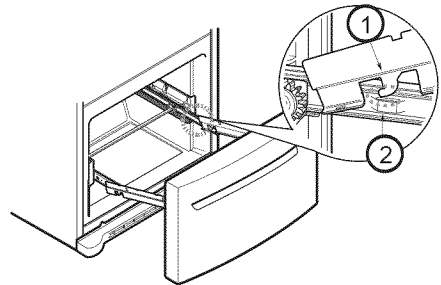
- ⚠ CAUTION:** To place the drawer on the floor, take care not to damage the floor or hurt your feet with the sharp edges on the side with the hinges.

### 2. Installing the Pull Out Drawer

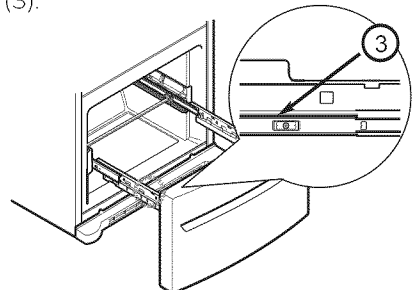
- With both hands, hold the center of the bar and pull it outward so that the two rails extend out at the same time.



- Mount door supports (1) into the tabs on the railing track (2), starting in the back first and then connecting the part in the front last, as shown in the figure.

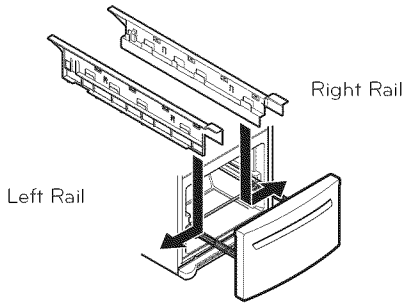


- Push the drawer down into position and tighten the screws (3).

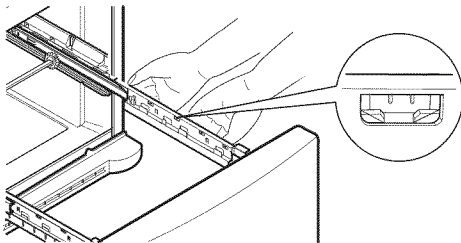
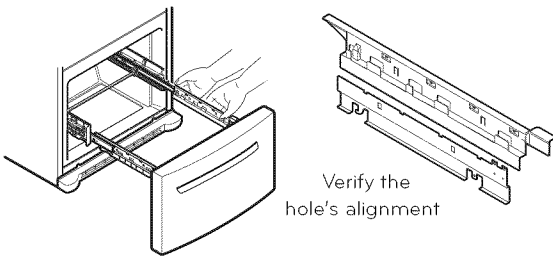


## REFRIGERATOR INSTALLATION

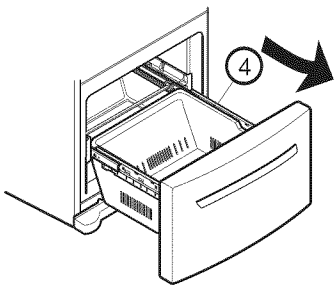
- Compare the left and right rail covers on each side.



- Align the top holes of the rail cover with the top holes of the door supports to mount the cover.



- With the drawer fully extended, insert the lower basket over the front part of the rail assembly and then the back part (4).



**⚠ WARNING:** To prevent entrapment risk and accidental child or animal suffocation, DO NOT permit them to play inside of the drawer.

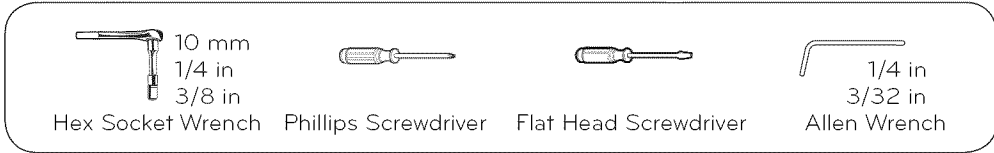
**⚠ WARNING:** DO NOT step or sit on the Freezer Door.

# REFRIGERATOR INSTALLATION

## REFRIGERATOR DOORS: HOW TO REMOVE AND REVERSE (Optional) For Swing models

You may find it more convenient to have the doors converted from the left-opening type (factory installed) to the right-opening type. Directions refer to the right side as your right when facing the unit.

### TOOLS YOU MIGHT NEED OR USE



Other necessary tools are:

- 1/4 inch socket wrench.
- Adjustable Wrench.
- 10 mm open-end wrench.
- Flat 2 inch putty knife.

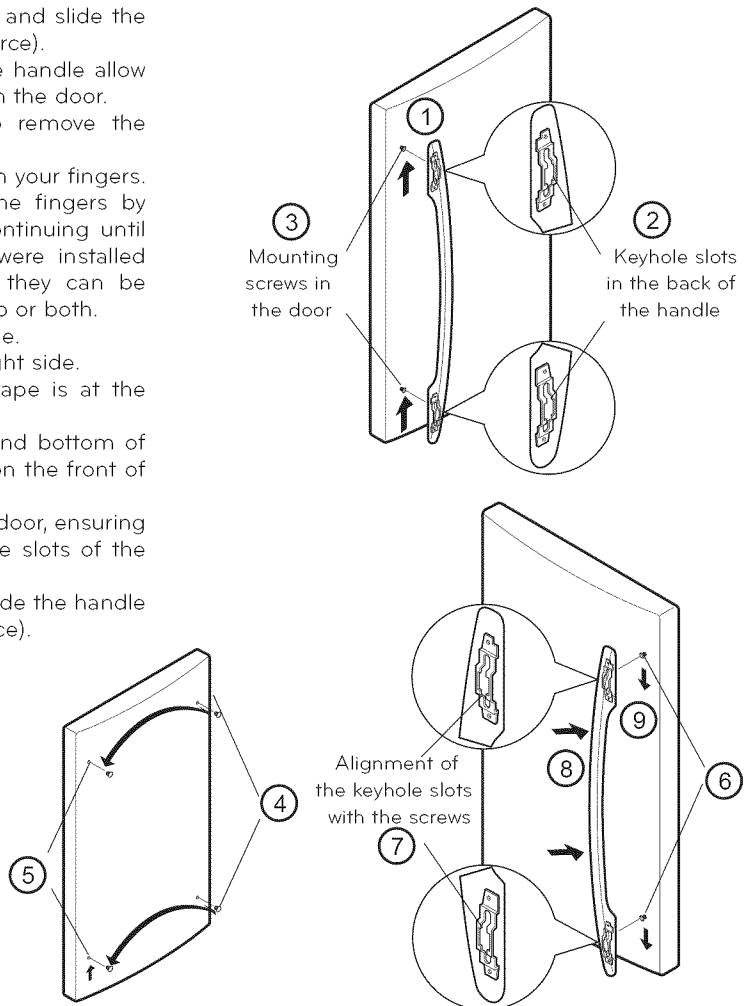
**IMPORTANT:** Before you begin, unplug the refrigerator or disconnect the power source. Remove all food and any adjustable racks from the refrigerator doors.

### REVERSING DOOR OPENING DIRECTION FROM LEFT TO RIGHT (when you prefer the door to open from the right instead of the left)

#### 1. Removing and Installing the Refrigerator Handles

**NOTE:** To assist in the installation of the handles on the right side, place a piece of masking tape near the top of the handle before removing it.

- Grasp the handle firmly with both hands and slide the handle up (1) (this might require some force).
- The keyhole slots (2) on the back of the handle allow the handle to separate from the screws in the door.
- Use the 10 mm open-end wrench to remove the mounting screws in the door (3).
- Carefully loosen the plug buttons (4) with your fingers. The buttons can be unscrewed with the fingers by rotating them counter-clockwise and continuing until they loosen and fall out. The buttons were installed without pressure, and for this reason, they can be unscrewed using your index finger, thumb or both.
- Install the plug buttons (5) on the left side.
- Install the mounting screws (6) on the right side.
- Hold the handle so that the masking tape is at the bottom.
- Align the keyhole slots (7) on the top and bottom of the back of the handle with the screws on the front of the door.
- Press the handle against the front of the door, ensuring that the screws are inside of the keyhole slots of the handle (8).
- Grasp the handle with both hands and slide the handle downward (9) (this may require some force).



# REFRIGERATOR INSTALLATION

## 2. Removing and Installing the Freezer Handle

**NOTE:** Before beginning, check the handle type of your model.

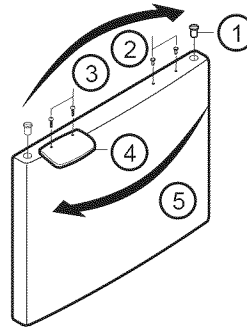
### Handle Type 1

- Remove the cap (1) and two screws (2) with a flat head screwdriver.
- Loosen the two screws (3), remove the handle (4) and install all on the right side.
- Attach the cap and the two screws (that were previously removed) on the left side (5).

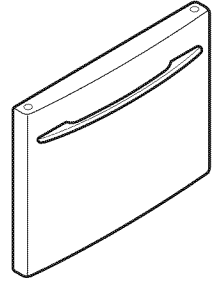
### Handle Type 2

It is not necessary to remove this type of handle.

Handle Type 1

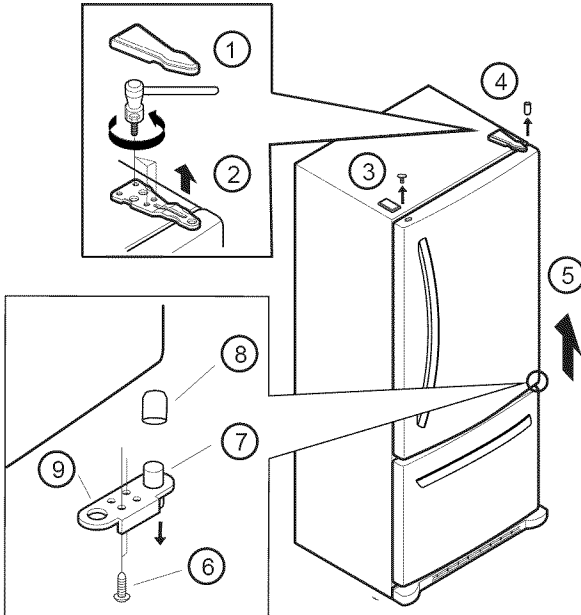


Handle Type 2

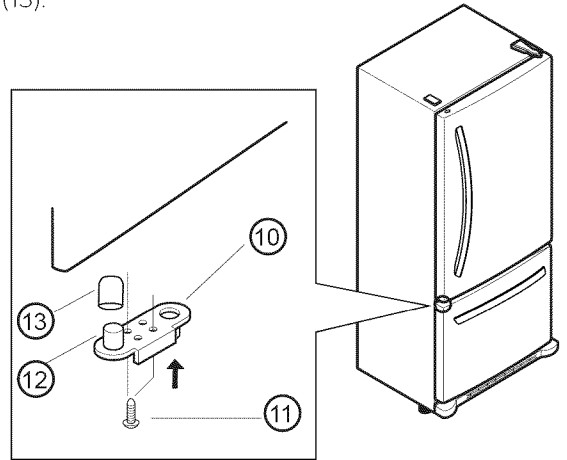


## 3. Removing the Refrigerator Door

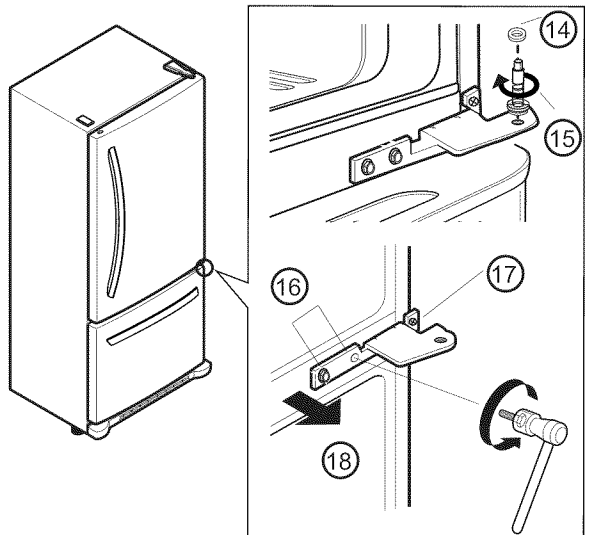
- Gently remove the top hinge cover with a flat head screwdriver (1).
- Using the 10 mm open-end wrench, remove the three bolts and raise the top hinge and place aside (2).
- Remove the pivot (3) and the cap (4), place them in the opposite side (the cap will be placed in the right side and the pivot on the left side).
- Slightly raise the refrigerator door (5) and remove it.
- Once the door has been taken off, remove the screws (6), the bolt (7) and the pivot (8) located below this and remove the hinge (9).



- Install the hinge (10) on the opposite side of the door, replacing the screws (11), the bolt (12) and the pivot (13).



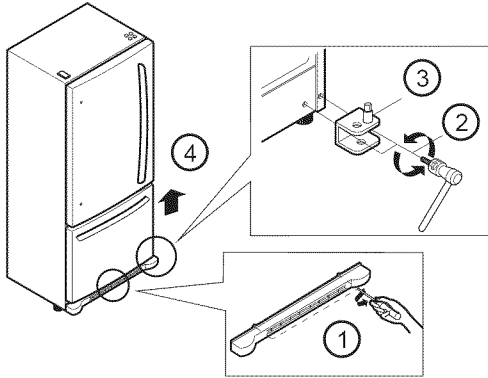
- Take off the washer (14).
- Using the 1/4 inch hex socket wrench loosen the pin (15) and remove.
- Remove the screws (16 & 17) and the hinge (18).



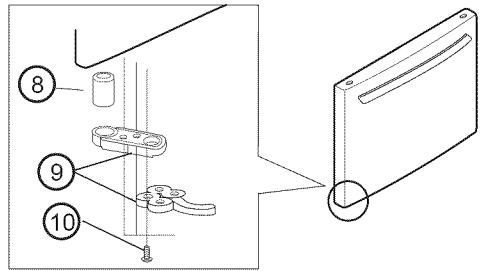
# REFRIGERATOR INSTALLATION

## 4. Removing the Freezer Door

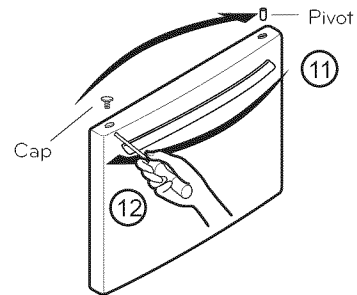
- Before beginning, make sure you completely remove the refrigerator door.
- Loosen the two screws from the base grille and remove (1).
- Loosen and remove the two screws (2) and the pin (3).
- Raise and remove the freezer door (4) and set aside.



- Reinstall the pivot (8), the bolt (9) and screws (10) on the bottom left side of the door.

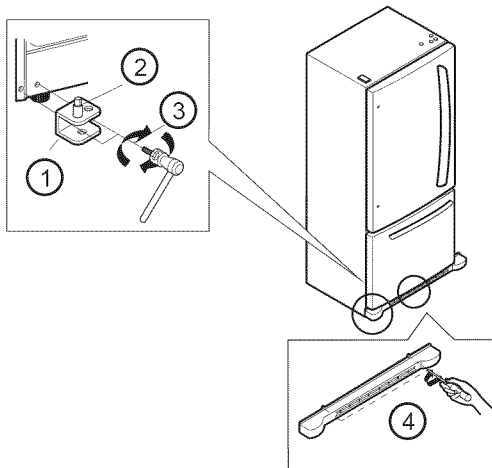


- On the top part of the door, you will find a cap (11) and a pivot (12). Remove them with a flat head screwdriver and install them on the opposite side (the cap stays on the right and the pivot on the left).

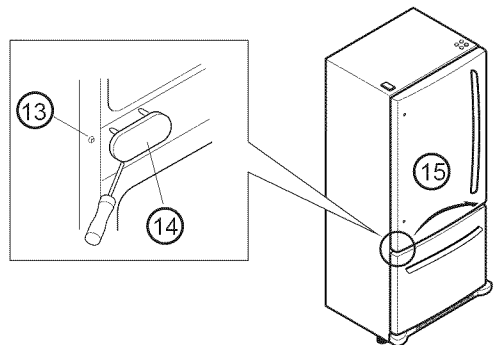


## 5. Installing the Freezer Door

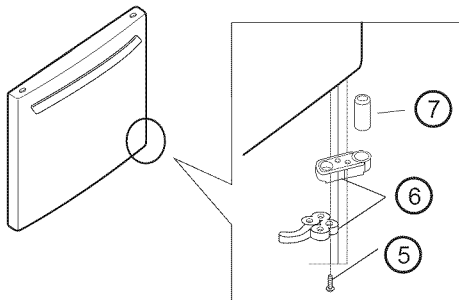
- On the bottom left side, you will find a screw, remove it and re-screw it in on the right side. In the remaining space, place the hinge (1) and connect it with the two screws (2) and the bolt (3).
- Install the base grille (4).



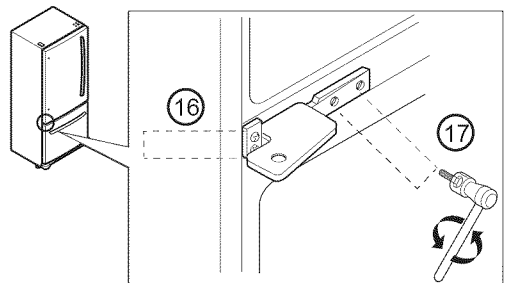
- In the middle section of the refrigerator, you will find a screw (13) and a cover (14). Remove them and reinstall them on the right side (15).



- On the bottom right side of the door, you will find two screws (5), a bolt (6) and 1 pivot (7). Remove them.



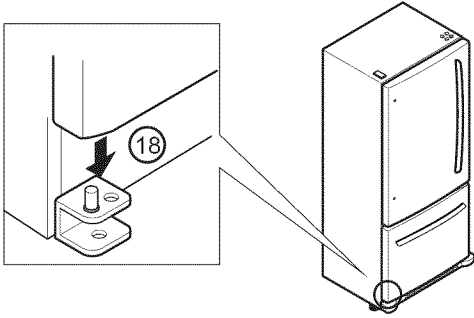
- Place the hinge in the middle part of the refrigerator and install the four screws into the hinge (16 & 17).



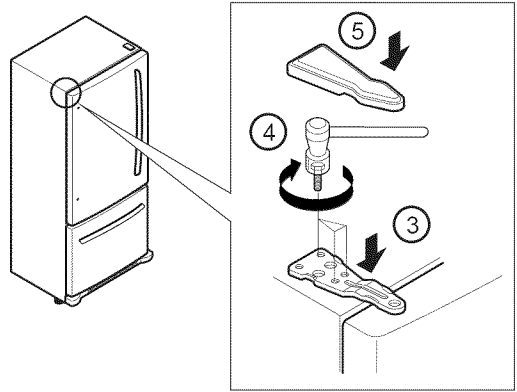


# REFRIGERATOR INSTALLATION

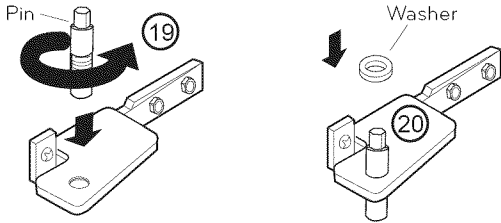
- Take the freezer door and align the pivot holes up with the bolt holes and assemble them (18).



- Install the hinge (3), assemble the three screws (4) and replace the hinge cover (5).



- Insert the pin into the hinge (19). (Ensure that it is between the pivot and the freezer door).
- Replace the washer over the pin (20).



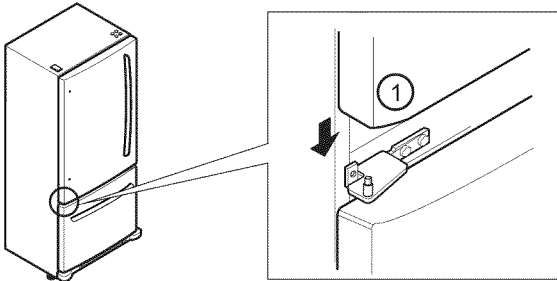
- Check to make sure that both doors close correctly.

## AFTER COMPLETING INSTALLATION

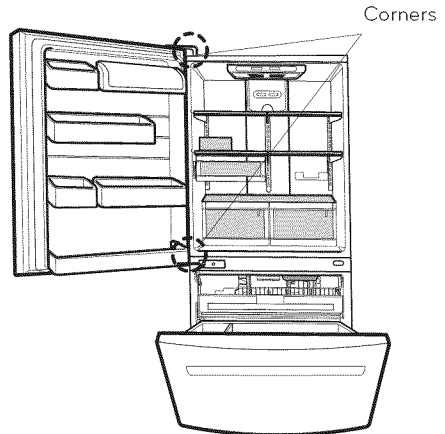
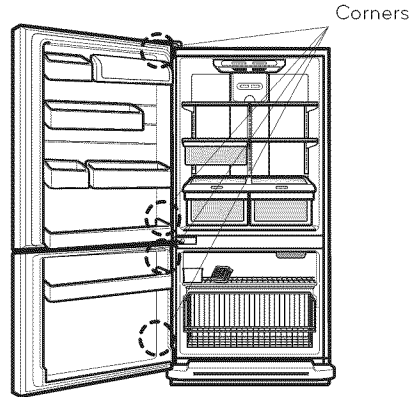
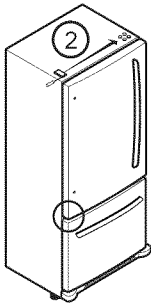
Make sure that the corners of the door seals are not folded over. To ensure a good seal, apply a little silicon grease on them.

### 6. Installing the Refrigerator Door

- Insert the door over the axis of the pin (1).



- Remove the cover (2) and place on the opposite side.



# REFRIGERATOR INSTALLATION

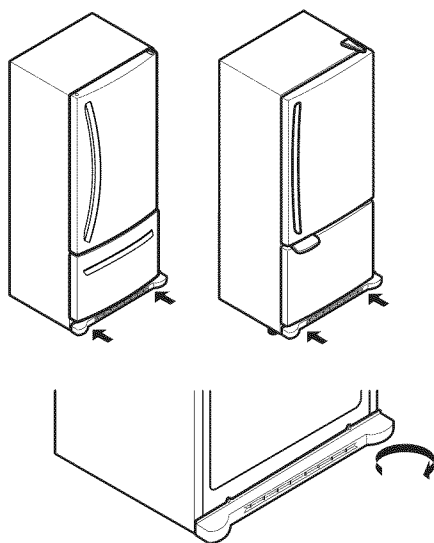
## CLOSING AND ALIGNING THE DOORS

### Closing the Doors

Your refrigerator has two front leveling screws, one on the right and one on the left. If your refrigerator seems unstable or if you would like the doors to close more easily, simply adjust the inclination of the refrigerator by following the instructions below:

1. Plug the refrigerator into a 3 prong grounded outlet. Move the refrigerator into its final position.
2. Remove the base grille (Refer to the section on "Installation of Base Grille").
3. Use a flat head screwdriver to adjust the leveling screws, turning clockwise to raise the side of the refrigerator and counter-clockwise to lower it. It may take several turns to adjust it to the inclination you would like.

**NOTE:** Having someone push against the top of the refrigerator takes some weight off the leveling screws. This will make it easier to adjust the screws.



4. Open both doors again and check to make sure that they close easily. If not, slightly tilt the refrigerator further back by turning both leveling screws clockwise. It may take several more turns. Make sure that you turn both leveling screws the same amount.
5. Ensure that the refrigerator is even by using a level.
6. Replace the base grille.

### Aligning the Doors

If the spacing between the doors is uneven, follow the instructions below to align them:

1. Pry off the top hinge cover.
2. Loosen the screws from the top hinge using a 10 mm socket or wrench.
3. Have someone help you hold the door in place or place a spacer between the doors while tightening the top hinge screws.
4. Replace the top hinge cover.

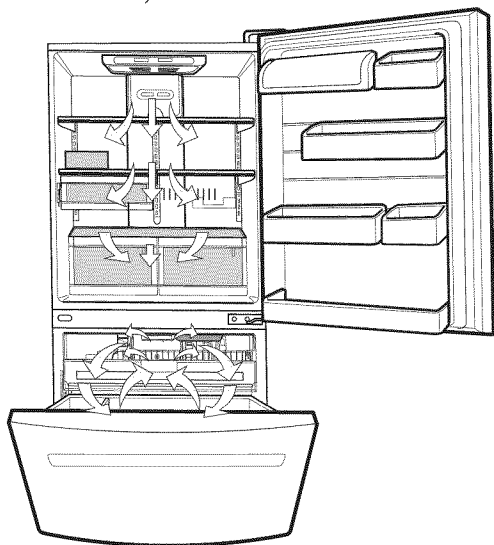
## USING YOUR REFRIGERATOR

### ENSURING PROPER AIR CIRCULATION

In order to obtain stable temperature, the air must flow between the freezer and refrigerator sections. As shown in the illustration below, the cold air enters through the bottom part and circulates upward. This air returns below the freezer floor and the rest of the air enters the refrigerator section through the top vent.

### MULTI FLOW

The cooling fan operates more powerful and effective than when in normal operation. This is especially noticeable when new food is placed in the refrigerator compartment. If the lining is damaged, water or other substances could enter through the cool air vent causing decreased efficiency.



**Do not** block any of these vents with packages of food. This can interrupt the flow of air and cause temperature and moisture problems.

**IMPORTANT:** Because air circulates between both sections, any odors formed in one section will transfer to the other. You must thoroughly clean both sections to eliminate odors. To prevent odor transfer and drying out of food, make sure you wrap or cover foods tightly (See the **"Food Storage Guide"** section for details).

### DOOR ALARM

With this feature you will hear an alarm when the freezer or refrigerator door is ajar for more than 1 minute. These tones will repeat every 30 seconds. The alarm is cancelled when the door is properly shut.

### ADJUSTING THE CONTROLS

- Your refrigerator has two controls that allow you to regulate the temperature the freezer and refrigerator compartments.
- Initially set the REFRIGERATOR CONTROL and the FREEZER CONTROL at position number "4". Leave it on these settings for 24 hours (one day) in order to stabilize the refrigerator. After this you may adjust the compartments to your desired temperature.
- Refrigerator Control: Position 1 to 7 (32 °F to 47 °F or 0 °C to 8 °C)**

The lower the degree, the colder the refrigerator compartment will become.



- Freezer Control: Position 1 to 7 (-6 °F to 9 °F or -21 °C to -13 °C)**

The lower the degree, the colder the freezer compartment will become. Despite this, the compartment of the refrigerator will be less cold because air flows in smaller quantities.

#### • Ice Plus

Press the button Ice Plus. The LED light will turn on. This function will remain activated for 24 hours and intensify the cooling speed of the freezer and increase ice production.



## USING YOUR REFRIGERATOR

### ADJUSTING CONTROL SETTINGS

Give the refrigerator time to cool down completely before adding food. It is best to wait 24 hours before adding food to the refrigerator. The mid-settings indicated in the previous section should be correct for normal household refrigerator usage. The controls are set correctly when milk or juice is cold to your liking and ice cream is firm.

The refrigerator control functions as the thermostat for the entire appliance. The higher the number setting, the longer the compressor will run to keep the temperature colder. The freezer control adjusts the cold air flow from the freezer to the refrigerator. Setting the freezer control to a lower temperature keeps more cold air in the freezer compartment to make it colder.

If you need to adjust the temperature in the refrigerator or freezer, begin by adjusting the refrigerator first. Wait 24 hours after the refrigerator adjustment to check the freezer temperature. If it is too warm or too cold, then adjust the freezer control as well.

Use the settings listed in the table below as a guide.

CONDITION/REASON:	RECOMMENDED ADJUSTMENT:
<b>REFRIGERATOR section is too warm</b> <ul style="list-style-type: none"> <li>Opening the door often</li> <li>Adding a large amount of food</li> <li>Room temperature is very warm</li> </ul>	<b>Adjust the REFRIGERATOR setting to the next highest number and wait 24 hours, then check.</b>
<b>FREEZER section is too warm/ ice is made too slowly</b> <ul style="list-style-type: none"> <li>Opening the door often</li> <li>Adding a large amount of food</li> <li>Room temperature is very low (not cycling often enough)</li> <li>Using ice frequently</li> <li>Air vents blocked by objects</li> </ul>	<b>Adjust the FREEZER setting to the next highest number and wait 24 hours, then check.</b>  <b>Remove any objects blocking air flow.</b>
<b>REFRIGERATOR section is too cold</b> <ul style="list-style-type: none"> <li>Controls not set correctly for your conditions</li> </ul>	<b>Adjust the REFRIGERATOR setting to the next lowest number and wait 24 hours, then check.</b>
<b>FREEZER section is too cold</b> <ul style="list-style-type: none"> <li>Controls not set correctly for your conditions</li> </ul>	<b>Adjust the FREEZER setting to the next lowest number and wait 24 hours, then check.</b>

### FOOD STORAGE GUIDE

ITEMS	HOW TO STORE
<b>Storing Fresh Food</b>	Wrap or store food in the refrigerator in airtight and moisture-proof material unless otherwise noted. This prevents food odor and taste transfer throughout the refrigerator. For dated products, check date code to ensure freshness.
<b>Butter or margarine</b>	Store opened butter in a covered dish or in a closed compartment. When storing a larger quantity, wrap in freezer packing and freeze.
<b>Cheese</b>	Store in original packaging until you are ready to use it. Once opened, tightly rewrap with plastic wrap or aluminum foil.
<b>Vegetables with skins (carrots, peppers)</b>	Place in bags or plastic containers inside the crisper.
<b>Fruit</b>	Wash and let dry; store in plastic bags in the refrigerator. Do not wash or pit berries until you are ready to eat them. Berries should be selected and kept in their original packaging (if there is any) or in a paper bag closed halfway and set on a shelf.
<b>Leafy Vegetables</b>	Remove original packaging and trim any dirty or discolored parts. Wash in cold water and drain. Place in a plastic bag or plastic container and store in the crisper.
<b>Fish</b>	Consume fish or seafood the same day purchased.
<b>Chef Fresh</b>	Store any meat in original airtight, moisture-proof packaging. Rewrap if necessary.
<b>Leftovers</b>	Cover leftovers with plastic wrap or aluminum foil. Plastic containers with airtight lids can also be used.

### STORING FROZEN FOOD

**NOTE:** For more information on how to prepare food to be frozen such in a way to see the period they can be stored consult a frozen food guide or cook book.

#### Packaging

A great freezing depends on how great you package the food. When you seal the package make sure you remove all excess air and do not allow humidity. A package that is incorrectly sealed will result in the transmission of bad odors, contaminants inside your refrigerator and will cause your foods to dry.

# USING YOUR REFRIGERATOR

## Packaging Recommendations:

- Use sealed plastic containers.
- Use plastic containers with a smooth surface.
- Package with aluminum foil of high resistance.
- Wrap with paper layered with plastic.
- Use water proof plastic.
- Use recommended plastic bags to store frozen foods.

Follow these packaging or container instructions in order to reach the best freezing.

## Do not use:

- Bread Wrapping.
- Plastic container not safe for storing.
- Containers without lids or seals.
- Waxed paper or waxed plastic.
- Thin wrapping paper or not water proof.

## Freezing

**IMPORTANT:** Do not keep bottles in the freezer compartment, they may explode after freezing and cause damage.

For the maximum use of your freezer do not store excess food. Do not introduce a large amount of unfrozen foods that cannot be frozen within 24 hours (no more than 2 - 3 pounds or ,91 kg - 1,36 kg of food per square inch of space in the freezer). Sufficient space must be left in order for the air to circulate properly around the packages. Leave enough space in order to close your refrigerator with out difficulty.

Storage times can vary depending on the type and quality of the food, the way its package, or packaging container used, (in comparison to air and humidity), and the temperature it being stored in. Ice crystals formed inside your package are normal it indicates the air and humidity inside your package have condensed.

**NOTE:** Let warm foods cool off at room temperature for approximately 30 min, then wrap accordingly with the methods mention above and freeze. By letting your warm foods cool off before you introduce them to your freezer it will save you energy.

## ⚠ WARNING

### SUFFOCATING DANGER

Adequate ventilation is required when using dry ice. Dry ice is Carbon Dioxide. When it evaporates it produces oxygen, causing dizziness, slight headaches, unconsciousness or death. Do not inhale these vapors and properly ventilate the room while you use dry ice.

## REFRIGERATOR SECTION

### REFRIGERATOR SHELVES

The shelving of your refrigerator can be adjusted to comply with your storage necessities; depending on the model you have in can include glass shelving or wired shelving. The storing of your foods together and adjusting the shelving to different heights will ease to help you locate what you need. This also helps your refrigerator to stay shut longer which will save you energy.

**IMPORTANT:** While your refrigerator glass shelving are cold do not clean with hot or warm water. The glass shelving may break if exposed to rapid temperature changes or hard impacts. For your safety the glass shelving are made out of tempered glass so when at breaking they will fracture into tiny fragments.

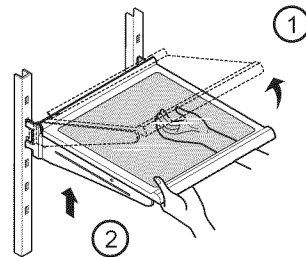
**NOTE:** Be careful while moving or relocating the shelves they are heavy. If moving the shelves is required keep in mind to locate them in a safe environment to prevent them from breaking.

### Adjusting Shelves

Remove the shelves and adjust them to your convenience.

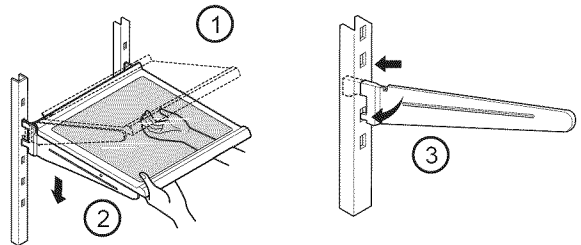
#### • Removing Shelves

Incline the front of the shelf in the direction indicated by figure 1 and lift in the direction indicated by figure 2. Pull the shelf towards you.



#### • Replacing Shelves

Incline the frontal part of the shelf (1) and guide the shelf hooks towards the openings at the height desired. Then lower the front of the shelf (2) so the hooks can be inserted (3) in the shelf supports.



**NOTE:** Make sure that the shelf is installed in the horizontal manner. If not secured it can cause the shelves to fall, which will cause your stored food to spill.

# USING YOUR REFRIGERATOR

## Sliding Shelves (in some models)

You can slide some of the shelves in your refrigerator towards inside or outside like explained below.

- To slide the shelf towards the outside: Pull towards you, figure A.
- To slide the shelf towards the inside: Push until it stops, figure B.

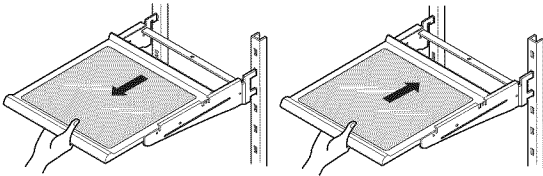


Figure A

Figure B

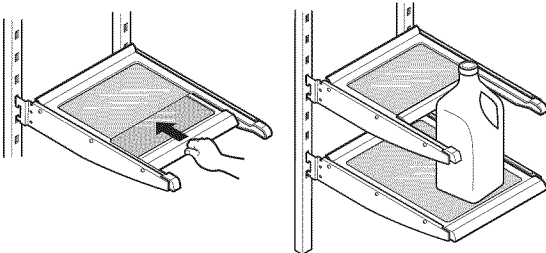
## In order to remove a shelf from a metal frame

- Pull the shelf until it stops.
- Incline the front of the shelf towards the top and pull forward.
- Lift the shelf in the manner it moves across the support openings.

To put back into place just reverse these steps.

## Functional Shelves (Folding Shelves, in some models)

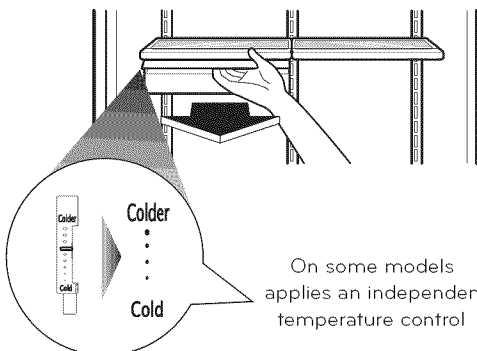
You can store tall articles like gallons or bottles just by simply folding the shelf in half.



## FROZEN MEAT COMPARTMENT/ CHEF FRESH SNACK PAN (in some models)

### To remove the Frozen Meat Compartment

- Pull the frozen meat compartment forward while holding it with your other hand, slightly lift and pull.
- To replace the frozen meat compartment just follow the steps in reverse.

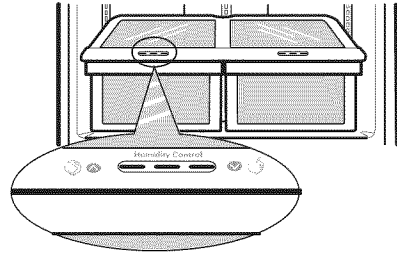


## CRISPER HUMIDITY CONTROL

You can adjust the humidity inside the drawers by adjusting the control in a position between and .

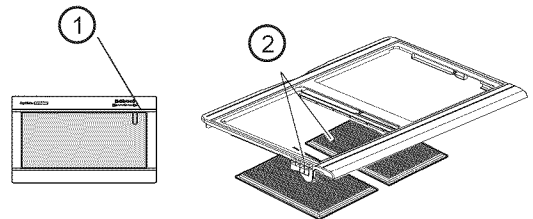
For better preservation of the fruits allow air to leave the vegetable drawer.

For a better conservation of vegetables allow the maximum air in the drawer.



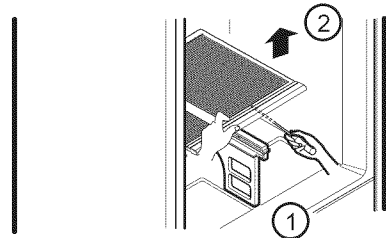
## OPTIBIN CRISPERS

The OptiBin crisper maintains fruits and vegetables fresh allowing you to easily control the humidity inside the drawers. The Optibin crispers include 1) a front humidity control and 2) a system that allows you to preserve or avoid humidity.



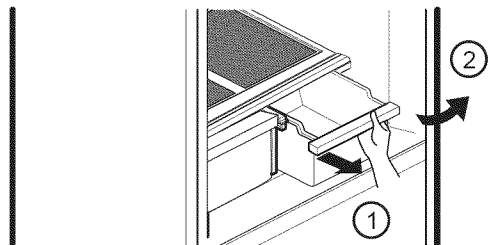
## Removing the glass

- Lift the opening of the drawers and use a flat head screw driver (1).
- Pull towards the top and then out (2).



## Removing the Vegetable Drawer / Crisper

- Slip out the drawer towards the outside until it stops (1).
- Slightly lift the front part and pull the rest (2), in order to completely remove the drawer.
- To relocate the drawer slip out towards the front until it stops.

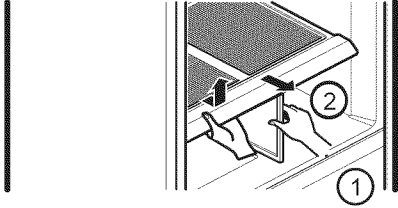


## USING YOUR REFRIGERATOR

### CRISPER COVER WITH INTERIOR LATTICE (in some models)

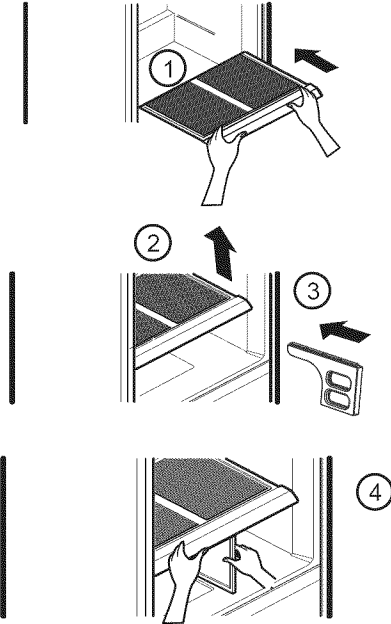
#### Removing the Vegetable Drawer Cover:

- Remove both drawers (see "Removing the Vegetable Drawer/Crisper").
- Hold onto the support (1) and pull towards the top and then towards the outside (2).



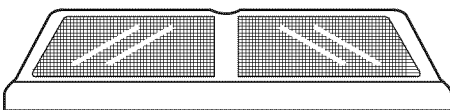
#### Installing the Vegetable Drawer Cover

- Put the cover over the supports (1).
- Slightly lift the cover (2) while introducing it to the support (3).
- Put the inferior piece of the cover in the superior support (4).

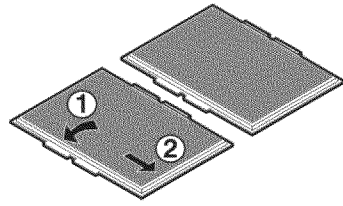


**⚠ CAUTION:** Be careful when you handle the glass cover because it could loose.

#### Removing the Interior Lattice

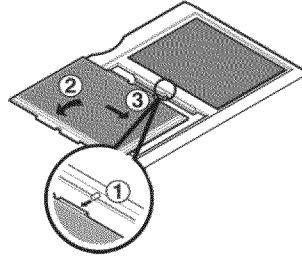


- Remove the cover (See "Removing the Vegetable Drawer Cover").
- Hold the glass and spin the drawer cover (1).
- Hold the rack and pull the sides of the drawer cover out to take them off (2).



#### Replacing the Interior Lattice

- For each rack insert the central edge 1 (near the glass cover) and pull the cover sides to insert it.

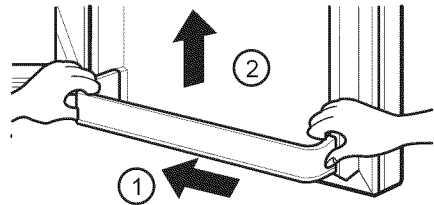


### FIXED REFRIGERATOR RACK

The fixed refrigerator racks is removable for easy cleaning and adjusting.

#### Removing the Fixed Refrigerator Rack

- Remove the content from the rack.
- Press the rack against the door's inner wall (1) and then pull it up (2).

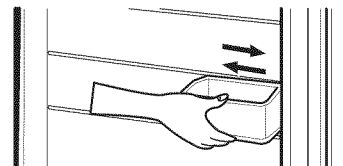


#### Replacing the Fixed Refrigerator Rack

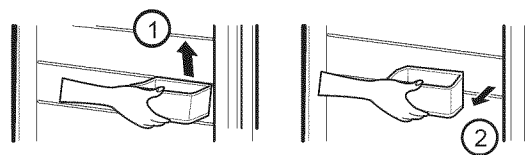
- Hold the rack's edge against the door's inner wall.
- Press the rack until it stays in its position.

### DOOR RACKS

- The racks can be moved along the door.

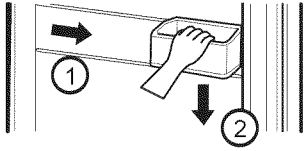


- To remove the rack, raise it (1) and pull it (2).

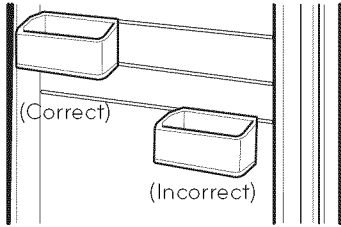


## USING YOUR REFRIGERATOR

- To replace the rack again, slide it on the desirable guide (1) and push it down (2) until it is tighten (You will listen a "tick").



- To move it to the last position, make sure all the racks are well assembled and that they are not loosen.



**⚠ WARNING:** Somebody can be hurt if door racks are not firmly assembled.

**⚠ CAUTION:** DO NOT allow children to play with baskets. Sharp corners on baskets could cause injury.

**NOTE:** DO NOT adjust a rack that is loaded with food.

### DAIRY COMPARTMENT

- Take out the Dairy Compartment, take it from the down side, raise it (1) and pull it out (2) (See Figure A).
- Put the Dairy Compartment, slide it into the selected rail and push down (1) until it is in place (See Figure B).

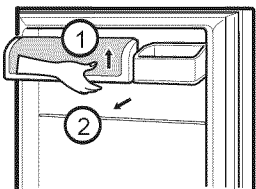


Figure A

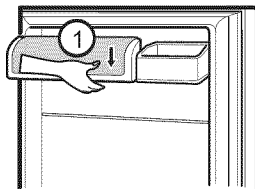
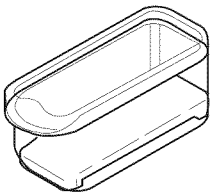


Figure B

### EGG COMPARTMENT (in some models)

Keep the eggs compartment in an interior shelf, not in a door rack.

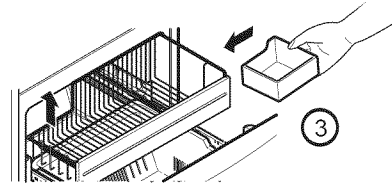
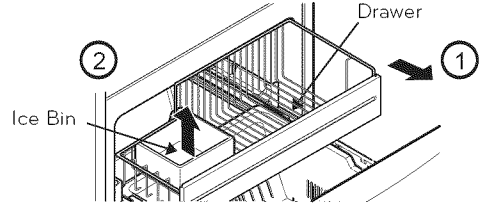


**⚠ CAUTION:** Do not use the eggs compartment as a container for keeping ice in the freezer compartment. If it freezes, it could break easily.

## FREEZER SECTION

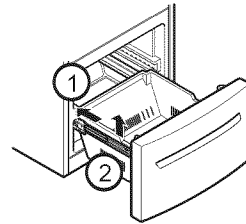
### ICE BIN (in some models)

- Pull the drawer as much as possible (1).
- Raise the ice box and take it out carefully (2).
- Take the drawer off as much as possible and put the ice bin in the right position (3).



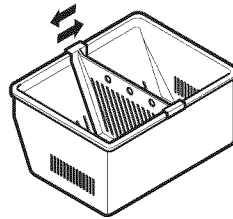
### DURABASE (in some models)

- To remove the Durabase, push it back, raise the front part and pull it up (1).
- To put it back, insert the Durabase in the rail assembly (2).



### DURABASE DIVIDER (in some models)

The Durabase Divider allows organizing the Durabase area in 2 sections.



For moving the divider, just move it in the direction that you want.

**⚠ WARNING:** There is enough space for the children to play.

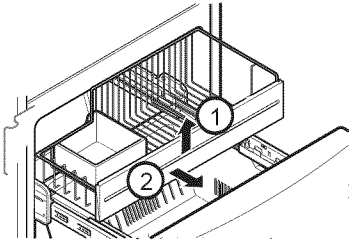
**⚠ WARNING:** In order to prevent accidents, such as suffocation, DO NOT let children and pets play inside the durabase.



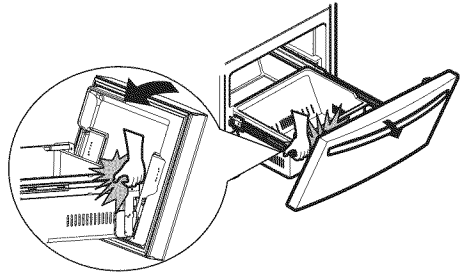
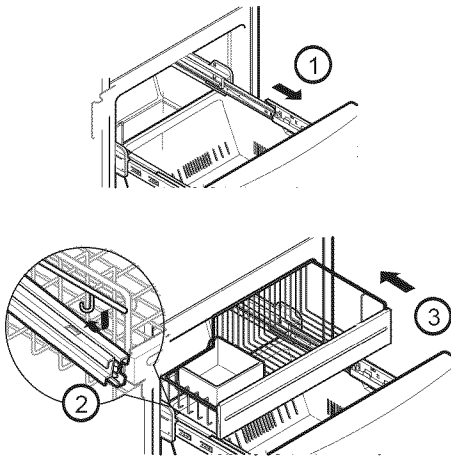
## USING YOUR REFRIGERATOR

### GLIDE-OUT DRAWER BASKET (in some models)

- Pull the box as much as possible, pick up the basket a bit (1) and pull it out (2).



- To install, pull the cords to their fullest (1). Lock the supports of the basket into the slides of the cords (2) and push it all the way through (3).



### WIRED DURABASE (in some models)

- To take the wired durabase off, pull it to its maximum extension (1) incline the frontal part of it a bit (2) and then pull it out (see figure A).
- To install it again, insert the wired database in the frame of rails (1) and push it until the end (2) (see figure B).

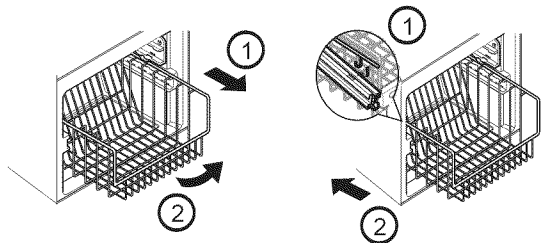
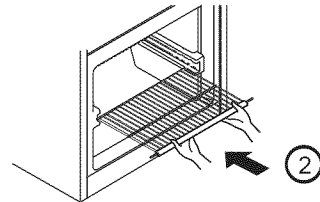
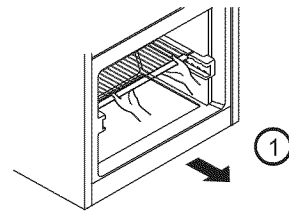


Figure A

Figure B

### FREEZER SHELF (in some models)

- To take the shelf off, hold on to the front part of it and pull it towards you (1).
- To put it back in, just push it back (2).



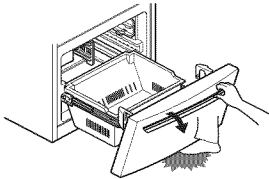
### TILTING DOOR (in some models)

The tilting door provides an easy access to the frozen food.

#### How to use:

Incline the door downwards and pull it out.

- ⚠ **WARNING:** Be careful when opening the door, do not place your feet under the door or your hands inside the freezer; you may hurt them in doing so.



## REFRIGERATOR CARE AND CLEANING

### **⚠ WARNING** EXPLOSION HAZARD



Do not use flammable cleaners. Not following these instructions can cause death, explosion or fire.

The refrigerator, as well as the freezer, do their own de-freezing. This process does not prevent the build up of contaminants, therefore it is suggested that you clean both parts once a month; clean spilled liquids immediately.

### REFRIGERATOR CLEANING

- Unplug your refrigerator.
- Pull out all of the removable parts (such as the vegetable and doors racks).
- Use a clean sponge (or a soft rag) and use it with lukewarm water mixed with detergent. Do not use abrasive or concentrated cleaners.
- Hand wash it, and dry it thoroughly.
- Plug the refrigerator back in.

### OUTSIDE

Wax the outside in order to create better protection. Make sure you use a product specifically design to be used for electro-domestic products (car wax is acceptable). Use a clean, soft rag, and perform this task twice a year. For metal-made refrigerators, do not wax, simply clean it with water and detergent. Do not use concentrated or abrasive products.

**NOTE:** Avoid the usage of chemical products that contain phosphates or bleach.

### INSIDE (Allow freezer to slightly warm up a small degree to prevent cloth from sticking)

In order to eliminate bad odors, clean the inside of the refrigerator with a mixture of baking powder and lukewarm water (one teaspoon of baking powder per cup of water). Ensure that the powder dissolves thoroughly, in order to prevent any sort of damage.

### DOOR LINING AND GASKETS

Use only a mild detergent (such as dish soap).

### PLASTIC PARTS (Covers and Panels)

Do not use abrasive, paper or rough products. These could damage the product.

### BACK COVER

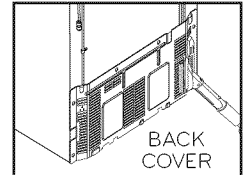
### **⚠ WARNING**

#### ELECTRICAL SHOCK HAZARD

Before you begin, either unplug the refrigerator or turn off power at the circuit breaker or fuse box.

**NOTE:** Back Cover should only be removed by a qualified technician.

In order to get an efficient performance of your refrigerator, clean the back cover of it at least twice a year.



### REPLACING REFRIGERATOR LIGHTS

### **⚠ WARNING**

#### ELECTRIC SHOCK HAZARD

Before replacing a burned-out light bulb, either unplug the refrigerator or turn off power at the circuit breaker or fuse box.

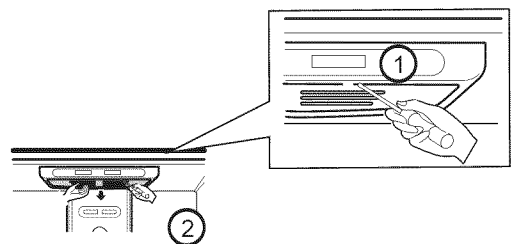
**NOTE:** Moving the control to the OFF position does not remove power to the light circuit.

**NOTE:** Not all light bulbs for electric-domestic products will fit your refrigerator. When replacing them, make sure they are the same size, shape, and of a potency of 40 watts.

**NOTE:** The light bulbs will turn off, if the door of the refrigerator is left open for seven minutes. If the door is closed, the bulbs will turn on again.

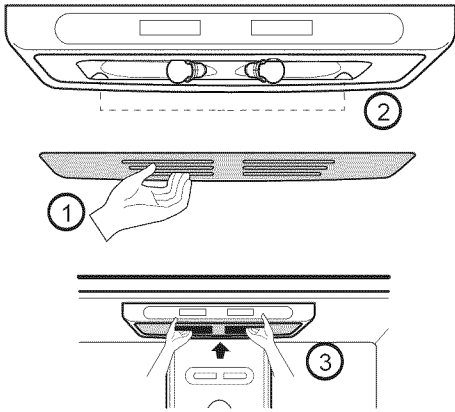
#### Replacing the Refrigerator Light:

- Unplug your refrigerator.
- Pull out all of the shelves.
- Slide a flat screwdriver (1) into the opening of the light bulb, and pull it downwards (2).



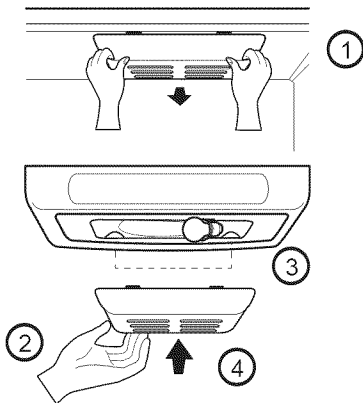
- Turn the bulb counter clockwise and remove it.
- Install the new light bulb.
- Take the cover (1), lock the hooks (2) from the rear part of the light bulb and push it upwards (3).

## REFRIGERATOR CARE AND CLEANING



### Replacing the Freezer light

- Unplug the refrigerator.
- Unlock the cover of the light bulb using your thumbs (1).
- Remove the light bulb and replace it with a new one.
- Take the cover (2), lock the hooks of it (3) and push it upwards (4).
- Plug the refrigerator back in.



### POWER INTERRUPTIONS

1. In case of a black out, call your electric company and ask how long it will last.
2. In case of a 24 hour or less black out, do not open the refrigerator; this will keep the food fresh.
3. In case of a longer black out, do one of the following options:
  - Pull out all of the frozen food and keep them in an ice chest.
  - Put 2 lbs (907 g) of frozen ice (make sure you use gloves) for each square foot (28 L) inside the freezer. This task will preserve the food for 2 to 4 days.
  - In case you do not possess neither ice chest or dry ice, consume your food as soon as possible.

**REMEMBER:** In a power failure, a full freezer stays cold longer than a partially filled one. A freezer full of meat stays cold longer than a freezer full of baked goods. If you see that food contains ice crystals, it may be safely refrozen, although the quality and flavor may be affected. If the condition of the food is poor or if you feel it unsafe, dispose of it.

### WHEN GOING ON VACATION

If you decide to leave your refrigerator on when going away, consider these steps:

1. Consume all of the perishable items and freeze the rest.
2. Empty the ice bin.

If you decide to leave your refrigerator off:

1. Remove all of the food.
2. Unplug your refrigerator.
3. Clean and dry it well.
4. Make sure the doors stay open (use blocks or tape) in order to prevent bad odors and fungi from happening.

### WHEN MOVING

If you decide to take your refrigerator with you when moving, consider the following:

1. Remove all of the food from it, and place the frozen food in an ice chest with dry ice.
2. Unplug your refrigerator.
3. Empty the water from its tray.
4. Clean and dry it with a rag.
5. Pull out all of the removable parts, and wrap them with adhesive tape.
6. Depending on the model of the refrigerator, lift the top part of the refrigerator so it can roll with ease, or screw the levelers so it will not scratch the floor. Consult to the section **"Closing and Aligning Doors"**.
7. Keep the doors closed with the cable glued to the refrigerator cabinet with an adhesive tape.

When your refrigerator arrives to your home, put everything back into place and read the section **"Refrigerator Installation"** in order to obtain installation preparation. In case your refrigerator has a factory ice maker, remember you have to reconnect the water supply.

## ABOUT THE AUTOMATIC ICE MAKER

**NOTE:** The automatic ice maker is only included in some models. Check your specifications of your refrigerator.

### **⚠ WARNING**

#### **PERSONAL INJURY HAZARD**

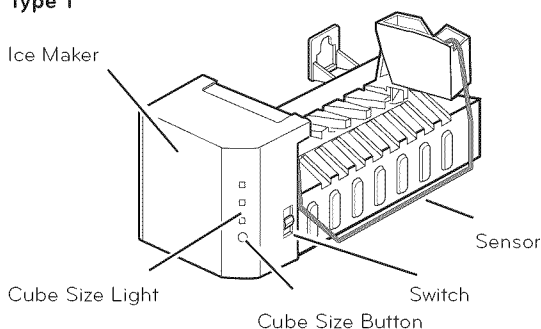
Avoid contact with any moving parts of the ejector mechanism or with the heater that releases the ice cubes. **DO NOT** place your fingers in the automatic ice maker when the refrigerator is plugged in.

### **OPERATING INSTRUCTIONS**

After turning on your refrigerator, the ice will start to be made between 12 and 24 hours.

#### **Identify your ice maker type.**

##### **Type 1**

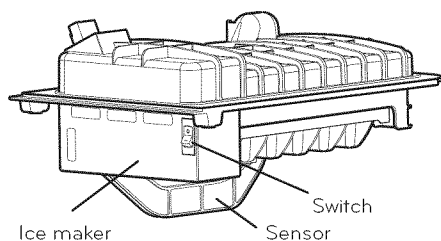


The ice maker produces 8 per cycle (in between 100 and 130 cubes in a 24 hour period), depending on the temperature of the freezer, the times in which the door opens, and other using conditions (amount of food in the freezer, etc).

**NOTE:** If the size of the ice cube is smaller or bigger than what you desire, you can adjust its size by pushing the selective button. This button changes the pressure of the water, which can give considerable results.

Each time you push the selective button, a light will turn on. The bigger the amount that turns on, the bigger the size of the cubes will be.

##### **Type 2**



The ice maker produces 12 cubes per cycle (in between 80 and 100 cubes in a 24 hour period), depending on the temperature of the freezer, the times in which the door opens, and other using conditions (amount of food in the freezer, etc).

If the refrigerator is used before the connection of water to the ice maker was performed, you must turn its dial to **O** (off).

When the water connections are performed, turn its dial to **I** (on).

The ice maker will fill up (and start making ice) between 12 and 24 hours after the refrigerator is turned on.

Throw away the first batch of ice. Make sure that nothing interferes with the sensor.

When the ice reaches the sensor, the ice maker will stop to make ice immediately.

It's normal that some ice gets stuck. If the ice is not used frequently, the older cubes of ice will be opaque in color, smaller, and with a strange flavor.

### **YOU MUST TURN THE SWITCH TO O (OFF)**

- When the water supply is interrupted for many hours.
- When the ice container is left out of its place for more than one or two minutes.
- When the refrigerator will not be in use for various days.

### **NORMAL SOUNDS**

- The valve will emit a buzzing sound when the ice maker is full of water. If the switch is placed in the off position the buzz will still be heard even when the water pipe has not been connected. To avoid this sound, move switch to **O** (off) position.

**NOTE:** The ice maker can get damaged if the switch is kept in the ON position before the water pipe has been connected.

- While the ice maker is filling up with water and producing ice, you will hear the sound of the ice falling and water flowing through the pipes.

### **PREPARING FOR VACATIONS**

Move the ice maker switch to the **O** (off) position and cut the flow of water going into the refrigerator.

If room temperature is at freezing point, have a specialized technician drain the flow of water from the inner pipes (certain models) to avoid broken pipe related damage.

## CONNECTING THE WATER LINE

**NOTE:** It is necessary to have a water source when both water and/or ice dispensers are available in your product.

### BEFORE START

The water source is not guaranteed by the refrigerator manufacturer. Follow instructions carefully in order to reduce damage.

Air located inside the water pipes can cause hammering or tapping causing damage to the inner pipes or water spillage in the inside of the refrigerator. Call a qualified plumber to fix such hammering on the connections before installing the water pipe.

To avoid burn damage or such, never connect refrigerator to hot water pipes.

If you are to use the refrigerator before connecting it to the water source, make sure the ice maker is the off position.

Never attempt to install the ice maker pipes in areas where room temperature is below freezing point.

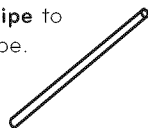
When using any electrical device (like a drill) during the installation, make sure device is doubly isolated or making ground to prevent risk of electrical surge or discharge.

All installations should be done considering local water and drainage requirements.

- If an inverted osmosis water filtration system is connected to the cold water source, the water hose installation is not assured or guaranteed by the refrigerator or automated ice maker manufacturer. Follow the next instructions carefully to minimize costly water related damages.
- When having an inverted osmosis water filtration system connected to the cold-water flow, the water pressure for such system must be at least between 40-60 PSI or 0,27 MPa ( $2,8 \text{ kg} \cdot \text{f} / \text{cm}^2 \sim 4,2 \text{ kg} \cdot \text{f} / \text{cm}^2$ , ( $2,8 \text{ kg} \cdot \text{f} / \text{cm}^2 \sim 4,2 \text{ kg} \cdot \text{f} / \text{cm}^2$ , less than  $2 \sim 3$  seconds to fill a 7 oz of capacity cup [0,2 liters]).
- If the inverted osmosis water filtration system pressure is less than 21 PSI or 0,14 MPa ( $1,5 \text{ kg} \cdot \text{f} / \text{cm}^2$ , more than four (4) seconds to fill a 7 oz of capacity cup [0,2 liters]):
  - a) Identify if the sediments filter in the inverted osmosis system is being blocked. Replace filter if necessary.
  - b) Allow inverted osmosis system storage tank to refill after extensive usage.
  - c) Call a qualified plumber if the inverted osmosis water pressure problem continues.

### REQUIREMENTS

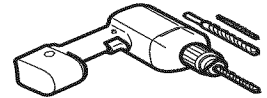
- **1/4" (6,35 mm) in diameter copper pipe** to connect refrigerator to the water pipe. Make sure both terminals are cut in a squared manner.



To determine how much pipe material is needed, measures the distances between the valves located behind the refrigerator and the source of water and add to that 8 feet (2,4 m). Make sure there is sufficient pipe material to allow the free movement of the refrigerator from the wall

- **A cold water source.** Water pressure should be between 0,138 and 0,82 MPa or 20 and 120 PSI for models not containing water filter and between 0,276 and 0,82 MPa or 40 and 120 PSI for models containing water filter.

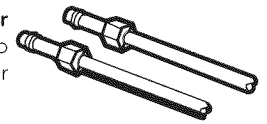
- **A drill.**



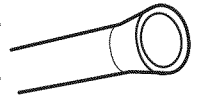
- **Adjustable 1/2" (12,7 mm) key.**

- **Flat and Phillips style (star) screwdriver.**

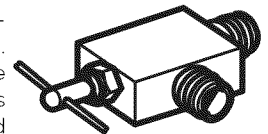
- **Two 1/4" (6,35 mm) diameter compression nuts** with two sides to connect the copper pipe to the refrigerator valve.



If your current copper pipe has some reduction on the ends, it will be necessary to get an adaptor (found in hardware stores) to connect the water line to the refrigerator. It is also possible to cut such reductions with a pipe cutter and use the compression connections mentioned above.



- **Bypass valve** to connect to the cold water line. The valve must have a water opening with an interior 5/32" (3,46 mm) diameter in the cold-water connection point. These valves can be located in any cold-water connection package. Before buying make sure such valve meets local standards and requirements.



### INSTALLATION INSTRUCTIONS

Install the valve to the pipe that you use to drink water. (Connect only to a potable water source).

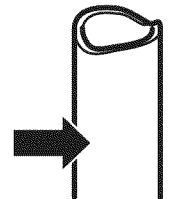
**⚠ CAUTION:** Connect to potable water supply only.

#### 1. CLOSE THE MAIN WATER SOURCE

Open the nearest water faucet to let water flow and empty pipes.

#### 2. SELECT THE LOCATION OF THE VALVE

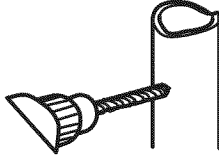
Select the location of the valve that will provide a better access. It is best to connect to a vertical pipeline. When connecting to a horizontal pipeline is necessary, make the connection in the lateral or upper area instead of the lower area to prevent accumulation of sediment.



## CONNECTING THE WATER LINE

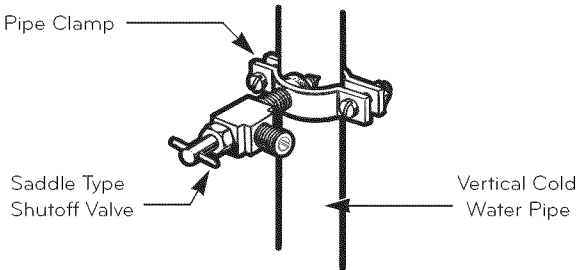
### 3. DRILL A HOLE FOR THE VALVE

Drill a 1/4" (6,35 mm) diameter hole in the water pipeline. Remove jagged edges produced after perforation. Make sure water does not reach the drill. Not performing the 1/4" (6,35 mm) perforation can lead to a low or smaller ice production.



### 4. TIGHTEN THE VALVE

Tight the valve into the cold water pipeline with a tube trap.

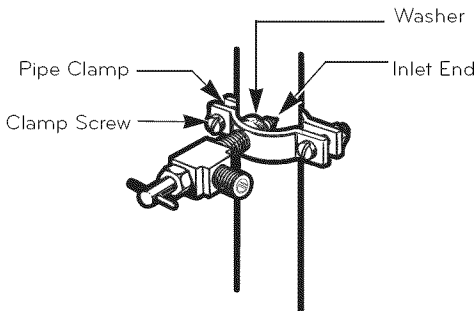


**NOTE:** Codes for 248 CMR pipelines of the state of Massachusetts must be attached to the connection. Valves of this type are banned in Massachusetts. Call an authorized plumber.

### 5. TIGHTEN THE TRAP

Tighten the trap until the sealing ring begins to grow.

**NOTE:** Make sure it is not too tight, this can break the pipe.



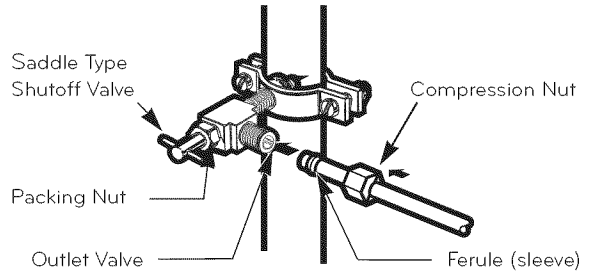
### 6. PLACE THE PIPELINE

Place the pipeline between the cold water pipe and the refrigerator. Place it through a hole in the wall or floor (behind the refrigerator or next to the cabinet) as close to the wall as possible.

**NOTE:** Make sure there is a sufficient amount of extra pipeline (8 feet [244 mm] coiled up three times with a 10" [25 cm] in diameter) to allow free movement of the refrigerator from the wall after installation was made.

### 7. CONNECT PIPELINE TO VALVE

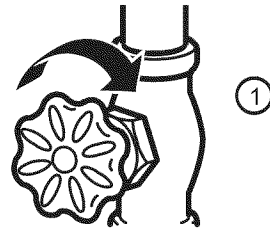
Place the compression nut and the copper pipe ferule at the end of the pipe and connect to the valve. Make sure the pipe is completely inserted into the valve. Tighten nut carefully.



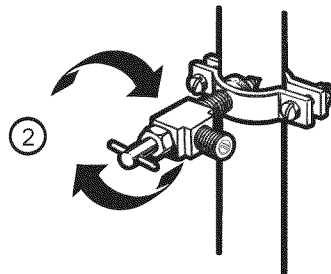
**NOTE:** Codes for 248 CMR pipelines of the state of Massachusetts must be attached to the connection. Valves of this type are banned in Massachusetts. Call an authorized plumber.

### 8. DRAIN THE PIPE

Open the main water source (1) and drain the pipe until water comes out clear.



Allow water flow from the bypass valve (2) and close after draining 1/4 of a gallon (1L) of water.



### 9. CONNECT PIPE TO REFRIGERATOR

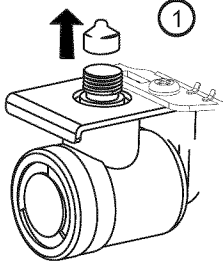
#### NOTES:

- Before making connection to refrigerator, make sure it is not connected to any energy source. If your refrigerator does not have a water filter, it is advised to install one.
- If your water source contains sand or related particles that can travel to the valve, install a water filter near the refrigerator.

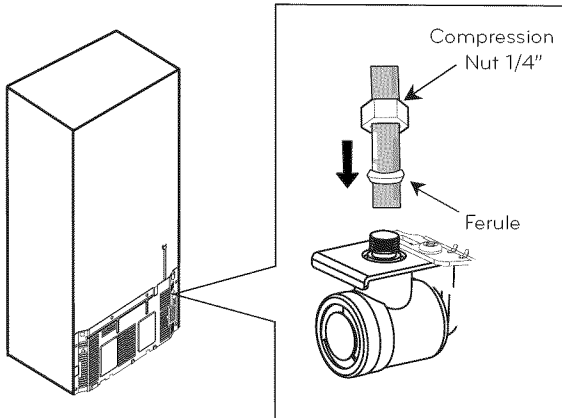
## CONNECTING THE WATER LINE

**IMPORTANT:** Never use old or used hoses. Always use new ones to have a better use and experience. Connect always to a potable water source to avoid security and health issues.

- Remove the ring plug (1) from the valve located at the top of such device.



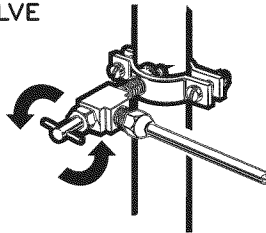
- Place compression nut and the ferule at the end of the pipeline. Insert pipeline into the connection valve as far as possible. Hold tightly while holding pipeline.



Hold on to the pipe from the handles or grabbers located behind the refrigerator, loosening first the bolt holding the handle. Afterwards, insert pipe into the hole and tighten bolt to finalize.

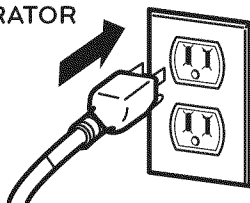
### 10. OPEN THE BYPASS VALVE

Tighten all connections containing leaks. Place access cover back on compressor.



### 11. CONNECT TO REFRIGERATOR

Fix pipeline in a way that it does not vibrate on the refrigerator or wall. Push refrigerator against wall.



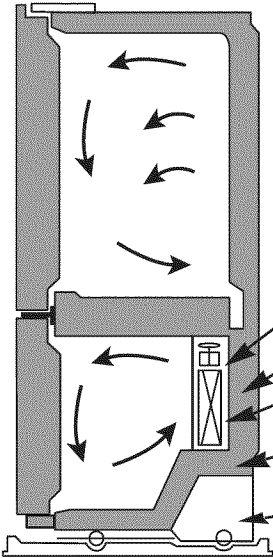
### 12. TURN ICE MAKER ON

Turn ice maker switch into the **ON** position. Ice maker will start only after reaching its operating temperature of 15 °F (-9 °C) or less. It will automatically begin the ice production if switch is located in the **ON** position.

# TROUBLESHOOTING GUIDE

## UNDERSTANDING SOUNDS YOU MAY HEAR

Your new refrigerator might produce certain noises that your previous refrigerator did not. It is normal if you worry. Most of the new sounds you will be hearing are actually normal and expected. Hard surfaces like walls or floor can increase sounds and make them sound louder than they really are. The following list has a description of such sounds along with their causes.



- You will hear a bell sound caused by the flow of the refrigerant, water pipe or objects located on the superior part of the refrigerator.
- Your refrigerator is designed to work efficiently to preserve your food at the desired temperature using the least of energy. You will be able to hear a pulsing sound coming from the ventilators and the evaporator. The speed of the ventilator can speed up when you open the refrigerator door.
- After each cycle you will hear a dripping sound due to the refrigerant liquid in your refrigerator.
- Contraction and expansion of the inner walls can cause a slight popping sound.
- You will hear a dripping sound caused during the thawing cycle.
- During the defrosting cycle the water might cause a dripping sound.
- You can hear some tight air sound over the capacitor caused by the fan.
- Running water can be heard during the defrosting cycle.
- Due to its low energy consumption design of the refrigerator; the fans will remain of, while the on-off switch activated the internal light of bin.

- The thawing timer will make a "click" sound when such timer will start and finish. Temperature controlling device will also make a "click" sound at the beginning and ending of the refrigerator cycle.

Problem	Possible Causes	Solutions
<b>THE REFRIGERATOR WON'T TURN ON</b>	<ul style="list-style-type: none"> <li>• The plug is correctly positioned.</li> <li>• A fuse has gone bad or the circuit presents failures.</li> <li>• The refrigerator is in the defrosting cycle.</li> </ul>	<ul style="list-style-type: none"> <li>• Firmly plug the cord into a live outlet with proper voltage.</li> <li>• Replace the fuse or reset the circuit breaker.</li> <li>• Wait about 30 minutes for defrost cycle to end.</li> </ul>
<b>STRANGE SOUNDS OR SNOOZING/ VIBRATIONS</b>	<ul style="list-style-type: none"> <li>• The refrigerator is not correctly positioned.</li> </ul>	<ul style="list-style-type: none"> <li>• You need to adjust the leveling screws due the floor is unlevelled or weak. Read the <b>Installation</b> section.</li> </ul>
<b>THE LIGHT WON'T TURN ON</b>	<ul style="list-style-type: none"> <li>• The refrigerator is plugged.</li> <li>• The light bulbs are loose.</li> <li>• A light bulb has gone bad.</li> </ul>	<ul style="list-style-type: none"> <li>• Plug the refrigerator in a right voltage plug.</li> <li>• Unplug the refrigerator. Unscrew the Light bulb and screw it again (Read the section <b>Refrigerator Care and Cleaning</b>). Plug again.</li> <li>• Unplug the refrigerator before changing the light bulb. Replace the bulb with a same 40 watts bulb for your local store. (Read the section <b>Replacing Refrigerator Lights</b>).</li> </ul>



## TROUBLESHOOTING GUIDE

Problem	Possible Causes	Solutions
<p><b>IT LOOKS LIKE THE COMPRESSOR MOTOR STAYS ON TOO LONG</b></p>	<ul style="list-style-type: none"> <li>• The replaced refrigerator was an older model.</li> <li>• The room temperature is hotter than usual.</li>   <li>• The door is being opened very often or there has been a big amount of food in storage.</li>   <li>• The refrigerator is plugged and the control has been adjusted correctly.</li> <li>• Doors won't close correctly.</li>   <li>• The condenser pipes are dirty.</li> </ul>	<ul style="list-style-type: none"> <li>• Modern refrigerators with a bigger storage capacity require longer periods of operation.</li> <li>• The motor will continue working when the room temperature is high. The motor might be on between 40% or 80% of the time. In high temperature conditions, the capacitor might run on periods of time.</li> <li>• When adding or opening the door of the refrigerator, it warms it up. It's normal that the refrigerator to run more than usual in order to cool the bins. (Read the section <b>Food Storage Guide</b>). To save energy, take what you need at once, order your food in order so it can be easily found and close the door immediately soon after you took out the food.</li> <li>• The refrigerator will take 24 hours to cool down completely.</li> <li>• Push firmly the Doors. If they don't close. Read <b>Doors will not close completely</b> below.</li> <li>• This will stop the air transfer and marked the motor to work longer and harder. Clean the pipes of the condenser.</li> </ul>
<p><b>DOORS WILL NOT CLOSE COMPLETELY</b></p>	<ul style="list-style-type: none"> <li>• The refrigerator is not leveled.</li> <li>• The food packages are blocking the doors.</li> <li>• The ice bin, the vegetable bin, the panels and the shelves from the door are out of place or position.</li> <li>• The gaskets are sticking.</li>   <li>• The refrigerator wobbles or looks instable.</li> <li>• The doors were removed during the installation and they weren't properly setup.</li> </ul>	<ul style="list-style-type: none"> <li>• Read <b>Refrigerator Installation</b> section to level refrigerator.</li> <li>• Adjust the food bins in order to free space between the doors and the shelves.</li> <li>• Push the containers and place the vegetable cover lid, the panels, shelves and any other container or bin in their right positions. Read the section <b>Using your Refrigerator</b>.</li> <li>• Clean the seal rings and the surface they might be in contact with. Use a piece of cloth with a small amount of paraffin and apply it over the seal rings.</li> <li>• Level the refrigerator. Read the section <b>Closing and Aligning the Doors</b>.</li> <li>• Remove and place again the door according to the section <b>Refrigerator Doors: How to remove and reverse</b>.</li> </ul>
<p><b>THERE'S ICE ON THE FOOD</b></p>	<ul style="list-style-type: none"> <li>• The door hasn't been closed completely.</li> <li>• The door is frequently opened.</li> </ul>	<ul style="list-style-type: none"> <li>• Read <b>Doors Will not Close Completely</b> already mentioned.</li> <li>• When the door is opened, warm, humid air is allowed in the freezer resulting in frost.</li> </ul>
<p><b>THERE IS A WEIRD TASTE AND SMELL IN THE ICE</b></p>	<ul style="list-style-type: none"> <li>• The ice maker has been installed correctly.</li> <li>• The ice has been on storage too long.</li> <li>• The food hasn't been packed in the correct way.</li> <li>• The water supply contains mineral and sulfur.</li> <li>• The inside of the refrigerator need cleaning.</li> <li>• The ice bin needs cleaning.</li> </ul>	<ul style="list-style-type: none"> <li>• Don't use the first ices made.</li> <li>• Dispose of that old ice and make new.</li> <li>• Pack again the food because it can transfer odors and tastes to the ice.</li> <li>• You might need to install a filter in order to eliminate the odors and taste problems.</li> <li>• Read the section <b>Refrigerator Care and Cleaning</b>.</li> <li>• Empty the bin and discard the old ice cubes.</li> </ul>
<p><b>THERE'S WATER IN THE DRAINING BIN</b></p>	<ul style="list-style-type: none"> <li>• The refrigerator is in defrosting cycle.</li> <li>• It's more humid than usual.</li> </ul>	<ul style="list-style-type: none"> <li>• The water will evaporate. It is normal that some water falls on the bin.</li> <li>• It might take a while for the water to evaporate. This is normal when the weather is hot and humid.</li> </ul>

## TROUBLESHOOTING GUIDE

Problem	Possible Causes	Solutions
<b>THE REFRIGERATOR SEEMS TO MAKE TOO MUCH NOISE</b>	<ul style="list-style-type: none"> <li>The sounds may be normal for your refrigerator.</li> </ul>	<ul style="list-style-type: none"> <li>Refer to the <b>Understanding Sounds You May Hear</b> section.</li> </ul>
<b>THE ICE MAKER IS NOT PRODUCING ICE OR ICE CUBES ARE FREEZING TOO SLOWLY</b>	<ul style="list-style-type: none"> <li>The smallest size of ice cubes is selected.</li> <li>Door left open.</li> </ul>	<ul style="list-style-type: none"> <li>Wait 24 hours after hook-up for ice production. See the <b>Adjusting the Controls</b> section.</li> <li>Check to see if something is holding the door open.</li> </ul>
<b>THE ICE CUBES ARE TOO SMALL</b>	<ul style="list-style-type: none"> <li>Smaller cube size level is selected.</li> <li>The water supply valve is blocked.</li> </ul>	<ul style="list-style-type: none"> <li>Select a bigger size for the ice cubes.</li> <li>Call a plumber to clean the valve.</li> </ul>
<b>THE DOORS ARE HARD TO OPEN</b>	<ul style="list-style-type: none"> <li>The gaskets are dirty or sticky.</li> <li>The door opens itself as soon as you close it.</li> </ul>	<ul style="list-style-type: none"> <li>Clean the gaskets and surface that they are in contact with. Use a damp cloth with paraffin also apply over the seal rings.</li> <li>When you open the door, the warm air enters in the refrigerator. When this air is cooled down it occupies less volume and creates a vacuum effect. If it is difficult to open wait 5 minutes then check.</li> </ul>
<b>THE ICE MAKER DOES NOT WORK</b>	<ul style="list-style-type: none"> <li>The ice maker is off.</li> <li>The water supply is down or not plugged.</li> <li>The freezer temperature is warm.</li> <li>The ice cubes turn off the ice maker.</li> </ul>	<ul style="list-style-type: none"> <li>Turn the ice maker to the position on (I).</li> <li>Read the section <b>Connecting the Water Line</b>.</li> <li>Wait 24 hrs for the freezer to reach its ideal temperature.</li> <li>Hand level the ice cubes.</li> </ul>
<b>THE TEMPERATURE IS TOO HOT OR THERE'S HUMIDITY FORMED INSIDE THE REFRIGERATOR</b>	<ul style="list-style-type: none"> <li>The air vents are blocked. The cool air flows from freezer to the refrigerator and returns thru the vents that dive this section.</li> <li>The doors open very easily.</li> <li>The refrigerator control has not been adjusted for the room conditions.</li> <li>A large amount of food is just been placed inside the refrigerator.</li> <li>The food has not been well packed in each bin.</li> <li>The doors haven't been closed correctly.</li> <li>The weather is humid.</li> <li>The auto-defrosting cycle is over.</li> </ul>	<ul style="list-style-type: none"> <li>With your hand find the vents and move and package that might be blocking the air flow. See the <b>Multi Flow</b> Section.</li> <li>When the doors are opened the warm and humid air enters. To keep your refrigerator cool, take what you need once and you're your food organized to make it easy to find. Close the door a soon as you can.</li> <li>Wait 24 hours to stabilize the temperature. If the temperature is cold or hot, move the control until the desire temperature is reached.</li> <li>After adding food to the refrigerator this will warm up. It might take some hours for the refrigerator to reach its temperature.</li> <li>Wrap the food evenly and before packing anything dry all the bins to avoid humidity. If it is necessary, pack the food according to the section <b>Food Storage Guide</b>.</li> <li>Read <b>Doors will not Close Correctly</b> section.</li> <li>In humid weathers, the air contains humidity, which introduces it self if the doors are opened.</li> <li>It's normal that some water props get formed after the defrosting cycle is completed.</li> </ul>



LG Customer Information Center

1-800-243-0000 USA, Consumer User  
1-888-865-3026 USA, Commercial User  
1-888-542-2623 CANADA

Register your Product Online!

[www.lg.com](http://www.lg.com)