

Owner's Manual

10,000 Watt Generator with Electric Start



WARNING! To Reduce The Risk Of Injury, User Must Read And Understand Instruction Manual.

SP-GG1000E

FOR SERVICE CALL: 888-896-6881
PARA SERVICIO LLAME: 888-896-6881

www.steele-products.com

Table Of Contents

Topic	Page
Limited Warranty	2
Safety Guidelines	4
General Precautions	5
Battery	11
Assembly	12
Operation	15
Inspection, Cleaning and Maintenance	19
Transporting/Storage	21
Installation	23
Compliance	24
Specifications	25
Parts List	26



WARNING! READ AND UNDERSTAND ALL SAFETY PRECAUTIONS IN THIS MANUAL BEFORE OPERATING. FAILURE TO COMPLY WITH INSTRUCTIONS IN THIS MANUAL COULD RESULT IN PERSONAL INJURY, PROPERTY DAMAGE, AND/ OR VOIDING OF YOUR WARRANTY. STEELE® PRODUCTS WILL NOT BE LIABLE FOR ANY DAMAGE BECAUSE OF FAILURE TO FOLLOW THESE INSTRUCTIONS.

Limited Warranty

Steele® warrants to the original purchaser who uses the product in a consumer application (personal, residential or household usage) that all products covered under this warranty are free from defects in material and workmanship for one year from the date of purchase. All products covered by this limited warranty which are used in commercial applications (i.e. income producing) are warranted to be free of defects in material and workmanship for 90 days from the date of original purchase. Products covered under this warranty include air compressors, air tools, service parts, pressure washers and generators.

Steele® will repair or replace, at Steele's® sole option, products or components which have failed within the warranty period. Service will be scheduled according to the normal work flow and business hours at the service center location, and the availability of replacement parts. All decisions of Steele® with regard to this limited warranty shall be final.

This warranty gives you specific legal rights, and you may also have other rights which vary from state to state.

RESPONSIBILITY OF ORIGINAL PURCHASER (initial User):

To process a warranty claim on this product, DO NOT return item to the retailer. The product must be evaluated by an Authorized Warranty Service Center. For the location of the nearest Authorized Warranty Service Center contact the retailer or place of purchase.

Retain original cash register sales receipt as proof of purchase for warranty to work.

Use reasonable care in the operation and maintenance of the product as described in the Owner's Manual(s).

Deliver or ship the product to the Authorized Warranty Service Center. Freight costs, if any must be paid by the purchaser. If the purchaser does not receive satisfactory results from the Authorized Warranty Service Center, the purchaser should contact Steele® toll free 888-896-6881.

THIS WARRANTY DOES NOT COVER:

Merchandise sold as reconditioned, used as rental equipment, or floor or display models.

Merchandise that has become damaged or inoperative because of ordinary wear, misuse, cold, heat, rain, excessive humidity, freeze damage, use of improper chemicals, negligence, accident, failure to operate the product in accordance with the instructions provided in the Owner's Manual(s) supplied with the product, improper maintenance, the use of accessories or attachments not recommended by Steele®, or unauthorized repair or alterations.

- Repair and transportation costs of merchandise determine not to be defective.
- Costs associated with assembly, required oil, adjustments or other installation and start-up costs. Expendable parts or accessories supplied with the product which are expected to become inoperative or unusable after a reasonable period of use.

Limited Warranty

Merchandise sold by Steele® which has been manufactured by and identified as the product of another company, such as gasoline engines. The product manufacturer's warranty, if any, will apply.

ANY INCIDENTAL, INDIRECT OR CONSEQUENTIAL LOSS, DAMAGE, OR EXPENSE THAT MAY RESULT FROM ANY DEFECTS, FAILURE OR MALFUNCTION OF THE PRODUCT IS NOT COVERED BY THIS WARRANTY. Some states do not allow the exclusion, so it may not apply to you.

IMPLIED WARRANTIES, INCLUDING THOSE OF MERCHANTABILITY OR FITNESS FOR A PARTICULAR PURPOSE, ARE LIMITED TO ONE YEAR FROM THE DATE OF ORIGINAL PURCHASE. Some states do not allow limitations on how long an implied warranty lasts, so the above limitations may not apply to you.

Safety Guidelines - Definitions

This manual contains important information that you need to know and understand in order to keep YOU SAFE and to PREVENT EQUIPMENT PROBLEMS. The following symbols help you recognize this information. Please read the manual and pay attention to these sections.

Save These Important Safety Instructions! Read and understand all of these safety instructions. Be sure to retain them for future use.



WARNING! Warnings indicate a certainty or strong possibility of personal injury or death if instructions are not followed.



CAUTION: Cautions indicate a possibility of equipment damage if instructions are not followed



NOTE: Notes give helpful information



WARNING! Improper operation or maintenance of this product could result in serious injury an property damage. Read and understand all warnings and operating Instructions before using this equipment. When using air tools, basic safety precautions should always be followed to reduce the risk of personal injury.

General Precautions



WARNING! Failure to follow these instructions can result in severe injury or death.



DANGER!

Carbon Monoxide

Using a generator indoors WILL KILL YOU IN MINUTES.

Carbon Monoxide

Generator exhaust contains high levels of carbon monoxide (CO), a poisonous gas you cannot see or smell. If you can smell the generator exhaust, you are breathing CO. But even if you cannot smell the exhaust, you could be breathing CO.

- NEVER use a generator inside homes, garages, crawlspaces, or other partly enclosed areas. Deadly levels of carbon monoxide can build up in these areas. Using a fan or opening windows and doors does NOT supply enough fresh air.

- ONLY use a generator outdoors and far away from open windows, doors, and vents. These openings can pull in generator exhaust.

Even when you use a generator correctly, CO may leak into the home. ALWAYS use a battery-powered or battery-backup CO alarm in the home.

If you start to feel sick, dizzy, or weak after the generator has been running, move to fresh air RIGHT AWAY. See a doctor. You could have carbon monoxide poisoning.

Gasoline and Oil

This product requires oil and fuel. Attempting to start the engine without oil will ruin the engine and void the warranty. Work in well ventilated area. Keep cigarettes, flames or sparks away from the work area or where gasoline is stored.



WARNING! Gasoline is extremely flammable and is explosive under certain conditions. Keep out of reach of children.

Gasoline fuel and fumes are flammable and potentially explosive. Use proper fuel storage and handling procedures. Always have multiple ABC class fire extinguishers nearby.

Keep the generator and surrounding area clean at all times.

Fuel or oil spills must be cleaned up immediately. Dispose of fluids and cleaning materials as per any local, state, or federal codes and regulations. Store oily rags in a covered metal container.

- Never store fuel or other flammable materials near the generator.

General Precautions

Do not smoke, or allow sparks, flames or other sources of ignition around the engine and fuel tank. Fuel vapors are explosive.

Keep grounded conductive objects, such as tools, away from exposed, live electrical parts and connections to avoid sparking or arcing. These events could ignite fumes or vapors.

Do not refill the fuel tank while the engine is running or while the engine is still hot. Do not operate the generator with known leaks in the fuel system

Excessive buildup of unburned fuel gases in the exhaust system can create a potentially explosive condition. This buildup can occur after repeated failed start attempts, valve testing, or hot engine shutdown. If this occurs, open exhaust system drain plugs, if equipped, and allow the gases to dissipate before attempting to restart the generator.

Use only engine manufacturer recommended fuel and oil.

Hot Components



WARNING! Engine and exhaust system parts become very hot and remain hot for some time after the engine is run. Wear insulated gloves or wait until the engine and exhaust system have cooled before handling these parts.

Work Area

Keep your work area clean and well lit. Cluttered benches and dark areas invite accidents.

Do not operate power tools in explosive atmospheres, such as in the presence of flammable liquids, gases, or dust. Generators create sparks which may ignite the dust or fumes.

Keep bystanders, children, and visitors away while operating a generator. Provide barriers or shields as needed.

Electrical Safety

Grounded tools must be plugged into an outlet properly installed and grounded in accordance with all codes and ordinances. Never remove the grounding prong or modify the plug in any way. Do not use any adapter plugs.

Grounding provides a low-resistance path to carry electricity away from the user in the event of an electrical malfunction.

Double insulated tools are equipped with a polarized plug where one blade is wider than the other. This plug fits in a polarized outlet only one way. If the plug does not fit fully in the outlet, reverse the plug. If it still does not fit, contact a qualified electrician to install a polarized outlet. Do not change the plug in any way. Double insulation eliminates the need for the three-wire grounded power cord and grounded power supply system.

General Precautions

Avoid body contact with grounded surfaces such as pipes, radiators, ranges, and refrigerators. There is an increased risk of electric shock if your body is grounded.

Do not expose generator to rain or wet conditions. Water entering a generator will increase the risk of electric shock.

Do not abuse the power cord. Keep power cords away from heat, oil, sharp edges, or moving parts. Replace damaged power cords immediately. Damaged power cords increase the risk of electric shock.

When operating a power tool outside, use an outdoor extension cord marked "W-A" or "W". These extension cords are rated for outdoor use, and reduce the risk of electric shock.

All connections and conduits from the generator to the load must only be installed by trained and licensed electricians, and in compliance with all relevant local, state, and federal electrical codes and standards, and other regulations where applicable.

The generator must be earth-grounded for fixed installations in accordance with all relevant electrical codes and standards before operation.

Do not attempt to connect or disconnect load connections while standing in water, or wet or soggy ground.

Do not touch electrically energized parts of the generator and interconnecting cables or conductors with any part of the body, or with any non-insulated conductive object.

Connect the generator only to a load or electrical system (110/120 volt) that is compatible with the electrical characteristics and rated capacities of the generator.

Before servicing equipment powered by the generator, disconnect the equipment from its power input.

Keep all electrical equipment clean and dry. Replace any wiring where the insulation is cracked, cut abraded or otherwise degraded. Replace terminals that are worn, discolored, or corroded. Keep terminals clean and tight.

Insulate all connections and disconnected wires.

Guard against electric shock. Prevent body contact with grounded surfaces such as pipes, radiators, ranges, and refrigerator enclosures.

Personal Safety

Stay alert. Watch what you are doing, and use common sense when operating a generator. Do not use generator while tired or under the influence of drugs, alcohol, or medication. A moment of inattention while operating generators may result in serious personal injury.

General Precautions

Dress properly. Do not wear loose clothing or jewelry. Contain long hair. Keep your hair, clothing, and gloves away from moving parts. Loose clothes, jewelry, or long hair can be caught in moving parts.

Avoid accidental starting. Make sure the power switch is in its "OFF" position, and disconnect the spark plug wire when not in use.

Remove adjusting keys or wrenches before turning the generator on. A wrench or a key that is left attached to a rotating part of the generator may result in personal injury.

Do not overreach. Keep proper footing and balance at all times.

Use safety equipment. Always wear eye protection. Wear ANSI approved safety impact eye goggles. Dust mask, non-skid safety shoes, hard hat, or hearing protection must be used for appropriate conditions.

Do not force the generator. Use the correct generator for your application. The correct generator will do the job better and safer at the rate for which it is designed.

Do not use the generator if the power switch does not turn it on or off. Any generator that cannot be controlled with the power switch is dangerous and must be replaced.

Generator Use and Care

Make sure the power switch is in its "OFF" position and disconnect the spark plug wire before making any adjustment, changing accessories, or storing the generator. Such preventive safety measures reduce the risk of starting the generator accidentally.

Store idle generators out of reach of children and other untrained persons. Generators are dangerous in the hands of untrained users.

Maintain generators with care. Do not use damaged generator. Tag damaged generators "Do not use" until repaired.

Check for misalignment or binding of moving parts, breakage of parts, and any other condition that may affect the generator's operation. If damaged, have the generator serviced before using. Many accidents are caused by poorly maintained generators.

Use only accessories that are recommended by the manufacturer for your model. Accessories that may be suitable for one generator may become hazardous when used on another generator.

Servicing

Maintain labels and name plates on the generator and engine. These carry important information. If unreadable or missing, contact Steele® immediately for a replacement.

Generator service must be performed only qualified repair personnel. Service or maintenance performed by unqualified personnel could result in a risk of injury.

General Precautions

When servicing a generator, use only identical replacement parts. Follow all appropriate instructions in this manual. Use of unauthorized parts or failure to follow maintenance instructions may create a risk of electric shock or injury.

Heart Pacemakers



WARNING! People with pacemakers should consult their physician(s) before using this product. Electromagnetic fields in close proximity to a heart pacemaker could cause interference to or failure of the pacemaker.

Installation

Ensure installation meets all applicable safety, and local and national electrical codes. Have installation performed by a qualified, licensed electrician and building contractor.

All electrical work, including the earth-ground connection, should be completed by a licensed electrician.

Any separate fuel storage or generator supply facility must be built or installed in full compliance with all relevant local, state, and federal regulations.

If the generator is installed outdoors, it must be weatherproofed and should be soundproofed. It should not be run outdoors without protection to the generator and wiring conduit.

The generator weighs 220 lbs. Two or more people should assist when moving or lifting this product. Never lift the generator using the engine or alternator lifting lugs. Connect lifting equipment to the frame of the generator.

Before lifting the generator, ensure the lift rigging and supporting structure are in good condition, and are rated to lift such a load.

Keep all personnel away from the suspended generator during relocating.

The supporting floor/ground surface should be level and strong enough to safely hold the weight of the generator. If the floor/grounded surface is not level, strong cross members should be placed under the full length of the generator frame at its low side.

For trailer installation, the generator should be mounted on the center point of the trailer, over the wheels. The trailer must be capable of supporting the weight of the generator and all contents (tools, etc.)

Install sound-and weather-proofing only when it is not raining or snowing to avoid trapping moisture within the generator's area.

Mechanical

Always make sure the power switch is in its "OFF" position. Disconnect the spark plug wire, and allow the engine to completely cool before carrying out maintenance.

General Precautions

Check for damaged parts. Before using the generator, any part that appears damaged should be carefully checked to determine that it will operate properly and perform its intended function. Check for alignment and binding of moving parts, any broken parts or mounting fixtures, and any other condition that may affect proper operation technician.

The generator is designed with guards for protection from moving parts. In any case, care must still be taken to protect personnel and equipment from other mechanical hazards when working around the generator.

Do not operate the generator with safety guards removed. While the generator is running, do not attempt to reach around the safety guard for maintenance or any other reason.

Keep hands, arms, long hair, loose clothing, and jewelry away from moving parts. Be aware that when engine parts are moving fast they cannot be seen clearly.

Keep access doors on enclosures closed and locked when access is not required.

When working on or around the generator always wear protective clothing including ANSI approved safety gloves, safety eye goggles, and safety hat.

Do not alter or adjust any part of the generator that is assembled and supplied by the manufacturer.

Always follow and complete scheduled engine and generator maintenance.

Chemicals

Avoid contact with hot fuel, oil, exhaust fumes, and hot solid surfaces.

Avoid body contact with fuels, oils, and lubricants used in the generator. If swallowed, seek medical treatment immediately. Do not induce vomiting if fuel is swallowed. For skin contact, immediately wash with soap and water. For eye contact, immediately flush eyes with clean water and seek medical attention.

Noise

Prolonged exposure to noise levels above 85 DBA is hazardous to hearing. Always wear ANSI approved ear protection when operating or working around the generator when it is running.

Extension Cord

If an extension cord (not included) is used, make sure to use only UL approved cords having the correct gauge and length according to the following table:

Nameplate Amps (@ full load)	Cord Lengths			
	0'-50'	20'-100'	100'-150'	150'-200'
0 - 5	16AWG	16AWG	12AWG	12AWG
5.1 - 8	16AWG	14AWG	10AWG	
8.8 - 12	14AWG	12AWG		

Battery

Assembly

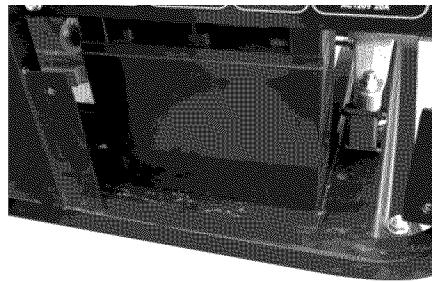
To start generator with electric start you will need a battery (not included). You can use a 12v lawn tractor battery with the following specifications: The dimensions are Wx7.5" Dx5" Hx7" (including terminals). A rated cranking amperage of 200. Terminals are regular, not reversed. Note: Using a battery not designed for this unit may void warranty. Also this generator can also be started with the pull start.

Photos below demonstrate how to install the battery.

1) Screw of the M6x12 bolts as shown below.

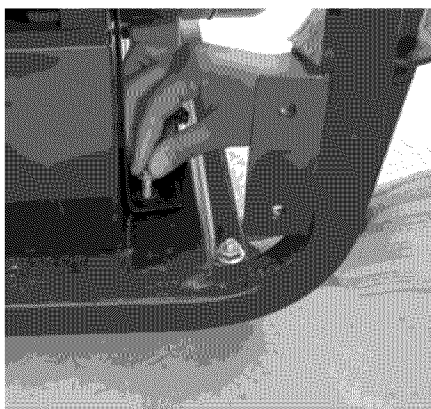


Open up the plate

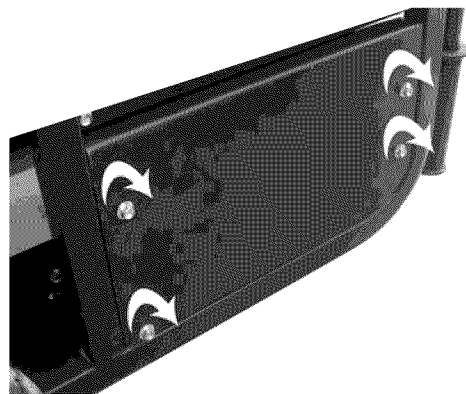


Connect battery and put in the cabin

2) Screw on one bolt to rivet the battery and screw the bolts to close up the plate as shown below.



Rivet battery



Close up the plate

Assembly

Unpacking

1. Remove the generator and loose parts box from the carton.
2. Compare the loose parts with the inventory list below.

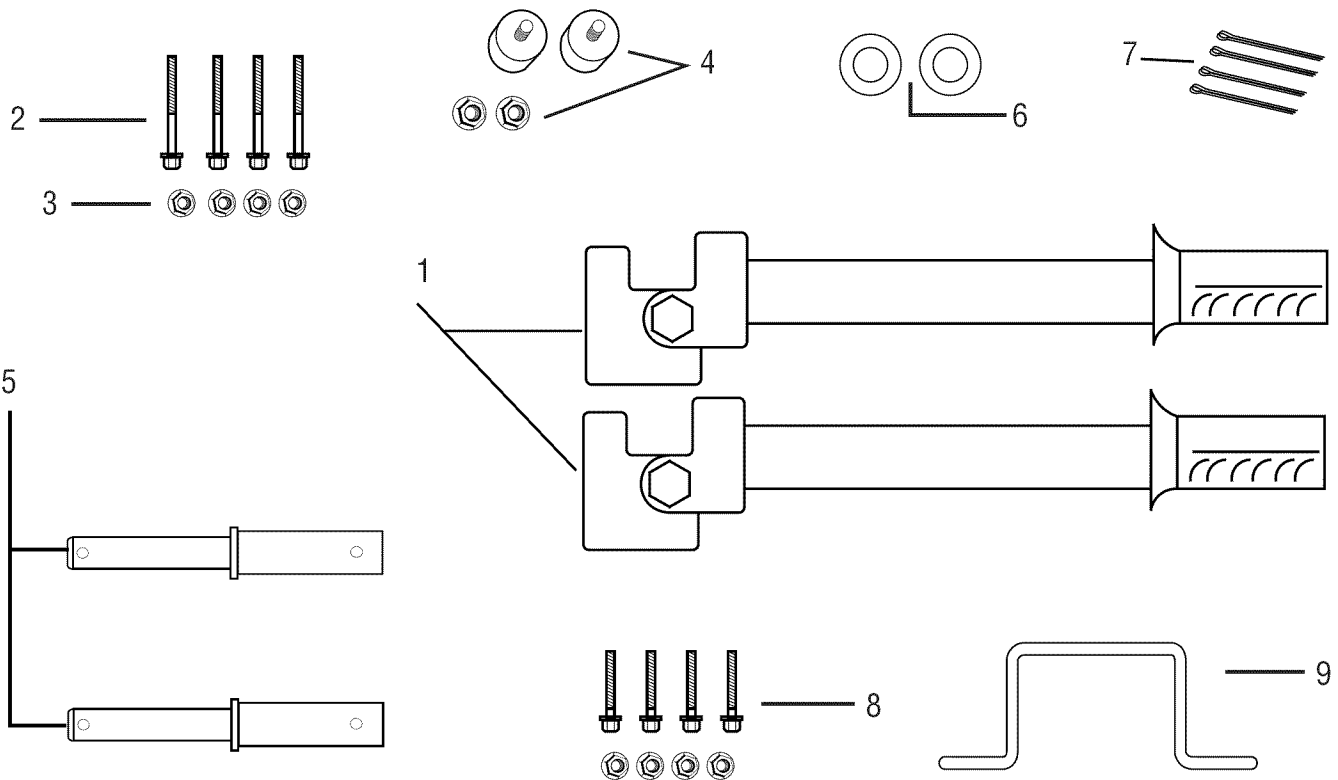
Loose Parts (Wheel kit and handle)

Check all loose parts against the following list. Contact your dealer toll free at 888.896.6881 if any of the loose parts shown are not included with your generator

Hardware Check:

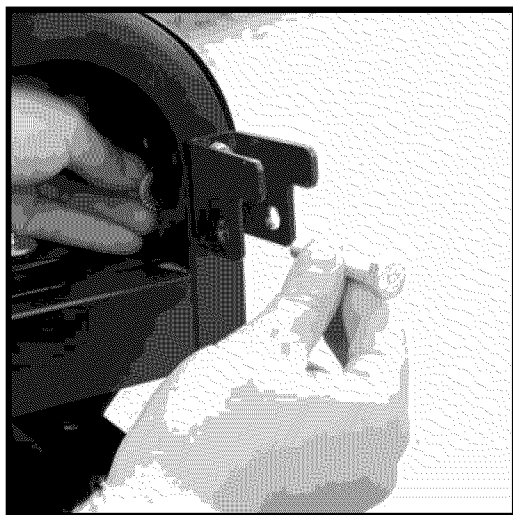
Your Hardware Kit should include:

- 1) 2 Handles with bolts and brackets
- 2) 4 (six) M8x40mm bolts, (6mm x 1.0) thread
- 3) 4 (six) M8 Nuts (6mm x 1.0) thread
- 4) 2 (two) rubber bushings with 2 nuts
- 5) 2 (two) axle shafts
- 6) 2 (two) washers
- 7) 4 (four) cotter pins
- 8) 4 (four) bolts and nuts
- 9) 1 (one) generator leg
- 10) 2 (two) wheels (not shown)

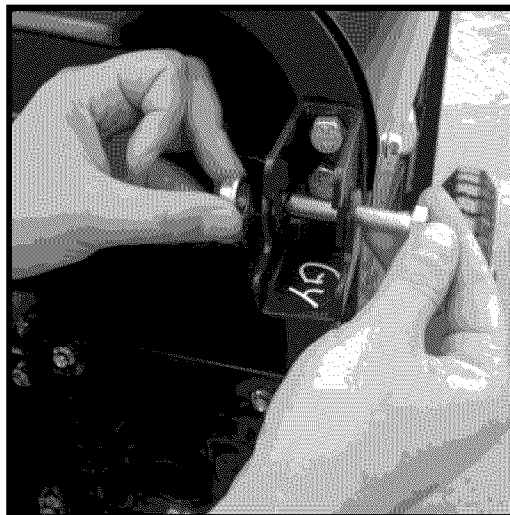


Assembly

Handle Installation



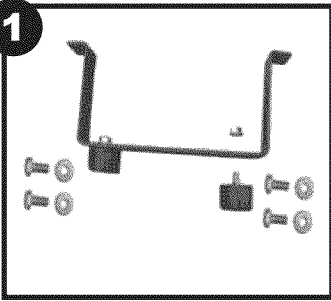
Install the handle bracket.



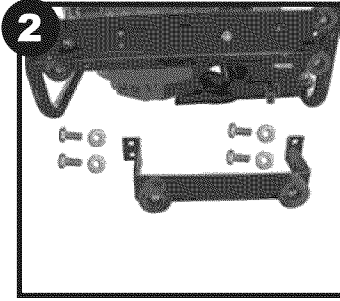
Connect handle with the bracket.

Assembly

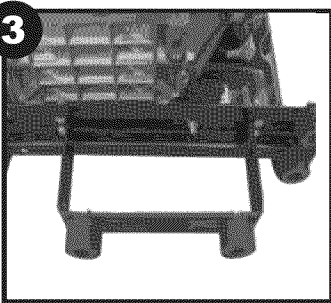
Wheel Kit Installation



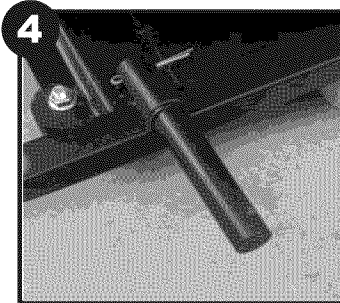
Start by installing the rubber floor mounts onto the support leg as shown. Note: The leg should be installed on the same side as the pull handle.



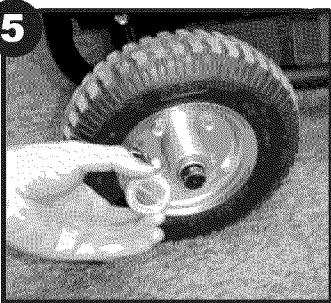
Here is the hardware required to install the support leg. Place a block of wood under the generator so that you don't have to hold it up while trying to install the leg. Place the support leg under the frame. Push the bolt through the frame and thru the leg. Thread a nut onto the bolt. Tighten with a wrench.



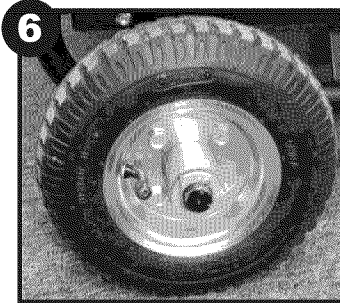
This is what the leg looks like when it is installed.



The wheels should be installed on the side opposite to the handle. Place a block of wood under the generator so that you don't have to hold it up while trying to install the axle. Place the axle mount brackets. Thread two bolts through the frame and through the axle mounting plates. Thread a nut onto the bolt and tighten. Push the axle shaft into the axle mount bracket. Then push the cotter pin through the axle and bend it backwards as shown.

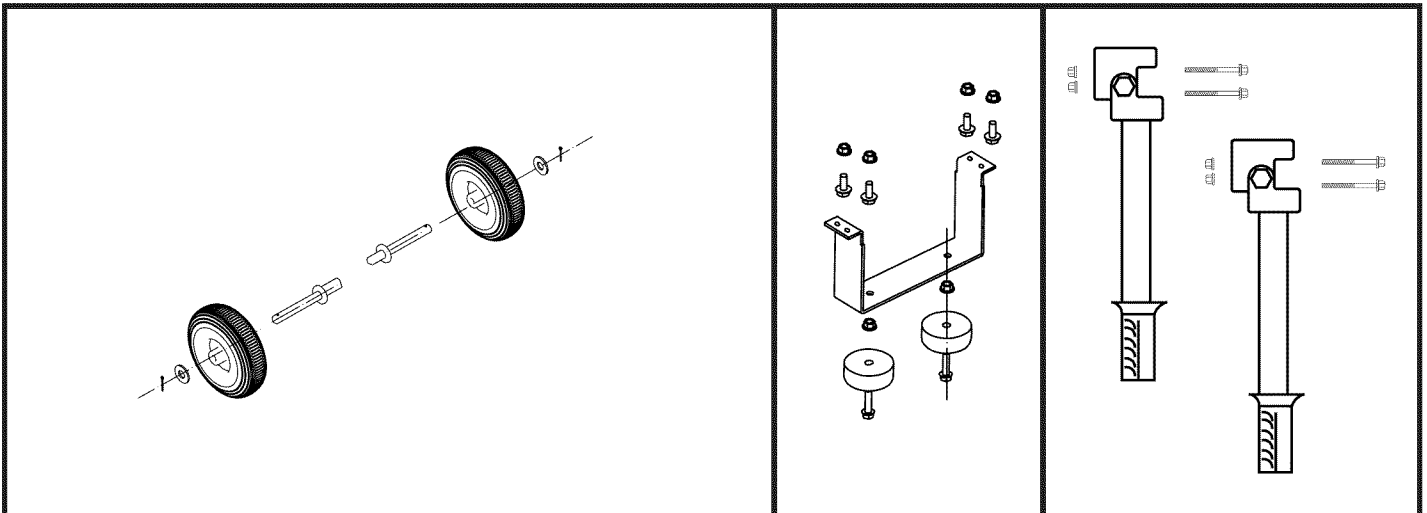


Slide the wheels onto the axle. Place a washer over the wheel.





Push the cotter pin through the axle and bend it backwards as shown.

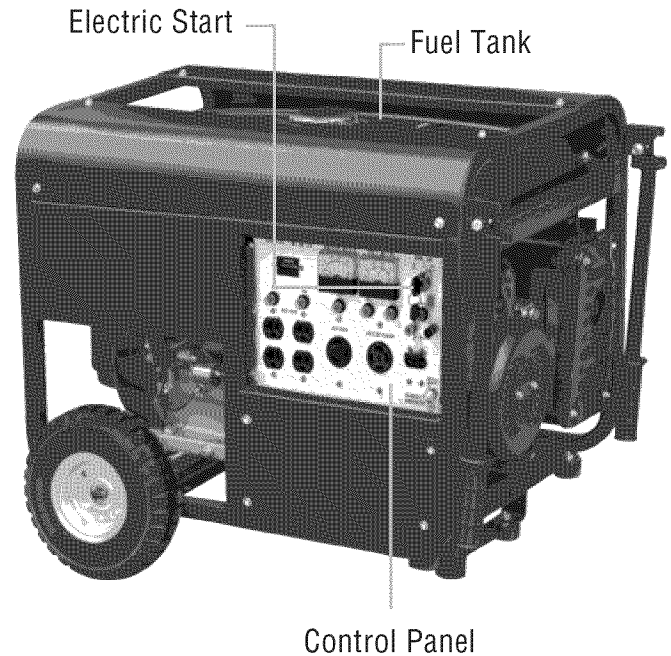
Your generator is now mobile. Enjoy!



Operation

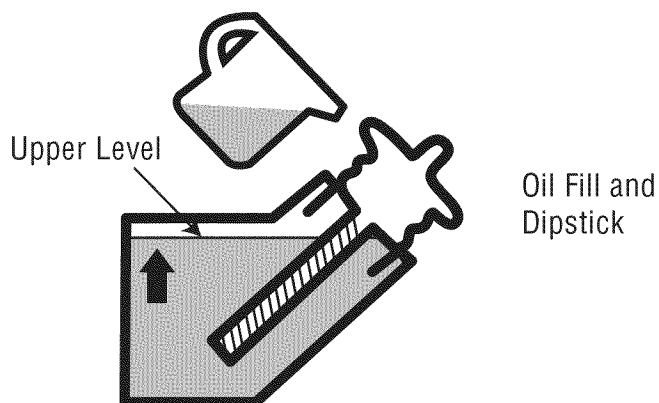
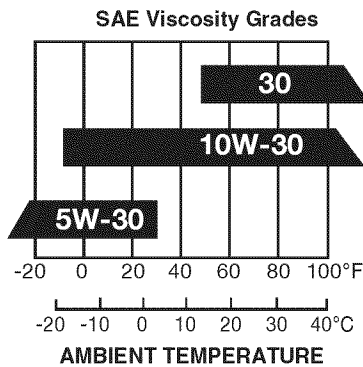
 **NOTE:** The parts listed above are helpful for locating the controls mentioned below.

 **CAUTION:** Prior to first using the generator, the engine must be filled with a high quality sae 10w-30 grade engine oil. To do so unscrew and remove the engine's oil dipstick located at the bottom of the engine crankcase. Fill the engine's crankcase until the oil level is level with the upper marked line on the dipstick. Then, screw the dipstick back into the oil fill hole.



ENGINE OIL RECOMMENDATIONS

Oil is a major factor affecting performance and service life. Use 4-stroke automotive detergent oil. SAE 10W 30 is recommended for general use. Other viscosities shown in the chart may be used when the average temperature in your area is within the recommended range.



Before Starting the Generator

1. Check that the engine power switch is in its "OFF" position (see diagram on next page).
2. Before the first use, remove the fuel tank cap and fill the fuel tank with unleaded gasoline. When fueling, be sure that the fuel strainer is in place. Replace the fuel tank cap. Thereafter, check the engine's fuel gauge for the amount of unleaded gasoline in the fuel tank. If necessary, refill the fuel tank with unleaded gasoline. The generator must be turned off and cooled down before refilling the fuel tank.

Operation

Starting

1. Turn the engine switch to the ON position. The engine switch enables and disables the ignition system.

OFF: To stop the engine. RUN: To run the engine.

2. The fuel valve is located between the fuel tank and the carburetor. When the valve lever is in the ON position, fuel is allowed to flow from the fuel tank to the carburetor. Be sure to return the fuel valve lever to the OFF position after stopping the engine.

3. To start a cold engine, move the choke lever to the CLOSED position. To restart a warm engine, leave the choke lever in the OPEN position.

The choke lever opens and closes the choke valve in the carburetor.

The CLOSED position enriches the fuel mixture from starting a cold engine.

The OPEN position provides the correct fuel mixture for operation after starting, and for restarting a warm engine.

4. Operate the Recoil Starter: Turn the key to the "Run" position. Pull the starter grip lightly until you feel resistance, then pull briskly. Return the starter grip gently. Pulling the starter grip operates the recoil starter to crank the engine.

ELECTRIC START. For Electric Start just turn the key to start.

NOTE: Make sure correct battery is installed.

(see battery installation for details)

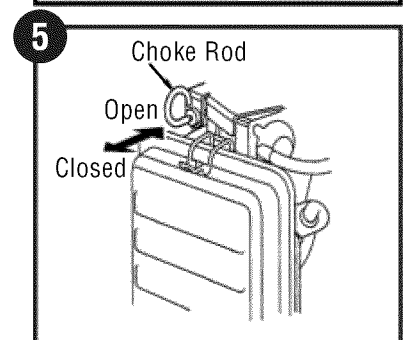
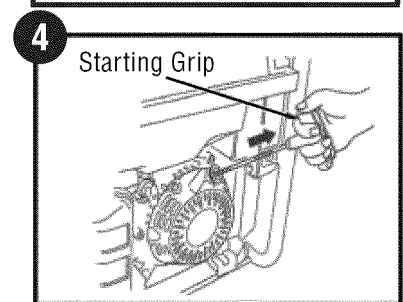
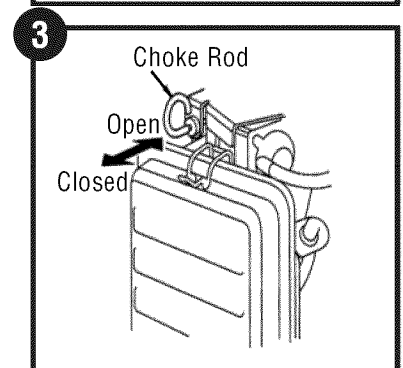
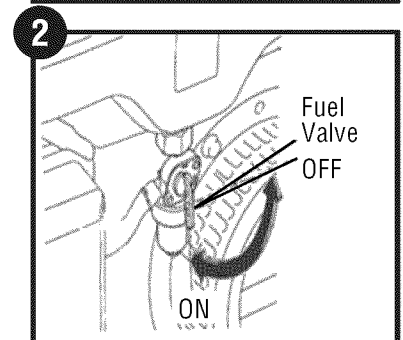
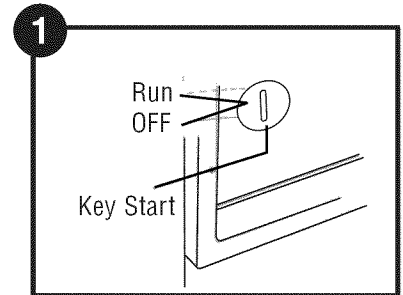
5. If the choke lever has been moved to the CLOSED position to start the engine, gradually move it to the OPEN position as the engine warms up.

Stopping Engine

Turn the engine switch to the OFF position.

2. Turn the fuel valve lever to the OFF position.


When the engine is not in use, leave the fuel valve lever in the OFF position to prevent carburetor flooding and to reduce the possibility of fuel leakage.




Operation

Powering 120 Volt AC Tools And Equipment:

1. Prior to powering tools and equipment, make sure the generator's rated voltage, and amperage capacity (120V AC) is adequate to supply all electrical loads that the unit will power. If powering exceeds the generator's capacity, it may be necessary to group one or more of the tools and/or equipment for connection to a separate generator.

 **CAUTION:** Attempting to power sensitive electronic equipment without the use of an approved line conditioner may cause damage to the equipment. Steele® is not responsible for any direct or indirect damage caused by failure to use an approved line conditioner.

2. Once the generator is running, simply connect the power cords of 120 volt AC powered tools and equipment into the 120 volt AC dual outlets.

 **NOTE:** The generator features an AC non-fuse circuit breaker to protect the AC circuit in case of an overload. Should an overload occur, the breaker will "trip" to its "off" position. In this case, refer to above in this position. Then, reset the circuitry system by turning the circuit breaker to its "on" position.


3. Disconnect all electrical powered tools and equipment from the generator's 120 volt AC dual outlets.

4. After the engine and generator have completely cooled, store generator in a safe, clean, dry location (if not already installed).

Powering 12 Volt DC tools and Equipment:

1. Prior to powering tools and equipment, make sure the generator's rated voltage, and amperage capacity (12V DC) is adequate to supply all electrical loads that the unit will power. If powering exceeds the generator's capacity, it may be necessary to group one or more of the tools and/or equipment for connection to a separate generator.

2. Connect the power cord of a 12V DC powered tool or equipment to the DC Terminals.

 **CAUTION:** Make sure to connect the positive (+) lead of the power cord to the positive (+) terminal on the generator, and connect the negative (-) lead of the power cord to the negative (-) terminal on the generator.

3. Start and run the engine as described above.

4. When finished using the generator, turn the engine power switch to its "OFF" position. Turn the fuel valve to its "OFF" position.

5. Disconnect the electrical powered tools' power cord from the generator's DC terminals.

6. After the engine and generator have completely cooled, store the generator in a safe, clean, dry location (if not already installed in one).

NOTE: The 12V DC is generally used for charging batteries.


Operation

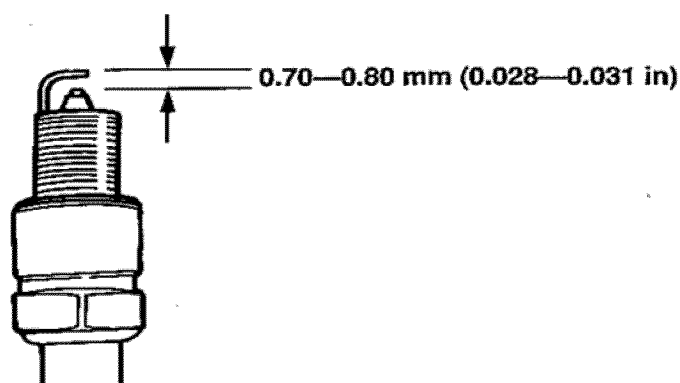
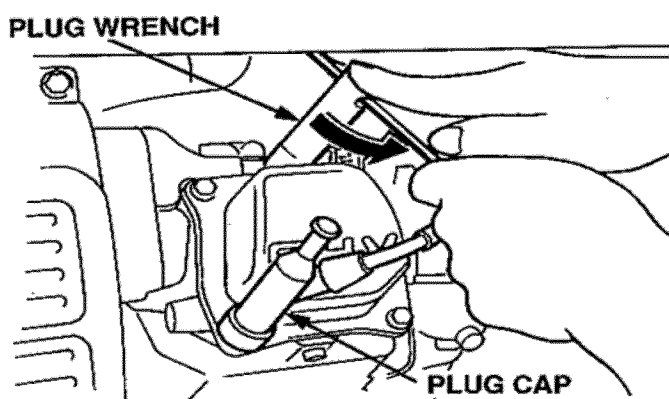
Spark Plug Service

In order to service the spark plug, you will need a spark plug wrench (commercially available).

Recommended spark plugs: NHSP LD F7TC. To ensure proper engine operation, the spark plug must be properly gapped and free of deposits.

1. Remove the spark plug cap.
2. Use a spark plug wrench to remove the spark plug.
3. Visually inspect the spark plug. Discard it if the insulator is cracked or chipped. Clean the spark plug with a wire brush if it is to be reused.
4. Measure the plug gap with a feeler gauge.
5. Check that the spark plug washer is in good condition.
6. After the spark plug is seated, tighten with a spark plug in by hand to prevent cross-threading.
7. After the spark plug is seated, tighten with a spark plug wrench to compress the washer.

 **NOTE:** The spark plug must be securely tightened. An improperly tightened spark plug can become very hot and could damage the Engine. Never use spark plugs which have an improper heat range. Use only recommended spark plus or equivalent.



Inspection, Cleaning, and Maintenance



WARNING! Always make sure the engine power switch is in its "OFF" position. Disconnect the spark plug wire from the engine and allow sufficient time for the engine and generator to completely cool before performing any inspections, maintenance, or cleaning.

Before each use, inspect the generator. Check for:

- Loose screws
- Misaligned or binding moving parts
- Cracked or broken parts
- Damaged electrical wiring
- Any other condition that may affect safe operation.

If an engine problem occurs, have it checked by a qualified service technician before further use. Do not use damaged equipment.

Before each use, make sure the engine's oil and gas levels are adequate. If necessary, fill the crankcase until the oil level is even with the oil fill hole and/or fill the fuel tank.

Before each use, remove all debris with a soft brush, rag, or vacuum.

Lubricate all moving parts using a premium quality, lightweight machine oil.

Oil has to be drained after the first 20 hours of use. This is the break in period. Then after every 50 hours of use, drain the old engine oil and replace with a high quality SAE 10W-30 grade engine oil.

Every 300 hours of use, have a qualified, certified technician perform thorough maintenance on the generator and engine.

For long term storage, either drain fuel into suitable container or add a fuel preservative/stabilizer (not included) to prevent fuel breakdown.

Inspection, Cleaning, and Maintenance

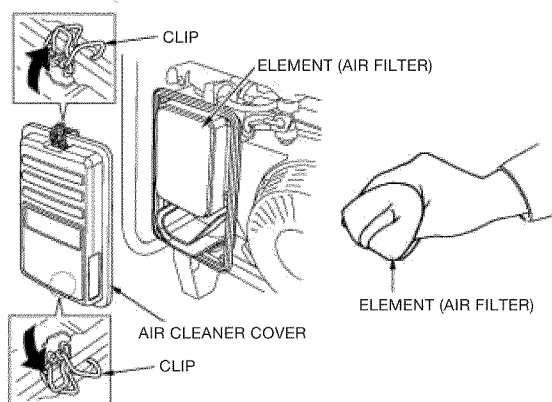
Air Cleaner Service

A dirty air cleaner will restrict air flow to the carburetor. To prevent carburetor malfunction, service the air cleaner regularly. Service more frequently when operation the generator in extremely dusty areas.

NOTE

Never run the generator without the air filter. Engine will wear down.

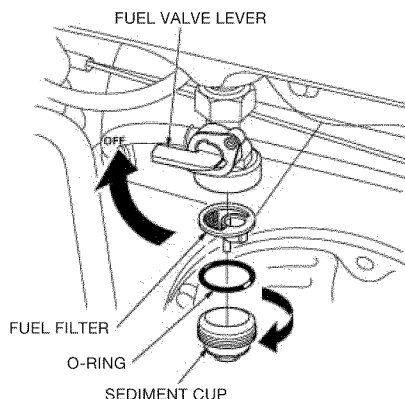
1. Unsnap the air cleaner cover clips, remove the air cleaner cover, and remove the element.
2. Wash the air cleaner element in a solution of household detergent and warm water, then rinse thoroughly, or wash in nonflammable or high flashpoint solvent. Allow the air cleaner element to dry thoroughly.
3. Reinstall the air cleaner element and the cover.



Fuel Sediment Cup Cleaning

The sediment cup prevents dirt or water which may be in the fuel tank from entering the carburetor. If the engine has not been run for a long time, the sediment cup should be cleaned.

1. Turn the fuel valve lever to the OFF position. Remove the sediment cup, O-ring, and filter.
2. Clean the sediment cup, O-ring, and filter in nonflammable or high flash point solvent.
3. Reinstall the filter, O-ring, and sediment cup.
4. Turn the fuel valve lever ON and check for leaks.



Transporting/Storage

When transporting the generator, turn the engine switch and the fuel valve OFF. Keep the generator level to prevent fuel spillage. Fuel vapor or spilled fuel may ignite.

⚠ WARNING Contact with a hot engine or exhaust system can cause serious burns or fires. Let the engine cool before transporting or storing the generator.

Take care not to drop or strike the generator when transporting. Do not place heavy objects on the generator.

Before storing the unit for an extended period:

1. Be sure the storage area is free of excessive humidity and dust.
2. Service according to the table below:

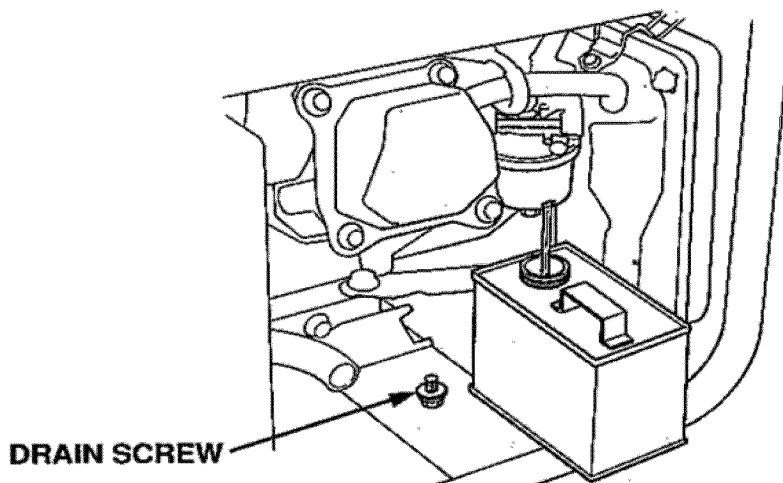
STORAGE TIME	RECOMMENDED SERVICE PROCEDURE TO PREVENT HARD STARTING
Less than 1 month	No preparation required
1 to 2 months	Fill with fresh gasoline and add gasoline conditioner*.
2 months to 1 year	Fill with fresh gasoline and add gasoline conditioner*. Drain the carburetor float bowl Drain the fuel sediment cup
1 year or more	Fill with fresh gasoline and add gasoline conditioner*. Drain the carburetor float bowl Drain the fuel sediment cup Remove the spark plug. Put a tablespoon of engine oil into the cylinder. Turn the engine slowly with the pull rope to distribute the oil. Reinstall the spark plug. Change the engine oil After removal from storage, drain the stored gasoline into a suitable container, and fill with fresh gasoline before starting.

Transporting/Storage

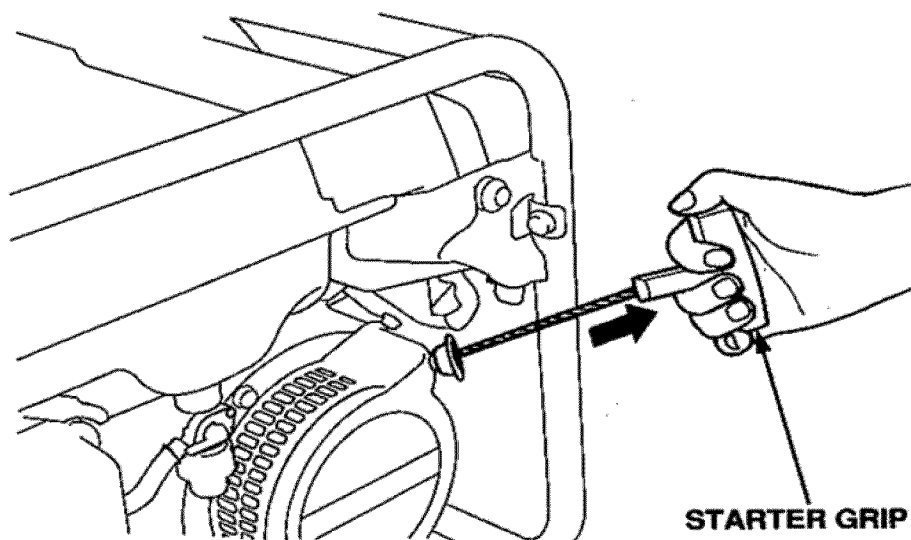
1. Drain the carburetor by loosening the drain screw. Drain the gasoline into a suitable container.

⚠ WARNING


Gasoline is extremely flammable and is explosive under certain conditions. Perform this task in a well ventilated area with the engine stopped. Do not smoke or allow flames or sparks in the area during this procedure.




2. Change the engine oil
3. Remove the spark plug, and pour about a tablespoon of clean engine oil into the cylinder. Crank the engine several revolutions to distribute the oil, then reinstall the spark plug.
4. Slowly pull the starter grip until resistance is felt. At this point, the piston is coming up on its compression stroke and both the intake and exhaust valves are closed. Storing the engine in this position will help to protect it from internal corrosion.



Installation

 **NOTE:** Prior to powering tools and equipment make sure the generator's rated voltage, wattage and amperage capacity is adequate to supply all electrical loads that the unit will power. If powering exceeds the generator's capacity, it may be necessary to group one or more of the tools and/or equipment for connection to a separate generator.

Electrical and other permits may be required for the installation of emergency power systems. Investigate your local building and electrical codes before installing this unit. Installation must be completed by licensed contractors.

 **WARNING!** The generator weighs approximately 195 pounds. Use care and the proper lifting or hoisting equipment when moving it to the installation location. Always connect hoist lines to the frame of the generator.

General Location

Make sure to locate and install the generator outdoors where cooling air is readily available. Install the generator so that the air inlets and outlets are not blocked by obstructions such as bushes, trees, or snow drifts. Locating it in the path of heavy winds or snowdrifts may require the placement of a barrier for protection. In normal weather conditions, the air vent should face the prevailing wind direction.

Install the generator on a concrete slab or other area where rain drainage or flood waters can not reach it.


Generator placement should allow four feet of access to all sides for maintenance.

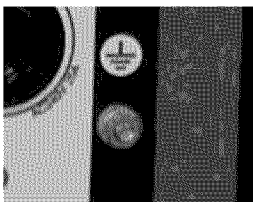
Place the generator as close as possible to the electrical tools and equipment being powered to reduce the length of extension cords.

Supporting and Mounting

Mount the generator on a concrete slab capable of supporting the weight of the generator. The slab must extend on all sides beyond the frame by at least one foot. Contact a cement contract or for slab specifications if necessary. Attach the frame to the concrete slab using 3/8" diameter expansion anchor bolts (not supplied).

Grounding

 **NOTE:** it is recommended that only a trained and licensed electrician perform this procedure. Connect a #6 AWG grounding wire (not included) from the ground connector on the generator power panel (picture below) to a grounding rod (picture below). It must be driven at least 24" deep into the soil). The grounding rod must be an earth-driven copper or brass (electrode) which can adequately ground the generator.



Ground Connector



Brass Rod (Electrode)

Compliance

UNITED STATES ENVIRONMENTAL PROTECTION AGENCY, WASHINGTON, DC 20460
2005 Model Year Certificate of Conformity

Manufacturer: Jiangsu Jiandong Group Co. Ltd.

Certificate Number: JDG-NRSI-05-04

Effective Date: 12/09/2005

Date Issued: 12/09/2005

Merrylin Zaw-Mon, Director, Compliance and Innovation Strategies Division, Office of Transportation and Air Quality.

Pursuant to Section 213 of Clean Air Act (42 U.S.C. section 7547) and 40 CFR 90, and subject to the terms and conditions prescribed in those provisions, this certificate of conformity is hereby issued for the following small non-road engine family, more fully described in the documentation required by 40 CFR 90 and produced in the stated model year.

This certificate of conformity covers only those new small non-road engines which conform in all material respects to the design specifications described in the documentation required by 40 CFR 90 and which are produced during the model year stated on this certificate. This certificate of conformity does not cover small non-road engines imported prior to the effective date of the certificate.

SMALL NON-ROAD ENGINE FAMILY: 5JDGS.3892GA

This certificate of conformity is conditional upon compliance of said manufacturer with the averaging, banking, and trading provisions of 40 CFR Part 90, Subpart C both during and after model year production. Failure to comply with these provisions may render this certificate void ab initio. The HC + NOX family emission limit (FEL) is: g/k W-hr.

It is a term of this certificate that the manufacturer shall consent to all inspections described in 40 CFR 90.126 and 90.506 and authorized in a warrant or court order. Failure to comply with the requirements of such a warrant or court order may lead to revocation or suspension of this certificate for reasons specified in 40 CFR 90. It is also a term of this certificate that this certificate may be revoked or suspended or rendered void ab initio for other reasons specified in 40 CFR 90.

This certificate does not cover small non-road engines sold, offered for sale, or introduced, or delivered for introduction, into commerce in the U.S. prior to the effective date of the certificate.

Specifications

AC Electrical

Current Output	120V/240V AC @ 62.5/31.25A 60Hz
Rated Wattage	7,500
Peak Wattage	10,000
Outlet	4-120V outlets, 3 spring grounded 1-120/240V twist-lock

DC Electrical

12V	8.3 A
-----	-------

Gasoline Engine

Horsepower	15
Type	4-cycle OHV air-cooled Recoil & Electric Start
Displacement	420cc
Oil Capacity	1.16 quart (1.1 liter)
EPA approved	Yes

Fuel

Type	Unleaded gasoline
Capacity	8 gallons (30 L)
Running Time	8.5 hours (approx.) on 1/2 load
Fuel Gauge	Included

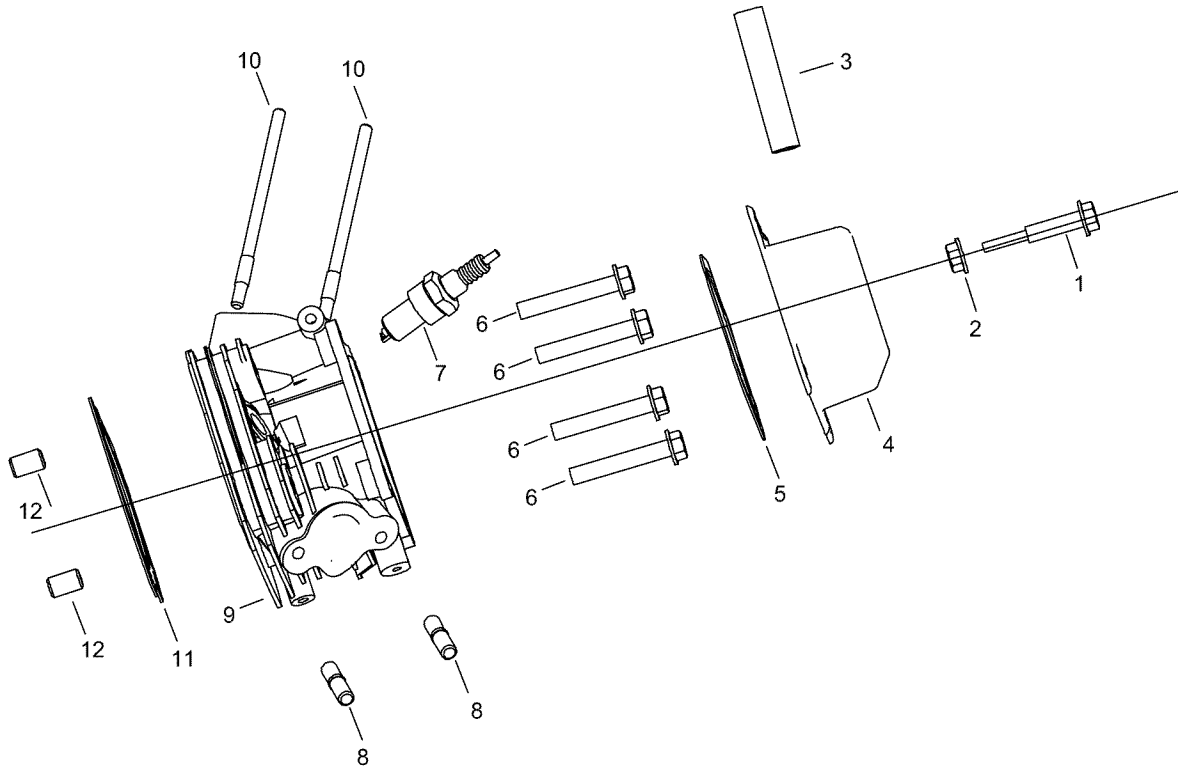
Weight

Approximate Weight	253 lbs.
--------------------	----------

Parts List

Cylinder Head assy.

A

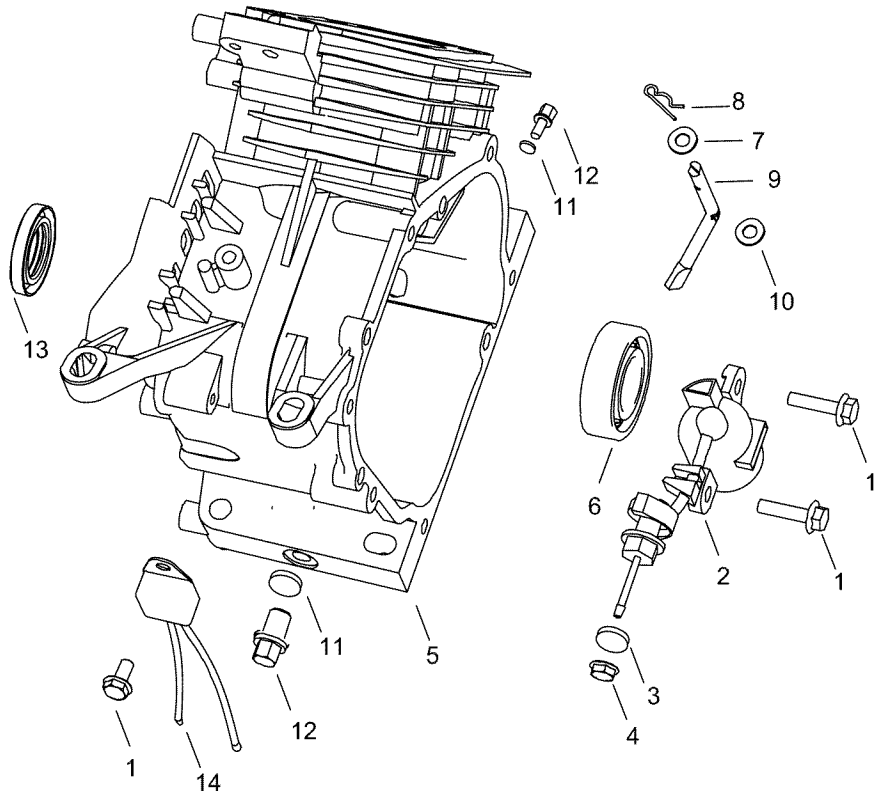


APA Part No.	Description	Part. No
SP-GG1000E-A-01-JD	HEAD COVER COMP. BOLT	JF340-A-01
SP-GG1000E-A-02-JD	HEAD COVER WASHER COMP.	JF340-A-02
SP-GG1000E-A-03-JD	TUBE	JF340-A-13
SP-GG1000E-A-04-JD	HEAD COVER COMP.	JF340-A-04
SP-GG1000E-A-05-JD	HEAD COVER PACKING	JF340-A-05
SP-GG1000E-A-06-JD	FLANGE BOLT (M10X 80)	JF340-A-06
SP-GG1000E-A-07-JD	SPARK PLUG	JF340-A-07
SP-GG1000E-A-08-JD	EXHAUST PIPE STUD BOLT	JF340-A-08B
SP-GG1000E-A-09-JD	CYLINDER HEAD COMP.	JF390-A-09
SP-GG1000E-A-10-JD	CARBURETOR STUD BOLT	JF340-A-10B
SP-GG1000E-A-11-JD	CYLINDER HEAD SEALING PAD	JF420-A-11
SP-GG1000E-A-12-JD	DOWEL PIN (Ø10×Ø12×20)	JF340-A-12

Parts List

Cylinder Head assy.

B

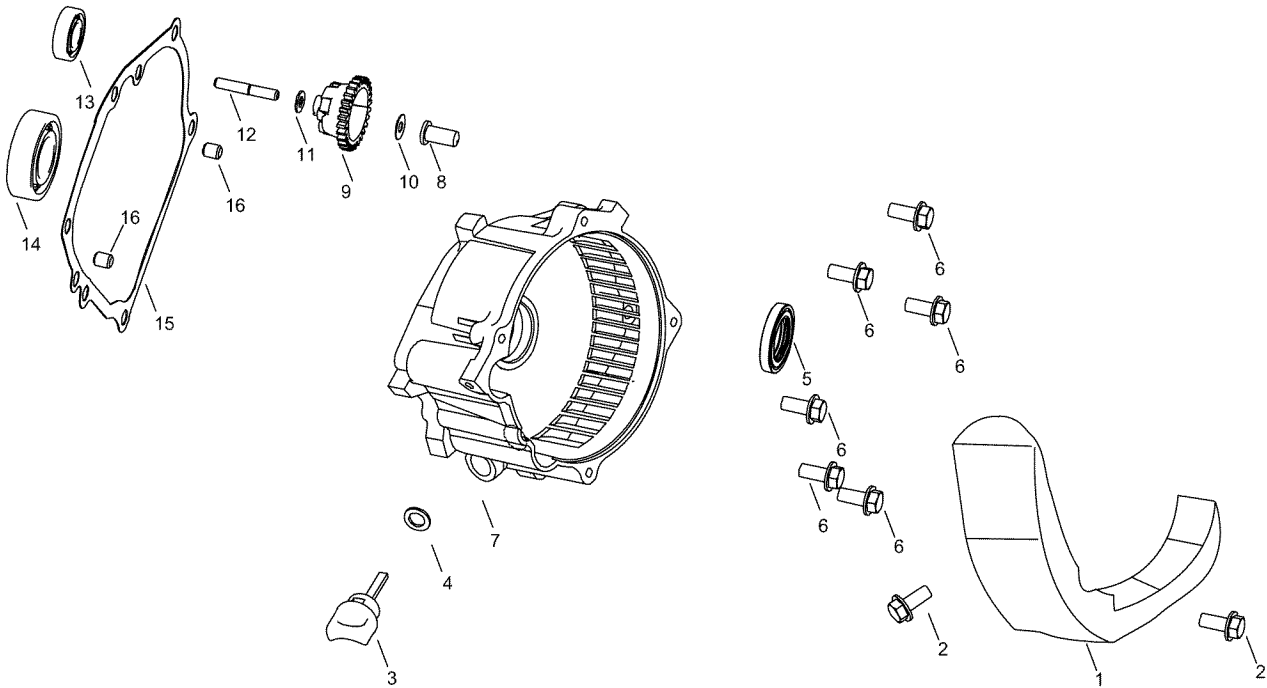


APA Part No.	Description	Part. No
SP-GG1000E-B-01-JD	FLANGE BOLT (M6X 14)	JF340-B-01
SP-GG1000E-B-02-JD	OIL LEVEL SWITCH ASSY.	JF240-B-02
SP-GG1000E-B-03-JD	O-RING	JF240-B-03
SP-GG1000E-B-04-JD	FLANGE NUT	JF340-B-02
SP-GG1000E-B-05-JD	CRANK CASE	JF420-B-02
SP-GG1000E-B-06-JD	BALL BEARING (6207)	JF340-B-04
SP-GG1000E-B-07-JD	WASHER(Ø8.3×Ø17×1)	JF340-B-05
SP-GG1000E-B-08-JD	LOCK PIN (10 mm)	JF340-B-06
SP-GG1000E-B-09-JD	GOVERNOR ARM SHAFT	JF340-B-07
SP-GG1000E-B-10-JD	OIL SEAL (Ø8×Ø14×5)	JF340-B-08
SP-GG1000E-B-11-JD	DRAIN PLUG WASHER (12mm)	JF340-B-09
SP-GG1000E-B-12-JD	DRAIN PLUG BOLT	JF340-B-10
SP-GG1000E-B-13-JD	OIL SEAL (Ø35×Ø52×8)	JF340-B-11
SP-GG1000E-B-14-JD	OIL PROTECTOR	JF340-B-12

Parts List

Crankcase Cover System Assy.

C

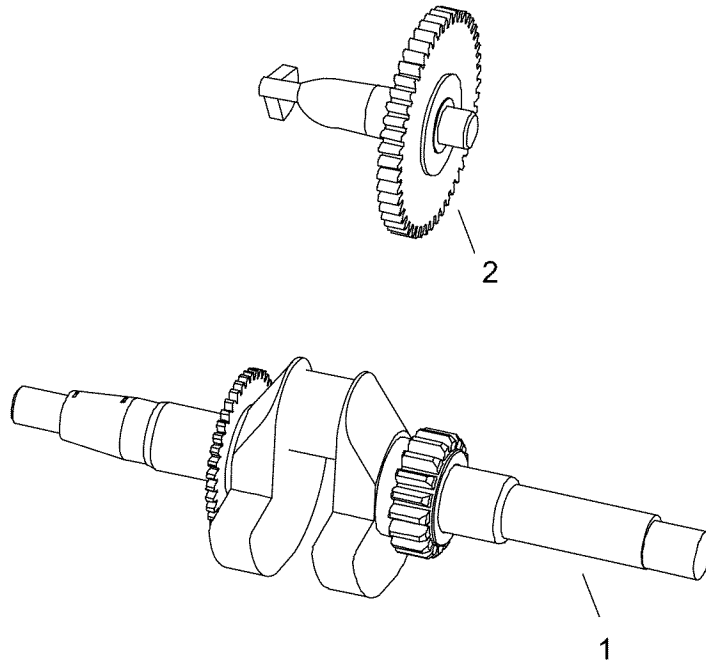


APA Part No.	Description	Part. No
SP-GG1000E-C-01-JD	DUCT COVER	JD5000-A-01
SP-GG1000E-C-02-JD	FLANGE BOLT (M8 X 35)	JD5000-A-02
SP-GG1000E-C-03-JD	OIL SCALE	JF340-C-03B
SP-GG1000E-C-04-JD	OIL SCALE SEAL	JF340-C-02
SP-GG1000E-C-05-JD	OIL SEAL(∅35×∅52×8)	JF340-B-11
SP-GG1000E-C-06-JD	FLANGE BOLT (M8X35)	JF390-C-01
SP-GG1000E-C-07-JD	CRANKCASE COVER	JF340-C-04B
SP-GG1000E-C-08-JD	SLIDER SHAFT	JF340-C-06
SP-GG1000E-C-09-JD	GOVERNOR GEAR	JF340-C-07
SP-GG1000E-C-10-JD	GOVERNOR GEAR WASHER (6 mm)	JF340-C-05
SP-GG1000E-C-11-JD	SLIDER WASHER (6 mm)	JF340-C-08
SP-GG1000E-C-12-JD	GOVERNOR SLIDER	JF340-C-09
SP-GG1000E-C-13-JD	BALL BEARING (6202)	JF340-B-13
SP-GG1000E-C-14-JD	BALL BEARING (6207)	JF340-B-04
SP-GG1000E-C-15-JD	CRANKCASE COVER PAD	JF340-C-10
SP-GG1000E-C-16-JD	DOWEL PIN (8X 12)	JF240-C-11

Parts List

Crankshaft System Assy.

D

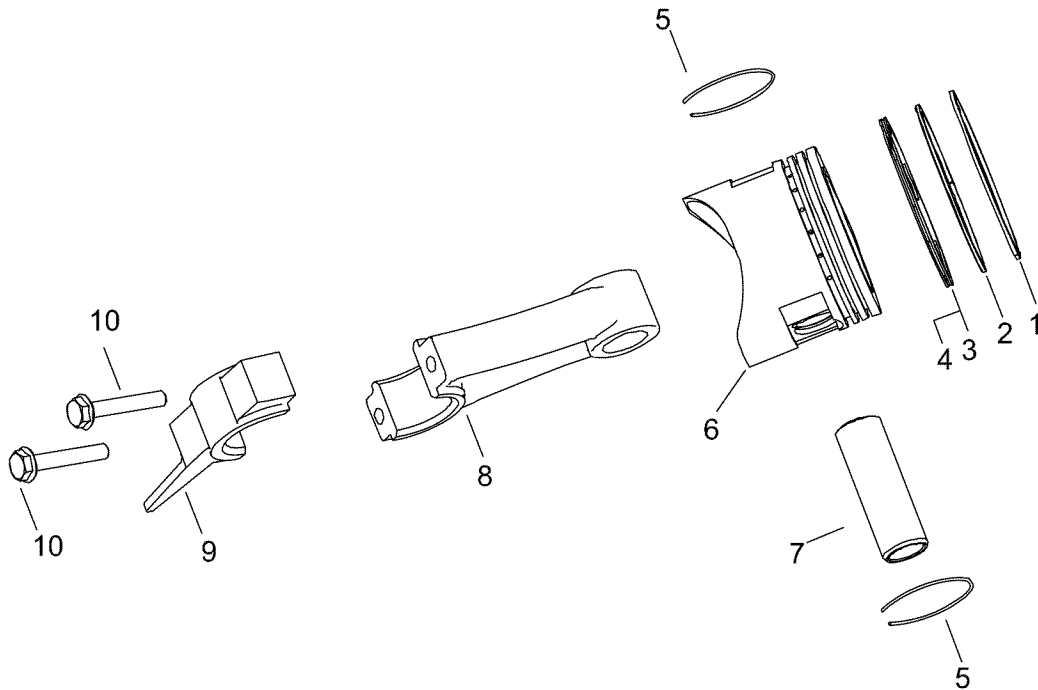


APA Part No.	Description	Part. No
SP-GG1000E-D-01-JD	CRANKSHAFT COMP.	JF420-D-02
SP-GG1000E-D-02-JD	BALANCER WEIGHT	JF340-D-04

Parts List

Piston and Connecting Rod System Assy.

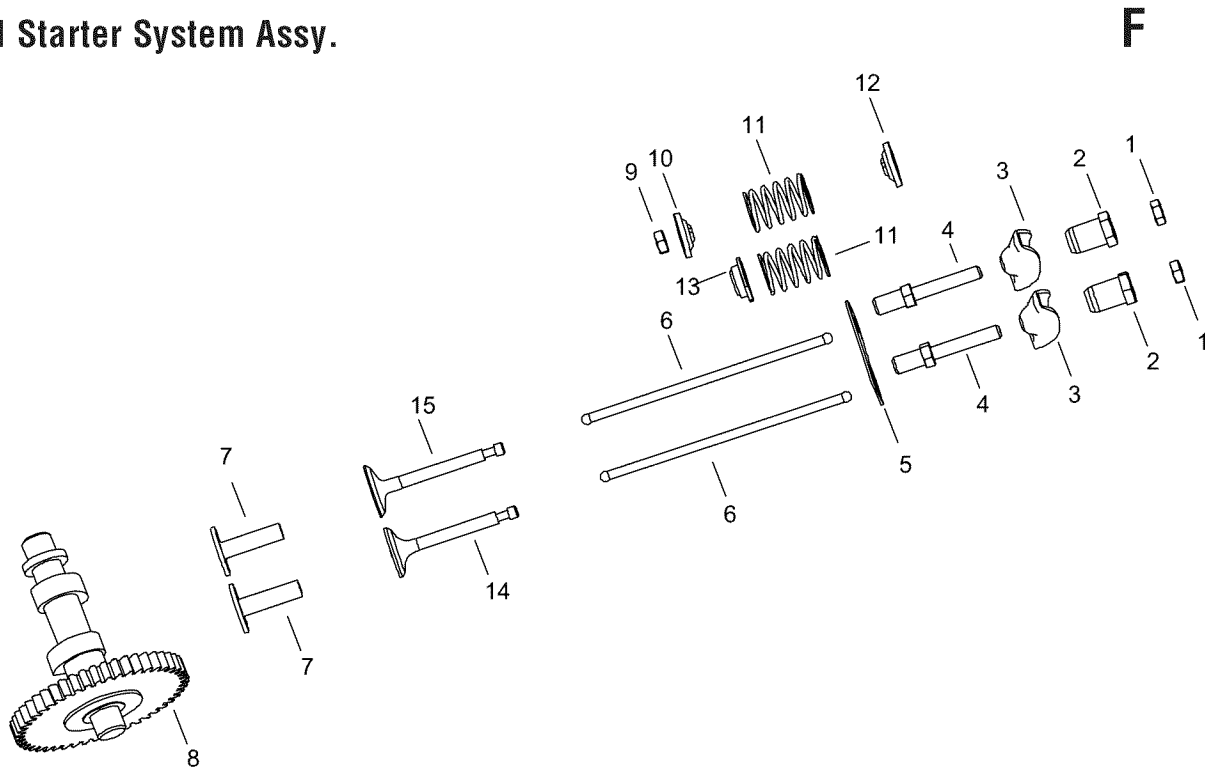
E



APA Part No.	Description	Part. No
SP-GG1000E-E-01-JD	COMPRESSION RING A	JF420-E-01
SP-GG1000E-E-02-JD	COMPRESSION RING B	JF420-E-02
SP-GG1000E-E-03-JD	OIL RING A	JF420-E-03
SP-GG1000E-E-04-JD	OIL RING B	JF420-E-04
SP-GG1000E-E-05-JD	PISTON PIN CLIP (20 mm)	JF420-E-05
SP-GG1000E-E-06-JD	PISTON	JF420-E-05
SP-GG1000E-E-07-JD	PISTON PIN	JF420-E-06
SP-GG1000E-E-08-JD	CONNECTING ROD	JF340-E-07
SP-GG1000E-E-09-JD	CONNECTING COVER	JF340-E-08
SP-GG1000E-E-10-JD	CONNECTING ROD BOLT	JF340-E-09

Parts List

Recoil Starter System Assy.

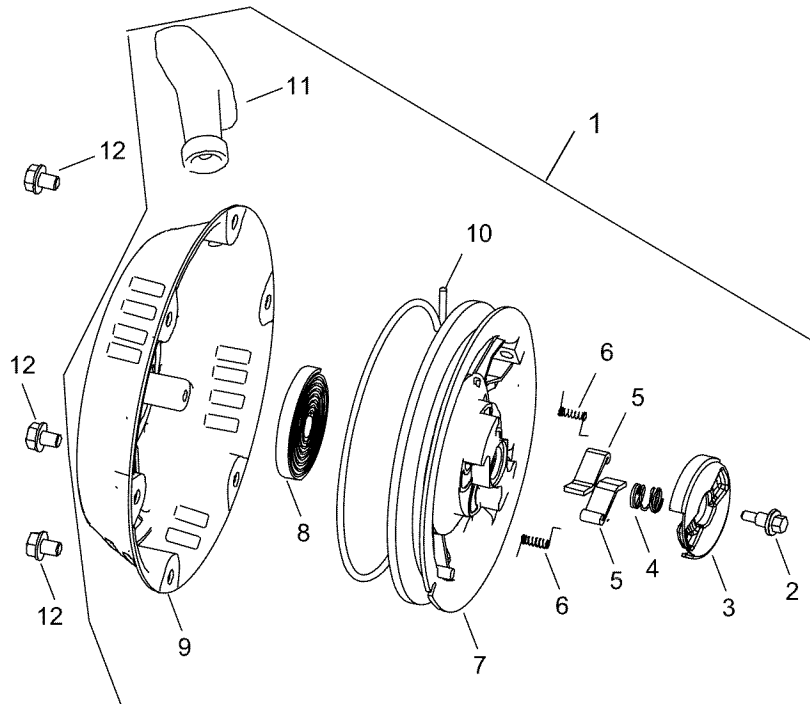


APA Part No.	Description	Part. No
SP-GG1000E-F-01-JD	PIVOT ADJUSTING NUT	JF340-F-01
SP-GG1000E-F-02-JD	ROCKER ARM PIVOT	JF340-F-02
SP-GG1000E-F-03-JD	ROCKER ARM	JF340-F-03
SP-GG1000E-F-04-JD	PIVOT BOLT (M8)	JF340-F-04
SP-GG1000E-F-05-JD	PUSH ROD GUIDE PLATE	JF340-F-05
SP-GG1000E-F-06-JD	ROD PUSH	JF240-F-06
SP-GG1000E-F-07-JD	VALVE LIFTER	JF240-F-07
SP-GG1000E-F-08-JD	CAMSHAFT	JF420-F-08
SP-GG1000E-F-09-JD	VALVE ROTATOR	JF340-F-06
SP-GG1000E-F-10-JD	EX. VALVE SPRING RETAINER	JF340-F-07
SP-GG1000E-F-11-JD	VALVE SPRING	JF340-F-08
SP-GG1000E-F-12-JD	VALVE SPRING SEAT	JF340-F-09
SP-GG1000E-F-13-JD	IN. VALVE SPRING RETAINER	JF340-F-10
SP-GG1000E-F-14-JD	IN. VALVE	JF340-F-11
SP-GG1000E-F-15-JD	EX. VALVE	JF340-F-12

Parts List

Recoil Starter System Assy.

G

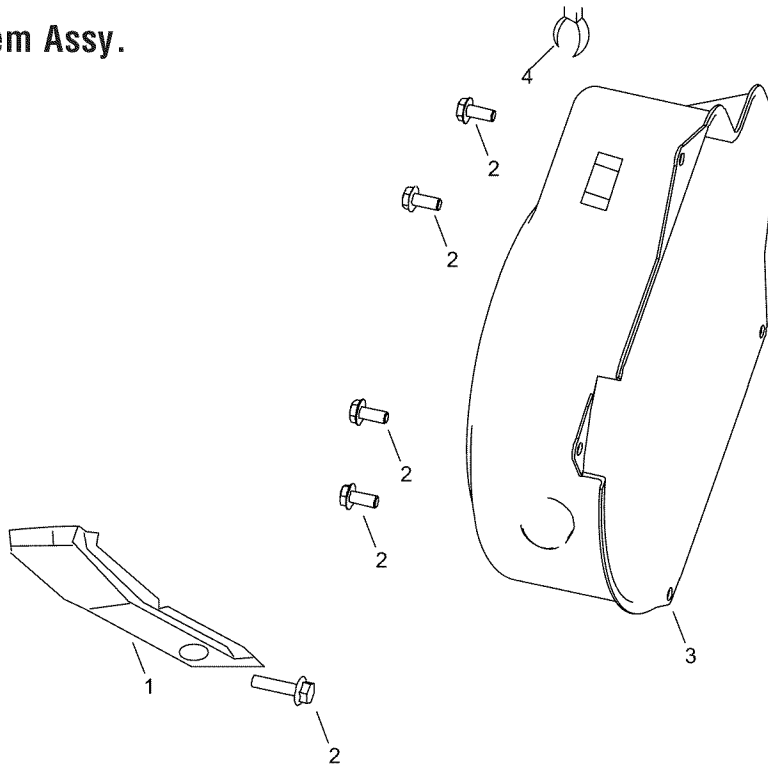


APA Part No.	Description	Part. No
SP-GG1000E-G-01-JD	RECOIL STARTER ASSY.	JF340-G-01
SP-GG1000E-G-02-JD	SETTING SCREW	JF340-G-02
SP-GG1000E-G-03-JD	SPRING RETAINER	JF340-G-03
SP-GG1000E-G-04-JD	PLATEN SPRING	JF340-G-04
SP-GG1000E-G-05-JD	STARTER RATCHET	JF340-G-05
SP-GG1000E-G-06-JD	RETURN SPRING	JF340-G-06
SP-GG1000E-G-07-JD	RECOIL STARTER REEL	JF340-G-07
SP-GG1000E-G-08-JD	RECOIL STARTER SPRING	JF340-G-08
SP-GG1000E-G-09-JD	RECOIL STARTER CASE COMP.	JF340-G-09
SP-GG1000E-G-10-JD	RECOIL STARTER ROPE	JF340-G-10
SP-GG1000E-G-11-JD	STARTER KNOB	JF340-G-11
SP-GG1000E-G-12-JD	FLANGE BOLT (M6X8)	JF340-G-12

Parts List

Fan Cover System Assy.

H

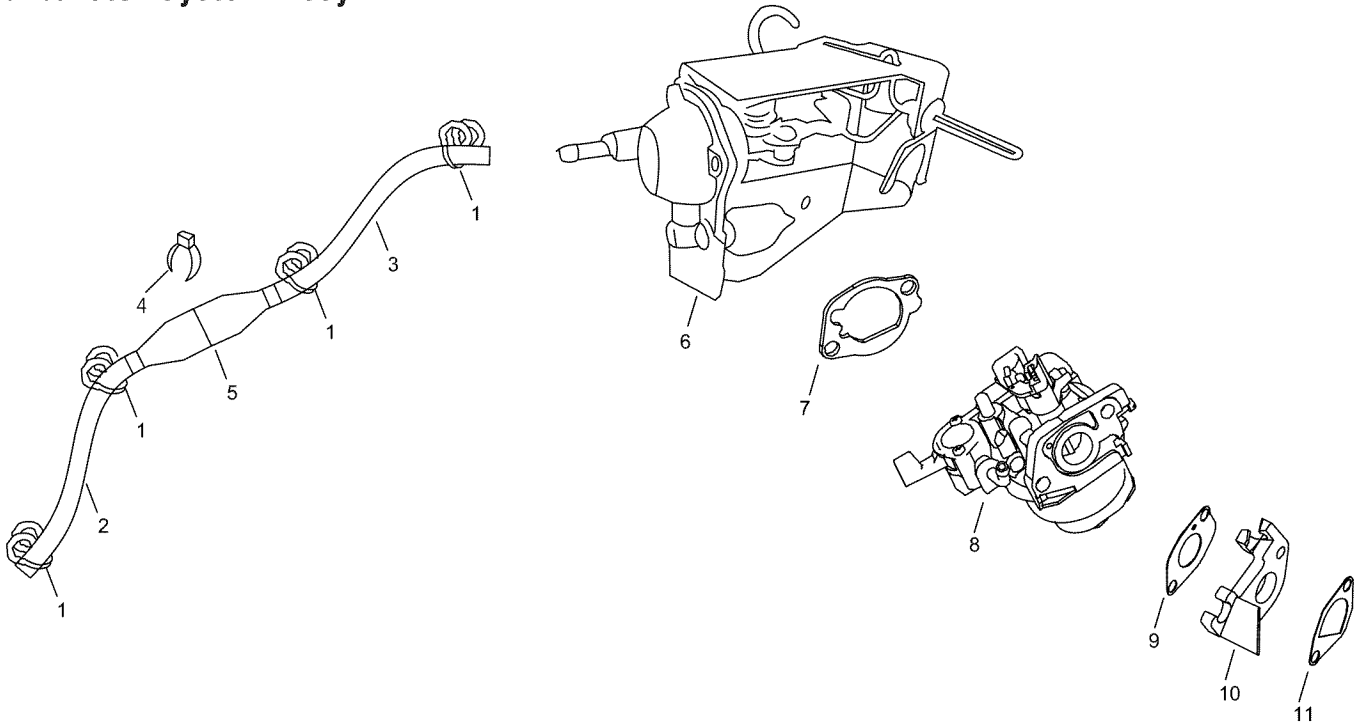


APA Part No.	Description	Part. No
SP-GG1000E-H-01-JD	SHROUD	JF340-H-01
SP-GG1000E-H-02-JD	FLANGE BOLT (M6 X 14)	JF340-H-02
SP-GG1000E-H-03-JD	FAN COVER COMP.	JF340-H-03
SP-GG1000E-H-04-JD	WIRE HARNESS CLIP	JF340-H-04

Parts List

Carburetor System Assy.

I

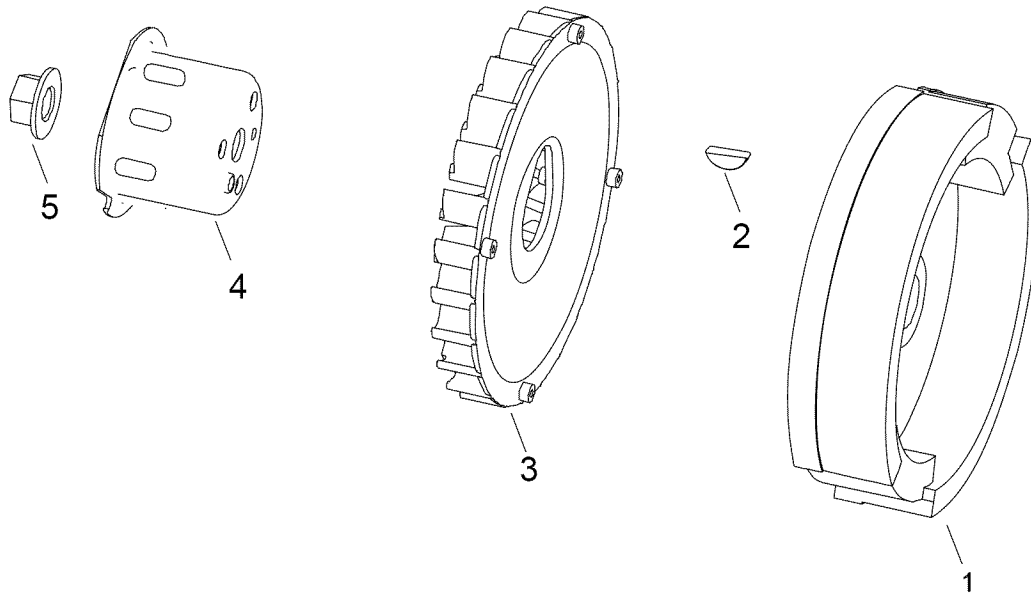


APA Part No.	Description	Part. No
SP-GG1000E-I-01-JD	TUBE CLIP	JD3800-B-01
SP-GG1000E-I-02-JD	TUBE A	JD3800-B-02
SP-GG1000E-I-03-JD	TUBE B	JD3800-B-03
SP-GG1000E-I-04-JD	WIPE HARNESS CLIP	JD3800-B-04
SP-GG1000E-I-05-JD	DASHPOT CHECK VALVE	JD3800-B-05
SP-GG1000E-I-06-JD	MANUAL CHOKE STAY ASSY.	JD3800-B-06
SP-GG1000E-I-07-JD	CARBURETOR IRON GASKET	JF340-I-05
SP-GG1000E-I-08-JD	CARBURETOR ASSY.	JF420-I-04B
SP-GG1000E-I-09-JD	CARBURETOR PAPER GASKET	JF340-I-03
SP-GG1000E-I-10-JD	CARBURETOR INSULATING PLATE	JF340-I-02B
SP-GG1000E-I-11-JD	INTAKE PIPE GASKET	JF340-I-01

Parts List

Flywheel System Assy.

J

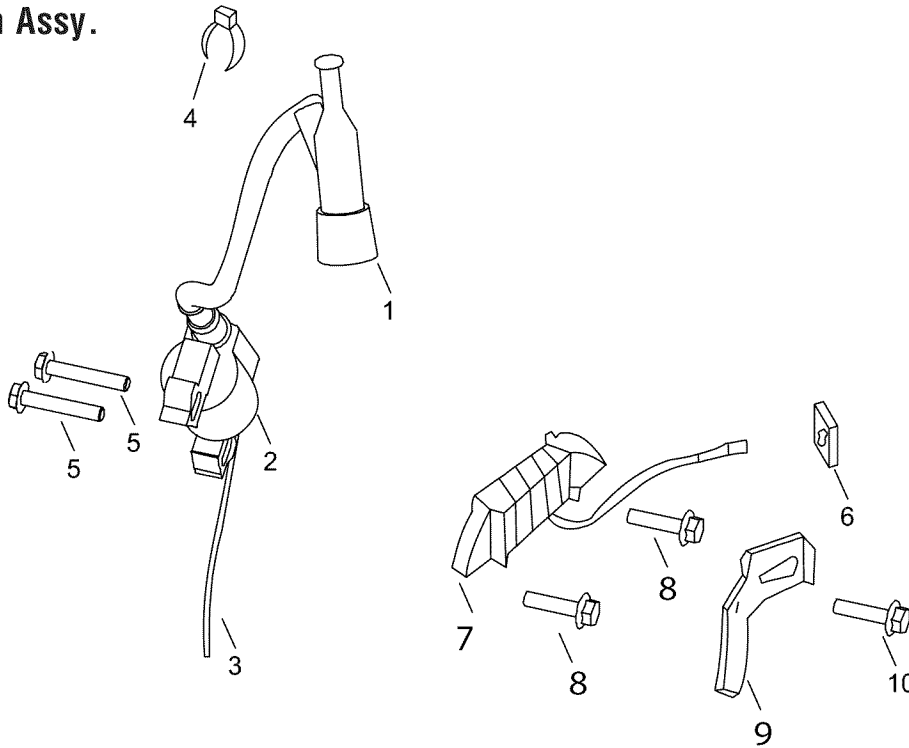


APA Part No.	Description	Part. No
SP-GG1000E-J-01-JD	FLYWHEEL	JF340-J-01B
SP-GG1000E-J-02-JD	SPECIAL WOODRUFF KEY	JF340-J-02
SP-GG1000E-J-03-JD	COOLING FAN	JF340-J-03
SP-GG1000E-J-04-JD	STARTER PULLEY	JF340-J-04
SP-GG1000E-J-05-JD	FLYWHEEL NUT (M16)	JF340-J-05

Parts List

Ignition System Assy.

K

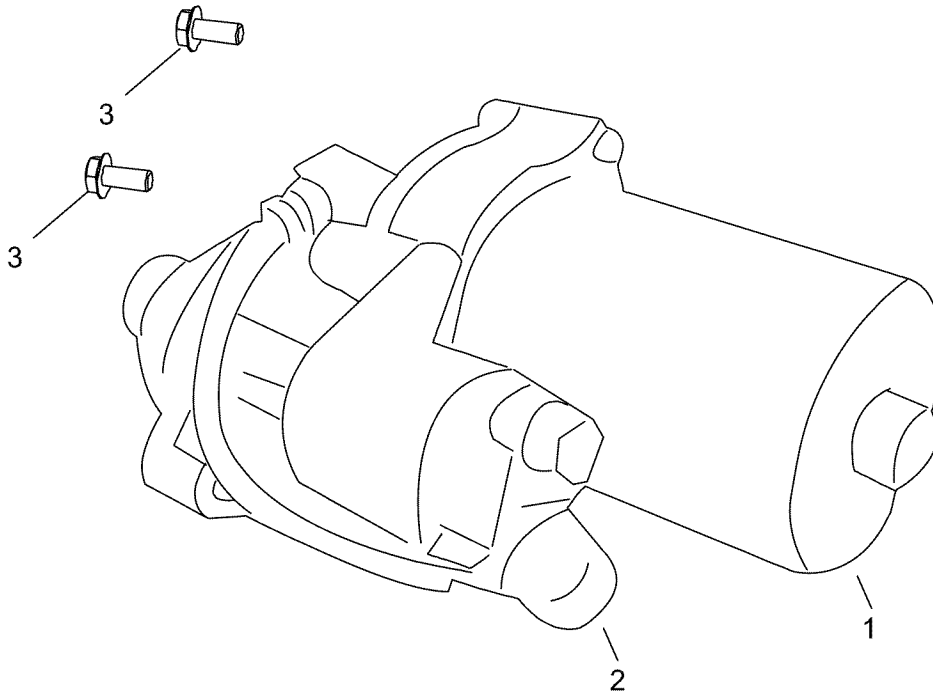


APA Part No.	Description	Part. No
SP-GG1000E-K-01-JD	SPARK PLUG CAP ASSY.	JF340-K-01
SP-GG1000E-K-02-JD	IGNITION COIL ASSY.	JF340-K-02
SP-GG1000E-K-03-JD	STOP SWITCH CORD	JF340-K-03
SP-GG1000E-K-04-JD	STOP SWITCH CORD HOLDER	JF340-K-04
SP-GG1000E-K-05-JD	FLANGE BOLT (M6 X 25)	JF340-K-05
SP-GG1000E-K-06-JD	CORD GROMMET	JF340-K-06
SP-GG1000E-K-07-JD	CHARGE COIL ASSY.	JF340-K-07
SP-GG1000E-K-08-JD	FLANGE BOLT (M6 X 40)	JF340-K-08
SP-GG1000E-K-09-JD	CORD CLAMPER	JF340-K-09
SP-GG1000E-K-10-JD	FLANGE BOLT (M6X20)	JF340-K-10

Parts List

Starter Motor System Assy. .

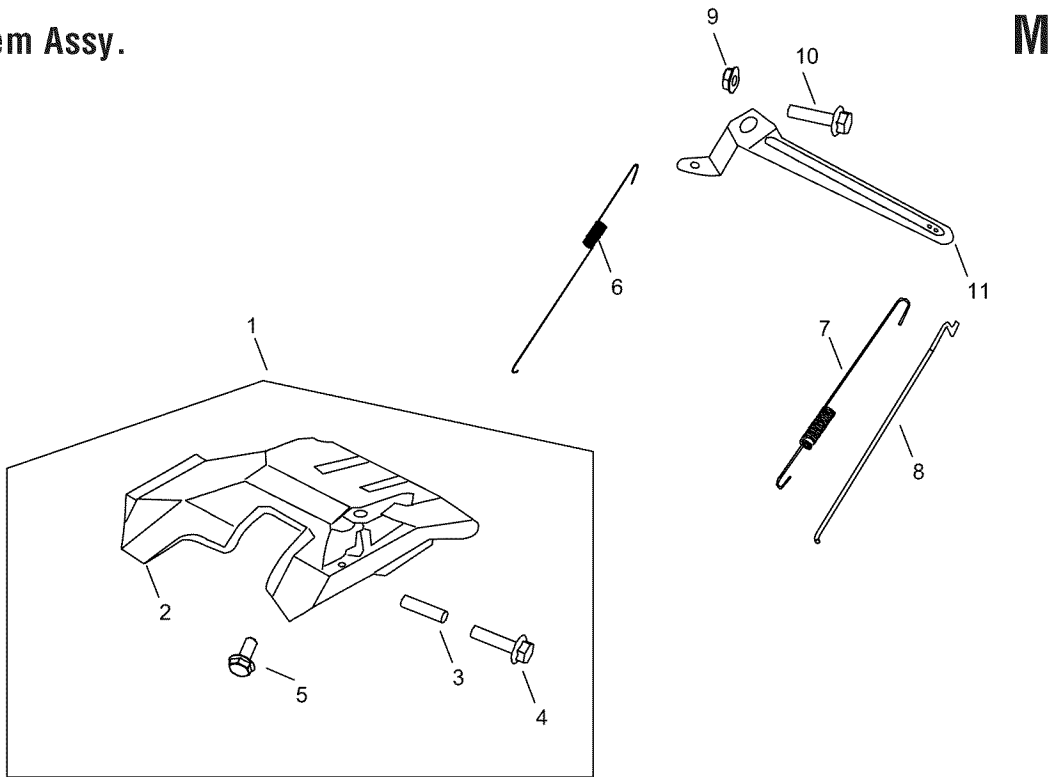
L



APA Part No.	Description	Part. No
SP-GG1000E-L-01-JD	STARTER MOTOR	JF340-L-01
SP-GG1000E-L-02-JD	SOLENOID	JF340-L-02
SP-GG1000E-L-03-JD	FLANGE BOLT (M8×35)	JF340-L-03

Parts List

Control System Assy.

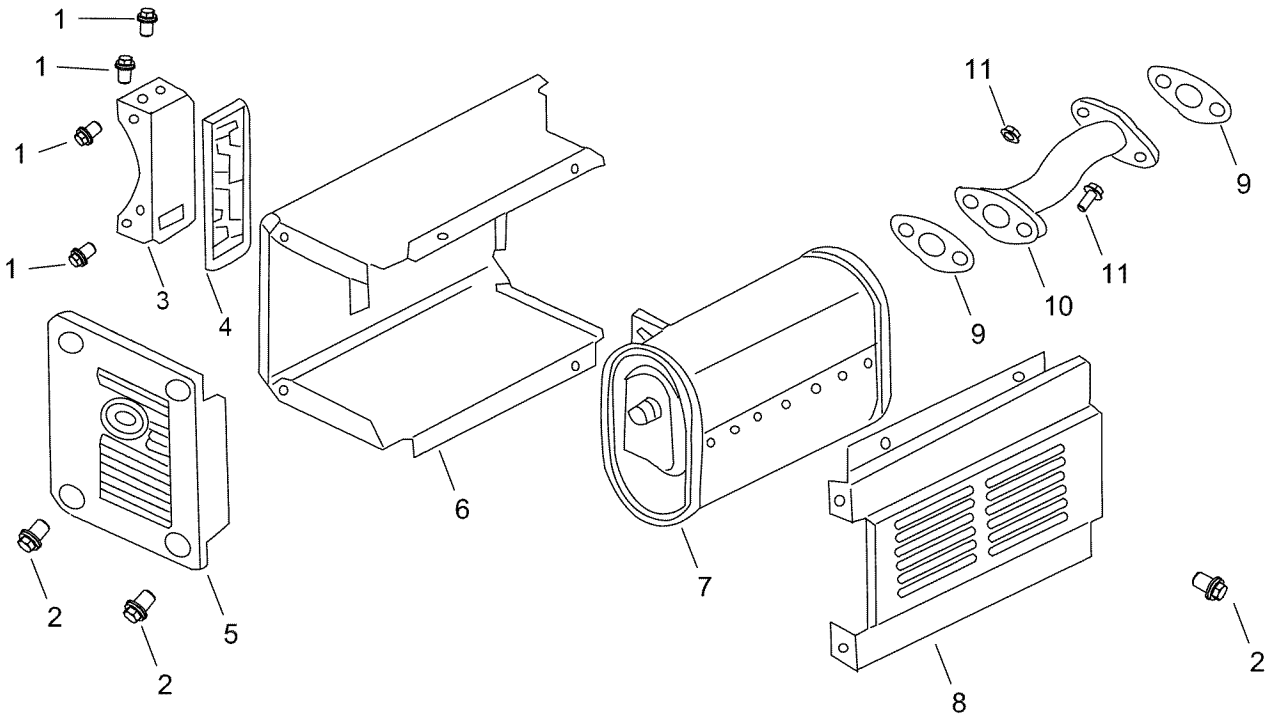


APA Part No.	Description	Part. No
SP-GG1000E-M-01-JD	CONTROL ASSY.	JF340-M-01B
SP-GG1000E-M-02-JD	CONTROL BASE COMP.	JF340-M-02B
SP-GG1000E-M-03-JD	CONTROL ADJUSTING	JF340-M-03
SP-GG1000E-M-04-JD	PAN SCREW (M5 X 34)	JF340-M-04
SP-GG1000E-M-05-JD	FLANGE BOLT (M6 X 14)	JF340-M-05
SP-GG1000E-M-06-JD	GOVERNOR SPRING	JF340-M-06
SP-GG1000E-M-07-JD	THROTTLE RETURN SPRING	JF340-M-07
SP-GG1000E-M-08-JD	GOVERNOR ROD	JF340-M-08
SP-GG1000E-M-09-JD	FLANGE NUT (M6)	JF340-M-09
SP-GG1000E-M-10-JD	GOVERNOR ARM BOLT (M6)	JF340-M-10
SP-GG1000E-M-11-JD	GOVERNOR ARM	JF340-M-11

Parts List

Muffler System Assy.

N

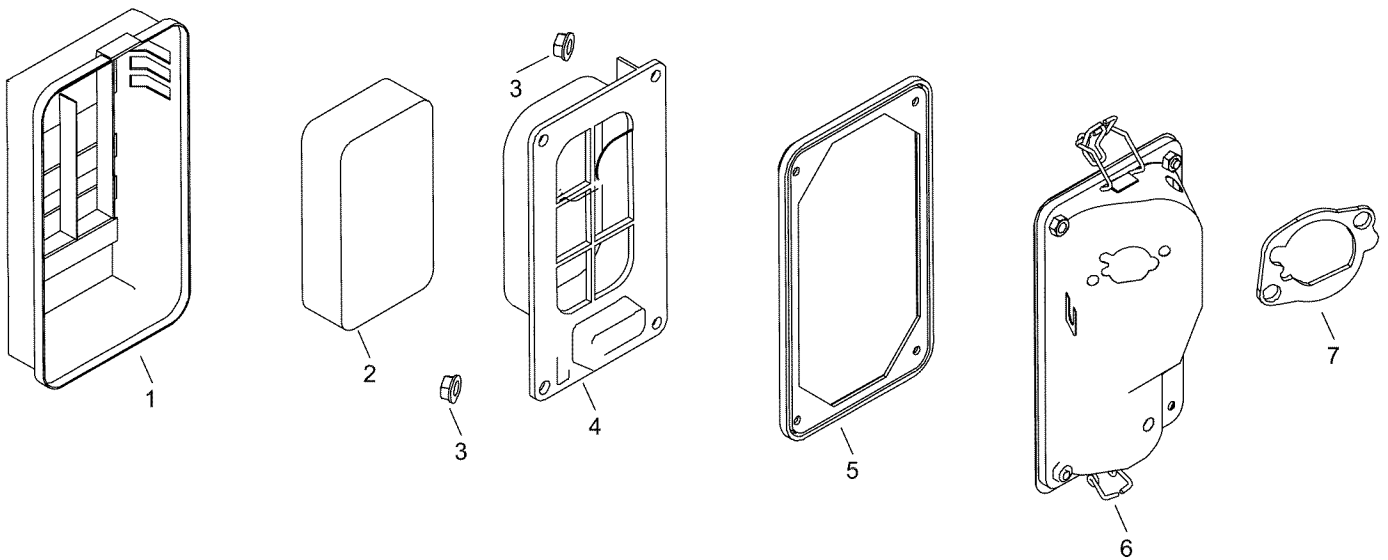


APA Part No.	Description	Part. No
SP-GG1000E-N-01-JD	FLANGE BOLT (M8 X 16)	JD3800-B-01
SP-GG1000E-N-02-JD	FLANGE BOLT (M6 X 12)	JD3800-B-02
SP-GG1000E-N-03-JD	MUFFLER STAY COMP.	JD3800-B-03
SP-GG1000E-N-04-JD	MUFFLER PROTECTOR SEAL	JD3800-B-04
SP-GG1000E-N-05-JD	MUFFLER SIDE PROTECTOR	JD3800-B-05
SP-GG1000E-N-06-JD	MUFF. INNER PROTECTOR COMP.	JD8000-A-01
SP-GG1000E-N-07-JD	MUFFLER COMP,	JD8000-A-02
SP-GG1000E-N-08-JD	MUFF. OUTER PROTECTOR COMP.	JD3800-B-08
SP-GG1000E-N-09-JD	EX. PIPE GASKET	JD3800-B-09
SP-GG1000E-N-10-JD	EX PIPE COMP.	JD3800-B-10
SP-GG1000E-N-11-JD	FLANGE BOLT (M8 X 25)	JD3800-B-11
SP-GG1000E-N-12-JD	FLANGE NUT (M8)	JD3800-B-12

Parts List

Air Cleaner

0

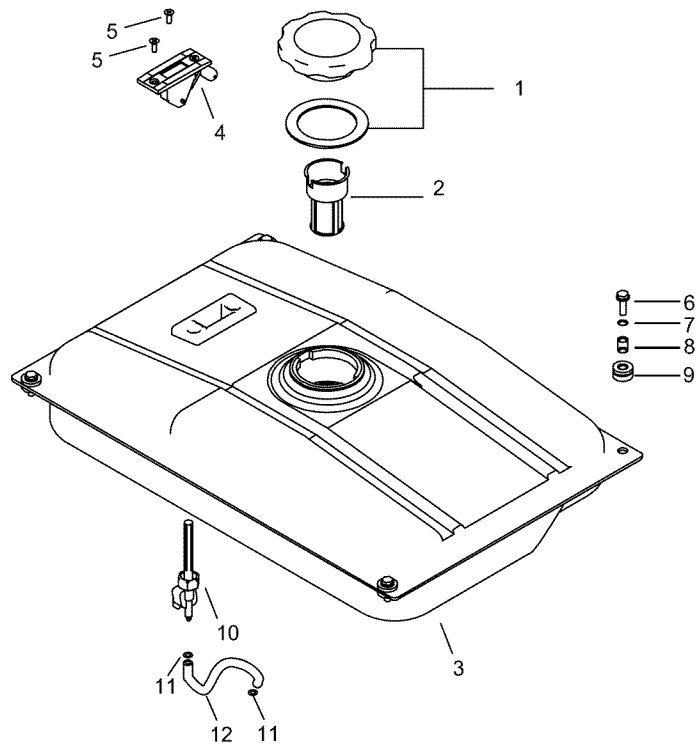


APA Part No.	Description	Part. No
SP-GG1000E-O-01-JD	AIR CLEANER COVER COMP	JD3800-C-01
SP-GG1000E-O-02-JD	AIR CLEANER ELEMENT	JD3800-C-02
SP-GG1000E-O-03-JD	FLANGE NUT (M5)	JD3800-C-03
SP-GG1000E-O-04-JD	AIR CLEANER SEPARATOR	JD3800-C-04
SP-GG1000E-O-05-JD	AIR CLEANER SEAL	JD3800-C-05
SP-GG1000E-O-06-JD	AIR CLEANER CASE COMP	JD3800-C-06
SP-GG1000E-O-07-JD	GASKET	JF340-A-13B

Parts List

Fuel Tank System Assy.

P

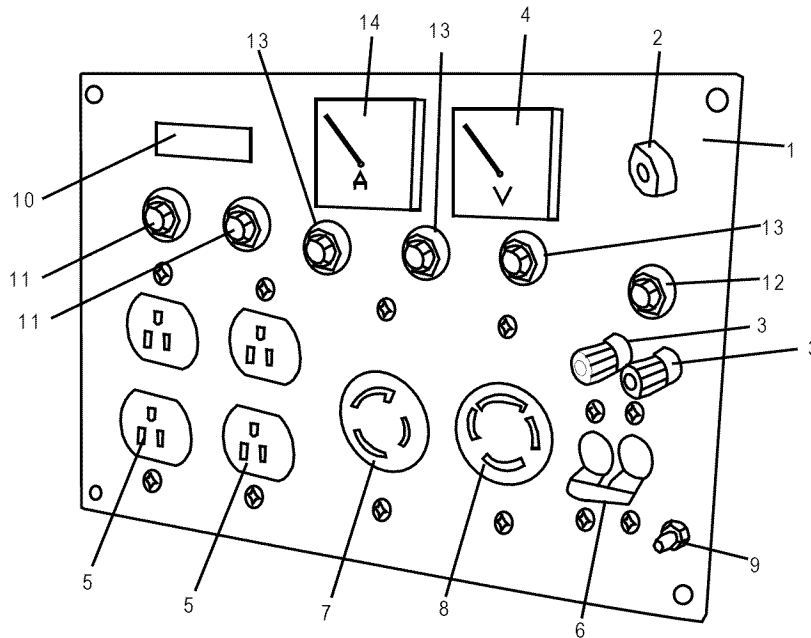


APA Part No.	Description	Part. No
SP-GG1000E-P-01-JD	FUEL FILLER CAP COMP	JD3800-D-01
SP-GG1000E-P-02-JD	FUEL FILTER	JD3800-D-02
SP-GG1000E-P-03-JD	FUEL TANK COMP.	JD3800-D-03
SP-GG1000E-P-04-JD	FUEL METER ASSY.	JD3800-D-04
SP-GG1000E-P-05-JD	FLAT SCREW	JD3800-D-05
SP-GG1000E-P-06-JD	FLANGE BOLT	JD3800-D-06
SP-GG1000E-P-07-JD	AIR DUCT WASHER	JD3800-D-07
SP-GG1000E-P-08-JD	TANK CUSHION WASHER	JD3800-D-08
SP-GG1000E-P-09-JD	TANK CUSHION RUBBER	JD3800-D-09
SP-GG1000E-P-10-JD	FUEL VALVE	JD3800-D-10
SP-GG1000E-P-11-JD	TUBE CLIP	JD3800-D-11
SP-GG1000E-P-12-JD	FUEL TUBE	JD3800-D-12

Parts List

Control Box Assy

Q

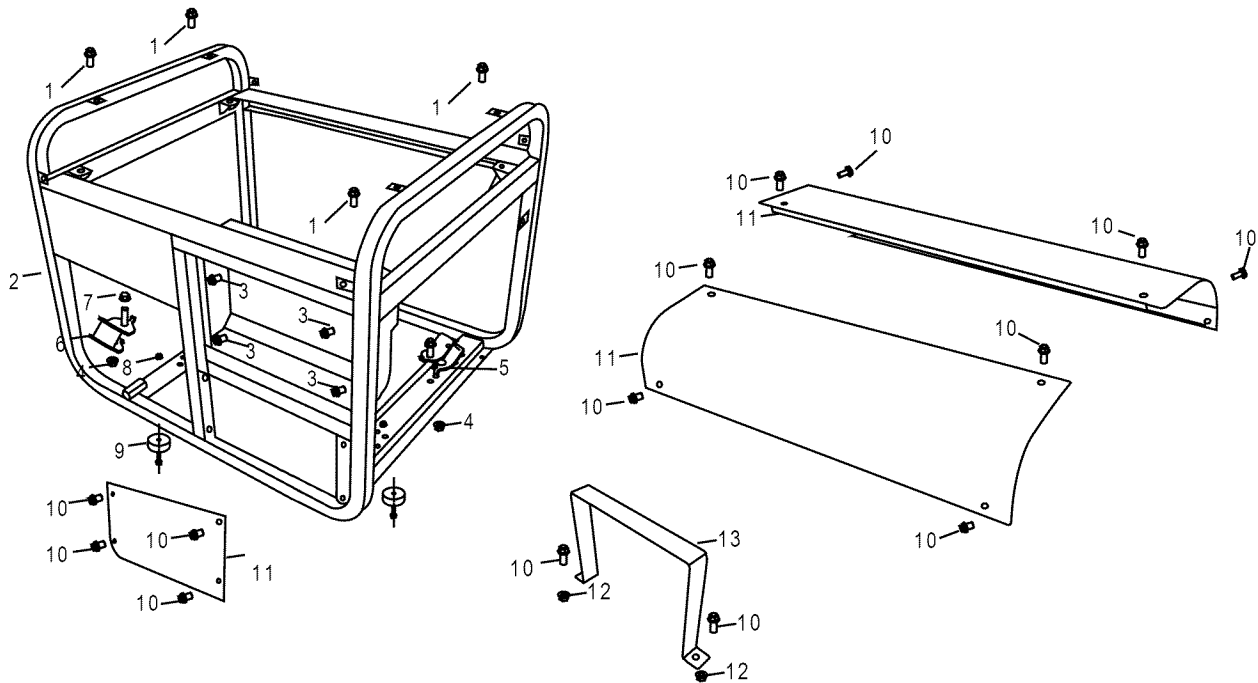


APA Part No.	Description	Part. No
SP-GG1000E-Q-01-JD	CONTROL PANEL COMP.	JD8000E-E-01
SP-GG1000E-Q-02-JD	ENGINE SWITCH ASSY.	JD6500BST-E-02
SP-GG1000E-Q-03-JD	DC 12V OUTPUT	JD6500BST-E-03
SP-GG1000E-Q-04-JD	VOLTMETER ASSY.	JD6500BST-E-04
SP-GG1000E-Q-05-JD	120V RECEPTACLE(Ru-22)	JD6500BST-E-05
SP-GG1000E-Q-06-JD	CIRCUIT BREAKER 20A	JD8000E-E-06
SP-GG1000E-Q-07-JD	120V RECEPTACLE(L5-30)	JD6500BST-E-07
SP-GG1000E-Q-08-JD	240V RECEPTACLE(L14-30)	JD6500BST-E-08
SP-GG1000E-Q-09-JD	EARTH TERMINAL SCREW	JD6500BST-E-09
SP-GG1000E-Q-10-JD	HOUR METER	JD8000E-E-10
SP-GG1000E-Q-11-JD	CIRCUIT PROTECTOR 20A	JD6500BST-E-11
SP-GG1000E-Q-12-JD	CIRCUIT BREAKER 10A	JD6500BST-E-12
SP-GG1000E-Q-13-JD	CIRCUIT PROTECTOR 30A	JD8000E-E-13
SP-GG1000E-Q-14-JD	AMPERMETER	JD8000E-E-14

Parts List

Frame Comp Assy.

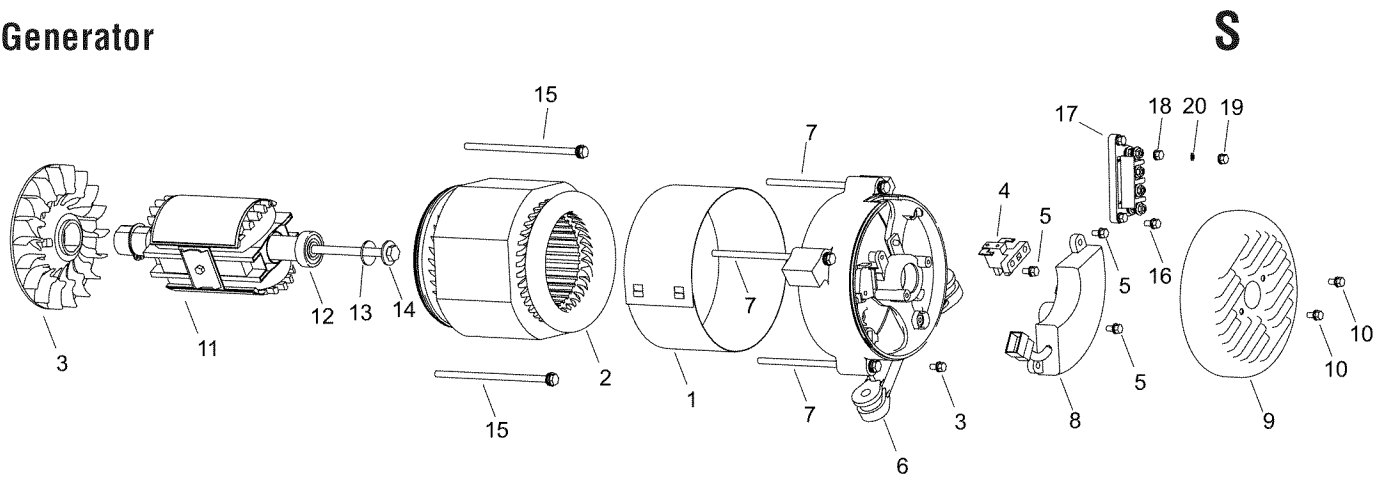
R



APA Part No.	Description	Part. No
SP-GG1000E-R-01-JD	FUEL TANK MOUNTING BOLT	JD3800-F-01
SP-GG1000E-R-02-JD	FRAME COMP.	JD8000-F-02
SP-GG1000E-R-03-JD	FLANGE BOLT (M6X 12)	J03800-F-03
SP-GG1000E-R-04-JD	FLANGE NUT (M8)	JD3800-F-04
SP-GG1000E-R-05-JD	MOTOR MOUNT (LEFT)	JD3800-F-05
SP-GG1000E-R-06-JD	MOTOR MOUNT (RIGHT)	JD3800-F-06
SP-GG1000E-R-07-JD	FLANGE NUT (M10)	JD3800-F-07
SP-GG1000E-R-08-JD	FLANGE NUT (M10)	JD3800-F-08
SP-GG1000E-R-09-JD	RUBBER FOOT	JD8000-F-09
SP-GG1000E-R-10-JD	FLANGE BOLT (M6X 12)	JD3800-F-10
SP-GG1000E-R-11-JD	COVER BOARD	JD8000-F-11
SP-GG1000E-R-12-JD	FLANGE NUT (M6)	JD8000-F-11
SP-GG1000E-R-13-JD	BATTERY BRACKET	JD8000-F-11

Parts List

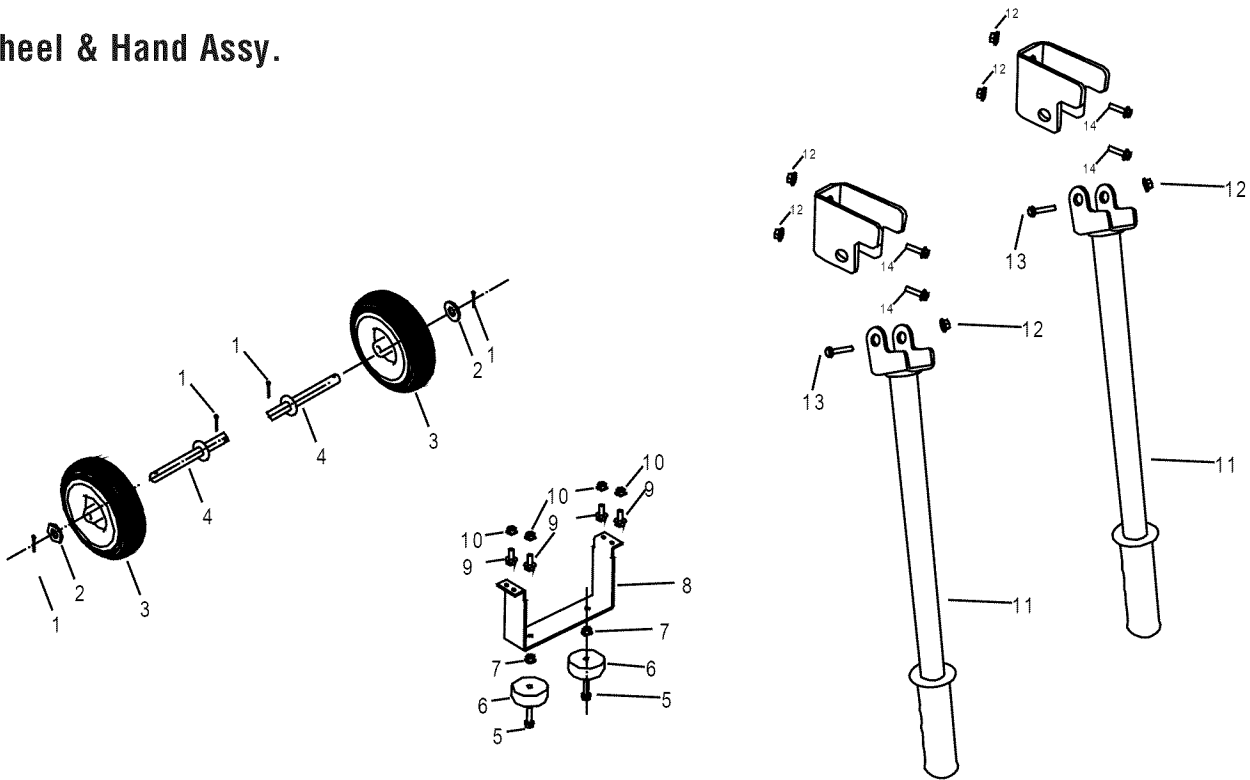
Generator



APA Part No.	Description	Part. No
SP-GG1000E-S-01-JD	STATOR COVER	JD6500-D-01
SP-GG1000E-S-02-JD	STATOR ASSY.	JD6500-D-02
SP-GG1000E-S-03-JD	COOLING FAN	JD6500-G-03
SP-GG1000E-S-04-JD	BRUSH ASSY.	JD3800-G-04
SP-GG1000E-S-05-JD	TAPPING SCREW	JD3800-G-05
SP-GG1000E-S-06-JD	GENERATOR STAY	JD3800-G-06
SP-GG1000E-S-07-JD	FLANGE BOLT (M6X197)	JD8000-G-08
SP-GG1000E-S-08-JD	AUTO VOLTAGE REG. ASSY.	JD8000-G-09
SP-GG1000E-S-09-JD	GENERATOR COVER	JD3800-G-10
SP-GG1000E-S-10-JD	FLANGE BOLT	JD3800-G-12
SP-GG1000E-S-11-JD	ROTOR COMP.	JD8000-D-03
SP-GG1000E-S-12-JD	BEARING ASSY.	JD3800-G-14
SP-GG1000E-S-13-JD	PLAIN WASHER	JD3800-G-15
SP-GG1000E-S-14-JD	FLANGE BOLT (M10X283)	JD8000-D-04
SP-GG1000E-S-15-JD	FLANGE BOLT (M5X232)	JD8000-D-05
SP-GG1000E-S-16-JD	HEX.BOLT (M5 X 20)	JD3800-G-18
SP-GG1000E-S-17-JD	VOLT CHANGE TERMINAL BR-AC-W	JD3800-G-19
SP-GG1000E-S-18-JD	PLAIN WASHER (5mm)	JD3800-G-20
SP-GG1000E-S-19-JD	HEX. NUT (M5)	JD3800-G-21
SP-GG1000E-S-20-JD	SPRING WASHER (5mm)	JD3800-G-22

Parts List

Wheel & Hand Assy.



APA Part No.	Description	Part. No
SP-GG1000E-T-01-JD	COTTER PIN	JD6500-T-01
SP-GG1000E-T-02-JD	PLAIN WSHER	JD6500-T-02
SP-GG1000E-T-03-JD	WHEEL	JD8000-T-03
SP-GG1000E-T-04-JD	SHAFT	JD8000-T-04
SP-GG1000E-T-05-JD	FLANGE BOLT	JD6500-T-05
SP-GG1000E-T-06-JD	VIBRATION ABSORBER	JD6500-T-06
SP-GG1000E-T-07-JD	FLANGE NUT (M8)	JD6500-T-07
SP-GG1000E-T-08-JD	STAND	JD6500-T-08
SP-GG1000E-T-09-JD	FLANGE BOLT (M6X 16)	JD6500-T-09
SP-GG1000E-T-10-JD	FLANGE NUT (M8)	JD6500-T-10
SP-GG1000E-T-11-JD	HANDLE	JD8000-T-11
SP-GG1000E-T-12-JD	FLANGE NUT (M8)	JD8000-T-12
SP-GG1000E-T-13-JD	FLANGE BOLT (M8)	JD8000-T-13
SP-GG1000E-T-14-JD	FLANGE BOLT (M8)	JD8000-T-14
SP-GG1000E-T-15-JD	HANDLE BRACKET	JD8000-T-15