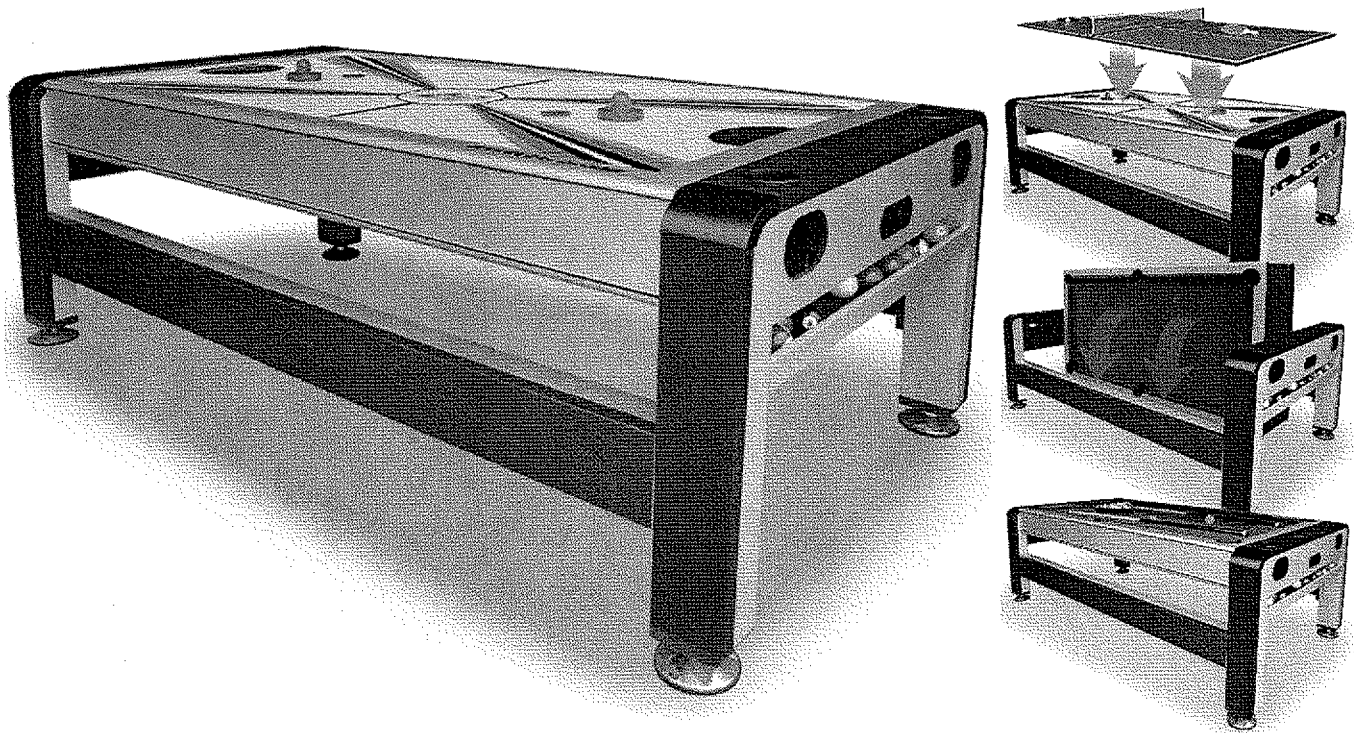


ITEM# 1-1-37003



# 84 in / 2,13 m SWIVEL TABLE

*3 Great Games in 1 – Tres grandes juegos en uno*



## Assembly Instructions Model # 37003

[www.eastpointsports.com](http://www.eastpointsports.com)

TWO OR MORE ADULTS REQUIRED FOR ASSEMBLY

# IMPORTANT SAFETY INSTRUCTIONS

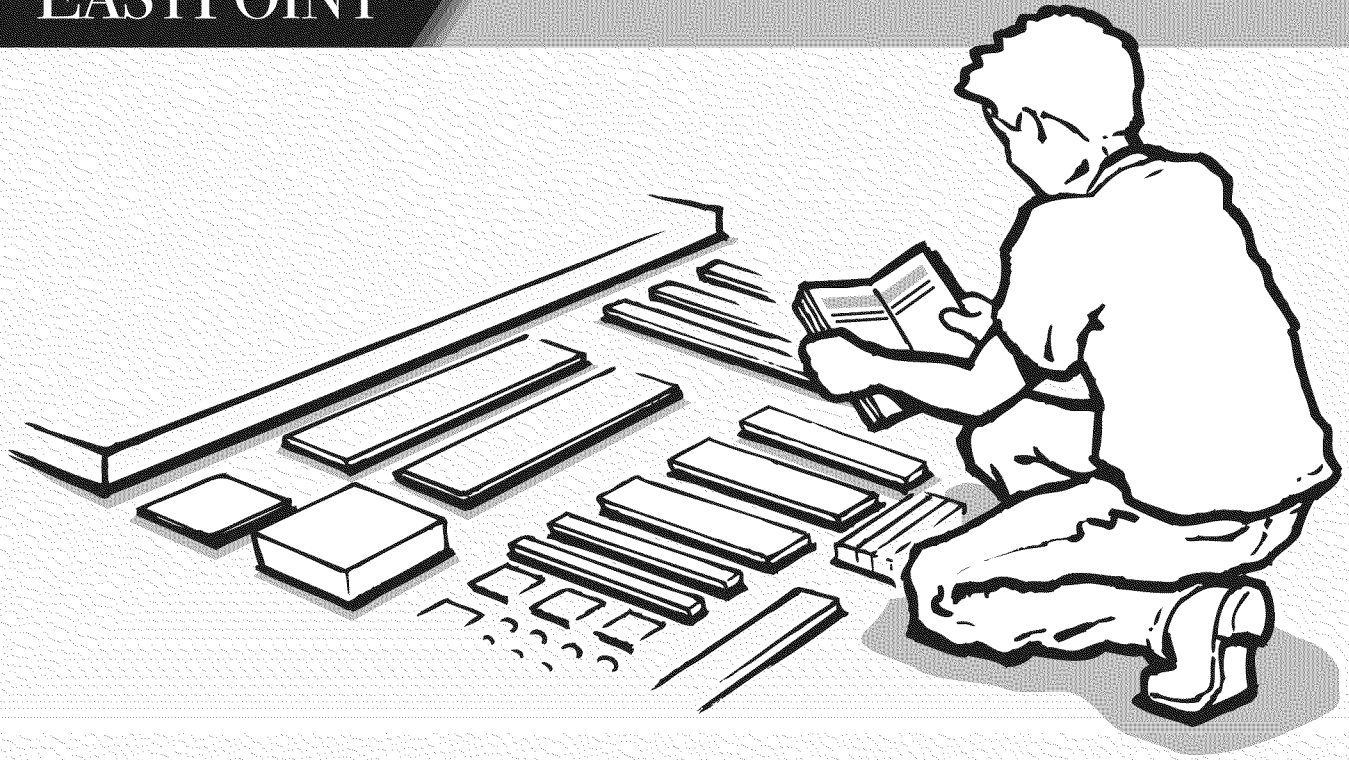
- 1. Read all instructions** – All the safety and operating instructions should be read carefully before this Hover Hockey table can be operated or played.
- 2. Caution** – This is not a toy and is intended for use by or under the supervision of adults. Adults should review safety guidelines with children to avoid possible risk of electric shock or other injuries.
- 3. Caution** – This table rotates on a central axis and can pose a small risk of a pinch hazard. Keep hands clear when swivel cabinet is in motion.
- 4. Power Sources** – This Hover Hockey game should be operated only from 100-125V A.C., 50/60 cycle current as indicated on the identification label. If you are not sure of the type of power supply to your home, consult your appliance dealer or local power company.
- 5. Power Cord Protection** – Power cord should be routed so that it is not likely to be walked on or pinched by items placed upon or against it. Pay particular attention to cords at plugs, convenience receptacles, and the point of exit from the game.
- 6. Overloading** – Do not overload wall outlets and extension cords as this can result in a risk of fire or electric shock.
- 7. Object and Liquid Entry** – Never push objects of any kind into this game through openings as they may touch dangerous voltage points or short-out parts which could result in a fire or electric shock. Never spill liquid of any kind on the game. If cleaning the surface, follow the recommended manufacturer instructions or call technical support for guidance.
- 8. Ventilation** – Openings in the game are provided for the exhaust air to create a cushion/floating effect. The openings on the air blower are for the intake air. Keep clear of the air blower during operation. Do not allow hand, hair, or any other objects near the intake openings. To ensure reliable operation of the game and protect it from overheating, these openings must not be blocked or covered.
- 9. Damage Requiring Service** – Unplug the game from the wall outlet/receptacle. Do not attempt to service the blower yourself as while opening and/or removing covers may expose you/others to dangerous voltage or other hazards. Refer servicing to qualified service personnel under the following conditions:
  - When the power supply cord is damaged.
  - If liquid has spilled, or objects have fallen into the blower.
  - When the air blower exhibits a distinct change in performance – i.e. abnormal noise, too much/too little air flow, this indicates a need for service
- 10. Grounding or Polarization** – This game is equipped with a polarized alternating current line plug (a plug having one blade wider than the other). This plug will fit into the power outlet only one way. This is a safety feature. If you are unable to insert the plug fully into the outlet, try reversing the plug. If the plug should still fail to fit, contact your electrician to replace your obsolete outlet. DO NOT defeat the safety purpose of the polarized plug.
- 11. CAUTION – ELECTRICALLY OPERATED PRODUCT** – Not recommended for children under 8 years of age. As with all electrical products, precautions should be observed during handling and use to reduce the risk of electric shock.
- 12. We recommend** – that the game be periodically examined for conditions that may result in the risk of fire, electrical shock, or injury to persons. In the event such conditions exist, the game should not be used until properly repaired.
- 13. Storage Conditions** – This product is made from wood based components and is sensitive to extreme temperatures and moisture / humidity. Subject to these conditions will effect game play, cosmetics and longevity.

## Save These INSTRUCTIONS

**Warning:** To Reduce The Risk Of Fire Or Electric Shock, Do Not Use This Fan With Any Solid-State Speed Control Device



**EASTPOINT**



## **IMPORTANT - Lay out all parts before you begin**

- Please review the parts identifier and make sure that you have all parts before beginning assembly.
- If any questions or issues, please contact us at 1-973-585-4747 **BEFORE** returning the product to the original place of purchase.
- Please keep your original sales receipt. Staple it on the adjacent page in the space provided for future reference/use. It will be required to receive service help or parts under warranty.

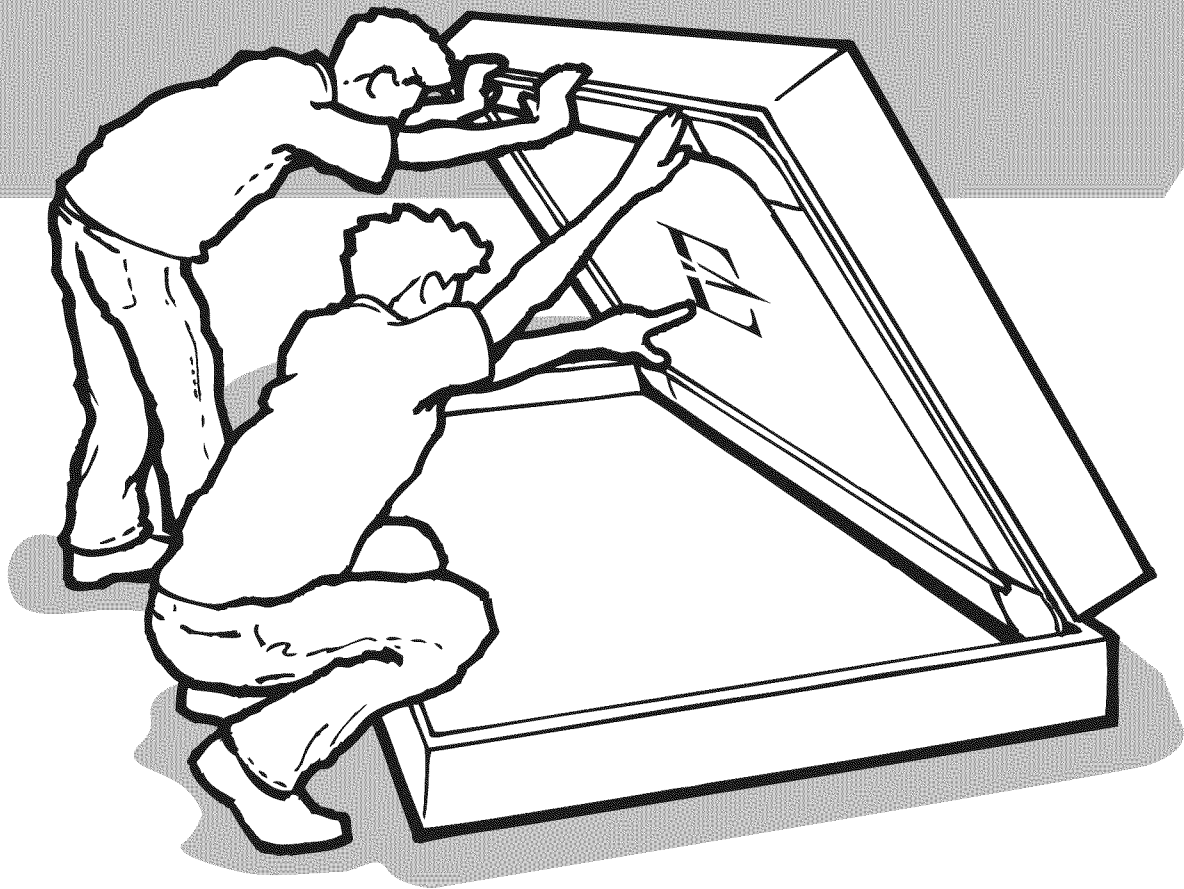
## **CONTACT INFO**

### **Hours**

**Monday to Friday**  
(9:00am to 5pm EST)

### **Technical Support or Replacement Parts**

Email us at: **consumerservice@eastpointsports.com**  
Visit us at: **www.eastpointsports.com**  
Call: **973-585-4747**



## **BEFORE BUILDING - Please inspect your playfield**

Your Cabinet (holds Billiard table and Hockey Playfield) is **NOT replaceable**. Any damage that exists to your playfield is not repairable under warranty. If your playfield is damaged, the entire game must be returned to the original place of purchase for an exchange.

**Please attach  
RECEIPT HERE**

It will be required to receive service help or parts under warranty.

# TOOLS

## Required

- 1 - Phillips Head Screwdriver (Standard Size) – Not Included
- 1 – Hex Wrench – Included
- 1 – Allen Wrench - Included

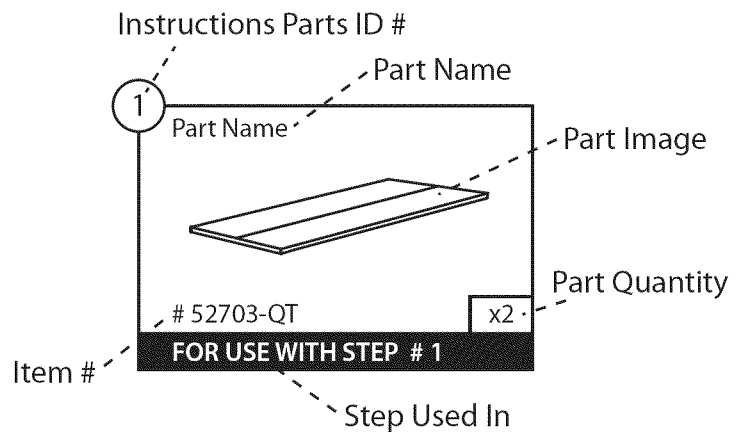
## Recommended (Not Required):

- Electric Screwdriver or Power Driver  
**CAUTION – DO NOT OVER TIGHTEN.** Over Tightening will result in irreparable damage to the product. If using, please make sure that the tool is set to a very low torque to prevent damage to the product.
- Socket Wrench Set

## How to use the: PARTS IDENTIFIER

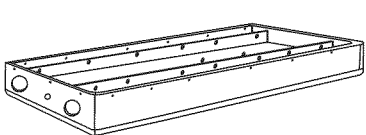
Before you begin assembly, please make sure that you have all the parts listed and in the correct quantities. This will ensure the quickest and most organized assembly.

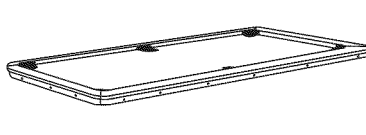
Be sure to work on the assembly on a soft non-marring surface such as carpet or the inside of the corrugate box top to prevent causing damage to the table surface during assembly.

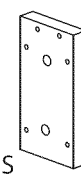


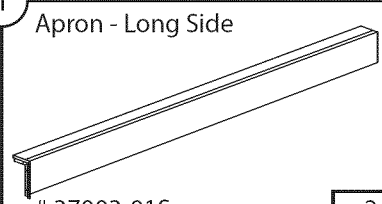
# PARTS IDENTIFIER


## Components

98 Cabinet - Hockey  
  
 # 37003-98S x1  
**FOR USE WITH STEP # 1**

99 Cabinet - Billiards  
  
 # 37003-99S x1  
**FOR USE WITH STEP # 1**

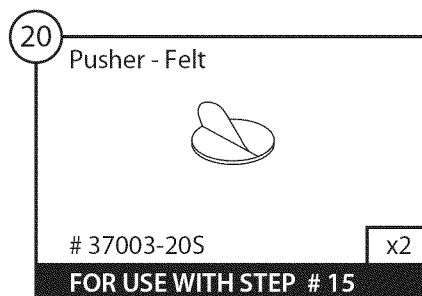
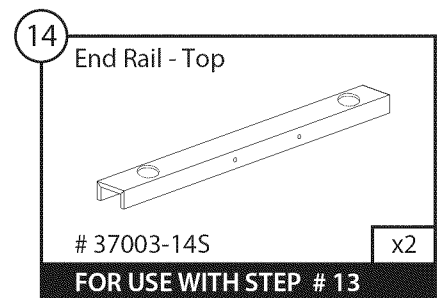
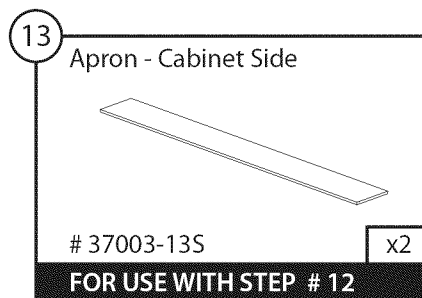
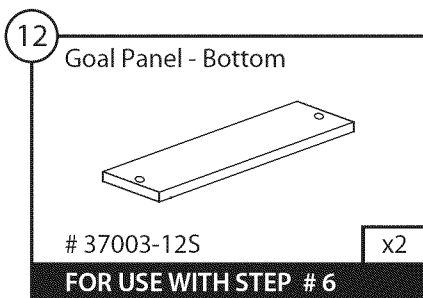
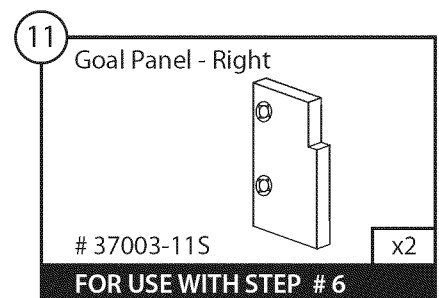
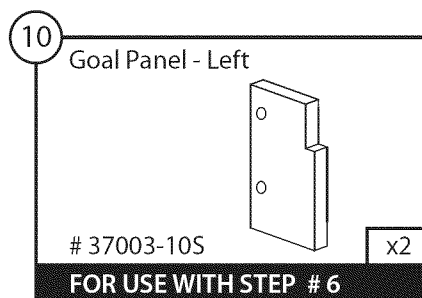
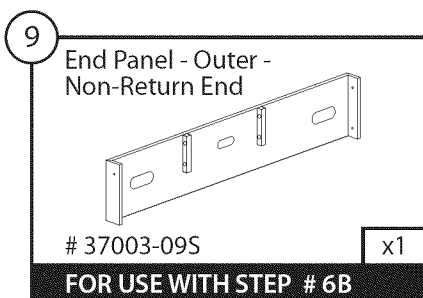
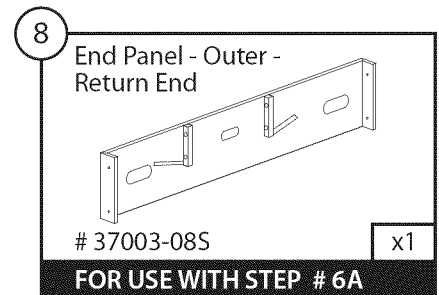
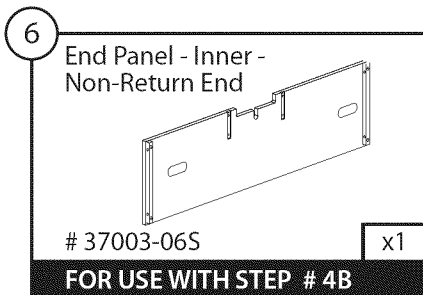
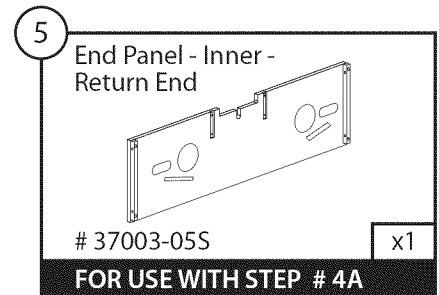
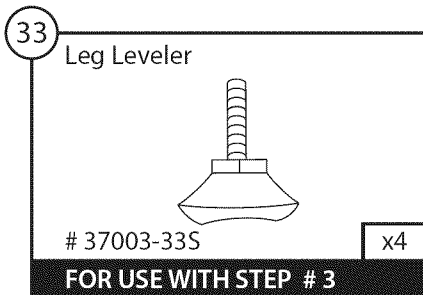
2 Apron - End Board  
  
 # 37003-02S x4  
**FOR USE WITH STEP # 2**

1 Apron - Long Side  
  
 # 37003-01S x2  
**FOR USE WITH STEP # 2**

4 Leg - Right  
  
 # 37003-04S x2  
**FOR USE WITH STEP # 3**

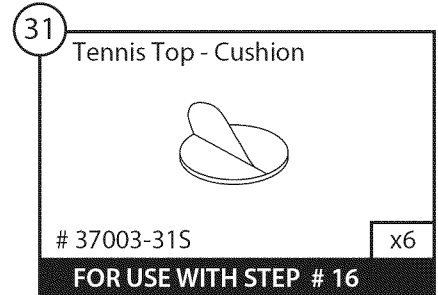
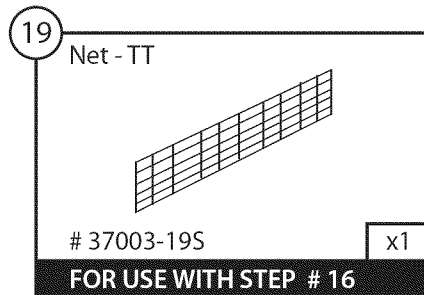
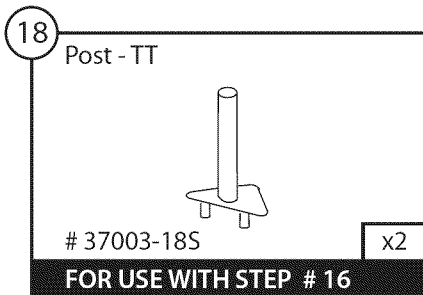
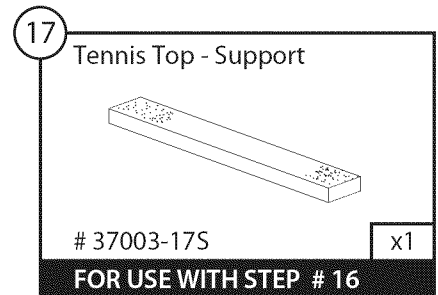
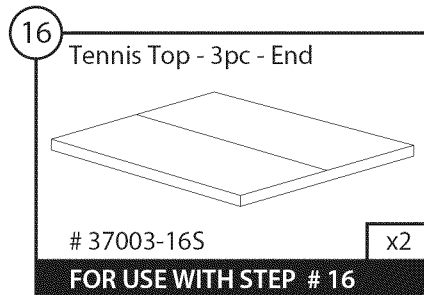
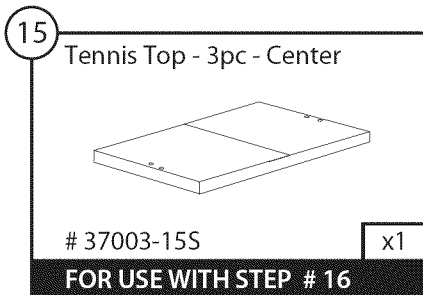
3 Leg - Left  
  
 # 37003-03S x2  
**FOR USE WITH STEP # 3**

## Components cont.

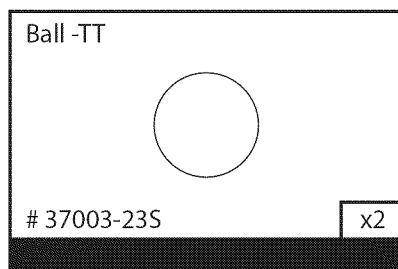
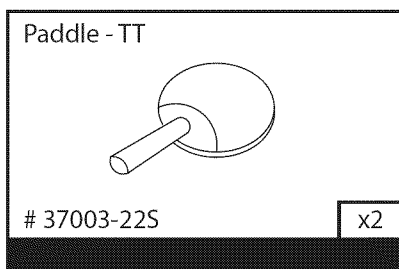
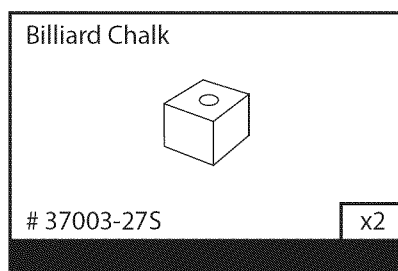
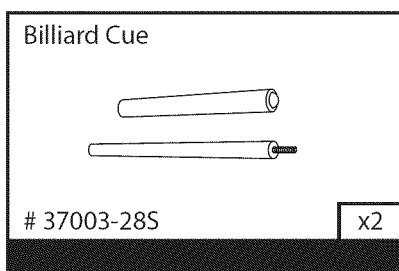
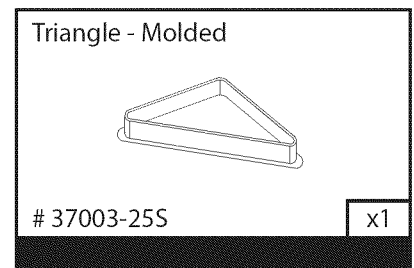
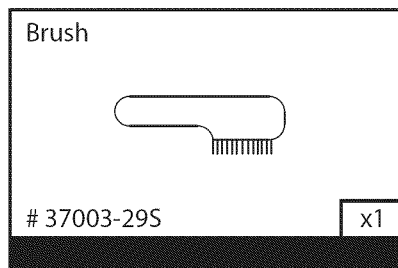
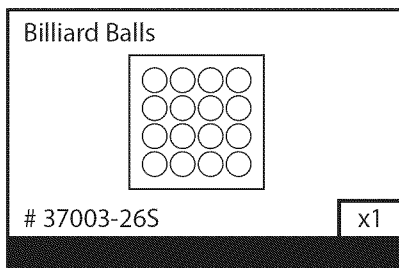




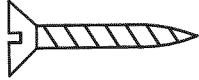

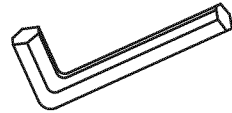

## Components cont.

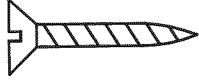
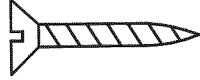
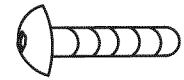
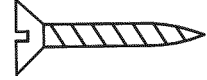




## Accessories

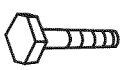
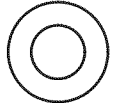

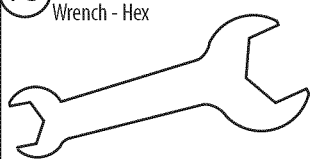


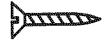
# Hardware

<p>60 Screw - Wood - 4 x 44.5mm</p>  <p># 37003-60S x16</p> <p><b>FOR USE WITH STEP # 2</b></p>	<p>61 Bolt - Allen - 8 x 44.5mm</p>  <p># 37003-61S x8</p> <p><b>FOR USE WITH STEP # 3</b></p>	<p>62 Wrench - Allen Style</p>  <p># 37003-62S x1</p>	<p>63 Screw - Wood - 4 x 18mm</p>  <p># 37003-63S x16</p> <p><b>FOR USE WITH STEP # 4</b></p>
--	---	---	--

<p>64 Screw - Wood - 4 x 44.5mm</p>  <p># 37003-60S x8</p> <p><b>FOR USE WITH STEP # 5</b></p>	<p>65 Screw - Wood - 4 x 44.5mm</p>  <p># 37003-60S x4</p> <p><b>FOR USE WITH STEP # 6</b></p>	<p>66 Bolt - Allen - 6.5 x 32mm</p>  <p># 37003-66S x8</p>	<p>67 Screw - Wood - 4 x 44.5mm</p>  <p># 37003-60S x8</p> <p><b>FOR USE WITH STEP # 7</b></p>
---	---	--	---

<p>68 Bolt - Allen - 8 x 44.5mm</p>  <p># 37003-61S x20</p> <p><b>FOR USE WITH STEP # 8</b></p>	<p>69 Screw - Wood - 4 x 32mm</p>  <p># 37003-69S x18</p> <p><b>FOR USE WITH STEP # 9</b></p>
--	--

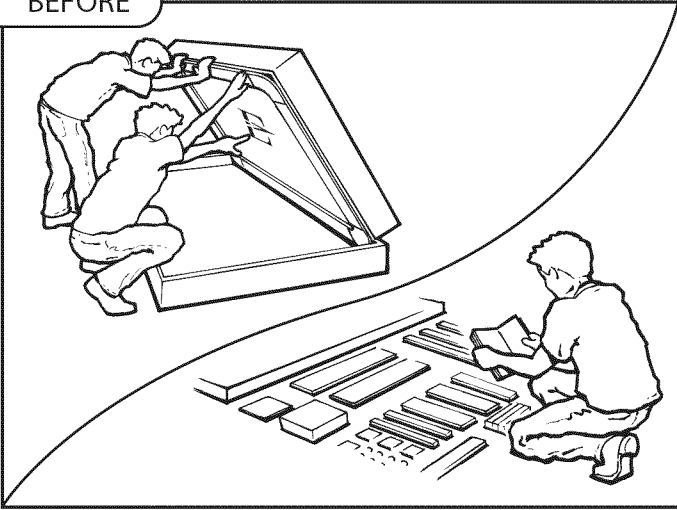
<p>70 Bolt - Hex - 20mm (1 pc pre-assembled)</p>  <p># 37003-70S x2</p> <p><b>FOR USE WITH STEP # 10</b></p>	<p>71 Washer - Metal - 20mm (1 pc pre-assembled)</p>  <p># 37003-71S x2</p>	<p>72 Washer - Molded - 20mm (1 pc pre-assembled)</p>  <p># 37003-72S x2</p>	<p>73 Wrench - Hex</p>  <p># 37003-73S x1</p>
---	--	--	--

<p>74 Screw - Wood - 4 x 18mm</p>  <p># 37003-63S x12</p> <p><b>FOR USE WITH STEP # 13</b></p>
---



# ASSEMBLY INSTRUCTIONS

## BEFORE

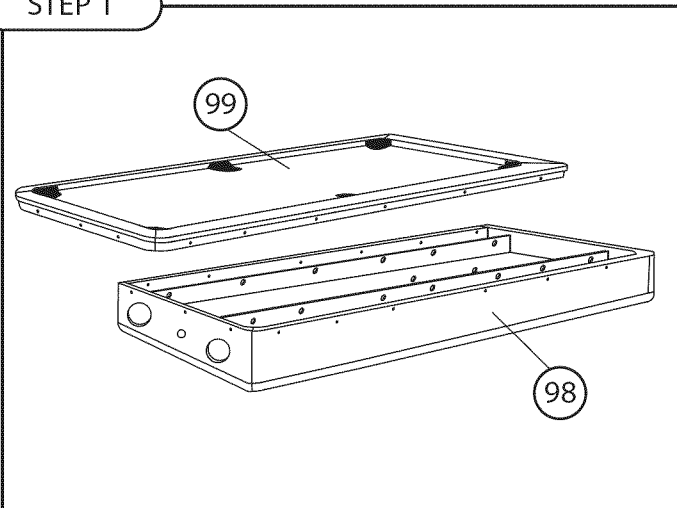


### NOTE:

## BEFORE BUILDING - Please inspect your playfield and layout all your parts

Your Cabinet (holds Billiard table and Hockey Playfield) is NOT replaceable. Any damage that exists to your playfield is not repairable under warranty. If your playfield is damaged, the entire game must be returned to the original place of purchase for an exchange.

## STEP 1



### COMPONENTS

### QTY.

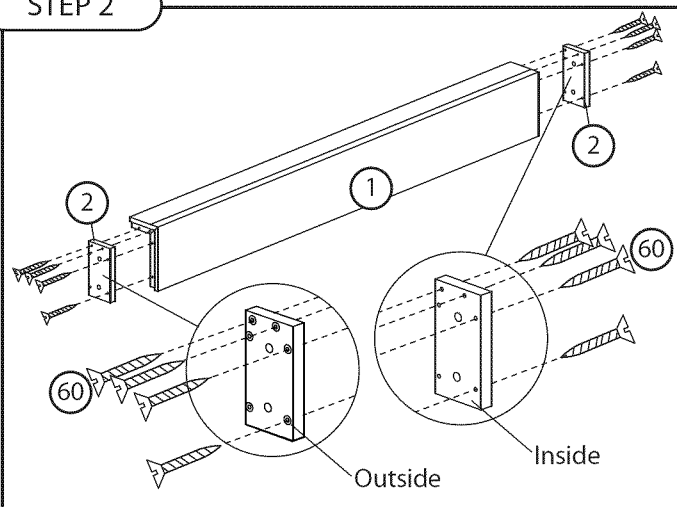
- 98 Cabinet - Hockey
- 99 Cabinet - Billiards

- x1
- x1

### NOTE:

Open cabinet.  
Take out all parts and remove brace / Table Tennis Top.

## STEP 2



### COMPONENTS

### QTY.

- 1 Apron - Long Side
- 2 Apron - End Board

- x2
- x4

### NOTES

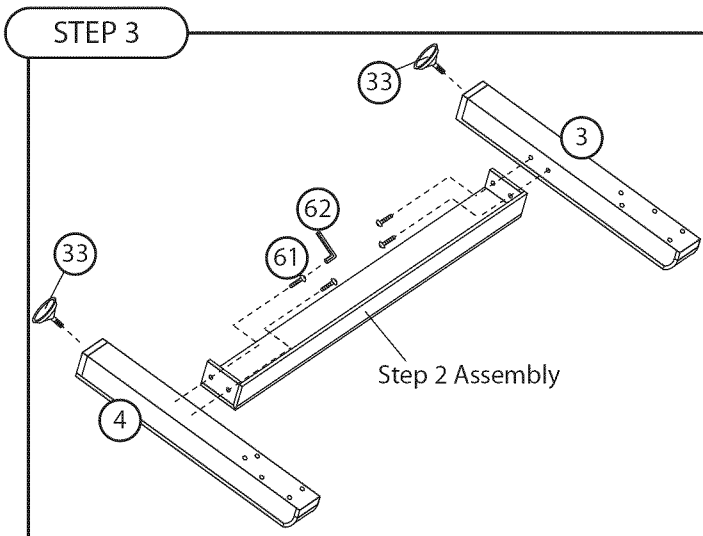
Repeat for both sides.

### HARDWARE

### QTY.

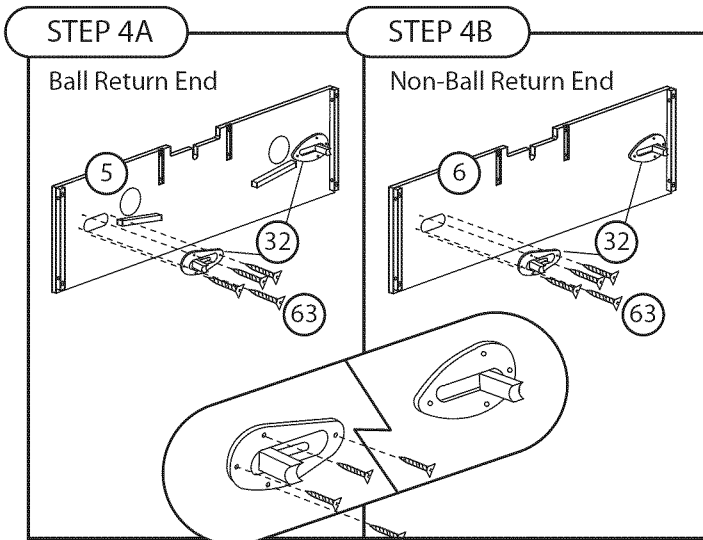
- 60 Screw - Wood - 4 x 44.5mm

- x16



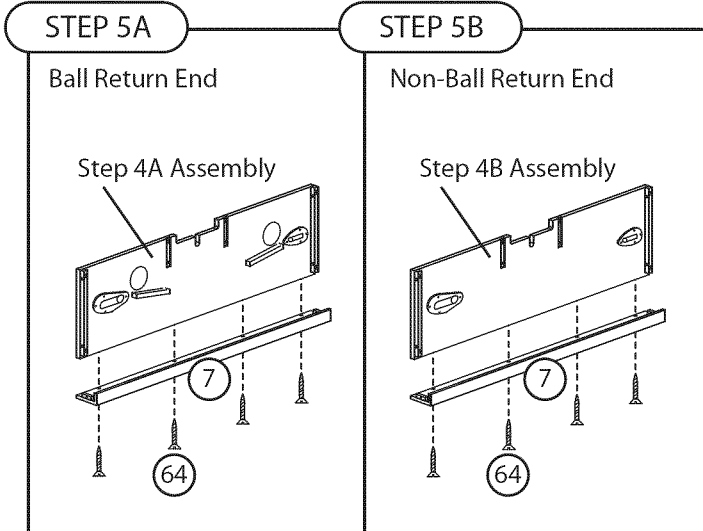
COMPONENTS	QTY.
3 Leg - Left	x2
4 Leg - Right	x2
33 Leg Leveler	x4
Step 2 Assembly	x2
HARDWARE	QTY.
61 Bolt - Allen - 8 x 44.5mm	x8
62 Wrench - Allen Style	x1

**NOTE:**  
Repeat for Both Sides.

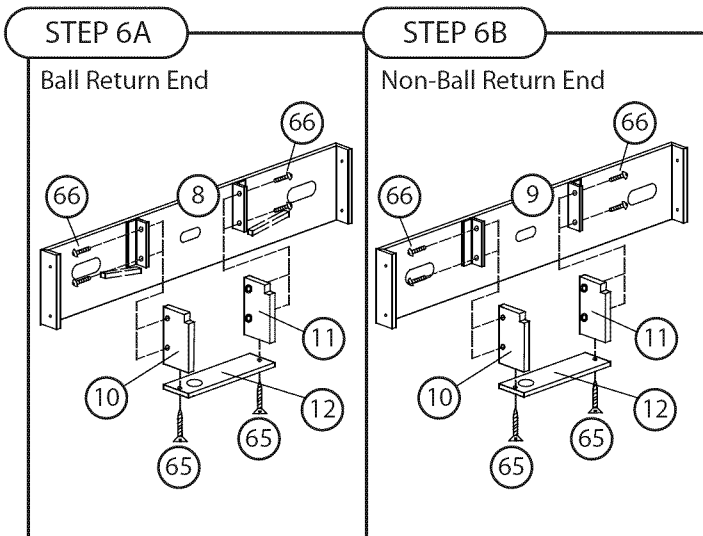


COMPONENTS	QTY.
5 End Panel - Inner - Return End	x1
6 End Panel - Inner - Non-Return End	x1
32 Lock Pin	x4
HARDWARE	QTY.
63 Screw - Wood - 4 x 18mm	x16

**NOTE:**  
Do Not Over Tighten.



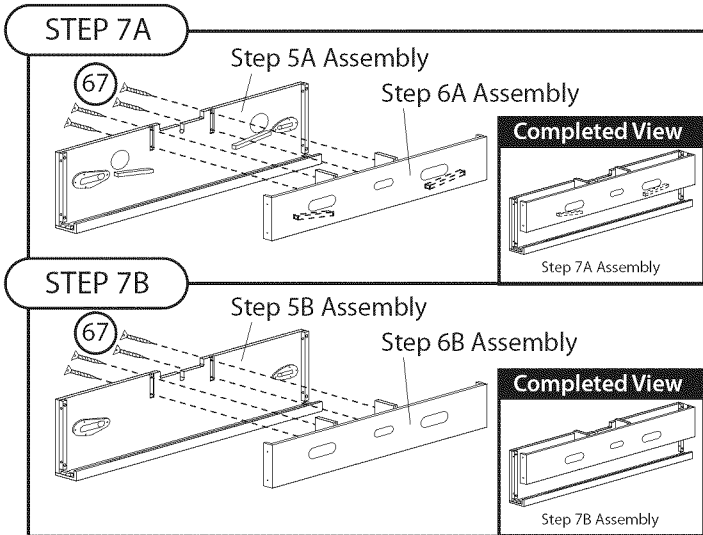
COMPONENTS	QTY.
7 Ball Channel - End	x2
Step 4A Assembly	x1
Step 4B Assembly	x1
HARDWARE	QTY.
64 Screw - Wood - 4 x 44.5mm	x8



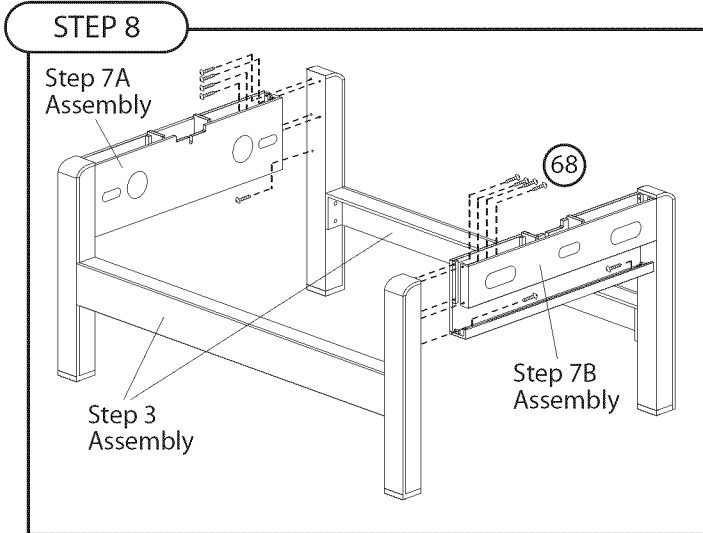
COMPONENTS	QTY.
8 End Panel - Outer - Return End	x1
9 End Panel - Outer - Non-Return End	x1
10 Goal Panel - Left	x2
11 Goal Panel - Right	x2
12 Goal Panel - Bottom	x2
HARDWARE	QTY.
65 Screw - Wood - 4 x 44.5mm	x4
66 Bolt - Allen - 6.5 x 32mm	x8

**NOTES**

Install parts 10 and 11 before installing part 12.



COMPONENTS	QTY.
Step 5A Assembly	x1
Step 5B Assembly	x1
Step 6A Assembly	x1
Step 6B Assembly	x1
HARDWARE	QTY.
67 Screw - Wood - 4 x 44.5mm	x8

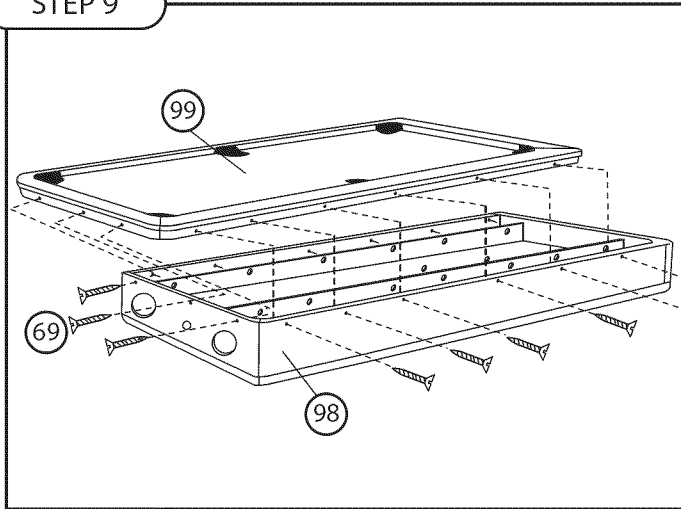


COMPONENTS	QTY.
Step 3 Assembly	x2
Step 7A Assembly	x1
Step 7B Assembly	x1
HARDWARE	QTY.
68 Bolt - Allen - 8 x 44.5mm	x20

**NOTES**

Be Sure To Install 5 Bolts Into Each Leg.

**STEP 9**



**COMPONENTS** **QTY.**

98 Cabinet - Hockey	x1
99 Cabinet - Billiards	x1

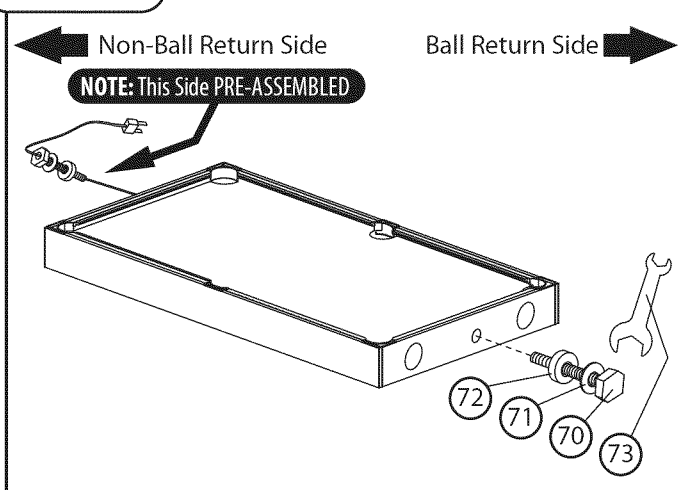
**HARDWARE** **QTY.**

69 Screw - Wood - 4 x 32mm	x18
----------------------------	-----

**NOTE:**

Make sure that Billiard Cabinet is completely seated and flush before installing Screws.

**STEP 10**



**COMPONENTS** **QTY.**

Step 9 Assembly	x1
-----------------	----

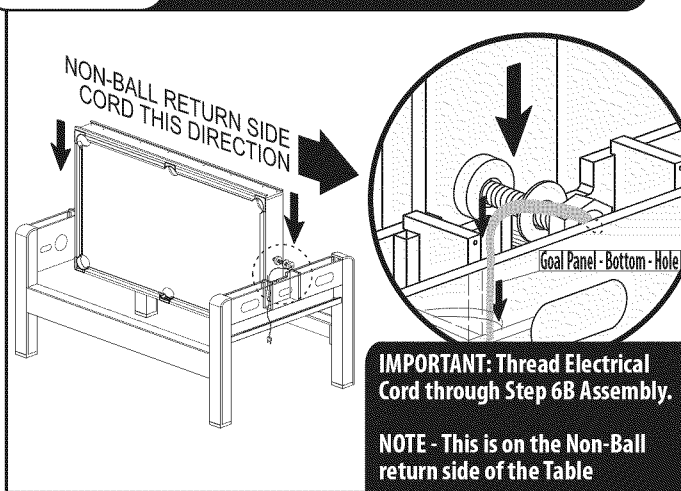
**HARDWARE** **QTY.**

70 Bolt - Hex - 20mm (1 pc pre-assembled)	x2
71 Washer - Metal - 20mm (1 pc pre-assembled)	x2
72 Washer - Molded - 20mm (1 pc pre-assembled)	x2
73 Wrench - Hex	x1

**NOTE:**

Side with Electrical Cord pre-assembled.

**STEP 11** **NOTE: THIS STEP IS VERY IMPORTANT**

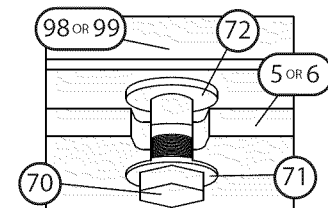


**COMPONENTS** **QTY.**

Step 8 Assembly	x1
Step 10 Assembly	x1

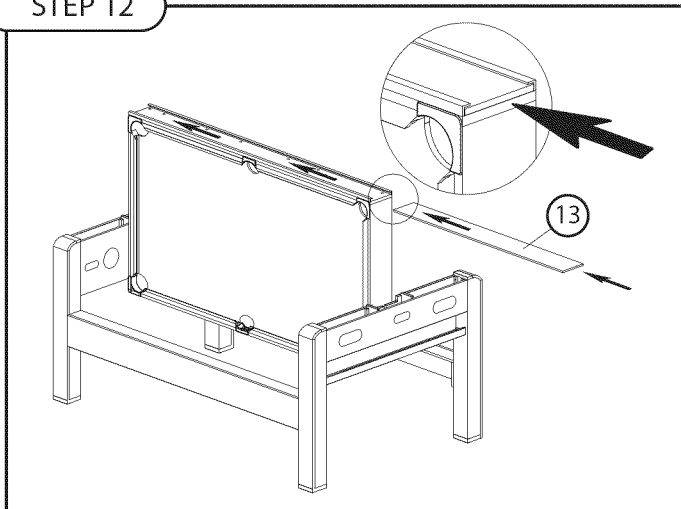
**NOTES**

1. Using Two Strong Adults, orient Playfield Cabinet in proper direction as per drawing.
2. Gently set Cabinet into frame being careful not to damage electrical cord.
3. Thread Cord as per Drawing



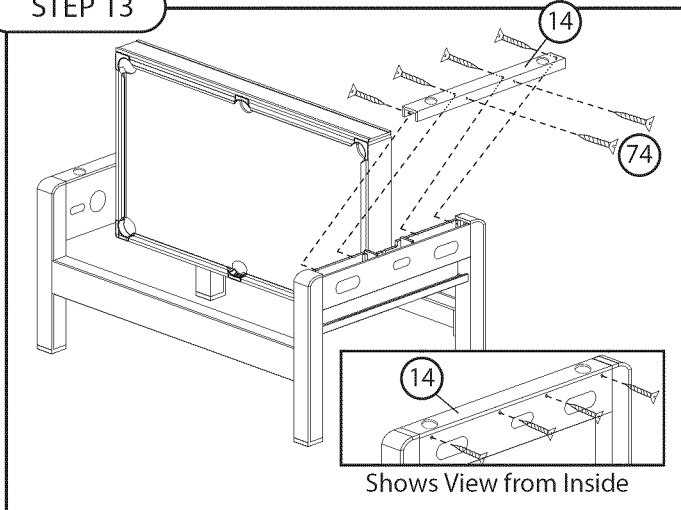
**Top View of Proper Swivel Bolt and Washer Placement.**

**STEP 12**



COMPONENTS	QTY.
13 Apron - Cabinet Side	x2
Step 11 Assembly	x1

**STEP 13**



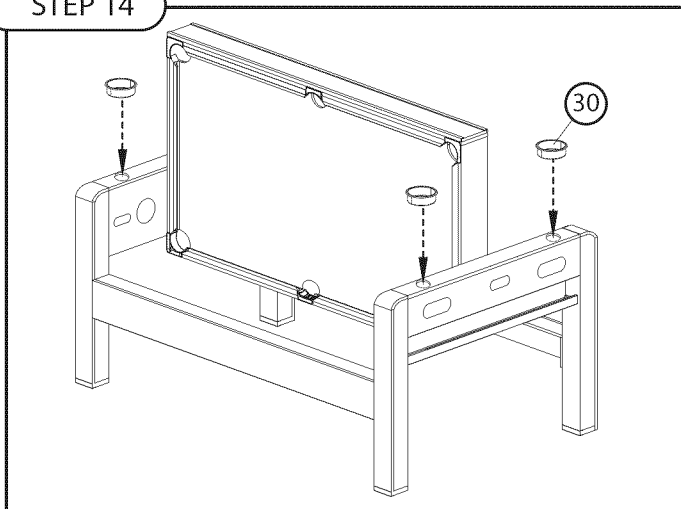
COMPONENTS	QTY.
14 End Rail - Top	x2
Step 12 Assembly	x1

HARDWARE	QTY.
74 Screw - Wood - 4 x 18mm	x12

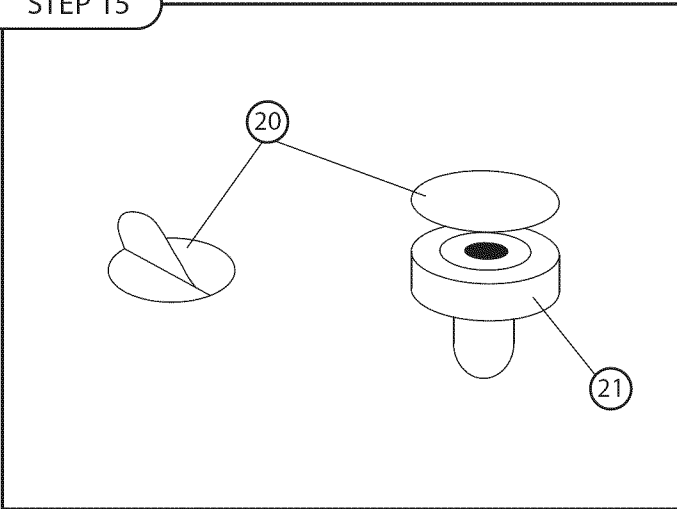
**NOTE:**  
You will use 6 Screws per end (4 inside and 2 outside).

**STEP 14**



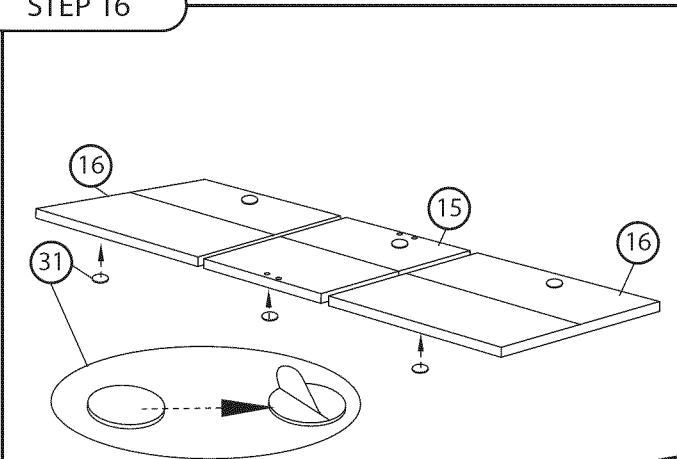
COMPONENTS	QTY.
30 Cup Holder	x4

**STEP 15**



COMPONENTS	QTY.
(20) Pusher - Felt	x2
(21) Pusher - Sombrero	x2

**STEP 16**



COMPONENTS	QTY.
(15) Tennis Top - 3pc - Center	x1
(16) Tennis Top - 3pc - End	x2
(17) Tennis Top - Support	x1
(18) Post - TT	x2
(19) Net - TT	x1
(31) Tennis Top - Cushion	x6

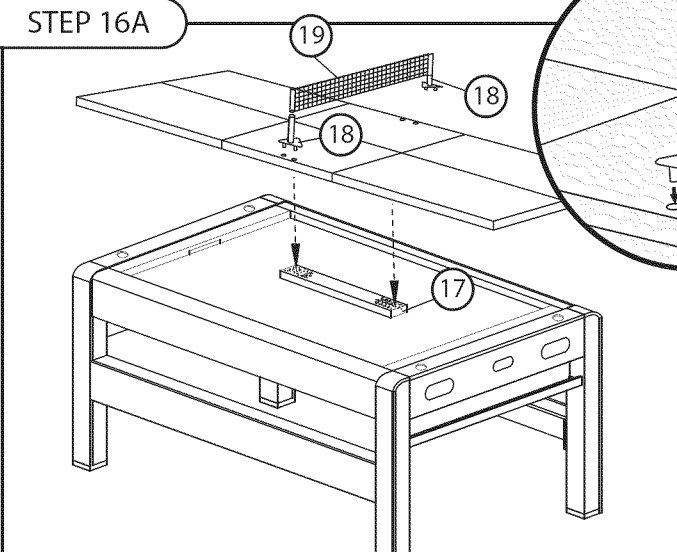
**NOTE:**

Do Not apply the Cushions first.

Make sure that they align properly with the top aprons before application.

Table Tennis Top should only be set in place when Hover Hockey playfield is facing up.

**STEP 16A**



# Limited Warranty

As described in and as limited by this Limited Warranty, EastPoint Sports, Ltd. (the "Company") warrants this Swivel Table (the "Product") to be free from defects in workmanship and materials for a period of 90 days from the date of original purchase. The term defects shall mean any imperfections that impair the use of the product. The Company reserves the right to request confirmation of Proof of Purchase when requesting parts or service in order to confirm that the game is within its warranty period.

**What is Covered:** Except as provided herein, this Limited Warranty covers all defects in materials and workmanship. This Limited Warranty is void if the Product is:

- Damaged through improper usage or storage, negligence, misuse, abuse, transportation damage, acts of nature, or accident (including failure to follow the instructions supplied with the product)
- Used in commercial applications, rentals or a commercial environment
- Modified or repaired by anyone not authorized by the Company

## What is Not Covered:

The Limited Warranty does not cover:

- Expendable items such as cosmetic parts, game playing accessories, and any other items that may show signs of wear due to normal usage
- Any transportation/delivery/installation costs incurred by the Consumer (either home from the original place of purchase or back to the original place of purchase)

## What the Company Will Pay For:

- If any part or component of the Product which is covered by this Limited Warranty is found by the Company to be defective, the Company will provide replacement parts without charge. The Company's obligation to repair or replace the Product or any portion thereof, shall be limited to the original purchase price of the product.
- If during the Limited Warranty period, the product is found to be defective, the Company will, at the Company's option, repair, replace, or make remuneration for the Product (either the same or equivalent value) without charge.

**How to Obtain Warranty Service:** In order to enforce your rights under this Limited Warranty, you must follow these procedures:

- You must return the ORIGINAL COPY OF YOUR SALES RECEIPT to the Company.
- You must call the Company's Consumer Service Department at 1-973-585-4747 or toll free at 1-877-279-7071 on Monday through Friday between the hours of 9:00 A.M. and 5:00 P.M (EST) to notify the Company of the nature of the problem. At the Company's option, replacement parts or a new Product (either the same or equivalent value) will be sent to you at no charge.
- If you are instructed to return the Product to the Company for servicing, you are responsible for shipping the Product, at your expense, to the address designated by the Company in packaging that will protect against further damage.
- You must also include your name, address, daytime telephone number, Product model number, and a description of the problem.
- The Company will pay for any shipping charges to return the repaired or replaced Product to you.

**THIS LIMITED WARRANTY IS AVAILABLE ONLY TO THE ORIGINAL PURCHASER OF THE PRODUCT AND IS VALID ONLY IN THE UNITED STATES. THE COMPANY'S LIABILITY IS LIMITED TO THE REPAIR, REPLACEMENT, OR REMUNERATION, AT ITS OPTION, OF ANY DEFECTIVE PRODUCT AND SHALL NOT INCLUDE ANY LIABILITY FOR INDIRECT, INCIDENTAL, OR CONSEQUENTIAL DAMAGES OF ANY KIND. THIS WARRANTY IS EXPRESSLY MADE IN LIEU OF ALL OTHER WARRANTIES, EXPRESSED OR IMPLIED, INCLUDING BUT NOT LIMITED TO THE IMPLIED WARRANTY OF MERCHANTABILITY AND THE IMPLIED WARRANTY OF FITNESS FOR A PARTICULAR PURPOSE. SOME STATES DO NOT ALLOW LIMITATIONS ON HOW LONG AN IMPLIED WARRANTY LASTS OR DO NOT ALLOW FOR EXCLUSION OF INCIDENTAL OR CONSEQUENTIAL DAMAGES. TO THAT EXTENT, THE ABOVE LIMITATIONS MAY NOT APPLY TO YOU.**

This Limited Warranty gives you specific legal rights, but you may also have other rights that vary from state to state.

If you have any questions regarding this Limited Warranty or the operation of the Product, you may call or write us.

**ALL WARRANTY CLAIMS MUST BE ACCOMPANIED BY A COPY OF THE SALES RECEIPT/PROOF OF PURCHASE. REPORT ANY DEFECTS TO:**



628 ROUTE 10, SUITE #5 WHIPPANY, NEW JERSEY 07981 • 1-973-585-4747



# TABLE MAINTENANCE AND CARE

## Table Top –

- It is OK to gently vacuum the felt side of the billiard table with any standard handheld vacuum brush attachment.
- If Hockey or Table Tennis side needs to be cleaned, you can use any gentle surface cleaner (no bleach or ammonia) with a lint free cloth.  
**NOTE: DO NOT** spray the cleaning product directly on the table surface. It must be applied to the cloth directly. Then the table top can be wiped in a lengthwise direction

## Pucks -

- If a puck is rough or not gliding smoothly on top of the table surface, gently sand off the scuff marks with fine grit sandpaper.

## Speed -

- If faster puck speed is desired, it is OK to use a wax or oil based cleaner to “slicken” the surface.  
**NOTE: DO NOT OVER APPLY.** A little goes a long way.  
**NOTE: DO NOT** spray the cleaning product directly on the table surface. It must be applied to the cloth directly and then the table top can be wiped in a lengthwise direction.



[www.eastpointsports.com](http://www.eastpointsports.com)