

CABP3



Cabinet Blower

PLANNING GUIDE

Total Connected Load	Blower Rating* (CFM)	Approximate Shipping Weight
4 Amps. @ 120Vac, 60 Hz	600 Nominal 585.6 Actual	34 lbs.

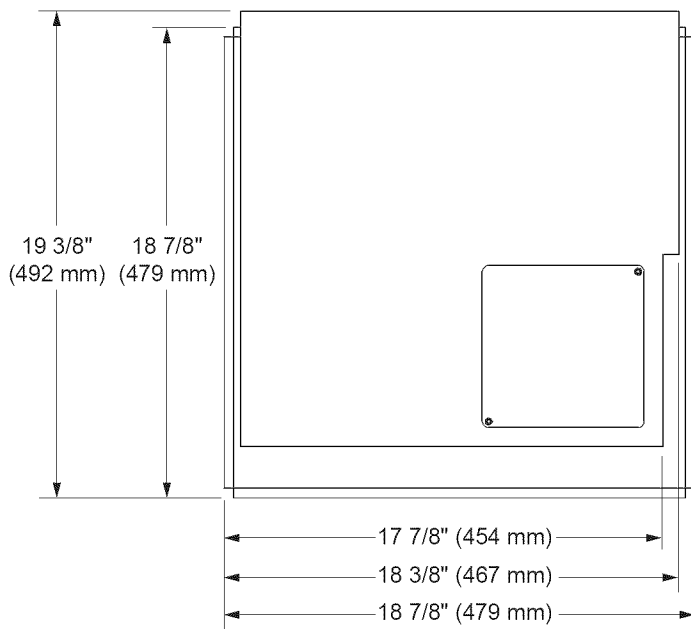
* At zero inches static pressure

NOTE: The CABP3 cabinet blower is approved only for use with Dacor RV series raised vents.

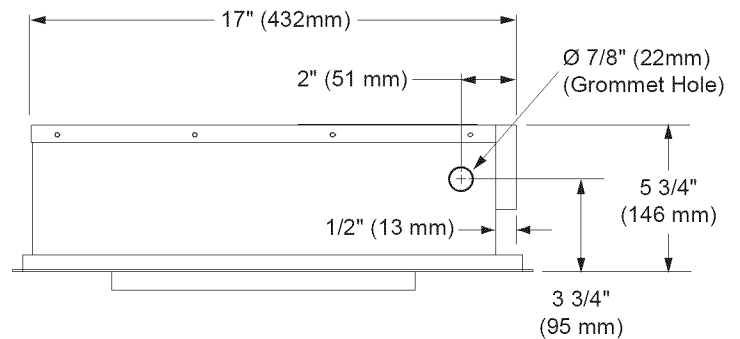
WARNING

- ◇ Observe all governing codes and ordinances during planning and installation. Contact your local building department for further information.
- ◇ This appliance must be installed in accordance with the RV series Raised Vent Installation Instructions.

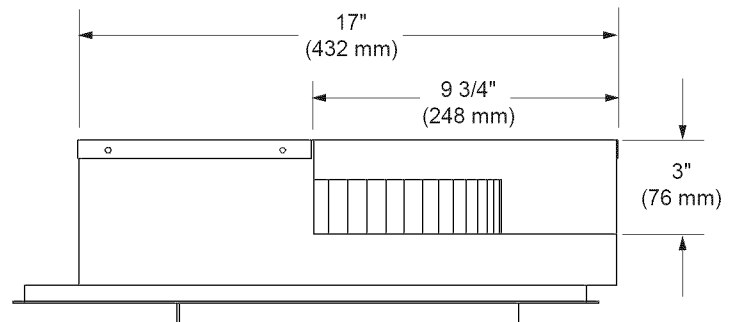
All tolerances: $\pm 1/16"$ ($\pm 1.6\text{mm}$) unless otherwise stated



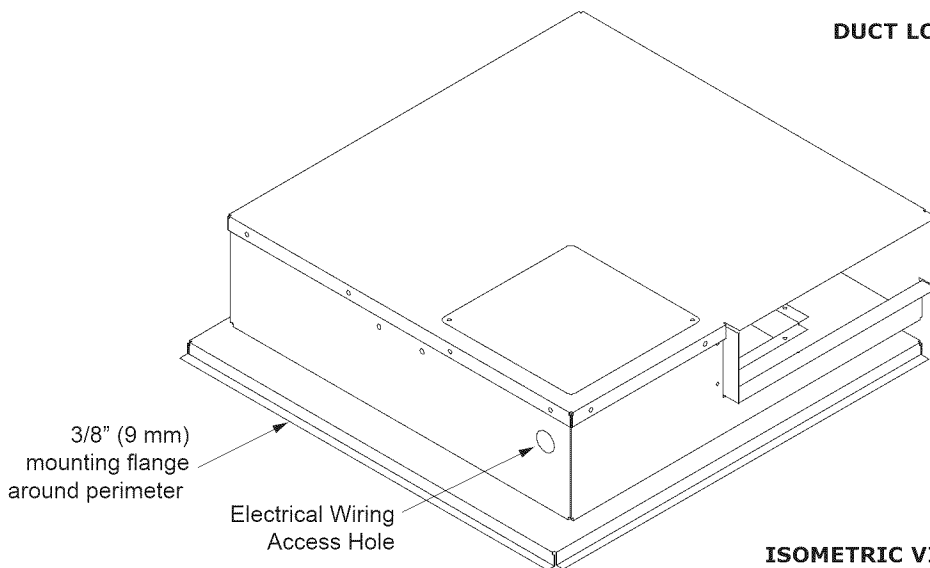
TOP VIEW



ELECTRICAL LOCATION SIDE VIEW



DUCT LOCATION SIDE VIEW



ISOMETRIC VIEW