

REFRIGERATOR MODEL EF36BNDFSS



Epicure® Handle Service Kit,
PN 700976

**INSTALLATION
INSTRUCTIONS**

Tools Required

- 3/32" Allen wrench (not supplied)
- T20 Torx driver

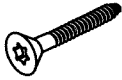
Parts Included

Handle Set Screws
(6 each - PN 102984)



Size may vary
from that shown

T-20 Mounting Screws
(6 each - PN 104170)



Size may vary
from that shown

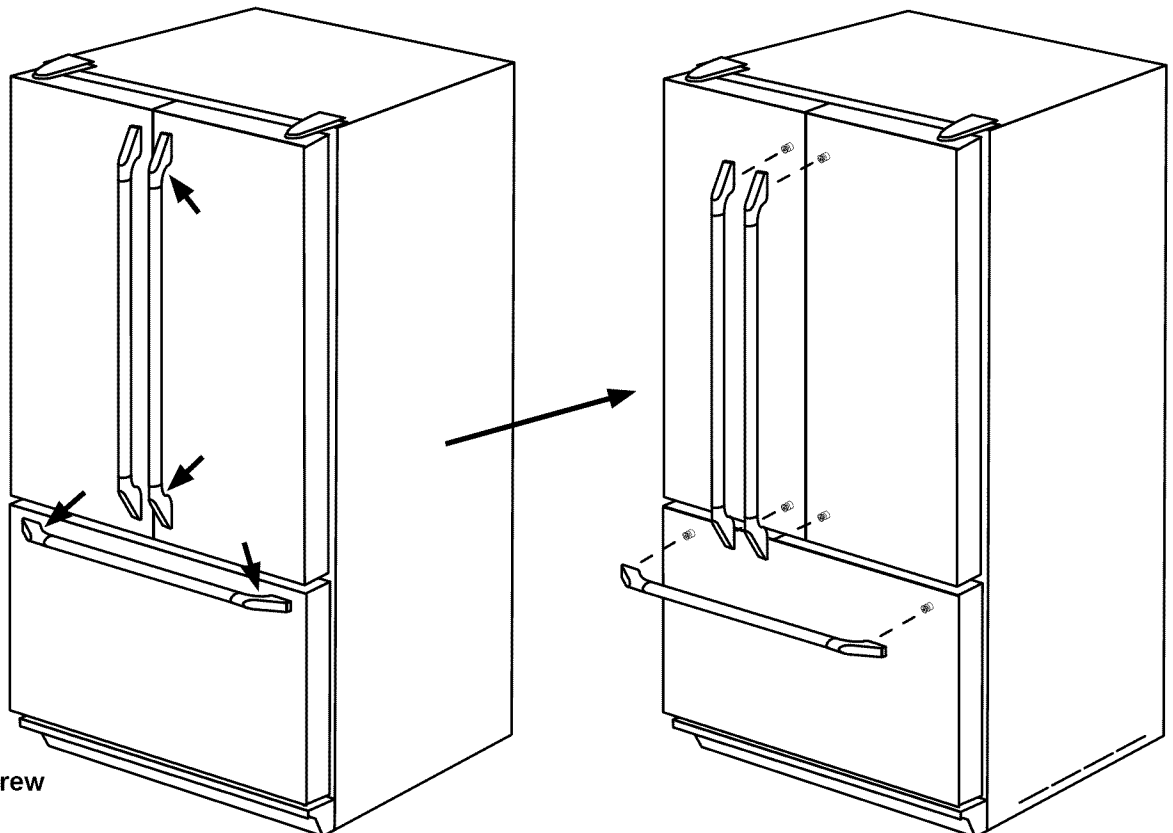
Handle Mounting Studs
(6 each - PN 102987)



Handle End Caps - Right Side
(PN 102866-01)



Handle End Caps - Left Side
(PN 102866-02)



Handle Set Screw
Locations

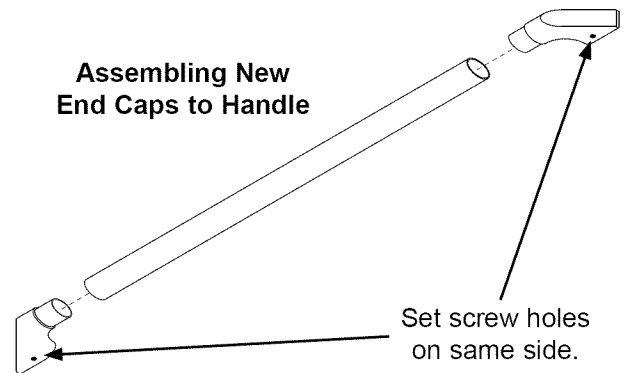
Refrigerator Handle Service Kit Instructions

STEP 3: Slide the existing end caps off of one of the handles removed in step 2. Discard the old end caps.

STEP 4: Slide two (2) of the new end caps from the kit onto the ends of the handle.

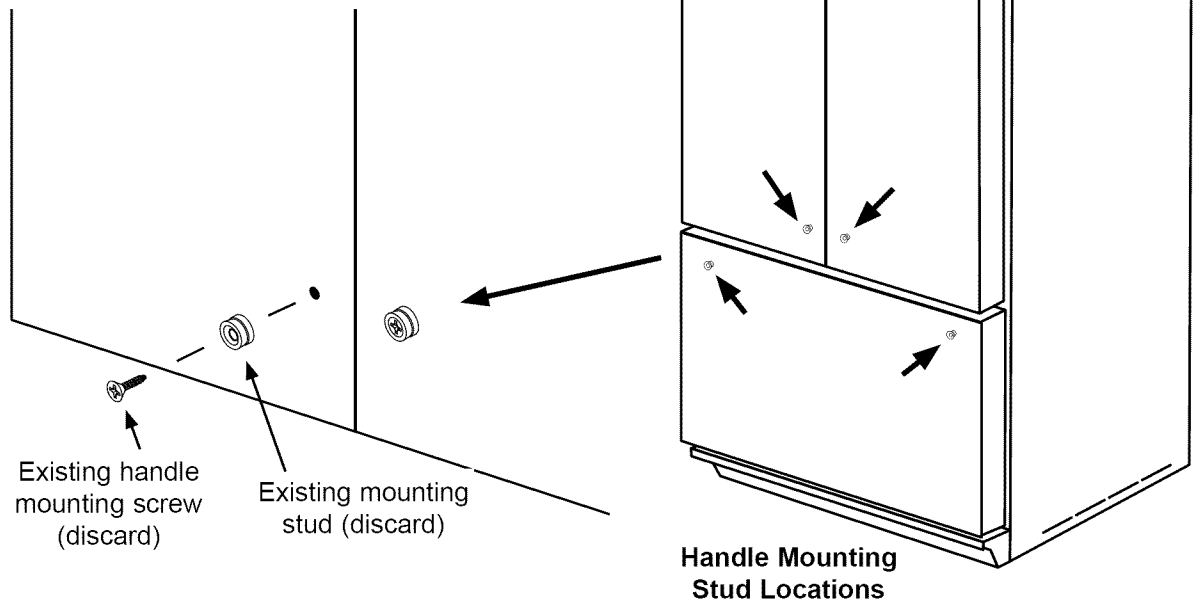
IMPORTANT: On each handle, the set screw holes must be on the same side as shown. If the set screw holes are on opposite sides of the handle, remove one of the end caps, find one from the kit that has the hole on the opposite side and install it.

STEP 5: Repeat step 4 for the remaining handles.



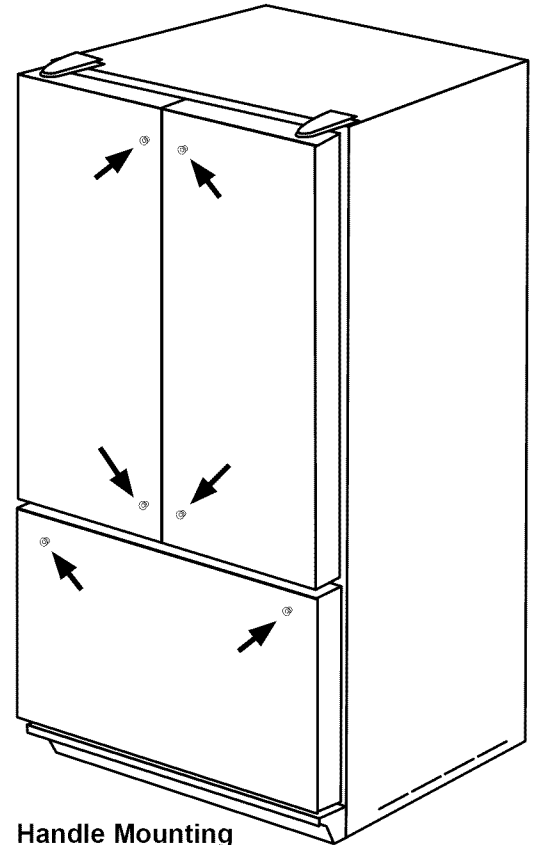
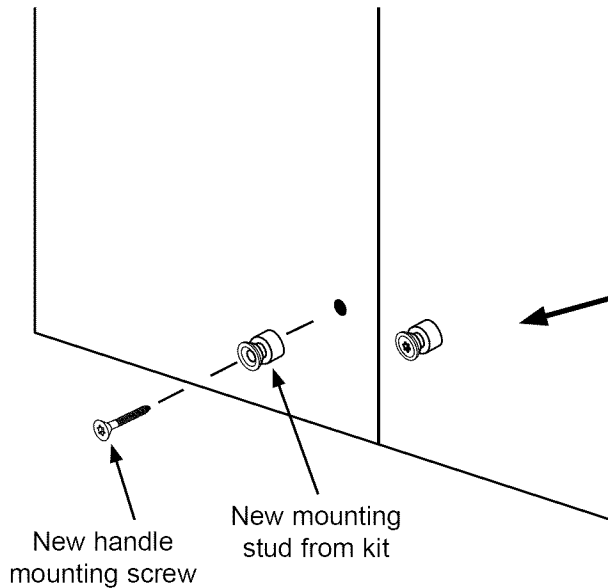
STEP 6: Using a Phillips head screwdriver, remove the six (6) handle mounting studs from the front of the refrigerator.

STEP 7: Discard all of the studs and screws removed in step 6.



Refrigerator Handle Service Kit Instructions

STEP 8: Using a T20 Torx driver and the Torx screws from the kit, install the six (6) handle mounting studs from the kit in the locations shown.



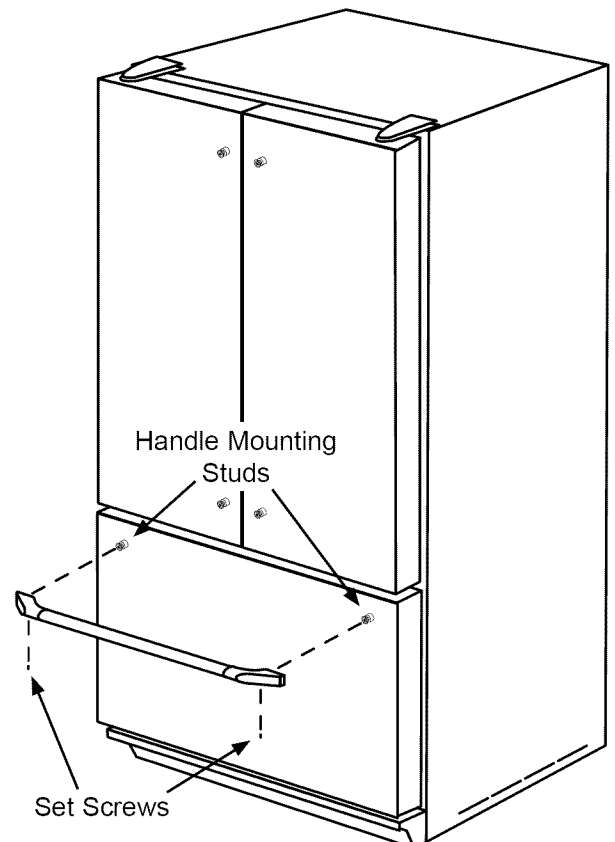
STEP 9: Locate the smallest of the three handles assembled in step 4.

STEP 10: Insert two (2) of the provided set screws into the holes on the handle end caps. Thread about two or three turns.

STEP 11: Mount the handle to the bottom drawer by sliding the holes on the back over the handle mounting studs on the refrigerator. Make sure the set screw holes face the floor.

STEP 12: Carefully tighten the set screws into place using a 3/32" Allen wrench. Be careful not to scratch the finish.

STEP 13: Check to make sure that the handle is firmly attached.



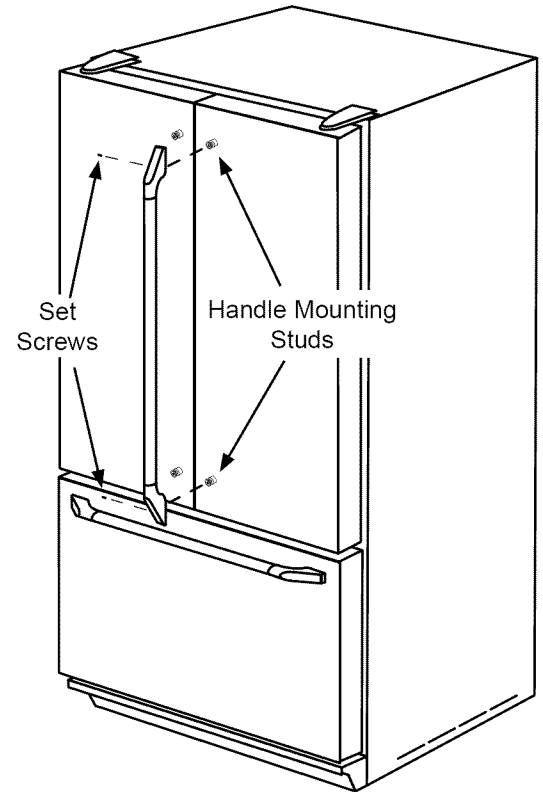
Refrigerator Handle Kit Installation Instructions

STEP 14: Insert two (2) of the provided set screws into the holes on the end caps of one of the remaining handle assemblies. Thread about two or three turns.

STEP 15: Mount the handle to the top right door by sliding the holes on the back over the handle mounting studs on the door. Make sure the set screw holes face the center of the refrigerator.

STEP 16: Carefully tighten the set screws into place using a 3/32" Allen wrench. Be careful not to scratch the finish.

STEP 17: Check to make sure that the handle is firmly attached.



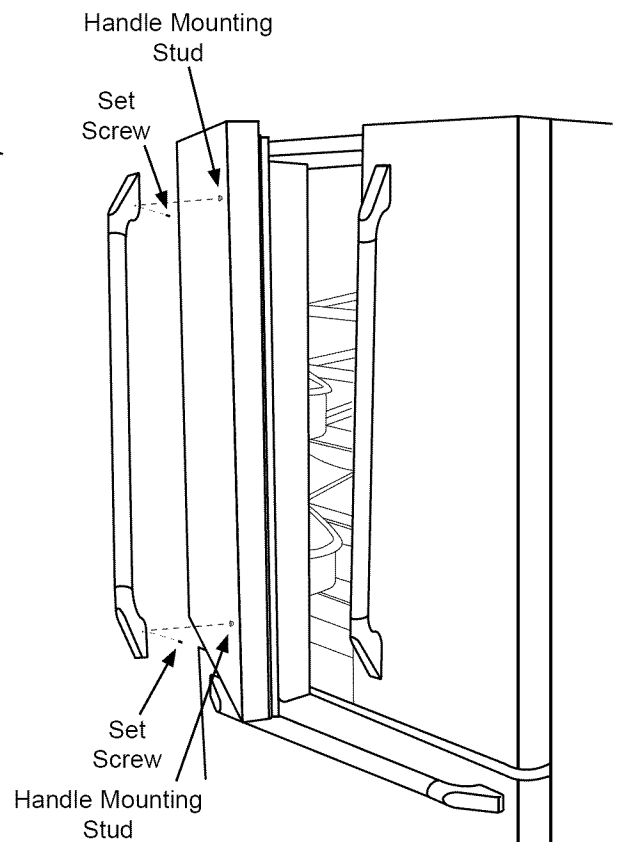
STEP 18: Insert the remaining set screws into the holes on the side of the remaining handle. Thread about two or three turns.

STEP 19: Mount the remaining handle to the top left door with the holes for the set screws toward the center of the refrigerator.

STEP 20: Open the left door while holding the handle in place to prevent damage to the other handle during step 21.

STEP 21: Carefully tighten the set screws into place using a 3/32" Allen wrench. Be careful not to scratch the finish.

STEP 22: Check to make sure that the handle is firmly attached.



dacor
The Life of the Kitchen.®