

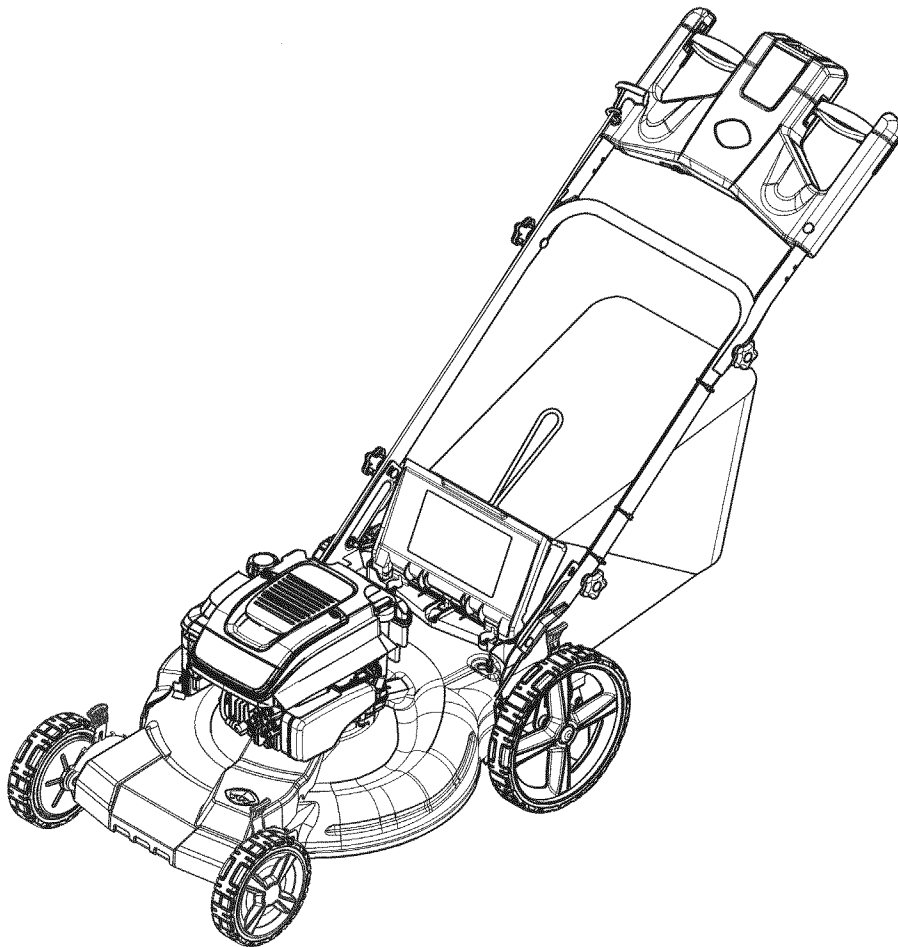
# SNAPPER®

## Operator's Manual



<i>Model No.</i>	<i>Description</i>
------------------	--------------------

<b>7800776</b>	<b>SPXV2270HW</b>
<b>7800779</b>	<b>NSPXV2270HW</b>



**Thank You** for purchasing this quality-built Snapper mower. We're pleased that you placed your confidence in the Snapper brand. When operated and maintained according to the instructions in this manual, your Snapper mower will provide many years of dependable service.

**This manual contains** safety information to make you aware of the hazards and risks associated with the machine and how to avoid them. This machine is designed and intended only for finish cutting of established lawns and is not intended for any other purpose. It is important that you read and understand these instructions thoroughly before attempting to start or operate this equipment. **Save these original instructions for future reference.**

**Date of Purchase** \_\_\_\_\_

**Retailer** \_\_\_\_\_

**Retailer's Phone Number** \_\_\_\_\_

**Equipment**

Model Number \_\_\_\_\_

Serial Number \_\_\_\_\_

**Engine**


Model \_\_\_\_\_ Type \_\_\_\_\_ Code \_\_\_\_\_



**SNAPPER** is a trademark of  
Briggs & Stratton Power Products Group, LLC  
Milwaukee, WI, USA.



Copyright © 2010, Briggs & Stratton Corporation  
Milwaukee, WI, USA. All Rights Reserved.

# Table of Contents

<b>Operator Safety .....</b>	<b>4</b>
Safety Instructions .....	4
Safety and Operation Decals .....	6
<b>Features and Controls.....</b>	<b>8</b>
<b>Assembly.....</b>	<b>9</b>
<b>Operation.....</b>	<b>10</b>
Before Starting .....	10
Fuel Recommendations.....	10
Starting the Mower .....	11
Propelling the Mower .....	11
Handle Height Adjustment .....	11
Cutting Height Adjustment.....	12
Mulching Operation.....	12
Installing the Discharge Deflector .....	12
Installing the Grass Bag.....	13
Maintenance Reminder .....	14
<b>Maintenance.....</b>	<b>15</b>
Maintenance Chart.....	15
Change Engine Oil .....	16
Service Air Filter .....	16
Check Safety Interlock System.....	17
Clean Debris Off Mower.....	17
Drive Control Adjustment .....	18
Storage Procedure .....	18
<b>Troubleshooting.....</b>	<b>19</b>
<b>Warranties .....</b>	<b>20</b>
<b>Slope Guide.....</b>	<b>23</b>

 **WARNING**   
 It is a violation of California Public Resource Code, Section 4442, to use or operate the engine on any forest-covered, brush-covered, or grass-covered land unless the exhaust system is equipped with a spark arrester, as defined in Section 4442, maintained in effective working order. Other states or federal jurisdictions may have similar laws. Contact the original equipment manufacturer, retailer, or dealer to obtain a spark arrester designed for the exhaust system installed on this engine.

 **WARNING**   
 Battery posts, terminals and related accessories contain lead and lead compounds, chemicals known to the State of California to cause cancer and birth defects or other reproductive harm. Wash hands after handling.

 **WARNING**   
 Engine exhaust, some of its constituents, and certain vehicle components contain or emit chemicals known to the State of California to cause cancer or other reproductive harm.

## Operator Safety

---



**WARNING:** This powerful cutting machine is capable of amputating hands and feet and can throw objects that can cause injury and damage! Failure to comply with the following SAFETY instructions could result in serious injury or death to the operator or other persons. The owner of the machine must understand these instructions and must allow only persons who understand these instructions to operate machine. Each person operating the machine must be of sound mind and body and must not be under the influence of any substance, which might impair vision, dexterity or judgment. If you have any questions pertaining to your machine which your dealer cannot answer to your satisfaction, contact Customer Service (1-800-317-7833 or [www.snapper.com](http://www.snapper.com)).

### PROTECTION FOR CHILDREN

Tragic accidents can occur if the operator is not alert to the presence of children. Children are often attracted to the machine and the mowing activity. Never assume that children will remain where you last saw them.

1. KEEP children out of the mowing area and under the watchful care of a responsible adult other than the operator.
2. DO NOT allow children in yard when machine is operated and turn machine OFF if anyone enters the area.
3. DO NOT allow pre-teenage children to operate machine.
4. ALLOW only responsible adults & teenagers with mature judgment under close adult supervision to operate machine.
5. DO NOT pull mower backwards unless absolutely necessary. LOOK and SEE behind and down for children, pets and hazards before and while backing.
6. USE EXTRA CARE when approaching blind corners, shrubs, trees, or other objects that may obscure vision.

### SLOPE OPERATION

1. Slopes are a major factor related to slip and fall accidents, which can result in severe injury. All slopes require extra caution. If you feel uneasy on a slope, DO NOT mow it.
2. Mow across slopes, never up-and-down. Exercise extreme CAUTION when changing directions on slopes. DO NOT mow steep slopes or other areas where stability or traction is in doubt. Refer to the Slope Guide at the back of this manual.
3. Use extra care with grass catchers or other attachments; these affect the handling and the stability of the machine.

### PREPARATION

1. Read, understand, and follow instructions and warnings in this manual and on the mower, engine and attachments. Know the controls and the proper use of the mower before starting.
2. Only mature, responsible persons shall operate the machine and only after proper instruction.
3. Data indicates that operators age 60 and above, are involved in a large percentage of mower-related injuries. These operators should evaluate their ability to operate the mower safely enough to protect themselves and others from serious injury.
4. Handle fuel with extra care. Fuels are flammable and vapors are explosive. Use only an approved fuel container. DO NOT remove fuel cap or add fuel with engine running.

### PREPARATION

#### (Continued From Previous Column)

- Add fuel outdoors only with engine stopped and cool. Clean spilled fuel and oil from machine. DO NOT smoke.
5. Check the area to be mowed and remove all objects such as toys, wire, rocks, limbs and other objects that could cause injury if thrown by blade or interfere with mowing. Also note the location of holes, stumps, and other possible hazards.
  6. Keep people and pets out of the mowing area. Immediately, STOP Blade, Stop engine and Stop mower if anyone enters the area.
  7. Check shields, deflectors, switches, blade controls and other safety devices frequently for proper operation and location.
  8. Make sure all safety decals are clearly legible. Replace if damaged.
  9. Protect yourself when mowing and wear safety glasses, long pants and substantial footwear. DO NOT mow barefooted or with sandals.
  10. Know how to STOP blade and engine quickly in preparation for emergencies.
  11. Use extra care when loading or unloading the machine into a trailer or truck.
  12. Check grass catcher components frequently for signs of wear or deterioration and replace as needed to prevent injury from thrown objects going through weak or torn spots.

### SAFE HANDLING OF GASOLINE

To avoid personal injury or property damage, use extreme care in handling gasoline. Gasoline is extremely flammable and the vapors are explosive.

1. Extinguish all cigarettes, cigars, pipes and other sources of ignition.
2. Use only an approved fuel container.
3. DO NOT remove fuel cap or add fuel with the engine running. Allow the engine to cool before refueling.
4. DO NOT refuel the machine indoors.
5. DO NOT store the machine or fuel container inside where there is an open flame, spark or pilot light such as on a water heater or other appliances.
6. DO NOT fill fuel containers inside a vehicle or on a truck or trailer bed with a plastic liner. Always place the containers on the ground away from the vehicle before filling.

## SAFE HANDLING OF GASOLINE (Continued From Previous Page)

7. Remove gas-powered equipment from the vehicle or trailer and refuel it on the ground. If this is not possible, then refuel equipment using a portable container, rather than a gasoline dispenser nozzle.
8. DO NOT start gas powered equipment in enclosed vehicles or trailers.
9. Keep the nozzle in contact with the rim of the fuel tank or container opening at all times until fueling is complete. DO NOT use a nozzle lock-open device
10. If fuel is spilled on clothing, change clothing immediately.
11. DO NOT overfill a fuel tank. Replace fuel cap and tighten securely.

## OPERATION

1. DO NOT put hands or feet near or under rotating parts. Keep clear of discharge area while engine is running.
2. STOP engine when crossing gravel drives, walks, or roads, and under any conditions where thrown objects might be a hazard.
3. Mow only in daylight or good artificial light.
4. DO NOT operate mower while under the influence of alcohol or drugs.
5. After striking a foreign object or if mower vibrates abnormally, STOP the engine, disconnect and secure spark plug wire. Inspect the mower for any damage and repair the damage before starting.
6. DO NOT mow near drop offs, ditches or embankments. Operator could lose footing or balance.
7. STAY ALERT for holes and other hidden hazards. Tall grass can hide obstacles. Keep away from ditches, wash-outs, culverts, fences and protruding objects.
8. DO NOT mow on wet grass. Always be sure of your footing. Keep a firm hold on the handle and walk, never run. Slipping could cause injury.
9. ALWAYS stay behind handle when engine (motor) is running.
10. DO NOT leave the machine with the engine running. STOP BLADE and STOP ENGINE before leaving the operators position for any reason.
11. Before cleaning, repairing or inspecting make certain engine, blade and all moving parts have STOPPED. Disconnect and secure spark plug wire away from plug to prevent accidental starting.
12. STOP engine and wait until the blade comes to complete STOP before removing grass bag and/or clearing grass.
13. DO NOT operate mower without the entire grass catcher, rear guard, or other safety devices in place and working. DO NOT point discharge at people, passing cars, windows or doors.

## OPERATION

### (Continued From Previous Column)

14. DO NOT discharge material against a wall or obstruction. Material may ricochet back towards the operator.
15. Slow down before turning.
16. Watch out for traffic when near or crossing roadways.
17. DO NOT operate engine in enclosed areas. Engine exhaust gases contain carbon monoxide, a deadly poison.
18. Only use accessories approved by the manufacturer. See manufacturer's instructions for proper operation and installation of accessories.

## MAINTENANCE AND STORAGE

1. DO NOT store mower or fuel container inside where fumes may reach an open flame, spark or pilot light such as in a water heater, furnace, clothes dryer or other gas appliance. Allow engine to cool before storing machine in an enclosure. Store fuel container out of reach of children in a well ventilated, unoccupied building.
2. Keep mower and engine free of grass, leaves or excess grease to reduce fire hazard and engine overheating.
3. When draining fuel tank, drain fuel into an approved container outdoors and away from open flame.
4. Keep all bolts, especially blade bolts, nuts and screws properly tight. Check that all cotter pins are in proper position.
5. Always provide adequate ventilation when running engine. Engine exhaust gases contain carbon monoxide, a deadly poison.
6. Service engine and make adjustments only when engine is stopped. Removed spark plug wire from spark plug and secure wire away from spark plug to prevent accidental starting.
7. DO NOT change engine governor speed settings or overspeed engine.
8. Check grass bag assembly frequently for wear or deterioration to avoid thrown objects and exposure to moving parts. Replace with new bag if loose seams or tears are evident. Replace slider or bag adapter if broken or cracked.
9. Mower blades are sharp and can cut. Wrap the blades or wear heavy leather gloves and use CAUTION when handling them.
10. DO NOT test for spark by grounding spark plug next to spark plug hole; spark plug could ignite gas exiting engine.
11. Have machine serviced by an authorized dealer at least once a year and have the dealer install any new safety devices.
12. Use only factory authorized replacement parts or like parts when making repairs.

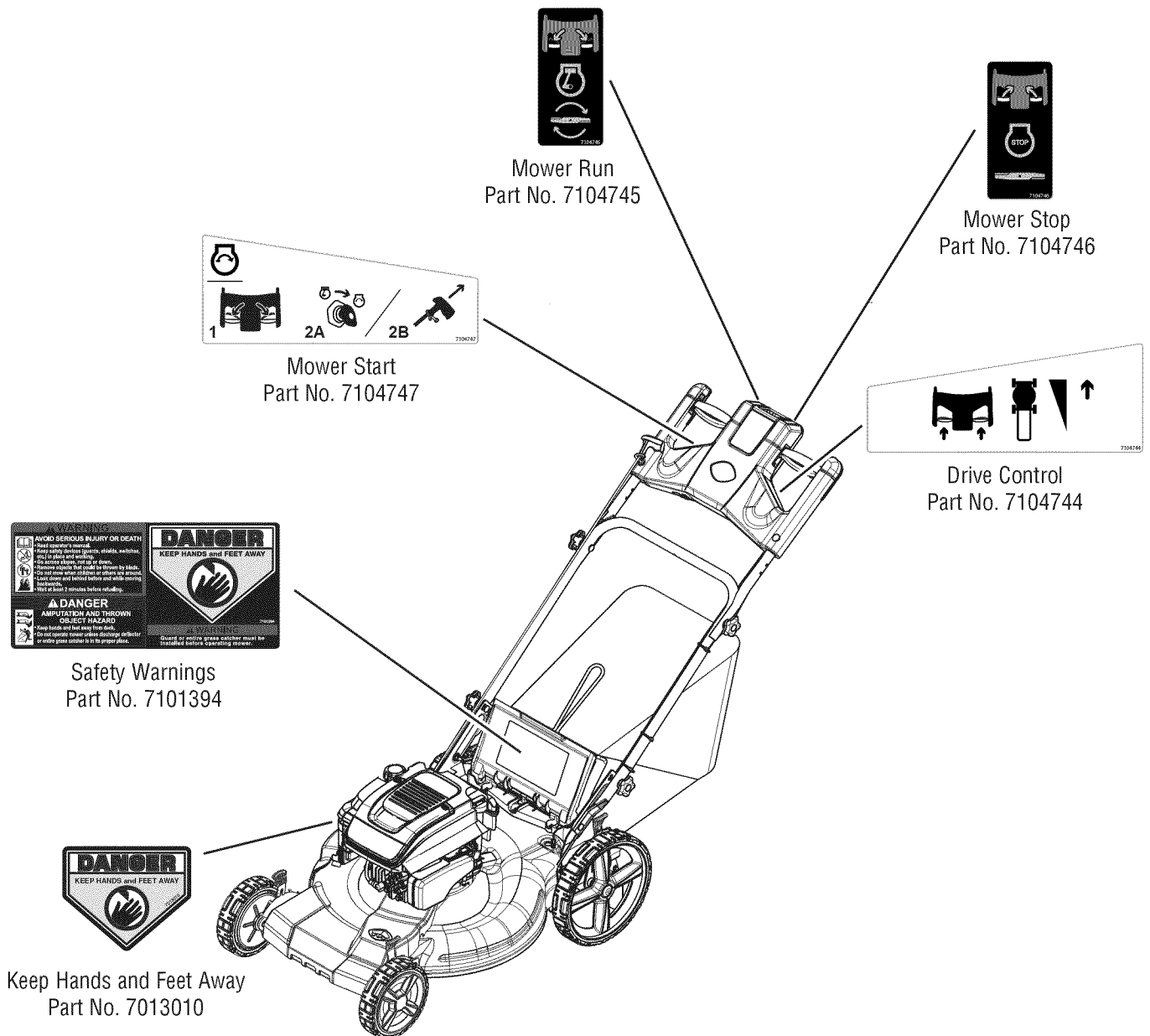
# Operator Safety

## Safety and Operation Decals

Reading this manual and the safety instructions it contains will provide the basic knowledge necessary to operate this mower safely and effectively. However, several safety and operation decals have also been placed on the mower as a reminder of this important information during operation.

The decals noted below are located on the mower. The safety warnings and operation instructions they contain should be carefully read, understood, and followed. **Not following these important warnings and instructions can result in serious bodily injury or death.**

If any of these decals are lost or damaged, replace them immediately. Contact your dealer for replacement decals.



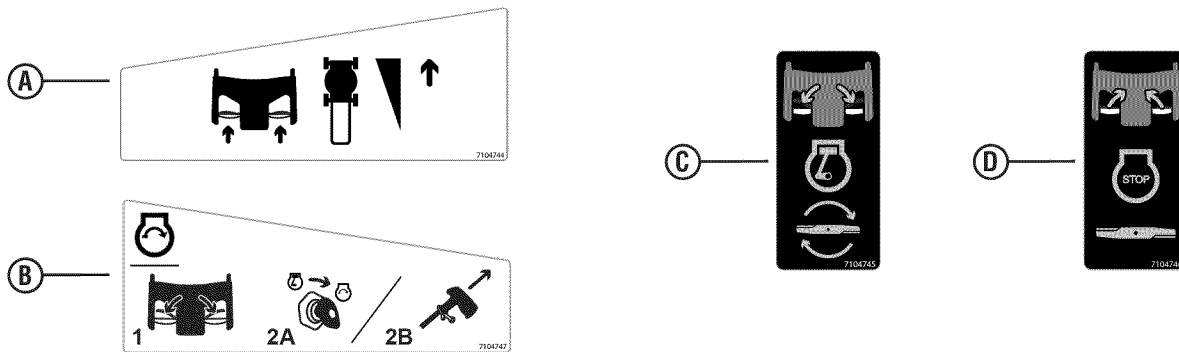
## Explanation of Safety Decals



- A. WARNING: Avoid Serious Injury or Death**
- Read the operator's manual before attempting to operate the mower.
  - Mow across slopes, not up or down.
  - To avoid injury to others, do not mow when others, especially children, are around.
  - To reduce the potential for fire, wait at least 2 minutes before refueling.

- B. DANGER: Amputation and Thrown Object Hazard.**
- To avoid serious injury or death, keep hands and feet away from the mower deck at all times during operation.
  - To avoid injury from thrown objects, do not operate the mower unless all mulching, discharge, or bagging components are in their proper place.
- C. DANGER: Keep Hands and Feet Away.**
- D. WARNING: Guard or Entire Grass Catcher Must Be Installed Before Operating Mower.**

## Explanation of Operation Decals



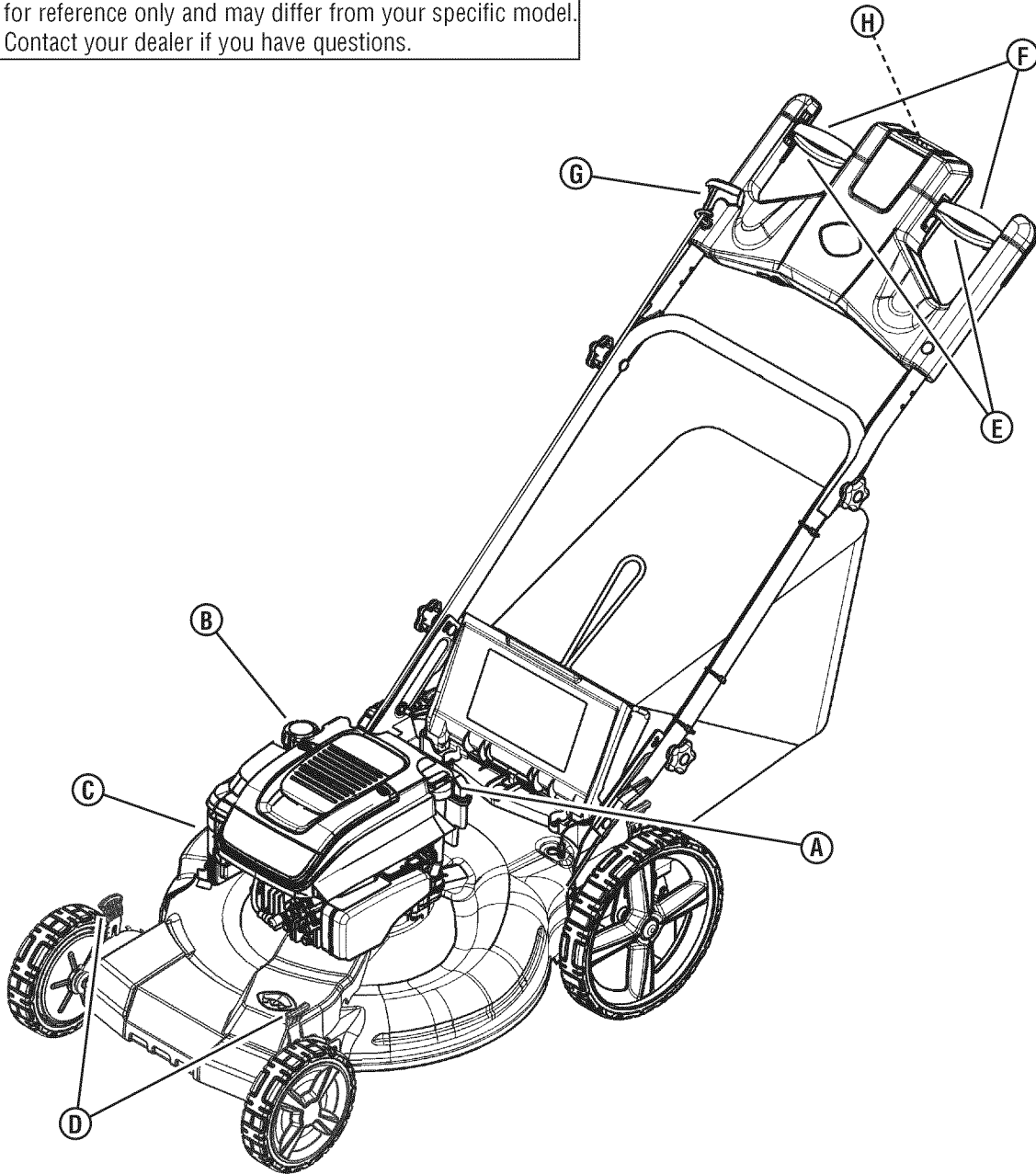
- A. Drive Control**
- Push drive control forward to propel mower. Push the drive control further forward to increase ground speed.
- B. Mower Start**
1. Squeeze blade control against drive control, and pull drive control all the way back.
  2. Pull starter rope handle to start mower.

- C. Mower Run**
- Squeeze blade control against drive control.
- D. Mower Stop**
- Release blade control.
  - Engine will stop.

# Features and Controls

**IMPORTANT**

The figures and illustrations in this manual are provided for reference only and may differ from your specific model. Contact your dealer if you have questions.



- |    |   |    |                      |
|----|---|----|----------------------|
| A. | Oil Fill Cap and Dipstick                   | E. | Blade Control (2)    |
| B. | Fuel Filler Cap                             | F. | Drive Control (2)    |
| C. | Mulching Cover                              | G. | Starter Rope Handle  |
| D. | Cutting Height Adjust Lever (at each wheel) | H. | Maintenance Reminder |



## Unpack the Mower

1. Cut all four corners of the box from top to bottom.
2. Remove all packing materials from the mower.
3. Locate and identify the items included with the mower:
  - Mulching plug (A, Figure 1 - installed)
  - Grass bag (B)
  - Side discharge deflector (C)
  - Operator's manual (D)

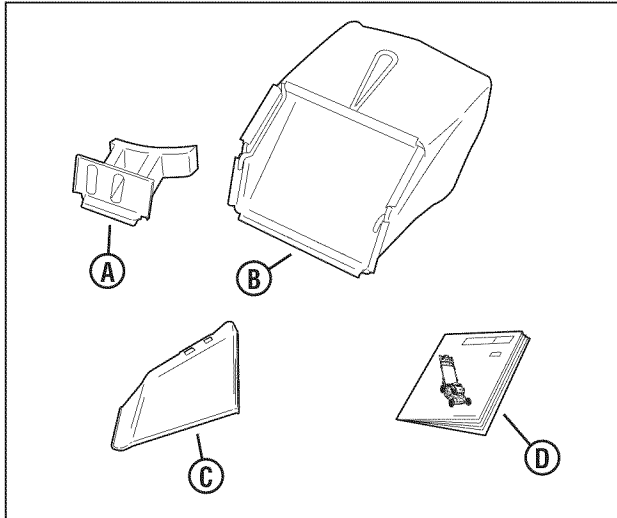


Figure 1: Items included

## Raise the Handle Assembly

1. Loosen, but do not remove, the knobs (A, Figure 2) on both sides of the upper handle.
2. Unfold the upper handle so that it is aligned with the lower handle, and tighten the upper knobs.
3. Remove the handle knobs, washers and carriage bolts from the lower handle (B).
4. Raise the lower handle, aligning it with one of the three sets of holes in the handle bracket. (Most users will prefer the middle position). Replace the hardware removed in Step 3, tightening securely.

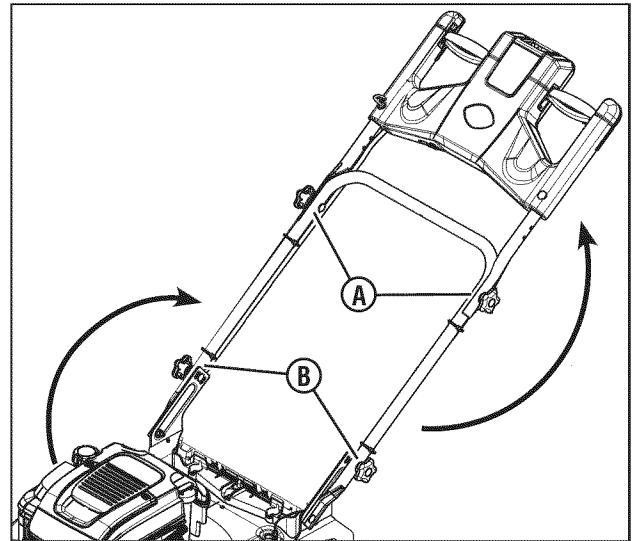


Figure 2: Raising the handle assembly

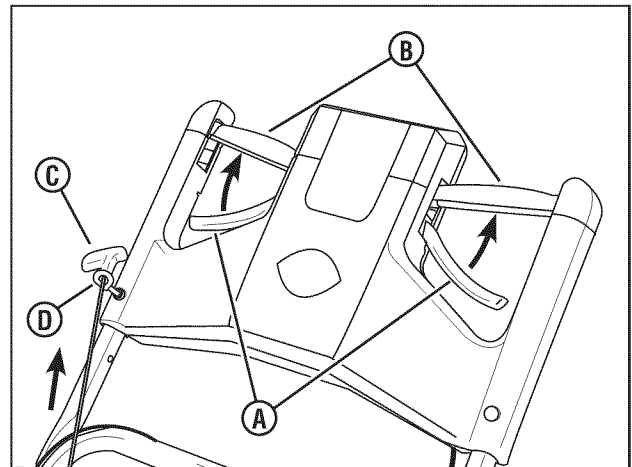


Figure 3: Starter rope handle

## Set Up the Starter Rope Handle

1. Squeeze the blade control (A, Figure 3) against the drive control (B).

*NOTE:* The blade control and drive control can be operated from either side.

2. Pull the starter rope handle (C) out of the engine to the rope guide (D). Hook the starter rope into the rope guide (it might be a tight fit).

# Operation

## Before Starting

1. Check the guards, deflectors, grass bag, and covers to make sure all are in place and securely tightened.
2. Check the blade control (**A, Figure 4**) and drive control (**B**) to insure they work freely.

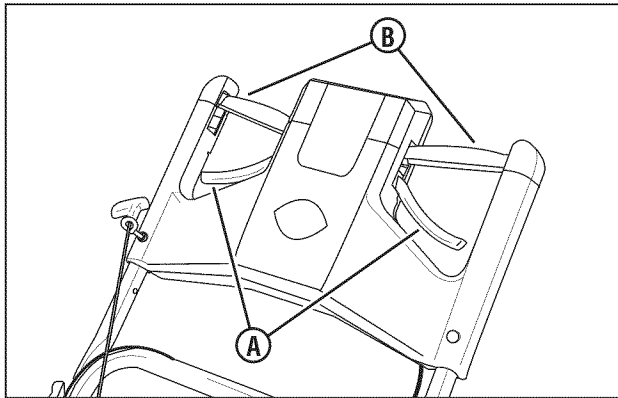


Figure 4: Mower controls

3. Check the cutting height. Adjust to the desired height. Refer to the section entitled 'Cutting Height Adjustment'.
4. Check the engine oil:
  - Make sure the mower is on a level surface.
  - Clean the oil fill area of any debris.
  - Remove the dipstick (**A, Figure 5**) and wipe with a clean cloth.
  - Insert and tighten the dipstick.
  - Remove the dipstick and check the oil level. It should be at the top of the full indicator (**B**) on the dipstick.
  - If low, add oil (Briggs & Stratton warranty-certified SAE30 lawnmower oil is recommended) slowly into the engine oil fill. **Do not overfill.** After adding oil, wait one minute and recheck the oil level.
  - Replace and tighten the dipstick.

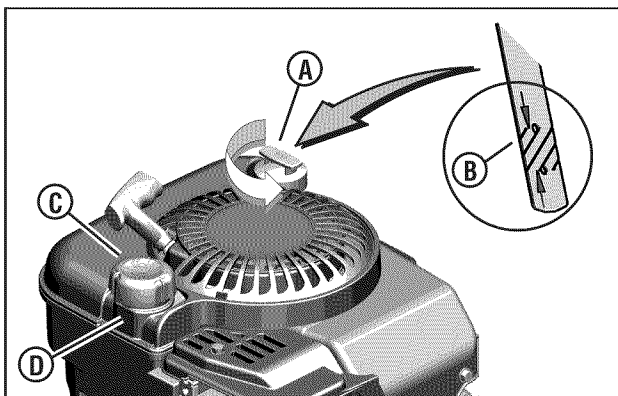


Figure 5: Oil and fuel fill

5. Add fuel to the tank:
  - Make sure the mower is outside, where fumes can safely dissipate.
  - Remove the fuel fill cap (**C, Figure 5**).
  - Fill the tank with fuel. Refer to the section entitled 'Fuel Recommendations'. To allow for expansion of the fuel, do not fill above the bottom of the filler neck (**D**).
  - Reinstall the fuel fill cap.
6. Clean the exterior surfaces of the cutting deck and engine of any accumulation of spilled fuel, dirt, grass, oil, etc. Keep the engine air intake screen and cooling fins clear at all times.
7. Charge the battery. Refer to the section entitled "Charging the Battery".

## Fuel Recommendations

### Fuel must meet these requirements:

- Clean, fresh, unleaded gasoline with
- A minimum of 87 octane / 87AKI (90 RON).
- Gasoline with up to 10% ethanol (gasahol) or up to 15% MTBE (methyl tertiary butyl ether) is acceptable.
- **CAUTION:** DO NOT use unapproved gasoline, such as E85. Do not mix oil in gasoline or modify the engine to run on alternative fuels. This will damage the engine components and **void the engine warranty.**

The engine on this equipment is certified to operate on gasoline. The emissions control system for this engine is EM (Engine Modifications).

### High Altitude

At altitudes over 5,000 feet (1524 meters), a minimum 85 octane/85 AKI (89 RON) gasoline is acceptable. To remain emissions compliant, high altitude adjustment is required. Operation without this adjustment will cause decreased performance, increased fuel consumption, and increased emissions.

Operation of the engine at altitudes below 2,500 feet (762 meters) with the high altitude kit is not recommended.

### IMPORTANT

The figures and illustrations in this manual are provided for reference only and may differ from your specific model. Contact your dealer if you have questions.

**IMPORTANT** Mower is shipped without oil in engine. Failure to add oil before starting will result in engine damage.

## Starting the Mower

The engine on this mower is equipped with a ReadyStart® system, which features a temperature-controlled automatic choke. It does not have a manual choke or a primer.

1. Squeeze the blade control **(A, Figure 6)** against the drive control **(B)**.
2. Pull the drive control all the way back to the neutral position.

**NOTE:** The blade control and drive control can be operated from either side.

3. Pull the rope start handle **(C)** to start the engine.
4. To stop the engine (and blade), release the blade control.
5. After the engine starts, allow a brief warm-up until the engine runs smooth before beginning mower operation.

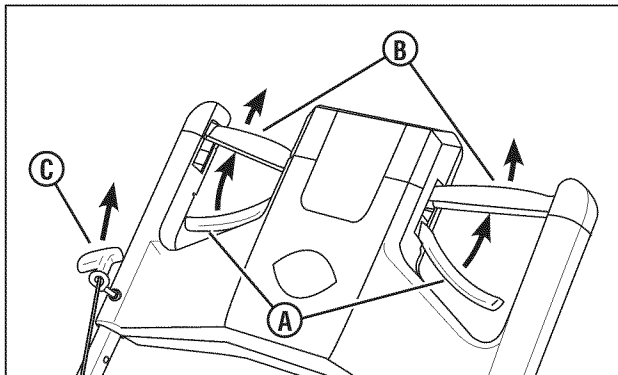


Figure 6: Starting the mower

## Propelling the Mower

1. Start the engine.
2. Begin slowly pushing the drive control **(A, Figure 7)** forward to propel the mower. Forward speed can be increased by pushing the drive control further forward.

**NOTE:** The drive control can be operated from either side.

**IMPORTANT:** Upon initial use, the drive control may have to be adjusted. Refer to the section entitled “Drive Control Adjustment”.

## Stopping the Mower

1. Stop forward motion of the mower by pulling the drive control all the way back.
2. Stop the engine and blade by releasing the blade control.

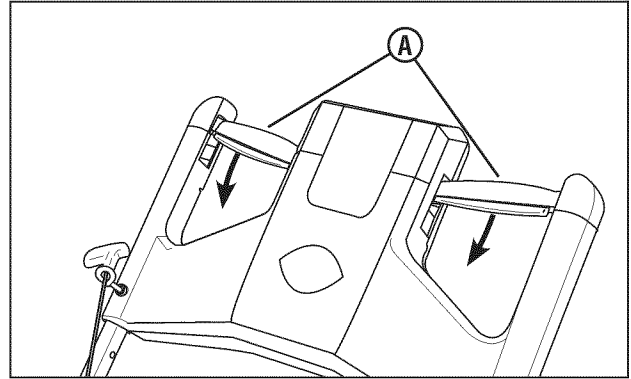


Figure 7: Propelling the mower

## Handle Height Adjustment

**⚠ WARNING ⚠**  
 DO NOT attempt any maintenance, adjustments or service with engine and blade running. STOP engine and blade. Remove starter insert. Disconnect spark plug wire and secure away from spark plug. Engine and components are HOT. Avoid serious burns, allow sufficient time for all components to cool.

For greater operator comfort, the height of the mower handle can be adjusted.

1. Remove the handle knobs, washers and carriage bolts from the lower handle **(A, Figure 8)**.

**NOTE:** Do not remove the lower set of handle hardware (C).

2. Align the handle assembly with one of the three handle height adjustment holes **(B)**.
3. Replace the hardware removed in Step 1, tightening securely.

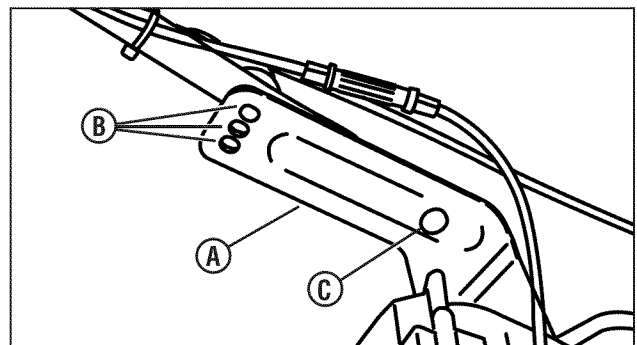


Figure 8: Adjusting the handle height

# Operation

## Cutting Height Adjustment

**⚠ WARNING ⚠**  
DO NOT attempt any maintenance, adjustments or service with engine and blade running. STOP engine and blade. Remove starter insert. Disconnect spark plug wire and secure away from spark plug. Engine and components are HOT. Avoid serious burns, allow sufficient time for all components to cool.

Pull the cutting height adjust lever (**A, Figure 9**) outward, and move to the desired cutting height. The highest cutting position is Notch 9, and the lowest cutting position is Notch 1 (**Figure 10**). Make sure each adjust lever is in the same position so that the mower will cut level.

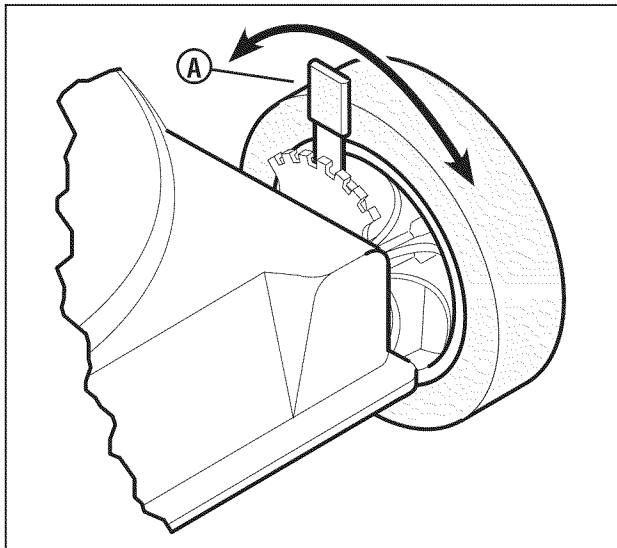


Figure 9: Adjusting cutting height

## Mulching Operation

For best mulching results, cut up to a maximum of 1/3 of grass length and recycle ONLY when grass is dry.

1. Make sure the discharge deflector and grass bag are removed, and the mulching plug is installed.
2. Set the cutting height adjust lever in the highest cutting position (Notch 9).
3. Proceed mowing slowly. Gradually lower the cutting height to obtain the best combination of cutting and mulching performance. Cutting too much grass in one pass, or cutting wet heavy grass may cause clumping or plugging of the mower deck.

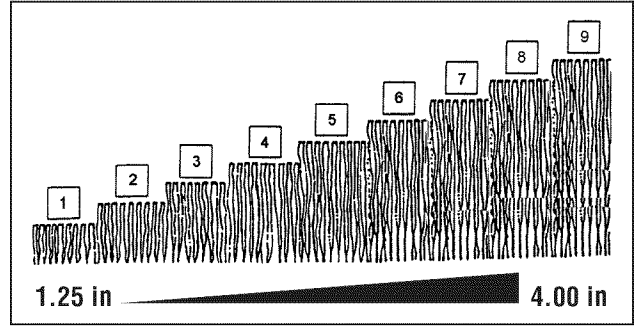


Figure 10: Cutting height settings (approximate)

## Installing the Discharge Deflector

**⚠ WARNING ⚠**  
DO NOT attempt any maintenance, adjustments or service with engine and blade running. STOP engine and blade. Remove starter insert. Disconnect spark plug wire and secure away from spark plug. Engine and components are HOT. Avoid serious burns, allow sufficient time for all components to cool.

1. Raise the mulching cover (**A, Figure 11**).
2. Install the deflector (**B**) to the deck under the mulching cover, making sure that the locking tabs on the deck (**C**) go through the slots in the deflector (**B**).
3. Lower the mulching cover against the deflector.

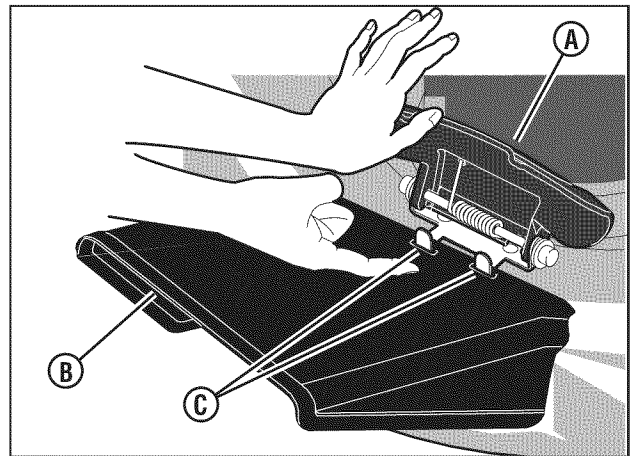


Figure 11: Installing the discharge deflector

## Installing the Grass Bag



### WARNING



DO NOT attempt any maintenance, adjustments or service with engine and blade running. STOP engine and blade. Remove starter insert. Disconnect spark plug wire and secure away from spark plug. Engine and components are HOT. Avoid serious burns, allow sufficient time for all components to cool.

**Important:** The mulching plug must be removed only when bagging is desired, and must be replaced as soon as bagging operations are completed.

1. Raise the rear discharge door (A, Figure 12).
2. Remove the mulching plug (B) from the rear discharge chute.

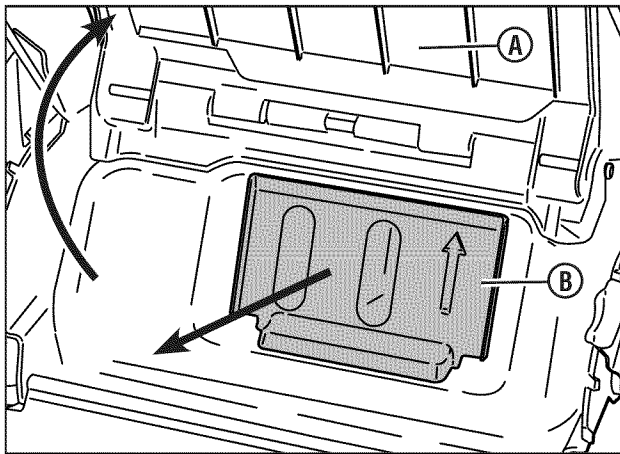


Figure 12: Removing the mulching plug

3. Holding the grass bag handle (A, Figure 13), install the grass bag onto the mower, making sure that the grass bag hooks (B) are hooked onto the rear door pivot rod (C).

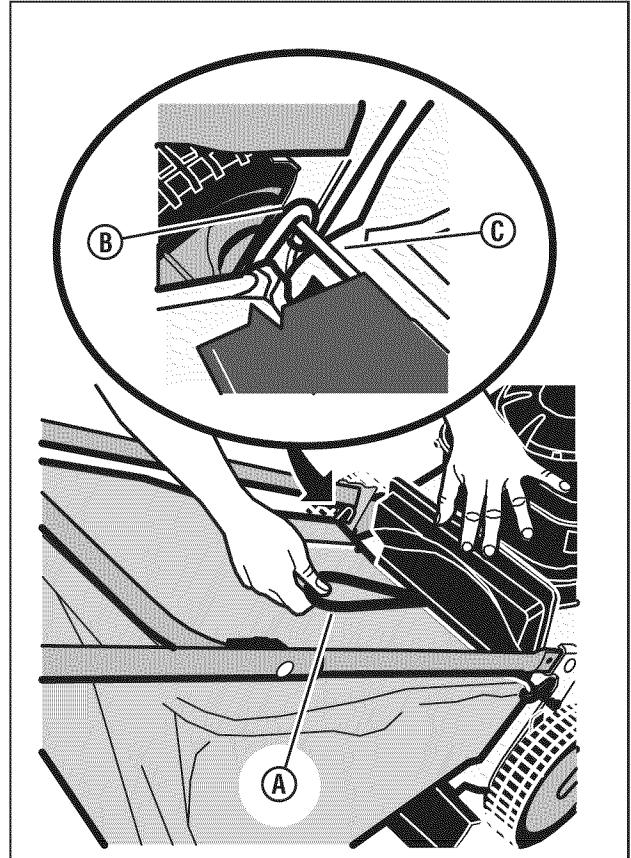


Figure 13: Installing the grass bag



### WARNING



Grass Catcher bags are made of woven fabric, and are subject to deterioration and wear during normal usage. Check condition of bag before each use. Immediately replace worn or damaged catcher bags with only bags recommended by the manufacturer. The grass catcher is optional equipment on some models.

## Maintenance Reminder

The maintenance reminder (**A, Figure 14**) provides timely reminders of important maintenance items. It has six display modes:

### Total Hours

Displays total hours mower has been operated. This is the default screen.

### Trip Hours

To display:

Press the 'Mode' button (**B**) until the 'Trip Hours' screen is displayed.

To reset:

Press and hold the 'Reset' button (**C**) for more than 3 seconds.

### Clock

To display:

Press the 'Mode' button until the 'Clock' screen is displayed.

To set:

1. Press and hold the 'Mode' button for more than 3 seconds. The hour display will flash.
2. Press the 'Reset' button to set the correct hour.
3. Press the 'Mode' button. The minutes display will flash.
4. Press the 'Reset' button to set the correct minutes.
5. Press and hold the 'Mode' button for more than 3 seconds to save the set time.

### Change Oil

The 'Change Oil' icon (**D**) will appear after the first 5 hours (total hours) of operation, then after every 25 hours of operation thereafter. This indicates it is time to change the oil. Be sure to follow the procedures outlined in this manual.

To reset:

1. Press the 'Mode' button until the 'Change Oil' screen is displayed. (The icon will flash.)
2. Press and hold the 'Reset' button for more than 3 seconds.

*NOTE:* If not reset, the 'Change Oil' icon will automatically disappear after 3 operating hours.

### Spark Plug

The 'Spark Plug' icon (**E**) will appear every 50 hours (total hours) of operation. This indicates it is time to change the spark plug. Be sure to follow the procedures outlined in this manual.

To reset:

1. Press the 'Mode' button until the 'Spark Plug' screen is displayed. (The icon will flash.)
2. Press and hold the 'Reset' button for more than 3 seconds.

*NOTE:* If not reset, the 'Spark Plug' icon will automatically disappear after 3 operating hours.

### Air Filter

The 'Air Filter' icon (**F**) will appear every 50 hours (total hours) of operation. This indicates it is time to change the air filter. Be sure to follow the procedures outlined in this manual.

To reset:

1. Press the 'Mode' button until the 'Air Filter' screen is displayed. (The icon will flash.)
2. Press and hold the 'Reset' button for more than 3 seconds.

*NOTE:* If not reset, the 'Air Filter' icon will automatically disappear after 3 operating hours.

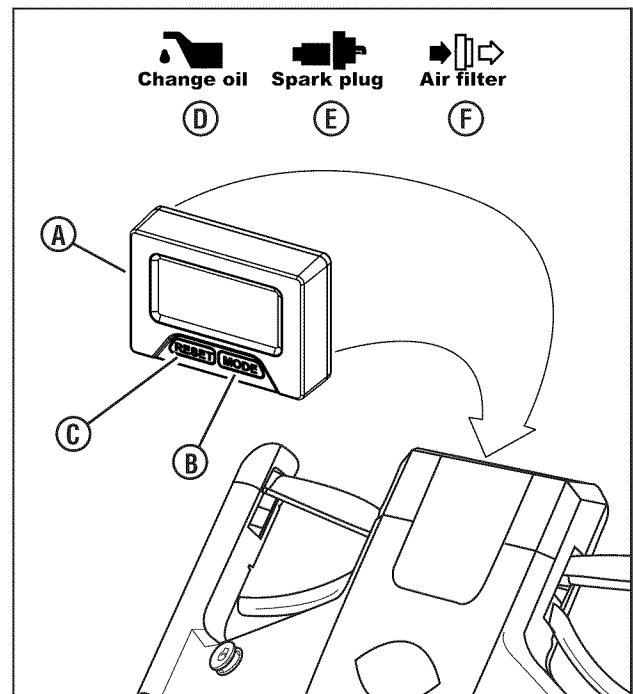




Figure 14: Maintenance reminder

## Maintenance Chart

 <b>WARNING</b> 
<p>DO NOT attempt any maintenance, adjustments or service with engine and blade running. STOP engine and blade. Remove the starter insert. Disconnect spark plug wire and secure away from spark plug. Engine and components are HOT. Avoid serious burns, allow sufficient time for all components to cool. Wear heavy leather gloves when handling or working around cutting blades. Blades are extremely sharp and can cause severe injury.</p>

MOWER
<b>Every 8 Hours or Daily</b>
Check safety interlock system
Clean debris off mower
<b>Every 25 Hours or Annually *</b>
Check mower for loose hardware
<b>See Dealer Annually to</b>
Lubricate mower
Check mower blade **
Check mower blade stopping time
Check drive belt

\* Whichever comes first

\*\*Check blade more often in regions with sandy soils or high dust conditions.

## Emissions Control

Maintenance, replacement, or repair of the emissions control devices and systems may be performed by any non-road engine repair establishment or individual. However, to obtain “no charge” emissions control service, the work must be performed by a factory authorized dealer. See the Emissions Warranty.

ENGINE
<b>First 5 Hours</b>
Change engine oil
<b>Every 8 Hours or Daily</b>
Check engine oil level
<b>Every 25 Hours or Annually *</b>
Clean engine air filter and pre-cleaner (if equipped) **
<b>Every 50 Hours or Annually *</b>
Change engine oil
Replace oil filter (if equipped)
<b>Annually</b>
Replace air filter
Replace pre-cleaner (if equipped)
<b>See Dealer Annually to</b>
Inspect muffler and spark arrester (if equipped)
Replace spark plug
Replace fuel filter (if equipped)
Clean engine air cooling system

\* Whichever comes first

\*\*Clean more often in dusty conditions or when airborne debris is present.

## Maintenance

### Change Engine Oil



#### WARNING



DO NOT attempt any maintenance, adjustments or service with engine and blade running. STOP engine and blade. Remove starter insert. Disconnect spark plug wire and secure away from spark plug. Engine and components are HOT. Avoid serious burns, allow sufficient time for all components to cool.

1. Drain the fuel tank completely.
2. Remove the dipstick (**A, Figure 15**), then turn the mower on its side. Allow the oil to drain from the oil fill tube into an appropriate container. Dispose of used oil properly.
3. Place the mower upright, then fill the engine with engine oil to the 'full' mark on the dipstick. Briggs & Stratton warranty-certified SAE30 lawnmower oil is recommended. **Do not overfill.**

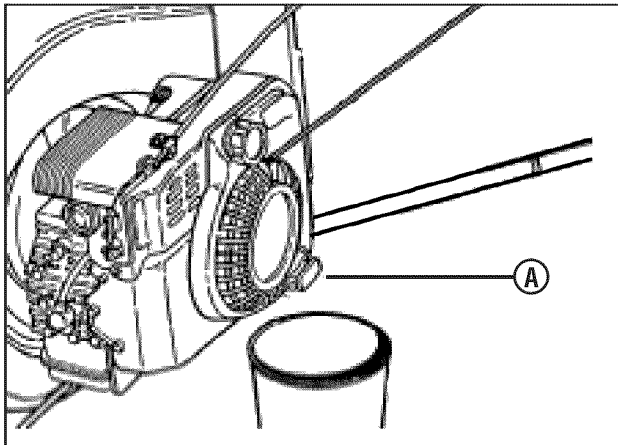


Figure 15: Draining the engine oil

### Service Air Filter



#### WARNING



Never start or run the engine with the air cleaner assembly (if equipped) or the air filter (if equipped) removed.

Refer to the engine owner's manual for air filter service instructions.



## Check Safety Interlock System

1. Start the mower.
2. Release the blade control. **The engine must stop within 3 seconds.**

If the engine does not stop, **do not use the mower**. Bring the mower to an authorized dealer for service.

## Clean Debris Off Mower



### WARNING



DO NOT attempt any maintenance, adjustments or service with engine and blade running. STOP engine and blade. Remove starter insert. Disconnect spark plug wire and secure away from spark plug. Engine and components are HOT. Avoid serious burns, allow sufficient time for all components to cool. Wear heavy leather gloves when handling or working around cutting blades. Blades are extremely sharp and can cause severe injury.

1. Clean dirt and debris from the top of the mower deck.
2. Clean any debris buildup on or around the engine, etc.

While cleaning, check components for wear or damage. Replace worn or damaged components immediately.

## Washout Port



### WARNING



- Use appropriate eye protection.
- Keep people and pets out of the area.
- Stay behind the handle while the engine is running.
- Do not attempt mowing operations while using the washout port.
- Do not attempt to look under or reach under the mower deck for any reason while using the washout port. Serious injury can result.

The washout port allows hands-free cleaning of the underside of the mower deck. To use the washout port:

1. Be sure the grass bag and side discharge deflector are removed.
2. Set the height of cut to the lowest position.
3. Move the mower to a level, paved surface.
4. Stop the engine.
5. Connect the male end of a standard garden hose to the washout port connector (**A, Figure 16**).
6. Turn on the water supply to the garden hose.
7. Start the engine and run until no more debris emerges from under the mower deck.
8. Stop the engine.
9. Turn off the water supply to the garden hose.
10. Disconnect the garden hose from the washout port connector.

11. Start the engine and run for 2-3 minutes, to allow the underside of the mower deck to dry.

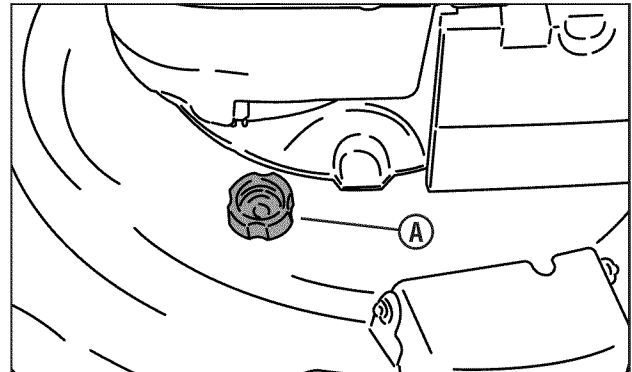


Figure 16: Washout port

# Maintenance

## Drive Control Adjustment



### WARNING



DO NOT attempt any maintenance, adjustments or service with engine and blade running. STOP engine and blade. Remove starter insert. Disconnect spark plug wire and secure away from spark plug. Engine and components are HOT. Avoid serious burns, allow sufficient time for all components to cool.

The drive control (**A, Figure 17**) should engage the transmission when the control is pushed forward, and should disengage the transmission when pulled all the way back.

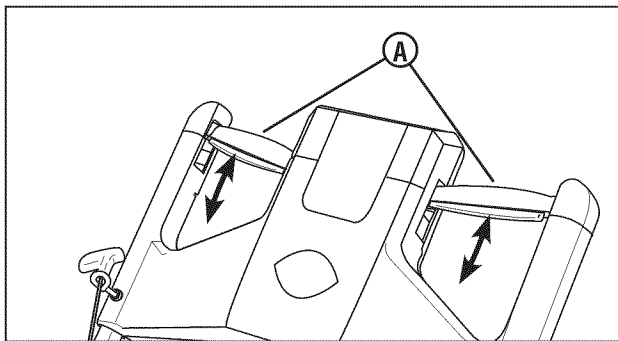


Figure 17: Drive control

If the transmission does not engage or disengage, adjustment may be performed as follows:

- If the transmission does not engage, rotate the turnbuckle (**A, Figure 18**) one-half turn to move the ferrules (**B**) out from the turnbuckle. Check and repeat as needed.
- If the transmission does not disengage, rotate the turnbuckle one-half turn to move the ferrules in toward the turnbuckle. Check and repeat as needed.

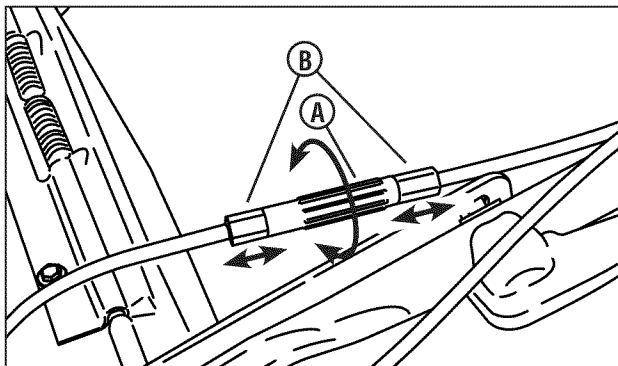


Figure 18: Adjusting the drive cable

**Caution:** Incorrect adjustment can cause premature wear and/or damage to the wheel drive components.

## Storage Procedure



### WARNING



DO NOT attempt any maintenance, adjustments or service with engine and blade running. STOP engine and blade. Remove starter insert. Disconnect spark plug wire and secure away from spark plug. Engine and components are HOT. Avoid serious burns, allow sufficient time for all components to cool. Wear heavy leather gloves when handling or working around cutting blades. Blades are extremely sharp and can cause severe injury.

Prepare the mower for “end of season” storage as follows:

1. Disconnect the spark plug wire and secure away from the spark plug.
2. Drain the fuel tank and let the engine run until all fuel is out of the carburetor.

*NOTE:* If using a fuel stabilizer, there is no need to drain the fuel tank. Refer to the section entitled ‘Fuel System’.

3. Use a brush or compressed air to remove loose debris, then use a damp cloth to wipe down the unit.
4. Tilt the mower up on its rear wheels and inspect the underside of the deck. (Do not tilt the mower with the spark plug or carburetor down.) Scrape away stubborn accumulation of grass with a putty knife and/or wire brush.
5. Lubricate all exposed metal with a light coating of oil to prevent corrosion.
6. Carefully fold the handles, flexing the control cables to prevent cable damage.
7. Store the mower in a shed or other dry area, protected from weather.

## Fuel System

Fuel can become stale when stored over 30 days. Stale fuel causes acid and gum deposits to form in the fuel system or on essential carburetor parts. To keep fuel fresh, use Briggs & Stratton FRESH START® fuel stabilizer, available as a liquid additive or a drip concentrate cartridge.

There is no need to drain gasoline from the engine if a fuel stabilizer is added according to instructions. Run the engine for 2 minutes to circulate the stabilizer throughout the fuel system. The engine and fuel can then be stored up to 24 months.

If gasoline in the engine has not been treated with a fuel stabilizer, it must be drained into an approved container. Run the engine until it stops from lack of fuel. The use of a fuel stabilizer in the storage container is recommended to maintain freshness.

## Troubleshooting

PROBLEM	PROBABLE CAUSE	CORRECTIVE ACTION
Engine Will Not Start	1. Fuel tank empty.	1. Fill fuel tank with fresh fuel.
	2. Spark plug wire disconnected.	2. Place spark plug wire onto spark plug.
Engine Stalls or Loses Power After Running	1. Blade control is released or is not being held securely against drive control.	1. Blade control should be held securely against drive control at all times during operation.
	2. Fuel tank empty.	2. Fill with fuel to proper level.
	3. Engine pre-cleaner and/or air cleaner dirty.	3. Clean or replace precleaner and/or air cleaner.
	4. Spark plug fouled or gap set improperly.	4. Service spark plug.
	5. Water, debris or stale fuel in fuel system.	5. Drain and clean fuel system.
Excessive Vibration	1. Damaged, out of balance or bent mower blade.	1. Contact authorized dealer.
	2. Loose blade components.	2. Contact authorized dealer.
	3. Loose or missing air lift (if equipped).	3. Contact authorized dealer.
	4. Lumpy or frayed belt.	4. Contact authorized dealer.
Mower Will Not Move/ Loss Of Traction	1. Build-up of debris on or around drive components.	1. Clean debris.
	2. Transmission cable adjustment required.	2. Adjust transmission cable.
	3. Drive belt requires replacement.	3. Contact authorized dealer.
	4. Damaged transmission.	4. Contact authorized dealer.
Cutting Grass Improperly	1. Cutting height too low or high.	1. Adjust cutting height.
	2. Forward speed too fast.	2. Adjust to a slower speed.
	3. Cutting blade dull or damaged.	3. Contact authorized dealer.
Poor Grass Discharge	1. Forward speed too fast.	1. Adjust to a slower speed.
	2. Grass is wet.	2. Mow when grass is dry.
	3. Excessively worn or damaged blade.	3. Contact authorized dealer.
	4. Build up of grass clippings and debris under deck.	4. Clean deck.
	5. Improper blade installed on deck.	5. Contact authorized dealer.
	6. Blade installed improperly on deck.	6. Contact authorized dealer.
Oil Leaking	1. Loose dipstick.	1. Make sure dipstick/oil filler cap is securely in place.
	2. Loose drain plug.	2. Check and tighten drain plug.
	3. Oil level is overfilled.	3. Drain excess oil.
	4. Damaged oil seals.	4. Contact authorized dealer.

# Warranties

## BRIGGS & STRATTON POWER PRODUCTS GROUP, L.L.C. OWNER WARRANTY POLICY

### LIMITED WARRANTY

Briggs & Stratton Power Products Group, LLC will repair and/or replace, free of charge, any part(s) of the equipment that is defective in material or workmanship or both. Briggs & Stratton Corporation will repair and/or replace, free of charge, any part(s) of the Briggs and Stratton engine\* (if equipped) that is defective in material or workmanship or both. Transportation charges on product submitted for repair or replacement under this warranty must be borne by purchaser. This warranty is effective for the time periods and subject to the conditions stated below. For warranty service, find the nearest Authorized Service Dealer using our dealer locator at [www.BriggsandStratton.com](http://www.BriggsandStratton.com) or [www.Snapper.com](http://www.Snapper.com).

There is no other express warranty. Implied warranties, including those of merchantability and fitness for a particular purpose, are limited to one year from purchase or to the extent permitted by law. Liability for incidental or consequential damages are excluded to the extent exclusion is permitted by law.

Some states or countries do not allow limitations on how long an implied warranty lasts, and some states or countries do not allow the exclusion or limitation of incidental or consequential damages, so the above limitation and exclusion may not apply to you. This warranty gives you specific legal rights and you may also have other rights which vary from state to state or country to country.

### WARRANTY PERIOD

Item	Consumer Use	Commercial Use:
Equipment	2 Years	90 Days
Engine*	2 Years	90 Days
Battery	1 Year	1 Year

The warranty period begins on the date of purchase by the first retail consumer or commercial end user, and continues for the period of time stated above. "Consumer use" means personal residential household use by a retail consumer. "Commercial use" means all other uses, including use for commercial, income producing or rental purposes. Once product has experienced commercial use, it shall thereafter be considered as commercial use for purposes of this warranty.

No warranty registration is necessary to obtain warranty on Briggs & Stratton products. Save your proof of purchase receipt. If you do not provide proof of the initial purchase date at the time warranty service is requested, the manufacturing date of the product will be used to determine warranty eligibility.

### ABOUT YOUR WARRANTY

We welcome warranty repair and apologize to you for being inconvenienced. Warranty service is available only through servicing dealers authorized by Briggs & Stratton or BSPPG, LLC.

Most warranty repairs are handled routinely, but sometimes requests for warranty service may not be appropriate. This warranty only covers defects in materials or workmanship. It does not cover damage caused by improper use or abuse, improper maintenance or repair, normal wear and tear, or stale or unapproved fuel.

**Improper Use and Abuse** - The proper, intended use of this product is described in the Operator's Manual. Using the product in a way not described in the Operator's Manual or using the product after it has been damaged will void your warranty. Warranty is not allowed if the serial number on the product has been removed or the product has been altered or modified in any way, or if the product has evidence of abuse such as impact damage, or water/chemical corrosion damage.

**Improper Maintenance or Repair** - This product must be maintained according to the procedures and schedules provided in the Operator's Manual, and serviced or repaired using genuine Briggs & Stratton parts. Damage caused by lack of maintenance or use of non-original parts is not covered by warranty.

**Normal Wear** - Like all mechanical devices, your unit is subject to wear even when properly maintained. This warranty does not cover repairs when normal use has exhausted the life of a part or the equipment. Maintenance and wear items such as filters, belts, cutting blades, and brake pads (engine brake pads are covered) are not covered by warranty due to wear characteristics alone, unless the cause is due to defects in material or workmanship.

**Stale Fuel** - In order to function correctly, this product requires fresh fuel that conforms to the criteria specified in the Operator's Manual. Damage caused by stale fuel (carburetor leaks, clogged fuel tubes, sticking valves, etc) is not covered by warranty.

\* Applies to Briggs and Stratton engines only. Warranty coverage of non-Briggs and Stratton engines is provided by the engine manufacturer.

January 2011

## California, U.S. EPA, and Briggs & Stratton Corporation Emissions Control Warranty Statement Your Warranty Rights And Obligations

The California Air Resources Board, U.S. EPA, and Briggs & Stratton (B&S) are pleased to explain the emissions control system warranty on your Model Year 2011-2012 engine / equipment. In California, new small off-road engines and large spark ignited engines less than or equal to 1.0 liter must be designed, built, and equipped to meet the State's stringent anti-smog standards. B&S must warrant the emissions control system on your engine / equipment for the periods of time listed below provided there has been no abuse, neglect, or improper maintenance of your engine or equipment.

Your emissions control system may include parts such as the carburetor or fuel injection system, fuel tank, ignition system, and catalytic converter. Also included may be hoses, belts, connectors, sensors, and other emissions-related assemblies.

Where a warrantable condition exists, B&S will repair your engine / equipment at no cost to you including diagnosis, parts, and labor.

### Manufacturer's Warranty Coverage:

Small off-road engines and large spark ignited engines less than or equal to 1.0 liter are warranted for three years. If any emissions-related part on your engine / equipment is defective, the part will be repaired or replaced by B&S.

### Owner's Warranty Responsibilities:

- As the engine / equipment owner, you are responsible for the performance of the required maintenance listed in your owner's manual. B&S recommends that you retain all receipts covering maintenance on your engine / equipment, but B&S cannot deny warranty solely for the lack of receipts or your failure to ensure the performance of all scheduled maintenance.
- As the engine / equipment owner, you should however be aware that B&S may deny you warranty coverage if your engine / equipment or a part has failed due to abuse, neglect, improper maintenance, or unapproved modifications.
- You are responsible for presenting your engine / equipment to a B&S distribution center, servicing dealer, or other equivalent entity, as applicable, as soon as a problem exists. The warranty repairs should be completed in a reasonable amount of time, not to exceed 30 days. If you have any questions regarding your warranty rights and responsibilities, you should contact B&S at (414) 259-5262.

## Briggs & Stratton Emissions Control Warranty Provisions

The following are specific provisions relative to your Emissions Control Warranty Coverage. It is in addition to the B&S engine warranty for non-regulated engines found in the Operator's Manual.

### 1. Warranted Emissions Parts

Coverage under this warranty extends only to the parts listed below (the emissions control systems parts) to the extent these parts were present on the engine purchased.

- Fuel Metering System**
  - Cold start enrichment system (soft choke)
  - Carburetor and internal parts
  - Fuel pump
  - Fuel line, fuel line fittings, clamps
  - Fuel tank, cap and tether
  - Carbon canister
- Air Induction System**
  - Air cleaner
  - Intake manifold
  - Purge and vent line
- Ignition System**
  - Spark plug(s)
  - Magneto ignition system
- Catalyst System**
  - Catalytic converter
  - Exhaust manifold
  - Air injection system or pulse valve
- Miscellaneous Items Used in Above Systems**
  - Vacuum, temperature, position, time sensitive valves and switches
  - Connectors and assemblies

### 2. Length of Coverage

For a period of three years from date of original purchase, B&S warrants to the original purchaser and each subsequent purchaser that the engine is designed, built, and equipped so as to conform with all applicable regulations adopted by the Air Resources Board; that it is free from defects in material and workmanship that could cause the failure of a warranted part; and that it is identical in all material respects to the engine described in the manufacturer's application for certification. The warranty period begins on the date the engine is originally purchased.

The warranty on emissions-related parts is as follows:

- Any warranted part that is not scheduled for replacement as required maintenance in the owner's manual supplied, is warranted for the warranty period stated above. If any such part fails during the period of warranty coverage, the part will be repaired or replaced by B&S at no charge to the owner. Any such part repaired or replaced under the warranty will be warranted for the remaining warranty period.
  - Any warranted part that is scheduled only for regular inspection in the owner's manual supplied, is warranted for the warranty period stated above. Any such part repaired or replaced under warranty will be warranted for the remaining warranty period.
  - Any warranted part that is scheduled for replacement as required maintenance in the owner's manual supplied, is warranted for the period of time prior to the first scheduled replacement point for that part. If the part fails prior to the first scheduled replacement, the part will be repaired or replaced by B&S at no charge to the owner. Any such part repaired or replaced under warranty will be warranted for the remainder of the period prior to the first scheduled replacement point for the part.
  - Add on or modified parts that are not exempted by the Air Resources Board may not be used. The use of any non exempted add on or modified parts by the owner will be grounds for disallowing a warranty claim. The manufacturer will not be liable to warrant failures of warranted parts caused by the use of a non exempted add on or modified part.
- 3. Consequential Coverage**  
Coverage shall extend to the failure of any engine components caused by the failure of any warranted emissions parts.
  - 4. Claims and Coverage Exclusions**  
Warranty claims shall be filed according to the provisions of the B&S engine warranty policy. Warranty coverage does not apply to failures of emissions parts that are not original equipment B&S parts or to parts that fail due to abuse, neglect, or improper maintenance as set forth in the B&S engine warranty policy. B&S is not liable for warranty coverage of failures of emissions parts caused by the use of add-on or modified parts.

## Look For Relevant Emissions Durability Period and Air Index Information On Your Small Off-Road Engine Emissions Label

Engines that are certified to meet the California Air Resources Board (CARB) small off-road Emissions Standard must display information regarding the Emissions Durability Period and the Air Index. Briggs & Stratton makes this information available to the consumer on our emissions labels. The engine emissions label will indicate certification information.

The **Emissions Durability Period** describes the number of hours of actual running time for which the engine is certified to be emissions compliant, assuming proper maintenance in accordance with the Operating & Maintenance Instructions. The following categories are used:

### Moderate:

Engine is certified to be emissions compliant for 125 hours of actual engine running time.

### Intermediate:

Engine is certified to be emissions compliant for 250 hours of actual engine running time.

### Extended:

Engine is certified to be emissions compliant for 500 hours of actual engine running time. For example, a typical walk-behind lawn mower is used 20 to 25 hours per year. Therefore, the **Emissions Durability Period** of an engine with an **intermediate** rating would equate to 10 to 12 years.

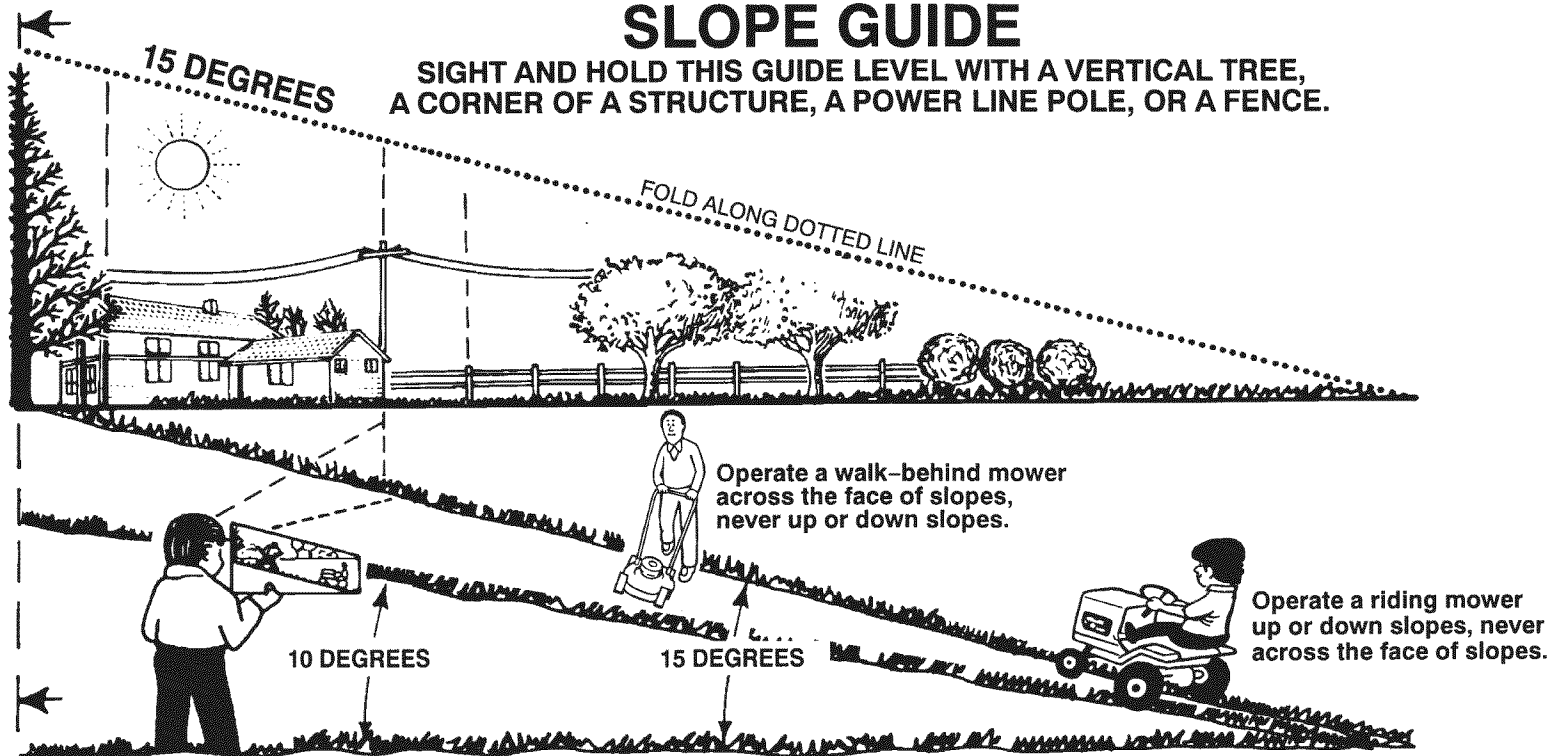
Briggs & Stratton engines are certified to meet the United States Environmental Protection Agency (USEPA) Phase 2 emissions standards. For Phase 2 certified engines, the Emissions Compliance Period referred to on the Emissions Compliance label indicates the number of operating hours for which the engine has been shown to meet Federal emissions requirements.

For engines less than 225 cc displacement.  
Category C = 125 hours, Category B = 250 hours, Category A = 500 hours

For engines of 225 cc or more displacement.  
Category C = 250 hours, Category B = 500 hours, Category A = 1000 hours

Form No. 279967EN  
Revision: -





On a riding mower to determine if a slope is safe to mow: (1) disengage the blade(s), (2) put the unit in reverse, and (3) try to back straight up the slope. If you can back up the slope, it is generally safe to mow. However, if you do not feel safe, or if you are not completely sure, use this guide and do not mow a slope that is greater than 15 degrees. If the riding mower is used with a pull-behind or rear mounted attachment, do not operate the unit on a slope that is greater than 10 degrees.

A 15 degree slope is a hill that increases in height at approximately 2.5 feet in 10 feet.  
 A 10 degree slope is a hill that increases in height at approximately 1.7 feet in 10 feet.



Use extreme care at all times, and avoid sudden turns or maneuvers. Follow other instructions in this manual for safety in mowing on slopes. Operate a riding mower up or down slopes, never across the face of slopes. Operate a walk-behind mower across the face of slopes, never up or down slopes. Use extra care when operating on or near slopes and obstructions.

# SNAPPER®

---

## Specifications

### Mower

Deck Size (in)	22
Height of Cut (in)	1.25 - 4
Transmission Type	Variable Speed/Gear
Ground Speed (mph)	0 - 4.2
Blade Torque (ft-lbs)	40

### Engine

Engine Power (ft-lbs)	7.00
Engine Displacement (cc)	190
Fuel Tank Capacity (qt)	1.0

## Common Service Parts

### Mower

Mower Blade	7103288
Drive Belt	7103362

## Part Number

---

**Power Rating:** The gross power rating for individual gas engine models is labeled in accordance with SAE (Society of Automotive Engineers) code J1940 (Small Engine Power & Torque Rating Procedure), and rating performance has been obtained and corrected in accordance with SAE J1995 (Revision 2002-05). Torque values are derived at 3060 RPM; horsepower values are derived at 3600 RPM. Net power values are taken with exhaust and air cleaner installed whereas gross power values are collected without these attachments. Actual gross engine power will be higher than net engine power and is affected by, among other things, ambient operating conditions and engine-to-engine variability. Given the wide array of products on which engines are placed, the gas engine may not develop the rated gross power when used in a given piece of power equipment. This difference is due to a variety of factors including, but not limited to, the variety of engine components (air cleaner, exhaust, charging, cooling, carburetor, fuel pump, etc.), application limitations, ambient operating conditions (temperature, humidity, altitude), and engine-to-engine variability. Due to manufacturing and capacity limitations, Briggs & Stratton may substitute an engine of higher rated power for this Series engine.



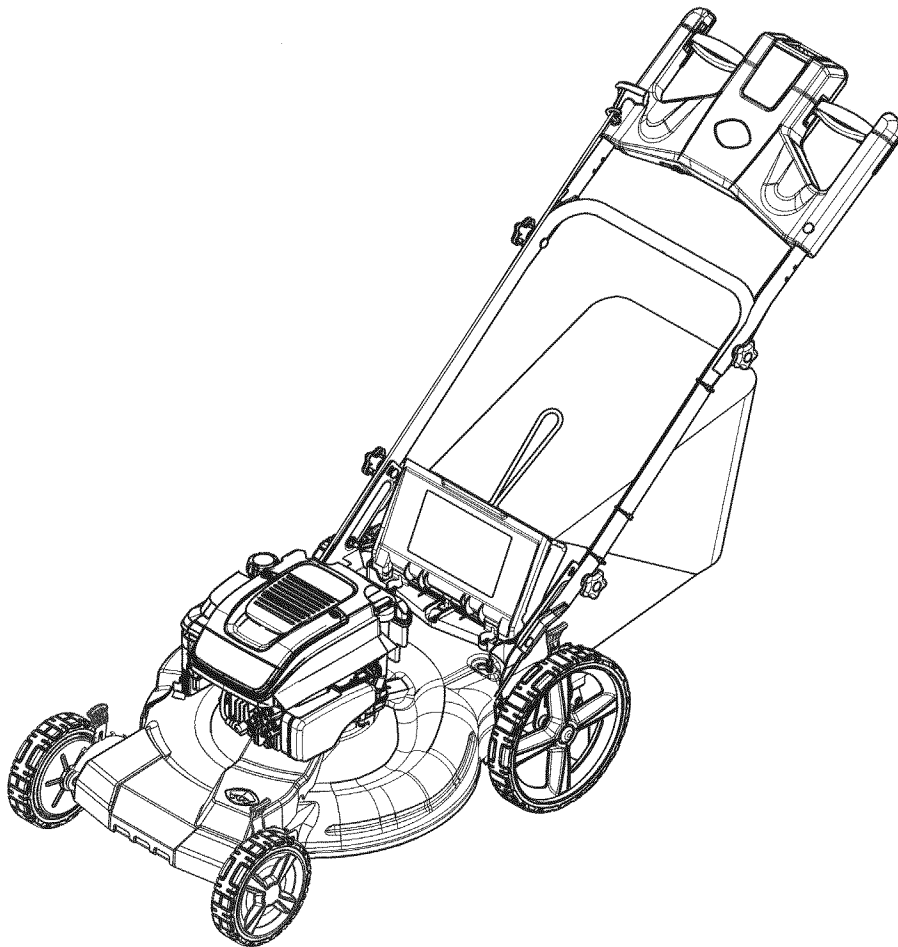
# SNAPPER®

*Manual del usuario*



<i>N° de modelo</i>	<i>Descripción</i>
---------------------	--------------------

<b>7800776</b>	<b>SPXV2270HW</b>
<b>7800779</b>	<b>NSPXV2270HW</b>



**Gracias** por haber adquirido este cortacésped Snapper de alta calidad. Le agradecemos la confianza que Ud. ha depositado en la marca Snapper. Si se maneja y se realiza el mantenimiento adecuado tal y como se indica en este manual, su cortacésped Snapper le proporcionará años de funcionamiento fiable.

**Este manual contiene** información de seguridad para avisarle de los peligros y riesgos asociados con el dispositivo y sobre el modo de evitarlos. Esta máquina está diseñada y concebida únicamente para el corte final de césped asentado y no para cualquier otro propósito. Es importante que lea y comprenda estas instrucciones con detenimiento antes de proceder a arrancar o hacer funcionar este equipo.

**Conserve estas instrucciones originales para consultarlas en el futuro.**

**Fecha de compra** \_\_\_\_\_

**Minorista** \_\_\_\_\_

**Número de teléfono del vendedor minorista** \_\_\_\_\_

### **Equipo**

Número de modelo \_\_\_\_\_

Número de serie \_\_\_\_\_

### **Motor**

Modelo \_\_\_\_\_ Tipo \_\_\_\_\_ Código \_\_\_\_\_

**SNAPPER** es una marca comercial de  
Briggs & Stratton Power Products Group, LLC  
Milwaukee, WI, EEUU.

Copyright © 2010, Briggs & Stratton Corporation  
Milwaukee, WI, EEUU. Todos los derechos reservados.

# Índice

<b>Seguridad del usuario .....</b>	<b>4</b>
Instrucciones de seguridad .....	4
Etiquetas transparentes de seguridad y funcionamiento .....	6
<b>Características y mandos.....</b>	<b>8</b>
<b>Montaje.....</b>	<b>9</b>
<b>Operación .....</b>	<b>10</b>
Antes de empezar.....	10
Recomendaciones sobre combustible.....	10
Encendido del cortacésped .....	11
Propulsión del cortacésped .....	11
Ajuste de altura del mango .....	11
Ajuste de altura de corte .....	12
Funcionamiento de la desmenuzadora.....	12
Instalación del deflector de descarga.....	12
Instalación de la bolsa de césped .....	13
Recordatorio de mantenimiento .....	14
<b>Mantenimiento .....</b>	<b>15</b>
Tabla de mantenimiento.....	15
Cambiar el aceite del motor.....	16
Haga el mantenimiento del filtro de aire .....	16
Revisar el sistema de bloqueo de seguridad.....	17
Limpieza de los desechos del cortacésped .....	17
Ajuste del control de la transmisión .....	18
Procedimiento de almacenamiento .....	18
<b>Solución de problemas .....</b>	<b>19</b>
<b>Garantías.....</b>	<b>20</b>
<b>Sensor de inclinación .....</b>	<b>23</b>



## ADVERTENCIA



Constituye una infracción del artículo 4442 del California Public Resource Code utilizar u operar el motor en la proximidades de terrenos boscosos o de rastrojo o que estén cubiertos de hierba a menos que el sistema de escape esté equipado con un dispositivo antichispas, tal y como se define en la Sección 4442, que además se mantenga en un buen estado de funcionamiento. Otros estados o jurisdicciones federales pueden tener normas legales similares. Póngase en contacto con el fabricante original del equipo, el vendedor o el distribuidor para obtener un dispositivo antichispas para el sistema de escape instalado en este motor.



## ADVERTENCIA



Los bornes, las terminales de la batería y los accesorios de la misma contienen plomo y compuestos de plomo, productos químicos que el Estado de California reconoce causar cáncer, defectos de nacimiento y otras lesiones genéticas. Lávese las manos después de manejar la batería o sus accesorios.



## ADVERTENCIA



El tubo de escape del motor, algunos de sus componentes y ciertos componentes del vehículo contienen o emiten productos químicos que el Estado de California reconoce causar cáncer u otras lesiones genéticas.

# Seguridad del usuario



**ADVERTENCIA:** Esta potente máquina cortacésped puede llegar a amputar manos y pies y puede lanzar objetos que pueden causar lesiones y daños. El no cumplimiento de las siguientes instrucciones de SEGURIDAD puede resultar en lesiones graves o muerte al usuario u otras personas. El propietario de la máquina deberá comprender estas instrucciones y permitirá utilizar la máquina únicamente a personas que comprendan estas instrucciones. Todas las personas que manejen esta máquina deberán estar sanas mental y físicamente y no deberán hallarse bajo la influencia de ningún tipo de sustancias que puedan deteriorar sus capacidades visuales, su destreza o su capacidad de juicio. Si tiene alguna pregunta relativa a su máquina que su distribuidor no pueda responder como usted desea, póngase en contacto con el Departamento de Atención al Cliente (1-800-317-7833 o [www.snapper.com](http://www.snapper.com)).

## PROTEJA A LOS NIÑOS

Pueden ocurrir accidentes graves si el usuario no está atento ante la presencia de niños. Los niños suelen sentirse atraídos por la unidad y por la actividad del cortacésped. Nunca dé por hecho que los niños vayan a permanecer en el último lugar en el que los vio.

1. MANTENGA a los niños fuera de la zona en la que va a cortar el césped y vigilados por un adulto que se responsabilice de ellos, aparte del usuario de la máquina.
2. NO PERMITE que los niños permanezcan en la zona cuando esté funcionando la máquina y DESCONÉCTELA si cualquier persona entra en la zona.
3. NO PERMITA que los niños con edad inferior a la debida utilicen la máquina.
4. Solamente deje que utilicen la máquina adultos, los adolescentes deberán utilizar la máquina bajo supervisión de un adulto.
5. NO RETROCEDA con el cortacésped a menos que sea absolutamente necesario. COMPRUEBE que no haya ningún niño, mascota u objeto peligroso detrás o debajo de la máquina antes y durante la marcha atrás.
6. TENGA ESPECIAL CUIDADO al acercarse a esquinas ciegas, arbustos, árboles u otros objetos que puedan obstaculizar la visión.

## FUNCIONAMIENTO EN PENDIENTES

1. Las pendientes son un factor principal en los accidentes por deslizamientos caídas, que pueden resultar en graves lesiones. Las pendientes de toda clase exigen la mayor precaución. Si no se siente seguro sobre una pendiente, no utilice el cortacésped sobre ella.
2. En las pendientes, utilice el cortacésped a lo ancho, nunca de arriba a abajo. Tenga extremo cuidado CUANDO cambie de dirección en pendientes. NO UTILICE el cortacésped en pendientes pronunciado ni en otras zonas en que la estabilidad o la capacidad de tracción sean inciertas. Consulte la Sensor de inclinación que encontrará en la parte trasera de este manual.
3. Tenga especial cuidado con los recogedores de hierba u otros accesorios: afectan a la conducción y a la estabilidad de la máquina.

## PREPARACIÓN

1. Lea, entienda y siga las instrucciones y advertencias contenidas en este manual y sobre el cortacésped, el motor y los elementos adjuntos. Debe conocer los controles y la forma de utilización del cortacésped adecuada antes de empezar.
2. Solamente deberán manejar la máquina personas maduras y responsables y después de haber sido debidamente instruidas.
3. Los datos indican que los usuarios de 60 o más años están implicados en un amplio porcentaje de las lesiones relacionadas con el uso de cortacéspedes. Estos usuarios deberán evaluar su capacidad de manejar la máquina con seguridad antes de manejarla para protegerse a sí mismos y a los demás de lesiones.

## PREPARACIÓN

### (Continuación de la columna previa)

4. Manipule el carburante con especial precaución. Los carburantes son inflamables y sus vapores son explosivos. Utilice solamente un recipiente homologado para el carburante. NO retire la tapa del carburante ni añada carburante con el motor funcionando.  
Añada carburante únicamente en exteriores y con el motor parado y frío. Limpie el combustible y aceite derramados sobre la máquina. NO fume.
5. Compruebe la zona en la que va a cortar el césped y retire todos los objetos como juguetes, cables, piedras, ramas y otros elementos que puedan causar lesiones si son lanzados por la cuchilla o interfieren con el funcionamiento del cortacésped. Tenga en cuenta también la ubicación de agujeros, troncos cortados y otros posibles peligros.
6. Mantenga a personas y animales domésticos fuera de la zona de corte. DETENGA de forma inmediata la cuchilla, el motor y el cortacésped si cualquier persona entra en la zona.
7. Compruebe con frecuencia el funcionamiento y la ubicación de protecciones, deflectores, interruptores, controles de la cuchilla y otros dispositivos de seguridad.
8. Asegúrese de que todas las etiquetas de seguridad se lean con claridad. Sustitúyalas por otras si están dañadas.
9. Protéjase cuando corte el césped y use gafas protectoras, pantalones largos y calzado consistente. NO CORTE el césped con los pies desnudos o con sandalias.
10. Debe saber como DETENER la cuchilla y el motor con rapidez ante cualquier emergencia.
11. Tenga especial cuidado cuando cargue o descargue la máquina de camiones o furgonetas.
12. Compruebe con frecuencia los componentes del recogedor de hierba en busca de signos de desgaste o deterioro y repóngalos según sea necesario para evitar lesiones producidas por el lanzamiento de objetos a través de puntos débiles o desgarrados.

## MANIPULACIÓN SEGURA DE LA GASOLINA

Para evitar lesiones personales o daños en los bienes, tenga especial cuidado cuando manipule gasolina. La gasolina es extremadamente inflamable y sus vapores son explosivos.

1. Apague todos los cigarrillos, puros, pipas y cualquier otra fuente de ignición
2. Utilice solamente un recipiente homologado para el carburante.
3. NO retire la tapa del carburante ni añada carburante con el motor en funcionamiento. Deje que el motor se enfríe antes de reponer el combustible.
4. NO ponga carburante en la máquina en espacios interiores.
5. NO guarde la máquina ni el recipiente de carburante en lugares en los que haya llamas, chispas o luces piloto como las de los calentadores de agua u otros dispositivos.
6. NO llene recipientes de carburante en el interior de vehículos o sobre un camión o trailer con revestimientos de plástico. Coloque siempre los recipientes sobre el suelo y apartados del vehículo, antes de llenarlos.

## MANIPULACIÓN SEGURA DE LA GASOLINA (Continuación de la página anterior)

7. Retire del vehículo o camión el equipamiento que se alimente de gasolina y reponga el carburante sobre el suelo. Si esto no fuese posible, reponga el carburante del equipo utilizando un contenedor portátil y no con boquillas dosificadoras de gasolina.
8. NO encienda equipos alimentados por gas dentro de vehículos o camiones cerrados.
9. Mantenga la boquilla en contacto con el borde de la boca del tanque o recipiente de combustible en todo momento y hasta haber completado el llenado. NO use un dispositivo con la boquilla abierta.
10. Si se derrama carburante sobre la ropa, cámbiese de inmediato.
11. NO llene demasiado el tanque de combustible. Vuelva a colocar la tapa del depósito y ajústela firmemente.

## FUNCIONAMIENTO

1. NO coloque las manos o pies cerca o debajo de piezas giratorias. Mantenga despejada la zona de descarga mientras el motor esté en marcha.
2. DETENGA el motor cuando atraviese zonas, paseos o caminos de grava o en cualquier situación en que puedan lanzarse objetos que constituyan un peligro.
3. Utilice el cortacésped únicamente en horas de luz o con suficiente luz artificial.
4. NO utilice la unidad cuando se halle bajo los efectos del alcohol o de drogas.
5. Si golpea un objeto extraño o el cortacésped vibra de forma anormal, DETENGA el motor y desconecte y asegure el cable de la bujía. Inspeccione el cortacésped en busca de posibles daños y, si es el caso, repárelos antes de volver a arrancarlo.
6. NO utilice el cortacésped cerca bajadas, zanjas o terraplenes. El operador podría dejar de hacer pie o perder el equilibrio.
7. MANTÉNGASE ALERTA por si hubiese agujeros u otros peligros ocultos. La hierba alta puede ocultar obstáculos. Manténgase lejos de cunetas, desniveles, alcantarillas, vallas y objetos que sobresalgan.
8. NO utilice el cortacésped sobre hierba húmeda. Cerciórese siempre de hacer pie. Mantenga asido con fuerza el mango y avance lentamente, sin correr. Perder el pie puede causar accidentes que produzcan lesiones.
9. Manténgase siempre detrás del mango cuando el motor esté en funcionamiento.
10. NO abandone la máquina con el motor en marcha. DETENGA LA CUCHILLA y PARE EL MOTOR antes de abandonar por cualquier razón el puesto de operador.
11. Antes de limpiar, reparar o inspeccionar, cerciórese de que se hayan DETENIDO el motor, la cuchilla y todas las partes móviles. Desconecte y asegure el cable de la bujía lejos del conector para evitar arranques accidentales.
12. DETENGA el motor y espere hasta que la cuchilla que completamente DETENIDA antes de retirar la bolsa de hierba y/o retirar la hierba.
13. NO haga funcionar el cortacésped sin que el recogedor de hierba, la protección posterior y los demás dispositivos de seguridad estén en su lugar y en funcionamiento. NO apunte la descarga hacia personas, coches que pasen, ventanas o puertas.

## FUNCIONAMIENTO

### (Continuación de la columna previa)

14. NO descargue materiales contra paredes u obstáculos. Los materiales puede rebotar hacia el usuario.
15. Reduzca la velocidad antes de realizar giros.
16. Tenga cuidado con el tráfico cuando esté cerca una calzada o la esté cruzando.
17. NO haga funcionar el motor en zonas cerradas. Los gases del tubo de escape del motor contienen monóxido de carbono, un veneno letal.
18. Utilice únicamente accesorios aprobados por el fabricante. Consulte las instrucciones del fabricante para obtener información sobre el funcionamiento y la instalación de accesorios.

## MANTENIMIENTO Y ALMACENAMIENTO

1. NO almacene el cortacésped ni el contenedor de combustible en interiores en que los humos puedan alcanzar llamas expuestas, chispas o luces pilotos como las de los calentadores de agua, hornos u otros dispositivos que utilicen combustibles. Deje que el motor se enfríe antes de guardar la máquina en un lugar cerrado. Almacene el contenedor de combustible fuera del alcance de los niños en una construcción ventilada desocupada.
2. Mantenga el cortacésped y su motor libre de hierba, hojas o exceso de grasa para reducir el riesgo de incendio y el sobrecalentamiento del motor.
3. Cuando drene el depósito del carburante, vacíe el carburante en un contenedor homologado y hágalo en espacios exteriores y lejos de llamas abiertas.
4. Mantenga precedentemente ajustados todos los pernos, especialmente los pernos de la cuchilla, tuercas y tornillos. Compruebe que todos los pernos de seguridad estén en la posición adecuada.
5. Procure que haya siempre la ventilación adecuada antes de poner el motor en funcionamiento. Los gases del tubo de escape del motor contienen monóxido de carbono, un veneno letal.
6. Repare o ajuste el motor solamente cuando no esté funcionando. Retire el cable de la bujía de la bujía y asegúrelo lejos de la bujía para evitar el arranque accidental.
7. NO cambie los ajustes de velocidad del regulador del motor ni le de velocidad de más al motor.
8. Compruebe la junta de la bolsa de hierba en busca de desgastes o signos de deterioro para evitar que salgan despedidos objetos y la exposición de partes móviles. Sustitúyala por una nueva bolsa si aparecen costuras sueltas o desgarramientos. Sustituya el dispositivo deslizante o el adaptador de la bolsa si aparece roto o agrietado.
9. Las cuchillas del cortacésped son afiladas y pueden producir cortes. Envuelva las cuchillas o utilice guantes de cuero resistentes y extreme la PRECAUCIÓN cuando las manipule.
10. NO compruebe la existencia de chispas basando la bujía junto al orificio de la bujía; la chispa podrá hacer que se quemé la gasolina que salga del motor.
11. Lleve la máquina a que se la revisen a un distribuidor autorizado al menos una vez al año y haga que el distribuidor le instale cualquier dispositivo de seguridad nuevo que haya.
12. Solo use piezas de reposición autorizadas por la fábrica o partes similares al hacer reparaciones.

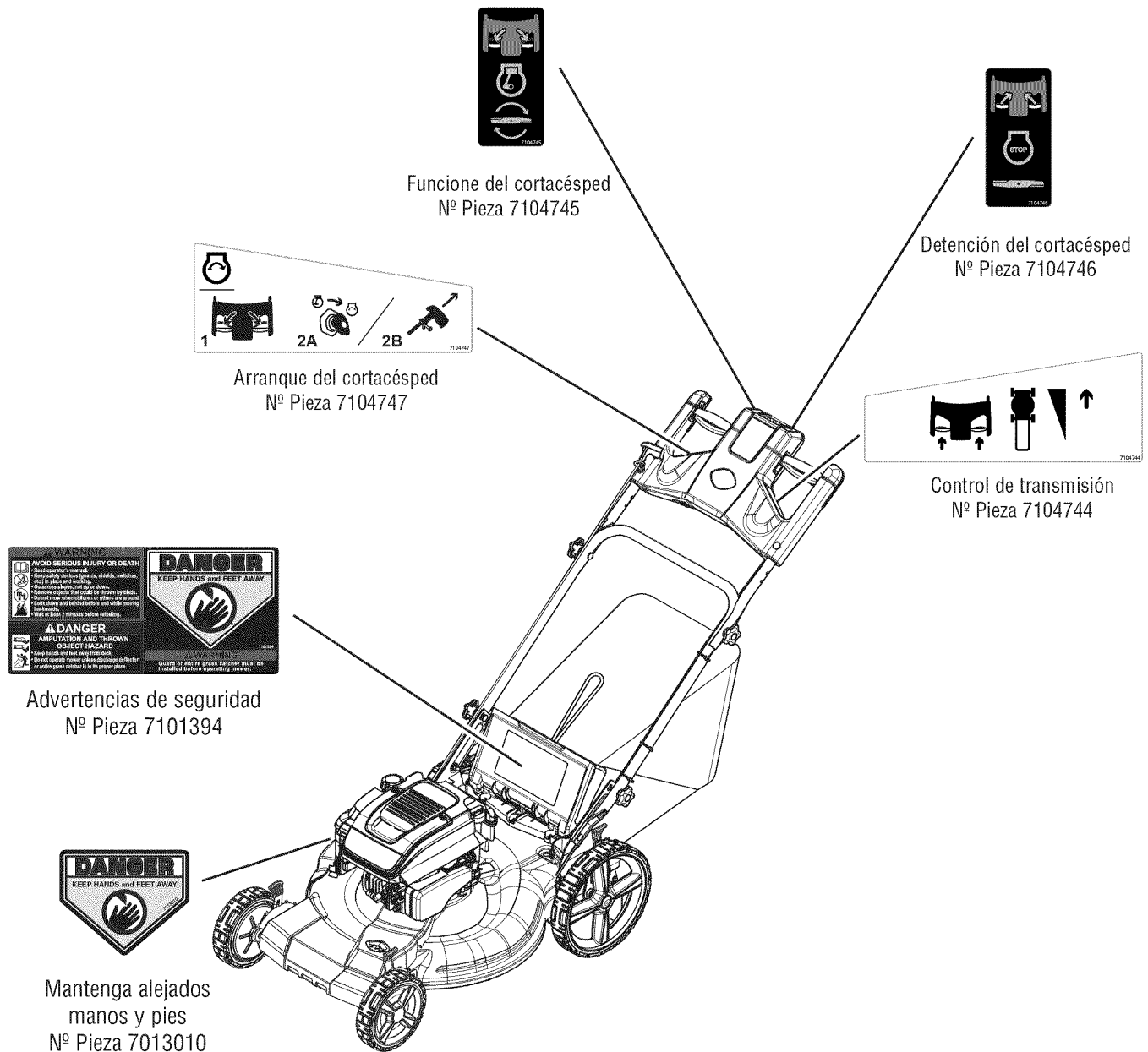
# Seguridad del usuario

## Etiquetas transparentes de seguridad y funcionamiento

La lectura de este manual y las instrucciones de seguridad que contiene le proporcionarán todo lo que necesita saber para manejar este cortacésped de un modo seguro y eficaz. Sin embargo, el cortacésped también tiene pegadas etiquetas de seguridad y funcionamiento que sirven para recordarle información importante durante el funcionamiento.

Las etiquetas incluidas a continuación están pegadas en el cortacésped. Las advertencias de seguridad y las instrucciones de funcionamiento que incluyen deben leerse, entenderse y respetarse cuidadosamente. **Si no se siguen estas importantes advertencias e instrucciones pueden producirse lesiones físicas graves o la muerte.**

Si alguna de estas etiquetas transparentes se perdiese o dañase, sustitúyala inmediatamente. Póngase en contacto con su agente para obtener pegatinas de sustitución.



## Explicación del significado de las etiquetas de seguridad



A. ADVERTENCIA: Evite la muerte o lesiones graves



Lea el manual del usuario antes de intentar usar el cortacésped.



En las pendientes, utilice el cortacésped a lo ancho, nunca de arriba a abajo.



Para evitar que se produzcan lesiones en las personas de alrededor, no corte el césped cuando los niños u otras personas estén en los alrededores.



Para reducir el riesgo de incendio, espere al menos 2 minutos antes de reponer el combustible.

PELIGRO: Riesgo de amputaciones y de lanzamiento de objetos.



Para evitar lesiones graves o la muerte, mantenga las manos y los pies alejados de la cubierta del cortacésped en todo momento durante el funcionamiento.

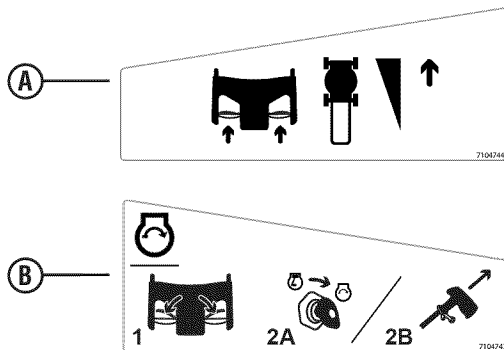


Para evitar lesiones provocadas por los objetos que pueden salir despedidos, no use el cortacésped a menos que todos los componentes de la trituradora, el dispositivo de descarga o la bolsa estén situados correctamente.

C. PELIGRO: Mantenga alejados manos y pies.

D. ADVERTENCIA: Se debe instalar el protector o recogedor de hierba antes de poner en funcionamiento el cortacésped.

## Explicación del significado de las etiquetas de funcionamiento

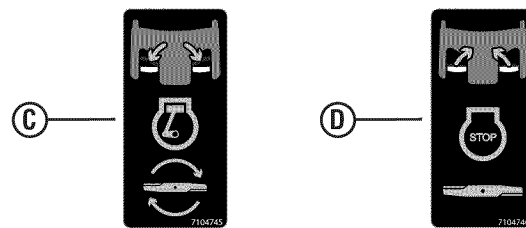


A. Control de transmisión

- Oprima el control de transmisión hacia delante para propulsar al cortacésped. Empuje el control de transmisión más hacia delante para aumentar la velocidad de avance.

B. Arranque del cortacésped

1. Apriete el control de la cuchilla contra el control de transmisión y tire del control de transmisión totalmente hacia atrás.
2. Tire de la manilla de la cuerda del motor de arranque para arrancar el motor.



C. Funcione del cortacésped

- Apriete el control de la cuchilla contra el control de transmisión.

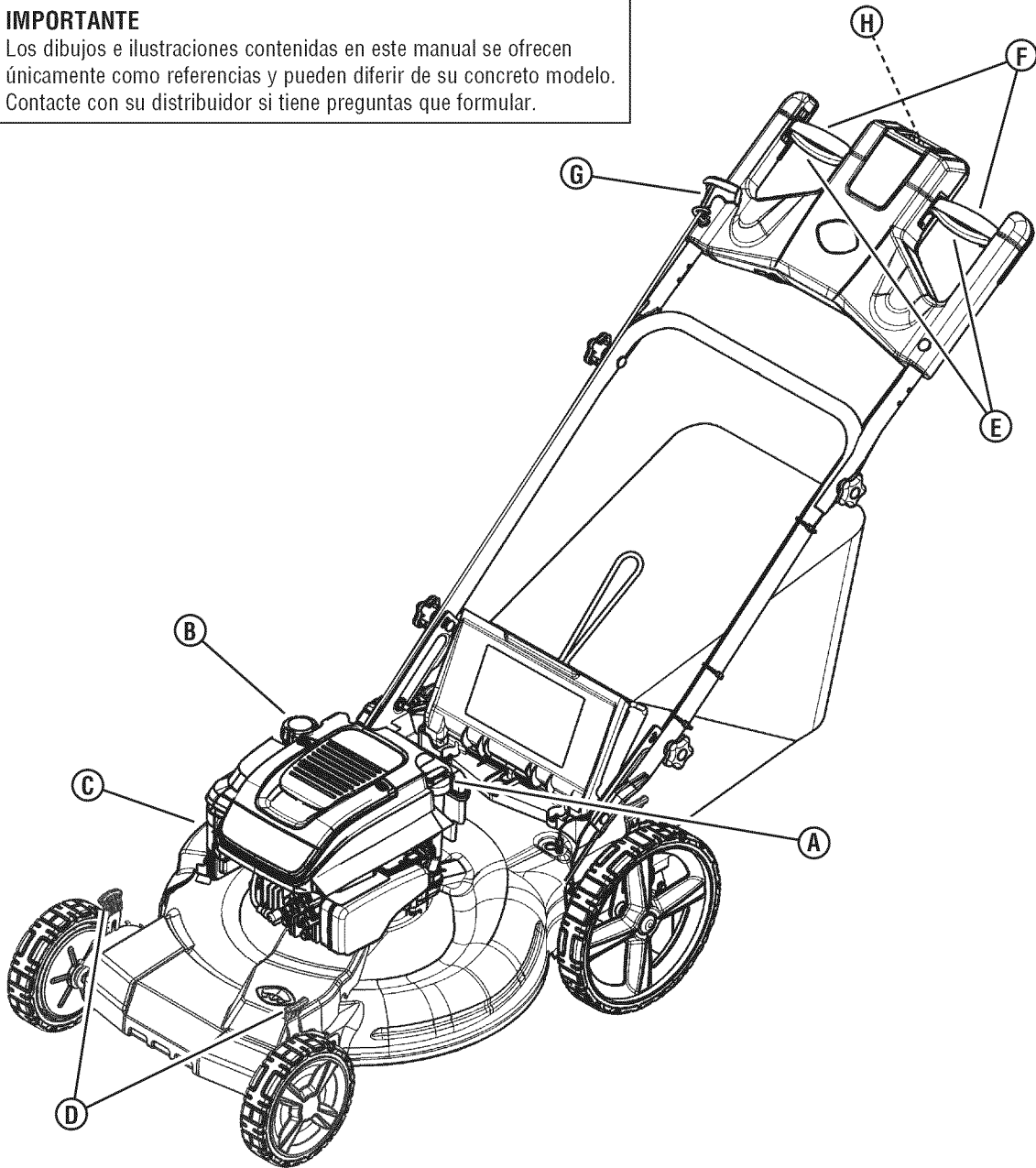
D. Detención del cortacésped

- Libere el control de la cuchilla.
- El motor se detendrá.

# Características y mandos

## IMPORTANTE

Los dibujos e ilustraciones contenidas en este manual se ofrecen únicamente como referencias y pueden diferir de su concreto modelo. Contacte con su distribuidor si tiene preguntas que formular.



- A. Tapa de llenado de aceite y varilla indicadora
- B. Tapa de relleno de combustible
- C. Tapa de la desmenuzadora
- D. Palanca de ajuste de altura de corte (en cada rueda)

- E. Control de cuchillas (2)
- F. Control de transmisión (2)
- G. Manilla de la cuerda del motor de arranque
- H. Recordatorio de mantenimiento



## Desembalaje del cortacésped

1. Corte las cuatro esquinas de la caja de arriba a abajo.
2. Quite todo el material de embalaje del cortacésped.
3. Localice e identifique todos los componentes incluidos con el cortacésped:
  - Tapón de cubrición (A, Figura 1 - instalado)
  - Bolsa para hierba (B)
  - Deflector de descarga lateral (C)
  - Manual del usuario (D)

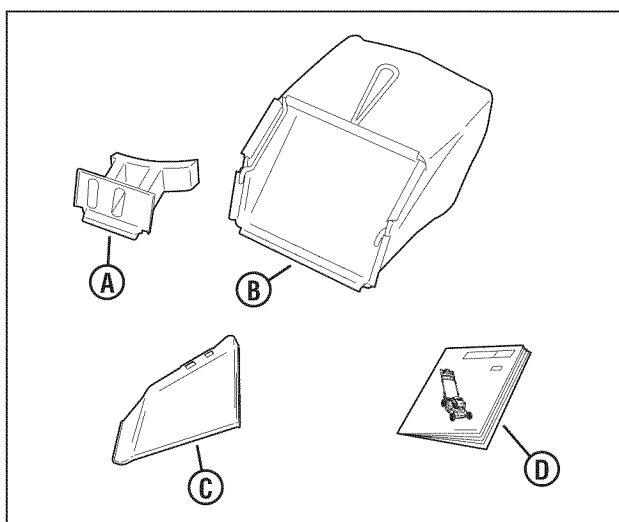


Figura 1: Componentes incluidos

## Levantamiento del conjunto de la manilla

1. Afloje, pero no quite, los nudos (A, Figura 2) de ambos lados de la manilla superior.
2. Desenvuelva la manilla superior de manera que quede alineada con la manilla inferior y apriete las perillas superiores.
3. Quite la perilla del manilla, las arandelas y los pernos de transporte del manilla inferior (B).
4. Levante el manilla inferior, alineándolo con uno de los tres juegos de orificios en la abrazadera. (La mayoría de los usuarios prefieren la posición intermedia). Vuelva a colocar los aditamentos que quitó en el Paso 3 y aprételos de un modo seguro.

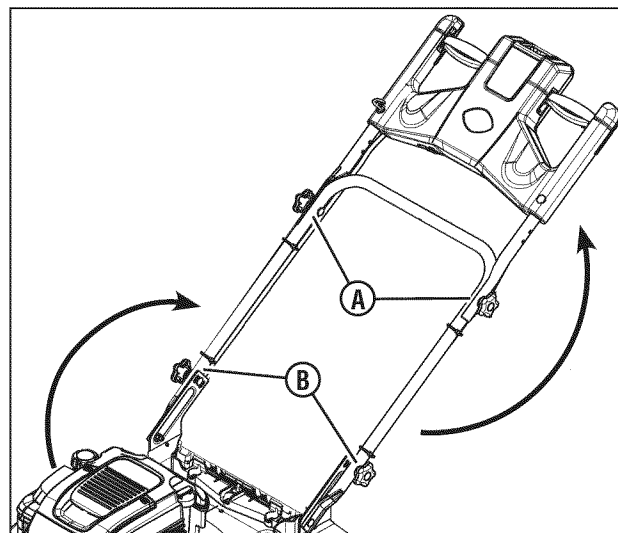


Figura 2: Levante el conjunto de la manilla

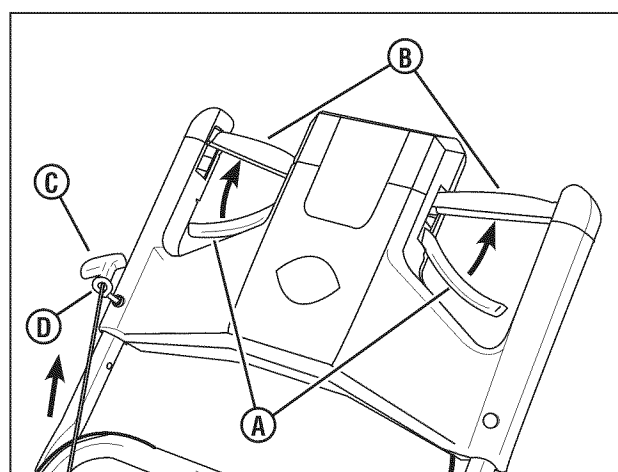


Figura 3: Manilla de la cuerda del motor de arranque

## Instalación de la manilla del motor de arranque de arranque

1. Apriete el control de la cuchilla (A, Figura 3) contra el control de transmisión (B).

**NOTA:** El control de la cuchilla y el control de transmisión pueden manejarse desde cualquier lado.

2. Tire de la manilla del motor de arranque (C) hacia fuera del motor hasta la guía para la cuerda (D). Enganche la cuerda del motor de arranque en la guía para la cuerda (debe quedar tensa).

# Operación

## Antes de empezar

1. Compruebe que todas las protecciones, los deflectores, la bolsa para la hierba y las cubiertas estén en su lugar y sujetas.
2. Revise el control de la cuchilla (A, Figura 4) y el control de transmisión (B) para asegurarse de que funcionan sin ningún tipo de obstrucción.

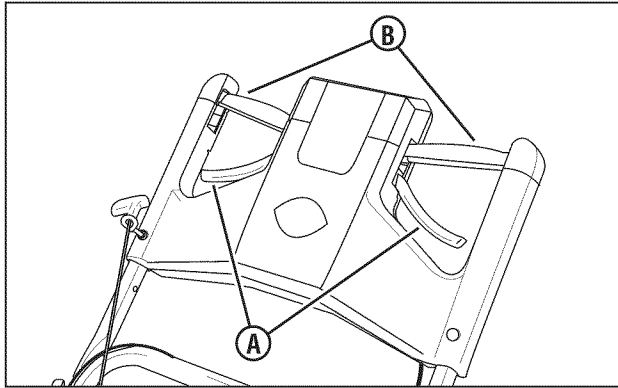


Figura 4: Controles del cortacésped

3. Revise la altura de corte. Ajuste la altura deseada. Consulte la sección titulada "Ajuste de altura de corte".
4. Compruebe el aceite del motor:
  - Asegúrese de que el cortacésped se encuentre en una superficie nivelada.
  - Limpie cualquier suciedad que exista en el área de llenado del aceite.
  - Saque la varilla de nivel de aceite (A, Figura 5) y límpiela con un paño limpio.
  - Inserte y apriete la varilla de nivel de aceite.
  - Saque la varilla y compruebe el nivel del aceite. Debe estar en la parte superior del indicador de lleno (B) de la varilla.
  - Si el nivel es bajo, añada aceite (se recomienda aceite para cortacéspedes SAE30 con certificado de garantía Briggs & Stratton SAE30) lentamente al depósito del aceite del motor. **No llene el depósito en exceso.** Después de añadir aceite, espere un minuto y luego vuelva a revisar el nivel de aceite.
  - Vuelva a meter y apriete la varilla de nivel de aceite.

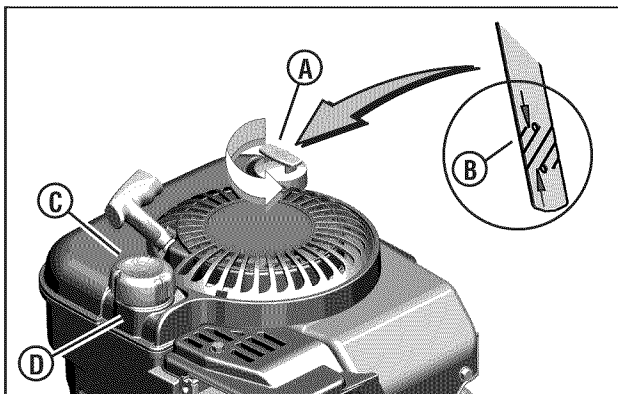


Figura 5: Llenado de aceite y combustible

**IMPORTANTE** El cortacésped se envía sin aceite en el motor. Si no añade aceite antes de arrancar el motor, el motor resultará dañado.

5. Añada combustible al depósito:
  - Asegúrese de que el cortacésped esté al aire libre, donde los humos puedan dispersarse de un modo seguro.
  - Retire la tapa del depósito de combustible (C, Figura 5).
  - Llene el depósito con combustible. Consulte la sección titulada "Recomendaciones sobre combustible". Para permitir que el combustible se expanda, no lleve el depósito por encima de la parte inferior del cuello del tanque de combustible (D).
  - Vuelva a instalar la tapa del tanque de combustible.
6. Limpie la acumulación de combustible derramado, suciedad, hierba, aceite, etc. que pueda haber en las superficies exteriores de la cubierta de corte y del motor. Mantenga la rejilla de entrada de aire del motor y las aletas de refrigeración limpias en todo momento.
7. Cambie la batería. Consulte la sección titulada "Carga de la batería".

## Recomendaciones sobre combustible

**El combustible debe cumplir estos requisitos:**

- Gasolina nueva y sin plomo con
- Un mínimo de 87 octanos/ 87AKI (90 RON).
- Se acepta el uso de gasolina con un máximo del 10% de etanol (gasohol) o un máximo del 15% de MTBE (acetato de metiliter de propilenglicol).
- **PRECAUCIONES:** NO utilice gasolinas no homologadas, como es el caso de E85. No haga mezclas con la gasolina ni realice modificaciones en el motor para hacerlo funcionar con otros combustibles. Hacer tal cosa dañaría los componentes del motor y **anularía la garantía del motor.**

El motor de este equipo está certificado para funcionar con gasolina. El sistema de control de emisiones para este motor es EM (Modificaciones de motores).

### Altitudes altas

A altitudes superiores a los 1524 metros (5.000 pies), es aceptable una gasolina de 85 octanos/85 AKI (89 RON). Para respetar los límites sobre emisiones, se necesitan realizar ajustes en el caso de altitudes altas. El funcionamiento sin este ajuste supondrá una pérdida de rendimiento, un mayor consumo de combustible y unas mayores emisiones.

No se recomienda hacer funcionar el motor con el kit para altitudes altas a altitudes inferiores a los 762 metros (2.500 pies).

### IMPORTANTE

Los dibujos e ilustraciones contenidas en este manual se ofrecen únicamente como referencias y pueden diferir de su concreto modelo. Contacte con su distribuidor si tiene preguntas que formular.

## Encendido del cortacésped

El motor de este cortacésped está equipado con un sistema ReadyStart®, que incorpora un estrangulador automático controlado por temperatura. No dispone de un estrangulador manual o un cebador.

1. Apriete el control de la cuchilla (**A, Figura 6**) contra el control de transmisión (**B**).
2. Tire del control de transmisión totalmente hacia atrás hasta llevarlo a la posición de punto muerto.

**NOTA:** El control de la cuchilla y el control de transmisión pueden manejarse desde cualquier lado.

3. Tire de la manilla de la cuerda del motor de arranque (**C**) para arrancar el motor.
4. Para detener el motor (y la cuchilla), libere el control de la cuchilla.
5. Después de que arranque el motor, espere un poco a que se caliente hasta que el motor funcione de manera suave antes de poner en funcionamiento el cortacésped.

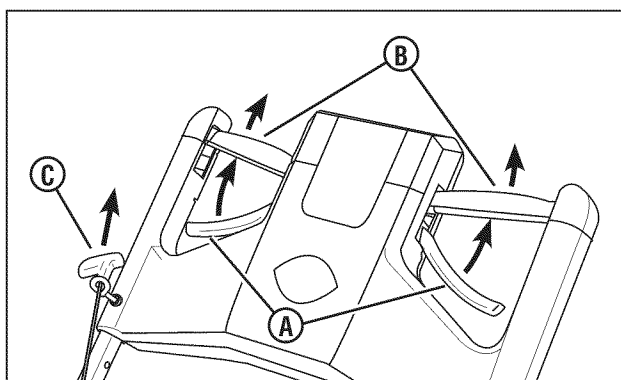


Figura 6: Arranque del cortacésped

## Propulsión del cortacésped

1. Arranque el motor.
2. Comience oprimiendo lentamente el control de transmisión (**A, Figura 7**) hacia delante para propulsar el cortacésped. La velocidad de desplazamiento puede aumentarse oprimiendo el control de transmisión más hacia delante.

**NOTA:** El control de transmisión puede manejarse desde cualquier lado.

**IMPORTANTE:** Después del uso inicial, es posible que necesite ajustarse el control de la transmisión. Consulte la sección titulada "Ajuste del control de la transmisión".

## Detención del cortacésped

1. Detenga el movimiento de avance del cortacésped tirando del control de transmisión totalmente hacia atrás.
2. Para detener el motor (y la cuchilla), libere el control de la cuchilla.

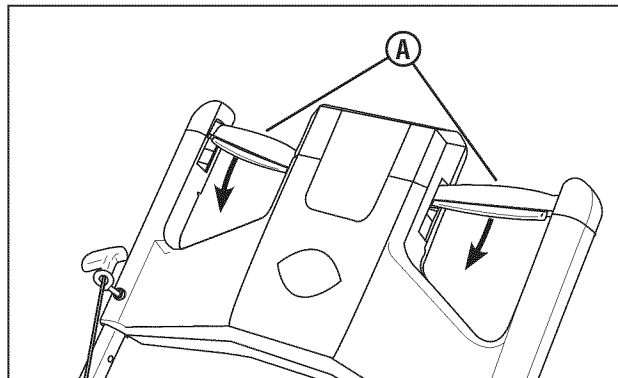


Figura 7: Propulsión del cortacésped

## Ajuste de altura del mango



### ADVERTENCIA



NO intente realizar ningún tipo de mantenimiento o ajuste con el motor y la cuchilla en funcionamiento. **DETENGA** el motor y la cuchilla. Quite la llave de acceso. Desconecte el cable de la bujía y manténgalo alejado de la bujía. El motor y los componentes están **CALIENTES**. Para evitar quemaduras graves, espere suficiente tiempo a que todos los componentes se enfríen.

Para que el usuario goce de una mayor comodidad, la altura del manilla del cortacésped puede ajustarse.

1. Quite la perilla del manilla, las arandelas y los pernos de transporte del manilla inferior (**A, Figura 8**).

**NOTA:** No retire el juego inferior de aditamentos del manilla (C).

2. Alinee el conjunto del manilla con uno de los tres agujeros de ajuste de altura del manilla (**B**).
3. Vuelva a colocar los aditamentos que quitó en el Paso 1 y aprételos de un modo seguro.

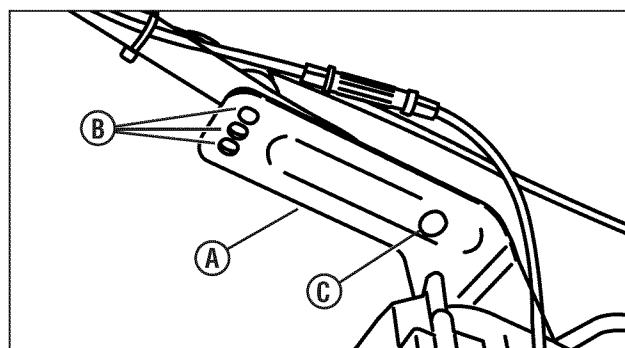


Figura 8: Ajuste de la altura del mango

## Operación

### Ajuste de altura de corte



#### ADVERTENCIA



NO intente realizar ningún tipo de mantenimiento o ajuste con el motor y la cuchilla en funcionamiento. DETENGA el motor y la cuchilla. Quite la llave de acceso. Desconecte el cable de la bujía y manténgalo alejado de la bujía. El motor y los componentes están CALIENTES. Para evitar quemaduras graves, espere suficiente tiempo a que todos los componentes se enfríen.

Tire de la palanca de ajuste de la altura de corte (**A, Figura 9**) hacia fuera y muévala hasta la altura de corte deseada. La posición de corte más alta es la Muesca 9 (**Figura 10**). Verifique que cada palanca de ajuste está en la misma posición de modo que el cortacésped cortará de manera nivelada.

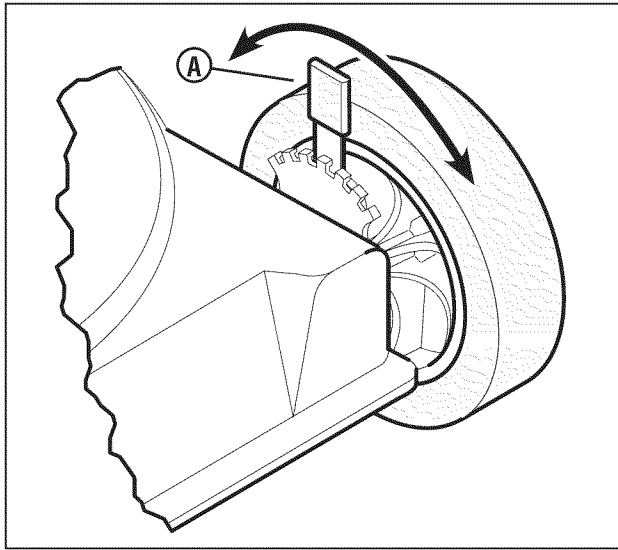


Figura 9: Ajuste de altura de corte

### Funcionamiento de la desmenzadora

Para obtener los mejores resultados de la desmenzadora, corte hasta un máximo de 1/3 de la altura de la hierba y recicle SÓLO cuando la hierba esté seca.

1. Asegúrese de que el deflector de descarga y la bolsa para hierba estén quitados y que el tapón de cubrición de suelos esté instalado.
2. Fije la palanca de ajuste de la altura de corte en la posición de corte más alta (Muesca 9).
3. Comience a cortar el césped lentamente. Baje gradualmente la altura de corte para obtener la mejor combinación de rendimiento de corte y triturado. Si corta demasiada hierba en una pasada, o corta césped muy húmedo, la cubierta del cortacésped puede atascarse.

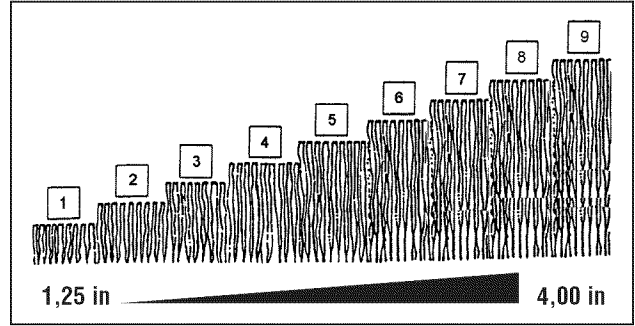


Figura 10: Valores de altura de corte (aproximados)

### Instalación del deflector de descarga



#### ADVERTENCIA



NO intente realizar ningún tipo de mantenimiento o ajuste con el motor y la cuchilla en funcionamiento. DETENGA el motor y la cuchilla. Quite la llave de acceso. Desconecte el cable de la bujía y manténgalo alejado de la bujía. El motor y los componentes están CALIENTES. Para evitar quemaduras graves, espere suficiente tiempo a que todos los componentes se enfríen.

1. Levante la tapa del desmenzador (**A, Figura 11**).
2. Instale el deflector (**B**) en la cubierta debajo de la cubierta de la desmenzadora, asegurándose de que las lengüetas de bloqueo de la cubierta (**C**) pasen por las ranuras del deflector (**B**).
3. Baje la tapa de la trituradora contra el deflector.

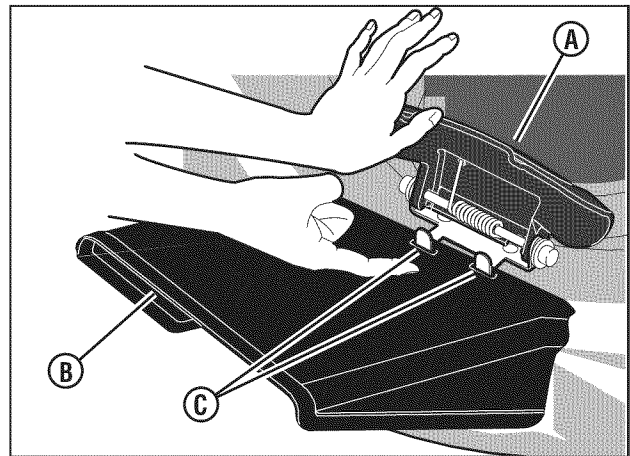


Figura 11: Instalación del deflector de descarga

## Instalación de la bolsa de césped



### ADVERTENCIA



NO intente realizar ningún tipo de mantenimiento o ajuste con el motor y la cuchilla en funcionamiento. DETENGA el motor y la cuchilla. Quite la llave de acceso. Desconecte el cable de la bujía y manténgalo alejado de la bujía. El motor y los componentes están CALIENTES. Para evitar quemaduras graves, espere suficiente tiempo a que todos los componentes se enfríen.

**Importante:** El tapón de cubrición de suelos debe quitarse únicamente cuando se desee la aspiración del césped para meterlo en la bolsa y debe volver a colocarse tan pronto como finalice esta operación.

1. Levante la puerta de descarga posterior (A, Figura 12).
2. Quite el tapón de cubrición de suelos (B) del conducto de descarga trasero.

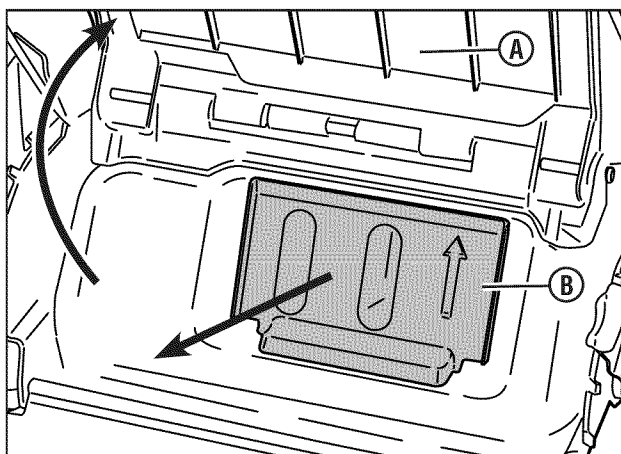


Figura 12: Extracción del tapón de cubrición

3. Agarrando el mango de la bolsa para hierba (A, Figura 13), instale la bolsa para hierba en el cortacésped asegurándose de que los ganchos de la bolsa (B) estén enganchados en la varilla del eje de la puerta posterior (C).

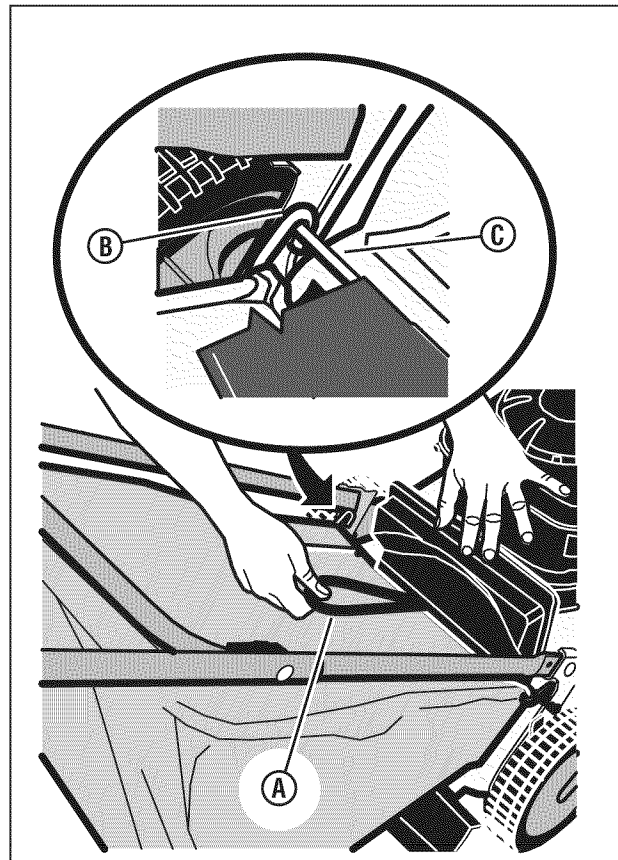


Figura 13: Instalación de la bolsa de césped



### ADVERTENCIA



Las bolsas del receptor de césped están fabricadas con tela tejida y están sometidas al deterioro y el desgaste durante su uso normal. Revise el estado de la bolsa antes de usarla. Sustituya inmediatamente las bolsas del receptor que estén desgastadas o dañadas con bolsas exclusivamente recomendadas por el fabricante. El receptor de césped es un equipo opcional en algunos modelos.

# Operación

## Recordatorio de mantenimiento

El recordatorio de mantenimiento (**A, Figura 14**) le recuerda en el momento justo cuándo debe realizar operaciones de mantenimiento importante. Dispone de seis modos de visualización:

### Horas totales

Muestra las horas totales que ha trabajado el cortacésped. Ésta es la pantalla predeterminada.

### Horas de desactivación

Para visualizar:

Presione el botón "Modo" (**B**) hasta que aparezca la pantalla "Horas de desactivación".

Para restablecer:

Presione y mantenga presionado el botón "Restablecer" (**C**) durante más de 3 segundos.

### Reloj

Para visualizar:

Presione el botón "Modo" hasta que aparezca la pantalla "Reloj".

Para ajustar:

1. Presione y mantenga presionado el botón "Modo" (**C**) durante más de 3 segundos. La pantalla de la hora parpadeará.
2. Presione el botón "Restablecer" para ajustar la hora correcta.
3. Presione el botón "Modo". La pantalla de los minutos parpadeará.
4. Presione el botón "Restablecer" para ajustar los minutos correctos.
5. Presione y mantenga presionado el botón "Modo" durante más de 3 segundos para guardar el tiempo ajustado.

### Cambiar el aceite

El icono "Cambiar el aceite" (**D**) aparecerá después de las primeras 5 horas (horas totales) de funcionamiento y después cada 25 horas de funcionamiento. Esto indica que es el momento de cambiar el aceite. Asegúrese de seguir los procedimientos descritos en este manual.

Para restablecer:

1. Presione el botón "Modo" hasta que aparezca la pantalla "Cambiar aceite". (El icono parpadeará.)
2. Presione y mantenga presionado el botón "Restablecer" durante más de 3 segundos.

*NOTA:* Si no se restablece, el icono "Cambiar aceite" desaparecerá automáticamente después de 3 horas de funcionamiento.

### Bujía

El icono "Bujía" (**E**) aparecerá cada 50 horas (horas totales) de funcionamiento. Esto indica que es el momento de cambiar la bujía. Asegúrese de seguir los procedimientos descritos en este manual.

Para restablecer:

1. Presione el botón "Modo" hasta que aparezca la pantalla "Bujía". (El icono parpadeará.)
2. Presione y mantenga presionado el botón "Restablecer" durante más de 3 segundos.

*NOTA:* Si no se restablece, el icono "Bujía" desaparecerá automáticamente después de 3 horas de funcionamiento.

### Filtro de aire

El icono "Filtro del aire" (**F**) aparecerá cada 50 horas (horas totales) de funcionamiento. Esto indica que es el momento de cambiar el filtro del aire. Asegúrese de seguir los procedimientos descritos en este manual.

Para restablecer:

1. Presione el botón "Modo" hasta que aparezca la pantalla "Filtro de aire". (El icono parpadeará.)
2. Presione y mantenga presionado el botón "Restablecer" durante más de 3 segundos.

*NOTA:* Si no se restablece, el icono "Filtro del aire" desaparecerá automáticamente después de 3 horas de funcionamiento.

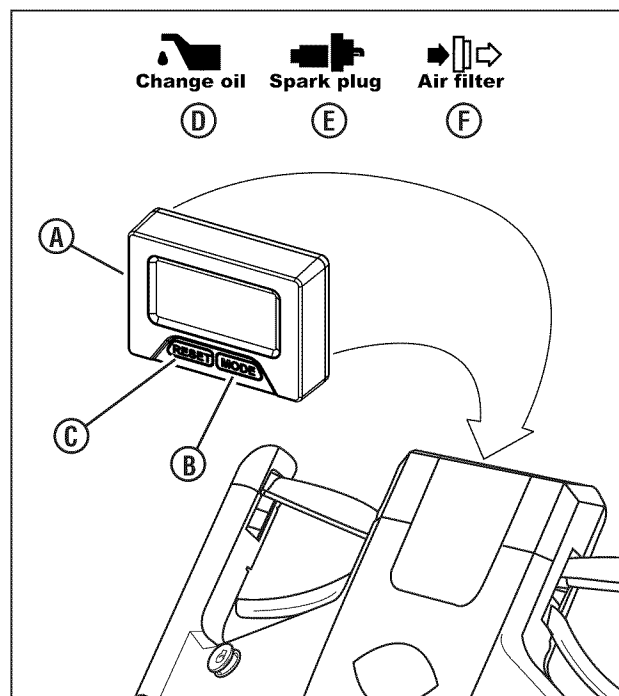


Figura 14: Recordatorio de mantenimiento

## Tabla de mantenimiento

 <b>ADVERTENCIA</b> 
<p>NO intente realizar ningún tipo de mantenimiento o ajuste con el motor y la cuchilla en funcionamiento. DETENGA el motor y la cuchilla. Quite la llave de acceso. Desconecte el cable de la bujía y manténgalo alejado de la bujía. El motor y los componentes están CALIENTES. Para evitar quemaduras graves, espere suficiente tiempo a que todos los componentes se enfríen. Lleve guantes de piel gruesos cuando manipule o trabaje cerca de las cuchillas. Las cuchillas están extremadamente afiladas y pueden ocasionar heridas graves.</p>

CORTACÉSPED
<b>Cada 8 horas o diariamente</b>
Revisar el sistema de bloqueo de seguridad
Limpiar los desechos del cortacésped
<b>Cada 25 horas o anualmente *</b>
Revisar cortacésped por si tuviesen piezas sueltas
<b>Consulte al distribuidor cada año para</b>
Lubricar el cortacésped
Revisar la cuchilla del cortacésped **
Comprobar el tiempo de detención de las cuchillas de la segadora
Revisar la correa de transmisión

\* Lo que ocurra en primer lugar

\*\*Revise la cuchilla más a menudo en regiones que tengan suelos arenosos y en condiciones en las que exista mucho polvo.

## Control de emisiones

Cualquier establecimiento de reparación de motores que no esté en el camino o cualquier individuo pueden realizar el mantenimiento, reemplazo o reparación de los dispositivos y sistemas de control de emisiones. Sin embargo, para conseguir un servicio de control de emisiones "sin costo", un distribuidor autorizado de fábrica debe realizar el trabajo. Consulte la garantía sobre emisiones.

MOTOR
<b>Primeras 5 horas</b>
Cambiar el aceite del motor
<b>Cada 8 horas o diariamente</b>
Comprobar el nivel de aceite del motor
<b>Cada 25 horas o anualmente *</b>
Limpiar el filtro y el depurador de aire del motor (si lo tiene) **
<b>Cada 50 horas o anualmente *</b>
Cambiar el aceite del motor
Reemplazar el filtro de aceite (si lo tiene)
<b>Anualmente</b>
Sustituir el filtro de aire
Reemplazar el filtro de aceite (si lo tiene)
<b>Consulte al distribuidor cada año para</b>
Inspeccionar el silenciador y la pantalla antichispas (si lo tiene)
Sustituir la bujía
Reemplazar el filtro del combustible (si lo tiene)
Limpiar el sistema de refrigeración de aire del motor

\* Lo que ocurra en primer lugar

\*\*En condiciones en las que exista polvo o suciedad en forma de partículas en suspensión, limpiar más a menudo.

## Mantenimiento

### Cambiar el aceite del motor



#### ADVERTENCIA



NO intente realizar ningún tipo de mantenimiento o ajuste con el motor y la cuchilla en funcionamiento. DETENGA el motor y la cuchilla. Quite la llave de acceso. Desconecte el cable de la bujía y manténgalo alejado de la bujía. El motor y los componentes están CALIENTES. Para evitar quemaduras graves, espere suficiente tiempo a que todos los componentes se enfríen.

1. Drene completamente el tanque de combustible.
2. Saque la varilla del aceite (**A, Figura 15**) y luego incline el cortacésped sobre su lado. Espere a que el aceite salga del tubo del aceite y se vierta sobre un contenedor apropiado. Deshágase del aceite usado correctamente.
3. Coloque recto el cortacésped y llene el motor con aceite para motor hasta la marca que indica 'lleno' de la varilla. Se recomienda usar aceite para cortacésped SAE30 con certificado de garantía Briggs & Stratton. **No llene el depósito en exceso.**

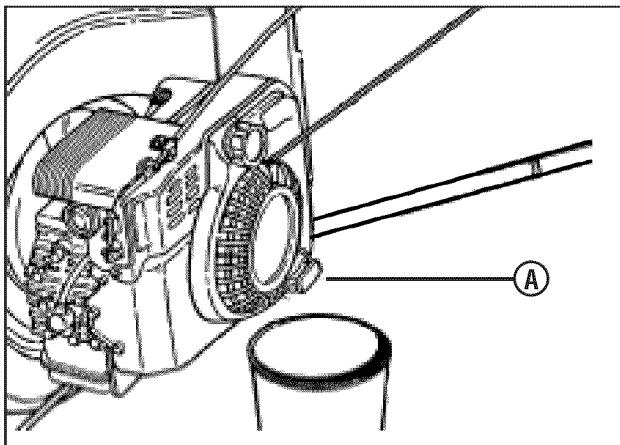


Figura 15: Drenaje del aceite del motor

### Haga el mantenimiento del filtro de aire



#### ADVERTENCIA



Nunca arranque o haga funcionar el motor con el conjunto del filtro de aire (si lo tiene) o el filtro de aire (si lo tiene) quitados.

Consulte el Manual del propietario del motor para ver las instrucciones de mantenimiento del filtro de aceite.



## Revisar el sistema de bloqueo de seguridad

1. Arranque el cortacésped.
2. Libere el control de la cuchilla. **El motor debe detenerse en 3 segundos.**

Si el motor no se detiene, **no utilice el cortacésped**. Lleve el cortacésped a un centro de servicio técnico autorizado para realizar en él operaciones de mantenimiento y reparación.

## Limpieza de los desechos del cortacésped



### ADVERTENCIA



NO intente realizar ningún tipo de mantenimiento o ajuste con el motor y la cuchilla en funcionamiento. **DETENGA** el motor y la cuchilla. Quite la llave de acceso. Desconecte el cable de la bujía y manténgalo alejado de la bujía. El motor y los componentes están **CALIENTES**. Para evitar quemaduras graves, espere suficiente tiempo a que todos los componentes se enfríen. Lleve guantes de piel gruesos cuando manipule o trabaje cerca de las cuchillas. Las cuchillas están extremadamente afiladas y pueden ocasionar heridas graves.

1. Elimine la suciedad y posibles desechos de la parte superior de la cubierta del cortacésped.
2. Limpie cualquier acumulación de suciedad que haya en o alrededor del motor, etc.

Mientras realiza la limpieza, revise los componentes por si estuviesen desgastados o dañados. Sustituya inmediatamente los componentes gastados o dañados.

## Puerto de deslave



### ADVERTENCIA



- Use una protección ocular adecuada.
- Mantenga a las personas y los animales domésticos lejos de la zona de trabajo.
- Manténgase detrás del mango mientras el motor esté funcionando.
- No intente realizar operaciones de corte mientras se usa el puerto de deslave.
- No intente mirar o tocar la parte inferior de la cubierta del cortacésped bajo ninguna circunstancia mientras se usa el puerto de deslave. Pueden producirse lesiones graves.

El puerto de deslave le permite limpiar la parte inferior de la cubierta del cortacésped. Para usar el puerto de deslave:

1. Asegúrese de que la bolsa para hierba y el deflector de descarga lateral estén quitados.
2. Ajuste la altura de corte hasta la posición más baja.
3. Mueva el cortacésped hasta una superficie nivelada y pavimentada.
4. Detenga el motor.

5. Conecte el extremo macho de una manguera estándar con el conector del puerto de deslave (**A, Figura 16**).
6. Sitúe en posición ON el suministro de agua para la manguera.
7. Arranque el motor y deje que funcione hasta que no salga más suciedad de debajo de la cubierta del cortacésped.
8. Detenga el motor.
9. Sitúe en posición OFF el suministro de agua para la manguera.
10. Desconecte la manguera del conector del puerto de deslave.
11. Arranque el motor y deje que funcione durante 2-3 minutos para permitir que se seque la parte inferior de la cubierta del cortacésped.

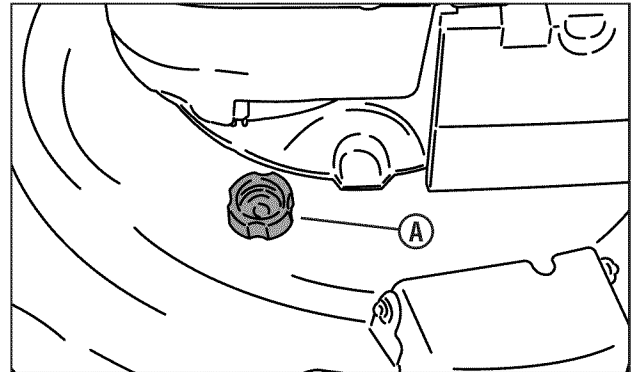


Figura 16: Puerto de deslave

# Mantenimiento

## Ajuste del control de la transmisión



### ADVERTENCIA



NO intente realizar ningún tipo de mantenimiento o ajuste con el motor y la cuchilla en funcionamiento. DETENGA el motor y la cuchilla. Quite la llave de acceso. Desconecte el cable de la bujía y manténgalo alejado de la bujía. El motor y los componentes están CALIENTES. Para evitar quemaduras graves, espere suficiente tiempo a que todos los componentes se enfríen.

El control de la transmisión (**A, Figura 17**) debe acoplar la transmisión cuando el control se empuje hacia delante y debe desacoplar la transmisión cuando se tire de él totalmente hacia atrás.

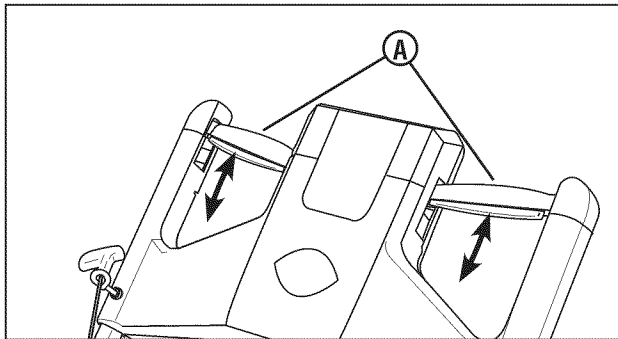


Figura 17: Control de transmisión

Si la transmisión no se acopla o desacopla, puede ajustarse de la siguiente manera:

- Si la transmisión no se acopla, gire el tensor (**A, Figura 18**) media vuelta para sacar las férulas (**B**) del tensor. Revise y repita esta operación cuantas veces sea necesaria.
- Si la transmisión no se desacopla, gire el tensor media vuelta para meter las férulas en el tensor. Revise y repita esta operación cuantas veces sea necesaria.

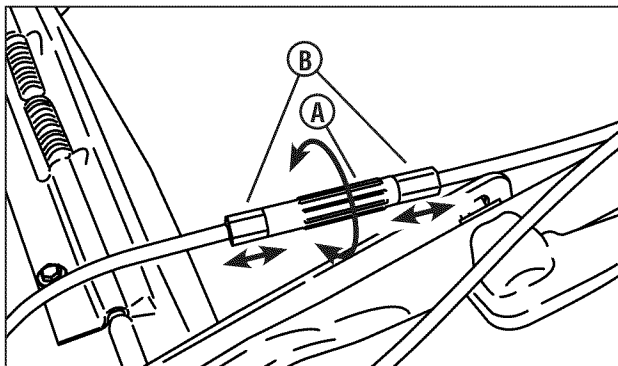


Figura 18: Ajuste del cable de guiado

**Precaución:** Un ajuste incorrecto puede ocasionar el desgaste prematuro y/o daños en los componentes de las rudas motrices.

## Procedimiento de almacenamiento



### ADVERTENCIA



NO intente realizar ningún tipo de mantenimiento o ajuste con el motor y la cuchilla en funcionamiento. DETENGA el motor y la cuchilla. Quite la llave de acceso. Desconecte el cable de la bujía y manténgalo alejado de la bujía. El motor y los componentes están CALIENTES. Para evitar quemaduras graves, espere suficiente tiempo a que todos los componentes se enfríen. Lleve guantes de piel gruesos cuando manipule o trabaje cerca de las cuchillas. Las cuchillas están extremadamente afiladas y pueden ocasionar heridas graves.

Prepare el cortacésped para su almacenamiento de "fin de temporada" de la siguiente manera:

1. Desconecte el cable de la bujía y manténgalo alejado de la bujía.
2. Drene el tanque de combustible y deje que el motor funcione hasta que el carburador se vacíe de combustible.

**NOTA:** Si se utiliza un estabilizador de combustible, no es necesario drenar el tanque de combustible. Consulte la sección titulada "Sistema del combustible".

3. Use un cepillo o aire comprimido para quitar la suciedad que quede suelta y luego use un paño humedecido para limpiar la unidad.
4. Inclíne el cortacésped hacia arriba sobre sus ruedas traseras e inspeccione la parte inferior de la cubierta. (No incline el cortacésped con la bujía o el carburador hacia abajo.) Rasque las incrustaciones de hierba más difíciles de limpiar con una espátula y/o un cepillo de alambre.
5. Lubrique todo el metal expuesto con una capa delgada de aceite para impedir la corrosión.
6. Doble cuidadosamente los mangos, flexionando los cables de control para impedir que el cable resulte dañado.
7. Almacene el cortacésped en un cobertizo u otra área seca que esté protegido contra las inclemencias del tiempo.

### Sistema de combustible

El combustible puede deteriorarse si se almacena durante más de 30 días. El combustible deteriorado hace que se creen depósitos de ácidos y resina en el sistema de combustible o en componentes esenciales del carburador. Para mantener el combustible en buenas condiciones, use el estabilizador de combustible FRESH START® de Briggs & Stratton, disponible como aditivo líquido o en forma de cartucho concentrado por goteo.

No es necesario drenar la gasolina del motor si se añade un estabilizador de combustible de acuerdo con las instrucciones. Haga funcionar el motor durante 2 minutos para que el estabilizador circule por el sistema de combustible. De este modo, el motor y el combustible pueden almacenarse hasta 24 meses.

Si la gasolina del motor no se ha tratado con un estabilizador de combustible, debe drenarse en un contenedor aprobado para tal fin. Haga funcionar el motor hasta que se detenga debido a la falta de combustible. Es recomendable usar un estabilizador de combustible en el contenedor de almacenamiento para mantener el combustible en buen estado.

## Solución de problemas

PROBLEMA	CAUSA PROBABLE	ACCIÓN CORRECTIVA
El motor no arranca	1. El tanque de combustible está vacío.	1. Llene el depósito de combustible reciente.
	2. El cable de la bujía está desconectado.	2. Conecte el cable de la bujía en la bujía.
El motor se para o pierde fuerza tras comenzar a funcionar	1. Se ha soltado el control de la cuchilla o no está bien sujeto en el control de la transmisión.	1. El control de la cuchilla debe sujetarse de manera segura en el control de la transmisión en todo momento durante el funcionamiento.
	2. El tanque de combustible está vacío.	2. Llene con combustible hasta el nivel correcto.
	3. El depurador del motor y/o filtro de aire están sucios.	3. Limpie o sustituya el depurador y/o filtro del aire.
	4. La bujía está dañada o mal colocada.	4. Repare la bujía defectuosa.
	5. El sistema de combustible contiene agua, suciedad o combustible en mal estado.	5. Drene y limpie el sistema de combustible.
Vibraciones excesivas	1. Dañado, sin equilibrio o cuchilla del cortacésped doblada.	1. Póngase en contacto con un distribuidor autorizado.
	2. Los componentes de la cuchilla están sueltos.	2. Póngase en contacto con un distribuidor autorizado.
	3. Elevador por aire (si se tiene) suelto o falta.	3. Póngase en contacto con un distribuidor autorizado.
	4. La cinta está llena o deshilachada.	4. Póngase en contacto con un distribuidor autorizado.
El cortacésped no se mueve/pérdida de tracción	1. Acumulación de suciedad en o alrededor de los componentes de impulsión.	1. Limpie los desechos.
	2. Se necesita ajustar el cable de transmisión.	2. Ajuste el cable de transmisión.
	3. Se necesita reemplazar la correa de transmisión.	3. Póngase en contacto con un distribuidor autorizado.
	4. La transmisión está dañada.	4. Póngase en contacto con un distribuidor autorizado.
La hierba no se corta correctamente	1. La altura de corte es demasiado alta o baja.	1. Ajuste la altura de corte.
	2. La velocidad de avance es demasiado rápida.	2. Ajústela con una velocidad más lenta.
	3. Cuchilla de corte desafilada o dañada.	3. Póngase en contacto con un distribuidor autorizado.
Descarga de hierba insuficiente	1. La velocidad de avance es demasiado rápida.	1. Ajústela con una velocidad más lenta.
	2. La hierba está húmeda.	2. Córtela cuando esté seca.
	3. Cuchilla de corte demasiado desgastada o dañada.	3. Póngase en contacto con un distribuidor autorizado.
	4. Acumulación de hierba cortada y suciedad debajo de la cubierta.	4. Limpie la plataforma.
	5. Cuchilla instalada de manera incorrecta en la cubierta.	5. Póngase en contacto con un distribuidor autorizado.
	6. Cuchilla instalada de manera incorrecta en la cubierta.	6. Póngase en contacto con un distribuidor autorizado.
Pérdida de aceite	1. La varilla de medir el aceite está suelta.	1. Asegúrese de que la varilla del aceite/tapa del tanque de aceite esté sujeta de manera segura en su lugar.
	2. El tapón de desagüe está suelto.	2. Revise y apriete el tapón de desagüe.
	3. Ha rebosado el nivel del aceite.	3. Drene el exceso de lubricante.
	4. Los sellados de aceite están dañados.	4. Póngase en contacto con un distribuidor autorizado.

## BRIGGS & STRATTON POWER PRODUCTS GROUP, L.L.C. PÓLIZA DE GARANTÍA DEL PROPIETARIO

### GARANTÍA LIMITADA

Briggs & Stratton Power Products Group, LLC reparará y/o reemplazará, sin cargo, cualquier pieza del equipo que esté defectuosa en material o fabricación o ambos. Briggs & Stratton Corporation reparará y/o reemplazará, sin cargo, cualquier pieza del motor\* de Briggs and Stratton (si está equipado con éste) que esté defectuosa en material o fabricación o ambos. El comprador debe cubrir los gastos de transporte del producto que se envíe para reparación o reemplazo según esta garantía. Esta garantía está en vigencia por los períodos y sujeta a las condiciones que se establecen más adelante. Para el servicio de garantía, busque el distribuidor de servicio autorizado más cercano usando el mapa localizador de distribuidores en [www.BriggsandStratton.com](http://www.BriggsandStratton.com) o [www.Snapper.com](http://www.Snapper.com).

No existe otra garantía expresa. Las garantías implícitas, inclusive aquellas de comerciabilidad y de idoneidad para un propósito en particular se limitan a un año a partir de la fecha de compra o hasta los límites permitidos por la ley. La responsabilidad por daños directos o emergentes está excluida según lo permita la ley.

Algunos estados o países no permiten limitaciones sobre la duración de una garantía implícita y algunos estados o países no permiten la exclusión o limitación de daños directos o indirectos, por lo que puede que la limitación y exclusión anterior no se aplique a usted. Esta garantía le otorga derechos legales específicos y también podría ejercer otros derechos que varían según el estado o el país.

### PERÍODO DE LA GARANTÍA

Elemento	Uso de consumo	Uso comercial:
Equipo	2 años	90 días
Motor*	2 años	90 días
Batería	1 año	1 año

El período de garantía comienza en la fecha de compra por el primer usuario final de consumo minorista o comercial, y continúa durante el período de tiempo que se indica anteriormente. "Uso de consumo" significa uso doméstico residencial personal por un consumidor minorista. "Uso comercial" significa todos los otros usos, lo que incluye el uso para propósitos comerciales, generar ingresos o alquiler. Una vez que el producto se haya usado para fines comerciales, de ahí en adelante se considerará como para uso comercial a efectos de esta garantía.

No es necesario registrar la garantía para obtener el servicio de garantía para productos Briggs & Stratton. Guarde el recibo del comprobante de la compra. Si no proporciona un comprobante de la fecha de compra inicial en el momento en que se solicite el servicio de garantía, se usará la fecha de fabricación del producto se usará para determinar si tiene derecho a la garantía.

### ACERCA DE LA GARANTÍA

Aceptamos las reparaciones por el servicio de garantía y nos disculpamos por las molestias. El servicio de garantía se encuentra disponible solamente a través de concesionarios de servicio autorizados por Briggs & Stratton o BSPPG, LLC.

La mayoría de las reparaciones por el servicio de garantía se gestionan de manera rutinaria, aunque en ocasiones puede que las solicitudes de servicio de garantía no sean adecuadas. Esta garantía solamente cubre defectos de material o fabricación. No cubre los daños ocasionados por un uso incorrecto o un mal uso, un mantenimiento o unas reparaciones inadecuadas, el desgaste y la rotura propios del uso, o el uso de un combustible en mal estado o no aprobado.

**Uso no adecuado y mal uso** - El uso correcto y para el que se ha concebido este equipo se describe en el manual del usuario. Si el producto no se usa de la manera que se describe en el manual del usuario o si el producto se usa después de que haya resultado dañado, quedará anulada la garantía. La garantía queda anulada si se ha borrado el número de serie del producto o el producto ha sido modificado de alguna manera, o si el producto presenta indicios de haber sido usado incorrectamente, por ejemplo, daños producidos por un impacto, o daños producidos por corrosión química/agua.

**Reparación o mantenimiento incorrectos** - Este producto debe mantenerse de acuerdo con los procedimientos y el calendario que se proporcionan en el manual del usuario, y debe ser reparado usando para ello piezas originales de Briggs & Stratton. La garantía no cubre los daños ocasionados por la falta de mantenimiento o el uso de piezas no originales.

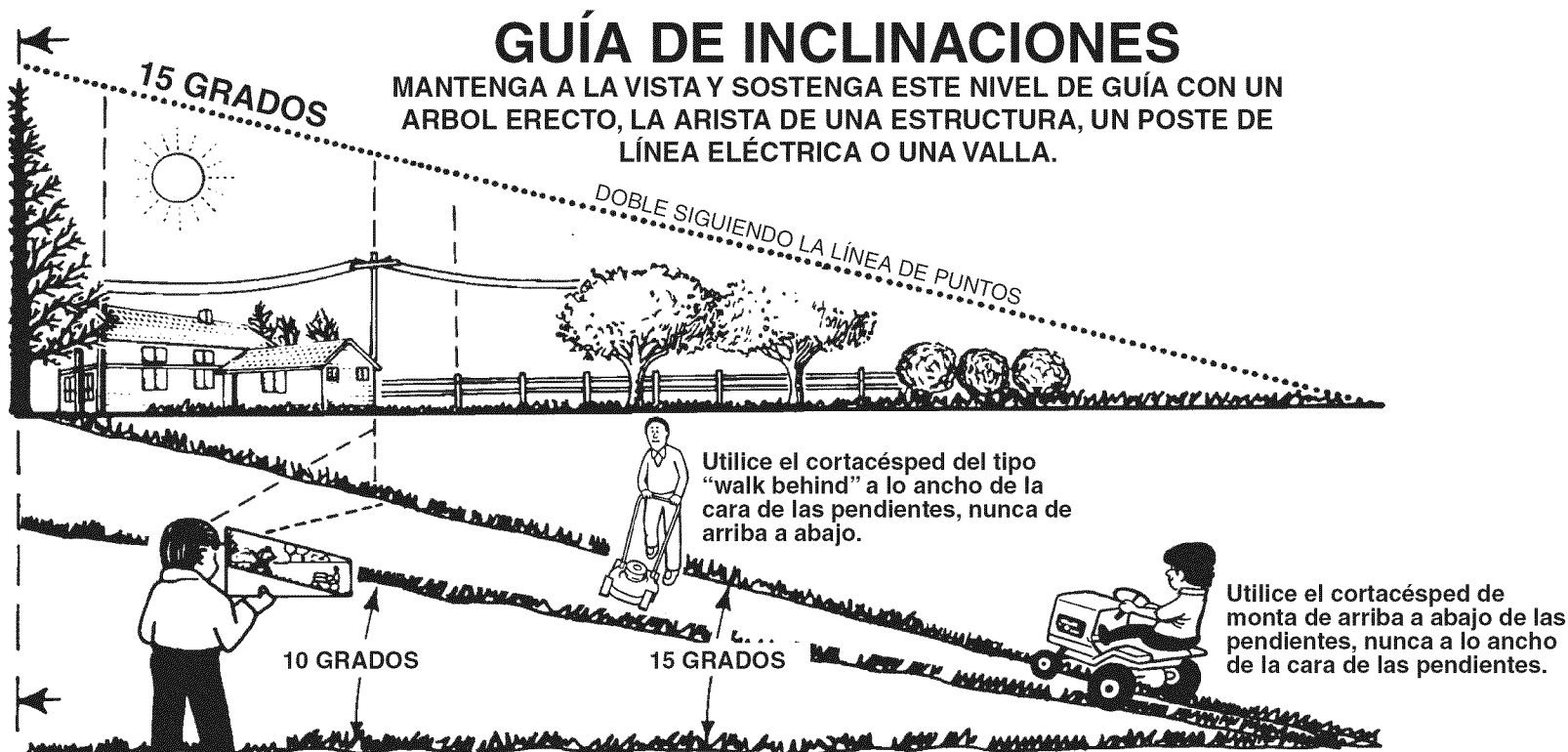
**Desgaste normal** - Como otros dispositivos mecánicos, su unidad está sujeta a un desgaste incluso si se realiza en ella un mantenimiento correcto. Esta garantía no cubre las reparaciones cuando el uso normal ha agotado la vida útil de una pieza o del equipo. Las piezas que sufren desgaste y que deben someterse a programas de mantenimiento tales como los filtros, la correas, las cuchillas de corte y las zapatas del freno (las zapatas del freno del motor están cubiertas por la garantía) no están cubiertas por la garantía debido a que únicamente pueden desgastarse, a menos que el origen del desgaste sean defectos en el material o en la fabricación.

**Combustible en mal estado** - Para que este producto funciona correctamente, se necesita combustible fresco (reciente) que cumpla los criterios especificados en el manual del usuario. Los daños ocasionados por el combustible viejo (en mal estado), como fugas en el carburador, tubos de combustible obstruidos, válvulas obstruidas, etc. no están cubiertos por la garantía.

\* Esto sólo se aplica a los motores de Briggs and Stratton. La cobertura de la garantía de los motores no fabricados por Briggs and Stratton la ofrece el fabricante del motor.







En un cortacésped de monte, para determinar si una pendiente puede ser cortada con seguridad: (1) desacople la(s) cuchilla(s), (2) ponga la unidad en sentido contrario, y (3) intente retroceder pendiente arriba. Si Vd. puede remontar la pendiente, será por lo general seguro cortar la hierba. Sin embargo, si no se siente completamente seguro, siga esta guía y no corte la hierba en pendientes cuya inclinación sea mayor de 15 grados. Si el cortacésped de monte se utiliza con un accesorio montado "pull-behind" o posterior, no utilice la unidad en pendientes cuya inclinación sea superior a 10 grados.

Una pendiente de 15% grados es la propia de una colina que incrementa su altura en aproximadamente 0,8 m cada 3 m (2,5 pies cada 10 pies). Una pendiente de 10% grados es la propia de una colina que incrementa su altura en aproximadamente 0,5 m cada 3 m (1,7 pies cada 10 pies).



Emplee la mayor precaución en todo momento y evite giros y maniobras bruscas. Siga el resto de instrucciones de este manual en pro de la seguridad cuando corte la hierba en pendientes. Utilice el cortacésped de monte de arriba a abajo de la pendiente y nunca a lo ancho de su cara. Utilice el cortacésped del tipo "walk-behind" a lo ancho de la cara de las pendientes, nunca de arriba a abajo de ésta. Emplee una precaución especial cuando trabaje en pendientes u obturaciones, o cerca de ellas.

# SNAPPER®

---

## Especificaciones

### Cortacésped

Dimensiones de la cubierta (pulg.)	22
Altura de corte (pulg.)	1,25 - 4
Tipo de transmisión	Velocidad/piñón variable
Velocidad de suelo (millas por hora)	0 - 4,2
Torsión de cuchilla (ft-lbs)	40

### Motor

Potencia del motor (ft-lbs)	7,00
Desplazamiento del motor (cc)	190
Capacidad del depósito de combustible (cuartos de galones)	1,0

## Componentes de mantenimiento general

### Cortacésped

Cuchilla del cortacésped	7103288
Correa de tracción	7103362

## Número de pieza

---

**Clasificación de Potencia:** La clasificación de potencia total para los modelos individuales de motores a gas se etiqueta de acuerdo con el código J1940 de SAE (Sociedad de Ingenieros Automotrices) (Procedimiento de Clasificación de Potencia & Torque del Motor Pequeño) y la clasificación de desempeño se ha obtenido y se ha corregido de acuerdo con SAE J1995 (Revisión 2002-05). Los valores de Torque se derivan a 3060 RPM; los valores de potencia se derivan a 3600 RPM. Los valores netos de potencia se toman con escape y filtro de aire instalado mientras que los valores de potencia total se recogen sin estos accesorios. La potencia total real del motor puede ser mayor que la potencia neta del motor y estar afectada por, entre otras cosas, condiciones ambientales de operación y variabilidad de motor a motor. Dado el amplio conjunto de productos en los cuales son puestos los motores, el motor a gas podría no desarrollar la potencia total nominal cuando sea usado en una parte dada del equipo acoplado. Esta diferencia se debe a una variedad de factores que incluyen, sin limitarse a, la variedad de componentes del motor (filtro de aire, sistema de escape, sistema de carga, sistema de enfriamiento, carburador, bomba de combustible, etc.), limitaciones de la aplicación, condiciones ambientales de operación (temperatura, humedad, altitud), y a la variabilidad de motor a motor. Debido a las limitaciones de fabricación y capacidad Briggs & Stratton puede sustituir un motor de potencia nominal más alta por esta Serie de motor.