



Installation Instructions

24-Inch Built-in Dishwasher

For use with models: EDW24S, MDW24S

Table of Contents

Important Safety Instructions	1	Installation Instructions	6
Important Information About Safety Instructions	1	Verify the Package Contents	6
Safety Symbols and Labels	1	Electrical Connection	7
General Safety Precautions	2	Plumbing Connections	8
Installation Specifications	3	Prepare Drain Cutout	8
Product Dimensions	3	Preparing the Dishwasher for Installation	8
Preparing the Location	4	Positioning the Unit in the Cabinet	10
Power Supply Requirements	4	Verifying Proper Operation	11
Plumbing Requirements	5	Securing the Dishwasher to the Cabinet and Counter ..	12
		Installation the Toe Kick	13
		Adjusting the Stainless Steel Trim Plates	13

Before You Begin...

Important:

- **Installer:** In the interest of safety and to minimize problems, read these installation instructions completely and carefully before you begin the installation process. Leave these installation instructions with the customer.
- **Customer:** Keep these installation instructions for future reference and the local electrical inspector's use. If you have questions or problems with installation, contact your Dacor® dealer or the Dacor Customer Service Team.

Customer Service Information

If You Need Help...

If you have questions or problems with installation, contact your Dacor dealer or the Dacor Customer Service Team. For repairs to Dacor appliances under warranty call the Dacor Distinctive Service line. Whenever you call, have the model and serial number of the appliance ready. The model and serial number are printed on the product data label.

Dacor Distinctive Service (repairs under warranty only)

Phone: (877) 337-3226 (U.S.A. and Canada)
Monday — Friday 6:00 A.M. to 4:00 P.M. Pacific Time

Dacor Customer Service

Phone: (800) 793-0093 (U.S.A. and Canada)
Monday — Friday 6:00 A.M. to 5:00 P.M. Pacific Time

Web site: www.Dacor.com

Product Data Label Location

The product data label is located on the side of the dishwasher's door. Open the door to expose it.

All specifications are subject to change without notice. Dacor assumes no liability for changes to specifications.

Important Safety Instructions

Important Information About Safety Instructions

- The **Important Safety Instructions** and warnings in this manual are not meant to cover all possible problems and conditions that can occur. Use common sense and caution when installing, maintaining or operating this or any other appliance.
- Always contact the Dacor Customer Service Team about problems and conditions that you don't understand.

Safety Symbols and Labels

DANGER

Immediate hazards that **WILL** result in severe personal injury or death.

WARNING

Hazards or unsafe practices that **COULD** result in severe personal injury or death.

CAUTION

Hazards or unsafe practices that **COULD** result in minor personal injury or property damage.

DANGER

To avoid the possibility of explosion or fire, do not store or use combustible, flammable or explosive vapors and liquids (such as gasoline) inside or in the vicinity of this or any other appliance. Do not store flammable or explosive materials in adjacent cabinets or areas.

WARNING

Failure to follow the warnings and cautions in these instructions may result in personal injury or death.

WARNING

A qualified technician must complete the installation of this built-in appliance. The owner is responsible to make sure the dishwasher is properly installed. Improper connection of the electrical wiring may create an electric shock or fire hazard and may result in damage to the dishwasher's electrical system. Do not use the dishwasher until it is completely installed.

READ AND SAVE THESE INSTRUCTIONS

Important Safety Instructions

General Safety Precautions

To reduce the risk of fire, electric shock, serious injury or death when using your appliance, follow basic safety precautions, including the following:

WARNING

- Do not install or operate this dishwasher if it has been damaged, dropped, has damaged electrical conduit or wires or is not working properly. If the product is damaged when received, immediately contact the dealer or builder.
- Use this dishwasher only for its intended purpose as outlined in the use and care manual. It is not intended for commercial use. Read the use and care manual completely before operation.
- Keep all packaging materials away from children. Plastic bags can cause suffocation.
- To avoid electric shock, this dishwasher must be installed and grounded by a qualified installer in a completely enclosed cabinet according to these installation instructions.
- All installation work, plumbing connections and electrical wiring must be performed in accordance with all applicable codes and standards.
- Install or locate this appliance only in accordance with these installation instructions.
- The installer must show the customer the location of the fuse box or circuit breaker panel so that the customer knows where and how to turn the power off.
- Before installing or servicing the dishwasher, switch power off at the fuse box or circuit breaker panel and lock the electrical panel door to prevent power from being switched on accidentally. When the circuit breaker panel cannot be locked, securely fasten a prominent warning device, such as a tag, to the electrical panel.
- Do not tamper with the controls.
- Do not leave children alone or unattended in the area where the dishwasher is in use. Do not let children play with this appliance.
- Never allow anyone, including children, to sit or stand on any part of the dishwasher. Stepping or sitting on any part of it may result in tipping, damage and serious injury.
- Store all detergents and rinse aids out of the reach of children.
- Do not operate the dishwasher without the door completely closed and the toe kick panel in place.
- To prevent child entrapment, always remove the door from an old dishwasher when removing it from service.

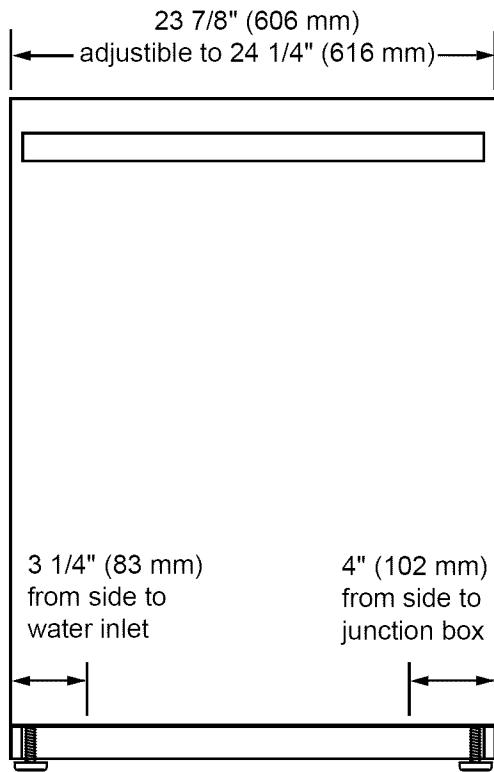
WARNING

- Many surfaces within the dishwasher achieve high temperatures. Do not touch interior surfaces or items inside the dishwasher during or immediately after use. Exercise caution when opening the door. Let hot air and steam escape before looking or reaching inside.
- During loading, insert all sharp or pointed objects with the handles up. Locate these items where they will not damage the door seal or cause personal injury.
- Under certain conditions hydrogen gas may be produced in a hot water system that has not been used for two weeks or more. Hydrogen gas is explosive. If the hot water system has not been used for a period of time, turn on all hot water faucets and let the water flow for several minutes to release any accumulated hydrogen gas. Do not smoke or use an open flame during this process.
- To prevent household mold and mildew damage, periodically check the hot water supply line and drain hoses for leaks.
- If the dishwasher outlet is connected to a garbage disposal, make sure the disposal is completely empty before running the dishwasher.
- To avoid damage to the racks, do not let sharp edges come into contact with them.
- This appliance is designed for installation by more than one person. To avoid personal injury, do not attempt to move or lift the dishwasher without assistance.
- To prevent personal injury and damage to the unit due to it tipping over, do not push down on the door anytime it is open. To reduce the chance of tipping, attach the anti-tip brackets to the cabinet before operation.
- The customer should not install, repair or replace any part of the dishwasher unless specifically recommended in the literature accompanying it. A qualified service technician should perform all other service. Contact the nearest Dacor authorized service representative for examination, repair or adjustment.
- Do not over torque the leveling legs. Doing so will distort the dishwasher chassis leading to door alignment problems and possible water damage.

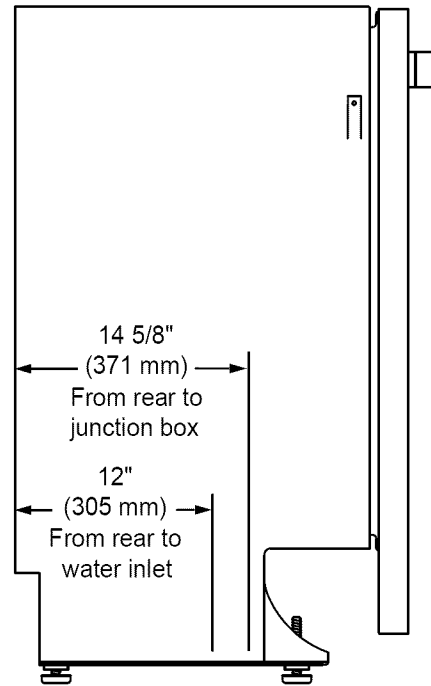
Installation Specifications

Product Dimensions

Product tolerances: $\pm 1/16"$ (± 1.6 mm), -0, unless otherwise stated

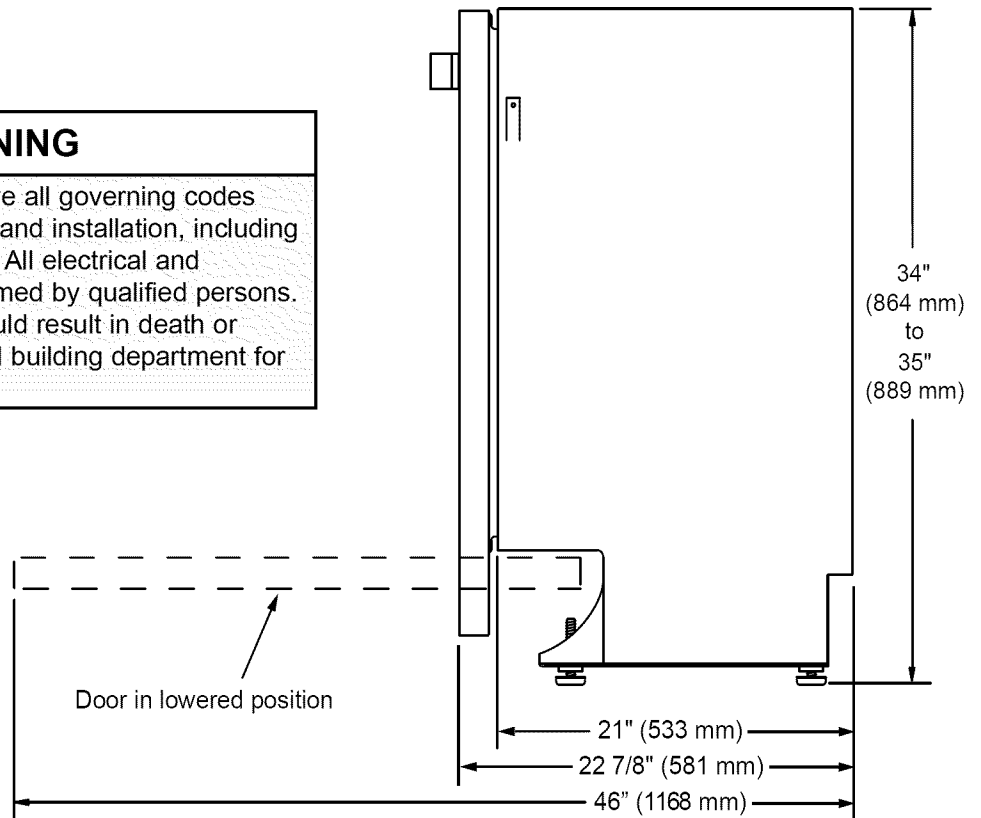


Handle style varies with model number.



WARNING

Electric Shock Hazard: Observe all governing codes and ordinances during planning and installation, including all plumbing and electrical work. All electrical and plumbing work should be performed by qualified persons. Failure to follow this warning could result in death or serious injury. Contact your local building department for further information.



Installation Specifications

Preparing the Location

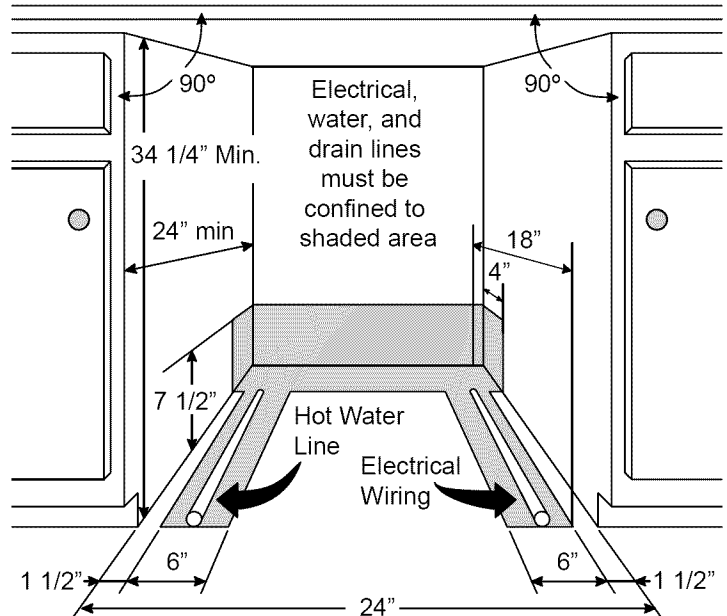


WARNING

Electric Shock Hazard - Electrical, water and drain lines must be confined to the shaded areas shown below to prevent damage. Failure to follow these instructions could result in fire, electric shock or property damage.

- Carefully check the location where the dishwasher is to be installed. Put it in a location with convenient access.
- Plan the installation so that the appliance can be removed if service is required.
- Make certain that electrical power, water supply and drain can be provided to meet the dishwashers power supply and plumbing requirements in the selected location. The best location is on either side of the kitchen sink for access to existing plumbing and ease in loading dishes.
- Prepare the installation location as shown in the cutout diagram to ensure proper and safe operation. All minimum dimensions must be met or exceeded.
- Electrical, water and drain connections are not the same for all dishwasher brands or models. If replacing an existing dishwasher, check the location of the existing utilities to determine if changes are required to meet the connection requirements of this dishwasher.
- Do not install this unit under a cooktop. Damage may occur.

- If the unit is to be placed in a corner, there must be at least 2 inches between the opened door and the wall.
- The floor must be solid, level and all cut-out surfaces must be at right angles. The dishwasher must be secured to the adjacent cabinets using the anti-tip brackets for safety and proper operation.
- If the dishwasher is installed at the end of a cabinet run or in an island, the dishwasher sides and back must be fully enclosed.



CUT-OUT FRONT VIEW

Power Supply Requirements



WARNING

The power supply for the dishwasher must be installed only by a licensed electrician as specified below. It is the owner's responsibility to ensure that the electrical connection of this appliance is performed by a licensed electrician.

Electrical Specifications

The electrical installation, including minimum supply wire size and grounding, must be in accordance with the National Electric code ANSI/NFPA (or latest revision) and local codes and ordinances. A copy of this standard may be obtained from:

National Fire Protection Association
1 Batterymarch Park
Quincy, Massachusetts 02269-9101

- The dishwasher requires a grounded, dedicated 120 Vac 60 Hz. circuit protected by a 15 Amp. circuit breaker or time delay fuse installed by a licensed electrician. See the product data label on the dishwasher for the total connected load.

- The junction box must be located to the right or left of the cut-out, in an adjacent cabinet, so that power can be disconnected without removing the dishwasher.
- The ground terminal (or lead) on the appliance must be connected to a grounded, metallic, permanent wiring system or grounding conductor installed by a licensed electrician.
- Do not ground the appliance or appliance wiring to a gas pipeline or to the neutral (white) power supply wire.
- Do not install a fuse in the neutral or ground circuit.

If the electrical service does not meet the specifications:

- Have a licensed electrician prepare the junction box for final connection inside the adjacent cabinet according to the specifications.

Installation Specifications

Plumbing Requirements

Drain Connection

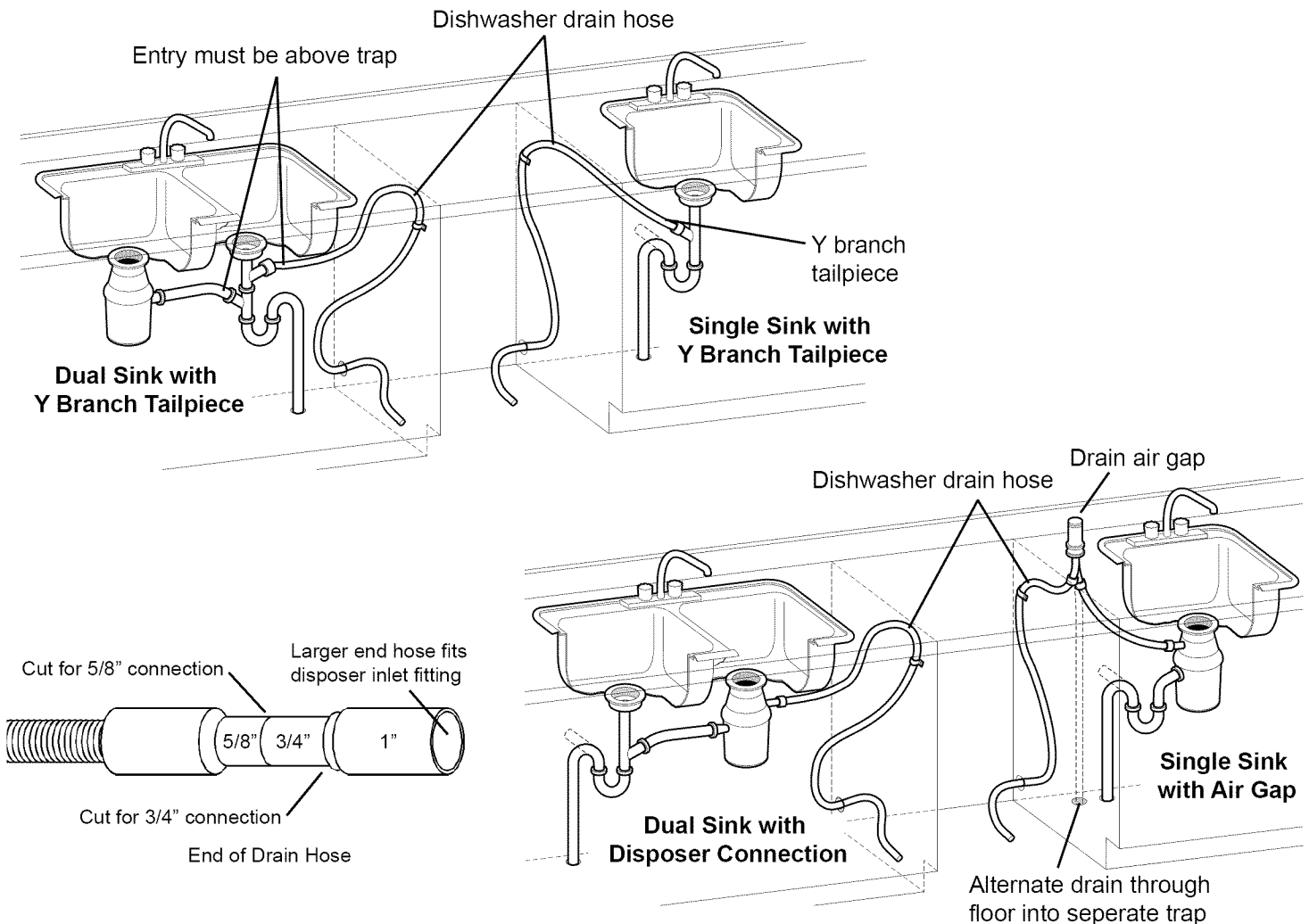
IMPORTANT: A 72" drain hose is supplied with the product. Should a longer drain hose be required, use a hose approved for detergents and high temperature water. The drain hose supplied with the dishwasher meets an AHAM DW-1 test standard. Longer drain hoses should not be longer than a total of 10 ft. in length.

- Review the different ways shown to connect the dishwasher to the drain system. Choose the method that best suits your need and meets local codes and ordinances.
- You must install an air gap in the drain if the drain hose is connected to household plumbing lower than 20 in. (50.8 cm) from the floor or if required by local codes. Plan for the air gap in the sink or countertop area adjacent to the dishwasher. A section of drain hose (not provided) needs to be installed from the air gap to the disposal or waste tee. The drain hose is routed from the dishwasher to an air gap inlet as shown. Air gap kits are available from a plumbing supply store.

- If an air gap is not required, the drain hose must be installed to an inlet or waste tee above the drain trap in the household plumbing. If you connect to a sink drain, entry will need to be above the trap. Use a "Y" branch tailpiece and connector kit (not include) for this method. It includes all needed fittings and instructions.

Hot Water Supply

- The water pressure must be between 20 and 120 p.s.i. (138-827 kPa). The household hot water heater must supply a minimum of 120 °F water to the dishwasher location for best results.
- Install a valve for the hot water supply line where it is easily accessible after the dishwasher is installed.
- Be sure the water inlet is protected from freezing. If the valve freezes and ruptures, flooding may occur.
- Determine the amount of tubing needed to connect the hot water supply to the unit's water inlet valve. Copper tubing must have a minimum of 3/8" OD. High-pressure and high-temperature rated plastic tubing with a minimum inner diameter of 1/4" may be used.



Installation Instructions

Verify the Package Contents

- Cut the shipping carton open and use it as a pad beneath the dishwasher until the legs are installed. With the assistance of at least one person, place the unit to the side of the cabinet opening.
- Remove all of the packing materials from inside and outside of the unit. **DO NOT** allow any of the shipping materials, loose screws or plastic to remain inside.
- Unpack the parts box and verify that all of the parts listed have been provided. If any item is missing or damaged, please contact the dealer immediately. Do not install a damaged or incomplete appliance.

Parts included with the dishwasher:

- 2-piece toe kick with sound insulation
- Cabinet mounting screws (2)
- Color-matched toe kick screws (2)
- Countertop mounting screws (2)
- Junction box cover and cover screw
- Leveling legs (2)
- Spanner wrench for leveling legs

Tools required for installation:

- 3/8", 5/16" and 1/4" nut drivers
- Bucket
- Carpenter's square
- Crescent wrench
- Drill and appropriate bits (new installations)
- Hole saw set (new installations)
- Level
- Phillips and flat blade screwdrivers
- Safety glasses
- Tape measure
- Tubing cutter
- Wire strippers

Materials required for installation (not provided):

IMPORTANT: Do not use old parts.

- 90° elbow (3/8" NPT external thread on one end, opposite end sized to fit water supply)
- 3 conductor wire (see electrical specifications)
- 3 wire nuts to fit wire mentioned above. Additional wire nuts may be required for connection to house wiring.
- Air gap for drain hose (if required, see page 5)
- Hose clamp (depends on installation type)
- Shut-off valve (if not already installed)
- Thread seal tape, pipe seal tape or joint compound
- Water inlet line 3/8" minimum copper or 1/2" minimum plastic (plastic must be tested for temperature and pressure). A new ferule and compression nut may also be required.
- UL/CSA approved strain relief for electrical connection
- Y-branch tailpiece (if required, see page 5)

Make sure you have everything necessary for proper installation before proceeding.

IMPORTANT: Each home installation differs. You may need parts in addition to those listed on this page to complete the installation.

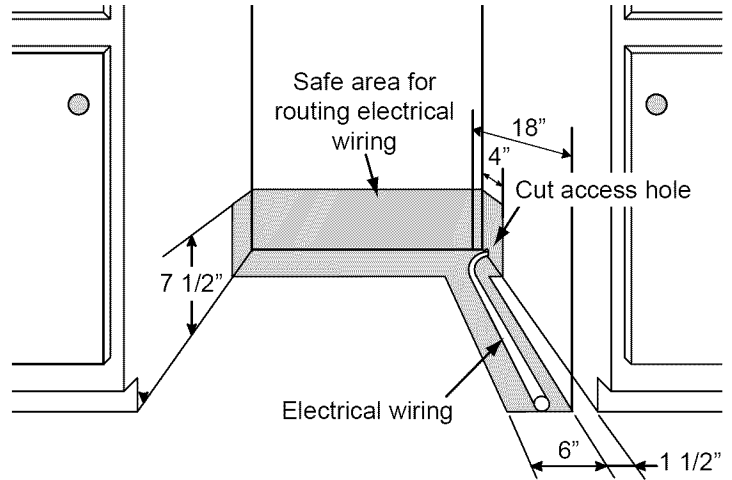
Installation Instructions

Electrical Connection

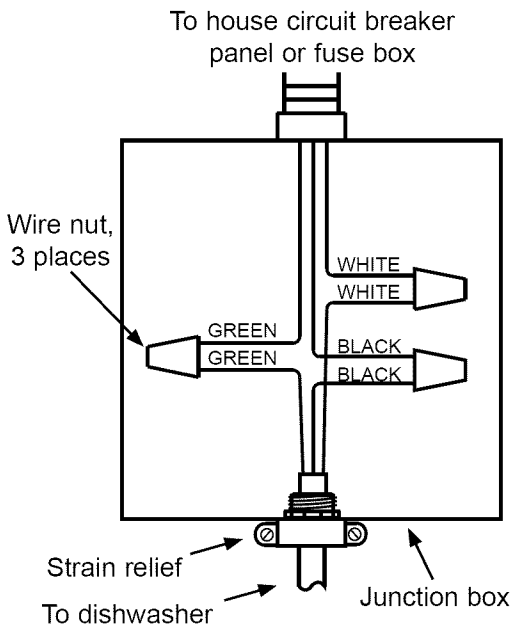
WARNING

- Do not install the dishwasher unless the electrical service provided meets the dishwasher specifications (see page 4).
- To avoid an electrical shock hazard, turn off power to the junction box at the circuit breaker panel or fuse box before proceeding.
- Do not cross the drain, water and electrical lines in front of the dishwasher motor or frame.
- Connect the dishwasher ground wire to a separate, properly grounded wire installed by a licensed electrician.
- A grounded cold water pipe must have metal continuity to an electrical ground and must not be interrupted by insulating materials. Any insulating materials must be jumped with a length of No. 4 copper wire securely clamped to bare metal at both ends. See diagram below.
- Joining aluminum building wire to stranded copper wire should be done by a qualified electrician using materials recognized by UL and local codes.

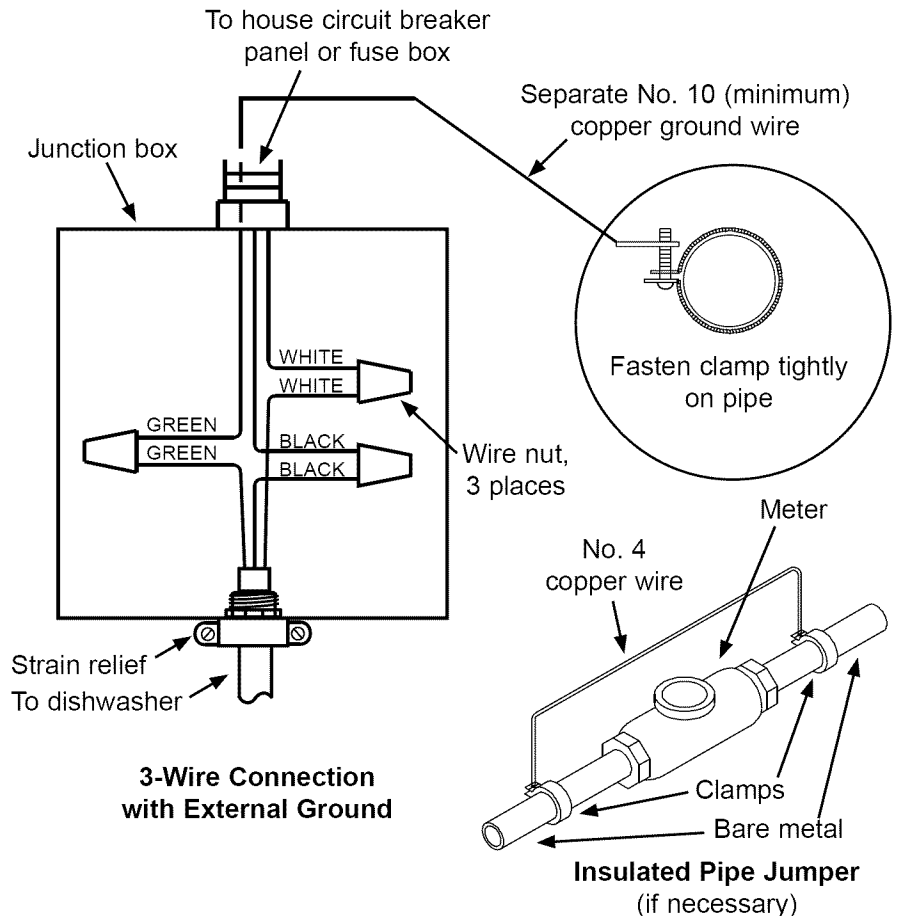
1. Make sure power to the house junction box is off.
2. Cut an access hole for the wiring in the shaded area shown in the cabinet diagram below.



3. Feed the electric wire through the access hole. Pull out all of the slack. Route the electrical cable into the installation area shown above. Failure to route the wiring as shown may result in damage during final installation.
4. Strip and connect the other end of the wiring to the house junction box using one of the methods shown below.



Standard 3-Wire Connection to House Junction Box



3-Wire Connection with External Ground

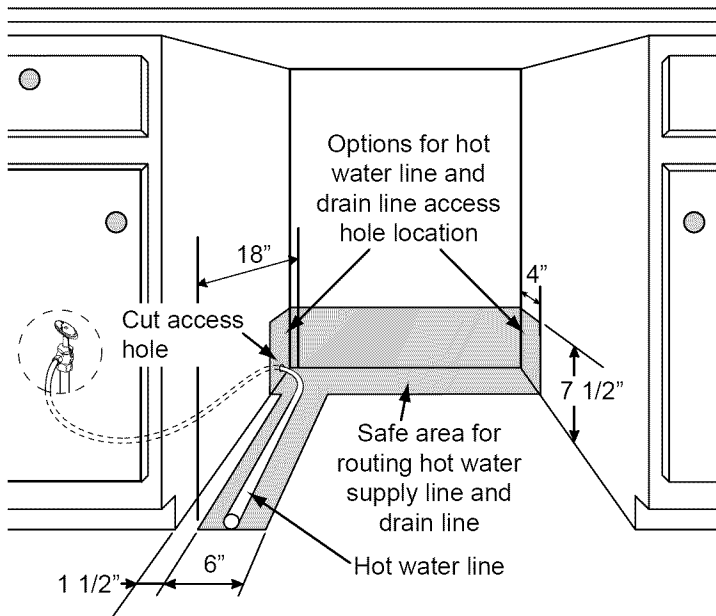
Installation Instructions

Plumbing Connections

WARNING

Do not cross the drain, water and electrical lines in front of the dishwasher motor or frame.

1. Cut the hot water supply line access hole in the cabinet as shown below.



2. If you are using an existing water line, cut 1" off the end of the line.
3. Route the hot water line to the installation area. Failure to route the line as shown above may result in damage during final installation. The hot water line must meet the plumbing requirements on page 5.
4. Connect the opposite end of the hot water line to the house hot water inlet valve.
5. Use a bucket to flush the water supply line to clear any foreign material.

Prepare Drain Cutout

1. Cut a 2" diameter hole in the section of the cutout (shaded) area shown above to allow routing of the drain hose to the drain connection under the sink when the dishwasher is pushed into place.
2. If the cabinet wall is wood, sand the edges of the hole until they are smooth and rounded. If the cabinet wall is metal, cover all sharp edges with electrical or duct tape to avoid cutting the drain hose.

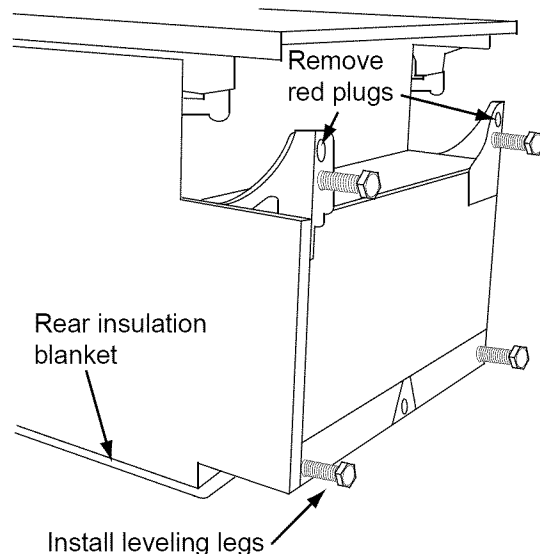
Preparing the Dishwasher for Installation

1. Uncoil the drain hose in the back of the dishwasher.
2. Do not remove the rear insulation blanket.
3. With the help of at least one other person, lay the dishwasher on its back. Do not kink or crush the drain hose.
4. Install the leveling legs into the holes below the red (shipping) plugs.

CAUTION

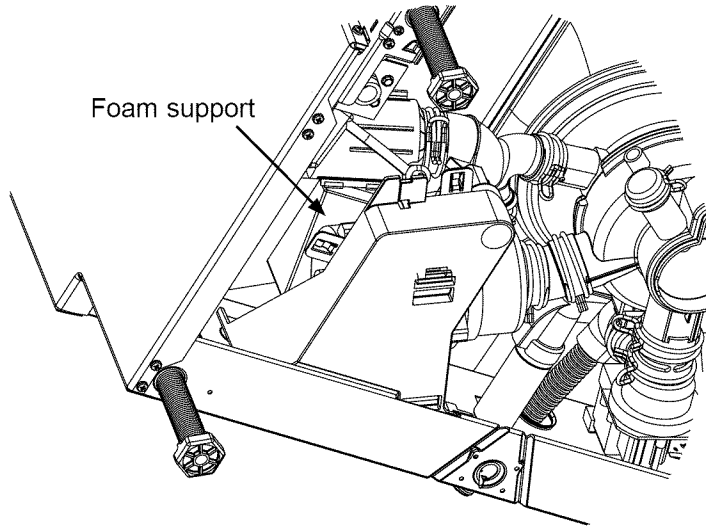
Install the legs as shown, a minimum of 1-1/4" from the bottom of the brackets. Failure to install the legs correctly may result in damage to the door when opened.

5. Remove the red shipping plugs.

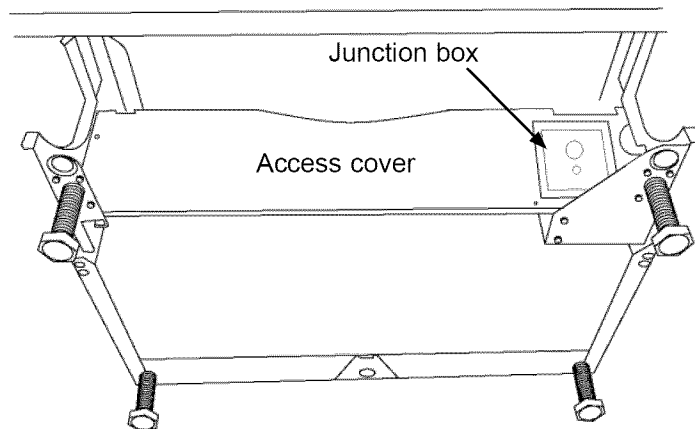


Installation Instructions

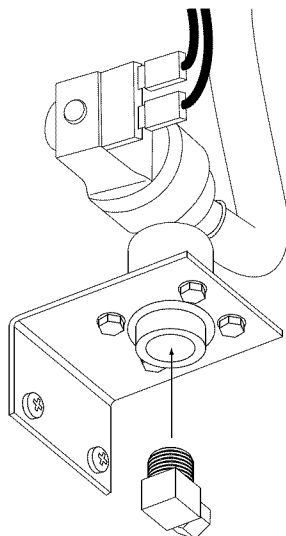
6. Locate the foam support between the motor and the liner on the bottom of the unit. Use two hands to rotate and slide the foam down and to the left to remove it. Discard the foam.



7. Remove the four (4) screws at the front of the access cover. Tilt the access cover and pull it forward to remove it.



8. Locate the water inlet valve on the bottom of the dishwasher. It has a 3/8" NPT female fitting. Wrap the threads on the 90° elbow (not included) with thread seal tape or apply joint compound. If using tape, wrap it in the same direction as the elbow threads. Thread the elbow into the water inlet valve.



9. Tighten the elbow with a wrench, leaving it pointing toward the rear of the dishwasher. To prevent damage, do not over tighten.

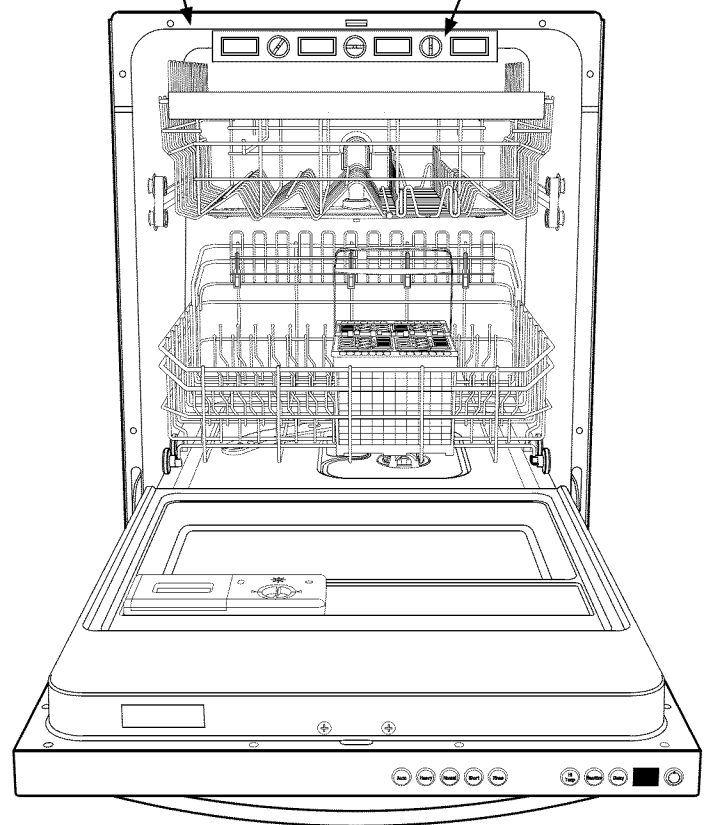
Level the Dishwasher

CAUTION

A level unit is very important for proper operation. Be sure to level the unit front to back and side to side.

1. Measure the height of the cabinet opening from the underside of the countertop to the floor.
2. Move the dishwasher to the front of the installation area.
3. Use the included spanner wrench to adjust the leveling legs. Make sure the dishwasher height fits into the enclosure with 1/4" clearance at the top.
4. Open the door and remove the bottom rack. Check that the dishwasher is level from front to back by placing a level inside, on the bottom of the tub. Check to make sure the dishwasher is level side to side by placing the level on the top front of the tub.

Top front of tub Level



5. Adjust the legs up or down until the dishwasher is level.

Installation Instructions

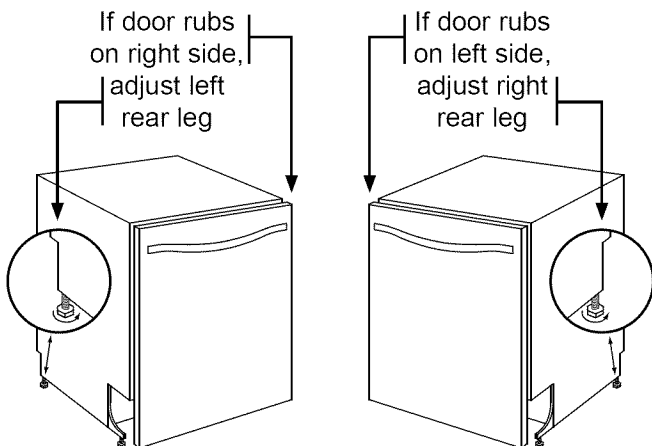
Positioning the Unit in the Cabinet

WARNING

- Be careful not to pinch the wiring, hot water line and drain hose as you push the dishwasher into place. An electric shock hazard or water damage may result from pinched wires or hoses. Damage due to improper installation is not covered under the warranty.
- Do not push against the front panel with your knees while positioning the dishwasher. Failure to follow this warning could result in damage to the dishwasher and will void the warranty.
- Make sure the power to the house junction box is off and the hot water supply valve is off before sliding the unit into the cabinet.

IMPORTANT: Before continuing the installation, make sure you have an adequate mounting surface beneath or on the sides of the countertop and cabinets to attach the anti-tip brackets and side panels. See **Securing the Dishwasher to the Cabinet and Countertop** on page 12.

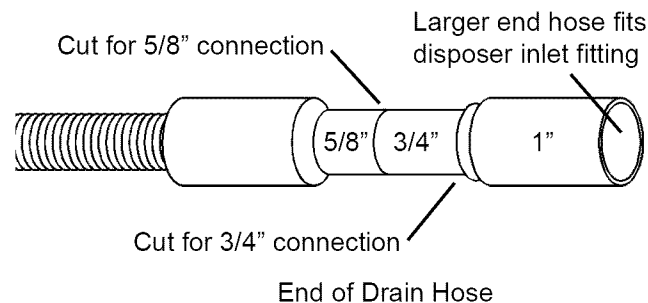
1. Before sliding the unit into the cut-out, position the hot water line and house wiring on the floor of the opening to avoid interference with the base and legs of the dishwasher.
2. Insert the drain hose into the drain access hole made in the cabinet wall during previous steps.
3. Slide the dishwasher into the opening a few inches at a time. As you push it in, pull the drain hose through the cabinet wall under the sink. Also check to make sure there is no interference with the house wiring or the water line.
4. Check the dishwasher to make sure it is level. Verify that the dishwasher is adjusted to the correct height and is centered in the enclosure.
5. Open and close the door to insure proper operation. If there is any binding or rubbing, adjust the leveling legs. If the door rubs on the right side of the cabinet, extend the left rear leg by unscrewing it 1/4 of a turn. If the door rubs on the left side of the cabinet, extend the right rear leg by unscrewing it 1/4 turn.



6. Check again to see if the dishwasher is level. Repeat the leveling procedures if necessary. To prevent leaks, do not over-torque the legs.

Finish the Drain Connection

1. The dishwasher is supplied with a 72" long drain hose. If a longer drain hose is required, you may add an extension up to 48" of length. Maximum total drain hose length is 10 feet. The hose must not restrict the flow from the drain of the dishwasher to the house's drain system. The type of hose used should be consistent with the type and diameter installed on the dishwasher.
2. Cut the end of the drain hose if necessary for the proper connection size and application. See below.

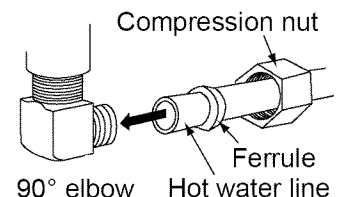


3. Secure the drain hose to the air gap, waste tee or disposer with hose clamps.
4. Make sure the drain hose is not kinked.

IMPORTANT: When connecting the drain line to the disposer, check to be sure that the knockout plug on the disposer has been removed. The dishwasher will not drain if the plug is in place.

Finish the Water Connection

1. Make sure that there are no sharp bends or kinks in the line to restrict the water flow.
2. Insert the water line into the 90° elbow connected to the water inlet on the bottom of the dishwasher. Always use a new ferrule and compression nut.
3. Slide the ferrule against the elbow and secure with the compression nut.
4. Turn the water on to check for leaks.



Installation Instructions

Finish the Electrical Connection

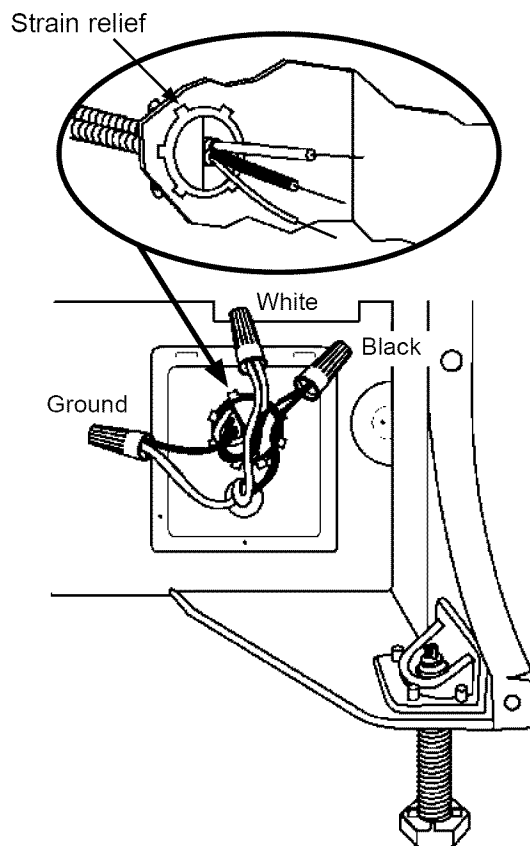
WARNING

Electric Shock Hazard - Make sure electrical power has been turned off at the circuit breaker panel or fuse box.

Do not connect the dishwasher to the power supply until the appliance is permanently grounded.

All wiring connections must be enclosed in the junction box. This unit has copper lead wires.

1. Verify that the power is turned off at the source.
2. Strip the necessary insulation off the wires in order to make a good connection.
3. Fit the strain relief onto the outer sheath of the wire.
4. Fit the strain relief into the junction box hole and tighten.
5. Locate the white, black and green dishwasher wires with stripped ends. Use wire nuts to connect the incoming ground wire to green, white to white and black to black.



6. Install the junction box cover with the screw provided.
7. Check to be sure that the wires are not pinched under the cover.

Verifying Proper Operation

WARNING

- To ensure a safe and proper installation, the following checklist should be completed by the installer to ensure that no part of the installation has been overlooked and the unit is working properly.
- Proper installation is the responsibility of the homeowner. The importance of proper installation of your Dacor dishwasher cannot be overemphasized.

Pre-verification Check List

- Confirm that the main power supply (at the circuit breaker panel or fuse box) is off.
- Verify that the dishwasher is level by pulling the lower rack half way out. Let go of the rack and make sure it does not roll in or out. If it does, re-level the dishwasher.
- Double check the electrical wiring, water supply line and drain hose. Verify that all wiring is secure. Make sure there are no kinks in the electrical wiring, water supply line and drain hose. Make sure they are not pinched or in contact with door springs or any other dishwasher components.
- Make sure all packing materials have been removed from inside the dishwasher.
- Familiarize yourself with operation of the dishwasher by reading the use and care manual.
- Remove any protective film, if present, from the control panel, door panel, etc.
- Add two quarts of water to the bottom of the dishwasher to lubricate the pump seal.
- Turn on the water supply and check for plumbing leaks. Tighten connections if necessary.
- Replace the access cover (underneath the dishwasher).
- Verify the hot water temperature by turning on the hot water faucet at the sink. The water going to the dishwasher must be between 120°F and 150°F.

Continued...

Installation Instructions

Verifying Proper Operation, Cont.

Wet Test Check List

- Turn on the main power supply.
- Program the dishwasher to run a normal wash. See the use and care manual for specific operating instructions.
- Close the door completely.
- Operate the machine through at least one fill and pump out and check the following items:
 - ◇ Make sure the water completely covers the filter.
 - ◇ Make sure all water is pumped out during the pump phase of the cycle.
 - ◇ Check connections for leaks.

If the dishwasher fails to operate properly:

- Verify that power is supplied to the dishwasher.
- Check all plumbing connections.
- Repeat the verification test.
- If the appliance still does not work, contact Dacor Distinctive Service at (877) 337-3226. Do not attempt to repair the appliance yourself. If you need service, be sure to have the model and serial numbers available when you call. See the inside cover for location.

Dacor is not responsible for the cost of correcting problems caused by a faulty installation.

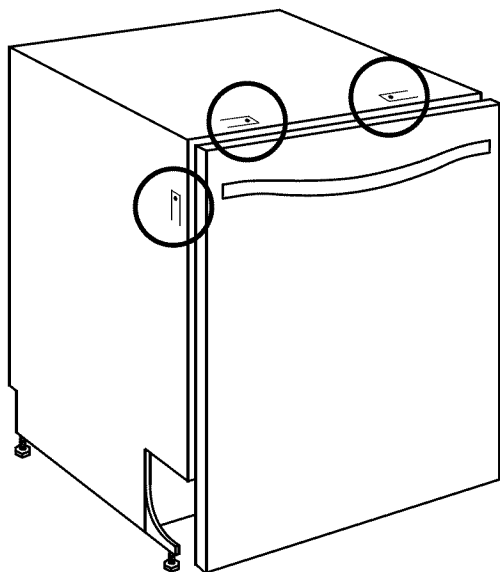
Securing the Dishwasher to the Cabinet and Countertop

CAUTION

Make sure to anchor at least two of the anti-tip brackets, one on each side of the dishwasher. Make sure sufficient countertop/cabinet support exists.

Attach the Anti-Tip Brackets:

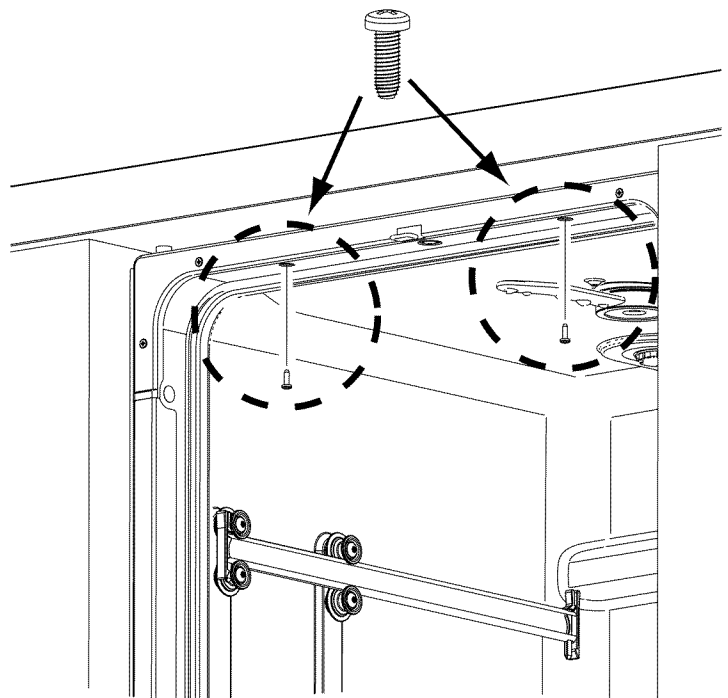
To maintain position and alignment, Dacor recommends that the dishwasher be secured to the countertop. In cases where it is not possible to anchor to the countertop (for example, when the dishwasher is installed beneath a granite counter), the appliance may be anchored to adjacent cabinets.



Anti-tip Brackets

Attaching the Unit to the Countertop

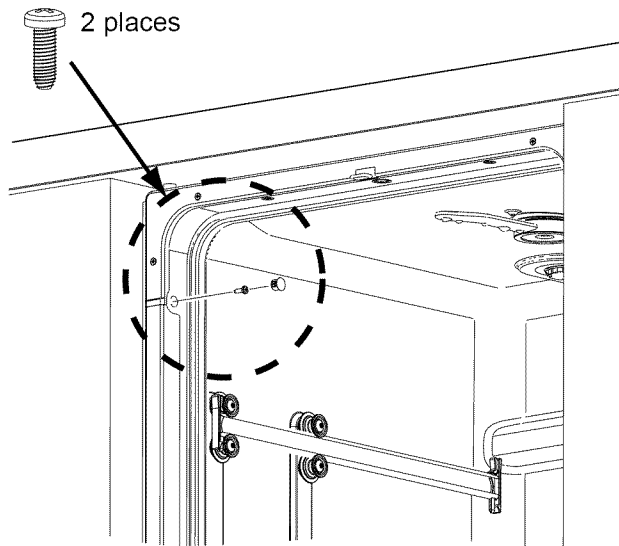
1. Determine if the dishwasher can be attached to the countertop. Check at a depth of 2.5" under the counter to ensure sufficient mounting support exists. If sufficient mounting support does not exist, attach the unit to adjacent cabinets. See facing page.
2. If sufficient support exists to attach to the countertop, drill pilot holes into the underside of the countertop for the provided mounting screws.
3. Secure the anti-tip brackets to the countertop using the provided screws as shown.



Installation Instructions

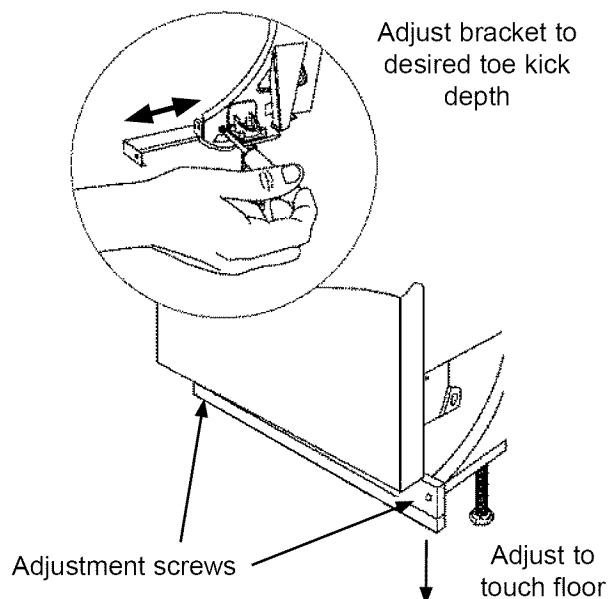
Attaching the Unit to the Adjacent Cabinets

1. Remove the (2) plastic plugs on each side of the inside of the dishwasher frame.
2. Drill pilot holes into the adjacent cabinets for the provided mounting screws.
3. Secure the anti-tip brackets on both sides to the cabinets using the provided screws as shown.
4. Replace the plastic plugs.



Installing the Toe Kick

1. Loosen the depth adjustment screw on each side as shown.
2. Slide the bracket out to the proper depth and retighten the screws.
3. Attach the supplied toe kick to the brackets with the provided color matched screws.



Adjusting the Stainless Steel Trim Plates

Your Dacor dishwasher has been equipped with adjustable stainless steel side trim plates. Each side can be adjusted independently to create a clean, integrated look with your cabinets.

To Adjust the Side Trim Strips

1. Open the door to the fully open position.
2. Loosen, but do not remove, the screws **A** holding the top and side trim plates.
3. Adjust the side trim plates **B** to cover the opening gap.
4. Retighten the screws.

