



Installation Instructions

24-Inch Dishwasher

For use with models: ED24, ID24, MDH24, MDV24 and PD24

Table of Contents

Important Safety Instructions	1	Installation Instructions	6
Important Information About Safety Instructions	1	Verify the Package Contents	6
Safety Symbols and Labels	1	Electrical Connection	7
General Safety Precautions	2	Plumbing Connections	9
Design Specifications	3	Installing the Unit in the Cabinet	9
Product Specifications	3	Drain Line Installation	12
Preparing for Installation	4	Verifying Proper Operation	13
Preparing the Location	4		
Power Supply Preparation	5		
Plumbing Preparation	5		
Preparing the Drain	5		

Before You Begin...

Important:

Installer: In the interest of safety and to minimize problems, read these installation instructions completely and carefully before you begin the installation process. Leave these installation instructions with the customer.

Customer: Keep these installation instructions for future reference and the local electrical inspector's use.

Customer Service Information

If You Need Help...

If you have questions or problems with installation, contact your Dacor dealer or the Dacor Customer Service Team. For repairs to Dacor appliances under warranty call the Dacor Distinctive Service line. Whenever you call, have the model and serial number of the appliance ready. The model and serial number are printed on the product data label.

Dacor Distinctive Service (repairs under warranty only)

Phone: (877) 337-3226 (U.S.A. and Canada)
Monday — Friday 6:00 A.M. to 4:00 P.M. Pacific Time

Dacor Customer Service

Phone: (800) 793-0093 (U.S.A. and Canada)
Monday — Friday 6:00 A.M. to 5:00 P.M. Pacific Time

Web site: www.Dacor.com

Product Data Label Location

The product data label is located on the left door jamb. Open the door to expose it.

All specifications are subject to change without notice. Dacor® assumes no liability for changes to specifications.

Important Safety Instructions

Important Information About Safety Instructions

- The **Important Safety Instructions** and warnings in these instructions are not meant to cover all possible problems and conditions that can occur. Use common sense and caution when installing, maintaining or operating this or any other appliance.
- Always contact the Dacor Customer Service Team about problems and conditions that you don't understand. See **Customer Service Information**.

Safety Symbols and Labels

DANGER

Immediate hazards that **WILL** result in severe personal injury or death.

WARNING

Hazards or unsafe practices that **COULD** result in severe personal injury or death.

CAUTION

Hazards or unsafe practices that **COULD** result in minor personal injury or property damage.

DANGER

To avoid the possibility of explosion or fire, do not store or use combustible, flammable or explosive vapors and liquids (such as gasoline) inside or in the vicinity of this or any other appliance. Do not store flammable or explosive materials in adjacent cabinets or areas.

WARNING

A qualified technician must complete the installation of this built-in appliance. The owner is responsible to make sure the dishwasher is properly installed. Improper connection of the electrical wiring may create an electric shock or fire hazard and may result in damage to the dishwasher's electrical system.

READ AND SAVE THESE INSTRUCTIONS

Important Safety Instructions

General Safety Precautions

To reduce the risk of fire, electric shock, serious injury or death when using your appliance, follow basic safety precautions, including the following:

WARNING

- Do not install or operate this dishwasher if it has been damaged, dropped, has damaged electrical conduit or wires or is not working properly. If the product is damaged when received, immediately contact the dealer or builder.
- Use this dishwasher only for its intended purpose as outlined in the use and care manual. It is not intended for commercial use. Read the use and care manual completely before use.
- Keep all packaging materials away from children. Plastic bags can cause suffocation.
- To avoid electric shock, this dishwasher must be installed and grounded by a qualified installer in a completely enclosed cabinet according to these installation instructions.
- All installation work, plumbing connections and electrical wiring must be performed in accordance with all applicable codes and standards.
- Install or locate this appliance only in accordance with these installation instructions.
- The installer must show the customer the location of the fuse box or circuit breaker panel so that the customer knows where and how to turn the power off.
- Before installing or servicing the dishwasher, switch power off at the fuse box or circuit breaker panel and lock the electrical panel door to prevent power from being switched on accidentally. When the circuit breaker panel cannot be locked, securely fasten a prominent warning device, such as a tag, to the electrical panel.
- Do not tamper with the controls.
- Do not leave children alone or unattended in the area where the dishwasher is in use. Never allow children to sit or stand on an appliance. Do not let children play with this appliance.
- Never allow anyone, including children, to sit or stand on any part of the dishwasher. Stepping or sitting on any part of it may result in tipping, damage and serious injury.
- Many surfaces within the dishwasher achieve high temperatures. Do not touch interior surfaces or items inside the dishwasher during or immediately after use. Exercise caution when opening the door. Let hot air and steam escape before looking or reaching inside.

WARNING

- Do not operate the dishwasher without the door completely closed and the toe kick panel in place.
- Store all detergents and rinse aids out of the reach of children.
- During loading, insert all sharp or pointed objects with the handles up. Locate these items where they will not damage the door seal or cause personal injury.
- Do not tamper with the controls.
- Under certain conditions hydrogen gas may be produced in a hot water system that has not been used for two weeks or more. Hydrogen gas is explosive. If the hot water system has not been used for a period of time, turn on all hot water faucets and let the water flow for several minutes to release any accumulated hydrogen gas. Do not smoke or use an open flame during this process.
- To prevent child entrapment, always remove the door from an old dishwasher when removing it from service.
- To prevent household mold and mildew damage, periodically check the inlet and drain hoses for leaks.
- If the dishwasher outlet is connected to a garbage disposal, make sure the disposal is completely empty before running the dishwasher.
- To avoid damage to the racks, do not let sharp edges come into contact with them.
- This appliance is designed for installation by more than one person. To avoid personal injury, do not attempt to move or lift the dishwasher without assistance.
- To prevent personal injury and damage to the unit due to it tipping over, do not push down on the door anytime it is open. To reduce the chance of tipping, attach the anti-tip brackets to the cabinet before operation.
- The customer should not install, repair or replace any part of the dishwasher unless specifically recommended in the literature accompanying it. A qualified service technician should perform all other service. Contact the nearest Dacor authorized service representative for examination, repair or adjustment.

Design Specifications

Product Specifications

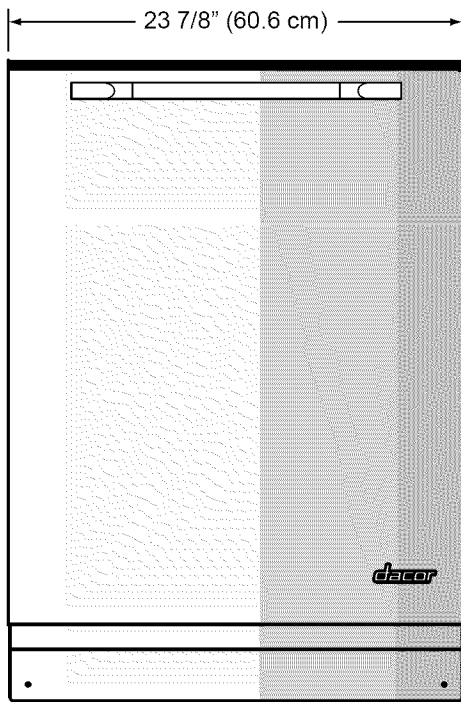
Technical

Water Pressure	20 to 120 psi (138 - 827 kPa)
Water Temperature	120 °F, minimum
Electrical Circuit Requirements	15 Amp. 120 Vac, 60 Hz dedicated, grounded, circuit.
Total Connected Load	12 Amp. @ 120 Vac, 60 Hz.*

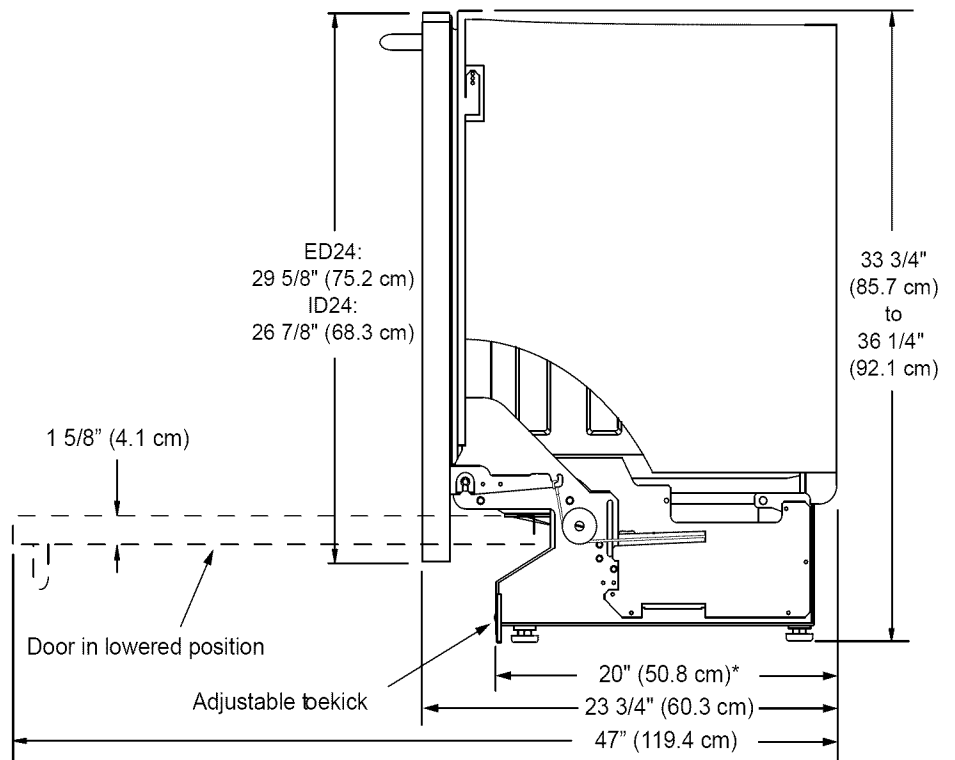
* For reference only. For exact specifications see the product data label located inside the left door jamb.

Dimensions

Tolerances: +1/16", -0, (+1.6 mm, -0) unless otherwise stated



Door style varies with model number.



*Allows for hose on back of unit

Preparing for Installation

WARNING

Observe all governing codes and ordinances during planning and installation. Contact your local building department for further information.

IMPORTANT: Follow all cabinet and countertop minimum dimensions shown below to insure safe operation.

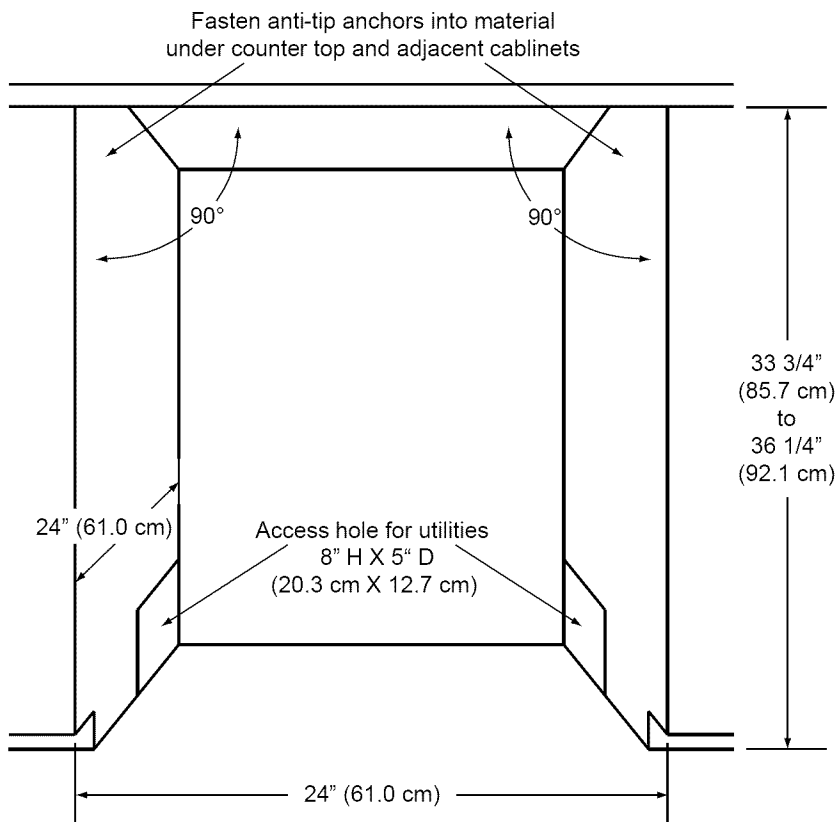
Prepare the installation location as shown below. All minimum product dimensions must be met or exceeded (see page 3). Dimensions shown provide minimum clearances, unless otherwise noted.

Preparing the Location

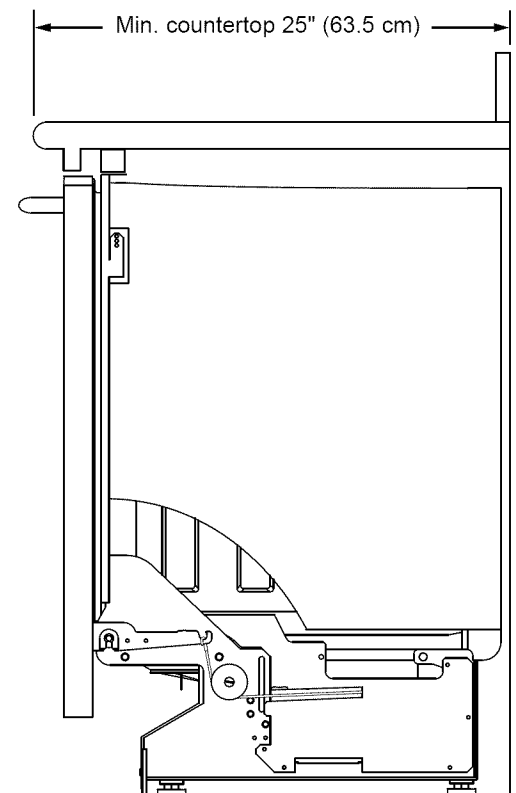
Carefully check the location where the dishwasher is to be installed. Put it in a location with convenient access. Make certain that electrical power can be provided in the selected location.

The floor must be solid, level and all cut-out surfaces must be at right angles. The dishwasher must be secured to the adjacent cabinets using the anti-tip brackets for safety and proper operation.

Plan the installation so that the appliance can be removed if service is required.



CUT-OUT FRONT VIEW



CABINET INSTALLATION SIDE VIEW

Preparing for Installation

Power Supply Preparation

WARNING

The electrical power supply for the dishwasher must be installed only by a licensed electrician as specified below. It is the owner's responsibility to ensure that the electrical connection of this appliance is performed by a licensed electrician.

Electrical Specifications

The electrical installation, including minimum supply wire size and grounding, must be in accordance with the National Electric code ANSI/NFPA* (or latest revision) and local codes and ordinances.

*A copy of this standard may be obtained from:

National Fire Protection Association
1 Batterymarch Park
Quincy, Massachusetts 02269-9101

Power supply requirements:

- The dishwasher requires a grounded, dedicated 120 Vac, 60 Hz circuit protected by a 15 Amp. circuit breaker or time delay fuse installed by a licensed electrician.
- It must be located to the right or left of the cut-out, in an adjacent cabinet, so that power can be disconnected without removing the dishwasher.
- The ground terminal (or lead) on the appliance must be connected to a grounded, metallic, permanent wiring system or grounding conductor installed by a licensed electrician.
- Do not ground the appliance or appliance wiring to a gas pipeline or to the neutral (white) power supply wire.
- Do not install a fuse in the neutral or ground circuit.

The dishwasher can be connected to:

A UL/CSA approved, grounded, three-prong receptacle (if local code permits). This method is the easiest to install.

OR

Directly to the house wiring. Hard-wire the dishwasher according to local code directly to a three wire grounded, single phase connection in a junction box.

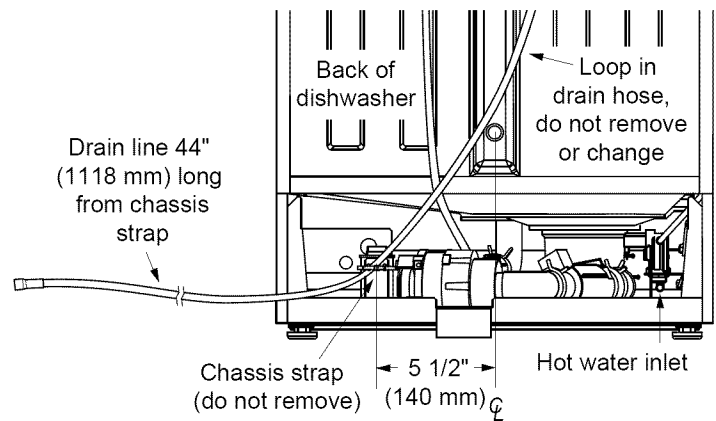
NOTE: In either case, be sure the power cable or wire is long enough to remain connected when the appliance is removed from the cut-out for service.

If the electrical service does not meet the specifications above:

- Have a licensed electrician prepare the electrical receptacle or junction box for final connection inside the adjacent cabinet according to the specifications above.

Plumbing Preparation

- The water pressure must be between 20 and 120 psi (138-827 kPa). The household hot water heater must supply a minimum of 120 °F water to the dishwasher location for best results.
- Install a valve for the hot water supply line where it is easily accessible after the dishwasher is installed.
- A flexible braided hot water inlet hose is highly recommended for connection to the hot water supply. Connect it to the unit just prior to installation into the cabinet. The dishwasher ships with a 3/8" (10 mm) male compression fitting on the hot water inlet to facilitate installation.



Preparing the Drain

CAUTION

Keep the factory installed high loop drain hose in place to ensure proper dishwasher operation. Do not cut, tie, strap or lower it. If it is necessary to lengthen it, install an aftermarket drain extension kit, available at most home improvement stores.

IMPORTANT: A drain hose is supplied with the product (see above). Should a longer drain hose be required, use a hose approved for detergents and high temperature water. The drain hose supplied with the dishwasher meets an AHAM DW-1 test standard. Longer drain hoses should not be longer than a total of 12 ft. in length.

- You must install an air gap in the drain if the drain hose is connected to household plumbing lower than 20 in. (50.8 cm) from the floor or if required by local codes. Plan for the air gap in the sink or countertop area adjacent to the dishwasher. A section of drain hose (not provided) needs to be installed from the air gap to the disposal or waste tee.
- If an air gap is not required, the drain hose must be installed to an inlet or waste tee above the drain trap in the household plumbing.
- The drain hose supplied with the dishwasher should be connected to a minimum 1/2 in. I.D. drain connection.

Installation Instructions

Verify the Package Contents

NOTE: Model ID24 ships without a front panel. It is designed for the installation of an integrated front panel that matches the surrounding cabinets.

- With the assistance of at least one person, remove the dishwasher from the shipping carton. Place the unit to the side of the cabinet opening.
- Remove all of the packing materials from inside and outside of the unit. **DO NOT** allow any of the shipping materials, loose screws or plastic to remain inside. Remove the racks. Set them aside for later installation.
- Unpack the parts box and verify that all required components have been provided. If any item is missing or damaged, please contact the dealer immediately. Do not install a damaged or incomplete appliance.

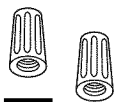
- A** Extended toe kick
 - B** Left side access panel
 - C** 6 Plastic fasteners (for access panel)
 - D** Use and care manual
 - E** Model ID24 only: Integrated template, screws and door tensioning springs for heavy door panels.
- A bottle of Dacor® Stainless Steel Cleaner is also included with models having stainless steel doors.

Tools required for installation:

- F** Wire strippers
- G** Level
- H** Crescent wrench
- J** Phillips screwdriver
- K** Tape measure

Materials required for installation (not provided):

- L** 2 wire nuts to fit wire mentioned above. Additional wire nuts may be required for connection to house wiring.
- M** 3/4" UL/CSA approved strain relief
- N** Hose clamp (for 1 3/8" OD drain hose)
- P** 3/8" flexible braided fill hose (required length varies)
- Q** Wire or three-prong UL/CSA approved electric cord (see electrical specifications)



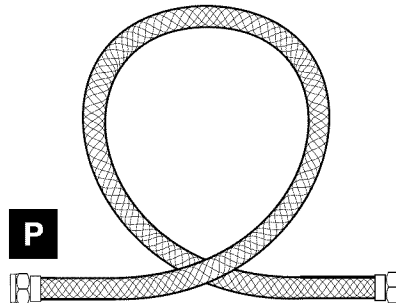
L



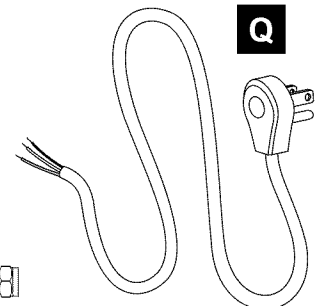
M



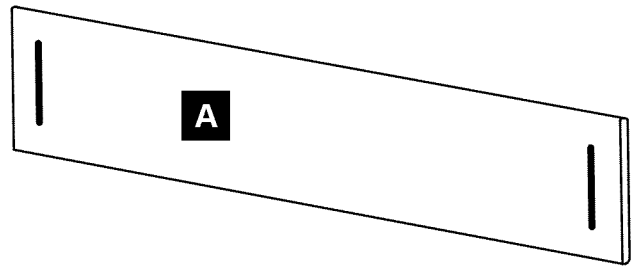
N



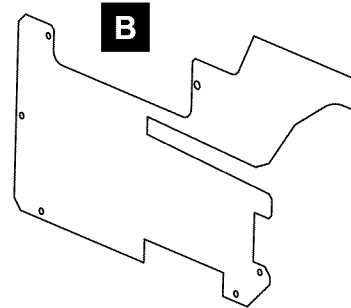
P



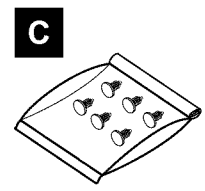
Q



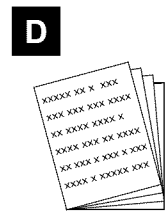
A



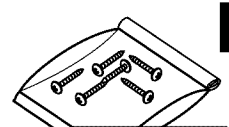
B



C

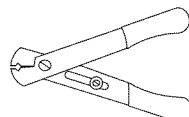


D

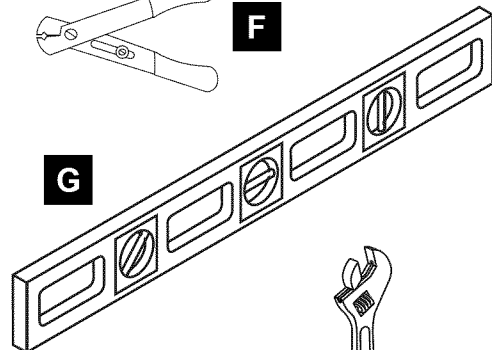


E

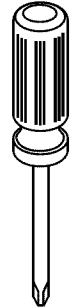
24-Inch Integrated Custom Panel Installation



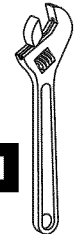
F



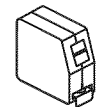
G



J



H



K

Make sure you have everything necessary for proper installation before proceeding.

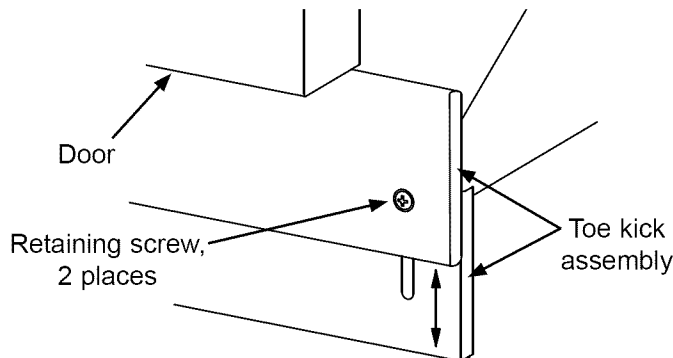
Installation Instructions

Electrical Connection

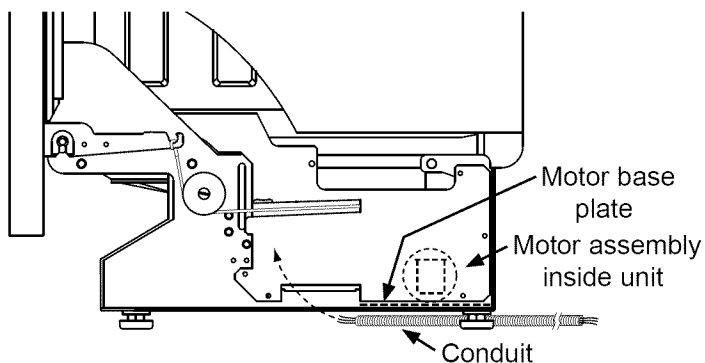
WARNING

- Do not install the dishwasher unless the electrical service provided meets the dishwasher specifications (see page 5).
- To avoid an electrical shock hazard, turn off power to the electrical outlet or junction box at the circuit breaker panel or fuse box before proceeding. Do not turn on the power or water supply until instructed to do so on the following pages.
- To prevent the possibility of a short circuit if using metal conduit for the electrical connection, route it on the ground under the bottom of the dishwasher as instructed below.

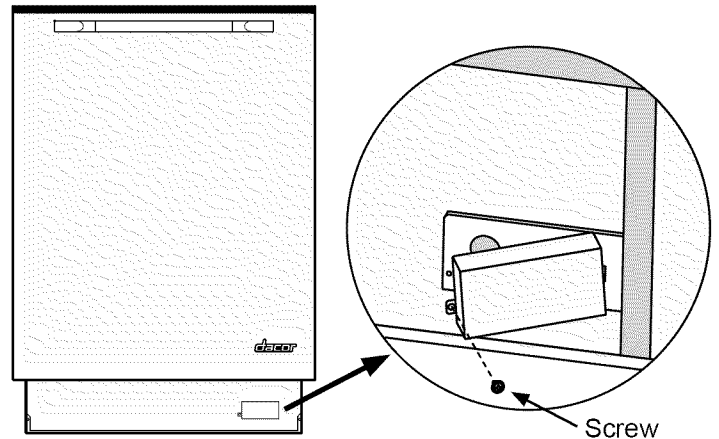
1. Make sure power to the electrical receptacle or house junction box is off.
2. Before connecting the wiring and the plumbing, push the dishwasher into position with the back of the unit about six (6) inches in front of the cut-out.
3. Remove the two (2) screws that hold the toe kick assembly in place and remove it. **NOTE:** Do not reinstall the toe kick until the dishwasher is completely installed and tested.



4. Route the electrical wiring through the back of the unit to the back of the dishwasher electrical junction box. **IMPORTANT:** If using metal conduit, prevent a short circuit condition by routing it on the ground under the unit and bringing the end up behind the junction box as shown below. Doing so reduces the chance of shorts against the internal motor and heater terminals.

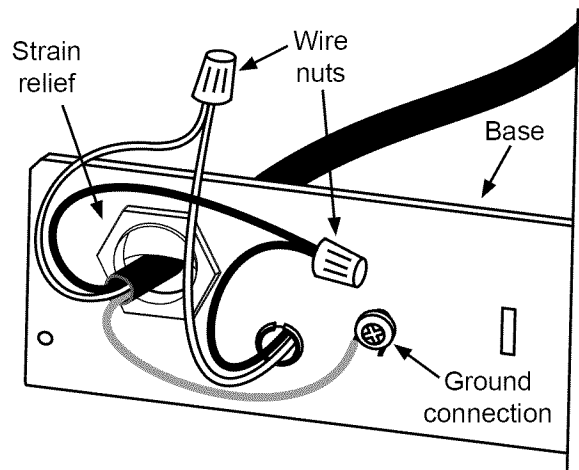


5. Remove the dishwasher junction box cover screw and remove the cover. The junction box is mounted to the dishwasher chassis below the door.



Junction Box Location

6. Install a 3/4" UL/CSA approved strain relief on the base of the dishwasher junction box.



Junction Box Wiring

7. Strip the three (3) wires on the end of the electric cord or one end of the wire that will connect to the house wiring.
8. Feed the end of the wire or cord through the dishwasher chassis into the junction box base through the strain relief.
9. Loosen the grounding screw on the base and connect the green wire. Tighten it into place.
10. Connect the power cord (or house wiring) black and white wires to the black and white wires inside the junction box. Match the colors. Use wire nuts to connect them.
11. Tighten the strain relief. Pull gently on the wiring from the back to make sure it is secure.
12. Replace the junction box cover and screw.

Installation Instructions

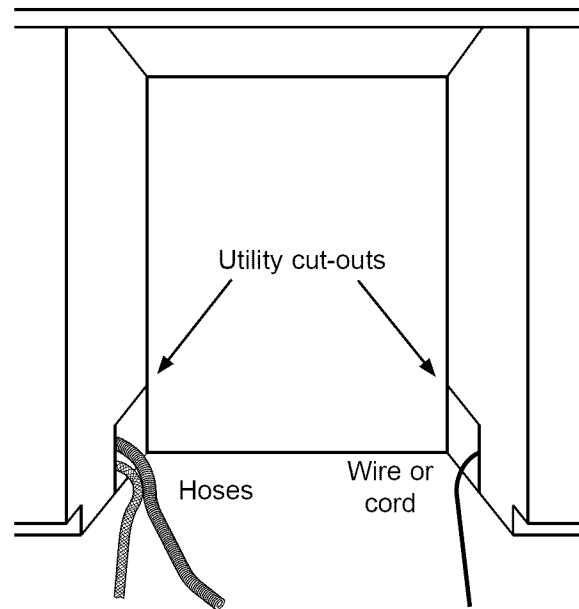
Electrical Connection

(Continued)

13. Feed the electric wire or cord into the utility hole in the side of the cut-out. Pull all of the slack out of the wire.

If the unit is to be connected directly to the house wiring:

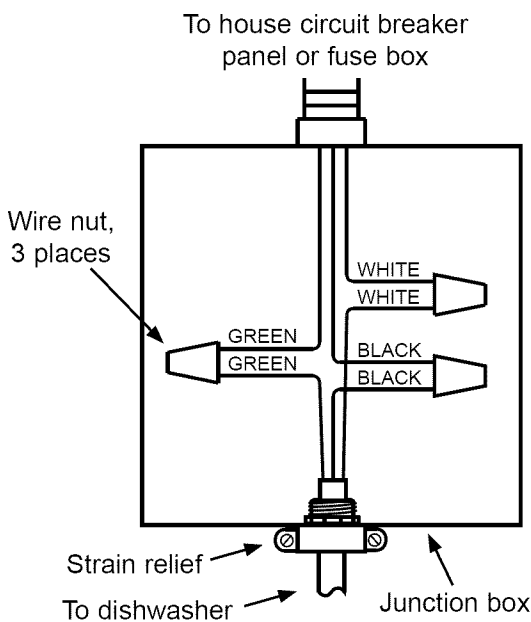
- With power turned off at the circuit breaker or fuse box, remove the house junction box cover.
- Feed the dishwasher wiring into the junction box. Secure the wire with a UL/CSA approved strain relief.
- Strip and connect the wires according to one of the wiring diagrams below.
- Tighten the strain relief. Check to make sure the wire is secure.
- Replace the junction box cover and screws.



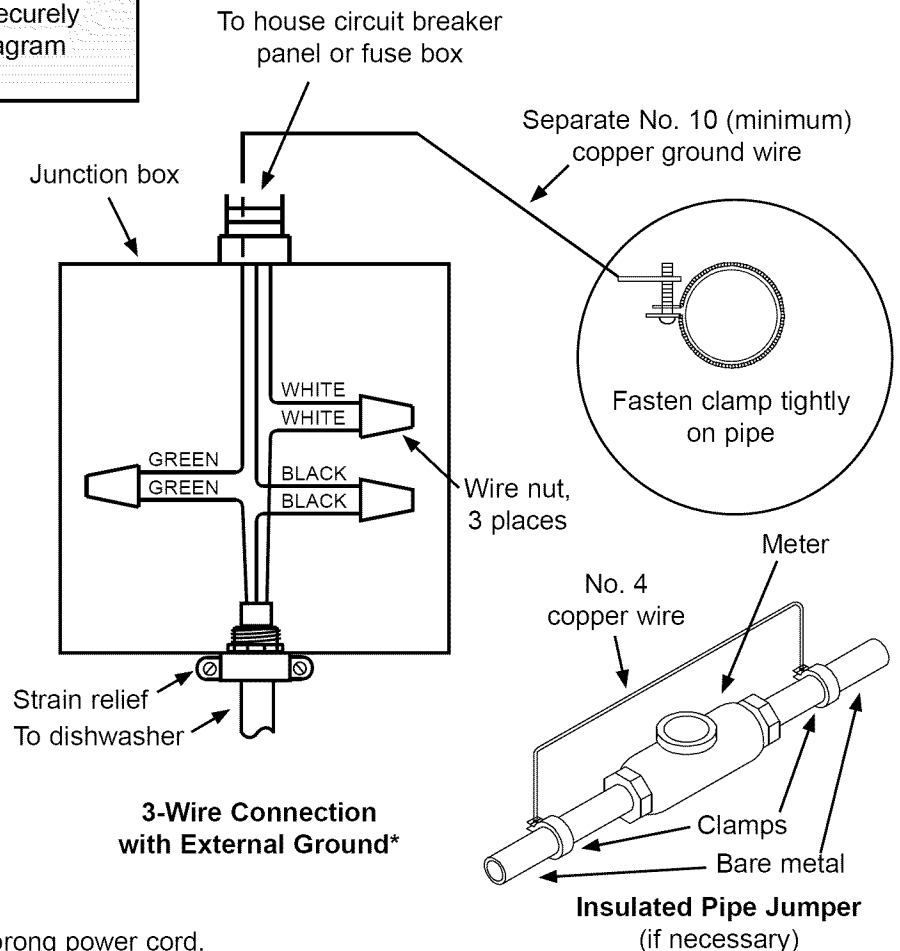
Feed the electric cord (or wire) and both hoses into the utility cutout(s); direction varies with installation.

WARNING

- Connect the dishwasher ground wire to a separate, properly grounded wire installed by a licensed electrician.
- A grounded cold water pipe must have metal continuity to an electrical ground and must not be interrupted by insulating materials. Any insulating materials must be jumped with a length of No. 4 copper wire securely clamped to bare metal at both ends. See diagram below.



Standard 3-Wire Connection to House Junction Box*



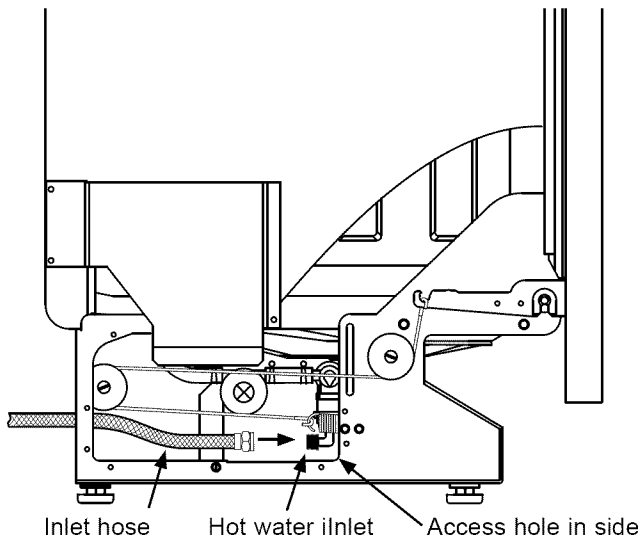
3-Wire Connection with External Ground*

* Does not apply when using a 3-prong power cord.

Installation Instructions

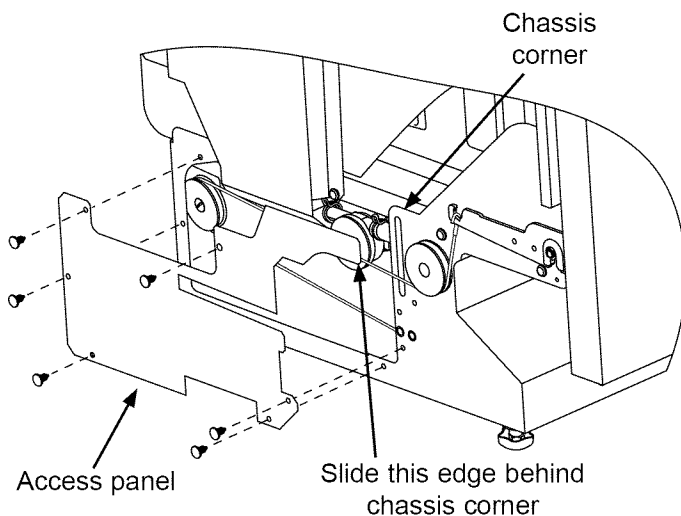
Plumbing Connections

1. Connect one end of the 3/8" flexible braided hot water inlet hose to the hot water supply valve.
2. Prepare to prime the hose by routing it through the back of the unit near the bottom and pull the end out of the utility access hole on the left side of the appliance. To prime, put the unconnected end of the hose over a bucket. Turn on the hot water valve to clean out any debris in the hose and to fill it with water. Turn the valve off.
3. Keeping as much water as possible in the hose, connect it to the hot water inlet through the access hole on left side of the chassis.



Dishwasher Left Side

4. Turn on the water valve and check both ends for leaks.
5. Using the included plastic fasteners, attach the left side access panel. **NOTE:** The top edge of the access panel slides behind the chassis corner as shown below.



6. Slide the drain hose into the utility access hole in the side of the appliance cut-out. See facing page.

Installing the Unit in the Cabinet

WARNING

Do not allow any material, including the hoses or electrical wiring to be directly behind the dishwasher while pushing it into the cut-out opening. Carefully pull the slack out of both hoses and the wiring from outside the cut-out during push back to prevent pinching. An electric shock hazard or water damage may result from pinched wires or hoses. Damage due to improper installation is not covered under warranty.

- Make sure the water valve is off before sliding the unit into the cabinet.
- Care should be exercised when the appliance is installed or removed to reduce the likelihood of damage to the power cord or hoses.
- Before sliding the unit into the cut-out, make sure the hoses and wiring are positioned in the utility cut-outs as shown on the facing page.

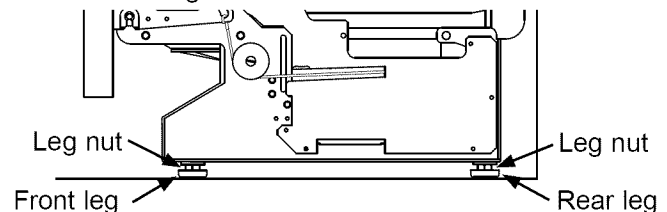
Level the Dishwasher

CAUTION

A level unit is very important to proper operation. Be sure to level the unit front to back and side to side.

Level the dishwasher using the adjustable legs on the front and back before sliding the unit into the cut-out.

1. Measure the height of the front and back of the cut-out with a tape measure.
2. Measure the height of the front and back of the dishwasher.
3. Using a crescent wrench, loosen the leg nut on all four legs and turn the legs to adjust them. The maximum height of the dishwasher must be 1/8" lower than the maximum height of the cut-out.



4. Remove the lower rack from the dishwasher and place a level on the tank side wall rack guides to verify the unit is level front to back. To verify left to right level, place a level on the front door jamb.
5. Adjust the legs until the unit is level and does not exceed the height specifications in step 3.
6. Tighten the leg nut to the chassis to secure the leg in place.

NOTE: The leg nuts can be removed to make the dishwasher lower. See page 10.

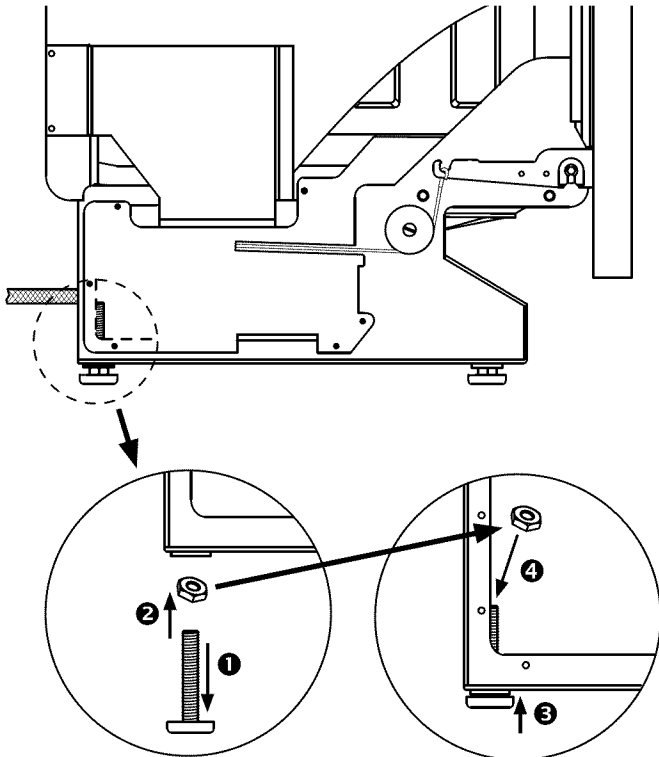
Installation Instructions

Installing the Unit in the Cabinet

(continued)

NOTE: The leg nuts can be removed to make the dishwasher lower. To do so:

1. Turn the leg until it comes out of the chassis.
2. Remove the nut from the leg.
3. Re-thread the leg into the chassis.
4. Reach inside the chassis from the back and thread the nut onto the top of the leg.



Slide the Dishwasher into the Cutout

- Pull the electrical wiring and both hoses (drain and water supply) through the utility access hole(s) in the side(s) of the cabinet as you slide the dishwasher into the opening. Stop when the dishwasher contacts the back wall or aligns with the front cabinet opening.

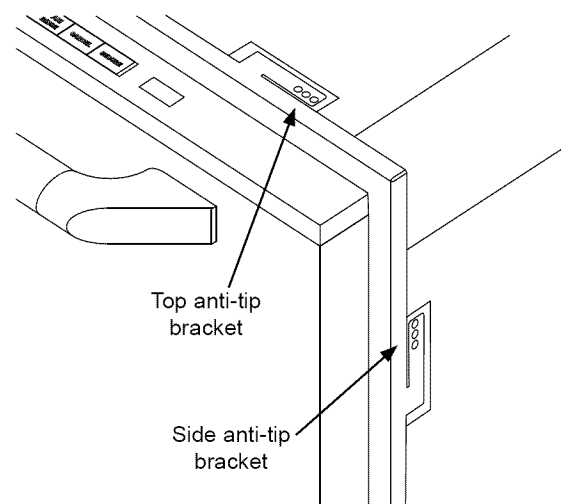
Attach the Anti-Tip Brackets:

CAUTION

- Make sure to anchor at least one anti-tip bracket on each side of the dishwasher.
- The anchoring material must be no more than 1/4" (6mm) from the anti-tip bracket.
- To prevent leaks, square the dishwasher in the cut-out. When attaching the anti-tip brackets make sure the tub and frame are not skewed so that the tub gasket contacts the door liner fully all the way around the door.
- Do not over torque the leveling legs. Doing so will distort the dishwasher chassis leading to door alignment problems and possible water damage.
- To prevent damaging the dishwasher, adjust the leveling legs only 1/2" (13 mm) at a time, per leg.

The anti-tip brackets protect against possible tipping caused by heavy bottom rack loads on the door.

1. There are anti-tip mounting locations provided around the top and sides of the dishwasher front frame.
2. To attach the anti-tip bracket anchors, insert the anchoring screws through the 1/2" diameter access holes inside the dishwashing compartment on the ceiling and the sides, near the front. Make sure that the anchoring screws pass through the anti-tip brackets located on the outside of the dishwasher.



Square up the installation:

- Check to make sure the dishwasher is square in the cutout by observing the door to tub alignment on each side. Readjust the top or bottom of the unit as needed to square up the unit.

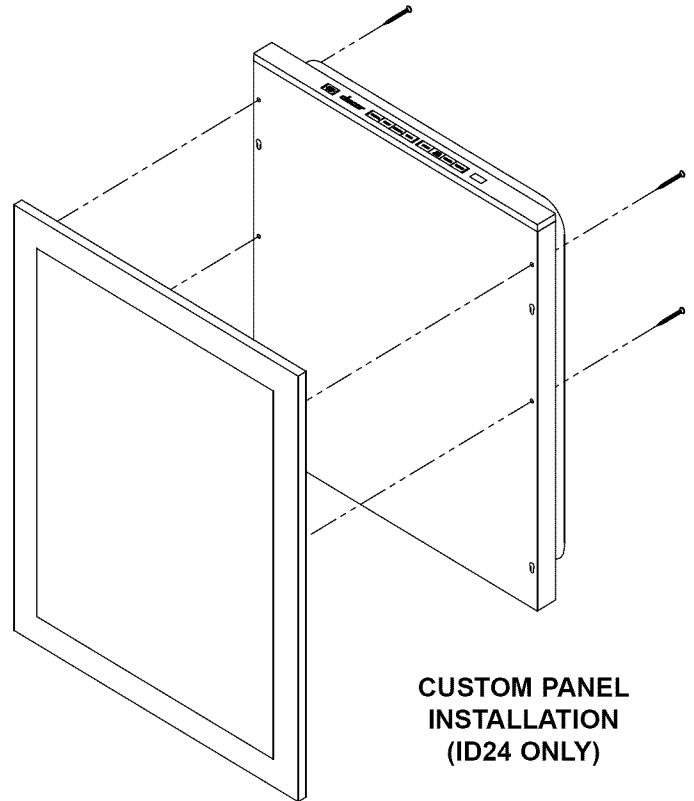
Installation Instructions

Cabinet Panel Installation (Model ID24 Only)

- For proper door spring operation, the maximum door panel weight, including hardware, is 12 lbs. (5.4 kg).
- Install the custom panel and/or custom toe kick according to the instructions on the included template (Dacor PN 101934). If the panel requires decorative door hardware, attach it before panel installation.

CAUTION

- To prevent corrosion and the possibility of the panel falling off, use only stainless steel screws where instructed.
- The provided mounting screws are designed for panels with a thickness of 5/8" to 3/4". Smaller panels may require different mounting hardware to prevent damage to the outside surface.
- Failure to construct the custom panel and/or toe kick as instructed on the template may result an improper fit and may prevent the door from closing properly.



Continued...

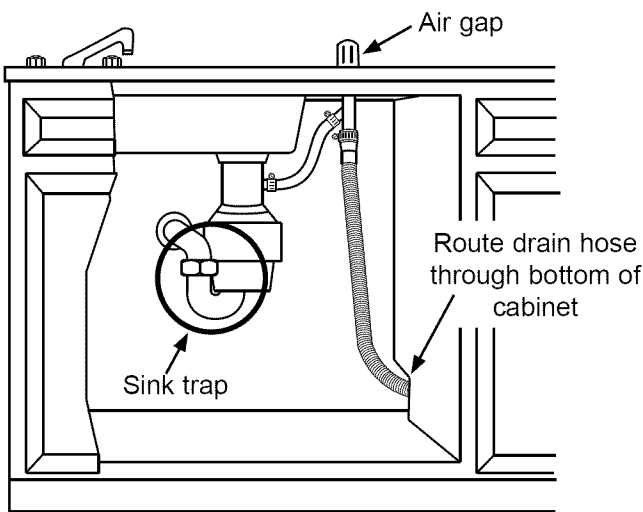
Installation Instructions

Drain Line Installation

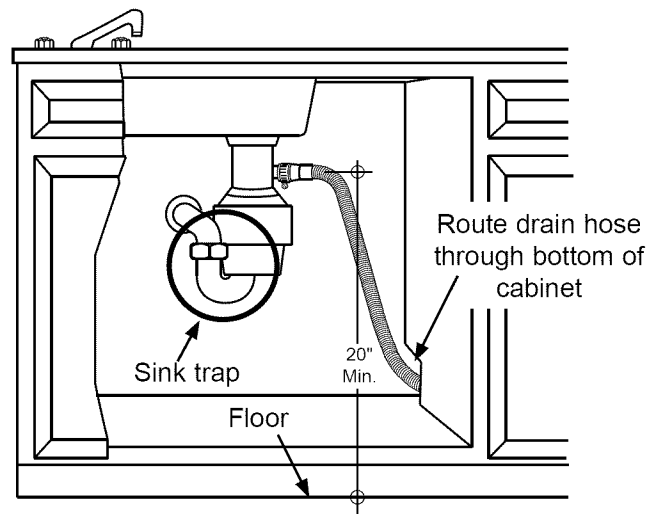
CAUTION

- For proper dishwasher operation and drainage, the drain line must be routed through the bottom of the cabinet and up to the drain or air gap connection. The drain hose or air gap outlet must connect above the sink trap.
- If required, the air gap must be installed at countertop level.

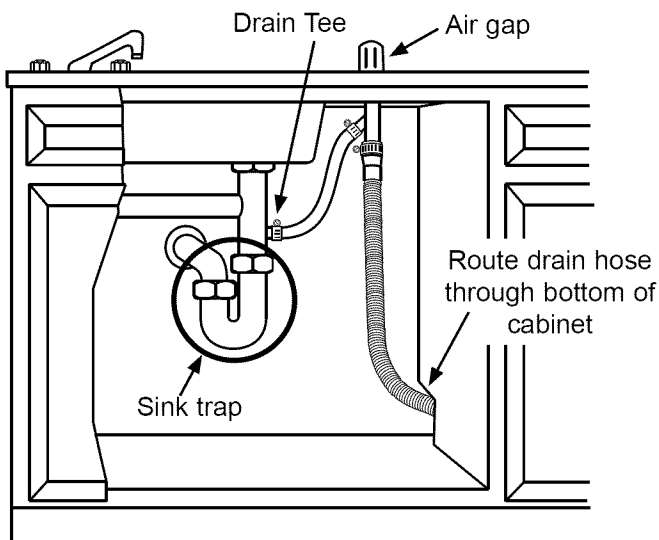
1. Connect the flexible drain line to the air gap or directly to the drain tee or disposal above the sink trap as shown below.
2. Tighten the holding clamp. For installations with an air gap, check to make sure the drain line from the air gap to the disposal/drain tee is connected and tight on both ends. If the drain is connected to a disposal, see the disposal manufacturer's installation instructions for correct drain hose mounting techniques.



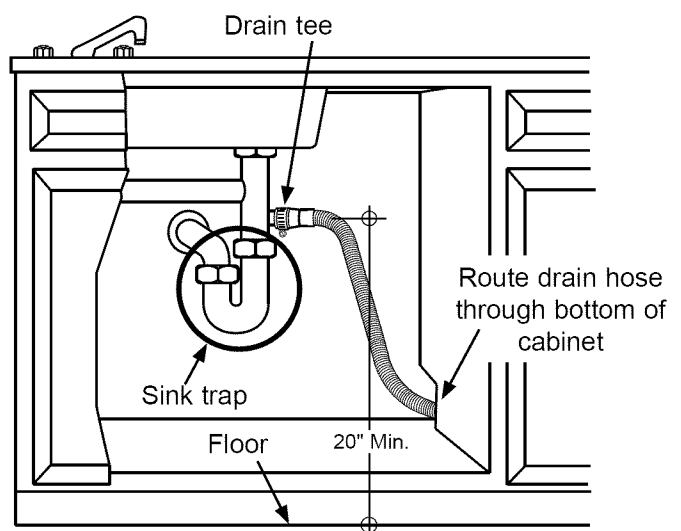
INSTALLATION WITH AIR GAP AND DISPOSAL



DISPOSAL INSTALLATION WITHOUT AIR GAP



INSTALLATION WITH AIR GAP AND WASTE TEE



WASTE TEE INSTALLATION WITHOUT AIR GAP

Installation Instructions

Verifying Proper Operation

WARNING

- To ensure a safe and proper installation, the following checklist should be completed by the installer to ensure that no part of the installation has been overlooked and the unit is working properly.
- Proper installation is the responsibility of the homeowner. The importance of proper installation of your Dacor dishwasher cannot be overemphasized.

Pre-verification Check List

- Confirm that the main power supply (at the circuit breaker panel or fuse box) is off.
- Remove all packing material from inside the dishwasher.
- Check the orientation of the bottom door seal. The seal “bulb” should be facing into the tank. If it is oriented towards the exterior of the door, open the dishwasher door fully and orientate the door seal so that it is facing into the tank.
- Familiarize yourself with operation of the dishwasher by reading the use and care manual.
- Remove any protective film, if present from the control panel, door panel, etc.
- Verify that all wiring is secure and is not being pinched or in contact with door springs or any other dishwasher components.
- Verify that the dishwasher is level by pulling the lower rack half way out. Let go of the rack and make sure it does not roll in or out. If it does, re-level the dishwasher.
- Add two quarts of water to the bottom of the dishwasher to lubricate the pump seal.
- Turn on the water supply and check for plumbing leaks. Tighten connections if necessary.
- Verify that the door springs do not come in contact with any dishwasher components.
- Verify the hot water temperature by turning on the hot water faucet at the sink. The water going to the dishwasher must be between 120 °F and 150 °F.

Wet Test Check List

- Plug in the power cord if the dishwasher is equipped with one. Turn on the main power supply.
- Program the dishwasher to run a short wash. See the use and care manual for specific operating instructions.
- Close the door completely.

- You should hear the dishwasher drain and then begin to fill with water. Wait approximately two (2) minutes, then carefully open the door to verify water is filling the dishwasher tank. If there is water present, close the door and continue the process. Should the water not fill the tank or the pump is not running, immediately push the **START/STOP** button to stop the dishwasher. Verify that the water supply valve is turned on, power is connected, and that main power supply is on.
- Check for leaks under the dishwasher. If any leaks are found, immediately push the **START/STOP** button and disconnect power. Tighten the water supply connections. Reconnect power and restart the cycle.
- Check for leaks around the door. A leak around the door could be caused by the dishwasher door rubbing or hitting against adjacent cabinets. Disconnect power and reposition and/or re-square the dishwasher if necessary. Restart the unit after repositioning.
- The dishwasher will drain after the first fill. Check the drain line for leaks. If leaks are found, immediately push the **START/STOP** button and disconnect the power plug. Tighten the drain connections. Reconnect power and restart the cycle.
- Open the dishwasher door and verify that most of the water has drained. If not, verify that the disposer plug has been removed and/or the air gap is not plugged.
- Run the dishwasher through another fill and drain cycle. Verify that there are no leaks.
- If the dishwasher does not operate correctly, see the instructions below.
- If the fill, wash and drain cycles operate properly, reinstall the toe kick. Adjust it so that the bottom of the chassis and the legs below the door are completely covered. If the toe kick does not cover the chassis and legs completely, install the included extended toe kick.
- Activate the warranty on-line or fill out the warranty card and mail it.

If the dishwasher fails to operate properly:

- Verify that power is supplied to the dishwasher.
- Check all plumbing connections.
- Repeat the above test.
- If the appliance still does not work, contact Dacor Distinctive Service at (877) 337-3226. Do not attempt to repair the appliance yourself. If you need service, be sure to have the model and serial numbers available when you call. See the inside cover for location.

Dacor is not responsible for the cost of correcting problems caused by a faulty installation.

dacor[®]
The Life of the Kitchen.[®]

Dacor • Phone: (800) 793-0093 • FAX: (626) 403-3130 • www.Dacor.com