

### SAVE AND READ THESE INSTRUCTIONS

### CONVENTIONS USED IN THESE INSTRUCTIONS



**WARNINGS:**

Must be followed carefully to avoid personal injury or damage.



**NOTES:**

Contain helpful hints and tips to facilitate the installation.

**IMPORTANT**

1. Before beginning installation, please thoroughly read and become familiar with these instructions.
2. Installation and service must be completed by a qualified installer or service agency.
3. Installer: Please leave these Installation Instructions with the owner.
4. Owner: Please keep these instructions for local electrical inspector's use and for future reference.
5. Read the accompanying use and care manual prior to operating this appliance.

**TABLE OF CONTENTS**

Important Safety Instructions .....	Page 1
Electrical Power Supply Requirements .....	Page 2
Product Dimensions .....	Page 2
Planning the Location .....	Page 3
Cabinet and Countertop Preparation .....	Page 3-4
Verifying the Package Contents .....	Page 5
Installing the Anti-tip Bracket .....	Page 5
Removing the Oven Door .....	Page 5
Removing the Kick Panel .....	Page 5
Electrical Connection .....	Page 5-6
Installing the Range .....	Page 7
Re-installing the Oven Door .....	Page 7
Verifying Proper Operation .....	Page 7

# IMPORTANT SAFETY INSTRUCTIONS

## WARNINGS:

1. Read all instructions before using the appliance.
2. If the information in this manual is not followed exactly, a fire or explosion may result causing property damage, personal injury, or death.
3. Improper installation, adjustment, alteration, service or maintenance can cause personal injury or property damage. Refer to these instructions and the accompanying use and care manual. For assistance or additional information, consult a qualified installer, service agency or dealer.
4. For your safety:
  - Do not store or use gasoline or other flammable vapors and liquids in the vicinity of this or any other appliance.
  - Do not obstruct the flow of ventilation air to the unit.
  - Keep appliance area clear and free from combustible material.
5. This appliance must not be used in combination with surface (countertop) ventilation systems. The use of an overhead hood, or Dacor raised vent is recommended for ventilation.
6. Disconnect the electrical supply before installing or servicing the appliance.
7. This appliance must be grounded. Connect only to a properly grounded electrical supply. Refer to "Electrical Requirements."
8. Install or locate this appliance only in accordance with these installation instructions.
9. Use this appliance only for its intended use as described in this manual. Do not use corrosive chemicals or vapors in this appliance. This type of appliance is not designed for industrial or laboratory use.
10. As with any appliance, close supervision is necessary when used by children.
11. Do not operate this appliance if it has a damaged electrical cord, plug, conduit or wires, if it is not working properly, or if it has been damaged or dropped.
12. Installation of this appliance must be performed by a qualified installer or service agency.
13. This appliance should be serviced only by qualified service personnel. Contact the nearest DACOR authorized servicer at (800) 793-0093, or at [www.Dacor.com](http://www.Dacor.com) for examination, repair or adjustment.
14. Some products, such as whole eggs, and sealed containers, such as closed glass jars, may explode and should not be heated on this cooktop.

## WARNING:

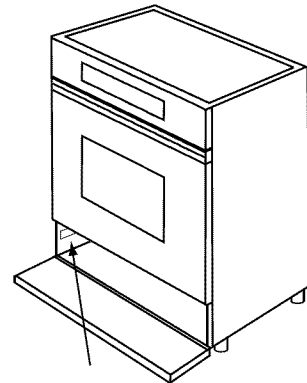
**NEVER** cover any slots, holes or passages in the oven bottom or cover an entire rack with materials such as aluminum foil. Doing so blocks air flow through the oven and may cause a fire hazard. Aluminum foil linings may also trap heat, causing a fire hazard.

## WARNING:

**NEVER** use this appliance as a space heater to heat or warm the room. Doing so may result in overheating of the appliance.

## Range Data Plate Location

The range data plate specifies the model number, serial number and electrical supply requirements. It is located on the left side wall inside the range storage compartment.



## Electrical Power Supply Requirements

It is the owner's responsibility to ensure that the electrical connection of this appliance is performed by a qualified electrician. The electrical installation, including minimum supply wire size and grounding, must be in accordance with the National Electric Code ANSI/NFPA 70-2002\* (or latest revision) and local codes and ordinances.

\*A copy of this standard may be obtained from:

National Fire Protection Association  
1 Batterymarch Park  
Quincy, Massachusetts 02269-9101

The correct voltage, frequency and amperage must be supplied to the appliance from a separate, grounded, circuit that is protected by a properly sized circuit breaker or time delay fuse.

Dedicated Electrical Circuit Required	Total Connected Load
120/240Vac, 4-wire, 60Hz., 50 Amp.	10.3kW (48.2 Amp.)

Electrical Requirements

The above electrical specifications are for reference only. See the range data plate for exact specifications. See page 1 for location.

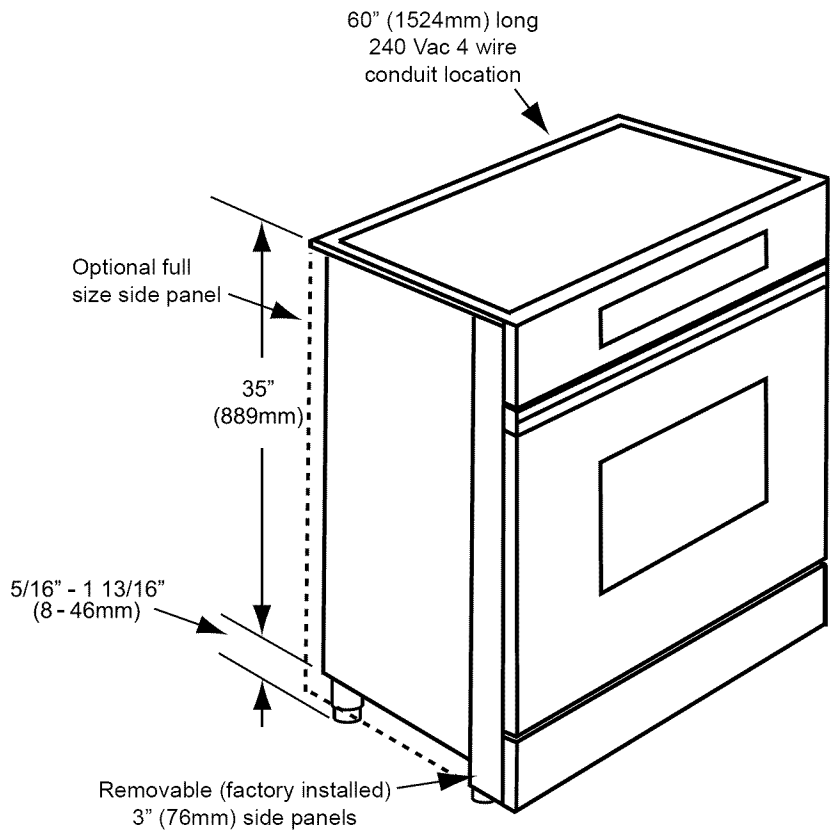
### WARNING:

If the electric service provided does not meet the product specifications, do not proceed with the installation. Call the selling dealer or a licensed electrician.

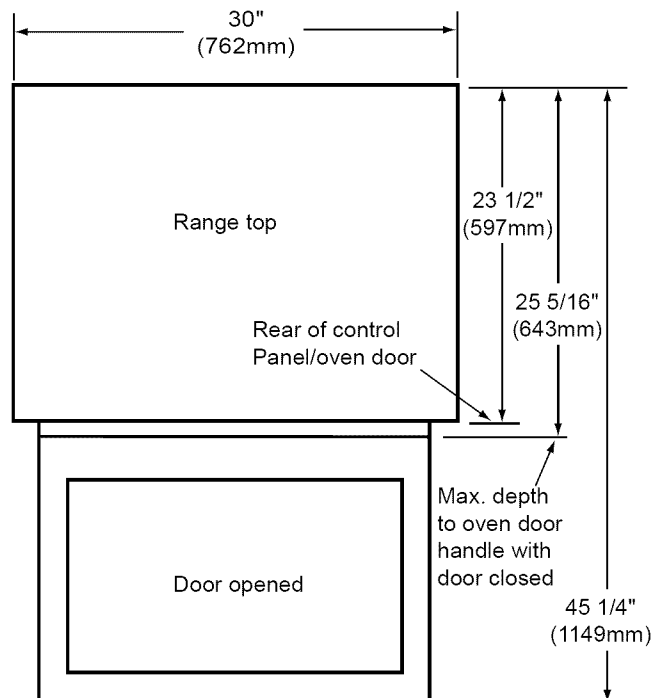
### NOTE:

If the appliance is connected to a 120/208 volt power supply, preheat times and cavity temperature recovery times will be increased slightly.

## Product Dimensions



Dimensions - Isometric View



Dimensions - Top View

## Planning the Location

### NOTE:

The shaded areas shown in the illustrations, denote the location of the electrical junction box/receptacle. This is the suggested location. For replacement purposes, the location of the existing electrical supply may be utilized provided that it does not interfere with the sides or rear of the range. Verify that the electrical service meets local building codes.

Access to the remote circuit breaker panel/fuse box, with the range in place and operating, must also be allowed for in the installation. Any openings in the wall behind the appliance and in the floor under the appliance must be sealed.

The electrical junction box/receptacle must be located so that it does not interfere with the range when it is installed and under operation. In addition, the junction box must be located so the range can be removed for service when the conduit supplied with the unit is attached to the junction box. Do not lengthen the conduit or wiring provided with the range.

All dimensions shown are based on standard American cabinets 36 inches (914mm) high at the finished countertop by 24 inches (610mm) deep, with a 25 inch (635mm) overall countertop depth. When installing the range into nonstandard cabinets, minimum clearances shown in the diagrams must be maintained.

## Cabinet and Countertop Preparation

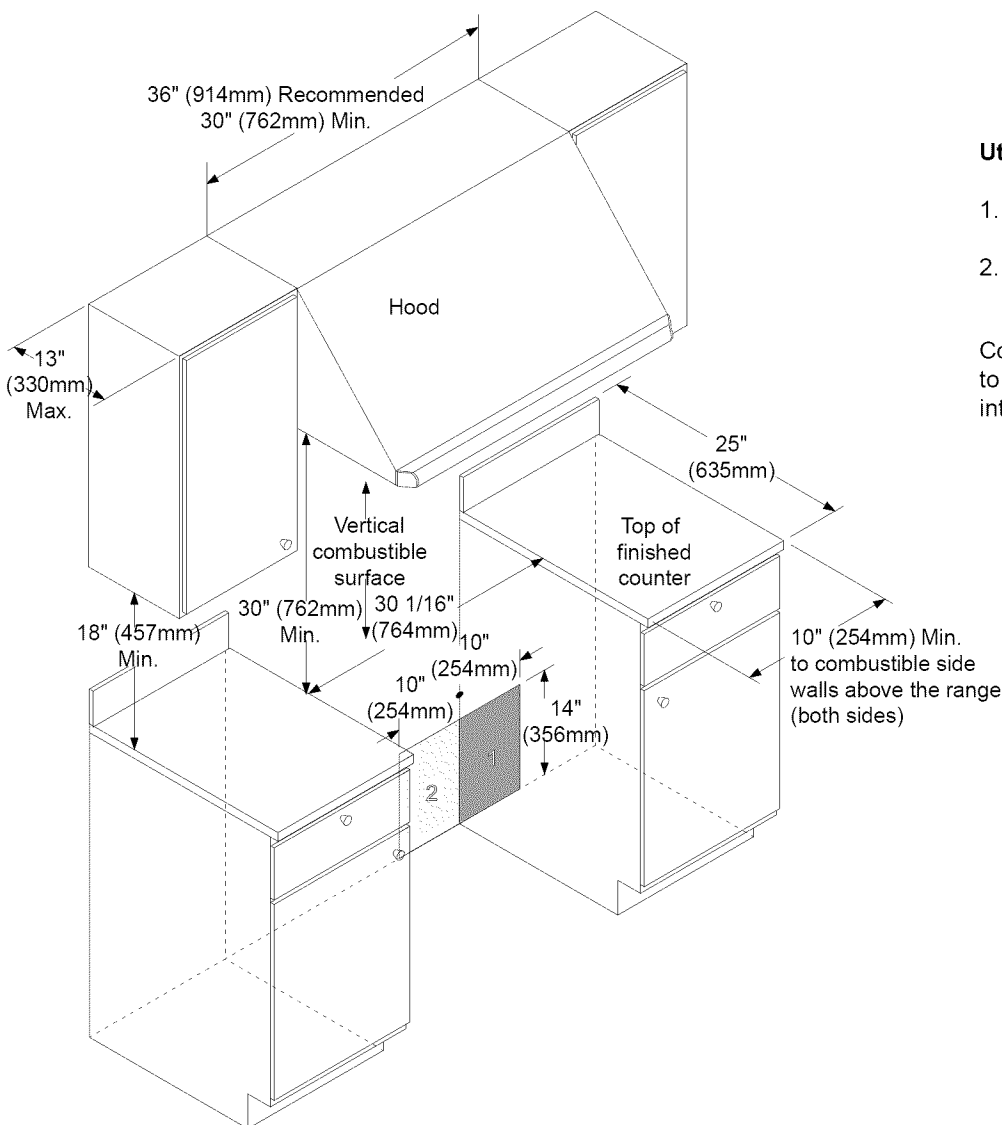
### NOTES:

1. If cabinet storage space is to be provided directly above the range, the risk of personal injury may be reduced by installing a ventilating hood that projects horizontally a minimum of 5 inches (127mm) beyond the face of the cabinets.
2. The range may be installed flush to the rear wall. We recommend installing a non-combustible material on the rear wall above the range and up to the vent hood. It is not necessary to install non-combustible materials behind the range below the countertop height.
3. The minimum distance from the sides of the range above the countertop to combustible side walls must be at least 10 inches (254mm).

### Utilities may be located:

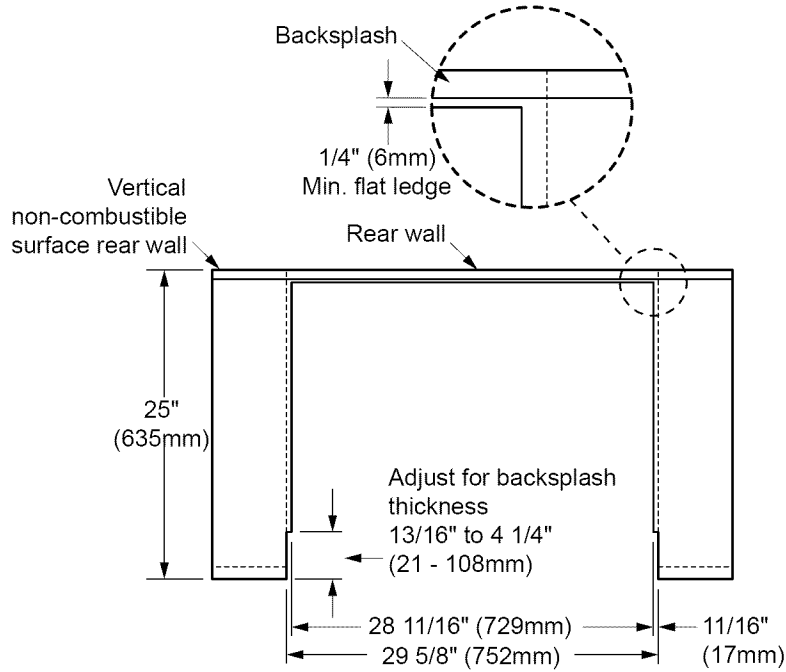
1. In the lower left corner of the adjacent right cabinet. (Recommended)
2. Alternate location, in the lower right corner behind the range.

Contact your local building department to verify compliance with local code interpretation.

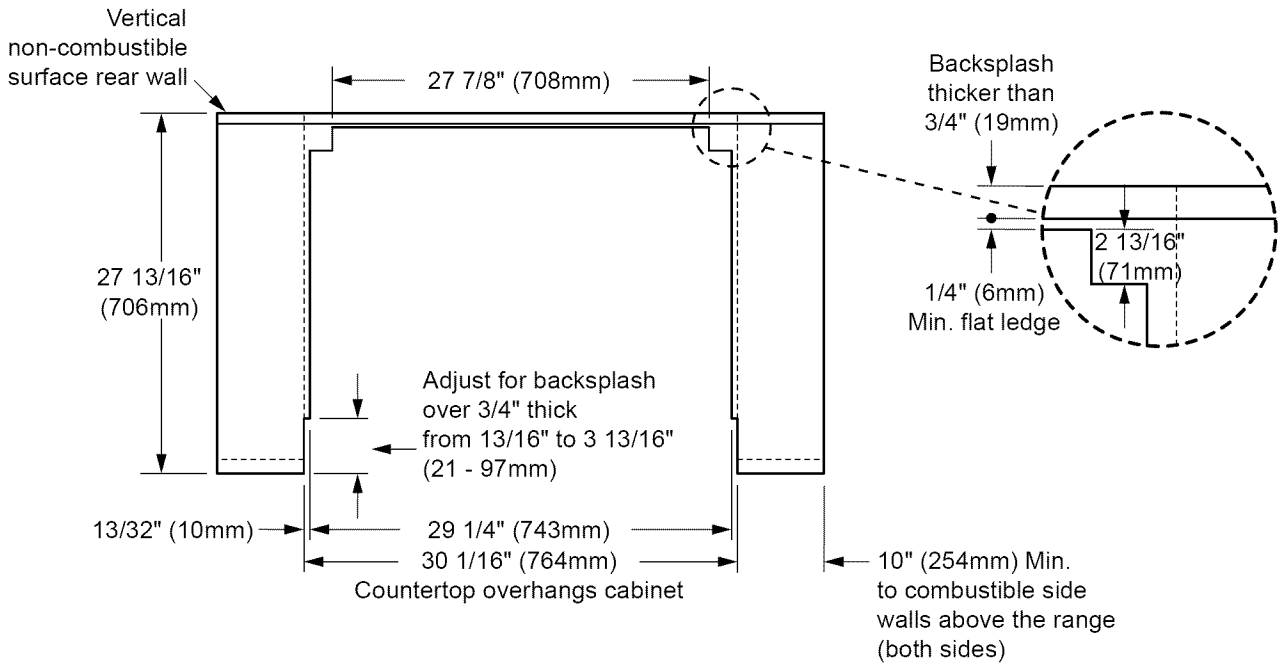


Freestanding Cabinet Dimensions and Clearances to Combustible Surfaces

**Cabinet and Countertop Preparation  
(Continued)**



**Top View - Slide-In, Self-Rimming Installation using 3" Side Panels  
(Part Numbers ARSR30 and ARSL30) with Backguard Removed**



**Top View - Downdraft ERV30 with Slide-In, Self-Rimming Installation using 3" Side Panels  
(Numbers ARSR30 and ARSL30), with Backguard Removed**

**⚠ WARNING:**

This appliance must be installed by a licensed plumber or gas fitter when installed within the Commonwealth of Massachusetts.

**Verifying the Package Contents**

If any item is missing or damaged, please contact your dealer immediately. Do not install a damaged or incomplete appliance.

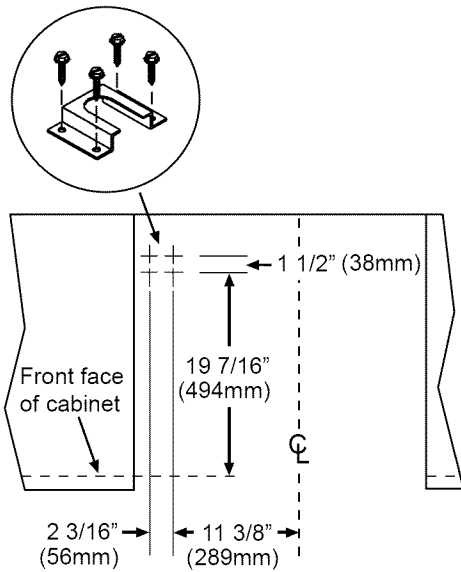
- Use and care manual
- Anti-tip bracket
- Broiler grill and pan
- Oven racks
- Razor blade scraper
- Dacor Cooktop Cleaning Cream

**Installing the Anti-Tip Bracket**

**⚠ WARNING:**

This appliance requires an anti-tip device. Before installing the range, you must locate and secure the anti-tip bracket to the floor.

When the range is slid into position in the cutout, the left rear leveling leg slides into this bracket to prevent the unit from tipping forward. The bracket location shown here will position the rear edge of the range top frame flush to the rear wall. From this position, the bracket allows for up to 5/8" (16mm) of forward movement of the range.



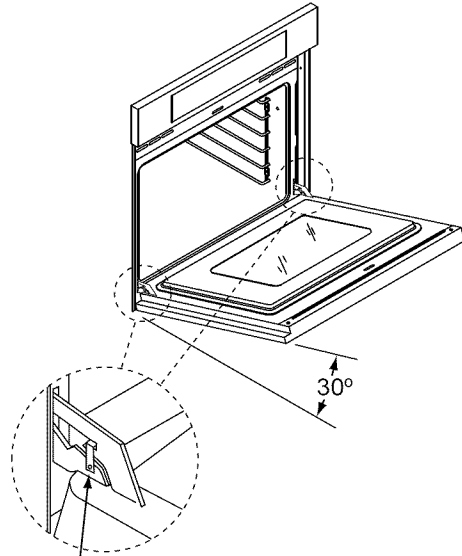
**Top View - Location of Anti-Tip Bracket Based on 24" Cabinet Depth**

**Removing the Oven Door**

**⚠ WARNINGS:**

1. Do not attempt to disengage the hinge catches with the door removed from the oven. The hinge springs could release causing personal injury.
2. Do not lift or carry the oven door by the door handle.

Open the door to its fully opened position. Rotate the catch over the retaining arm on each hinge. Lift the oven door to about a 30 degree angle from the horizontal position. Pull the door away from the oven while continuing to lift.



- 1) To remove door, rotate catch up
- 2) Lift door up to 30° angle, then pull door away from the oven

**Removing the Oven Door**

**Remove the Kick Panel**

Remove the screw at each top corner of the kick panel. Lift up slightly on the panel and pull forward to remove.

**Electrical Connection**

**📄 NOTE:**

See the range data plate for electrical specifications. See page 1 for location.

**⚠ WARNINGS:**

1. All of these range models must be connected to a grounded, metallic, permanent wiring system. Alternatively, a grounding conductor should be connected to the grounding terminal or lead on the appliance.
2. Do not use an extension cord with this appliance. Such use may result in fire, electrical shock, or other personal injury.
3. Do not install a fuse in the neutral or ground circuit. A fuse in the neutral or ground circuit may result in an electrical shock hazard.
4. Do not ground the appliance to a gas supply pipe or hot water pipe.
5. A grounded cold water pipe must have metal continuity to electrical ground and must not be interrupted by insulating materials. Any insulating materials must be jumped with a length of No. 4 copper wire securely clamped to bare metal at both ends.

**Connection Instructions: This appliance must be electrically grounded.**

With the range positioned directly in front of the cabinet cutout, feed the appliance conduit into the electrical junction box. Then, depending upon local codes, utilize one of the techniques on the facing page to connect the appliance to the electrical power supply.

**Option 1 - Connecting to a Four-Wire Electrical System. (Recommended)**

1. Separate the green and white appliance wires.
2. Connect the white appliance wire to the neutral (white) supply wire in the junction box.
3. Connect the black appliance wire to the black (L1) power supply wire in the junction box.
4. Connect the red appliance wire to the red (L2) power supply wire in the junction box.
5. Connect the green appliance wire to the green house grounding wire in the junction box.

**Option 2 - Connecting the Green Appliance Wire to the Neutral (White) Supply Wire – Where Local Codes Permit**

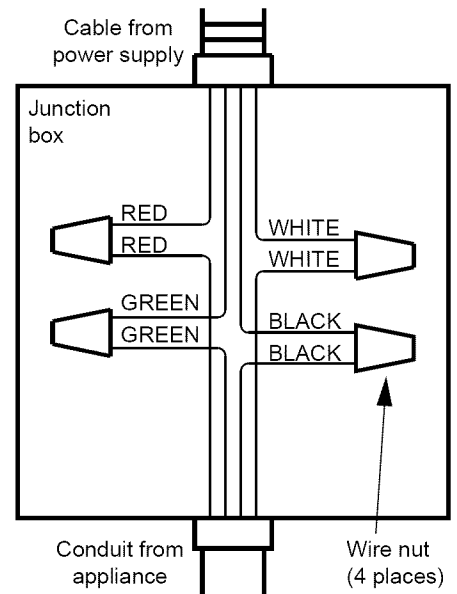


**WARNING:**  
**\*\*Do not connect the green appliance wire to the neutral (white) supply wire unless local building codes permit.**

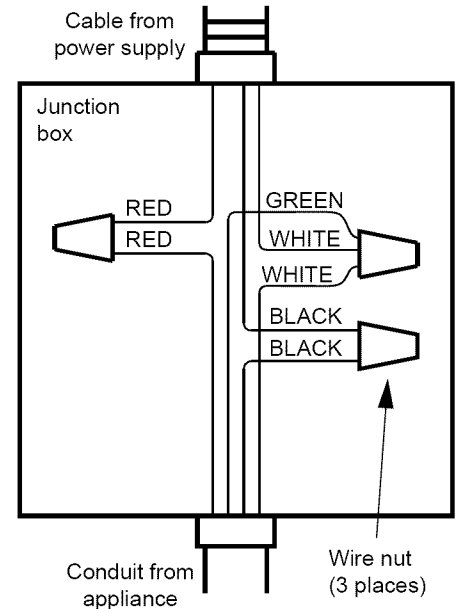
1. Connect the green and white appliance wires to the neutral (white) supply wire in the junction box.
2. Connect the black appliance wire to the black (L1) power supply wire in the junction box.
3. Connect the red appliance wire to the red (L2) power supply wire in the junction box.

**Option 3 - Connecting the Green Appliance Wire to a Grounded Supply Wire or a Grounded Cold Water Pipe – Where Local Codes Permit**

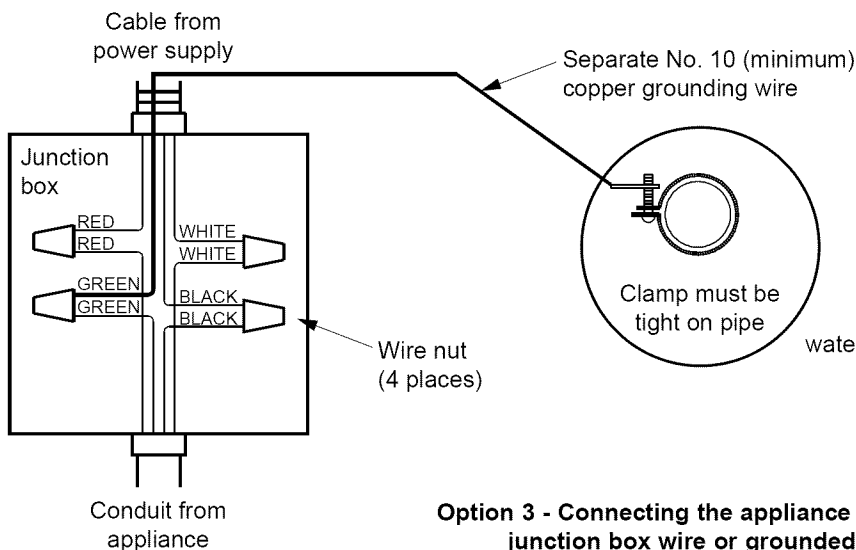
1. Separate the green and white appliance wires.
2. Connect the white appliance wire to the neutral (white) supply wire in the junction box.
3. Connect the black appliance wire to the black (L1) power supply wire in the junction box.
4. Connect the red appliance wire to the red (L2) power supply wire in the junction box.
5. Connect the green appliance wire to a grounded supply wire in the junction box or to a grounded cold water pipe.
6. If connecting to a grounded cold water pipe, a separate copper grounding wire (No. 10 minimum) must be connected to a grounded cold water pipe by means of a clamp and then to an external grounding connector screw.
7. A grounded cold water pipe must have metal continuity to electrical ground and must not be interrupted by insulating materials. Any insulating materials must be jumped with a length of No. 4 copper wire securely clamped to bare metal at both ends.



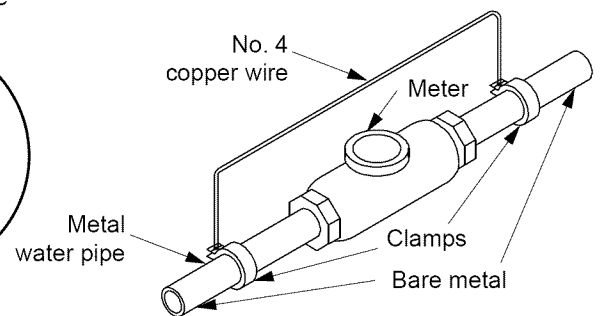
**Option 1 - Connecting the appliance to a four-wire power supply**



**Option 2 - Connecting the appliance to a three-wire power supply\*\***



**Option 3 - Connecting the appliance ground to a grounded junction box wire or grounded cold water pipe**



## Installing the Range

Measure from the floor to the countertop and adjust the leveling legs as required to position the top frame at the desired height, based on the cabinet and countertop installation. Carefully slide the range into position in the cutout. The left rear leveling leg should engage the anti-tip bracket.

When the range is to be installed as a "slide-in, self rimming" (with the range top overhanging the countertop cutout), measure from the floor to the countertop. Adjust the leveling legs to position the bottom edge of the range top frame approximately 1/8" (13mm) above the level of the countertop. This will allow the range to slide over the countertop. Carefully slide the range into position in the cutout. Again, the left rear leveling leg should engage the anti-tip bracket. To lower the range onto the countertop, turn the leveling legs counterclockwise. Lower the range until the bottom of the range top just contacts the countertop. Do not allow the full weight of the range to hang on the counter.

## Re-installing the Oven Door

Grasp the oven door on opposite sides and lift it until the door hinges are aligned with the openings in the oven frame. Holding the door at about a 30° angle from the horizontal, slide the hinges into the openings until the bottom hinge arms drop fully into the hinge receptacles. Lower the door to the fully opened position, and then rotate the two hinge catches toward the oven. Open and close the door completely to ensure that it is properly installed. Peel off the protective layer of plastic that covers the door panel.

## Verify Proper Operation

### NOTE:

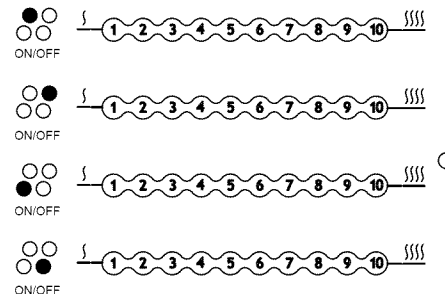
**Prior to operating the cooktop or oven sections of the range, please read the accompanying use and care manual carefully. Important safety, service and warranty information is contained within this manual.**

### NOTE:

**When the unit is powered on for the first time, the cooktop control will go through a self-check routine. When the self-check is complete, the cooktop control will go into SECURE mode. See the use and care manual for secure mode instructions.**

To turn on the power supply to the range. Set the time of day by pressing the "CLOCK" key and then pressing either of the "TIME•TEMP" keys ("+" or "-" keys) to advance or reduce the time in the display in the desired setting.

Turn an element, tap the "ON/OFF" key then tap the slew up/down area of the desired element. The element will come on at a setting of the number touched and may be adjusted up or down by slewing up or down on the appropriate key area with your finger. To activate the Dual Outer Element, tap the circle key at the end of the slew area (second row), then tap or slew your finger up or down on the second row of numbers. The outer ring element will come on at a setting of the number touched last. To turn the element off, tap the "ON/OFF" key. You may turn off all active elements at the same time by tapping twice on the "CANCEL•SECURE" key located below the controls.



### "SLEW UP/DOWN" Element Control

Within 5 seconds, the element should be fully energized and glowing red. Verify that the residual heat indicator light comes on in conjunction with the proper element within approximately 30 seconds.

If either the oven or cooktop does not operate properly, follow these troubleshooting steps:

1. Verify that power is supplied to the range.
2. Check the electrical connections to ensure that the installation has been completed correctly.
3. Repeat the above tests.
4. If the appliance still does not work, contact Dacor Distinctive Service at (877) 337-3226. Do not attempt to repair the appliance yourself. Have the model and serial numbers available when you call. See page 1 for location.

**Dacor is not responsible for the cost of correcting problems caused by a faulty installation.**



## NOTES



All specifications subject to change without notice. Dacor assumes no liability for changes to specifications.

***dacor***<sup>®</sup>  
The Life of the Kitchen.<sup>®</sup>

