

# Operator's Manual



3800 PSI\*

4.0 GPM

## PRESSURE WASHER

Model No. 580.752382



PRESSURE WASHER  
CUSTOMER HELPLINE  
1-800-222-3136

HOURS: Mon. - Fri. 8 a.m. to 5 p.m. (CT)

 <b>WARNING</b>
Before using this product, read this manual and follow all Safety Rules and Operating Instructions.

 <b>ADVERTENCIA</b>
Antes de utilizar el producto, lea este manual y siga todas las Reglas de Seguridad e Instrucciones de Uso.

- Safety
- Assembly
- Operation
- Maintenance
- Parts
- Español, p. 36

\* This pressure washer is rated in accordance to the Pressure Washer Manufacturers Association (PWMA) standard PW101 (Testing and Rating Performance of Pressure Washers).

\* Esta limpiadora a presión está clasificada conforme a la norma PW101 (comprobación y clasificación de rendimiento de limpiadoras a presión) de la Asociación de fabricantes de bombas a presión (Pressure Washer Manufacturers Association, PWMA).

Sears Brands Management Corporation, Hoffman Estates, IL 60179 U.S.A.  
Visit our Craftsman website: [www.craftsman.com](http://www.craftsman.com)



# TABLE OF CONTENTS

WARRANTY .....	2	MAINTENANCE .....	16-22
REPAIR PROTECTION AGREEMENT .....	2	STORAGE .....	23-24
SAFETY RULES .....	3-5	TROUBLESHOOTING .....	25
FEATURES AND CONTROLS .....	6	REPLACEMENT PARTS .....	26-33
ASSEMBLY .....	7-10	EMISSION CONTROL WARRANTY .....	34-35
OPERATION .....	11-15	ESPAÑOL .....	36-59
SPECIFICATIONS .....	16	HOW TO ORDER PARTS .....	BACK PAGE

## WARRANTY

### CRAFTSMAN TWO YEAR LIMITED WARRANTY

FOR TWO YEARS from the date of purchase, this product is warranted against any defects in material or workmanship. Defective product will receive free repair or replacement if repair is unavailable.

For warranty coverage details to obtain free repair or replacement, visit the web site: [www.craftsman.com](http://www.craftsman.com)

This warranty does not cover the spray guns, hoses, nozzle extensions, nozzles, filters and spark plugs, which are expendable parts that can wear out from normal use within the warranty period.

This warranty is void if this product is ever used while providing commercial services or if rented to another person.

This warranty gives you specific legal rights, and you may also have other rights which vary from state to state.

**Sears Brands Management Corporation, Hoffman Estates, IL 60179**

## REPAIR PROTECTION AGREEMENT

*Congratulations on making a smart purchase.*

Your new Craftsman® product is designed and manufactured for years of dependable operation. But like all products, it may require repair from time to time. That's when having a Repair Protection Agreement can save you money and aggravation.

### Here's what the Repair Protection Agreement\* includes:

- **Expert service** by our 10,000 professional repair specialists
- **Unlimited service and no charge** for parts and labor on all covered repairs
- **Product replacement** up to \$1500 if your covered product can't be fixed
- **Discount of 10%** from regular price of service and related installed parts not covered by the agreement; also, 10% off regular price of preventive maintenance check
- **Fast help by phone** – we call it Rapid Resolution – phone support from a Sears representative. Think of us as a “talking owner’s manual”.

Once you purchase the Repair Protection Agreement, a simple phone call is all it takes for you to schedule service. You can call anytime day or night, or schedule a service appointment online.

The Repair Protection Agreement is a risk-free purchase. If you cancel for any reason during the product warranty period, we will provide a full refund. Or, a prorated refund anytime after the product warranty period expires. Purchase your Repair Protection Agreement today!

**Some limitations and exclusions apply. For prices and additional information in the U.S.A. call 1-800-827-6655.**

**\* Coverage in Canada varies on some items. For full details, call Sears Canada at 1-800-361-6665.**

### Sears Installation Service

*For Sears professional installation* of home appliances, garage door openers, water heaters, and other major home items, in the U.S.A. or Canada call **1-800-4-MY-HOME®**.

# SAFETY RULES



Read this manual carefully and become familiar with your pressure washer. Know its applications, its limitations, and any hazards involved.

## Important Safety Information

### Safety Symbols and Meanings



Operator's Manual



Toxic Fumes



Electrical Shock



Slippery Surface



Fall



Fluid Injection



Fire



Explosion



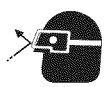
Kickback



Projectile



Moving Parts



Flying Objects



Chemical Burn



Hot Surface

▲ The safety alert symbol indicates a potential personal injury hazard. A signal word (DANGER, WARNING, or CAUTION) is used with the alert symbol to designate a degree or level of hazard seriousness. A safety symbol may be used to represent the type of hazard. The signal word *NOTICE* is used to address practices not related to personal injury.

▲ **DANGER** indicates a hazard which, if not avoided, *will* result in death or serious injury.

▲ **WARNING** indicates a hazard which, if not avoided, *could* result in death or serious injury.

▲ **CAUTION** indicates a hazard which, if not avoided, *could* result in minor or moderate injury.

**NOTICE** address practices not related to personal injury.

▲ **WARNING** The engine exhaust from this product contains chemicals known to the State of California to cause cancer, birth defects, or other reproductive harm.

▲ **WARNING** This product contains lead and lead compounds, known to the State of California to cause birth defects or other reproductive harm. *Wash your hands after handling this product.*

▲ **WARNING** Running engine gives off carbon monoxide, an odorless, colorless, poison gas. Breathing carbon monoxide could result in death, serious injury, headache, fatigue, dizziness, vomiting, confusion, seizures, nausea or fainting. Some chemicals or detergents could be harmful if inhaled or ingested, resulting in death, serious injury, nausea, fainting or poisoning.

- Operate this product **ONLY** outdoors.
- Keep exhaust gas from entering a confined area through windows, doors, ventilation intakes, or other openings.
- **DO NOT** operate this product inside any building, carport, porch, mobile equipment, marine applications, or enclosure, even if windows and doors are open.
- Use a respirator or mask whenever there is a chance that vapors may be inhaled when using chemicals.
- Read all instructions with mask so you are certain the mask will provide the necessary protection against inhaling harmful vapors when using chemicals.

▲ **WARNING** Chemical Burn Hazard. Chemicals could cause burns resulting in death, serious injury, and/or property damage.

- **DO NOT** use caustic liquid with pressure washer.
- Use **ONLY** pressure washer safe detergents/soaps. Follow all manufacturers instructions.

**▲ WARNING** Starter cord kickback (rapid retraction) will pull hand and arm toward engine faster than you can let go which could cause broken bones, fractures, bruises, or sprains resulting in serious injury.



- NEVER pull starter cord without first relieving spray gun pressure.
- When starting engine, pull cord slowly until resistance is felt and then pull rapidly to avoid kickback.
- After each starting attempt, where engine fails to run, always point spray gun in safe direction, press red button and squeeze spray gun trigger to release high pressure.
- Firmly grasp spray gun with both hands when using high pressure spray to avoid injury when spray gun kicks back.

**▲ WARNING** Risk of electrocution. Contact with power source could cause electric shock or burn resulting in death or serious injury.



- NEVER spray near power source.

**▲ WARNING** The high pressure stream of water that this equipment produces could cut through skin and its underlying tissues, resulting in serious injury and possible amputation.



Spray gun traps high water pressure, even when engine is stopped and water is disconnected, which could result in serious injury.

- If cut by fluid, call physician immediately. DO NOT treat as a simple cut.
- DO NOT allow CHILDREN to operate pressure washer.
- NEVER repair high pressure hose. Replace it.
- NEVER repair leaking connections with sealant of any kind. Replace o-ring or seal.
- NEVER connect high pressure hose to nozzle extension.
- Keep high pressure hose connected to pump and spray gun while system is pressurized.
- ALWAYS point spray gun in safe direction, press red button and squeeze spray gun trigger to release high pressure, every time you stop engine.
- NEVER aim spray gun at people, animals, or plants.
- DO NOT secure spray gun in open position.
- DO NOT leave spray gun unattended while machine is running.
- NEVER use a spray gun which does not have a trigger lock or trigger guard in place and in working order.
- Always be certain spray gun, nozzles and accessories are correctly attached.

**▲ WARNING** Fuel and its vapors are extremely flammable and explosive which could cause burns, fire or explosion resulting in death, serious injury and/or property damage.



#### WHEN ADDING OR DRAINING FUEL

- Turn pressure washer engine OFF and let it cool at least 2 minutes before removing fuel cap. Loosen cap slowly to relieve pressure in tank.
- Fill or drain fuel tank outdoors.
- DO NOT overfill tank. Allow space for fuel expansion.
- If fuel spills, wait until it evaporates before starting engine.
- Keep fuel away from sparks, open flames, pilot lights, heat, and other ignition sources.
- Check fuel lines, tank, cap and fittings frequently for cracks or leaks. Replace if necessary.
- DO NOT light a cigarette or smoke.

#### WHEN STARTING EQUIPMENT

- Ensure spark plug, muffler, fuel cap, and air cleaner are in place.
- DO NOT crank engine with spark plug removed.

#### WHEN OPERATING EQUIPMENT

- DO NOT operate this product inside any building, carport, porch, mobile equipment, marine applications, or enclosure.
- DO NOT tip engine or equipment at angle which causes fuel to spill.
- DO NOT spray flammable liquids.

#### WHEN TRANSPORTING, MOVING OR REPAIRING EQUIPMENT

- Transport/move/repair with fuel tank EMPTY or with fuel shutoff valve OFF.
- DO NOT tip engine or equipment at angle which causes fuel to spill.
- Disconnect spark plug wire.

#### WHEN STORING FUEL OR EQUIPMENT WITH FUEL IN TANK

- Store away from furnaces, stoves, water heaters, clothes dryers, or other appliances that have pilot light or other ignition source because they could ignite fuel vapors.

**▲ WARNING** Exhaust heat/gases could ignite combustibles, structures or damage fuel tank causing a fire, resulting in death, serious injury and/or property damage.



Contact with muffler area could cause burns resulting in serious injury.

- DO NOT touch hot parts and AVOID hot exhaust gases.
- Allow equipment to cool before touching.
- Keep at least 5 feet (152 cm) of clearance on all sides of pressure washer including overhead.
- It is a violation of California Public Resource Code, Section 4442, to use or operate the engine on any forest-covered, brush-covered, or grass-covered land unless the exhaust system is equipped with a spark arrester, as defined in Section 4442, maintained in effective working order. Other states or federal jurisdictions may have similar laws.

Contact the original equipment manufacturer, retailer, or dealer to obtain a spark arrester designed for the exhaust system installed on this engine.

- Replacement parts must be the same and installed in the same position as the original parts.

**▲ WARNING** Use of pressure washer could create puddles and slippery surfaces causing you to fall resulting in death or serious injury.



Kickback from spray gun could cause you to fall resulting in death or serious injury.

- Operate pressure washer from a stable surface.
- The cleaning area should have adequate slopes and drainage to reduce the possibility of a fall due to slippery surfaces.
- Be extremely careful if you must use the pressure washer from a ladder, scaffolding, or any other similar location.
- Firmly grasp spray gun with both hands when using high pressure spray to avoid injury when spray gun kicks back.

**▲ WARNING** Unintentional sparking could cause fire or electric shock resulting in death or serious injury.



**WHEN ADJUSTING OR MAKING REPAIRS TO YOUR PRESSURE WASHER**

- Disconnect the spark plug wire from the spark plug and place the wire where it cannot contact spark plug.

**WHEN TESTING FOR ENGINE SPARK**

- Use approved spark plug tester.
- DO NOT check for spark with spark plug removed.

**▲ WARNING** Starter and other rotating parts could entangle hands, hair, clothing, or accessories resulting in serious injury.



- NEVER operate pressure washer without protective housing or covers.
- DO NOT wear loose clothing, jewelry or anything that could be caught in the starter or other rotating parts.
- Tie up long hair and remove jewelry.

**▲ WARNING** Risk of eye or bodily injury. Spray could splash back or propel objects resulting in serious injury.



- Always wear indirect vented (chemical splash) safety goggles marked to comply with ANSI Z87.1 when using or in vicinity of this equipment.
- NEVER substitute safety glasses or dry-condition goggles for indirect vented safety goggles.
- Always wear protective clothing such as a long-sleeved shirt, long pants and close-toed shoes.
- NEVER operate pressure washer when barefoot or wearing sandals or shorts.

**▲ CAUTION** Excessively high operating speeds could result in minor injury and/or pressure washer damage. Excessively low speeds impose a heavy load.

- DO NOT tamper with governor spring, links or other parts to increase engine speed. Pressure washer supplies correct rated pressure and flow when running at governed speed.
- DO NOT modify pressure washer in any way.

**NOTICE** High pressure spray could damage fragile items including glass.

- DO NOT point spray gun at glass when using red (0°) spray tip.
- NEVER aim spray gun at plants.

**NOTICE** Improper treatment of pressure washer could damage it and shorten its life.

- If you have questions about intended use, ask dealer or contact qualified service center.
- NEVER operate units with broken or missing parts, or without protective housing or covers.
- DO NOT by-pass any safety device on this machine.
- DO NOT tamper with governed speed.
- DO NOT operate pressure washer above rated pressure.
- DO NOT modify pressure washer in any way.
- Before starting pressure washer in cold weather, check all parts of the equipment to be sure ice has not formed there.
- NEVER move machine by pulling on hoses. Use handle provided on unit.
- This equipment is designed to be used with Sears authorized parts **ONLY**. If equipment is used with parts that DO NOT comply with minimum specifications, user assumes all risks and liabilities.

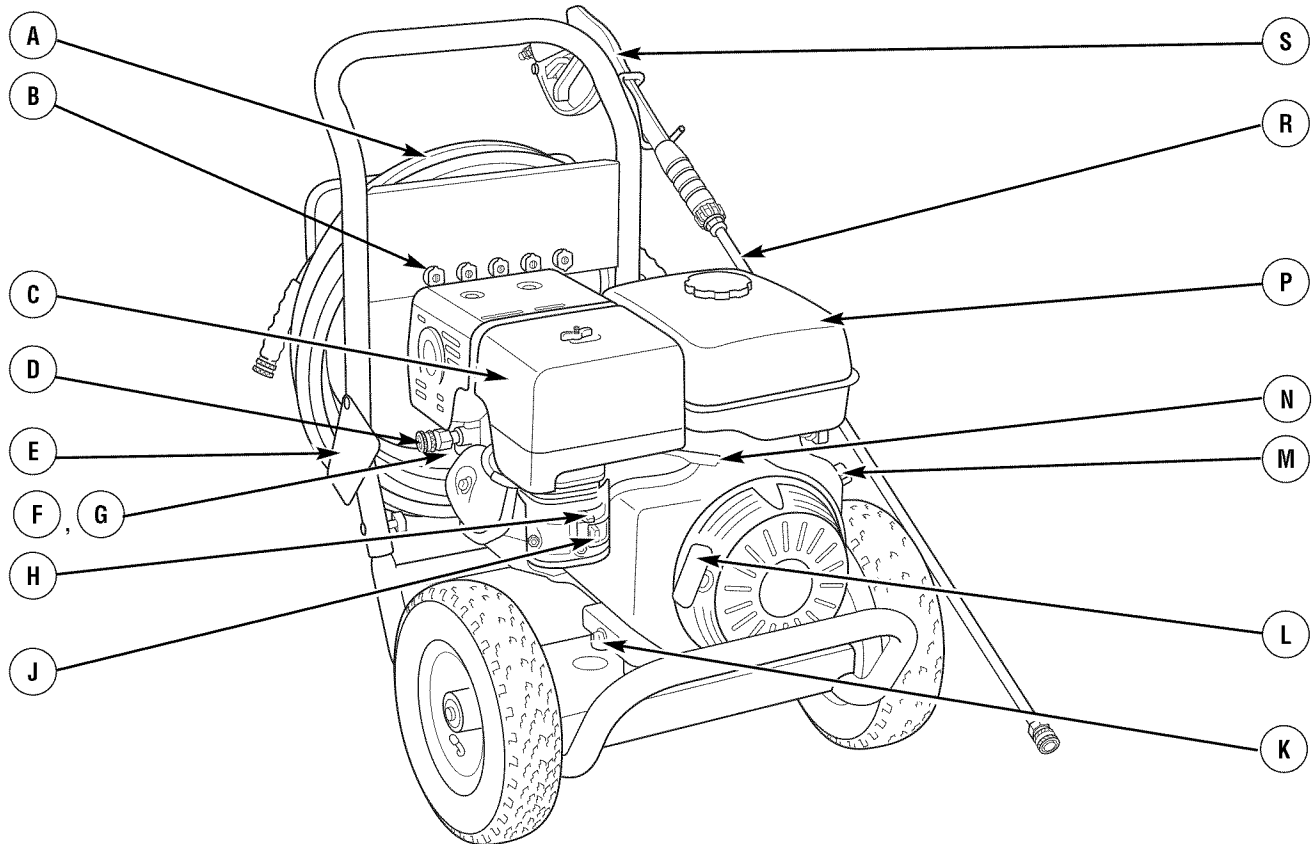
# FEATURES AND CONTROLS

## KNOW YOUR PRESSURE WASHER



Read the Operator's Manual and safety rules before operating your pressure washer.

Compare the illustrations with your pressure washer to familiarize yourself with the locations of various controls and adjustments. Save this manual for future reference.



**A - High Pressure Hose** — Connect one end to water pump and the other end to spray gun.

**B - Spray Tips** — Detergent, 0°, 15°, 25° and 40°: for various high pressure cleaning applications.

**C - Air Filter** — Protects engine by filtering dust and debris out of intake air.

**D - High Pressure Outlet** — Connection for high pressure hose.

**E - Warning/Operating Instructions Tag** — Identifies hazards and proper procedure to start/stop pressure washer.

**F - Pump** — Develops high pressure.

**G - Automatic Cool Down System** — Cycles water through pump when water reaches 125°-155°F. Warm water will discharge from pump onto ground. This system prevents internal pump damage.

**H - Choke Lever** — Prepares a cold engine for starting.

**J - Fuel Valve** — Used to turn fuel supply on and off to engine.

**K - Oil Drain Plug** — Drain engine oil here.

**L - Recoil Starter** — Used for starting the engine manually.

**M - Engine Switch** — Set switch to "On" for recoil starting. Set switch to "Off" to stop a running engine.

**N - Throttle Lever** — Sets engine in starting mode for recoil start.

**P - Fuel Tank** — Fill tank with regular unleaded fuel. Always leave room for fuel expansion.

**R - Nozzle Extension with Quick Connect** — Allows you to switch between five different spray tips.

**S - Spray Gun with Quick Connect** — Controls the application of water onto cleaning surface with trigger device. Includes automatic trigger lock.

### Items Not Shown:

**Identification Label (near rear of base plate)** — Provides model and serial number of pressure washer. Please have these numbers readily available if calling for assistance.

**Detergent Siphoning Tube/Filter** — Use to siphon pressure washer safe detergent into the low pressure stream.

**Oil Fill/Dipstick** — Check and add engine oil here.

**Pressure Control Knob** — Varies pressure of high pressure spray.

**Water Inlet** — Connection for garden hose.

# ASSEMBLY

Your pressure washer requires some assembly and is ready for use only after it has been properly serviced with the recommended oil and fuel.

**If you have any problems with the assembly of your pressure washer, please call the pressure washer helpline at 1-800-222-3136.**

**NOTICE** Any attempt to run the engine before it has been serviced with the recommended oil will result in an engine failure.

## Unpack the Pressure Washer

1. Remove everything from carton except pressure washer.
2. Open carton completely by cutting each corner from top to bottom.
3. Remove pressure washer from carton.

## Carton Contents

Check all contents. If any parts are missing or damaged, call the pressure washer helpline at **1-800-222-3136**.

- The main unit
- Handle
- Spray gun
- High pressure hose
- Nozzle extension with quick connect fitting
- Engine oil
- Parts bag (which includes items listed below)
  - Owner's manual
  - Registration card
  - Bag containing 5 multi-colored quick connect spray tips
  - Handle Fastening Hardware Kit (which includes):
    - Carriage Bolt (2)
    - Plastic Knobs (2)

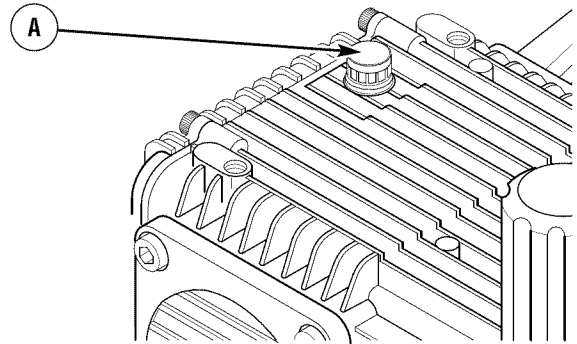
Become familiar with each piece before assembling the pressure washer. Check all contents against the illustration on page 6. If any parts are missing or damaged, call the pressure washer helpline at **1-800-222-3136**.

## Assembling Your Pressure Washer

Your Craftsman pressure washer will need assembly before operation:

1. Fill out and send in registration card.
2. Attach handle.
3. Add oil to engine crankcase.
4. Add fuel to fuel tank.

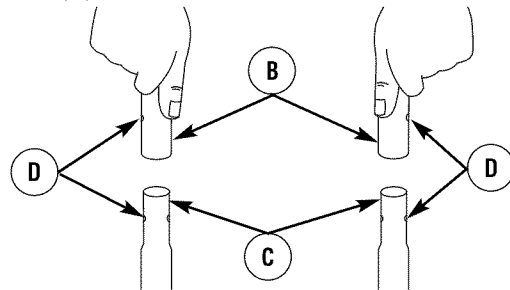
5. Verify pump oil dipstick (A) has been installed into pump.



6. Connect pressure hose to spray gun and pump.
7. Connect water supply to pump.
8. Attach nozzle extension to spray gun.
9. Select/attach quick connect spray tip to nozzle extension.

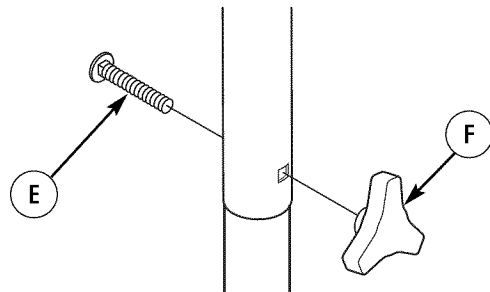
## Attach Handle

1. Place handle (B) onto handle supports (C) connected to main unit. Make sure holes (D) in handle align with holes (D) on handle supports.



**NOTICE** It may be necessary to move the handle supports from side to side in order to align the handle so it will slide over the handle supports.

2. Insert carriage bolts (E) through holes from outside of unit and attach a plastic knob (F) from inside of unit. Tighten by hand.



3. Insert multi-colored spray tips in spaces provided in handle.

## Add Engine Oil

1. Place pressure washer on a flat, level surface.
2. Clean area around oil fill and remove oil fill cap/dipstick.
3. Using oil funnel (optional), slowly pour contents of both provided oil bottles into oil fill opening to the point of overflowing.

**NOTICE** Improper treatment of pressure washer could damage it and shorten its life.

- DO NOT attempt to crank or start the engine before it has been properly serviced with the recommended oil. This could result in an engine failure.

4. Replace oil fill cap/dipstick and fully tighten.

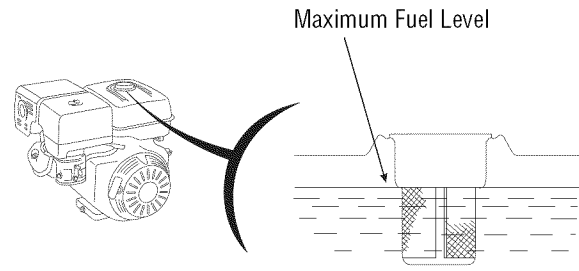
## Add Fuel

**▲ WARNING** Fuel and its vapors are extremely flammable and explosive which could cause burns, fire or explosion resulting in death, serious injury and/or property damage.

### WHEN ADDING FUEL

- Turn pressure washer engine OFF and let it cool at least 2 minutes before removing fuel cap. Loosen cap slowly to relieve pressure in tank.
- Fill fuel tank outdoors.
- DO NOT overfill tank. Allow space for fuel expansion.
- If fuel spills, wait until it evaporates before starting engine.
- Keep fuel away from sparks, open flames, pilot lights, heat, and other ignition sources.
- Check fuel lines, tank, cap and fittings frequently for cracks or leaks. Replace if necessary.
- DO NOT light a cigarette or smoke.

1. Use clean, fresh, regular UNLEADED fuel with a minimum of 86 octane with equipment. DO NOT mix oil with fuel.
2. Place pressure washer on a level surface. Clean area around fuel fill cap, remove cap.
3. Slowly add regular unleaded fuel to fuel tank. Be careful not to overfill. Allow about 1" of tank space for fuel expansion, as shown here.



4. Install fuel cap and wait for any spilled fuel to evaporate.

**CAUTION!** Alcohol-blended fuels (called gasohol, ethanol or methanol) can attract moisture, which leads to separation and formation of acids during storage. Acidic gas can damage the fuel system of an engine while in storage.

To avoid engine problems, the fuel system should be treated with a fuel preserver or emptied before storage of 30 days or longer. If adding a fuel preserver, fill the fuel tank with fresh fuel. If only partially filled, air in the tank will promote fuel deterioration during storage. If fuel preserver is not used, drain the fuel tank, start the engine and let it run until the fuel lines and carburetor are empty. Use fresh fuel next season. See *Storage* for additional information.

NEVER use engine or carburetor cleaner products in the fuel tank as permanent damage may occur.



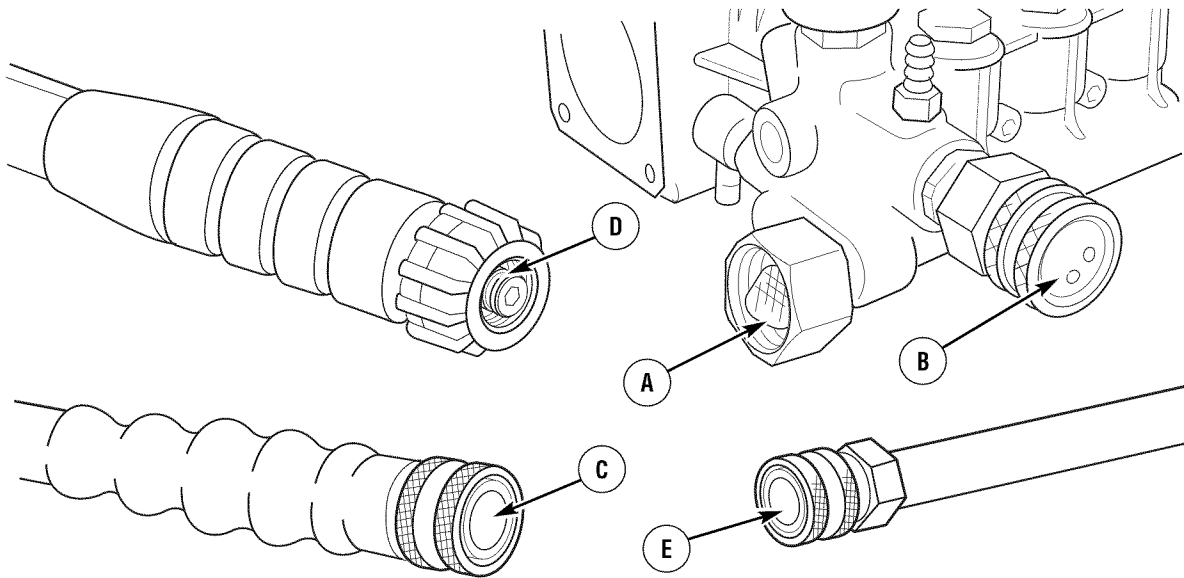
## Lubricate O-Rings

Lubrication of o-rings is extremely important for installation and operation. The use of a lubricant (petroleum or synthetic grease) during assembly helps seat o-rings properly and provides an improved seal. It also helps protect the o-ring from damage by abrasion, pinching or cutting and extends the life of the o-ring.

**NOTICE** ALWAYS apply a small amount of lubricant on o-rings prior to assembling the garden hose to the pump inlet (A), high pressure hose to pump outlet (B), high pressure hose (C), spray gun (D), and nozzle extension (E).

**Lubricate all connections shown below, following these instructions:**

1. Inspect and clean connecting surfaces prior to lubrication and assembly.
2. Use lubricants sparingly during assembly; a light film is all that is required.
3. Use a small brush or cotton swab to apply grease directly to o-rings where they are not accessible (QC fitting, M22 fitting).



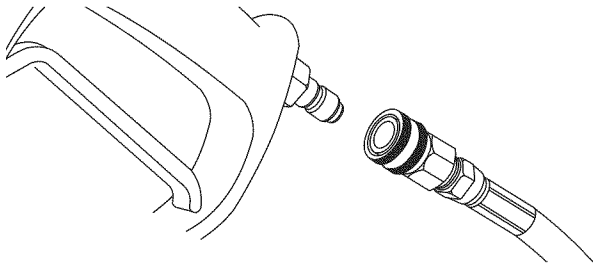
## Connect Hose and Water Supply to Pump

**NOTICE** DO NOT run the pump without the water supply connected and turned on.

- Damage to equipment resulting from failure to follow this instruction will void warranty.

**NOTICE** Remove and discard the shipping caps from the pump's high pressure outlet and water inlet before attaching hoses.

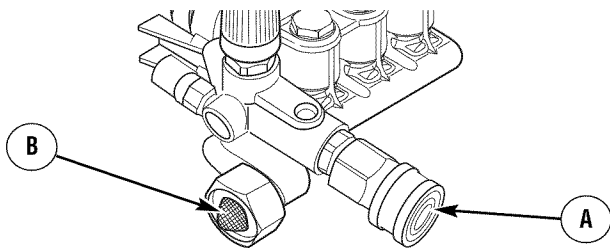
1. Uncoil high pressure hose and attach quick connect end of hose to base of spray gun. Pull down on collar of quick connect, slide onto spray gun and let go of collar. Tug on hose to be sure of tight connection.



**▲ WARNING** The high pressure stream of water that this equipment produces could cut through skin and its underlying tissues, resulting in serious injury and possible amputation.

- NEVER connect high pressure hose to nozzle extension.
- Keep high pressure hose connected to pump and spray gun while system is pressurized.
- Always be certain spray gun, nozzles and accessories are correctly attached.

2. Similarly, attach other end of high pressure hose to high pressure outlet (A) on pump. Pull down on collar of quick connect, slide onto pump and let go of collar. Pull on hose to be sure of tight connection.



3. Before connecting garden hose to water inlet, inspect inlet screen (B). Clean screen if it contains debris or have it replaced if damaged. **DO NOT run pressure washer if inlet screen is damaged or missing.**

4. Run water through garden hose for 30 seconds to clean out any debris. Turn off water.


**NOTICE** DO NOT siphon standing water for the water supply. Use ONLY cold water (less than 100°F).

5. Connect garden hose (not to exceed 50 feet in length) to water inlet. Tighten by hand.

**NOTICE** Using a One Way Valve (vacuum breaker or check valve) at pump inlet could cause pump or inlet connector damage.

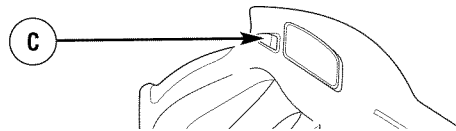
- There MUST be at least ten feet of unrestricted garden hose between the pressure washer inlet and any device, such as a vacuum breaker or check valve.
- Damage to equipment resulting from failure to follow this instruction will void warranty.

**▲ WARNING** Risk of eye injury.

 Spray could splash back or propel objects resulting in serious injury.

- Always wear indirect vented (chemical splash) safety goggles marked to comply with ANSI Z87.1 when using or in vicinity of this equipment.
- NEVER substitute safety glasses or dry-condition goggles for indirect vented safety goggles.

6. Turn ON the water, press red button (C) on the gun and squeeze the trigger to purge the pump system of air and impurities.



## Checklist Before Starting Engine

Review the assembled unit to ensure you have performed all of the following:

1. Be sure to read *Safety Rules* and *How To Use Pressure Washer* before using pressure washer.
2. Make sure handle is in place and secure.
3. Make sure shipping cap was removed and oil dipstick was installed in pump.
4. Check that oil has been added to proper level in engine crankcase.
5. Add proper fuel to fuel tank.
6. Check for properly attached hose connections.
7. Check to make sure there are no kinks, cuts, or damage to high pressure hose.
8. Provide a proper water supply at an adequate flow.

# OPERATION

## HOW TO USE YOUR PRESSURE WASHER

If you have any problems operating your pressure washer, please call the pressure washer helpline at **1-800-222-3136**.

### Pressure Washer Location

#### Pressure Washer Clearance

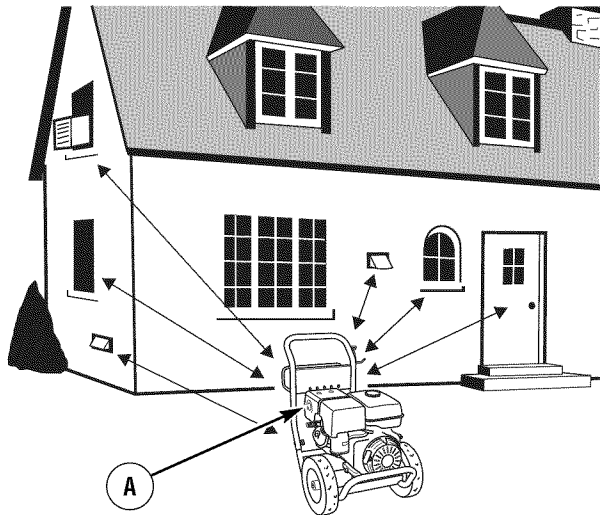
**▲ WARNING** Exhaust heat/gases could ignite combustibles, structures or damage fuel tank causing a fire, resulting in death, serious injury and/or property damage.

- Keep at least 5 ft. (152 cm) clearance on all sides of pressure washer including overhead.

Place pressure washer outdoors in an area that will not accumulate deadly exhaust gas. **DO NOT** place pressure washer where exhaust gas (**A**) could accumulate and enter inside or be drawn into a potentially occupied building. Ensure exhaust gas is kept away from any windows, doors, ventilation intakes, or other openings that can allow exhaust gas to collect in a confined area. Prevailing winds and air currents should be taken into consideration when positioning pressure washer.

**▲ WARNING** Running engine gives off carbon monoxide, an odorless, colorless, poison gas. Breathing carbon monoxide could result in death, serious injury, headache, fatigue, dizziness, vomiting, confusion, seizures, nausea or fainting.

- Operate this product **ONLY** outdoors.
- Keep exhaust gas from entering a confined area through windows, doors, ventilation intakes, or other openings.
- **DO NOT** operate this product inside any building, carport, porch, mobile equipment, marine applications, or enclosure, even if windows and doors are open.

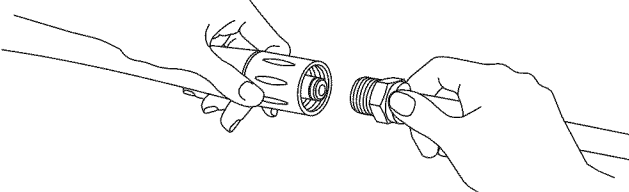


### To Start Your Pressure Washer

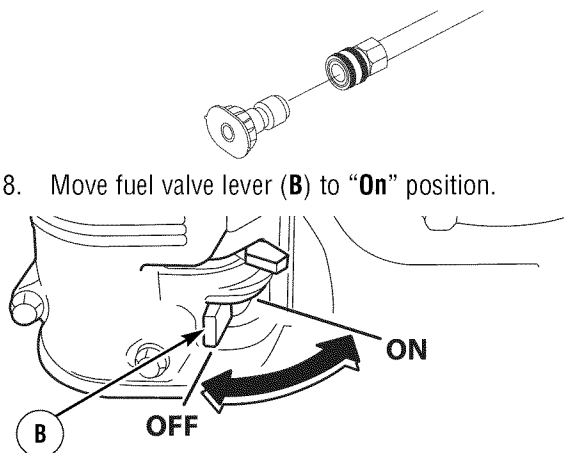
To start your engine-powered pressure washer for the first time, follow these instructions step-by-step. This starting information also applies whenever you start the engine after you have let the pressure washer sit idle for at least a day.

1. Place pressure washer near an outside water source capable of supplying water at a flow rate greater than 5.0 gallons per minute and no less than 20 PSI at pressure washer end of garden hose.
2. Check that high pressure hose is tightly connected to spray gun and pump. See *Assembly* for illustrations.
3. Make sure unit is in a level position.
4. Connect garden hose to water inlet on pressure washer pump.

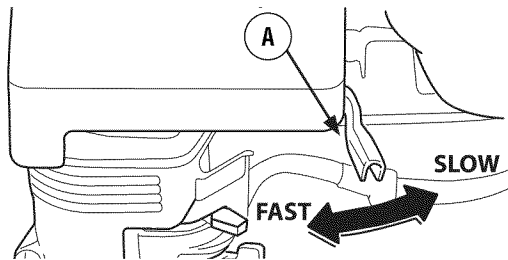
**NOTICE** **DO NOT** run the pump without the water supply connected and turned on.

- Damage to equipment resulting from failure to follow this instruction will void warranty.
5. Turn **ON** the water, press red button on the gun and squeeze the trigger to purge the pump system of air and impurities.
  6. Attach nozzle extension to spray gun. Tighten by hand.
- 
7. Choose spray tip you want to use, pull back on collar of nozzle extension, insert spray tip and release collar. Tug on spray tip to make sure it is securely in place. See *How to Use Spray Tips*.

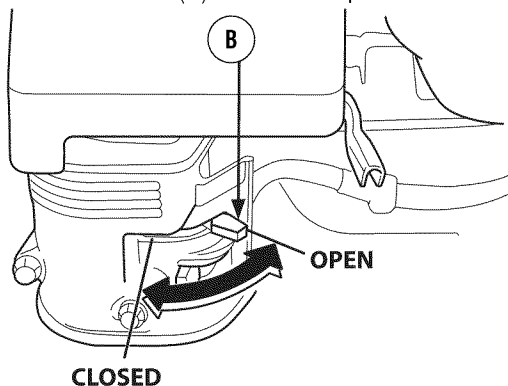
8. Move fuel valve lever (**B**) to "**On**" position.



9. Move throttle lever (A) to “Fast” position, shown as a rabbit.

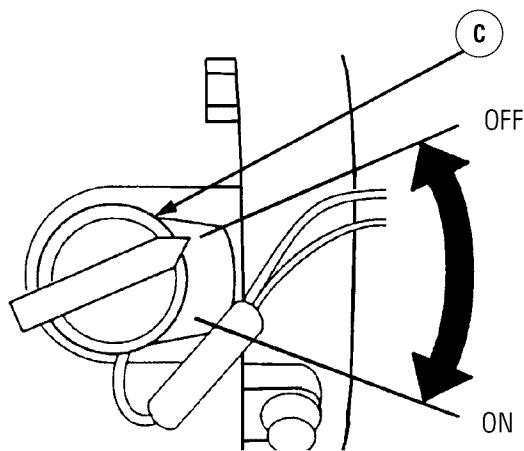


10. Move choke lever (B) to “Closed” position.




**NOTICE** For a warm engine, be sure the choke lever is in the “Open” position.

11. Move engine switch (C) to “On” position.



**NOTICE** Before starting the pressure washer, be sure you are wearing safety goggles as described below.

**WARNING** Risk of eye injury.

 Spray could splash back or propel objects resulting in serious injury.

- Always wear indirect vented (chemical splash) safety goggles marked to comply with ANSI Z87.1 when using or in vicinity of this equipment.
- NEVER substitute safety glasses or dry-condition goggles for indirect vented safety goggles.

12. When starting engine, position yourself as recommended and grasp starter grip handle and pull slowly until you feel some resistance. Then pull rapidly to start engine.



**WARNING** Starter cord kickback (rapid retraction) will pull hand and arm toward engine faster than you can let go which could cause broken bones, fractures, bruises, or sprains resulting in serious injury.

- NEVER pull starter cord without first relieving spray gun pressure.
- When starting engine, pull cord slowly until resistance is felt and then pull rapidly to avoid kickback.
- After each starting attempt, where engine fails to run, always point spray gun in safe direction, press red button and squeeze spray gun trigger to release high pressure.
- Firmly grasp spray gun with both hands when using high pressure spray to avoid injury when spray gun kicks back.

13. Return recoil starter slowly. DO NOT let rope “snap back” against starter.
14. When engine starts, slowly move choke lever to “Open” position as engine warms. If engine falters, move choke lever to “Closed” position, then to “Open” position.
15. If engine fires, but does not continue to run, always point spray gun in safe direction, press red button and squeeze spray gun trigger to release high pressure. Move choke lever to “Open” position, and repeat steps 12 through 14.
16. If engine fails to start after six pulls, move choke lever to “Open” position, and repeat steps 12 through 14.

**NOTICE** Always keep the throttle lever in the “Fast” position when operating the pressure washer.

**▲ WARNING** The high pressure stream of water that this equipment produces could cut through skin and its underlying tissues, resulting in serious injury and possible amputation.



Spray gun traps high water pressure, even when engine is stopped and water is disconnected, which could result in serious injury.

- DO NOT allow CHILDREN to operate pressure washer.
- Keep high pressure hose connected to pump and spray gun while system is pressurized.
- NEVER aim spray gun at people, animals, or plants.
- DO NOT secure spray gun in open position.
- DO NOT leave spray gun unattended while machine is running.
- NEVER use a spray gun which does not have a trigger lock or trigger guard in place and in working order.
- Always be certain spray gun, nozzles and accessories are correctly attached.

**▲ WARNING** Exhaust heat/gases could ignite combustibles, structures or damage fuel tank causing a fire, resulting in death, serious injury and/or property damage.



Contact with muffler area could cause burns resulting in serious injury.

- DO NOT touch hot parts and AVOID hot exhaust gases.
  - Allow equipment to cool before touching.
  - Keep at least 5 feet (152 cm) of clearance on all sides of pressure washer including overhead.
  - It is a violation of California Public Resource Code, Section 4442, to use or operate the engine on any forest-covered, brush-covered, or grass-covered land unless the exhaust system is equipped with a spark arrester, as defined in Section 4442, maintained in effective working order. Other states or federal jurisdictions may have similar laws.
- Contact the original equipment manufacturer, retailer, or dealer to obtain a spark arrester designed for the exhaust system installed on this engine.
- Replacement parts must be the same and installed in the same position as the original parts.

## How to Stop Your Pressure Washer

1. Release spray gun trigger and let engine idle for two minutes.
2. Move throttle lever to **“Slow”** position, shown as a turtle.
3. Move engine switch to **“Off”** position.
4. Move fuel valve lever to **“Off”** position.

**▲ WARNING** Fuel and its vapors are extremely flammable and explosive which could cause burns, fire or explosion resulting in death, serious injury and/or property damage.



- DO NOT stop engine by moving choke lever to **“Choke”** position.

5. ALWAYS point spray gun in a safe direction, push red button and squeeze spray gun trigger to release retained high water pressure.

**▲ WARNING** The high pressure stream of water that this equipment produces could cut through skin and its underlying tissues, resulting in serious injury and possible amputation.



Spray gun traps high water pressure, even when engine is stopped and water is disconnected, which could result in serious injury.

- Keep high pressure hose connected to pump and spray gun while system is pressurized.
- ALWAYS point spray gun in safe direction, press red button and squeeze spray gun trigger to release high pressure, every time you stop engine.

## How to Use Spray Tips

The quick-connect on the nozzle extension allows you to switch between four different quick connect spray tips. Spray tips can be changed while pressure washer is running once spray gun trigger lock is engaged. The spray tips vary the spray pattern as shown below.

### Follow these instructions to change spray tips:

1. Pull back collar on quick-connect and pull current spray tip off. Store spray tips in holes provided in the handle.

**▲ WARNING** The high pressure stream of water that this equipment produces could cut through skin and its underlying tissues, resulting in serious injury and possible amputation.

- NEVER exchange spray tips without the trigger lock being engaged on the spray gun.
- DO NOT twist spray tips while spraying.

2. Select desired spray tip:
  - For gentle rinse, select white 40° or green 25° spray tip.
  - To scour surface, select yellow 15° or red 0° spray tip.
  - To apply detergent, select black spray tip.
3. Pull back on collar, insert new spray tip and release collar. Tug on spray tip to make sure it is securely in place.

### Usage Tips

- For most effective cleaning, keep spray tip from 8 to 24 inches (20 to 61 cm) away from cleaning surface.
- If you get spray tip too close, especially using a high pressure spray tip, you may damage surface being cleaned.
- DO NOT get closer than 6 inches (15 cm) when cleaning tires.

## Cleaning and Applying Detergent

**▲ WARNING** Chemical Burn Hazard. Chemicals could cause burns resulting in death, serious injury, and/or property damage.

- DO NOT use caustic liquid with pressure washer.
- Use ONLY pressure washer safe detergents/soaps. Follow all manufacturers instructions.

### To apply detergent, follow these steps:

1. Review use of spray tips.
2. Prepare detergent solution as required by job.
3. Place small filter end of detergent siphoning tube into detergent container.

**NOTICE** Make sure the filter is fully submerged in detergent while applying detergent.

**NOTICE** Contact with the hot muffler could damage detergent siphoning tube.

- When inserting the siphon into a detergent solution bottle, route the tube so as to keep it from inadvertently contacting the hot muffler.

4. Make sure black spray tip is installed.

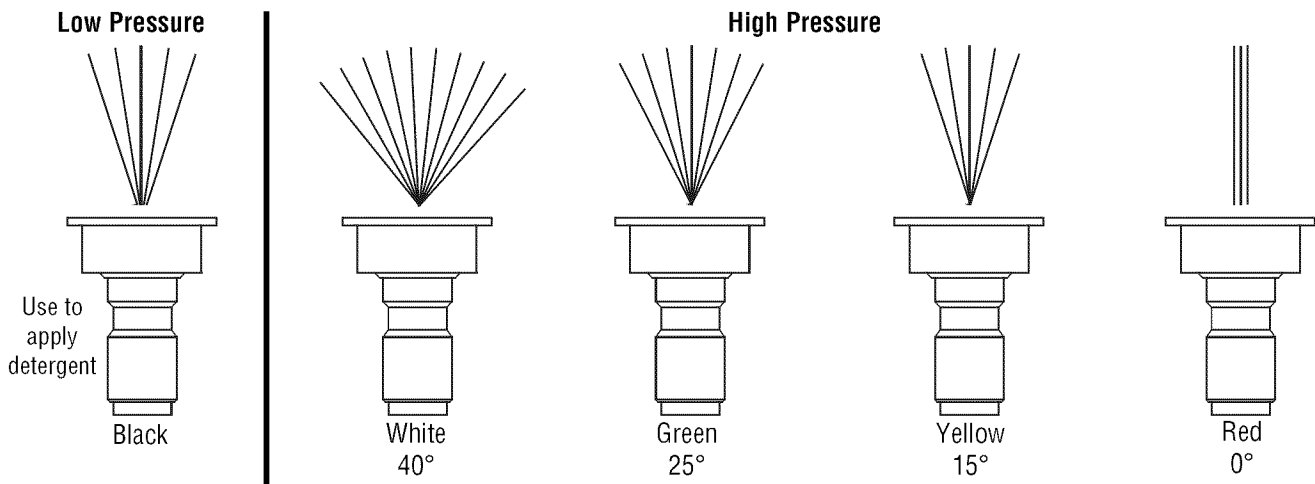
**NOTICE** Detergent cannot be applied with the high pressure spray tips (White, Green, Yellow, or Red).

5. Make sure garden hose is connected to water inlet. Check that high pressure hose is connected to spray gun and pump. Turn on water.

**NOTICE** You must attach all hoses before you start the engine.

- Starting the engine without all the hoses connected and without the water turned ON could damage the pump.
- Damage to equipment resulting from failure to follow this instruction will void warranty.

6. Start engine following instructions *How to Start Your Pressure Washer*.



- Apply detergent to a dry surface, starting at lower portion of area to be washed and work upward, using long, even, overlapping strokes.
- Allow detergent to "soak in" for 3-5 minutes before washing and rinsing. Reapply as needed to prevent surface from drying. **DO NOT** allow detergent to dry on (prevents streaking).

**NOTICE** You must flush the detergent siphoning system after each use by placing the filter into a bucket of clean water, then run the pressure washer with black detergent nozzle for 1-2 minutes.

### Pressure Washer Rinsing

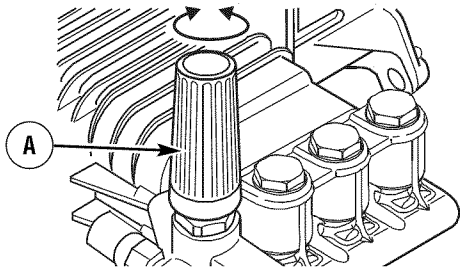
- Remove black detergent spray tip from nozzle extension.
- Select and install desired high pressure spray tip following instructions *How to Use Spray Tips*.
- Keep spray gun a safe distance from area you plan to spray.

**▲ WARNING** Kickback from spray gun could cause you to fall resulting in death or serious injury.



- Operate pressure washer from a stable surface.
- Be extremely careful if you must use the pressure washer from a ladder, scaffolding, or any other similar location.
- Firmly grasp spray gun with both hands when using high pressure spray to avoid injury when spray gun kicks back.

- Increase (decrease) spray pressure by turning pressure control knob (A) clockwise (counterclockwise). Use lower pressure to wash items such as a car or boat. Use higher pressure to strip paint and degrease driveways.



- Apply a high pressure spray to a small area and then check the surface for damage. If no damage is found, you can assume it is okay to continue rinsing.
- Start at top of area to be rinsed, working down with same overlapping strokes as you used for cleaning.

### Cleaning Detergent Siphoning Tube

If you used the detergent siphoning tube, you must flush it with clean water before stopping the engine.

- Remove high pressure spray tip from nozzle extension.
- Select and install black detergent spray tip.
- Place detergent siphoning tube/filter in a bucket full of clean water.
- Flush for 1-2 minutes.
- Shut off engine following instructions *How to Stop Pressure Washer* and turn off water supply.
- ALWAYS** point spray gun in a safe direction, press red button and squeeze spray gun trigger to release retained high water pressure.

**▲ WARNING** The high pressure stream of water that this equipment produces could cut through skin and its underlying tissues, resulting in serious injury and possible amputation.



Spray gun traps high water pressure, even when engine is stopped and water is disconnected, which could result in serious injury.

- Keep high pressure hose connected to pump and spray gun while system is pressurized.
- ALWAYS** point spray gun in safe direction, press red button and squeeze spray gun trigger to release high pressure, every time you stop engine.

### Automatic Cool Down System (Thermal Relief)

If you run the engine on your pressure washer for 3-5 minutes without pressing the trigger on the spray gun, circulating water in the pump can reach temperatures above 125°F. The system engages to cool the pump by **discharging the warm water onto the ground**.

# MAINTENANCE

## PRODUCT SPECIFICATIONS

### Pressure Washer Specifications

Pressure	3,800 PSI*
Flow Rate	4.0 GPM
Detergent Mix	Use as directed
Water Supply Temperature	Not to exceed 100°F
Pump Oil Capacity	12 fl. oz. (0.35 l)

### Engine Specifications

Rated Horsepower	13 at 3600 rpm
Bore	3.5 in. (88 mm)
Stroke	2.5 in. (64 mm)
Displacement	23.7 in. (389 cc)
Spark Plug	
Resistor	NGK BPR6ES
Set Gap To:	0.028-0.031 in (0.70-0.80 mm)
Intake Valve Clearance	0.15 ± 0.02 mm (cold)
Exhaust Valve Clearance	0.20 ± 0.02 mm (cold)
Fuel Capacity	1.72 Gallons
Oil Type	SAE 10W-30

\* This pressure washer is rated in accordance to the Pressure Washer Manufacturers Association (PWMA) standard PW101 (Testing and Rating Performance of Pressure Washers).

## OWNER'S RESPONSIBILITIES

Follow the hourly or calendar intervals, whichever occurs first. More frequent service is required when operating in adverse conditions noted below.

### Maintenance Schedule

<b>First 20 Hours</b>
<ul style="list-style-type: none"> <li>Change engine oil</li> </ul>
<b>Every 8 Hours or Daily</b>
<ul style="list-style-type: none"> <li>Check/clean water inlet screen<sup>1</sup></li> <li>Check high pressure hose</li> <li>Check detergent siphoning hose</li> <li>Check spray gun and assembly for leaks</li> <li>Clean debris</li> <li>Check air filter</li> <li>Check engine oil level</li> </ul>
<b>Every 50 Hours or 3 Months</b>
<ul style="list-style-type: none"> <li>Clean air filter<sup>2</sup></li> </ul>
<b>Every 100 Hours or 6 Months</b>
<ul style="list-style-type: none"> <li>Change engine oil</li> <li>Clean sediment cup</li> <li>Check/adjust spark plug</li> <li>Service spark arrester<sup>1</sup></li> <li>Clean fuel tank and filter</li> </ul>
<b>Every 200 Hours or 3 Months</b>
<ul style="list-style-type: none"> <li>Change pump oil<sup>5</sup></li> </ul>
<b>Every 300 Hours or Yearly</b>
<ul style="list-style-type: none"> <li>Replace air filter<sup>3</sup></li> <li>Replace spark plug</li> <li>Check adjust idle speed<sup>4</sup></li> <li>Check adjust valve clearance<sup>4</sup></li> </ul>
<b>Every 500 Hours</b>
<ul style="list-style-type: none"> <li>Clean combustion chamber<sup>4</sup></li> </ul>
<b>Every 2 Years</b>
<ul style="list-style-type: none"> <li>Check fuel tube (replace if necessary)<sup>4</sup></li> </ul>

<sup>1</sup> Clean if clogged. Replace if perforated or torn.

<sup>2</sup> Service more often under dirty or dusty conditions.

<sup>3</sup> Replace paper element only.

<sup>4</sup> These items should be serviced by your servicing dealer.

<sup>5</sup> Change after first 50 hours of operation and then every 200 hours or 3 months, whichever occurs first.



## General Recommendations

Regular maintenance will improve the performance and extend the life of the pressure washer. See any Sears or other qualified service dealer for service.

The pressure washer warranty does not cover items that have been subjected to operator abuse or negligence. To receive full value from the warranty, the operator must maintain pressure washer as instructed in this manual including proper storage as detailed in *Storage*.

Some adjustments will need to be made periodically to properly maintain your pressure washer.

All service and adjustments should be made at least once each season. Follow the requirements in the Maintenance Schedule chart.

**NOTICE** Once a year you should clean or replace the spark plug and replace the air filter. A new spark plug and clean air filter assure proper fuel-air mixture and help your engine run better and last longer.

## Emissions Control

**Maintenance, replacement, or repair of the emissions control devices and systems may be performed by any non-road engine repair establishment or individual.** However, to obtain "no charge" emissions control service, the work must be performed by a factory authorized dealer. See the *Emissions Warranty*.

## Before Each Use

1. Check engine oil level.
2. Clean debris.
3. Check water inlet screen for damage.
4. Check high pressure hose for leaks.
5. Check gun and nozzle extension assembly for leaks.
6. Purge pump of air and contaminants.

## PRESSURE WASHER MAINTENANCE

### Clean Debris

Daily or before use, clean accumulated debris from pressure washer. Keep linkage, spring and controls clean. Keep area around and behind muffler free from any combustible debris. Inspect cooling air slots and openings on the pressure washer. These openings must be kept clean and unobstructed.

Pressure washer parts should be kept clean to reduce the risk of overheating and ignition of accumulated debris.

- Use a damp cloth to wipe exterior surfaces clean.

**NOTICE** Improper treatment of pressure washer could damage it and shorten its life.


- DO NOT insert any objects through cooling slots.
- Use a soft bristle brush to loosen caked on dirt, oil, etc.
- Use a vacuum cleaner to pick up loose dirt and debris.

## Check and Clean Inlet Screen

Examine garden hose inlet screen. Clean if it is clogged or replace if it is torn.

## Check High Pressure Hose

High pressure hoses can develop leaks from wear, kinking, or abuse. Inspect hose before each use. Check for cuts, leaks, abrasions, bulging of cover, or damage or movement of couplings. If any of these conditions exist, replace hose immediately.

- ▲ WARNING** The high pressure stream of water that this equipment produces could cut through skin and its underlying tissues, resulting in serious injury and possible amputation.
- 
- NEVER repair high pressure hose. Replace it.
  - Replacement hose rating MUST equal or exceed maximum pressure rating of unit.


## Check Gun and Nozzle Extension

Examine hose connection to spray gun and make sure it is secure. Test trigger by pressing it and making sure it springs back into place when you release it. Do not depress red button and test trigger. You should not be able to press trigger. Replace spray gun immediately if it fails any of these tests.


## Detergent Siphoning Check Ball

Occasionally check ball in detergent siphoning system may become stuck from storage, dried soap, or minerals in water. The check ball can be freed by performing the following:

**NOTICE** Before performing this procedure, be sure you are wearing safety goggles as described below.

- ▲ WARNING** Risk of eye injury. Spray could splash back or propel objects resulting in serious injury.
- 
- Always wear indirect vented (chemical splash) safety goggles marked to comply with ANSI Z87.1 when using or in vicinity of this equipment.
  - NEVER substitute safety glasses or dry-condition goggles for indirect vented safety goggles.

1. Shut off engine and turn off water supply.
2. ALWAYS point spray gun in a safe direction, press red button and squeeze spray gun trigger to release retained high water pressure.

- ▲ WARNING** The high pressure stream of water that this equipment produces could cut through skin and its underlying tissues, resulting in serious injury and possible amputation.
- 
- Spray gun traps high water pressure, even when engine is stopped and water is disconnected, which could result in serious injury.
- Keep high pressure hose connected to pump and spray gun while system is pressurized.
  - ALWAYS point spray gun in safe direction, press red button and squeeze spray gun trigger to release high pressure, every time you stop engine.


3. Remove detergent siphoning hose from barbed fitting on pump.
4. Using a firm, blunt object 7/64" in diameter or smaller, by at least 1" long, such as an Allen wrench, slowly insert the object into the barbed fitting until you meet resistance. This resistance is the check ball.
5. Slowly push down until you feel the ball move slightly, push no more than 1/8". Slight pressure may be required to free the ball.
6. Repeat steps 4 and 5 if necessary.
7. Reinstall detergent siphoning hose onto barb fitting.
8. Treat with PumpSaver as described in *Protecting the Pump* during storage to prevent reoccurrence.
7. Reinstall spray tip into nozzle extension.
8. Reconnect nozzle extension to spray gun.
9. Make sure garden hose is connected to water inlet. Check that high pressure hose is connected to spray gun and pump. Turn on water.
10. Start engine following instructions *How to Start Your Pressure Washer*.
11. Test pressure washer by operating with each quick connect spray tip.

### Nozzle Maintenance

A pulsing sensation felt while squeezing the spray gun trigger may be caused by excessive pump pressure. The principal cause of excessive pump pressure is a spray tip clogged or restricted with foreign materials, such as dirt, etc. To correct the problem, immediately clean the spray tip following these instructions:

1. Shut off engine and turn off water supply.
2. ALWAYS point spray gun in a safe direction, press red button and and squeeze spray gun trigger to release retained high water pressure.

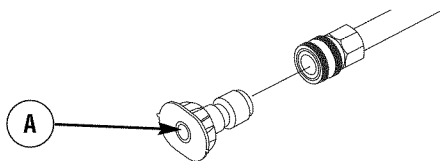
**▲ WARNING** The high pressure stream of water that this equipment produces could cut through skin and its underlying tissues, resulting in serious injury and possible amputation.



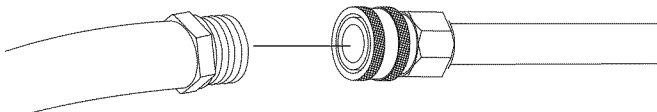
Spray gun traps high water pressure, even when engine is stopped and water is disconnected, which could result in serious injury.

- Keep high pressure hose connected to pump and spray gun while system is pressurized.
- ALWAYS point spray gun in safe direction, press red button and squeeze spray gun trigger to release high pressure, every time you stop engine.

3. Remove spray tip from end of nozzle extension.
4. Use a small paper clip to free any foreign material clogging or restricting spray tip (A).




5. Remove nozzle extension from spray gun.
6. Using a garden hose, remove additional debris by back flushing water through nozzle extension. Back flush between 30 to 60 seconds.



### O-Ring Maintenance

Purchase an O-Ring Repair Kit at your local Sears or by calling **1-800-4-MY-HOME (469-4663)** or online at [www.sears.com](http://www.sears.com). It is not included with the pressure washer. This kit includes replacement o-rings, rubber washer and water inlet filter. Refer to the instruction sheet provided in the kit to service your unit's o-rings.

**▲ WARNING** The high pressure stream of water that this equipment produces could cut through skin and its underlying tissues, resulting in serious injury and possible amputation.



- NEVER repair leaking connections with sealant of any kind. Replace o-ring or seal.

### Pump Maintenance

#### Changing Pump Oil

Change oil after first 50 hours of operation and then every 200 hours or 3 months, whichever occurs first.

**NOTICE** When changing pump oil, use only high quality nondetergent 30 weight oil. Use no special additives.

#### Change pump oil as follows:

1. Clean area around brass oil drain plug at bottom of pump.
2. Remove oil drain plug. Drain oil completely into an approved container.
3. When oil has completely drained, install oil drain plug and tighten firmly.
4. Clean area around pump oil dipstick. Remove dipstick and fill pump with recommended oil to "Full" mark on dipstick (typically 0.35L or 12 oz.).
5. Install pump oil dipstick.
6. Wipe up any spilled oil.

## ENGINE MAINTENANCE

**▲ WARNING** Unintentional sparking could cause fire or electric shock resulting in death or serious injury.



### WHEN ADJUSTING OR MAKING REPAIRS TO YOUR PRESSURE WASHER

- Disconnect the spark plug wire from the spark plug and place the wire where it cannot contact spark plug.

### WHEN TESTING FOR ENGINE SPARK

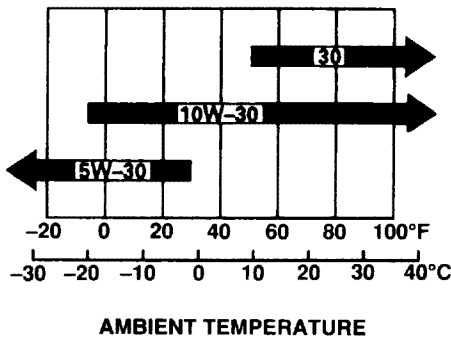
- Use approved spark plug tester.
- DO NOT check for spark with spark plug removed.

## Oil

### Oil Recommendations

**NOTICE** When adding oil to the engine crankcase, use only high quality 4-stroke automotive detergent oil rated with API service classification SJ or SL rated SAE 10W-30 weight. DO NOT use special additives.

1. Choose a viscosity according to table below.



**NOTICE** Other viscosities shown in the chart may be used when the average temperature in your area is within the recommended range.

### Checking Oil Level

Oil level should be checked prior to each use or at least every 8 hours of operation. Keep oil level maintained.

1. Make sure pressure washer is on a level surface.
2. Clean area around dipstick. Remove oil dipstick and wipe dipstick with clean cloth. Replace dipstick. Remove and check oil level.
3. Verify oil is at “Full” mark on dipstick. Replace and tighten dipstick.

### Adding Engine Oil

1. Make sure pressure washer is on a level surface.
2. Check oil level as described in *Checking Oil Level*.
3. If needed, slowly pour oil into oil fill opening. Pause to permit oil to settle. Fill to edge of oil filler hole.
4. Replace and tighten dipstick.

## Changing Engine Oil

Change engine oil after the first 20 hours and every 100 hours or 6 months, whichever comes first, thereafter. If you are using your pressure washer under extremely dirty or dusty conditions, or in extremely hot weather, change oil more often.

**▲ CAUTION** Avoid prolonged or repeated skin contact with used motor oil.

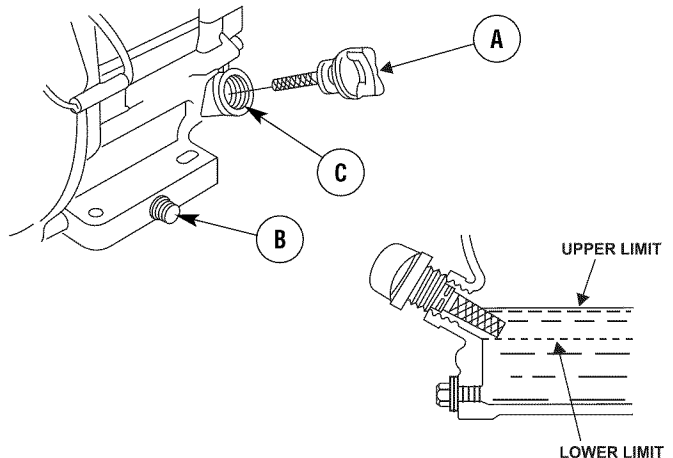
- Used motor oil has been shown to cause skin cancer in certain laboratory animals.
- Thoroughly wash exposed areas with soap and water.



KEEP OUT OF REACH OF CHILDREN. DON'T POLLUTE. CONSERVE RESOURCES. RETURN USED OIL TO COLLECTION CENTERS.

Change oil while engine is still warm from running, as follows:

1. Disconnect spark plug wire and keep it away from spark plug.
2. Place a suitable container below engine to catch used oil. Remove dipstick (A), drain plug (B) and washer.



3. Allow oil to drain completely. Reinstall drain plug and washer. Tighten drain plug securely.
4. Place pressure washer on a level surface.
5. Slowly pour recommended oil into oil fill opening (C). Pause to permit oil to settle. Fill to edge of oil filler hole.
6. Screw in the dipstick and tighten securely.
7. Wipe up any remaining oil.
8. Reconnect spark plug wire to spark plug.

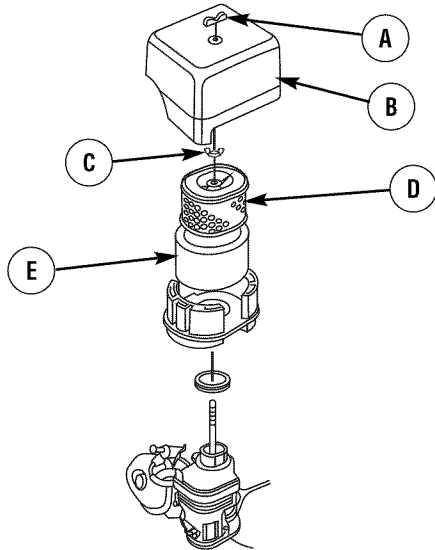
## Service Air Cleaner

Your engine will not run properly and may be damaged if you run it with a dirty air cleaner.

Clean the air cleaner once every 50 hours of operation or 3 months, whichever comes first. Service more often if operating under dirty or dusty conditions. Replace the paper filter element once every 300 hours or once a year, whichever comes first. Replacements are available at your local Sears service center.

### To service the air cleaner, follow these steps:

1. Remove wing nut (A) from air cleaner cover (B), and remove cover.



2. Remove wing nut (C) from air filter (D), and remove filter.
3. Remove foam filter (E) from paper filter.
4. Inspect both air filter elements. Replace if damaged.
5. Clean paper air filter element by tapping filter on a hard surface to remove dirt, or blow compressed air (not exceeding 30 psi) through filter element from inside.

**NOTICE** NEVER try to brush off dirt; brushing will force dirt into fibers.

6. Clean foam air filter element in warm soapy water, rinse and allow to dry thoroughly. Or clean in nonflammable solvent and allow to dry. Dip foam filter element in clean engine oil, then squeeze out all excess oil.

**NOTICE** Engine will smoke when started if too much oil is left in foam.

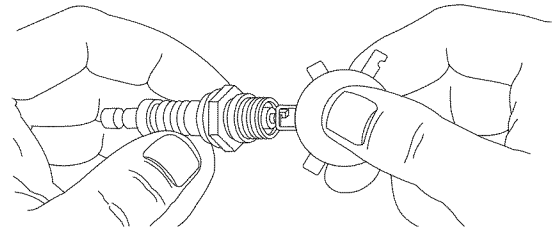
7. Using a moist rag, wipe dirt from inside of air cleaner base and cover. Be careful to prevent dirt from entering air duct that leads to the carburetor.
8. Place foam air filter element over paper element and reinstall assembled air filter. Be sure gasket is in place beneath air filter. Tighten air filter wing nut securely.
9. Install air cleaner cover and tighten cover wing nut securely.

**NOTICE** You can purchase new air filter elements by calling **1-800-4-MY-HOME (469-4663)**.

## Service Spark Plug

Check and adjust the spark plug every 100 hours of operation or yearly, whichever occurs first. Replace the spark plug every 300 hours of operation or yearly, whichever occurs first.

1. Clean area around spark plug.
2. Remove and inspect spark plug.
3. Replace spark plug if electrodes are worn, or if insulator is cracked or chipped.
4. Check electrode gap with wire feeler gauge and set gap at 0.028-0.031 inches (0.70-0.80 mm), if necessary.



5. Install spark plug, tighten securely.

**NOTICE** You can purchase a new spark plug by calling **1-800-4-MY-HOME (469-4663)**.

## Carburetor

If you think your carburetor needs adjusting, see your nearest Sears service center. Engine performance may be affected at altitudes above 5000 feet. For operation at higher elevations, contact your nearest Sears service center.

**▲ CAUTION** Excessively high operating speeds could result in minor injury and/or pressure washer damage. Excessively low speeds impose a heavy load.

- DO NOT tamper with governor spring, links or other parts to increase engine speed. Pressure washer supplies correct rated pressure and flow when running at governed speed.
- DO NOT modify pressure washer in any way.

## Inspect Muffler and Spark Arrester

Inspect the muffler for cracks, corrosion, or other damage. Remove the spark arrester, if equipped, and inspect for damage or carbon blockage. If replacement parts are required, make sure to use only original equipment replacement parts.

If you need to order a spark arrester, please call **1-800-4-MY-HOME (469-4663)**.

**▲ WARNING** Exhaust heat/gases could ignite combustibles, structures or damage fuel tank causing a fire, resulting in death, serious injury and/or property damage.

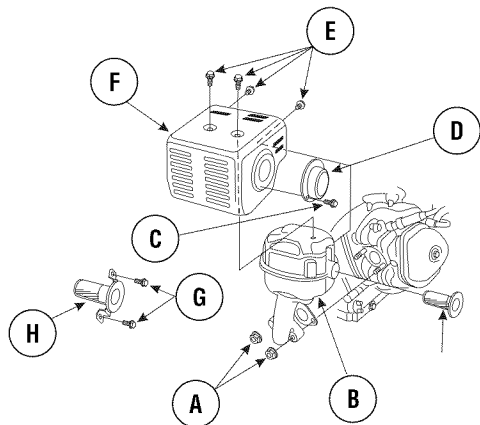


Contact with muffler area could cause burns resulting in serious injury.

- DO NOT touch hot parts and AVOID hot exhaust gases.
  - Allow equipment to cool before touching.
  - Keep at least 5 feet (152 cm) of clearance on all sides of pressure washer including overhead.
  - It is a violation of California Public Resource Code, Section 4442, to use or operate the engine on any forest-covered, brush-covered, or grass-covered land unless the exhaust system is equipped with a spark arrester, as defined in Section 4442, maintained in effective working order. Other states or federal jurisdictions may have similar laws.
- Contact the original equipment manufacturer, retailer, or dealer to obtain a spark arrester designed for the exhaust system installed on this engine.
- Replacement parts must be the same and installed in the same position as the original parts.

### Clean and inspect the spark arrester as follows:

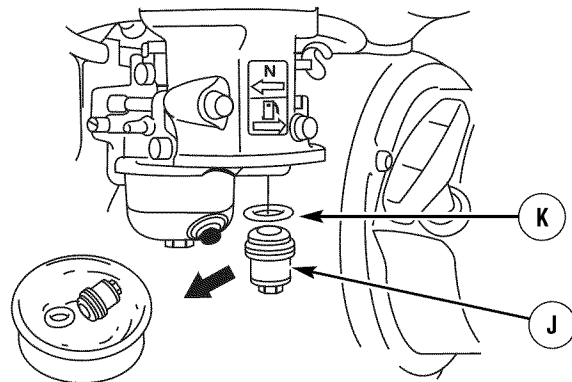
1. Remove the two 8 mm nuts (A) and remove muffler (B) from cylinder.



2. Remove the three 4 mm screws (C) from exhaust deflector (D), and remove deflector.
  3. Remove the four 5 mm screws (E) from muffler protector (F) and remove muffler protector.
  4. Remove 4 mm screws (G) from spark arrester (H) and remove spark arrester from muffler.
  5. Use a brush to remove carbon deposits from spark arrester screen. Be careful to avoid damaging screen.
- NOTICE** The spark arrester screen must be free of breaks and holes. Replace spark arrester if it is damaged.
6. Install spark arrester, muffler protector, exhaust deflector and muffler in reverse order of disassembly.

### Sediment Cup Cleaning

1. Move fuel valve to "Off" position, then remove fuel sediment cup (J) and o-ring (K).



2. Wash sediment cup and o-ring in nonflammable solvent. Dry thoroughly.
3. Place o-ring in fuel valve and install sediment cup. Tighten sediment cup securely.
4. Move fuel valve to "On" position and check for leaks. Replace o-ring if there is any leakage.

## AFTER EACH USE

Water should not remain in the unit for long periods of time. Sediments or minerals can deposit on pump parts and “freeze” pump action. Follow these procedures after every use:

1. Shut off engine, turn off water supply, point gun in a safe direction, press red button and squeeze trigger to relieve trapped pressure and let engine cool.

**▲ WARNING** The high pressure stream of water that this equipment produces could cut through skin and its underlying tissues, resulting in serious injury and possible amputation.



Spray gun traps high water pressure, even when engine is stopped and water is disconnected, which could result in serious injury.

- Keep high pressure hose connected to pump and spray gun while system is pressurized.
- ALWAYS point spray gun in safe direction, press red button and squeeze spray gun trigger to release high pressure, every time you stop engine.

2. Disconnect hose from spray gun and high pressure outlet on pump. Drain water from hose, gun, and spray tip extension. Use a rag to wipe off the hose.
3. Empty pump of all pumped liquids by pulling recoil handle about 6 times. This should remove most liquid in pump.
4. Coil high pressure hose on hook provided on handle.
5. Store unit in a clean, dry area.
6. If storing for more than 30 days see *Long Term Storage* on next page.

**▲ WARNING** Fuel and its vapors are extremely flammable and explosive which could cause burns, fire or explosion resulting in death, serious injury and/or property damage.



### WHEN STORING FUEL OR EQUIPMENT WITH FUEL IN TANK

- Store away from furnaces, stoves, water heaters, clothes dryers, or other appliances that have pilot light or other ignition source because they can ignite fuel vapors.

# STORAGE

## WINTER STORAGE

**NOTICE** You must protect your unit from freezing temperatures.

- Failure to do so will permanently damage your pump and render your unit inoperable.
- Freeze damage is not covered under warranty.

### To protect the unit from freezing temperatures:

1. Follow steps 1-4 in the previous section *After Each Use*.
2. Use pump saver, available at Sears retail item 7174403, to treat pump. This minimizes freeze damage and lubricates pistons and seals.
3. If pump saver is not available, connect a 3-foot section of garden hose to water inlet adapter. Pour RV-antifreeze (antifreeze without alcohol) into hose. Pull recoil handle twice. Disconnect 3-foot hose.
4. Store unit in a clean, dry area.

## LONG TERM STORAGE

If you do not plan to use the pressure washer for more than 30 days, you must prepare the engine and pump for long term storage.

It is important to prevent gum deposits from forming in essential fuel system parts such as the carburetor, fuel filter, fuel hose or tank during storage. Also, experience indicates that alcohol-blended fuels (called gasohol, ethanol or methanol) can attract moisture, which leads to separation and formation of acids during storage. Acidic gas can damage the fuel system of an engine while in storage.

## Protect Fuel System

### Fuel Additive:

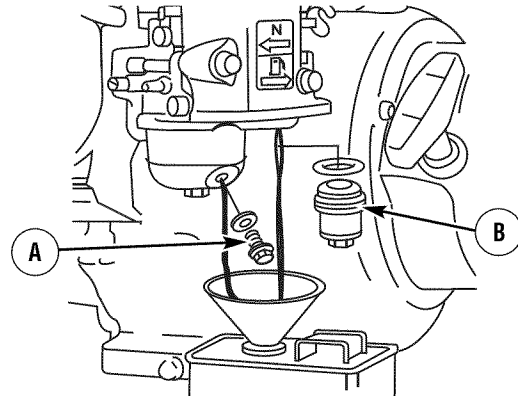
If adding a fuel additive, fill the fuel tank with fresh fuel. If only partially filled, air in the tank will promote fuel deterioration during storage. Engine and fuel can be stored up to 24 months with additive.

- Add fuel additive following manufacturer's instructions.
- Make sure you have water supply to pump inlet connected and turned ON.
- Run the engine outdoors for 10 minutes to be sure that treated fuel has replaced the untreated fuel in the carburetor.
- Stop engine and move fuel valve lever to "Off" position.

### Draining Fuel Tank and Carburetor:

If fuel additive is not used, remove all fuel from tank and carburetor.

- Place an approved fuel container below carburetor and use a funnel to avoid spilling fuel.
- Remove carburetor drain bolt (A) and sediment cup (B), then move fuel valve lever to "On" position.



- After all fuel has drained into container, reinstall drain bolt and sediment cup. Tighten both securely.

## Change Engine Oil

While engine is still warm, drain oil from crankcase. Refill with recommended grade. See *Changing Engine Oil*.

## Oil Cylinder Bore

- Remove spark plug. Squirt about 1 tablespoon of clean engine oil into the cylinder. Cover spark plug hole with rag. Pull recoil handle slowly to distribute oil. Avoid spray from spark plug hole.
- Install spark plug. DO NOT connect spark plug wire.

## Protect Pump

To protect the pump from damage caused by mineral deposits or freezing, use PumpSaver, Sears retail item 7174403, to treat pump. This prevents freeze damage and lubricates pistons and seals.

**NOTICE** You must protect your unit from freezing temperatures.


- Failure to do so will permanently damage your pump and render your unit inoperable.
- Freeze damage is not covered under warranty.

**NOTICE** PumpSaver is available as an optional accessory. It is not included with the pressure washer. Contact your local Sears service center to purchase PumpSaver.

To use PumpSaver, make sure the pressure washer is turned off and disconnected from supply water. Read and follow all instructions and warnings given on the PumpSaver container.

## Other Storage Tips

1. DO NOT store fuel from one season to another unless it has been treated as described in *Protect Fuel System*.
2. Replace fuel container if it starts to rust. Rust and/or dirt in fuel can cause problems if it's used with this unit.
3. Cover unit with a suitable protective cover that does not retain moisture.

 **WARNING** Storage covers could cause a fire resulting in death, serious injury and/or property damage.

- DO NOT place a storage cover over a hot pressure washer.
- Let equipment cool for a sufficient time before placing the cover on the equipment.

4. Store unit in a clean and dry area.

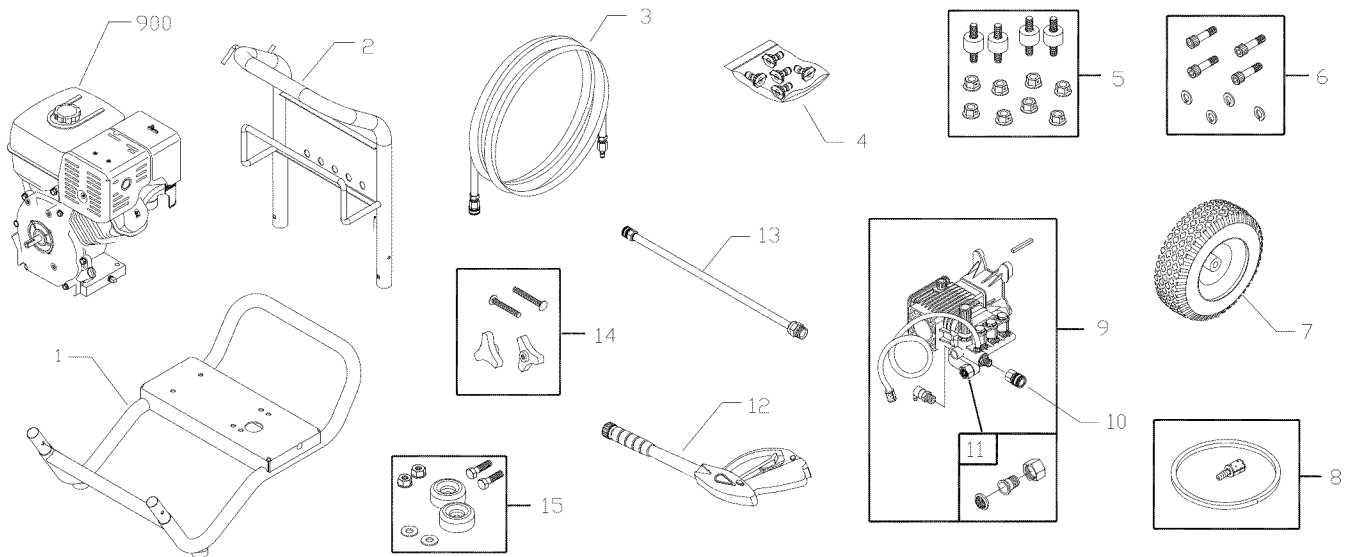


# TROUBLESHOOTING

Problem	Cause	Correction
<b>Pump has following problems: failure to produce pressure, erratic pressure, chattering, loss of pressure, low water volume.</b>	<ol style="list-style-type: none"> <li>1. Low pressure spray tip installed.</li> <li>2. Water inlet is blocked.</li> <li>3. Inadequate water supply.</li> <li>4. Inlet hose is kinked or leaking.</li> <li>5. Clogged inlet hose strainer.</li> <li>6. Water supply is over 100°F.</li> <li>7. High pressure hose is blocked or leaks.</li> <li>8. Gun leaks.</li> <li>9. Spray tip is obstructed.</li> <li>10. Pump is faulty.</li> </ol>	<ol style="list-style-type: none"> <li>1. Replace spray tip with high pressure spray tip.</li> <li>2. Clear inlet.</li> <li>3. Provide adequate water flow.</li> <li>4. Straighten inlet hose, patch leak.</li> <li>5. Check and clean inlet hose strainer.</li> <li>6. Provide cooler water supply.</li> <li>7. Clear blocks in outlet hose.</li> <li>8. Replace gun.</li> <li>9. Clean spray tip.</li> <li>10. Contact Sears service facility.</li> </ol>
<b>Detergent fails to mix with spray.</b>	<ol style="list-style-type: none"> <li>1. Detergent siphoning tube is not submerged.</li> <li>2. Detergent siphoning tube/filter is clogged or cracked.</li> <li>3. High pressure spray tip installed.</li> </ol>	<ol style="list-style-type: none"> <li>1. Insert detergent siphoning tube into detergent.</li> <li>2. Clean or replace filter/detergent siphoning tube.</li> <li>3. Replace spray tip with low pressure spray tip.</li> </ol>
<b>Engine runs good at no-load but "bogs" when load is added.</b>	Engine speed is too slow.	Move throttle control to FAST position. If engine still "bogs down", contact Sears service facility.
<b>Engine will not start; or starts and runs rough.</b>	<ol style="list-style-type: none"> <li>1. Low oil level.</li> <li>2. Dirty air cleaner.</li> <li>3. Out of fuel.</li> <li>4. Stale fuel.</li> <li>5. Spark plug wire not connected to spark plug.</li> <li>6. Bad spark plug.</li> <li>7. Water in fuel.</li> <li>8. Overchoking.</li> <li>9. Excessively rich fuel mixture.</li> <li>10. Intake valve stuck open or closed.</li> <li>11. Engine has lost compression.</li> </ol>	<ol style="list-style-type: none"> <li>1. Fill crankcase to proper level.</li> <li>2. Clean or replace air cleaner.</li> <li>3. Fill fuel tank.</li> <li>4. Drain fuel tank; fill with fresh fuel.</li> <li>5. Connect wire to spark plug.</li> <li>6. Replace spark plug.</li> <li>7. Drain fuel tank; fill with fresh fuel.</li> <li>8. Open choke fully and crank engine.</li> <li>9. Contact Sears service facility.</li> <li>10. Contact Sears service facility.</li> <li>11. Contact Sears service facility.</li> </ol>
<b>Engine shuts down during operation.</b>	Out of fuel.	Fill fuel tank.
<b>Engine lacks power.</b>	Dirty air filter.	Replace air filter.
<b>Engine "hunts" or falters.</b>	Choke is opened too soon.	Move choke to halfway position until engine runs smoothly.

# PARTS

## CRAFTSMAN 3800 PSI Pressure Washer 580.752382 Main Unit — Exploded View and Parts List



Item	Part #	Description	Item	Part #	Description
1	313328GS	BASE	11	199310GS	ADAPTER-GARDEN HOSE
2	313192BTGS	HANDLE	12	199956GS	GUN
3	205734GS	HOSE	13	193814GS	EXTENSION-QC
4	196233GS	KIT-QC NOZZLES	14	203040GS	KIT-HARDWARE HANDLE
	195983AGS	NOZZLE-QC RED	15	192310GS	MOUNT-VIBRATION
	195983BGS	NOZZLE-QC YELLOW	900	NSP	ENGINE (GX390T2) (see pages 28-33)
	195983CGS	NOZZLE-QC GREEN			
	195983DGS	NOZZLE-QC WHITE			
	195846ZZGS	NOZZLE-QC BLACK			
5	195294GS	KIT-HRDWR ENGINE MOUNTING			
6	192132GS	KIT-PUMP MOUNTING HARDWARE			
7	312774GS	WHEEL			
8	189971GS	HOSE-CHEMICAL			
9	203046GS	PUMP			
	208673GS	VALVE-THERMAL RELIEF			
	63281GS	KEY			
10	95458GS	FITTING			

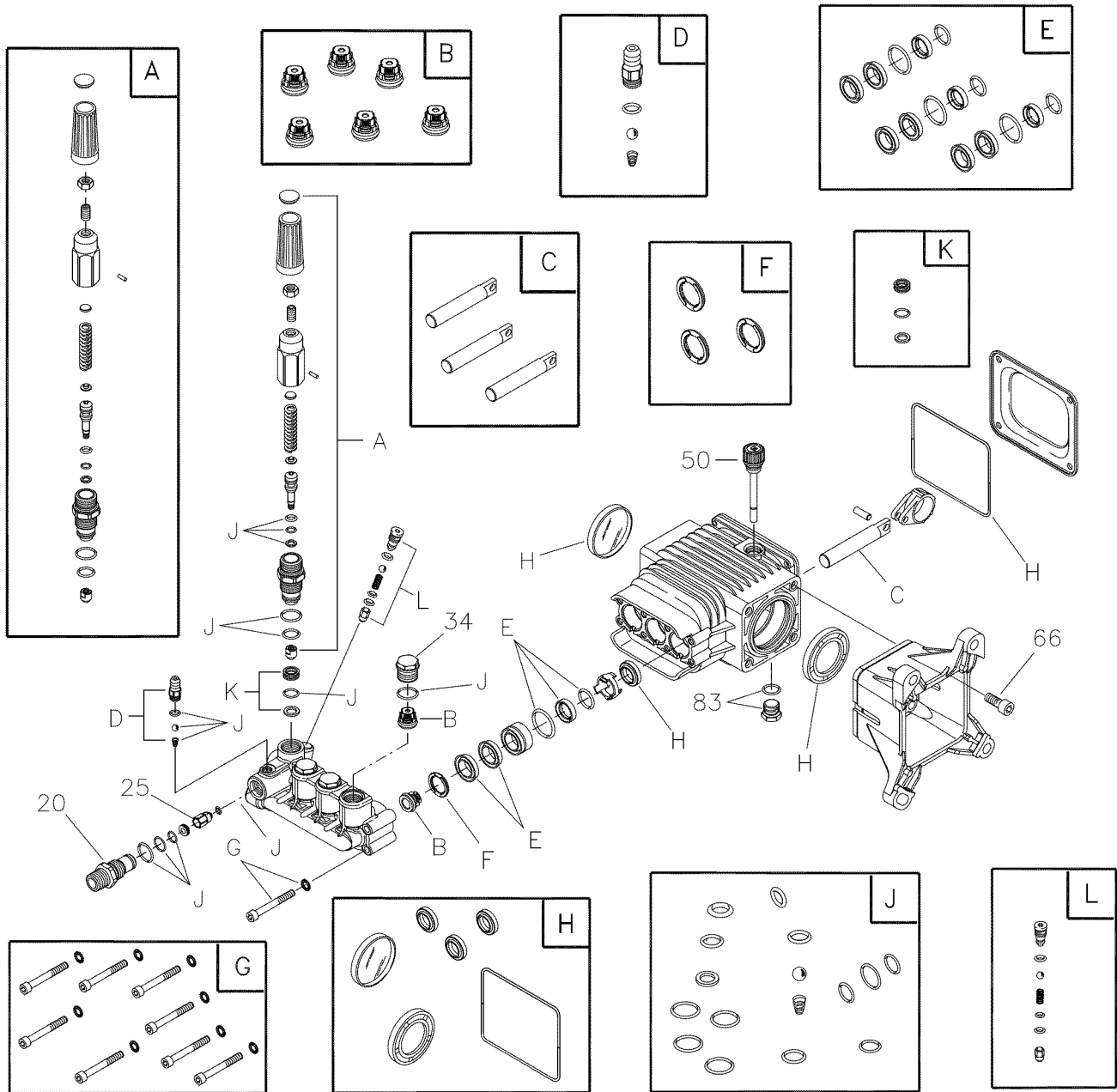
### Items Not Illustrated

Part #	Description
313955GS	MANUAL-OPERATOR'S
191267RGS	AXLE
30809GS	GROMMET
AB3061BGS	OIL
208538GS	DECAL-Warning
209697GS	DECAL-Max PSI
205687GS	DECAL-Shroud
194256GS	TAG-WARNING

### Optional Accessories

7175187	Garden Hose Quick Connect
7175197	Accessory Quick Connect
7175124	Rotating Brush Kit
7175122	30' Replacement Hose
7175116	O Ring Repair Kit
7175129	Turbo Nozzle
7175121	25' Extension Hose
7174402	Hose Reel
7174403	Pump Saver
7174404	Project Pro® PerfectMix™ Multi-Purpose and Vehicle Cleaner
7174405	Project Pro® PerfectMix™ Concrete, Brick, and Tile Cleaner
7174406	Project Pro® PerfectMix™ Mold and Mildew Cleaner

**CRAFTSMAN 3800 PSI Pressure Washer 580.752382  
Pump — Exploded View and Parts List**



Item	Part #	Description
20	198851GS	INJECTOR-DETERGENT
25	204860GS	JET
34	198850GS	PLUG
50	198849GS	DIPSTICK
66	198297GS	SCREW
83	203034GS	PLUG-DRAIN
A	198736GS	KIT-UNLOADER
B	202799GS	KIT-CHECK VALVE
C	198844GS	KIT-PISTON
D	192914GS	KIT-CHEMICAL INJ
E	198845GS	KIT-WATER SEAL
F	198848GS	KIT-SUPPORT RING
G	198852GS	KIT-HARDWARE
H	198846GS	KIT-OIL SEALS

Item	Part #	Description
J	198847GS	KIT-O-RING
K	202902GS	KIT-UNLOADER SEAT
L	202800GS	KIT-UNLOADER

**NOTE:** Item letters A - L are service kits and include all parts shown within the box.

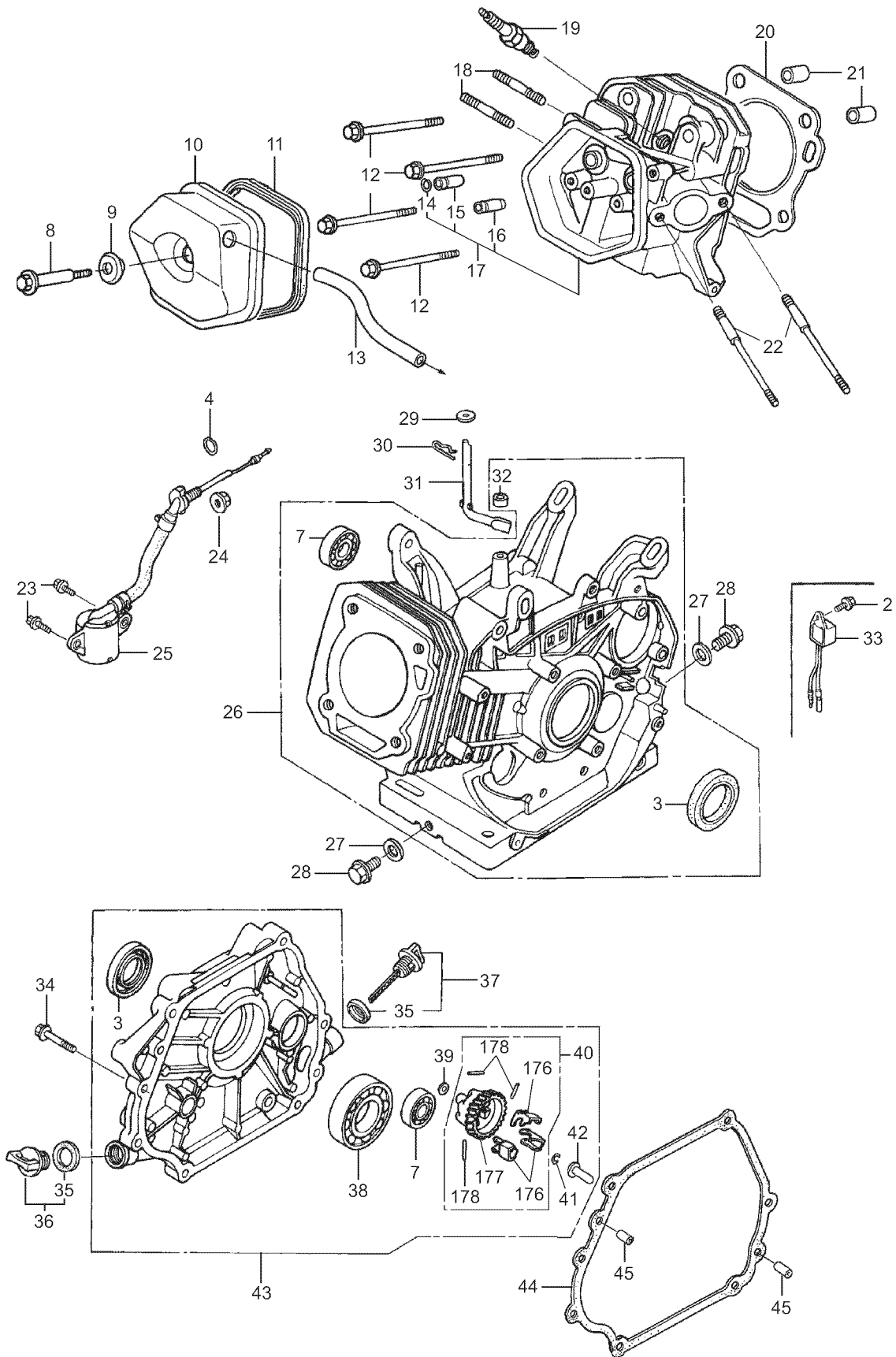
**Parts Not Illustrated**

B2384GS	FILTER-GARDEN HOSE
208673GS	VALVE-THERMAL RELIEF

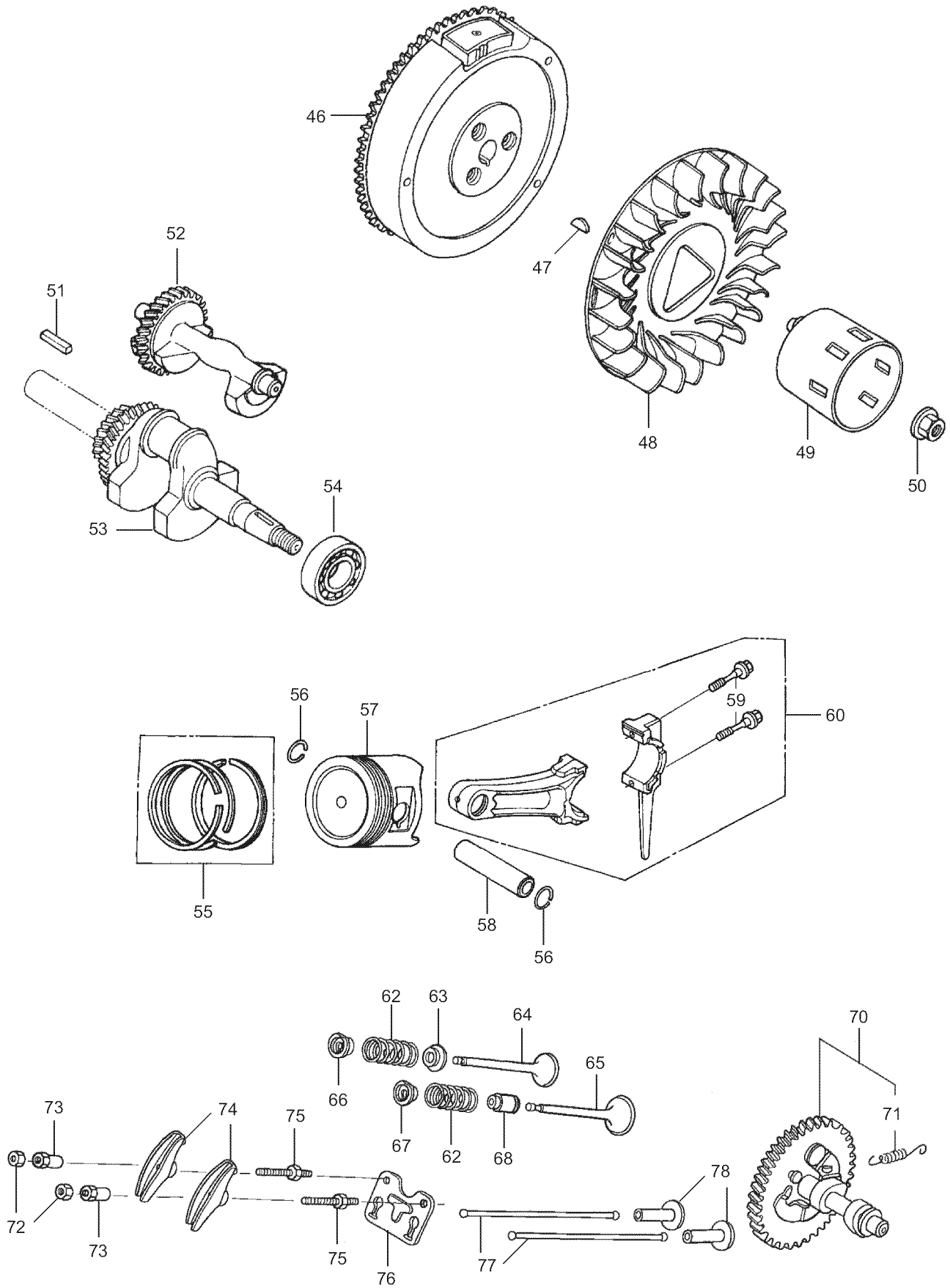
**Optional Accessories**

7174403	PUMP SAVER
6033	OIL

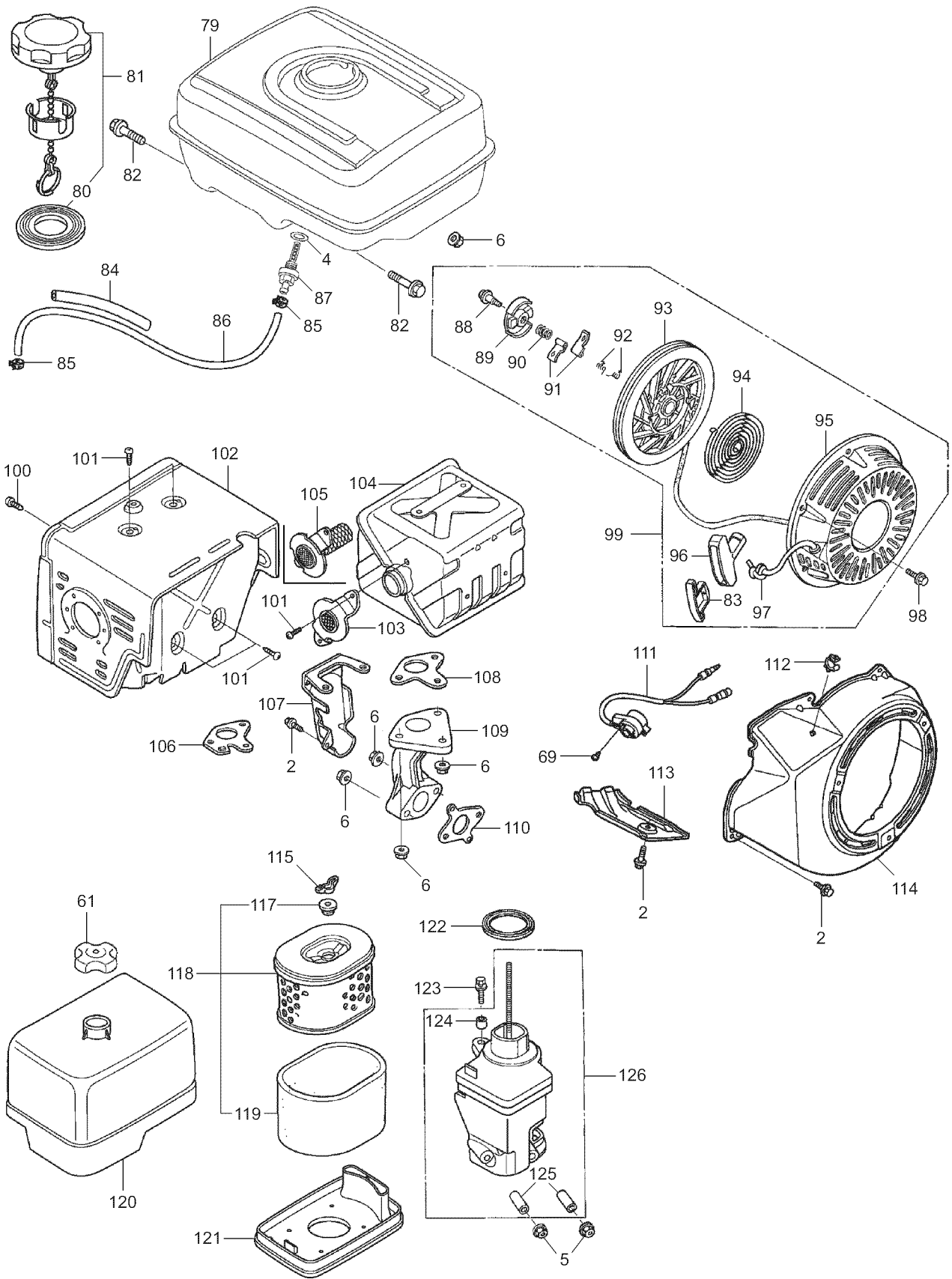
**ENGINE, 13 HP, Honda, GX390T2 – Exploded View**



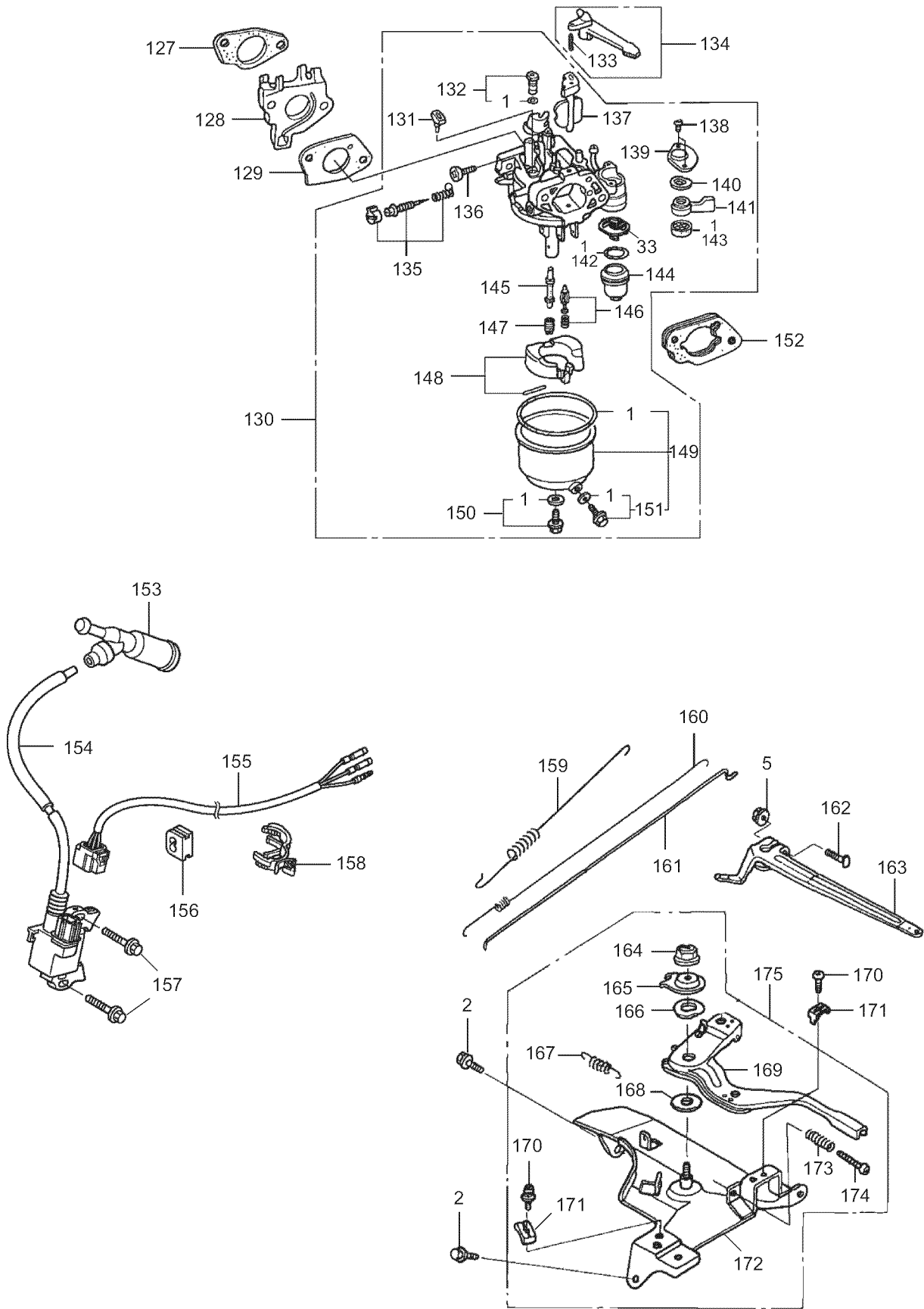
ENGINE, 13 HP, Honda, GX390T2 – Exploded View



**ENGINE, 13 HP, Honda, GX390T2 – Exploded View**



**ENGINE, 13 HP, Honda, GX390T2 – Exploded View**



## ENGINE, 13 HP, Honda, GX390T2 – Parts List

Item	Part #	Description	Item	Part #	Description
1	16010-ZE2-812	GASKET SET	54	91001-ZF6-013	BEARING, RADIAL BALL
2	90013-883-000	BOLT, FLANGE	55	13010-Z5R-004	RING SET, PISTON
3	91201-Z1C-003	OIL SEAL	56	90601-ZE3-000	CLIP, PISTON PIN
4	91353-671-003	O-RING	57	13101-Z5T-800	PISTON
5	94050-06000	NUT, FLANGE	58	13111-Z5T-000	PIN, PISTON
6	94050-08000	NUT, FLANGE	59	90001-ZE8-000	BOLT, CONNECTING ROD
7	96100-62020-00	BEARING, RADIAL BALL	60	13200-Z1C-000	ROD ASSY
8	90014-Z5T-000	BOLT, HEAD COVER	61	90202-Z2E-000	NUT, AIRCLEANER COVER
9	90441-ZE2-010	WASHER, HEAD COVER	62	14751-Z1C-000	SPRING, VALVE
10	12310-Z5T-000	COVER, HEAD	63	14775-ZE2-010	SEAT, VALVE SPRING
11	12391-ZE2-020	GASKET, HEAD COVER	64	14721-Z5T-000	VALVE, EX.
12	95701-10080-00	BOLT, FLANGE	65	14711-Z5T-000	VALVE, IN.
13	12357-Z5T-000	TUBE, BREATHER	66	14771-Z8S-000	RETAINER, EX. VALVE SPRING
14	12216-ZE2-300	CLIP, VALVE GUIDE	67	14771-Z8S-000	RETAINER, IN. VALVE SPRING
15	12205-ZE2-305	GUIDE, EX. VALVE	68	12209-ZE8-003	SEAL, VALVE STEM
16	12204-ZE2-306	GUIDE, VALVE	69	90004-Z5T-000	SCREW, TAPPING
17	12210-Z5T-406	CYLINDER HEAD	70	14100-Z5T-810	CAMSHAFT ASSY
18	92900-08032-0E	BOLT, STUD	71	14568-ZE1-000	SPRING, WEIGHT RETURN
19	98079-56846	SPARK PLUG	72	90206-ZE1-000	NUT, PIVOT
20	12251-Z5T-003	GASKET, CYLINDER HEAD	73	14451-ZE1-013	PIVOT, ROCKER ARM
21	94301-12200	PIN, DOWEL	74	14431-ZE2-010	ARM, VALVE ROCKER
22	90042-ZE8-000	BOLT, STUD	75	90012-ZE0-010	BOLT, PIVOT
23	95701-06012-00	BOLT, FLANGE	76	14791-Z1D-000	PLATE, PUSH ROD GUIDE
24	94050-10000	NUT, FLANGE	77	14410-Z1C-000	ROD, PUSH
25	35480-ZF6-003	SWITCH ASSY., OIL LEVEL	78	14441-ZE2-000	LIFTER, VALVE
26	12000-Z5T-407	CYLINDER ASSY	79	17510-Z5T-000ZA	TANK, FUEL
27	94109-12000	WASHER, DRAIN PLUG	80	17631-Z0T-801	GASKET, FUEL FILLER CAP
28	90131-896-650	BOLT, DRAIN PLUG	81	17620-Z4H-020	CAP, FUEL FILLER
29	90446-KE1-000	WASHER	82	95701-08025-00	BOLT, FLANGE
30	94251-10000	PIN, LOCK	83	28463-Z5T-003	GRIP, REINFORCEMENT
31	16541-ZE3-010	SHAFT, GOVERNOR ARM	84	16854-ZH8-000	RUBBER, SUPPORT
32	91203-952-771	OIL SEAL	85	95002-40800-08	CLAMP, TUBE
33	16959-Z5T-901	FILTER, CUP	86	91424-Z5T-003	TUBE, FUEL
34	95701-08040-00	BOLT, FLANGE	87	16955-ZE1-010	JOINT, FUEL TANK
35	15625-Z0T-800	GASKET, OIL FILLER CAP	88	90004-ZE2-W01	SCREW, CENTER
36	15600-Z0T-820	CAP ASSY	89	28444-ZE2-W01	RETAINER, SPRING
37	15600-Z1C-000	CAP ASSY	90	28441-ZE2-W01	SPRING, FRICTION
38	96100-62070-00	BEARING, RADIAL BALL	91	28422-ZE2-W01	RATCHET, STARTER
39	94101-06800	WASHER	92	28443-ZE2-W01	SPRING, RATCHET
40	16510-ZE3-000	GOVERNOR ASSY	93	28421-ZE3-W01	PULLEY, RECOIL STARTER
41	90602-ZE1-000	CLIP, GOVERNOR HOLDER	94	28442-ZE2-W01	SPRING, STARTER RETURN
42	16531-Z0A-000	SLIDER, GOVERNOR	95	28410-ZE3-W01ZB	CASE, RECOIL STARTER
43	11300-Z1C-600	COVER ASSY	96	28461-Z5T-003	GRIP, STARTER
44	11381-Z5T-000	GASKET, CASE COVER	97	28462-ZE3-W01	ROPE, RECOIL STARTER
45	90701-HC4-000	PIN, DOWEL	98	90008-ZE2-003	BOLT, FLANGE
46	31110-Z5T-000	FLYWHEEL	99	28400-Z5T-003ZB	STARTER ASSY
47	90741-ZE2-000	KEY	100	90006-ZE2-000	SCREW, TAPPING
48	19511-ZE3-000	FAN, COOLING	101	90050-ZE1-000	SCREW, TAPPING
49	28451-ZE3-W01	PULLEY, STARTER	102	18320-Z5T-000	PROTECTOR, MUFFLER
50	90201-ZE3-790	NUT, SPECIAL	103	18336-ZE3-000	FLANGE, BAFFLE
51	90745-ZE2-600	KEY	104	18310-Z5T-000	MUFFLER
52	13351-ZE3-010	WEIGHT, BALANCER	105	18350-Z5T-800	ARRESTER, SPARK
53	13310-ZF6-W12	CRANKSHAFT	106	18381-ZE2-W10	GASKET, MUFFLER



## ENGINE, 13 HP, Honda, GX390T2 – Parts List

Item	Part #	Description	Item	Part #	Description
107	18205-Z5T-000	PROTECTOR, EX. PIPE	145	16166-Z5T-901	NOZZLE, MAIN
108	18381-ZE2-800	GASKET, MUFFLER	146	16011-ZA0-931	VALVE SET, FLOAT
109	18331-Z5T-000	PIPE, EX.	147	99101-ZH8-1050	JET, MAIN
110	18333-ZF6-W01	GASKET, EX. PIPE	148	16013-Z1C-003	FLOAT SET
111	35120-Z5T-003	SWITCH ASSY, ENGINE STOP	149	16015-Z5T-901	CHAMBER SET, FLOAT
112	16731-ZE2-003	CLIP, TUBE	150	16028-Z5T-901	SCREW SET
113	19631-Z5T-000	SHROUD	151	16024-Z5T-901	SCREW SET, DRAIN
114	19610-Z5T-000ZB	COVER, FAN	152	16220-ZA0-702	SPACER, CARBURETOR
115	90325-044-000	NUT, TOOLBOX SETTING	153	30700-Z1C-811	CAP ASSY
117	17232-891-000	GROMMET, AIR CLEANER	154	30500-Z5T-003	COIL ASSY
118	17210-ZE3-505	ELEMENT, AIR CLEANER	155	32110-Z5T-000	WIRE HARNESS ASSY., ENGINE
119	17218-ZE3-505	FILTER	156	31512-ZE2-000	GROMMET, WIRE
120	17231-Z5T-000	COVER, AIR CLEANER	157	90015-883-000	BOLT, FLANGE
121	17235-Z5T-000	NOSE, MUFFLER	158	90684-ZA0-601	CLIP, HARNESS
122	17417-Z5T-000	GASKET, ELBOW	159	16561-ZE3-000	SPRING, GOVERNOR
123	90009-Z1C-000	BOLT-WASHER	160	16562-ZE3-000	SPRING, THROTTLE RETURN
124	17239-ZE1-000	COLLAR B, AIR CLEANER	161	16555-ZE3-000	ROD, GOVERNOR
125	17238-ZE2-310	COLLAR, AIR CLEANER	162	90015-Z5T-000	BOLT, GOVERNOR ARM
126	17410-Z5T-000	ELBOW, AIR CLEANER	163	16551-ZE3-000	ARM, GOVERNOR
127	16212-Z5T-000	GASKET, INSULATOR	164	90114-SA0-000	NUT, SELF-LOCK
128	16211-Z5T-000	INSULATOR, CARBURETOR	165	16575-ZE2-W00	WASHER, CONTROL LEVER
129	16221-Z5T-000	GASKET, CARBURETOR	166	16574-ZE1-000	SPRING, LEVER
130	16100-Z5T-901	CARBURETOR ASSY	167	16592-883-310	SPRING, CABLE RETURN
131	16172-ZE3-W10	COLLAR, SETTING	168	16578-ZE1-000	SPACER, CONTROL LEVER
132	99204-ZE0-0380	JET SET, PILOT	169	16571-ZE3-W00	LEVER, CONTROL
133	94305-20122	PIN, SPRING	170	93500-05016-0A	SCREW, PAN
134	16610-ZE1-000	LEVER, CHOKE	171	16576-891-000	HOLDER, CABLE
135	16016-ZH7-W01	SCREW SET, PILOT	172	16580-Z5T-000	BASE, CONTROL
136	16124-ZE0-005	SCREW, THROTTLE STOP	173	16584-883-300	SPRING, CONTROL ADJUSTING
137	16044-Z5T-901	CHOKE SET	174	93500-05032-0A	SCREW, PAN
138	93500-03006-0H	SCREW, PAN	175	16500-Z5T-810	CONTROL ASSY
139	16954-ZE1-812	PLATE, LEVER SETTING	176	16511-ZE8-000	WEIGHT, GOVERNOR
140	16956-ZE1-811	SPRING, PETCOCK LEVER	177	16512-ZE3-000	HOLDER, GOVERNOR WEIGHT
141	16953-ZE1-812	LEVER, PETCOCK	178	16513-ZE2-000	PIN, GOVERNOR WEIGHT
142	16173-001-004	*GASKET, FUEL STRAINER CUP			
143	16957-ZE1-812	*GASKET, PETCOCK			
144	16967-ZE0-811	CUP, FUEL STRAINER			

\* - INCLUDED IN CARBURETOR GASKET SET

# EMISSION CONTROL WARRANTY STATEMENT

## California, U.S. EPA, and Sears Emissions Control Warranty Statement

### Your Warranty Rights And Obligations

The California Air Resources Board, U.S. EPA, and Sears Brands Management Corporation, U.S.A. (Sears) are pleased to explain the emissions control system warranty on your Model Year 2008 and later engine/equipment. In California, new small off-road engines must be designed, built, and equipped to meet the State's stringent anti-smog standards. Sears must warrant the emissions control system on your engine/equipment for the periods of time listed below provided there has been no abuse, neglect, or improper maintenance of your small off-road engine.

Your emissions control system may include parts such as the carburetor or fuel injection system, fuel tank, ignition system, and catalytic converter. Also included may be hoses, belts, connectors, sensors, and other emissions-related assemblies. Where a warrantable condition exists, Sears will repair your engine/equipment at no cost to you including diagnosis, parts, and labor.

### Manufacturer's Warranty Coverage:

Small off-road engines are warranted for two years. If any emissions-related part on your engine/equipment is defective, the part will be repaired or replaced by Sears.

### Owner's Warranty Responsibilities:

- As the small engine/equipment owner, you are responsible for the performance of the required maintenance listed in your owner's manual. Sears recommends that you retain all receipts covering maintenance on your engine/equipment, but Sears cannot deny warranty solely for the lack of receipts or your failure to ensure the performance of all scheduled maintenance.
- As the engine/equipment owner, you should however be aware that Sears may deny you warranty coverage if your engine/equipment or a part has failed due to abuse, neglect, improper maintenance, or unapproved modifications.
- You are responsible for presenting your engine/equipment to a Sears distribution center, servicing dealer, or other equivalent entity, as applicable, as soon as a problem exists. The warranty repairs should be completed in a reasonable amount of time, not to exceed 30 days. If you have any questions regarding your warranty rights and responsibilities, you should contact Sears at (800) 469-4663.

### Sears Emissions Control Warranty Provisions

The following are specific provisions relative to your Emissions Control Warranty Coverage. It is in addition to the Sears engine warranty for non-regulated engines found in the Operator's Manual.

1. Warranted Emissions Parts  
Coverage under this warranty extends only to the parts listed below (the emissions control systems parts) to the extent these parts were present on the engine purchased.
  - a. Fuel Metering System
    - Cold start enrichment system (soft choke)
    - Carburetor and internal parts
    - Fuel pump
    - Fuel line, fuel line fittings, clamps
    - Fuel tank, cap and tether
    - Carbon canister
  - b. Air Induction System
    - Air cleaner
    - Intake manifold
    - Purge and vent line
  - c. Ignition System
    - Spark plug(s)
    - Magneto ignition system
  - d. Catalyst System
    - Catalytic converter
    - Exhaust manifold
    - Air injection system or pulse valve
  - e. Miscellaneous Items Used in Above Systems
    - Vacuum, temperature, position, time sensitive valves and switches
    - Connectors and assemblies
2. Length of Coverage  
For a period of two years from date of original purchase, Sears warrants to the original purchaser and each subsequent purchaser that the engine is designed, built, and equipped so as to conform with all applicable regulations adopted by the Air Resources Board; that it is free from defects in material and workmanship that could cause the failure of a warranted part; and that it is identical in all material respects to the engine described in the manufacturer's application for certification. The warranty period begins on the date the engine is originally purchased.

In the USA and Canada, a 24-hour hotline, 1-800-469-4663, has a menu of pre-recorded messages offering you product maintenance information.

The warranty on emissions-related parts is as follows:

- Any warranted part that is not scheduled for replacement as required maintenance in the owner's manual supplied, is warranted for the warranty period stated above. If any such part fails during the period of warranty coverage, the part will be repaired or replaced by Sears at no charge to the owner. Any such part repaired or replaced under the warranty will be warranted for the remaining warranty period.
  - Any warranted part that is scheduled only for regular inspection in the owner's manual supplied, is warranted for the warranty period stated above. Any such part repaired or replaced under warranty will be warranted for the remaining warranty period.
  - Any warranted part that is scheduled for replacement as required maintenance in the owner's manual supplied, is warranted for the period of time prior to the first scheduled replacement point for that part. If the part fails prior to the first scheduled replacement, the part will be repaired or replaced by Sears at no charge to the owner. Any such part repaired or replaced under warranty will be warranted for the remainder of the period prior to the first scheduled replacement point for the part.
  - Add on or modified parts that are not exempted by the Air Resources Board may not be used. The use of any non exempted add on or modified parts by the owner will be grounds for disallowing a warranty claim. The manufacturer will not be liable to warrant failures of warranted parts caused by the use of a non exempted add on or modified part.
3. Consequential Coverage  
Coverage shall extend to the failure of any engine components caused by the failure of any warranted emissions parts.
  4. Claims and Coverage Exclusions  
Warranty claims shall be filed according to the provisions of the Sears engine warranty policy. Warranty coverage does not apply to failures of emissions parts that are not original equipment Sears parts or to parts that fail due to abuse, neglect, or improper maintenance as set forth in the Sears engine warranty policy. Sears is not liable for warranty coverage of failures of emissions parts caused by the use of add-on or modified parts.

### Look For Relevant Emissions Durability Period and Air Index Information On Your Engine Emissions Label

Engines that are certified to meet the California Air Resources Board (CARB) Emissions Standard must display information regarding the Emissions Durability Period and the Air Index. The engine manufacturer makes this information available to the consumer on emissions labels. The engine emissions label will indicate certification information.

The **Emissions Durability Period** describes the number of hours of actual running time for which the engine is certified to be emissions compliant, assuming proper maintenance in accordance with the Operating & Maintenance Instructions. The following categories are used:

**Moderate:** Engine is certified to be emissions compliant for 125 hours of actual engine running time.

**Intermediate:** Engine is certified to be emissions compliant for 250 hours of actual engine running time.

**Extended:** Engine is certified to be emissions compliant for 500 hours of actual engine running time.

For example, a typical walk-behind lawn mower is used 20 to 25 hours per year. Therefore, the **Emissions Durability Period** of an engine with an **intermediate** rating would equate to 10 to 12 years.

Small off-road engines are certified to meet the United States Environmental Protection Agency (USEPA) Phase 2 emissions standards. For Phase 2 certified engines, the Emissions Compliance Period referred to on the Emissions Compliance label indicates the number of operating hours for which the engine has been shown to meet Federal emissions requirements.

For engines less than 225 cc displacement.

Category C = 125 hours

Category B = 250 hours

Category A = 500 hours

For engines of 225 cc or more displacement.

Category C = 250 hours

Category B = 500 hours

Category A = 1000 hours

# TABLA DE CONTENIDOS

GARANTÍA . . . . .	36	ESPECIFICACIONES . . . . .	49
CONTRATO DE PROTECCIÓN PARA REPARACIONES . . . . .	36	MANTENIMIENTO . . . . .	49-54
REGLAS DE SEGURIDAD . . . . .	37-39	ALMACENAMIENTO . . . . .	55-56
CARACTERÍSTICAS Y CONTROLES . . . . .	40	REPARACION DE DAÑOS REPUESTOS . . . . .	57
MONTAJE . . . . .	41-43	GARANTIA DEL CONTROL DE EMISIONES . . . . .	58-59
OPERACION . . . . .	44-48	COMO ORDENAR PARTES . . . . .	PAGINA POSTERIOR

## GARANTÍA

### GARANTÍA LIMITADA DE DOS AÑOS DE CRAFTSMAN

DURANTE DOS AÑOS a partir de la fecha de compra, este producto cuenta con una garantía contra cualquier defecto material o de mano de obra. Los productos defectuosos serán reparados sin costo alguno, o bien, serán sustituidos en caso de que no sea posible repararlos.

Para conocer los detalles de cobertura de la garantía sobre cómo obtener reparación o sustitución sin costo, visite el sitio web: [www.craftsman.com](http://www.craftsman.com)

Esta garantía no cubre las pistolas rociadoras, mangueras, prolongadores de boquilla, boquillas, filtros y bujías, ya que son recambios que pueden desgastarse con el uso normal dentro del período de garantía.

Esta garantía se invalida si este producto se utiliza alguna vez para prestar servicios comerciales o si se renta a otra persona.

Esta garantía le otorga determinados derechos legales y es posible que tenga otros derechos que pueden variar de una provincia a otra.

**Sears Brands Management Corporation, Hoffman Estates, IL 60179**

## CONTRATO DE PROTECCIÓN PARA REPARACIONES

*Felicidades por realizar una compra inteligente.*

Su nuevo producto Craftsman® está diseñado y fabricado para funcionar de manera fiable durante muchos años. Pero como todos los productos, es posible que requiera reparación ocasionalmente. Es en esos momentos, tener un contrato de protección para reparaciones puede ahorrarle dinero y molestias.

**A continuación se menciona lo que el contrato de protección para reparaciones\* contempla:**

- **Servicio experto** de nuestros 10.000 especialistas profesionales en reparación.
- **Servicio ilimitado y sin costo** en partes y mano de obra en todas las reparaciones incluidas en la cobertura.
- **Cambio del producto** por hasta \$1.500 si el producto incluido en la cobertura no se puede reparar.
- **Un 10% de descuento** en el precio normal de servicio y en partes instaladas relacionadas no incluidas en la cobertura del contrato; asimismo, un 10% de descuento en el precio normal de revisiones de mantenimiento preventivo.
- **Ayuda telefónica rápida.** Nuestro servicio de Solución rápida consiste en apoyo telefónico por un representante de Sears. Piense que somos un "manual del usuario parlante".

Una vez que adquiera el contrato de protección para reparaciones, sólo tiene que hacer una sencilla llamada telefónica para programar un servicio. Puede llamar a cualquier hora del día o la noche, o programar una cita de servicio en línea.

El contrato de protección para reparaciones es una compra segura. Si lo cancela por cualquier motivo durante el período de garantía del producto, le reembolsaremos el total de su dinero o una parte proporcional en cualquier momento posterior al vencimiento del período de garantía del producto. Adquiera hoy su contrato de protección para reparaciones.

**Aplican algunas limitaciones y exclusiones. Para conocer precios y obtener información adicional en EE. UU., llame al 1-800-827-6655.**

**\* La cobertura en Canadá varía en determinados artículos. Para obtener todos los detalles, comuníquese a Sears Canadá al 1-800-361-6665.**

#### Servicio de instalación de Sears

*Para solicitar un servicio de instalación por parte de un profesional de Sears para aparatos domésticos, puertas automáticas de garajes, calentadores de agua y otros artículos domésticos importantes en EE. UU. o Canadá, comuníquese al 1-800-4-MY-HOME®.*

# REGLAS DE SEGURIDAD



Lea este manual minuciosamente y conozca a fondo las partes y el funcionamiento de su máquina limpiadora a presión. Conozca sus aplicaciones, sus limitaciones y los peligros involucrados.

## Información importante de seguridad

### Símbolos sobre la seguridad y significados



Manual del Operario



Gases Tóxicos



Descarga Eléctrica



Superficies Resbalosas



Inyección Líquida



Partes en Movimiento



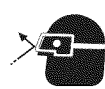
Caer



Superficie Caliente



Proyectil



Objetos Voladores



Fuego



Explosión



Quemadura Química



Contragolpe

▲ El símbolo de alerta de seguridad indica un posible riesgo para su integridad física. Se utiliza una palabra de señalización (PELIGRO, ADVERTENCIA o PRECAUCIÓN) junto con el símbolo de alerta para designar un grado o nivel de gravedad de riesgo. Se puede utilizar un símbolo de seguridad para representar el tipo de riesgo. La palabra de señalización *AVISO* se utiliza para hacer referencia a una práctica no relacionada con una lesión física.

▲ **PELIGRO** indica un riesgo que, de no evitarse, *provocará* la muerte o lesiones de gravedad.

▲ **ADVERTENCIA** indica un riesgo que, de no evitarse, *podría* provocar la muerte o lesiones de gravedad.

▲ **PRECAUCIÓN** indica un riesgo que, de no evitarse, *podría* provocar lesiones leves o moderadas.

**AVISO** hace referencia a una práctica no relacionada con una lesión física.

▲ **ADVERTENCIA** El escape del motor de este producto contiene elementos químicos reconocidos en el Estado de California por producir cáncer, defectos de nacimiento u otros daños de tipo reproductivo.

▲ **ADVERTENCIA** Este producto contiene plomo y compuestos de plomo declarados causantes de malformaciones y otros defectos congénitos por el Estado de California. *Lávese las manos después de manipular este producto.*

▲ **ADVERTENCIA** Al motor funcionar, se produce monóxido de carbono, un gas inodoro y venenoso. La inhalación de monóxido de carbono puede provocar lesiones graves, dolor de cabeza, fatiga, mareos, vómitos, confusión, convulsiones, náuseas, desmayos o incluso la muerte. La inhalación o ingestión de algunas sustancias químicas o detergentes puede ser peligroso y provocar lesiones graves, náuseas, desmayos, envenenamiento o la muerte.

- Utilice este producto SÓLO a la intemperie.
- Asegúrese de que los gases de escape no puedan entrar por ventanas, puertas, tomas de aire de ventilación u otras aberturas en un espacio cerrado en el que puedan acumularse.
- NO utilice este producto en el interior de un edificio, cochera, porche, equipo móvil, taller de aplicaciones navales o recinto, aunque haya ventanas y puertas abiertas.
- Utilice un respirador o una máscara cada vez que exista la posibilidad de inhalar vapores al utilizar sustancias químicas.
- Lea todas las instrucciones de la máscara para comprobar si proporciona la protección necesaria contra la inhalación de vapores nocivos cuando se utilicen sustancias químicas.

▲ **ADVERTENCIA** Riesgo de electrocución.



El contacto con los cables eléctricos podría provocar electrocución y quemaduras que pueden provocar lesiones graves o la muerte.

- NUNCA rocíe cerca de una fuente de energía eléctrica.

▲ **ADVERTENCIA** Peligro de quemadura química.



Las sustancias químicas podrían provocar quemaduras, así como daños materiales, lesiones graves o incluso la muerte.

- NO use líquido cáustico con la limpiadora a presión.
- Use EXCLUSIVAMENTE detergentes o jabones especiales para la limpiadora a presión. Siga todas las instrucciones del fabricante.

**▲ ADVERTENCIA** El retroceso (repliegue rápido) del cable del arrancador impedirá que el usuario suelte el cable a tiempo y tirará de su mano y brazo hacia el motor, lo que podría provocar fracturas, contusiones o esguinces; así como lesiones graves.

- NUNCA tire del cable del arrancador sin eliminar previamente la presión de la pistola rociadora.
- Cuando arranque el motor, tire lentamente del cable hasta sentir una resistencia y, a continuación, tire rápidamente de él para evitar su retroceso.
- Después de cada intento de arranque, cuando el motor no consiga arrancar, apunte con la pistola rociadora hacia una dirección segura, pulse el botón rojo y apriete el gatillo para descargar la presión.
- Sujete firmemente la pistola rociadora con ambas manos cuando aplique un rociado a alta presión para evitar lesiones cuando se produzca el retroceso de la pistola.

**▲ ADVERTENCIA** Los gases y el calor de escape podrían inflamar los materiales combustibles y las estructuras o dañar el depósito de combustible y provocar incendios, así como daños materiales, lesiones graves o incluso la muerte.

El contacto con la zona del silenciador podría producir quemaduras y lesiones graves.

- NO toque las superficies calientes y EVITE los gases del escape a alta temperatura.
- Permita que el equipo se enfríe antes de tocarlo.
- Deje un espacio mínimo de 1.5 m (5 pies) alrededor del limpiadora a presión, incluida la parte superior.
- Utilizar el motor en un terreno boscoso, con maleza o cubierto de hierba constituye una infracción al Código de recursos públicos de California, a menos que el sistema de escape esté equipado con una pantalla apagachispas, de acuerdo a la definición de la Sección 4442, que se mantenga en buenas condiciones de funcionamiento. En otros estados o jurisdicciones federales puede haber leyes similares en vigor. Póngase en contacto con el fabricante, el vendedor o el distribuidor del equipo original para obtener una pantalla apagachispas diseñada para el sistema de escape instalado en este motor.
- Las piezas de recambio deben ser las mismas que las piezas originales y estar instaladas en la misma posición.

**▲ ADVERTENCIA** El arrancador y otras piezas rotativas podrían enredarse en las manos, el pelo, la ropa u otros accesorios, y provocar lesiones graves.

- NUNCA utilice la limpiadora a presión sin sus carcasas o tapas de protección.
- NO utilice ropa suelta, joyas ni objetos que podrían quedar atrapados en el arrancador o en otras piezas rotativas.
- Ate para arriba el pelo largo y quite la joyería.

**▲ ADVERTENCIA** El combustible y sus vapores son extremadamente inflamables y explosivos, lo que podría provocar quemaduras, incendios o explosiones; así como daños materiales, lesiones graves o incluso la muerte.

#### CUANDO ANADA COMBUSTIBLE O VACÍE EL DEPÓSITO

- DETENGA el motor del limpiadora a presión y déjelo enfriar durante al menos 2 minutos antes de quitar el tapón de combustible. Afloje la tapa lentamente para dejar que la presión salga del tanque.
- Llene o vacíe el depósito de combustible a la intemperie.
- NO llene demasiado el tanque. Permita al menos espacio para la expansión del combustible.
- Si se ha derramado combustible, espere a que se evapore antes de arrancar el motor.
- Mantenga la gasolina alejada de chispas, llamas abiertas, pilotos, calor y otras fuentes de ignición.
- Compruebe frecuentemente que las líneas de combustible, el tanque, el tapón y los accesorios no estén rotos o tengan fugas. Cámbielos si es necesario.
- NO encienda un cigarrillo o fume.

#### CUANDO PONGA EN FUNCIONAMIENTO EL EQUIPO

- Compruebe que la bujía, el silenciador, el tapón del depósito de combustible y el filtro de aire están instalados.
- NO arranque el motor sin la bujía instalada.

#### CUANDO OPERE EL EQUIPO

- NO utilice este producto en el interior de un edificio, cochera, porche, equipo móvil, taller de aplicaciones navales o recinto.
- NO incline el motor o el equipo, de tal manera que la gasolina se pueda derramar.
- NO rocíe líquidos inflamables.

#### AL TRANSPORTAR, MOVER O REPARAR EQUIPO

- Transporte, mover o repare el equipo con el tanque de combustible vacío, o con la válvula para apagar el combustible, apagada (posición OFF).
- NO incline el motor o el equipo, de tal manera que la gasolina se pueda derramar.
- Desconecte el cable de la bujía.

#### CUANDO ALMACENE O GUARDE EL EQUIPO CON COMBUSTIBLE EN EL TANQUE

- Manténgalo alejado de calderas, estufas, calentadores de agua, secadoras de ropa u otros aparatos que utilicen llama piloto u otras fuentes de ignición que podrían inflamar los vapores de combustible.

**▲ ADVERTENCIA** El uso de una limpiadora a presión podría producir charcos y superficies resbaladizas que provoquen que se caiga y sufra lesiones graves o que se muera.

El retroceso de la pistola rociadora podría provocar caídas con lesiones graves o la muerte.

- Utilice la limpiadora a presión desde una superficie estable.
- El área de limpieza deberá tener inclinaciones y drenajes adecuados para disminuir la posibilidad de caídas debido a superficies resbalosas.
- Extreme las precauciones si necesita utilizar la limpiadora a presión desde una escalera, un andamio u otro lugar similar.
- Sujete firmemente la pistola rociadora con ambas manos cuando aplique un rociado a alta presión para evitar lesiones cuando se produzca el retroceso de la pistola.

**▲ ADVERTENCIA** El chorro de agua a alta presión que este equipo produce podría atravesar la piel y los tejidos subcutáneos, que podrían provocar lesiones graves y la posible amputación de un miembro.



La pistola rociadora retiene agua a alta presión incluso con el motor parado y el agua desconectada; esto podría provocar lesiones graves.

- En caso de que algún líquido le cause una cortadura, llame al médico de inmediato. NO la trate como una cortadura común.
- NO permita en ningún momento que NIÑOS operen la máquina limpiadora a presión.
- NUNCA repare la manguera de alta presión. Remplacela.
- NUNCA utilice ningún tipo de sellador para reparar una fuga en una conexión. Sustituya la junta tórica o la junta.
- NUNCA conecte la manguera de alta presión al prolongador de la boquilla.
- Mantenga conectada la manguera a la máquina o a la pistola de rociado cuando el sistema esté presurizado.
- SIEMPRE que pare el motor, apunte con la pistola rociadora hacia una dirección segura, pulse el botón rojo y apriete el gatillo para descargar la presión.
- NUNCA apunte la pistola a la gente, animales o plantas.
- NO fije la pistola rociadora en la posición abierta.
- NO abandone la pistola rociadora cuando la máquina esté en funcionamiento.
- NUNCA utilice una pistola rociadora cuyo seguro o protección para el gatillo no esté en perfecto estado de funcionamiento.
- Asegúrese en todo momento de conectar correctamente la pistola rociadora, las boquillas y los accesorios.

**▲ ADVERTENCIA** Las chispas involuntarias podrían provocar incendios o electrocución que pueden provocar lesiones graves o la muerte.



#### **CUANDO AJUSTE O HAGA REPARACIONES A SU MÁQUINA LIMPIADORA A PRESIÓN**

- Siempre desconecte el alambre de la bujía y colóquelo donde no pueda entrar en contacto con la bujía.

#### **CUANDO PRUEBE LA BUJÍA DEL MOTOR**

- Utilice un comprobador de bujías homologado.
- NO compruebe la chispa sin la bujía instalada.

**▲ ADVERTENCIA** Riesgo de lesiones en los ojos o el cuerpo.



El agua rociada podría salpicar o propulsar objetos, lo que puede provocar lesiones graves.

- Cuando utilice este equipo o esté cerca de él, siempre use gafas de seguridad con ventilación indirecta (contra salpicaduras de productos químicos) marcadas para cumplir con ANSI Z87.1.
- NUNCA se ponga gafas de seguridad ni gafas para entornos secos como sustituto de las gafas de seguridad con ventilación indirecta.
- Siempre utilice ropa de protección como una camisa de manga larga, pantalones largos y zapatos cerrados.
- NUNCA ponga en funcionamiento la limpiadora a presión cuando esté descalzo, lleve sandalias o pantalones cortos.

**▲ PRECAUCIÓN** Las velocidades de funcionamiento excesivamente altas podrían provocar lesiones leves y/o daños al limpiadora a presión. Las velocidades excesivamente bajas incrementan la carga de trabajo.

- NO intente alterar el resorte, las conexiones y otras partes del regulador para incrementar la velocidad del motor. La limpiadora a presión ejerce la presión y el flujo nominales correctos cuando funciona a una velocidad controlada.
- NO modifique al limpiadora a presión en ninguna forma.

**AVISO** El rociado de alta presión podría dañar objetos frágiles, incluido el vidrio.

- NO dirija la pistola rociadora hacia un cristal cuando utilice la punta de rocío de roja de 0°.
- NUNCA apunte la pistola a plantas.

**AVISO** Un tratamiento inadecuado de la limpiadora a presión podría dañarla y acortar su vida útil.

- Si usted tiene alguna pregunta acerca de las finalidades de uso del limpiadora a presión, pregúntele a su concesionario o contacte el distribuidor de servicio autorizado.
- NUNCA deberán ser operadas las unidades con partes rotas o ausentes, o sin la caja o cubiertas de protección.
- NO eluda ningún dispositivo de seguridad de esta máquina.
- NO intente alterar la velocidad controlada.
- NO utilice la limpiadora a presión por encima de su presión nominal.
- NO haga ninguna modificación en la limpiadora a presión.
- Antes de poner en marcha la máquina limpiadora a presión en clima frío, revise todas las partes del equipo y asegúrese de que no se haya formado hielo sobre ellas.
- NUNCA mueva la máquina halando la manguera de alta presión. Utilice la manija que viene con la unidad.
- El equipo de alta presión está diseñado para ser utilizado ÚNICAMENTE con las partes autorizadas Sears. Si utiliza este equipo con partes que no cumplan con las especificaciones mínimas, el usuario asume todos los riesgos y responsabilidades.

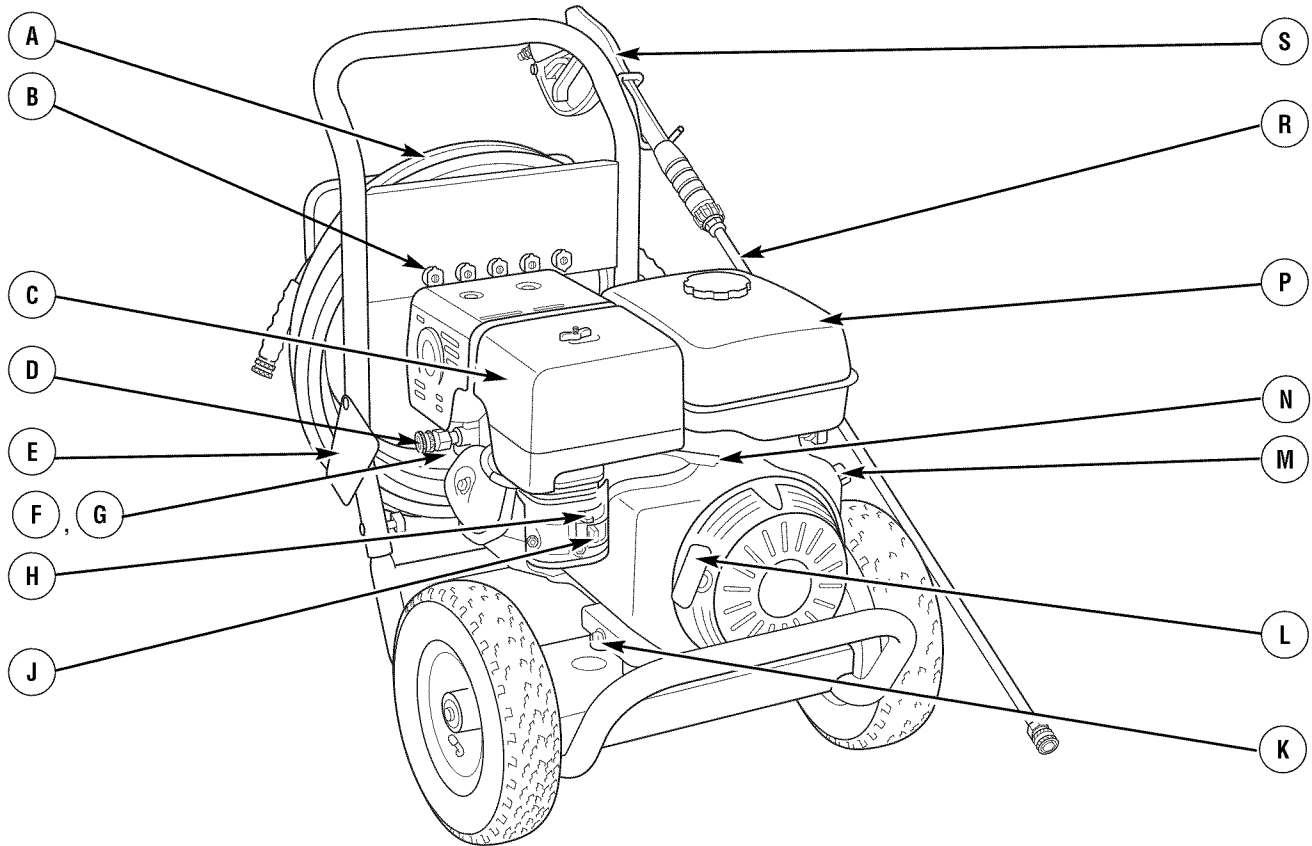
# CARACTERÍSTICAS Y CONTROLES

## CONOZCA SU MAQUINA LIMPIADORA A PRESIÓN



Lea el Manual del Operario y las reglas de seguridad antes de poner en marcha su limpiadora a presión.

Compare las ilustraciones con su limpiadora a presión para familiarizarse con las ubicaciones de los diferentes controles y ajustes. Guarde este manual para referencias futuras.



**A - Manguera de alta presión** — Conecte un extremo a la pistola de rociado y el otro extremo a la toma de alta presión.

**B - Puntas de rocío** — Detergente, 0°, 15°, 25°, 40°: para diferentes aplicaciones de limpieza de alta presión.

**C - Filtro de aire** — El elemento de filtro tipo seco limita la cantidad de suciedad y polvo que se introduce en el motor.

**D - Toma de alta presión** — Conexión para la manguera de alta presión.

**E - Etiqueta de advertencia e instrucciones** — Identifica los riesgos e indica el procedimiento adecuado de arranque o parada de la limpiadora a presión.

**F - Bomba** — Suministra agua a alta presión.

**G - Sistema de enfriamiento automático** — Cuando el agua alcanza los 51°-68° C (125°-155° F), el sistema se activa y enfría la bomba descargando agua caliente en el piso. Este sistema evita que el interior de la bomba se dañe.

**H - Palanca estranguladora** — Enfría el motor para arrancarlo.

**J - Válvula de combustible** — Se utiliza para abrir y cerrar la alimentación de combustible al motor.

**K - Tapón de Vaciado de Aceite** — Permite vaciar el aceite del motor.

**L - Arrancador de retroceso** — Se utiliza para arrancar manualmente el motor.

**M - Interruptor de arranque** — Ponga el interruptor en la posición "On" (Encendido) para realizar un arranque por retroceso.

Ponga el interruptor en la posición "Off" (Apagado) para parar el motor cuando está funcionando.

**N - Palanca del acelerador** — Activa el modo de arranque del motor para poder utilizar el arrancador de retroceso.

**P - Tanque de combustible** — Llene el tanque con gasolina regular sin contenido de plomo en este punto. Siempre deje el espacio suficiente como para que el combustible se expanda.

**R - Extensión para boquillas con conexión rápida** — Le permite usar cinco puntas de rocío diferentes.

**S - Pistola de rociado con conexión rápida** — Controla la aplicación de agua sobre la superficie de limpieza con el gatillo. Incluye cerrojo de seguridad.

### No mostrado:

**Entrada de agua** — Conexión para la manguera de jardín.

**Etiqueta de datos (parte trasera cercana a la placa de base)** — Proporciona el modelo y el número de serie de la limpiadora a presión. Tenga estos datos a la mano cuando solicite ayuda.

**Perilla de control de la presión** — Varía la presión de rociado de la presión.

**Tapón de llenado de aceite/varilla de nivel** — Compruebe aquí el nivel de aceite y añada aceite cuando sea necesario.

**Tubo/filtro de inyección de detergente** — Úselo para inyectar el detergente con seguridad en el circuito de baja presión.



# MONTAJE

Su máquina limpiadora a presión requiere de cierto ensamble y estará lista para ser usada únicamente después de haber depositado el combustible y el aceite recomendado.

**Si tiene problemas con el ensamble de su máquina limpiadora a presión, llame a la línea de ayuda de la máquina limpiadora a presión al 1-800-222-3136.**

## Desembale la limpiadora a presión

1. Saque todo el contenido de la caja de cartón, a excepción de la limpiadora a presión.
2. Abra completamente la caja de cartón cortando cada una de sus esquinas de arriba abajo.
3. Saque la limpiadora a presión de la caja de cartón.

## Contenido de la caja

Revise el contenido de la caja. Si alguna de las partes no está presente o está dañada, llame a la línea de ayuda de la máquina limpiadora a presión al 1-800-222-3136.

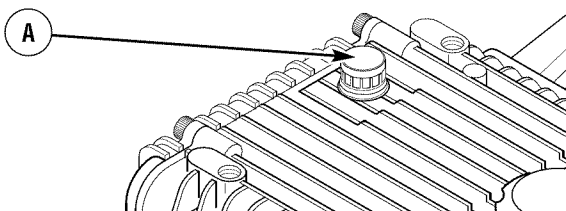
- La unidad principal
- Asa
- La manguera de alta presión
- Pistola de rociado
- Extensión de la lanza con las piezas de conexión rápida
- Aceite para motor
- Bolsa de accesorios (incluye lo siguiente):
  - Manual del propietario
  - Tarjeta de registro del propietario
  - Bolsa con 5 lanzas de conexiones rápidas multicolores
  - Piezas para la asa (incluye lo siguiente):
    - Perno del Soporte (2)
    - Perilla Plástica (2)

Familiarícese con cada parte antes de ensamblar la máquina limpiadora a presión. Compare el contenido con la ilustración de la página 40. Si alguna de las partes NO está presente o se encuentra dañada, llame a la línea de ayuda de la máquina limpiadora a presión al 1-800-222-3136.

## MONTAJE DE LA MAQUINA LIMPIADORA A PRESION

La gran mayoría de su máquina limpiadora a presión Craftsman ha sido ensamblada en la fábrica. Sin embargo, usted deberá llevar a cabo los siguientes procedimientos antes de poner en funcionamiento su máquina limpiadora a presión:

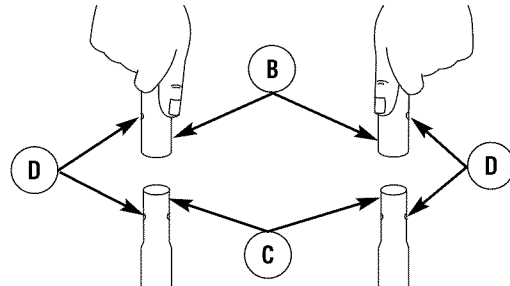
1. Llene y mande en tarjeta de matrícula.
2. Fijar el asa.
3. Deposite aceite en la caja del cigüeñal del motor.
4. Deposite combustible en el tanque.
5. Verifique la varilla para el aceite (A) es instale en la bomba.



6. Conecte la manguera de alta presión a la pistola de rociado y a la bomba.
7. Conecte el suministro de agua a la bomba.
8. Conecte boquilla la extensión al pistola rociadora.
9. Selecto/conecta rápido conecta boquilla a la extensión de la boquilla.

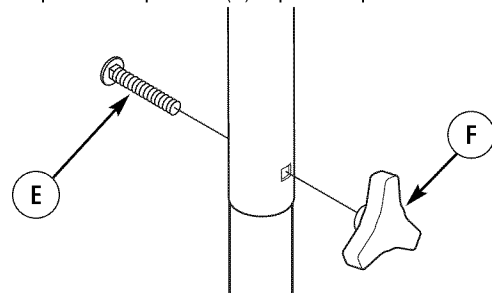
## Fijar el asa

1. Coloque el asa (B) sobre los soportes del asa (C) que ya se encuentran conectados a la unidad principal. Asegúrese de que los orificios en el asa (D) estén alineados con los orificios en los soportes del asa (D).



**AVISO** Tal vez sea necesario mover los soportes del asa de un lado a otro para alinear el asa de tal manera que pueda deslizarse sobre los soportes del mismo asa.

2. Inserte el perno de los soportes (E) a través de los orificios del asa y fije las perillas de plástico (F). Apriete las perillas manualmente.



3. Inserte las puntas de rociado multicolores en los espacios provistos en la asa.

## Agregue aceite de motor

1. Coloque la limpiadora a presión en una superficie plana y nivelada.
2. Limpie la zona de alrededor del orificio de llenado de aceite y quite el tapón.
3. Con la ayuda de un embudo (opcional), vierta lentamente el contenido de las dos botellas de aceite por el orificio de llenado hasta el punto de desbordamiento.

**AVISO** El tratamiento inadecuado de la limpiadora a presión puede dañarlo y acortar su vida productiva.

- NO procure acodar ni empezar el motor antes de haber sido atendido apropiadamente con el aceite recomendado. Esto podría provocar una avería en el motor.

4. Vuelva a colocar el tapón y apriételo firmemente.

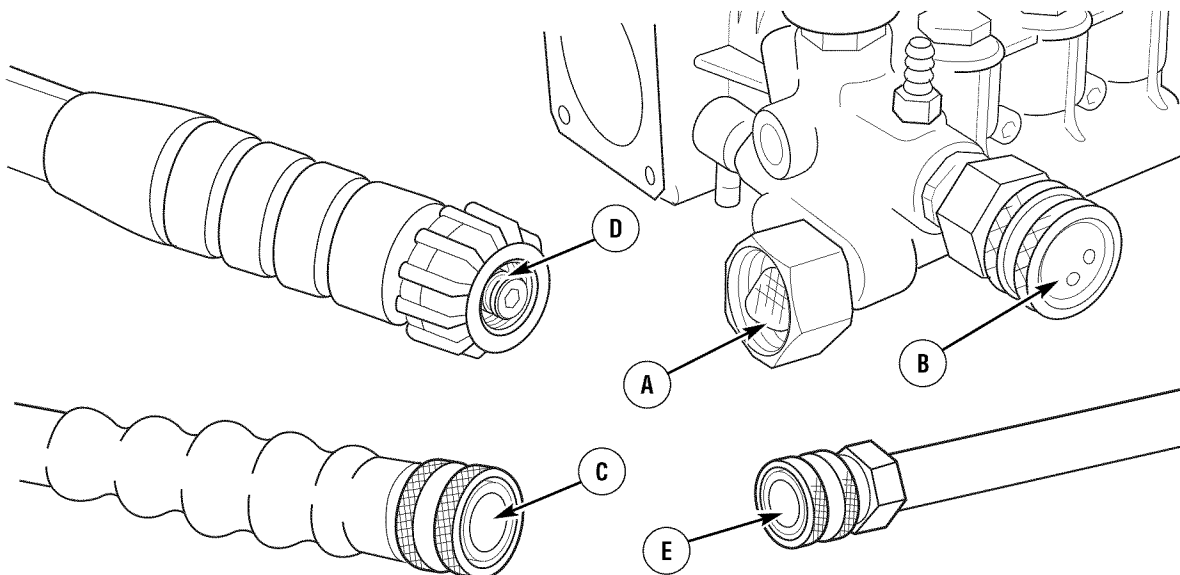
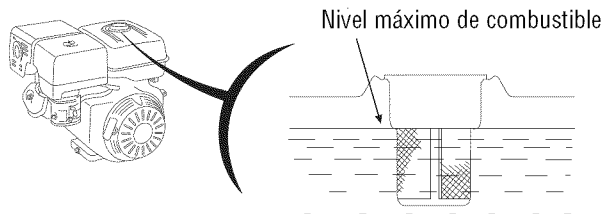
## Agregue gasolina

**▲ ADVERTENCIA** El combustible y sus vapores son extremadamente inflamables y explosivos, lo que podría provocar quemaduras, incendios o explosiones; así como daños materiales, lesiones graves o incluso la muerte.

### CUANDO ANADA COMBUSTIBLE EL DEPÓSITO

- DETENGA el motor del limpiadora a presión y déjelo enfriar durante al menos 2 minutos antes de quitar el tapón de combustible. Afloje la tapa lentamente para dejar que la presión salga del tanque.
- Llene el depósito de combustible a la intemperie.
- NO llene demasiado el tanque. Permita al menos espacio para la expansión del combustible.
- Si se ha derramado combustible, espere a que se evapore antes de arrancar el motor.
- Mantenga la gasolina alejada de chispas, llamas abiertas, pilotos, calor y otras fuentes de ignición.
- Compruebe frecuentemente que las líneas de combustible, el tanque, el tapón y los accesorios no estén rotos o tengan fugas. Cámbielos si es necesario.
- NO encienda un cigarrillo o fume.

1. Utilice gasolina normal sin plomo, limpia y nueva con un mínimo de 86 octanos. NO mezcle aceite con combustible.
2. Limpie el área alrededor de la tapa de llenado del combustible, retire la tapa.
3. Agregue lentamente gasolina regular "SIN PLOMO" al tanque de combustible. Use un embudo para evitar que se derrame. Llene el tanque lentamente hasta aproximadamente 1" por debajo de la parte la cima del cuello del tubo de llenado.



3. Instale la tapa del tanque de combustible y la espera para algún combustible rociado para evaporar.

**¡PRECAUCIÓN!** Los combustibles con mezcla de alcohol (gasohol, etanol o metanol) pueden atraer la humedad y provocar la separación y formación de ácidos durante el almacenamiento. Los gases ácidos pueden dañar el circuito de combustible y el motor durante el almacenamiento.

Para evitar este tipo de problemas, vacíe el circuito de combustible cuando vaya a almacenar la unidad durante 30 días o más. Vacíe el depósito de combustible, arranque el motor y déjelo funcionar hasta que los conductos de combustible y el carburador queden vacíos. Utilice combustible nuevo la próxima temporada. Para obtener más información al respecto, consulte *Almacenamiento*.

NUNCA utilice productos limpiadores para motores o carburadores en el depósito de combustible, ya que podrían provocar daños permanentes.

## Lubrique las juntas tóricas

La lubricación de las juntas tóricas es extremadamente importante para la instalación y operación. El uso de un lubricante (petróleo o grasa sintética) durante el montaje es de utilidad para que las juntas tóricas se asienten adecuadamente y el sellado quede mejor. También ayuda a proteger la junta tórica contra daños por abrasión, pinchazos o cortes, y extiende su duración.

**AVISO** SIEMPRE aplique una pequeña cantidad de lubricante en las juntas tóricas antes de montar la manguera de jardín a la entrada de agua de la bomba (A), manguera a alta presión a la salida de alta presión de la bomba (B), manguera a alta presión (C), la pistola rociadora (D), y el prolongador de la boquilla (E).

### Lubrique todas las conexiones se muestra a continuación, siguiendo estas instrucciones:

1. Revise y limpie las superficies de conexión antes de la lubricación y el montaje.
2. Utilice los lubricantes con moderación durante el montaje; sólo se requiere una capa ligera.
3. Cuando no tenga acceso a las juntas tóricas, utilice un cepillo pequeño o torunda de algodón para aplicarles la grasa directamente (adaptador QC, adaptador M22).

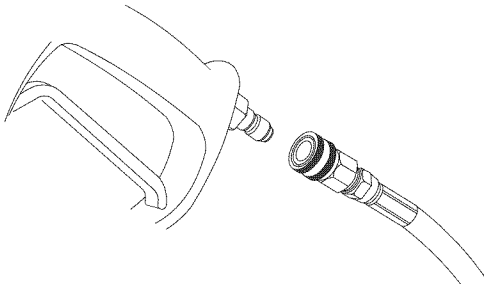
## Conecte la manguera y el suministro de agua a la bomba

**AVISO** NO haga funcionar la bomba si no tiene el suministro conectado y abierto.

- El daño a la limpiadora a presión, resultado de la desatención a esta precaución, no será cubierto por la garantía.

**AVISO** Antes de conectar las mangueras, retire y deseche los tapones de transporte de la salida de alta presión y de la entrada de agua de la bomba.

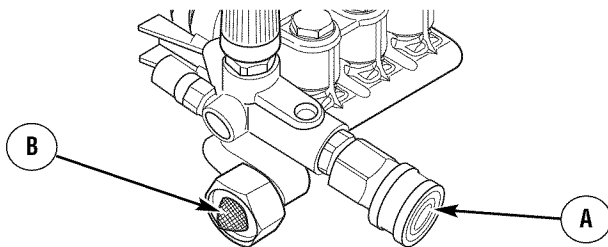
1. Retroceda la manguera a alta presión y conecte el extremo de la conexión rápida de la manguera a la base de la pistola rociadora. Hale el collar de la conexión rápida, deslícelo en la pistola rociadora y suelte el collar. Hálo en la manguera para asegurarse de que este conectado firmemente.



**▲ ADVERTENCIA** El chorro de agua a alta presión que este equipo produce podría atravesar la piel y los tejidos subcutáneos, que podrían provocar lesiones graves y la posible amputación de un miembro.

- NUNCA conecte la manguera de alta presión al prolongador de la boquilla.
- Mantenga conectada la manguera a la máquina o a la pistola de rociado cuando el sistema esté presurizado.
- Asegúrese en todo momento de conectar correctamente la pistola rociadora, las boquillas y los accesorios.

2. De la misma manera, conecte el otro extremo de la manguera a alta presión, a la salida de alta presión (A) de la bomba. Hale el collar de la conexión rápida, deslícelo en la bomba y suelte el collar. Hale la manguera para asegurarse que esta bien conectada.



3. Antes de que conecte la manguera de jardín a la entrada de agua, inspeccione el colador de la entrada (B). Limpie el colador si tiene residuos o solicite su remplazo si está dañado. **NO haga funcionar la limpiadora a presión si el filtro de entrada falta o está dañado.**

4. Haga correr el agua a través de la manguera de su jardín por 30 segundos para limpiar cualquier escombros que se encuentre en ella. Desconecte el agua.

**AVISO** Hace NO agua de parar de siphon para el abastecimiento de agua. Use agua SOLO fría (menos que 100°F).

**AVISO** El uso de una válvula unidireccional (igualador de presión o válvula de retención) en la entrada de la bomba podría producir daños en la bomba o en el conector de entrada.

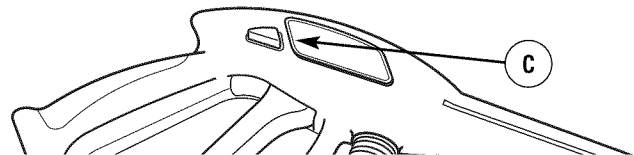
- DEBE haber un mínimo de 3 metros (10 pies) de manguera de riego libre entre la entrada de la limpiadora a presión y cualquier dispositivo, como un igualador de presión o una válvula de retención).
  - El daño a la limpiadora a presión, resultado de la desatención a esta precaución, no será cubierto por la garantía.
5. Conecte la manguera de jardín (no exceder 50 pies en la longitud) a la entrada del agua. Apriete con la mano.

**▲ ADVERTENCIA** Riesgo de lesiones oculares.

El agua rociada podría salpicar o propulsar objetos, lo que puede provocar lesiones graves.

- Cuando utilice este equipo o esté cerca de él, siempre use gafas de seguridad con ventilación indirecta (contra salpicaduras de productos químicos) marcadas para cumplir con ANSI Z87.1.
- NUNCA se ponga gafas de seguridad ni gafas para entornos secos como sustituto de las gafas de seguridad con ventilación indirecta.

6. ABRA el agua, apunte con la pistola hacia una dirección segura presione el seguro (botón rojo) (C) y apriete el gatillo para eliminar el aire y las impurezas del sistema de bombeo.



## Lista de revision previa al arranque del motor

Revise la unidad para asegurarse que ha llevado a cabo los siguientes procedimientos:

1. Asegúrese de leer las secciones *Reglas de Seguridad* y *Operación* antes de usar el limpiadora a presión.
2. Cerciérese el asa es seguro.
3. Asegúrese de que el tapón de transporte se ha quitado y de que la varilla de nivel de aceite se ha instalado en la bomba.
4. Revise que haya sido depositado aceite y esté al nivel correcto en la caja del cigüeñal del motor.
5. Deposite la gasolina adecuada en el tanque del combustible.
6. Revise que todas las conexiones de las mangueras (alta presión y suministro de agua) estén apretadas correctamente y que no existan dobleces, cortes o daño de la manguera de alta presión.
7. Proporcione el suministro de agua adecuado (que no exceda los 100°F).

# OPERACION

## CÓMO USAR SU MÁQUINA LIMPIADORA A PRESIÓN

Si tiene problemas con el funcionamiento de su máquina limpiadora a presión, por favor llame a la línea de ayuda de la máquina limpiadora a presión al **1-800-222-3136**.

### Ubicación del limpiadora a presión

#### Espacio libre alrededor del limpiadora a presión

**▲ ADVERTENCIA** Los gases y el calor de escape podrían inflamar los materiales combustibles y las estructuras o dañar el depósito de combustible y provocar incendios, así como daños materiales, lesiones graves o incluso la muerte.

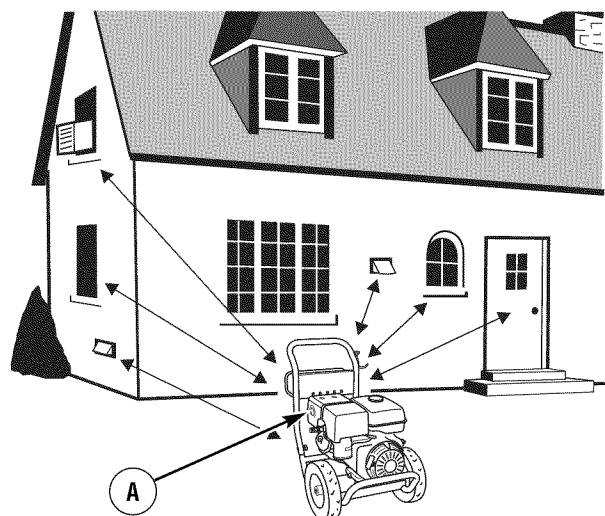
- Deje un espacio mínimo de 1.5 m (5 pies) alrededor del limpiadora a presión, incluida la parte superior.



Coloque la limpiadora a presión a la intemperie en una zona en donde no se acumulen gases de escape mortales. Asegúrese de que los gases de escape (**A**) no puedan entrar por ventanas, puertas, tomas de aire de ventilación u otras aberturas en un espacio cerrado en el que puedan acumularse. Tenga en cuenta los vientos y las corriente de aire preponderantes cuando elija la ubicación del limpiadora a presión.

**▲ ADVERTENCIA** Al motor funcionar, se produce monóxido de carbono, un gas inodoro y venenoso. La inhalación de monóxido de carbono puede provocar lesiones graves, dolor de cabeza, fatiga, mareos, vómitos, confusión, convulsiones, náuseas, desmayos o incluso la muerte.

- Utilice este producto SÓLO a la intemperie.
- Asegúrese de que los gases de escape no puedan entrar por ventanas, puertas, tomas de aire de ventilación u otras aberturas en un espacio cerrado en el que puedan acumularse.
- NO utilice este producto en el interior de un edificio, cochera, porche, equipo móvil, taller de aplicaciones navales o recinto, aunque haya ventanas y puertas abiertas.

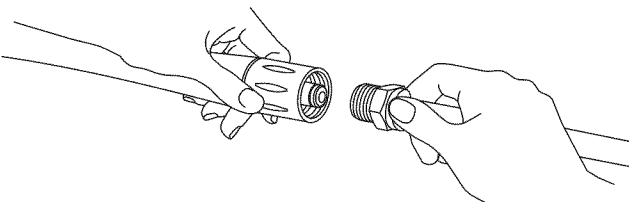


## Cómo darle arranque a su máquina limpiadora a presión

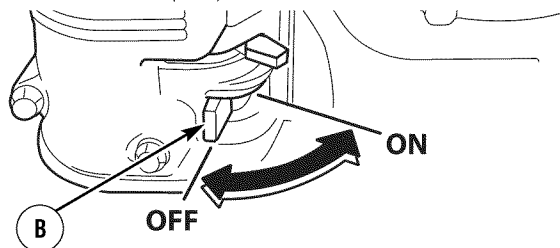
Para darle arranque a su máquina limpiadora a presión movida a motor por primera vez, siga estas instrucciones paso a paso. Esta información acerca del arranque inicial también se aplica cuando vaya a darle arranque al motor después de haber dejado de la máquina limpiadora a presión fuera de uso por al menos un día.

1. Coloque la máquina limpiadora a presión en un área cercana a una suministro de agua exterior capaz de abastecer agua a un volumen mayor de 5.0 galones por minuto en no menos que 20 PSI en el fin de arandela de presión de la manga del jardín.
2. Revise que la manguera de alta presión se encuentre conectada firmemente a la pistola de rociado y a la bomba. Vea *Montaje*.
3. Asegúrese que la unidad esté nivelada.
4. Conecte la manguera de jardín a la entrada del agua. Aprieta con la mano.

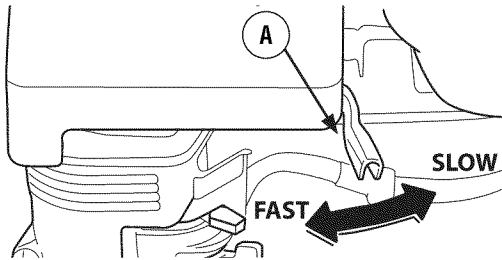
**AVISO** NO haga funcionar la bomba si no tiene el suministro conectado y abierto.

- El daño a la limpiadora a presión, resultado de la desatención a esta precaución, no será cubierto por la garantía.
5. Abra el agua, apunte con la pistola hacia una dirección segura presione el seguro (botón rojo) y apriete el gatillo para eliminar el aire y las impurezas del sistema de bombeo.
  6. Acople la boquilla de extensión a la pistola aspersora. Apriétela manualmente.
- 
7. Seleccione la puntas de rocío de conexión rápida que usted desee e insértela en el extremo de la extensión de la lanza. Vea *Como Usar las Puntas de Rocío*.

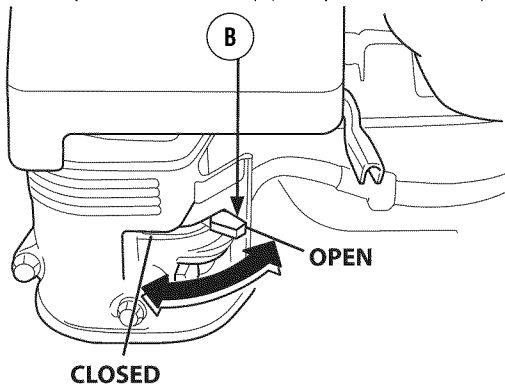
8. Sitúe la palanca de la válvula de combustible (**B**) en la posición "Encendido" ("On").



9. Sitúe la palanca del acelerador (A) en la posición "Rápido" ("Fast"), que se distingue con la figura de un conejo.

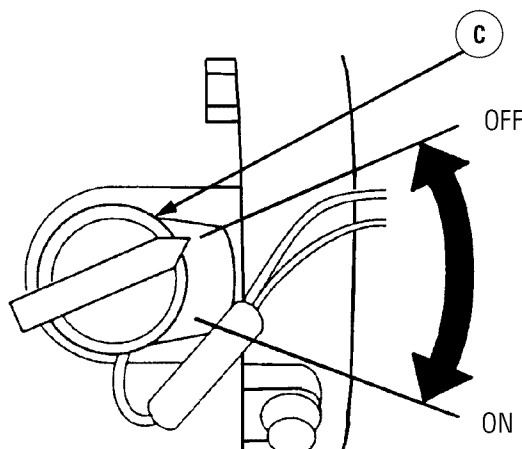


10. Mueva la perilla del cebador (B) a la posición "Cerró" ("Closed").



**AVISO** En el caso de que el motor esté caliente, asegúrese de que la perilla del cebador se encuentre en la posición "Abra" ("Open").

11. Sitúe el interruptor de arranque (C) en la posición "On" (Encendido).



**AVISO** Antes de arrancar la limpiadora a presión, asegúrese de ponerse gafas de seguridad como se describe a continuación.

**▲ ADVERTENCIA** Riesgo de lesiones oculares.

El agua rociada podría salpicar o propulsar objetos, lo que puede provocar lesiones graves.

- Cuando utilice este equipo o esté cerca de él, siempre use gafas de seguridad con ventilación indirecta (contra salpicaduras de productos químicos) marcadas para cumplir con ANSI Z87.1.
- NUNCA se ponga gafas de seguridad ni gafas para entornos secos como sustituto de las gafas de seguridad con ventilación indirecta.

12. Cuando arranque el motor, colóquese en la posición que se recomienda a continuación. Sujete la manija y hale ligeramente la manija del arranque hasta que sienta cierta resistencia. Después hálela rápidamente.



**▲ ADVERTENCIA** El retroceso (repliegue rápido) del cable del arrancador impedirá que el usuario suelte el cable a tiempo y tirará de su mano y brazo hacia el motor, lo que podría provocar fracturas, contusiones o esguinces; así como lesiones graves.

- NUNCA tire del cable del arrancador sin eliminar previamente la presión de la pistola rociadora.
- Cuando arranque el motor, tire lentamente del cable hasta sentir una resistencia y, a continuación, tire rápidamente de él para evitar su retroceso.
- Después de cada intento de arranque, cuando el motor no consiga arrancar, apunte con la pistola rociadora hacia una dirección segura, pulse el botón rojo y apriete el gatillo para descargar la presión.
- Sujete firmemente la pistola rociadora con ambas manos cuando aplique un rociado a alta presión para evitar lesiones cuando se produzca el retroceso de la pistola.

13. Jale la cuerda de arranque lentamente. NO permita que la cuerda regrese bruscamente en contra del arrancador.
14. Cuando arranque el motor, mueva lentamente la perilla del cebador a la posición "Abra" ("Open"). Si el motor falla, mueva la perilla del cebador a la posición "Cerró" ("Closed"), y después a la posición "Abra" ("Open").
15. Si los fuegos de motor, pero no continúa correr, siempre señalar el fusil en la dirección segura, presione el seguro (botón rojo) y el disparador del fusil del rocío del estrujón para liberar la presión alta. Mueva la perilla del cebador a la posición "Abra" ("Open"), y repite los pasos 12 por 14.
16. Si el motor no arranca después de 6 tirones, mueva la perilla del cebador a la posición "Abra" ("Open"), y repite los pasos 12 por 14.

**AVISO** Siempre mantenga la palanca del acelerador en el "Rápido" ("Fast") posición cuando operar la arandela de la presión.

**▲ ADVERTENCIA** El chorro de agua a alta presión que este equipo produce podría atravesar la piel y los tejidos subcutáneos, que podrían provocar lesiones graves y la posible amputación de un miembro.



La pistola rociadora retiene agua a alta presión incluso con el motor parado y el agua desconectada; esto podría provocar lesiones graves.

- NO permita en ningún momento que NIÑOS operen la máquina limpiadora a presión.
- Mantenga conectada la manguera a la máquina o a la pistola de rociado cuando el sistema esté presurizado.
- NUNCA apunte la pistola a la gente, animales o plantas.
- NO fije la pistola rociadora en la posición abierta.
- NO abandone la pistola rociadora cuando la máquina esté en funcionamiento.
- NUNCA utilice una pistola rociadora cuyo seguro o protección para el gatillo no esté en perfecto estado de funcionamiento.
- Asegúrese en todo momento de conectar correctamente la pistola rociadora, las boquillas y los accesorios.

**▲ ADVERTENCIA** Los gases y el calor de escape podrían inflamar los materiales combustibles y las estructuras o dañar el depósito de combustible y provocar incendios, así como daños materiales, lesiones graves o incluso la muerte.



El contacto con la zona del silenciador podría producir quemaduras y lesiones graves.

- NO toque las superficies calientes y EVITE los gases del escape a alta temperatura.
- Permita que el equipo se enfríe antes de tocarlo.
- Deje un espacio mínimo de 1.5 m (5 pies) alrededor del limpiadora a presión, incluida la parte superior.
- Utilizar el motor en un terreno boscoso, con maleza o cubierto de hierba constituye una infracción al Código de recursos públicos de California, a menos que el sistema de escape esté equipado con una pantalla apagachispas, de acuerdo a la definición de la Sección 4442, que se mantenga en buenas condiciones de funcionamiento. En otros estados o jurisdicciones federales puede haber leyes similares en vigor. Póngase en contacto con el fabricante, el vendedor o el distribuidor del equipo original para obtener una pantalla apagachispas diseñada para el sistema de escape instalado en este motor.
- Las piezas de recambio deben ser las mismas que las piezas originales y estar instaladas en la misma posición.

## Cómo detener su máquina limpiadora a presión

1. Espere que el motor descanse.
2. Sitúe la palanca del acelerador en la posición "Slow" (**Lento**), indicada con una tortuga.
3. Mueva la interruptor de arranque a la posición "Off" ("**Lejos**").
4. Sitúe la palanca de la válvula de combustible en la posición "Off" ("**Lejos**").

**▲ ADVERTENCIA** El combustible y sus vapores son extremadamente inflamables y explosivos, lo que podría provocar quemaduras, incendios o explosiones; así como daños materiales, lesiones graves o incluso la muerte.



- NO coloque la palanca estranguladora en la posición "**Choke**" para parar el motor.

5. SIEMPRE fusil de punto en una dirección segura, presione el seguro (botón rojo) y el disparador del fusil del rocío del estrujón para liberar la presión retenida de la pleamar.

**▲ ADVERTENCIA** El chorro de agua a alta presión que este equipo produce podría atravesar la piel y los tejidos subcutáneos, que podrían provocar lesiones graves y la posible amputación de un miembro.



La pistola rociadora retiene agua a alta presión incluso con el motor parado y el agua desconectada; esto podría provocar lesiones graves.

- Mantenga conectada la manguera a la máquina o a la pistola de rociado cuando el sistema esté presurizado.
- SIEMPRE que pare el motor, apunte con la pistola rociadora hacia una dirección segura, pulse el botón rojo y apriete el gatillo para descargar la presión.

## Cómo usar las puntas de rocío

La extensión para boquillas de conexión rápida le permite usar cinco puntas de rocío diferentes. Siempre que esté activado el seguro del gatillo de la pistola rociadora, se pueden cambiar las puntas de rocío con la limpiadora a presión en funcionamiento. Las puntas de rocío tienen diferentes patrones de rociado como se ilustra a continuación.

### Para cambiar las puntas de rocío:

1. Desplace hacia atrás el anillo de conexión rápida y tire de las puntas de rocío. Guarde las puntas de rocío en el soporte situado en el asa.

**▲ ADVERTENCIA** El chorro de agua a alta presión que este equipo produce podría atravesar la piel y los tejidos subcutáneos, que podrían provocar lesiones graves y la posible amputación de un miembro.

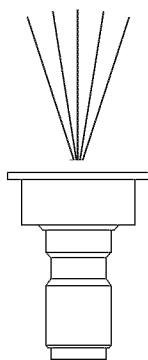
- NUNCA intercambie puntas de rocío sin haber asegurado el cerrojo de seguridad del gatillo.
- NO tuerza puntas de rocío al rociar.

2. Seleccione la punta de rocío deseada:
  - Para enjuague suave, seleccione la punta de rocío blanca de 40° o verde de 25°.
  - Para fregar la superficie, seleccione la punta de rocío amarilla de 15° o roja de 0°.
  - Para aplicar productos detergentes, seleccione la punta de rocío negra.
3. Desplace hacia atrás el anillo, inserte la nueva punta de rocío y suelte el anillo. Tire de la punta de rocío para comprobar que está bien montada.

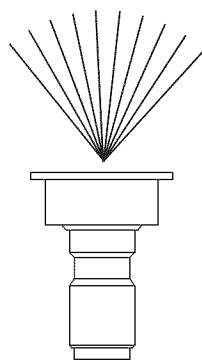
### Sugerencias de uso

- Para una limpieza más efectiva, mantenga la boquilla de rociado de 20 a 61 cm (8 a 24 pulgadas) de la superficie de limpieza.
- Si coloca la boquilla de rociado demasiado cerca podría dañar la superficie, especialmente cuando esté usando el modo de alta presión.
- NO coloque la boquilla a menos de 15 cm (6 pulgadas) cuando esté limpiando llantas.

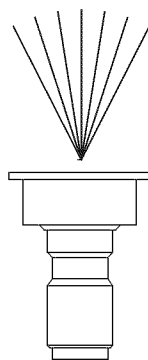
**La Presión Baja** Usada para aplicar químicos



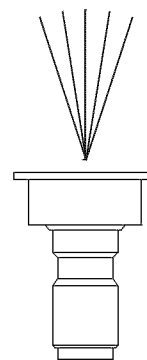
Negra



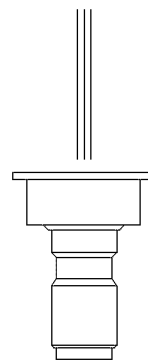
40°  
Blanca



25°  
Verde



15°  
Amarilla



0°  
Roja

## Limpieza y aplicación del detergente

**▲ ADVERTENCIA** Peligro de quemadura química.



Las sustancias químicas podrían provocar quemaduras, así como daños materiales, lesiones graves o incluso la muerte.

- NO use líquido cáustico con la limpiadora a presión.
- Use EXCLUSIVAMENTE detergentes o jabones especiales para la limpiadora a presión. Siga todas las instrucciones del fabricante.

### Para aplicar el detergente, siga los siguientes pasos:

1. Revise el uso de las puntas de rocío.
2. Prepare la solución detergente siguiendo las instrucciones del fabricante.
3. Coloque el extremo pequeño del filtro del tubo de inyección de detergente dentro del contenedor del detergente.

**AVISO** Asegúrese de que el filtro esté totalmente sumergido mientras aplica el detergente.

**AVISO** El contacto con el silenciador a alta temperatura podría producir daños en el tubo de inyección de detergente.

- Cuando coloque el filtro en la botella del detergente, coloque el tubo de manera que no entre en contacto accidentalmente con el silenciador caliente.

4. Asegúrese de que la punta de rocío negra esté instalada en la extensión para boquillas.

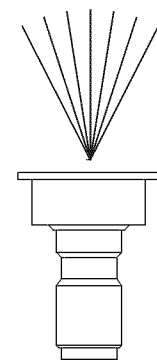
**AVISO** NO se puede aplicar detergente con las puntas de rocío de alta presión (Blanca, Verde, Amarilla o Roja).

5. Asegúrese de que la manguera del jardín está conectada a la entrada de agua. Compruebe que la manguera de alta presión está conectada a la pistola rociadora y a la bomba. Abra la alimentación de agua.

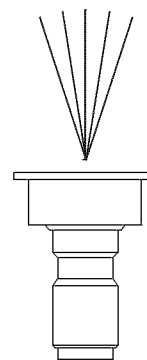
**AVISO** Usted deberá conectar todas las mangueras antes de darle arranque al motor.

- Si pone en marcha el motor sin haber conectado previamente todas las mangueras y sin haber ABIERTO el grifo, la bomba podría averiarse.
- El daño a la limpiadora a presión, resultado de la desatención a esta precaución, no será cubierto por la garantía.

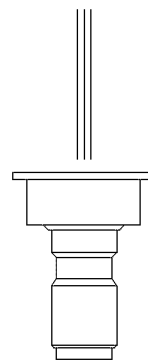
### La Presión Alta



25°  
Verde



15°  
Amarilla



0°  
Roja

6. Marche el motor siguiendo las instrucciones de la sección *Cómo poner en funcionamiento la limpiadora a presión*.
7. Aplique el detergente sobre la superficie seca, comenzando en la parte inferior del área y dirigiéndose hacia arriba, utilizando movimientos largos, parejos y superpuestos.
8. Permita que el detergente penetre de 3 a 5 minutos antes de enjuagar. Vuelva a aplicar cuando sea necesario para evitar que la superficie se seque. NO permita que el detergente se seque. Si permite que el detergente se seque, la superficie podría quedar con manchas.

**AVISO** Usted deberá lavar el sistema de inyección de químicos después de cada uso colocando el filtro en un balde de agua limpia y haciendo funcionar la máquina limpiadora a presión de 1 a 2 minutos en el modo de baja presión.

## Enjuague de la máquina limpiadora a presión

### Para Enjuague:

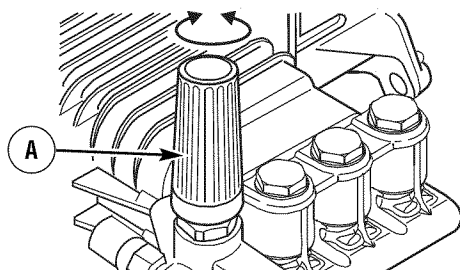
1. Retire la punta de rocío negra para detergente de la extensión para boquillas.
2. Seleccione e instale la punta de rocío de alta presión que desee siguiendo las instrucciones de *Cómo usar las puntas de rocío*.
3. Mantenga la pistola de rociado a una distancia segura del área que planea rociar.

**▲ ADVERTENCIA** El retroceso de la pistola rociadora podría provocar caídas con lesiones graves o la muerte.



- Utilice la limpiadora a presión desde una superficie estable.
- Extreme las precauciones si necesita utilizar la limpiadora a presión desde una escalera, un andamio u otro lugar similar.
- Sujete firmemente la pistola rociadora con ambas manos cuando aplique un rociado a alta presión para evitar lesiones cuando se produzca el retroceso de la pistola.

4. Aumente (disminuya) la presión de rociado al darle vuelta a la perilla (A) en la dirección de las manecillas del reloj (en dirección opuesta). Use una presión más baja para lavar cosas como carros o botes. Use una presión más alta para eliminar pintura y grasa de calzadas.



5. Aplique un rociado de alta presión en un área pequeña, después revise si la superficie presenta daños. Si no encuentra daños, puede continuar con el trabajo de limpieza.
6. Comience en la parte superior del área que va a enjuagar, dirigiéndose hacia abajo con los mismos movimientos superpuestos que utilizó para la limpieza.

## Limpieza del tubo de inyección de detergente

Si usó el tubo, debe lavarlo con agua limpia antes de parar el motor.

1. Coloque el filtro y la inyección de detergente en un balde lleno de agua limpia.
2. Quite la punta de rocío de alta presión del prolongador de la boquilla.
3. Seleccione e instale la punta de rocío negra (detergente) siguiendo las instrucciones de la sección *Cómo usar las puntas de rocío*.
4. Lave de 1 a 2 minutos.
5. Pare el motor siguiendo las instrucciones de la sección *Cómo detener su limpiadora a presión* y cierre la entrada de agua.
6. SIEMPRE apunte la pistola rociadora hacia una dirección segura, oprima el botón rojo y apriete el gatillo de la pistola rociadora para liberar la presión.

**▲ ADVERTENCIA** El chorro de agua a alta presión que este equipo produce podría atravesar la piel y los tejidos subcutáneos, que podrían provocar lesiones graves y la posible amputación de un miembro.



La pistola rociadora retiene agua a alta presión incluso con el motor parado y el agua desconectada; esto podría provocar lesiones graves.

- Mantenga conectada la manguera a la máquina o a la pistola de rociado cuando el sistema esté presurizado.
- SIEMPRE que pare el motor, apunte con la pistola rociadora hacia una dirección segura, pulse el botón rojo y apriete el gatillo para descargar la presión.

## Sistema de enfriamiento automático (alivio térmico)

El agua que circula dentro de la bomba puede alcanzar temperaturas entre los 125°-155°F si hace funcionar el motor de su máquina limpiadora a presión de 3 a 5 minutos sin oprimir el gatillo de la pistola de rociado. El sistema de enfriamiento automática se activa a esta temperatura y enfría la bomba **descargando agua caliente en el piso, evitando así el daño interno de la bomba.**



# MANTENIMIENTO

## ESPECIFICACIONES DEL PRODUCTO

### Especificaciones de la máquina limpiadora a presión

Presión	3,800 PSI*
Velocidad de flujo	4,0 GPM
Mezcla de químicos	Use según instrucciones
Temperatura del suministro de agua	Que no exceda los 100°F
Capacidad de la bomba de aceite	0.35 l (12 fl. oz.)

### Especificaciones del motor

Caballos de Fuerza	13 a 3600 rpm
Diámetro de camisa	.88 mm (3,5 pulgadas)
Carrera	.64 mm (2,5 pulgadas)
Desplazamiento	.389 cc (23,7 pulgadas)
Bujía	
Resistor:	NGK BPR6ES
Calibrar Separación a:	0,028-0,031 pulgadas (0,70-0,80mm)
Admisión	0,15 mm ± 0,02 mm (frío)
Escape	0,20 mm ± 0,02 mm (frío)
Capacidad de Gasolina	1.72 galones
Tipo de Aceite	SAE 10W-30

\* Esta limpiadora a presión está clasificada conforme a la norma PW101 (comprobación y clasificación de rendimiento de limpiadoras a presión) de la Asociación de fabricantes de bombas a presión (Pressure Washer Manufacturers Association, PWMA).

## RESPONSABILIDADES DEL PROPIETARIO

Siga el programa de mantenimiento según el número de horas o según el calendario, lo que suceda primero. Se requiere de servicio con mayor frecuencia cuando opere la unidad en las condiciones adversas descritas a continuación.

### Plan de mantenimiento

<b>Primeras 20 Horas</b>
<ul style="list-style-type: none"> <li>Cambie el aceite del motor</li> </ul>
<b>Cada 8 horas o diario</b>
<ul style="list-style-type: none"> <li>Revise/limpie el filtro de la entrada de agua<sup>1</sup></li> <li>Revise la manguera de alta presión</li> <li>Revise la manguera del detergente</li> <li>Revise la pistola aspersora y verifique que no haya fugas en el ensamblaje</li> <li>Limpie los residuos</li> <li>Compruebe el filtro de aire</li> <li>Compruebe el nivel de aceite</li> </ul>
<b>Cada 50 horas ó 3 meses</b>
<ul style="list-style-type: none"> <li>Limpie el filtro de aire<sup>2</sup></li> </ul>
<b>Cada 100 horas ó 6 meses</b>
<ul style="list-style-type: none"> <li>Cambiar el aceite del motor</li> <li>Limpie el recipiente para sedimentos</li> <li>Compruebe y ajuste la bujía</li> <li>Servicio al sistema de la bujía<sup>1</sup></li> <li>Limpie el depósito de combustible y el filtro</li> </ul>
<b>Cada 200 horas ó 3 meses</b>
<ul style="list-style-type: none"> <li>Cambio del aceite de la bomba<sup>5</sup></li> </ul>
<b>Cada 300 horas ó año</b>
<ul style="list-style-type: none"> <li>Sustituya el filtro de aire<sup>3</sup></li> <li>Sustituya la bujía</li> <li>Compruebe y ajuste el ralenti<sup>4</sup></li> <li>Compruebe y ajuste de holgura de las válvulas<sup>4</sup></li> </ul>
<b>Cada 500 horas</b>
<ul style="list-style-type: none"> <li>Limpie la cámara de combustión<sup>4</sup></li> </ul>
<b>Cada 2 años</b>
<ul style="list-style-type: none"> <li>Compruebe el tubo de combustible (sustituir si es necesario)<sup>4</sup></li> </ul>

<sup>1</sup> Limpiar si está obstruido. Reemplazar si está perforado o roto.

<sup>2</sup> Sustitúyalo con más frecuencia en condiciones de suciedad o polvo.

<sup>3</sup> Sustituya únicamente el elemento de papel.

<sup>4</sup> Para reparar estos elementos, acuda al servicio técnico de su distribuidor.

<sup>5</sup> Cambie el aceite después de las primeras 50 horas de funcionamiento y luego, cada 200 horas o 3 meses, lo que suceda antes.

## Recomendaciones generales

El mantenimiento periódico mejorará el rendimiento y prolongará la vida útil del limpiadora a presión. Si necesita asistencia, consulte con un distribuidor de Sears o con otro distribuidor cualificado.

La garantía de la máquina limpiadora a presión NO cubre los elementos que han sido sujetos a abuso o negligencia por parte del operador. Para hacer válida la cobertura total de la garantía, el operador deberá mantener la lavadora de presión tal y como se indica en el manual, incluyendo su adecuado almacenamiento, como se describe en la sección *Almacenamiento en el Invierno y Almacenamiento prolongado*.

**AVISO** Una vez al año, usted deberá limpiar o reemplazar la bujía y el filtro de aire. Una bujía nueva y un filtro de aire limpio garantizan una mezcla de combustible-aire adecuada y le ayuda a su motor a funcionar mejor y a tener una vida útil más prolongada.

## Control de emisiones

**Cualquier establecimiento o individuo especializado en la reparación de motores que no sean de automoción puede encargarse del mantenimiento, la sustitución y la reparación de los dispositivos y sistemas de control de emisiones.** No obstante, para realizar la revisión gratuita de control de emisiones, deberá acudir a un distribuidor autorizado por el fabricante. Véase *Garantía de emisiones*.

## Antes de cada uso

1. Revise el nivel de aceite del motor.
2. Limpie los residuos.
3. Revise si existen daños en el colador de la entrada de agua.
4. Revise si existen daños en el manguera de alta presión.
5. Revise si existen fugas en el conjunto de la extensión para boquilla y pistola.
6. Elimine el aire y los contaminantes de la bomba.

## MANTENIMIENTO DE LA MAQUINA LIMPIADORA A PRESIÓN

### Limpie los residuos

Limpie a diario, o antes de cada uso, los residuos acumulados en el limpiadora a presión. Mantenga limpias las conexiones, los muelles y los mandos. Limpie todo resto de combustible de la zona que rodea al silenciador y de detrás del mismo. Inspeccione las ranuras para aire de enfriamiento y la apertura del limpiadora a presión. Estas aperturas deberán mantenerse limpias y despejadas.

Mantenga limpios los componentes del limpiadora a presión para reducir el riesgo de sobrecalentamiento e ignición de los residuos acumulados.

- Utilice un trapo húmedo para limpiar las superficies exteriores.

**AVISO** El tratamiento inadecuado del limpiadora a presión puede dañarlo y acortar su vida productiva.

- NO inserte cualquier objeto a través de las ranuras de enfriamiento.
- Puede usar un cepillo de cerdas suaves para retirar la suciedad endurecida, aceite, etc.
- Puede usar una máquina aspiradora para eliminar suciedad y residuos sueltos.

## Revise y limpie el colador de entrada

Examine el colador de entrada de la manguera de jardín. Límpielo si está tapado o reemplacelo si está roto.

## Revise la manguera de alta presión

Las mangueras de alta presión pueden desarrollar fugas debido al desgaste, dobleces o abuso. Revise la manguera antes de cada uso. Revise si existen cortes, fugas, abrasiones, levantamiento de la cubierta, daño o movimiento de los acoplamientos. Si existe cualquiera de estas condiciones, reemplace la manguera inmediatamente.

**▲ ADVERTENCIA** El chorro de agua a alta presión que este equipo produce podría atravesar la piel y los tejidos subcutáneos, que podrían provocar lesiones graves y la posible amputación de un miembro.

- NUNCA repare la manguera de alta presión. Reemplacela.
- La capacidad de la manguera DEBE ser igual o superar la presión nominal máxima de la unidad.

## Revise la pistola


Examine la conexión de la manguera con la pistola rociadora y asegúrese de que es correcta. Pruebe el gatillo apretando el botón rojo para asegurarse de que el gatillo vuelve a su posición original cuando se suelta. No debe ser posible apretar el gatillo sin apretar el botón rojo. Cambie inmediatamente la pistola rociadora si falla cualquiera de estas pruebas.

## Bola de retención de inyección de detergente

En ocasiones, la bola de retención se atasca en el sistema de inyección de detergente cuando ha pasado almacenado o por acumulación de jabón seco o minerales en el agua. La bola de retención se puede desatascar mediante los siguientes pasos:

**AVISO** Antes de realizar este procedimiento, asegúrese de usar gafas de seguridad como se describe abajo.


**▲ ADVERTENCIA** Riesgo de lesiones oculares.

 El agua rociada podría salpicar o propulsar objetos, lo que puede provocar lesiones graves.

- Cuando utilice este equipo o esté cerca de él, siempre use gafas de seguridad con ventilación indirecta (contra salpicaduras de productos químicos) marcadas para cumplir con ANSI Z87.1.
- NUNCA se ponga gafas de seguridad ni gafas para entornos secos como sustituto de las gafas de seguridad con ventilación indirecta.

1. Apague el motor y apague el suministro de agua.
2. Apunte SIEMPRE con la pistola rociadora hacia una dirección segura, pulse el botón rojo y apriete el gatillo para descargar el agua a alta presión restante.

**▲ ADVERTENCIA** El chorro de agua a alta presión que este equipo produce podría atravesar la piel y los tejidos subcutáneos, que podrían provocar lesiones graves y la posible amputación de un miembro.

 La pistola rociadora retiene agua a alta presión incluso con el motor parado y el agua desconectada; esto podría provocar lesiones graves.

- Mantenga conectada la manguera a la máquina o a la pistola de rociado cuando el sistema esté presurizado.
- SIEMPRE que pare el motor, apunte con la pistola rociadora hacia una dirección segura, pulse el botón rojo y apriete el gatillo para descargar la presión.

3. Retire la manguera de inyección de detergente del acoplamiento dentado de la bomba.
4. Inserte suavemente un objeto sólido sin punta de 2,7 mm (7/64 pulg.) de diámetro o más pequeño, pero de por lo menos 2,54 cm (1 pulg.) de largo, como una llave Allen, en el acoplamiento dentado hasta encontrar resistencia. Esta resistencia es la bola de retención.
5. Empuje hacia abajo lentamente hasta sentir que la bola se mueve ligeramente, no empuje más de 3,1 cm (1/8 pulg.). Tal vez sea necesario ejercer un poco de presión para desatascar la bola.
6. Repita los pasos 4 y 5, si es necesario.
7. Vuelva a colocar la manguera de inyección de detergente en el acoplamiento dentado.
8. Dé tratamiento con PumpSaver como se describe en *Protección de la bomba* durante el almacenamiento para evitar que esto vuelva a ocurrir.

## Mantenimiento de las puntas de rocío

Si siente una sensación pulsante al momento de apretar el gatillo de la pistola rociadora, puede que sea causada por la presión excesiva en la bomba. La causa principal de la presión excesiva en la bomba es cuando la punta de rocío se encuentra atascada o tapada con materiales extraños, tales como tierra, etc. Para corregir el problema, limpie inmediatamente la punta de rocío siguiendo las instrucciones siguientes:

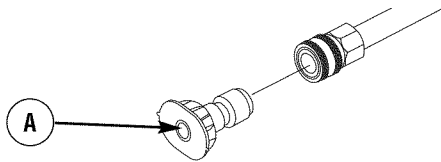
1. Apague el motor y el suministro de agua.
2. SIEMPRE apunte la pistola rociadora hacia una dirección segura, oprima el botón rojo y apriete el gatillo de la pistola rociadora para liberar la presión.

**▲ ADVERTENCIA** El chorro de agua a alta presión que este equipo produce podría atravesar la piel y los tejidos subcutáneos, que podrían provocar lesiones graves y la posible amputación de un miembro.



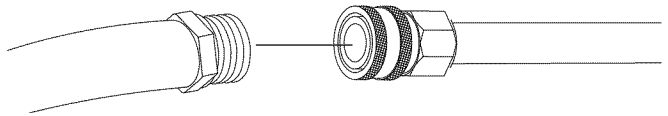
La pistola rociadora retiene agua a alta presión incluso con el motor parado y el agua desconectada; esto podría provocar lesiones graves.

- Mantenga conectada la manguera a la máquina o a la pistola de rociado cuando el sistema esté presurizado.
  - SIEMPRE que pare el motor, apunte con la pistola rociadora hacia una dirección segura, pulse el botón rojo y apriete el gatillo para descargar la presión.
3. Remueva la punta de rocío del extremo de la extensión para boquillas.
  4. Use un sujetapapeles pequeño para liberar cualquier material extraño que esté tapando la punta de rocío (A).



5. Retire la extensión para boquillas de la pistola.

6. Usando una manguera de jardín, remueva cualquier desecho adicional, poniendo agua en la extensión de la boquilla. Haga esto en un intervalo de 30 a 60 segundos.



7. Instale de nuevo la punta de rocío en la extensión.
8. Conecte de nuevo la extensión de la boquilla a la pistola rociadora.
9. Asegúrese de que la manguera de jardín está conectada a la entrada de agua. Compruebe que la manguera de alta presión está conectada a la pistola rociadora y a la bomba. Abra la entrada de agua.
10. Encienda el motor siguiendo las instrucciones de la sección *Cómo arrancar su limpiadora a presión*.
11. Pruebe la limpiadora a presión haciendo funcionar cada una de las puntas de rocío de conexión rápida que vienen con la limpiadora a presión.

## Mantenimiento de los anillos 'o'

Compre una O-Juego de Reparación de Anillo en sus Sears locales o llamando **1-800-4-MY-HOME (469-4663)** o en línea en [www.sears.com](http://www.sears.com). No se incluye con la arandela de la presión. Este juego incluye los anillos del reemplazo O, arandela de caucho y filtro de cala de agua. Refiérase a la hoja de la instrucción proporcionada en el juego para atender a su unidad los anillos de s O.

**▲ ADVERTENCIA** El chorro de agua a alta presión que este equipo produce podría atravesar la piel y los tejidos subcutáneos, que podrían provocar lesiones graves y la posible amputación de un miembro.



- NUNCA utilice ningún tipo de sellador para reparar una fuga en una conexión. Sustituya la junta tórica o la junta.

## Mantenimiento de la bomba de aceite

### Cambio de aceite de la bomba

Cambie el aceite después de las primeras 50 horas de funcionamiento y luego, cada 200 horas o 3 meses, lo que suceda antes.

**AVISO** Al cambiar el aceite de la bomba, use exclusivamente aceite no detergente de alta calidad de viscosidad 30. NO utilice aditivos especiales.

### Cambie el aceite como se indica a continuación:

1. Limpie la zona de alrededor del tapón de vaciado de aceite de latón que se encuentra en la parte inferior de la bomba.
2. Retire el tapón de vaciado de aceite. Vacíe todo el aceite de la bomba en un recipiente homologado.
3. Cuando la bomba se haya vaciado completamente de aceite, vuelva a colocar el tapón de vaciado y apriételo firmemente.
4. Limpie la zona de alrededor de la varilla de nivel de aceite de la bomba. Extraiga la varilla de nivel y llene la bomba con el aceite recomendado (aproximadamente, 0,35 l o 12 oz.) hasta que el nivel alcance la marca "Full" (Lleno) de la varilla.
5. Instale la varilla de nivel de aceite.
6. Limpie el aceite que se haya podido derramar.

## MANTENIMIENTO DEL MOTOR

**▲ ADVERTENCIA** Las chispas involuntarias podrían provocar incendios o electrocución que pueden provocar lesiones graves o la muerte.



### CUANDO AJUSTE O HAGA REPARACIONES A SU MÁQUINA LIMPIADORA A PRESIÓN

- Siempre desconecte el alambre de la bujía y colóquelo donde no pueda entrar en contacto con la bujía.

### CUANDO PRUEBE LA BUJÍA DEL MOTOR

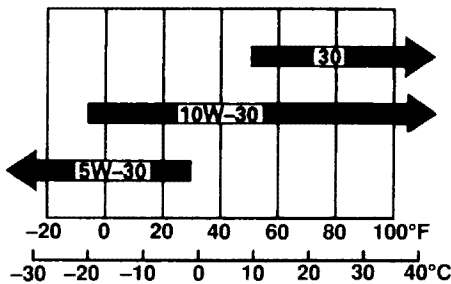
- Utilice un comprobador de bujías homologado.
- NO compruebe la chispa sin la bujía instalada.

## Aceite

### Recomendaciones sobre el aceite

**AVISO** Cuando añada aceite al cárter del motor, utilice sólo aceite detergente de automoción para motores de cuatro tiempos de alta calidad con clasificación de servicio API SJ o SL y viscosidad SAE 10W-30. NO utilice aditivos especiales.

1. Seleccione una viscosidad de acuerdo a la tabla siguiente.



Temperatura Ambiente

**AVISO** Las otras viscosidades que se indican en la tabla se pueden utilizar siempre que la temperatura media de su zona esté dentro de los límites recomendados.

### Comprobación del nivel de aceite

Compruebe el nivel de aceite antes de cada uso o cada 8 horas de funcionamiento, como mínimo. Rellene si es necesario.

1. Coloque el limpiadora a presión sobre una superficie nivelada.
2. Retire la varilla de medición y limpie la varilla de medición. Instale el varilla de medición. Quite y verifique nivel del aceite.
3. Compruebe que el aceite hasta la marca "Full" de la varilla de medición. Instale el varilla de medición, apriete firmemente.

### Adición de aceite del motor

1. Coloque el limpiadora a presión sobre una superficie nivelada.
2. Compruebe el nivel de aceite tal como se indica en la sección *Comprobación del nivel de aceite*.
3. Au besoin, videz lentement l'huile dans l'orifice de remplissage d'huile, jusqu'à ce qu'elle déborde par l'orifice du couvercle de remplissage d'huile.
4. Instale el varilla de medición, apriete firmemente.

### Cambio de aceite del motor

Cambie el aceite del motor después de las primeras 20 horas y cada 100 horas o 6 meses a partir de ese momento. Si está utilizando su máquina limpiadora a presión bajo condiciones de extrema suciedad o polvo, o en un clima demasiado caliente, haga el cambio de aceite con mayor frecuencia.

**▲ PRECAUCIÓN** Evite el contacto prolongado o repetido de piel con aceite usado de motor.

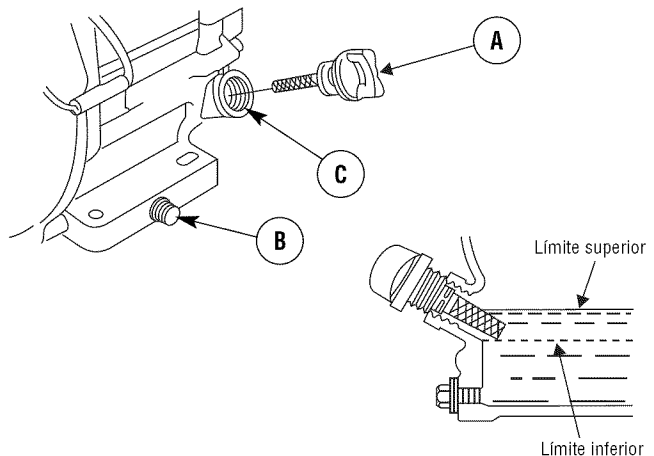
- El aceite usado del motor ha sido mostrado al cancer de la piel de la causa en ciertos animales del laboratorio.
- Completamente lavado expuso áreas con el jabón y el agua.



MANTENER FUERA DEL ALCANCE DE LOS NIÑOS. NO CONTAMINE. CONSERVE LOS RECURSOS. DEPOSITE EL ACEITE USADO EN UN PUNTO DE RECOGIDA.

Cambie el aceite con el motor caliente después del funcionamiento, como se indica a continuación:

1. Desconecte alambre de bujía y lo mantiene lejos del bujía.
2. Coloque un recipiente adecuado debajo del motor para recoger el aceite usado. Quite la varilla de nivel de aceite (A), el tapón de vaciado (B) y la arandela.



3. Vacíe completamente el aceite. Vuelva a colocar el tapón de vaciado y la arandela. Apriete firmemente el tapón de vaciado.
4. Coloque la limpiadora a presión en una superficie plana.
5. Vierta lentamente aceite en la abertura de llenado (C). Haga pausas para permitir que el aceite se deposite. Llene hasta el borde del orificio de llenado.
6. Enrosque la varilla de nivel de aceite y apriétela firmemente.
7. Limpie los residuos de aceite.
8. Conecte de nuevo alambre de bujía al bujía.

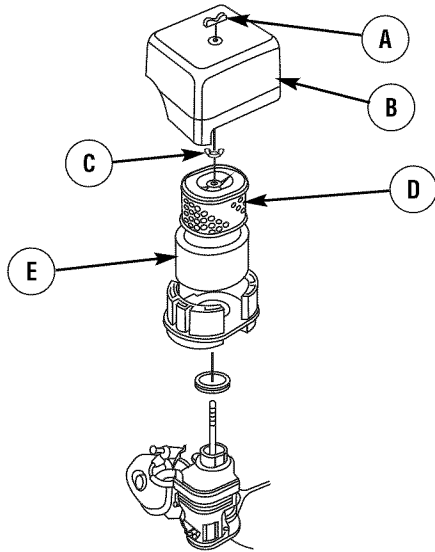
### Servicio del depurador de aire

Su motor no funcionará adecuadamente y puede dañarse si usted lo hace funcionar con un depurador de aire sucio.

Limpie el filtro de aire cada 50 horas de funcionamiento o cada tres meses, lo que suceda antes. Suministre servicio más frecuentemente si la unidad funciona bajo condiciones de mucha suciedad o polvo. Cambie el filtro de papel cada 300 horas o una vez al año, lo que suceda antes. Los repuestos se encuentran disponibles en su centro de servicio local Sears.

Para dar servicio al filtro de aire, siga los pasos que se detallan a continuación:

1. Quite la tuerca de mariposa (A) de la tapa del filtro de aire (B) y quite la tapa.



2. Quite la tuerca de mariposa (C) del filtro de aire (D) y quite el filtro.
3. Quite el filtro de espuma (E) del filtro de papel.
4. Inspeccione ambos elementos del filtro de aire. Sustitúyalos si presentan daños.
5. Limpie el elemento de papel del filtro de aire golpeándolo contra una superficie dura para eliminar la suciedad. Alternativamente, sople a través del elemento del filtro con aire comprimido (a no más de 30 psi) desde el interior.

**AVISO** NUNCA cepille el elemento para eliminar la suciedad, sólo conseguiría incrustarla en las fibras.

6. Limpie el elemento de espuma del filtro de aire en agua templada con jabón, aclárelo y séquelo completamente. Alternativamente, límpielo con un disolvente no inflamable y déjelo secar. Sumerja el elemento de espuma en aceite de motor limpio y escúrralo para eliminar el exceso de aceite.

**AVISO** El motor producirá humo si la espuma contiene demasiado aceite.

7. Utilice un trapo húmedo para eliminar la suciedad desde el interior de la base y la tapa del filtro de aire. No deje que la suciedad entre por el conducto de aire que va hasta el carburador.
8. Coloque el elemento de espuma del filtro de aire sobre el elemento de papel y vuelva a montar el conjunto del filtro de aire. Asegúrese de que la junta situada bajo el filtro de aire esté bien colocada. Apriete firmemente la tuerca de mariposa del filtro de aire.
9. Instale la tapa del filtro de aire y apriete firmemente su tuerca de mariposa.

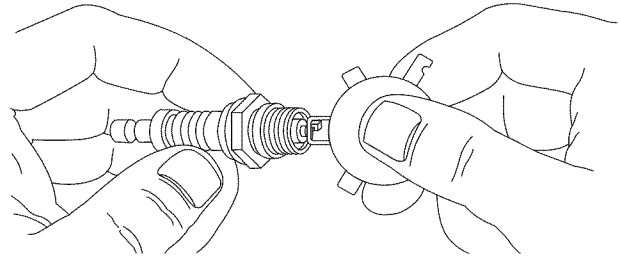
**AVISO** Usted puede comprar los elementos del filtro de aire nuevos llamando al **1-800-4-MY-HOME (469-4663)**.

## Reemplace la bujía

Cheque y ajusta la bujía anualmente o cada 100 horas de operación. Reemplace la bujía anualmente o cada 300 horas de operación.

1. Limpie el área alrededor de la bujía.

2. Retire y revise la bujía.
3. Cambie la bujía si los electrodos están desgastados, o si el aislador está roto o partido.
4. Revise la separación del electrodo con un calibrador de alambre y ajuste la separación a 0.028-0.031 pulgadas (0.70-0.80 mm), si es necesario.



5. Instale la bujía y apriete la firmemente.

**AVISO** Puede adquirir nuevas bujías al número telefónico **1-800-4-MY-HOME (469-4663)**.

## Carburador

Si usted cree que su carburador necesita ajuste, visite su centro de servicio Sears más cercano. El funcionamiento del motor podría resultar afectado a altitudes por encima de 5000 pies. Para operaciones a elevaciones mayores, póngase en contacto con el centro de servicio Sears más cercano.

## Inspeccione el silenciador y la pantalla apagachispas

Inspeccione que el silenciador no presente fisuras, corrosión u otros daños. Desmonte la pantalla apagachispas, si cuenta con una, y verifique que no presente daños ni obstrucción por carbón. En caso de que se necesiten piezas de recambio, asegúrese de usar solamente piezas de recambio originales para el equipo.

Para obtener el número de parte llame al **1-800-4-MY-HOME (469-4663)**.

### ⚠ ADVERTENCIA



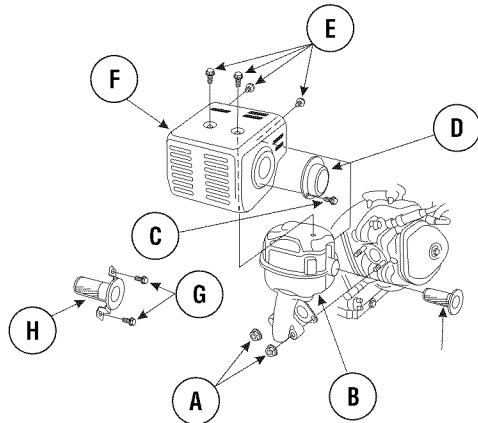
Los gases y el calor de escape podrían inflamar los materiales combustibles y las estructuras o dañar el depósito de combustible y provocar incendios, así como daños materiales, lesiones graves o incluso la muerte.

El contacto con la zona del silenciador podría producir quemaduras y lesiones graves.

- NO toque las superficies calientes y EVITE los gases del escape a alta temperatura.
- Permita que el equipo se enfríe antes de tocarlo.
- Deje un espacio mínimo de 1.5 m (5 pies) alrededor del limpiadora a presión, incluida la parte superior.
- Utilizar el motor en un terreno boscoso, con maleza o cubierto de hierba constituye una infracción al Código de recursos públicos de California, a menos que el sistema de escape esté equipado con una pantalla apagachispas, de acuerdo a la definición de la Sección 4442, que se mantenga en buenas condiciones de funcionamiento. En otros estados o jurisdicciones federales puede haber leyes similares en vigor. Póngase en contacto con el fabricante, el vendedor o el distribuidor del equipo original para obtener una pantalla apagachispas diseñada para el sistema de escape instalado en este motor.
- Las piezas de recambio deben ser las mismas que las piezas originales y estar instaladas en la misma posición.

### Limpie e inspeccione el apagachispas de la siguiente manera:

1. Quite las dos tuercas de 8 mm (A) y extraiga el silenciador (B) del cilindro.



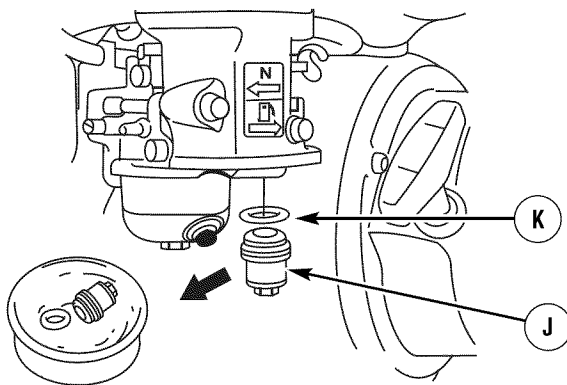
2. Quite los tres tornillos de 4 mm (C) del deflector de escape (D) y retire el deflector.
3. Quite los cuatro tornillos de 5 mm (E) del protector del silenciador (F) y retire el protector.
4. Quite los tornillos de 4 mm (G) del apagachispas (H) y separe este del silenciador.
5. Utilice un cepillo para eliminar la carbonilla acumulada en la pantalla del apagachispas. Tenga cuidado de no dañar la pantalla.

**AVISO** La pantalla del apagachispas no debe estar rota ni agujereada. Sustituya el apagachispas si presenta daños.

6. Monte el apagachispas, el protector del silenciador, el deflector de escape y el silenciador siguiendo el orden inverso de desmontaje.

### Limpieza del recipiente para sedimentos

1. Sitúe la válvula de combustible en la posición "Off" y retire después el recipiente para sedimentos (J) y la junta tórica (K).



2. Lave el recipiente y la junta tórica con disolvente no inflamable. Seque a fondo.
3. Coloque la junta tórica en la válvula de combustible e instale el recipiente para sedimentos. Apriete firmemente el recipiente para sedimentos.
4. Sitúe la válvula de combustible en la posición "On" y compruebe si hay fugas. En caso afirmativo, sustituya la junta tórica.

### DESPUES DE CADA USO

No deberá haber agua en la unidad por largos períodos de tiempo. Los sedimentos de minerales se pueden depositar en partes de la bomba y "congelar" su funcionamiento. Lleve a cabo estos procedimientos después de cada uso:

1. Pare el motor, cierre la alimentación de agua, apunte con la pistola rociadora hacia una dirección segura, pulse el botón rojo y apriete el gatillo para descargar la presión. Deje enfriar el motor.

**⚠ ADVERTENCIA** El chorro de agua a alta presión que este equipo produce podría atravesar la piel y los tejidos subcutáneos, que podrían provocar lesiones graves y la posible amputación de un miembro.

La pistola rociadora retiene agua a alta presión incluso con el motor parado y el agua desconectada; esto podría provocar lesiones graves.

- Mantenga conectada la manguera a la máquina o a la pistola de rociado cuando el sistema esté presurizado.
- SIEMPRE que pare el motor, apunte con la pistola rociadora hacia una dirección segura, pulse el botón rojo y apriete el gatillo para descargar la presión.

2. Desconecte manga del fusil del rocío y salida alta de presión en la bomba. Desagüe agua de la manga, del fusil, y de la extensión de boquilla. Use un harapo para quitar la manga.
3. Saque todos los líquidos de la bomba halando la manija de retroceso aproximadamente 6 veces. Esto deberá evacuar la mayoría del líquido de la bomba.
4. Enrosque la manguera de alta presión en la abrazadera de la manguera de la asa.
5. Almacene la unidad en una área limpia y seca.
6. Si planea almacenar la unidad por más de 30 días, vea la sección *Almacenamiento Prolongado* en próxima página.

**⚠ ADVERTENCIA** El combustible y sus vapores son extremadamente inflamables y explosivos, lo que podría provocar quemaduras, incendios o explosiones; así como daños materiales, lesiones graves o incluso la muerte.

#### CUANDO ALMACENE O GUARDE EL EQUIPO CON COMBUSTIBLE EN EL TANQUE

- Manténgalo alejado de calderas, estufas, calentadores de agua, secadoras de ropa u otros aparatos que utilicen llama piloto u otras fuentes de ignición que podrían inflamar los vapores de combustible.

# ALMACENAMIENTO

## ALMACENAMIENTO PARA INVIERNO

**AVISO** Usted deberá proteger su unidad de las temperaturas de congelamiento.

- Si no lo hace, dañará permanentemente la bomba y la unidad no podrá funcionar.
- La garantía no cubre el daño de la unidad ocasionado por congelamiento.

### Para proteger la unidad de las temperaturas de congelamiento:

1. Siga los pasos 1-4 en la sección previa *Después de Cada Uso*.
2. Utilice un protector de bomba, disponible en Sears con el número de catálogo 7174403 para cuidar la bomba. Aquél protege a la unidad contra el congelamiento y lubrica tanto los pistones como los empaques.
3. Si el protector de bomba no está disponible, conecte un tramo de 3 pies de manguera de jardín a la entrada de agua. Vierta anticongelante RV (anticongelante sin alcohol) en la manguera. Jale la manija de arranque dos veces. Desconecte después la manguera de 3 pies.
4. Almacene la unidad en una área limpia y seca.

## ALMACENAMIENTO PROLONGADO

Si usted no planea usar la máquina limpiadora a presión por más de 30 días, deberá preparar el motor para un almacenamiento prolongado.

Es importante evitar la formación de depósitos de goma en las partes esenciales del sistema del combustible tales como carburador, filtro del combustible, manguera o tanque del combustible durante el almacenamiento. También, la experiencia indica que los combustibles con mezclas de alcohol (llamados gasohol, etanol o metanol) pueden atraer la humedad, lo que lleva a la separación y formación de ácidos durante el almacenamiento. La gasolina ácida puede dañar el sistema del combustible de un motor durante el almacenamiento.

## Proteja el sistema de combustible

### Aditivo para combustible:

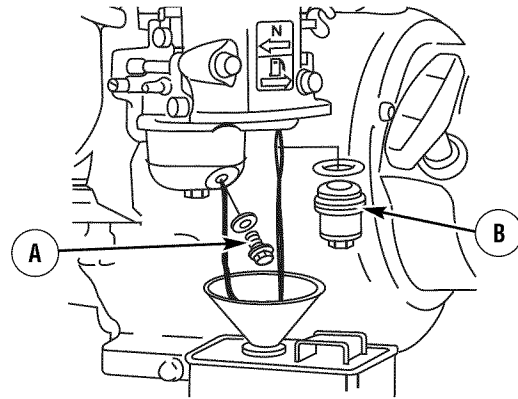
Si va a usar aditivo para combustible, llene el tanque de combustible con gasolina fresca. Si el tanque está parcialmente lleno, el aire del tanque va a promover el deterioro del combustible durante el almacenamiento. El motor y el combustible pueden ser almacenados hasta 24 meses con aditivo.

- Deposite el aditivo para combustible siguiendo las instrucciones del fabricante.
- Asegúrese de tener conectado y ABIERTO el suministro de agua a la entrada de la bomba.
- Ponga en funcionamiento el motor en un área descubierta por 10 minutos para asegurarse de que la gasolina tratada ha reemplazado la gasolina no tratada del carburador.
- Pare el motor y sitúe la palanca de la válvula de combustible en la posición "Off".

### Vaciado del depósito de combustible y del carburador:

Si no utiliza aditivos para el combustible, vacíe todo el combustible del depósito y el carburador.

- Coloque un recipiente homologado bajo el carburador y utilice un embudo para no derramar el combustible.
- Quite el tornillo de vaciado del carburador (A) y el recipiente para sedimentos (B) y sitúe la palanca de la válvula de combustible en la posición "On".



- Una vez vaciado todo el combustible, vuelva a montar el tornillo de vaciado y el recipiente para sedimentos y apriételos bien.

## Cambio de aceite del motor

Con el motor todavía caliente, drene el aceite de la caja del cigüeñal. Vuelva a llenarlo con el grado de aceite recomendado. Vea *Cambio de Aceite del Motor* en la sección *Mantenimiento del Motor*.

## Aceite el diámetro interior del cilindro

- Retire la bujía. Rocíe aproximadamente 1 cucharón de aceite limpio para motor dentro del cilindro. Cubra el orificio de la bujía con un trapo. Hale la manija de retroceso lentamente para distribuir el aceite. Evite el rociado del orificio de la bujía.
- Instale la bujía. NO conecte el alambre de la bujía.

## Protección de la bomba

Para proteger la bomba frente a los daños que causan los depósitos minerales o la congelación, use PumpSaver, número de catálogo 7174403, para cuidar la bomba. Esto evita los daños derivados de la congelación y lubrica los pistones y las juntas.

**AVISO** Usted deberá proteger su unidad de las temperaturas de congelamiento.

- Si no lo hace, dañará permanentemente la bomba y la unidad no podrá funcionar.
- La garantía no cubre el daño de la unidad ocasionado por congelamiento.

**AVISO** El PumpSaver están disponible sólo como un accesorio opcional. NO es incluido con la arandela de la presión. Avise el más cercano servicio autorizado central para comprar PumpSaver.

Al uso el PumpSaver, cerciórese la arandela de la presión se apaga y desconecta del agua del suministro. Lea y siga todas instrucciones y las advertencias dadas en el contenedor de PumpSaver.

## Otras sugerencias para el almacenamiento

1. NO guarde combustible de una temporada a otra a menos que lo haya tratado como se indica en la sección *Aditivo para combustible*.
2. Reemplace la caneca de gasolina si comienza a oxidarse. El óxido y/o la suciedad en la gasolina le causará problemas.
3. Cubra su unidad con una cubierta de protección adecuada que no retenga humedad.

**▲ ADVERTENCIA** Las fundas para almacenamiento podrían provocar incendios y producir daños materiales, lesiones graves o incluso la muerte.



- NO coloque una cubierta encima de un limpiadora a presión caliente.
- Deje que la unidad se enfríe lo suficientemente antes de que le coloque la cubierta.

4. Almacene la unidad en un área limpia y seca.



# REPARACION DE DAÑOS

Problema	Causa	Solución
<b>La bomba presenta los siguientes problemas: no produce presión o produce una presión errada, traqueteo, pérdida de presión, bajo volumen de agua.</b>	<ol style="list-style-type: none"> <li>1. Está usando la boquilla de baja presión (negra).</li> <li>2. La entrada de agua está bloqueada.</li> <li>3. Suministro de agua inadecuado.</li> <li>4. La manguera de entrada está doblada o presenta fugas.</li> <li>5. El colador de la manguera de la entrada de agua está tapado.</li> <li>6. El suministro de agua está por encima de los 100°F.</li> <li>7. La manguera de alta presión está bloqueada o presenta fugas.</li> <li>8. La pistola presenta fugas.</li> <li>9. La boquilla está obstruida.</li> <li>10. Bomba defectuosa.</li> </ol>	<ol style="list-style-type: none"> <li>1. Cambie la boquilla a una de las tres boquillas de alta presión.</li> <li>2. Limpie la entrada.</li> <li>3. Proporcione flujo de agua adecuado.</li> <li>4. Estire la manguera de entrada, coloque un parche en la fuga.</li> <li>5. Revise y limpie el colador de la manguera de entrada.</li> <li>6. Proporcione suministro de agua más fría.</li> <li>7. Retire las obstrucciones de la manguera de salida.</li> <li>8. Reemplace la pistola.</li> <li>9. Limpie la boquilla.</li> <li>10. Póngase en contacto con el centro de servicio Sears.</li> </ol>
<b>El detergente no se mezcla con el rociado.</b>	<ol style="list-style-type: none"> <li>1. El tubo de succión de detergente no está sumergido.</li> <li>2. El filtro de químicos está tapado.</li> <li>3. Está usando la boquilla de alta presión.</li> </ol>	<ol style="list-style-type: none"> <li>1. Coloque el tubo de succión de detergente en el detergente.</li> <li>2. Limpie o reemplace el filtro/tubo de succión de detergente.</li> <li>3. Use la boquilla de baja presión (negra).</li> </ol>
<b>El motor funciona bien cuando no tiene cargas, pero funciona "mal" cuando se conecta una carga.</b>	La velocidad del motor es demasiado lenta.	Mueva el control de la válvula de regulación a la posición FAST (RAPIDO). Si el motor continúa funcionando mal, póngase en contacto con el centro de servicio Sears.
<b>El motor no arranca; o arranca y funciona mal.</b>	<ol style="list-style-type: none"> <li>1. Bajo nivel de aceite.</li> <li>2. Depurador de aire sucio.</li> <li>3. Sin gasolina.</li> <li>4. Gasolina vieja.</li> <li>5. El alambre de la bujía no está conectado a la bujía.</li> <li>6. Bujía mala.</li> <li>7. Agua en la gasolina.</li> <li>8. Estrangulación excesiva o inundado.</li> <li>9. Mezcla de combustible demasiado rica.</li> <li>10. Válvula de entrada trabada en la posición abierta o cerrada.</li> <li>11. El motor ha perdido compresión.</li> </ol>	<ol style="list-style-type: none"> <li>1. Llene la caja del cigüeñal hasta el nivel correcto.</li> <li>2. Limpie o reemplace el depurador de aire.</li> <li>3. Llene el tanque de combustible.</li> <li>4. Drene el tanque de gasolina; llénelo con combustible fresco.</li> <li>5. Conecte el alambre a la bujía.</li> <li>6. Reemplace la bujía.</li> <li>7. Drene el tanque de gasolina; llénelo con combustible fresco.</li> <li>8. Abra el cebador por completo y haga girar el motor.</li> <li>9. Póngase en contacto con el centro de servicio Sears.</li> <li>10. Póngase en contacto con el centro de servicio Sears.</li> <li>11. Póngase en contacto con el centro de servicio Sears.</li> </ol>
<b>El motor se apaga durante la operación.</b>	Sin gasolina.	Llene el tanque de combustible.
<b>El motor no tiene fuerza.</b>	Filtro de aire sucio.	Reemplace el filtro de aire.
<b>El motor intenta estabilizarse o su funcionamiento no es constante.</b>	Cebador abierto demasiado rápido.	Mueva el cebador a la posición intermedia hasta que el motor funcione normalmente.

# GARANTÍA DEL SISTEMA DE CONTROL DE EMISIONES

## Garantía de control de emisiones de California, U.S. EPA y Sears

### Derechos y obligaciones de la garantía

California Air Resources Board, U.S. EPA y Sears Brands Management Corporation U.S.A. (Sears) le explican a continuación la garantía del sistema de control de emisiones de su motor/equipo modelo 2008 y posteriores. En California, los nuevos motores pequeños para máquinas de servicio deben estar diseñados, fabricados y equipados conforme a los exigentes estándares de lucha contra la contaminación del Estado. Sears garantiza el sistema de control de emisiones de su motor/equipo durante los períodos que se indican a continuación, siempre que no haya habido uso indebido, negligencia o mantenimiento indebido del motor pequeño para máquinas de servicio.

Su sistema de control de emisiones puede incluir componentes como el carburador o el sistema de inyección de combustible, el tanque de combustible, el sistema de arranque y el convertidor catalítico. También puede incluir mangueras, correas, conectores, detectores y otros conjuntos relacionados con las emisiones. Si se cumplen las condiciones de la garantía, Sears reparará el motor/equipo sin coste alguno, incluido el diagnóstico, los componentes y la mano de obra.

### Cobertura de la garantía del fabricante:

Los motores pequeños para máquinas de servicio tienen dos años de garantía. Si algún componente del motor/equipo relacionado con las emisiones estuviera defectuoso, Sears lo reparará o sustituirá.

### Responsabilidades de la garantía del propietario:

- Como propietario del motor/equipo pequeño, usted es responsable de llevar a cabo todas las operaciones de mantenimiento que se enumeran en el manual del propietario. Sears recomienda conservar todas las facturas relativas al mantenimiento del motor/equipo, pero Sears no puede denegar la garantía basándose únicamente en la falta de facturas o en la imposibilidad por parte del propietario de asegurar la correcta realización de todas las operaciones de mantenimiento.
- Como propietario del motor/equipo, debe ser consciente de que Sears puede denegar la cobertura de la garantía si el motor/equipo o uno de sus componentes falla debido a un uso indebido o negligente, un mantenimiento inadecuado o modificaciones no autorizadas.
- Usted es responsable de presentar su motor/equipo a un centro de distribución de Sears, distribuidor autorizado de servicio u otra entidad equivalente, según corresponda, en el momento en que surja un problema. Las reparaciones cubiertas por la garantía se llevarán a cabo en un plazo razonable, no superior a 30 días en ningún caso. En caso de preguntas sobre los derechos y responsabilidades relativos a la garantía, póngase en contacto con Sears llamando al (800) 469-4663.

## Disposiciones de la garantía contra defectos del sistema de control de emisiones de Sears

A continuación se detallan las disposiciones concretas relativas a la Cobertura de la garantía contra defectos del sistema de control de emisiones. Se añaden a la garantía de motores de Sears para motores no regulados, que figura en el Manual del Operario.

### 1. Piezas garantizadas

La presente garantía cubre únicamente las piezas que se enumeran a continuación (piezas del sistema de control de emisiones) siempre que tales piezas estuvieran presentes en el motor adquirido.

#### a. Sistema de regulación de combustible

- Sistema de enriquecimiento para arranque en frío (estrangulador electrónico)
- Carburador y piezas internas
- Bomba de combustible
- Conducto de combustible, acoplamiento del conducto de combustible, abrazaderas
- Depósito de combustible, tapón y cadena
- Bote de carbono

#### b. Sistema de inducción de aire

- Filtro de aire
- Colector de admisión
- Línea de purga y ventilación

#### c. Sistema de encendido

- Bujía(s)
- Sistema de encendido magnético

#### d. Sistema catalizador

- Convertidor catalítico
- Colector de escape
- Sistema de inyección de aire o válvula de impulso

#### e. Elementos diversos utilizados en los sistemas anteriores

- Válvulas y conmutadores de aspiración, temperatura, posición y temporizados
- Conectores y unidades

### 2. Duración de la cobertura

Durante un período de dos años desde la fecha de compra original, Sears garantiza al propietario original y a todo propietario posterior que el motor está diseñado, fabricado y equipado conforme a la normativa vigente adoptada por el Air Resources Board; que no tiene defectos de materiales ni de mano de obra que provoquen el fallo de un componente cubierto; y que es idéntico en todos los aspectos materiales al motor descrito en la aplicación de certificación del fabricante. El período de garantía comienza en la fecha de adquisición original del motor.

En EE.UU. y Canadá contamos con una línea de emergencia las 24 horas (1-800-469-4663), que ofrece un menú de mensajes pregrabados con información sobre mantenimiento de productos.

La garantía de los componentes relacionados con las emisiones es la siguiente:

- Los fallos de todo componente cubierto por la garantía que no se deba sustituir como parte del plan de mantenimiento obligatorio detallado en el manual del propietario entregado quedarán cubiertos por la garantía durante el período de la garantía especificado anteriormente. Si alguno de estos componentes falla durante el período de cobertura de la garantía, deberá ser reparado o sustituido por Sears sin cargo alguno para el propietario. Los componentes que se reparen o sustituyan en virtud de la garantía estarán cubiertos por la garantía durante el período de garantía restante.
  - Los fallos de todo componente cubierto por la garantía que sólo se deba inspeccionar periódicamente según el manual del propietario entregado quedarán cubiertos por la garantía durante el período de la garantía especificado anteriormente. Los componentes que se reparen o sustituyan en virtud de la garantía estarán cubiertos por la garantía durante el período de garantía restante.
  - Los fallos de todo componente cubierto por la garantía que se deba sustituir como parte del plan de mantenimiento obligatorio detallado en el manual del propietario entregado quedarán cubiertos por la garantía hasta el momento en que se indique que es necesario hacer la primera sustitución. Si el componente falla antes de la fecha de la primera sustitución, será reparado o sustituido por Sears sin cargo alguno para el propietario. Los componentes que se reparen o sustituyan en virtud de la garantía estarán cubiertos por la garantía durante el período de garantía hasta llegar a la fecha de la primera sustitución.
  - No se podrán utilizar componentes complementarios o modificados no exentos por el Air Resources Board. El uso de componentes complementarios o modificados no exentos por parte del propietario dará lugar a la anulación de la garantía. El fabricante no será responsable de los fallos de componentes cubiertos por la garantía que se deban al uso de un componente complementario o modificado no exento.
3. Cobertura de daños derivados
- La cobertura se ampliará a los fallos de cualquier componente del motor derivados del fallo de cualquier componente relacionado con el sistema de emisiones cubierto por la garantía.
4. Solicitudes y exclusiones de cobertura
- Las solicitudes de garantía se cumplimentarán con arreglo a las disposiciones de la política de garantía de motores Sears. La cobertura no aplica a los fallos de componentes relacionados con el sistema de emisiones cubiertos por la garantía que no sean originales de Sears ni a los fallos debidos a uso indebido, negligencia o mantenimiento inadecuado, conforme a las disposiciones de la política de garantía de motores Sears. Sears no será responsable de la cobertura de la

garantía de fallos de componentes relacionados con el sistema de emisiones cubiertos por la garantía provocados por el uso de componentes complementarios o modificados.

### **Consulte la información sobre el período de durabilidad de las emisiones y el índice de aire en la etiqueta de emisiones del motor**

Motores pequeños para máquinas de servicio con certificación de cumplimiento de la normativa sobre emisiones del California Air Resources Board (CARB) deben mostrar información sobre el período de durabilidad de las emisiones y el índice de aire. El fabricante del motor ofrece esta información al consumidor mediante etiquetas de emisiones. La etiqueta de emisiones del motor contiene la información de certificación.

El **Período de Durabilidad de las Emisiones** indica el número de horas durante las cuales el motor puede funcionar cumpliendo las normas sobre emisiones, siempre que se realicen las operaciones de mantenimiento que se detallan en las instrucciones de uso y mantenimiento. Se utilizan las siguientes categorías:

**Moderado:** El motor está certificado para cumplir la normativa sobre emisiones durante 125 horas de funcionamiento real.

**Intermedio:** El motor está certificado para cumplir la normativa sobre emisiones durante 250 horas de funcionamiento real.

**Prolongado:** El motor está certificado para cumplir la normativa sobre emisiones durante 500 horas de funcionamiento real.

Por ejemplo, un cortacésped con operario a pie se suele utilizar entre 20 y 25 horas al año. Por tanto, el **Período de Durabilidad de las Emisiones** de un motor con clasificación **intermedia** equivaldría a 10-12 años.

Los motores cuentan con la certificación de cumplimiento de la fase 2 de las normativas sobre emisiones de la United States Environmental Protection Agency (USEPA, Agencia estadounidense de protección del medioambiente). En el caso de los motores con certificación de fase 2, el período de cumplimiento de la normativa sobre emisiones que figura en la etiqueta de cumplimiento de emisiones indica el número de horas de funcionamiento durante las cuales el motor ha demostrado cumplir los requisitos federales sobre emisiones.

Para motores de menos de 225 cc:

Categoría C = 125 horas

Categoría B = 250 horas

Categoría A = 500 horas.

Para motores de 225 cc o más:

Categoría C = 250 horas

Categoría B = 500 horas

Categoría A = 1000 horas.

# Get it fixed, at your home or ours!

## Your Home

For troubleshooting, product manuals and expert advice:



[www.managemylife.com](http://www.managemylife.com)

---

For repair – **in your home** – of **all** major brand appliances, lawn and garden equipment, or heating and cooling systems, **no matter who made it, no matter who sold it!**

For the replacement parts, accessories and owner's manuals that you need to do-it-yourself.

For Sears professional installation of home appliances and items like garage door openers and water heaters.

**1-800-4-MY-HOME<sup>®</sup>** (1-800-469-4663)

Call anytime, day or night (U.S.A. and Canada)

[www.sears.com](http://www.sears.com)      [www.sears.ca](http://www.sears.ca)

---

## Our Home

For repair of carry-in items like vacuums, lawn equipment, and electronics, call anytime for the location of your nearest

**Sears Parts & Repair Service Center**

**1-800-488-1222** (U.S.A.)      **1-800-469-4663** (Canada)

[www.sears.com](http://www.sears.com)      [www.sears.ca](http://www.sears.ca)

---

To purchase a protection agreement on a product serviced by Sears:

**1-800-827-6655** (U.S.A.)      **1-800-361-6665** (Canada)

---

Para pedir servicio de reparación a domicilio, y para ordenar piezas:

**1-888-SU-HOGAR<sup>®</sup>**

(1-888-784-6427)

[www.sears.com](http://www.sears.com)

Au Canada pour service en français:

**1-800-LE-FOYER<sup>MC</sup>**

(1-800-533-6937)

[www.sears.ca](http://www.sears.ca)

The Sears logo, featuring the word "Sears" in a large, bold, serif font with a stylized 'S'.

® Registered Trademark / <sup>TM</sup> Trademark of KCD IP, LLC in the United States, or Sears Brands, LLC in other countries

® Marca Registrada / <sup>TM</sup> Marca de Fábrica de KCD IP, LLC en Estados Unidos, o Sears Brands, LLC in otros países

<sup>MC</sup> Marque de commerce / <sup>MD</sup> Marque déposée de Sears Brands, LLC