



Installation Instructions

Epicure® Ranges

For use with models:

EGR30, ERD30, ERD60

Table of Contents

Important Safety Instructions	1	Installing the Anti-Tip Bracket	6
General Safety Precautions	1	Door Removal	6
Product Specifications	3	Utility Locations	7
Product Dimensions	3	Electrical Connection	8
Gas Supply Requirements	3	Gas Connection	9
Electrical Power Supply Requirements	3	Installing the Range	9
Planning the Installation	4	Installing the Burner Components	10
Cabinet and Countertop Preparation	4	Re-Installing the Oven Doors	10
Installation Instructions	6	Verifying Proper Operation	10
Verifying Package Contents	6	Notes	11-13

IMPORTANT:

- **Installer:** In the interest of safety and to minimize problems, read these installation instructions completely and carefully before you begin the installation process. Leave these installation instructions with the customer.
- **Customer:** Keep these installation instructions for future reference and the local electrical inspector's use.

Customer Service Information

If the unit requires service or you have questions or problems with installation, contact your Dacor® dealer or the Dacor Customer Service Team.

Dacor Customer Service Team

(800) 793-0093 (U.S.A. and Canada)

Monday — Friday 6:00 A.M. to 5:00 P.M. Pacific Time

Web site: www.Dacor.com

Be sure to have the model and serial number available when you call. The model and serial number are on the product data label attached to the appliance. Open the oven door and remove the inlet air cooling grill for access to the label.

All specifications subject to change without notice. Dacor assumes no liability for changes to specifications.

Important Safety Instructions

Important Information About Safety Instructions

The **Important Safety Instructions** and warnings in these instructions are not meant to cover all possible problems and conditions that can occur. Use common sense and caution when installing, maintaining or operating this or any other appliance.

Always contact Dacor about problems or conditions you do not understand.

READ AND SAVE THESE INSTRUCTIONS

Safety Symbols and Labels

DANGER

Immediate hazards that **WILL** result in severe personal injury or death.

WARNING

Hazards or unsafe practices that **COULD** result in severe personal injury or death.

CAUTION

Hazards or unsafe practices that **COULD** result in minor personal injury or property damage.

DANGER

IMPORTANT: If you smell gas.

- Do not use or light any appliance.
- Do not touch any electrical switch or use any electrical devices, including the telephone, in your building.
- From a neighbor's phone, immediately call the gas supplier. Follow the gas supplier's instructions.
- If you cannot contact the gas supplier, call the fire department.

IMPORTANT: Do not store or use combustible, flammable or explosive vapors and liquids (such as gasoline) inside or in the vicinity of this or any other appliance. Also keep items that could explode, such as aerosol cans, away from the burners and the oven. Do not store flammable or explosive materials in adjacent cabinets or areas.

WARNING

WARNING – NEVER use this appliance as a space heater to heat or warm the room. Doing so may result in carbon monoxide poisoning and overheating of the appliance.

WARNING

WARNING – NEVER cover any slots, holes or passages in the oven bottom or cover an entire rack with materials such as aluminum foil. Doing so blocks air flow through the oven and may cause carbon monoxide poisoning. Aluminum foil linings may also trap heat, causing a fire hazard.

CALIFORNIA PROPOSITION 65 WARNING

The burning of gas cooking fuel generates some by-products that are on the list of substances which are known by the State of California to cause cancer or reproductive harm. California law requires businesses to warn customers of potential exposure to such substances. To minimize exposure to these substances, always operate this unit according to the use and care manual, ensuring you provide good ventilation when cooking with gas.

General Safety Precautions

To reduce the risk of fire, explosion, electric shock, serious injury or death when installing or using this appliance, follow basic safety precautions, including the following:

WARNING

- Read the accompanying use and care manual completely before operating this appliance.
- Keep packaging materials away from children. Plastic sheets and bags can cause suffocation.
- If you receive a damaged product, immediately contact your dealer or builder. Do not install or use a damaged appliance.
- This range must be properly installed and grounded by a qualified installer according to these installation instructions prior to use. The installer should show the customer the location of the gas shut off valve and the fuse or junction box so that they know where and how to turn off the gas supply and electric power to the range.
- Do not operate the range without the backguard or raised vent in place if the back wall is made of combustible materials. A fire may result.
- Do not install, repair or replace any part of the range unless specifically recommended in the literature accompanying it. A qualified service technician should perform all other service.
- Do not connect this range to the gas supply without the supplied gas pressure regulator installed.

Important Safety Instructions

General Safety Precautions (cont.)

WARNING

- Before performing any type of service or installation, make sure that the gas supply and electric power to the range are off
- NEVER block or cover any slots, holes or passages anywhere inside the oven or on the outside of the range or cover an oven rack with materials such as aluminum foil. Doing so blocks airflow through the oven and cooktop and may cause carbon monoxide poisoning or fire
- Only use the range for cooking tasks expected of a home appliance as outlined in the literature accompanying it. This range is not intended for commercial use
- DO NOT TOUCH THE SURFACES OF THE OVEN OR COOKTOP DURING OR IMMEDIATELY AFTER USE
- Do not climb on any part of the appliance
- Do not leave children alone or unattended in the area around the range. Do not allow children to play with the controls, pull on the handle, or touch other parts of the range
- Do not store items of interest to children on top of or above the range. Children could be burned or injured while climbing on the appliance
- Do not attempt to use this appliance in the event of a power failure
- Do not tamper with the controls. Do not adjust or alter any part of the range unless specifically instructed to do so in these instructions
- To prevent the unit from tipping forward and to provide a stable installation, the unit must be secured in place with the anti-tip device as specified in these instructions
- Clean the cooktop thoroughly before operating it for the first time
- Keep flammable items, such as paper, cardboard, plastic and cloth away from the burners and other hot surfaces. Do not place such items in the oven. Do not allow pot holders to touch hot surfaces or gas burners
- Do not wear loose or hanging apparel while using the range. Do not allow clothing to come into contact with the interior of the oven or the cooktop and surrounding areas during and immediately after use
- To avoid a fire hazard, do not hang flammable or heat sensitive objects over the range
- If the range is near a window, do not use long curtains as window treatment. The curtains could blow over the cooktop and create a fire hazard
- Do not use the oven for storage
- Do not touch the burner assembly, grates or surrounding surfaces (including the backguard) or the interior surfaces of the oven during use. After use, make sure these surfaces have had sufficient time to cool before touching them
- Do not touch the outside surfaces of the range during the self-clean cycle. They will be hot. Venting from the oven may cause the cooktop and backguard to become hot
- Make sure that all the cooktop parts are dry before lighting a burner
- Turn the knobs to the **OFF** position prior to removing them from the valve stems
- The cooktop should never be operated without the knobs and trim rings in place
- For your safety, do not use the oven to cook without the convection filter(s) installed. When the filter is not installed, the spinning fan blades at the back of the oven are exposed
- Non-stick coatings, when heated, can be harmful to birds. Remove birds to a separate, well-ventilated room during cooking

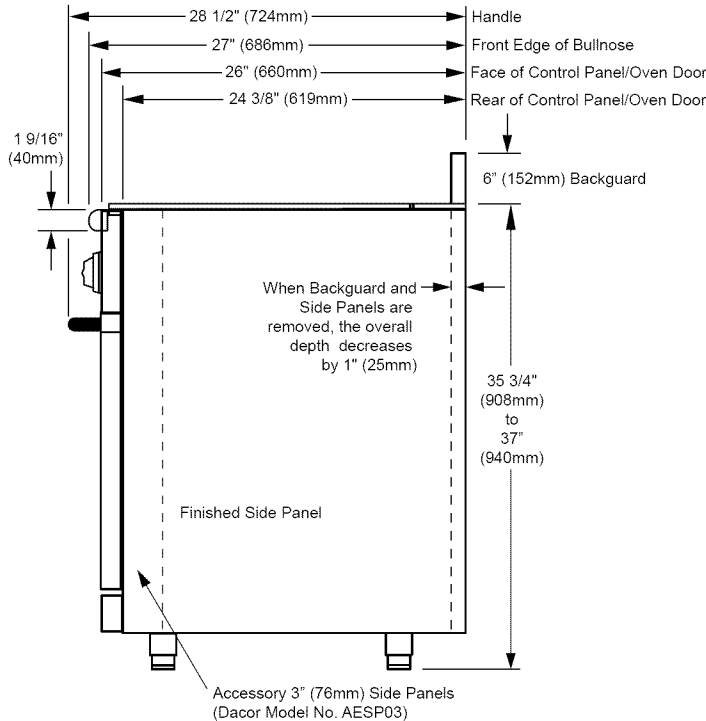
CAUTION

- To prevent damage, remove the meat probe from the oven when it is not being used
- Do not line the oven with aluminum foil or other materials. These items can melt or burn up during self-cleaning and cause permanent damage to the oven
- Do not leave metal objects, such as aluminum foil, the meat probe, cookie sheets, etc. on the bottom of the oven. Objects left on the bottom of the oven could damage the bake element. In addition, the objects themselves could be damaged
- Do not cover bake or broil elements in the top and bottom of the oven with cookie sheets, aluminum foil, pots, pans, etc. Covering them could cause the heating elements to over-heat, damaging the oven
- Always ensure that the light fixture lens covers are in place when using the oven. The lens covers protect the light bulbs from breakage caused by high oven temperatures or mechanical shock

Product Specifications

Product Dimensions

NOTE: For ERD series models, all front-to-back depth dimensions are reduced by 1" (25mm) when the backguard and the full side panels are removed.



EGR30, ERD30, ERD60 Overall Dimensions - Side View

Gas Supply Requirements

Check your local building codes for the proper method of installation. In the absence of local codes, this appliance should be installed in accordance with the National Fuel Gas Code ANSI Z223.1. Be certain that the appliance being installed is correct for the gas service being provided. Refer to the data label located behind the inlet air cooling grill, or the table below, for gas supply requirements. Open the oven door and remove the inlet air cooling grill for access to the data label.

Electrical Power Supply Requirements

It is the owner's responsibility to ensure that the electrical connection of this appliance is performed by a qualified electrician. The electrical installation, including minimum supply wire size and grounding, must be in accordance with the National Electric Code ANSI/NFPA 70-1993* (or latest revision) and local codes and ordinances.

*A copy of this standard may be obtained from:

National Fire Protection Association
1 Batterymarch Park
Quincy, Massachusetts 02269-9101

The correct voltage, frequency and amperage must be supplied to the appliance from a separate, grounded, circuit that is protected by a properly sized circuit breaker or time delay fuse. Refer to the data label, or the table below, for electrical requirements.

Model No.	Electrical Circuit Required	Total Connected Load	Gas Type	Manifold Pressure	Min. Gas Supply Pressure
EGR30	120 Vac 60Hz, 15 Amp.	0.75 kW (6.2 Amp.)	Natural	5" Water Column	6" Water Column
EGR30LP			LP	10" Water Column	11" Water Column
ERD30	240 Vac, 60Hz, 30 Amp.	4.2 kW (18 Amp.)	Natural	5" Water Column	6" Water Column
ERD30LP			LP	10" Water Column	11" Water Column
ERD60	240 Vac, 60Hz, 30 Amp. X 2*	4.1 kW X 2* (21 Amp X 2)	Natural	5" Water Column	6" Water Column
ERD60LP			LP	10" Water Column	11" Water Column

Gas and Electrical Supply Requirements

* For model ERD60, two separate dedicated circuits are required, one for the left, and one for the right side of the range.

The above information is for reference only. If the information above differs from the information on the product data label on the appliance, use the information on the label.

Planning the Installation

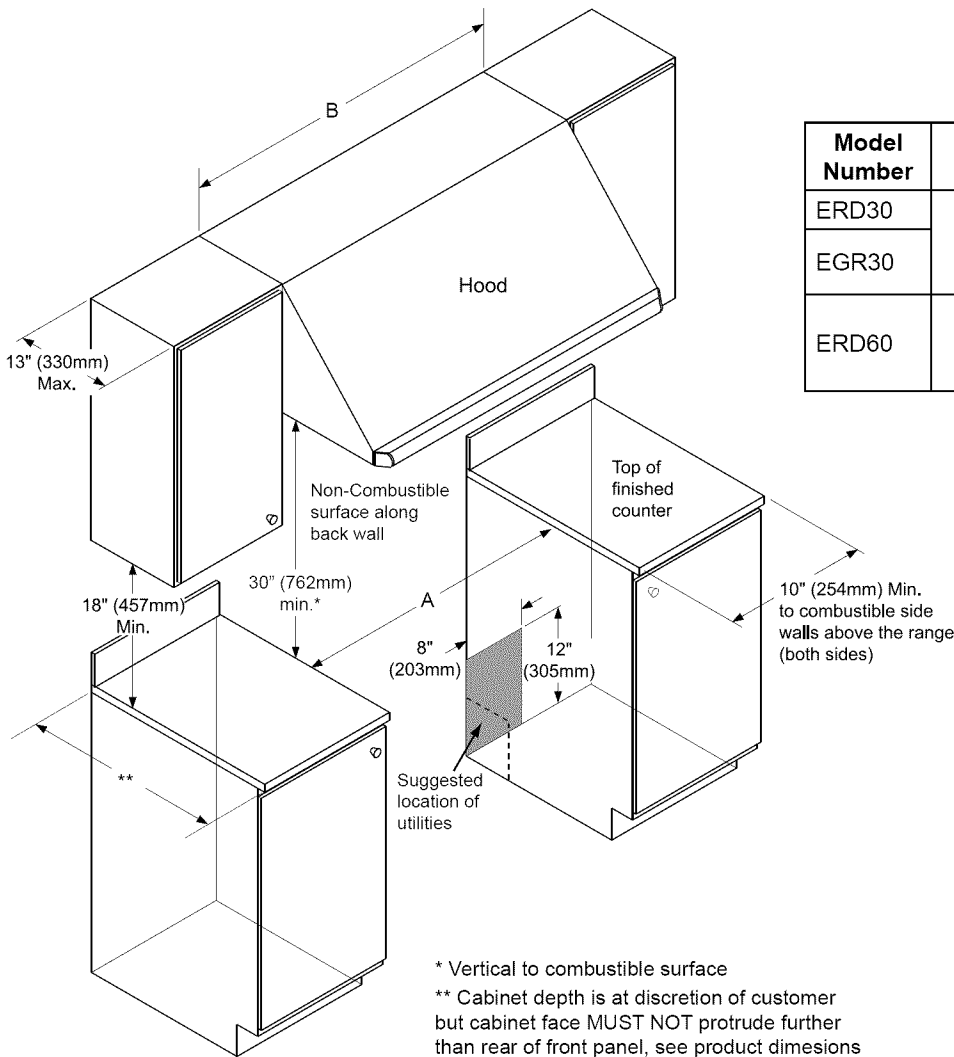
⚠ WARNING

IMPORTANT: Observe all governing codes and ordinances during planning and installation. Contact your local building department for further information.

Cabinet and Countertop Preparation

- The shaded areas shown in the illustrations below show the recommended location of the gas stub and the electrical junction box/receptacle in the lower left corner of the adjacent right cabinet. For replacement purposes, the location of the existing utilities may be utilized provided that they do not interfere with the sides or rear of the range. If installing the gas valve behind the range, verify that doing so is permitted by local building codes.
- A manual shut valve must be installed in the gas piping, external to the appliance, for the purpose of turning on or shutting off gas to the appliance. Plan the location of the range and the gas supply to allow access to the valve when the unit is installed. Access to the remote circuit breaker panel/fuse box with the range in place must also be allowed for in the installation. Any openings in the wall behind the appliance and in the floor under the appliance must be sealed.

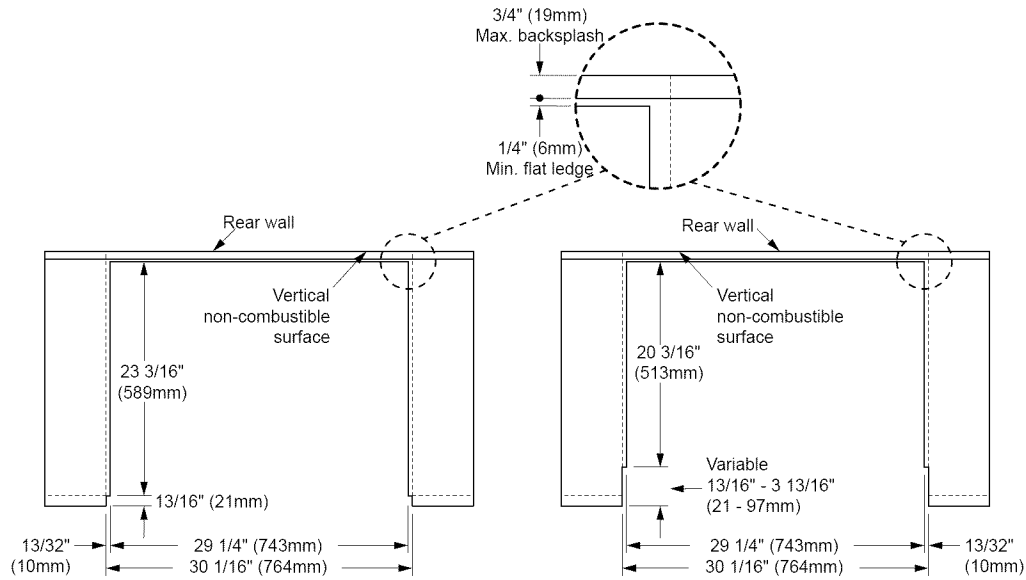
- Both the gas supply piping and shut-off valve, and the electrical junction box/receptacle must be located so they do not interfere with the range when it is installed. In addition, the junction box must be located so the range can be removed for service when the conduit supplied with the unit is attached to the junction box. Do not lengthen the conduit or wiring provided with the range.
- All dimensions shown are based on standard American cabinets 36 inches (914mm) high at the finished countertop by 24 inches (610mm) deep, with a 25 inch (635mm) overall countertop depth. All minimum clearances shown **MUST** be maintained.
- Carefully check the location where the range is to be installed. For best performance, the range should be placed away from drafts that may be caused by doors, windows and HVAC outlets.
- If cabinet storage space is to be provided directly above the range, the risk of personal injury may be reduced by installing a ventilating hood that projects horizontally a minimum of 5 inches beyond the face of the cabinets.
- The range may be installed flush to the rear wall. Dacor highly recommends installing a non-combustible material on the rear wall above the range and up to the vent hood. It is not necessary to install non-combustible materials behind the range below the countertop height.



Model Number	"A"	"B"
ERD30	30 1/16" (764mm)	36" (914mm) Recommended
EGR30		30" (762mm) Minimum
ERD60	60 1/8" (1572mm)	66" (1676mm) Recommended 60" (1542mm) Minimum

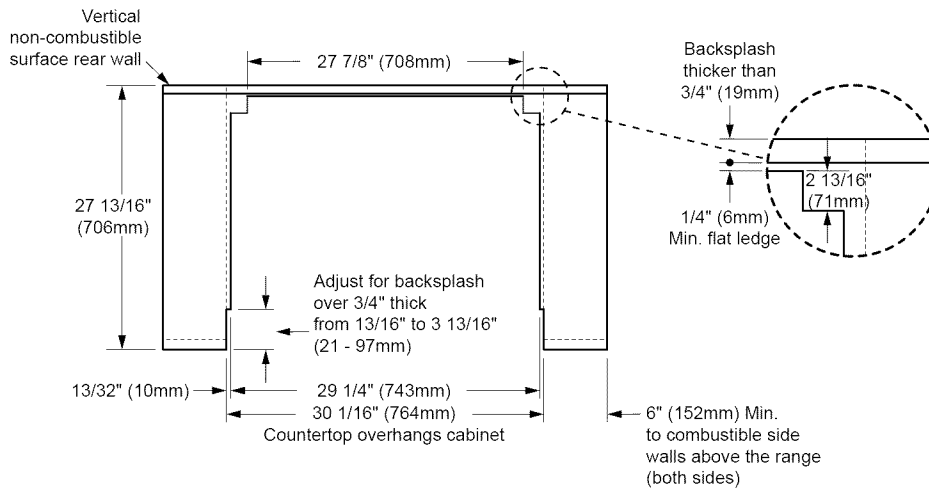
Cutout Dimensions

Installation Specifications

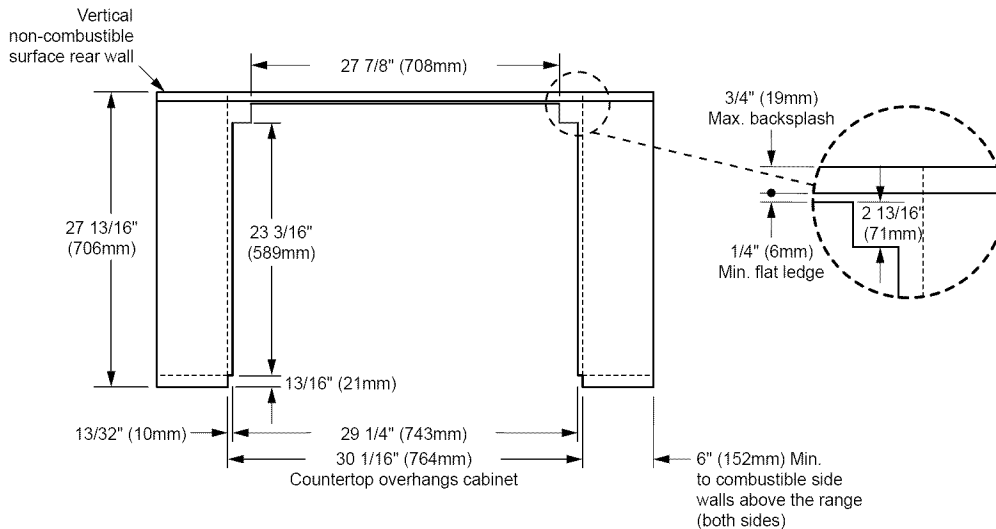


**ERD/EGR30 Slide-In, Self-Rimming Installation with Side Panels and Backguard Removed
Top View**

ERD/EGR30 Slide-In, Self-Rimming Installation using 3\"/>



ERV30 with ERD30 Slide-In, Self-Rimming Installation using 3\"/>



ERV30 with ERD30 Slide-In, Self-Rimming Installation with Side Panels and Backguard Removed - Top View

Installation Instructions

WARNING

- Observe all governing codes and ordinances during planning and installation. Contact your local building department for further information.
- If the gas or electric service provided does not meet the product specifications, do not proceed with the installation. Call the selling dealer, the gas supplier or a licensed electrician.
- This appliance must be installed by a licensed plumber or gas fitter when installed within the Commonwealth of Massachusetts.

Verifying the Package Contents

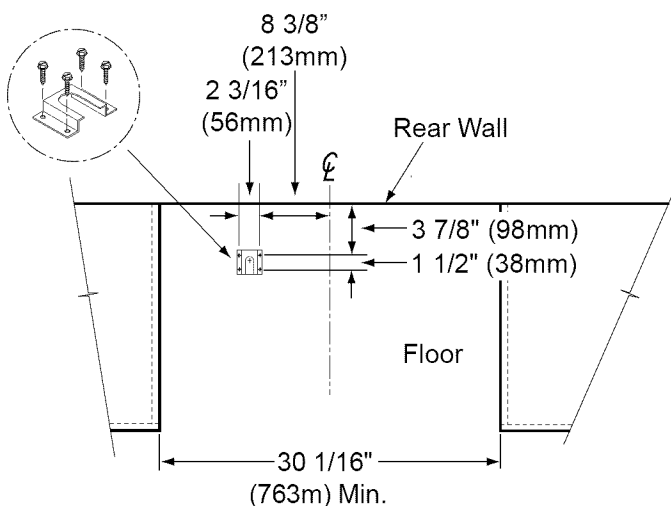
Verify that all required components have been provided. If any item is missing or damaged, please contact your dealer immediately. Do not install a damaged or incomplete appliance.

- Use and care manual
- Ignitor cleaning kit
- Broiler pan/grill
- Anti-tip bracket (selected models)
- Grate/burner cap packs
- Griddle
- Burner rings
- Wok ring
- Simmer plate
- Spatula
- Stainless steel cleaner
- Lens pry stick (selected models)

Installing the Anti-Tip Bracket

(Models ERD30 and EGR30 Only)

30" ranges require an anti-tip device. Before installing the range, you must locate the anti-tip bracket in the product packaging and secure it to the floor as shown below.



Installation of ERD30/EGR30 Anti-Tip Bracket
Top View

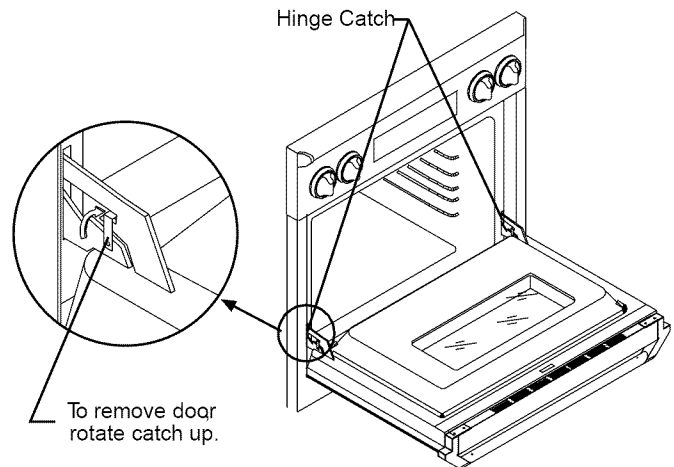
Door Removal

To make the range easier to move during installation, remove the door(s) before installation.

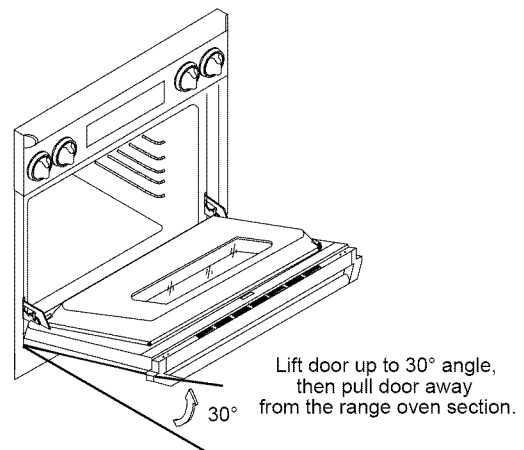
WARNING

- Do not attempt to disengage the hinge catches with the door removed from the oven. The hinge springs could release causing personal injury.
- Do not lift or carry the oven door(s) by the door handle.

1. Open the door to its fully opened position.
2. Rotate the catch over the retaining arm on each hinge.



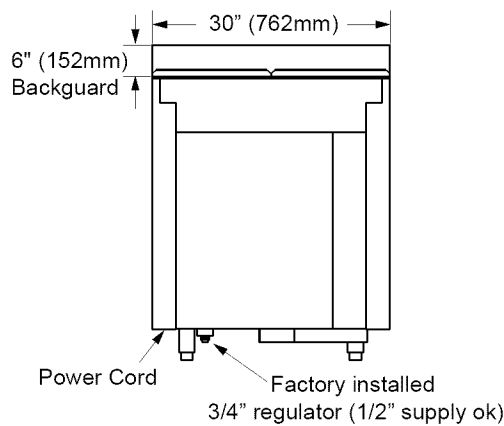
3. Lift the oven door to about a 30 degree angle from the horizontal position.



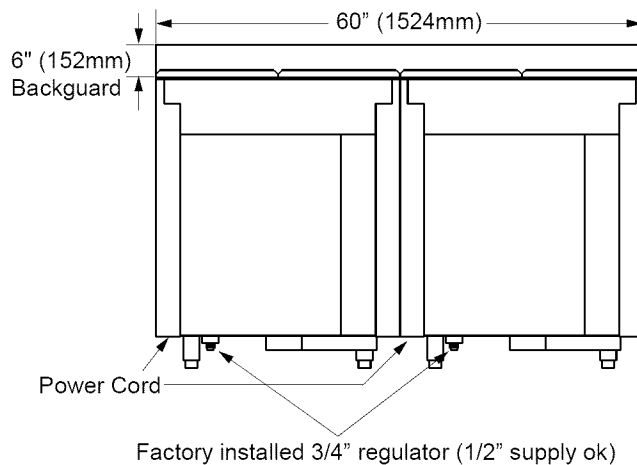
4. Pull the door away from the oven while continuing to lift.

Installation Instructions

Utility Locations



Gas and Electrical Locations - 30 Inch Models



Gas and Electrical Locations - 60 Inch Models

Electrical Connection

⚠ WARNING

- On ERD series models connect the ground terminal (or lead) on the appliance to a grounded, metallic, permanent wiring system or grounding conductor.
- ERG series models must be connected to a 3-prong grounded electrical outlet. Failure to do so may result in an electrical shock hazard.
- Do not use an extension cord with this appliance. Such use may result in fire, electrical shock, or other personal injury.
- Do not install a fuse in the neutral or ground circuit. A fuse in the neutral or ground circuit may result in an electrical shock hazard.

IMPORTANT:

- The power supply must be properly polarized. Reverse polarity will result in continuous sparking of the electrodes, even after flame ignition. If there is any doubt as to whether the power supply is properly polarized or grounded, have it checked by a qualified electrician.
- Two separate electrical circuits and gas supplies are required for the ERD60. See page 3 for electrical specifications.

Electrical Connection of EGR Series Ranges

Connect ERG series models to a 3-prong grounded electrical outlet.

Electrical Connection of ERD Series Ranges

With the range positioned directly in front of the cabinet cutout, feed the appliance conduit(s) to the electrical junction box. Then, depending upon local codes, utilize either one of the following three techniques to connect the appliance to the electrical power supply:

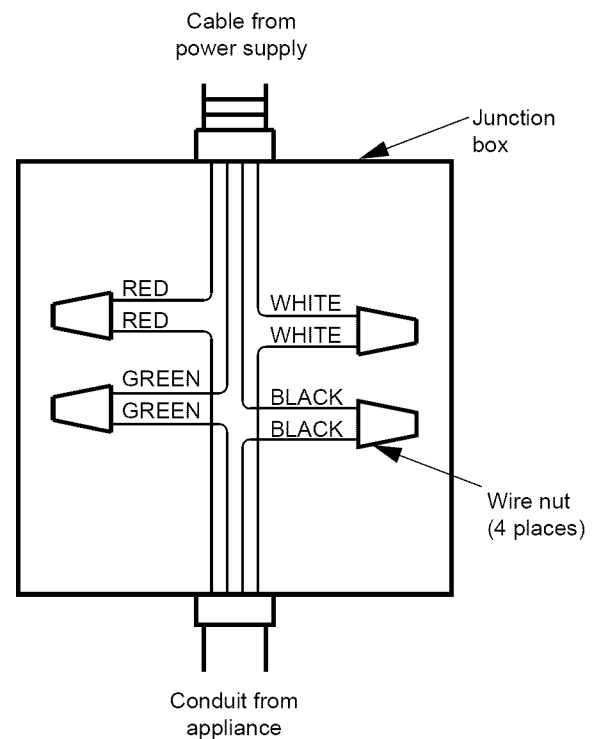
Four Wire Method (see column 2 on this page)

Three Wire Neutral Ground Method (See page 8)

Four Wire Method with External Ground (See page 8)

Connecting to a Four-Wire Electrical System

1. Make sure power to the junction box is switched off at the circuit breaker or fuse box.
2. Separate the green and white appliance wires.
3. Connect the white appliance wire to the neutral (white) supply wire in the junction box.
4. Connect the black appliance wire to the black (L1) power supply wire in the junction box.
5. Connect the red appliance wire to the red (L2) power supply wire in the junction box.
6. Connect the green appliance wire to the green house grounding wire in the junction box.



Connecting the Appliance to a Four-Wire Power Supply

Installation Instructions

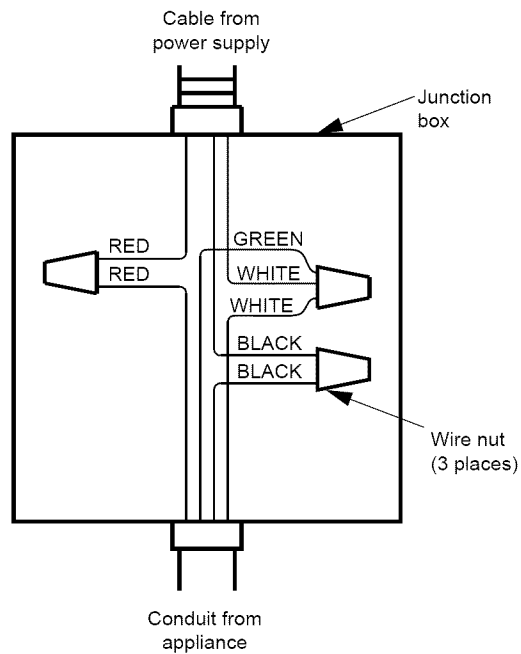
Electrical Connection of ERD Series Ranges (continued)

Connecting to a Three-Wire Electrical System (where local codes permit)

WARNING

Do not connect the green appliance wire to the neutral (white) supply wire unless local building codes permit.

1. Make sure power to the junction box is switched off at the circuit breaker or fuse box.
2. Connect the green and white appliance wires to the neutral (white) supply wire in the junction box.
3. Connect the black appliance wire to the black (L1) power supply wire in the junction box.
4. Connect the red appliance wire to the red (L2) power supply wire in the junction box.



Connecting the Appliance to a Three-Wire Power Supply (where local codes permit)

Connecting to a Four-Wire Electrical System with External Ground (where local codes permit)

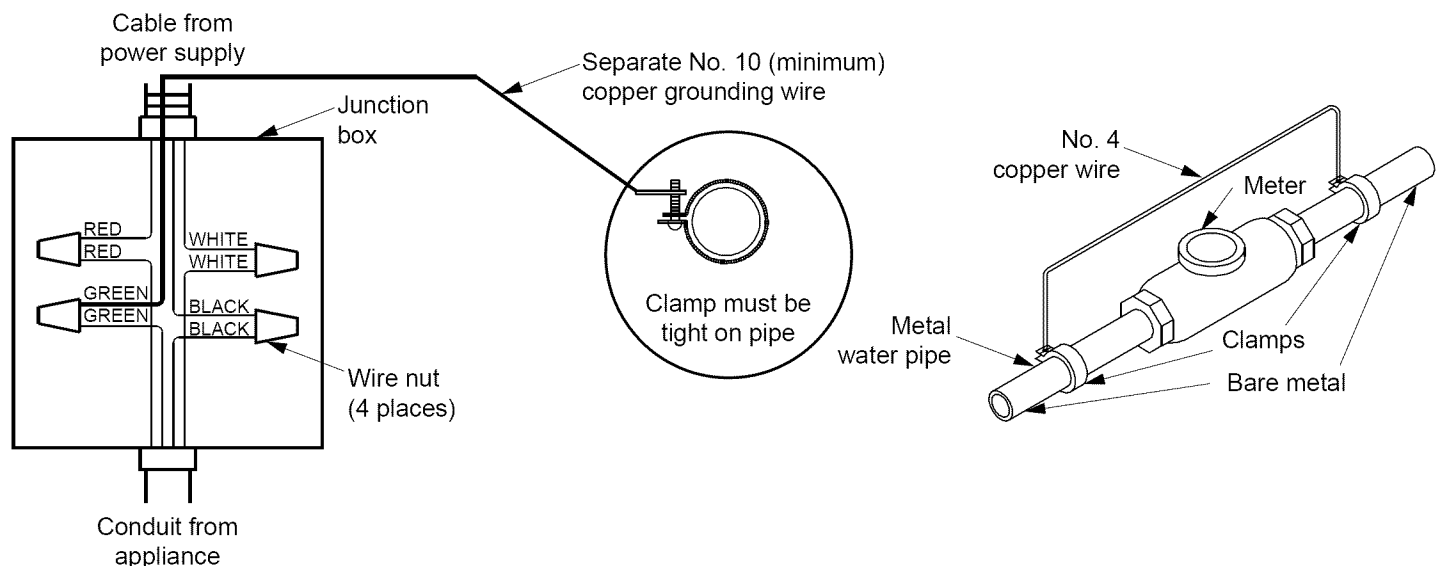
WARNING

Do not ground the appliance to a gas supply pipe or hot water pipe.

A grounded cold water pipe must have metal continuity to electrical ground and must not be interrupted by insulating materials. Any insulating materials must be jumped with a length of No. 4 copper wire securely clamped to bare metal at both ends.

1. Make sure power to the junction box is switched off at the circuit breaker or fuse box.

2. Separate the green and white appliance wires.
3. Connect the white appliance wire to the neutral (white) supply wire in the junction box.
4. Connect the black appliance wire to the black (L1) power supply wire in the junction box.
5. Connect the red appliance wire to the red (L2) power supply wire in the junction box.
6. Connect the green appliance wire to a grounded supply wire in the junction box or to a grounded cold water pipe. If connecting to a grounded cold water pipe, a separate copper grounding wire (No. 10 minimum) must be connected to a grounded cold water pipe by means of a clamp and then to an external grounding connector screw.



Connecting the Appliance Ground to a Grounded Junction Box Wire or Grounded Cold Water Pipe

Installation Instructions

Gas Connection

⚠ WARNING

- Make sure the gas is turned off at the gas supply valve before connecting the gas line.
- Do not apply excessive pressure when tightening gas connections and fittings.
- Do not use teflon tape or plumber's putty on gas flex line connections.
- Turn all cooktop control valves to the **OFF** position. Turn on gas supply and check all lines and connections for leaks using a soap and water solution. Do not use a flame to check for leaks. After verifying that there are no gas leaks, turn off the gas supply to the range by turning the gas shut-off valve to the **OFF** position.
- For LP installations, the LP gas tank must have its own high pressure regulator. This is in addition to the pressure regulator provided with the range.
- The maximum gas supply pressure to the range gas regulator must never exceed 1/2 pound per square inch.

IMPORTANT: The gas pressure regulator is pre-set at the factory for the type of gas intended for use with the appliance. Verify that the appliance is compatible with the type of gas available by checking the data plate located behind the inlet air cooling grill. Open the oven door and remove the inlet air cooling grill for access to the data plate. Ranges intended for use with LP gases will have "LP" as a part of the model number. Consult your dealer if the range is not compatible with your gas supply.

Gas Line Installation

Before sliding the range into the cabinet, connect a flexible gas connector to the gas shut-off valve previously installed on the stub out. The gas valve must be turned off during installation. Connect the flex connector to the pipe fitting at the rear of the range.

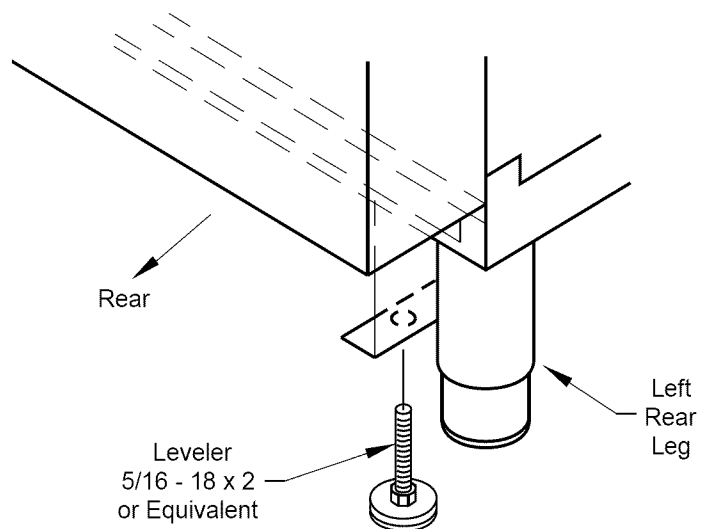
Installing the Range

Installation of Self-Rimming Configuration (Models ERD30 and EGR30 only)

1. Measure the distance from the floor to the countertop. Adjust the leveling legs to position the bottom edge of the range top frame approximately 1/8" above the level of the countertop to allow the range to slide over it.
2. Attach the anti-tip leveler to the range as shown below, if it is not already attached. Lower the anti-tip leveler until it is 3/16" off the floor so that it will engage the anti-tip bracket when the range is pushed into its final position.
3. Carefully slide the range into position in the cutout. The rear anti-tip leg should engage the anti-tip bracket.
4. Lower the range onto the countertop by turning the leveling legs counterclockwise. Lower the range until the bottom of the range top just contacts the countertop. Do not allow the full weight of the range to hang on the counter.

Installation of Free-Standing Configurations

1. Measure from the floor to the countertop and adjust the leveling legs as required to position the top frame at the desired height based on the cabinet and countertop installation.
2. On models ERD30 and EGR30, attach the anti-tip leveler to the range as shown below if it is not already attached. Lower the anti-tip leveler until it is 1/16" off the floor so that it will engage the anti-tip bracket when the range is pushed into its final position.
3. Carefully slide the range into position in the cutout. On models ERD30 and EGR30, the rear anti-tip leg should engage the anti-tip bracket.



Location Anti-Tip Leveler (Models ERD30 and EGR30 Only)

Installation Instructions

Installing the Burner Components

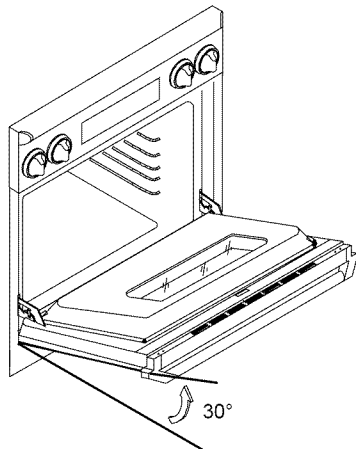
WARNING

Never attempt to operate the cooktop section of the range with any of the burner rings, burner caps or grates removed.

1. Remove the brass burner rings, porcelain burner caps, and porcelain grates from their shipping packages.
2. Place each burner ring onto its corresponding burner base, being certain that the five alignment tabs slide into the matching notches in the base.
3. Set each porcelain burner cap on top of its corresponding burner ring. Place the oven exhaust cover over the opening in the top frame.
4. Place each grate onto the top frame, being certain that the rubber feet are positioned in the locating dimples.

Re-Installing the Oven Doors

1. Grasp the oven door on opposite sides and lift it until the door hinges are aligned with the openings in the oven frame.



2. Holding the door at about a 30° angle from the horizontal, slide the hinges into the openings until the bottom hinge arms drop fully into the hinge receptacles.
3. Lower the door to the fully opened position, and then rotate the two hinge catches toward the oven.
4. Open and close the door completely to ensure that it is properly installed.
5. Peel off the protective layer of plastic that covers the door panel.

Verifying Proper Operation

WARNING

- Before operating the range, read the accompanying use and care manual completely. Important safety, service and warranty information is contained in the use and care manual.
- The range and shut-off valve must be disconnected from the gas supply piping during any pressure testing exceeding 1/2 psi (3.5kPa).
- The range must be isolated from the gas supply piping by closing the shut-off valve during any pressure testing at or below 1/2 psi (3.5 kPa).

1. Before beginning the test procedure, make sure all cooktop control valves are in the **OFF** position, and all burner rings, burner cap, and grates are properly positioned on the top frame. Turn on the gas supply at the shut-off valve.
2. Turn on the power supply to the range.
3. Set the time of day by pressing the **CLOCK** key and then pressing either of the **TIME • TEMP** keys to advance or reduce the time in the display in the desired setting.
4. Press the **BAKE** key. Select a temperature of 350°F by pressing the **TIME • TEMP** “+” key. The display should show “**BAKE ON**”. Press the **CANCEL • SECURE** key to stop the oven heating process.
5. Test each top burner separately by pressing and turning one control knob at a time counterclockwise to the **HIGH** position. All ignitors will spark continuously, but only the burner with gas flowing to it will ignite. It will take approximately 4 seconds for ignition to occur, at which time the ignitors will stop sparking. If ignition does not occur within 4 seconds, turn off the knob, wait for at least 2 minutes to allow any gas to dissipate, then repeat this ignition test. The control knob can then be rotated counterclockwise from **HIGH** to **LOW** to adjust the flame height progressively. Repeat the ignition test for all burners. When installed properly, the flame will be steady and quiet. It will also have a sharp, blue inner cone that will vary in length proportional to the burner size.

If the range does not operate properly, follow these troubleshooting steps:

1. Verify that power and gas are supplied to the range.
2. Check the electrical connections and gas supply to ensure that the installation has been completed correctly.
3. Repeat the above bake test or burner ignition test.
4. If the appliance still does not work, contact an authorized Dacor service company at (800) 793-0093. Do not attempt to repair the appliance yourself. Dacor is not responsible for service required to correct a faulty installation.

Notes

Notes

Notes

dacor
The Life of the Kitchen.®