



## Installation Instructions

### Downdraft Raised Vent

Models: RV30, RV36, RV46

**Includes installation instructions for optional cabinet blower (Dacor model CABP3)**

Use these downdraft raised vents only with approved Dacor® cooktops.  
See the installation instructions for the particular cooktop model being installed to determine suitability.

# Table of Contents

<b>Important Safety Instructions</b> .....	<b>1</b>	<b>Installation Instructions</b> .....	<b>10</b>
Important Information About Safety Instructions .....	1	Parts List .....	10
Safety Symbols and Labels .....	1	Installation Preparation .....	10
General Safety Precautions .....	2	Installing the Vent in the Cutout .....	11
<b>Product Specifications</b> .....	<b>3</b>	Electrical Installation .....	12
Product Dimensions .....	3	Final Installation .....	14
<b>Installation Specifications</b> .....	<b>4</b>	Verifying Proper Operation .....	14
Electrical Specifications .....	4	Installation Checklist .....	14
Planning the Installation .....	4	<b>Technical Data</b> .....	<b>15</b>
Planning the Duct Work .....	7	RV Raised Vent Wiring Diagram .....	15
		CABP3 Cabinet Blower Ratings .....	15

## Before You Begin...

### Important:

- **Installer:** In the interest of safety and to minimize problems, read these installation instructions completely and carefully before you begin the installation process. Leave these installation instructions with the customer.
- **Customer:** Keep these installation instructions for future reference and the local building inspector's use.

## Customer Service Information

### If You Need Help...

If you have questions or problems with installation, contact your Dacor dealer or the Dacor Customer Service Team. For repairs to Dacor appliances under warranty call the Dacor Distinctive Service line. Whenever you call, have the model and serial number of the appliance ready. The model and serial number are printed on the product data label on the front of the unit. The product data label also specifies the power supply requirements.

#### Dacor Customer Service

Phone: (800) 793-0093 (U.S.A. and Canada)  
Monday - Friday 6:00 A.M. to 5:00 P.M. Pacific Time

Web site: [www.Dacor.com](http://www.Dacor.com)

#### Dacor Distinctive Service (repairs under warranty only)

Phone: (877) 337-3226 (U.S.A. and Canada)  
Monday - Friday 6:00 A.M. to 4:00 P.M. Pacific Time

### Model Identification:

RV30 = 30-inch wide raised vent

RV36 = 36-inch wide raised vent

RV46 = 46-inch wide raised vent

Tested in accordance with the latest edition of ANSI Z 21.1 standard for household gas cooking appliances, ANSI/UL 858 household electrical ranges, CAN/CSA-C22.2 NO. 64 Standard for Household Electric Cooking and Liquid Heating Appliances, and UL 507 electric fans.

All specifications subject to change without notice. Dacor assumes no liability for changes to specifications.

# Important Safety Instructions

## Important Information About Safety Instructions

- The **Important Safety Instructions** and warnings in these instructions are not meant to cover all possible problems and conditions that can occur. Use common sense and caution when installing, maintaining or operating this or any other appliance.
- Always contact the Dacor Customer Service Team about problems and conditions that you don't understand. See **Customer Service Information** on page 2.

## Safety Symbols and Labels

### **DANGER**

Immediate hazards that **WILL** result in severe personal injury or death.

### **WARNING**

Hazards or unsafe practices that **COULD** result in severe personal injury or death.

### **CAUTION**

Hazards or unsafe practices that **COULD** result in minor personal injury or property damage.

### **DANGER**

**IMPORTANT:** Do not store or use combustible, flammable or explosive vapors and liquids (such as gasoline) inside or in the vicinity of this or any other appliance. Also keep items that could explode, such as aerosol cans, away from the cooktop. Do not store flammable or explosive materials in adjacent cabinets or areas.

### **WARNING**

**WARNING – TO REDUCE THE RISK OF FIRE, ELECTRIC SHOCK, OR INJURY TO PERSONS, OBSERVE THE FOLLOWING:**

- a) Installation work and electrical wiring must be done by qualified person(s) in accordance with all applicable codes and standards, including fire-rated construction.
- b) Sufficient air is needed for proper combustion and exhausting of gases through the flue(chimney) of fuel burning equipment to prevent back drafting. Follow the heating equipment manufacturer's guideline and safety standards such as those published by the National Fire Protection Association (NFPA), and the American Society for Heating, Refrigeration and Air Conditioning Engineers (ASHRAE), and the local code authorities.
- c) When cutting or drilling into wall or ceiling, do not damage electrical wiring and other hidden utilities.
- d) Ducted fans must always be vented to the outdoors."

### **WARNING**

**WARNING - TO REDUCE THE RISK OF FIRE, ELECTRIC SHOCK, OR INJURY TO PERSONS, OBSERVE THE FOLLOWING:**

- a) Use this unit only in the manner intended by the manufacturer. If you have questions, contact the manufacturer.
- b) Before servicing or cleaning unit, switch power off at service panel and lock the service disconnecting means to prevent power from being switched on accidentally. When the service disconnecting means cannot be locked, securely fasten a prominent warning device, such as a tag, to the service panel.

### **WARNING**

**To reduce the risk of a range top grease fire:**

- a) Never leave surface units unattended at high settings. Boil-overs cause smoking and greasy spillovers that may ignite. Heat oils slowly on low or medium settings.
- b) Always turn hood ON when cooking at high heat or when flambéing food (i.e. Crepes Suzette, Cherries Jubilee, Peppercorn Beef Flambe").
- c) Clean ventilating fans frequently. Grease should not be allowed to accumulate on fan or filter.
- d) Use proper pan size. Always use cookware appropriate for the size of the surface element.

**READ AND SAVE THESE INSTRUCTIONS**

# Important Safety Instructions

## General Safety Precautions

To reduce the risk of fire, electric shock, serious injury or death when using your appliance, follow basic safety precautions, including the following:

### **WARNING**

- Do not install or operate a damaged appliance. If you receive a damaged appliance, contact your dealer or builder. Do not install or operate this unit if it has been damaged, dropped, has damaged electrical wiring or is not working properly.
- Observe all governing codes and ordinances during planning and installation. Contact your local building department for further information.
- Install or locate this appliance only in accordance with these installation instructions the Dacor cooktop installation instructions and the remote or in-line blower installation instructions. Improper installation, adjustment, alteration, service or maintenance can cause serious personal injury or property damage.
- For general ventilating use only. Do not use to exhaust hazardous or explosive materials and vapors.
- This appliance is not equipped with its own blower. For proper operation it must be installed with an externally mounted blower. Use only one of the models specified. Only one blower shall be installed.
- Use this raised vent only for its intended purpose as outlined in the use and care manual. This appliance is not intended for commercial use.
- Keep all packaging materials away from children. Plastic bags can cause suffocation.
- Before installing or servicing the raised vent, disconnect the power plug from the electrical outlet.
- To reduce the risk of electric shock or fire connect only one of the specified blowers.

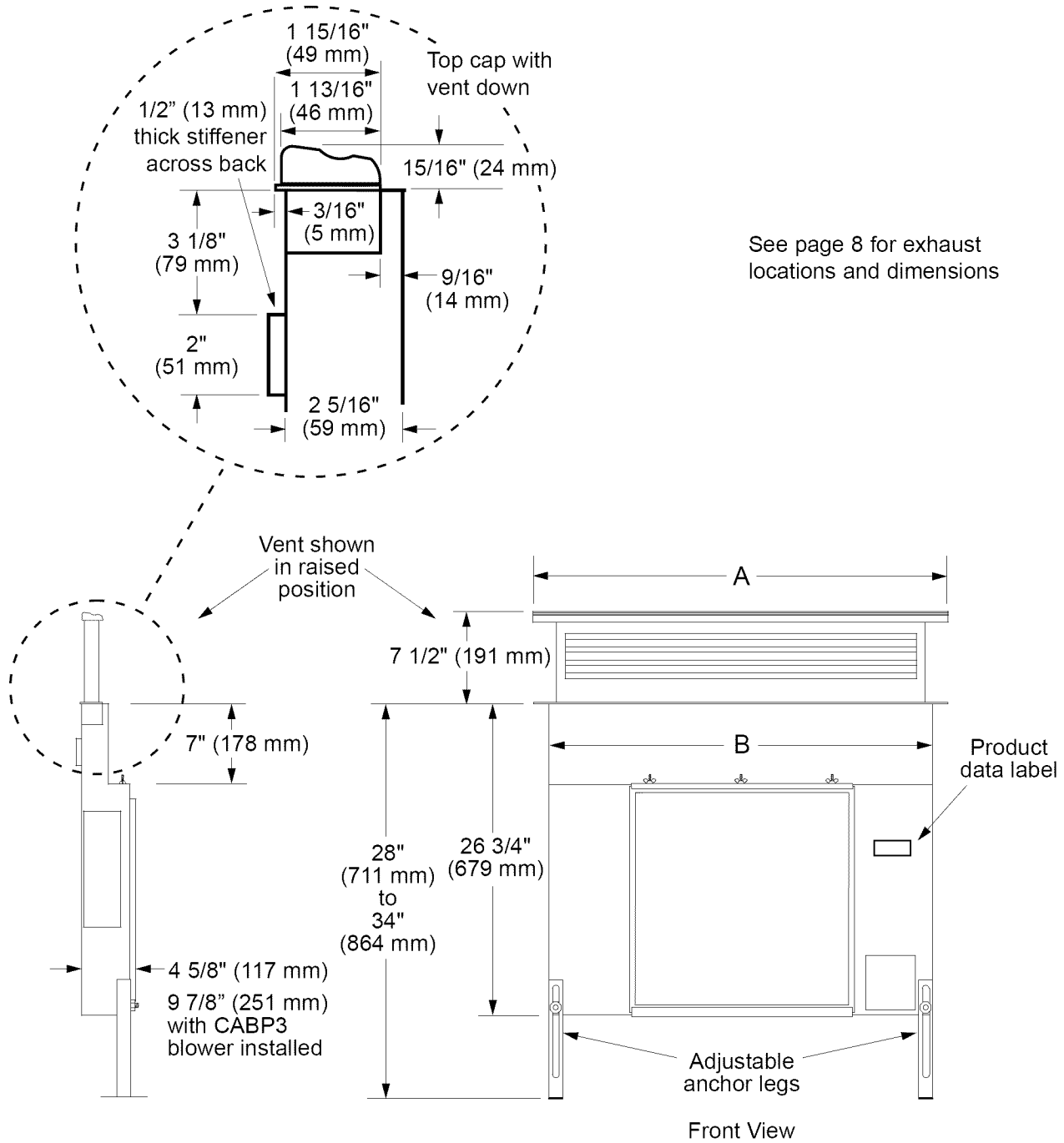
### **WARNING**

- The installer must show the customer the location of the electrical outlet so that the customer knows where and how to disconnect power.
- Read the use and care manual completely before operating this appliance.
- Do not tamper with the controls.
- Never allow the filters or vent openings to become blocked or clogged. Do not allow foreign objects, such as cigarettes or napkins, to be sucked into the vent holes.
- Clean the filters and all grease-laden surfaces often to prevent grease fires and maintain performance. Clean this appliance only as specified in the use and care manual.
- The customer should not install, repair or replace any part of this unit unless specifically recommended in the literature accompanying it. A qualified service technician should perform all other service. Contact the Dacor Customer Service Team for examination, repair or adjustment.
- Do not leave children or pets alone or unattended in the area around the cooktop when it is in use. Never allow children to sit or stand on an appliance. Do not let children play with the cooktop or the raised vent. Do not store items of interest to children above or around the appliance.
- Do not store items of interest to children above or around the cooktop.
- Do not set or rest any objects, including cookware, on top of the vent top cap. Do not interfere with the movement of the vent intake in any way.

# Product Specifications

## Product Dimensions

Tolerances:  $\pm 1/16"$  ( $\pm 1.6$  mm) unless otherwise stated



Model Number	A - Top Cap Width	B - Chassis Width
RV30	30" (762 mm)	27 $\frac{3}{8}"$ (695 mm)
RV36	36" (914 mm)	33 $\frac{3}{8}"$ (848 mm)
RV46	46" (1168 mm)	43 $\frac{3}{8}"$ (1102 mm)

# Installation Specifications

## Electrical Specifications

### **WARNING**

The electric service for the raised vent should be installed only by a licensed electrician.

It is the owner's responsibility to ensure that the electrical connection of this appliance is performed by a qualified electrician. The electrical installation, including minimum supply wire size and grounding, must be in accordance with the National Electric code ANSI/NFPA 70- 2002\* (or latest revision) and local codes and ordinances.

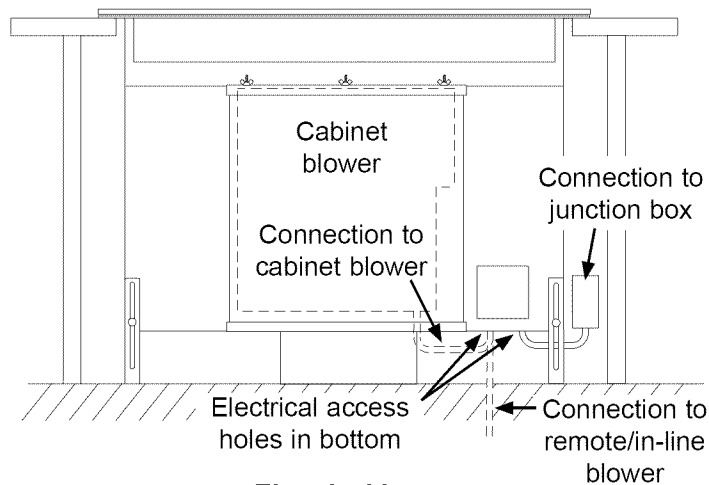
\*A copy of this standard may be obtained from:

National Fire Protection Association  
1 Batterymarch Park  
Quincy, Massachusetts 02269-9101

## Electrical Supply Requirements

Power must be supplied by a separate, grounded, single phase circuit protected by a properly sized circuit breaker or time delay fuse and rated at 120 Vac, 60 Hz, 15 Amps.

- The above specifications are for reference only. If the power supply requirements shown above do not agree with those listed on the product data label, use the ratings on the label.
- The suggested location of the junction box supplying power to the unit is to the bottom right of the unit, providing local codes permit.
- Install 3 conductor wiring/conduit with minimum current carrying capacity of 8 Amps to supply power to the blower from the raised vent when turned on. See the following pages for further details.
- When installing a remote or in-line blower run the wiring/conduit parallel to the duct work and connect it to the blower and raised vent on the ends. There are two 7/8" access holes in the bottom of the raised vent for connecting the wiring to the blower and connecting the vent to the power supply junction box.



**Electrical Layout**

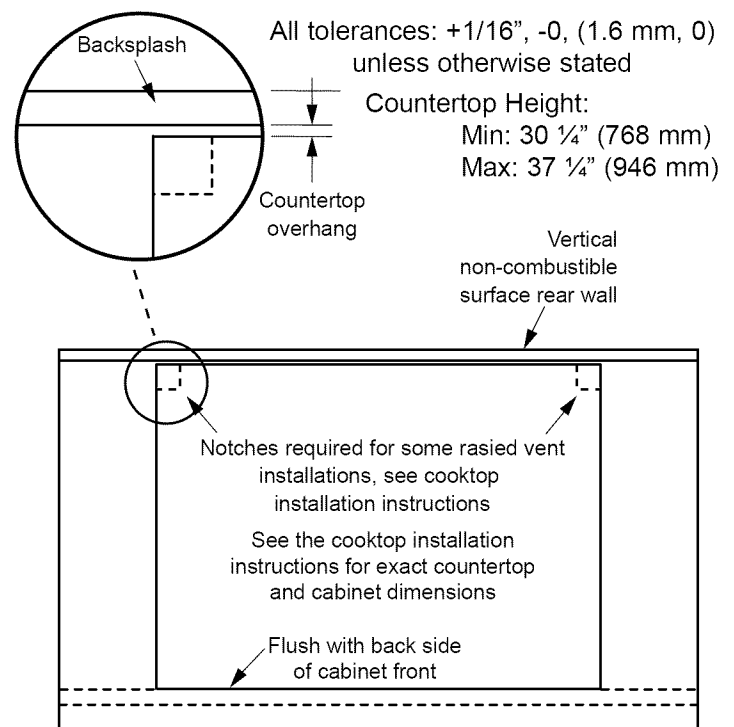
## Planning the Installation

### General System Layout

The vent system consists of the raised vent itself and a single, Dacor approved, externally mounted blower (see page 5 and 6 for examples).

### **WARNING**

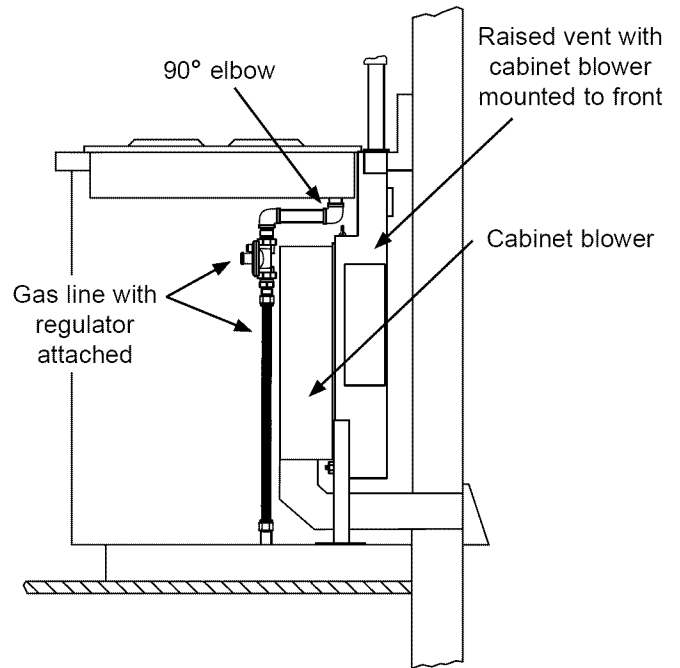
- Failure to install an approved blower and proper duct work with the appliance will result in a back draft and/or the insufficient venting of smoke and fumes.
  - To reduce the risk of personal injury caused by reaching over a hot appliance, cabinet storage space located directly above the cooktop should be avoided.
  - Follow the instructions and diagrams for minimum safe clearances and installation location in these instructions, the appliance installation instructions and the blower installation instructions. Failure to do so may result in a fire or safety hazard.
- Install the raised vent, blower and cooktop so that they can be removed if service is required.
  - Refer to the cooktop installation instructions for the minimum cutout dimensions specific to the particular raised vent model being installed.
  - The raised vent is equipped with adjustable anchor legs to accommodate various cabinet heights.
  - All contact surfaces between the raised vent and any cabinets or walls must be solid and at right angles.



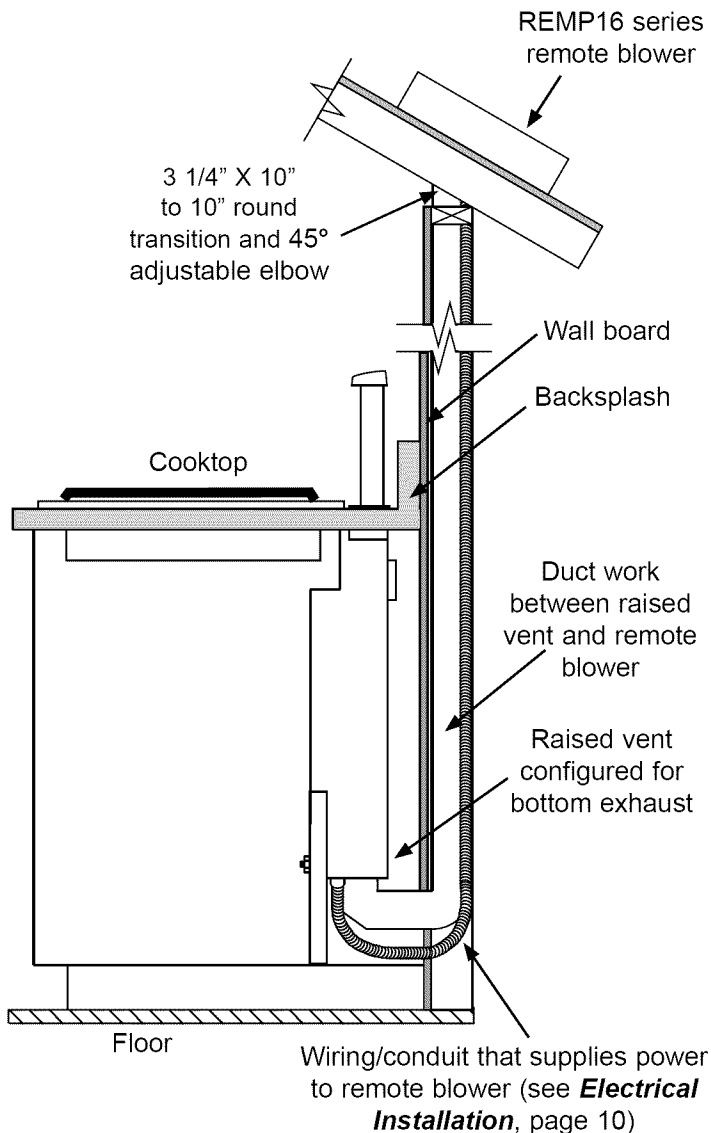
**General Countertop Layout**

# Installation Specifications

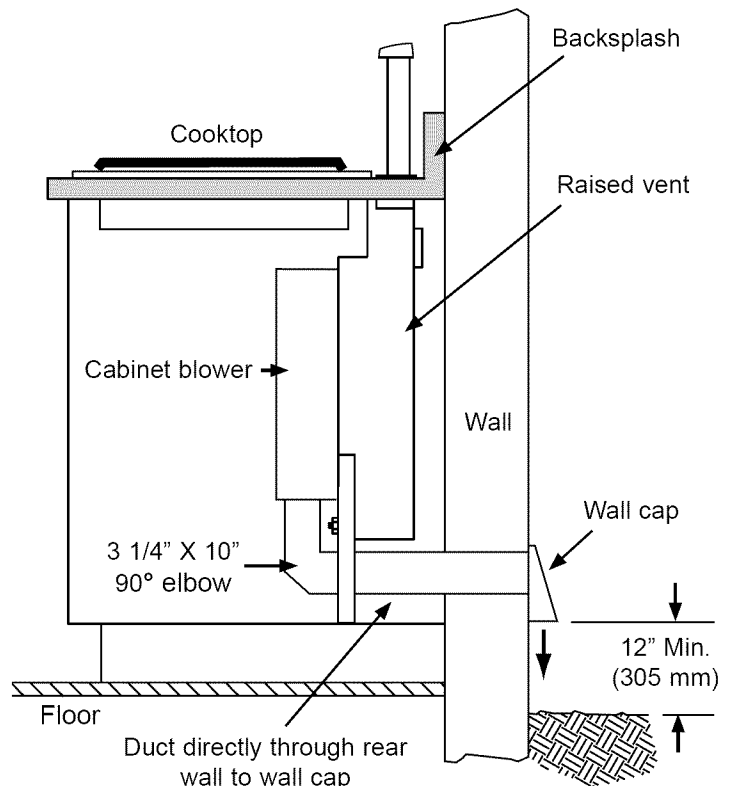
- The raised vent exhaust may be configured to vent through the bottom or through one of the sides. Allow room for the exhaust duct coming out of the unit. See **Planning the Duct Work** (page 7) for additional details.
- The maximum allowable duct run must be taken into consideration when determining the layout. See **Planning the Duct Work** for further details.
- Access from the front of the cabinet to the underside of the cooktop, the vent system and the electrical and gas supplies for the cooktop and vent must be provided for inspection and service. Any drawers or shelves placed below the cooktop and in front of the vent must be easy to remove for access to the cooktop, vent and utilities.
- For installation with gas cooktops, a 90-degree elbow must be connected to the cooktop gas inlet (see diagram at right) to avoid interference with the raised vent's front panel.



**Example of Gas Line Routing for Gas Cooktop Installations - Side View**



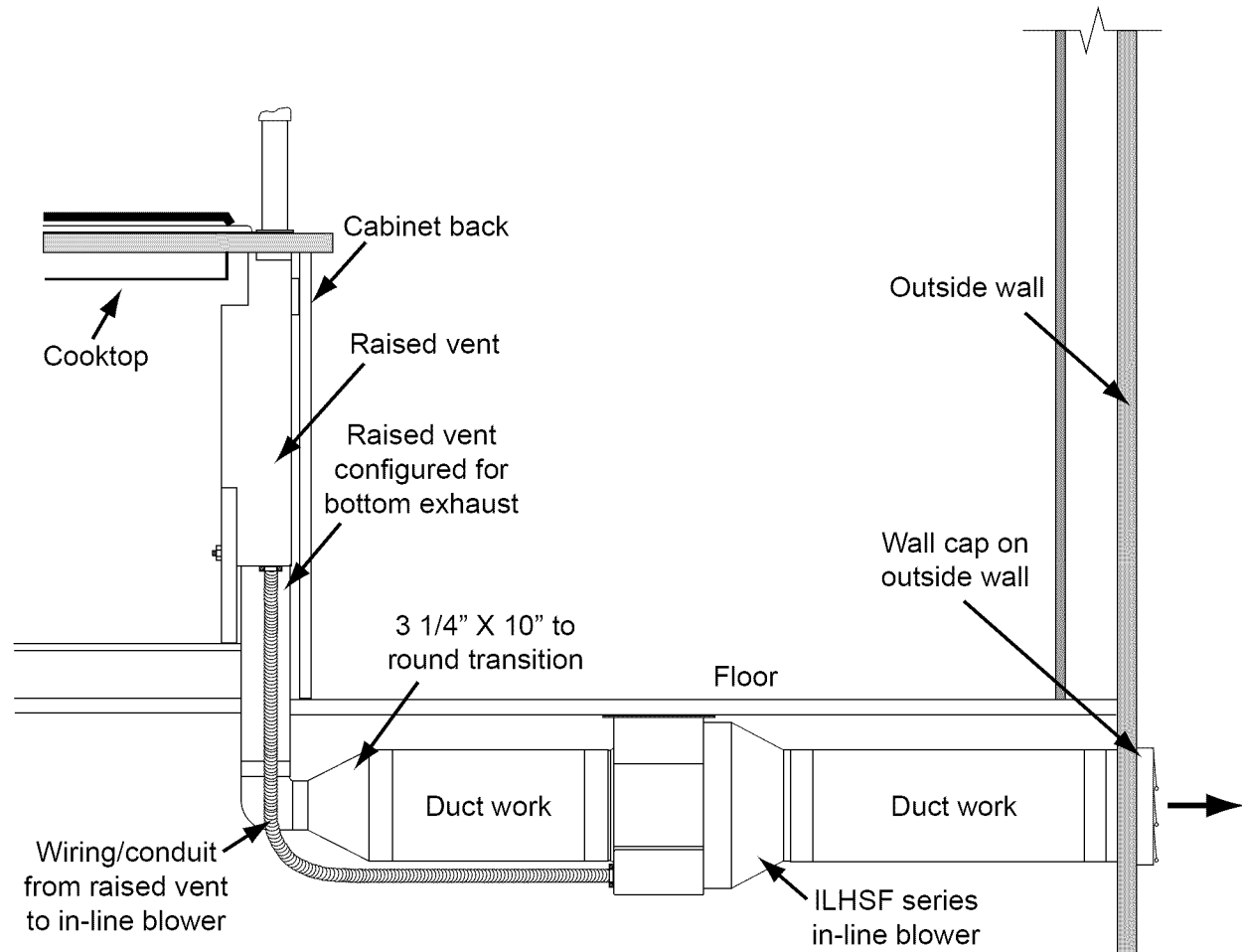
**Example of Layout with Remote Blower, Roof Exhaust**



**Example of Layout with Cabinet Blower, Exhaust Through Wall**

# Installation Specifications

## General System Layout (Continued)



**Example of Layout with In-line Blower, Duct Work Under Floor, Wall Exhaust**



# Installation Specifications

## Planning the Duct Work

### WARNING

- To reduce the risk of fire and to properly exhaust air, be sure to duct air outside the house or building. Do not vent exhaust air into spaces within walls or ceilings or into attics, crawl spaces or garages.
- Tape all duct joints securely to prevent combustion by-products, smoke or odors from entering the home. Doing so will also improve system efficiency.
- **TO REDUCE THE RISK OF FIRE, USE ONLY METAL DUCT WORK.**
- **DO NOT** install more than one blower. Even small differences between blower air flow rates can greatly reduce the air draw by the raised vent.

You must install one of the Dacor blower models listed below for proper operation. For ILHSF or REMP series blowers, see the blower installation instructions. For model CABP3, see the instructions later in this manual. Only one blower shall be installed.

APPROVED DACOR BLOWERS FOR USE WITH RV SERIES RAISED VENTS	
Model Number	Rating
CABP3	600 CFM*
ILHSF8	600 CFM**
ILHSF10	1100 CFM**
REMP3	600 CFM**
REMP16	1000 CFM**

\* Nominal rating at zero inches static pressure, see the **CABP3 Cabinet Blower Data** on page 15 for actual rating.

\*\* Nominal rating at zero inches static pressure. See the blower installation instructions for actual blower rating.

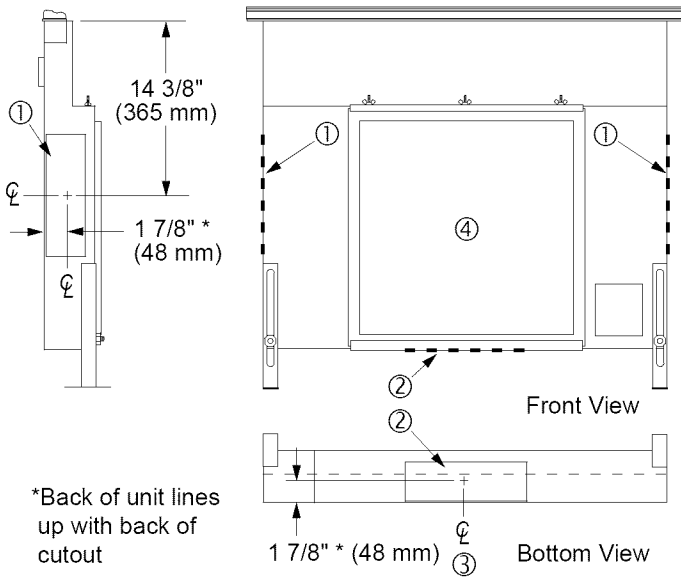
- The raised vent can be configured to exhaust through the bottom or either side:
  - ▶ On installations using the ILHSF or REMP series blowers, the cover plate on the appropriate side or on the bottom is removed to expose the exhaust. See page 8 for locations and dimensions. Configure the raised vent for bottom exhaust and use an elbow to vent through the rear cabinet wall.
  - ▶ On installations using the CABP3 blower, the blower assembly is mounted to the front of the raised vent with the exhaust pointing in the desired direction. See page 8. Point the exhaust down and use an elbow to vent through the rear cabinet wall.
- When planning new duct work, always look for the shortest, most direct route to the outside. See pages 5 and 6 for examples. Calculate the maximum duct length (see page 9) to determine if the planned duct route will work with the blower selected.
- On bottom exhaust installations you may cut a hole in the floor to allow the duct work to pass through.
- All duct work materials (including screws and duct tape) must be purchased separately by the customer.

- You can increase the duct size over the duct run if desired. To prevent a back draft, never decrease the duct size over the run.
- Do not rely on duct tape alone to seal duct joints. Fasten all connections with sheet metal screws and tape all joints with certified silver tape or duct tape.
- Use sheet metal screws as required to support the duct weight.
- To prevent back-drafts, a damper at the duct outlet may also be required.
- Make sure duct work does not interfere with floor joists or wall studs.
- With concrete slab construction, “box-in” the duct work and blower wiring to prevent collapsing or other damage when the wet concrete is poured.
- Cross-drafts or air currents from adjacent open windows or doors, heating/air conditioning outlets, ceiling fans and recessed ceiling lights reduce vent efficiency.

### Duct Work Design Tips

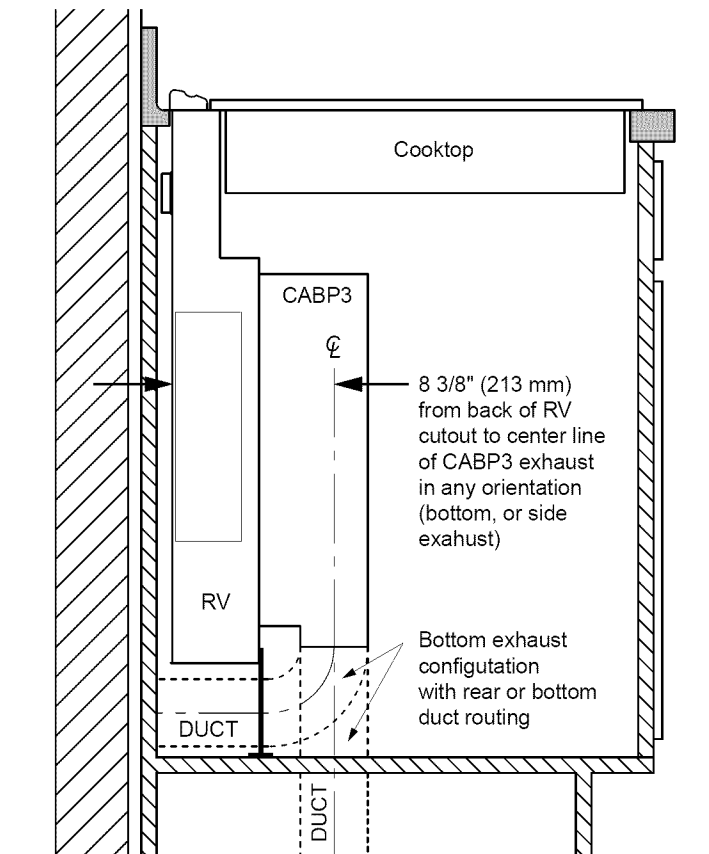
- Wherever possible, reduce the number of transitions and turns to as few sharp angles as possible. Two staggered 45° angles are better than one 90°. Keep turns as far away from the hood exhaust as possible, with as much space between each bend as possible.
- For best performance, use round duct instead of rectangular when possible, especially when elbows are required.
- If multiple elbows are used, try to keep a minimum of 24” of straight duct between them. Avoid “S” or “back to back” configurations of adjacent elbows.
- Do not use flexible metal duct.

# Installation Specifications

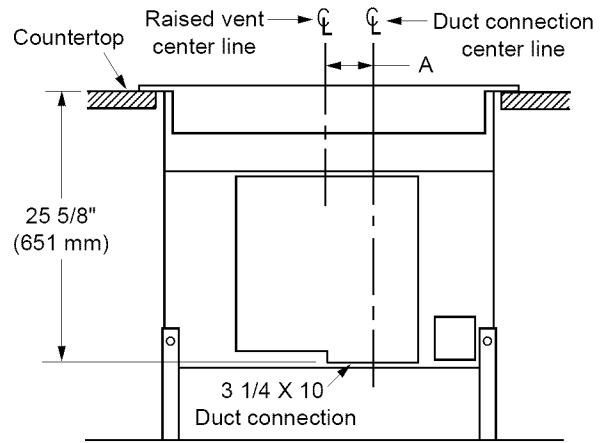


- ① Side Exhaust Locations (3 1/4" X 10")
- ② Bottom Exhaust Location (3 1/4" X 10")
- ③ Vertical center line of bottom exhaust lines up with vertical center line of chassis
- ④ Internal cabinet blower mounting location

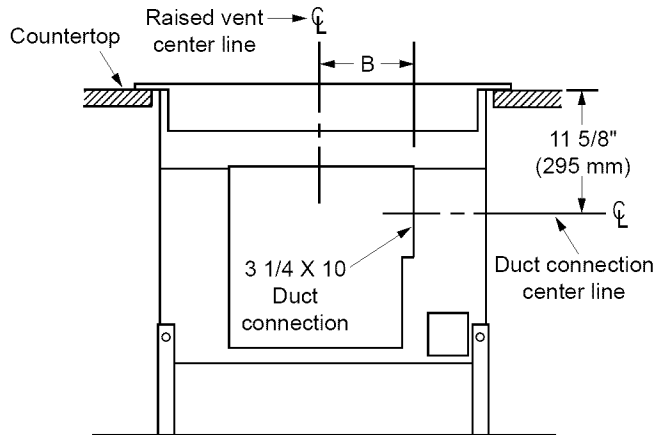
## Exhaust Locations and Dimensions for Remote or In-line Blower Configurations (ILHSF and REMP series blowers)



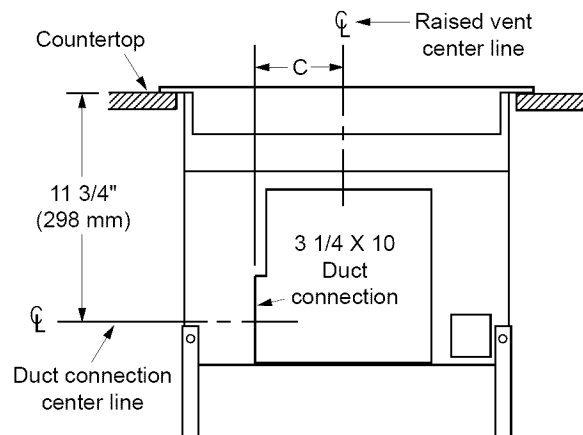
## Exhaust Locations and Side Dimensions for CABP3 Cabinet blower



## Front Exhaust Dimensions CABP3 Blower - Bottom Exhaust



## Front Exhaust Dimensions CABP3 Blower - Right Exhaust



## Front Exhaust Dimensions CABP3 Blower - Left Exhaust

Model	A	B	C
RV30	2" (51 mm)	6" (152 mm)	12" (205 mm)
RV36	2" (51 mm)	6" (152 mm)	12" (205 mm)
RV46	5" (127 mm)	9" (229 mm)	9" (229 mm)

# Installation Specifications

## Calculating the Maximum Duct Run Length

- Do not use duct work that is smaller in cross-sectional area than the required duct sizes in the table to the right.
- For best performance, keep the duct run as short as possible and never exceed the maximums stated at the right.
- The maximum straight duct length for the raised vent system depends on the model of blower used with the vent system and the number of elbows and transitions used. The **Equivalent Number of Feet** for each elbow and transition (see table) must be subtracted from the maximum straight length to compensate for wind resistance. To determine the maximum allowable length of the duct work, subtract all of the equivalent lengths of the elbows and transitions from the **Blower Maximum Duct Straight Length**.

**For example, for a raised vent system using 3 1/4" X 10" rectangular duct, two (2) 3 1/4" X 10" 90° elbows, a 3 1/4" X 10" rectangular to 10" round transition with a REMP16 remote blower:**

- From the **Blower Maximum Duct Straight Length** table, the maximum length without transitions and elbows is 60 feet.
- The equivalent length of each 90° elbow is 15 feet.
- The equivalent length of 45° elbow is 2 feet.
- The equivalent length of the transition is 4 feet.
- The total equivalent length of the above components is: 15 feet + 15 feet + 4 feet + 2 feet = 36 feet.
- The maximum amount of straight duct that can be used with a REMP16 and the above components is: 60 feet - 34 feet = 24 feet.

Equivalent Number of Feet - Duct Elbows and Transitions			
45° elbow 8 Inch	3 feet	3 1/4" X 10 45° elbow	7 feet
45° elbow 10 Inch	2 feet	3 1/4" X 10 90° elbow	15 feet
90° elbow 8 Inch	7 feet	3 1/4" X 10 90° flat elbow	20 feet
90° elbow 10 Inch	5 feet	3 1/4" X 10 to 8" round transition	4 feet
90° 3 1/4" X 10 to 8" round transition	25 feet	3 1/4" X 10 to 10" round transition	4 feet
Roof cap*	**	Wall cap with damper*	**

\* Not applicable for REMP series blowers.

\*\* The equivalent lengths of roof and wall caps vary with model and configuration. For equivalent length, contact the manufacturer or a qualified HVAC specialist.

Blower Used	Blower Maximum Duct Straight Length		
	8 Inch Duct	10 Inch Duct	3 1/4" X 10" Duct
<b>CABP3</b>	50 feet (15.2 meters)	40 feet (12.2 meters)	40 feet (12.2 meters)
<b>ILHSF8</b>	60 feet (18.3 meters)	50 feet (15.2 meters)	50 feet (15.2 meters)
<b>ILHSF10</b>	70 feet (21.3 meters)	80 feet (24.4 meters)	70 feet (21.3 meters)
<b>REMP3</b>	60 feet (18.3 meters)	50 feet (15.2 meters)	50 feet (15.2 meters)
<b>REMP16</b>	70 feet (21.3 meters)	80 feet (24.4 meters)	70 feet (21.3 meters)

# Installation Instructions

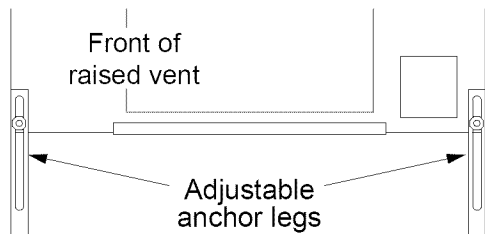
## Parts List

- Product literature
- Vent cover
- Anchoring legs
- 2 wood screws, #14 x 2 1/2 (PN 83047)
- 3 wire nuts
- 2 sheet metal screws, #10 x 1/2 (PN 83022)
- 3 3/4" X 10 duct mounting flange
- 2 keps nuts, 1/4-20 (PN 83049)
- 2 flat washers, 1/4-20 (PN 83203)
- Insulation foam

## Installation Preparation

### WARNING

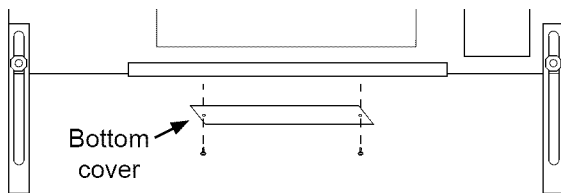
- If the electrical service does not meet the **Electrical Specifications** on page 4, do not proceed with the installation. Call a licensed electrician to install an electrical circuit that meets the specifications.
  - Install the vent only in a vertical orientation. Do not mount the vent on a slant or angle.
  - Do not enlarge or modify the exhaust knock outs or cut an exhaust hole in a location on the chassis other than those shown. Doing so may cause an increase in noise and decrease performance.
- Loosely attach the anchoring legs to the studs on the left and right sides of the raised vent using the provided keps nuts and washers.



## Installation Preparation for Raised Vent with ILHSF or REMP Series Blower:

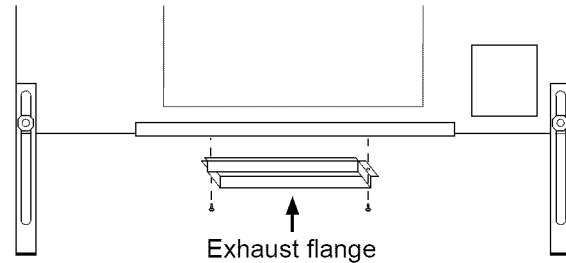
**NOTE:** For units using the CABP3 cabinet blower, skip to **Installing the Vent in the Cutout** on the next page.

1. Remove and retain the two (2) screws on the cover plate over the exhaust that will be used (bottom or side). Discard the cover plate that was removed, but leave the two other cover plates in place.



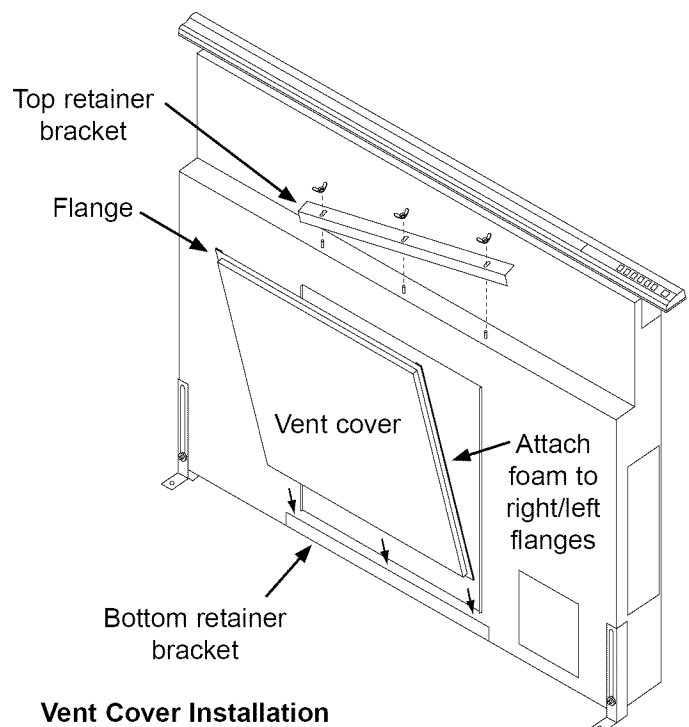
Exhaust Cover Removal (bottom shown)

2. Locate the 3 1/4" X 10 duct mounting flange included with the unit. Attach it to the open exhaust hole using the two (2) screws removed in step 1, with the flange facing outward.



Exhaust Flange Installation (bottom shown)

3. Locate the vent cover included with the unit. Also locate the supplied foam tape. Peel the backing off the tape and attach it to the right and left flanges on the inside of the vent cover.
4. Remove and retain the three (3) wing nuts from the top retainer bracket on the front of the unit. Remove the bracket.
5. Slide the bottom flange of the vent cover into the bottom retainer bracket with the wiring diagram facing out.
6. Cover the opening on the front of the unit by pushing the vent cover against it.
7. Make sure that the foam tape on the cover creates a good seal on the right and left sides of the opening.  
**IMPORTANT:** To prevent interference with the internal moving parts, make sure the cover is properly centered over the opening.
8. Reinstall the top retainer bracket over the top of the vent cover flange. Secure it in place with the three (3) wing nuts removed in step 4.



Vent Cover Installation

# Installation Instructions

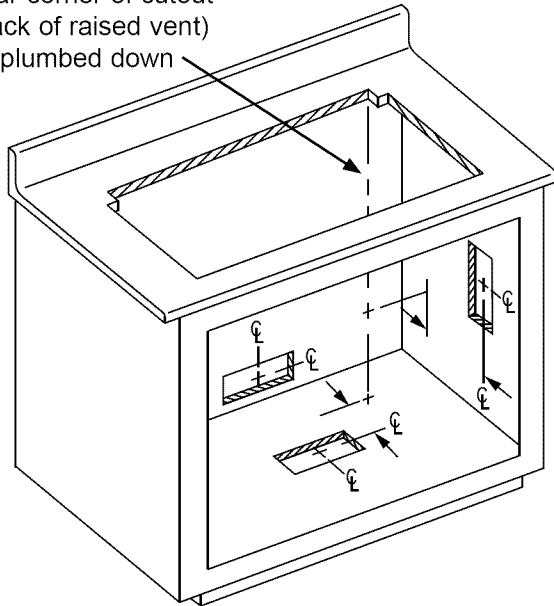
## Installing the Vent in the Cutout

**NOTE:** The raised vent installs in the back of the cutout, separate from the cooktop. It is installed prior to final installation of the cooktop.

### Installing the Raised Vent

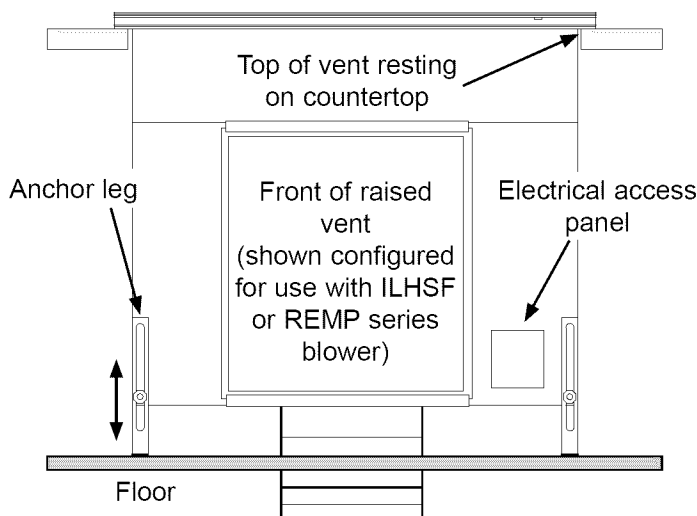
1. Cut a hole in the cabinet to allow the duct work to pass through to the floor or wall for the planned duct system layout. Use the dimensions on pages 3 and 8 to determine the hole center line locations.

Rear corner of cutout  
(back of raised vent)  
plumbed down



### Possible Duct Hole Locations

2. Gently slide the vent into the rear of the countertop cutout with the electrical access panel toward the front.
3. Adjust the anchoring leg height so that the end caps are gently resting on the counter, then tighten the hex nuts.
4. Secure the anchoring legs to the cabinet floor with the supplied wood screws.



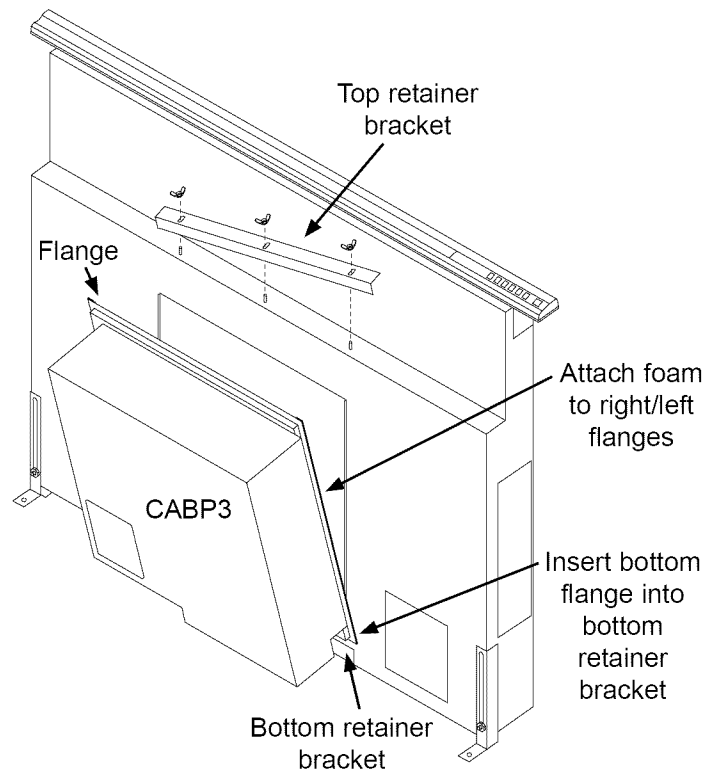
## ILHSF or REMP Series Blower Installation

If using a ILHSF or REMP series blower, install it according to the blower installation instructions.

## Cabinet Blower Installation

### If using cabinet blower (model CABP3):

1. Locate the foam tape supplied with the raised vent. Place the blower on the floor in the orientation it will be mounted on the front of the raised vent. Peel the backing off the tape and attach it to the right and left flanges of the blower base plate.
2. Remove and retain the three (3) wing nuts from the top retainer bracket on the front of the unit. Remove the bracket.
3. Slide the bottom flange of the blower base plate into the bottom of the retaining bracket with the blower exhaust in the desired orientation.
4. Cover the opening on the front of the unit by pushing the blower against it. Make sure that the foam tape on both sides of the base plate creates a good seal on the right and left side of the opening. Center the blower base plate horizontally over the opening on the front of the raised vent. **IMPORTANT:** To prevent interference with the internal moving parts, make sure the blower assembly is properly centered over the opening.
5. Reinstall the top vent retainer bracket over the blower base plate flange. Secure it in place with the three (3) wing nuts removed in step 2.



### Cabinet Blower Installation

# Installation Instructions

## Duct Work Installation

- Install the duct work from the raised vent to the point where it exits the building according to the **Installation Specifications**. Use sheet metal screws and duct tape to connect and seal all of the pieces. Support the duct weight as necessary to ensure sealed joints.
- On installations using an ILHSF or REMP series blower, run the three conductor wiring required to power the blower parallel to the duct work from the raised vent to the blower. The wiring must meet the electrical specifications on page 4 and local codes and ordinances. Connect it as specified below.

## Electrical Installation

### **WARNING**

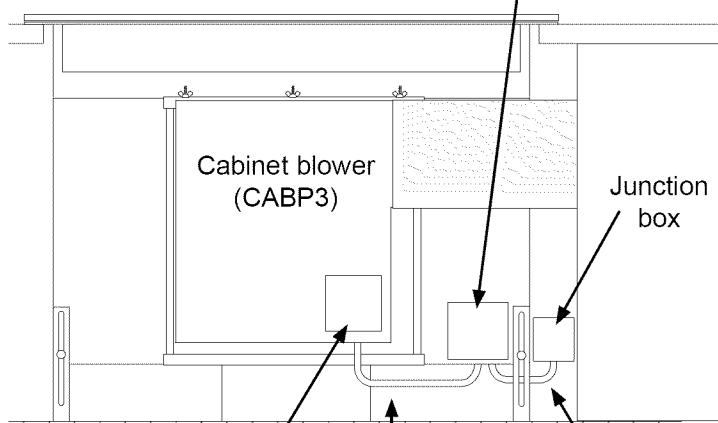
- **ELECTRIC SHOCK HAZARD** - Turn off power at the circuit breaker panel or fuse box prior to connecting the unit to the electrical circuit.
- Do not ground the appliance with the neutral (white) house supply wire. A separate ground wire must be utilized.
- Failure to complete electrical connections properly may result in an electric shock hazard or a damaged or non-functional system. Follow the wiring diagrams carefully to ensure a proper installation. Do not change the factory wired terminal connections inside the electrical access panel for the raised vent or the blower.
- To avoid an electric shock hazard and to prevent damage route all wiring away from hot surfaces.

1. Make sure power to the junction box that will supply power to the raised vent is turned off at the circuit breaker or fuse box.
2. Remove the screws from the front of the raised vent electrical access cover and remove it.
3. Connect the raised vent to the junction box according to **Wiring Diagram B** on the facing page and local codes and ordinances. Make sure all terminal connections, including the factory wired connections, are tight.

4. On installations using an cabinet blower (CABP3):
  - Remove the electrical access cover from the front of the blower.
  - Cut a piece of wire/conduit long enough to reach from the power terminals inside the raised vent to the power terminals inside the CABP3 blower, via the electrical access holes on both units. The location of the access hole on the CABP3 varies depending on the blower orientation.
5. Connect the wiring/conduit that supplies power to the remote/in-line blower or cabinet blower (as applicable) as shown in **Wiring Diagram B** on the facing page.
6. Replace the electrical access panel on the raised vent.
7. Connect the blower power supply wiring from the raised vent to the blower:
  - On installations using a ILHSF or REMP series blower, connect the wiring according to the blower installation instructions.
  - On installations using an cabinet blower, (CABP3) connect the wiring according to **Wiring Diagram A** on the facing page. Replace the blower electrical access cover. Make sure all terminal connections, including the factory wired connections, are tight.

# Installation Instructions

Raised vent electrical connections - see **Wiring Diagram B**

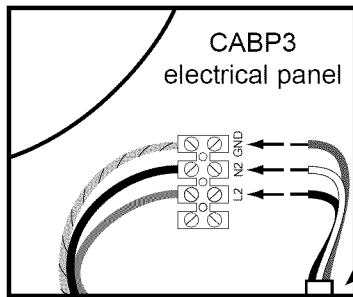


Blower electrical connections - see **Wiring Diagram A**

Power supply wiring from junction to raised vent

Power supply wiring from raised vent to CABP3 blower

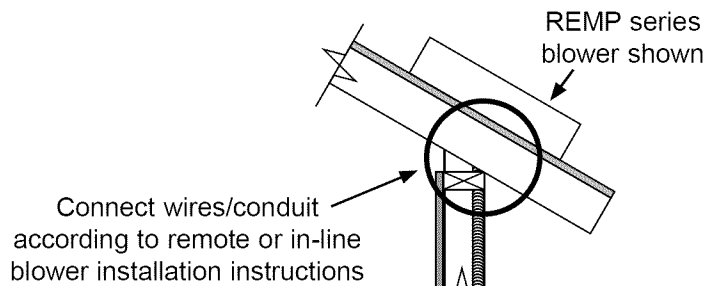
## Electrical Wiring - Cabinet Blower Installations (CABP3)



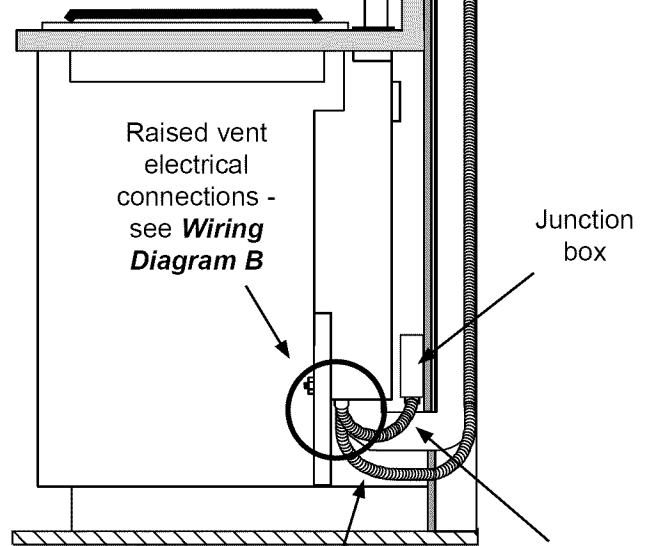
Black = L2  
White = N2  
Green = Gnd

Wiring to **Blower Output** terminals on raised vent

## Wiring Diagram A - Electrical Connections for CABP3 Blower



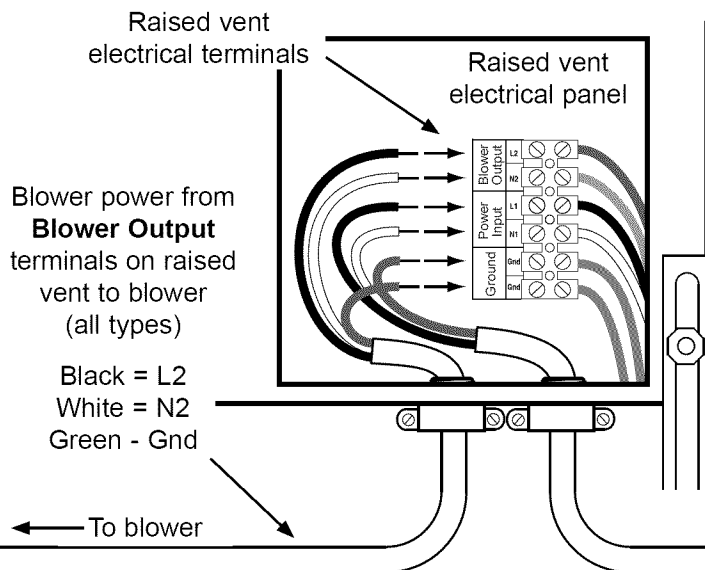
Connect wires/conduit according to remote or in-line blower installation instructions



Power supply wiring from raised vent to remote or in-line blower

Electrical wiring from raised vent to junction box

## Electrical Wiring - Remote or In-line Blower Installations (ILHSF or REMP series)



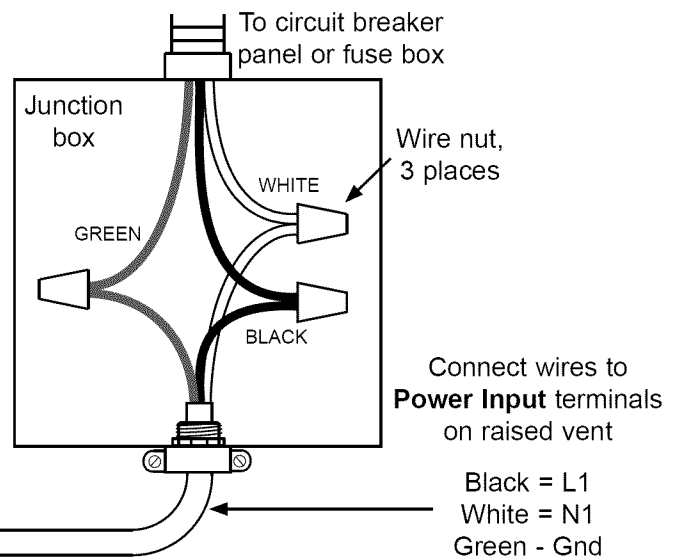
Raised vent electrical terminals

Raised vent electrical panel

Blower power from **Blower Output** terminals on raised vent to blower (all types)

Black = L2  
White = N2  
Green = Gnd

To blower



To circuit breaker panel or fuse box

Junction box

Wire nut, 3 places

GREEN

BLACK

Connect wires to **Power Input** terminals on raised vent

Black = L1  
White = N1  
Green = Gnd

## Wiring Diagram B - Raised Vent Electrical Connections

# Installation Instructions

## Final Installation

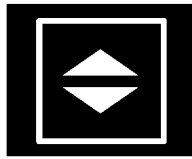
Install the cooktop according to its installation instructions. Set the cooktop into the countertop opening so that the back edge of the cooktop overlaps the leading edge of the vent.

## Verifying Proper Operation

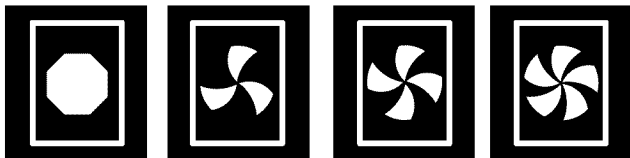
### **WARNING**

- Read the raised vent use and care manual completely before operation.
- Make sure the filters are installed prior to operating the raised vent. Refer to the use and care manual for filter installation instructions.

1. Turn on power to the raised vent at the circuit breaker panel or fuse box.
2. Press the **UP/DOWN** button once to raise the vent to its operating position. Once in the up position, the blower should come on and the vent should begin to draw in air.
3. Push the **OFF, LOW, MEDIUM** and **HIGH** buttons in turn to make sure the speed changes or the blower turns off.



**UP/DOWN**



**OFF**

**LOW**

**MED**

**HIGH**

4. Press the **UP/DOWN** button once to lower the vent.
5. Make sure that the top cap on the raised vent intake does not catch on the back edge of the cooktop when the intake is lowered. If interference occurs, adjust the position of the cooktop to prevent damage.

If the raised vent is not operational after installation:

- Make sure that power is being supplied to the raised vent and to the blower (via the raised vent).
- If the vent will not raise properly or makes a scraping sound, remove the vent cover or cabinet blower and check for obstructions interfering with the raising mechanism. Replace the vent cover or cabinet blower and make sure it is properly centered over the opening on the front of the raised vent.

If the raised vent still does not function after performing the above checks, do not attempt to repair it yourself. Contact Dacor Distinctive Service at (877) 337-3226. Have the model and serial numbers from the product data labels for the raised vent and the blower available when you call.

Dacor is not responsible for the cost of correcting problems caused by a faulty installation.

## Installation Checklist

### **WARNING**

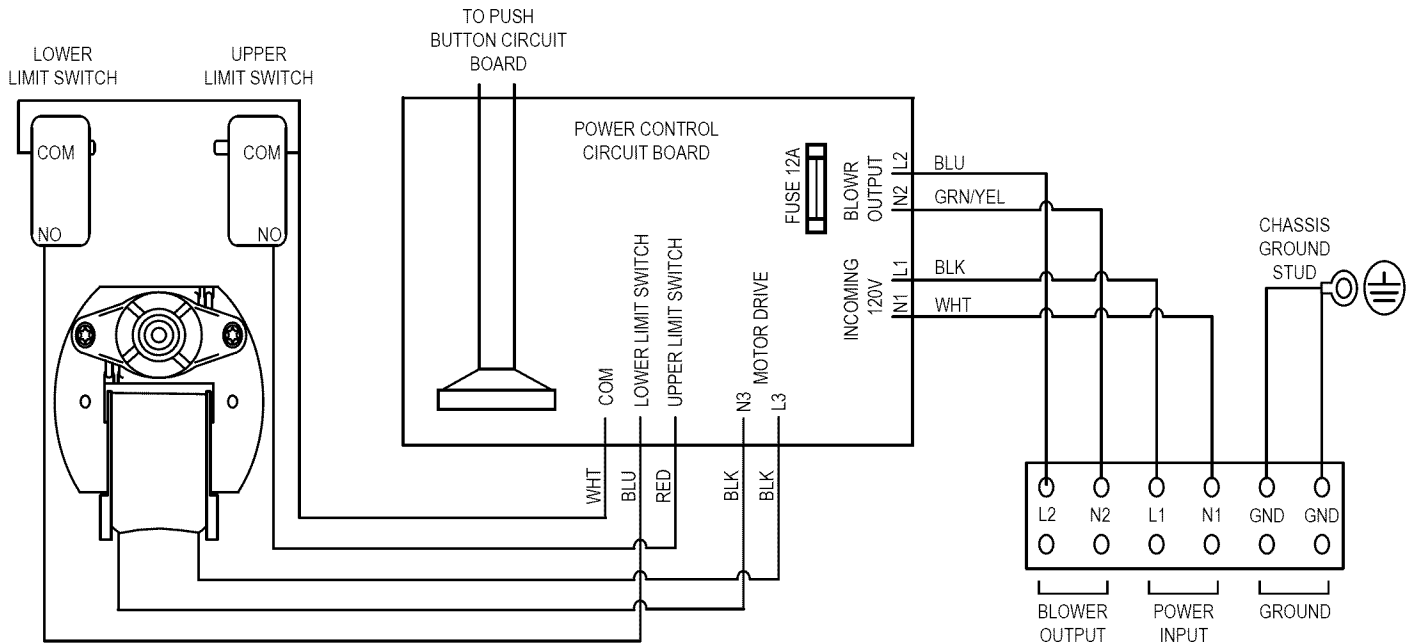
In the interest of safety, perform the following checklist to make sure the unit has been properly installed. Proper installation is the responsibility of the consumer.

- Are the anchor legs extended down to make contact with the floor and tightened into place? Are the anchor legs fastened to the floor? Is the unit level?
- Is the duct work completely installed? Are all joints attached with sheet metal screws and wrapped with duct tape?
- Is the Input Power for the raised vent connected to the junction box? Are all terminals tight?
- Is the blower power input connected to the Output Power terminals on the raised vent? Are all terminals tight?
- Is the wiring routed away from the hot surfaces of the cooktop.
- Are the vent filters installed according to the use and care manual?
- Has proper operation been verified?
- Has the warranty been activated on-line or the warranty card been filled out completely and mailed?



# Technical Data

## RV Raised Vent Wiring Diagram



## CABP3 Cabinet Blower Ratings

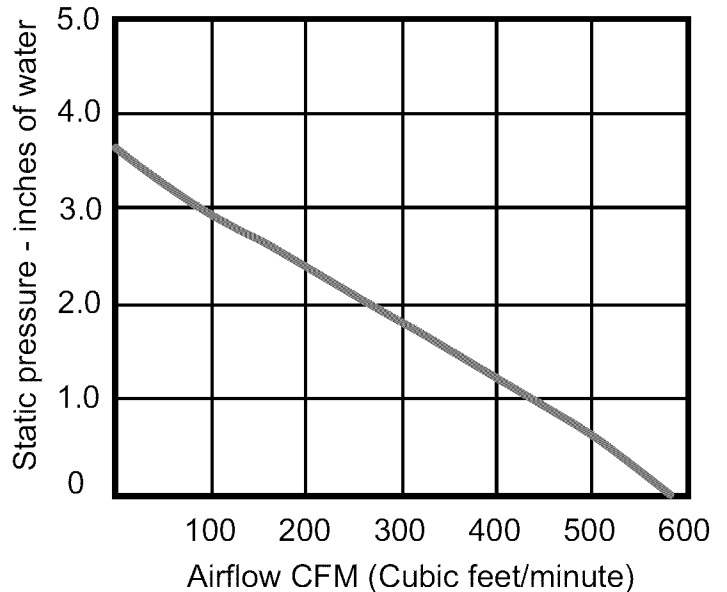
CABP3 Cabinet blower Airflow*	
Nominal	600 CFM
Actual	585.6 CFM

\* At zero inches static pressure

Electrical Rating: 4 Amps. @ 120 Vac, 60 Hz.

For ILHSF or REMP series blower ratings, see the blower installation instructions.

CABP3 Blower Performance



# Notes

***dacor***<sup>®</sup>  
The Life of the Kitchen.<sup>®</sup>

