

# EH, EHR and MH Series Range Hoods

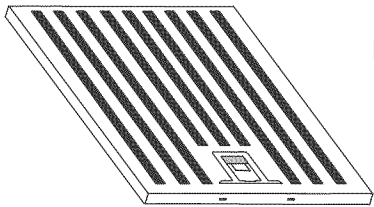


## Baffle Kit AHBF2, AHBF3, AHBF4

## INSTALLATION INSTRUCTIONS

These instructions contain information on the installation and care of the optional baffle style filters for Dacor EH, EHR and MH series range hoods. The baffle style filters replace that standard mesh type filters that come standard with the hood.

### Parts included with this kit



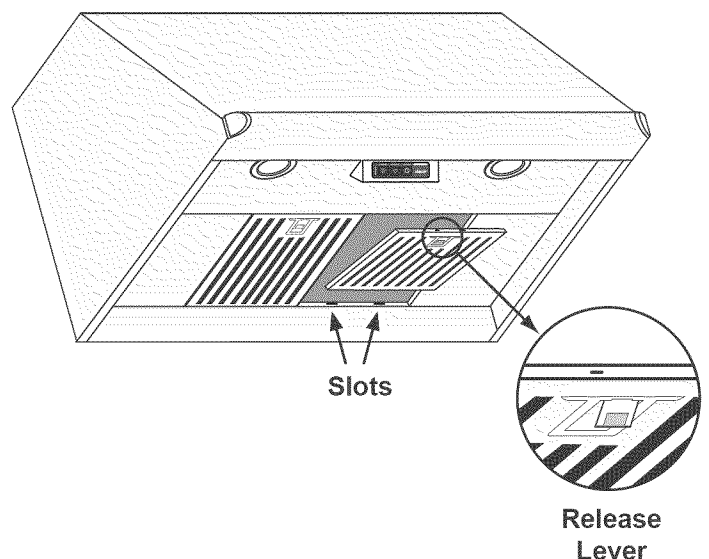
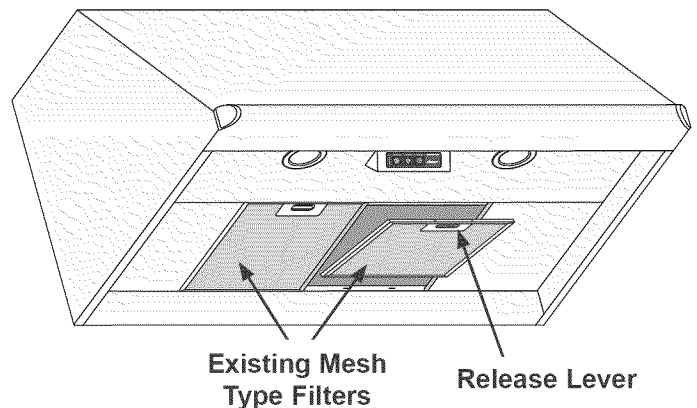
#### Baffles:

- 2 for 30 inch and 36 inch wide models (AHBF2)
- 3 for 42 inch wide models (AHBF3)
- 4 for 48 inch and 54 inch wide models (AHBF4)

### Baffle Installation

The filters are located on the bottom of the hood, directly above the cooking surface.

- STEP 1:** Start by removing the existing filters. Hold one of the filters in place with one hand and push back on the release lever with the other.
- STEP 2:** While pushing back on the release lever, lower the filter out of the hood.
- STEP 3:** Repeat steps 1 and 2 for the remaining filter(s).
- STEP 4:** Install the new baffle type filters. Insert the tabs on the end of the filter opposite the release lever into the slots toward the back of the hood above the hood rim. The release lever must be facing down.
- STEP 5:** Pull on the release lever while sliding the free end of the filter into the filter opening.
- STEP 6:** Push up on the free end until it stops, then release the lever. The filter should lock into place.



Continued on back...

## Cleaning the Filters

- STEP 1:** Remove the filters from the hood to clean them. Hold one filter in place with one hand and pull on the release lever with the other.
- STEP 2:** Lower the filter out of the hood.
- STEP 3:** Follow steps 1 and 2 to remove the remaining filter(s).
- STEP 4:** Hand wash the filters in hot water with a mild detergent solution or dishwashing soap. You may also place them in an automatic dishwasher.
- STEP 5:** Dry the filters completely before reinstalling them according to the installation instructions on the front page.

***dacor***<sup>®</sup>  
The Life of the Kitchen.<sup>®</sup>

