



Installation Instructions

Epicure[®] and Millennia[®] Wall Mount Range Hoods

For use with models:

EH30, EH36, EH42, EH48, EH54,
MH30, MH36 and MH48

APPROVED FOR USE WITH ALL DACOR[®] RANGES AND COOKTOPS.

**TESTED IN ACCORDANCE WITH THE LATEST EDITION OF ANSI/UL 507
STANDARD FOR ELECTRIC FANS AND CAN/CSA-C22.2 NO. 113 STANDARD
FOR FANS AND VENTILATORS.**

Table of Contents

Important Safety Instructions	1	Installation Instructions	9
Important Information About Safety Instructions	1	Rotating the Blower	10
General Safety Precautions	2	AHT10 Transition Kit Installation	16
Product Specifications	3	Mounting Bracket Installation	17
General Specifications	3	Hanging the Range Hood	18
Dimensions	4	Duct Work Installation	18
Product Specifications	5	Final Electrical Installation	19
Parts List	5	Verifying Proper Operation	21
Planning the Installation	6	Installation Checklist	21
Cabinet Layout	6	Wiring Diagrams	22
Power Supply	6		
Preparing for Installation	8		
Verify the Package Contents	8		
Mounting Location Preparation	8		
Electrical Service Installation	8		
Duct Cutout	8		

Before You Begin...

Important:

- **Installer:** In the interest of safety and to minimize problems, read these installation instructions completely and carefully before you begin the installation process. Leave these installation instructions with the customer.
- **Customer:** Keep these installation instructions for future reference and the local electrical inspector's use.

If You Need Help...

If you have questions or problems with installation, contact your Dacor dealer or the Dacor Customer Service Team. For repairs to Dacor appliances under warranty call the Dacor Distinctive Service line. Whenever you call, have the model and serial number of the appliance ready. The model and serial number are printed on the appliance data plate.

Dacor Customer Service Team

Phone: (800) 793-0093 (U.S.A. and Canada)
Monday — Friday 6:00 A.M. to 5:00 P.M. Pacific Time
Web site: www.Dacor.com

Dacor Distinctive Service (for repairs under warranty only)

Phone: (877) 337-3226
Monday — Friday 6:00 a.m. to 4:00 p.m. Pacific Time

Appliance Data Plate

- The appliance data plate contains the model and serial number information and the electrical requirements.
- It is located inside the hood behind the filters on the back side of the chassis. Remove the filters to view it.

All specifications subject to change without notice. Dacor assumes no liability for changes to specifications.

Important Safety Instructions

Important Information About Safety Instructions

- The **Important Safety Instructions** and warnings in these instructions are not meant to cover all possible problems and conditions that can occur. Use common sense and caution when installing, maintaining or operating this or any other appliance.
- Always contact the Dacor Customer Service Team about problems and conditions that you don't understand.

Safety Symbols and Labels

DANGER

Immediate hazards that **WILL** result in severe personal injury or death.

WARNING

Hazards or unsafe practices that **COULD** result in severe personal injury or death.

CAUTION

Hazards or unsafe practices that **COULD** result in minor personal injury or property damage.

DANGER

To avoid the possibility of explosion or fire, do not store or use combustible, flammable or explosive vapors and liquids (such as gasoline) inside or in the vicinity of this or any other appliance. Also keep items that could explode, such as aerosol cans away from cooktop burners, ovens and range hoods. Do not store flammable or explosive materials in adjacent cabinets or areas.

WARNING

If the information in this manual is not followed exactly, a fire or explosion may result causing property damage, personal injury or death.

WARNING

WARNING - TO REDUCE THE RISK OF FIRE, ELECTRIC SHOCK, OR INJURY TO PERSONS, OBSERVE THE FOLLOWING:

- a) Use this unit only in the manner intended by the manufacturer. If you have questions, contact the manufacturer.
- b) Before servicing or cleaning unit, switch power off at service panel and lock the service disconnecting means to prevent power from being switched on accidentally. When the service disconnecting means cannot be locked, securely fasten a prominent warning device, such as a tag, to the service panel.

WARNING

WARNING – TO REDUCE THE RISK OF FIRE, ELECTRIC SHOCK, OR INJURY TO PERSONS, OBSERVE THE FOLLOWING::

- a) Installation work and electrical wiring must be done by qualified person(s) in accordance with all applicable codes and standards, including fire-rated construction.
- b) Sufficient air is needed for proper combustion and exhausting of gases through the flue(chimney) of fuel burning equipment to prevent back drafting. Follow the heating equipment manufacturer's guideline and safety standards such as those published by the National Fire Protection Association (NFPA), and the American Society for Heating, Refrigeration and Air Conditioning Engineers (ASHRAE), and the local code authorities.
- c) When cutting or drilling into wall or ceiling, do not damage electrical wiring and other hidden utilities.
- d) Ducted fans must always be vented to the outdoors.

READ AND SAVE THESE INSTRUCTIONS

Important Safety Instructions

CAUTION

For general ventilating use only. Do not use to exhaust hazardous or explosive materials and vapors.

General Safety Precautions

To reduce the risk of fire, electric shock, serious injury or death when using your appliance, follow basic safety precautions, including the following:

WARNING

- Do not install or operate this hood if it has been damaged, dropped, has damaged electrical wires or is not working properly. If the product is damaged when received, immediately contact the dealer or builder.
- This range hood must be installed and grounded by a qualified installer according to these installation instructions.
- Install or locate this appliance only in accordance with these installation instructions and the requirements specified by the manufacturer of the cooktop or range. Improper installation, adjustment, alteration, service or maintenance can cause serious personal injury or property damage.
- The customer should not install, repair or replace any part of the range hood unless specifically recommended in the literature accompanying it. A qualified service technician should perform all other service. Contact the nearest Dacor authorized service representative at (800) 793-0093, or at www.Dacor.com for examination, repair or adjustment.
- Keep all packaging materials away from children. Plastic bags can cause suffocation.
- Do not use an extension cord or adapter plug with this appliance.
- The installer must show the customer the location of the fuse box or circuit breaker panel box so that the customer knows where and how to turn the power off.
- Before installing or servicing the range hood, switch power off at the fuse box circuit breaker and lock the electrical panel door to prevent power from being switched on accidentally. When the electrical panel cannot be locked, securely fasten a prominent warning device, such as a tag, to the electrical panel.
- Read the use and care manual completely before using the appliance. Clean the appliance only as instructed in the use and care manual. Use only the cleaners specified.
- Do not tamper with the controls.
- Never allow the filter(s) to become blocked or clogged. Do not allow foreign objects, such as cigarettes or napkins, to be sucked into the hood.
- Clean the filter(s) and all grease-laden surfaces often to prevent grease fires and maintain performance.
- If the cooktop and range hood are near a window, use an appropriate window treatment. Avoid long drapes or other window coverings that could blow over the cooktop and hood, resulting in a fire hazard.
- Always run the fan(s) whenever the cooktop is operating.
- Never leave the range or cooktop unattended when a burner (or element) is in use. Boil-overs and greasy spills may smoke and/or ignite.
- Do not leave children alone or unattended in the area where the cooktop and range hood are in use. Never allow children to sit or stand on an appliance. Do not let children play with a range, cooktop or range hood. Do not store items of interest to children above or around the cooktop, range or range hood.
- The minimum vertical distance between the cooktop surface and the exterior part of the hood must be no less than 25" (63.5 cm). The vertical distance may be longer for the range or cooktop being used. Consult the range or cooktop installation instructions for the minimum and maximum vertical distance from the appliance being used.
- **TO REDUCE THE RISK OF FIRE, USE ONLY METAL DUCTWORK.**

Product Specifications

General Specifications

All Models

Fan Speeds	4
Filters	Mesh type, dishwasher safe
Exhaust(s)	8-inch
Total Connect Load	120 Vac, 60 Hz, 9 Amp. Max. (10.0 Amp Max. surge)
Lights	120 Vac, 75 W halogen

Model Specific

	Model Number		
	EH48, MH48 EH54	EH42	EH30, MH30 EH36, MH36
Lights	3	2	2
Filters	4	3	2
Exhaust Outputs	2	1	1
Fan Rating	1200 CFM	600 CFM	600 CFM

Weight Specifications

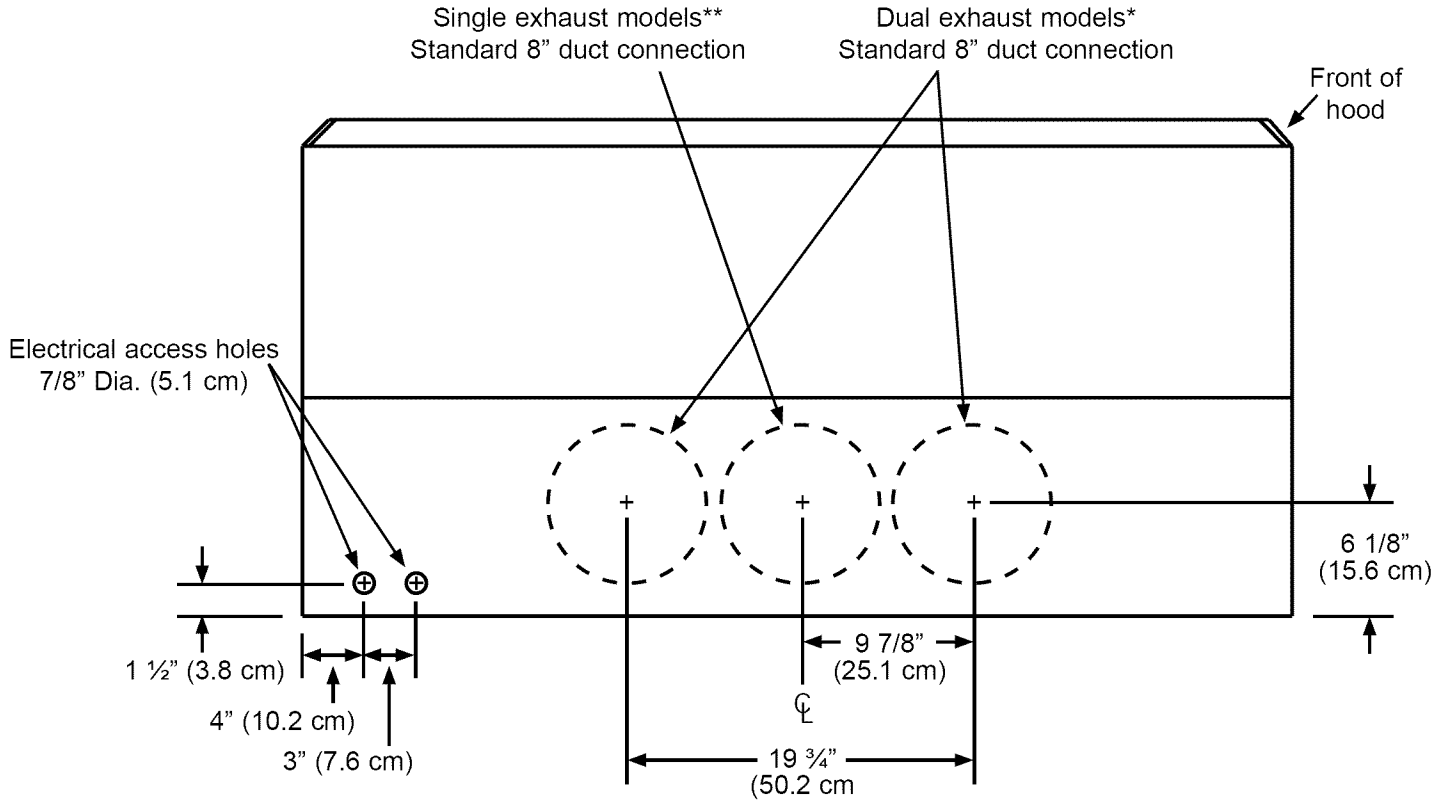
Model	Weight
EH3012, MH3012	48 lbs. (22 kg)
EH3018, MH3018, EH3612, MH3612	53 lbs. (24 kg)
EH3618, MH3618	57 lbs. (26 kg)
EH4212	55 lbs. (25 kg)
EH4218	60 lbs. (27 kg)
EH4812, MH4812	70 lbs. (32 kg)
EH4818, MH4818	77 lbs. (35 kg)
EH5418	84 lbs. (38 kg)

Product Specifications

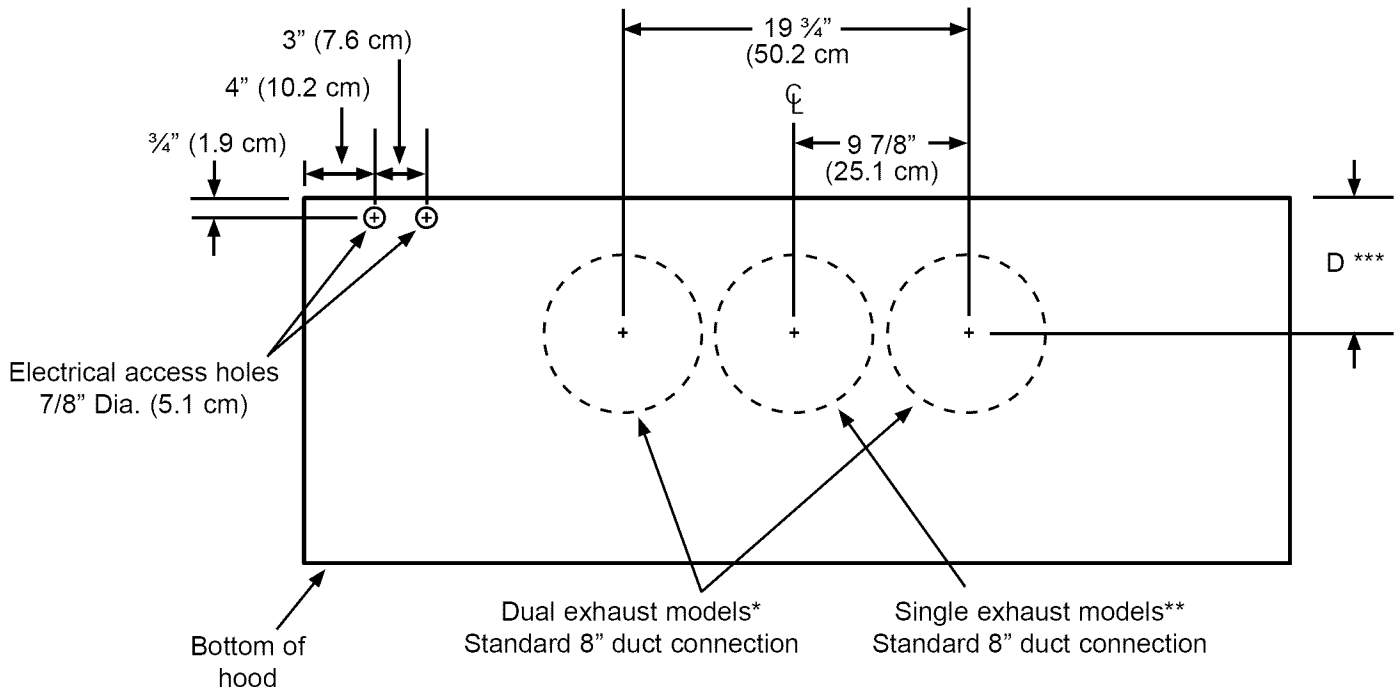
Dimensions

Tolerances: +1/16", -0 (1.6 mm, -0), unless otherwise stated.

NOTE: The exhaust duct(s) and electrical wiring can be connected from either the top or the back of the hood.



Top Dimensions



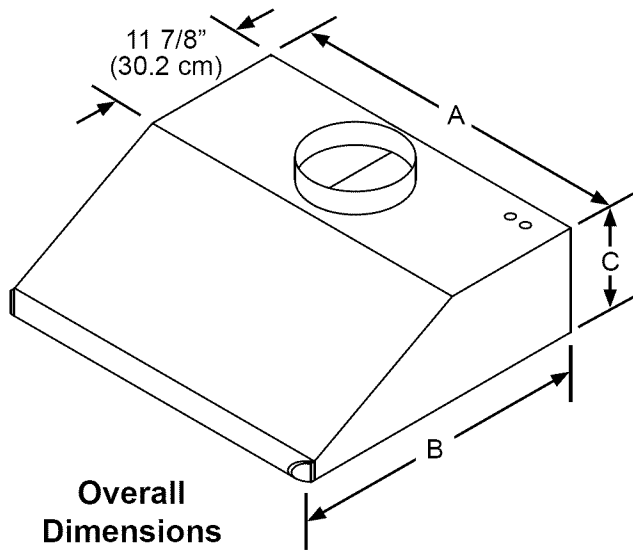
Back Dimensions

* Models EH48, MH48, EH54

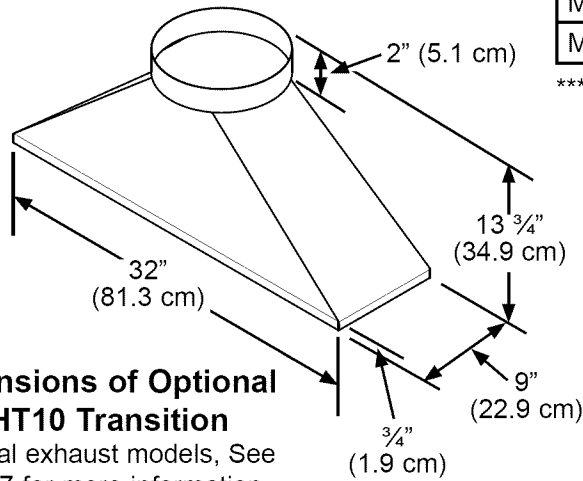
** All other models

*** See facing page

Product Specifications



Overall Dimensions



Dimensions of Optional AHT10 Transition

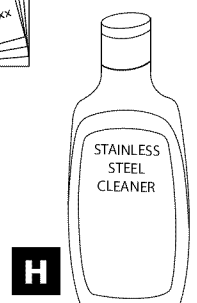
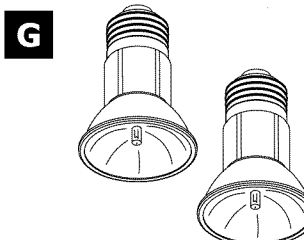
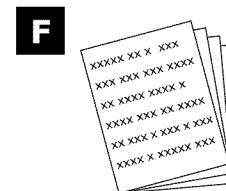
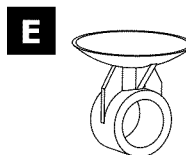
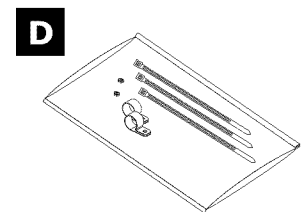
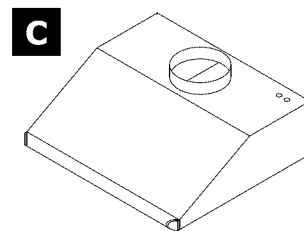
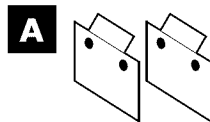
For dual exhaust models, See page 7 for more information

OVERALL DIMENSIONS				
Model	A	B	C	D***
EH3012	29 7/8" (75.9 cm)	26 7/8" (68.3 cm)	12 3/8" (31.4 cm)	4 1/2" (11.4 cm)
EH3612	35 7/8" (91.1 cm)			
EH4212	41 7/8" (106.4 cm)			
EH4812	47 7/8" (121.6 cm)			
MH3012	29 7/8" (75.9 cm)	25 1/2" (64.8 cm)		
MH3612	35 7/8" (91.1 cm)			
MH4812	47 7/8" (121.6 cm)			
EH3018	29 7/8" (75.9 cm)	26 7/8" (68.3 cm)	18" (45.7 cm)	6 1/8" (15.6 cm)
EH3618	35 7/8" (91.1 cm)			
EH4218	41 7/8" (106.4 cm)			
EH4818	47 7/8" (121.6 cm)			
EH5418	53 7/8" (136.8 cm)	25 1/2" (64.8 cm)		
MH3018	29 7/8" (75.9 cm)			
MH3618	35 7/8" (91.1 cm)			
MH4818	47 7/8" (121.6 cm)			

*** See diagram on facing page.

Parts List

- A** 2 temporary mounting brackets
- B** Temporary mounting hardware
- C** Hood assembly with filters (size and style varies with model)
- D** Blower mounting hardware (used only for installations requiring rear exhaust configuration)
- E** Light replacement tool
- F** Literature
- G** Light bulbs (quantity varies with model)
- H** Dacor Stainless Steel Cleaner



Planning the Installation

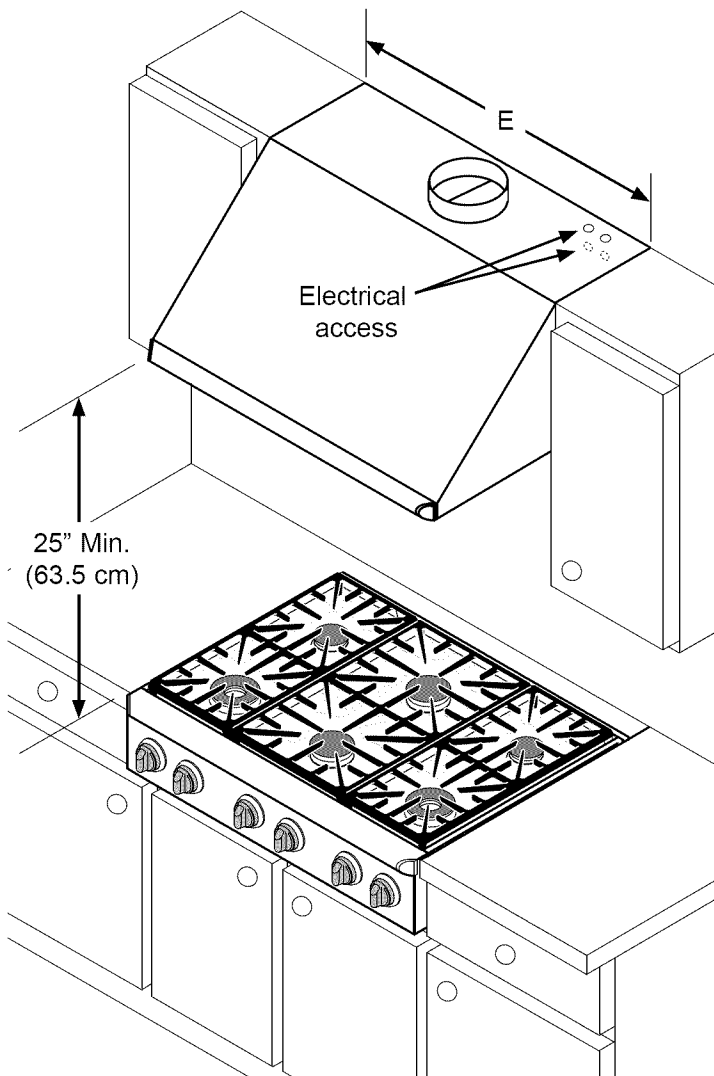
WARNING

Observe all governing codes and ordinances during planning and installation. Contact your local building department for further information.

Cabinet Layout

WARNING

To reduce the risk of personal injury caused by reaching over a hot appliance, cabinet storage space located directly above the range should be avoided.



IMPORTANT

See the diagram for minimum installed distance from the hood to the cooktop surface. The minimum specified distance may be higher for the particular range or cooktop in use. Check the manufacturers specifications for the cooktop or range.

- Carefully check the location where the hood is to be installed. The hood should be placed for convenient access. Make certain that electric power can be provided in the selected location. The hood must be centered horizontally over the cooktop/range.
- The hood model selected must be as wide as the cooktop surface or wider.
- Plan the installation so that all minimum dimensions are met or exceeded. Dimensions shown provide minimum clearances, unless otherwise noted.
- All contact surfaces between the hood and any cabinets or walls must be solid and at right angles.
- Install the range hood and cooking appliance(s) so that they can be removed if service is required.

Power Supply

WARNING

The electric service to the range hood should be installed only by a licensed electrician.

It is the owner's responsibility to ensure that the electrical connection of this appliance is performed by a qualified electrician. The electrical installation, including minimum supply wire size and grounding, must be in accordance with the National Electric code ANSI/NFPA* (or latest revision) and local codes and ordinances.

*A copy of this standard may be obtained from:

National Fire Protection Association
1 Batterymarch Park
Quincy, Massachusetts 02269-9101

- The ground terminal on the hood must be connected to a grounded, metallic, permanent wiring system or grounding conductor installed by a licensed electrician.
- Do not ground the appliance or appliance wiring to a gas pipeline or to the neutral (white) power supply wire.
- Do not install a fuse in the neutral or ground circuit.
- Connect the hood directly to an electrical junction box. Hard-wire the hood according to local code directly to a dedicated three wire grounded, single phase circuit rated at 120 Vac 60 Hz, 15 Amp.

MINIMUM CABINET WIDTH

Models	E
EH3012, EH3018, MH3012, MH3018	30" (76.2 cm)
EH3612, EH3618, MH3612, MH3618	36" (91.5 cm)
EH4212, EH4218	42" (106.7 cm)
EH4812, EH4818, MH4812, MH4818	48" (121.9 cm)
EH5418	54" (137.2 cm)

All tolerances: +1/16", -0, unless otherwise stated

Planning the Installation

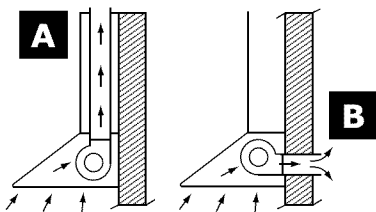
WARNING

- To prevent combustion by-products, smoke or odors from entering the home and to improve efficiency, tape all duct joints securely.
- Use only duct work deemed acceptable by state, municipal and local codes.
- Range hoods may interrupt the proper flow of smoke and combustion gases from furnaces, gas water heaters and fireplaces. To avoid drawing lethal gases into the home, follow the manufacturer's recommendation for these devices and consult NFPA and ASHRAE recommendations.
- Failure to install a remote blower or proper duct work may result in a back draft and/or the insufficient venting of smoke and fumes.
- DO NOT** install an additional in-line or external blower to increase the length of the duct run. Even small differences between blower air flow rates can greatly reduce the air draw by the hood.

CAUTION

To reduce the risk of fire and to properly exhaust air, be sure to duct air outside the house or building. Do not vent exhaust air into spaces within walls or ceilings or into attics, crawl spaces or garages.

- All duct work materials (including screws and duct tape) must be purchased separately by the customer. When planning new duct work, always look for the shortest, most direct route to the outside. The blower assembly can be rotated to accommodate venting (and wiring) through the top **A** or the back **B**.



- The hood exhaust connects to an 8-inch round duct. You can increase the duct size over the duct run if desired. To prevent a back draft, never decrease the duct size over the run. If existing duct work is smaller than 8 inches in diameter, remove it and replace it with 8-inch duct work.
- Do not rely on tape alone to seal duct joints. Fasten all connections with sheet metal screws and tape all joints with certified silver tape or duct tape. Use sheet metal screws as required to support the duct weight.
- To prevent back-drafts, a damper at the duct outlet may also be required.
- Make sure duct work does not interfere with floor joists or wall studs.

- On dual exhaust models, the two 8" exhausts may be merged into one 10" duct using Dacor transition kit AHT10. See page 16 for details.

Calculating the Maximum Duct Run Length

The maximum straight duct length for the hood is determined by the type of duct used. See the chart below.

DUCT SIZE	MAXIMUM DUCT RUN
8" round	60 feet
10" round	50 feet
3¼" X 10" rectangular	50 feet

For each elbow and transition added to the duct work, a certain number of feet must be subtracted from the maximum duct run to compensate for wind resistance. To determine the length the duct work cannot exceed, subtract all of the equivalent lengths of the elbows and transitions listed below from the maximum duct run above.

Duct Work Equivalent Lengths

EQUIVALENT LENGTHS			
Piece	Subtract	Piece	Subtract
8" 90° elbow	7 feet	10" 90° elbow	5 feet
8" 45° elbow	3 feet	10" 45° elbow	2 feet
3¼" X 10" to round 90° transition	25 feet	3¼" X 10" to 8"/10" round transition	4 feet
Roof cap	*	Wall cap with damper	*

* The equivalent lengths of roof and wall caps vary with model and configuration. For equivalent length, contact the manufacturer or a qualified HVAC specialist.

Duct Work Design Tips

Wherever possible, reduce the number of transitions and turns to as few sharp angles as possible. Two staggered 45° angles are better than one 90°.

Keep turns as far away from the hood exhaust as possible, and as much space between bends as possible.

For best performance, use round duct instead of rectangular, especially when elbows are required.

If multiple elbows are used, try to keep a minimum of 24" straight duct between them.

Avoid "S" or "back to back" use of adjacent elbows.

In regions where the weather gets extremely cold, use thermal breaks, such as a short section of non-metallic duct, to avoid indoor heat loss. Locate the break as close as possible to the outside pass through point.

Do not use flexible metal duct.

Do not use duct work that is smaller in cross-sectional area than the recommended types above.

Preparing for Installation

Verify the Package Contents

Unpack the parts box and verify that all parts have been included according to the parts list on page 5. If any item is missing or damaged, please contact the dealer immediately. Do not install a damaged or incomplete appliance.

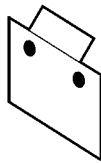
Make sure you have everything necessary for proper installation before proceeding.

Mounting Location Preparation

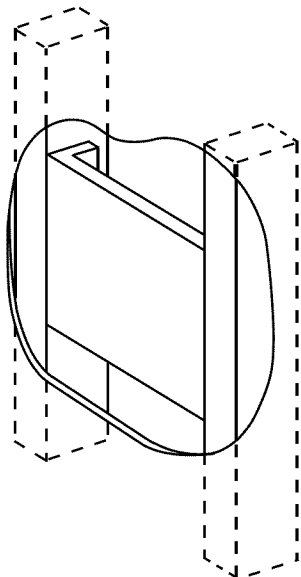
WARNING

- The electrical service to the range hood should be installed only by a licensed electrician.
- Observe all governing codes and ordinances during site preparation and installation. Contact your local building department for further information.
- Failure to properly anchor the hood to the wall may result in personal injury due to the unit falling off the wall.
- To avoid an electric shock hazard and property damage, locate electric wires and water pipes and avoid drilling or cutting in the vicinity.
- Use the temporary mounting brackets only to hold the hood in place until permanent anchoring is installed.

- Temporary mounting brackets, and the screws and anchors to hold them in place during installation are provided with the hood. Two anchors and screws are used per bracket.
- Determine the number, size and type of anchors required to attach the hood permanently to the wall and/or the cabinets based on the type of installation and the weight chart on page 3.



- Make sure the mounting surface is properly reinforced to handle the full weight of the hood. If mounting the unit to a drywall or plastered surface, install a reinforced mounting block between the studs behind all hood mounting locations. You may attach screws directly to the studs and cabinets if they line up with the mounting holes in the back and top of the hood. If mounting the hood to brick or masonry, select anchors capable of holding the full weight of the hood.



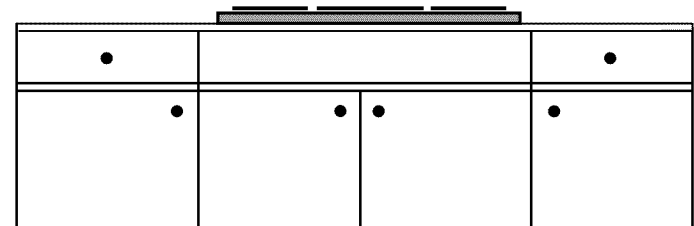
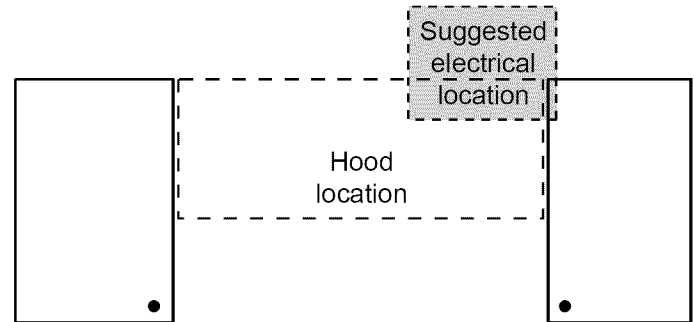
Electrical Service Installation

WARNING

The electric service to the range hood should be installed only by a licensed electrician.

Install a junction box in the vicinity of the hood electrical access holes according to local codes. Install it either behind or above the hood. The diagram below shows suggested locations.

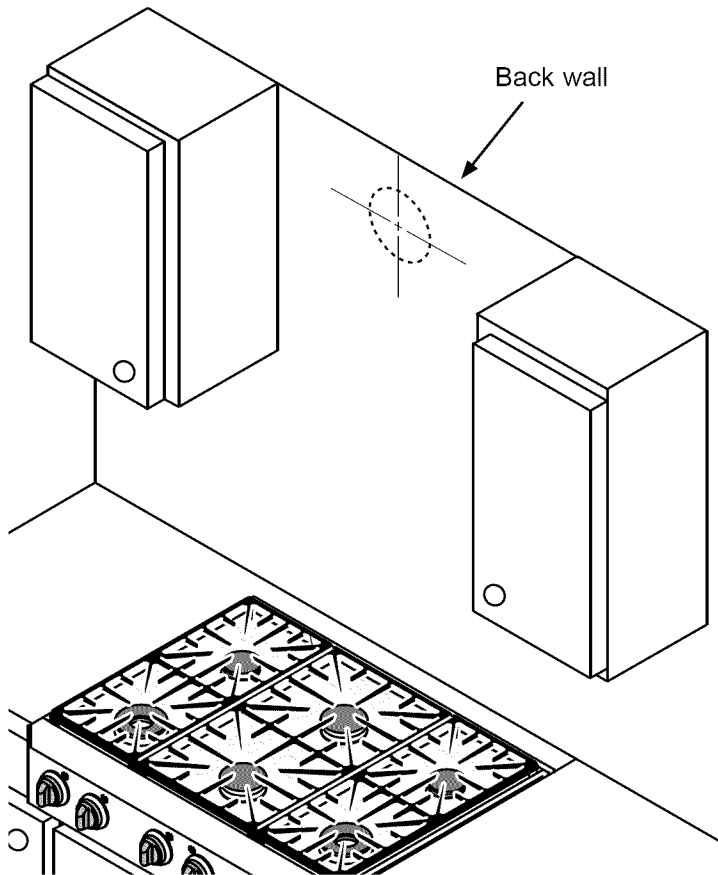
Drill 7/8" holes in the wall or cabinet as necessary to allow the wiring to pass through into the hood. See page 4 for hole locations.



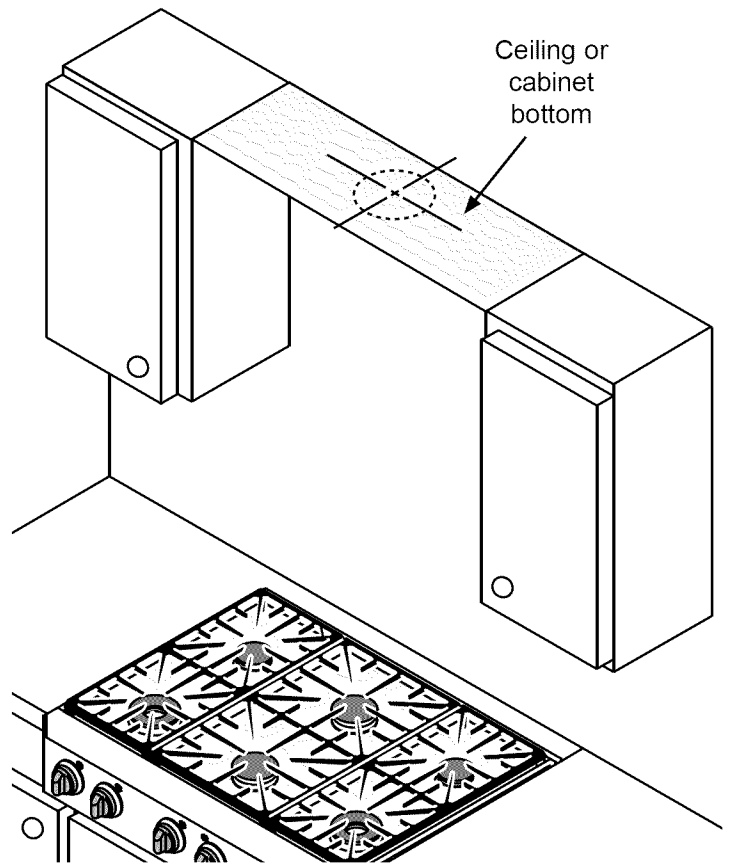
Duct Cutout

1. Using a pencil, draw the vertical center line for the range hood on the wall. Extend the line down 10" (25.4 cm) from where the top of the hood will be located. The center line for the hood is usually halfway between the cabinets at the installation location or the same as the center line of the cooktop or range. The line will be used to line up the mounting brackets during installation.
2. Locate the center lines for the duct cutout(s) according to the dimensions on page 4. For installations venting through the top of the hood, use the top dimensions to locate the center lines on the ceiling or cabinet bottom. For installations venting through the back of the hood, use the back dimensions to locate the center lines on the back wall. See the diagrams on the right.
3. Cut a hole for the duct to pass through 11" (28 cm) in diameter. Center it on the center lines. Dual exhaust models require two (2) holes.

Preparing for Installation



Duct Cut-Out for Rear Venting



Duct Cut-Out for Top Venting

Installation Instructions

WARNING

- Do not install the range hood unless the electrical service provided meets the range hood specifications.
- Observe all governing codes and ordinances during installation. Contact your local building department for further information.
- A qualified technician must complete the installation of this built-in appliance. More than one person is required to raise the hood into place. The owner is responsible to make sure the hood is properly installed.

1. Start by removing the filters from the bottom of the hood. Put them in a safe location so that they will not be damaged.
2. If the hood will be installed in a top exhaust configuration, skip to page 16. If the hood will be installed so that air will exhaust out of the back, the blowers must be rotated into the correct position before hanging the hood. The procedure for rotating the blower depends on the hood model number. See the table at the right.

Blower Rotation Instructions

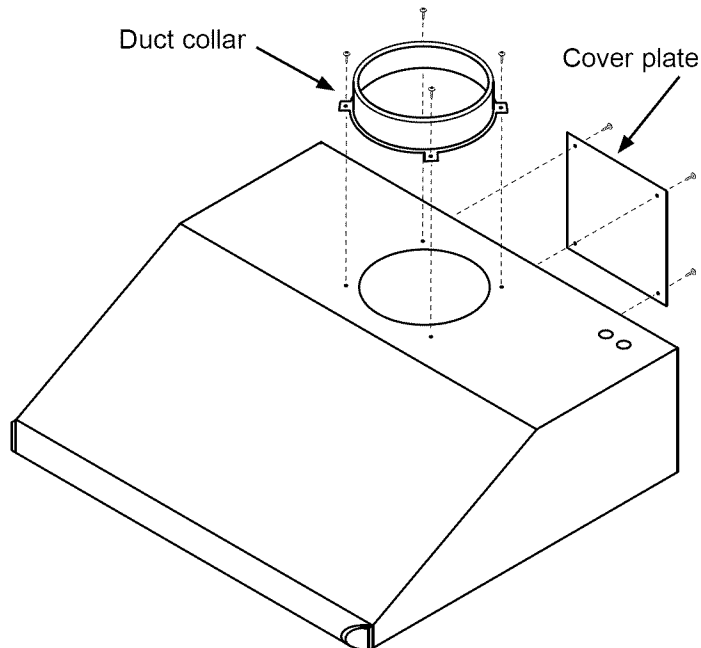
MODEL	SEE PAGE
EH3012, MH3012, EH3612, MH3612, EH4212	10
EH4812, MH4812	11
EH3018, MH3018, EH3618, MH3618, EH4218	13
EH4818, MH4818, EH5418	15

Installation Instructions

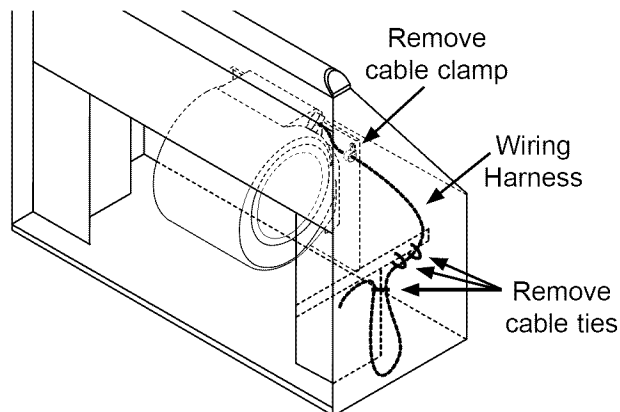
Rotating the Blower for Models:

EH3012, MH3012, EH3612, MH3612 and EH4212 (Models that are 12 inches high equipped with a single blower)

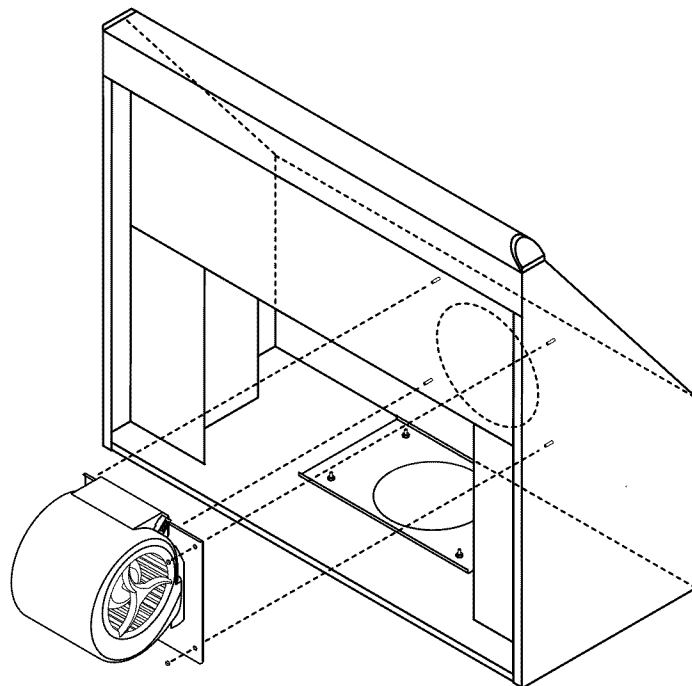
1. Place the hood assembly on a large flat surface.
2. Remove and save the four (4) screws and the duct collar from the top of the unit. See below.
3. Remove and save the four (4) screws and the cover plate that covers the hole on the back of the hood.



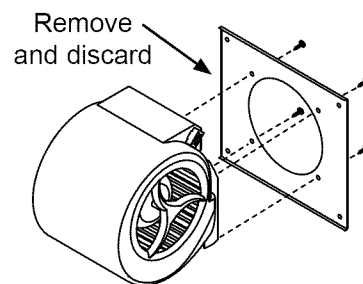
4. Tip the hood back, so that it lays on its back with the front pointing up.
5. Remove the filters from the under side of the hood.
6. Locate the wiring harness. Cut the cable tie that takes up the slack in the cable. It is located behind the panel on the right side inside the hood. Also cut the two (2) cable ties that hold the wiring harness to the brace inside the hood, on the right side. See below.
7. Remove and save the nut that holds the wiring harness cable clamp in place. Remove and save the clamp.



8. Disconnect the wiring harness connector from the blower motor.
9. While supporting the blower from below, remove the four (4) nuts that hold the blower and mounting plate in place. Remove the blower from the hood.

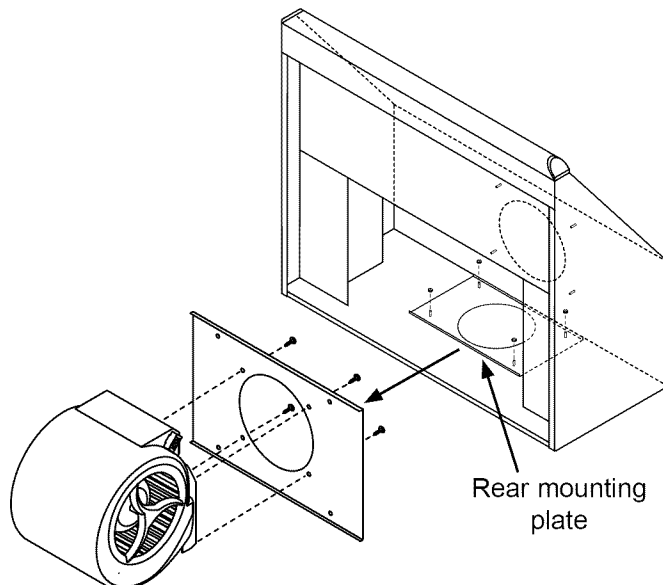


10. Remove and discard the mounting plate attached to the blower motor.



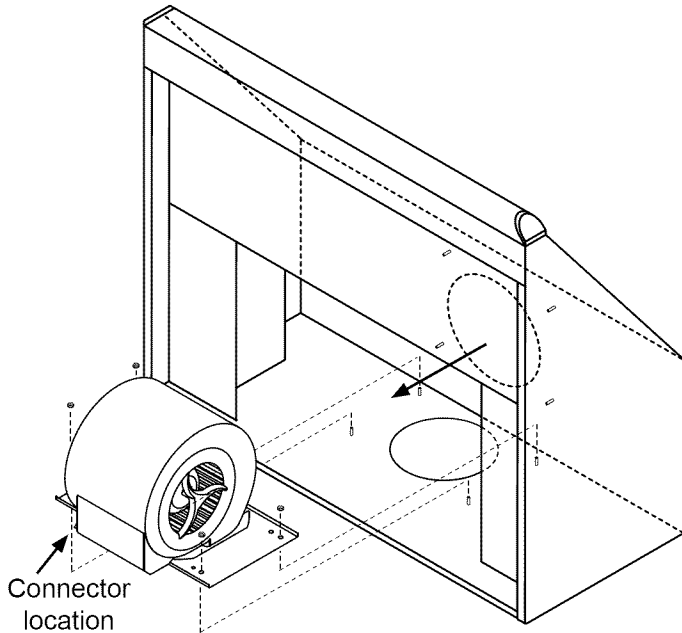
11. Remove the four (4) nuts that hold the rear mounting plate in place and remove it. See below.

12. Attach the mounting plate removed in step 11 (rear mounting plate) to the blower motor.

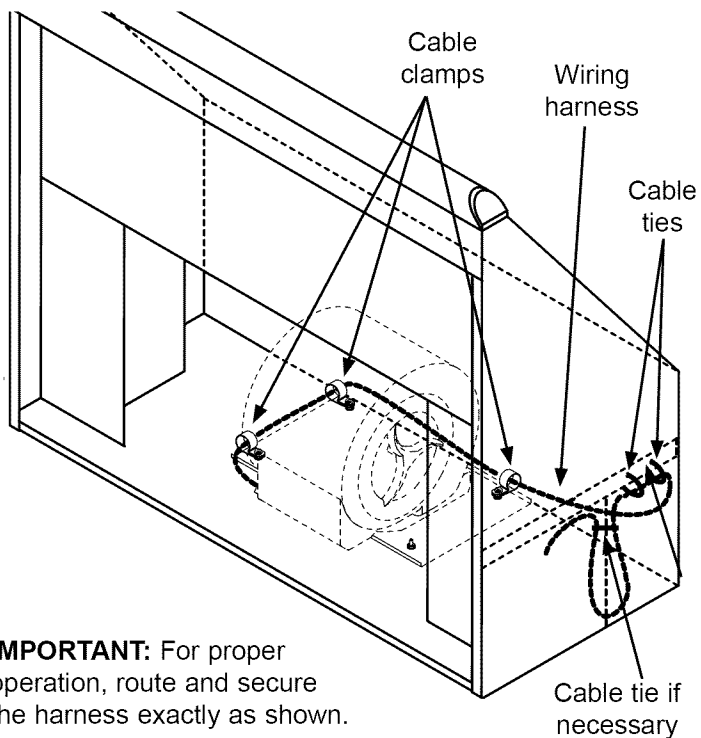


Installation Instructions

13. Insert the opening on the blower motor assembly into the hole inside the back of the hood. The connector on the motor must be toward the bottom of the hood. Attach it using four (4) nuts.

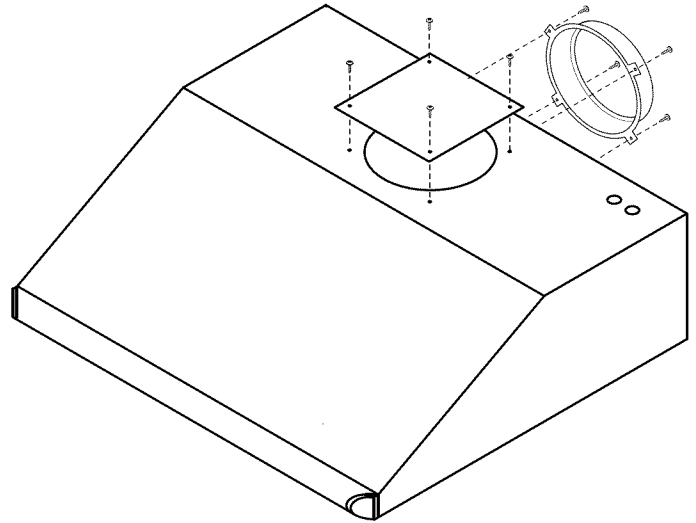


14. Route the wiring harness as shown. Secure the harness to the motor assembly with the cable clamps supplied with the hood in the positions shown below.
15. Attach the wiring harness to the brace inside the hood, on the right side using two (2) supplied cable ties.
16. Use a cable tie to take up any remaining slack that may exist in the wiring harness. Stow the harness behind the plate on the right side. Securing any slack will reduce additional noise due to vibration.



IMPORTANT: For proper operation, route and secure the harness exactly as shown.

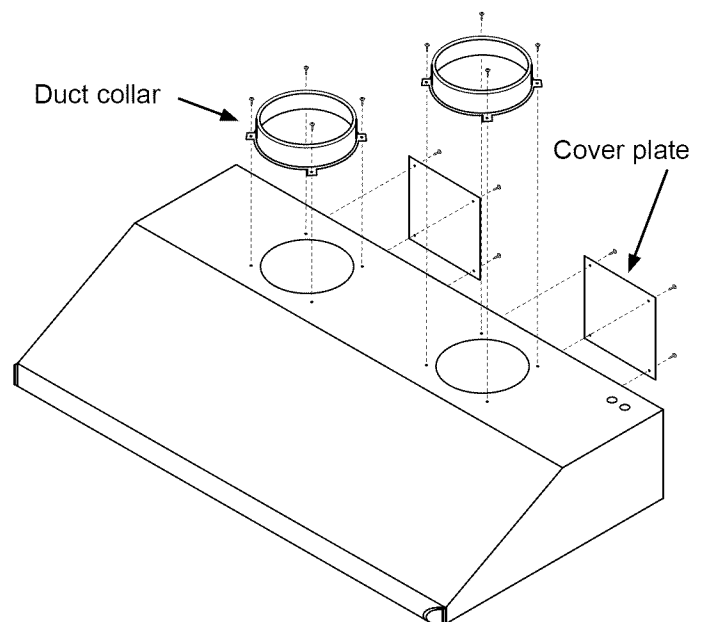
17. Tip the hood back down so that the top of the hood faces up. Using existing screws, attach the cover plate removed in step 3 to the top of the hood to cover the hole.
18. Attach the duct collar removed in step 2 to the back of the unit using four (4) existing screws.



Rotating the Blower for Models:

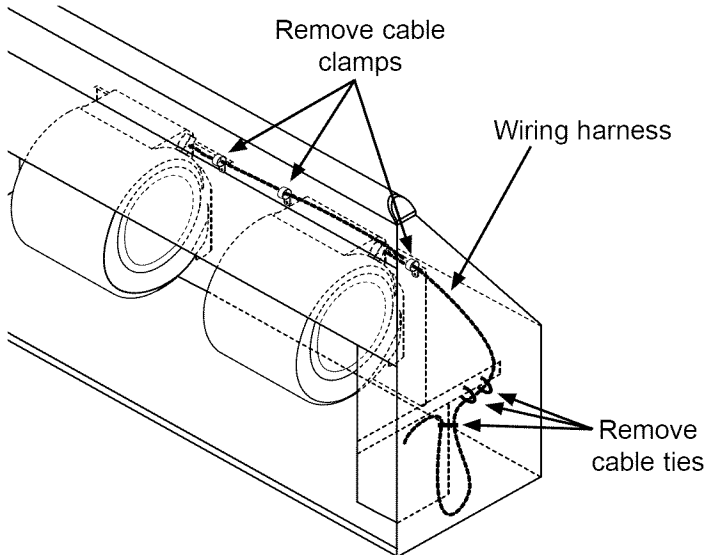
EH4812 and MH4812 (Models that are 12 inches high equipped with two blowers.)

1. Place the hood assembly on a large flat surface.
2. Remove and save the screws and the two (2) duct collars from the top of the unit. See below.
3. Remove and save the screws and the two (2) cover plates that cover the holes on the back of the hood.

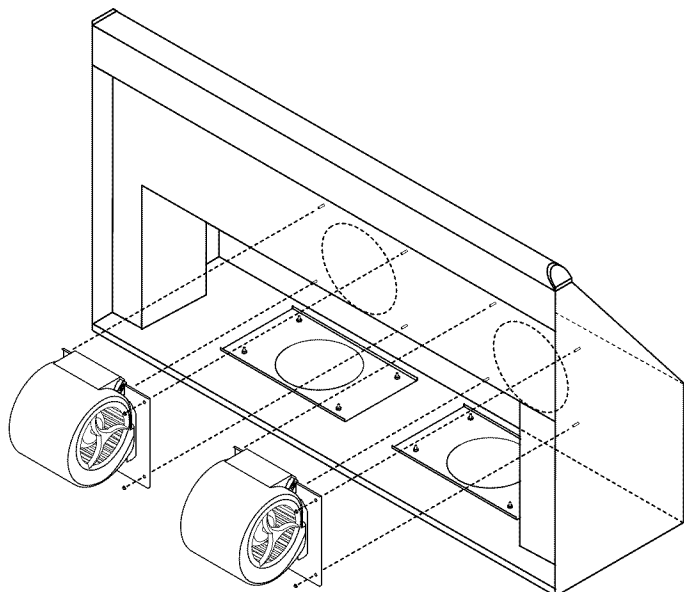


Installation Instructions

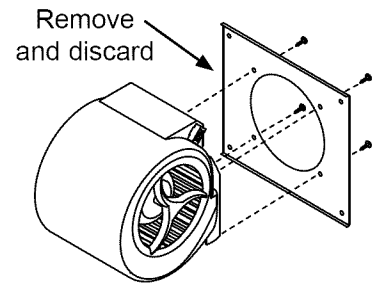
4. Tip the hood back, so that it lays on its back with the front pointing up.
5. Remove the filters from the under side of the hood.
6. Locate the wiring harness. Cut the cable tie that takes up the slack in the cable. It is located behind the panel on the right side inside the hood. Also cut the two (2) cable ties that hold the wiring harness to the brace inside the hood, on the right side. See below.
7. Remove and save all the nuts that hold the wiring harness cable clamps in place. Remove and save the clamps.



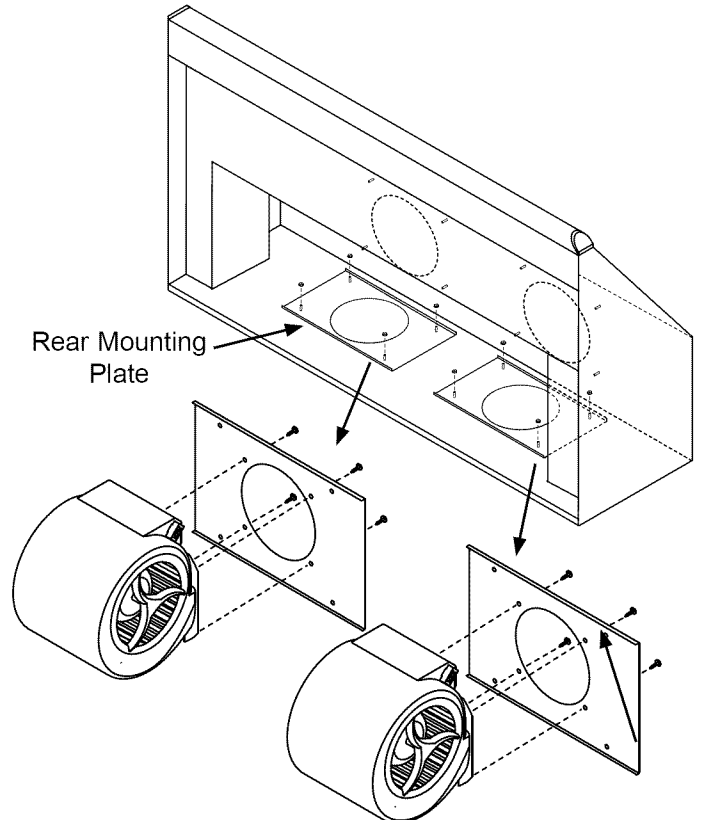
8. Disconnect both wiring harness connectors from the blower motors.
9. While supporting each blower from below, remove the four (4) nuts that hold the blower and mounting plates in place. Remove both blowers from the hood.



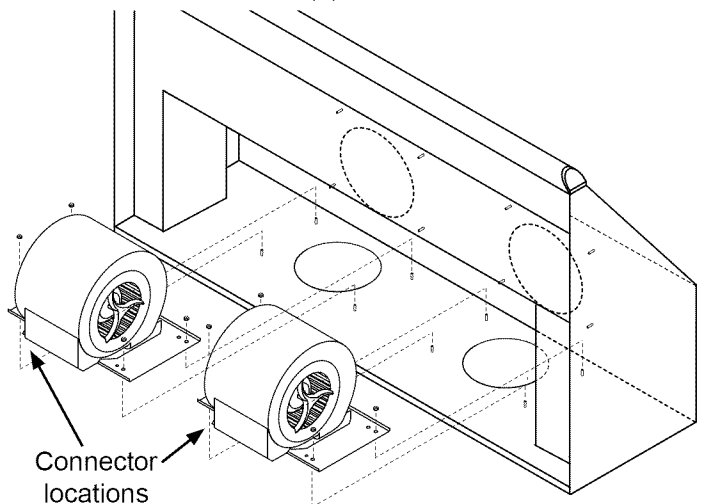
10. Remove and discard the mounting plates attached to both blower motors.
11. Remove the nuts that hold the rear mounting plates in place and remove. See below.



12. Attach the mounting plates removed in step 11 (rear mounting plate) to the blower motors.

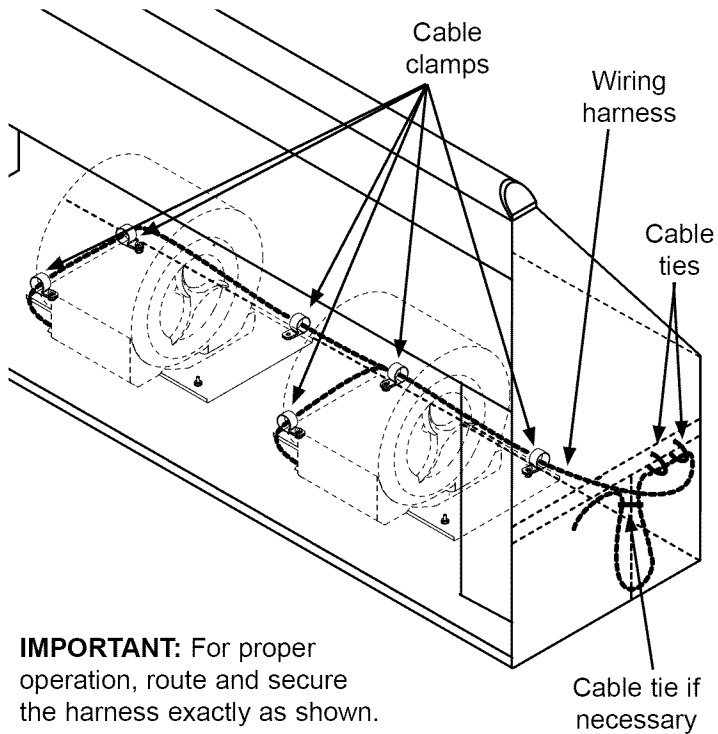


13. Insert the opening of each blower motor assembly into the holes inside the back of the hood. The connector on the motors must be toward the bottom of the hood. Attach them with four (4) nuts each.



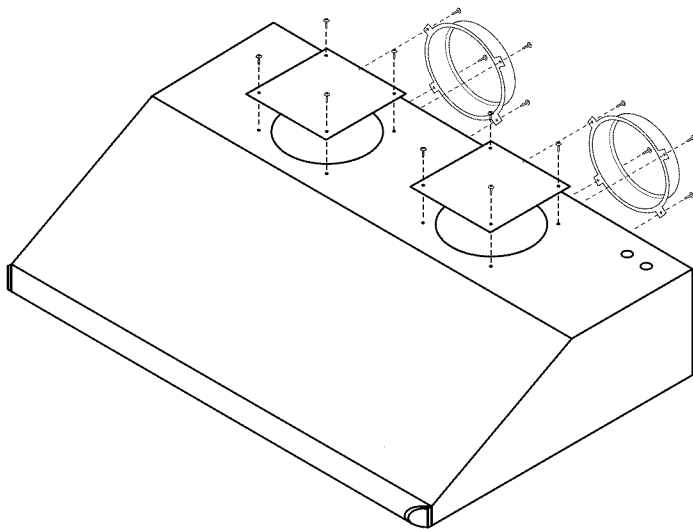
Installation Instructions

14. Route the wiring harness as shown below. Secure the harness to the motor assemblies using the cable clamps supplied with the hood in the positions shown.
15. Attach the wiring harness to the brace inside the hood, on the right side using two (2) supplied cable ties.
16. Use a cable tie to take up any remaining slack that may exist in the wiring harness. Stow the harness behind the plate on the right side. Securing any slack will reduce additional noise due to vibration.



IMPORTANT: For proper operation, route and secure the harness exactly as shown.

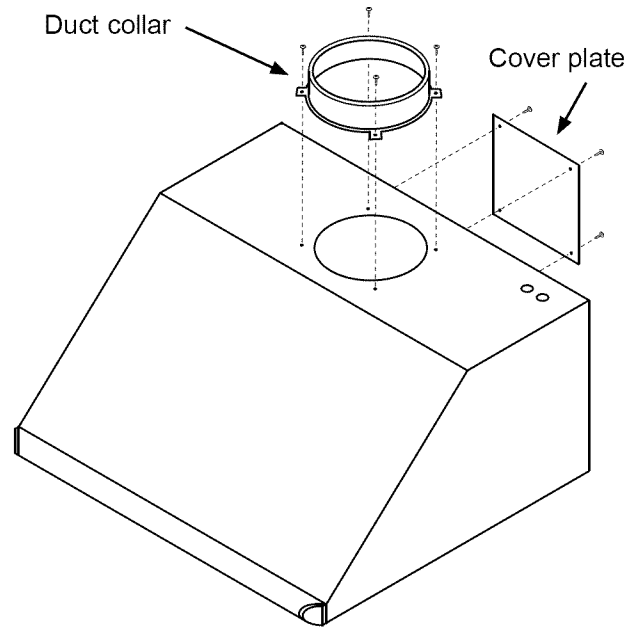
17. Tip the hood back down so that the top of the hood faces up. Using existing screws, attach the cover plates removed in step 3 to the top of the hood to cover the holes.
18. Attach the duct collars removed in step 2 to the back of the unit using the existing screws.



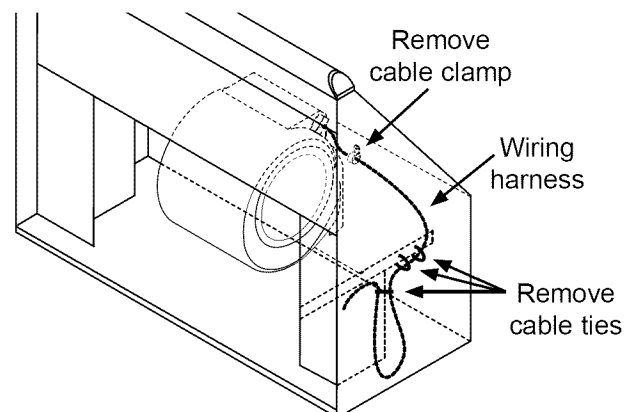
Rotating the Blower for Models:

EH3018, MH3018, EH3618, MH3618, EH4218 (Models that are 18 inches high equipped with a single blower)

1. Place the hood assembly on a large flat surface.
2. Remove and save the four (4) screws and the duct collar from the top of the unit.
3. Remove and save the four (4) screws and the cover plate that covers the hole on the back of the hood.

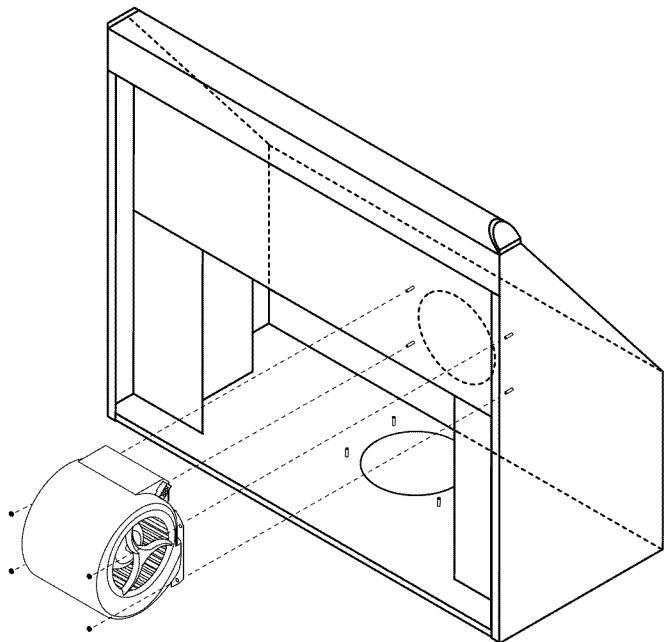


4. Tip the hood back, so that it lays on its back with the front pointing up.
5. Remove the filters from the under side of the hood.
6. Locate the wiring harness. Cut the cable tie that takes up the slack in the cable. It is located behind the panel on the right side inside the hood. Also cut the two (2) cable ties that hold the wiring harness to the brace inside the hood, on the right side.
7. Remove and save the nut that holds the wiring harness cable clamp in place. Remove and save the clamp.

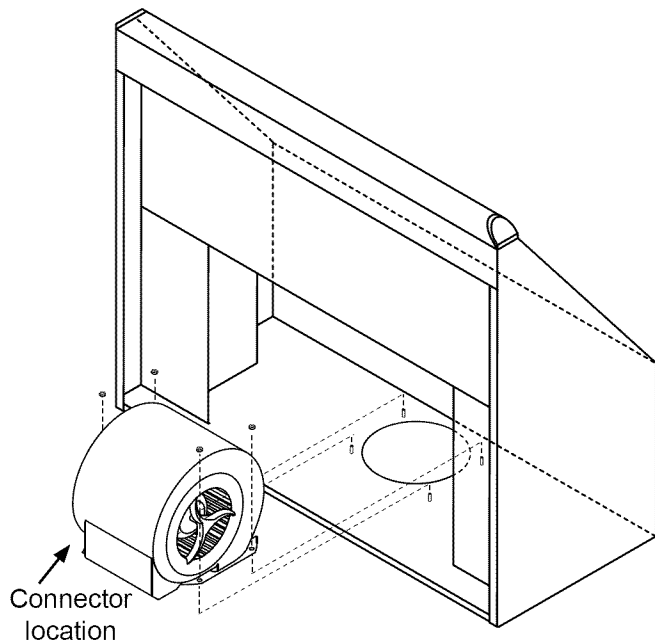


Installation Instructions

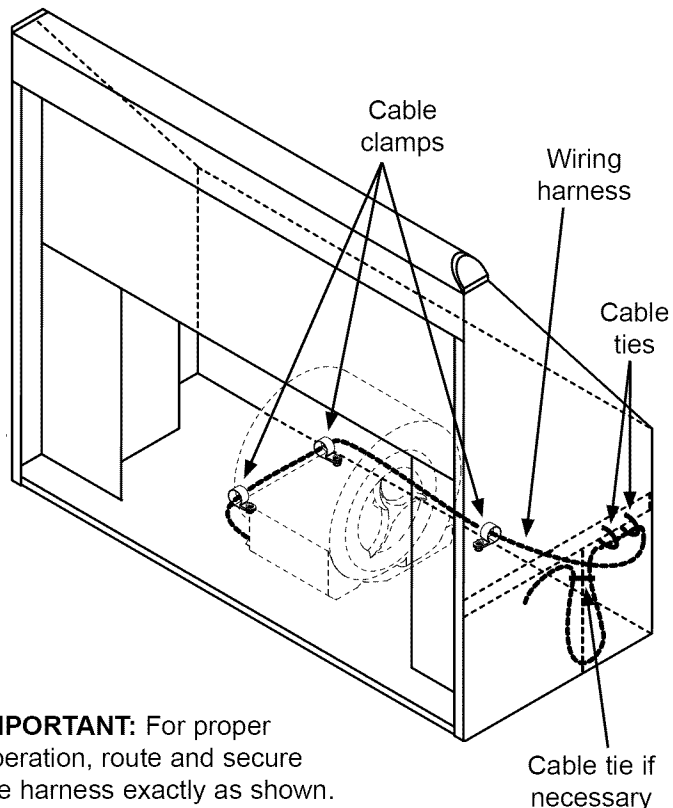
8. Disconnect the wiring harness connector from the blower motor.
9. While supporting the blower from below, remove the four (4) nuts that hold the blower in place. Remove the blower from the hood.



10. Insert the opening on the blower motor into the hole inside the back of the hood. The connector on the motor must be toward the bottom of the hood. Attach it using four (4) nuts.

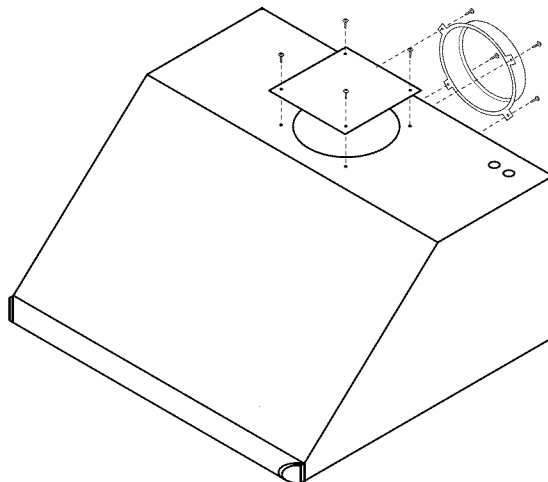


11. Route the wiring harness as shown. Secure the harness to the motor assembly with the cable clamps supplied with the hood in the positions shown below.
12. Attach the wiring harness to the brace inside the hood on the right side using two (2) supplied cable ties.
13. Use a cable tie to take up any remaining slack that may exist in the wiring harness. Stow the harness behind the plate on the right side. Securing any slack will reduce additional noise due to vibration.



IMPORTANT: For proper operation, route and secure the harness exactly as shown.

14. Tip the hood back down so that the top of the hood faces up. Using four (4) existing screws, attach the cover plate removed in step 3 to the top of the hood to cover the hole.
15. Attach the duct collar removed in step 2 to the back of the unit using the four (4) existing screws.

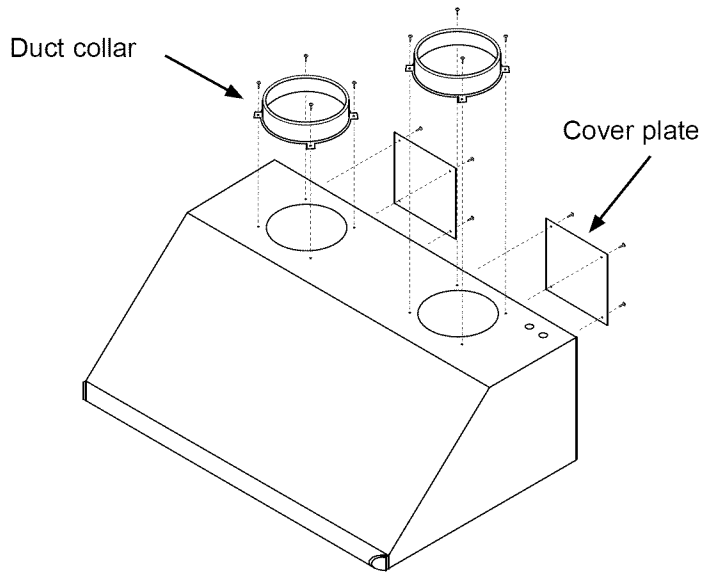


Installation Instructions

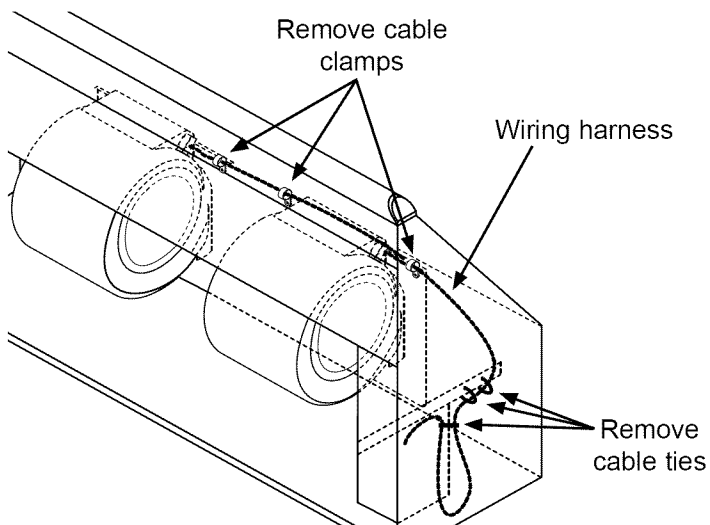
Rotating the Blower for Models:

EH4818, MH4818 and EH5418 (Models that are 18 inches high equipped with two blowers.

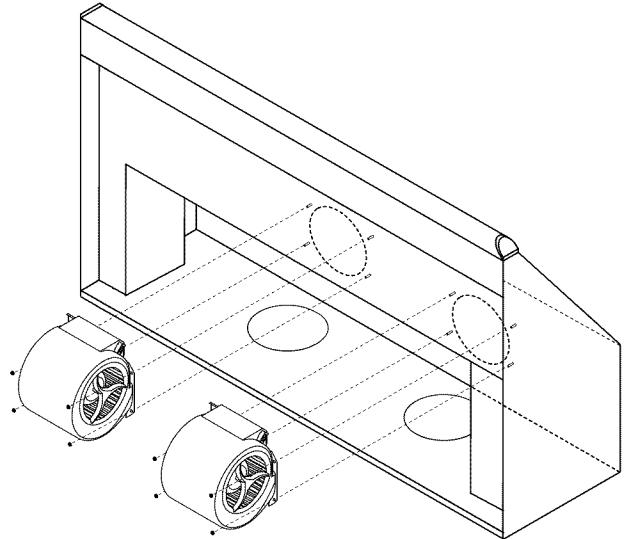
1. Place the hood assembly on a large flat surface.
2. Remove and save the screws and the two (2) duct collars from the top of the unit.
3. Remove and save the screws and the two (2) cover plates that cover the holes on the back of the hood.



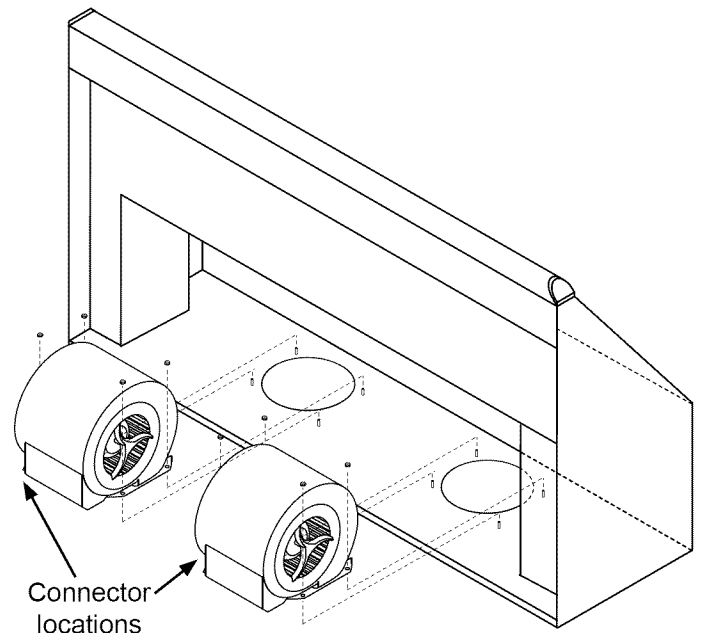
4. Tip the hood back, so that it lays on its back with the front pointing up.
5. Remove the filters from the under side of the hood.
6. Locate the wiring harness. Cut the cable tie that takes up the slack in the cable. It is located behind the panel on the right side, inside the hood. Also cut the two (2) cable ties that hold the wiring harness to the brace inside the hood, on the right side.
7. Remove and save all the nuts that hold the wiring harness cable clamps in place. Remove and save the clamps.



8. Disconnect both wiring harness connectors from the blower motors.
9. While supporting each blower from below, remove the four (4) nuts that hold each blower in place. Remove both blowers from the hood.

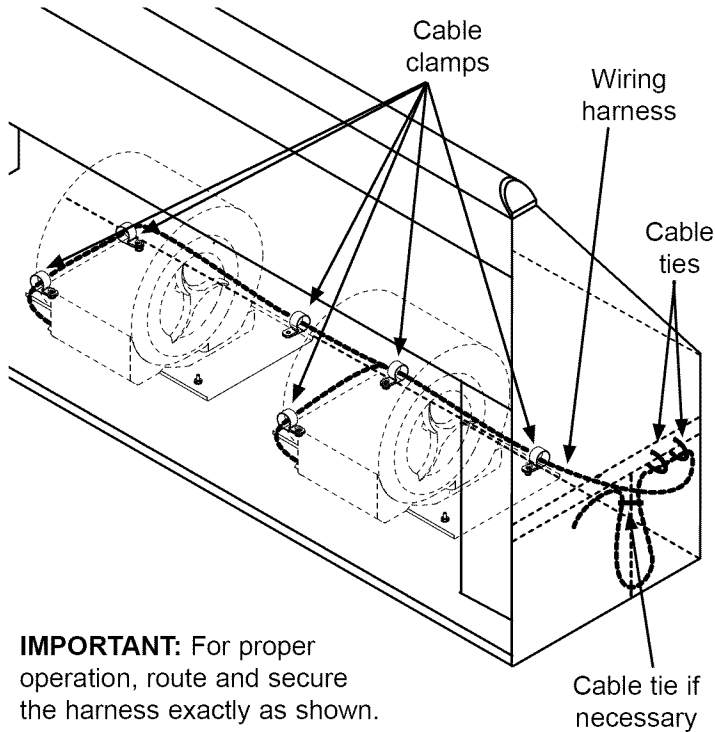


10. Insert the opening of each blower motor into the holes inside the back of the hood. The connector on the motors must be toward the bottom of the hood. Attach them with four (4) nuts each.



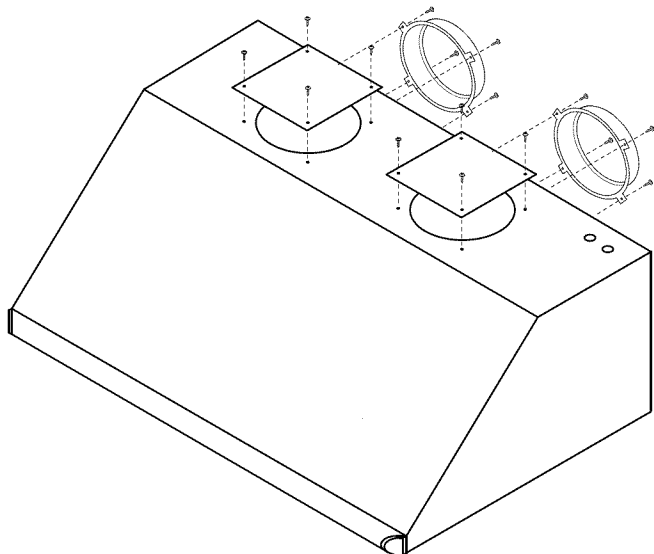
Installation Instructions

- Route the wiring harness as shown. Secure the harness to the motor assemblies using the cable clamps supplied with the hood in the positions shown below.
- Attach the wiring harness to the brace inside the hood, on the right side using two (2) supplied cable ties.
- Use a cable tie to take up any remaining slack that may exist in the wiring harness. Stow the harness behind the plate on the right side. Securing any slack will reduce additional noise due to vibration.



IMPORTANT: For proper operation, route and secure the harness exactly as shown.

- Tip the hood back down so that the top of the hood faces up. Using existing screws, attach the cover plates removed in step 3 to the top of the hood to cover the holes.
- Attach the duct collars removed in step 2 to the back of the unit using the existing screws.

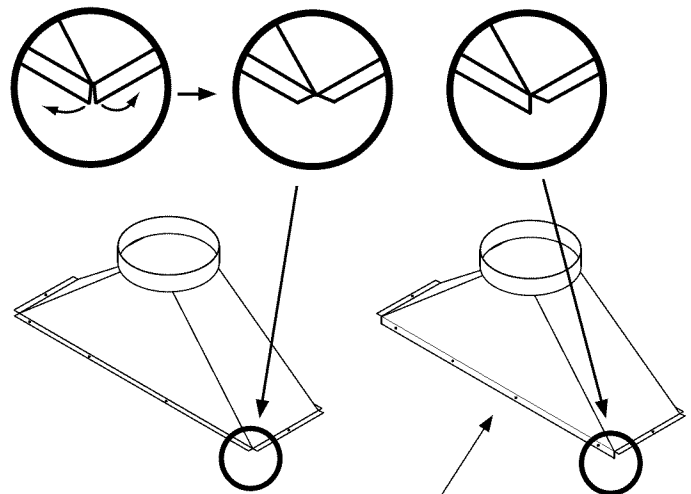


AHT10 Transition Kit Installation

On dual exhaust models, the two 8" exhausts may be merged into one 10" duct using Dacor transition kit AHT10. Install the transition before installing the hood on the wall. It connects to the hood on the top or rear, depending on the type of installation.

Preparing the AHT10 for Installation

Prepare the transition for installation by bending the bottom edges at right angles to create a $\frac{3}{4}$ " flange around the base. **IMPORTANT:** On 12" high hoods modified to exhaust out the rear, leave one of the long edges unbent.



Leave this edge unmodified, bend up other three.

Transition Flange Prep:
All models using top exhaust and 18" high models with rear exhaust

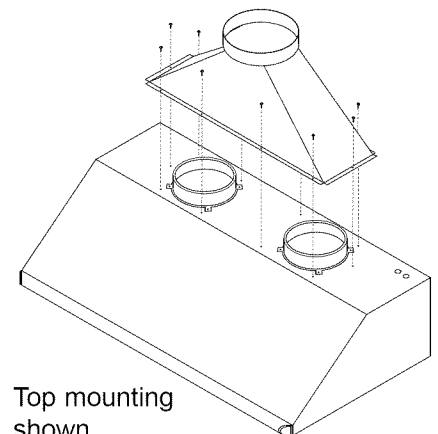
Transition Flange Prep:
12" high models with rear exhaust

Drill pilot holes around the edges of the mounting flange including the unmodified edge, if the transition will be mounted to the back of a 12" high hood (see above).

Installing the AHT10 Transition:

Top exhaust models and 18" high models with rear exhaust:

Center the transition over the duct collars and fasten it in place using sheet metal screws (not included). Seal the base of the transition with duct tape.

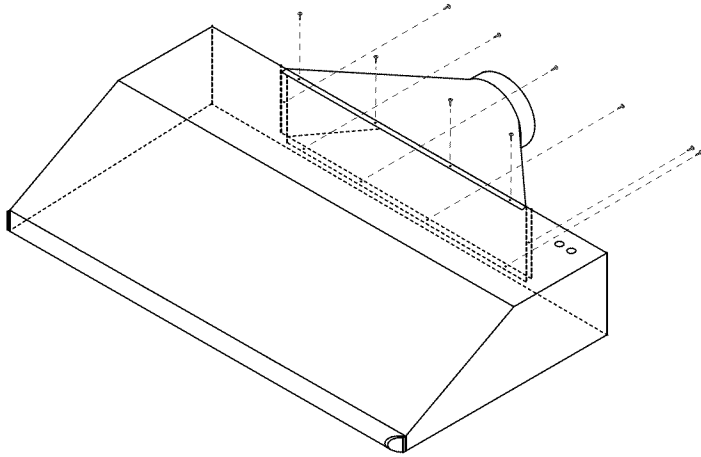


Top mounting shown

Installation Instructions

12" high models with rear exhaust:

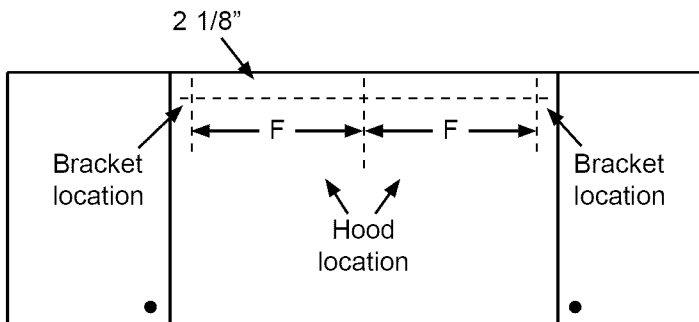
Center the transition over the duct collars while resting the unmodified edge on the top of the hood. Fasten in place using sheet metal screws (not included). Seal the base of the transition with duct tape.



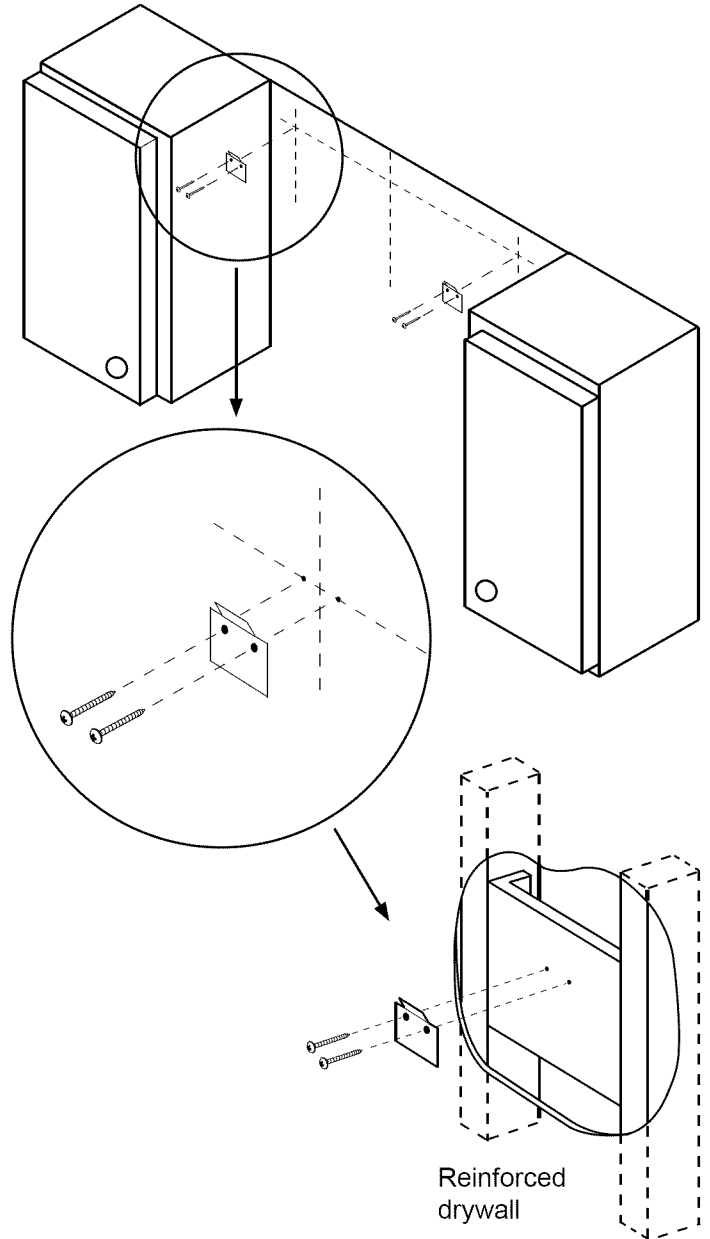
Mounting Bracket Installation

1. Draw the horizontal center line for the temporary mounting brackets on the wall. The center line for the brackets is 2 1/8" (54 cm) below where the top of the hood will be located. The horizontal line marks the center line of the mounting screws that hold the temporary mounting brackets in place. **IMPORTANT:** Installing the brackets lower or higher than the center line shown will cause alignment problems during final installation.
2. Draw the two (2) vertical center lines for the brackets on the wall. They are located on both sides of the hood center line drawn on the wall before making the duct cut-out. The distance from the center line depends on the model. See the chart below.

TEMPORARY BRACKET CENTER LINE DISTANCE	
Models	F
EH3012, EH3018, MH3012, MH3018	12 3/8" (31.4 cm)
EH3612, EH3618, MH3612, MH3618	15 3/8" (39.1 cm)
EH4212, EH4218	18 3/8" (46.7 cm)
EH4812, EH4818, MH4812, MH4818	21 3/8" (54.3 cm)
EH5418	24 3/8" (61.9 cm)



3. Find the temporary mounting bracket in the shipping box. Put the bracket against the wall and line up the center hole with the intersection of the bracket center lines on the wall. Make sure the anchors and/or screws used are strong enough to support the hood. Make sure drywall installations are properly reinforced.



4. Mark the two mounting hole positions through the holes in the bracket. Drill the pilot holes for the screws or anchors and attach the brackets securely to the wall.

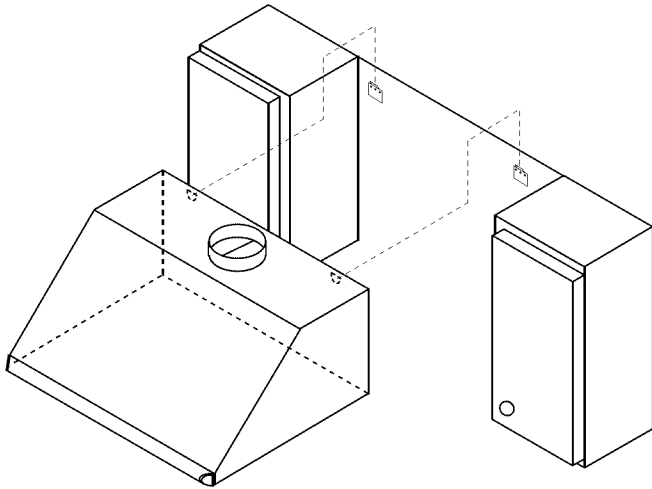
Installation Instructions

Hanging the Range Hood

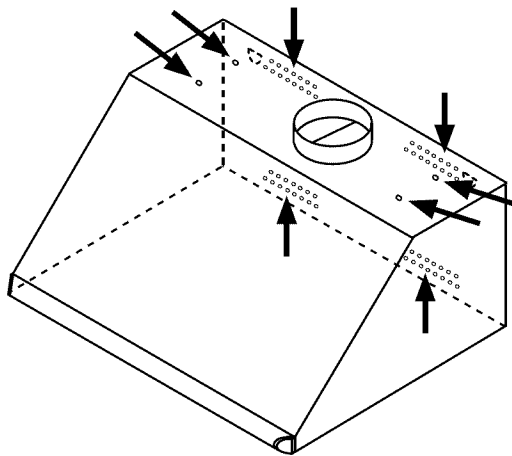
WARNING

Hanging the range hood requires two people. Do not attempt to lift the hood without assistance.

1. Remove the plastic coating from the outside of the hood.
2. Remove the filter(s) to reduce weight and avoid damage.
3. Lift the hood up on both sides and slip the mounting slots over the tabs on the mounting brackets.



4. Lift the hood into its final position and mark the desired locations for the anchors or wood screws through the mounting slots on the back and top of the hood.
5. Remove the hood from the wall.
6. Drill the pilot or mounting anchor holes. If using mounting anchors insert them into the mounting holes.



Mounting Hole Locations

7. Reattach the hood to the temporary mounting brackets.
8. Lift the hood into its final position and fasten it in place. Insert the fasteners through the mounting slots in the back and top of the hood into the studs, mounting blocks or anchors.

Duct Work Installation

WARNING

During duct installation, make sure there are no obstructions that keep the damper flaps on the top of the hood from opening.

- Install the duct work starting from the hood, working toward the outside vent. Observe the specifications on page 7.
- Fasten all joints with sheet metal screws and seal with duct tape or certified silver tape.

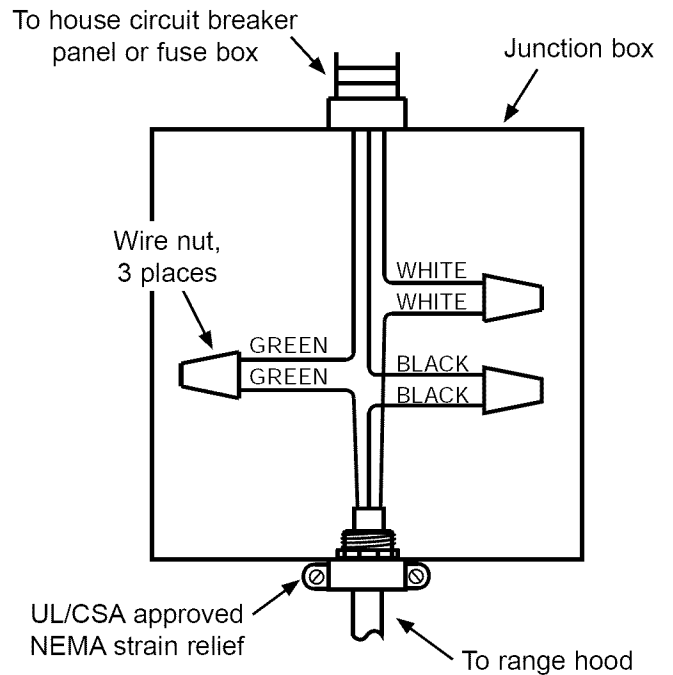
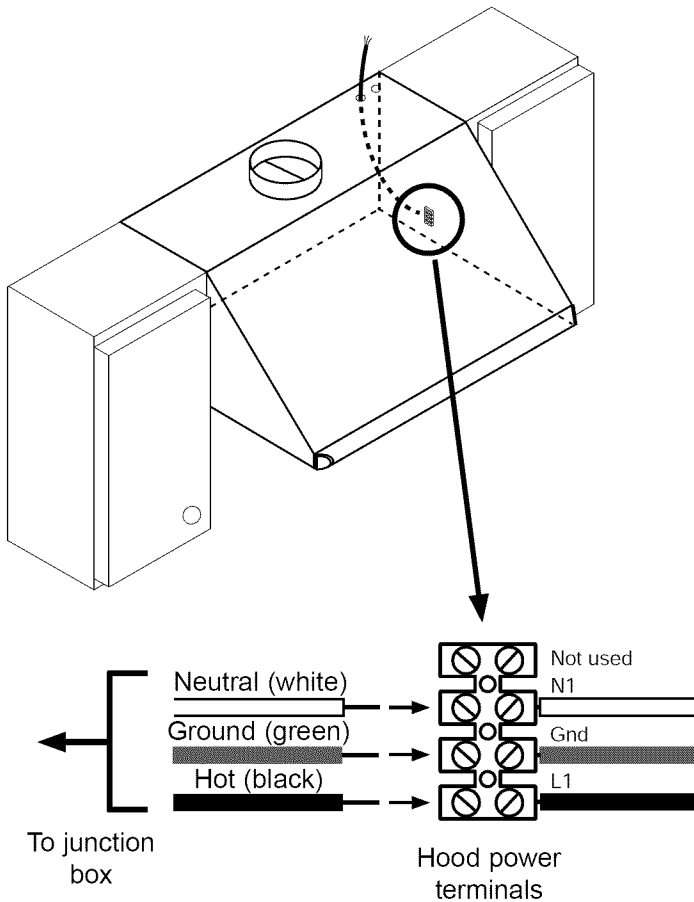
Installation Instructions

Final Electrical Installation

WARNING

- To avoid electric shock or fire hazard, prior to connecting the electrical wiring to the hood, make sure that power to the hood power supply line is turned off at the fuse box or circuit breaker panel.
- Improper connection of the hood electrical wiring may create an electric shock or fire hazard and may result in damage to the hood's electrical system. See page 6 for specifications.
- Do not ground the hood to the neutral (white) power supply wire. Connect the hood ground wire to a separate, properly grounded wire installed by a licensed electrician.
- Make sure all wire used is capable of handling the total connected load. See page 3.

1. Turn off power to the hood electrical circuit at the circuit breaker or fuse box.
2. Feed the wiring through the wiring access holes in the hood. Connect the wiring to the terminal block inside the hood as shown.
3. Connect the hood wiring to an electrical junction box on a dedicated circuit. See page 6 for specifications. Connect it according to the wiring diagram below or on the following page.

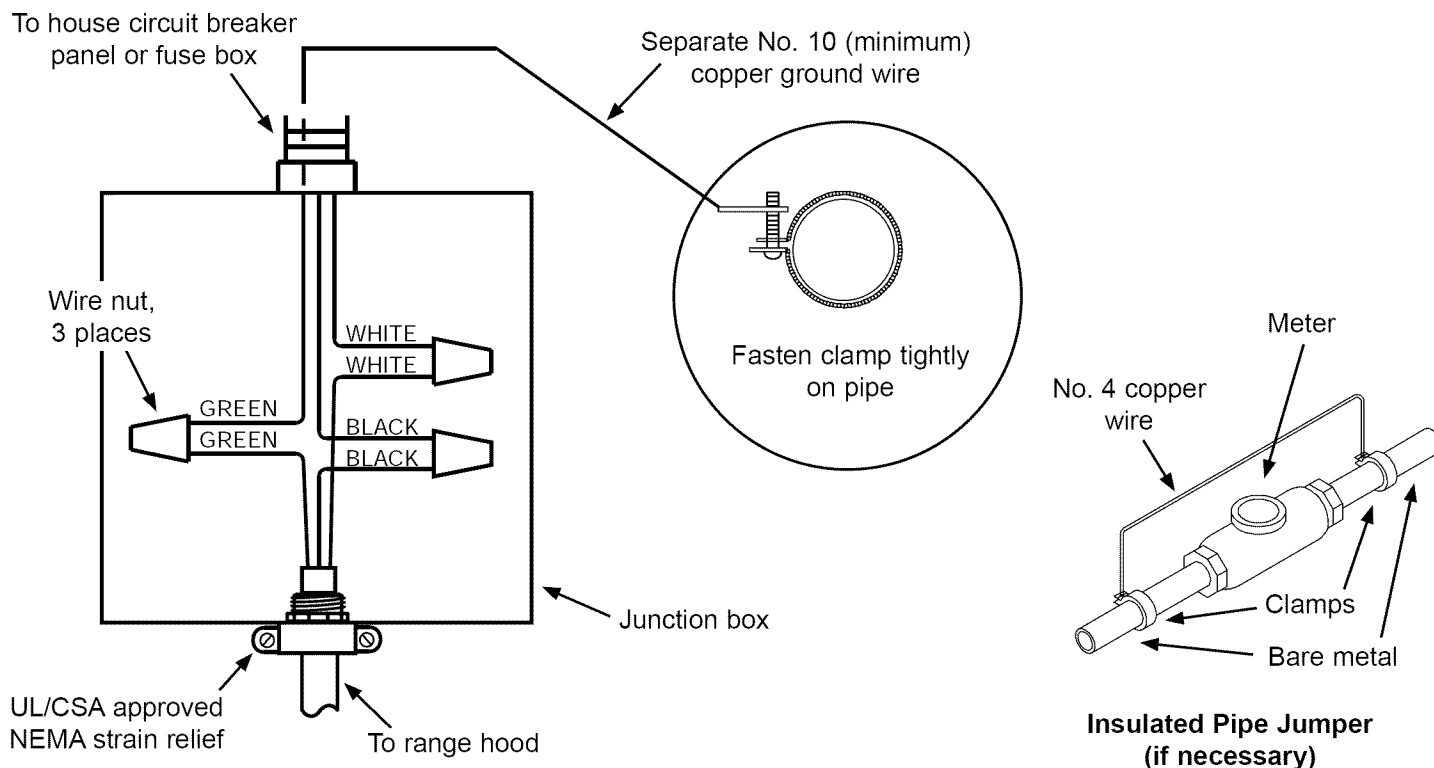


3 Wire Connection to Junction Box

Installation Instructions

WARNING

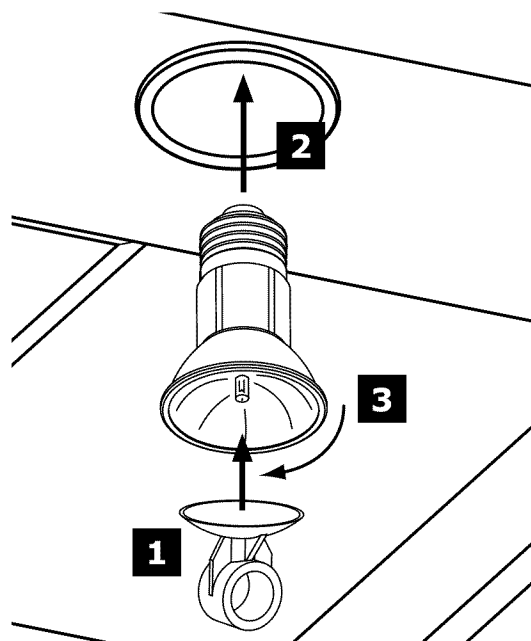
- Do not ground the circuit to a gas line.
- Do not ground the circuit to a hot water pipe.
- Water lines that are insulated must be jumped to assure continuity to ground. See below.



Grounding the Hood Wiring Using an External Cold Water Pipe

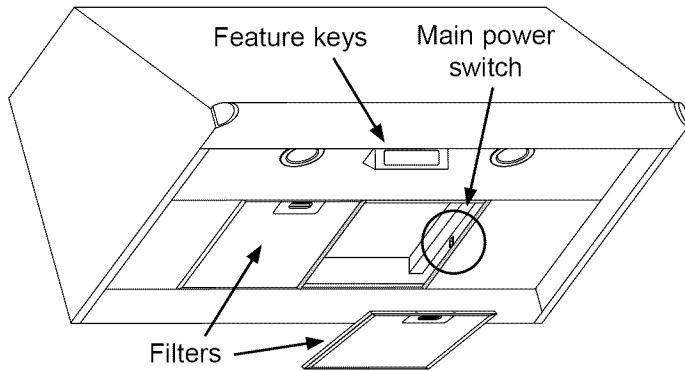
Light Bulb Installation

1. Attach the included suction cup to one of the provided light bulbs.
2. Insert it into one of the light fixtures.
3. Screw it into place and remove the suction cup.
4. Repeat for the remaining light fixtures.

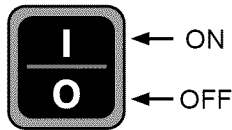


Installation Instructions

Verifying Proper Operation



1. Make sure the main power switch is off.
2. Turn on power at the circuit breaker panel or fuse box.
3. Turn on the main power switch. The control panel will flash several times during initialization.
4. Install the filter(s).



5. Touch the **LIGHTS** feature key. Verify that all the lights come on.
6. Touch the **LIGHTS** key again to turn the lights to the low setting.
7. Touch the **LIGHTS** key again to turn the lights off.
8. Touch the **FAN** feature key once and release. Verify that one light is showing on the fan speed indicator and that the fan is on at low speed. Touch and release the **FAN** key repeatedly, three times. Verify that with each touch of the key, the number of lights on the fan speed indicator increases and that the fan speed increases.
9. Touch the **FAN** key again to turn the fan off.

If the hood fails to operate properly:

- Verify that power is supplied to the hood.
- Check the electrical connections to ensure that the installation has been completed correctly.
- Repeat the above test.
- If the hood still does not work, contact Dacor Distinctive Service at (877) 337-3226. Do not attempt to repair the appliance yourself. If you need service, be sure to have the model and serial numbers available when you call. See the inside cover for location.

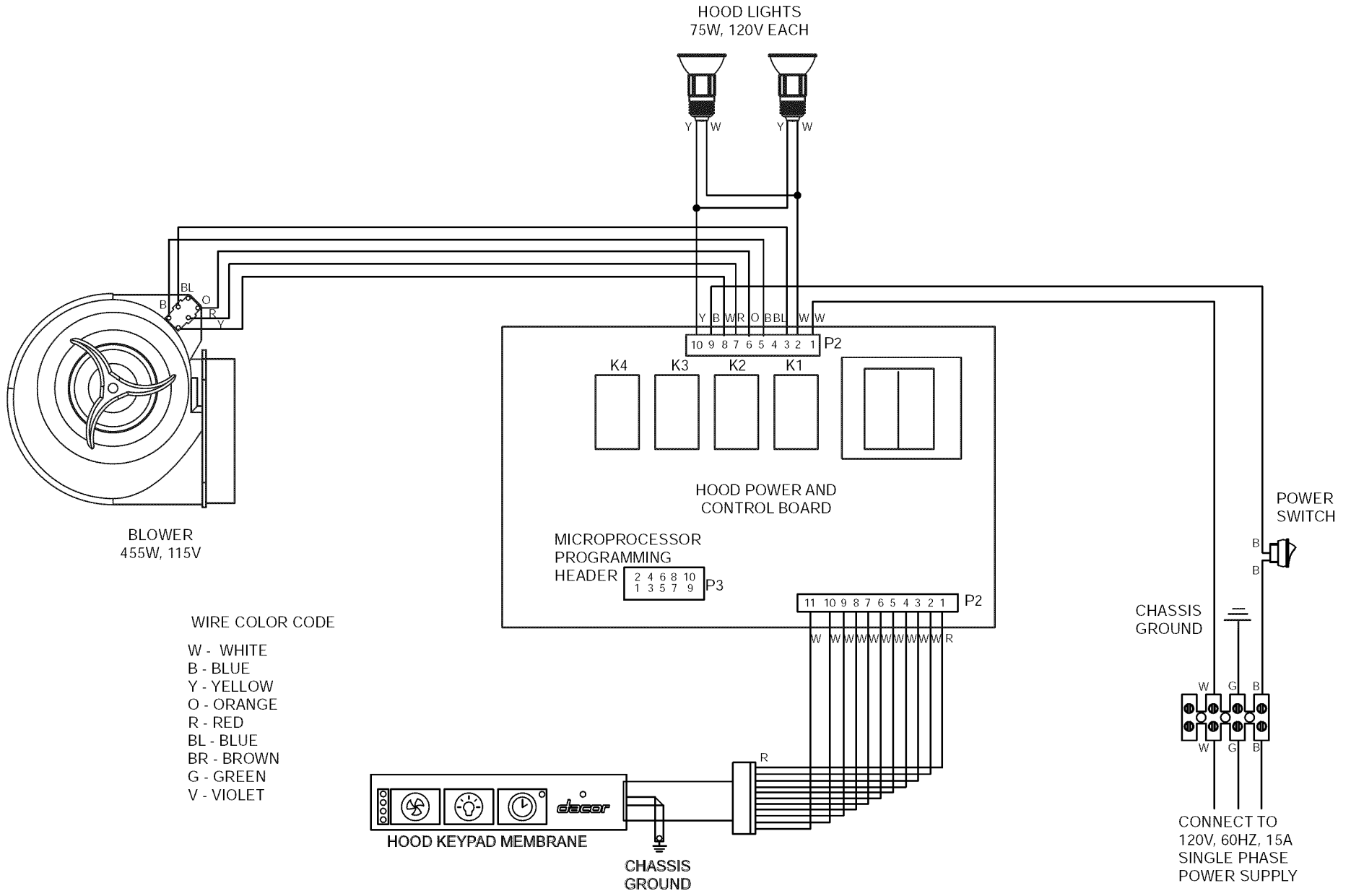
Do not attempt to repair the appliance yourself. Dacor is not responsible for service required to correct a faulty installation.

Installation Checklist

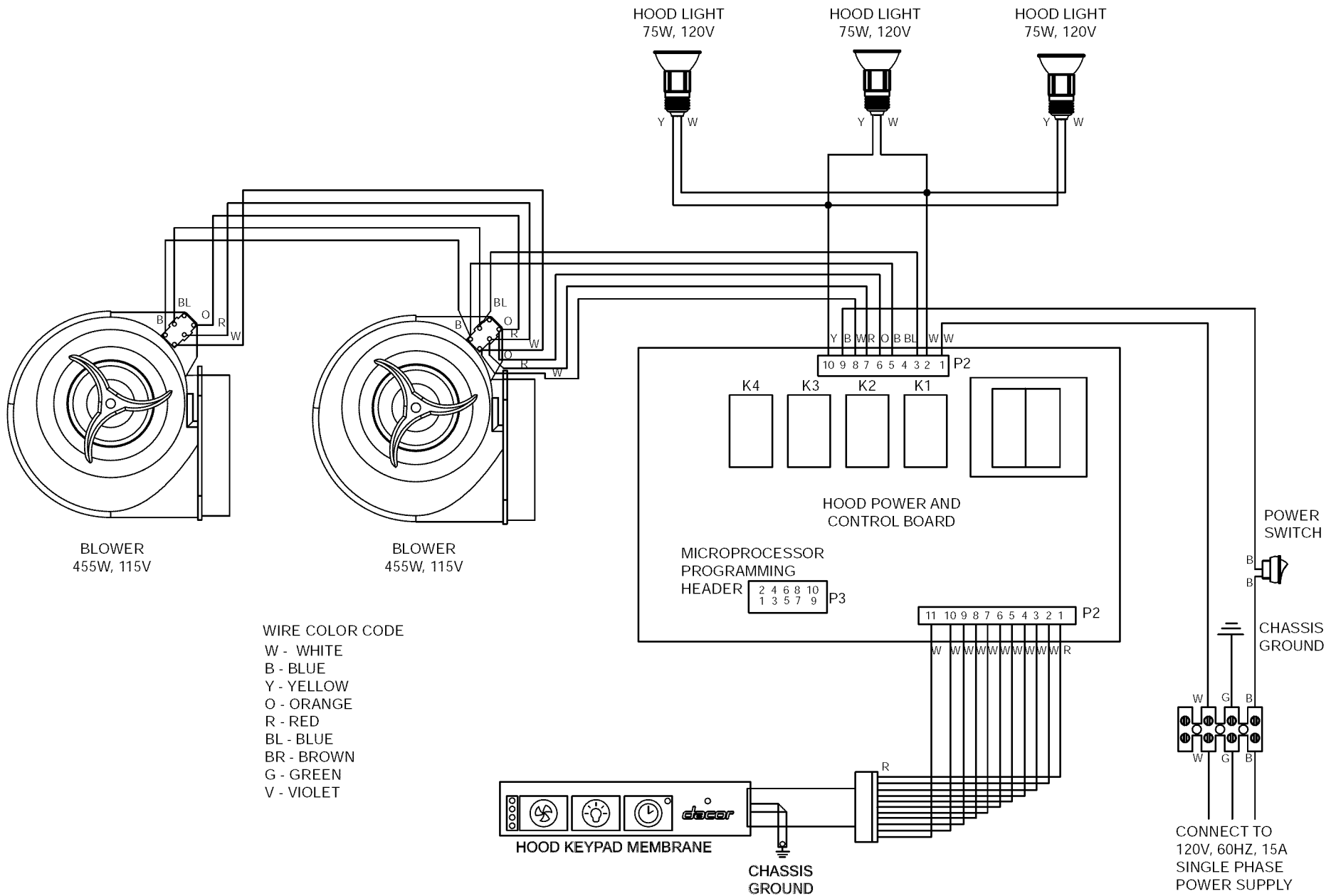
WARNING

- To ensure a safe and proper installation, the following checklist should be completed by the installer to ensure that no part of the installation has been overlooked.
- Proper installation is the responsibility of the homeowner. The importance of proper installation of your Dacor range hood cannot be overemphasized.

- Is the hood properly attached to the wall according to the instructions on page 16 and 17?
- Is the duct work completely installed? Are all joints attached with sheet metal screws and wrapped with duct tape? See page 18.
- Is the range hood wired and grounded according to these instructions and in accordance with all applicable electric codes? See page 18.
- Are the filters properly installed according to the use and care manual?
- Has proper operation been verified?
- Have any problems been noted on the warranty card or during the on-line warranty activation? Has the warranty been activated on-line or the warranty card filled out completely and mailed?



Wiring Diagram - Single Blower Models



Wiring Diagram - Dual Blower Models

Notes

dacor[®]
The Life of the Kitchen.[®]

