

KitchenAid®

CLASSIC COMMERCIAL STYLE DUAL FUEL CONVECTION RANGE

Use & Care Guide

For questions about features, operation/performance, parts, accessories or service, call: **1-800-422-1230**
or visit our website at www.kitchenaid.com

In Canada call: **1-800-807-6777** or visit our website at www.KitchenAid.ca

CUISINIÈRE À CONVECTION - STYLE CLASSIQUE COMMERCIAL À BI-COMBUSTIBLE

Guide d'utilisation et d'entretien

Au Canada composez le **1-800-807-6777** ou visitez notre site web à www.KitchenAid.ca

Table of Contents/Table des matières..... 2



TABLE OF CONTENTS

RANGE SAFETY	3
The Anti-Tip Bracket	4
PARTS AND FEATURES	6
COOKTOP USE	10
Cooktop Controls	10
Sealed Surface Burners	10
Simmer Plate	11
Grill (on some models)	11
Griddle (on some models)	13
Home Canning	14
Cookware	14
ELECTRONIC OVEN CONTROL	14
First Use/Power Interruption	14
Selector and Set Control Knobs	14
Enter and Cancel	14
Clock	14
OVEN USE	15
Aluminum Foil	15
Positioning Racks and Bakeware	15
Bakeware	15
Meat Thermometer	16
Oven Vent	16
Bake	16
Broil	16
Convection Cooking	17
Convection Bake	17
Convection Roast	18
Convection Broil	19
Proofing Bread	19
Keep Warm	19
Timed Cooking	20
RANGE CARE	20
Self-Cleaning Cycle (on some models)	20
General Cleaning	21
Oven Lights	23
Oven Door	23
TROUBLESHOOTING	23
ASSISTANCE OR SERVICE	25
In the U.S.A.	25
Accessories	25
In Canada	25
WARRANTY	26

TABLE DES MATIÈRES

SÉCURITÉ DE LA CUISINIÈRE	27
La bride antibasculement	28
PIÈCES ET CARACTÉRISTIQUES	30
UTILISATION DE LA TABLE DE CUISSON	34
Commandes de la table de cuisson	34
Brûleurs de surface scellés	35
Plaque de mijotage	35
Gril (sur certains modèles)	36
Plaque à frire (sur certains modèles)	37
Préparation de conserves à la maison	38
Ustensiles de cuisson	38
COMMANDE ÉLECTRONIQUE DU FOUR	39
Première utilisation/panne de courant	39
Boutons de sélection et de commande de réglage	39
Entrer et annuler	39
Horloge	39
UTILISATION DU FOUR	39
Papier d'aluminium	39
Positionnement des grilles et des ustensiles de cuisson	39
Ustensiles de cuisson	40
Thermomètre à viande	40
Évent du four	41
Cuisson au four	41
Cuisson au gril	41
Cuisson par convection	42
Cuisson au four par convection	42
Rôtissage par convection	43
Cuisson au gril par convection	44
Levée du pain	44
Garder au chaud	45
Cuisson minutée	45
ENTRETIEN DE LA CUISINIÈRE	46
Programme d'autonettoyage (sur certains modèles)	46
Nettoyage général	47
Lampes du four	48
Porte du four	49
DÉPANNAGE	49
ASSISTANCE OU SERVICE	51
GARANTIE	51

RANGE SAFETY

Your safety and the safety of others are very important.

We have provided many important safety messages in this manual and on your appliance. Always read and obey all safety messages.



This is the safety alert symbol.

This symbol alerts you to potential hazards that can kill or hurt you and others.

All safety messages will follow the safety alert symbol and either the word "DANGER" or "WARNING." These words mean:

⚠ DANGER

You can be killed or seriously injured if you don't immediately follow instructions.

⚠ WARNING

You can be killed or seriously injured if you don't follow instructions.

All safety messages will tell you what the potential hazard is, tell you how to reduce the chance of injury, and tell you what can happen if the instructions are not followed.

WARNING: If the information in this manual is not followed exactly, a fire or explosion may result causing property damage, personal injury or death.

- Do not store or use gasoline or other flammable vapors and liquids in the vicinity of this or any other appliance.
- **WHAT TO DO IF YOU SMELL GAS:**
 - Do not try to light any appliance.
 - Do not touch any electrical switch.
 - Do not use any phone in your building.
 - Immediately call your gas supplier from a neighbor's phone. Follow the gas supplier's instructions.
 - If you cannot reach your gas supplier, call the fire department.
- Installation and service must be performed by a qualified installer, service agency or the gas supplier.

The California Safe Drinking Water and Toxic Enforcement Act requires the Governor of California to publish a list of substances known to the State of California to cause cancer, birth defects, or other reproductive harm, and requires businesses to warn of potential exposure to such substances.

WARNING: This product contains a chemical known to the State of California to cause cancer, birth defects, or other reproductive harm.

This appliance can cause low-level exposure to some of the substances listed, including benzene, formaldehyde, carbon monoxide, toluene, and soot.

The Anti-Tip Bracket

The range will not tip during normal use. However, the range can tip if you apply too much force or weight to the open door without the anti-tip bracket fastened down properly.



⚠️ WARNING

Tip Over Hazard

A child or adult can tip the range and be killed.

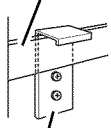
Connect anti-tip bracket to wall behind range.

Reconnect the anti-tip bracket, if the range is moved.

See the installation instructions for details.

Failure to follow these instructions can result in death or serious burns to children and adults.

Rear Brace



Anti-Tip Bracket

Making sure the anti-tip bracket is installed:

- Slide range forward.
- Look for the anti-tip bracket securely attached to wall behind range.
- Slide range completely back, so anti-tip bracket is over rear brace of range.

IMPORTANT SAFETY INSTRUCTIONS

WARNING: To reduce the risk of fire, electrical shock, injury to persons, or damage when using the range, follow basic precautions, including the following:

- **WARNING: TO REDUCE THE RISK OF TIPPING OF THE RANGE, THE RANGE MUST BE SECURED BY PROPERLY INSTALLED ANTI-TIP DEVICES. TO CHECK IF THE DEVICES ARE INSTALLED PROPERLY, SLIDE RANGE COMPLETELY FORWARD, LOOK FOR ANTI-TIP BRACKET SECURELY ATTACHED TO THE WALL BEHIND THE RANGE AND SLIDE RANGE COMPLETELY BACK SO ANTI-TIP BRACKET IS OVER REAR BRACE OF RANGE.**
- **WARNING:** NEVER use this appliance as a space heater to heat or warm the room. Doing so may result in carbon monoxide poisoning and overheating of the oven.
- **WARNING:** NEVER cover any slots, holes or passages in the oven bottom or cover an entire rack with materials such as aluminum foil. Doing so blocks air flow through the oven and may cause carbon monoxide poisoning. Aluminum foil linings may also trap heat, causing a fire hazard.
- **CAUTION:** Do not store items of interest to children in cabinets above a range or on the backguard of a range – children climbing on the range to reach items could be seriously injured.
- **Do Not Leave Children Alone** – Children should not be left alone or unattended in area where the range is in use. They should never be allowed to sit or stand on any part of the range.
- **Wear Proper Apparel** – Loose-fitting or hanging garments should never be worn while using the range.
- **User Servicing** – Do not repair or replace any part of the range unless specifically recommended in the manual. All other servicing should be referred to a qualified technician.
- **Storage in or on the Range** – Flammable materials should not be stored in an oven or near surface units.
- **Do Not Use Water on Grease Fires** – Smother fire or flame or use dry chemical or foam-type extinguisher.
- **Use Only Dry Potholders** – Moist or damp potholders on hot surfaces may result in burns from steam. Do not let potholder touch hot heating elements. Do not use a towel or other bulky cloth.
- **DO NOT TOUCH SURFACE UNITS OR AREAS NEAR UNITS** – Surface units may be hot even though they are dark in color. Areas near surface units may become hot enough to cause burns. During and after use, do not touch, or let clothing or other flammable materials contact surface units or areas near units until they have had sufficient time to cool. Among those areas are the cooktop and surfaces facing the cooktop.
- **Never Leave Surface Units Unattended at High Heat Settings** – Boilover causes smoking and greasy spillovers that may ignite.
- **Glazed Cooking Utensils** – Only certain types of glass, glass/ceramic, ceramic, earthenware, or other glazed utensils are suitable for range-top service without breaking due to the sudden change in temperature.
- **Utensil Handles Should Be Turned Inward and Not Extend Over Adjacent Surface Units** – To reduce the risk of burns, ignition of flammable materials, and spillage due to unintentional contact with the utensil, the handle of a utensil should be positioned so that it is turned inward, and does not extend over adjacent surface units.

- **Clean Cooktop With Caution** – If a wet sponge or cloth is used to wipe spills on a hot cooking area, be careful to avoid steam burn. Some cleaners can produce noxious fumes if applied to a hot surface.
- **Use Care When Opening Door** – Let hot air or steam escape before removing or replacing food.
- **Do Not Heat Unopened Food Containers** – Build-up of pressure may cause container to burst and result in injury.
- **Keep Oven Vent Ducts Unobstructed.**
- **Placement of Oven Racks** – Always place oven racks in desired location while oven is cool. If rack must be moved while oven is hot, do not let potholder contact hot heating element in oven.
- **DO NOT TOUCH HEATING ELEMENTS OR INTERIOR SURFACES OF OVEN** – Heating elements may be hot even though they are dark in color. Interior surfaces of an oven become hot enough to cause burns. During and after use, do not touch, or let clothing or other flammable materials contact heating elements or interior surfaces of oven until they have had sufficient time to cool. Other surfaces of the appliance may become hot enough to cause burns – among these surfaces are oven vent openings and surfaces near these openings, oven doors, and windows of oven doors.
- **Proper Installation** – The range, when installed, must be electrically grounded in accordance with local codes or, in the absence of local codes, with the *National Electrical Code, ANSI/NFPA 70*. In Canada, the range must be electrically grounded in accordance with Canadian Electrical Code. Be sure the range is properly installed and grounded by a qualified technician.
- **Disconnect the electrical supply before servicing the appliance.**
- **Injuries may result from the misuse of appliance doors or drawers such as stepping, leaning, or sitting on the doors or drawers.**
- **Maintenance** – Keep range area clear and free from combustible materials, gasoline, and other flammable vapors and liquids.
- **Top burner flame size should be adjusted so it does not extend beyond the edge of the cooking utensil.**

For self-cleaning ranges –

- **Do Not Clean Door Gasket** – The door gasket is essential for a good seal. Care should be taken not to rub, damage, or move the gasket.
- **Do Not Use Oven Cleaners** – No commercial oven cleaner or oven liner protective coating of any kind should be used in or around any part of the oven.
- **Clean Only Parts Listed in Manual.**
- **Before Self-Cleaning the Oven** – Remove broiler pan and other utensils. Wipe off all excessive spillage before initiating the cleaning cycle.

For units with ventilating hood –

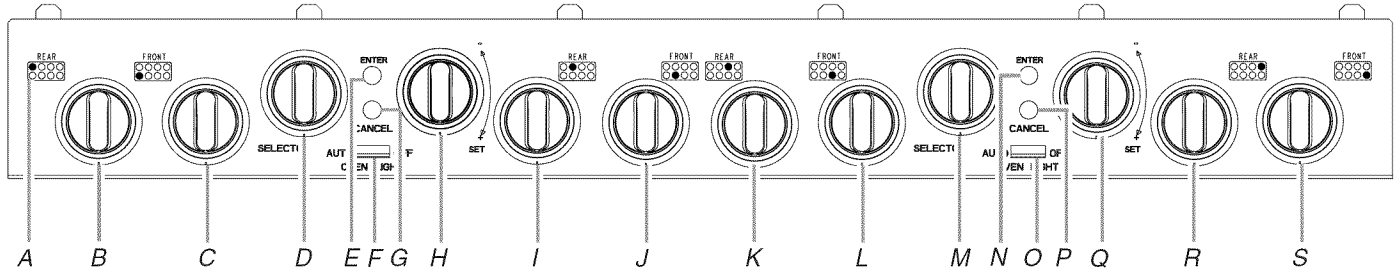
- **Clean Ventilating Hoods Frequently** – Grease should not be allowed to accumulate on hood or filter.
- **When flambéing foods under the hood, turn the fan on.**

SAVE THESE INSTRUCTIONS

PARTS AND FEATURES

This manual covers several different models. The range you have purchased may have some or all of the items listed. The locations and appearances of the features shown here may not match those of your model.

48" (122 cm) Control Panel



Cooktop

- A. Surface burner locator
- B. Left rear control knob (15,000 Btu/h)
- C. Left front control knob (6,000 Btu/h)

Oven

- D. Selector knob
- E. Enter button
- F. Oven light switch
- G. Cancel button
- H. Set knob

Cooktop

- I. Center rear left control knob (15,000 Btu/h)
- J. Center front left control knob (15,000 Btu/h)
- K. Center rear right control knob (15,000 Btu/h)
- L. Center front right control knob (15,000 Btu/h)

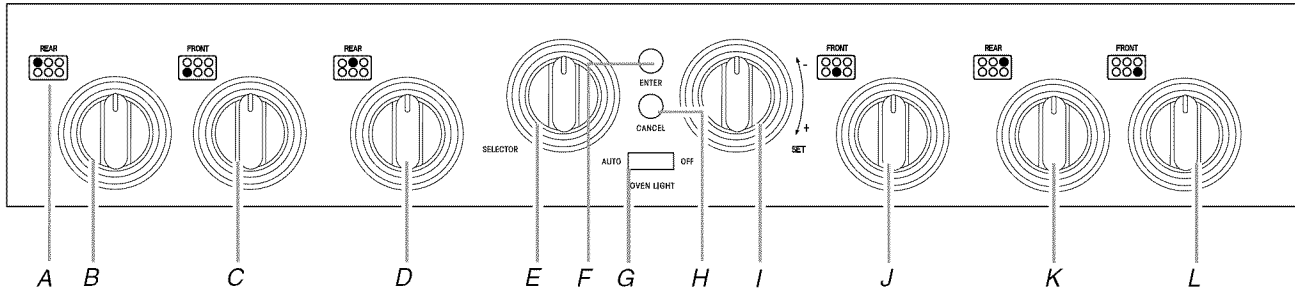
Oven

- M. Selector knob
- N. Enter button
- O. Oven light switch
- P. Cancel button
- Q. Set knob

Cooktop

- R. Right rear control knob (15,000 Btu/h)
- S. Right front control knob (15,000 Btu/h)

36" (91.44 cm) Control Panels



Cooktop

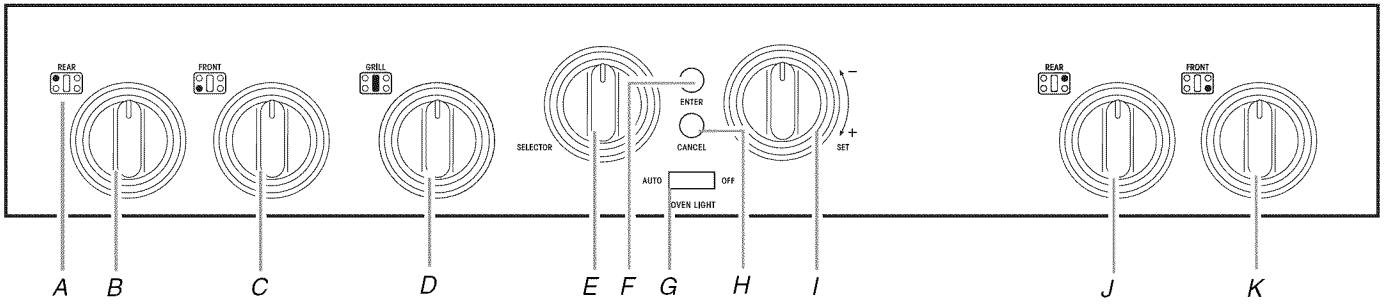
- A. Surface burner locator
- B. Left rear control knob (15,000 Btu/h)
- C. Left front control knob (6,000 Btu/h)
- D. Rear center control knob (15,000 Btu/h)

Oven

- E. Selector knob
- F. Enter button
- G. Oven light switch
- H. Cancel button
- I. Set knob

Cooktop

- J. Front center control knob (15,000 Btu/h)
- K. Right rear control knob (15,000 Btu/h)
- L. Right front control knob (6,000 Btu/h)



Cooktop

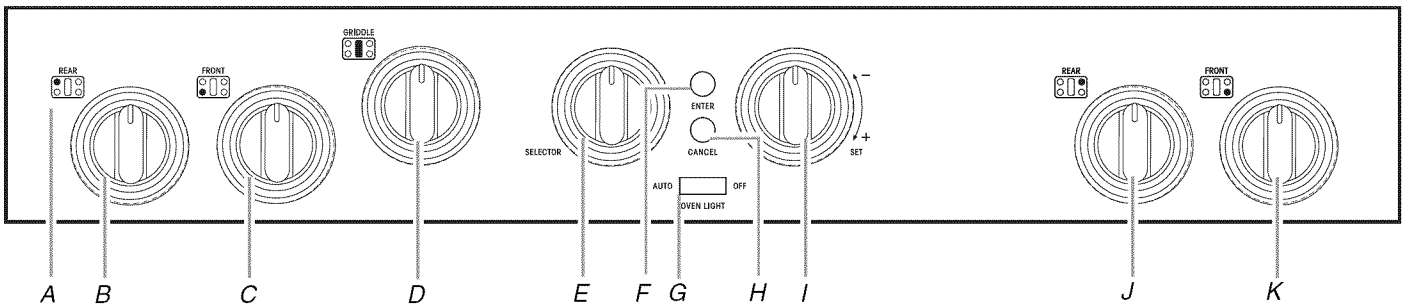
- A. Surface burner locator
- B. Left rear control knob (15,000 Btu/h)
- C. Left front control knob (6,000 Btu/h)
- D. Griddle control knob (18,000 Btu/h)

Oven

- E. Selector knob
- F. Enter button
- G. Oven light switch
- H. Cancel button
- I. Set knob

Cooktop

- J. Right rear control knob (15,000 Btu/h)
- K. Right front control knob (6,000 Btu/h)



Cooktop

- A. Surface burner locator
- B. Left rear control knob (15,000 Btu/h)
- C. Left front control knob (6,000 Btu/h)
- D. Griddle control knob (15,000 Btu/h)

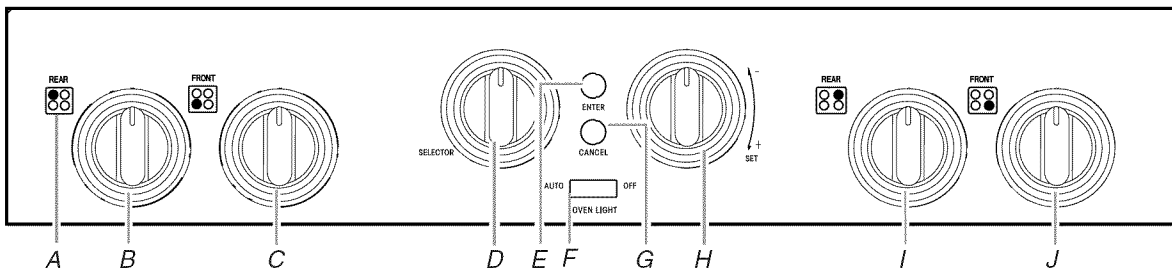
Oven

- E. Selector knob
- F. Enter button
- G. Oven light switch
- H. Cancel button
- I. Set knob

Cooktop

- J. Right rear control knob (15,000 Btu/h)
- K. Right front control knob (6,000 Btu/h)

30" (76.2 cm) Control Panel



Cooktop

- A. Surface burner locator
- B. Left rear control knob (15,000 Btu/h)
- C. Left front control knob (15,000 Btu/h)

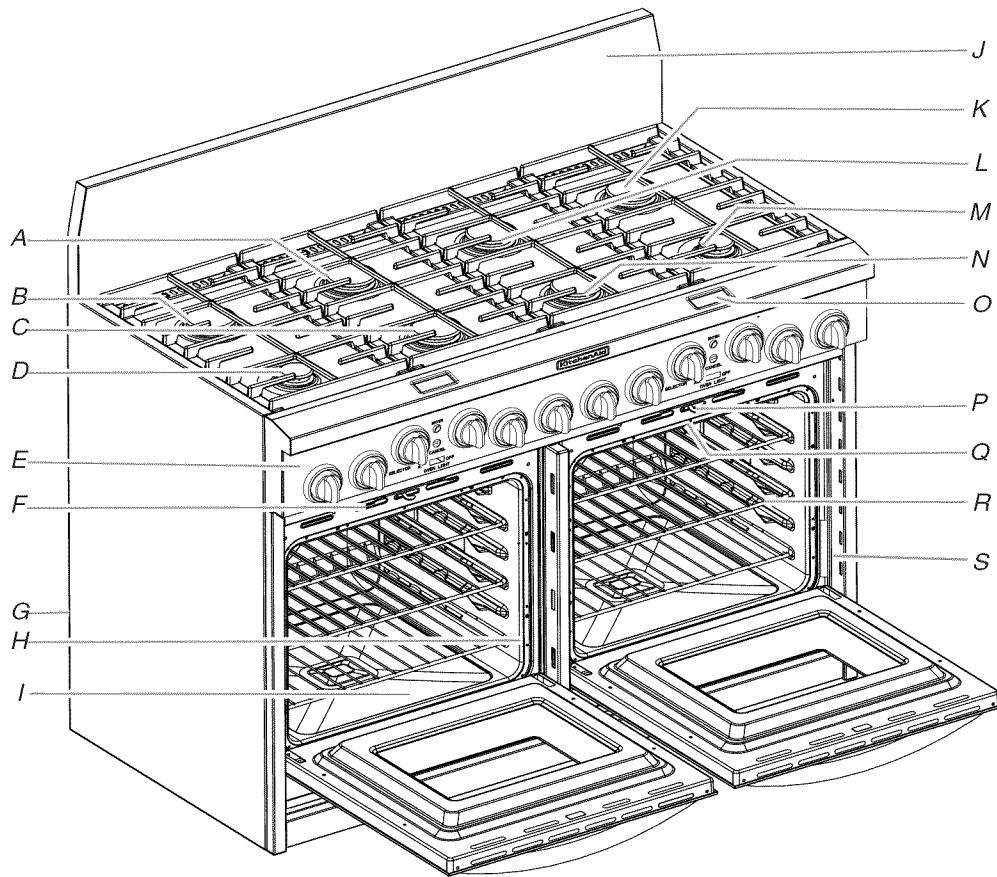
Oven

- D. Selector knob
- E. Enter button
- F. Oven light switch
- G. Cancel button
- H. Set knob

Cooktop

- I. Right rear control knob (15,000 Btu/h)
- J. Right front control knob (15,000 Btu/h)

Range



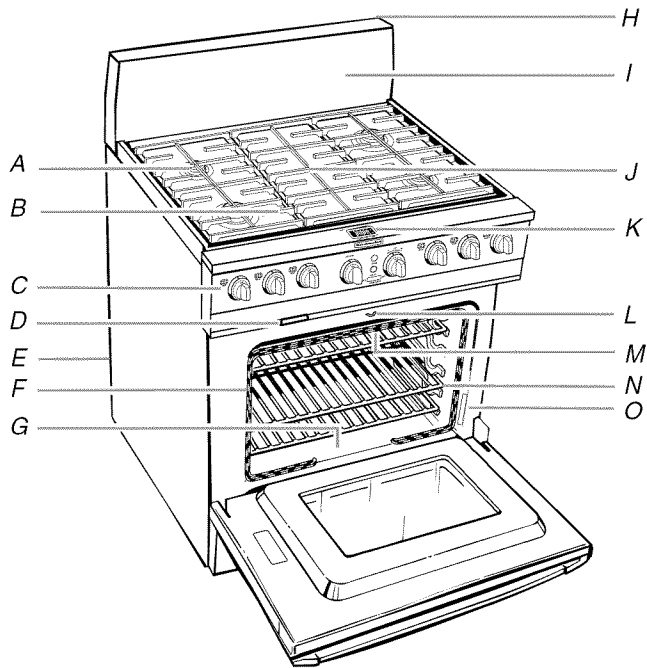
A. Center rear left surface burner
 B. Left rear surface burner
 C. Center front left surface burner
 D. Left front surface burner
 E. Control panel
 F. Oven vent

G. Gas regulator
 (located in rear of range)
 H. Door gasket
 I. Bake element (not visible)
 J. Pin connector
 (located in rear of range,
 for factory testing only)

K. Right rear surface burner
 L. Center rear right surface burner
 M. Right front surface burner
 N. Center front right surface
 burner
 O. Electronic oven control display

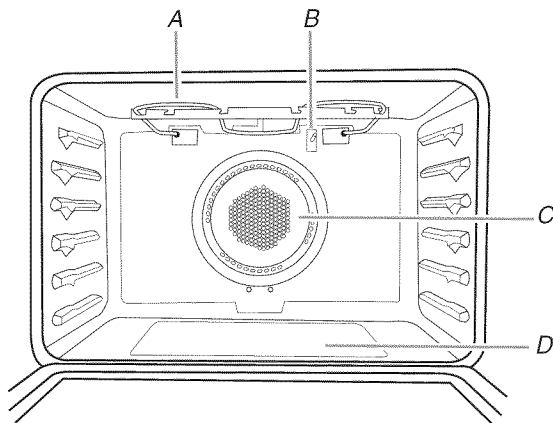
P. Self-cleaning latch
 Q. Broil element (not shown)
 R. Oven rack
 S. Model and serial number
 (located on the right-hand side
 oven trim)

Range



- A. Surface burner
- B. Surface burner grate
- C. Control panel
- D. Oven vent
- E. Gas regulator (rear of range)
- F. Door gasket
- G. Bake element (not visible)
- H. 2-pin connector (not shown; rear of range -not for consumer use - for factory test only)
- I. Stainless steel backguard (island trim not shown)
- J. Grill, griddle, center burners or filler grate
- K. Electronic oven control display
- L. Self-cleaning latch
- M. Broil element (not shown)
- N. Oven rack
- O. Model and serial number plate (located on the right-hand side oven trim)

Oven Interior



- A. Broil element
- B. Oven cavity sensor
- C. Convection fan and ring element (not visible)
- D. Bake element (not visible)

COOKTOP USE

Cooktop Controls

⚠ WARNING



Fire Hazard

Do not let the burner flame extend beyond the edge of the pan.

Turn off all controls when not cooking.

Failure to follow these instructions can result in death or fire.

IMPORTANT: Your cooktop is factory-set for use with Natural Gas. If you wish to use LP Gas, an LP Gas Conversion Kit is included with your new range. See the instructions included with the LP Gas conversion kit for details on making this conversion.

Electric igniters automatically light the surface burners when control knobs are turned to LITE.

The large burners (15,000 Btu/h) provide the highest heat setting, and are ideal for cooking large quantities of food or liquid, using large pots and pans. The small burners (6,000 Btu/h) allow more accurate simmer control at the lowest setting, and are ideal for cooking smaller quantities of food, using smaller pots and pans.

Before setting a control knob, place filled cookware on the grate. Do not operate a burner using empty cookware or without any cookware on the grate.

NOTE: Visually check that the burner has lit. If the burner does not ignite, listen for the clicking sound. If you do not hear the igniter click, turn off the burner. Check for a tripped circuit breaker or blown fuse.

Check that the control knob is pressed completely down on the valve shaft. If the spark igniter still does not operate, call a trained repair specialist.

Proper grounding and polarity are necessary for correct operation of the electric ignition system. If the wall receptacle does not provide correct polarity, the igniter will become grounded and occasionally click, even after the burner has ignited. Contact a trained repair specialist to check the wall receptacle to see whether it is wired with the correct polarity.

To Set:

1. Push in and turn knob counterclockwise to LITE.
All surface burners will click. Only the burner with the control knob turned to LITE will produce a flame.
2. Turn knob to anywhere between HI and LO. Use the following chart as a guide when setting heat levels.

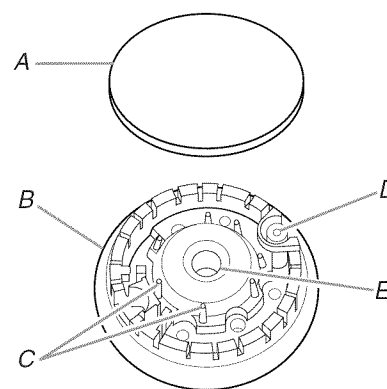
SETTING	RECOMMENDED USE
LITE	■ Light the burner.
HI	■ Start food cooking. ■ Bring liquid to a boil.
MED to HI	■ Hold a rapid boil. ■ Quickly brown or sear food.
MED	■ Fry or sauté foods. ■ Hold a slow boil.
MED to LO	■ Cook soups, sauces and gravies. ■ Stew or steam foods.
LO (with Simmer Plate)	■ Keep food warm. ■ Melt chocolate or butter. ■ Simmer.

REMEMBER: When range is in use or (on some models) during the Self-Cleaning cycle, the entire cooktop area may become hot.

Power Failure

In case of prolonged power failure, the surface burners can be lit manually. Hold a lit match near a burner and turn knob counterclockwise to HI. After burner lights, turn knob to setting.

Sealed Surface Burners

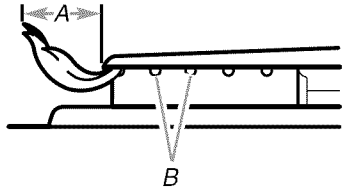


- A. Burner cap
- B. Burner base
- C. Alignment pins
- D. Igniter
- E. Gas tube opening

IMPORTANT: Do not obstruct the flow of combustion and ventilation air around the burner grate edges.

Burner cap: Always keep the burner cap in place when using a surface burner. A clean burner cap will help avoid poor ignition and uneven flames. Always clean the burner cap after a spillover and routinely remove and clean the caps according to the “General Cleaning” section.

Gas tube opening: Gas must flow freely throughout the gas tube opening for the burner to light properly. Keep this area free of soil and do not allow spills, food, cleaning agents or any other material to enter the gas tube opening. Protect it from spillovers by always using a burner cap.



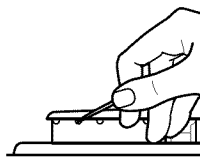
A. 1-1½" (25-38 mm)
B. Burner ports

Burner ports: Check burner flames occasionally for proper size and shape as shown above. A good flame is blue in color, not yellow. Keep this area free of soil and do not allow spills, food, cleaning agents or any other material to enter the burner ports.

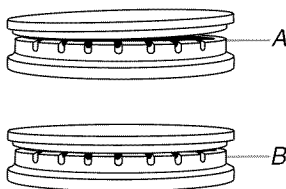
To Clean:

IMPORTANT: Before cleaning, make sure all controls are off and the oven and cooktop are cool. Do not use oven cleaners, bleach or rust removers.

1. Remove the burner cap from the burner base and clean according to “General Cleaning” section.
2. Clean the gas tube opening with a damp cloth.
3. Clean clogged burner ports with a straight pin as shown. Do not enlarge or distort the port. Do not use a wooden toothpick. If the burner needs to be adjusted, contact a trained repair specialist.



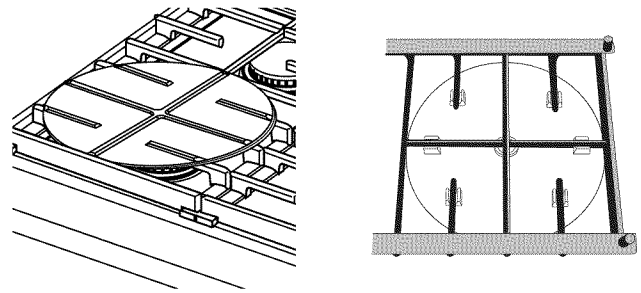
4. Replace the burner cap, making sure the alignment pins are properly aligned with the burner cap.



A. Incorrect
B. Correct

5. Turn on the burner. If the burner does not light, check cap alignment. If the burner still does not light, do not service the sealed burner yourself. Contact a trained repair specialist.

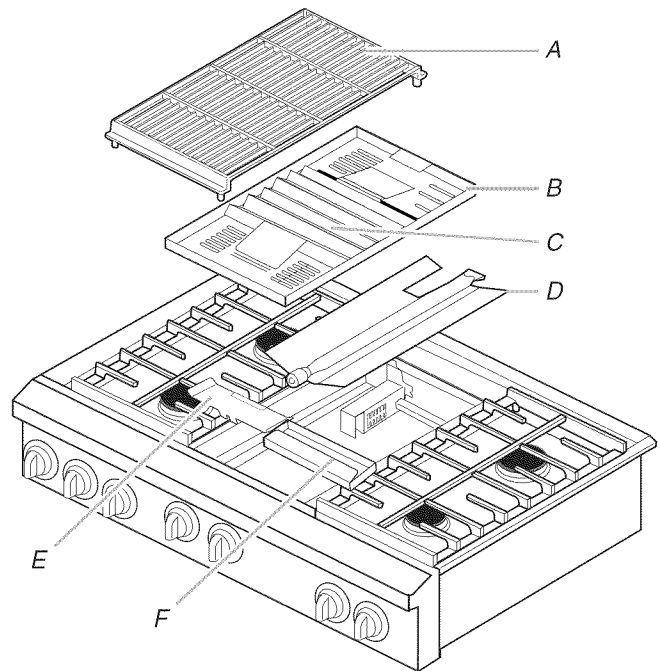
Simmer Plate



- The Simmer Plate is made of aluminum with a nonstick coating to evenly spread the heat over the bottom of cookware.
- Channels on the bottom of the Simmer Plate have been designed so it fits properly and securely over the grate. See above illustration.
- The Simmer Plate may be used on large and small surface burners.
- Use the Simmer Plate with burner settings in the medium to low range on the cooktop when lower temperatures are needed for simmering, or for maintaining food at a low temperature over an extended period of time.

See “Assistance or Service” section to order extra Simmer Plates.

Grill (on some models)



A. Grill grate
B. Wave tray
C. Wave plate
D. Burner assembly
E. Front spill guard
F. Drip tray

The grill module consists of a cast-iron grate, a wave tray, a wave plate, a burner assembly, a front spill guard and a drip tray. It is used to grill foods. Refer to the “Grill Chart” for cook times and settings.

When using the grill, follow the guidelines below.

- Do not leave the grill unattended while cooking.

- Do not use aluminum foil, charcoal or wood chips.
- Trim excess fat to reduce spattering. Slit the remaining fat on the edges to avoid curling.
- Allow space between food on the grill. Crowding food will result in uneven cooking.
- Use a metal spatula or tongs to turn food.
- Steaks, chops and hamburgers should be turned only once to avoid loss of juices.
- For even cooking, foods such as chicken quarters should be turned several times.
- To check for doneness of meats and poultry, use an instant read thermometer or make a small cut in the center of the food. This will avoid loss of juices.

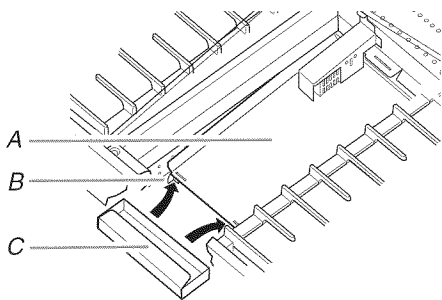
Before removing or replacing grill, make sure the control knobs are turned to OFF. Allow the grill to cool completely before handling.

To Remove:

1. Remove grill grate.
2. Remove wave tray and wave plate.
3. Remove burner assembly.
4. Remove front spill guard.
5. Remove drip tray.
6. Clean basin. See "General Cleaning" section.

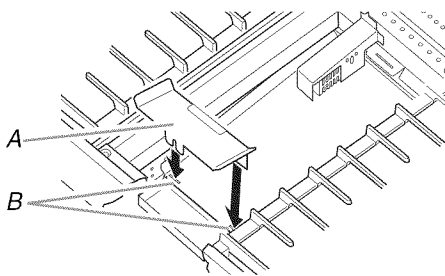
To Replace:

1. Lift burner assembly out of basin and set aside.
2. Place drip tray on bottom of grill basin and slide the tray forward so that it is located side to side and against the locating feet of the rear spill guard.



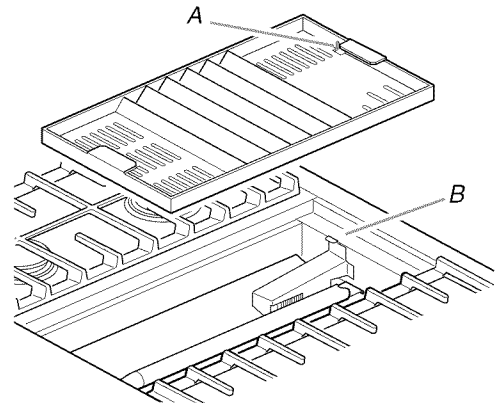
A. Rear spill guard
B. Locating feet
C. Drip tray

3. Insert the front spill guard feet into the slots in the rear spill guard. The rear flange will rest on the burner box.



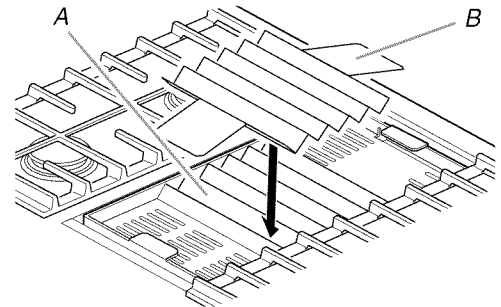
A. Front spill guard
B. Feet and slots

4. Place burner assembly over spill guard, making sure burner's rear flange is seated in slot.
5. Install the wave tray into the grill. The tab in the left rear corner of the bay must fit through the slot in the left rear corner of the wave tray.



A. Slot for locating tab
B. Locating tab

6. Place the wave plate on the wave tray. The wave plate must be centered on the wave tray.



A. Wave tray
B. Wave plate

7. Replace grill grate.

To Use:

1. Turn on overhead range hood.
2. If desired, apply a light coating of vegetable oil or nonstick cooking spray to grill grate.
3. Push in and turn knob to LITE/HI. The flame will ignite in 30-40 seconds. Allow grill to preheat for 10 minutes.
4. Turn knob to desired cook setting. Place food on grill.

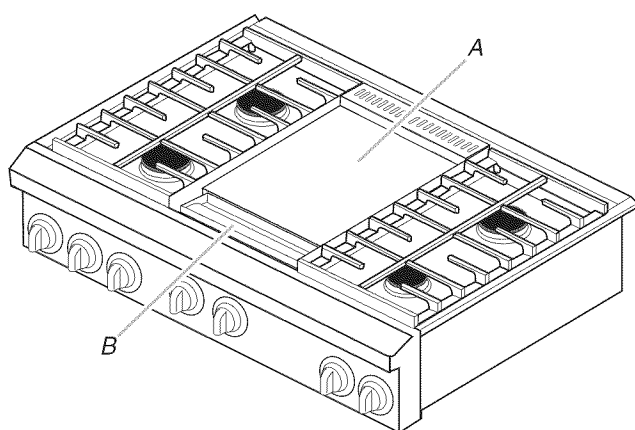
GRILL CHART

The settings and times are guidelines only and may need to be adjusted for individual tastes.

FOOD	SETTING	COOK TIME TOTAL MINUTES
Steak		
1" (2.5 cm)	MED-HI	16-20
medium	MED-HI	20-30
well-done	MED-HI	20-30
Ground Meat Patties		
½ - ¾" (1.3-1.9 cm)	MED	20-25

FOOD	SETTING	COOK TIME TOTAL MINUTES
Pork Chops 1" (2.5 cm)	MED	35-55
Ham Slices ½" (1.3 cm)	MED-HI	8-12
Frankfurters and Precooked Sausages	MED	8-15
Chicken Quarters	MED-LO	50-80
Breasts, boneless	MED	20-40
Fish Steaks ¾ - 1" (1.9-2.5 cm)	MED	10-15

Griddle (on some models)



A. Griddle
B. Drip tray

The griddle, made of brushed, cold-rolled steel, is similar to those used in commercial kitchens. The griddle is packaged with a protective grease coating covered with paper that must be removed completely with hot, soapy water. Rinse, dry, and season the griddle immediately after removing the protective coating or the griddle will rust. See the “General Cleaning” section for more information.

- It is normal for the griddle to darken with use.
- Do not place any pots or pans on the seasoned griddle to keep food warm.
- The griddle must be level to operate properly.
- Do not pour cold water on a hot griddle. This may warp the griddle, producing an uneven cooking surface.

To Season or Reseason the Griddle:

Seasoning the griddle is important because it keeps food from sticking during cooking and averts rusting.

1. Pour 1 tsp (5 mL) of vegetable oil onto the center of the griddle and spread evenly over the entire surface with a paper towel. Do not use corn or olive oil.
2. Push in and turn knob to 350°F (177°C) setting. When the oil begins to smoke, turn the control knob to the OFF position and allow the griddle to cool. Wipe off excess oil with a paper towel.

3. Apply a thin layer of vegetable oil to the entire surface of the griddle. The griddle is now ready to use.
4. After each use, reseason the griddle using steps 1 through 3.
5. The griddle can be used without additional vegetable oil after it has been properly seasoned.

Using the Griddle:

1. Position the drip tray under the front edge of the griddle to catch grease and food residue.
2. Push in and turn the control knob to desired temperature.
3. Allow 10 to 15 minutes for the griddle to preheat to the temperature selected.
4. Place food on the griddle and cook to desired doneness.

After Each Use:

1. Turn the griddle off and let cool. Rinse griddle with ½ cup (125 mL) hot, soapy water.
2. Scrape griddle residue into drip tray.
3. Remove and clean the drip tray and the area below. Use care when tipping the drip tray so that the contents are not spilled when removing.
4. Rinse griddle with ½ cup (125 mL) hot water. Dry griddle and drip tray with paper towel to remove excess grease and oil.

GRIDDLE CHART

The settings and times are guidelines only and may need to be adjusted for individual tastes.

FOOD	SETTING	COOK TIME TOTAL MINUTES
Sausage Patties and Links	325°F (163°C)	12-18
Bacon Slices	350°F (177°C)	7-11
Ham Steak (fully cooked)	325°F (163°C)	5-7
Ground Meat Patties	350°F (177°C)	10-15
Frankfurters and Precooked Sausages	325°F (163°C)	8-15
Fish Steaks, Fillets	325°F (163°C)	8-15
Eggs	300°F (149°C)	3-5
Hash Brown Potatoes	400°F to 425°F (204°C to 218°C)	8-12
French Toast	350°F (177°C)	5-7
Pancakes	350°F (177°C)	2-4
Grilled Sandwiches	325°F (163°C)	3-5

Home Canning

When canning for long periods, alternate the use of surface burners between batches. This allows time for the most recently used areas to cool.

- Center the canner on the grate.
- Do not place canner on 2 surface burners at the same time.
- For more information, contact your local agricultural department. Companies that manufacture home canning products can also offer assistance.

Cookware

IMPORTANT: Do not leave empty cookware on a hot surface cooking area, element or surface burner.

Ideal cookware should have a flat bottom, straight sides, and a well-fitting lid and the material should be of medium-to-heavy thickness.

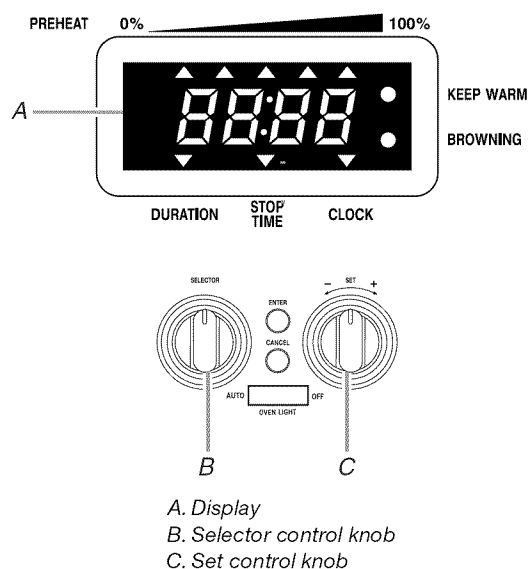
Rough finishes may scratch the cooktop. Aluminum and copper may be used as a core or base in cookware. However, when used as a base they can leave permanent marks on the cooktop or grates.

Cookware material is a factor in how quickly and evenly heat is transferred, which affects cooking results. A nonstick finish has the same characteristics as its base material. For example, aluminum cookware with a nonstick finish will take on the properties of aluminum.

Use the following chart as a guide for cookware material characteristics.

COOKWARE	CHARACTERISTICS
Aluminum	<ul style="list-style-type: none"> ■ Heats quickly and evenly. ■ Suitable for all types of cooking. ■ Medium or heavy thickness is best for most cooking tasks.
Cast iron	<ul style="list-style-type: none"> ■ Heats slowly and evenly. ■ Good for browning and frying. ■ Maintains heat for slow cooking.
Ceramic or Ceramic glass	<ul style="list-style-type: none"> ■ Follow manufacturer's instructions. ■ Heats slowly, but unevenly. ■ Ideal results on low to medium heat settings.
Copper	<ul style="list-style-type: none"> ■ Heats very quickly and evenly.
Earthenware	<ul style="list-style-type: none"> ■ Follow manufacturer's instructions. ■ Use on low heat settings.
Porcelain enamel-on-steel or cast iron	<ul style="list-style-type: none"> ■ See stainless steel or cast iron.
Stainless steel	<ul style="list-style-type: none"> ■ Heats quickly, but unevenly. ■ A core or base of aluminum or copper on stainless steel provides even heating.

ELECTRONIC OVEN CONTROL



First Use/Power Interruption

When power is first supplied to the appliance, "PF" will appear. If "PF" appears at any other time, a power failure has occurred. Turn the SELECTOR control knob to the RESET position, press the ENTER button, and follow the clock setting instructions in the "Clock" section.

Selector and Set Control Knobs

All cooking functions are set with the SELECTOR control knob. The selected function will automatically begin with current settings after 10 seconds if other settings are not changed. Once a cycle is complete, turn the SELECTOR control knob to the RESET position to select a new function.

All temperature or time adjustments are set with the SET control knob. All temperature adjustments are displayed in 5°F (3°C) increments.

The speed with which the knob is turned is reflected on the display.

Enter and Cancel

The ENTER button begins any oven function.

The CANCEL button stops any oven function except for the Clock/Time of Day. After canceling an operation, "End" will be displayed to show the function was canceled.

The cooling fan might continue operating after a function has ended, but will shut off automatically when the oven has cooled.

Clock

This is a 12-hour clock and does not show a.m. or p.m.

To Set:

1. Turn the SELECTOR knob to the RESET position.
2. Press the ENTER button until the display shows "12:00" and the CLOCK indicator is blinking.
3. Turn the SET knob to set the time of day.
4. Press the ENTER button to accept time on display.

To Change: Repeat steps 2-4 to change time of day to the display.

OVEN USE

Odors and smoke are normal when the oven is used the first few times, or when it is heavily soiled.

IMPORTANT: The health of some birds is extremely sensitive to the fumes given off. Exposure to the fumes may result in death to certain birds. Always move birds to another closed and well-ventilated room.

Aluminum Foil

IMPORTANT: To avoid permanent damage to the oven bottom finish, do not line the oven bottom with any type of foil, liners or cookware.

- Do not cover entire rack with foil because air must be able to move freely for best cooking results.
- To catch spills, place foil on rack below dish. Make sure foil is at least ½" (1.3 cm) larger than the dish and that it is turned up at the edges.

Positioning Racks and Bakeware

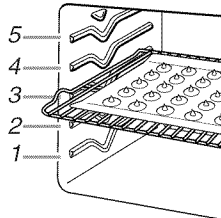
IMPORTANT: To avoid permanent damage to the porcelain finish, do not place food or bakeware directly on the oven door or bottom.

RACKS

NOTES:

- Position racks before turning on the oven.
- Do not position racks with bakeware on them.
- Make sure racks are level.

To move a rack, pull it out to the stop position, raise the front edge, then lift out. Use the following illustration and charts as a guide.



Traditional Cooking

FOOD	RACK POSITION*
Large roasts, turkeys, angel food, bundt cakes, quick breads, pies	1 or 2
Yeast breads, casseroles, meat and poultry	2
Cookies, biscuits, muffins, cakes	2 or 3

*On models with the CleanBake™ feature, foods may be placed on a lower rack position.

Convection Cooking

OVEN SETTING	NUMBER OF RACKS USED	RACK POSITION(S)
Convection Bake	1	1, 2 or 3
Convection Bake	2	2 and 4
Convection Bake	3	1, 3 and 5
Convection Roast	1	1, 2 or 3
Convection Broil	1	3 or 4

BAKEWARE

To cook food evenly, hot air must be able to circulate. Allow 1" (2.5 cm) of space around bakeware and oven walls. Use the following chart as a guide.

NUMBER OF PAN(S)	POSITION ON RACK
1	Center of rack.
2	Side by side or slightly staggered.
3 or 4	Opposite corners on each rack. Make sure that no bakeware piece is directly over another.

Bakeware

The bakeware material affects cooking results. Follow manufacturer's recommendations and use the bakeware size recommended in the recipe. Use the following chart as a guide.

BAKEWARE/ RESULTS	RECOMMENDATIONS
Light colored aluminum <ul style="list-style-type: none"> ■ Light golden crusts ■ Even browning 	<ul style="list-style-type: none"> ■ Use temperature and time recommended in recipe.
Dark aluminum and other bakeware with dark, dull and/or nonstick finish <ul style="list-style-type: none"> ■ Brown, crisp crusts 	<ul style="list-style-type: none"> ■ May need to reduce baking temperatures 25°F (15°C). ■ Use suggested baking time. ■ For pies, breads and casseroles, use temperature recommended in recipe. ■ Place rack in center of oven.
Insulated cookie sheets or baking pans <ul style="list-style-type: none"> ■ Little or no bottom browning 	<ul style="list-style-type: none"> ■ Place in the bottom third of oven. ■ May need to increase baking time.
Stainless steel <ul style="list-style-type: none"> ■ Light, golden crusts ■ Uneven browning 	<ul style="list-style-type: none"> ■ May need to increase baking time.

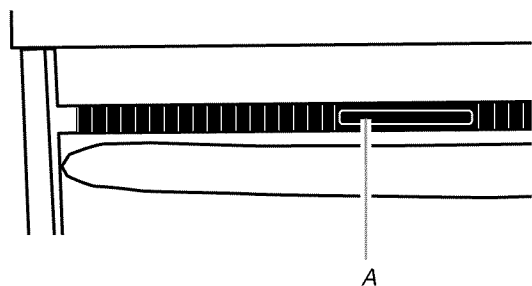
BAKEWARE/ RESULTS	RECOMMENDATIONS
Stoneware/Baking stone <ul style="list-style-type: none"> ■ Crisp crusts 	<ul style="list-style-type: none"> ■ Follow manufacturer's instructions.
Ovenproof glassware, ceramic glass or ceramic <ul style="list-style-type: none"> ■ Brown, crisp crusts 	<ul style="list-style-type: none"> ■ May need to reduce baking temperatures 25°F (15°C).

Meat Thermometer

On models without a temperature probe, use a meat thermometer to determine doneness of meat, poultry and fish. The internal temperature, not appearance, should be used to determine doneness. A meat thermometer is not supplied with this appliance.

- Insert the thermometer into the center of the thickest portion of the meat or inner thigh or breast of poultry. The tip of the thermometer should not touch fat, bone or gristle.
- After reading the thermometer once, push it into the meat ½" (1.3 cm) more and read again. If the temperature drops, cook the meat or poultry longer.
- Check all meat, poultry and fish in 2 or 3 different places.

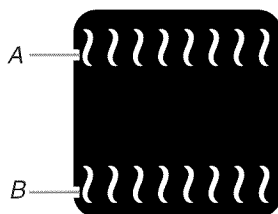
Oven Vent



A. Oven vent

The oven vent should not be blocked or covered since it allows the release of hot air and moisture from the oven. Blocking or covering the vent will cause poor air circulation, affecting cooking and cleaning results. Do not set plastics, paper or other items that could melt or burn near the oven vent.

Bake



A. Broil element (example only)
B. Bake element (example only)

The BAKE function is ideal for baking, roasting or heating casseroles.

During baking or roasting, the bake and broil elements will cycle on and off in intervals to maintain oven temperature.

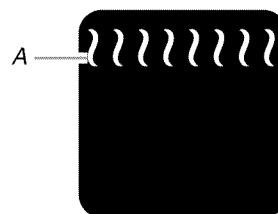
If the oven door is opened during baking or roasting, the broil and bake elements will turn off immediately. They will come back on once the door is closed.

To Bake or Roast:

Before baking and roasting, position racks according to the "Positioning Racks and Bakeware" section. When roasting, it is not necessary to wait for the oven to preheat before putting food in, unless recommended in the recipe.

1. Turn the SELECTOR knob to BAKE.
The display will read 350°F (177°C).
2. Turn the SET knob to desired temperature.
The bake range can be set between 170°F and 500°F (77°C and 260°C).
3. Press the ENTER button to start, or after 10 seconds, the function will start automatically.
4. Turn the SELECTOR knob to the RESET position when finished cooking.

Broil



A. Broil element (example only)

Broiling uses direct radiant heat to cook food. Changing the temperature when broiling allows more precise control when cooking. The lower the temperature, the slower the cooking. Thicker cuts and unevenly shaped pieces of meat, fish and poultry may cook better at lower broiling temperatures.

- Use only the broiler pan and grid provided with the range. It is designed to drain juices and help avoid spatter and smoke.
- For proper draining, do not cover the grid with foil. The bottom of the pan may be lined with aluminum foil for easier cleaning.
- Trim excess fat to reduce spattering. Slit the remaining fat on the edges to avoid curling.
- Pull out oven rack to stop position before turning or removing food. Use tongs to turn food to avoid the loss of juices. Very thin cuts of fish, poultry or meat may not need to be turned.
- After broiling, remove the pan from the oven when removing the food. Drippings will bake on the pan if left in the heated oven, making cleaning more difficult.

Before broiling, position rack according to Broiling chart. It is not necessary to preheat the oven before putting food in unless recommended in the recipe. Position food on grid in the broiler pan, then place it in the center of the oven rack.

To Broil:

1. Close the door.
2. Turn the SELECTOR knob to BROIL.
"HI" will appear on the display
3. Turn the SET knob to the desired broil level.
4. Press the ENTER button to start, or after 10 seconds, the function will start automatically.
5. Turn the SELECTOR knob to the RESET position when finished cooking.

Broil Settings

Use the following chart when setting broiling levels and broiling temperatures.

BROIL LEVEL	BROIL PERCENTAGE	BROIL TEMPERATURE
HI	100	500°F (260°C)
Br4	90	450°F (232°C)
Br3	80	400°F (204°C)
Br2	70	350°F (177°C)
LOW	60	300°F (149°C)

BROILING CHART

For best results, place food 3" (7 cm) or more from the broil burner. Times are guidelines only and may need to be adjusted for individual tastes. Recommended rack positions are numbered from the bottom (1) to the top (5). For diagram, see the "Positioning Racks and Bakeware" section.

FOOD	RACK POSITION	BROIL LEVEL	TOTAL TIME (min.)
Steak			
1" (2.5 cm) thick			
medium rare	4	HI	21-23
medium	4	HI	23-25
well-done	4	HI	27-29
Ground meat patties*			
¾" (2 cm) thick			
well-done	4	HI	20-22
Pork chops			
1" (2.5 cm) thick	4	HI	30-33
Lamb chops			
1" (2.5 cm) thick	4	HI	22-26
Chicken			
bone-in pieces	3	HI	34-40
boneless breasts	4	HI	22-32
Fish			
Filletts			
¼-½" (0.6-1.3 cm) thick	4	HI	12-15
Steaks			
¾-1" (2-2.5 cm) thick	4	HI	24-27

*Place up to 9 patties, equally spaced, on broiler grid.

Convection Cooking

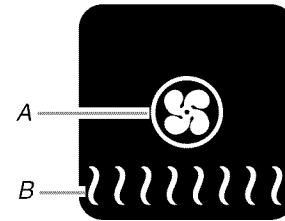
In a convection oven, the fan-circulated hot air continually distributes heat more evenly than the natural movement of air in a standard thermal oven. This movement of hot air maintains a consistent temperature throughout the oven, cooking foods more evenly, crisping surfaces while sealing in moisture and yielding crustier breads.

Most foods can be cooked by lowering cooking temperatures 25°F to 50°F (14°C to 28°C) and cooking time can be shortened by as much as 30 percent, especially for large turkeys and roasts.

- It is important not to cover foods so that surface areas remain exposed to the circulating air, allowing browning and crisping.
- Keep heat loss to a minimum by opening the oven door only when necessary.

- Choose cookie sheets without sides and roasting pans with lower sides to allow air to move freely around the food.
- Test baked goods for doneness a few minutes before the minimum cooking time with an alternative method such as using a toothpick.
- Use a meat thermometer or the temperature probe to determine the doneness of meats and poultry. Check the temperature of pork and poultry in two or three places.

Convection Bake



A. Convection element heat and fan (example only)

B. Bake element (example only)

Convection baking can be used for baking delicate cakes and pastries, as well as foods on multiple racks. It is helpful to stagger items on the racks to allow a more even flow of heat. If the oven is full, extra cooking time may be needed.

When cooking an oven meal with several different types of foods, be sure to select recipes that require similar temperatures. Cookware should sit in the oven with at least 1" (2.5 cm) of space between the cookware and the sides of the oven.

During convection bake preheating, the bake and convection elements heat the oven cavity. After preheat, the convection element and the bake element will cycle on and off in intervals to maintain oven temperature, while the fan constantly circulates the hot air.

If the oven door is opened during convection baking or preheating, the bake and convection elements and fan will turn off immediately. They will come back on once the door is closed.

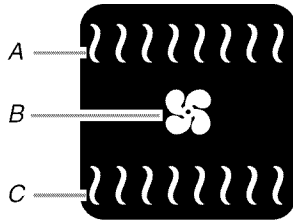
- Reduce recipe temperature 25°F (14°C). The cook time may need to be reduced also.

To Convection Bake:

Before convection baking, position racks according to the "Positioning Racks and Bakeware" section. When using two racks, place on guides 2 and 4. When using three racks, place on guides 1, 3 and 5.

1. Turn the SELECTOR knob to CONVECT BAKE.
The display will show 325°F (163°C).
2. Turn the SET knob to desired temperature.
The convection bake range can be set between 170°F and 500°F (77°C and 260°C).
3. Press the ENTER button to start, or after 10 seconds, the function will start automatically.
4. Turn the SELECTOR knob to the RESET when finished cooking.

Convection Roast



A. Broil element (example only)
B. Convection fan (example only)
C. Bake element (example only)

Convection roasting can be used for roasting meats and poultry, or for baking yeast breads and loaf cakes using a single rack. During convection roasting, the bake and broil elements will cycle on and off in intervals to maintain oven temperature, while the fan constantly circulates the hot air.

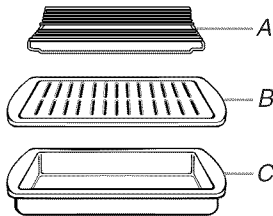
If the oven door is opened during convection roasting, the broil and bake elements and fan will turn off immediately. They will come back on once the door is closed.

- Reduce recipe temperature 25°F (14°C). The cook time may need to be reduced also.

To Convection Roast:

Before convection roasting, position racks according to the "Positioning Racks and Bakeware" section. It is not necessary to wait for the oven to preheat before putting food in, unless recommended in the recipe.

Use the roasting rack on top of the broiler pan and grid. This holds the food above the grid and allows air to circulate completely around all surfaces.



A. Roasting rack
B. Broiler grid
C. Broil pan

1. Turn the SELECTOR knob to CONVECT ROAST. The display will read 300°F (149°C).
2. Turn the SET knob to desired temperature. The convection roast range can be set between 170°F and 500°F (77°C and 260°C).
3. Press the ENTER button to start, or after 10 seconds, the function will start automatically.
4. Turn the SELECTOR knob to the RESET position when finished cooking.

CONVECTION ROASTING CHART

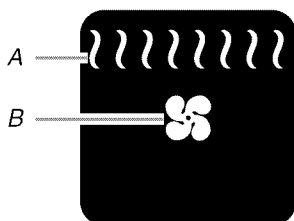
Use the following chart below when convection roasting meats and poultry.

FOOD/RACK POSITION	COOK TIME (minutes per 1 lb)	OVEN TEMP.	INTERNAL FOOD TEMP.
Beef, Rack Position 2			
Rib Roast			
rare	20-25	300°F (149°C)	140°F (60°C)
medium	25-30		160°F (71°C)
well-done	30-35		170°F (77°C)
Rib Roast (boneless)			
rare	22-25	300°F (149°C)	140°F (60°C)
medium	27-30		160°F (71°C)
well-done	32-35		170°F (77°C)
Rump, Sirloin Tip Roast			
rare	20-25	300°F (149°C)	140°F (60°C)
medium	25-30		160°F (71°C)
well-done	30-35		170°F (77°C)
Meat Loaf	20-25	325°F (160°C)	170°F (77°C)
Veal, Rack Position 2			
Loin, Rib, Rump Roast			
medium	25-35	325°F (160°C)	160°F (71°C)
well-done	30-40		170°F (77°C)
Pork, Rack Position 2			
Loin Roast (boneless)	30-40	325°F (160°C)	170°F (77°C)
Shoulder Roast	35-40	325°F (160°C)	170°F (77°C)
Ham, Rack Position 2			
Fresh (uncooked)	25-35	300°F (149°C)	170°F (77°C)
Fully Cooked	15-20	300°F (149°C)	170°F (77°C)
Lamb, Rack Position 2			
Leg, Shoulder Roast			
medium	25-30	300°F (149°C)	160°F (71°C)
well-done	30-35		170°F (77°C)
Chicken*, Rack Position 2			
Whole			
3-5 lbs (1.5-2.2 kg)	20-25	325°F (160°C)	185°F (85°C)
5-7 lbs (2.2-3.1 kg)	15-20	325°F (160°C)	185°F (85°C)

FOOD/RACK POSITION	COOKTIME (minutes per 1 lb)	OVEN TEMP.	INTERNAL FOOD TEMP.
Turkey*, Rack Positions 1 or 2			
13 lbs and under (5.85 kg)	10-15	300°F (149°C)	185°F (85°C)
Over 13 lbs (5.85 kg)	10-12	300°F (149°C)	185°F (85°C)
Cornish Game Hens*, Rack Position 2 or 3			
1-1.5 lbs (0.5-0.7 kg)	50-60	325°F (160°C)	185°F (85°C)

*Do not stuff poultry when convection roasting.

Convection Broil



A. Broil element (example only)
B. Fan (example only)

During convection broiling, the broil element will cycle on and off in intervals to maintain oven temperature, while the fan constantly circulates the hot air.

The temperature is preset at 500°F (260°C), which is “HI,” but can be changed to a different temperature. Cooking times will vary depending on the rack position and temperature and may need to be adjusted.

If the oven door is opened during convection broiling, the broil element and fan will turn off immediately. They will come back on once the door is closed.

To Convection Broil:

Before convection broiling, see “Broil” section for general broiling guidelines. Position rack.

Allow the oven to preheat for 5 minutes. Position food on the unheated grid on the broiler pan, then place it in the center of the oven rack with the longest side parallel to the door.

1. Close the door.
2. Turn the SELECTOR knob to CONVECT BROIL.
The display will show “HI.”
3. Turn the SET knob to the desired convection broil level.
4. Press the ENTER button to start, or after 10 seconds, the function will start automatically.
5. Turn the SELECTOR knob to the RESET position when finished cooking.

Proofing Bread

Proofing bread prepares the dough for baking by activating the yeast. Follow your recipe recommendation.

To Proof:

Before first proofing, place the dough in a lightly greased bowl and cover loosely with wax paper, coated with shortening. Place on rack guide two, then place broiler pan on guide one. See “Positioning Racks and Bakeware” for diagram. Put 2 cups (500 mL) of boiling water in the broiler pan. Close the door.

1. Turn the SELECTOR knob to PROOF/KEEP WARM.
The display will show 100°F (38°C).
2. Press the ENTER button to start, or after 10 seconds, the function will start automatically.

Let the dough rise until nearly doubled in size, checking after 20-25 minutes. Proofing time may vary depending on dough type and quantity.

3. Turn the SELECTOR knob to the RESET position when finished.

Before second proofing, shape the dough, place it in baking pan(s) and cover loosely with plastic wrap, coated with cooking spray. Follow the same placement, broiler pan and water and control steps above. Before baking, remove the plastic wrap.

To Bake:

1. Turn the SELECTOR knob to BREAD BAKING.
The display will read 430°F (221°C).
2. Turn the SET knob to the desired preheat temperature.
The preheat temperature setting is adjustable between 430°F and 390°F (221°C and 199°C).
3. Press the ENTER button to start, or after 10 seconds, the function will start automatically.
Once the oven reaches preheat, a single tone will sound and the oven display will show 40°F (22°C) below the preheat temperature setting of 350°F-390°F (177°C-199°C).
4. Turn the SELECTOR knob to the RESET position when finished.

Keep Warm

⚠ WARNING

Food Poisoning Hazard

Do not let food sit in oven more than one hour before or after cooking.

Doing so can result in food poisoning or sickness.

The Keep Warm function allows hot cooked foods to stay warm before serving. It can also be used at the end of a timed cook. (See “Timed Cooking” section.)

To Use:

1. Turn the SELECTOR knob to PROOF/KEEP WARM.
2. Adjust SET knob to 170°F (77°C).
3. Press ENTER button to start, or after 10 seconds, the function will start automatically.
4. Turn the SELECTOR knob to the RESET position when finished.

Timed Cooking

! WARNING

Food Poisoning Hazard

Do not let food sit in oven more than one hour before or after cooking.

Doing so can result in food poisoning or sickness.

Timed Cooking allows the oven to be set to turn on at a certain time of day, cook for a set length of time, and/or shut off automatically. Delay start should not be used for food such as breads and cakes because they may not bake properly.

If there is a pause of 20 seconds between any of the following steps, the function will automatically begin with the current settings.

To Set a Cook Time:

1. Turn the SELECTOR knob to the desired cook function.
2. Turn the SET knob to the desired temperature.
3. Press the ENTER button twice. The DURATION indicator will flash and “-0:00” will show on the display.
4. Turn the SET knob to set the length of time to cook.
5. Press the ENTER button again to view the stop time. To set a different stop time, turn the SET knob.

6. Press the ENTER button. Proceed to next section for Browning function, or Timed Cooking will automatically begin in 20 seconds.

To Use the Browning Function (available in Bake, Convection Bake, and Convection Roast):

After completing the Cook Time setting steps above, the browning light will blink. Turn the SET knob to “brn1,” “brn2,” or “brn3.” (Select “brn0” to cancel browning function.) Press the ENTER button, and the browning light will glow (if selected). Proceed to next section, or timed Cooking will automatically begin in 20 seconds.

To Use the Keep Warm Function:

After completing the Cook Time and Browning Function setting steps above, the Keep Warm light will blink. Turn the SET knob to choose a Keep Warm temperature of 170°F (77°C), or “---F” to cancel the Keep Warm function. Press the ENTER button, and the Keep Warm light will glow (if selected).

When END appears in the display and the oven beeps, the Timed Cooking function is complete. Turn the SELECTOR knob to the RESET position.

To Cancel Duration, Stop Time, Browning and Keep Warm Functions:

Turn the SELECTOR knob to the RESET position or press the CANCEL button.

RANGE CARE

Self-Cleaning Cycle (on some models)

! WARNING



Burn Hazard

Do not touch the oven during the Self-Cleaning cycle.

Keep children away from oven during Self-Cleaning cycle.

Failure to follow these instructions can result in burns.

IMPORTANT: The health of some birds is extremely sensitive to the fumes given off during the Self-Cleaning cycle. Exposure to the fumes may result in death to certain birds. Always move birds to another closed and well-ventilated room.

Self-clean the oven before it becomes heavily soiled. Heavy soil results in longer cleaning and more smoke.

Keep the kitchen well-ventilated during the Self-Cleaning cycle to help get rid of heat, odors, and smoke.

Do not block the oven vent(s) during the Self-Cleaning cycle. Air must be able to move freely. Depending on your model, see “Oven Vent” or “Oven Vents” section.

Do not clean, rub, damage or move the oven door gasket. The door gasket is essential for a good seal.

Prepare Oven:

- Remove the broiler pan, grid, cookware and bakeware and, on some models, the temperature probe from the oven.
- Remove any foil from the oven because it may burn or melt, damaging the oven.
- Remove oven racks to keep them shiny and easy to slide. See “General Cleaning” section for more information.
- Hand clean inside door edge and the 1½" (3.8 cm) area around the inside oven cavity frame, being certain not to move or bend the gasket. This area does not get hot enough during self-cleaning to remove soil. Do not let water, cleaner, etc. enter slots on door frame. Use a damp cloth to clean this area.
- Wipe out any loose soil to reduce smoke and avoid damage. At high temperatures, foods react with porcelain. Staining, etching, pitting or faint white spots can result. This will not affect cooking performance.

How the Cycle Works

IMPORTANT: The heating and cooling of porcelain on steel in the oven may result in discoloring, loss of gloss, hairline cracks and popping sounds.

The Self-Cleaning cycle uses very high temperatures, burning soil to a powdery ash.

The oven is preset for a 3 hour 30 minute clean cycle.

Once the oven has completely cooled, remove ash with a damp cloth. Do not wipe down any of the inside surfaces until the oven has completely cooled down. Applying a cool damp cloth to the inner door glass before it has cooled completely could result in the glass breaking.

The oven light will not work during the Self-Cleaning cycle.

To Self-Clean:

Before self-cleaning, make sure the door is closed completely or it will not lock and the cycle will not begin.

1. Turn the SELECTOR knob to CLEAN.
2. Turn the SET knob to "On."
3. Press the ENTER button to start a preset non-adjustable 3 hour 30 minute cycle.

REMEMBER: On double oven models only, when one oven cavity is in self-cleaning cycle the other oven cannot be used.

To Delay Start Self-Clean:

Before delay starting Self-Clean, make sure the clock is set to the correct time of day. See "Clock" section. Also, make sure the door is closed completely or it will not lock and the cycle will not begin.

1. Turn the SELECTOR knob to CLEAN.
2. Turn the SET knob to "On."
3. Press the ENTER button to start a preset non-adjustable 3 hour 30 minute cycle.
4. Press the ENTER button twice.
The time the cycle will end is displayed and the STOP TIME LED will blink.
5. Turn the SET knob to STOP TIME.
6. Press the ENTER button.
The DURATION and STOP TIME arrow will glow.

To Stop Self-Clean anytime:

Turn the SELECTOR knob to the RESET position or press the CANCEL button. If the oven temperature is too high, the door will remain locked. It will not unlock until the oven cools.

General Cleaning

IMPORTANT: Before cleaning, make sure all controls are off and the oven and cooktop are cool. Always follow label instructions on cleaning products.

Soap, water and a soft cloth or sponge are suggested first unless otherwise noted.

EXTERIOR PORCELAIN ENAMEL SURFACES

Food spills containing acids, such as vinegar and tomato, should be cleaned as soon as the entire appliance is cool. These spills may affect the finish.

Cleaning Method:

- Glass cleaner, mild liquid cleaner or nonabrasive scrubbing pad:
Gently clean around the model and serial number plate because scrubbing may remove numbers.

STAINLESS STEEL

Do not use soap-filled scouring pads, abrasive cleaners, Cooktop Polishing Creme, steel-wool pads, gritty washcloths or some paper towels. Damage may occur.

Rub in direction of grain to avoid damaging.

Cleaning Method:

- KitchenAid® Stainless Steel Cleaner & Polish Part Number 4396920 (not included)
See "Assistance or Service" section to order.
- Liquid detergent or all-purpose cleaner:
Rinse with clean water and dry with soft, lint-free cloth.
- Vinegar for hard water spots

PORCELAIN-COATED GRATES AND CAPS

Food spills containing acids, such as vinegar and tomato, should be cleaned as soon as the cooktop, grates and caps are cool. These spills may affect the finish.

To avoid chipping, do not bang grates and caps against each other or hard surfaces such as cast iron cookware.

Do not reassemble caps on burners while wet.

Do not clean in the Self-Cleaning cycle.

Do not clean in dishwasher.

Cleaning Method:

- Nonabrasive plastic scrubbing pad and mildly abrasive cleanser:
Clean as soon as cooktop, grates and caps are cool.

SURFACE BURNERS

Sealed Burner models

See "Sealed Surface Burners" section.

COOKTOP CONTROLS

Do not use steel wool, abrasive cleansers or oven cleaner.

Do not soak knobs.

When replacing knobs, make sure knobs are in the OFF position.

On some models, do not remove seals under knobs.

NOTE: When replacing knobs after cleaning either the surface burner controls or the grill module control, make sure the knobs are replaced to the correct location. For example, the knobs for the surface burner controls will read "LITE," while the knob for the grill will read "LITE/Hi."

Cleaning Method:

- Soap and water or dishwasher:
Pull knobs straight away from control panel to remove.

CONTROL PANEL

Do not use abrasive cleaners, steel-wool pads, gritty washcloths or some paper towels. Damage may occur.

Cleaning Method:

- Soap and water:
Wash, rinse and dry with a soft cloth.
- Glass cleaner and soft cloth or sponge:
Apply glass cleaner to soft cloth or sponge, not directly on panel.

SIMMER PLATE AND GRIDDLE PLATE

Do not clean in dishwasher.

Cleaning Method:

- Liquid detergent and water.
Wipe with damp cloth or sponge then rinse with clean water and wipe dry.
- Mild-abrasive cleanser
Rub in the direction of the grain lines with a damp cloth or sponge. Rinse thoroughly. Repeat if necessary.

OVEN DOOR EXTERIOR

Cleaning Method:

- Glass cleaner and paper towels or nonabrasive plastic scrubbing pad:
Apply glass cleaner to soft cloth or sponge, not directly on panel.

OVEN CAVITY

Do not use oven cleaners.

Food spills should be cleaned when oven cools. At high temperatures, foods react with porcelain and staining, etching, pitting or faint white spots can result.

Cleaning Method:

- Self-Cleaning cycle:
See “Self-Cleaning Cycle” first.

OVEN RACKS AND ROASTING RACKS

Cleaning Method:

- Self-Cleaning cycle:
See “Self-Cleaning Cycle” first. Remove racks or they will discolor and become harder to slide. If this happens, a light coating of vegetable oil applied to the rack guides will help them slide.
- Steel-wool pad

BROILER PAN AND GRID

Do not clean in the Self-Cleaning cycle.

Cleaning Method:

- Mildly abrasive cleanser:
Scrub with wet scouring pad.
- Solution of ½ cup (125 mL) ammonia to 1 gal (3.75 L) water:
Soak for 20 minutes, then scrub with scouring or steel-wool pad.
- Oven cleaner:
Follow product label instructions.

Porcelain enamel only, not chrome

- Dishwasher

GRILL MODULE

For more information, see “Grill” section.

Do not use oven cleaners, metal brushes, abrasive scouring pads or other scrubbers made to clean outdoor grills.

Cleaning Method:

Grill Grate

Do not clean grill grate in dishwasher.

Do not clean in a self-cleaning oven.

- Clean the grill grate shortly after cooking is completed and the burner has been turned off.
- While still warm, use a soft bristle barbecue brush to scrub the grill grate. Oven mitts may be worn while cleaning.
- For thorough cleaning of the grill grate, soak in warm, soapy water for 30 minutes. After soaking, scrub with nonabrasive pad.

Wave Tray and Wave Plate

- Soak in warm, soapy water to loosen soil. After soaking, scrub with a nonabrasive pad.

Burner Assembly

Do not soak in water.

- Soap and water or nonabrasive cleanser.
- Damp cloth or nonabrasive pad.

Front Spill Guard and Drip Tray

Allow cooktop to cool completely before cleaning.

- Soap and water or nonabrasive cleanser.
- Damp cloth or nonabrasive pad.

Module Basin

- Warm, soapy water.
- Nonabrasive pad or sponge.
- For heavy soil, soak paper towels in household cleanser and lay them on the soil for at least 30 minutes. After soaking, scrub with a nonabrasive pad.

GRIDDLE MODULE

Clean the griddle shortly after removing food and the griddle has cooled down.

Cleaning Method:

- To clean the surface, use a pumice stone or cleaning screen. To avoid damaging the surface, always rub in the direction of the polish lines. A pumice stone or cleaning screen can be purchased at a food service restaurant supply or specialty cooking store.
- Hot, soapy water and/or plastic scrub pad.
- After cleaning, dry surface with a paper towel. To protect the finish and avoid rust, wipe the entire surface with a light film of vegetable oil.

Drip Tray and Area Under Tray

Allow cooktop to cool completely before cleaning.

Cleaning Method:

- Soap and water or nonabrasive cleanser.
- Damp cloth or nonabrasive pad.
- Dry completely before placing drip tray in position.

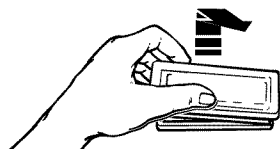
Oven Lights

The oven lights are 12-volt, 5-watt maximum halogen bulbs. They will come on when the oven door is opened. On double oven models, both upper and lower lights will come on when either door is opened. The oven lights will not work during the Self-Cleaning cycle. When the oven door is closed, press OVEN LIGHT to turn light on or off.

To Replace:

Before replacing, make sure the oven is off and cool.

1. Disconnect power.
2. Remove glass light cover by grasping the front edge and pulling away from oven.



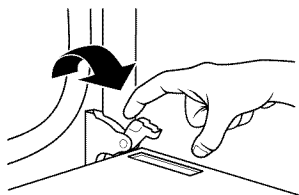
3. Remove bulb from socket.
4. Replace bulb, using tissue or wearing cotton gloves to handle bulb. Do not touch bulb with bare fingers.
5. Replace bulb cover by snapping back into wall.
6. Reconnect power.

Oven Door

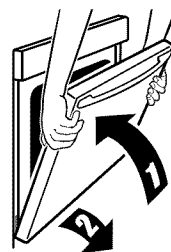
For normal range use, it is not suggested to remove the oven door. However, if removal is necessary, make sure the oven is off and cool. Then, follow these instructions. The oven door is heavy.

To Remove:

1. Open oven door all the way.
2. Flip up the hinge latch on each side.



3. Close the oven door as far as it will shut.
4. Lift the oven door while holding both sides.
Continue to push the oven door closed and pull it away from the oven door frame.



To Replace:

1. Insert both hanger arms into the door.



2. Open the oven door.
You should hear a “click” as the door is set into place.
3. Move the hinge levers back to the locked position. Check that the door is free to open and close. If it is not, repeat the removal and installation procedures.

TROUBLESHOOTING

Try the solutions suggested here first in order to avoid the cost of an unnecessary service call.

Nothing will operate

- **Has a household fuse blown, or has a circuit breaker tripped?**
Replace the fuse or reset the circuit breaker. If the problem continues, call an electrician.

Surface burners will not operate

- **Is this the first time the surface burners have been used?**
Turn on any one of the surface burner knobs to release air from the gas lines.
- **Is the control knob set correctly?**
Push in knob before turning to a setting.

- **Are the burner ports clogged?**
On sealed burner models, see “Sealed Surface Burners” section.

Surface burner flames are uneven, yellow and/or noisy

- **Are the burner ports clogged?**
On sealed burner models, see “Sealed Surface Burners” section.
- **On models with caps, are the burner caps positioned properly?**
See “Sealed Surface Burners” section.
- **Is propane gas being used?**
The appliance may have been converted improperly. Contact a trained repair specialist.

Surface burner makes popping noises

- **Is the burner wet?**
Let it dry.

Burner sparks but does not light

- **Is there continuous sparking, but the burner does not light?**
Discontinue use of the surface burner and contact a service technician.

Excessive heat around cookware on cooktop

- **Is the cookware the proper size?**
Use cookware about the same size as the surface cooking area, element or surface burner. Cookware should not extend more than ½" (1.3 cm) outside the cooking area.

Cooktop cooking results not what expected

- **Is the proper cookware being used?**
See "Cookware" section.
- **Is the control knob set to the proper heat level?**
See "Cooktop Controls" section.
- **Is the appliance level?**
Level the appliance. See the Installation Instructions.

Grill and Griddle results not what expected

- **Was the grill or griddle preheated?**
Preheat grill or griddle. See "Grill" or "Griddle" sections for more information.
- **Is there proper air circulation between foods?**
Space food evenly across the grill grates.
- **Are foods taking too long to cook?**
Partially frozen or very cold foods will increase cooking time. Thoroughly defrost foods.

Oven will not operate

- **Is the electronic oven control set correctly?**
See "Electronic Oven Control" section.

Cooling fan runs during baking, broiling or cleaning

- It is normal for the fan to automatically run while the oven is in use to cool the electronic control, and may run for up to 45 minutes after oven has been turned off.

Display shows messages

- **Is the display showing "PF," "PF id=27" or "PF id=30"?**
There has been a power failure. Clear the display. See "First Use/Power Interruption" section. On some models, reset the clock if needed. See "Clock" section.
- **Is the display showing a letter followed by a number?**
Clear the display. See "First Use/Power Interruption" section. If the display reappears, call for service.

Self-Cleaning Cycle will not operate

- **Is the oven door open?**
Close the oven door all the way.
- **Has the function been entered?**
See "Self-Cleaning Cycle" section.
- **On some models, has a delay start Self-Clean cycle been set?**
See "Self-Cleaning Cycle" section.
- **Has a delay start been set?**
See "Timed Cooking" section.
- **On double oven models, one of the two ovens will not operate?**
If one of the ovens are in a self-cleaning cycle, the second oven cannot be set to a clean function until the first oven has finished cleaning and has cooled.

Oven cooking results not what expected

- **Is the appliance level?**
Level the appliance. See the Installation Instructions.
- **Is the proper temperature set?**
Increase or decrease temperature 25°F (14°C).
- **Was the oven preheated?**
Wait for oven to preheat before placing food in oven.
- **Is the proper bakeware being used?**
See "Bakeware" section.
- **Are the racks positioned properly?**
See "Positioning Racks and Bakeware" section.
- **Is there proper air circulation around bakeware?**
See "Positioning Racks and Bakeware" section.
- **Is the batter evenly distributed in the pan?**
Make sure batter is level in the pan.
- **Is the proper length of time being used?**
Increase or decrease baking or roasting time.
- **Has the oven door been opened while cooking?**
Oven peeking releases oven heat and can result in longer cooking times.
- **Are baked items too brown on the bottom?**
Decrease oven temperature 15°F to 25°F (9°C to 14°C).
- **Are pie crust edges browning early?**
Use aluminum foil to cover the edge of the crust and/or reduce baking temperature.

ASSISTANCE OR SERVICE

Before calling for assistance or service, please check “Troubleshooting.” It may save you the cost of a service call. If you still need help, follow the instructions below.

When calling, please know the purchase date and the complete model and serial number of your appliance. This information will help us to better respond to your request.

If you need replacement parts

If you need to order replacement parts, we recommend that you use only factory specified parts. These factory specified parts will fit right and work right because they are made with the same precision used to build every new KITCHENAID® appliance.

To locate factory specified parts in your area, call us or your nearest KitchenAid designated service center.

In the U.S.A.

Call the KitchenAid Customer eXperience Center toll free: **1-800-422-1230**.

Our consultants provide assistance with:

- Features and specifications on our full line of appliances.
- Installation information.
- Use and maintenance procedures.
- Accessory and repair parts sales.
- Specialized customer assistance (Spanish speaking, hearing impaired, limited vision, etc.).
- Referrals to local dealers, repair parts distributors and service companies. KitchenAid designated service technicians are trained to fulfill the product warranty and provide after-warranty service, anywhere in the United States.

To locate the KitchenAid designated service company in your area, you can also look in your telephone directory Yellow Pages.

For further assistance

If you need further assistance, you can write to KitchenAid with any questions or concerns at:

KitchenAid Brand Home Appliances
Customer eXperience Center
553 Benson Road
Benton Harbor, MI 49022-2692

Please include a daytime phone number in your correspondence.

Accessories

Accessories U.S.A.

To order accessories, call the KitchenAid Customer eXperience Center toll free at **1-800-442-9991** and follow the menu prompts. Or visit our website at www.kitchenaid.com and click on “Shopping Options.” Go to “Replacement Parts & Accessories” and click on “applianceaccessories.com.” Portable appliances, bakeware, cookware, gadgets and textiles are also available.

Accessories List

KitchenAid® Stainless Steel Cleaner and Polish

(stainless steel models)

Order Part Number 4396920

KitchenAid® Stainless Steel Wipes

(stainless steel models)

Order Part Number 8212510

Cooktop Cleaner

(porcelain or glass cooktop surfaces)

Order Part Number 31464

Cooktop Protectant

(porcelain or glass cooktop surfaces)

Order Part Number 31463

Gas Grate/Drip Pan Cleaner

Order Part Number 31617

Brick Baking Stone

Order Part Number 4378577

In Canada

Call the KitchenAid Canada Customer Interaction Centre toll free: **1-800-807-6777**.

Our consultants provide assistance with:

- Features and specifications on our full line of appliances.
- Use and maintenance procedures.
- Accessory and repair parts sales.
- Referrals to local dealers, repair parts distributors and service companies. KitchenAid Canada designated service technicians are trained to fulfill the product warranty and provide after-warranty service, anywhere in Canada.

For further assistance

If you need further assistance, you can write to KitchenAid Canada with any questions or concerns at:

Customer Interaction Centre
KitchenAid Canada
1901 Minnesota Court
Mississauga, Ontario L5N 3A7

Please include a daytime phone number in your correspondence.

KITCHENAID® DUAL FUEL RANGE WARRANTY

ONE YEAR LIMITED WARRANTY

For one year from the date of purchase, when this major appliance is operated and maintained according to instructions attached to or furnished with the product, KitchenAid or KitchenAid Canada (hereafter "KitchenAid") will pay for factory specified parts and repair labor to correct defects in materials or workmanship. Service must be provided by a KitchenAid designated service company.

SECOND THROUGH FIFTH YEAR LIMITED WARRANTY ON CERTAIN COMPONENT PARTS

In the second through fifth years from the date of purchase, when this appliance is operated and maintained according to instructions attached to or furnished with the product, KitchenAid or KitchenAid Canada will pay for factory specified parts for the following components if defective in materials or workmanship:

- Electric elements
 - Gas burners
 - Solid state touch control system parts
-

SECOND THROUGH TENTH YEAR LIMITED WARRANTY ON STEAM-ASSIST OVEN CAVITY AND DOORS

In the second through tenth years from date of purchase, when this major appliance is operated and maintained according to instructions attached to or furnished with the product, KitchenAid will pay for factory specified parts for the porcelain oven cavity/inner door if the part rusts through due to defects in materials or workmanship.

ITEMS KITCHENAID WILL NOT PAY FOR

1. Service calls to correct the installation of your major appliance, to instruct you how to use your major appliance, to replace or repair house fuses or to correct house wiring or plumbing.
 2. Service calls to repair or replace appliance light bulbs, air filters or water filters. Those consumable parts are excluded from warranty coverage.
 3. Repairs when your major appliance is used for other than normal, single-family household use.
 4. Damage resulting from accident, alteration, misuse, abuse, fire, flood, acts of God, improper installation, installation not in accordance with electrical or plumbing codes, or use of products not approved by KitchenAid.
 5. Replacement parts or repair labor costs for units operated outside the United States or Canada.
 6. Pickup and delivery. This major appliance is designed to be repaired in the home.
 7. Repairs to parts or systems resulting from unauthorized modifications made to the appliance.
 8. Expenses for travel and transportation for product service in remote locations.
 9. The removal and reinstallation of your appliance if it is installed in an inaccessible location or is not installed in accordance with published installation instructions.
-

DISCLAIMER OF IMPLIED WARRANTIES; LIMITATION OF REMEDIES

CUSTOMER'S SOLE AND EXCLUSIVE REMEDY UNDER THIS LIMITED WARRANTY SHALL BE PRODUCT REPAIR AS PROVIDED HEREIN. IMPLIED WARRANTIES, INCLUDING WARRANTIES OF MERCHANTABILITY OR FITNESS FOR A PARTICULAR PURPOSE, ARE LIMITED TO ONE YEAR OR THE SHORTEST PERIOD ALLOWED BY LAW. KITCHENAID SHALL NOT BE LIABLE FOR INCIDENTAL OR CONSEQUENTIAL DAMAGES. SOME STATES AND PROVINCES DO NOT ALLOW THE EXCLUSION OR LIMITATION OF INCIDENTAL OR CONSEQUENTIAL DAMAGES, OR LIMITATIONS ON THE DURATION OF IMPLIED WARRANTIES OF MERCHANTABILITY OR FITNESS, SO THESE EXCLUSIONS OR LIMITATIONS MAY NOT APPLY TO YOU. THIS WARRANTY GIVES YOU SPECIFIC LEGAL RIGHTS AND YOU MAY ALSO HAVE OTHER RIGHTS, WHICH VARY FROM STATE TO STATE OR PROVINCE TO PROVINCE.

Outside the 50 United States and Canada, this warranty does not apply. Contact your authorized KitchenAid dealer to determine if another warranty applies.

If you need service, first see the "Troubleshooting" section of the Use & Care Guide. After checking "Troubleshooting," additional help can be found by checking the "Assistance or Service" section or by calling KitchenAid. In the U.S.A., call **1-800-422-1230**. In Canada, call **1-800-807-6777**.

9/05

Keep this book and your sales slip together for future reference. You must provide proof of purchase or installation date for in-warranty service.

Write down the following information about your major appliance to better help you obtain assistance or service if you ever need it. You will need to know your complete model number and serial number. You can find this information on the model and serial number label located on the product.

Dealer name _____

Address _____

Phone number _____

Model number _____

Serial number _____

Purchase date _____

SÉCURITÉ DE LA CUISINIÈRE

Votre sécurité et celle des autres est très importante.

Nous donnons de nombreux messages de sécurité importants dans ce manuel et sur votre appareil ménager. Assurez-vous de toujours lire tous les messages de sécurité et de vous y conformer.



Voici le symbole d'alerte de sécurité.

Ce symbole d'alerte de sécurité vous signale les dangers potentiels de décès et de blessures graves à vous et à d'autres.

Tous les messages de sécurité suivront le symbole d'alerte de sécurité et le mot "DANGER" ou "AVERTISSEMENT". Ces mots signifient :

⚠ DANGER

Risque possible de décès ou de blessure grave si vous ne suivez pas immédiatement les instructions.

⚠ AVERTISSEMENT

Risque possible de décès ou de blessure grave si vous ne suivez pas les instructions.

Tous les messages de sécurité vous diront quel est le danger potentiel et vous disent comment réduire le risque de blessure et ce qui peut se produire en cas de non-respect des instructions.

AVERTISSEMENT : Pour votre sécurité, les renseignements dans ce manuel doivent être observés pour réduire au minimum les risques d'incendie ou d'explosion ou pour éviter des dommages au produit, des blessures ou un décès.

- Ne pas entreposer ni utiliser de l'essence ou d'autres vapeurs ou liquides inflammables à proximité de cet appareil ou de tout autre appareil électroménager.
- QUE FAIRE DANS LE CAS D'UNE ODEUR DE GAZ :
 - Ne pas tenter d'allumer un appareil.
 - Ne pas toucher à un commutateur électrique.
 - Ne pas utiliser le téléphone se trouvant sur les lieux.
 - Appeler immédiatement le fournisseur de gaz d'un téléphone voisin. Suivre ses instructions.
 - À défaut de joindre votre fournisseur de gaz, appeler les pompiers.
- L'installation et l'entretien doivent être effectués par un installateur qualifié, une agence de service ou le fournisseur de gaz.

La bride antibasculement

Dans les conditions de service normales, la cuisinière ne bascule pas. Elle peut cependant basculer si une force ou un poids excessif est appliqué sur la porte ouverte alors que la bride antibasculement n'est pas convenablement fixée.



⚠ AVERTISSEMENT

Risque de basculement

Un enfant ou une personne adulte peut faire basculer la cuisinière ce qui peut causer un décès.

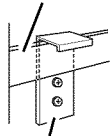
Joindre la bride antibasculement sur le mur en arrière de la cuisinière.

Joindre de nouveau la bride antibasculement si la cuisinière est déplacée.

Voir détails dans les instructions d'installation.

Le non-respect de ces instructions peut causer un décès ou des brûlures graves aux enfants et aux adultes.

La barre de fixation



La bride antibasculement

Assurez-vous qu'une bride antibasculement est installée :

- Glisser la cuisinière vers l'avant.
- Vérifier que la bride antibasculement est bien fixée au mur en arrière de la cuisinière.
- Glisser de nouveau la cuisinière complètement vers l'arrière de sorte que la bride antibasculement est par-dessus la barre de fixation arrière de la cuisinière.

IMPORTANTES INSTRUCTIONS DE SÉCURITÉ

AVERTISSEMENT : Pour réduire le risque d'incendie, de choc électrique, de blessures ou de dommages lors de l'utilisation de la cuisinière, il convient d'observer certaines précautions élémentaires dont les suivantes :

- **AVERTISSEMENT :** POUR MINIMISER LE RISQUE DE BASCULEMENT DE LA CUISINIÈRE, ELLE DOIT ÊTRE BIEN IMMOBILISÉE PAR DES DISPOSITIFS ANTIBASCULEMENT CORRECTEMENT INSTALLÉS. POUR VÉRIFIER SI LES DISPOSITIFS SONT CORRECTEMENT INSTALLÉS, FAIRE GLISSER LA CUISINIÈRE COMPLÈTEMENT VERS L'AVANT, VÉRIFIER SI LA BRIDE ANTIBASCULEMENT EST BIEN FIXÉE AU MUR SITUÉ DERRIÈRE LA CUISINIÈRE, ET FAIRE GLISSER LA CUISINIÈRE COMPLÈTEMENT VERS L'ARRIÈRE JUSQU'À CE QUE L'ENTRETOISE ARRIÈRE DE LA CUISINIÈRE SE TROUVE SOUS LA BRIDE ANTIBASCULEMENT.
- **AVERTISSEMENT :** NE JAMAIS utiliser cet appareil comme dispositif de chauffage de la pièce. Le non-respect de cette instruction peut entraîner une intoxication au monoxyde de carbone et une surchauffe du four.
- **AVERTISSEMENT :** NE JAMAIS couvrir les fentes, trous ou passages d'air au fond du four ou couvrir entièrement une grille avec des matériaux tels que du papier d'aluminium. Le non-respect de cette instruction empêche la circulation de l'air dans le four et peut entraîner une intoxication au monoxyde de carbone. Les feuilles de papier d'aluminium peuvent également retenir la chaleur et créer un risque d'incendie.
- **MISE EN GARDE :** Ne pas remiser dans des armoires au-dessus de la cuisinière ou sur le dossier d'une cuisinière, des objets que des enfants pourraient vouloir atteindre. Les enfants pourraient se brûler ou se blesser en grimant sur la cuisinière.
- Ne pas laisser les enfants seuls – Les enfants ne doivent pas être laissés seuls ou sans surveillance dans la pièce où la cuisinière est en service. Ne jamais laisser les enfants s'asseoir ou se tenir sur une partie quelconque de la cuisinière.
- Porter des vêtements appropriés – Des vêtements amples ou détachés ne doivent jamais être portés pendant l'utilisation de la cuisinière.
- Entretien par l'utilisateur – Ne pas réparer ni remplacer toute pièce de la cuisinière si ce n'est pas spécifiquement recommandé dans le manuel. Toute autre opération d'entretien ou de réparation doit être confiée à un technicien qualifié.
- Remisage dans ou sur la cuisinière – Des matériaux inflammables ne doivent pas être remisés dans un four ou près des éléments de surface.

- Ne pas utiliser d'eau pour éteindre un feu de graisse – Étouffer le feu ou les flammes ou utiliser un extincteur à produits chimiques secs, ou un extincteur à mousse.
- N'utiliser que des mitaines de four sèches – Des mitaines de four mouillées ou humides sur des surfaces chaudes peuvent provoquer des brûlures provenant de la vapeur. Ne pas laisser les mitaines de four toucher les éléments chauffants. Ne pas utiliser une serviette ou un tissu épais.
- NE PAS TOUCHER LES ÉLÉMENTS DE SURFACE OU L'ESPACE PRÈS DES ÉLÉMENTS – Les éléments de surface peuvent être chauds même lorsqu'ils ont une teinte foncée. Les endroits près des éléments de surface peuvent devenir assez chauds pour causer des brûlures. Pendant et après l'utilisation, ne pas toucher les éléments chauffants et ne pas laisser les vêtements ou autres matériaux inflammables entrer en contact avec ces éléments de surface ou les endroits près des éléments, avant qu'ils aient suffisamment refroidi. Ces endroits comprennent la table de cuisson et les surfaces près de la table de la cuisson.
- Ne jamais laisser les éléments de la table de cuisson sans surveillance alors qu'ils chauffent à la puissance maximale. Il pourrait en résulter une ébullition qui cause de la fumée et des renversements de corps gras qui peuvent s'enflammer.
- Ustensiles de cuisson vitrifiés – Seulement certains types d'ustensiles de verre, vitrocéramique, céramique, faïence ou autres surfaces vitrifiées conviennent pour le service sur une table de cuisson, sans bris attribuables aux changements soudains de température.
- Les poignées des ustensiles doivent être tournées vers l'intérieur et non vers le dessus des éléments adjacents – Pour réduire le risque de brûlures, d'inflammation de produits inflammables et de renversements dus à l'entrechoquement non intentionnel des ustensiles, la poignée d'un ustensile doit être positionnée de sorte qu'elle soit tournée vers l'intérieur et non au-dessus des éléments de surface adjacents.
- Nettoyer la table de cuisson avec prudence – Si une éponge ou un chiffon mouillé est utilisé pour essuyer les renversements sur une surface de cuisson chaude, éviter les brûlures causées par la vapeur chaude. Certains nettoyants peuvent produire des émanations nocives lorsqu'ils sont utilisés sur une surface chaude.
- Exercer une grande prudence lors de l'ouverture de la porte – Laisser l'air chaud ou la vapeur s'échapper avant d'enlever ou de replacer un plat.
- Ne pas faire chauffer des contenants fermés – L'accumulation de pression peut causer une explosion du contenant et des blessures.

CONSERVEZ CES INSTRUCTIONS

IMPORTANTES INSTRUCTIONS DE SÉCURITÉ

- Ne jamais obstruer les ouvertures des événements.
 - Positionnement des grilles du four – Toujours placer les grilles du four à la position désirée pendant que le four est froid. Si la grille doit être déplacée pendant que le four est chaud, ne pas laisser les mitaines de four toucher l'élément chaud du four.
 - **NE PAS TOUCHER LES ÉLÉMENTS CHAUFFANTS OU LES SURFACES INTÉRIEURES DU FOUR** – Les éléments chauffants peuvent être chauds même s'ils ont une teinte foncée. Les surfaces intérieures d'un four deviennent assez chaudes pour causer des brûlures. Pendant et après l'utilisation, ne pas toucher ou laisser des vêtements ou autres matériaux inflammables venir en contact avec les éléments chauds ou les surfaces intérieures chaudes du four avant qu'ils aient eu assez de temps pour refroidir. D'autres surfaces de l'appareil peuvent devenir assez chaudes pour causer des brûlures. Ces surfaces comprennent les ouvertures de l'événement du four et les surfaces près de ces ouvertures, les portes du four, et les hublots des portes du four.
 - Installation correcte – Une fois installée, la cuisinière doit être reliée à la terre conformément aux codes locaux, ou en l'absence de codes locaux, au *National Electrical Code ANSI/NFPA 70*. Au Canada, la cuisinière doit être reliée à la terre conformément au Code canadien des installations électriques.
 - Déconnecter la source de courant électrique avant d'intervenir sur l'appareil.
 - Des blessures peuvent résulter d'un mauvais usage des portes ou tiroirs de l'appareil – par exemple marcher, s'appuyer ou s'asseoir sur les portes ou tiroirs.
 - Entretien – Maintenir la zone de la cuisinière à l'abri des matériaux combustibles, essence ou autres vapeurs ou liquides inflammables.
 - La taille de la flamme du brûleur supérieur doit être ajustée de façon à ne pas dépasser du bord de l'ustensile de cuisson.
- Pour les cuisinières avec programme d'autonettoyage –**
- Ne pas nettoyer le joint de la porte – Le joint de la porte est essentiel pour l'étanchéité. Veiller à ne pas frotter, endommager ou déplacer le joint.
 - Ne pas utiliser des produits commerciaux de nettoyage du four – On ne doit pas utiliser un produit commercial de nettoyage de four ou un enduit de protection des surfaces internes du four quel qu'en soit le type, sur les surfaces du four ou les surfaces voisines.
 - Nettoyer uniquement les pièces indiquées dans le manuel.
 - Avant d'exécuter le programme d'autonettoyage du four – Ôter la lèchefrite et les autres ustensiles. Essuyer tout excès de renversement avant de commencer un programme de nettoyage.
- Pour les appareils avec hotte de ventilation –**
- Nettoyer les hottes de ventilation fréquemment – La graisse ne doit pas s'accumuler sur la hotte ou le filtre.
 - Lorsque vous flambez des aliments sous la hotte, mettre le ventilateur en marche.

CONSERVEZ CES INSTRUCTIONS

PIÈCES ET CARACTÉRISTIQUES

Ce manuel couvre plusieurs modèles différents. La cuisinière que vous avez achetée peut comporter l'ensemble des articles énumérés ou seulement certains d'entre eux. L'emplacement et l'apparence des caractéristiques illustrées ci-dessous peuvent ne pas correspondre à ceux de votre modèle.

Tableau de commande de 48" (122 cm)

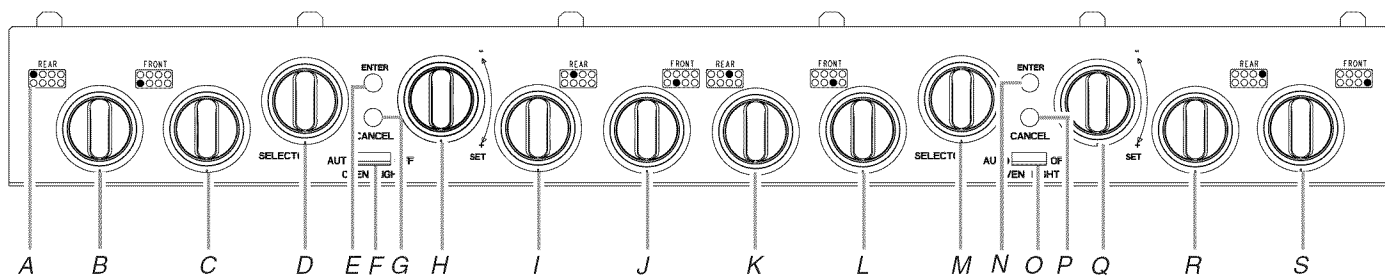


Table de cuisson

- A. Repère du brûleur de surface
- B. Bouton de commande arrière gauche (15 000 Btu/h)
- C. Bouton de commande avant gauche (6 000 Btu/h)

Four

- D. Bouton de sélection
- E. Bouton d'entrée
- F. Interrupteur de lampe du four
- G. Bouton d'annulation
- H. Bouton de réglage

Table de cuisson

- I. Bouton de commande arrière gauche central (15 000 Btu/h)
- J. Bouton de commande avant gauche central (15 000 Btu/h)
- K. Bouton de commande arrière droit central (15 000 Btu/h)
- L. Bouton de commande avant droit central (15 000 Btu/h)

Four

- M. Bouton de sélection
- N. Bouton d'entrée
- O. Interrupteur de lampe du four
- P. Bouton d'annulation
- Q. Bouton de réglage

Table de cuisson

- R. Bouton de commande arrière droit (15 000 Btu/h)
- S. Bouton de commande avant droit (15 000 Btu/h)

Tableaux de commande de 36" (91,44 cm)

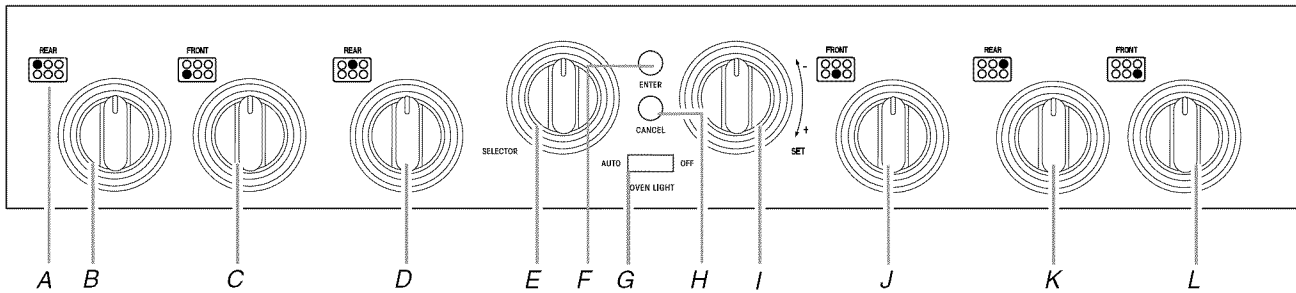


Table de cuisson

- A. Repère du brûleur de surface
- B. Bouton de commande arrière gauche (15 000 Btu/h)
- C. Bouton de commande avant gauche (6 000 Btu/h)
- D. Bouton de commande arrière central (15 000 Btu/h)

Four

- E. Bouton de sélection
- F. Bouton d'entrée
- G. Interrupteur de lampe du four
- H. Bouton d'annulation
- I. Bouton de réglage

Table de cuisson

- J. Bouton de commande avant central (15 000 Btu/h)
- K. Bouton de commande arrière droit (15 000 Btu/h)
- L. Bouton de commande avant droit (6 000 Btu/h)

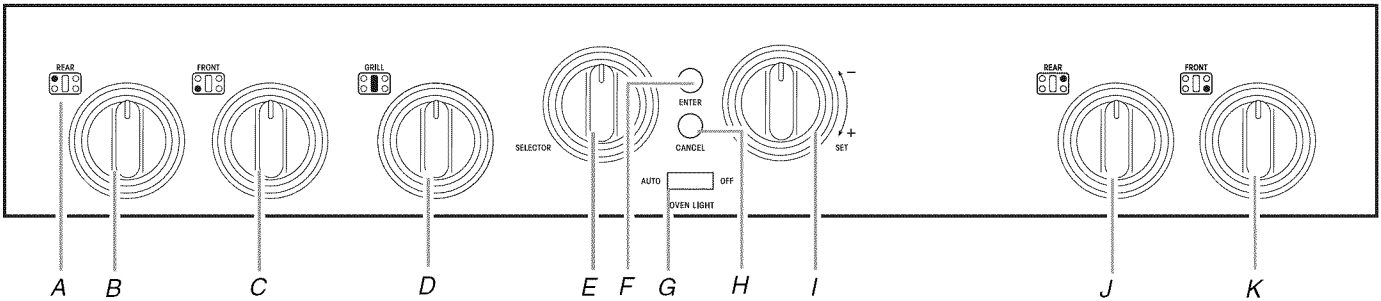


Table de cuisson

- A. Repère du brûleur de surface
- B. Bouton de commande arrière gauche (15 000 Btu/h)
- C. Bouton de commande avant gauche (6 000 Btu/h)
- D. Bouton de commande de la plaque à frire (18 000 Btu/h)

Four

- E. Bouton de sélection
- F. Bouton d'entrée
- G. Interrupteur de lampe du four
- H. Bouton d'annulation
- I. Bouton de réglage

Table de cuisson

- J. Bouton de commande arrière droit (15 000 Btu/h)
- K. Bouton de commande avant droit (6 000 Btu/h)

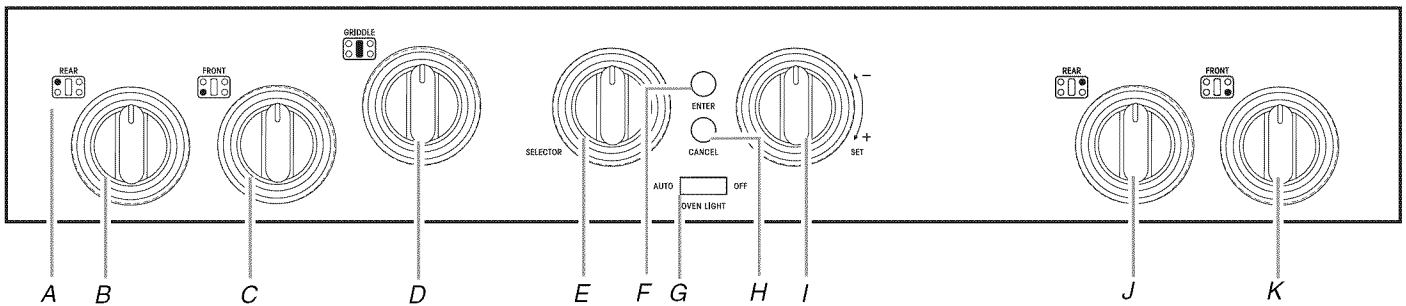


Table de cuisson

- A. Repère du brûleur de surface
- B. Bouton de commande arrière gauche (15 000 Btu/h)
- C. Bouton de commande avant gauche (6 000 Btu/h)
- D. Bouton de commande de la plaque à frire (18 000 Btu/h)

Four

- E. Bouton de sélection
- F. Bouton d'entrée
- G. Interrupteur de lampe du four
- H. Bouton d'annulation
- I. Bouton de réglage

Table de cuisson

- J. Bouton de commande arrière droit (15 000 Btu/h)
- K. Bouton de commande avant droit (6 000 Btu/h)

Tableau de commande de 30" (76,2 cm)

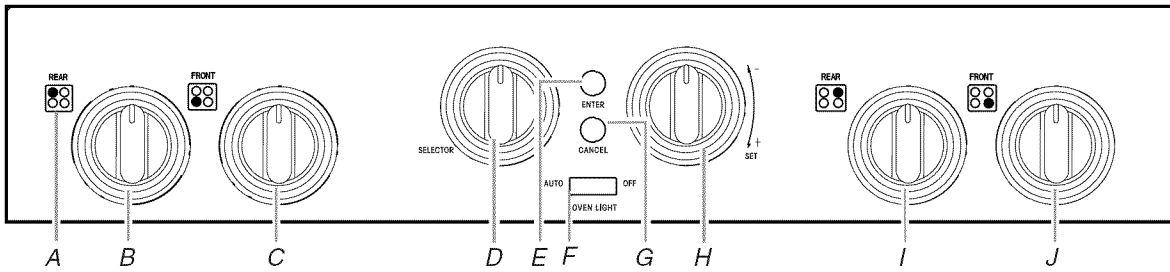


Table de cuisson

- A. Repère du brûleur de surface
- B. Bouton de commande arrière gauche (15 000 Btu/h)
- C. Bouton de commande avant gauche (15 000 Btu/h)

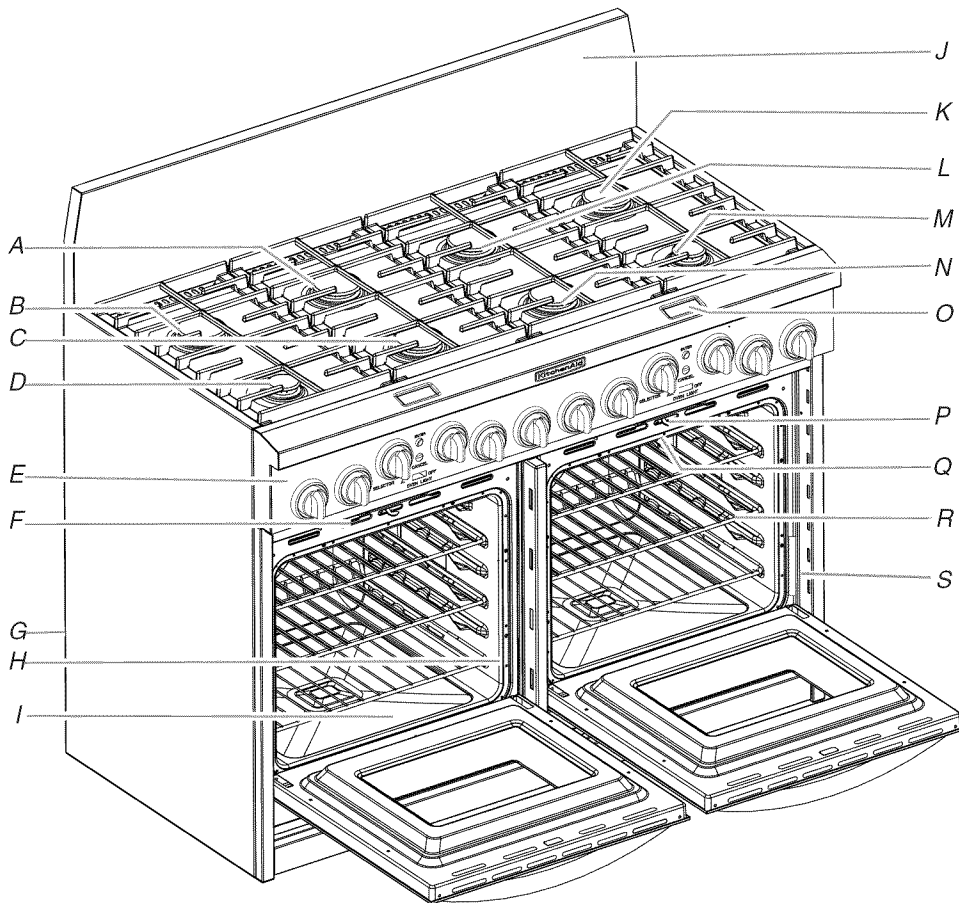
Four

- D. Bouton de sélection
- E. Bouton d'entrée
- F. Interrupteur de lampe du four
- G. Bouton d'annulation
- H. Bouton de réglage

Table de cuisson

- I. Bouton de commande arrière droit (15 000 Btu/h)
- J. Bouton de commande avant droit (15 000 Btu/h)

Cuisinière



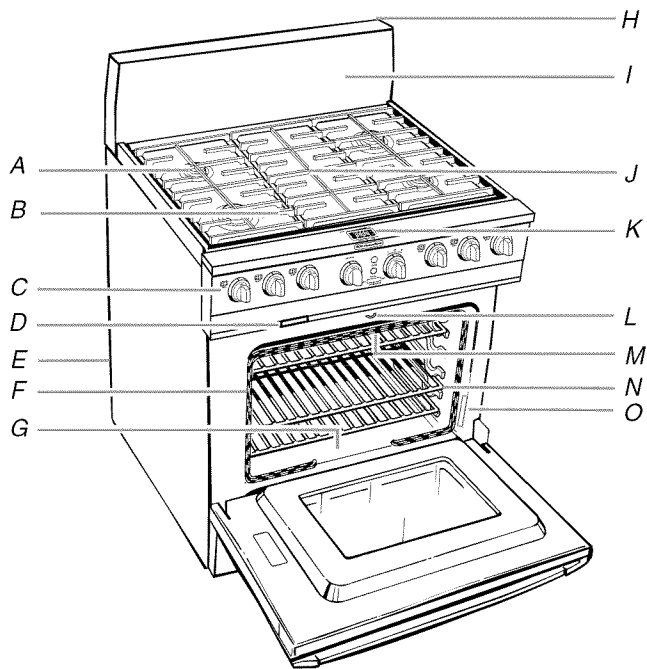
- A. Brûleur de surface arrière gauche centrale
- B. Brûleur de surface arrière gauche
- C. Brûleur de surface avant gauche centrale
- D. Brûleur de surface avant gauche
- E. Tableau de commande

- F. Évent du four
- G. Détendeur de gaz (arrière de la cuisinière)
- H. Joint d'étanchéité de la porte
- I. Élément de cuisson au four (non visible)
- J. Connecteur à tige (arrière de la cuisinière - pour test à l'usine seulement)

- K. Brûleur de surface arrière droite
- L. Brûleur de surface arrière droite centrale
- M. Brûleur de surface avant droite
- N. Brûleur de surface avant droite centrale
- O. Afficheur des commandes de four électroniques

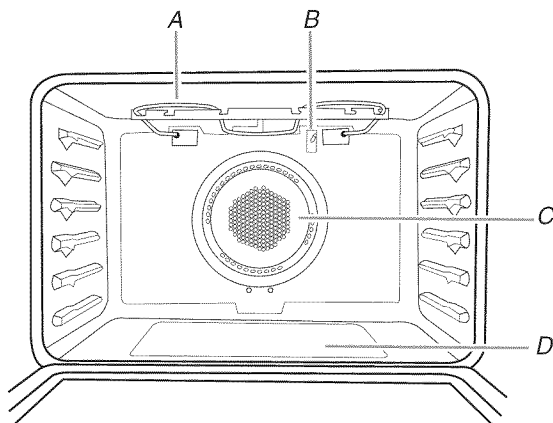
- P. Loquet d'autonettoyage
- Q. Élément de cuisson au grill (non illustré)
- R. Grille du four
- S. Plaque des numéros de modèle et de série (située sur la garniture du four, côté droit)

Cuisinière



- A. Brûleur de surface
- B. Grille de brûleur de surface
- C. Tableau de commande
- D. Évent du four
- E. Détendeur de gaz (arrière de la cuisinière)
- F. Joint d'étanchéité de la porte (non visible)
- G. Élément de cuisson au four (non visible)
- H. Connecteur à 2 tiges (non illustré; arrière de la cuisinière - non destiné à l'usage des consommateurs - pour test à l'usine seulement)
- I. Dossieret en acier inoxydable (garniture d'îlot non illustrée)
- J. Gril, plaque à frire, brûleurs des surfaces centrales ou grille garniture
- K. Afficheur des commandes de four électroniques
- L. Loquet d'autonettoyage
- M. Élément de cuisson au gril (non illustré)
- N. Grille du four
- O. Plaque des numéros de modèle et de série (située sur la garniture du four, côté droit)

Intérieur du four



- A. Élément de cuisson au gril
- B. Capteur de la cavité du four
- C. Ventilateur de convection et élément en anneau (non visibles)
- D. Élément de cuisson au four (non visible)

UTILISATION DE LA TABLE DE CUISSON

Commandes de la table de cuisson

AVERTISSEMENT



Risque d'incendie

La flamme d'un brûleur ne devrait pas dépasser le bord du récipient de cuisson.

Fermer tous les réglages lorsque la cuisson est terminée.

Le non-respect de ces instructions peut causer un décès ou un incendie.

IMPORTANT : La table de cuisson est réglée à l'usine pour l'utilisation au gaz naturel. Pour utiliser du gaz propane, un équipement de conversion au gaz propane est compris avec la cuisinière. Voir les instructions comprises avec la trousse de conversion au gaz propane pour les détails concernant l'exécution de cette conversion.

Des allumeurs électriques allument automatiquement les brûleurs de surface lorsque les boutons de commande sont réglés à LITE (allumage).

Les grands brûleurs (15 000 Btu/h) sont les plus chauds et permettent de cuire de grandes quantités d'aliments ou de liquides dans de grands chaudrons. Les petits brûleurs (6 000 Btu/h) permettent un mijotage plus précis à des températures plus basses pour de plus petites quantités d'aliments et de plus petits chaudrons.

Avant de régler un bouton de commande, placer l'ustensile de cuisson rempli sur la grille. Ne pas allumer un brûleur sous un ustensile vide ou sans ustensile sur la grille.

REMARQUE : Vérifier à la vue si le brûleur est allumé. Si le brûleur ne s'allume pas, écouter le son d'un déclic. Si vous n'entendez pas un déclic, éteindre le brûleur. Vérifier si le coupe-circuit est déclenché ou si un fusible est grillé.

Vérifier que le bouton de commande est complètement enfoncé sur la tige de la soupape. Si l'allumeur par étincelle ne fonctionne pas encore, faire venir un technicien qualifié pour l'entretien.

Une liaison à la terre et une polarité appropriées sont nécessaires pour le bon fonctionnement du système d'allumage électrique. Si la prise de courant murale ne fournit pas la polarité correcte, l'allumeur deviendra relié à la terre et fera retentir un déclic, même après que le brûleur est allumé. Contacter un technicien qualifié pour l'entretien pour qu'il vérifie la prise de courant murale pour voir si elle est reliée par fil à la polarité correcte.

Réglage :

1. Enfoncer et tourner le bouton dans le sens antihoraire à LITE. Les quatre brûleurs de surface font un déclic. Seul le brûleur pour lequel on a tourné le bouton à LITE s'allume.
2. Tourner le bouton à n'importe quelle position entre HI et LO. Utiliser le tableau suivant comme guide de températures.

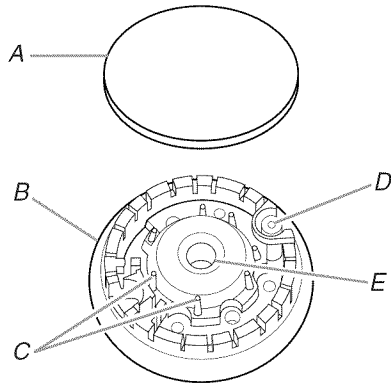
RÉGLAGE	UTILISATION RECOMMANDÉE
LITE	■ Pour allumer le brûleur.
HI	■ Pour commencer la cuisson. ■ Pour porter un liquide à ébullition.
MED à HI	■ Pour maintenir une ébullition rapide. ■ Pour brunir ou saisir des aliments rapidement.
MED	■ Pour frire ou sauter des aliments. ■ Pour maintenir une ébullition lente.
MED à LO	■ Pour cuire les soupes et les sauces. ■ Pour mijoter et cuire les aliments à la vapeur.
LO (avec plaque de mijotage)	■ Pour garder les aliments au chaud. ■ Pour faire fondre du chocolat ou du beurre. ■ Pour faire mijoter des aliments.

N'OUBLIEZ PAS : Quand l'appareil est utilisé ou (sur certains modèles) durant le programme d'autonettoyage, toute la surface de la table de cuisson peut devenir chaude.

Panne de courant

En cas de panne de courant prolongée, on peut allumer manuellement les brûleurs de surface. Tenir une allumette près d'un brûleur et tourner le bouton dans le sens antihoraire à HI. Une fois le brûleur allumé, tourner le bouton au réglage désiré.

Brûleurs de surface scellés

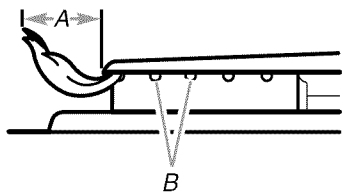


- A. Chapeau de brûleur
- B. Base du brûleur
- C. Tiges d'alignement
- D. Dispositif d'allumage
- E. Ouverture du tube d'arrivée de gaz

IMPORTANT : Ne pas entraver le débit de gaz de combustion et de l'air de ventilation autour des bords des grilles de brûleur.

Chapeau de brûleur : Toujours garder le chapeau du brûleur en place lorsqu'un brûleur de surface est utilisé. Un chapeau de brûleur propre empêche un mauvais allumage et une flamme inégale. Toujours nettoyer le chapeau de brûleur après un renversement et enlever et nettoyer régulièrement les chapeaux conformément à la section "Nettoyage général".

Ouverture du tube d'arrivée de gaz : Pour que le brûleur s'allume convenablement, il faut que le gaz puisse passer librement à travers l'ouverture du tube d'arrivée de gaz. Il est essentiel de garder cette zone exempte de saletés et de veiller à ce que les renversements, aliments, agents de nettoyage ou autre matériau ne puissent pénétrer dans l'ouverture du tube d'arrivée de gaz. Le protéger contre les renversements en utilisant toujours un chapeau de brûleur.



- A. 1-1½" (25-38 mm)
- B. Orifices de brûleur

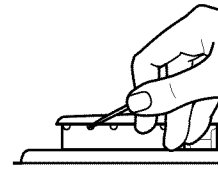
Orifices de brûleur : Examiner occasionnellement les flammes des brûleurs pour en vérifier la taille et la forme tel qu'indiqué ci-dessus. Une bonne flamme est bleue, non jaune. Il est essentiel de garder cette zone exempte de saletés et de veiller à ce que les renversements, aliments, agents de nettoyage ou autre matériau ne puissent pénétrer dans les orifices de brûleur.

Nettoyage :

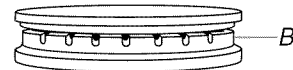
IMPORTANT : Avant de faire le nettoyage, s'assurer que toutes les commandes sont éteintes et que le four et la table de cuisson sont froids. Ne pas utiliser de nettoyants à four, eau de Javel ou décapants à rouille.

1. Enlever le chapeau de brûleur de la base du brûleur et nettoyer conformément à la section "Nettoyage général".
2. Nettoyer l'ouverture du tube d'arrivée de gaz avec un linge humide.

3. Nettoyer les orifices de brûleur obstrués avec une épingle droite tel qu'indiqué. Ne pas agrandir ni déformer les orifices. Ne pas utiliser un cure-dent en bois. Si le brûleur a besoin d'être ajusté, faire venir un technicien d'entretien qualifié.



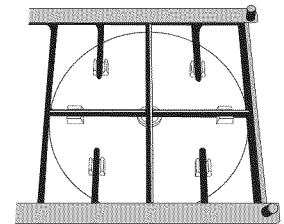
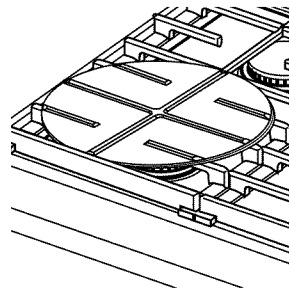
4. Réinstaller le chapeau de brûleur et s'assurer que les tiges d'alignement sont bien alignées avec le chapeau de brûleur.



- A. Incorrect
- B. Correct

5. Allumer le brûleur. Si le brûleur ne s'allume pas, vérifier l'alignement du chapeau. Si le brûleur ne s'allume toujours pas, ne pas faire vous-même la réparation du brûleur scellé. Contacter un technicien d'entretien qualifié.

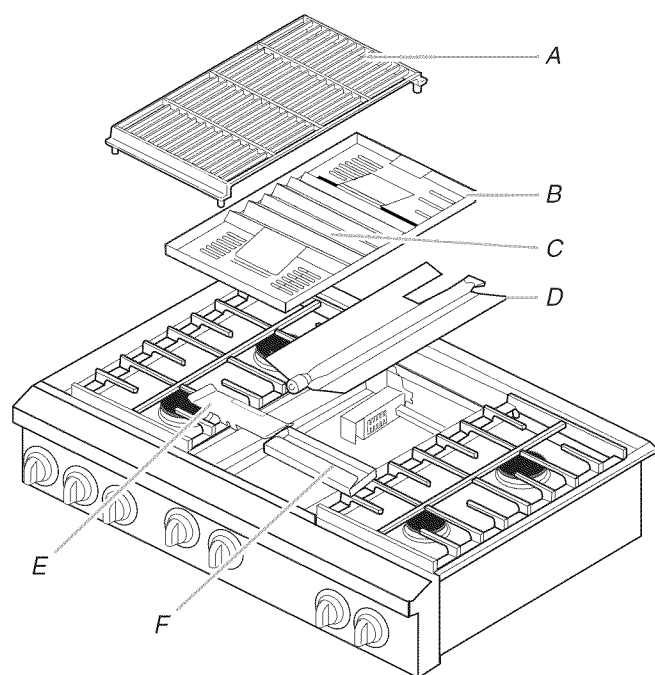
Plaque de mijotage



- La plaque de mijotage est fabriquée en aluminium avec un revêtement antiadhésif pour diffuser uniformément la chaleur sur le fond de l'ustensile de cuisson.
- Les rainures au fond de la plaque de mijotage ont été conçues de manière à convenir correctement et de façon sécuritaire sur la grille. Voir l'illustration ci-dessus.
- La plaque de mijotage peut être utilisée sur les brûleurs de surface grands et petits.
- Utiliser la plaque de mijotage avec les réglages de brûleur dans la gamme de moyen à bas sur la table de cuisson lorsque des températures moindres sont requises pour le mijotage ou pour maintenir les aliments à une température basse au cours d'une période prolongée.

Voir la section "Assistance ou service" pour commander d'autres plaques de mijotage.

Gril (sur certains modèles)



A. Grille du gril
B. Plateau nervuré
C. Plaque nervurée
D. Ensemble de brûleur
E. Protecteur anti-déversement avant
F. Plateau ramasse-gouttes

Le module du gril consiste en une grille en fonte, un plateau nervuré, une plaque nervurée, un protecteur anti-déversement avant et un plateau ramasse-gouttes. Il est utilisé pour griller les aliments. Se référer au "Tableau de cuisson au gril" pour les durées et réglages de cuisson.

Lors de l'utilisation du gril, suivre les instructions ci-dessous :

- Ne pas laisser le gril sans surveillance pendant la cuisson.
- Ne pas utiliser de papier d'aluminium, de charbon de bois ou copeaux de bois.
- Couper l'excès de gras pour réduire les éclaboussures. Entailler le gras résiduel pour empêcher la viande de se cintrer.
- Laisser de l'espace entre les aliments sur le gril pour éviter une cuisson inégale.
- Utiliser une spatule en métal ou des pinces pour retourner les aliments.
- Retourner la viande une fois. Les jus se perdent lorsque les biftecks, côtelettes ou hamburgers sont retournés plusieurs fois.
- Pour une cuisson régulière, les aliments tels que les quartiers de poulet devraient être retournés plusieurs fois.
- Pour vérifier le degré de cuisson de la viande et de la volaille, utiliser un thermomètre à lecture instantanée ou pratiquer une petite entaille au centre de la viande. Ceci empêchera la perte de jus.

Avant d'enlever ou de réinstaller le gril, tourner les boutons de commande à OFF (arrêt) et laisser le gril refroidir complètement avant de le manipuler.

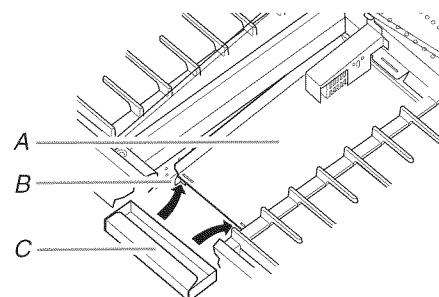
Enlèvement :

1. Enlever la grille du gril.
2. Enlever le plateau nervuré et la plaque nervurée.
3. Enlever l'ensemble du brûleur.
4. Enlever le protecteur anti-déversement avant.

5. Enlever le plateau ramasse-gouttes.
6. Nettoyer le bassin. Voir la section "Nettoyage général".

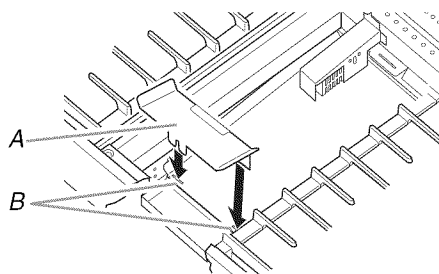
Réinstallation :

1. Soulever l'ensemble du brûleur hors du bassin et le mettre de côté.
2. Placer le plateau ramasse-gouttes au fond du bassin du gril et glisser le plateau vers l'avant de telle sorte qu'il se trouve en position transversale contre les pieds repère du protecteur anti-déversement arrière.



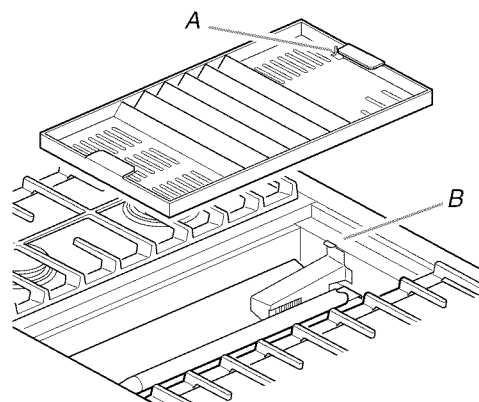
A. Protecteur anti-déversement arrière
B. Pieds repère
C. Plateau ramasse-gouttes

3. Insérer les pieds du protecteur anti-déversement avant dans les fentes du protecteur anti-déversement arrière. Le rebord arrière reposera sur le coffret des brûleurs.



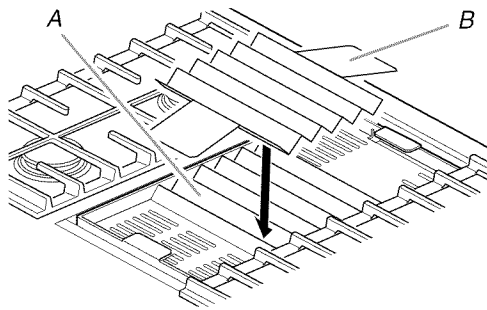
A. Protecteur anti-déversement avant
B. Pieds et fentes

4. Placer l'ensemble du brûleur sur le protecteur anti-déversement et s'assurer que le rebord arrière des brûleurs repose dans la fente.
5. Installer le plateau nervuré dans le gril. L'onglet dans le coin arrière gauche de la cavité doit passer à travers la fente dans le coin arrière gauche du plateau nervuré.



A. Fente pour l'onglet repère
B. Onglet repère

6. Placer la plaque nervurée sur le plateau nervuré. La plaque nervurée doit se trouver au centre du plateau nervuré.



A. Plateau nervuré
B. Plaque nervurée

7. Réinstaller la grille du grill.

Utilisation :

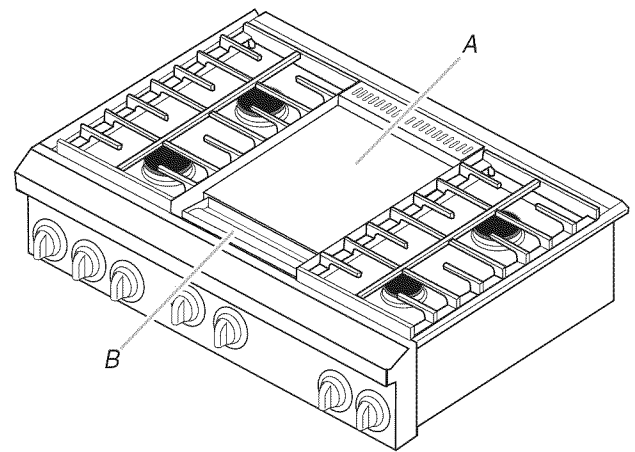
1. Mettre la hotte d'évacuation au-dessus de la cuisinière en marche.
2. Si désiré, appliquer une mince couche d'huile végétale ou d'aérosol de cuisine antiadhésif sur la grille du grill.
3. Pousser et tourner le bouton à LITE/HI. La flamme apparaîtra en 30 à 40 secondes. Préchauffer pendant 10 minutes.
4. Tourner le bouton au réglage de cuisson désiré. Mettre l'aliment sur le grill.

TABLEAU DE CUISSON AU GRIL

Les réglages et durées sont seulement des recommandations et peuvent être ajustés selon les goûts individuels.

ALIMENTS	RÉGLAGE	DURÉE DE CUISSON EN MINUTES
Bifteck 1" (2,5 cm) à point bien cuit	MED-HI MED-HI	16-20 20-30
Galettes de viande hachée ½-¾" (1,3 à 1,9 cm)	MED	20-25
Côtelettes de porc 1" (2,5 cm)	MED	35-55
Tranches de jambon ½" (1,3 cm)	MED-HI	8-12
Saucisses de Francfort et saucisses fumées précuites	MED	8-15
Poulet Quartiers Poitrines désossées	MED-LO MED	50-80 20-40
Darnes de poisson ¾-1" (1,9 à 2,5 cm) d'épaisseur	MED	10-15

Plaque à frire (sur certains modèles)



A. Plaque à frire
B. Plateau ramasse-gouttes

La plaque à frire, fabriquée à partir d'acier brossé et laminé à froid, est semblable à celles utilisées dans les cuisines commerciales. Cette plaque à frire est emballée est protégée par un revêtement gras recouvert de papier; il est nécessaire de retirer complètement cette protection à l'eau chaude savonneuse. Rincer, sécher et conditionner la plaque à frire immédiatement après avoir retiré le revêtement de protection sinon la plaque risque de rouiller. Voir la section "Nettoyage général" pour plus de renseignements.

- Il est normal que la plaque à frire ternisse à l'usage.
- Ne pas placer de casseroles ou récipients sur la plaque à frire conditionnée pour garder les aliments au chaud.
- La plaque à frire doit être à plat pour fonctionner correctement.
- Ne pas verser d'eau froide sur une plaque à frire chaude. Ceci risque de déformer la plaque à frire et de produire une surface de cuisson irrégulière.

Pour conditionner ou reconditionner la plaque à frire :

Il est important de conditionner la plaque à frire car cela empêche les aliments d'attacher au cours de la cuisson et prévient la rouille.

1. Verser 1 cuillère à thé (5 ml) d'huile végétale au centre de la plaque à frire et répartir uniformément sur toute la surface avec un essuie-tout. Ne pas utiliser d'huile de maïs ou d'olive.
2. Pousser et tourner le bouton à 350°F (177°C). Lorsque de la fumée se dégage, tourner le bouton de commande à la position OFF (arrêt) et laisser la plaque refroidir. Essuyer tout excès d'huile avec un essuie-tout.
3. Appliquer une fine couche d'huile végétale sur toute la surface de la plaque à frire. La plaque à frire est maintenant prête à l'utilisation.
4. Après chaque utilisation, conditionner à nouveau la plaque en suivant les étapes 1 à 3.
5. Après un conditionnement adéquat, la plaque à frire peut être utilisée sans ajout d'huile végétale.

Utilisation de la plaque à frire :

1. Positionner le plateau ramasse-gouttes sous le bord avant de la plaque pour récupérer la graisse et les résidus alimentaires.
2. Pousser et tourner le bouton de commande à la température désirée.
3. Laisser la plaque préchauffer pendant 10 à 15 minutes pour atteindre la température sélectionnée.
4. Placer l'aliment sur la plaque et cuire au degré de cuisson désiré.

Après chaque utilisation :

1. Éteindre la plaque et la laisser refroidir. Rincer la plaque avec ½ tasse (125 mL) d'eau chaude savonneuse.
2. Gratter les résidus sur la plaque dans le plateau ramasse-gouttes.
3. Ôter et nettoyer le plateau ramasse-gouttes et la zone située en dessous. En inclinant le plateau ramasse-gouttes, veiller à ce que le contenu ne se renverse pas.
4. Rincer la plaque avec ½ tasse (125 mL) d'eau chaude. Sécher la plaque et le plateau ramasse-gouttes avec un essuie-tout pour enlever l'excès de graisse et d'huile.

TABLEAU DE CUISSON POUR LA PLAQUE À FRIRE

Les réglages et durées de cuisson sont cités à titre indicatif seulement et peuvent être modifiés en fonction des goûts personnels.

ALIMENT	RÉGLAGE	DURÉE DE CUISSON TOTAL MINUTES
Galettes et chapelets de saucisses	325°F (163°C)	12-18
Tranches de bacon	350°F (177°C)	7-11
Tranches de jambon (entièrement cuit)	325°F (163°C)	5-7
Galettes de viande hachée	350°F (177°C)	10-15
Saucisses de Francfort et saucisses précuites	325°F (163°C)	8-15
Darnes et filets de poisson	325°F (163°C)	8-15
Oeufs	300°F (149°C)	3-5
Pommes de terre rissolées	400°F à 425°F (204°C à 218°C)	8-12
Pain doré	350°F (177°C)	5-7
Crêpes	350°F (177°C)	2-4
Sandwiches grillés	325°F (163°C)	3-5

Préparation de conserves à la maison

Lors de la préparation de conserves pendant de longues périodes, alterner l'utilisation des brûleurs de surface entre les quantités préparées. Cette alternance permet aux dernières surfaces utilisées de refroidir.

- Centrer l'autoclave sur la grille.
- Ne pas placer l'autoclave sur deux brûleurs de surface à la fois.
- Pour plus de renseignements, communiquez avec votre service local d'agriculture. Les compagnies qui fabriquent des produits pour la préparation de conserves peuvent aussi offrir de l'aide.

Ustensiles de cuisson

IMPORTANT : Ne pas laisser un ustensile de cuisson vide sur la surface chaude d'une table de cuisson, d'un élément ou d'un brûleur de surface.

Les ustensiles de cuisson idéals doivent avoir un fond plat, des parois droites, un couvercle qui ferme bien et le matériau doit être d'épaisseur moyenne à forte.

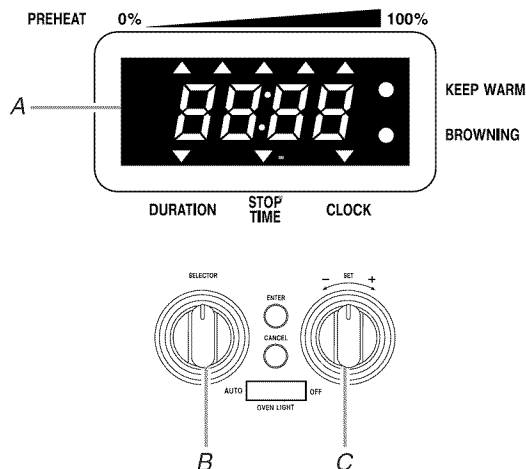
Les surfaces rudes peuvent égratigner la table de cuisson. L'aluminium et le cuivre peuvent être employés comme fond ou base dans un ustensile de cuisson. Cependant, utilisés comme base, ils peuvent laisser des marques permanentes sur la table de cuisson ou les grilles.

Le matériau d'un ustensile de cuisson affecte la rapidité et l'uniformité de la transmission de la chaleur, et contribue aux résultats de cuisson. Un fini antiadhésif a les mêmes caractéristiques que son matériau de base. Par exemple, un ustensile de cuisson en aluminium avec un fini antiadhésif aura les propriétés de l'aluminium.

Utiliser le tableau suivant comme guide pour les caractéristiques du matériau de l'ustensile de cuisson.

USTENSILE	CARACTÉRISTIQUES
Aluminium	<ul style="list-style-type: none">■ Chauffe rapidement et uniformément.■ Convient à tous les genres de cuisson.■ L'épaisseur moyenne ou forte convient le mieux pour la plupart des tâches de cuisson.
Fonte	<ul style="list-style-type: none">■ Chauffe lentement et uniformément.■ Convient pour le brunissage et la friture.■ Maintient la chaleur pour une cuisson lente.
Céramique ou vitrocéramique	<ul style="list-style-type: none">■ Suivre les instructions du fabricant.■ Chauffe lentement mais inégalement.■ Les meilleurs résultats sont obtenus sur les réglages de chaleur basse à moyenne.
Cuivre	<ul style="list-style-type: none">■ Chauffe très rapidement et également.
Terre cuite	<ul style="list-style-type: none">■ Suivre les instructions du fabricant.■ Utiliser des réglages de température basse.
Acier émail-porcelaine ou fonte	<ul style="list-style-type: none">■ Voir acier inoxydable ou fonte.
Acier inoxydable	<ul style="list-style-type: none">■ Chauffe rapidement, mais inégalement.■ Un fond ou une base d'aluminium ou de cuivre sur l'acier inoxydable procure un chauffage égal.

COMMANDE ÉLECTRONIQUE DU FOUR



- A. Affichage
B. Bouton de sélection
C. Bouton de commande de réglage

Première utilisation/panne de courant

Lorsque le courant est fourni pour la première fois à l'appareil, "PF" sera affiché.

L'affichage de "PF" à tout autre moment indique qu'il y a eu une panne de courant. Tourner le bouton SELECTOR (sélecteur) à la position RESET (remise en marche), appuyer sur le bouton ENTER et suivre les instructions de réglage de l'horloge dans la section "Horloge".

Boutons de sélection et de commande de réglage

Toutes les fonctions de cuisson sont réglées avec le bouton de commande SELECTOR (sélecteur). La fonction choisie commencera automatiquement avec les réglages courants après 10 secondes si les autres réglages ne sont pas changés. Une fois qu'un programme est complété, tourner le bouton de commande SELECTOR à la position RESET (remise en marche) pour choisir une nouvelle fonction.

Tous les réglages de température ou de durée sont réglés avec le bouton de commande SET (réglage). Tous les ajustements de température sont affichés en tranches de 5°F (3°C).

La vitesse à laquelle le bouton est tourné apparaît sur l'affichage.

Entrer et annuler

Le bouton ENTER (entrer) commence toute fonction du four.

Le bouton CANCEL (annuler) fait cesser toute fonction du four à l'exception de l'horloge/heure du jour. Après l'annulation d'une fonction, "End" sera affiché pour montrer que la fonction a été annulée.

Le ventilateur de refroidissement peut continuer à fonctionner après qu'un programme a été annulé et s'arrêtera automatiquement quand le four est refroidi.

Horloge

Cette horloge indique 12 heures et ne montre pas a.m. ou p.m.

Réglage :

1. Tourner le bouton SELECTOR (sélecteur) à la position RESET (remise en marche).
2. Appuyer sur le bouton ENTER (entrer) jusqu'à ce que l'affichage indique "12:00" et l'indicateur CLOCK (horloge) clignote.
3. Tourner le bouton SET (réglage) pour régler l'heure.
4. Appuyer sur le bouton ENTER pour accepter l'heure affichée.

Pour un changement : Répéter les étapes 2 à 4 pour changer l'heure du jour sur l'afficheur.

UTILISATION DU FOUR

Des odeurs et de la fumée sont normales lorsque le four est utilisé les premières fois, ou lorsqu'il est très sale.

IMPORTANT : La santé de certains oiseaux est très sensible aux émanations de fumée. L'exposition aux émanations peut entraîner la mort de certains oiseaux. Toujours déplacer les oiseaux dans une autre pièce fermée et bien aérée.

Papier d'aluminium

IMPORTANT : Pour éviter des dommages permanents au fini du fond du four, ne pas recouvrir le fond avec du papier d'aluminium, un revêtement quelconque ou un ustensile de cuisson.

- Ne pas recouvrir totalement la grille avec une feuille d'aluminium; l'air doit pouvoir circuler librement pour obtenir les meilleurs résultats de cuisson.
- Pour récupérer les renversements, placer une feuille de papier d'aluminium sur la grille sur laquelle le mets est placé. Veiller à ce qu'elle dépasse d'au moins 1/2" (1,3 cm) tout autour du plat et à ce que les bords soient relevés.

Positionnement des grilles et des ustensiles de cuisson

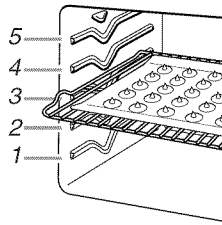
IMPORTANT : Pour éviter des dommages permanents au fini en porcelaine, ne pas placer d'aliments ou d'ustensiles de cuisson directement sur la porte ou le fond du four.

GRILLES

REMARQUES :

- Placer les grilles avant d'allumer le four.
- Ne pas déplacer les grilles lorsque des ustensiles de cuisson se trouvent dessus.
- S'assurer que les grilles sont de niveau.

Pour déplacer une grille, la tirer jusqu'à la butée d'arrêt, soulever le rebord avant et la tirer pour la sortir du four. Se servir de l'illustration et du tableau suivants comme guide.



Cuisson traditionnelle

ALIMENTS	POSITION DE LA GRILLE*
Gros rôtis, dindes, gâteaux des anges et gâteaux Bundt, pains éclairs, tartes	1 ou 2
Pains à la levure, mets en sauce, viande et volaille	2
Biscuits, muffins et gâteaux	2 ou 3

*Sur les modèles dotés de la caractéristique CleanBake™, les aliments peuvent être placés sur une grille placée plus bas.

Cuisson par convection

RÉGLAGE DU FOUR	NOMBRE DE GRILLES UTILISÉES	POSITION(S) DE LA GRILLE
Cuisson au four par convection	1	1, 2 ou 3
Cuisson au four par convection	2	2 et 4
Cuisson au four par convection	3	1, 3, et 5
Rôtissage par convection	1	1, 2 ou 3
Cuisson au gril par convection	1	3 ou 4

USTENSILES DE CUISSON

L'air chaud doit pouvoir circuler autour de l'aliment pour le cuire uniformément. Laisser 1" (2,5 cm) d'espace entre les ustensiles de cuisson et les parois du four. Se servir du tableau suivant comme guide.

NOMBRE D'USTENSILES	POSITION SUR LA GRILLE
1	Centre de la grille.
2	Côte à côte ou légèrement décalés.
3 ou 4	Dans les coins opposés sur chaque grille. S'assurer qu'aucun ustensile de cuisson ne se trouve directement au-dessus d'un autre.

Ustensiles de cuisson

Le matériau des ustensiles de cuisson affecte les résultats de cuisson. Suivre les recommandations du fabricant et utiliser le format d'ustensiles recommandé dans la recette. Se servir du tableau suivant comme guide.

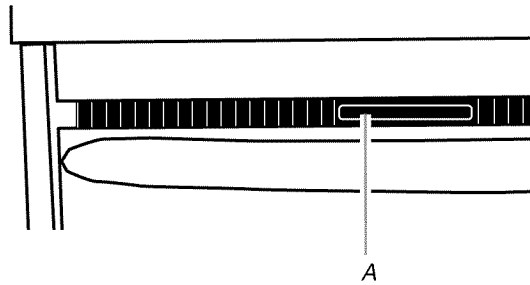
USTENSILES DE CUISSON/RÉSULTATS	RECOMMANDATIONS
Aluminium légèrement coloré <ul style="list-style-type: none"> ■ Croûtes légèrement dorées ■ Brunissage uniforme 	<ul style="list-style-type: none"> ■ Utiliser la température et la durée recommandées dans la recette.
Aluminium foncé et autres ustensiles de cuisson avec fini foncé, terne et/ou antiadhésif <ul style="list-style-type: none"> ■ Croûtes brunes, croustillantes 	<ul style="list-style-type: none"> ■ Peut nécessiter de réduire les températures de cuisson de 25°F (15°C). ■ Utiliser la durée de cuisson suggérée. ■ Pour les tartes, pains et mets en sauce, utiliser la température recommandée dans la recette. ■ Placer la grille au centre du four.
Tôles à biscuits ou moules à cuisson à isolation thermique <ul style="list-style-type: none"> ■ Brunissage faible ou non existant à la base 	<ul style="list-style-type: none"> ■ Placer à la troisième position au bas du four. ■ Peut nécessiter d'augmenter le temps de cuisson.
Acier inoxydable <ul style="list-style-type: none"> ■ Croûtes dorées, légères ■ Brunissage inégal 	<ul style="list-style-type: none"> ■ Peut nécessiter d'augmenter le temps de cuisson.
Plats en grès/Pierre de cuisson <ul style="list-style-type: none"> ■ Croûtes croustillantes 	<ul style="list-style-type: none"> ■ Suivre les instructions du fabricant.
Plats en verre, vitrocéramique ou céramique allant au four <ul style="list-style-type: none"> ■ Croûtes brunes, croustillantes 	<ul style="list-style-type: none"> ■ Peut nécessiter de réduire la température de cuisson de 25°F (15°C).

Thermomètre à viande

Sur les modèles sans sonde thermométrique, toujours se servir d'un thermomètre à viande pour vérifier la cuisson de la viande, de la volaille et du poisson. C'est la température interne qui importe et non l'apparence. Il n'y a pas de thermomètre à viande fourni avec cet appareil.

- Insérer le thermomètre au centre de la partie la plus épaisse de la viande ou à l'intérieur de la cuisse ou de la poitrine de la volaille. La pointe du thermomètre ne doit pas toucher le gras, l'os ou le cartilage.
- Après une première lecture, enfoncer 1/2" (1,3 cm) de plus dans la viande et faire une autre lecture. Si la température est plus basse, faire cuire la viande ou la volaille plus longtemps.
- Vérifier toute viande, volaille et poisson à 2 ou 3 endroits.

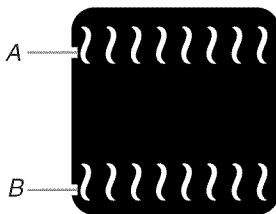
Évent du four



A. Évent du four

Ne pas obstruer ni couvrir l'évent du four car il permet à l'air chaud et à l'humidité de s'échapper du four. Son obstruction nuirait à la circulation adéquate de l'air et affecterait les résultats de cuisson et de nettoyage. Ne pas placer près de l'évent du four des produits en plastique, en papier ou autres articles qui pourraient fondre ou brûler.

Cuisson au four



A. Élément du grill (exemple seulement)
B. Élément de cuisson au four (exemple seulement)

La fonction BAKE est idéale pour la cuisson au four, le rôtissage ou pour chauffer les mets en sauce.

Durant la cuisson au four ou le rôtissage, les éléments de cuisson au four et du grill s'allument et s'éteignent par intermittence afin de maintenir la température du four constante.

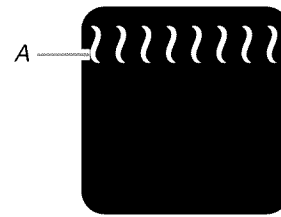
Si la porte du four est ouverte durant la cuisson au four ou le rôtissage, les éléments du grill et de cuisson au four s'éteindront immédiatement. Ces éléments se rallument lorsque la porte est refermée.

Pour la cuisson au four ou le rôtissage :

Avant la cuisson au four et le rôtissage, placer les grilles tel qu'indiqué à la section "Positionnement des grilles et ustensiles de cuisson". Lors du rôtissage, il n'est pas nécessaire d'attendre que le four soit préchauffé avant d'y placer l'aliment sauf si la recette le recommande.

1. Tourner le bouton SELECTOR (sélecteur) à BAKE (cuisson au four).
L'affichage indiquera 350°F (177°C).
2. Tourner le bouton SET (réglage) à la température désirée.
La gamme de cuisson au four peut être réglée entre 170°F et 500°F (77°C et 260°C).
3. Appuyer sur le bouton ENTER (entrer) pour la mise en marche, sinon après 10 secondes, la cuisson commencera automatiquement.
4. Tourner le bouton SELECTOR à la position RESET (remise en marche) lorsque la cuisson est terminée.

Cuisson au grill



A. Élément du grill (exemple seulement)

La cuisson au grill utilise une chaleur radiante directe pour cuire les aliments. Le changement de température lors de la cuisson au grill permet un contrôle plus précis lors de la cuisson. Plus la température est basse, plus la cuisson est lente. Les morceaux plus épais et de forme irrégulière de viande, de poisson et de volaille peuvent mieux cuire à des températures de grill plus basses.

- Utiliser seulement la lèchefrite et la grille fournies avec la cuisinière. Elles sont conçues pour laisser s'écouler les jus et empêcher les éclaboussures et la fumée.
- Pour un écoulement approprié, ne pas couvrir la grille de papier d'aluminium. Le fond de la lèchefrite peut être garni de papier d'aluminium pour faciliter le nettoyage.
- Enlever l'excès de gras pour réduire les éclaboussures. Entailler le gras restant pour empêcher la viande de se cintrer.
- Retirer la grille jusqu'à la butée d'arrêt avant de tourner ou d'enlever les aliments. Utiliser des pinces pour tourner les aliments afin d'éviter la perte de jus. Il est possible qu'il ne soit pas nécessaire de tourner les coupes très minces de poisson, volaille ou viande.
- Après la cuisson au grill, sortir la lèchefrite du four en même temps que l'aliment. Ce qui reste au fond de la lèchefrite cuira si on laisse celle-ci dans un four encore chaud, ce qui rend le nettoyage plus difficile.

Avant la cuisson au grill, placer la grille tel qu'indiqué dans le tableau de cuisson au grill. Il n'est pas nécessaire de préchauffer le four avant d'y placer les aliments, excepté si la recette le recommande. Placer l'aliment sur la grille dans la lèchefrite, ensuite placer celle-ci au centre de la grille du four.

Cuisson au grill :

1. Fermer la porte.
2. Tourner le bouton SELECTOR (sélecteur) à BROIL (cuisson au grill).
"HI" apparaîtra sur l'affichage.
3. Tourner le bouton SET (réglage) au niveau désiré de cuisson au grill.
4. Appuyer sur le bouton ENTER (entrer) pour la mise en marche, sinon après 10 secondes, la cuisson commencera automatiquement.
5. Tourner le bouton SELECTOR (sélecteur) à la position RESET (remise en marche) lorsque la cuisson est terminée.

Réglages de cuisson au grill

Utiliser le tableau suivant lors du réglage des niveaux de cuisson au grill et des températures de cuisson au grill.

NIVEAU DE CUISSON AU GRIL	POURCENTAGE DE CUISSON AU GRIL	TEMPÉRATURE DE CUISSON AU GRIL
HI	100	500°F (260°C)
Br4	90	450°F (232°C)
Br3	80	400°F (204°C)
Br2	70	350°F (177°C)
LOW	60	300°F (149°C)

TABLEAU DE CUISSON AU GRIL

Pour obtenir les meilleurs résultats, placer l'aliment à au moins 3" (7 cm) de l'élément du grill. Les durées de cuisson indiquées sont des recommandations et peuvent être ajustées selon les goûts individuels. Les positions recommandées de la grille sont indiquées de la base (1) jusqu'en haut (5). Pour un dessin, voir la section "Positionnement des grilles et ustensiles".

ALIMENTS	POSITION DE LA GRILLE	NIVEAU DE CUISSON AU GRIL	DURÉE TOTALE (min.)
Bifteck 1" (2,5 cm) d'épaisseur saignant à point à point bien cuit	4 4 4	HI HI HI	21-23 23-25 27-29
Galettes de viande hachée* ¾" (2 cm) d'épaisseur bien cuit	4	HI	20-22
Côtelettes de porc 1" (2,5 cm) d'épaisseur	4	HI	30-33
Côtelettes d'agneau 1" (2,5 cm) d'épaisseur	4	HI	22-26
Poulet morceaux avec os poitrines désossées	3 4	HI HI	34-40 22-32
Poisson Filets ¼-½" (0,6-1,3 cm) d'épaisseur Darnes ¾-1" (2-2,5 cm) d'épaisseur	4 4	HI HI	12-15 24-27

*Placer jusqu'à 9 galettes, également espacées sur la grille de la lèchefrite.

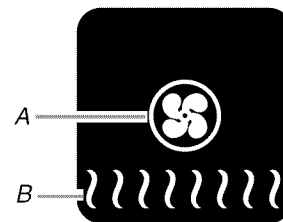
Cuisson par convection

Dans un four à convection, l'air chaud que fait circuler le ventilateur distribue continuellement la chaleur plus uniformément que le mouvement naturel de l'air dans un four thermique standard. Ce déplacement de l'air chaud maintient une température uniforme dans tout le four, permettant de cuire les aliments plus uniformément, en plus de donner des surfaces croustillantes tout en scellant l'humidité pour des pains plus croustillants.

La plupart des aliments peuvent être cuits en réduisant les températures de cuisson de 25°F à 50°F (14°C à 28°C) et la durée de cuisson peut être réduite jusqu'à 30 pour cent, surtout pour les gros rôtis et dindes.

- Il est important de ne pas couvrir les aliments de telle sorte que la surface demeure exposée au déplacement de l'air, permettant ainsi le brunissage et le croustillage.
- Maintenir la perte de chaleur au minimum en ouvrant la porte du four seulement lorsque nécessaire.
- Choisir des tôles à biscuits sans rebord et des plats de rôtissage à côtés plus bas pour permettre à l'air de circuler librement autour de l'aliment.
- Vérifier le degré de cuisson des aliments quelques minutes avant le temps de cuisson minimum, avec un cure-dent par exemple.
- Utiliser un thermomètre à viande ou une sonde thermométrique pour déterminer le degré de cuisson des viandes et de la volaille. Vérifier la température du porc et de la volaille à deux ou trois endroits.

Cuisson au four par convection



A. Élément de convection et ventilateur
(exemple seulement)

B. Élément de cuisson au four
(exemple seulement)

La cuisson au four par convection peut être utilisée pour cuire des gâteaux délicats et des pâtisseries ainsi que des aliments sur plusieurs grilles. Il est utile de décaler les articles sur les grilles pour permettre un déplacement plus uniforme de la chaleur. Si le four est plein, il faudra peut-être un temps de cuisson supplémentaire.

Lors de la cuisson au four d'un repas comportant plusieurs types différents d'aliments, s'assurer de choisir des recettes nécessitant des températures semblables. Prévoir un espace d'au moins 1" (2,5 cm) entre l'ustensile de cuisson et les parois du four.

Lors du préchauffage pour la cuisson au four par convection, les éléments de convection et de cuisson au four chauffent la cavité du four. Après le préchauffage, les éléments de convection et de cuisson au four s'allument et s'éteignent par intermittence pour maintenir la température du four et le ventilateur fait constamment circuler l'air chaud.

Si la porte du four est ouverte durant la cuisson au four par convection ou le préchauffage, les éléments de cuisson au four et de convection et le ventilateur s'éteignent immédiatement. Ils se remettent en marche une fois la porte fermée.

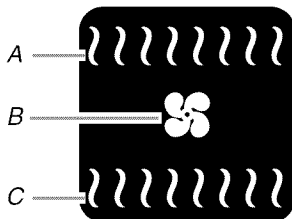
- Réduire la température recommandée dans la recette de 25°F (14°C). La durée de cuisson peut aussi nécessiter d'être réduite.

Cuisson au four par convection :

Avant la cuisson au four par convection, placer les grilles tel qu'indiqué dans la section "Positionnement des grilles et des ustensiles de cuisson". Lors de l'utilisation de deux grilles, les placer aux positions de grille 2 et 4. Lors de l'utilisation de trois grilles, les placer aux positions de grille 1, 3 et 5.

1. Tourner le bouton SELECTOR (sélecteur) à CONVECT BAKE (cuisson au four par convection). L'affichage indiquera 325°F (163°C).
2. Tourner le bouton SET (réglage) à la température désirée. La gamme de cuisson au four par convection peut être réglée entre 170°F et 500°F (77°C et 260°C).
3. Appuyer sur le bouton ENTER (entrer) pour la mise en marche, sinon après 10 secondes, la cuisson commencera automatiquement.
4. Tourner le bouton SELECTOR à la position RESET (remise en marche) lorsque la cuisson est terminée.

Rôtissage par convection



- A. Élément du gril (exemple seulement)
- B. Ventilateur de convection (exemple seulement)
- C. Élément de cuisson au four (exemple seulement)

Le rôtissage par convection peut être utilisé pour faire rôtir les viandes et la volaille, ou pour faire cuire des pains à levure et des quatre-quarts sur une seule grille. Durant le rôtissage par convection, les éléments de cuisson au four et de gril s'allument et s'éteignent par intermittence pour maintenir la température du four et le ventilateur fait circuler constamment l'air chaud.

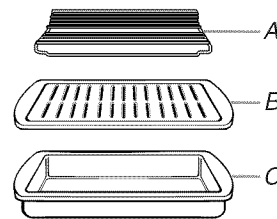
Si la porte du four est ouverte durant le rôtissage par convection, les éléments du gril et de cuisson au four et le ventilateur s'éteignent immédiatement. Ils se remettent en marche lorsqu'on referme la porte.

- Réduire la température dans la recette de 25°F (14°C). La durée de cuisson peut aussi nécessiter d'être réduite.

Rôtissage par convection :

Avant le rôtissage par convection, placer les grilles tel qu'indiqué dans la section "Positionnement des grilles et des ustensiles de cuisson". Il n'est pas nécessaire de préchauffer le four avant d'y placer l'aliment, excepté si la recette le recommande.

Utiliser la grille de rôtissage au-dessus de la lèche-frite et de sa grille. L'aliment repose ainsi au-dessus de la grille et l'air peut circuler librement autour de toutes les surfaces.



- A. Grille de rôtissage
- B. Grille de la lèche-frite
- C. Lèche-frite

1. Tourner le bouton SELECTOR (sélecteur) à CONVECT ROAST (rôtissage par convection). L'afficheur indiquera 300°F (149°C).
2. Tourner le bouton SET (réglage) à la température désirée. La gamme de rôtissage par convection peut être réglée entre 170°F et 500°F (77°C et 260°C).
3. Appuyer sur le bouton ENTER (entrer) pour la mise en marche, sinon après 10 secondes, le rôtissage commencera automatiquement.
4. Tourner le bouton SELECTOR à la position RESET (remise en marche) lorsque la cuisson est terminée.

TABLEAU DE RÔTISSAGE PAR CONVECTION

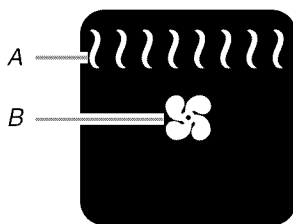
Utiliser le tableau suivant lors du rôtissage par convection des viandes et de la volaille.

ALIMENT/ POSITION DE LA GRILLE	DURÉE DE CUISSON (en minutes pour 1 lb)	TEMP. DU FOUR	TEMP. INTERNE DE L'ALIMENT
Boeuf, position de grille 2			
Rôti de côte			
saignant	20-25		140°F (60°C)
à point	25-30	300°F (149°C)	160°F (71°C)
bien cuit	30-35		170°F (77°C)
Rôti de côte (désossé)			
saignant	22-25	300°F (149°C)	140°F (60°C)
à point	27-30		160°F (71°C)
bien cuit	32-35		170°F (77°C)
Rôti de croupe ou d'ailoyau			
saignant	20-25		140°F (60°C)
à point	25-30	300°F (149°C)	160°F (71°C)
bien cuit	30-35		170°F (77°C)
Pain de viande	20-25	325°F (160°C)	170°F (77°C)
Veau, position de grille 2			
Rôti de longe, de côte, de croupe			
à point	25-35	325°F (160°C)	160°F (71°C)
bien cuit	30-40		170°F (77°C)

ALIMENT/ POSITION DE LA GRILLE	DURÉE DE CUISSON (en minutes pour 1 lb)	TEMP. DU FOUR	TEMP. INTERNE DE L'ALIMENT
Porc, position de grille 2			
Rôti de longe (désossé)	30-40	325°F (160°C)	170°F (77°C)
Rôti d'épaule	35-40	325°F (160°C)	170°F (77°C)
Jambon, position de grille 2			
Frais (non cuit) Entièrement cuit	25-35 15-20	300°F (149°C)	170°F (77°C)
Agneau, position de grille 2			
Gigot, rôti d'épaule à point bien cuit	25-30 30-35	300°F (149°C)	160°F (71°C) 170°F (77°C)
Poulet*, position de grille 2			
Entier 3-5 lb (1,5-2,2 kg)	20-25	325°F (160°C)	185°F (85°C)
5-7 lb (2,2-3,1 kg)	15-20	325°F (160°C)	185°F (85°C)
Dinde*, position de grille 1 ou 2			
13 lb et moins (5,85 kg)	10-15	300°F (149°C)	185°F (85°C)
Plus de 13 lb (5,85 kg)	10-12	300°F (149°C)	185°F (85°C)
Poulet de Cornouailles*, position de grille 2 ou 3			
1-1,5 lb (0,5-0,7 kg)	50-60	325°F (160°C)	185°F (85°C)

*Ne pas farcir la volaille lors du rôtissage par convection.

Cuisson au gril par convection



A. Élément du gril (exemple seulement)
B. Ventilateur (exemple seulement)

Durant la cuisson au gril par convection, l'élément du gril s'allume et s'éteint par intermittence pour maintenir la température du four, et le ventilateur fait circuler constamment l'air chaud.

La température est pré-réglée à 500°F (260°C), soit "HI", mais elle peut être changée à une température différente. Les durées de cuisson varient en fonction de la position de la grille et de la température et il peut être nécessaire de les ajuster.

Si la porte du four est ouverte durant la cuisson au gril par convection, l'élément du gril et le ventilateur s'éteignent immédiatement. Ils se remettent en marche lorsqu'on referme la porte.

Cuisson au gril par convection :

Avant la cuisson au gril par convection, voir la section "Cuisson au gril" pour des directives générales sur la cuisson au gril. Placer la grille.

Laisser le four préchauffer pendant 5 minutes. Placer les aliments sur la grille non chauffée sur la lèchefrite, puis placer la lèchefrite au centre de la grille du four, avec le côté le plus long de la lèchefrite en parallèle à la porte du four.

1. Fermer la porte.
2. Tourner le bouton SELECTOR (sélecteur) à CONVECT BROIL (cuisson au gril par convection).
L'affichage indiquera "HI."
3. Tourner le bouton SET (réglage) au niveau désiré de cuisson au gril par convection.
4. Appuyer sur le bouton ENTER (entrer) pour la mise en marche, sinon après 10 secondes, la cuisson commencera automatiquement.
5. Tourner le bouton SELECTOR à la position RESET (remise en marche) lorsque la cuisson est terminée.

Levée du pain

La levée du pain prépare la pâte pour la cuisson en faisant agir la levure. Suivre les recommandations dans votre recette.

Pour faire lever la pâte :

Avant la première levée, placer la pâte dans un moule légèrement graissé et recouvrir légèrement de papier ciré, enduit de shortening. Placer sur la grille en position deux, puis placer la lèchefrite en position un. Voir le dessin à la section "Positionnement des grilles et des ustensiles de cuisson". Verser 2 tasses (500 mL) d'eau bouillante dans la lèchefrite. Fermer la porte.

1. Tourner le bouton SELECTOR (sélecteur) à PROOF/KEEP WARM (levée/garder au chaud).
L'afficheur indiquera 100°F (38°C).
2. Appuyer sur le bouton ENTER (entrer) pour la mise en marche, sinon, après 10 secondes, le programme commencera automatiquement.
Laisser la pâte monter jusqu'à presque doubler de volume, en vérifiant après 20-25 minutes. La durée de levée dépend du type et de la quantité de pâte.
3. Tourner le bouton SELECTOR à la position RESET (remise en marche) lorsque la levée est terminée.

Avant la deuxième levée, façonner la pâte, la placer dans un/des moule(s) et la recouvrir légèrement de pellicule de plastique enduite de vaporisant à cuisson. Suivre les mêmes étapes que précédemment concernant la position de la grille, la lèchefrite et l'eau. Avant de faire cuire, enlever la pellicule de plastique.

Pour cuisson au four :

1. Tourner le bouton SELECTOR à BREAD BAKING (cuisson au four du pain).
L'affichage indiquera 430°F (221°C).
2. Tourner le bouton SET à la température de préchauffage désirée.
La température de préchauffage est réglable entre 430°F et 390°F (221°C et 199°C).
3. Appuyer sur le bouton ENTER pour la mise en marche, sinon après 10 secondes la cuisson commencera automatiquement.
Lorsque le four atteint la température préréglée, un signal sonore se fera entendre et l'affichage du four indiquera 40°F (22°C) en-dessous de la température de préchauffage réglée à 350°F-390°F (177°C-199°C).
4. Tourner le bouton SELECTOR à la position RESET lorsque la cuisson est terminée.

Garder au chaud

AVERTISSEMENT

Risque d'empoisonnement alimentaire

Ne pas laisser des aliments dans un four plus d'une heure avant ou après la cuisson.

Le non-respect de cette instruction peut causer un empoisonnement alimentaire ou une maladie.

La fonction Keep Warm (garder au chaud) permet aux aliments chauds de demeurer chauds avant d'être servis; Cette fonction peut être utilisée aussi à la fin d'une cuisson minutée. (Voir la section "Cuisson minutée".)

Utilisation :

1. Tourner le bouton SELECTOR à PROOF/KEEP WARM (Levée/Garder au chaud).
2. Régler le bouton SET à 170° F (77° C).
3. Appuyer sur ENTER pour mettre en marche, sinon après 10 secondes la fonction commencera automatiquement.
4. Tourner le bouton SELECTOR à la position RESET (remise en marche) lorsque le réchauffage est terminé.

Cuisson minutée

AVERTISSEMENT

Risque d'empoisonnement alimentaire

Ne pas laisser des aliments dans un four plus d'une heure avant ou après la cuisson.

Le non-respect de cette instruction peut causer un empoisonnement alimentaire ou une maladie.

La cuisson minutée permet de régler le four pour s'allumer à une certaine heure du jour, cuire pendant une durée établie, et/ou s'arrêter automatiquement. La mise en marche différée ne doit pas être utilisée pour des aliments tels que les pains et gâteaux parce qu'ils risquent de ne pas bien cuire.

S'il y a une pause de 20 secondes entre une des étapes suivantes, le programme commencera automatiquement aux réglages en cours.

Réglage de la durée de cuisson :

1. Régler la fonction de cuisson désirée, en tournant le bouton SELECTOR.
2. Tourner le bouton SET à la position désirée.
3. Appuyer sur le bouton ENTER deux fois. L'indicateur de durée clignotera et "-0:00" apparaîtra sur l'afficheur.
4. Tourner le bouton SET (réglage) pour établir la durée de cuisson.
5. Appuyer de nouveau sur le bouton ENTER (entrer) pour examiner l'heure d'arrêt.
Pour régler une heure d'arrêt différente, tourner le bouton SET.
6. Appuyer sur le bouton ENTER. Procéder à l'étape suivante pour le brunissage, sinon la cuisson minutée commencera automatiquement après 20 secondes.

Utilisation de la fonction de brunissage (disponible avec la cuisson au four, la cuisson au four par convection, et le rôtissage par convection) :

Répéter les étapes de la cuisson minutée indiquées ci-dessus. Le témoin lumineux de brunissage clignotera. Tourner le bouton SET à "brn1", "brn2", ou "brn3". (Choisir "brn0" pour annuler la fonction de brunissage.) Appuyer sur ENTER et le témoin lumineux de brunissage s'illuminera (si activé). Passer à la section suivante sinon la cuisson minutée commencera automatiquement après 20 secondes.

Utilisation de la fonction Garder au chaud :

Répéter les étapes de la cuisson minutée et du brunissage indiquées ci-dessus et le témoin lumineux KEEP WARM (Garder au chaud) clignotera. Tourner le bouton SET pour choisir la température Garder au chaud de 170°F (77°C), ou "---F" pour annuler la fonction de Garder au chaud. Appuyer sur le bouton ENTER et le témoin Garder au Chaud s'illuminera (si activé).

Lorsque END (fin de programme) est affiché et que le four émet un signal sonore, la cuisson minutée est terminée. Tourner le bouton SELECTOR à la position RESET (remise en marche).

Annulation des fonctions de durée de cuisson, heure d'arrêt, brunissage et Garder au chaud :

Tourner le bouton SELECTOR à la position RESET ou appuyer sur le bouton CANCEL (annulation).

ENTRETIEN DE LA CUISINIÈRE

Programme d'autonettoyage (sur certains modèles)

⚠ AVERTISSEMENT



Risque de brûlures

Ne pas toucher le four au cours du programme d'autonettoyage.

Garder les enfants loin du four au cours du programme d'autonettoyage.

Le non-respect de ces instructions peut causer des brûlures.

IMPORTANT : La santé de certains oiseaux est très sensible aux émanations qui surviennent durant le programme d'autonettoyage. L'exposition aux émanations peut entraîner la mort de certains oiseaux. Toujours déplacer les oiseaux dans une autre pièce fermée et bien aérée.

Procéder à l'autonettoyage du four avant qu'il ne devienne très sale. Les saletés intenses nécessitent un nettoyage plus long et dégagent plus de fumée.

Veiller à ce que la cuisine soit bien aérée pendant le programme d'autonettoyage afin d'aider à éliminer la chaleur, les odeurs et la fumée.

Ne pas obstruer le ou les événements du four durant le programme d'autonettoyage. L'air doit pouvoir circuler librement. Selon votre modèle, voir la section "Évent du four" ou "Événements du four".

Ne pas nettoyer, frotter, endommager ou déplacer le joint d'étanchéité de la porte du four. Le joint de la porte est essentiel pour une bonne étanchéité.

Préparation du four :

- Sortir du four la lèchefrite, la grille et les ustensiles de cuisson au four et, sur certains modèles, la sonde thermométrique.
- Enlever tout papier d'aluminium du four ; celui-ci risquerait de brûler ou de fondre et d'endommager le four.
- Sortir les grilles du four pour les garder brillantes et pour qu'elles glissent facilement. Voir la section "Nettoyage général" pour plus de renseignements.
- Nettoyer manuellement l'intérieur de la porte et une zone de 1½" (3,8 cm) sur le pourtour du cadre de la cavité du four, en prenant soin de ne pas déplacer ni plier le joint d'étanchéité. Cette section ne devient pas assez chaude au cours du programme d'autonettoyage pour pouvoir éliminer la saleté. Ne pas laisser de l'eau, un nettoyant, etc. pénétrer dans les fentes du cadre de la porte. Nettoyer cette zone avec un chiffon humide.
- Essuyer toute saleté décollée afin de réduire la fumée et d'éviter les dommages. À des températures élevées, les aliments réagissent avec la porcelaine. Cette réaction peut causer des taches, des attaques, des piqûres ou de légères taches blanches. Ceci n'affectera pas la performance de cuisson.

Fonctionnement du programme

IMPORTANT : Le chauffage et le refroidissement de la porcelaine sur l'acier dans le four peuvent causer une décoloration, une perte de fini luisant, des fissures minuscules et des sons saccadés.

Le programme d'autonettoyage utilise des températures très élevées brûlant les saletés pour les réduire en cendre.

Le four est pré-réglé pour un programme de nettoyage de 3 h 30.

Lorsque le four est complètement refroidi, retirer la cendre avec un chiffon humide. Ne pas utiliser un chiffon humide sur la porte ou le hublot de la porte du four avant que le four soit complètement refroidi sinon le verre risque de se briser.

La lampe du four ne fonctionne pas durant le programme d'autonettoyage.

Autonettoyage :

Avant l'autonettoyage, s'assurer que la porte est complètement fermée, sinon elle ne se verrouillera pas et le programme ne commencera pas.

1. Tourner le bouton SELECTOR (sélectionneur) à CLEAN (nettoyage).
2. Tourner le bouton SET (réglage) à "On" (activé).
3. Appuyer sur le bouton ENTER (entrer) pour commencer un programme de 3 h 30 pré-réglé non ajustable.

N'oubliez pas : Sur les fours doubles seulement, lorsqu'une cavité de four est en mode d'autonettoyage, l'autre four ne peut être utilisé.

Pour différer l'autonettoyage :

Avant de différer la mise en marche de l'autonettoyage, s'assurer que l'horloge est réglée à la bonne heure. Voir la section "Horloge". S'assurer également que la porte est complètement fermée, sinon elle ne se verrouillera pas et le programme ne commencera pas.

1. Tourner le bouton SELECTOR à CLEAN.
2. Tourner le bouton SET à "On".
3. Appuyer sur le bouton ENTER pour commencer un programme de 3 h 30 pré-réglé non ajustable.
4. Appuyer deux fois sur le bouton ENTER. L'heure de fin de programme sera affichée et la DEL STOP TIME (l'heure affichée d'arrêt) clignotera.
5. Tourner le bouton SET à STOP TIME (heure d'arrêt).
6. Appuyer sur le bouton ENTER. Les témoins DURATION (Durée) et STOP TIME (Heure d'arrêt) s'illumineront.

Pour arrêter le programme d'autonettoyage à tout moment :

Tourner le bouton SELECTOR à RESET (remise en marche) ou appuyer sur le bouton CANCEL (annulation). Si la température du four est trop élevée, la porte demeurera verrouillée. Elle ne se déverrouille pas avant que le four ne soit refroidi.

Nettoyage général

IMPORTANT : Avant le nettoyage, s'assurer que toutes les commandes sont désactivées et que le four et la table de cuisson sont refroidis. Toujours suivre les instructions sur les étiquettes des produits nettoyants.

Du savon, de l'eau et un linge doux ou une éponge sont recommandés, à moins d'indication contraire.

SURFACES EXTERNES EN ÉMAIL VITRIFIÉ

Les renversements d'aliments contenant des produits acides, tels que vinaigre et tomates, doivent être nettoyés dès que l'ensemble de l'appareil est refroidi. Ces renversements peuvent affecter le fini.

Méthode de nettoyage :

- Nettoyant à vitre, nettoyant doux liquide ou tampon à récurer non abrasif :

Nettoyer doucement autour de la plaque signalétique des numéros de modèle et de série car le frottement pourrait en effacer les chiffres.

ACIER INOXYDABLE

Pour éviter d'endommager les surfaces en acier inoxydable, ne pas utiliser de tampons de récurage savonneux, nettoyants abrasifs, crème à polir pour table de cuisson, tampons en laine d'acier, chiffons de lavage rudes ou certains essuie-tout.

Frotter dans la direction du grain pour éviter les dommages.

Méthode de nettoyage :

- Nettoyant et poli pour acier inoxydable KitchenAid® - Pièce n° 4396920 (non inclus) : Voir la section "Assistance ou service" pour passer une commande.
- Détergent liquide ou nettoyant tout-usage : Rincer à l'eau propre et sécher avec un chiffon doux sans charpie.
- Vinaigre pour les taches d'eau dure.

GRILLES ET CHAPEAUX ÉMAILLÉS

Les renversements d'aliments contenant des acides, tels que le vinaigre et les tomates, doivent être nettoyés aussitôt que la table de cuisson, les grilles et les chapeaux sont refroidis. Ces renversements peuvent affecter le fini.

Pour éviter l'écaillage, ne pas entrechoquer les grilles et les chapeaux ni les frapper contre des surfaces dures telles que les ustensiles en fonte.

Ne pas réinstaller les chapeaux sur les brûleurs quand ils sont mouillés.

Ne pas les nettoyer au moyen du programme d'autonettoyage.

Ne pas nettoyer au lave-vaisselle.

Méthode de nettoyage :

- Tampon à récurer en plastique non abrasif et nettoyant liquide doux légèrement abrasif : Nettoyer dès que la table de cuisson, les grilles et les chapeaux sont refroidis.

BRÛLEURS DE SURFACE

Modèles à brûleurs scellés

Voir la section "Brûleurs de surface scellés".

BOUTONS DE COMMANDE DE LA TABLE DE CUISSON

Ne pas utiliser de la laine d'acier ou des produits de nettoyage abrasifs ou un nettoyant pour four.

Ne pas faire tremper les boutons.

Lors de la réinstallation des boutons, s'assurer que chaque bouton est à la position d'arrêt (Off).

Sur certains modèles, ne pas enlever les joints sous les boutons.

REMARQUE : Lors de la réinstallation des boutons après le nettoyage des commandes des brûleurs de surface ou du module de grill, vérifier que les boutons sont réinstallés à l'emplacement correct. Par exemple, les boutons de la commande des brûleurs de surface doivent afficher "LITE", alors que le bouton du grill doit afficher "LITE/Hi".

Méthode de nettoyage :

- Savon et eau ou lave-vaisselle :

Tirer les boutons directement hors du tableau de commande pour les enlever.

TABLEAU DE COMMANDE

Ne pas utiliser des nettoyants abrasifs, tampons en laine d'acier, chiffons de lavage rudes ou certains essuie-tout en papier. Des dommages peuvent survenir.

Méthode de nettoyage :

- Savon et eau. Laver, rincer et sécher avec un chiffon doux.
- Un nettoyant à vitre, un linge doux ou une éponge : Appliquer le nettoyant à vitre sur un linge doux ou une éponge, et non pas directement sur le tableau.

PLAQUE DE MIJOTAGE ET PLAQUE À FRIRE

Ne pas la nettoyer dans le lave-vaisselle.

Méthode de nettoyage :

- Détergent liquide et eau. Essuyer avec un chiffon ou une éponge humide, puis rincer à l'eau propre et sécher avec un chiffon.
- Produit nettoyant légèrement abrasif : Frotter dans le sens du grain avec un chiffon ou une éponge humide. Rincer à fond. Répéter au besoin.

EXTÉRIEUR DE LA PORTE DU FOUR

Méthode de nettoyage :

- Nettoyant à vitre et essuie-tout ou tampon à récurer en plastique non abrasif : Appliquer le nettoyant à vitre sur un chiffon doux ou une éponge, et non pas directement sur le tableau.

CAVITÉ DU FOUR

Ne pas utiliser les nettoyants à four.

Les renversements d'aliments doivent être nettoyés lorsque le four est refroidi. Aux températures élevées, l'aliment réagit avec la porcelaine et des taches, éclats, piqûres ou marques blanchâtres peuvent survenir.

Méthode de nettoyage :

- Programme d'autonettoyage :
Voir d'abord "Programme d'autonettoyage".

GRILLES DU FOUR ET DE RÔTISSAGE

Méthode de nettoyage :

- Programme d'autonettoyage :
Voir d'abord "Programme d'autonettoyage". Ôter les grilles sinon elles se décolorent et deviendront plus difficiles à glisser. Le cas échéant, un léger revêtement d'huile végétale appliqué sur les glissières des grilles les aidera à mieux glisser.
- Tampon en laine d'acier

LÈCHEFRITE ET GRILLE

Ne pas nettoyer au moyen du programme d'autonettoyage.

Méthode de nettoyage :

- Nettoyant légèrement abrasif :
Frotter avec un tampon à récurer mouillé.
- Solution de ½ tasse (125 mL) d'ammoniaque pour 1 gallon (3,75 L) d'eau :
Laisser tremper pendant 20 minutes, ensuite frotter avec un tampon à récurer ou en laine d'acier.
- Nettoyant pour four :
Suivre le mode d'emploi sur l'étiquette du produit.

Email vitrifié seulement, non le chrome

- Lave-vaisselle

MODULE DE GRIL

Pour plus de renseignements, voir la section "Gril."

Ne pas utiliser de nettoyants à four, brosses métalliques, tampons à récurer abrasifs ou autres accessoires de récurage destinés au nettoyage de grils de barbecue.

Méthode de nettoyage :

Grille du gril

Ne pas nettoyer la grille du gril dans le lave-vaisselle.

Ne pas la nettoyer dans un four autonettoyant.

- Nettoyer la grille du gril peu de temps après la cuisson et après avoir éteint le brûleur.
- Nettoyer la grille du gril lorsqu'elle est encore tiède avec une brosse à soies douces pour barbecue. Vous pouvez porter des mitaines de four pour ce nettoyage.
- Pour un nettoyage à fond de la grille du gril, la tremper dans de l'eau tiède savonneuse pendant 30 minutes. Après le trempage, frotter avec un tampon non abrasif.

Plateau nervuré et plaque nervurée

- Tremper dans de l'eau tiède savonneuse pour dégager la saleté. Après le trempage, frotter avec un tampon non abrasif.

Ensemble de brûleur

Ne pas tremper dans l'eau.

- Savon et eau ou nettoyant non abrasif.
- Chiffon humide ou tampon non abrasif.

Protecteur anti-déversement avant et plateau ramasse-gouttes

Laisser la table de cuisson refroidir complètement avant le nettoyage.

- Savon et eau ou nettoyant non abrasif.
- Chiffon humide ou tampon non abrasif.

Bassin du module

- Eau tiède savonneuse.
- Tampon non abrasif ou éponge.
- Pour des saletés intenses, tremper des essuie-tout dans un nettoyant ménager et les étendre sur les saletés pendant au moins une demi-heure ou plus. Après le trempage, frotter avec un tampon non abrasif.

MODULE DE LA PLAQUE À FRIRE

Nettoyer la plaque à frire peu de temps après avoir ôté les aliments et éteint le brûleur.

Méthode de nettoyage :

- Pour nettoyer la surface, utiliser une pierre ponce ou un tamis de nettoyage. Pour éviter d'endommager la surface, toujours frotter dans la direction des lignes de polissage. La pierre ponce ou le tamis de nettoyage peuvent être achetés dans un magasin de fournitures pour restaurants ou un magasin d'articles de cuisine.
- Eau chaude savonneuse et/ou tampon à récurer doux en plastique.
- Après le nettoyage, sécher la surface avec un chiffon doux ou une éponge. Pour protéger le fini et prévenir la rouille, enduire toute la surface d'une légère couche d'huile végétale.

Plateau ramasse-gouttes et zone sous-jacente

Laisser la table de cuisson refroidir complètement avant le nettoyage.

- Savon et eau ou nettoyant non abrasif.
- Chiffon humide ou tampon non abrasif.
- Sécher complètement avant de placer le plateau ramasse-gouttes en position.

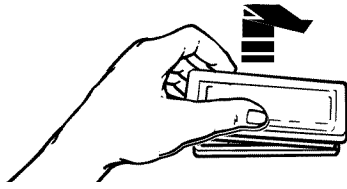
Lampes du four

Les lampes du four ont des ampoules halogènes de 12 volts, 5 watts maximum. Elles s'allument lorsque la porte est ouverte. Sur les modèles de fours doubles, les lumières supérieure et inférieure s'allument lorsqu'une des portes du four est ouverte. Elles ne fonctionneront pas durant le programme d'autonettoyage. Lorsque la porte est fermée, appuyer sur OVEN LIGHT (lampe du four) pour les allumer ou les éteindre.

Remplacement :

Avant le remplacement, s'assurer que le four est éteint et froid.

1. Interrompre le courant électrique.
2. Enlever le couvercle en verre des ampoules en saisissant le bord avant et en tirant.



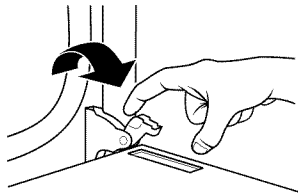
3. Enlever l'ampoule de la douille.
4. Remplacer l'ampoule en utilisant un chiffon ou en portant des gants de coton pour la manipulation. Ne pas toucher l'ampoule avec les doigts nus.
5. Réinstaller le couvercle de l'ampoule en l'emboîtant dans la paroi.
6. Rétablir le courant.

Porte du four

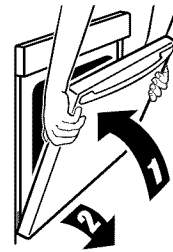
Il n'est pas recommandé d'enlever la porte du four pour une utilisation normale. Toutefois, si la dépose est nécessaire, s'assurer que le four est éteint et froid. Puis, suivre ces instructions. La porte du four est lourde.

Dépose :

1. Ouvrir la porte du four complètement.
2. Relever le verrou de charnière de chaque côté.

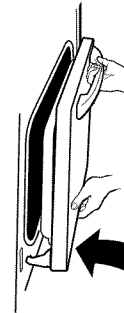


3. Fermer la porte du four aussi loin qu'elle peut aller.
4. Soulever la porte du four en la retenant de chaque côté. Continuer de maintenir la porte du four fermée et la dégager du châssis de la porte du four.



Réinstallation :

1. Insérer les deux bras de suspension dans la porte.



2. Ouvrir la porte du four. Vous devriez entendre un déclic lors de la mise en place de la porte.
3. Remettre les leviers des charnières à la position verrouillée. Effectuer quelques manœuvres d'ouverture/fermeture de la porte du four pour vérifier le bon fonctionnement. En cas d'impossibilité d'ouverture ou de fermeture parfaite de la porte, répéter le processus de dépose et d'installation de la porte.

DÉPANNAGE

Essayer les solutions suggérées ici d'abord afin d'éviter le coût d'une visite de service non nécessaire.

Rien ne fonctionne

- **Un fusible est-il grillé ou le disjoncteur s'est-il ouvert?**
Remplacer le fusible ou remettre le disjoncteur en fonction. Si le problème persiste, appeler un électricien.

Les brûleurs de surface ne fonctionnent pas

- **Est-ce la première fois que les brûleurs de surface sont utilisés?**
Tourner n'importe lequel des boutons de brûleur de surface pour libérer l'air des canalisations de gaz.
- **Le bouton de commande est-il bien réglé?**
Pousser sur le bouton avant de le tourner à un réglage.
- **Les orifices du brûleur sont-ils obstrués?**
Sur les modèles à brûleurs scellés, voir la section "Brûleurs de surface scellés."

Les flammes du brûleur de surface ne sont pas uniformes, sont de teinte jaune et/ou sont bruyantes

- **Les orifices du brûleur sont-ils obstrués?**
Sur les modèles à brûleurs scellés, voir la section "Brûleurs de surface scellés".
- **Sur les modèles avec chapeaux, les chapeaux de brûleur sont-ils installés correctement?**
Voir la section "Brûleurs de surface scellés".
- **Utilise-t-on du gaz propane?**
Il est possible que l'appareil n'ait pas été converti convenablement. Contacter un technicien d'entretien qualifié.

Le brûleur de surface émet des bruits d'éclatement

- **Le brûleur est-il mouillé?**
Le laisser sécher.

Le brûleur produit des étincelles mais ne s'allume pas

- **Y a-t-il des étincelles continues sans que le brûleur ne s'allume?**

Ne pas utiliser le brûleur de surface et contacter un technicien d'entretien qualifié.

Chaleur excessive autour des ustensiles de cuisson sur la table de cuisson

- **L'ustensile est-il de dimension appropriée?**

Utiliser un ustensile de cuisson à peu près de la même dimension que la surface de cuisson, de l'élément ou du brûleur de surface. L'ustensile de cuisson ne doit pas dépasser plus de 1/2" (1,3 cm) hors de la surface de cuisson.

Les résultats de cuisson ne sont pas ce qui était prévu

- **Un ustensile de cuisson approprié a-t-il été employé?**

Voir la section "Ustensiles de cuisson."

- **Le bouton de commande est-il réglé au niveau approprié de chaleur?**

Voir la section "Commandes de la table de cuisson."

- **L'appareil est-il d'aplomb?**

Niveler l'appareil. Voir les instructions d'installation.

Les résultats de cuisson avec le gril ou la plaque à frire ne sont pas ce qui était prévu

- **Le gril ou la plaque à frire a-t-il(elle) été préchauffé(e)?**

Préchauffer le gril ou la plaque à frire. Voir les sections "Gril" ou "Plaque à frire" pour plus de renseignements.

- **Existe-t-il une circulation d'air appropriée autour des aliments?**

Espacer les aliments uniformément sur les grilles du gril.

- **La cuisson des aliments prend-elle trop de temps?**

Les aliments partiellement congelés ou très froids augmenteront la durée de cuisson. Décongeler complètement les aliments.

Le four ne fonctionne pas

- **Les commandes électroniques du four sont-elles réglées correctement?**

Voir la section "Commandes électroniques du four".

Le ventilateur de refroidissement fonctionne pendant la cuisson au four, la cuisson au gril ou le nettoyage

- Il est normal que le ventilateur se mette automatiquement en marche lorsque le four fonctionne pour refroidir les commandes électroniques; il peut fonctionner jusqu'à 45 minutes après l'arrêt du four.

L'afficheur indique des messages

- **L'afficheur indique-t-il "PF", "PF id=27" ou "PF id=30"?**

Une panne de courant est survenue. Effacer l'affichage. Voir la section "Première utilisation/panne de courant". Sur certains modèles, régler de nouveau l'horloge si nécessaire. Voir la section "Horloge".

- **L'afficheur indique-t-il une lettre suivie par un chiffre?**

Effacer l'affichage. Voir la section "Première utilisation/panne de courant". Si le signal réapparaît, appeler le service.

Le programme d'autonettoyage ne fonctionne pas

- **La porte du four est-elle ouverte?**

Fermer complètement la porte du four.

- **La fonction a-t-elle été entrée?**

Voir la section "Programme d'autonettoyage".

- **Sur certains modèles, une mise en marche différée du programme d'autonettoyage a-t-elle été réglée?**

Voir la section "Programme d'autonettoyage".

- **Une mise en marche différée a-t-elle été réglée?**

Voir la section "Cuisson minutée".

- **L'un des deux fours ne fonctionne pas (sur les modèles à deux fours)?**

Si l'un des fours est en mode d'autonettoyage, le nettoyage du deuxième four est impossible tant que le nettoyage du premier n'est pas terminé et que le four n'a pas refroidi.

Les résultats de cuisson au four ne sont pas les résultats prévus

- **L'appareil est-il d'aplomb?**

Mettre l'appareil d'aplomb. Voir les Instructions d'installation.

- **La température correcte est-elle réglée?**

Augmenter ou diminuer la température de 25°F (14°C).

- **Le four a-t-il été préchauffé?**

Attendre que le four soit préchauffé avant d'y placer les aliments.

- **Le bon ustensile de cuisson a-t-il été employé?**

Voir la section "Ustensiles de cuisson".

- **Les grilles sont-elles en bonne position?**

Voir la section "Positionnement des grilles et des ustensiles de cuisson".

- **Existe-t-il une circulation d'air appropriée autour des ustensiles de cuisson?**

Voir la section "Positionnement des grilles et des ustensiles de cuisson".

- **La pâte est-elle distribuée également dans le plat?**

S'assurer que la pâte est répartie uniformément dans le plat.

- **La durée appropriée de cuisson est-elle été utilisée?**

Augmenter ou diminuer la durée de cuisson au four ou de rôtissage.

- **La porte a-t-elle été ouverte pendant la cuisson?**

En ouvrant la porte pour vérifier la cuisson, la chaleur du four s'échappe, ce qui peut demander des durées de cuisson plus longues.

- **Les articles cuits au four sont-ils trop bruns à la base?**

Diminuer la température du four de 15°F à 25°F (9°C à 14°C).

- **Les bords des croûtes à tarte ont-ils bruni trop tôt?**

Utiliser du papier d'aluminium pour couvrir le bord de la croûte et/ou réduire la température de cuisson.

ASSISTANCE OU SERVICE

Avant de faire un appel pour assistance ou service, consulter la section “Dépannage”. Ce guide peut vous faire économiser le coût d’une visite de service. Si vous avez encore besoin d’aide, suivre les instructions ci-dessous.

Lors d’un appel, veuillez connaître la date d’achat, le numéro de modèle et le numéro de série au complet de l’appareil. Ces renseignements nous aideront à mieux répondre à votre demande.

Si vous avez besoin de pièces de rechange

Si vous avez besoin de commander des pièces de rechange, nous vous recommandons d’employer uniquement des pièces spécifiées par l’usine. Les pièces spécifiées par l’usine conviendront et fonctionneront bien parce qu’elles sont fabriquées avec la même précision que celles utilisées dans la fabrication de chaque nouvel appareil KITCHENAID®.

Pour localiser des pièces spécifiées par l’usine dans votre région, appeler notre Centre d’eXpérience de la clientèle ou contacter le centre de service désigné le plus proche.

Veuillez appeler sans frais le Centre d’interaction avec la clientèle de KitchenAid Canada au : **1-800-807-6777**.

Nos consultants vous renseigneront sur les sujets suivants :

- Caractéristiques et spécifications sur toute notre gamme d’appareils électroménagers.
- Consignes d’utilisation et d’entretien.
- Ventes d’accessoires et pièces de rechange.
- Références aux marchands locaux, aux distributeurs de pièces de rechange et aux compagnies de service. Les techniciens de service désignés par KitchenAid Canada sont formés pour remplir la garantie des produits et fournir un service après la garantie, partout au Canada.

Pour plus d’assistance

Si vous avez besoin de plus d’assistance, vous pouvez soumettre par écrit toute question ou préoccupation à KitchenAid Canada à l’adresse suivante :

Centre d’interaction avec la clientèle
KitchenAid Canada
1901 Minnesota Court
Mississauga, Ontario L5N 3A7

Veuillez inclure dans votre correspondance un numéro de téléphone où l’on peut vous joindre dans la journée.

GARANTIE DE LA CUISINIÈRE À BI-COMBUSTIBLE KITCHENAID®

GARANTIE LIMITÉE DE UN AN

Pendant un an à compter de la date d’achat, lorsque ce gros appareil ménager est utilisé et entretenu conformément aux instructions jointes à ou fournies avec le produit, KitchenAid ou KitchenAid Canada (ci-après désignées “KitchenAid”) paiera pour les pièces spécifiées par l’usine et la main-d’œuvre pour corriger les vices de matériaux ou de fabrication. Le service doit être fourni par une compagnie de service désignée par KitchenAid.

GARANTIE LIMITÉE DE LA DEUXIÈME À LA CINQUIÈME ANNÉE INCLUSIVEMENT SUR CERTAINS COMPOSANTS

De la deuxième à la cinquième année inclusivement à compter de la date d’achat, lorsque cet appareil ménager est utilisé et entretenu conformément aux instructions jointes à ou fournies avec le produit, KitchenAid ou KitchenAid Canada paiera pour les pièces spécifiées par l’usine pour les composants suivants, en cas de vices de matériaux ou de fabrication :

- Éléments électriques
 - Brûleurs à gaz
 - Pièces du système de commande à semi-conducteurs
-

GARANTIE LIMITÉE DE LA DEUXIÈME À LA DIXIÈME ANNÉE INCLUSIVEMENT SUR LA CAVITÉ ET LES PORTES DU FOUR À INJECTION DE VAPEUR

De la deuxième à la dixième année inclusivement à compter de la date d’achat, lorsque ce gros appareil est utilisé et entretenu conformément aux instructions jointes à ou fournies avec le produit, KitchenAid paiera pour les pièces spécifiées par l’usine pour la cavité du four en porcelaine et la porte intérieure si la pièce rouille de part en part du fait de vices de matériaux ou de fabrication.

KITCHENAID NE PRENDRA PAS EN CHARGE

1. Les visites de service pour rectifier l'installation du gros appareil ménager, montrer à l'utilisateur comment utiliser l'appareil, remplacer ou réparer des fusibles ou rectifier le câblage ou la plomberie du domicile.
2. Les visites de service pour réparer ou remplacer les ampoules électriques de l'appareil, les filtres à air ou les filtres à eau. Ces pièces consommables ne sont pas couvertes par la garantie.
3. Les réparations lorsque le gros appareil ménager est utilisé à des fins autres que l'usage unifamilial normal.
4. Les dommages imputables à : accident, modification, usage impropre ou abusif, incendie, inondation, actes de Dieu, installation fautive ou installation non conforme aux codes d'électricité ou de plomberie, ou l'utilisation de produits non approuvés par KitchenAid.
5. Le coût des pièces de rechange et de la main-d'œuvre pour les appareils utilisés hors des États-Unis ou du Canada.
6. Le ramassage et la livraison. Ce gros appareil ménager est conçu pour être réparé à domicile.
7. Les réparations aux pièces ou systèmes résultant d'une modification non autorisée faite à l'appareil.
8. Les frais de voyage ou de transport pour le service d'un produit dans les régions éloignées.
9. La dépose et la réinstallation de votre appareil si celui-ci est installé dans un endroit inaccessible ou n'est pas installé conformément aux instructions d'installation fournies.

CLAUSE D'EXONÉRATION DE RESPONSABILITÉ AU TITRE DES GARANTIES IMPLICITES; LIMITATION DES RECOURS

LE SEUL ET EXCLUSIF RECOURS DU CLIENT DANS LE CADRE DE LA PRÉSENTE GARANTIE LIMITÉE CONSISTE EN LA RÉPARATION PRÉVUE CI-DESSUS. LES GARANTIES IMPLICITES, Y COMPRIS LES GARANTIES APPLICABLES DE QUALITÉ MARCHANDE ET D'APTITUDE À UN USAGE PARTICULIER, SONT LIMITÉES À UN AN OU À LA PLUS COURTE PÉRIODE AUTORISÉE PAR LA LOI. KITCHENAID N'ASSUME AUCUNE RESPONSABILITÉ POUR LES DOMMAGES FORTUITS OU INDIRECTS. CERTAINES JURIDICTIONS NE PERMETTENT PAS L'EXCLUSION OU LA LIMITATION DES DOMMAGES FORTUITS OU INDIRECTS, OU LES LIMITATIONS DE LA DURÉE DES GARANTIES IMPLICITES DE QUALITÉ MARCHANDE OU D'APTITUDE À UN USAGE PARTICULIER, DE SORTE QUE CES EXCLUSIONS OU LIMITATIONS PEUVENT NE PAS S'APPLIQUER DANS VOTRE CAS. CETTE GARANTIE VOUS CONFÈRE DES DROITS JURIDIQUES SPÉCIFIQUES ET VOUS POUVEZ ÉGALEMENT JOUIR D'AUTRES DROITS QUI PEUVENT VARIER D'UNE JURIDICTION À UNE AUTRE.

À l'extérieur du Canada et des 50 États des États-Unis, cette garantie ne s'applique pas. Contacter votre marchand KitchenAid autorisé pour déterminer si une autre garantie s'applique.

Si vous avez besoin de service, voir d'abord la section "Dépannage" du Guide d'utilisation et d'entretien. Après avoir vérifié la section "Dépannage", de l'aide supplémentaire peut être trouvée en vérifiant la section "Assistance ou service" ou en appelant KitchenAid. Aux É.-U., composer le **1-800-422-1230**. Au Canada, composer le **1-800-807-6777**. 9/05

Conservez ce manuel et votre reçu de vente ensemble pour référence ultérieure. Pour le service sous garantie, vous devez présenter un document prouvant la date d'achat ou d'installation.

Inscrivez les renseignements suivants au sujet de votre gros appareil ménager pour mieux vous aider à obtenir assistance ou service en cas de besoin. Vous devrez connaître le numéro de modèle et le numéro de série au complet. Vous trouverez ces renseignements sur la plaque signalétique située sur le produit.

Nom du marchand _____

Adresse _____

Numéro de téléphone _____

Numéro de modèle _____

Numéro de série _____

Date d'achat _____