



Installation Instructions

Epicure® Cooktop

Models: ESG366, ESG486

Table of Contents

Important Safety Instructions	1	Installation Instructions	8
Important Information About Safety Instructions	1	Unpack the Cooktop	8
General Safety Precautions	2	Cooktop Installation	8
Installation Requirements	3	Gas Line Connection	9
Electrical Requirements	3	Burner Component Installation	9
Gas Supply Requirements	3	Verifying Proper Operation	10
Product Dimensions	3	Installation Checklist	11
Cabinet and Countertop Layout	4	Wiring Diagram	12
Cabinet/Cutout Dimensions	5		

Before You Begin...

Important:

- **Installer:** In the interest of safety and to minimize problems, read these installation instructions completely and carefully before you begin the installation process. Leave these installation instructions with the customer.
- **Customer:** Keep these installation instructions for future reference and the local building inspector's use.

Customer Service Information

If You Need Help...

If you have questions or problems with installation, contact your Dacor® dealer or the Dacor Customer Service Team. For repairs to Dacor appliances under warranty call the Dacor Distinctive Service line. Whenever you call, have the model and serial number of the appliance ready. The model and serial number are printed on the appliance data plate.

Dacor Customer Service

Phone: (800) 793-0093 (U.S.A. and Canada)
Monday — Friday 6:00 A.M. to 5:00 P.M. Pacific Time
Web site: www.Dacor.com

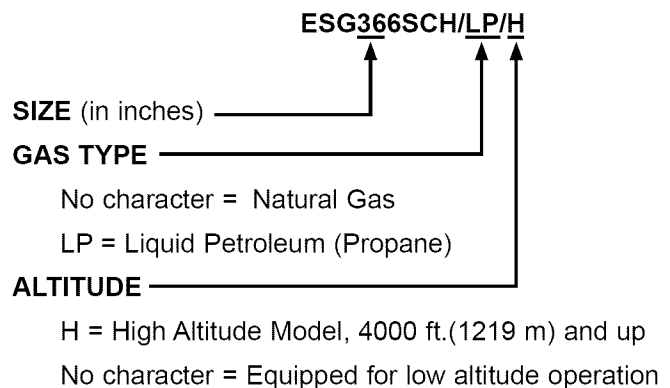
Dacor Distinctive Service (repairs under warranty only)

Phone: (877) 337-3226 (U.S.A. and Canada)
Monday — Friday 6:00 A.M. to 4:00 P.M. Pacific Time

Product Data Label

- The product data label contains the model and serial number information and the electrical and gas supply requirements.
- It is attached to the bottom of the chassis.

Model Identification



All specifications are subject to change without notice. Dacor assumes no liability for changes to specifications.

Important Safety Instructions

Important Information About Safety Instructions

- The **Important Safety Instructions** and warnings in this manual are not meant to cover all possible problems and conditions that can occur. Use common sense and caution when installing, maintaining or operating this or any other appliance.
- Always contact the Dacor Customer Service Team about problems and conditions that you don't understand. See **Customer Service Information**.

Safety Symbols and Labels

DANGER

Immediate hazards that **WILL** result in severe personal injury or death.

WARNING

Hazards or unsafe practices that **COULD** result in severe personal injury or death.

CAUTION

Hazards or unsafe practices that **COULD** result in minor personal injury or property damage.

WARNING

TO REDUCE THE RISK OF INJURY TO PERSONS IN THE EVENT OF A RANGE TOP GREASE FIRE:

- a. **SMOTHER FLAMES** with a close-fitting lid, cookie sheet or metal tray, then turn off the burner. **BE CAREFUL TO PREVENT BURNS.** If the flames do not go out immediately, **EVACUATE AND CALL THE FIRE DEPARTMENT.**
- b. **NEVER PICK UP A FLAMING PAN** - you may be burned.
- c. **DO NOT USE WATER**, including wet dish cloths or towels - a violent steam explosion may result.
- d. Use a fire extinguisher **ONLY** if:
 - ◇ You have a Class ABC extinguisher, and you already know how to operate it.
 - ◇ The fire is small and contained in the area where it started.
 - ◇ The fire department is being called.
 - ◇ You can fight the fire with your back to an exit.

DANGER

IMPORTANT: If you smell gas:

- Do not use or light any appliance.
- Do not touch any electrical switch or use any electrical devices, including the telephone, in your building.
- From a neighbor's phone, immediately call the gas supplier. Follow the gas supplier's instructions.
- If you cannot contact the gas supplier, call the fire department.

DANGER

IMPORTANT: Do not store or use combustible, flammable or explosive vapors and liquids (such as gasoline) on or in the vicinity of this or any other appliance. Also keep items that could explode, such as aerosol cans, away from the cooktop. Do not store flammable or explosive materials in adjacent cabinets or areas (including above and below the cooktop).

WARNING

WARNING – NEVER use this appliance as a space heater to heat or warm the room. Doing so may result in carbon monoxide poisoning and overheating of the appliance.

WARNING

WARNING – NEVER cover any slots, holes or passages on the cooktop and cooktop chassis. Doing so blocks air flow through the cooktop and may cause carbon monoxide poisoning. Aluminum foil linings may also trap heat, causing a fire hazard. Keep all slots, holes and passages clear of grease and grime.

CALIFORNIA PROPOSITION 65 WARNING

The burning of gas cooking fuel generates some by-products that are on the list of substances which are known by the State of California to cause cancer or reproductive harm. California law requires businesses to warn customers of potential exposure to such substances. To minimize exposure to these substances, always operate this unit according to the use and care manual, ensuring you provide good ventilation when cooking with gas.

READ AND SAVE THESE INSTRUCTIONS

Important Safety Instructions

General Safety Precautions

To reduce the risk of fire, electric shock, serious injury or death when using your appliance, follow basic safety precautions, including the following:

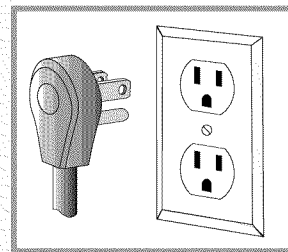
WARNING

- Read the accompanying use and care manual completely before operating this appliance.
- Keep packaging materials away from children. Plastic sheets and bags can cause suffocation.
- If you receive a damaged product, immediately contact your dealer or builder. Do not install or use a damaged appliance.
- This cooktop must be properly installed and grounded by a qualified installer according to these installation instructions prior to use. The installer should show the customer the location of the gas shut off valve and the power cord so that they know where and how to turn off the gas supply and disconnect power to the cooktop. Proper installation is the responsibility of the customer.
- Installations with less than 2 1/2" (64 mm) from the rear of the cooktop to a combustible material must use Dacor backguard model AEB3609, AEB3612, (for model ESG366) AEB4809, AEB4812 (for model ESG486) or a non-combustible material. See the latest version of ANSI Z223.1.
- Do not use this appliance in combination with a surface (countertop) ventilation system. Dacor strongly recommends the installation of a range hood or raised vent in conjunction with this appliance.
- Do not install, repair or replace any part of the cooktop unless specifically recommended in the literature accompanying it. A qualified service technician should perform all other service. Do not tamper with the controls. Do not operate the cooktop without the knobs and trim rings in place.
- Before servicing or installing this cooktop, make sure that the gas supply is turned off at the gas supply valve and that the power plug is disconnected from the electrical outlet.
- Do not connect this cooktop to the gas supply without the supplied gas pressure regulator installed.
- Disconnect the power plug from the electrical outlet before cleaning. Clean this appliance only in the manner specified in the use and care manual.
- Only use the cooktop for cooking tasks expected of a home appliance as outlined in the literature accompanying it. This cooktop is not intended for commercial or laboratory use.
- DO NOT TOUCH THE SURFACES OF THE COOKTOP OR THE SURROUNDING AREAS DURING OR IMMEDIATELY AFTER USE.

WARNING

- Do not climb on any part of the appliance.
- To avoid a fire hazard, do not hang flammable or heat sensitive objects over the cooktop.
- Do not leave children alone or unattended in the area around the cooktop. Do not allow children to play with the controls or touch other parts of the cooktop. Do not store items of interest to children on top of or above the cooktop. Children could be burned or injured while climbing on the appliance.
- Clean the cooktop thoroughly before operating it for the first time. Make sure that all the cooktop parts are dry before lighting a burner.
- Keep flammable items, such as paper, cardboard, plastic and cloth away from the burners and other hot surfaces. Do not place such items on the cooktop. Do not allow pot holders to touch hot surfaces or gas burners.
- Do not wear loose or hanging apparel while using the cooktop. Do not allow clothing to come into contact with the cooktop and surrounding areas during and immediately after use. Do not use towels or bulky cloth as pot holders.
- If the cooktop is near a window, do not use long curtains as window treatment. The curtains could blow over the cooktop and create a fire hazard.
- Non-stick coatings, when heated, can be harmful to birds. Remove birds to a separate, well-ventilated room when operating the cooktop.

IMPORTANT - This appliance is equipped with a three prong grounding plug for your protection against possible electric shock hazards. Plug it only into a dedicated, grounded three prong electrical outlet. It is the responsibility of the customer to make sure the proper type of outlet is installed. **Do not under any circumstances:**



- Cut or remove the third (ground) prong from the power cord.
- Use an adapter plug.
- Use an extension cord.
- Use a power cord that is frayed or damaged.
- Connect to an electrical outlet with a ground fault interrupter (GFI).

Installation Requirements

WARNING

- Observe all governing codes and ordinances during planning and installation. Contact your local building department for further information.
- To prevent an electric shock hazard, the power supply must meet the specifications stated below.

The electrical and gas supply data on this page is for reference only. If the requirements below do not agree with the product data label, use the data on the product data label.

Electrical Requirements

- The electrical installation, including minimum supply wire size and grounding, must be done in accordance with National Electric Code ANSI/NFPA 70 and local codes and ordinances. A copy of this standard may be obtained from:

National Fire Protection Association
1 Batterymarch Park
Quincy, MA 02269-9101

- The correct voltage, frequency and amperage must be supplied to the electrical outlet according to the product data label located on the bottom of the chassis.
- The electrical outlet must be installed by a licensed electrician.

ELECTRIC CIRCUIT REQUIREMENTS	
Circuit Required	Total Connected Load
120 Vac 60Hz, 15 Amp. (3 wire)	0.25 Amp @ 120 Vac, 60 Hz

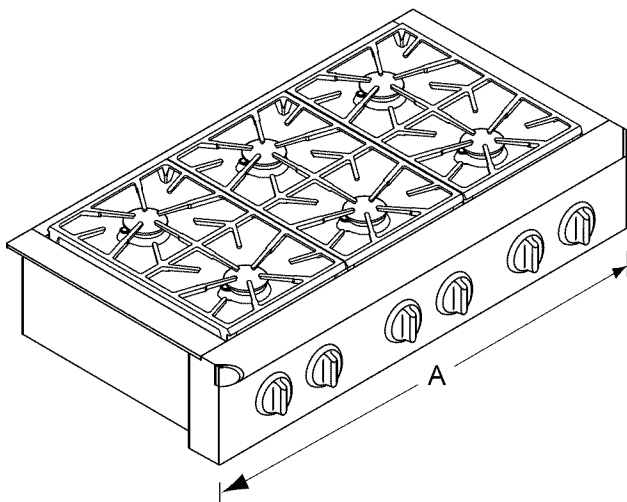
Gas Supply Requirements

- Check your local building codes for the proper method of installation. In the absence of local codes, this appliance should be installed in accordance with the National Fuel Gas Code ANSI Z223.1/NFPA 54. The gas service must be installed by a qualified professional
- Be certain that the cooktop being installed is correct for the gas service being provided (natural gas or LP gas). Also, if operating the cooktop at an altitude above 5000 ft. (1524 m) make sure it is equipped for high altitude operation. See the inside cover for more information.
- An external manual shut-off valve must be installed between the gas inlet and the cooktop for the purpose of turning on or shutting off gas to the appliance.
- Install the regulator provided with the appliance in the gas line that runs from the gas shut off valve to the cooktop gas inlet. Use only the regulator provided. The regulator inlet accommodates a 3/4" supply line and is also compatible with a 1/2" house gas supply. The gas inlet to the cooktop is equipped with a 1/2" male NPT connection and a 1/2" to 3/4" elbow attached.

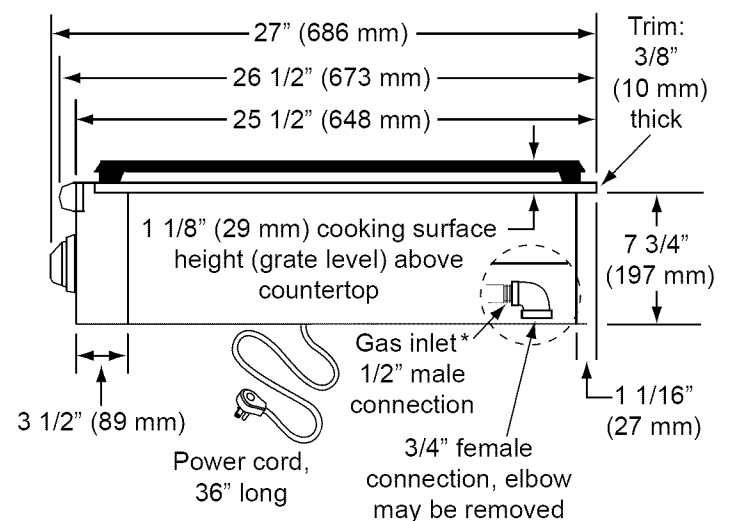
GAS SUPPLY PRESSURE REQUIREMENTS*		
Gas Type	Manifold Pressure	Minimum Gas Supply Pressure
Natural Gas	4" Water Column	5" Water Column
Propane (LP)	10" Water Column	11" Water Column

* Maximum gas supply pressure for all models is 1/2 p.s.i.

Product Dimensions



COOKTOP WIDTH (A)	
ESG366	35 7/8" (911 mm)
ESG486	47 7/8" (1216 mm)



*Attach supplied regulator and gas line from bottom or rear of unit

SIDE VIEW

Product tolerances: ±1/16" (±1.6 mm) unless otherwise noted.

Installation Requirements

Cabinet and Countertop Layout

WARNING

To avoid the risk of fire or personal injury, all minimum and maximum specified clearances on this and the following pages must be maintained or exceeded.

General Considerations

- The minimum distance from the back of the cooktop to a combustible rear wall is 2 1/2" (64 mm) minimum (Figure 1).
- Installation of a non-combustible material* (up to the hood) or a backsplash is always recommended, and mandatory if the distance to the back wall from the cooktop is less than 2 1/2" (Figure 2). When installing a backguard, use only Dacor model numbers AEB3609, AEB3612 (ESG366), AEB4809 or AEB4812 (ESG486).

* Consult local codes and ordinances for acceptable non-combustible materials.

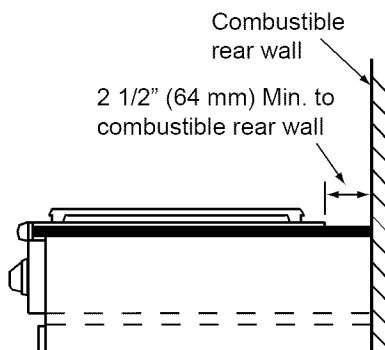


FIGURE 1

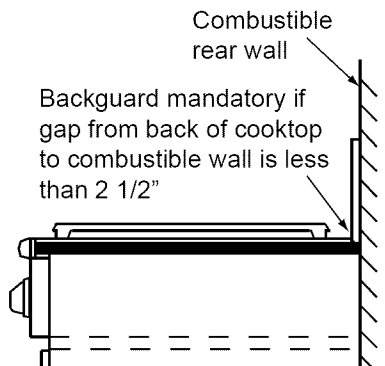


FIGURE 2

- Carefully check the location where the cooktop is to be installed. For best performance, the cooktop should be installed away from drafts caused by doors, windows and heating and air conditioning outlets. To reduce the risk of personal injury from reaching over a hot appliance, avoid cabinet installations directly above.
- To reduce the risk of personal injury and to reduce accumulated smoke in the room, Dacor strongly recommends installing a range hood. A hood should project horizontally a minimum of five (5) inches beyond the face of the cabinets.

- The installation must allow access to the underside of the cooktop for service and inspection purposes, including the ability to turn off the cooktop gas supply valve and electrical outlet.
- All contact surfaces between the cooktop and the counter must be solid and level.
- The countertop overhang on the sides of the cutout shown on the following pages covers the recessed portions of the cooktop behind the control panel and creates a seamless look for the installation.
- **IMPORTANT:** When installing the cooktop into a laminated or synthetic countertop, radius the corners of the cutout to help avoid cracking. Consult the countertop manufacturer's instructions for minimum corner radius, reinforcement and heat protection requirements.
- For installations with a raised vent, install this appliance only with the approved Dacor raised vent models listed on page 6.

Gas and Electric Service Location

- The gas supply piping, gas shut-off valve and the electrical outlet must be located so they do not interfere with the cooktop when it is installed. If installing another appliance in the cabinet below, allow for the routing of gas and electrical service out the back of the unit.
- The shaded area on the facing page shows the recommended location of the gas inlet and the electrical outlet. For replacement purposes, the location of the existing utilities may be utilized provided they do not interfere with the sides or rear of the cooktop. Check local building codes for permissible utility locations.
- For best performance and to minimize gas pressure loss, attach the gas supply regulator as close as possible to the cooktop gas inlet.

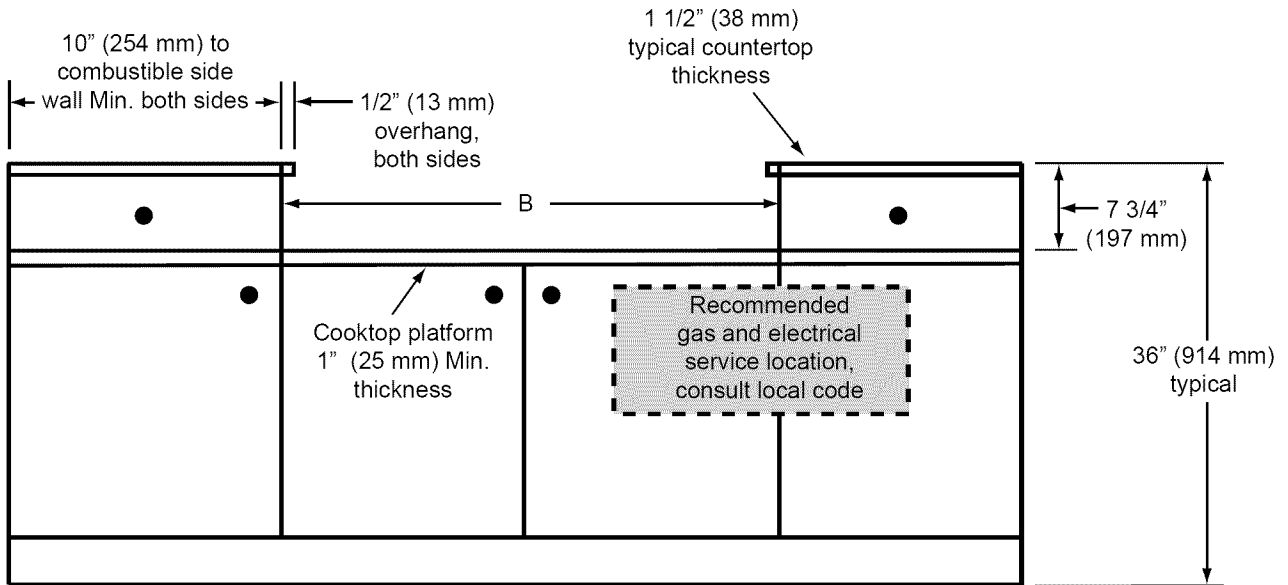
The installation must:

- Allow for access to the gas shut-off valve and regulator when the unit is installed.
- Allow for access to the electrical outlet, when the cooktop is in place so that the power cord may be easily disconnected if the unit needs service.
- Allow for the (36") power cord reaching the electrical outlet.
- If a raised vent is to be installed, allow for access to the gas supply valve and electrical outlet when the raised vent is in place.

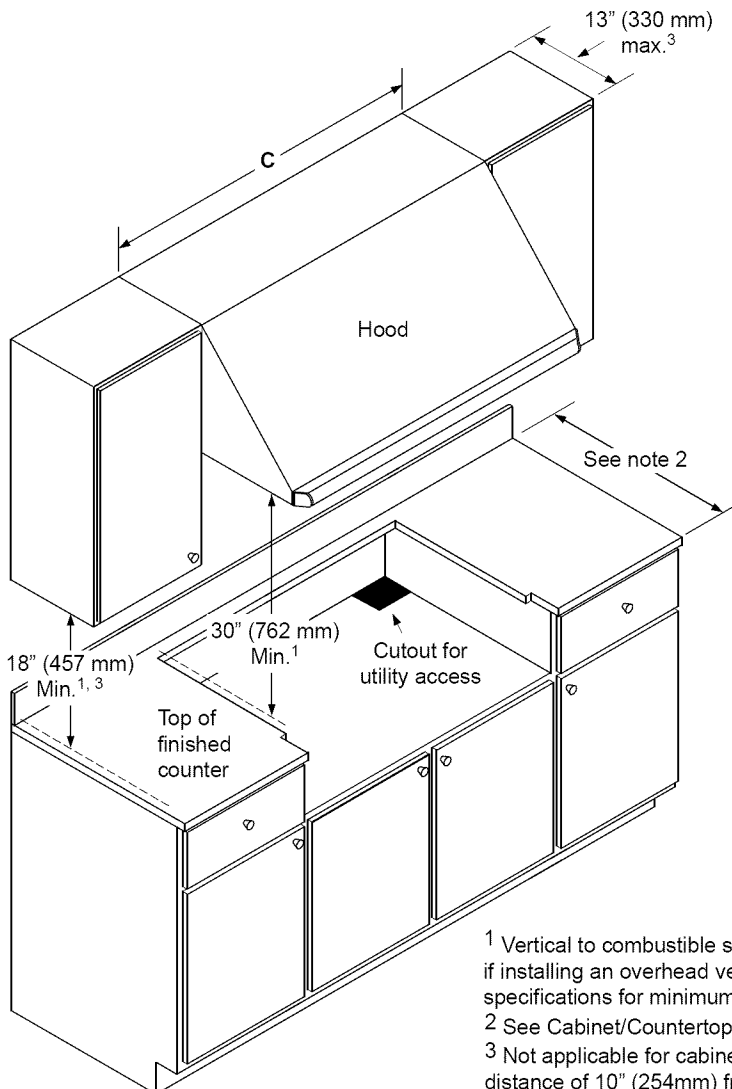
Installation Requirements

Cabinet/Cutout Dimensions

Cabinet tolerances +1/16" -0 (+1.6 mm, 0) unless otherwise noted.



Cabinet/Countertop Dimensions - Front View



Cooktop Model	B	C
ESG366	36" (914 mm)	36" (914mm)* 42" (1067 mm)**
ESG486	48" (1219 mm)	48" (1219 mm)* 54" (1372 mm)**
* Minimum ** Recommended		

Cabinet/Countertop Dimensions - ISO View

1 Vertical to combustible surface from cooktop grate level; if installing an overhead vent hood, also check the hood specifications for minimum required clearances.

2 See Cabinet/Countertop Dimensions - Top View

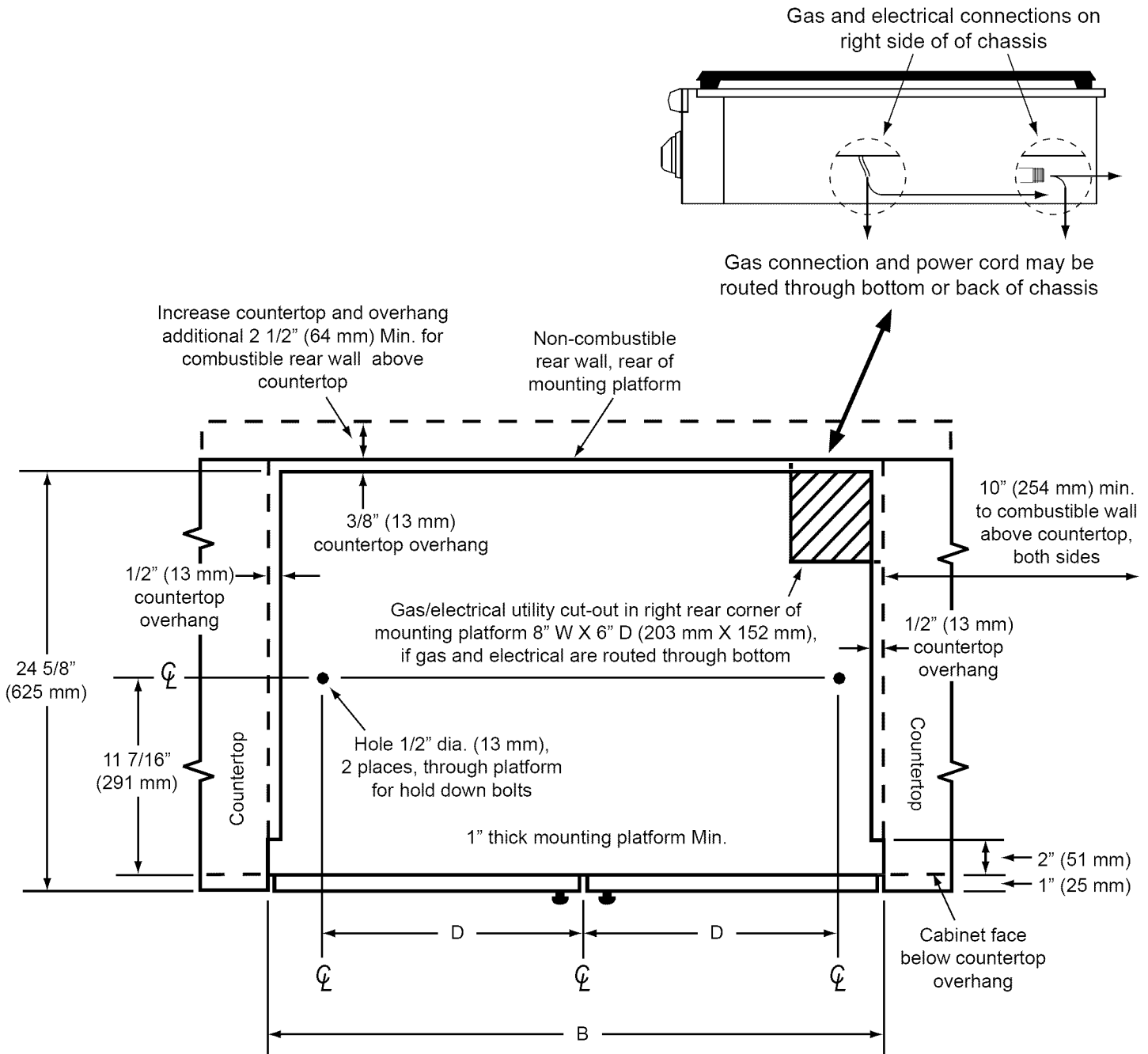
3 Not applicable for cabinets more than a horizontal distance of 10" (254mm) from the edge of the cooktop.

Continued on following pages...

Installation Requirements

Cabinet/Countertop Dimensions (cont.)

Cutout tolerances $+1/16'' -0$ (+1.6 mm, 0) unless otherwise noted.

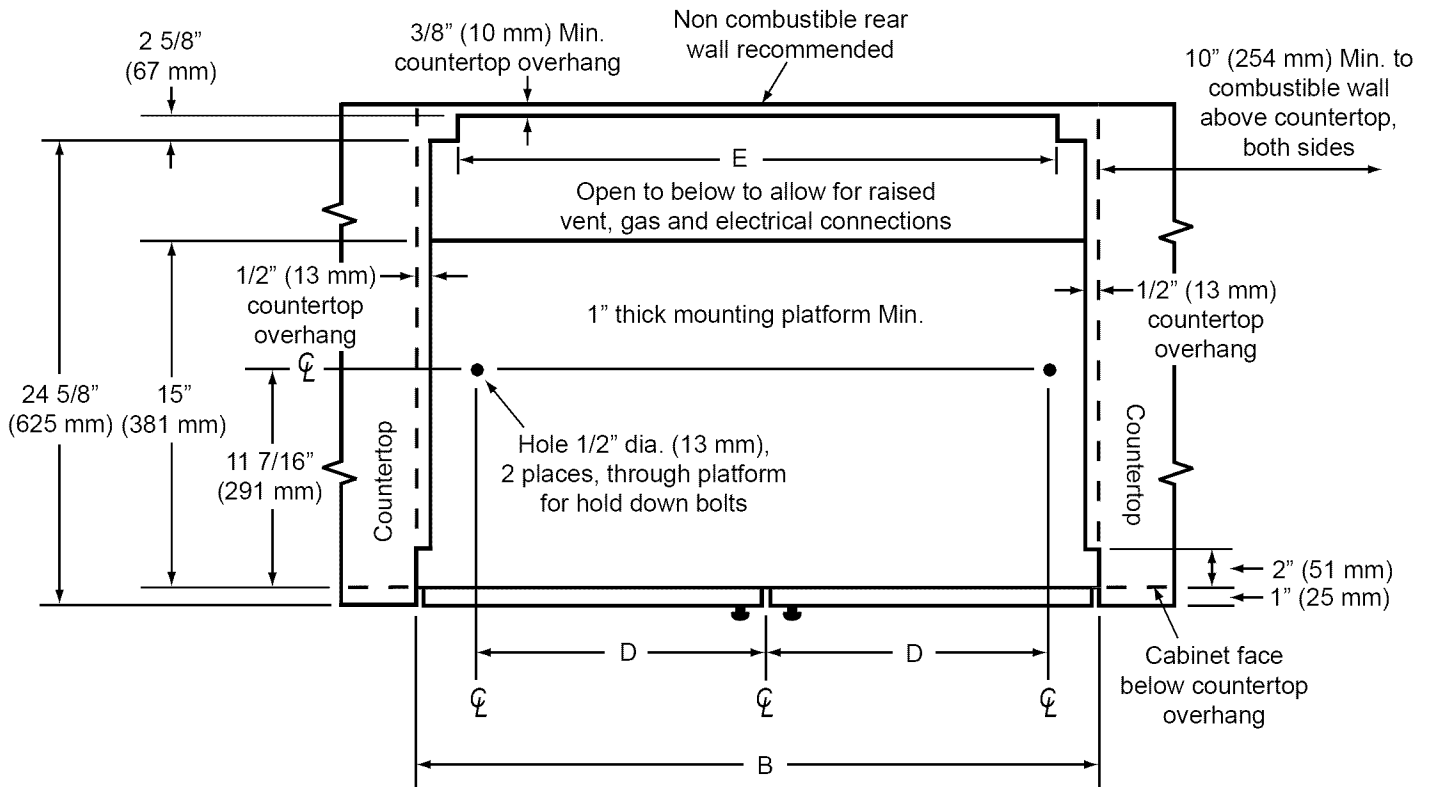


Cabinet/Countertop Cutout Dimensions without Raised Vent - Top View

Cooktop Model	B - Cutout Width	D - Hole Offset	E - Raised Vent Cutout	Approved Raised Vent Models
ESG366	36" (914 mm)	16 $\frac{5}{8}''$ (422 mm)	33 $\frac{1}{2}''$ (851 mm)	ERV36, PRV36
ESG486	48" (1219 mm)	20 $\frac{13}{16}''$ (529 mm)	43 $\frac{1}{2}''$ (1105 mm)	ERV48, PRV48

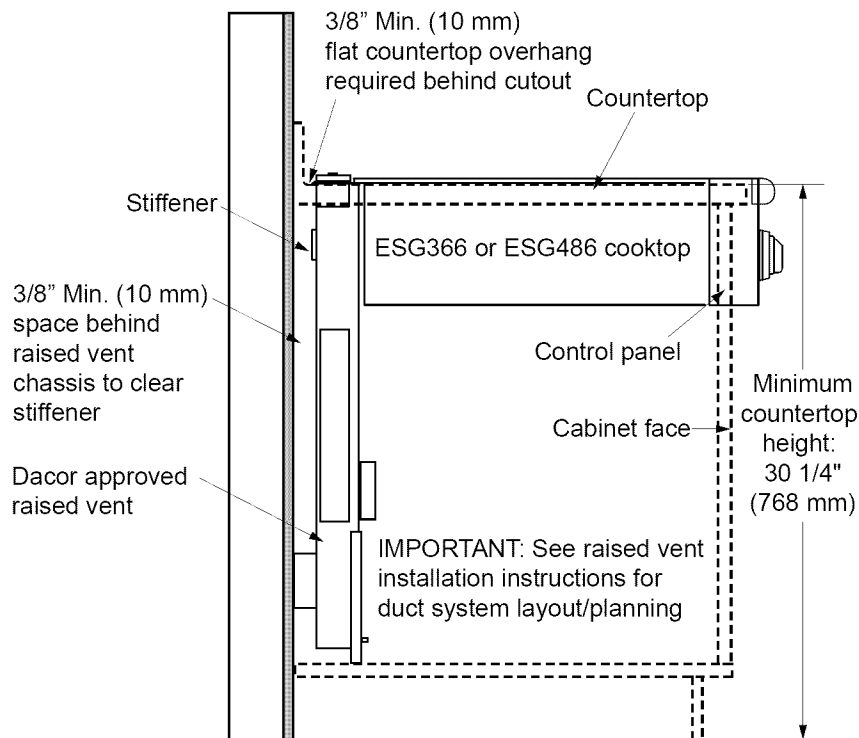
IMPORTANT: Use only the raised vent models specified.

Installation Requirements



NOTE: Gas and electrical connections may only be routed through the bottom of the cooktop when installed with a raised vent.

Cabinet/Countertop Cutout Dimensions with Raised Vent - Top View



Cabinet/Countertop with Raised Vent - Side View

Installation Instructions

Unpack the Cooktop

WARNING

- If the gas and electric service provided does not meet the product specifications, do not proceed with the installation. Call the dealer, the gas supplier or a licensed electrician.
- The cooktop is heavy. A minimum of two people are required to safely install it.

Unpack the parts box and verify that all required components have been provided. If any item is missing or damaged, please contact your dealer immediately. Do not install a damaged or incomplete appliance. The customer must report cosmetic issues within 30 days of installation.

- Grates (3) *
- Burner caps (6)
- Burner rings (6)
- Hold down bolts/washers (2 sets)
- Regulator
- Dacor Stainless Steel Cleaner
- Igniter cleaning brush
- Literature kit
- WOK ring
- Griddle
- Simmer plate
- Spatula

* Model ESG486 comes with (3) 14 inch grates. Model ESG366 comes with (2) 10-inch grates and (1) 14-inch grate.

Cooktop Installation

WARNING

- To prevent damage to the gas pressure regulator, install it only after the cooktop is mounted in its permanent position.
- Do not over-tighten the hold down bolts. Over tightening the hold down bolts may result in improper operation of the dual gas burners.

IMPORTANT

Do not use a hardening compound or caulk to permanently seal the cooktop into place. The cooktop must be readily removable if service is required. Removal of sealant to service the unit will be performed at the customer's expense.

1. Lower the cooktop into the cutout while feeding the electrical cord into the utility cutout. Center the cooktop in the cutout.
2. Secure the cooktop to the countertop using the two (2) provided hold-down bolts and washers provided. Do not overtighten the bolts.

Installation Instructions

Gas Line Connection

WARNING

- Verify that the gas supply meets specifications before connection. See page 3.
- The maximum gas supply pressure to the regulator must never exceed $\frac{1}{2}$ pounds per square inch (psi) or 3.5 kPa.
- Do not install or use the cooktop without the included gas regulator installed.
- Ensure that the arrow on the regulator points in the direction of the gas flow, towards the cooktop.
- Do not apply excessive pressure when tightening gas connections and fittings.
- Do not use Teflon tape or plumber's putty on flexible gas line connections.
- Test the gas lines for leaks as instructed before use. Do not use a flame to check for leaks.
- The gas supply pressure for testing the regulator setting shall be at least 1 inch water column (249Pa) above the specified manifold pressure. See page 3.
- The cooktop and shut-off valve must be disconnected from the gas supply piping system during any pressure testing exceeding $\frac{1}{2}$ psi (3.5 kPa).
- The cooktop must be isolated from the gas supply piping system by closing the shut-off valve to the cooktop during any gas supply piping system pressure testing equal to or less than $\frac{1}{2}$ psi (3.5 kPa).
- For LP gas installations, the LP gas tank must have its own high-pressure regulator in addition to the pressure regulator supplied with the cooktop.

IMPORTANT

Within the Commonwealth of Massachusetts, this appliance must be installed by a licensed plumber or gas fitter.

1. Attach the gas pressure regulator (included with the cooktop) to the gas inlet on the cooktop. The inlet is located on the bottom, at the right rear portion of the chassis. For tight installations, the regulator may be installed upstream from the pipe nipple, anywhere between the shut-off valve and the cooktop. For best performance, minimize gas pressure loss by attaching the regulator as close as possible to the cooktop gas inlet.
2. Complete connection of the gas supply to the cooktop by installing a minimum $\frac{1}{2}$ " flexible gas line (not included) between the pressure regulator and the shut-off valve.

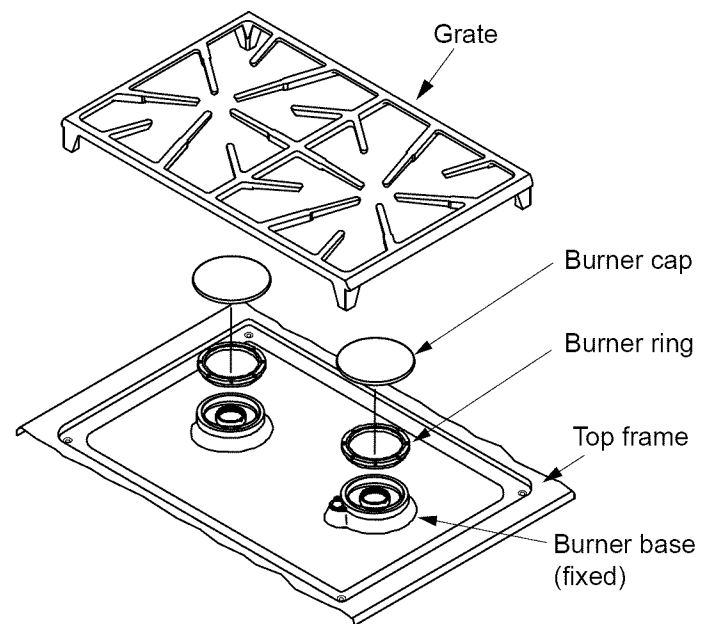
3. Check for gas leaks:

- ◇ Turn all cooktop control valves to the **OFF** position.
- ◇ Turn on the gas supply valve and check all lines and connections for leaks using a soap and water solution or a gas leak detector.
- ◇ Turn the gas supply valve off.

Burner Component Installation

WARNING

- Never attempt to operate the cooktop with any of the burner parts removed.
 - Do not attempt to adjust the burner air mixture settings. All adjustments are preset at the factory.
- Remove the burner parts and grates from their shipping packages.
 - Install the burners as shown. When installing the burner rings, insert the five (5) tabs on the bottom of each ring into the tabs on the top of each burner base. Twist each piece back and forth slightly until it drops completely into place. The burners will not operate properly unless all of the burner pieces are properly seated.
 - Gently set the grates on top of the spill trays. Make sure that the rubber feet are positioned in the dimples. On model ESG366, the center grate is larger than the other two.



Installation Instructions

Verifying Proper Operation

WARNING

- Make sure that power to the electrical outlet is turned off at the circuit breaker or fuse box and that the gas is turned off at the gas supply valve before proceeding.
- The cooktop must be properly grounded at all times when electrical power is applied.

Prior to operating the cooktop, read the accompanying use and care manual carefully.

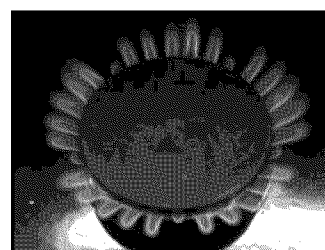
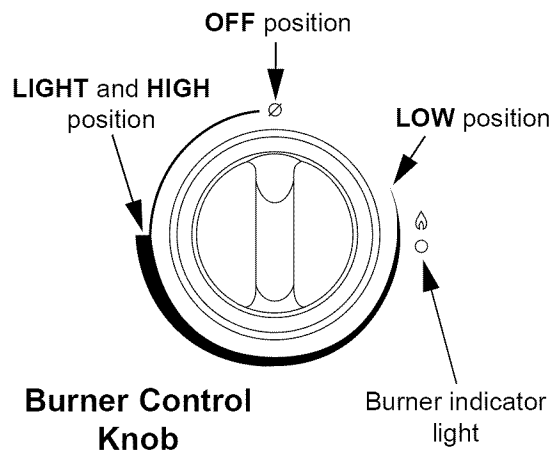
1. Make sure all the cooktop burner controls are in the **OFF** position.
2. Connect the power cord to the electrical outlet.
3. Turn on power to the electrical outlet at the circuit breaker or fuse box.
4. Gently push in and turn one burner control knob at a time counterclockwise to the **HIGH** position. Verify that burner igniters spark, then return the knob to the **OFF** position. Repeat for all of the remaining control knobs.
5. Turn on the gas supply valve.
6. Perform the following ignition test for all of the burners:
 - Push in and turn one of the control knobs counterclockwise to the **HIGH** position. The igniters for all the burners will spark. It may take up to four seconds for the gas from the selected burner to ignite, at which time the igniters will stop sparking. If ignition does not occur within four seconds, turn the knob to the **OFF** position, wait for at least five minutes to allow any gas to dissipate, then repeat the test.
 - Once the burner lights, the control knob can be rotated counterclockwise from **HIGH** to **LOW** to adjust the flame height progressively.
 - When the unit is installed properly, the flame will be steady. It will also have a sharp, blue inner cone that will vary in length proportional to the burner size. The flame will be reduced by the Smart Flame™ feature under the grate fingers to increase grate life.

NOTE: If the cooktop does not operate properly, follow these troubleshooting steps:

- Verify that power and gas are supplied to the cooktop.
- Check to make sure that the power plug is connected to the electrical outlet and that power is turned on at the circuit breaker or fuse box.
- Check to make sure that all burner parts are properly seated.
- If the burner continues to spark after ignition without stopping, have a licensed electrician check the electrical outlet for proper grounding or reversed polarity.
- Repeat the above burner ignition test.

If the appliance still does not work, contact Dacor Distinctive Service at (877) 337-3226. Do not attempt to repair the appliance yourself. Be sure to have the model and serial numbers available when you call. See the inside cover for location.

Dacor is not responsible for the cost of correcting problems caused by a faulty installation.



Normal Flame Appearance

Installation Instructions

Installation Checklist



WARNING

- To ensure a safe and proper installation, the following checklist should be completed by the installer to ensure that no part of the installation has been overlooked.
- Proper installation is the responsibility of the homeowner. The importance of proper installation of your Dacor cooktop cannot be overemphasized.

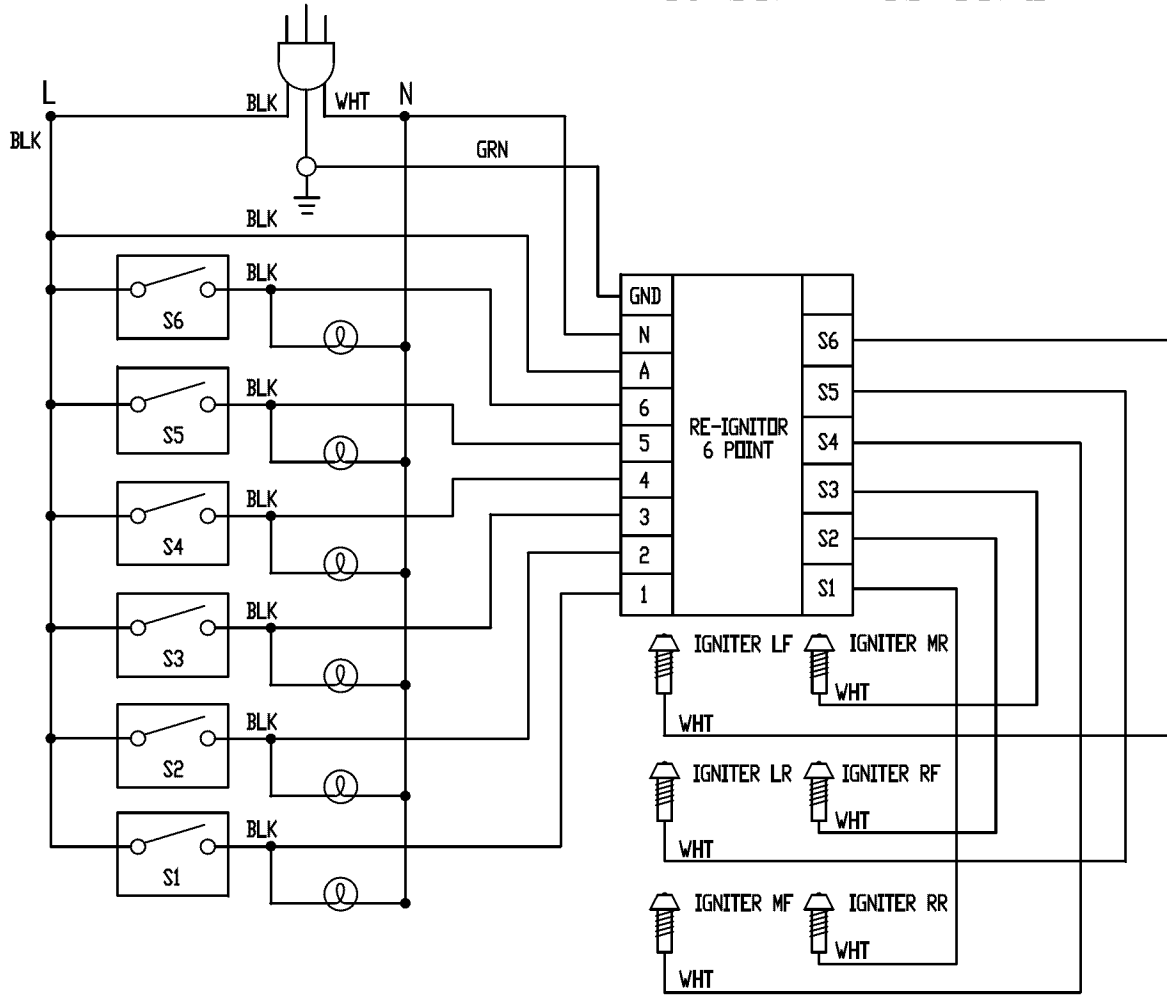
- Is the electrical outlet for the cooktop grounded and located according to these instructions and in accordance with all applicable electrical codes? See pages 3 and 4.
- Is the gas service for the cooktop located and installed according to these instructions and in accordance with all applicable codes? See pages 3 and 4.
- Has the gas supply inlet pressure been measured to ensure that it does not exceed the maximums stated in these instructions? See page 3.
- Is the cooktop secured using the provided hold-down bolts and washers? See page 8.
- Is the cooktop connected to the gas supply according to these instructions and in accordance with all applicable codes? Did the installer check the gas supply for leaks? See page 9.
- Are all burner parts and grates properly installed according to these instructions? See page 9.
- Has proper operation been verified?
- Has the warranty been activated on-line or the warranty card filled out completely and mailed?

Wiring Diagram

120V, 60Hz 0.025A
 POWER SUPPLY
 AFTER SERVICING
 VERIFY PROPER OPERATION

WIRING DIAGRAM
 ESG366/486

CAUTION: LABEL ALL WIRES PRIOR TO DISCONNECTION
 WHEN SERVICING CONTROLS. WIRING ERRORS CAN
 CAUSE IMPROPER AND DANGEROUS OPERATION.



dacor[®]
The Life of the Kitchen.[®]

Dacor • Phone: (800) 793-0093 • FAX: (626) 403-3130 • www.Dacor.com