



Installation Instructions

Millennia® Electric Cooktop

For use with models ETT304-1, ETT365-2, MET304 and METB365-1

**TESTED IN ACCORDANCE WITH THE LATEST EDITION OF ANSI Z21.1 AND
U.L. 858 STANDARD FOR HOUSEHOLD COOKING APPLIANCES.**

Table of Contents

Before You Begin...	1	Planning the Location	4
Important Safety Instructions	1	Cabinet Layout	4
Important Information About Safety Instructions	1	Installation Instructions	6
Safety Symbols and Labels	1	Chassis Installation	6
General Safety Precautions	2	Verify the Package Contents.....	6
Installation Specifications	3	Electrical Connection	6
Product Dimensions	3	Verifying Proper Operation.....	8
Electrical Specifications	3		

Customer Service Information

If You Need Help...

If you have questions or problems with installation, contact your Dacor dealer or the Dacor Customer Service Team. For repairs to Dacor appliances under warranty call the Dacor Distinctive Service line. When you call, have the model and serial number of the appliance ready. The model and serial number are printed on the product data label.

Dacor Customer Service Team

Phone: (800) 793-0093 (U.S.A. and Canada)
Monday — Friday 6:00 A.M. to 5:00 P.M. Pacific Time
Web site: www.Dacor.com

Dacor Distinctive Service (for repairs under warranty)

Phone: (877) 337-3226 (U.S.A. and Canada)
Monday — Friday 6:00 A.M. to 4:00 P.M. Pacific Time

Product Data Label

- The product data label contains the model and serial number information and the electrical requirements.
- It is located on the bottom of the cooktop chassis.

All specifications are subject to change without notice. Dacor® assumes no liability for changes to specifications.

Before You Begin...

Important:

- **Installer:** In the interest of safety and to minimize problems, read these installation instructions completely and carefully before you begin the installation process. Leave these installation instructions with the customer.
- **Customer:** Keep these installation instructions for future reference and the local electrical inspector's use.

Important Safety Instructions

Important Information About Safety Instructions

- The **Important Safety Instructions** and warnings in this manual are not meant to cover all possible problems and conditions that can occur. Use common sense and caution when installing, maintaining or operating this or any other appliance.
- Always contact the Dacor Customer Service Team about problems and conditions that you don't understand. See **Customer Service Information**.

Safety Symbols and Labels

DANGER

Immediate hazards that **WILL** result in severe personal injury or death.

WARNING

Hazards or unsafe practices that **COULD** result in severe personal injury or death.

CAUTION

Hazards or unsafe practices that **COULD** result in minor personal injury or property damage.

DANGER

IMPORTANT: Do not store or use combustible, flammable or explosive vapors and liquids (such as gasoline) on or in the vicinity of this or any other appliance. Also keep items that could explode, such as aerosol cans, away from the cooktop. Do not store flammable or explosive materials in adjacent cabinets or areas (including above and below the cooktop).

WARNING

WARNING – NEVER use this appliance as a space heater to heat or warm the room. Doing so may result in overheating of the appliance.

WARNING

WARNING – NEVER cover any vents, slots, holes or passages on the cooktop chassis. Doing so blocks air flow through the cooktop and may cause a fire hazard.

WARNING

Do not install this appliance outdoors and/or near water, for example, near a pool.

READ AND SAVE THESE INSTRUCTIONS

Important Safety Instructions

General Safety Precautions

To reduce the risk of fire, electric shock, serious injury or death when using your appliance, follow basic safety precautions, including the following:

WARNING

- Read the accompanying use and care manual before operating this appliance.
- Keep packaging materials away from children. Plastic sheets and bags can cause suffocation.
- If you receive a damaged product, immediately contact your dealer or builder. Do not install or use a damaged appliance. Do not install or use the appliance if the conduit is damaged.
- This appliance must be properly installed and grounded by a qualified installer according to these installation instructions prior to use. The installer must show the customer the location of the circuit breaker panel or fuse box so that they know where and how to turn off power to the cooktop. Dacor is not responsible for the cost of correcting problems caused by improper installation. The owner is responsible to make sure this appliance is properly installed.
- Do not install, repair or replace any part of the cooktop unless specifically recommended in the literature accompanying it. A qualified service technician must perform all other service.
- Before performing any type of service or installation, make sure that power to the appliance is turned off at the circuit breaker panel or fuse box.
- Only use the cooktop for cooking tasks expected of a home appliance as outlined in the literature accompanying it. This cooktop is not intended for commercial or industrial use.
- Do not use corrosive chemicals or vapors on or in the vicinity of this appliance. Clean this appliance only in the manner specified in the use and care manual.
- Do not climb on any part of the appliance.
- Do not leave children or pets alone or unattended in the area around the cooktop. Do not allow children to play with the controls.
- Do not store items of interest to children above or on top of the cooktop. Children could be burned or injured while climbing on the appliance.
- Do not tamper with the controls. Do not adjust or alter any part of the cooktop unless specifically instructed to do so in this manual.
- Keep flammable items, such as paper, cardboard, plastic and cloth away from hot surfaces. Do not put such items on the cooktop. Do not allow pot holders to touch hot surfaces.

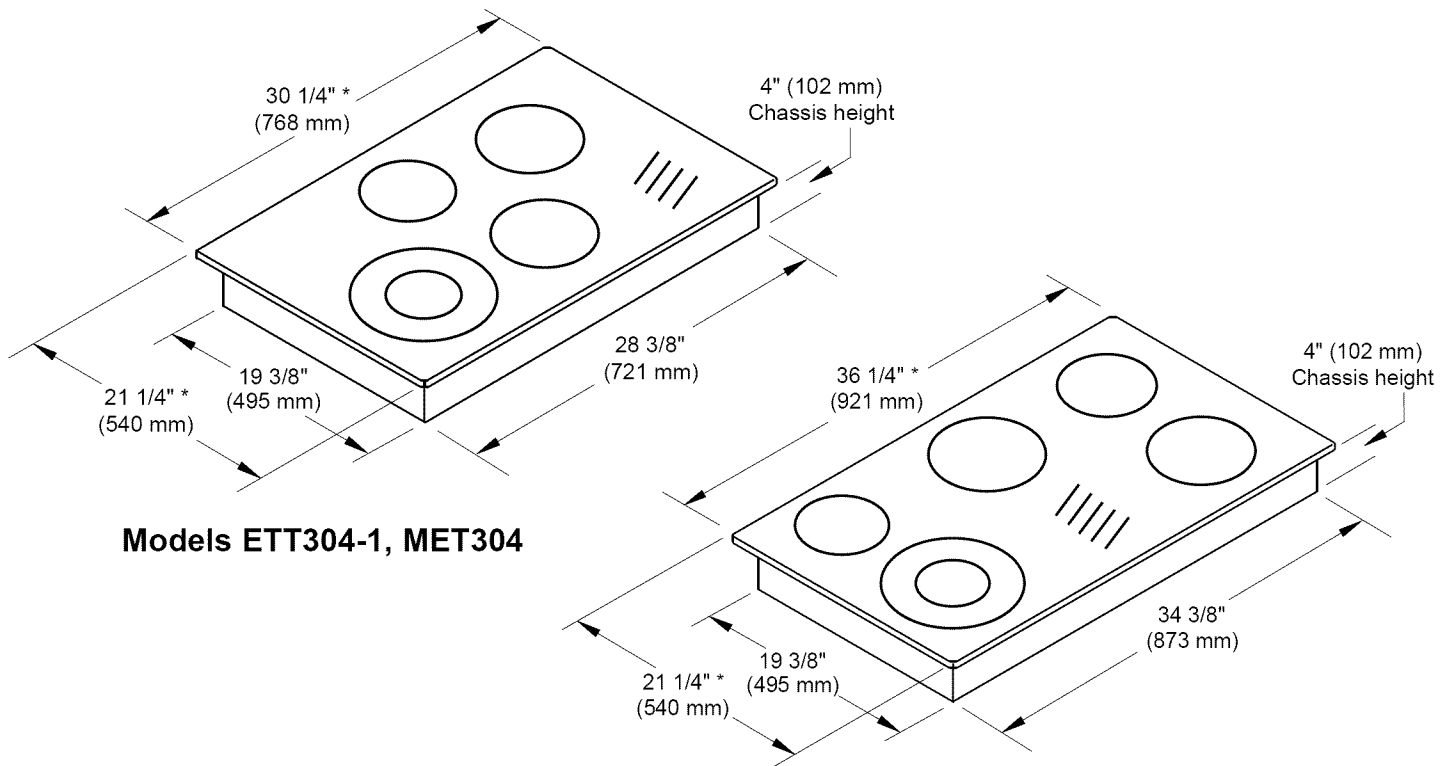
WARNING

- To avoid a fire hazard, do not hang flammable or heat sensitive objects over the cooktop.
- Do not place anything other than cooking utensils on top of the cooktop. Do not use the cooktop as a table or shelf.
- If the cooktop is near a window, do not use long curtains as window treatment. The curtains could blow over the cooktop and create a fire hazard.
- **DO NOT TOUCH THE SURFACES OF THE COOKTOP DURING OR IMMEDIATELY AFTER USE.** After use, make sure these surfaces have had sufficient time to cool before touching them.
- Do not wear loose or hanging apparel while using the cooktop. Do not allow clothing to come into contact with hot surfaces and the surrounding areas during and immediately after use.
- Do not heat unopened food containers such as baby food jars and cans or eggs. Pressure build up may cause the container to burst and cause injury.
- Do not allow pans to boil dry.
- Do not store plastic or other utensils with low melting temperatures in drawers immediately below the cooktop.
- Clean the cooktop before using it for the first time according to the use and care manual.
- Non-stick coatings, when heated, can be harmful to birds. Remove birds to a separate, well-ventilated room during cooking.

Installation Specifications

Product Dimensions

All tolerances: $\pm 1/16$ (± 1.6 mm), unless otherwise stated.



Models ETT304-1, MET304

Models ETT365-2, METB365-1

* For units with stainless steel trim, other units may be up to 1/8" less

Electrical Specifications



IMPORTANT

This appliance is provided with electrical connection leads in a flexible metal conduit. These leads may be a smaller gage than the standard household wiring of the dedicated supply circuit, but they are suitable for connection to these circuits under the jurisdiction of the National Electric Code, and/or the local inspection authority.

- It is the owner's responsibility to ensure that a licensed electrician performs the installation of the electrical supply for this appliance. The electrical installation, including minimum supply wire size, must comply with the National Electric Code ANSI/NFPA 70 (latest revision) and local codes and ordinances. A copy of the standard may be obtained from:

National Fire Protection Association
1 Batterymarch Park
Quincy, Massachusetts 02269-9101

- The correct voltage, frequency and amperage must be supplied to the appliance from a dedicated, grounded, circuit that is protected by a properly sized circuit breaker or time-delay fuse. If a time-delay fuse is utilized, fuse both sides of the line (L1 and L2).

- The junction box and the remote circuit breaker panel or fuse box, must be accessible when the cooktop is in place.

Model	Dedicated Circuit Required	Total Connected Load**
ETT304-1	240 Vac, 60 Hz. 3 wire* 40 Amp.	6.9 kW (29 Amp.)
ETT365-2	240 Vac, 60 Hz. 3 wire* 40 Amp.	9.1 kW (38 Amp.)
MET304	240 Vac, 60 Hz. 3 wire* 40 Amp.	6.9 kW (29 Amp.)
METB365-1	240 Vac, 60 Hz. 3 wire* 50 Amp.	9.6 kW (40 Amp.)

* Two 120 Vac hot (L1 and L2) and one ground (all copper).

** For reference only. See the product data label (on the bottom of the unit) for exact specifications. The minimum wire size required by the manufacturer is 8 AWG. Local codes may require that minimum wire gauge used exceed this requirement for the power requirements listed on the product data label.

Installation Specifications

WARNING

- **IMPORTANT:** Observe all governing codes and ordinances during planning and installation. Contact your local building department for further information.
- To reduce the risk of a fire hazard, all minimum/maximum clearances shown must be met or exceeded.
- When installing model ETT365-2 or METB365-1 and the bottom of the chassis is to be enclosed wall to wall, you must install ventilation duct kit ATD323. See the duct installation instructions for cutout requirements.

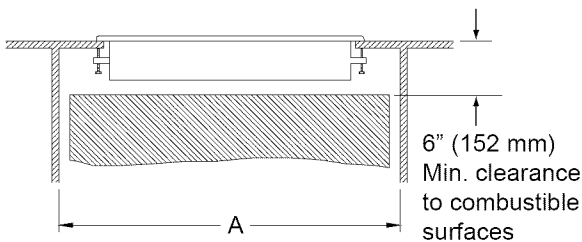
Planning the Location

- Dacor recommends installing a non-combustible material on the rear wall behind the cooktop.
- Carefully check the location where the cooktop is to be installed. It should be placed for convenient access.
- To reduce the risk of personal injury caused by reaching over a hot appliance, cabinet storage space located directly above the cooktop should be avoided.
- Make certain that electrical power meeting the specifications on page 3 can be provided in the selected location. Verify that the electrical location is permitted by local building codes. Locate the junction box within reach of the included 48 inch long (1219 mm) cooktop power conduit attached at the bottom right rear of the chassis. Do not lengthen the wiring. Make sure the underside of the cooktop and the junction box are accessible for inspection and service.

Cabinet Layout

Under Counter Clearance

- Allow a minimum of six(6) inches (152 mm) clearance between the base of the glass cooktop frame and any combustible surface below, including the upper edge of drawers below the cooktop. Proper under-cabinet clearance is also required for the cooktop hold down brackets.



Cooktop Models	A - Minimum Under Counter Clearance (Width)
ETT304-1, MET304	30 1/2" (775 mm)
ETT365-2, METB365-1	36 1/2" (927 mm)

Under Counter Clearance - All Installations

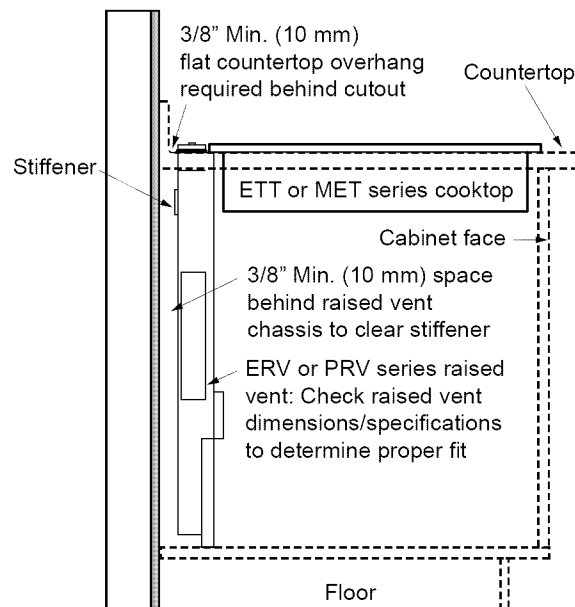
Ventilation

To reduce the risk of personal injury and to reduce accumulated smoke in the room, Dacor strongly recommends installing a vent hood or raised vent. Install the vent hood or raised vent according to the accompanying installation instructions. A vent hood should cover the entire cooking surface below it.

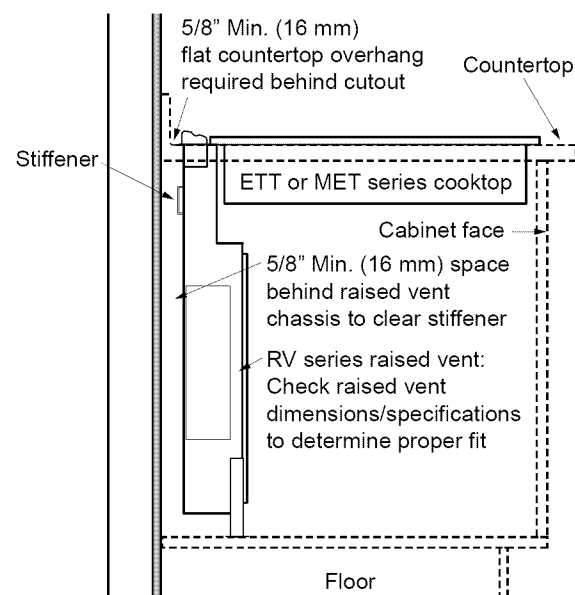
If installing the cooktop with a raised vent, install only the following approved Dacor model numbers:

Cooktop Models	Approved Raised Vent Models
ETT304-1 MET304	ERV30, PRV30 or RV30
ETT365-2 METB365-1	ERV36, PRV36 or RV36

Raised vent installation must allow room for the stiffener bar on the back of the raised vent chassis. See below.



Side View: Cooktop and ERV/PRV Series Raised Vent



Side View: Cooktop and RV Series Raised Vent

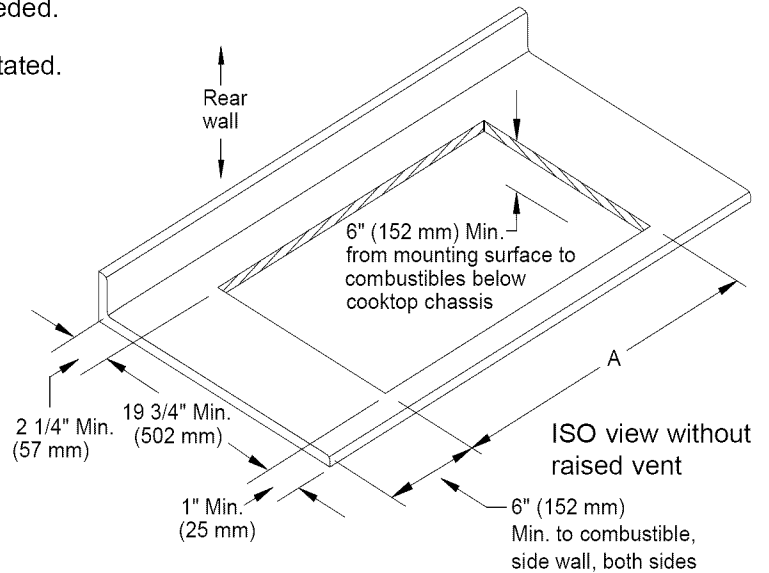
Installation Specifications

Cabinet Cutout Dimensions

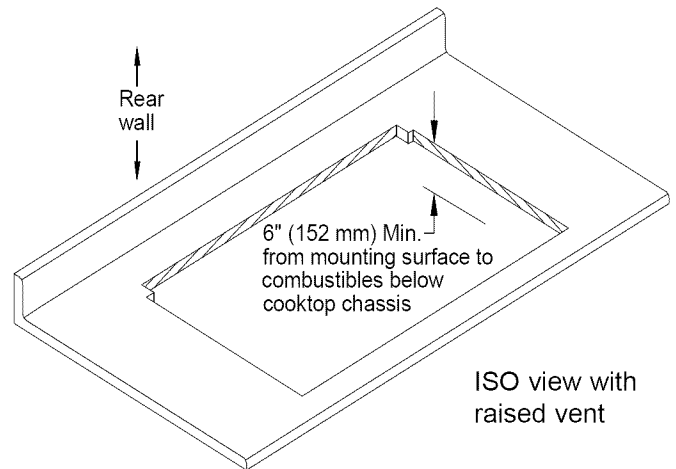
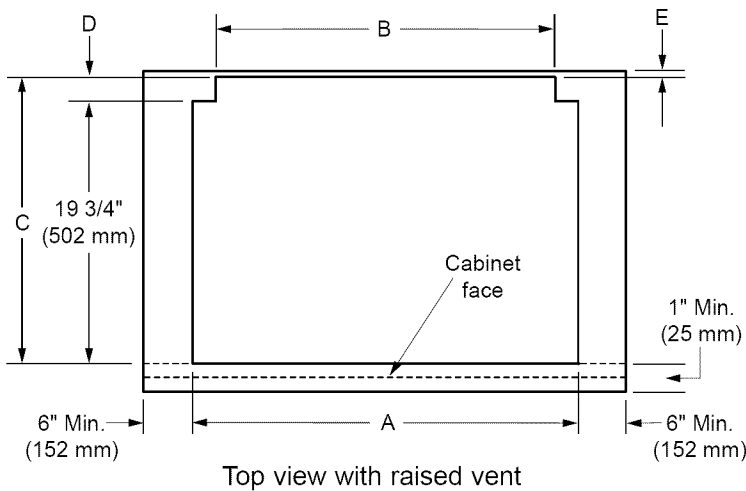
Before making the countertop cutout, make certain that the required dimensions shown below have been met or exceeded.

All tolerances: +1/16, -0 (+1.6 mm, -0), unless otherwise stated.

Dimension Table - Installations without Raised Vent	
Models	A - Cooktop Cutout Width
ETT304-1, MET304	28 3/4" (730 mm)
ETT365-2, METB365-1	34 3/4" (883 mm)



Countertop Cutout Dimensions Without a Raised Vent Installed



Countertop Cutout Dimensions With Raised Vent Installed

Dimension Table - Installations with Raised Vent					
Model/Configuration	A - Cooktop Cutout Width	B - Raised Vent Cutout Width	C - Total Cutout Depth	D - Raised Vent Cutout Depth	E - Min. Rear Countertop Overhang
ETT304-1 or MET304 cooktop with ERV30 or PRV30 raised vent.	28 3/4" (730 mm)	27 3/4" (705 mm)	22 1/2" (572 mm)	2 3/4" (70 mm)	3/8" (10 mm)
ETT304-1 or MET304 cooktop with RV30 raised vent.			22 1/4" (565 mm)	2 1/2" (64 mm)	5/8" (16 mm)
ETT365-2 or METB365-1 cooktop with ERV36 or PRV36 raised vent.	34 3/4" (883 mm)	33 3/4" (857 mm)	22 1/2" (572 mm)	2 3/4" (70 mm)	3/8" (10 mm)
ETT365-2 or METB365-1 cooktop with RV36 raised vent.			22 1/4" (565 mm)	2 1/2" (64 mm)	5/8" (16 mm)

Installation Instructions

Verify the Package Contents

Verify that all the items below have been provided. If any item is missing or damaged, please contact your dealer immediately. Do not install a damaged or incomplete appliance. Make sure that you have everything necessary to ensure proper installation before proceeding.

- Foam tape
- Mounting brackets (2)
- Glass scraper
- Dacor Cooktop Cleaning Creme
- Product literature

Chassis Installation

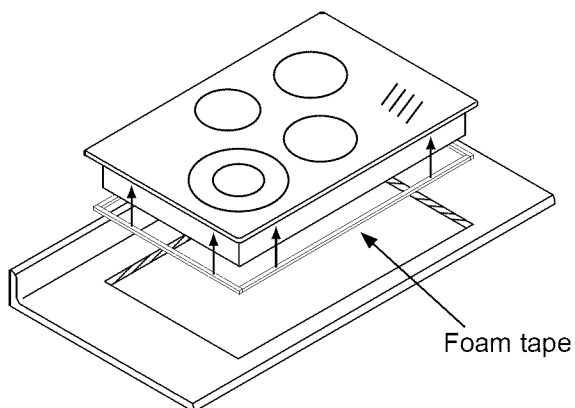
WARNING

If the electrical service provided does not meet the specifications on page 3, do not proceed with the installation. Call a licensed electrician to install the required wiring.

IMPORTANT

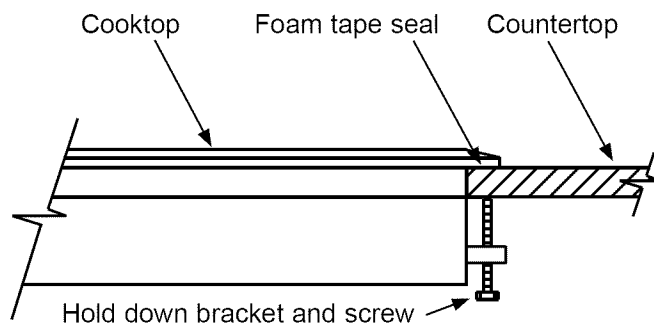
- Do not over-tighten the hold down bolts. Over tightening the hold down bolts may result in damage.
- Do not use a hardening compound, glue or caulk to seal the cooktop into place. The cooktop must be readily removable if service is required. Removal of any sealant to service the unit will be performed at the customer's expense.

1. If the cooktop will be used with a raised vent, install the vent according to its installation instructions first. Install it in the back of the cutout.
2. Attach the foam tape provided with the unit to the underside of the cooktop mounting surface.



3. Lower the cooktop into the cutout and center it.

4. Secure the cooktop to the countertop utilizing the two (2) hold-down brackets provided. Slide the brackets into the slots located on the left and right sides of the chassis, then tighten the screws to the underside of the countertop.



Electrical Connection

WARNING

- To prevent an electric shock or fire hazard, turn off power to the circuit at the circuit breaker or fuse box prior to connecting the cooktop wiring to the junction box.
- Failure to connect the cooktop electrical wiring as specified may result in an electric shock hazard, a fire hazard and damage to the appliance.
- Connect the ground (green) wire from the appliance to a grounded, metallic, permanent wiring system or grounding conductor. DO NOT ground the appliance with a neutral (white) house supply wire. A separate ground wire must be utilized.
- This appliance must be properly grounded according to these instructions any time power is applied.
- If aluminum house supply wiring is utilized, splice the appliance copper wires to the aluminum house wiring using special connectors designed and agency-certified for joining copper and aluminum. Follow the connector manufacturer's recommended procedure carefully. Improper connection may result in a fire hazard.

IMPORTANT

Provide slack in the conduit to allow the cooktop to slide out for servicing.

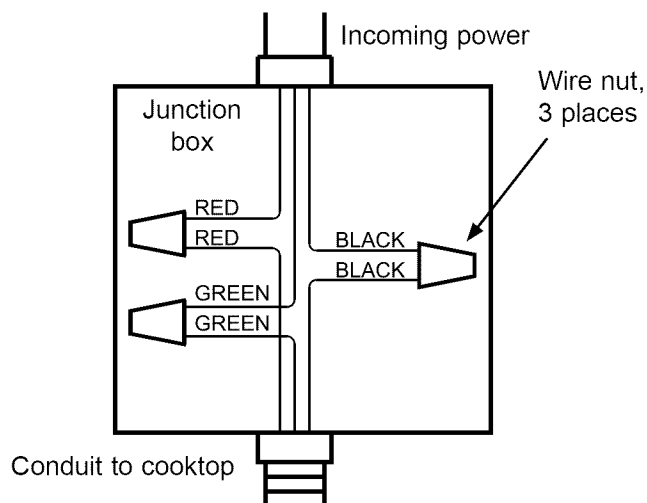
1. Before proceeding, turn off power to the circuit to which the cooktop will be connected at the circuit breaker panel or fuse box.
2. Feed the appliance conduit into the electrical junction box and attach it using a UL certified strain relief.
3. Depending upon local codes, utilize one of the two methods shown on the facing page to connect the appliance to the power.

Installation Instructions

Three Wire Electrical Connection

See diagram on right.

1. Separate the wires coming out of the appliance conduit.
2. Connect the black wire from the appliance conduit to the black (L1) supply wire in the junction box.
3. Connect the red wire from the appliance conduit to the red (L2) supply wire in the junction box.
4. Connect the green wire from the appliance conduit to the green (ground) wire in the junction box.



Three Wire Connection

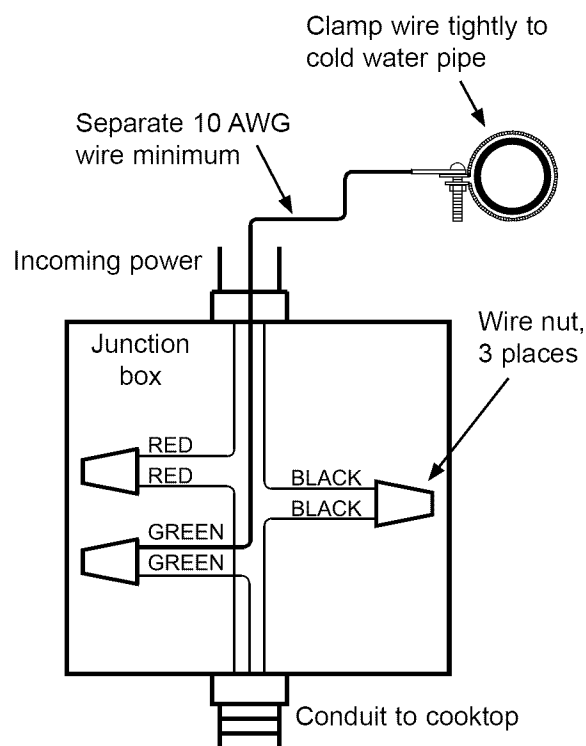
Three Wire Electrical Connection with External Ground

WARNING

- Do not ground the appliance to a gas supply pipe or hot water pipe.
- If connecting the ground wire to a grounded cold water pipe, connect it using a separate copper grounding wire (No. 10 minimum) and a clamp with an external grounding screw. The grounded cold water pipe must have metal continuity to electrical ground and must not be interrupted by insulating materials. Any insulating materials must be jumped with a minimum 4 AWG wire to establish continuity to ground. See diagram below right.

NOTE

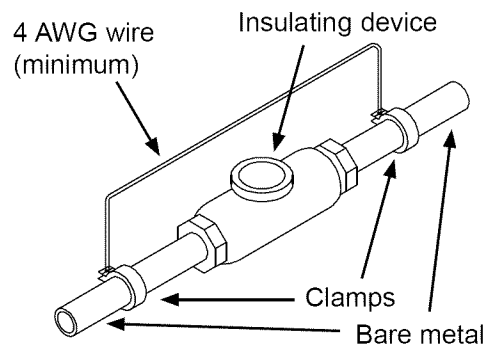
If the junction box has been properly grounded by a licensed electrician, the green (ground) wire from the appliance conduit may be connected to the junction box using a loop terminal.



Three Wire Connection with External Ground

See diagrams on right.

1. Separate the wires coming out of the appliance conduit.
2. Connect the black wire from the appliance conduit to the black (L1) supply wire in the junction box.
3. Connect the red wire from the appliance conduit to the red (L2) supply wire in the junction box.
4. Connect the green wire from the appliance conduit to a grounded cold water pipe as shown. Jumper any insulating materials as shown with a length of No. 4 copper wire. Securely clamp the wire to bare metal at both ends.



Insulated Pipe Jumper

Installation Instructions

Verifying Proper Operation

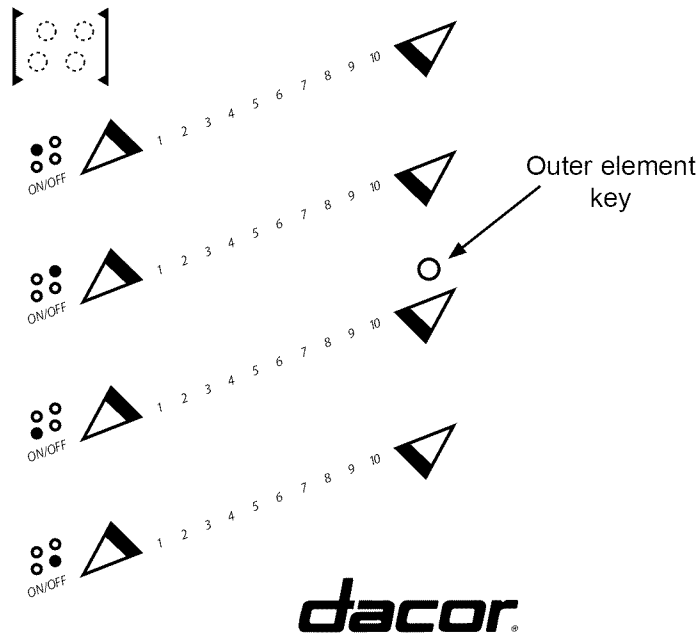
WARNING

Read the accompanying use and care manual completely before using the cooktop.

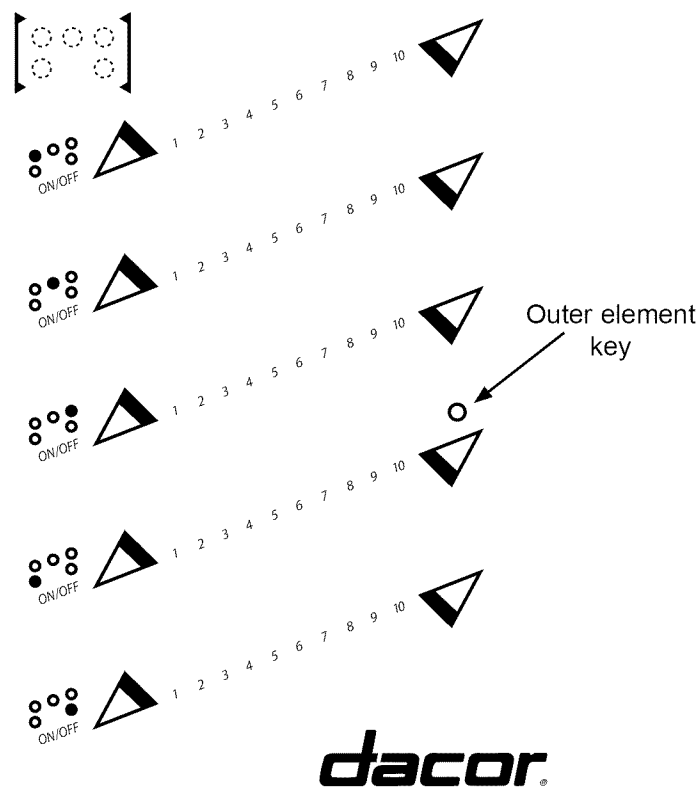
1. Clean the cooking surface according to the use and care manual prior to use.
2. Turn on the power to the cooktop at the circuit breaker or fuse box. When the unit is powered on for the first time, the cooktop controls will go through a self-check routine. For safety, when the self-check is complete, the cooktop controls will go into locked mode. Unlock the element controls:
 - ◇ On ETT series models, push and hold the Dacor logo key for three seconds. Three beeps should sound and the Dacor logo indicator light should go out.
 - ◇ On MET series models, push and hold the **CANCEL • SECURE** key for three seconds. Three beeps should sound and the **CANCEL • SECURE** indicator light should go out.
3. Turn on the left rear element by pressing the left rear **ON/OFF** key. Press the **8** setting key (on the same row) to select heat level **8**. Verify that the element begins to heat, then turn it off by pressing the **ON/OFF** key.
4. Repeat step 3 for the remaining burners. The left front burner has two different elements, an inner one and an outer one. To activate the outer element:
 - ◇ Press the **ON/OFF** key for the left front element and press the **8** number setting.
 - ◇ Activate the outer element by pressing the outer element key (the circle) on the right side of the element control.
 - ◇ On model METB365-1, turn on both the right front and left front elements on setting **8**, then press the bridge element key to verify it is working.
5. For safety, lock the controls after testing is complete.

NOTE: If the cooktop does not operate properly, follow these troubleshooting steps:

- ◇ Verify that power is supplied to the cooktop.
- ◇ Check for proper electrical connections.
- ◇ Make sure the cooktop controls are not locked (see step 2).
- ◇ Repeat the above tests.
- ◇ If the appliance still does not work, contact Dacor Distinctive Service at (877) 337-3226. Do not attempt to repair the appliance yourself. If you need service, be sure to have the model and serial numbers available when you call. They are located on the bottom of the appliance.

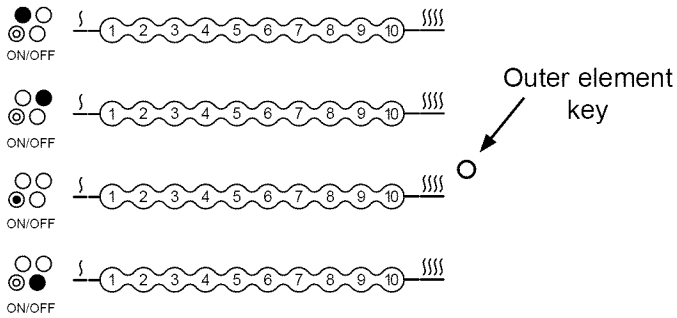


Cooktop Controls - Model ETT304-1



Cooktop Controls - Model ETT365-2

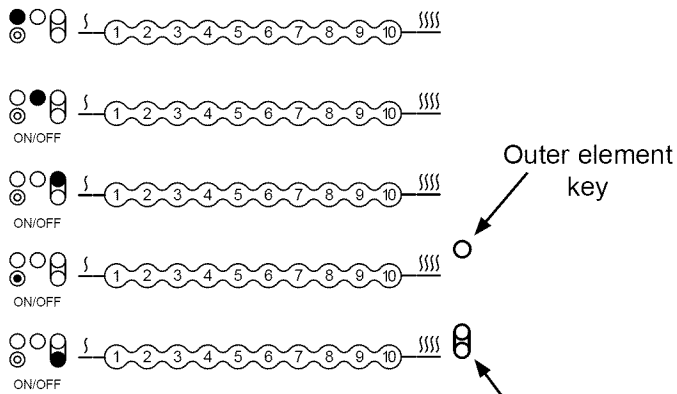
Installation Instructions



dacor

CANCEL • SECURE

Cooktop Controls - Model MET304



dacor

CANCEL • SECURE

Cooktop Controls - Model METB365-1

dacor[®]
The Life of the Kitchen.[®]

Dacor • Phone: (800) 793-0093 • FAX: (626) 403-3130 • www.Dacor.com