

## Use & Care Guide

Model: 415.16649011

# Kenmore<sup>®</sup> Liquid Propane Gas Grill

P/N G614-001-030801  
Sears Brands Management Corporation  
Hoffman Estates, IL 60179 U.S.A.  
[www.kenmore.com](http://www.kenmore.com)  
[www.sears.com](http://www.sears.com)



 **DANGER** 

If you smell gas:

1. Shut off gas to the appliance.
2. Extinguish any open flame.
3. Open lid.
4. If odor continues, keep away from the appliance and immediately call your gas supplier or your fire department.

 **WARNING** 

1. Do not store or use gasoline or other flammable liquids or vapors in the vicinity of this or any other appliance.
2. An LP Tank not connected for use shall not be stored in the vicinity of this or any other appliance.

**Call the Grill Information Center for Help and Parts**  
Missing Parts? Assembly Questions? Operation Problems?  
Before returning grill to store, call **1-800-241-7548**

**Product Record**

**IMPORTANT:** Fill out the product record information below.

Model Number \_\_\_\_\_

Serial Number \_\_\_\_\_  
See rating label on grill for serial number.

Date Purchased \_\_\_\_\_

To Installer/Assembler: Leave these instructions with consumer.

To Consumer: Keep this manual for future reference.

 **CAUTION** 

Some parts may contain sharp edges, especially as noted in these instructions.  
Wear protective gloves if necessary.

 **CAUTION** 

**For residential use only. Do not use for commercial cooking.**

 **WARNING** 

**CALIFORNIA PROPOSITION 65**

1. Combustion by-products produced when using this product contain chemicals known to the State of California to cause cancer, birth defects, and other reproductive harm.
2. This product contains chemicals, including lead and lead compounds, known to the State of California to cause cancer, birth defects or other reproductive harm.

Wash your hands after handling this product.

**Installation Safety Precautions**

- Use grill, as purchased, only with LP (propane) gas and the regulator/valve assembly supplied.
- Grill installation must conform with local codes, or in the absence of local codes, with either the National Fuel Gas Code, ANSI Z223.1/ NFPA 54, Natural Gas and Propane Installation Code, CSA B149.1, or Propane Storage and Handling Code, B149.2, or the Standard for Recreational Vehicles, ANSI A 119.2/NFPA 1192, and CSA Z240 RV Series, Recreational Vehicle Code, as applicable.
- All electrical accessories (such as a rotisserie) must be electrically grounded in accordance with local codes, or National Electrical Code, ANSI / NFPA 70 or Canadian Electrical Code, CSA C22.1. Keep any electrical cords and/or fuel supply hoses away from any hot surfaces.
- Grill is not for use in or on recreational vehicles and/or boats.
- This grill is safety certified for use in the United States and/or Canada only. Do not modify for use in any other location. Modification will result in a safety hazard.

**Safety Symbols**

The symbols and boxes shown below explain what each heading means. Read and follow all of the messages found throughout the manual.

 **DANGER** 

**DANGER:** Indicates an imminently hazardous situation which, if not avoided, will result in death or serious injury.

 **WARNING** 

**WARNING:** Be alert to the possibility of serious bodily injury if the instructions are not followed. Be sure to read and carefully follow all of the messages.

 **CAUTION** 

**CAUTION:** Indicates a potentially hazardous situation which, if not avoided, may result in minor or moderate injury.

## Table of Contents

For Your Safety.....	2
Grill Information Center .....	2
Product Record Information .....	2
Safety Symbols.....	2
Installation Safety Precautions.....	2
Kenmore Grill Warranty.....	3
Use and Care .....	4-10
Parts List .....	11
Parts Diagram .....	12
Assembly .....	13-22
Troubleshooting .....	23-25

### Repair Protection Agreements

Congratulations on making a smart purchase. Your new Kenmore product is designed and manufactured for years of dependable operation. But like all products, it may require repair from time to time. That's when having a Repair Protection Agreement can save you money and aggravation.

#### Here's what the Repair Protection Agreement\* includes:

- ✓ **Expert service** by our 10,000 professional repair specialists
- ✓ **Unlimited service and no charge** for parts and labor on all covered repairs
- ✓ **Product replacement** up to \$1500 if your covered product can't be fixed
- ✓ **Discount of 10%** from regular price of service and related installed parts not covered by the agreement; also, 10% off regular price of preventive maintenance check
- ✓ **Fast help by phone** – we call it Rapid Resolution – phone support from a Sears representative. Think of us as a “talking owner's manual.”

Once you purchase the Repair Protection Agreement, a simple phone call is all that it takes for you to schedule service. You can call anytime day or night, or schedule a service appointment online.

The Repair Protection Agreement is a risk-free purchase. If you cancel for any reason during the product warranty period, we will provide a full refund. Or, a prorated refund anytime after the product warranty period expires. Purchase your Repair Protection Agreement today!

**Some limitations and exclusions apply. For prices and additional information in the U.S.A. call 1-800-827-6655.**

**\*Coverage in Canada varies on some items. For full details call Sears Canada at 1-800-361-6665.**

#### Sears Installation Service

For Sears professional installation of home appliances, garage door openers, water heaters, and other major home items, in the U.S.A. or Canada call **1-800-4-MY-HOME®**

## WARRANTY

### KENMORE GRILL WARRANTY

#### One Year Full Warranty on Kenmore Grill

If this grill fails due to a defect in material or workmanship within one year from the date of purchase, call 1-800-4-MY-HOME® to arrange for free repair (or replacement if repair proves impossible).

#### Ten-Year Limited Warranty on Burners

For ten years from the date of purchase, any burner that rusts through will be replaced free of charge. After the first year from the date of purchase, you pay for labor if you wish to have it installed.


All warranty coverage excludes ignitor batteries and grill part paint loss, discoloration or surface rusting, which are either expendable parts that can wear out from normal use within the warranty period, or are conditions that can be the result of normal use, accident or improper maintenance.

All warranty coverage is void if this grill is ever used for commercial or rental purposes.


All warranty coverage applies only if this grill is used in the United States.

This warranty gives you specific legal rights, and you may also have other rights which vary from state to state.

**Sears Brands Management Corp.**  
Hoffman Estates, IL 60179



## WARNING



- **Read and follow all Safety, Assembly, and Use and Care Instructions in this Guide before assembling and cooking with this grill.**
- **Failure to follow all instructions in this Use and Care Guide may lead to fire or explosion, which could result in property damage, personal injury or death.**

### This Grill is for Outdoor Use Only

#### Tools needed for assembly:

- Adjustable wrench (not provided)
- Screwdriver (not provided)
- 7/16" Combination wrench (not provided)

### CONVERSION READY

This grill easily converts from LP liquid propane to NG natural gas. Contact **1-800-4-MY-HOME®** or [www.sears.com](http://www.sears.com) to purchase a natural gas conversion kit, part number 415.7116572.

Dual Fuel™ is a registered trademarks of the W. C. Bradley Company and used, with permission, by Sears Holdings Corporation. All rights reserved.

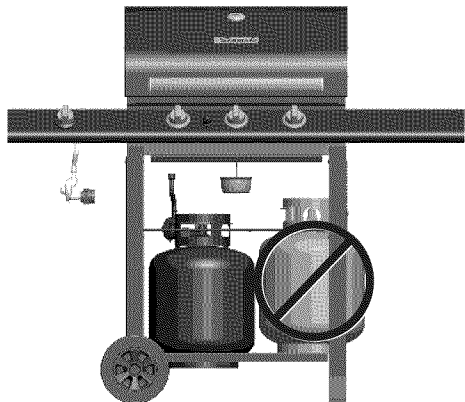




# DANGER



- **NEVER** store a spare LP cylinder under or near the appliance or in an enclosed area.

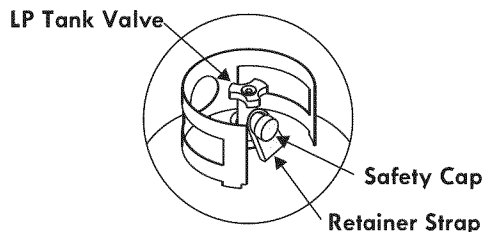


- **Never fill a cylinder beyond 80% full.**
- **If the information in the two points above is not followed exactly, a fire causing death or serious injury may occur.**
- **An overfilled or improperly stored cylinder is a hazard due to possible gas release from the safety relief valve. This could cause an intense fire with risk of property damage, serious injury or death.**
- **If you see, smell or hear gas escaping, immediately get away from the LP cylinder and appliance and call your fire department.**

## LP Tank Removal, Transport And Storage

- Turn OFF all control knobs and LP tank valve. Turn coupling nut counterclockwise by hand only - do not use tools to disconnect. Lift LP tank wire upward off of LP tank collar, then lift LP tank up and off of support bracket. Install safety cap onto LP tank valve. Always use cap and strap supplied with valve.

**Failure to use safety cap as directed may result in serious personal injury and/or property damage.**



- A disconnected LP tank in storage or being transported must have a safety cap installed (as shown). Do not store an LP tank in enclosed spaces such as a carport, garage, porch, covered patio or other building. Never leave an LP tank inside a vehicle which may become overheated by the sun.
- Do not store an LP tank in an area where children play.

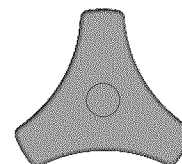
## LP Tank

- **The LP Tank used with your grill must meet the following requirements:**

- Use LP Tanks only with these required measurements: 12" (30.5cm) (diameter) x 18" (45.7 cm) (tall) with 20 lb. (9 kg.) capacity maximum.
- LP Tanks must be constructed and marked in accordance with specifications for LP Tanks of the U.S. Department of Transportation (DOT) or for Canada, CAN/CSA-B339, tanks, spheres and tubes for transportation of dangerous goods. Transport Canada (TC). See LP Tank collar for marking.

- LP Tank valve must have:

- Type 1 outlet compatible with regulator or grill.
- Safety relief valve.
- UL listed Overfill Protection Device (OPD). This OPD safety feature is identified by a unique triangular hand wheel.



**OPD Hand Wheel**

**Use only LP Tanks equipped with this type of valve.**

- LP Tank must be arranged for vapor withdrawal and include collar to protect LP Tank valve. Always keep LP Tanks in upright position during use, transit or storage.



LP Tank in upright position for vapor withdrawal

## LP (Liquefied Petroleum Gas)

- LP gas is nontoxic, odorless and colorless when produced. **For Your Safety**, LP gas has been given an odor (similar to rotten cabbage) so that it can be smelled.
- LP gas is highly flammable and may ignite unexpectedly when mixed with air.

## LP Tank Filling

- Use only licensed and experienced dealers.
- LP dealer **must purge new tank** before filling.
- Dealer should **NEVER** fill LP Tank more than 80% of LP Tank volume. Volume of propane in tank will vary by temperature.
- A frosty regulator indicates gas overfill. Immediately close LP Tank valve and call local LP gas dealer for assistance.
- Do not release liquid propane (LP) gas into the atmosphere. This is a hazardous practice.
- To remove gas from LP Tank, contact an LP dealer or call a local fire department for assistance. Check the telephone directory under "Gas Companies" for nearest certified LP dealers.

## LP Tank Exchange

- Many retailers that sell grills offer you the option of replacing your empty LP tank through an exchange service. Use only those reputable exchange companies that inspect, precision fill, test and certify their tanks. **Exchange your tank only for an OPD safety feature-equipped tank as described in the "LP Tank" section of this manual.**
- Always keep new and exchanged LP tanks in upright position during use, transit or storage.
- **Leak test new and exchanged LP tanks BEFORE connecting to grill.**
- Place dust cap on cylinder valve outlet whenever the cylinder is not in use. Only install the type of dust cap on the cylinder valve outlet that is provided with the cylinder valve. Other types of caps or plugs may result in leakage of propane.

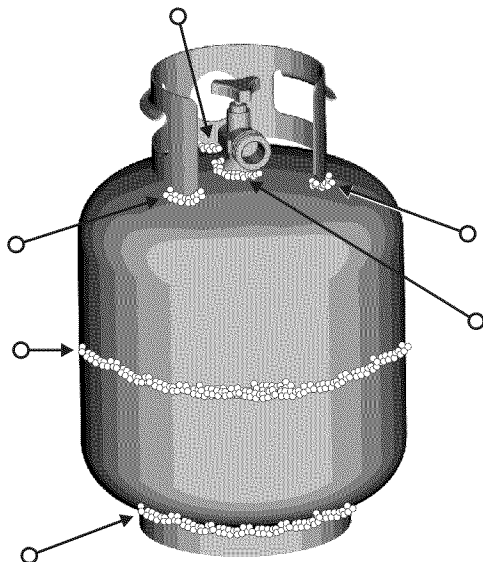
## LP Tank Leak Test

### For your safety

- Leak test must be repeated each time LP tank is exchanged or refilled.
- Do not smoke during leak test.
- Do not use an open flame to check for gas leaks.
- Grill must be leak tested outdoors in a well-ventilated area, away from ignition sources such as gas fired or electrical appliances. During leak test, keep grill away from open flames or sparks.
- Use a clean paintbrush and a 50/50 mild soap and water solution. Brush soapy solution onto areas indicated by arrows in figure below. Leaks are indicated by growing bubbles.

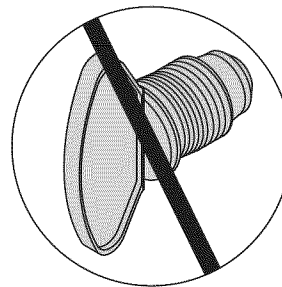
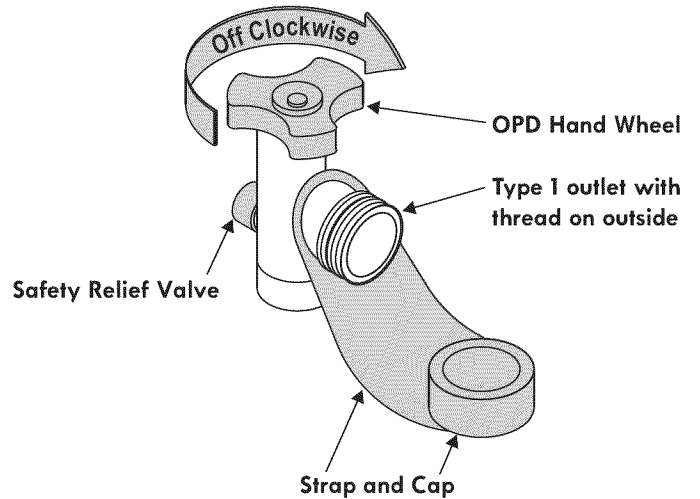
	<h1>WARNING</h1>	
<p>If "growing" bubbles appear do not use or move the LP tank. Contact an LP gas supplier or your fire department!</p>		

- ▲ **Do not use household cleaning agents.** Damage to gas valve/hose/regulator components can result.



## Connecting Regulator To The LP Tank

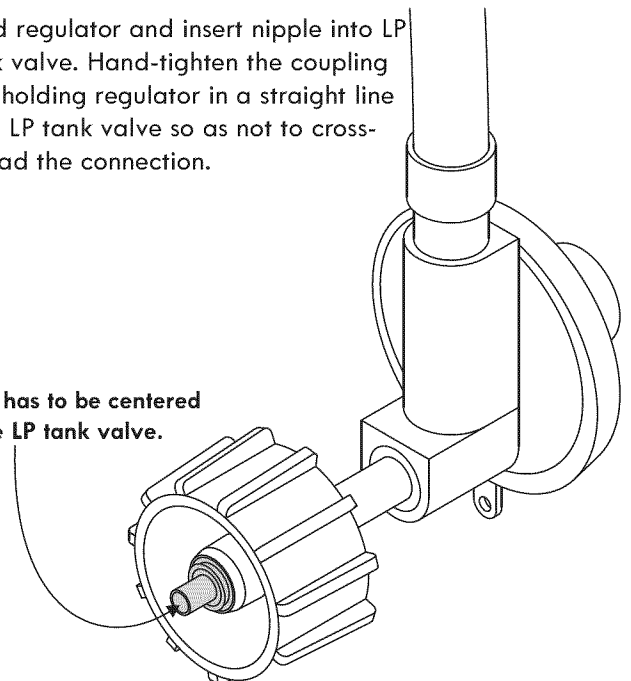
1. LP tank must be properly secured onto grill. (Refer to assembly section.)
2. Turn all control knobs to the OFF position.
3. Turn LP tank OFF by turning OPD hand wheel clockwise to a **full stop**.
4. Remove the protective cap from LP tank valve. Always use cap and strap supplied with valve.

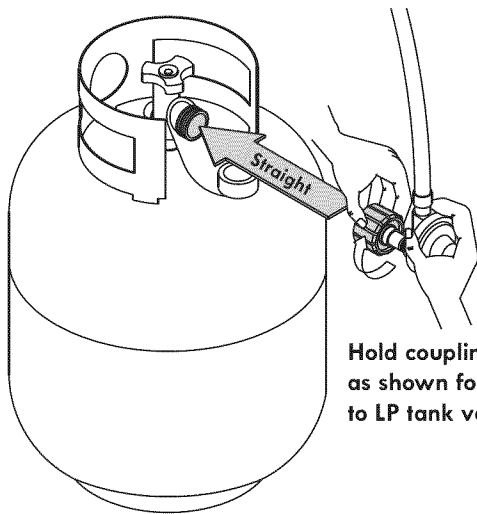


**Do not insert a POL transport plug (plastic part with external threads) into the Type 1 tank valve outlet. It will defeat the Safety Relief Valve feature.**

5. Hold regulator and insert nipple into LP tank valve. Hand-tighten the coupling nut, holding regulator in a straight line with LP tank valve so as not to cross-thread the connection.

**Nipple has to be centered into the LP tank valve.**





Hold coupling nut and regulator as shown for proper connection to LP tank valve.

6. Turn the coupling nut clockwise and tighten to a full stop. The regulator will seal on the back-check feature in the LP tank valve, resulting in some resistance. **An additional one-half to three-quarters turn is required to complete the connection. Tighten by hand only – do not use tools.**

**NOTE:**

If you cannot complete the connection, disconnect regulator and repeat steps 5 and 6. If you are still unable to complete the connection, **do not use this regulator!**

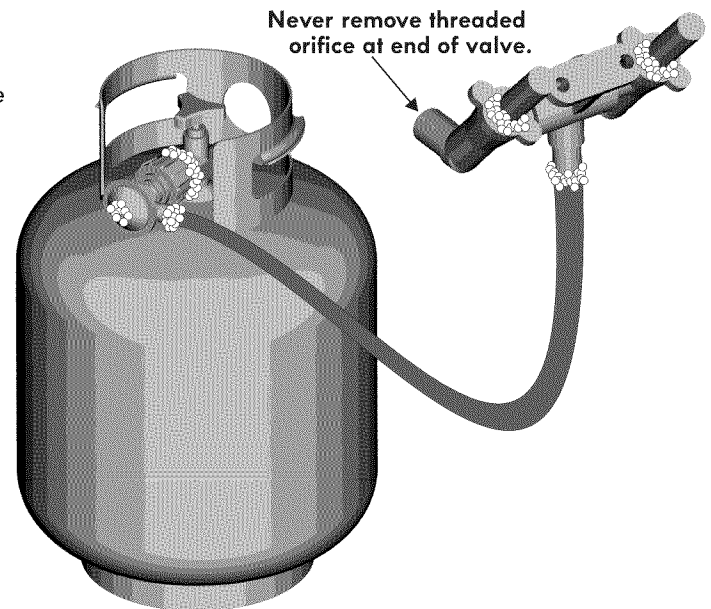
Call **1-800-4-MY-HOME®** for identical replacement parts.

	<b>DANGER</b>	
<ul style="list-style-type: none"> <li>• Do not insert any tool or foreign objects into the valve outlet or safety relief valve. You may damage the valve and cause a leak. Leaking propane may result in explosion, fire, severe personal injury, or death.</li> <li>• If a leak is detected at any time, STOP and call the fire department.</li> <li>• If you cannot stop a gas leak, immediately close LP tank valve and call LP gas supplier or your fire department!</li> </ul>		

	<b>WARNING</b>	
<ul style="list-style-type: none"> <li>• Never attempt to attach this grill to the self-contained LP gas system of a camper trailer or motor home.</li> <li>• Do not use grill until leak-tested.</li> </ul>		

**Leak Testing Valves, Hose and Regulator**

1. Turn all grill control knobs to OFF.
2. Be sure regulator is tightly connected to LP tank.
3. Completely open LP tank valve by turning OPD hand wheel counterclockwise. If you hear a rushing sound, turn gas off immediately. There is a major leak at the connection. **Correct before proceeding** by calling Sears for replacement parts at **1-800-4-MY-HOME®**.
4. Brush soapy solution onto areas where bubbles are shown in picture below:



5. If **“growing”** bubbles appear, there is a leak. Close LP tank valve immediately and retighten connections. **If leaks cannot be stopped do not try to repair.** Call Sears for replacement parts at **1-800-4-MY-HOME®**.
6. Always close LP tank valve after performing leak test by turning hand wheel clockwise.

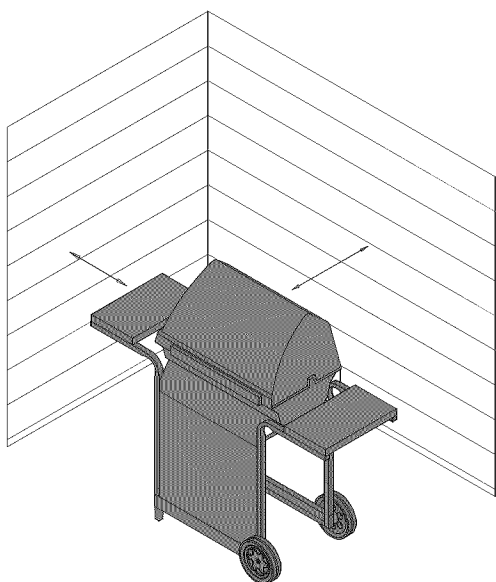


## WARNING



### For Safe Use of Your Grill and to Avoid Serious Injury:

- Do not let children operate or play near grill.
- Keep grill area clear and free from materials that burn.
- Do not block holes in sides or back of grill.
- Check burner flames regularly.
- Use grill only in well-ventilated space. NEVER use in enclosed space such as carport, garage, porch, covered patio, or under an overhead structure of any kind.
- Do not use charcoal or ceramic briquets in a gas grill. (Unless briquets are supplied with your grill.)
- **Use grill at least 3 ft. from any wall or surface.** Maintain 10 ft. clearance to objects that can catch fire or sources of ignition such as pilot lights on water heaters, live electrical appliances, etc.



- **Apartment Dwellers:** Check with management to learn the requirements and fire codes for using an LP gas grill in your apartment complex. If allowed, use outside on the ground floor with a three (3) foot clearance from walls or rails. Do not use on or under balconies.
- **NEVER attempt to light burner with lid closed. A buildup of non-ignited gas inside a closed grill is hazardous.**
- **Never operate grill with LP cylinder out of correct position specified in assembly instructions.**
- **Always close LP cylinder valve and remove coupling nut before moving LP cylinder from specified operation position.**

### Safety Tips

- ▲ Before opening LP cylinder valve, check the coupling nut for tightness.
- ▲ When grill is not in use, turn off all control knobs and LP cylinder valve.
- ▲ Never move grill while in operation or still hot.
- ▲ Use long-handled barbecue utensils and oven mitts to avoid burns and splatters.
- ▲ Maximum load for sideburner and side shelf is 10 lbs.
- ▲ The grease tray must be inserted into grill and emptied after each use. Do not remove grease tray until grill has completely cooled.
- ▲ Clean grill often, preferably after each cookout. If a bristle brush is used to clean any of the grill cooking surfaces, ensure no loose bristles remain on cooking surfaces prior to grilling. It is not recommended to clean cooking surfaces while grill is hot.
- ▲ If you notice grease or other hot material dripping from grill onto valve, hose or regulator, turn off gas supply at once. Determine the cause, correct it, then clean and inspect valve, hose and regulator before continuing. Perform a leak test.
- ▲ Keep ventilation openings in cylinder enclosure (grill cart) free and clear of debris.
- ▲ Do not store objects or materials inside the grill cart enclosure that would block the flow of combustion air to the underside of either the control panel or the firebox bowl.
- ▲ The regulator may make a humming or whistling noise during operation. This will not affect safety or use of grill.
- ▲ If you have a grill problem see the "Troubleshooting Section".
- ▲ If the regulator frosts, turn off grill and LP cylinder valve immediately. This indicates a problem with the cylinder and it should not be used on any product. Return to supplier!



## CAUTION



- **Do not preheat the grill on HIGH with the lid closed for longer than 15 minutes. Preheating the grill with the lid closed beyond this point can result in excessive cooking temperatures, risk of injury.**
- **Putting out grease fires by closing the lid is not possible. Grills are well ventilated for safety reasons.**
- **Do not use water on a grease fire. Personal injury may result. If a grease fire develops, turn knobs and LP cylinder off.**
- **Do not leave grill unattended while preheating or burning off food residue on HI. If grill has not been regularly cleaned, a grease fire can occur that may damage the product.**

### Main Burner Ignitor Lighting

▲ **Do not lean over grill while lighting.**

1. Turn **OFF** all Gas Burner Control Valves.
2. Turn **ON** gas source or tank.
3. Open lid during Lighting.
4. Push and turn main burner control knob to ⚡ and hold in. You will hear a clicking sound as the burner is being ignited. Ignition should occur within 5 seconds, but continue to hold the knob in for a full 10 seconds to maintain ignition.
5. Once burner has ignited, turn knob to desired setting.
6. If Ignition does **NOT** occur in 5 seconds, turn the burner control to **OFF**, wait 5 minutes for gas to clear away, and repeat the lighting procedure.
7. Repeat steps 4 through 6 for the remaining main burners.

### Searing Sideburner Ignitor Lighting

▲ **Do not lean over grill while lighting.**



1. **Open lid during lighting.** Turn on gas at LP cylinder.
2. Push and turn control knob to ⚡ and hold in. You will hear a clicking sound as the burner is being ignited. Ignition should occur within 5 seconds, but continue to hold the knob in for a full 10 seconds to maintain ignition.
3. Once burner has ignited, turn knob to desired setting.
4. If ignition does **NOT** occur in 5 seconds, turn the burner control **OFF**. Wait 5 minutes for gas to clear away, and repeat the lighting procedure.

### Rotisserie Burner Ignitor Lighting

▲ **Do not lean over grill while lighting.**

1. **Open lid during lighting.** Turn on gas at LP cylinder.
2. Push and turn control knob to ⚡ and hold in. You will hear a clicking sound as the burner is being ignited. Ignition should occur within 5 seconds, but continue to hold the knob in for a full 10 seconds to maintain ignition.
3. Once burner has ignited, turn knob to desired setting.
4. If ignition does **NOT** occur in 5 seconds, turn the burner control **OFF**. Wait 5 minutes for gas to clear away, and repeat the lighting procedure.

	<b>WARNING</b>	
<b>Turn controls and gas source or tank OFF when not in use.</b>		

	<b>CAUTION</b>	
<b>If ignition does NOT occur in 5 seconds, turn the burner controls OFF, wait 5 minutes and repeat the lighting procedure. If the burner does not ignite with the valve open, gas will continue to flow out of the burner and could accidentally ignite with risk of injury.</b>		

### Match-Lighting

▲ **Do not lean over grill while lighting.**

▲ **Open lid. Turn on gas at LP cylinder.**

▲ **Light Burners one at time.**

#### Match Lighting the Main Burners

1. Place match into match holder (hanging from right cart side).
2. Strike the match and position lit match through match light hole on RH side of cart. Shown **Figure A**.
3. Position lit match next to burner. Shown **Figure B**.
4. Push in and turn far right control knob to ⚡ position. Be sure burner lights and stays lit.
5. If ignition does **NOT** occur in 5 seconds, turn the burner control knob **OFF**, wait 5 minutes for gas to clear away, and repeat the lighting procedure.
6. Light other burners in sequence from right to left by pushing knob in and turning to ⚡ position.

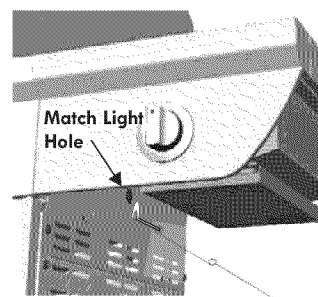


Figure A

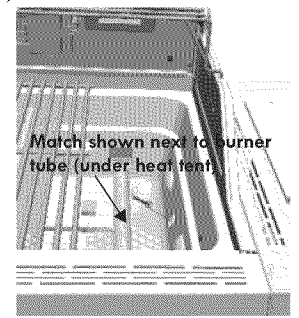


Figure B

#### Match lighting the Rotisserie Burner - Figure C

1. Place match in match holder. Strike the Match. Position lit match close to the front center of the rotisserie burner.
2. Push in and turn rotisserie burner control knob to ⚡. Be sure burner lights and stays lit.
3. If ignition does **NOT** occur in 5 seconds, turn the burner control knob **OFF**, wait 5 minutes for gas to clear away, and repeat the lighting procedure.

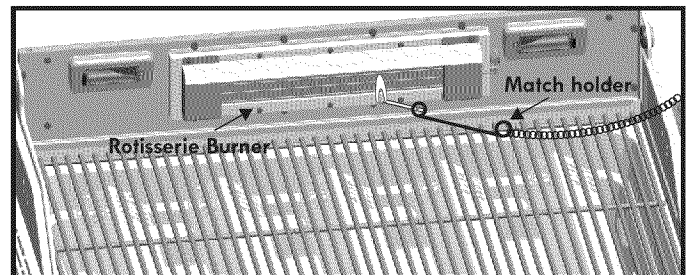


Figure C

#### Match lighting the Searing Sideburner - Figure D

1. Place match in matchholder. Strike the Match. Position lit match close to the Searing burner.
2. Push in and turn Searing burner knob to ⚡ position. Be sure burner lights and stays lit.
3. If ignition does **NOT** occur in 5 seconds, turn the burner control knob **OFF**, wait 5 minutes for gas to clear away, and repeat the lighting procedure.

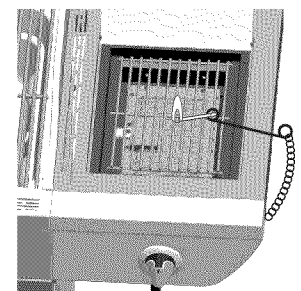
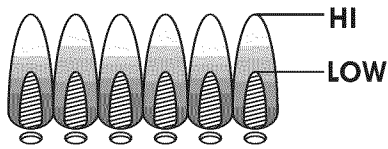


Figure D



## Burner Flame Check

- Remove cooking grates and flame tamers. Light burners, rotate knobs from **HI** ⚡ to **LOW**. You should see a smaller flame in **LOW** position than seen on **HI**. Perform burner flame check on sideburner, also. Always check flame prior to each use. If only low flame is seen refer to "Sudden drop or low flame" in the Troubleshooting Section.



## Turning Grill Off

- Turn all knobs to the **OFF** position. Turn LP cylinder **OFF** by turning hand-wheel clockwise to a full stop.

## Ignitor Check

- Turn gas off at LP cylinder.** Push and turn control knob to ⚡ and hold in. You will hear a clicking sound as the burner is being ignited. Ignition should occur within 5 seconds, but continue to hold the knob in for a full 10 seconds to maintain ignition.

## Valve Check

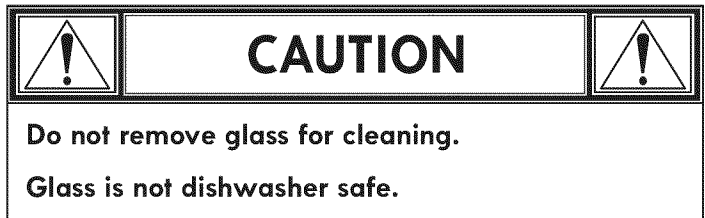
- Important: Make sure gas is off at LP cylinder before checking valves.** Knobs lock in **OFF** position. To check valves, first push in knobs and release, knobs should spring back. If knobs do not spring back, replace valve assembly before using grill. Turn knobs to **LOW** position then turn back to **OFF** position. Valves should turn smoothly.

## Hose Check

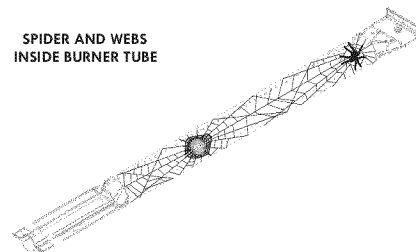
- Before each use, check to see if hoses are cut or worn. Replace damaged hoses before using grill. Use only identical replacement part valve/hose/regulator as specified in the Parts List of this Use and Care Guide.

## General Grill Cleaning

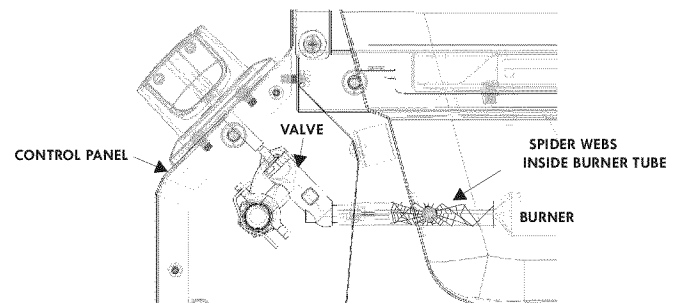
- Do not mistake brown or black accumulation of grease and smoke for paint. Interiors of gas grills are not painted at the factory (**and should never be painted**). Apply a strong solution of detergent and water or use a grill cleaner with scrub brush on insides of grill lid and bottom. Rinse and allow to completely air dry. **Do not apply a caustic grill/oven cleaner to painted surfaces.**
- Plastic parts:** Wash with warm soapy water and wipe dry. ▲ Do not use citrisol, abrasive cleaners, degreasers or a concentrated grill cleaner on plastic parts. Damage to and failure of parts can result.
- Porcelain surfaces:** Because of glass-like composition, most residue can be wiped away with baking soda/water solution or specially formulated cleaner. Use nonabrasive scouring powder for stubborn stains.
- Painted surfaces:** Wash with mild detergent or nonabrasive cleaner and warm soapy water. Wipe dry with a soft nonabrasive cloth.
- Stainless steel surfaces:** To maintain your grill's high quality appearance, wash with mild detergent and warm soapy water and wipe dry with a soft cloth after each use. Baked-on grease deposits may require the use of an abrasive plastic cleaning pad. Use only in direction of brushed finish to avoid damage. Do not use abrasive pad on areas with graphics.
- Cooking surfaces:** If a bristle brush is used to clean any of the grill cooking surfaces, ensure no loose bristles remain on cooking surfaces prior to grilling. It is not recommended to clean cooking surfaces while grill is hot.



## SPIDER ALERT!



If you notice that your grill is getting hard to light or that the flame isn't as strong as it should be, take the time to check and clean the burner tubes.



Spiders or small insects have been known to create "flashback" problems. The spiders spin webs, build nests and lay eggs in the grill's burner tube(s) obstructing the flow of gas to the burner. The backed-up gas can ignite in the burner tube behind the control panel. This is known as a flashback and it can damage your grill and even cause injury.

To prevent flashbacks and ensure good performance the burner and burner tube assembly should be removed from the grill and cleaned before use whenever the grill has been idle for an extended period.

## Cleaning the Burner Assembly

Follow these instructions to clean and/or replace parts of burner assembly or if you have trouble igniting grill.

1. Turn gas off at control knobs and LP Tank.
2. Remove cooking grates and heat diffusers.
3. Remove electrode from burner by prying the clip away as shown in Figure A below. Electrode should remain in firebox.
4. Remove hitch pins and flame carryover tubes from front of burners as shown in Figure B below.
5. Remove remaining hitch pins from rear of burner to disengage burner from bracket on firebox.
6. Carefully lift each burner up and away from valve openings.

We suggest three ways to clean the burner tubes. Use the one easiest for you.

(A) Bend a stiff wire (a light weight coat hanger works well) into a small hook. Run the hook through each burner tube several times.



(B) Use a narrow bottle brush with a flexible handle (do not use a brass wire brush), run the brush through each burner tube several times.

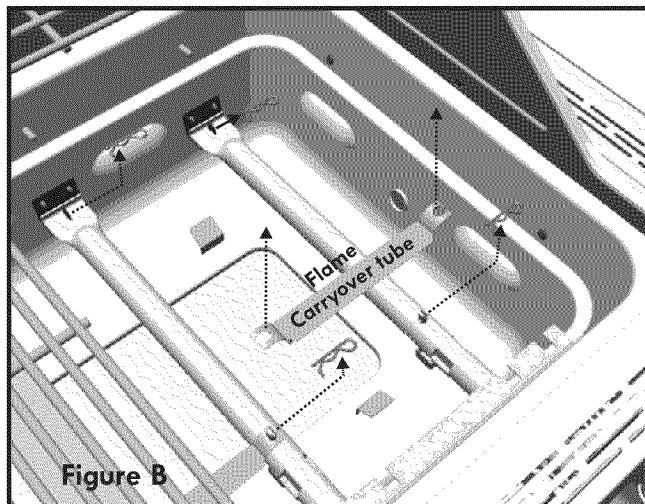
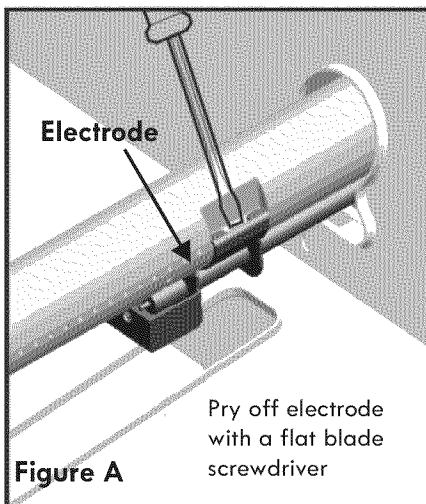
(C) **Wear eye protection:** Use an air hose to force air into the burner tube and out the burner ports. Check each port to make sure air comes out each hole.

7. Wire brush entire outer surface of burner to remove food residue and dirt.
8. Clean any blocked ports with a stiff wire such as an open paper clip.
9. Check burner for damage, due to normal wear and corrosion some holes may become enlarged. If any large cracks or holes are found replace burner.

**VERY IMPORTANT: Burner tubes must re-engage valve openings. See illustrations at right.**

10. Carefully replace burners.
11. Attach electrode to burner.
12. Attach burners to brackets on firebox.
13. Reposition flame carryover tubes and attach to burners. Replace heat tents and cooking grates.

Correct  
burner-to-valve  
engagement



## Storing Your Grill

- Clean cooking grates.
- Store in dry location.
- When LP cylinder is connected to grill, store outdoors in a well-ventilated space and out of reach of children.
- Cover grill if stored outdoors. Choose from a variety of grill covers offered by manufacturers.
- Store grill indoors ONLY if LP cylinder is turned off and disconnected, removed from grill and stored outdoors.
- When removing grill from storage, follow "Cleaning the Burner Assembly" instructions before starting grill.

## Food Safety

Food safety is a very important part of enjoying the outdoor cooking experience. To keep food safe from harmful bacteria, follow these four basic steps:

**Clean:** Wash hands, utensils, and surfaces with hot soapy water before and after handling raw meat and poultry.

**Separate:** Separate raw meats and poultry from ready-to-eat foods to avoid cross contamination. Use a clean platter and utensils when removing cooked foods.

**Cook:** Cook meat and poultry thoroughly to kill bacteria. Use a thermometer to ensure proper internal food temperatures.

**Chill:** Refrigerate prepared foods and leftovers promptly.

**For more information call: USDA Meat and Poultry Hotline at 1-800-535-4555 (In Washington, DC (202) 720-3333, 10:00 am-4:00 pm EST).**

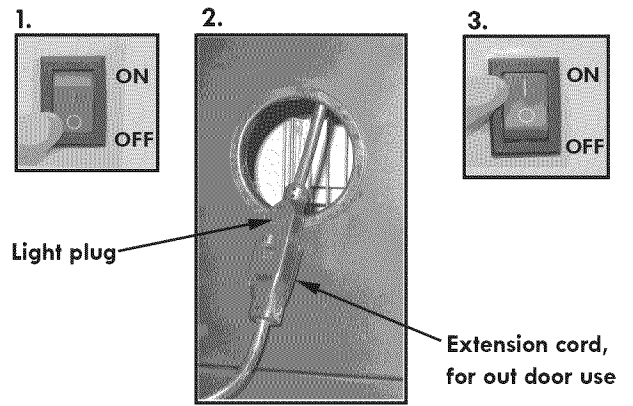
## How To Tell If Meat Is Grilled Thoroughly

- Meat and poultry cooked on a grill often browns very fast on the outside. Use a meat thermometer to be sure food has reached a safe internal temperature, and cut into food to check for visual signs of doneness.
- Whole poultry should reach 165° F. Juices should run clear and flesh should not be pink.
- Hamburgers made of any ground meat or poultry should reach 160° F, and be brown in the middle with no pink juices. Beef, veal and lamb steaks, roasts and chops can be cooked to 145° F. All cuts of pork should reach 160° F.
- NEVER partially grill meat or poultry and finish cooking later. Cook food completely to destroy harmful bacteria.
- When reheating takeout foods or fully cooked meats like hot dogs, grill to 165° F, or until steaming hot.

# Grill Halogen Light

## LIGHT OPERATION INSTRUCTIONS

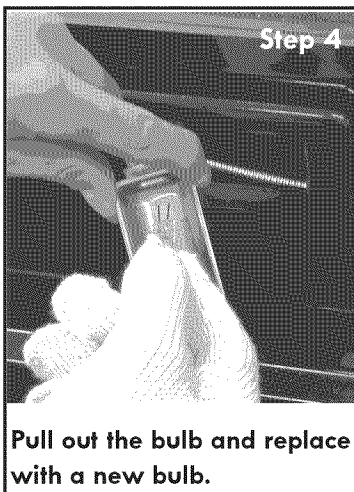
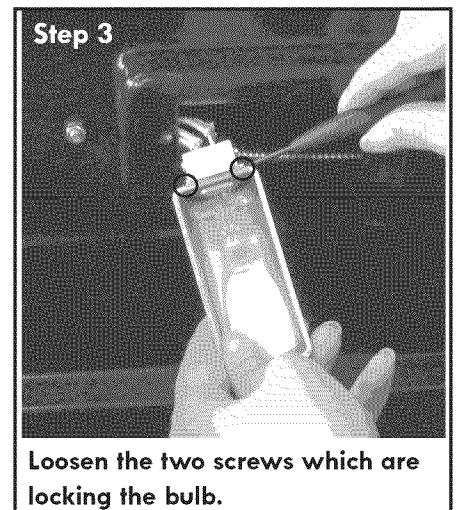
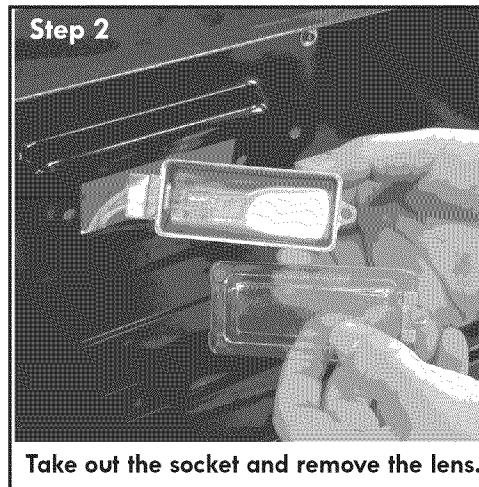
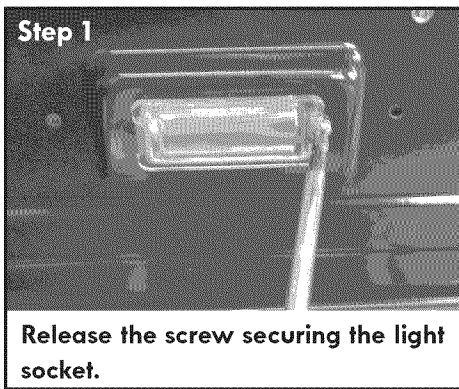
1. Make sure light switch on the control panel is in the "OFF" position.
2. Connect light plug to an extension cord, then put the extension cord plug into the outlet on the wall.
3. Turn the light switch to "ON".



	<b>WARNING</b>	
<ul style="list-style-type: none"><li>• Keep any electrical supply cord away from any heated surface.</li><li>• Use the shortest length extension cord required. Do not connect 2 or more extension cords together.</li></ul>		

## Bulb Replacement

▲ Make sure light switch on the control panel is in the "OFF" position and adapter plug is disconnected from outlet.



**Step 5**  
Reverse instructions from step 3 through step 1 to re-install socket.

<b>Bulb Specification</b> Bulb Type: Halogen Wattage: 10 W per bulb Voltage: 12 V
--

	<b>CAUTION</b>	
<p>Take care not to touch the bulb with your bare fingers. Touching bulb with your skin can leave a film on the bulb that causes it to burn out quickly.</p>		

Continued on next page

## Cleaning the Lens

1. Prior to cleaning, make sure the light switch is in the “OFF” position and the light plug is disconnected from the power supply.
2. Do not clean the glass lens when warm. Allow to cool before cleaning. Sudden change in temperature may cause cracking of the glass lens.
3. Use a damp towel to clean the surface of the glass lens.
4. Allow the lens to dry before reconnecting the light plug to the power supply and turning the light switch to the “ON” position.



- Since 1971 the National Electric Code (NEC) has required Ground Fault Interrupter devices on all outdoor circuits.
- If your residence was built before 1971, check with a qualified electrician to determine if a Ground Fault Interrupter protector exists.
- Do not use this appliance if the circuit does not have GFI protection.
- Do not plug this appliance into an indoor circuit.



1. To protect against electric shock, do not immerse cord or plugs in water or other liquid.
2. Unplug from the outlet when not in use and before cleaning. Allow to cool before putting on or taking off parts.
3. Do not operate grill with a damaged cord, plug, or after the appliance malfunctions or has been damaged in any manner.
4. Do not let the cord hang over the edge of a table or touch hot surfaces.
5. Do not use an outdoor cooking gas appliance for purposes other than intended.
6. When connecting, first connect plug to the outdoor cooking gas appliance then plug appliance into the outlet.
7. Use only a Ground Fault Interrupter(GFI) protected circuit with this outdoor cooking gas appliance.
8. Never remove the grounding plug or use with an adapter of 2 prongs.
9. Use only extension cords with a 3 prong grounding plug, rated for the power of the equipment, and approved for outdoor use with a W-A marking.

## PARTS LIST

Key	Qty	Description	Part #
1	2	LOCKING CASTER	G515-0082-W1
2	2	FIXED CASTER	G350-0024-W1
3	1	BOTTOM SHELF	G614-A300-W1
4	2	DOOR MAGNET ASSEMBLY	G501-0016-W1
5	1	LEFT SIDE PANEL	G614-A100-W1
6	1	RIGHT SIDE PANEL	G614-A200-W1
7	2	GROMMET	G501-0039-W1
8	1	12 VOLT ADAPTER	G518-0076-W1
9	1	LOWER BACK PANEL	G614-0072-W1
10	1	CART PARTITION PANEL	G614-0082-W1
11	1	INSIDE SHELF	G614-0083-W1
12	1	FIREBOX	G614-4200-W1
13	1	LEFT PANEL, OUTER FIREBOX	G614-1700-W1
14	1	RIGHT PANEL, OUTER FIREBOX	G614-1800-W1
15	1	LEFT PANEL, INNER FIREBOX	G614-0200-W1
16	1	RIGHT PANEL, INNER FIREBOX	G614-0300-W1
17	1	HEAT SHIELD, FIREBOX	G614-0047-W1
18	1	REAR UPPER PANEL, FIREBOX	G614-0048-W1
19	1	BACK COVER, ROTISSERIE BURNER	G614-0049-W1
20	1	ROTISSERIE BURNER	G614-1900-W1
21	1	RIGHT WIND SHIELD, ROTISSERIE BURNER	G614-0052-W1
22	1	LEFT WIND SHIELD, ROTISSERIE BURNER	G614-0053-W1
23	1	UPPER WIND SHIELD, ROTISSERIE BURNER	G614-0093-W1
24	1	ELECTRODE, F/ ROTISSERIE	G614-0094-W1
25	1	ELECTRODE WIRE, F/ ROTISSERIE	G614-0059-W1
26	1	GROUND WIRE, F/ EI MODULE	G411-0004-W1
27	6	HOSE CLIP	G608-0041-W1
28	2	MATCH HOLDER AND CHAIN	G508-0039-W1
29	5	MAIN BURNER	G614-A000-W1
30	5	ELECTRODE, F/MAIN BURNER, W/ WIRE & COLLECTOR BOX	G515-0014-W1
31	4	FLAME CARRYOVER TUBE	G614-0095-W1
32	1	HOSE VALVE REGULATOR	G614-7400-W1
33	1	CONTROL PANEL	G614-0063-W1
34	1	LIGHT SWITCH	G520-0013-W1
35	1	HALOGEN LIGHT ASSEMBLY	G614-8200-W1
36	2	PIN, F/ DOOR	G411-0054-W1
37	5	BEZEL, F/ CONTROL KNOB	G614-0064-W1
38	1	BEZEL, F/ ROTISSERIE KNOB	G614-0065-W1
39	6	CONTROL KNOB	G614-4400-W1
40	1	CONTROL KNOB, F/ ROTISSERIE	G614-2300-W1
41	1	TOP LID	G614-1500-W1
42	1	HANDLE, F/ TOP LID	G614-0042-W1
43	1	INNER INSERT, F/ TOP LID	G614-0041-W1
44	2	RUBBER BUMPER, RECTANGULAR, F/ LID	G413-0025-W1
45	1	LOGO PLATE	G528-0002-W1
46	1	BEZEL, F/ TEMPERATURE GAUGE	G503-0002-W1

Key	Qty	Description	Part #
47	1	TEMPERATURE GAUGE	G518-0075-W1
48	1	HARDWARE F/ TOP LID ASSEMBLY	G508-0019-W1
49	1	ELECTRONIC IGNITION MODULE	G614-0070-W1
50	1	CAP, F/ ELECTRONIC IGNITION MODULE	G515-0030-W1
51	1	HEAT SHIELD, F/ ELECTRONIC IGNITION MODULE	G513-0040-W1
52	1	FRONT BRACE	G614-6300-W1
53	1	UPPER BACK PANEL, CART	G614-0081-W1
54	1	LEFT SIDE SHELF	G614-A800-W1
55	1	FASCIA, LEFT SHELF	G614-0085-W1
56	1	RIGHT SIDEBURNER SHELF	G614-A600-W1
57	1	FASCIA, F/ SB SHELF	G614-0074-W1
58	1	SIDEBURNER PAN	G614-A700-W1
59	2	RUBBER BUMPER, ROUND, F/ SB LID	G501-0066-W1
60	1	LID, F/ SIDE BURNER	G507-0011-W1
61	1	BEZEL, F/ SIDEBURNER KNOB	G614-0064-W2
62	1	SIDEBURNER	G614-A500-W1
63	1	ELECTRODE COVER, F/ SIDEBURNER	G614-0080-W1
64	1	ELECTRODE, F/ SIDEBURNER	G614-0092-W1
65	1	SIDEBURNER WINDSHIELD (HEATSHIELD)	G614-0073-W1
66	1	GREASE TRAY HEAT SHIELD	G614-A400-W1
67	1	TANK HEAT SHIELD	G614-0084-W1
68	1	LEFT DOOR, NO HANDLE	G614-2400-W1
69	2	DOOR HANDLE	G614-0088-W1
70	1	RIGHT DOOR, NO HANDLE	G614-3400-W1
71	5	HEAT DIFFUSER	G614-0045-W1
72	1	WARMING RACK	G508-0019-W1
73	5	COOKING GRATE, MAIN	G508-0019-W1
74	1	SIDEBURNER GRATE	G614-0090-W1
75	1	GREASE TRAY	G516-4600-W1
76	1	SIDEBURNER GREASE TRAY	G614-0075-W1
77	1	CYLINDER SCREW F/ TANK SECURE	G505-0047-W1

### NOT Picture:

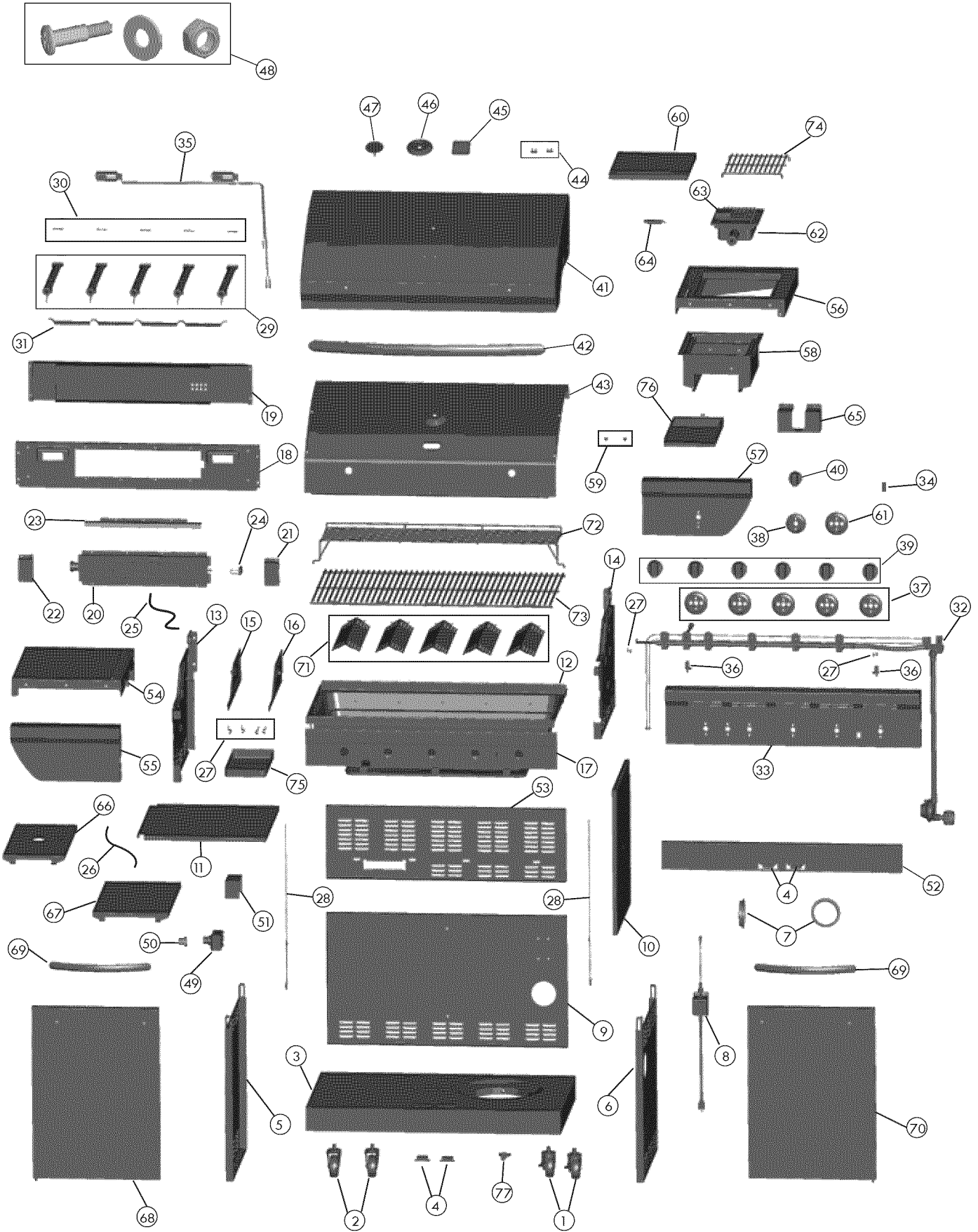
Key	Qty	Description	Part #
...	1	CASTER PIN	G350-0026-W1
...	1	HARDWARE PACK	G614-B003-W1
...	1	ASSEMBLY MANUAL, ENGLISH	G614-030801-W1
...	1	ASSEMBLY MANUAL, SPANISH	G614-030802-W1

If you are missing hardware or have damaged parts after unpacking grill, call 1-800-241-7548 for replacement.

To order replacement parts after using grill, call 1-800-4-MY-HOME®

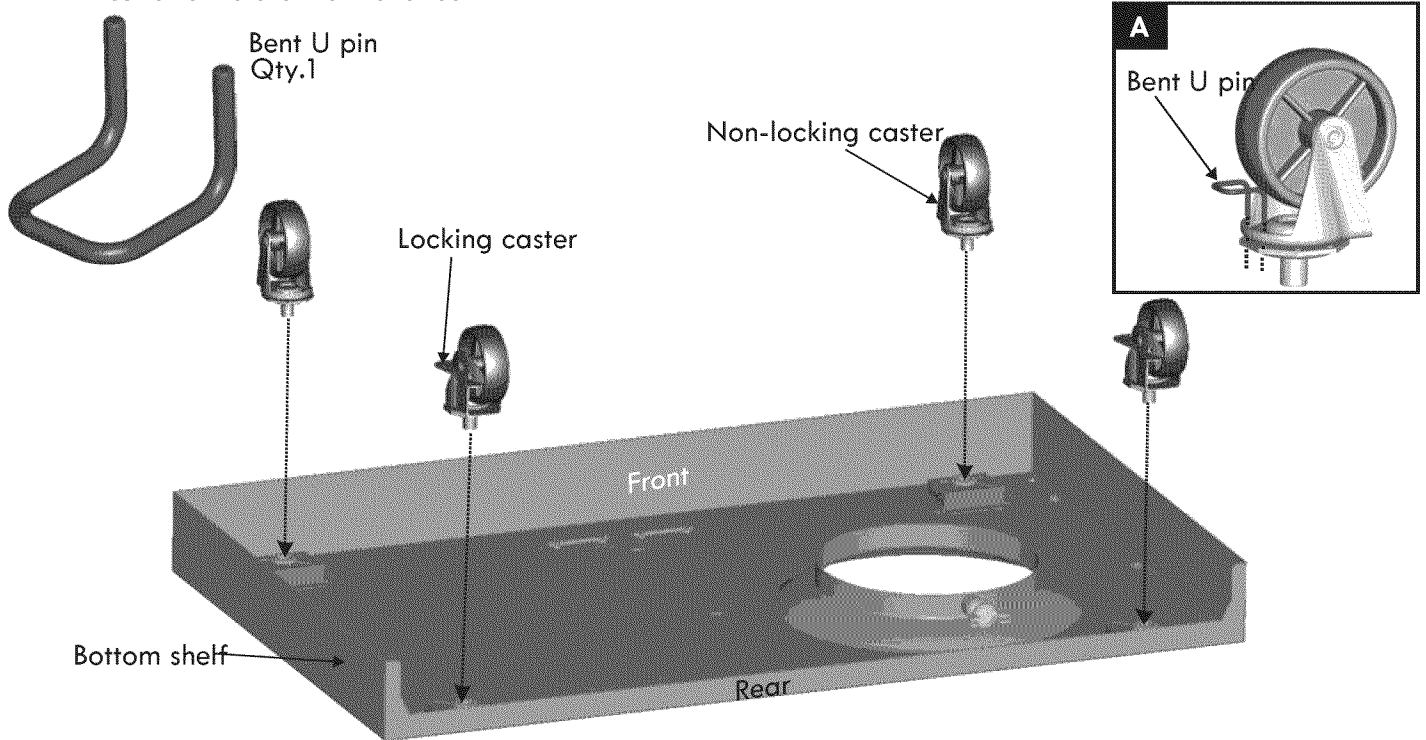
**NOTE:** Some grill parts shown in the assembly steps may differ slightly in appearance from those on your particular grill model. However, the method of assembly remains the same.

# PARTS DIAGRAM



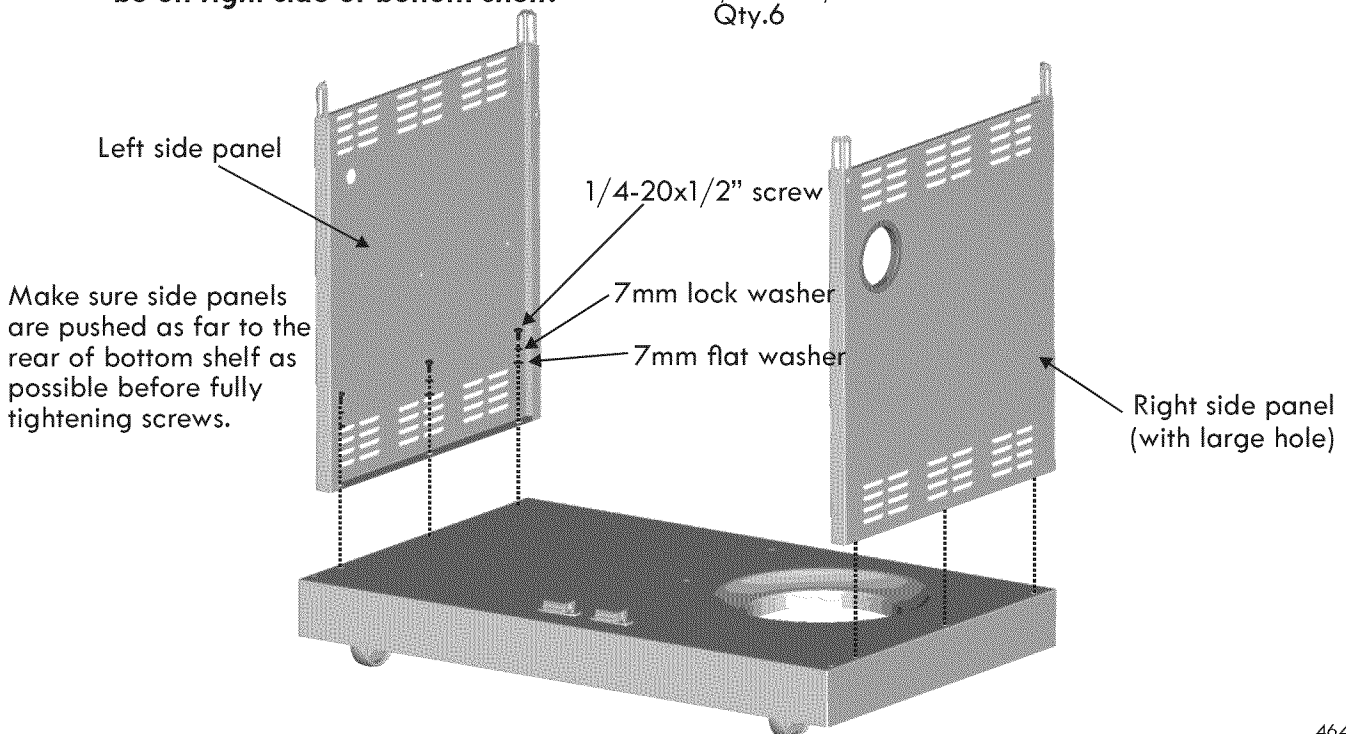
## ASSEMBLY

- 1 Place bottom shelf upside down. Insert Bent U Pin into the caster mounting plate to lock it in place, shown A. Spin the caster clockwise into the threads on the bottom shelf until secure. Remove the Bent U Pin and repeat for remaining casters. Make sure the two locking casters are secured at the rear and the non-locking casters are secured at the front. After all 4 casters are secure remove the Bent U Pin and save for future maintenance.





- 2 Attach side panels to bottom shelf using three 1/4-20x1/2" screws, 7mm lock washers and 7mm flat washers per panel.


**IMPORTANT: Panel with large hole must be on right side of bottom shelf.**



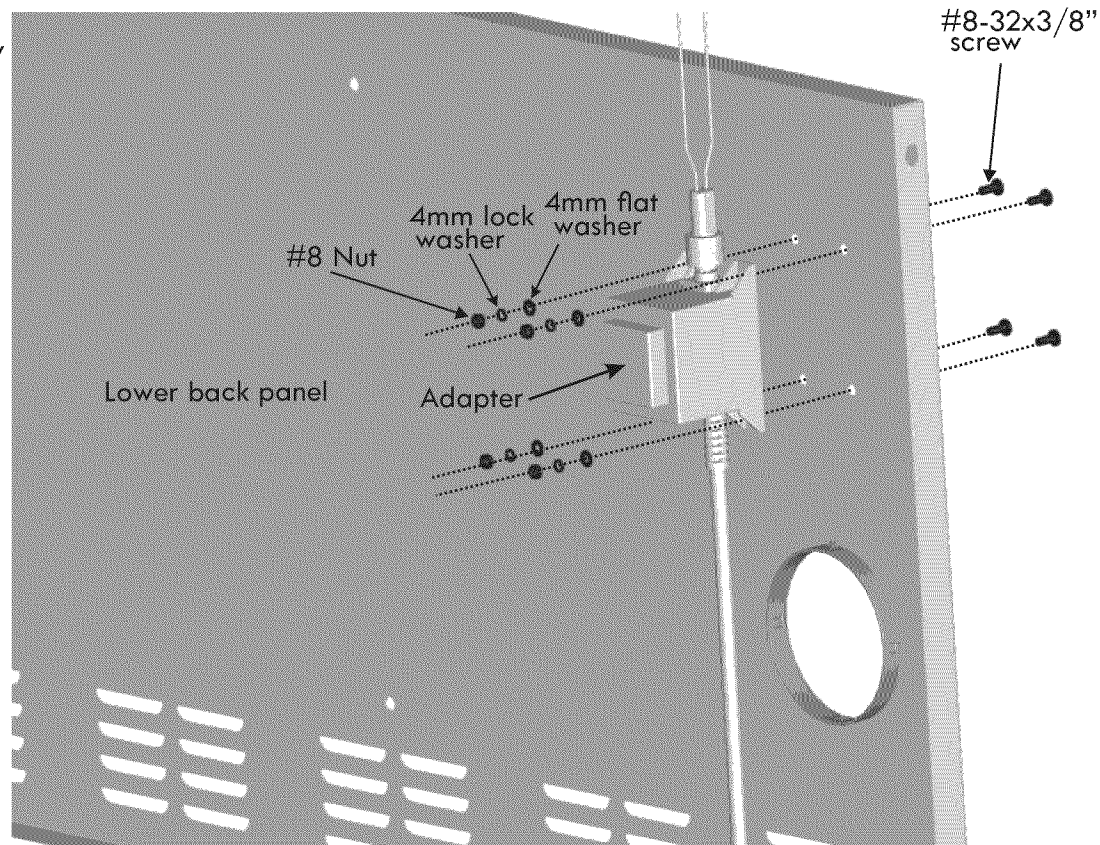
**3** Attach light adapter to lower back panel using four #8-32x3/8" screws, 4mm flat washers, 4mm lock washers and #8 nuts.

 #8-32x3/8" screw  
Qty.4


 4mm lock washer  
Qty.4

 4mm flat washer  
Qty.4

 #8 Nut  
Qty.4

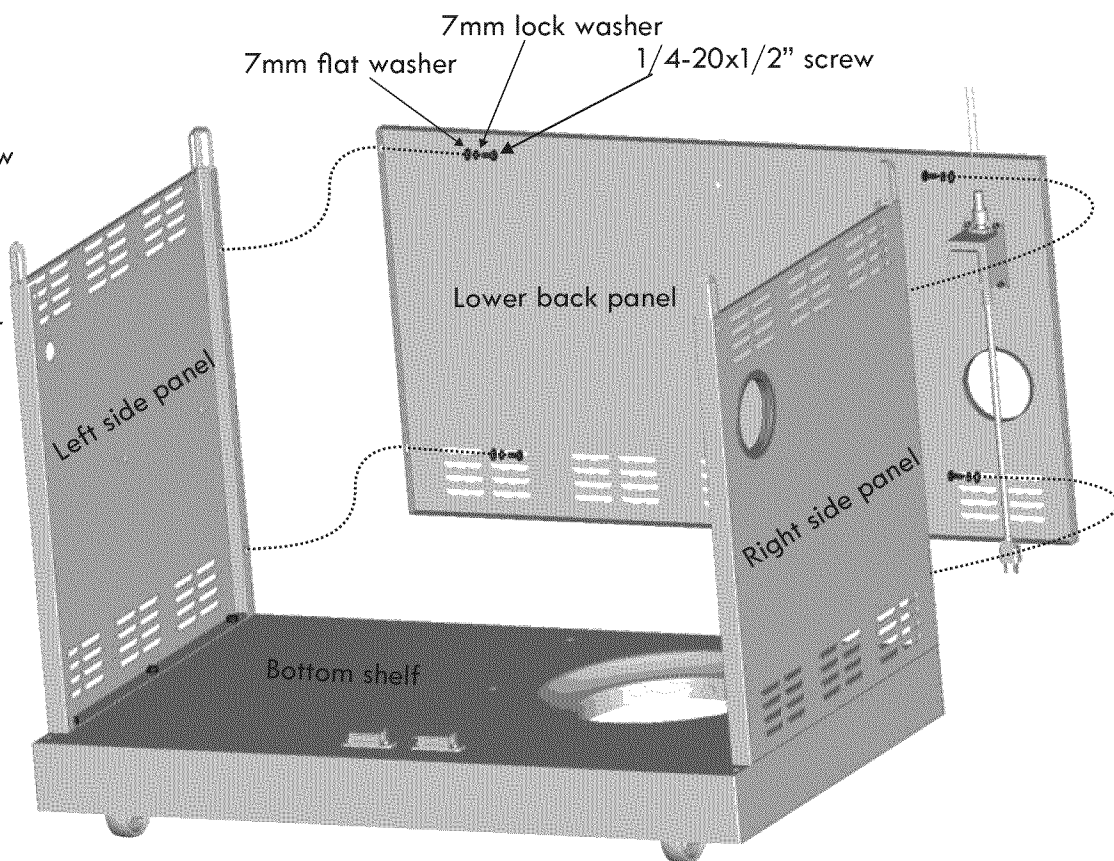


**4** Place lower back panel between side panels at rear of bottom shelf. Secure lower back panel to side panels using two 1/4-20x1/2" screws 7mm lock washers and 7mm flat washers each side.

 1/4-20x1/2" screw  
Qty.4

 7mm lock washer  
Qty.4


 7mm flat washer  
Qty.4






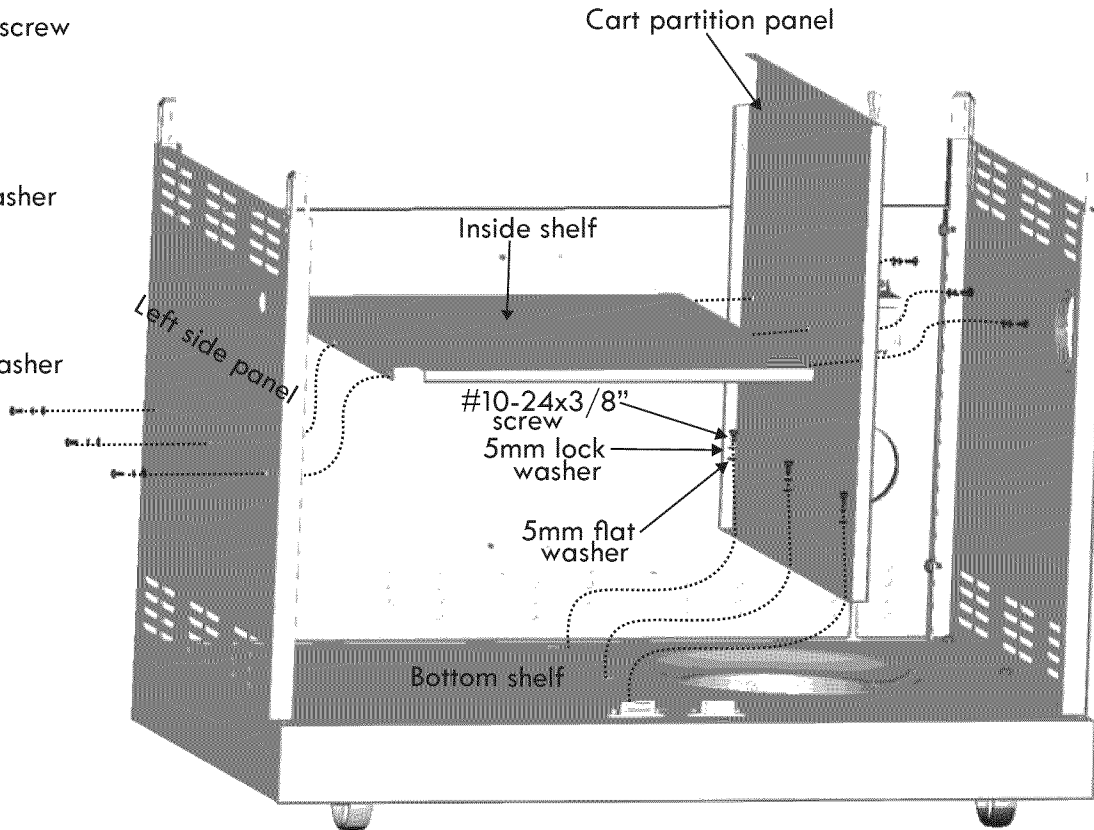
**5**

Attach cart partition panel to bottom shelf using three #10-24x3/8" screws, 5mm lock washers and 5mm flat washers; attach inside shelf to cart partition panel using three #10-24x3/8" screws, 5mm lock washers and 5mm flat washers; attach inside shelf to cart left side panel using three #10-24x3/8" screws, 5mm lock washers and 5mm flat washers.

  
#10-24x3/8" screw  
Qty.9


  
5mm lock washer  
Qty.9


  
5mm flat washer  
Qty.9



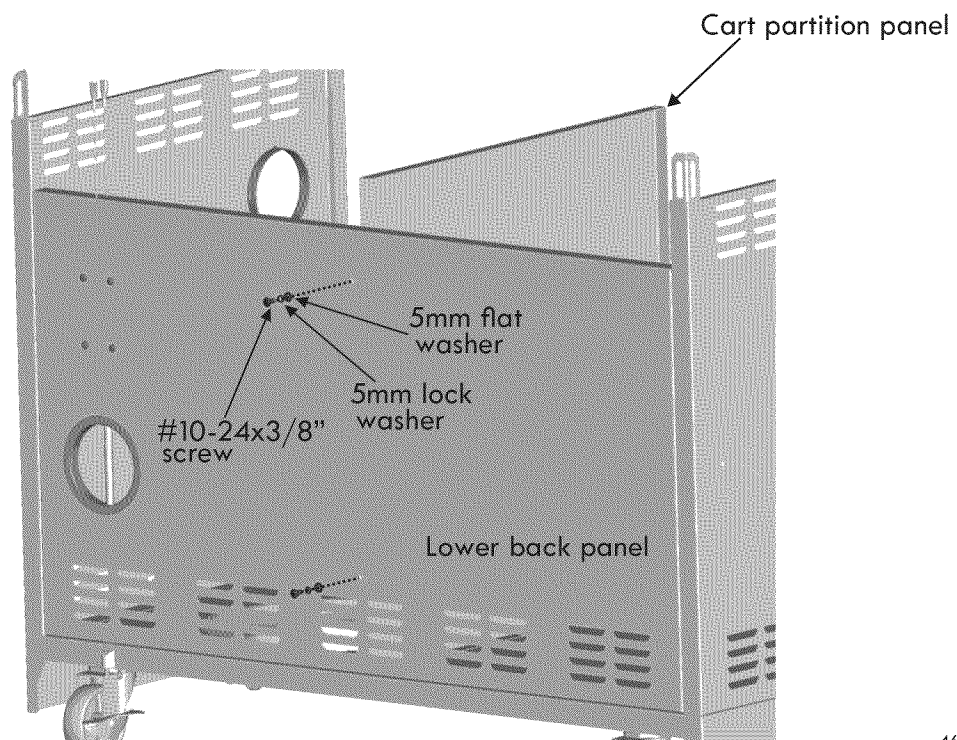
**6**

Attach cart partition panel to lower back panel using two #10-24x3/8" screws, 5mm lock washers and 5mm flat washers.

  
#10-24x3/8" screw  
Qty.2

  
5mm lock washer  
Qty.2

  
5mm flat washer  
Qty.2

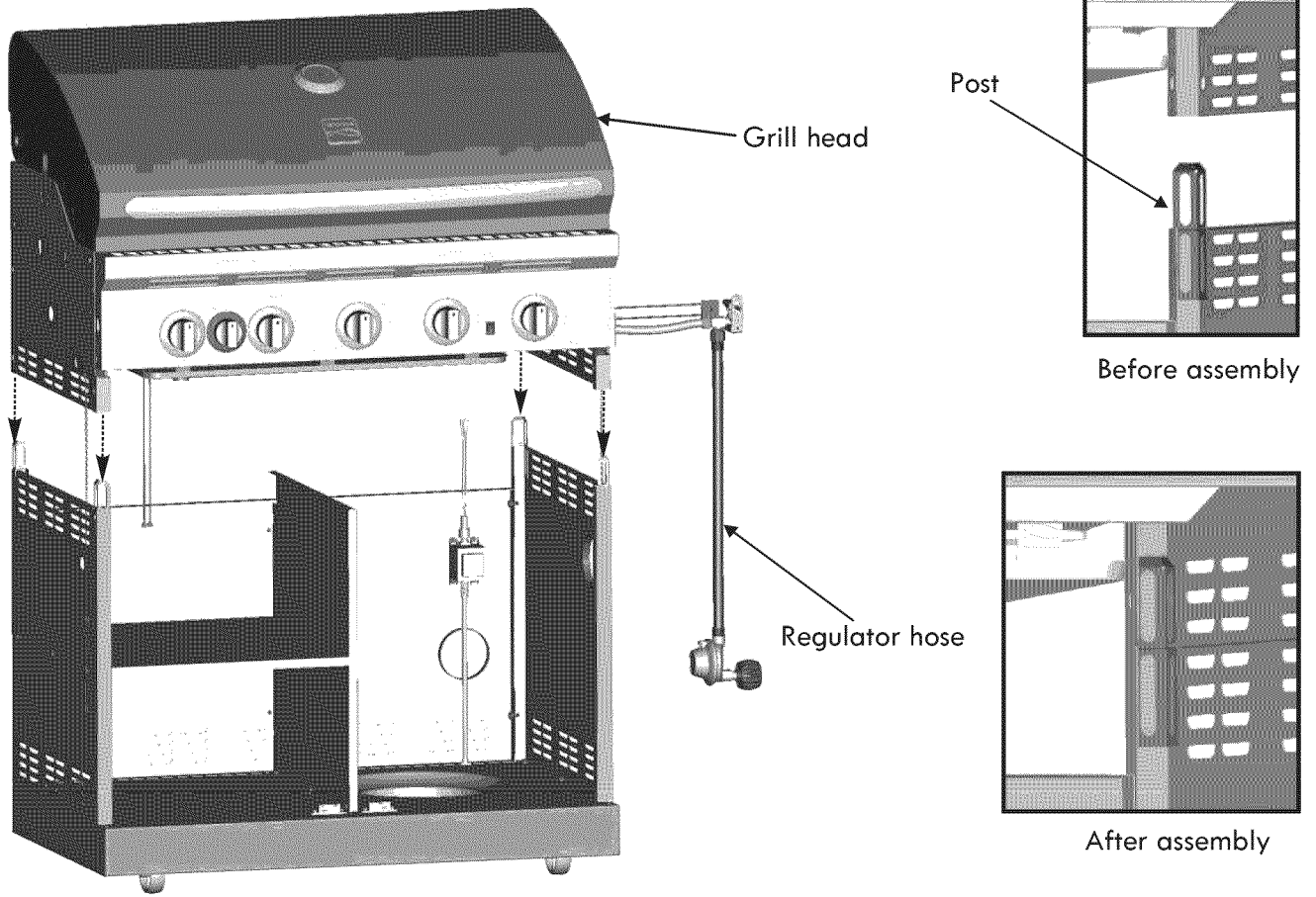


**7**

This step requires two people to lift and position grill head onto cart.

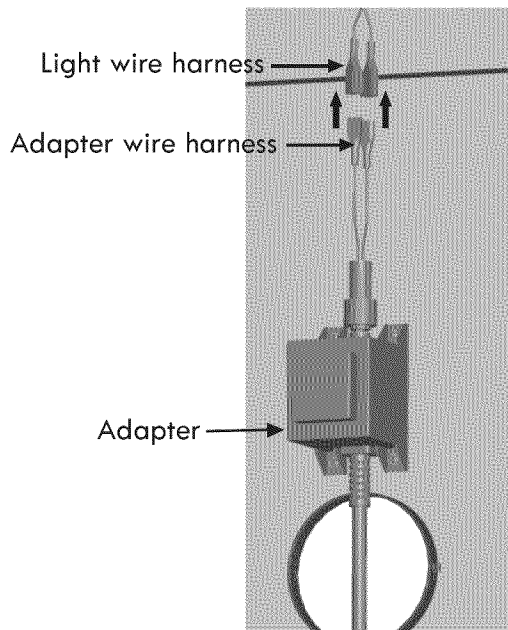
Carefully lower the grill head onto the cart, aligning slots at bottom of grill head with posts on cart side panels.

Make sure the regulator hose is hanging outside the cart. Grill head must face open side of cart.



**8**

Inside of cart, connect adapter wire harness and light wire harness.



**9**

Remove the cap and nut from electronic ignition module. Attach electronic ignition module and heat shield to cart left side panel with the nut, shown A.

Insert AA battery into ignition module, negative (-) end first. Then put on the cap, shown B.

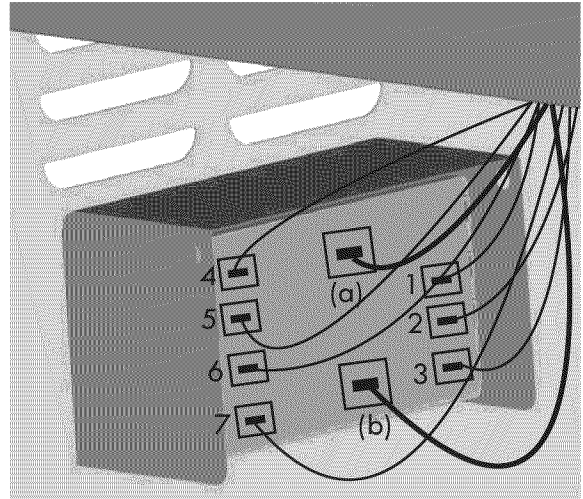
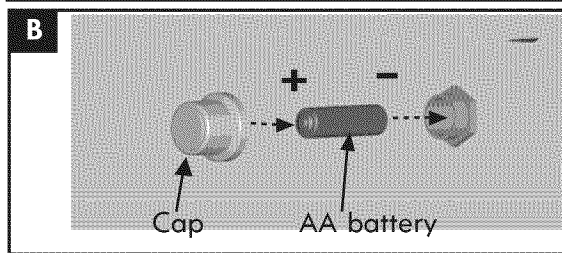
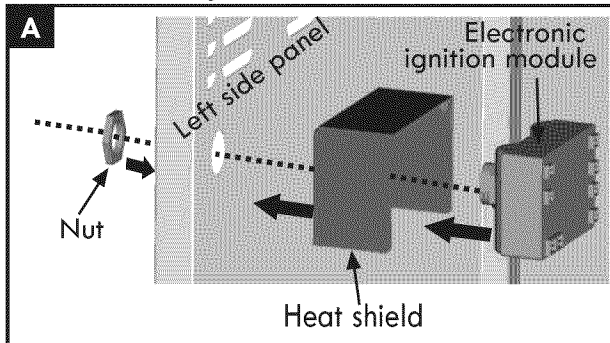
Untie the 7 burner ignition wires bundled under the right side of grill head. Draw the wires over the cart partition panel.

Connect each of the ignition wires from the main burner electrodes and sideburner electrode into the back of the Electronic Ignition Module. Total (7) connections.

Untie the two wires [(a) and (b)] from under the left side of grill head. Connect the two wires [(a) and (b)] from the switch wiring harness into the back of the Electronic Ignition Module. Total (2) connections.

**NOTE: Switch terminals are larger than electrode terminals and should only be installed in locations shown as (a),(b).**

Use one of the bundling ties to bundle the 9 wires together, and tie to the gas line hose so that the wires don't hang down into the cabinet.

**10**

Insert front brace under control panel and between cart side panels. Secure using two 1/4-20x1 3/4" screws, 7mm lock washers and 7mm flat washers on each side, shown A.

Under front brace, secure cart partition panel to front brace using one #8-3/8" tapping screw, shown B.



7mm Lock washer  
Qty.4



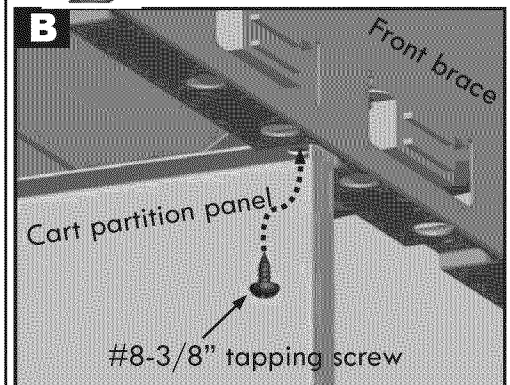
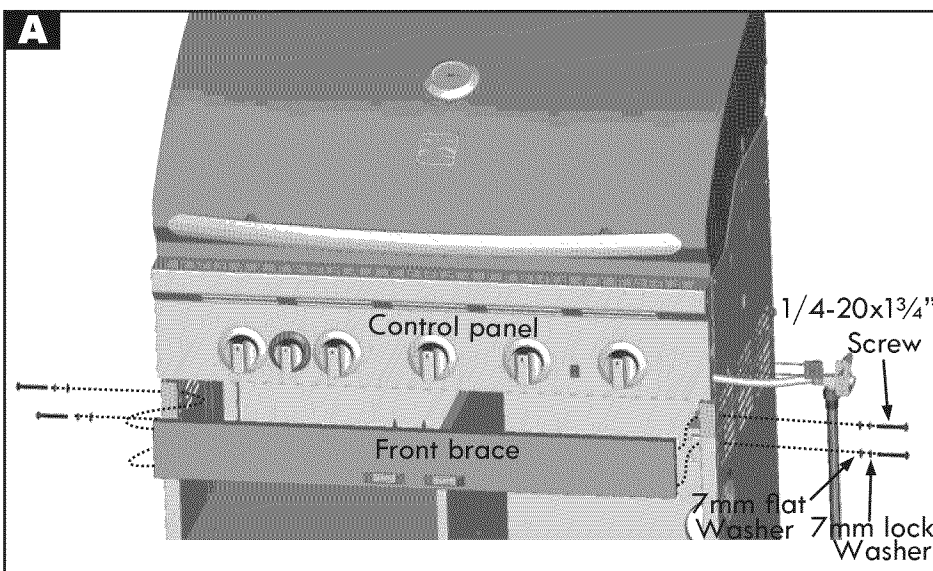
7mm flat washer  
Qty.4



#8-3/8" tapping screw  
Qty.1

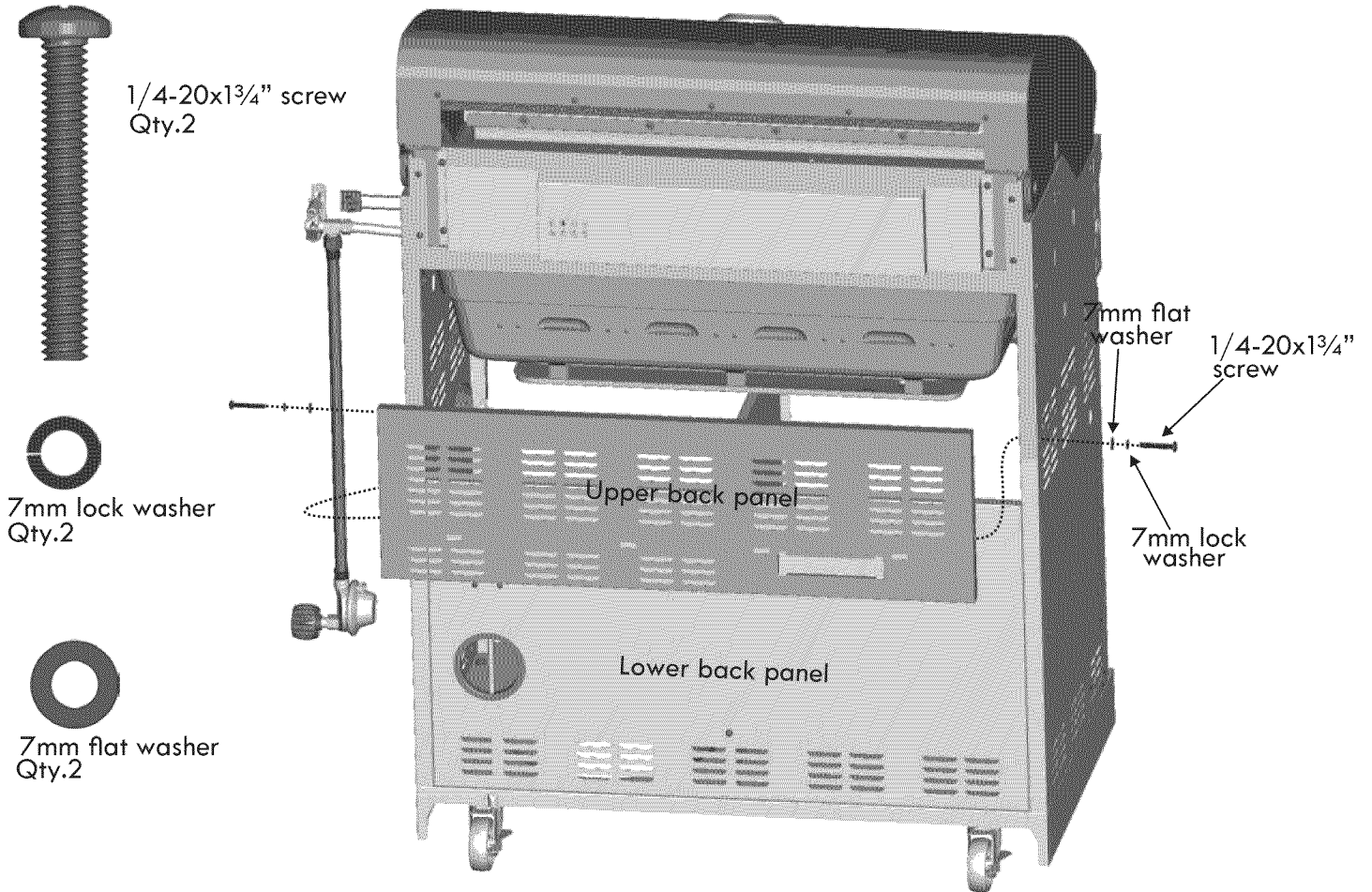


1/4-20x1 3/4" screw  
Qty.4

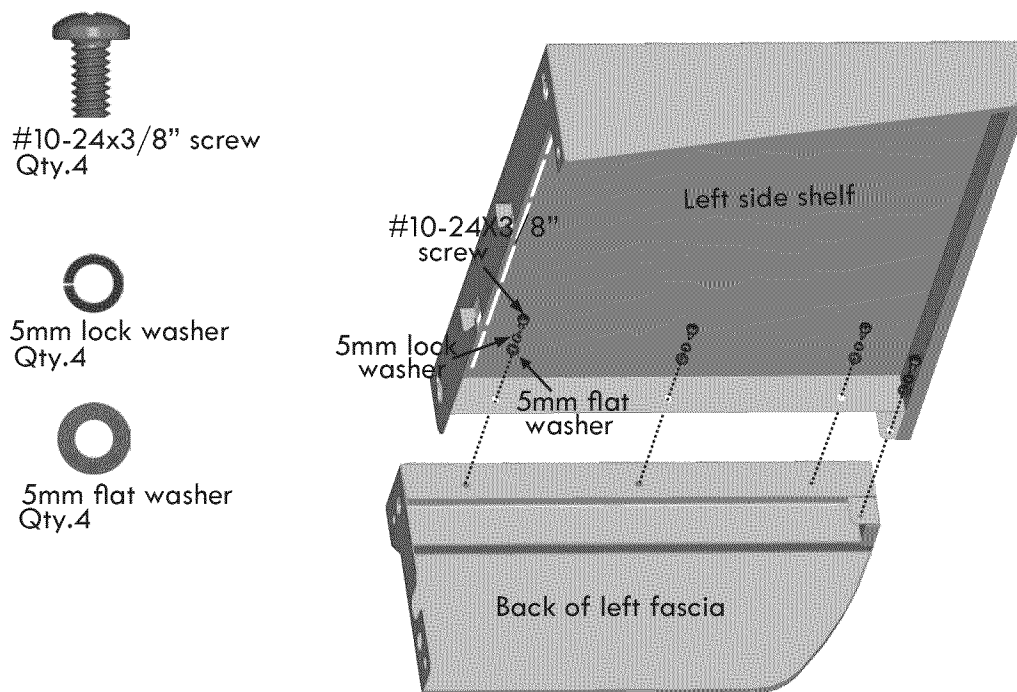


**11**

On back of grill, place cart upper back panel between side panels and above cart lower back panel. Secure cart upper back panel in lower holes, using one 1/4-20x1 3/4" screw, 7mm lock washer and 7mm flat washer on each side.

**12**

Attach left side shelf to the back of left side fascia using four #10-24x3/8" screws, 5mm lock washers and 5mm flat washers.

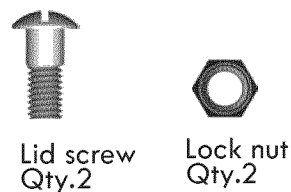
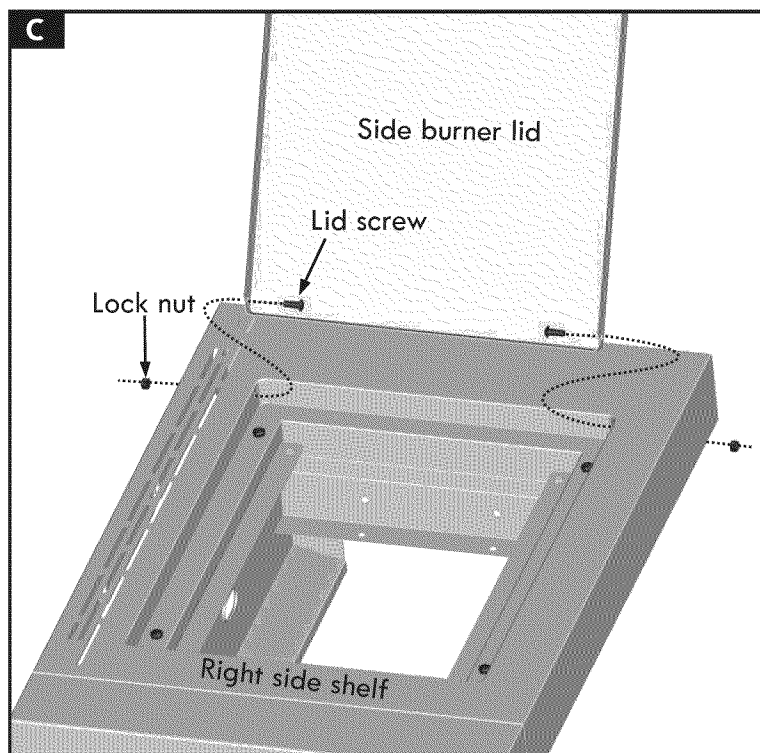
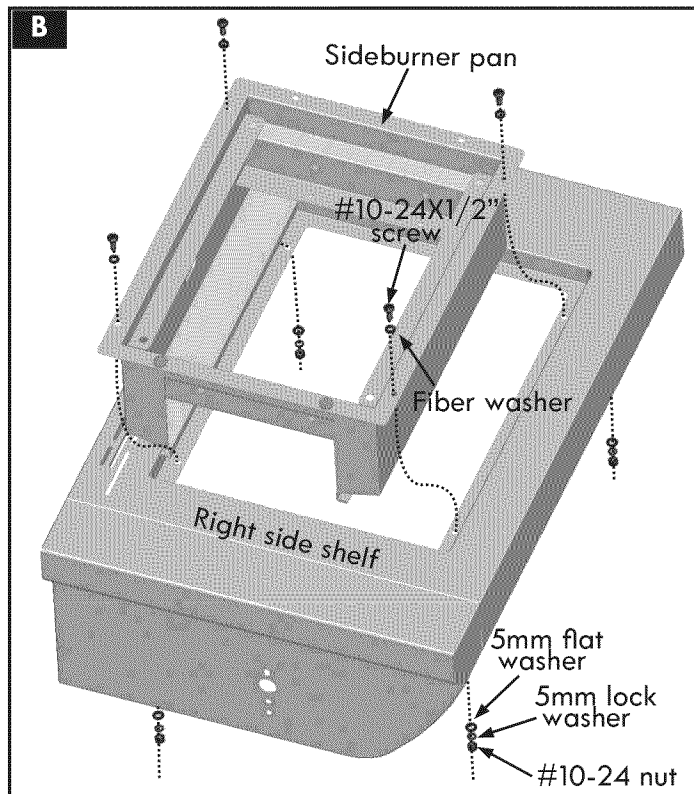
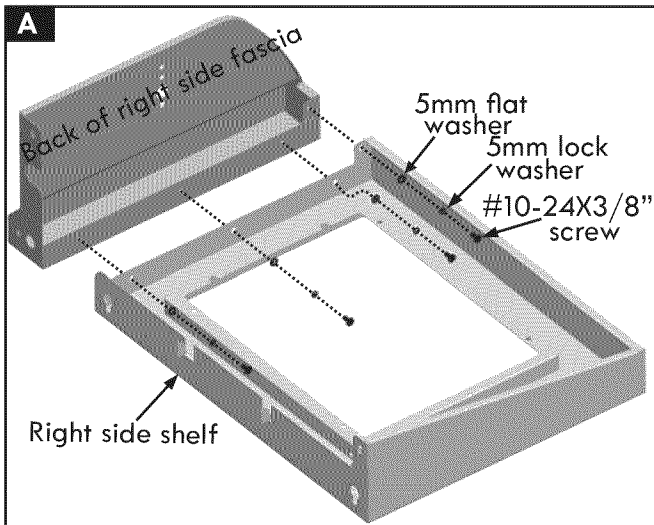
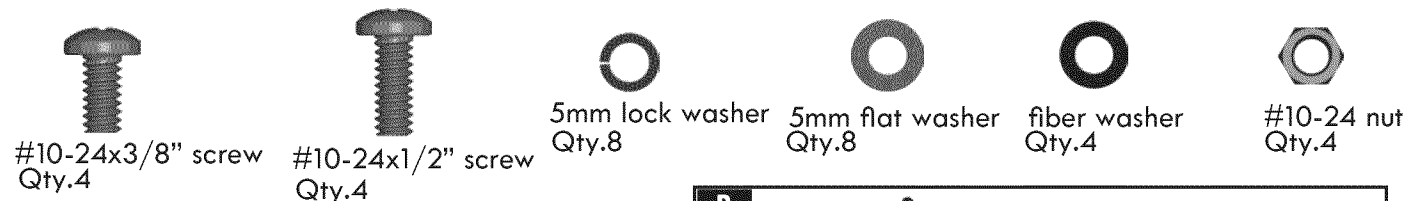


# 13

Attach right side shelf to the back of right side fascia using four #10-24x3/8" screws, 5mm lock washers and 5mm flat washers, shown A.

Attach sideburner pan to right side shelf using four #10-24x1/2" screws, fiber washers, 5mm flat washers, 5mm lock washers and #10-24 nuts, shown B.

Attach side burner lid to right side shelf using two lid screws and lock nuts, shown C.



# 14

Attach two 1/4-20x5/8" screws, 7mm lock washers and 7mm flat washers on right side of fire box, shown A. Only tighten one-fourth of screw length, so that mounting panel of shelf can slide between fire box and washers in next step. Do not fully tighten the screws.

Insert the keyhole slots on mounting panel of burner shelf over the two screws and washers. Make sure the tabs on shelf mounting panel insert into cut-outs on fire box, shown B. Fully tighten the two screws.



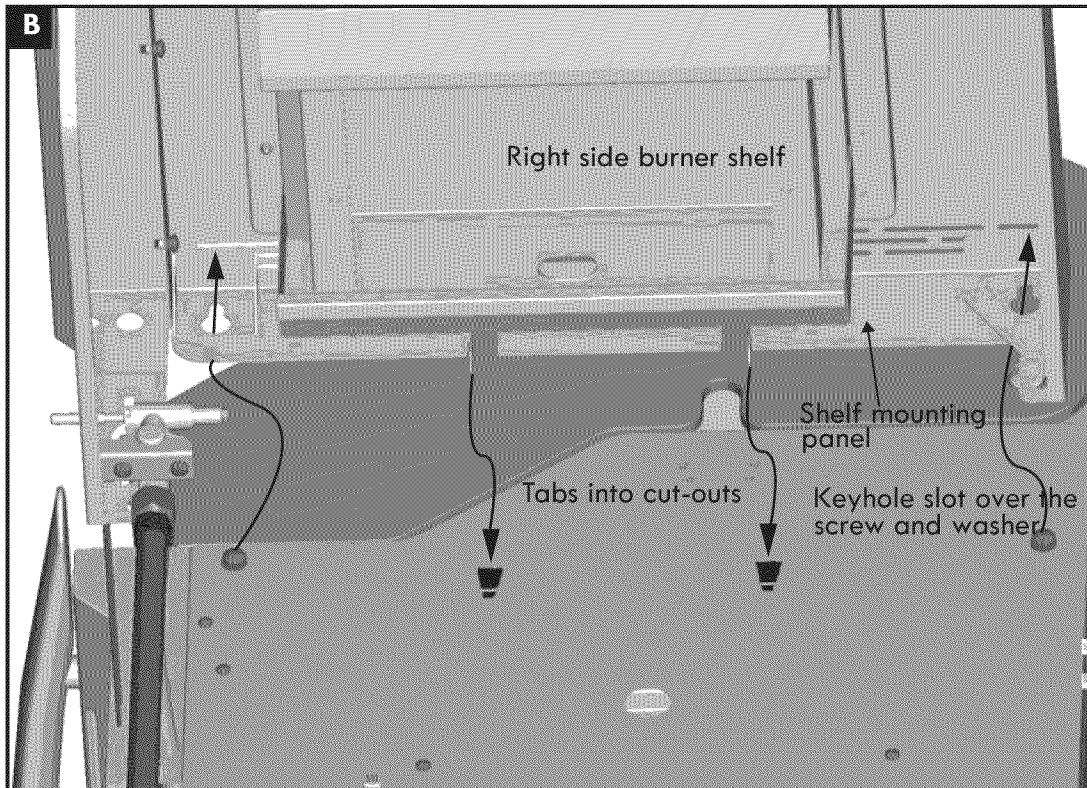
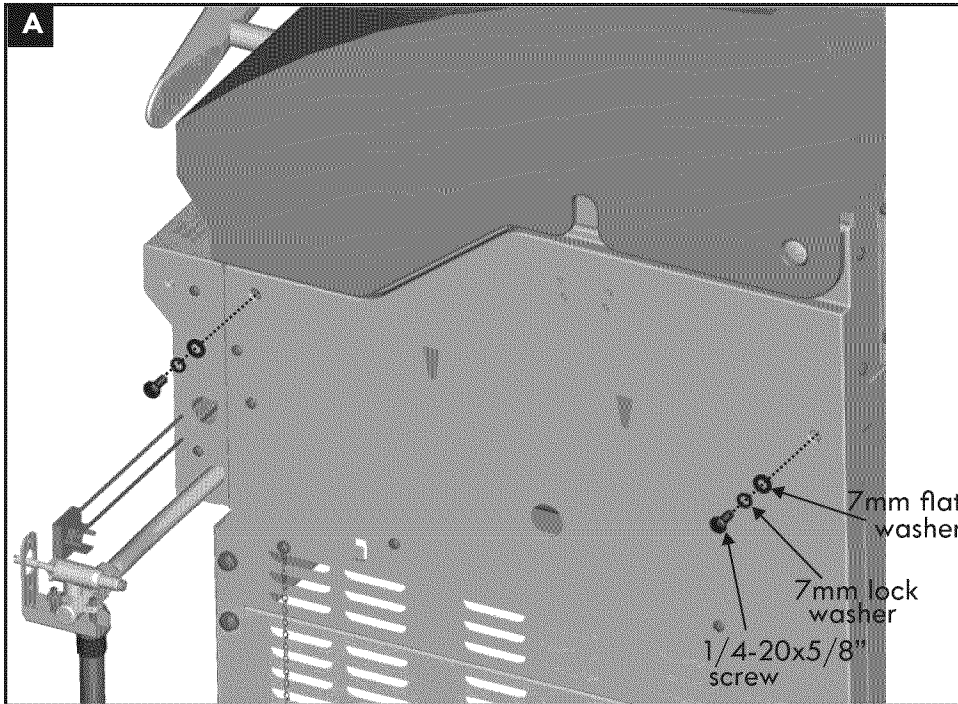
1/4-20x5/8" Screw  
Qty.2



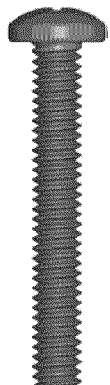
7mm lock washer  
Qty.2



7mm Flat washer  
Qty.2



- 15** Secure right side shelf front using two 1/4-20x5/8" screws, 7mm lock washers and 7mm flat washers. Secure top screw first.  
Secure right side shelf rear using one 1/4-20x1 3/4" screw, 7mm lock washer and 7mm flat washer.  
Only Right side burner shelf assembly shown; repeat step 14 and 15 for Left side shelf.



1/4-20x1 3/4" screw  
Qty.1



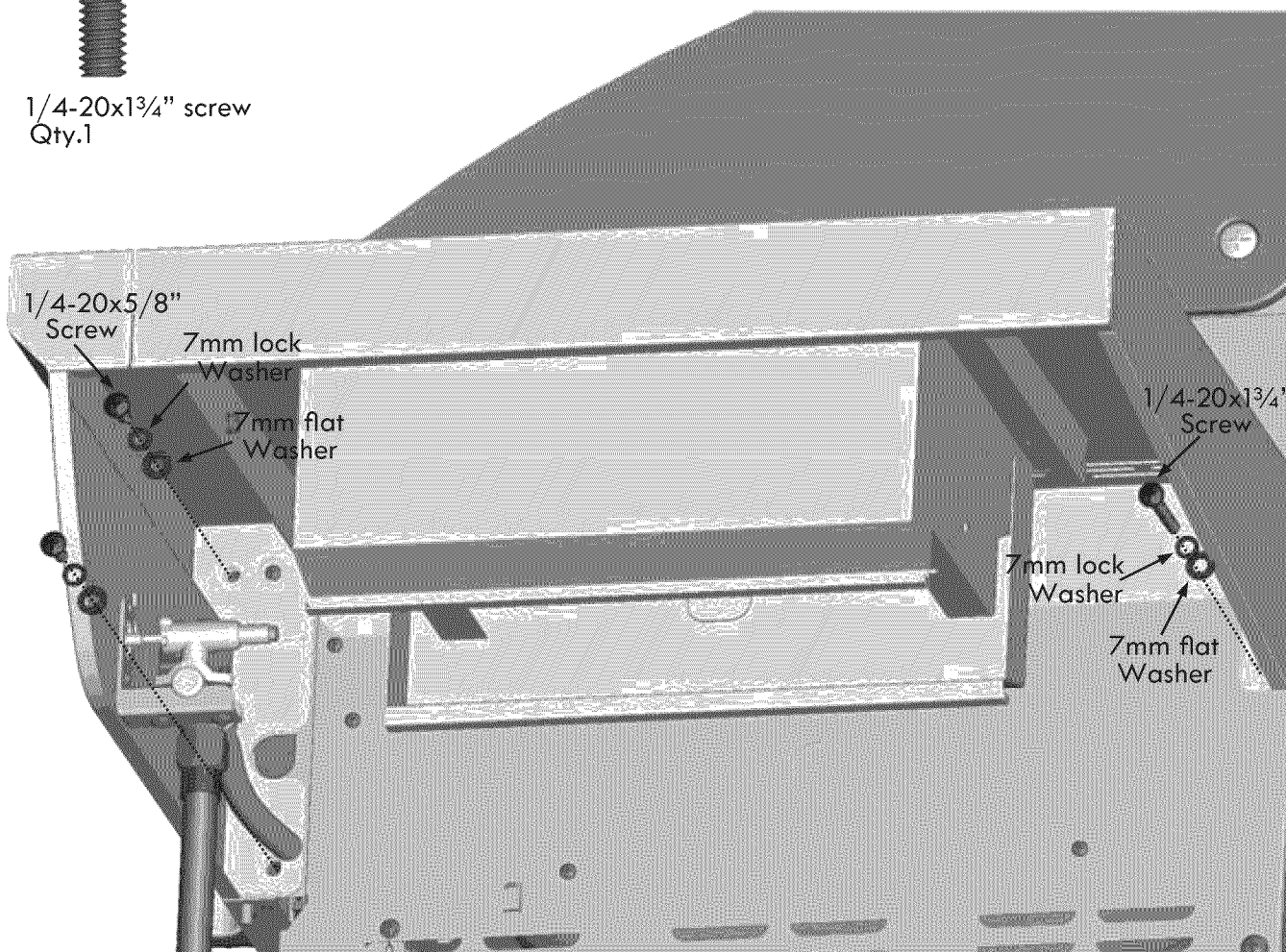
1/4-20x5/8" screw  
Qty.2



7mm lock washer  
Qty.3



7mm flat washer  
Qty.3



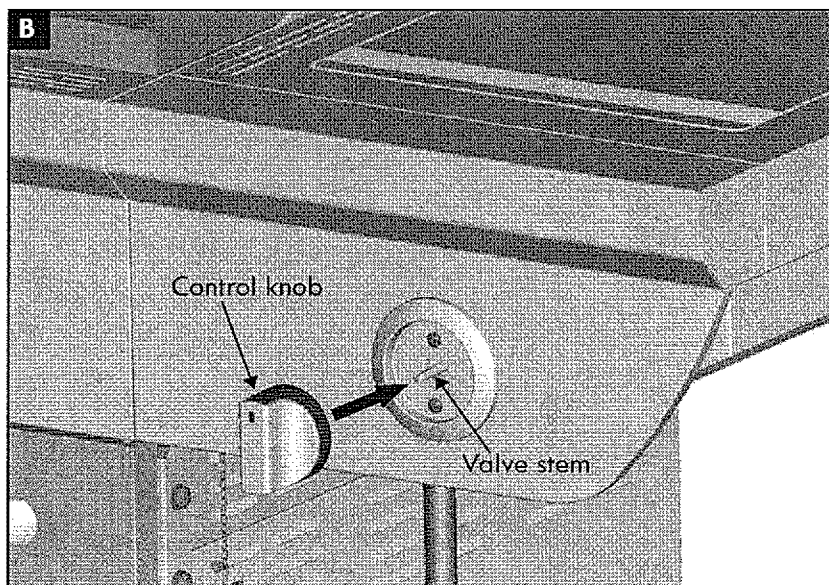
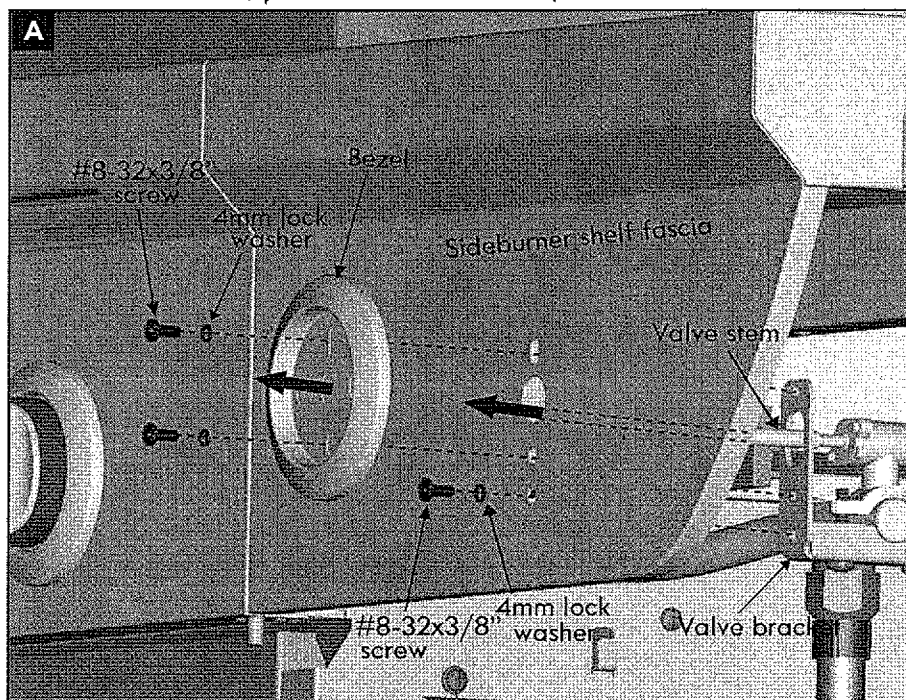
**16** Remove the three #8-32x3/8" screws and 4mm lock washers (pre-assembled to the valve bracket) from the sideburner valve bracket. Position sideburner valve bracket beneath sideburner shelf fascia so that valve stem comes through larger center hole in fascia. Align the lower hole on valve bracket with the lower hole on fascia. Secure using one #8-32x3/8" screw and 4mm lock washer, removed previously. Place sideburner bezel over valve stem on front side of fascia. Align small holes on bezel and holes on fascia with holes on valve bracket, making sure "OFF" is on the top of bezel. Secure using the remaining two #8-32x3/8" screws and 4mm lock washers, shown A. Press sideburner control knob onto valve stem, shown B.



#8-32x3/8" screw  
Qty.3

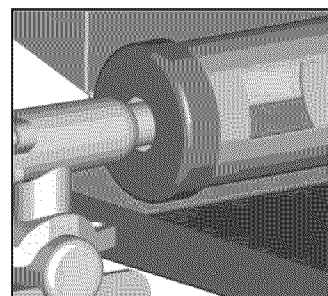
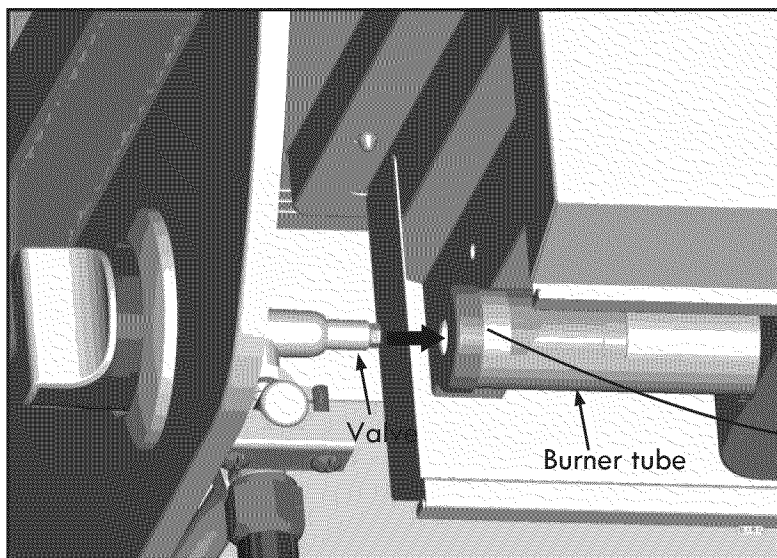
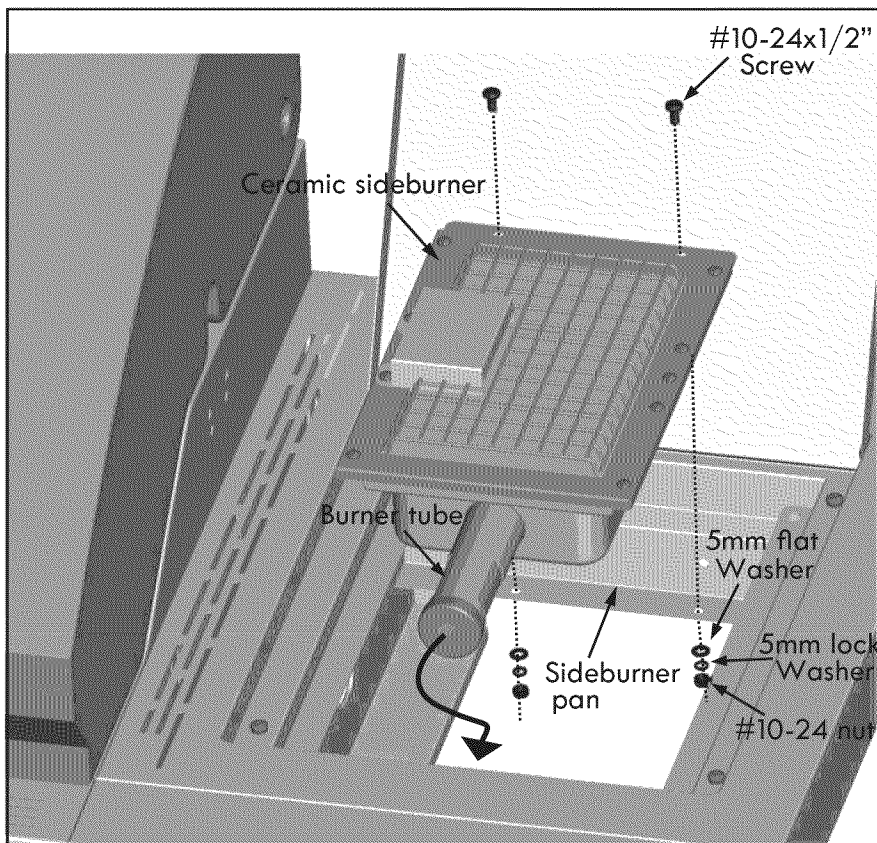
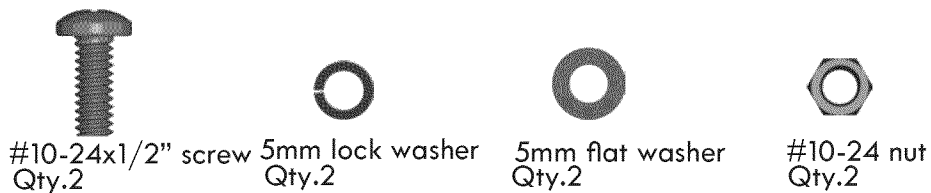


4mm lock washer  
Qty.3





**17** Install ceramic sideburner into right side shelf. Insert sideburner valve into sideburner tube. Secure ceramic sideburner rear to side burner pan using two #10-24x1/2" screws, 5mm flat washers, 5mm lock washers and #10-24 nuts. Make sure that burner tube and sideburner valve are securely engaged. See inset below.



**18**

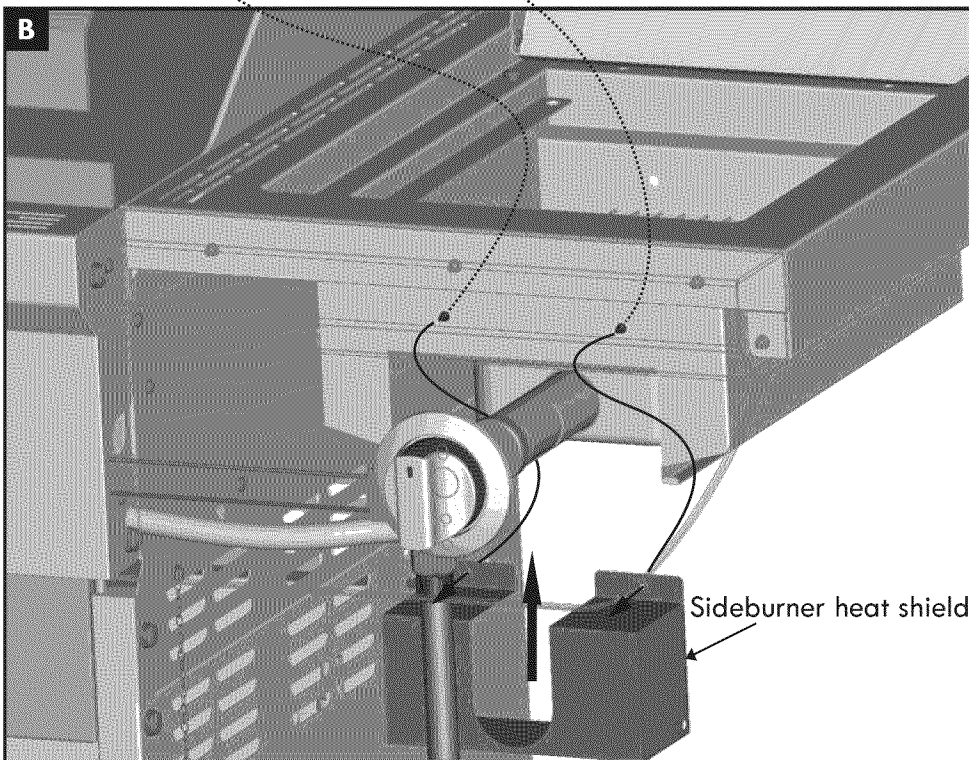
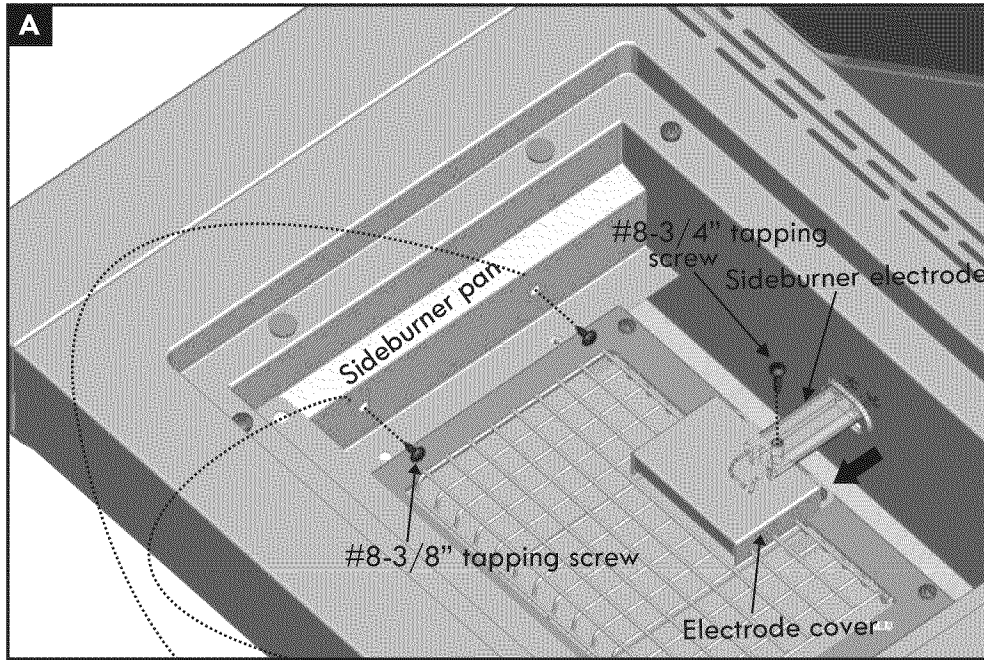
Pull sideburner electrode and wires through the small opening on left side of sideburner pan. Make sure to position electrode end under electrode cover. Secure electrode using one #8-3/4" tapping screw, shown A. Do not overtighten screw to avoid cracking ceramic electrode. Attach sideburner heat shield to sideburner pan using two #8-3/8" tapping screws, shown A/B.



#8-3/4" tapping screw  
Qty.1



#8-3/8" tapping screw  
Qty.2



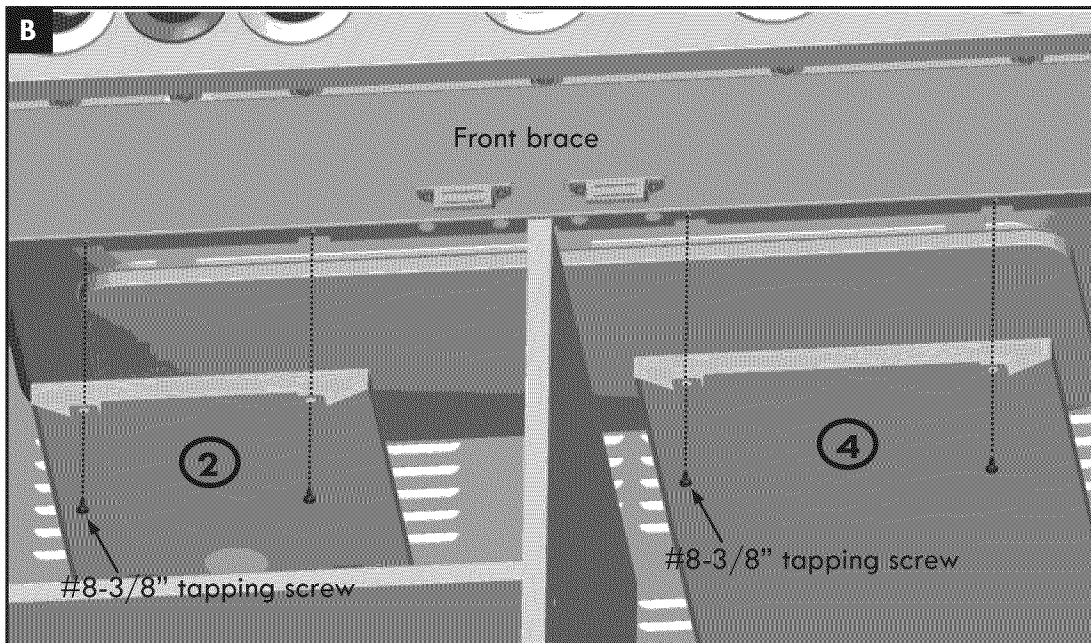
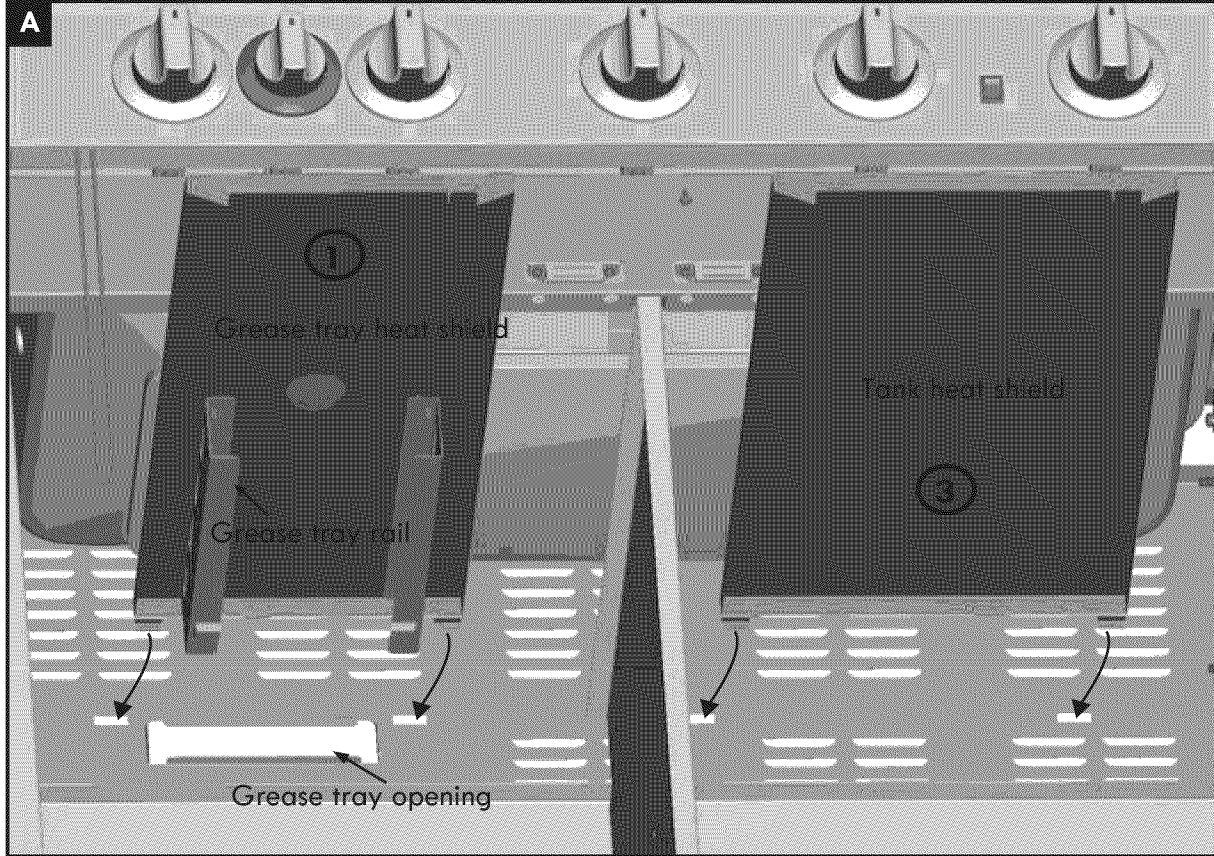
# 19

Inside of cart, install grease tray heat shield (w/grease tray rails) by inserting rear shield tabs into slots next to grease tray opening, shown A-①. Attach grease tray heat shield front to front brace using two #8-3/8" tapping screws, shown B-②.

Install tank heat shield by inserting rear shield tabs into slots, shown A-③. Attach tank heat shield front to front brace using two #8-3/8" tapping screws, shown B-④.

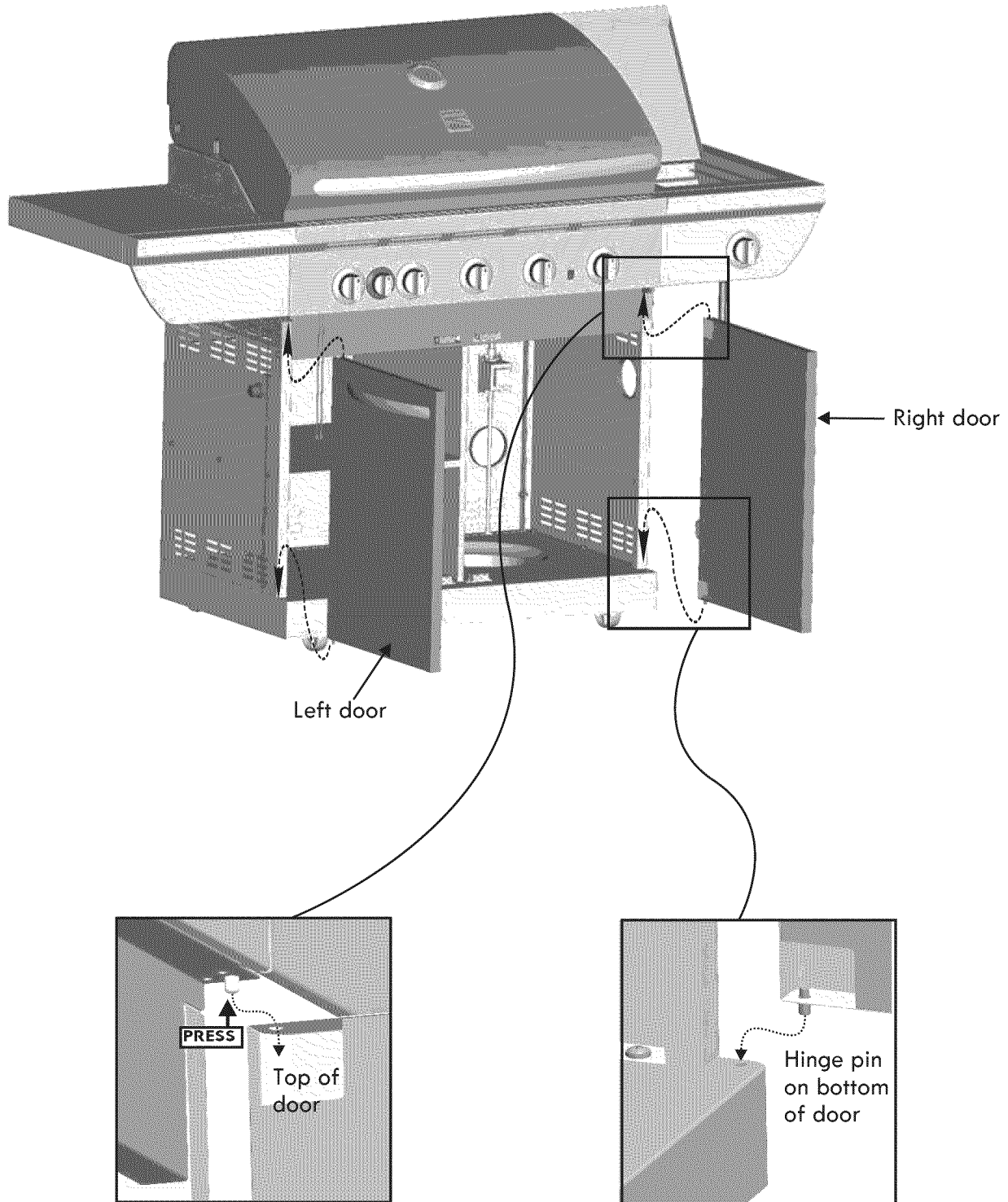


#8-3/8" tapping screw  
Qty.4

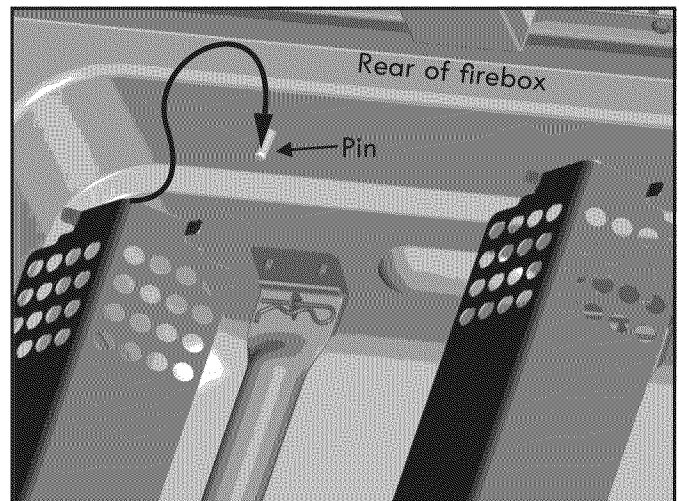
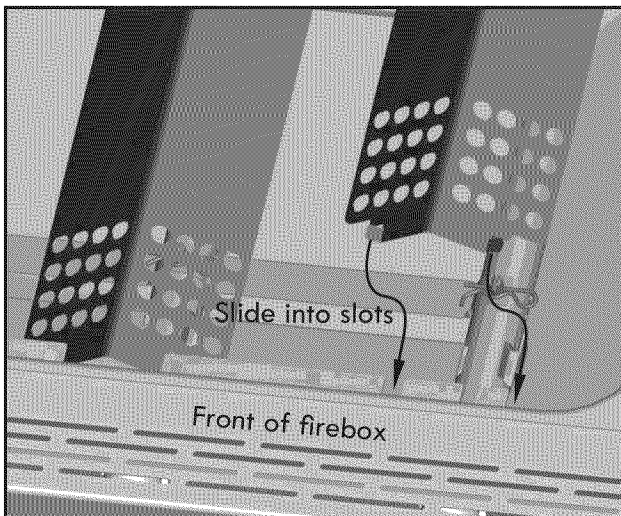
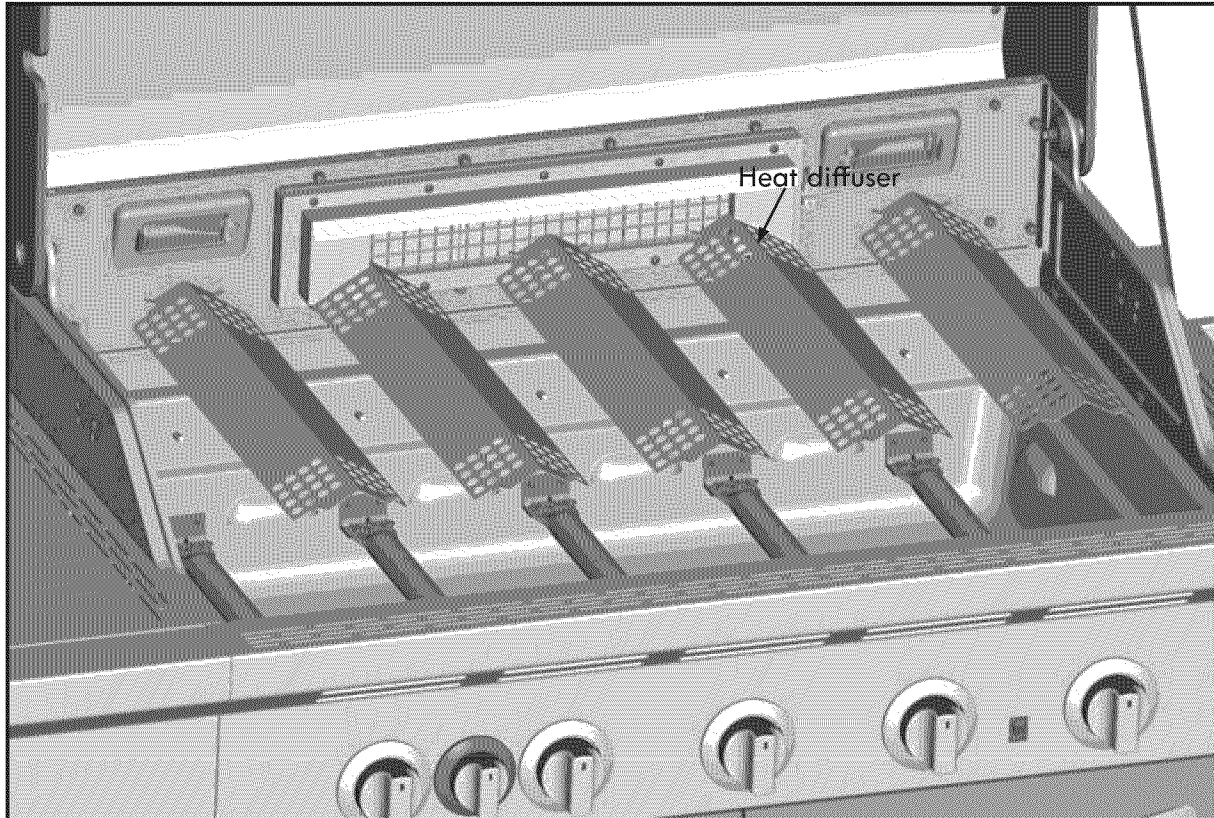


**20**

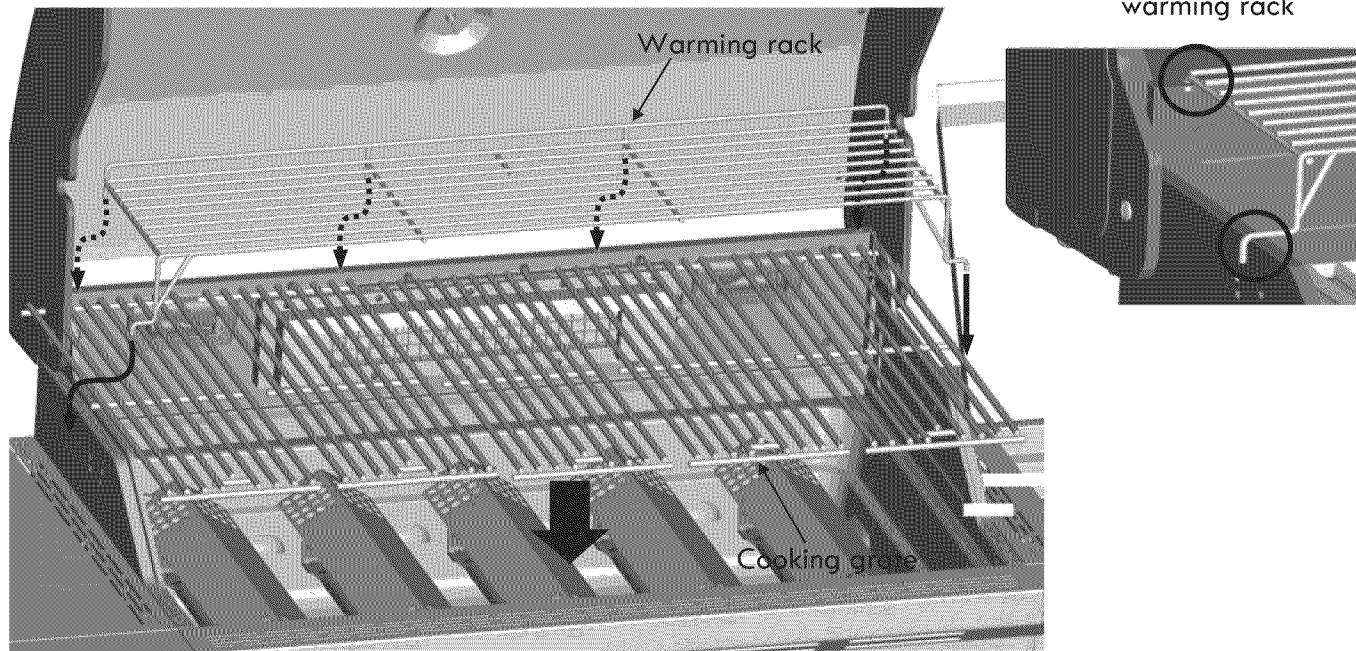
Insert hinge pin on bottom of doors into hole in bottom shelf. Press upper hinge pin in front brace, align hinge hole on top of door and release hinge pin into door.



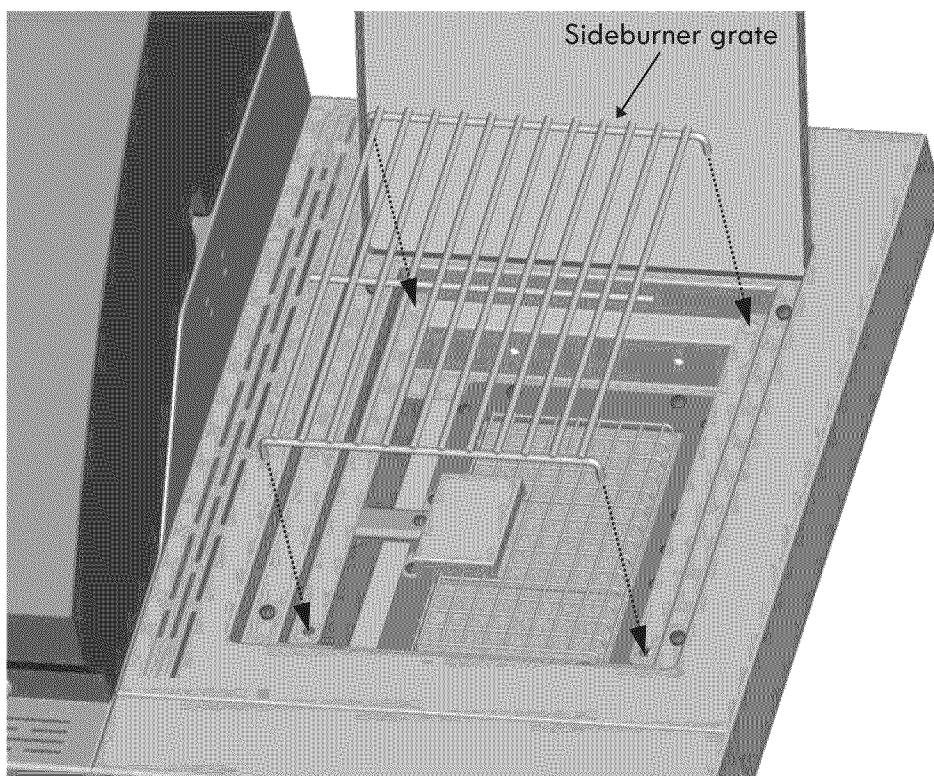
**21** Install heat diffusers by sliding one end of each heat diffuser into slots at front of firebox and resting opposite end on pins at rear of firebox.



**22** Place cooking grates onto firebox as shown. Insert the four wire ends at rear of warming rack into holes in back of firebox. Front wires of warming rack rest on sides of firebox.

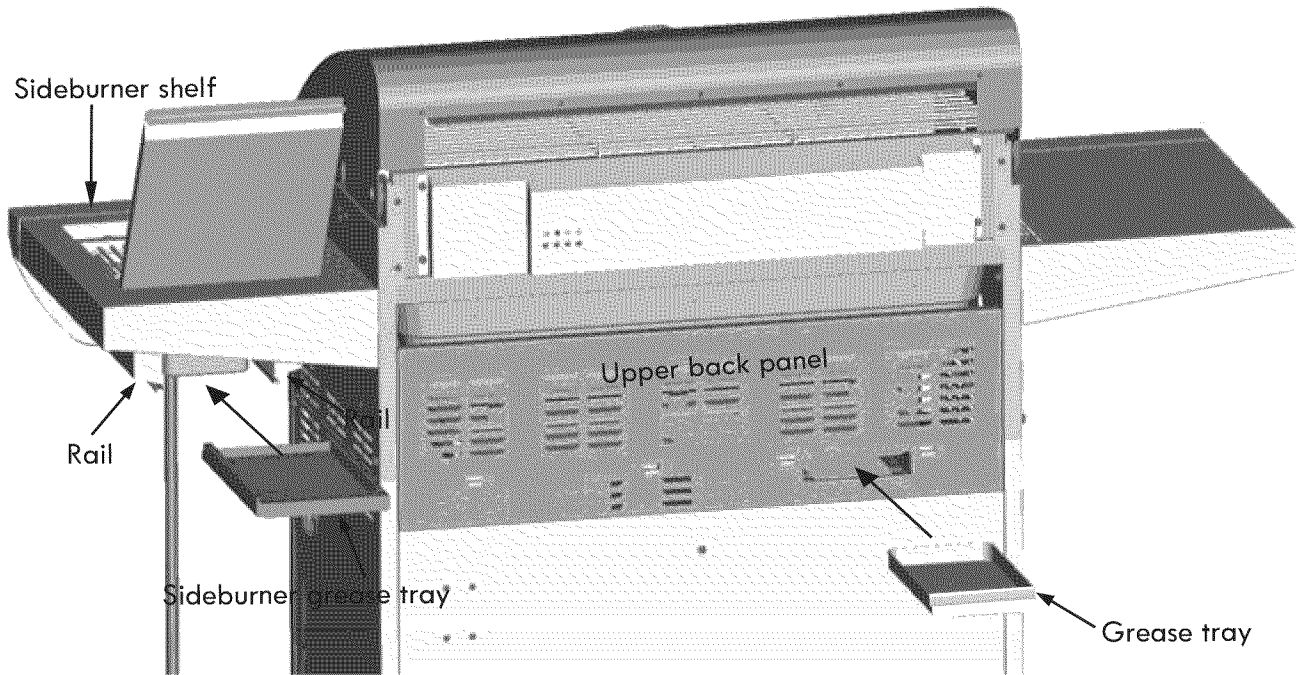




**23** Place sideburner grate onto sideburner shelf. Align grate legs with holes in shelf.



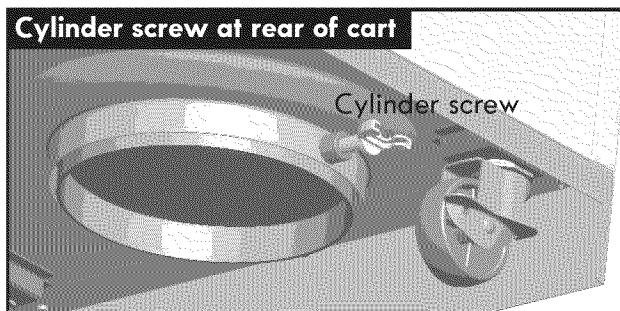
**24**

On back of grill, slide grease tray into opening in upper back panel.  
Install sideburner grease tray by sliding it into rails which are under sideburner shelf.



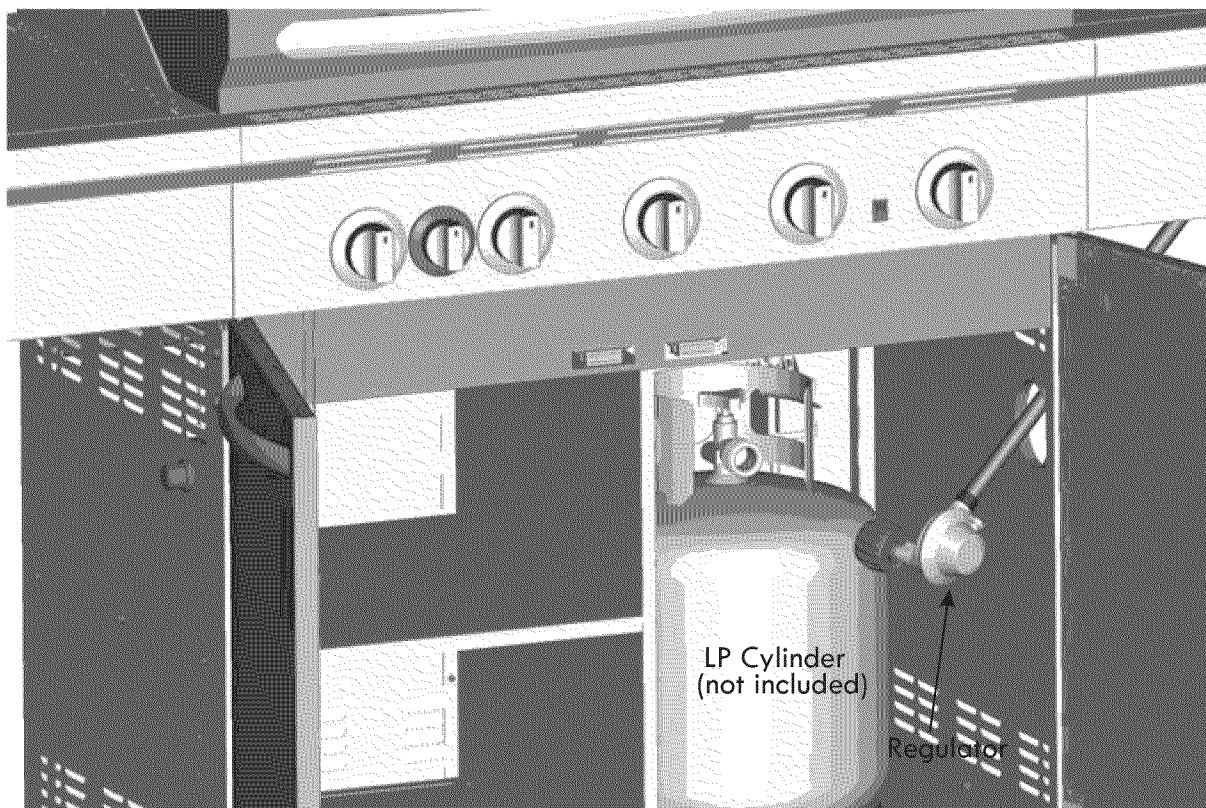
	<b>CAUTION</b>	
<p>Failure to install grease tray will cause hot grease to drip from bottom of grill with risk of fire or property damage.</p>		

**25** LP CYLINDER IS SOLD SEPARATELY. Fill and leak check the cylinder before attaching to grill and regulator (see Use & Care section). Once cylinder has been filled and leak checked, place cylinder into hole in bottom shelf. Make sure cylinder valve is facing front of grill. Secure cylinder with cylinder screw under bottom shelf. Insert regulator through large hole in right side panel. See Use & Care section of this manual to perform the “Burner Flame Check” and for important safety instructions before using.



Always keep LP cylinders in upright position during use, transport, and storage.

	<b>CAUTION</b>	
<p>Cylinder valve must face to front of cart once tank is attached. Failure to install cylinder correctly may allow gas hose to be damaged in operation, resulting in the risk of fire.</p>		





**EMERGENCIES:** If a gas leak cannot be stopped, or a fire occurs due to gas leakage, call the fire department.

Emergencies	Possible Cause	Prevention/Solution
Gas leaking from cracked/cut/burned hose.	<ul style="list-style-type: none"> <li>Damaged hose.</li> </ul>	<ul style="list-style-type: none"> <li>Turn off gas at LP cylinder or at source on natural gas systems. If anything but burned, replace valve/hose/regulator. If burned, discontinue use of product until a plumber has investigated cause and corrections are made.</li> </ul>
Gas leaking from LP cylinder.	<ul style="list-style-type: none"> <li>Mechanical failure due to rusting or mishandling.</li> </ul>	<ul style="list-style-type: none"> <li>Replace LP cylinder.</li> </ul>
Gas leaking from LP cylinder valve.	<ul style="list-style-type: none"> <li>Failure of cylinder valve from mishandling or mechanical failure.</li> </ul>	<ul style="list-style-type: none"> <li>Turn off LP cylinder valve. Return LP cylinder to gas supplier.</li> </ul>
Gas leaking between LP cylinder and regulator connection.	<ul style="list-style-type: none"> <li>Improper installation, connection not tight, failure of rubber seal.</li> </ul>	<ul style="list-style-type: none"> <li>Turn off LP cylinder valve. Remove regulator from cylinder and visually inspect rubber seal for damage. See LP Cylinder Leak Test and Connecting Regulator to the LP Cylinder.</li> </ul>
Fire coming through control panel.	<ul style="list-style-type: none"> <li>Fire in burner tube section of burner due to blockage.</li> </ul>	<ul style="list-style-type: none"> <li>Turn off control knobs and LP cylinder valve. Leave lid open to allow flames to die down. After fire is out and grill is cold, remove burner and inspect for spider nests or rust. See Natural Hazard and Cleaning the Burner Assembly pages.</li> </ul>
Grease fire or continuous excessive flames above cooking surface.	<ul style="list-style-type: none"> <li>Too much grease buildup in burner area.</li> </ul>	<ul style="list-style-type: none"> <li>Turn off control knobs and LP cylinder valve. Leave lid open to allow flames to die down. After cooling, clean food particles and excess grease from inside firebox area, grease tray, and other surfaces.</li> </ul>

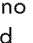
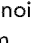
## Troubleshooting

Problem	Possible Cause	Prevention/Solution
<p>Burner(s) will not light using ignitor. (See Electronic Ignition Troubleshooting also)</p> <p>Continued on next page.</p>	<p><b>GAS ISSUES:</b></p> <ul style="list-style-type: none"> <li>Trying to light wrong burner.</li> <li>Burner not engaged with control valve.</li> <li>Obstruction in burner.</li> <li>No gas flow.</li> <li>Vapor lock at coupling nut to LP cylinder.</li> <li>Coupling nut and LP cylinder valve not fully connected.</li> </ul> <p><b>ELECTRICAL ISSUES:</b></p> <ul style="list-style-type: none"> <li>Electrode cracked or broken; "sparks at crack."</li> <li>Electrode tip not in proper position.</li> <li>Wire and/or electrode covered with cooking residue.</li> <li>Wires are loose or disconnected.</li> <li>Wires are shorting (sparking) between ignitor and electrode.</li> <li>Dead battery.</li> </ul>	<ul style="list-style-type: none"> <li>See instructions on control panel and in Use and Care section.</li> <li>Make sure valves are positioned inside of burner tubes.</li> <li>Ensure burner tubes are not obstructed with spider webs or other matter. See cleaning section of Use and Care.</li> <li>Make sure LP cylinder is not empty. If LP cylinder is not empty, refer to "Sudden drop in gas flow."</li> <li>Turn off knobs and disconnect coupling nut from LP cylinder. Reconnect and retry.</li> <li>Turn the coupling nut approximately one-half to three-quarters additional turn until solid stop. Tighten by hand only - do not use tools.</li> <li>Replace electrode(s).</li> </ul> <p><b>Main Burners:</b></p> <ul style="list-style-type: none"> <li>Tip of electrode should be pointing toward gas port opening on burner. The distance should be 1/8" to 1/4". Adjust if necessary.</li> </ul> <p><b>Sideburner:</b></p> <ul style="list-style-type: none"> <li>Tip of electrode should be pointing toward gas port opening on burner. The distance should be 1/8" to 3/16". Adjust if necessary.</li> <li>Clean wire and/or electrode with rubbing alcohol and clean swab.</li> <li>Reconnect wires or replace electrode/wire assembly.</li> <li>Replace ignitor wire/electrode assembly.</li> <li>Replace with a new alkaline battery.</li> </ul>

## Troubleshooting (continued)

Problem	Possible Cause	Prevention/Solution
Burner(s) will not light using ignitor.	<ul style="list-style-type: none"> <li>Faulty electronic ignition circuit.</li> <li>Sparking somewhere other than between burner and electrode.</li> </ul>	<ul style="list-style-type: none"> <li>See Troubleshooting Integrated Electronic Ignition section.</li> <li>Inspect wire insulation and proper connections. Replace wires if insulation is broken.</li> </ul>
Burner(s) will not match light.	<ul style="list-style-type: none"> <li>See "GAS ISSUES:" on previous page.</li> <li>Improper method of match-lighting.</li> </ul>	<ul style="list-style-type: none"> <li>See "Match-Lighting" section of Use and Care.</li> </ul>
Sudden drop in gas flow or low flame.	<ul style="list-style-type: none"> <li>Out of gas.</li> <li>Excess flow valve tripped.</li> <li>Vapor lock at coupling nut/LP tank connection.</li> </ul>	<ul style="list-style-type: none"> <li>Check for gas in LP tank.</li> <li>Turn off knobs, wait 30 seconds and light grill. If flames are still low, turn off knobs and LP tank valve. Disconnect regulator. Reconnect regulator and leak-test. Turn on LP tank valve, wait 30 seconds and then light grill.</li> <li>Turn off knobs and LP tank valve. Disconnect coupling nut from tank. Reconnect and retry.</li> </ul>
Flames blow out.	<ul style="list-style-type: none"> <li>High or gusting winds.</li> <li>Low on LP gas.</li> <li>Excess flow valve tripped.</li> </ul>	<ul style="list-style-type: none"> <li>Turn front of grill to face wind or increase flame height.</li> <li>Refill LP tank.</li> <li>Refer to "Sudden drop in gas flow" above.</li> </ul>
Flare-up.	<ul style="list-style-type: none"> <li>Grease buildup.</li> <li>Excessive fat in meat.</li> <li>Excessive cooking temperature.</li> </ul>	<ul style="list-style-type: none"> <li>Clean burners and inside of grill/firebox.</li> <li>Trim fat from meat before grilling.</li> <li>Adjust (lower) temperature accordingly.</li> </ul>
Persistent grease fire.	<ul style="list-style-type: none"> <li>Grease trapped by food buildup around burner system.</li> </ul>	<ul style="list-style-type: none"> <li>Turn knobs to OFF. Turn gas off at LP tank. Leave lid in position and let fire burn out. After grill cools, remove and clean all parts.</li> </ul>
Flashback... (fire in burner tube(s)).	<ul style="list-style-type: none"> <li>Burner and/or burner tubes are blocked.</li> </ul>	<ul style="list-style-type: none"> <li>Turn knobs to OFF. Clean burner and/or burner tubes. See burner cleaning section of Use and Care manual.</li> </ul>
Unable to fill LP tank.	<ul style="list-style-type: none"> <li>Some dealers have older fill nozzles with worn threads.</li> </ul>	<ul style="list-style-type: none"> <li>The worn nozzles don't have enough "bite" to engage the valve. Try a second LP dealer.</li> </ul>
One burner does not light from other burner(s).	<ul style="list-style-type: none"> <li>Grease buildup or food particles in end(s) of carryover tube(s).</li> </ul>	<ul style="list-style-type: none"> <li>Clean carry-over tube(s) with wire brush.</li> </ul>

## Troubleshooting - Integrated Electronic Ignition

Problem (Ignition)	Possible Cause	Check Procedure	Prevention/Solution
<p><b>SECTION I</b></p> <p>No sparks appear at any electrodes when burner control knobs are turned to ; no noise can be heard from spark module.</p>	<ul style="list-style-type: none"> <li>Battery not installed properly.</li> <li>Dead battery.</li> <li>Battery cap not installed properly.</li> <li>Faulty spark module.</li> </ul>	<ul style="list-style-type: none"> <li>Check battery orientation.</li> <li>Has battery been used previously?</li> <li>Check to ensure battery cap is fully engaged.</li> <li>If no sparks are generated with new battery and good wire connections, module is faulty.</li> </ul>	<ul style="list-style-type: none"> <li>Install battery (make sure that “+” and “-” connectors are oriented correctly, with “+” end up and “-” end down.)</li> <li>Replace battery with new alkaline battery.</li> <li>Remove battery cap and reinstall, making sure it can be fully engaged.</li> <li>Replace spark module assembly.</li> </ul>
<p><b>SECTION II</b></p> <p>No sparks appear at any electrodes when burner control knobs are turned to ; noise can be heard from spark module.</p>	<ul style="list-style-type: none"> <li>Output lead connections not connected.</li> <li>Electrode tip not in proper position.</li> </ul>	<ul style="list-style-type: none"> <li>Are output connections on and tight?</li> <li>Are the electrode tips pointing in the right direction? Is the gap too big?</li> </ul>	<ul style="list-style-type: none"> <li>Remove and reconnect all output connections at module and electrodes.</li> </ul> <p><b>Main Burners:</b></p> <ul style="list-style-type: none"> <li>Tip of electrode should be pointing toward port hole in burner. The distance should be 1/8” to 3/16”. Adjust if necessary.</li> </ul> <p><b>Sideburner:</b></p> <ul style="list-style-type: none"> <li>Tip of electrode should be pointing toward gas port opening on burner. The distance should be 1/8” to 3/16”. Adjust if necessary.</li> </ul>
<p><b>SECTION III</b></p> <p>Sparks are present but not at all electrodes and/or not at full strength</p>	<ul style="list-style-type: none"> <li>Output lead connections not connected.</li> <li>Arcing to grill away from burner(s).</li> <li>Weak battery.</li> <li>Electrodes are wet.</li> <li>Electrodes cracked or broken “sparks at crack”.</li> </ul>	<ul style="list-style-type: none"> <li>Are output connections on and tight?</li> <li>If possible, observe grill in dark location. Operate ignition system and look for arcing between output wires and grill frame.</li> <li>All sparks present but weak or at slow rate.</li> <li>Has moisture accumulated on electrode and/or in burner ports?</li> <li>Inspect electrodes for cracks.</li> </ul>	<ul style="list-style-type: none"> <li>Remove and reconnect all output connections at module and electrodes.</li> <li>If sparks are observed other than from burner(s), wire insulation may be damaged. Replace wires.</li> <li>Replace battery with a new alkaline battery.</li> <li>Use paper towel to remove moisture.</li> <li>Replace cracked or broken electrodes.</li> </ul>

# Get it fixed, at your home or ours!

## Your Home

For troubleshooting, product manuals and expert advice:



[www.managemylife.com](http://www.managemylife.com)

For repair – **in your home** – of **all** major brand appliances, lawn and garden equipment, or heating and cooling systems, **no matter who made it, no matter who sold it!**

For the replacement parts, accessories and owner's manuals that you need to do-it-yourself.

For Sears professional installation of home appliances and items like garage door openers and water heaters.

**1-800-4-MY-HOME<sup>®</sup>** (1-800-469-4663)

Call anytime, day or night (U.S.A. and Canada)

[www.sears.com](http://www.sears.com)      [www.sears.ca](http://www.sears.ca)

## Our Home

For repair of carry-in items like vacuums, lawn equipment, and electronics, call anytime for the location of your nearest

**Sears Parts & Repair Service Center**

**1-800-488-1222** (U.S.A.)      **1-800-469-4663** (Canada)

[www.sears.com](http://www.sears.com)      [www.sears.ca](http://www.sears.ca)

To purchase a protection agreement on a product serviced by Sears:

**1-800-827-6655** (U.S.A.)      **1-800-361-6665** (Canada)

Para pedir servicio de reparación a domicilio, y para ordenar piezas:

**1-888-SU-HOGAR<sup>®</sup>**

(1-888-784-6427)

[www.sears.com](http://www.sears.com)

Au Canada pour service en français:

**1-800-LE-FOYER<sup>MC</sup>**

(1-800-533-6937)

[www.sears.ca](http://www.sears.ca)

The Sears logo, featuring the word "Sears" in a large, stylized, serif font with a horizontal line through the middle of the letters.