

Use and Care Guide



22.5" KETTLE A-FRAME CART

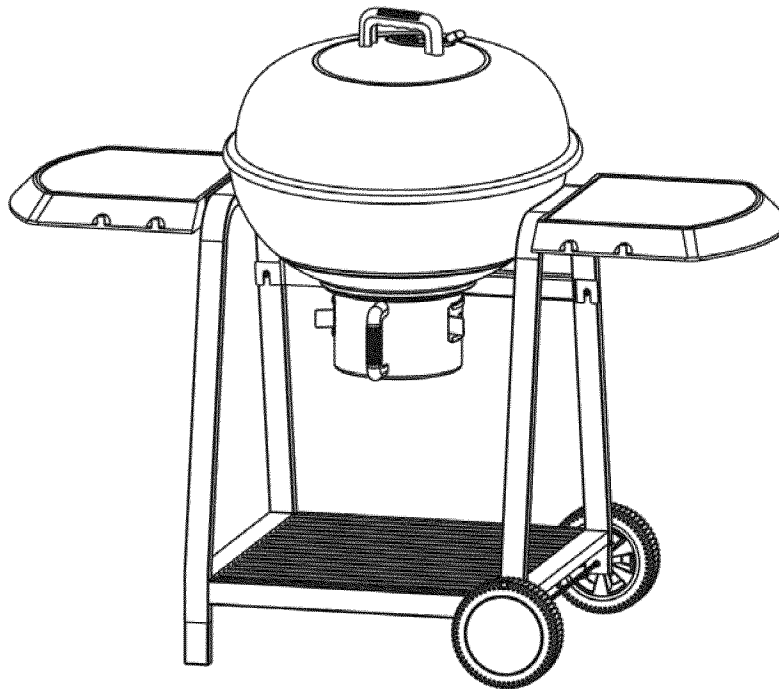
CHARCOAL GRILL

Sears Item No. 60076

Kmart Item No. 680-02482644-8

This Grill is for Outdoor Use Only

SAVE THESE INSTRUCTIONS!



	WARNING	
<ul style="list-style-type: none">• Read and follow all Safety, Assembly, and Use and Care Instructions in this Guide before assembling and cooking with this grill.• Failure to follow all instructions in this Use and Care Guide may lead to fire or explosion, which could result in property damage, personal injury or death.		

- Safety
- Parts
- Use and Care
- Assembly

Assembly Questions?
Call 1-866-561-0731

Tools needed for assembly:

Screwdriver (not provided)
Open end wrench (provided)

Sears, Roebuck and Co., Hoffman Estates, IL 60179 U.S.A.
See our extensive assortment of outdoor living products on-line at
www.sears.com and www.kmart.com

BBQ-PRO Charcoal Grill Assembly Instructions

Tips and Features for safety and ease of use

Verify that all parts are included with your grill before beginning assembly by checking the Parts List inside. If all parts are not included, please e-mail us at customerservice@vdgus.com or call us toll free 1-866-561-0731 (M-F 8:30 - 4:30) CT.

USE DIAGRAM(S) PROVIDED FOR ASSEMBLY. Leave nuts half-tightened on the grill during assembly until unit is completely assembled, then finish tightening nuts.

SAFETY GUIDELINES

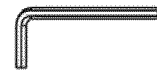
1. This grill is intended for **HOUSEHOLD OUTDOOR USE ONLY**. Do not attempt to use grill in enclosed areas or under an overhead cover of any kind, including a tent or patio cover.
Your grill should never be used closer than 36 inches from walls on the back and side(s) of grill.
2. Place your grill outdoors on a firm, level surface. Do not use this grill on a surface that will burn or melt, such as a plastic or artificial surface or wood table. Keep grill away from wooden fences, overhanging trees, or other flammable objects before adding and lighting charcoal.
3. **DO NOT USE GASOLINE, ALCOHOL OR KEROSENE IN THIS GRILL.** Use only commercial charcoal lighter fluid with charcoal briquettes or pre-soaked charcoal briquettes. Prepare charcoal according to the product's instructions. Do not exceed 5 lbs of charcoal briquettes in this grill per use.
4. After lighting charcoal, do not leave grill unattended.
5. Remember to keep children and pets away from lit grill at all times.
6. To avoid harm to people, pets, or property, do not move the grill once the charcoal has been lit.
7. Once coals are lit, the grill and surrounding surfaces become very hot. Use proper outdoor cooking mitts, utensils and avoid skin contact with all hot surfaces on grill.
8. To extinguish charcoal after cooking, douse coals with sand or spray with a fine mist of water.
9. After your grill has cooled, remove ashes from the catcher and cover, and store the grill when not in use.

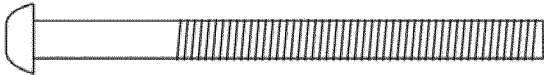

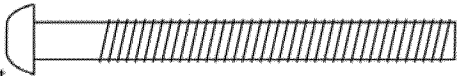
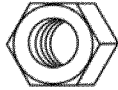
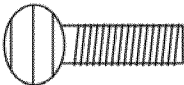

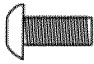





WARNING! Combustion by-products produced when using this product contain chemicals known to the State of California to cause cancer, birth defects, and other reproductive harm.

HARDWARE LIST

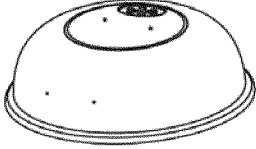
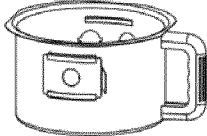

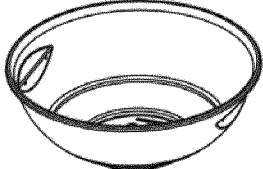
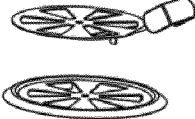

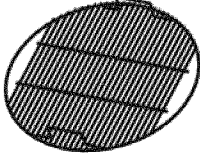
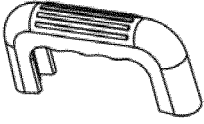




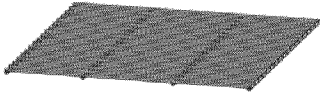



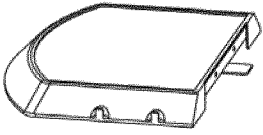
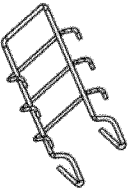

TOOL REQUIRED: HEX WRENCH



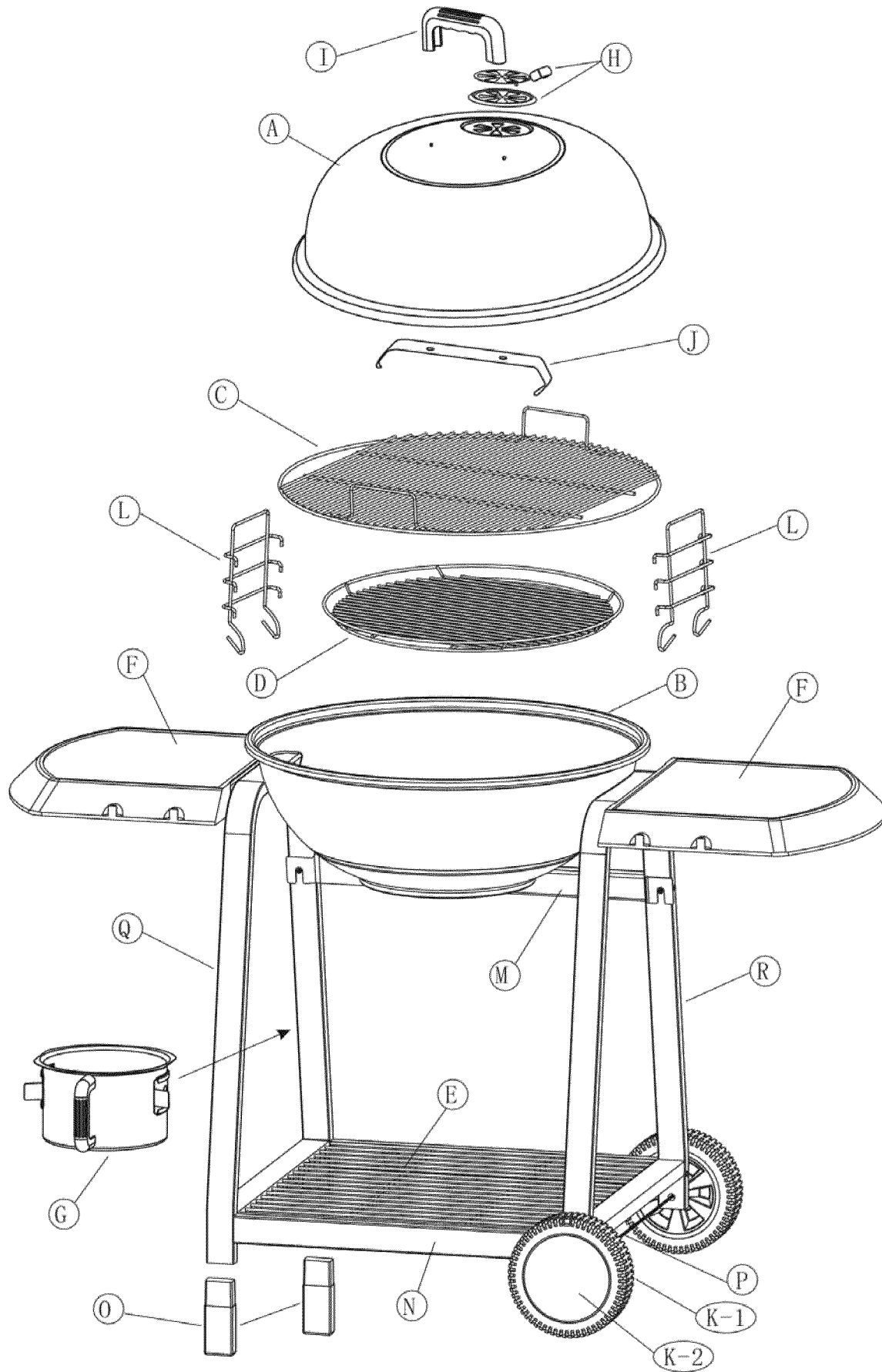
1: (4pcs) 1 / 4"x3" Bowl Fixing Bolt		6: (4pcs) 1 / 4" Winged Nut	
2: (6pcs) 1 / 4" x 2-1/2" Leg Bolt		7: (2pcs) 5/16" Hex Locknut	
3: (2pcs) 1 / 4" x 7/8" Handle Bolt		8: (19pcs) 1 / 4" Fiber Washer	
4: (1pc) 5/32"x3/8" Damper Bolt		9: (10pcs) 1 / 4" Metal Washer	
5: (1pc) 5/32" Damper Winged Nut		10: (4pcs) 5/16" Plastic Washer	

BBQ-PRO Charcoal Grill Assembly Instructions

PARTS LIST

<p>A: Lid (1)</p>  <p>200451N</p>	<p>G: Ash Catcher (1)</p>  <p>230104N</p>	<p>M: Top Support (1)</p>  <p>300240N</p>	
<p>B: Bottom Bowl (1)</p>  <p>210311N</p>	<p>H: Lid Vent Assembly (1)</p>  <p>220102N</p>	<p>N: Base support (2)</p>  <p>300241N</p>	
<p>C: Cooking Grid (1)</p>  <p>600306N</p>	<p>I: Handle (1)</p>  <p>220018N</p>	<p>O: Leg Cap (2)</p>  <p>300242N</p>	
<p>D: Charcoal Grid (1)</p>  <p>610201N</p>	<p>J: Lid Bracket (1)</p>  <p>220002N</p>	<p>P: Axle (1)</p>  <p>300243N</p>	
<p>E: Base Grid (1)</p>  <p>300237N</p>	<p>K-1: Wheel (2) 500100N</p>  <p>K-2: Hub Cap (2) 500306N</p> 		<p>Q: Left Leg (1)</p>  <p>300245N</p>
<p>F: Side Shelf (2)</p>  <p>300238N</p>	<p>L: Grid Height Adjuster (2)</p>  <p>240100N</p>	<p>R: Right Leg (1)</p>  <p>300244N</p>	

BBQ-PRO Charcoal Grill Assembly Instructions

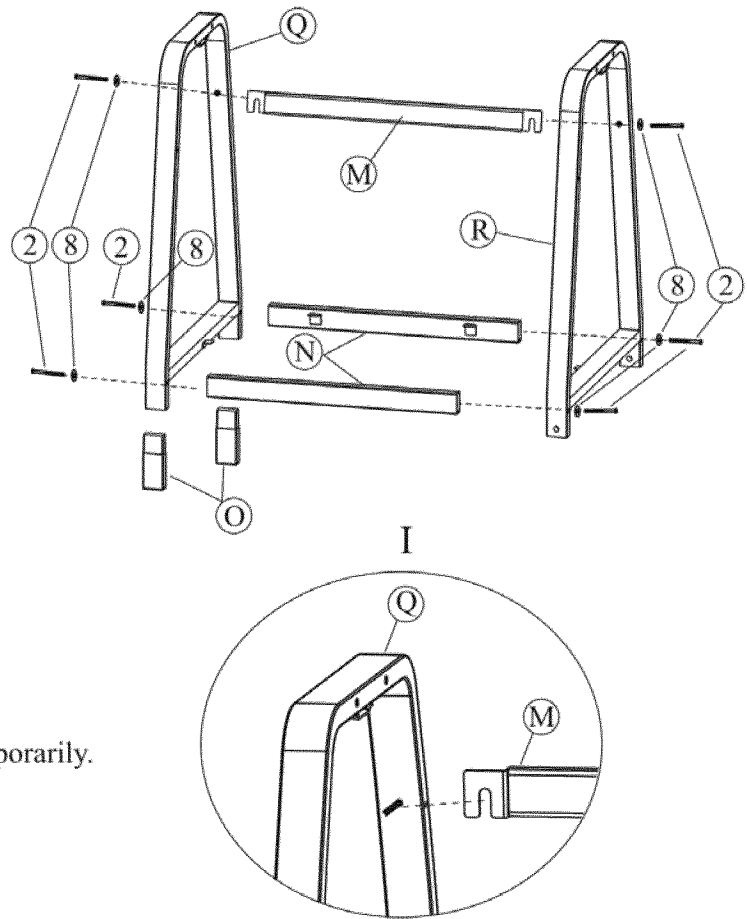


BBQ-PRO Charcoal Grill Assembly Instructions

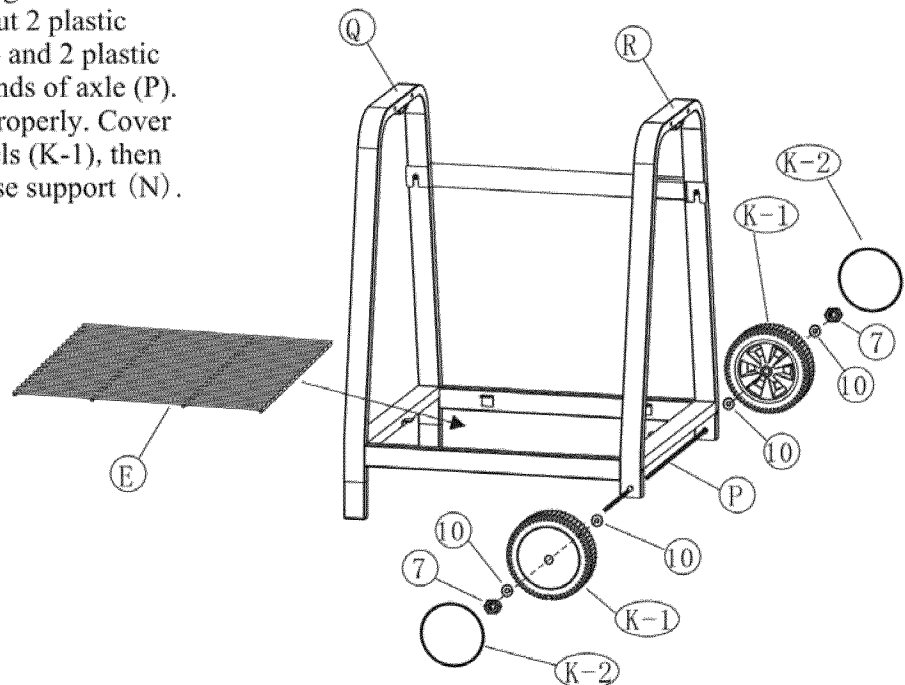
Remove all the parts from the carton and lay them out on a smooth, clean surface. Verify the presence of all parts by comparing to hardware and Parts Lists on previous pages. Do not throw away any of the packaging until you locate all the parts.

STEP 1. Set leg cap (O) to the end of left leg (Q). Put the slot of top support (M) on the top round pole and put another slot of top support (M) on the top round pole of left leg (Q) (see the diagram I).

Put the two base support (N) to the left & right legs (Q) (R). Fix the top support (M) and base support (N) to the left & right legs (Q) (R) with 6 leg bolts (2) and 6 fiber washers (8). Do not fully tighten all bolts temporarily.

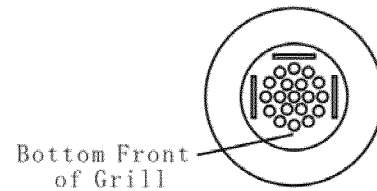
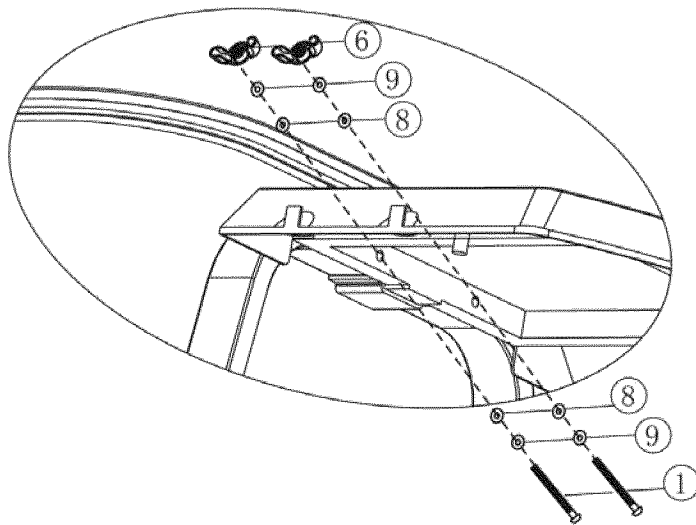
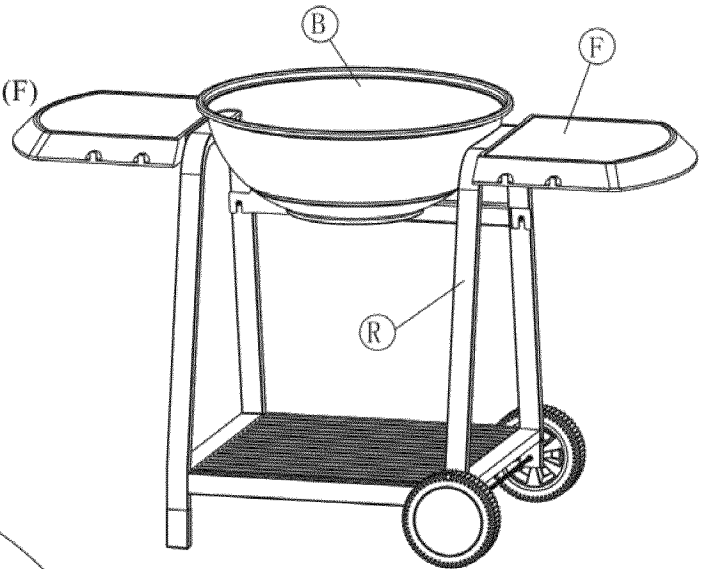


STEP 2. Insert axle (P) through the front & rear holes of right leg (R), put 2 plastic washers (10), 2 wheels (K-1) and 2 plastic washers (10) each onto the ends of axle (P). Screw the hex locknuts (7) properly. Cover hub caps (K-2) on both wheels (K-1), then put the base grid (E) onto base support (N).



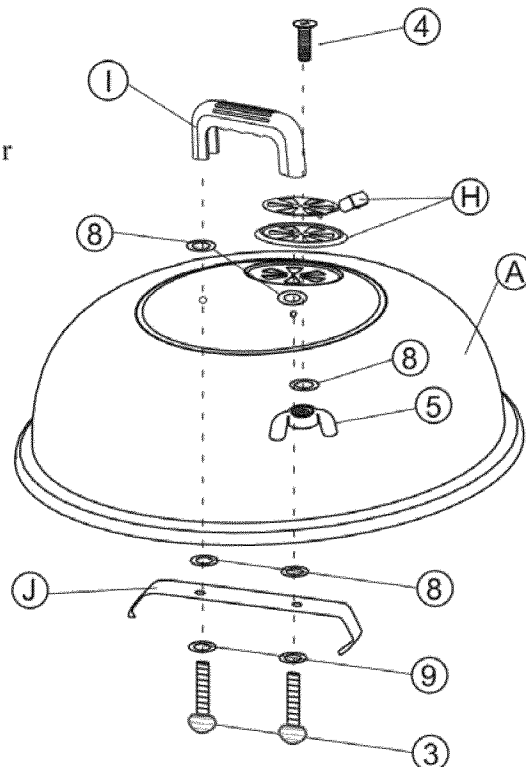
BBQ-PRO Charcoal Grill Assembly Instructions

STEP 3. Put the bottom bowl (B) in the middle of left & right legs (Q)&(R). Attach side shelf (F) to right leg (R) by inserting 2 bolts (1) through 2 metal washers (9), 2 fiber washers (8), right leg (R), bottom bowl (B), 2 fiber washers (8), 2 metal washers (9) and 2 winged nuts (6). Repeat same procedure for the other side shelf.



STEP 4. Attach lid vent assembly (H) by inserting damper bolt (4) through lid vent assembly (H), lid (A). Inside of lid, place 1 fiber washer (8), 1 damper winged nut (5) to damper bolt (4) and tighten.

Attach handle (I) by inserting 2 handle bolts (3) through 2 metal washers (9), lid bracket (J), 2 fiber washers (8), lid (A), 2 fiber washers (8) into handle (I).

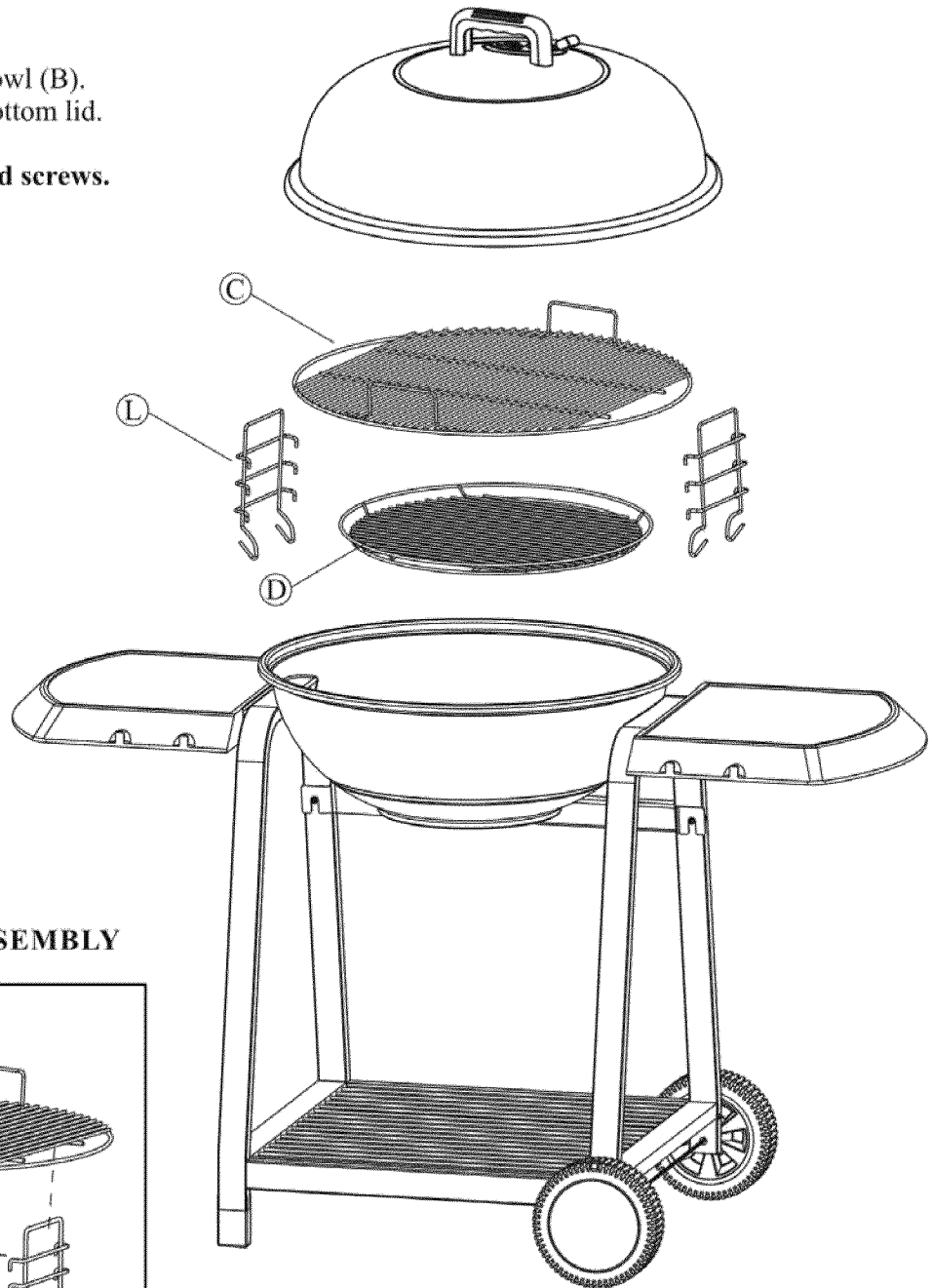


BBQ-PRO Charcoal Grill Assembly Instructions

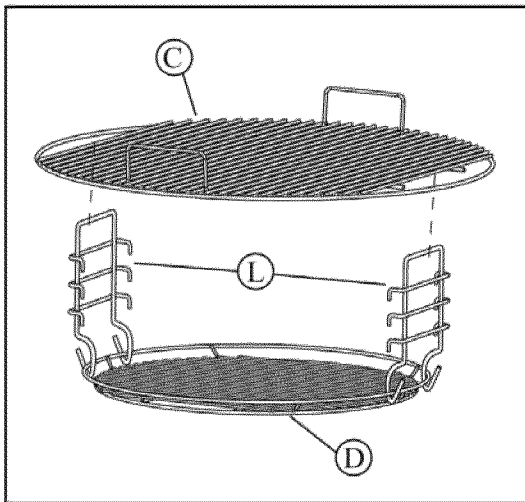
STEP 5. Hook bottom of grid height adjusters (L) to side of charcoal grid (D), slide grid height adjusters (L) through the larger opening on the side of cooking grid (C).

Insert cooking grid /charcoal grid assembly into bottom bowl (B). Place top lid (A) on top of bottom lid.

STEP 6. Tighten all nuts and screws.

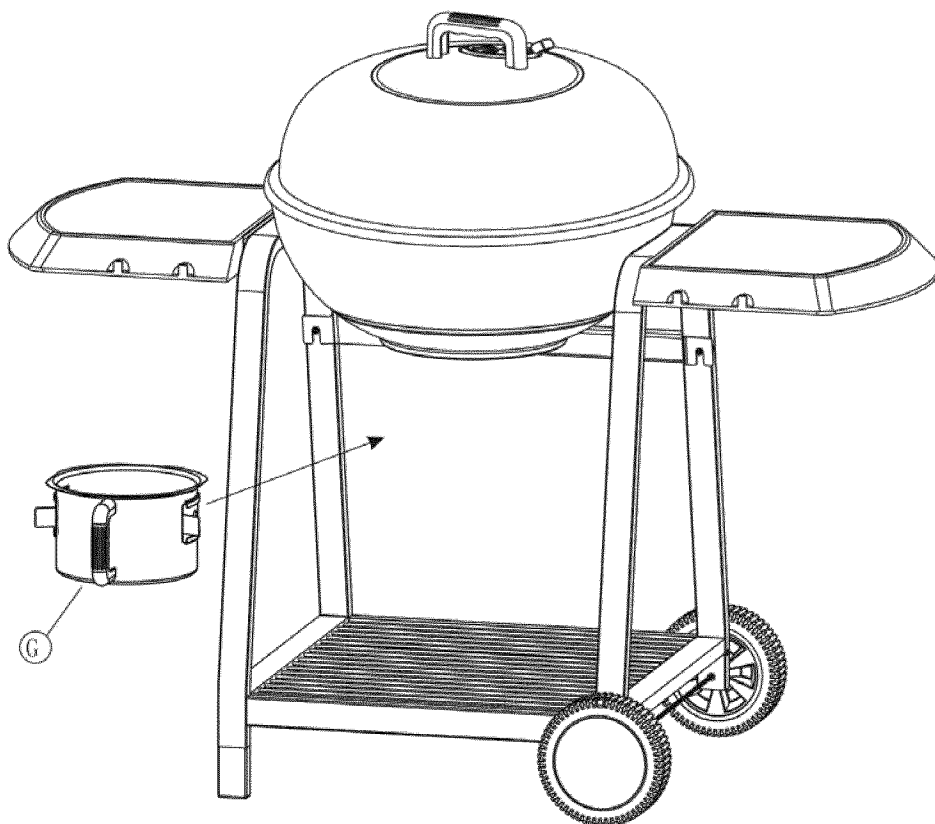


COOKING GRID/ CHARCOAL GRID ASSEMBLY



BBQ-PRO Charcoal Grill Assembly Instructions

STEP 7. Slide ash catcher (G)
into the slots of bottom bowl (B).



BBQ-PRO Charcoal Grill Assembly Instructions

ORDER PARTS

KEY#	QUANTITY	DESCRIPTION	PART#
A	1	LID	200451N
B	1	BOTTOM BOWL	210311N
C	1	COOKING GRID	600306N
D	1	CHARCOAL GRID	610201N
E	1	BASE GRID	300237N
F	2	SIDE SHELF	300238N
G	1	ASH CATCHER	230104N
H	1	LID VENT ASSEMBLY	220102N
I	1	HANDLE	220018N
J	1	LID BRACKET	220002N
K-1	2	WHEEL	500100N
K-2	2	HUB CAP	500306N
L	2	GRID HEIGHT ADJUSTER	240100N
M	1	TOP SUPPORT	300240N
N	2	BASE SUPPORT	300241N
O	2	LEG CAP	300242N
P	1	AXLE	300243N
Q	1	LEFT LEG	300245N
R	1	RIGHT LEG	300244N
1-10	1	HARDWARE PACK	

WARNING: To ensure that it is safe to eat, food must be cooked to the minimum internal temperatures listed in the table below.

USDA* Safe Minimum Internal Temperatures	
Fish	145° F
Pork	160° F
Egg Dishes	160° F
Steaks and Roasts of Beef, Veal or Lamb	145° F
Ground Beef, Veal or Lamb	160° F
Whole Poultry (Turkey, Chicken, Duck, etc.)	165° F
Ground or Pieces Poultry (Chicken Breast, etc.)	165° F

*United States Department of Agriculture

90 Day Limited Warranty

If this BBQ-Pro product fails due to a defect in material or workmanship within 90 days from the date of purchase, return it to any Sears store or other BBQ-Pro outlet in the United States with your proof of purchase for free replacement.

This warranty gives you specific legal rights, and you may also have other rights which vary from state to state.

Sears, Roebuck and Co., Hoffman Estates, IL 60179

For further information, contact the manufacturer, toll free at 1-866-561-0731.