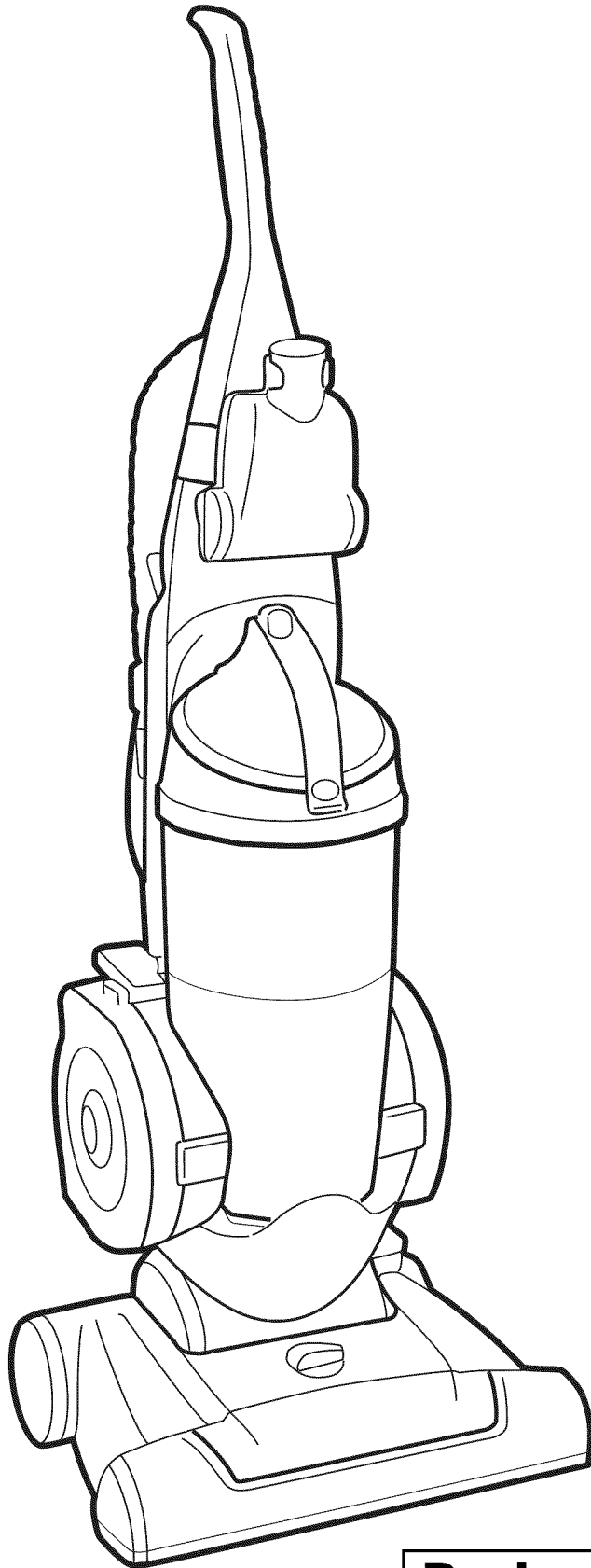


Elite™ Rewind™ Upright Cleaner



Owner's Manual
ENGLISH → pp. 1-12
ESPAÑOL → pág 13-20

**Review this manual before
operating the cleaner.**

Thank you for choosing a HOOVER® product

Please enter the COMPLETE model and serial numbers in the spaces provided.

Model _____

Serial number _____

Hint: Attach your sales receipt to this owner's manual.

Verification of date of purchase may be required for warranty service of your HOOVER product.

Be sure to fill out and return the product registration card included with your cleaner (see back cover).



SERIAL NUMBER

Contents

Assembling Cleaner	3
Carton Contents	3
Cleaner Descriptions	4
How To Use	4-6
Cleaning Tools	6
If You Have a Problem	11
Important Safeguards	2
Lubrication	9
Maintenance	6-11
Authorized Service	11
Cleaning Filters	7-8
Clearing Blockages	12
Emptying Dirt Cup	6-7
Replacing Agitator Brush Roll	9
Replacing Belt	8-9
Replacing Powered Hand Tool	
Agitator Brush Roll	10
Replacing Power Hand Tool Belt ..	10
Replacing Headlight	8
Thermal Protector	11
Warranty	12
Parts and accessories mail order	
form	21

Important Safeguards!

When using an electrical appliance, always follow basic precautions, including the following:
READ ALL INSTRUCTIONS BEFORE USING THIS APPLIANCE

WARNING: To reduce the risk of fire, electric shock, or injury:

- Do not use outdoors or on wet surfaces.
- Close supervision is necessary when any appliance is used by or near children. Do not allow vacuum cleaner to be used as a toy or to run unattended at any time.
- Keep hair, loose clothing, fingers, feet and all parts of body away from openings, rotating agitator and other moving parts. Do not operate cleaner in bare feet or when wearing open toe shoes or sandals.
- Do not pick up anything that is burning or smoking, such as cigarettes, matches, or hot ashes.
- Do not use to pick up flammable or combustible materials such as gasoline or fine wood sandings or use in areas where they may be present.
- Avoid picking up hard, sharp objects with the cleaner. They may damage the cleaner.
- Always turn off this appliance before connecting or disconnecting hose.
- Unplug cleaner before connecting the powered hand tool.
- Do not use without dirt cup or filters in place. Empty cup and clean filters frequently when picking up very fine materials such as powder.
- Use extra care when cleaning on stairs.
- Do not put any object into openings. Do not use with any opening blocked; keep free of dust, lint, hair, or anything that may reduce air flow.
- Do not pull or carry by cord, use cord as a handle, close door on cord or pull cord around sharp edges or corners. Do not run appliance over cord. Keep cord away from heated surfaces.
- Always disconnect cord from electrical outlet before servicing the cleaner.
- Unplug cleaner when not in use. Turn off all controls before unplugging.
- Do not unplug by pulling on cord. To unplug, grasp the plug, not the cord. Never handle plug or appliance with wet hands.
- Hold onto the plug while cord is being rewound to prevent cord from whipping.
- The use of an extension cord is not recommended.
- Do not use with damaged cord or plug. If appliance is not working as it should, has been dropped, damaged, left outdoors, or dropped into water, take it to a Hoover Sales and Service Center or Authorized Hoover Warranty Service Dealer (Depot).
- Use vacuum cleaner only for its intended use as described in the instructions. Use only attachments recommended by Hoover; others may cause hazards.

WARNING: This product contains chemicals known to the State of California to cause cancer. *Wash hands after handling.*



Save these instructions!

If you need any assistance:

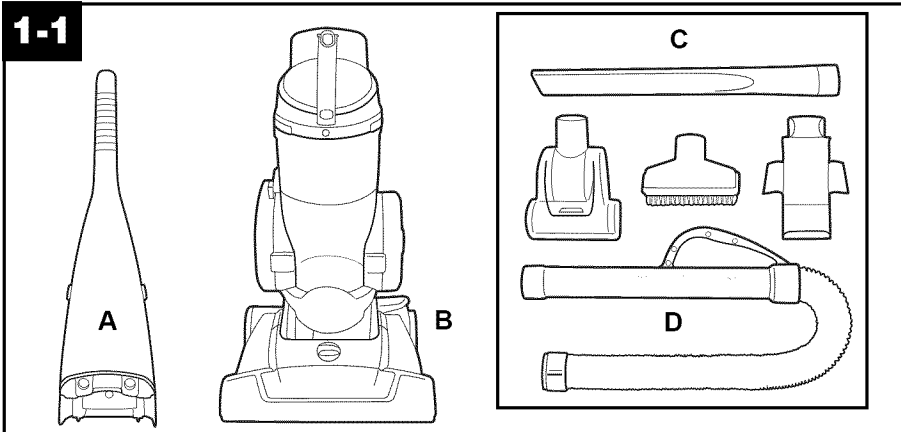
Visit our website at www.hoover.com. Click on the "Service" button to find the service outlet nearest you OR

Call **1-800-944-9200** for an automated referral of authorized service outlet locations (U.S. only) OR Call 1-330-499-9499 to speak with a representative in our Consumer Response Center.

Please do not return this product to the store.

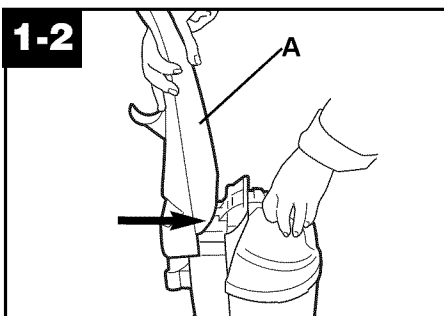
Assembling cleaner

Carton contents



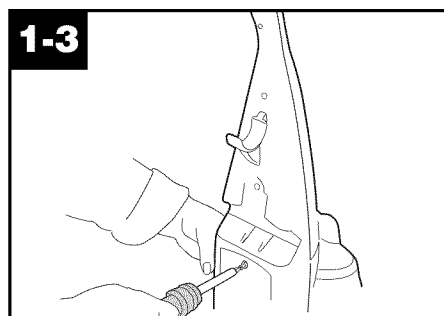
- A. Handle section and screw (taped to handle)
- B. Cleaner body
- C. Cleaning tools
- D. Hose

Remove all parts from carton and identify each item shown. Make sure all parts are located before disposing of packing materials.

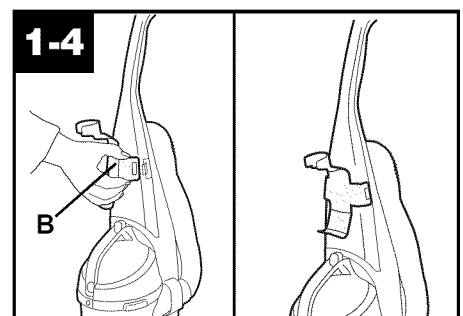


Attach handle

Slide handle section (A) onto back of handle.

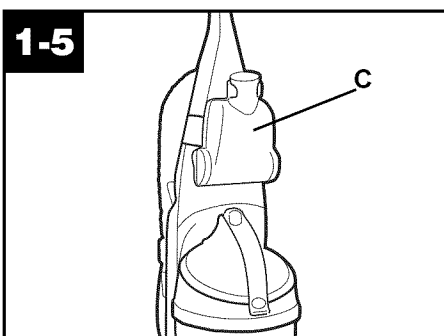


Push screw into hole on back of handle. Tighten screw securely with a Phillips screwdriver.

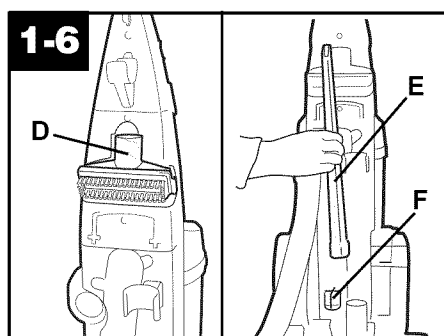


Position tools

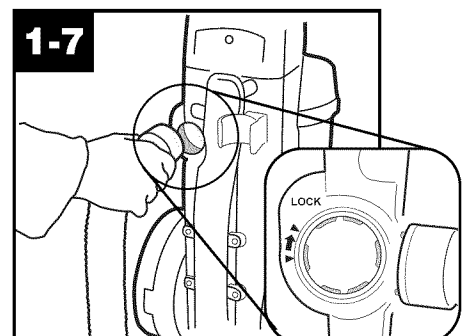
The holder (B) for the powered hand tool snaps onto the tabs on the front of the handle. Be sure the holder is properly positioned as shown in the drawing.



Place the powered hand tool (C) into the holder as shown.

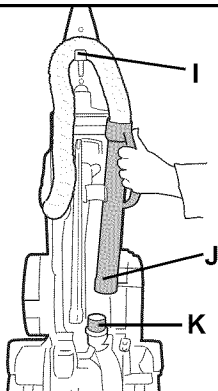


Place combination tool (D) into opening on back of handle. The crevice wand (E) slides over the post (F) on the back of the cleaner.



Position hose

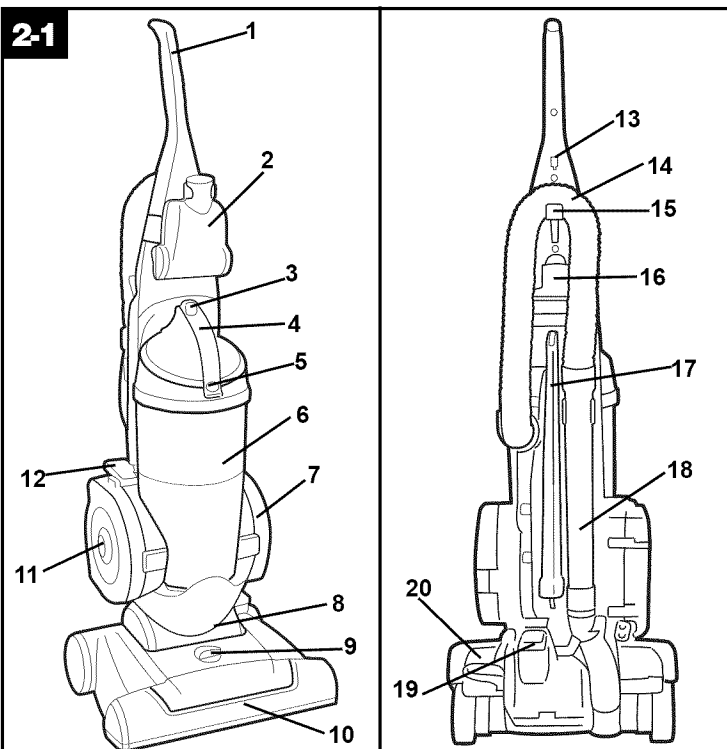
Align end of hose with projections over slots in dirt duct on back of cleaner. Twist to lock in place. The hose connector allows the hose to swivel.

1-8

Wrap hose over hook (I).
Push hose end (J) firmly onto tube (K) as shown.

2. How to use

Cleaner description

2-1

1. Handle grip
2. Powered hand tool
3. Dirt cup release button
4. Carrying handle/Dirt cup handle
5. Air flow indicator
6. Dirt cup assembly
7. Long lasting HEPA filter
8. Headlight
9. Nozzle control knob: turn knob to correct setting for height of carpet being cleaned.
10. Furniture nozzle: helps prevent cleaner from marking furniture.
11. Cord reel
12. Cord rewind button: press button to rewind cord for storage. **Hold plug until cord is rewound.**
13. Cord hook
14. Hose
15. Hose holder

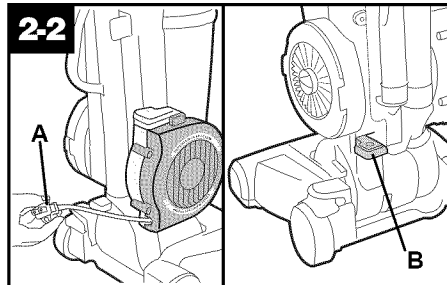
16. Combination tool
17. Crevice wand
18. Hose handle
19. ON/OFF pedal
20. Handle release pedal: step on pedal to lower handle to operating or low positions.

Operate cleaner only at voltage specified on data plate on back of cleaner.

This cleaner is intended for household use.

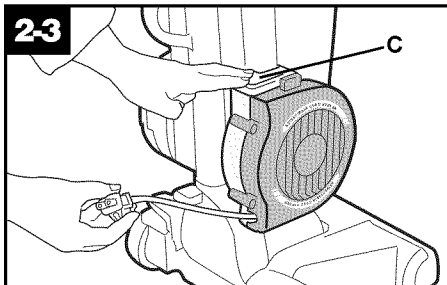
Polarized plug

To reduce the risk of electric shock, this appliance has a polarized plug (one blade is wider than the other). This plug will fit in a polarized outlet only one way. If the plug does not fit fully in the outlet, reverse the plug. If it still does not fit, contact a qualified electrician to install the proper outlet. Do not change the plug in any way.



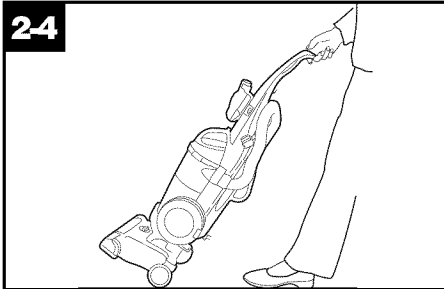
ON-OFF pedal

Grasp end of plug (A) and pull to desired cord length. Plug cord into electrical outlet.
To turn cleaner ON, step on ON/OFF pedal (B) once.
To turn cleaner OFF, step on pedal again.



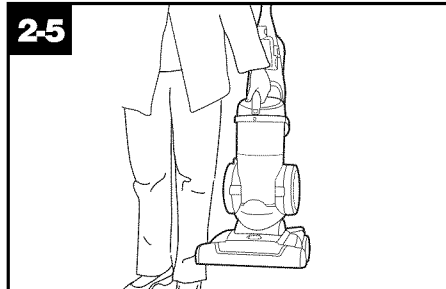
Cord rewind

Grasp the end of the plug and pull to release cord from cord reel. After desired cord length is reached, the cord will lock into position.
To return cord for storage, **hold plug** and press on button (C) at top of cord reel. **To prevent cord from whipping, hold plug until cord is rewound.**



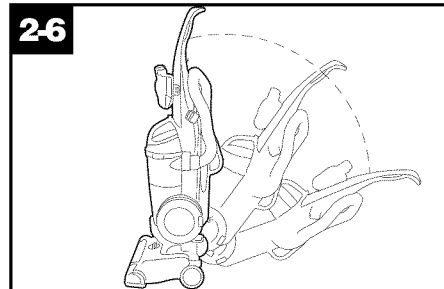
2-4 Transporting cleaner

To move your cleaner from room to room, put handle in upright position, tilt cleaner back on rear wheels and push forward.



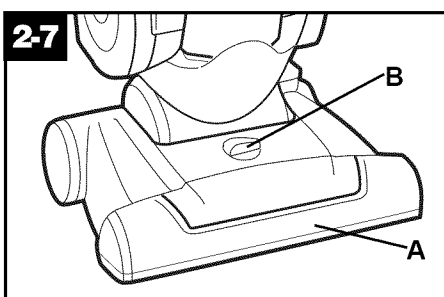
2-5 Carrying cleaner

The cleaner can also be moved by using the carrying handle, located on the top of the dirt cup.



2-6 Handle positions

The handle of your cleaner has three positions; **upright** for storage and when using cleaning tools; **operating position** for general operation on carpet and floors; **low** for reaching under low furniture. Step on handle release pedal to lower handle.

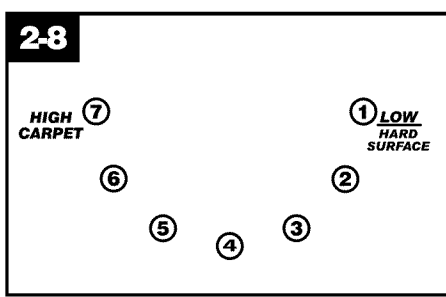


2-7 Carpet height adjustment

The cleaning of carpet and rugs takes place at the nozzle (A).

When it is necessary to raise and lower the nozzle for various carpet pile heights, place handle in upright position and turn the nozzle control knob (B) to the desired setting.

The nozzle will not move into the adjusted position until the cleaner handle is lowered to the operating position.



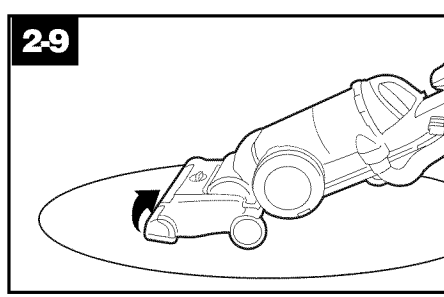
2-8 Settings

For maximum cleaning performance, the following carpet height settings are recommended:

- **Lowest setting:** for all types of carpet and hard surface flooring.

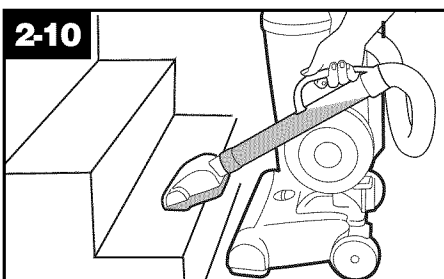
Note: If the cleaner is difficult to push, turn knob to the next higher setting.

- **Higher settings:** for very deep pile carpet, where easier pushing effort is desired, while maintaining good cleaning performance.



2-9 Cleaning lightweight flexible rugs

Stand on one end of rug and move cleaner toward other end or edge. Before reaching edge, push down on handle. This will lift up the nozzle (front of cleaner) as shown and will prevent rug from clinging to cleaner. Continue to lift up nozzle so that when you have reached the edge, it is completely off the rug. Move cleaner back to start again, lower nozzle, and use only forward strokes.



2-10 Stair cleaning

Use the hose and power hand tool for stair cleaning. Clean from bottom to top.

When using cleaning tools, the agitator will continue to rotate.

CAUTION: To avoid personal injury or unnecessary wear to carpet, and to prevent the cleaner from falling, always place it at bottom of stairs.

Cleaning tools

Tools allow for cleaning surfaces above the floor and for reaching hard to clean areas.

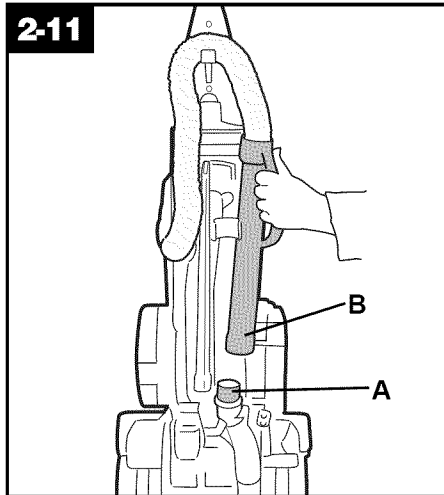
The cleaner is ready for tool use when **handle is in upright position**.

CAUTION: The agitator continues to rotate while cleaner handle is in upright position. Avoid tipping cleaner or setting it on furniture, fringed area rugs or carpeted stairs during tool use.

How to clean tools

To clean the hose and powered hand tool, wipe off dirt with a cloth dampened in a mild detergent. Rinse with a damp cloth. **DO NOT** submerge powered hand tool in water.

Cleaning tools may be washed in warm water with a detergent. Rinse and air dry before using.

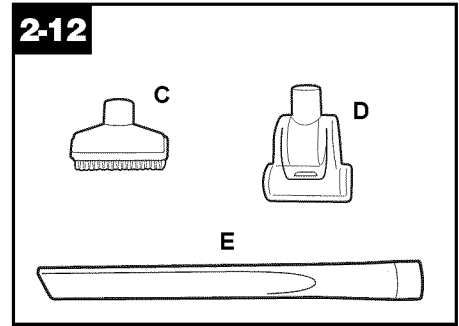


Removing hose

When using cleaning tools, **cleaner handle should be in the upright position**. Also, **turn cleaner OFF before disconnecting and connecting hose to hose tube (A)**.

To use hose, lift hose end (B) as shown.

When you are finished cleaning with the tools, reposition hose end onto tube.

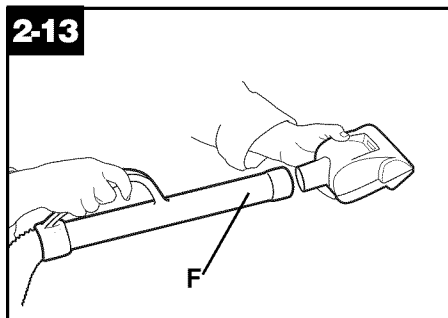


Select proper tool

C. Combination tool use with brush attached for carved furniture, table tops, books, lamps, lighting fixtures, venetian blinds, baseboards, shutters, and registers. Remove brush to clean upholstered furniture, draperies, mattresses, clothing, and carpeted stairs.

D. Powered hand tool may be used for upholstered furniture, draperies, mattresses, clothing, automobile interiors, and carpeted stairs.

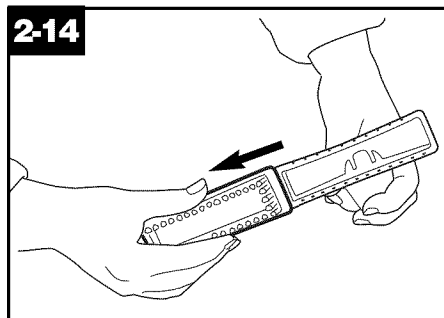
E. Crevice wand may be used in tight spaces, corners and along edges in such places as dresser drawers, upholstered furniture, stairs and baseboards. It can also be used for extra reach with the dusting brush.



Attach wand and tools

Attach tool to the hose (F) by pushing it firmly onto hose.

Twist wand or tool slightly to tighten or loosen the connection.



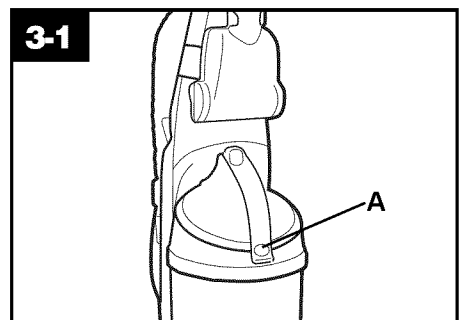
Combination tool

Slide brush to remove.

To replace brushes, align brush with grooves on tool. Slide brush into place.

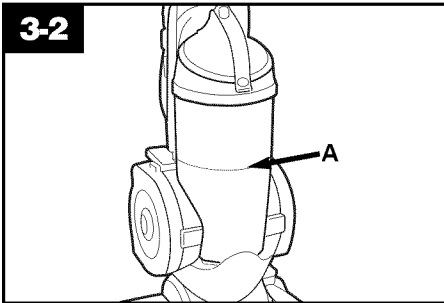
3. Maintenance

Familiarize yourself with these home maintenance tasks as proper use and care of your cleaner will ensure continued cleaning effectiveness.



Air flow indicator

The indicator (A) will show red when the dirt cup is full or there is a blockage or clog in the system. **Turn cleaner OFF and unplug**. Check the dirt cup and empty if necessary. Turn cleaner back on. If the indicator still shows red, follow the instructions under "Clearing blockages".

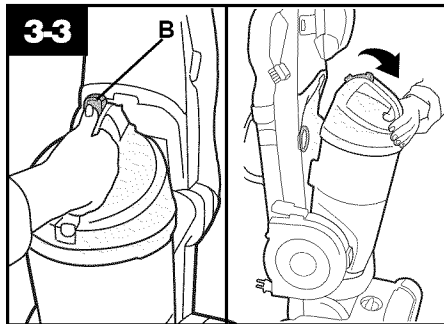


Dirt cup

When to empty

It is recommended that the dirt cup be emptied before the dirt reaches the fill line (A), or after every use if preferred.

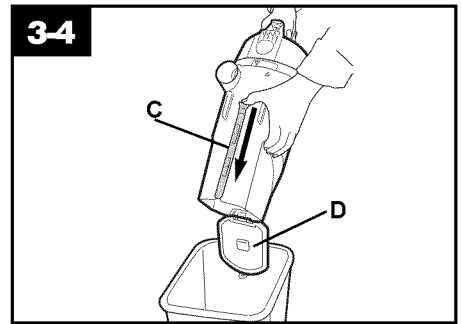
CAUTION: Very fine materials, such as face powder or cornstarch, may seal the filter and cause loss of suction. When using the cleaner for this type of dust, empty the cup and clean the filters often.



How to empty

Disconnect cleaner from electrical outlet. Do not use the cleaner without dirt cup or filters in place.

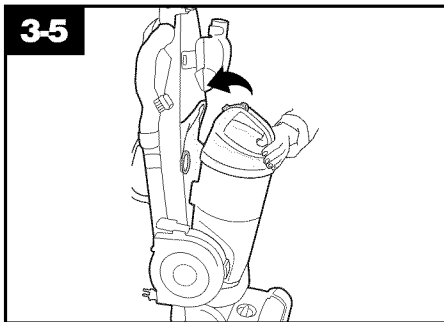
Press dirt cup release button (B) and pivot cup out.



Holding dirt cup over trash receptacle, press dirt cup door release rod (C) on back of dirt cup to open dirt cup door (D).

Empty dirt cup.

Close and snap dirt cup door shut.

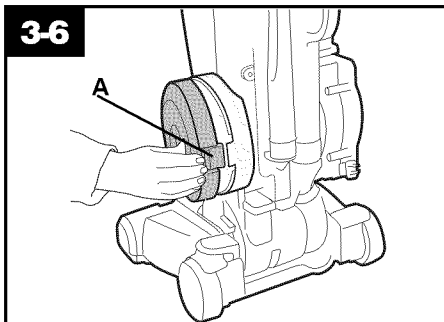


Place bottom of dirt cup in first. Pivot cup into cleaner body. Press dirt cup firmly until you hear a click to ensure that it is locked in place.

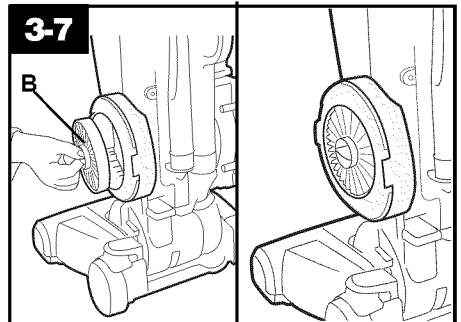
Cleaning filters

Lifetime HEPA filter

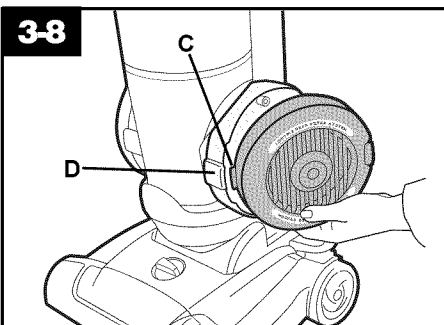
If you wish to clean this filter, it may be removed and cleaned.



Press on the tab (A) located on the side of the filter cover to remove.



Remove the HEPA filter (B) and brush with the combination tool to clean or tap side of filter against a trash receptacle. Return the HEPA filter into the filter cavity.

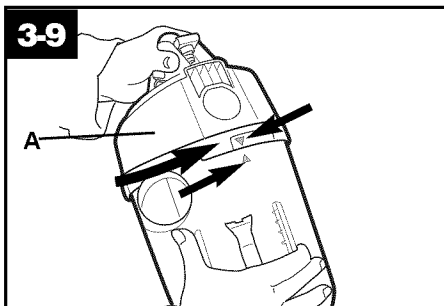


Align tab (C) on filter cover with slot (D). Press cover closed until you hear a snap.

Dirt cup filter assembly

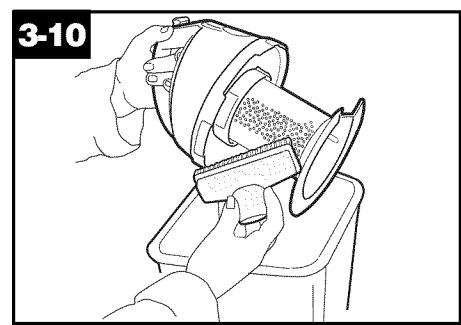
How to clean

Disconnect cleaner from electrical outlet. Do not use cleaner without dirt cup or filters in place.

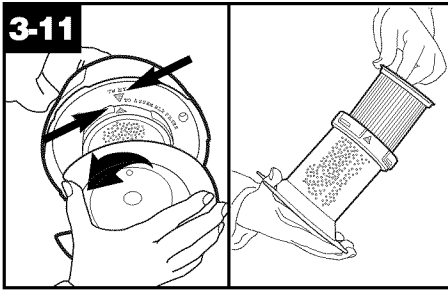


Remove dirt cup as described in Fig. 3-3.

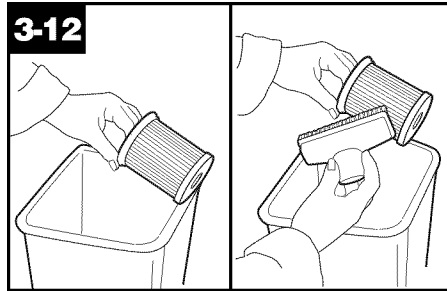
Twist dirt cup lid (A) counterclockwise until arrows on lid and dirt cup align. Remove lid with filter cartridge from dirt cup.



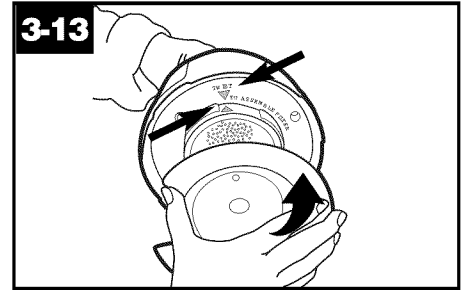
Dirt and debris can then be cleaned from the filter cartridge by brushing with the cleaner's combination tool.



Twist the filter cartridge counter-clockwise, aligning arrows on lid and cartridge. Remove pleated filter from inside cartridge.



Tap filter against side of trash container to remove dirt or brush with the cleaner's combination tool. Return pleated filter to inside the filter cartridge.

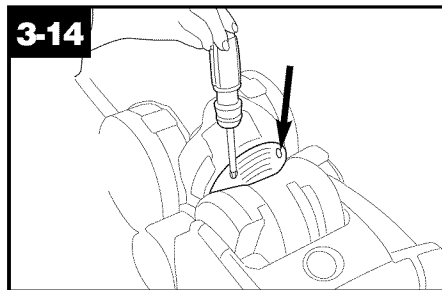


Replace the filter assembly in the dirt cup lid, aligning arrows and twisting clockwise to lock into position. Replace dirt cup lid onto dirt cup by aligning arrows on lid and dirt cup and twisting clockwise. Replace dirt cup as described in Fig. 3-5.

Headlight replacement

What to buy

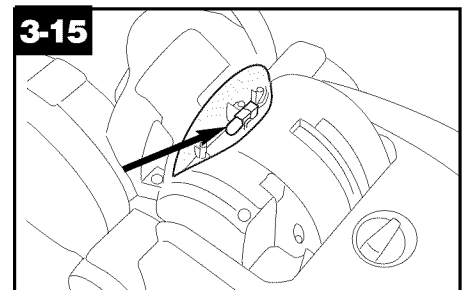
This cleaner uses a 13 volt, T-3 114 wedge base bulb, **Hoover part No. 27313107**.



Removing lens

Disconnect cleaner from electrical outlet.

Press handle release pedal and place handle in lowest position. Using a Phillips screwdriver, remove the two screws as shown and lift off lens.



Installing bulb

Pull old bulb straight out of socket. Push new bulb straight into socket until locked in place.

Excessive force is not required.

Reposition lens and secure with the screws.

Belt replacement

The belt on your Hoover cleaner causes the agitator to rotate and is important for the effective operation of the cleaner. The belt is located under the bottom plate of the cleaner and should be checked from time to time to be sure it is in good condition.

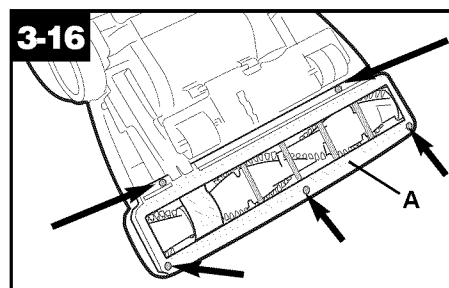
When to replace

Disconnect cleaner from electrical outlet.

To check belt, remove bottom plate as shown in Fig. 3-16. Replace belt if it is stretched, cut or broken.

What to buy

To assure effective operation, use only genuine HOOVER belts with your cleaner. When purchasing a new belt, ask for **HOOVER part No. 38528040** (belt package part No. 40201190).

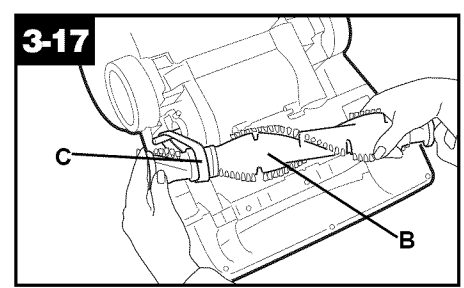


How to replace

Disconnect cleaner from electrical outlet.

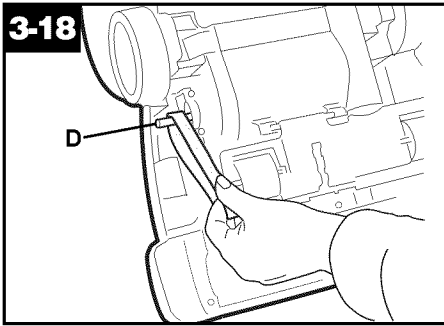
Removing bottom plate

Place handle in lowest position and turn cleaner over so bottom side is up. Remove the 5 screws as shown with a Phillips screwdriver. Lift off bottom plate (A).



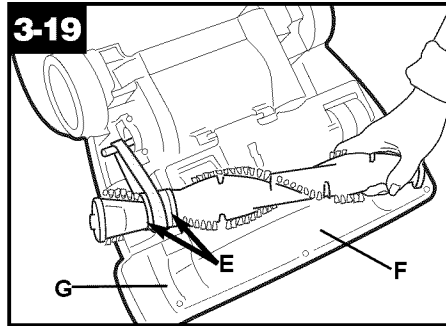
Removing belt

Remove agitator brush roll (B) and used belt (C). Discard used belt.



Installing new belt

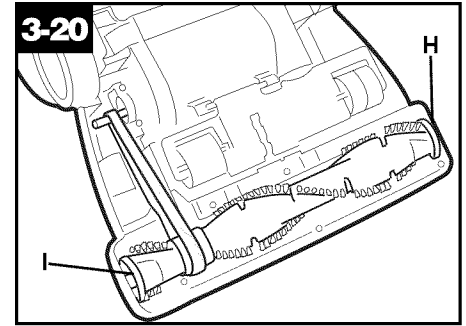
With lettering on outside of belt, and positioned as shown, slide new belt over motor pulley (D).



Replacing agitator brush roll

Insert agitator through belt and place belt in belt guide (E) on agitator.

Should the agitator shield (F) become dislodged while replacing the belt or the agitator, reposition it as shown noting the placement of its belt guide (G).

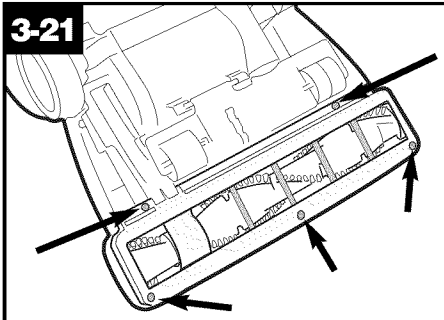


Securing agitator

Grasp agitator firmly and fit it into position by first sliding end opposite the belt into the rectangular slot (H) on side of cleaner.

Pull other side of agitator (I) into place.

Turn agitator making sure belt turns freely and is not pinched between agitator and bottom of cleaner.



Replacing bottom plate

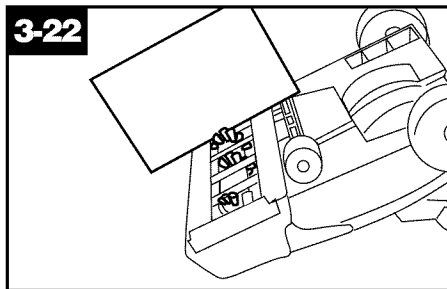
Reposition bottom plate and 5 Phillips head screws. Tighten screws securely.

The agitator brush roll

When to replace

When agitator brushes are worn, the agitator should be replaced.

To check condition of brushes, disconnect cleaner from electrical outlet.



Move edge of a card across bottom plate while turning agitator. To maintain cleaning effectiveness, replace agitator if brushes do not touch card.

What to buy

When purchasing a new agitator, ask for **HOOVER part No. 48414113**.

How to replace

Disconnect cleaner from electrical outlet.

Remove bottom plate, belt and agitator following directions in "The belt" section beginning with Fig. 3-16.

Discard old agitator.

Continue following the directions in "The belt" section to reposition belt, new agitator and bottom plate.

Lubrication

The motor is equipped with bearings that contain sufficient lubrication for the life of the motor. The addition of lubricant could cause damage. **Therefore, do not add lubricant to motor bearings.**

Thermal protector

An internal thermal protector has been designed into your cleaner to protect it from overheating.

When the thermal protector activates, the cleaner will stop running. If this happens, proceed as follows:

1. Turn the cleaner OFF and disconnect it from the electrical outlet.
2. Check filters for dirt accumulation.
3. Refer to "Clearing blockages" section.

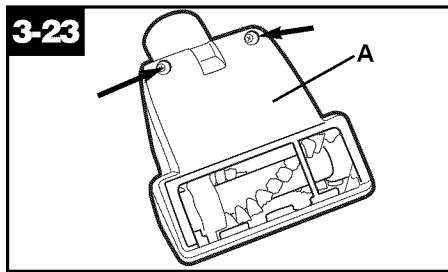
4. When cleaner is unplugged and the motor cools for 30 minutes, the thermal protector automatically resets and cleaning may continue.

If the thermal protector continues to activate after following the above steps, your cleaner may need servicing (see "Service" section).

Powered hand tool

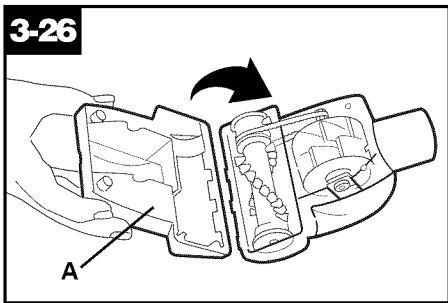
Agitator brush roll replacement

When agitator brushes are worn, the brush roll should be replaced. Ask for **HOOVER part No. 48414088**.



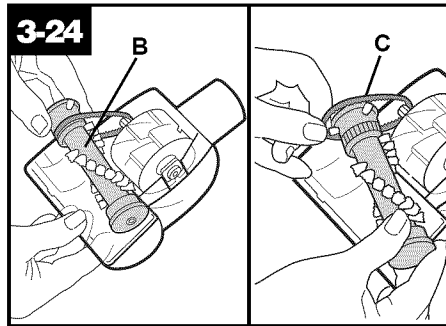
How to replace

1. **Remove tool from hose** and turn it so bottom faces up. Using a Phillips screwdriver, remove the (2) screws on either side of tool and remove bottom plate (A).



7. To replace bottom plate (A), insert the four tabs on edge of bottom plate into slots on front of tool.

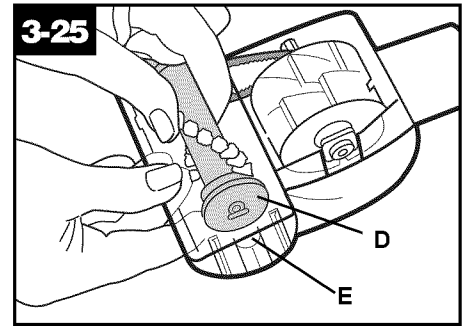
Pivot bottom plate down to close. Replace (2) screws on either side of tool.



2. Remove agitator (B) and discard.

3. Inspect belt to ensure that it is in good condition. If belt is cracked, gouged or broken, replace it (see following section).

4. Insert brush roll through belt and position belt over gear teeth (C) on brush roll.



6. With curved ends down (arrows pointing up), slide end plates (D) of brush roll into slots (E) on tool.

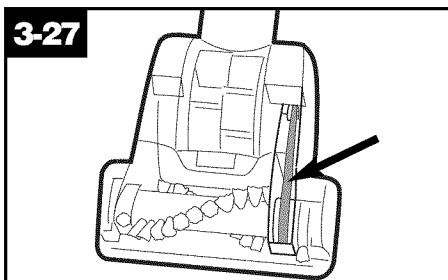
Turn agitator to make sure it rotates freely.

Powered hand tool

Belt replacement

Inspect the belt

The powered hand tool belt is designed to last a long time and is not normally replaced. However, if the belt is cracked, gouged or broken, it should be replaced.

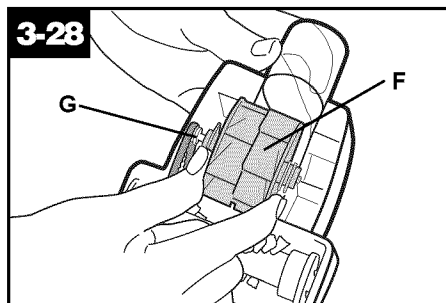


Remove tool from hose. The belt can be seen through the top of the nozzle or by removing the bottom plate (Figs. 3-23).

Replace belt

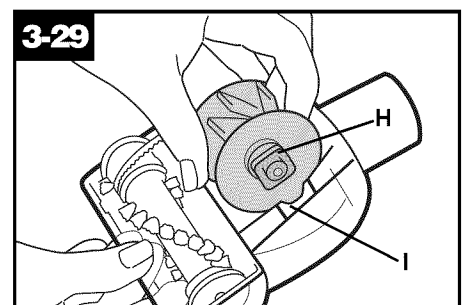
When replacing belt, ask for **HOOVER part No. 38528037**.

1. **Remove tool from hose.** Remove bottom plate and brush roll as described in Figs. 3-23 and 3-24.



2. Grasp turbine (F) and pull to remove.

3. Remove belt from turbine pulley (G). Replace with new belt.



4. Press turbine retainers (H) into grooves (I) on tool housing.

5. Replace brush roll and bottom plate as described in Figs. 3-24 through 3-26.

Service

To obtain approved HOOVER service and genuine HOOVER parts, locate the nearest **Hoover Sales and Service Center or Authorized Hoover Warranty Service Dealer (Depot)** by:

- checking the Yellow Pages under "Vacuum Cleaners - Household" OR -
- checking the list of Sales and Service Centers provided with this cleaner OR -
- checking the Service section of Hoover on-line at **www.hoover.com** OR -
- calling 1-800-944-9200 for an automated referral of authorized service outlet locations (U.S. only).

Do not send your cleaner to Hoover in Newton, Iowa for service, this will only result in delay.

If further assistance is needed, contact the Hoover Consumer Response Center, Phone: 1-330-499-9499.

In Canada, contact Hoover Canada, Burlington, Ontario L7R 4A8, Phone: 1-800-263-6376.

Always identify your cleaner by the **complete** model number when requesting information or ordering parts. (The model number appears on the back of the cleaner.)

4. If you have a problem

If a minor problem occurs, it usually can be solved quite easily when the cause is found by using the check-list below.

Problem: Cleaner won't run

Possible Cause

Possible Solution

- **Not firmly plugged in**
- *Plug unit in firmly*
- **No voltage in wall receptacle**
- *Check fuse or breaker*
- **Blown fuse or tripped breaker**
- *Replace fuse or reset breaker*
- **Thermal protector activated**
- *Unplug cleaner and allow cleaner to cool for 30 minutes (this will reset the thermal protector)*

Problem: Cleaner/tools won't pick up

Possible Cause

Possible Solution

- **Broken or worn belt**
- *Replace belt*
- **Agitator brush roll worn**
- *Replace brush roll*
- **Dirt cup full**
- *Empty dirt cup*
- **Filters dirty**
- *Clean filters*
- **Incorrect carpet height setting**
- *Move nozzle control knob to lower setting*
- **Blockage in air flow passages**
- *Clear blockage*

Problem: Cleaner hard to push

Possible Cause

Possible Solution

- **Incorrect carpet height setting**
- *Move carpet height control to a higher setting*

Problem: Smoky/burning smell detected

Possible Cause

Possible Solution

- **Belt broken or stretched**
- *Replace agitator brush roll belt as described in Figs. 3-16 through 3-21 in the Maintenance section*

Problem: Powered hand tool brush roll won't turn

Possible cause

Possible solution

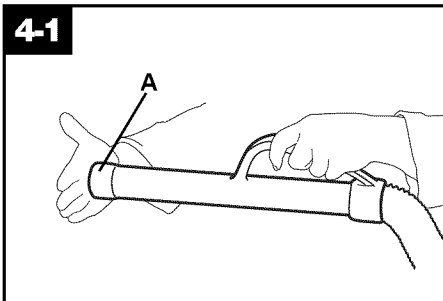
- **Too much pressure being applied to tool**
- *Continue using tool applying **light** pressure.*
- **Blockage in turbine channel**
- *Remove blockage.*
- **Broken or worn belt**
- *Replace belt*
- **Low cleaner suction**
- *Check items under "Cleaner won't pick up".*

Clearing blockages

Disconnect cleaner from electrical outlet.

Low suction or pick up may be due to a blockage in the system. Refer to the following steps to check for blockages **continuing with each step until the blockage is found:**

1. Check fullness of dirt cup; empty if needed.

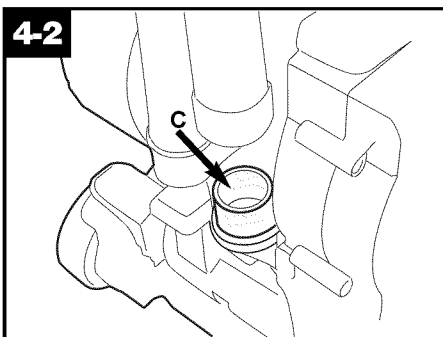


Checking airflow path

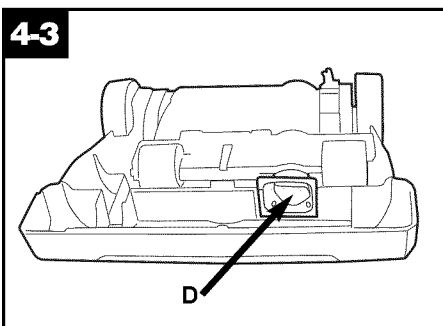
2. Plug cleaner in and turn ON. Check for suction at end of hose (A).

If there is **suction**, continue with step 3.

If there is **no suction**, check for blockage in hose and dirt tube as follows:



3. Turn cleaner OFF and unplug. Check connection at hose tube (C); remove any blockage.



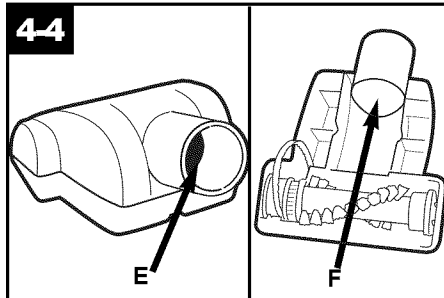
Checking under bottom plate

4. Turn cleaner OFF and unplug.
5. Remove bottom plate, belt and agitator (Figs. 3-15 and 3-16).

Look into opening (D) for blockages and remove.

6. Remove agitator shield (see Fig. 3-18) and remove any loose debris which may have accumulated under it.

If a blockage occurs during powered hand tool use:



11. Disconnect powered hand tool from hose. Check tool connector opening (E) for blockage and remove.

Remove bottom plate and turbine as described in Figs. 3-21 and 3-26.

Remove any blockage from turbine channel (F).

Replace belt, turbine, brush roll, and bottom plate.

Full One Year Warranty (Domestic Use)

Your HOOVER® appliance is warranted in normal household use, in accordance with the Owner's Manual against original defects in material and workmanship for a period of one full year from date of purchase. This warranty provides, at no cost to you, all labor and parts to place this appliance in correct operating condition during the warranted period. This warranty applies when the appliance is purchased in the United States including its territories and possessions, or in Canada or from a U. S. Military Exchange. Appliances purchased elsewhere are covered by a limited one year warranty which covers the cost of parts only. This warranty does not apply if the appliance is used in a commercial or rental application.

This warranty only applies when the product is in use in the country or territory in which it is purchased.

Warranty service can only be obtained by presenting the appliance to one of the following authorized warranty service outlets. Proof of purchase will be required before service is rendered.

1. Hoover Sales and Service Centers.
2. Hoover Authorized Warranty Service Dealers (Depots).

For an automated referral of authorized service outlets in the U.S.A., phone 1-800-944-9200 OR

visit Hoover on-line at www.hoover.com

This warranty does not cover pick up, delivery, or house calls; however, if you mail your appliance to a Hoover Sales and Service Center for warranty service, transportation will be paid one way.

While this warranty gives you specific legal rights, you may also have other rights which vary from state to state.

If further assistance is needed, or if there are questions concerning this warranty or the availability of warranty service outlets, phone the Hoover Consumer Response Center, 1-330-499-9499.

In Canada, contact Hoover Canada, Burlington, Ontario L7R 4A8, 1-800-263-6376.

Aspiradora vertical Elite™ Rewind™

Gracias por haber elegido un producto HOOVER®

Anote los números COMPLETOS de modelo y serie a continuación.

Modelo _____

Número de serie _____

Consejo: Adjunte su recibo de compra a este Manual del propietario.

Para obtener el servicio de garantía de su producto HOOVER puede requerirse la verificación de la fecha de compra.

Asegúrese de llenar y devolver la tarjeta adjunta de registro del producto incluida con su aspiradora (vea la contraportada).

Manual del propietario

ESPAÑOL → p. 13-19

Contenido

Ensamblado de la aspiradora.....	14
Contenido de la caja	14
Descripción de la aspiradora	14
Cómo usar la aspiradora	14-16
Accesorios de limpieza	15
Si tiene un problema	18-19
Salvaguardias importantes	13
Lubricación.....	17
Mantenimiento	16
Servicio autorizado	18
Limpieza de los filtros	16
Eliminación de obstrucciones	19
Vaciado del depósito para polvo	16
Reemplazo del rodillo de escobillas del agitador	17
Reemplazo de la correa.....	17
Reemplazo del rodillo de escobillas del agitador del accesorio de mano turboaccionado	17-18
Reemplazo de la correa del accesorio de mano turboaccionado	18
Reemplazo de la luz delantera	16
Protector térmico.....	17
Garantía	19
Formulario de pedido de piezas y accesorios por correo	22

Lea este manual antes de hacer funcionar la aspiradora.



¡Salvaguardas importantes!

Al usar un aparato eléctrico, observe siempre las precauciones básicas, incluyendo las siguientes:

LEA TODAS LAS INSTRUCCIONES ANTES DE USAR ESTE APARATO

ADVERTENCIA: Para reducir el riesgo de incendios, choques eléctricos o lesiones:

- No use este aparato a la intemperie ni en superficies mojadas.
- Es necesaria una supervisión estricta cuando cualquier aparato es utilizado por los niños o cerca de ellos. No permita que la aspiradora sea usada como un juguete ni que funcione sin atención en ningún momento.
- Mantenga el cabello, la ropa holgada, los dedos de las manos y pies y todas las partes del cuerpo alejados de las aberturas, del agitador rotatorio y otras piezas en movimiento. No haga funcionar la aspiradora descalzo ni cuando calce sandalias o zapatos que dejen los dedos de los pies al descubierto.
- No aspire nada que se esté quemando o echando humo, como cigarrillos, cerillos o cenizas calientes.
- No use este aparato para aspirar materiales inflamables o combustibles como gasolina o restos de madera lijada ni en áreas donde pudieran encontrarse presentes.
- Evite recoger objetos duros o afilados con la aspiradora. Éstos pueden dañar la aspiradora.
- Apague siempre este aparato antes de conectar o desconectar la manguera.
- Desenchufe la aspiradora antes de conectar el accesorio de mano turboaccionado.
- No use la aspiradora sin tener el depósito para polvo o los filtros en su lugar. Cambie el depósito y limpie los filtros con frecuencia cuando aspire materiales muy finos como talco.
- Tenga especial cuidado al limpiar escaleras.
- No coloque ningún objeto en las aberturas. No la use con ninguna abertura obstruida; manténgala libre de polvo, pelusa, cabello o cualquier cosa que pueda reducir el flujo de aire.
- No la jale ni la transporte por el cordón, ni tampoco use el cordón como mango, no cierre la puerta sobre el cordón ni jale el mismo alrededor de bordes afilados ni esquinas. No pase el aparato sobre el cordón. Mantenga el cordón alejado de las superficies calientes.
- Desenchufe siempre el cordón de la toma de corriente eléctrica antes de prestar servicio a la aspiradora.
- Desenchufe el cordón cuando la aspiradora no esté en uso. Antes de desenchufarla, apague todos los controles.
- No la desenchufe jalando el cordón. Para desenchufarla, sujete el enchufe y no el cordón. Nunca toque el enchufe ni el aparato con las manos mojadas.
- Sujete el enchufe mientras rebobina el cordón para evitar que éste dé latigazos.
- No se recomienda el uso de cordones de extensión.
- No use el aparato si el cordón o el enchufe está dañado. Si el aparato no está funcionando apropiadamente, se ha dejado caer, se ha dañado, se ha dejado a la intemperie o se ha dejado caer en agua, llévelo a un Centro de ventas y servicio de Hoover o a un Concesionario autorizado de servicio de garantía de Hoover (Depósito).
- Use la aspiradora solamente para lo que ha sido diseñada según se describe en las instrucciones. Use solamente los accesorios recomendados por Hoover; el uso de otros accesorios puede ser peligroso.

ADVERTENCIA: Este producto contiene sustancias químicas conocidas en el estado de California por ser causantes de cáncer. *Lávese las manos después de manipularlo.*

¡Guarde estas instrucciones!

Use estas instrucciones en español junto con las figuras provistas en el manual de inglés.

Si necesita asistencia:

Visite www.hoover.com. Haga clic en el botón "Service" para encontrar el centro de servicio más cercano a usted O

Llame al **1-800-944-9200** para obtener una referencia automatizada de las ubicaciones de los centros de servicio autorizados (solamente en EE.UU.) O

Llame al 1-330-499-9499 para hablar con un representante en nuestro Centro de respuesta al cliente.

Por favor, no devuelva este producto a la tienda.

Ensamblado de la aspiradora

1-1

Contenido de la caja

- A. Sección del mango y tornillo (fijado con cinta en el mango)
- B. Cuerpo de la aspiradora
- C. Accesorios de limpieza
- D. Manguera

Saque todos los componentes de la caja e identifique cada pieza que se muestra.

Asegúrese de encontrar todas las piezas antes de desechar el material de embalaje.

1-2

Coloque el mango

Deslice la sección del mango (A) sobre la parte posterior del mango.

1-3

Empuje el tornillo en el agujero de la parte posterior del mango. Apriete bien el tornillo con un destornillador Phillips.

1-4

Coloque los accesorios

El sujetador (B) para el accesorio de mano turboaccionado se encaja en las lengüetas de la parte delantera del mango. Asegúrese de que el sujetador

esté debidamente colocado como se muestra en el dibujo.

1-5

Coloque el accesorio de mano turboaccionado (C) en el sujetador como se muestra.

1-6

Coloque el accesorio combinado (D) en la abertura de la parte posterior del mango.

El accesorio para hendiduras (E) se desliza sobre el poste (F) en la parte posterior de la aspiradora.

1-7

Coloque el mango

Alinee el extremo de la manguera con las proyecciones encima de las ranuras en el tubo de polvo en la parte posterior de la aspiradora. Gírelo para trazarlo en su lugar.

El conector de la manguera permite que ésta gire.

1-8

Enrolle la manguera sobre el gancho (G).

Empuje firmemente el extremo de la manguera (H) en el tubo (I) como se muestra.

2. Cómo usar la aspiradora

2-1

Descripción de la aspiradora

1. Asidero del mango
2. Accesorio de mano turboaccionado
3. Botón para soltar el depósito para polvo
4. Asa para transportar/mango del depósito para polvo
5. Indicador de flujo de aire
6. Conjunto del depósito para polvo
7. Filtro HEPA de larga duración
8. Luz delantera
9. Perilla de control de la boquilla: gire la perilla a la posición correcta para la altura de la alfombra que está aspirando.
10. Boquilla para muebles: ayuda a evitar que la aspiradora haga marcas en los muebles.
11. Bobina para el cordón

12. Botón para rebobinar el cordón: presione el botón para rebobinar el cordón para guardarlo. Sujete el enchufe hasta que el cordón esté enrollado.

13. Gancho para el cordón

14. Manguera

15. Soporte para la manguera

16. Accesorio combinado

17. Accesorio para hendiduras

18. Asa de la manguera

19. Pedal de encender/apagar

20. Pedal para soltar el mango: pise el pedal para bajar el mango a la posición de funcionamiento o baja.

Haga funcionar la aspiradora solamente con el voltaje especificado en la placa de datos que se encuentra en su parte posterior.

Esta aspiradora ha sido diseñada para uso doméstico.

Enchufe polarizado

Para disminuir el riesgo de choque eléctrico, este aparato tiene un enchufe polarizado (una patilla es más ancha que la otra). Este enchufe podrá introducirse en una toma de corriente polarizada, sólo de una manera. Si el enchufe no encaja completamente en la toma de corriente, invírtalo. Si aun así no encaja, comuníquese con un electricista calificado para que le instale la toma de corriente adecuada. No modifique el enchufe de manera alguna.

2-2

Pedal de encender/apagar

Tome el extremo del enchufe (A) y jálelo a la longitud deseada del cordón. Enchufe el cordón en una toma de corriente eléctrica.

Para encender la aspiradora (ON), pise el pedal de encender y apagar (B) una vez.

Para apagar la aspiradora, pise el pedal de nuevo.

2-3

Enrollado del cordón

Tome el extremo del enchufe y jálelo para soltar el cordón de su bobina. Cuando consiga la longitud deseada del cordón, éste se trazará en su lugar.

Para guardar el cordón, **sujete el enchufe** y presione el botón (C) en la parte superior de la bobina para el cordón. **Para evitar que el cordón dé latigazos, sujete el enchufe hasta que el cordón esté enrollado.**

2-4

Traslado de la aspiradora

Para mover la aspiradora de una habitación a otra, coloque el mango en la posición vertical, incline la aspiradora hacia atrás sobre las ruedas traseras y empujela hacia delante.

2-5

Transporte de la aspiradora

También se puede mover la aspiradora usando el asidero de transporte, ubicado encima del depósito para polvo.

2-6

Posiciones del mango

El mango de su aspiradora tiene tres posiciones: **vertical**, para guardarla y usar los accesorios de limpieza; **posición de funcionamiento**, para uso general sobre alfombras y pisos; y **baja**, para aspirar debajo de muebles de poca altura. Para bajar el mango, pise el pedal para destrabarlo.

2-7

Ajuste de la altura para alfombras

La limpieza de las alfombras de pared a pared y de área tiene lugar en la boquilla (A).

Cuando sea necesario elevar y bajar la boquilla para limpiar alfombras de distintos espesores, coloque el mango en posición vertical y gire la perilla de control de la boquilla (B) a la posición deseada.

La boquilla no se moverá a la posición de ajuste hasta después de bajar el mango de la aspiradora a la posición de funcionamiento.

2-8

Posiciones

HIGH CARPET—Alfombra alta

LOW/HARD SURFACE—Baja/Superficie dura

Para obtener el máximo rendimiento de limpieza, se recomiendan las siguientes posiciones según la altura de la alfombra:

- **Posición más baja:** para todo tipo de alfombras y pisos con revestimientos duros.

Nota: Si le cuesta mucho empujar la aspiradora, gire la perilla a la siguiente posición más alta.

- **Posiciones más altas:** para alfombras de gran espesor, en cuyo caso se desea facilitar el esfuerzo al empujar para mantener una buena limpieza.

2-9

Limpieza de alfombras livianas y flexibles

Párese sobre un extremo de la alfombra y pase la aspiradora hacia el otro extremo o borde. Antes de llegar al borde, empuje el mango hacia abajo. Esto levantará la boquilla (parte delantera de la aspiradora) como se muestra y evitará que la alfombra se adhiera a la aspiradora. Continúe levantando la boquilla de modo que cuando llegue al borde esté completamente separada de la alfombra. Retroceda la aspiradora para comenzar otra vez, baje la boquilla y pásela solamente hacia delante.

2-10

Limpieza de escaleras

Use la manguera y el accesorio de mano turboaccionado para limpiar las escaleras. Limpie de abajo hacia arriba.

Durante el uso de los accesorios de limpieza, el agitador continúa girando.

PRECAUCIÓN: Para evitar lesiones personales o el desgaste innecesario de la alfombra, y para impedir que se caiga la aspiradora, colóquela siempre en la parte inferior de las escaleras.

Accesorios de limpieza

Los accesorios le permiten limpiar superficies que están a mayor altura que el piso y llegar a áreas difíciles de limpiar. La aspiradora está lista para usarse con los accesorios cuando **el mango está en posición vertical.**

PRECAUCIÓN: El agitador continúa girando mientras el mango de la aspiradora está en posición vertical. Al usar los accesorios, evite inclinar la aspiradora o colocarla sobre muebles, alfombras con flecos o escaleras alfombradas.

Cómo limpiar los accesorios

Para limpiar la manguera y el accesorio de mano turboaccionado, limpie el polvo con un paño humedecido en detergente suave. Enjuague con un paño húmedo.

NO sumerja el accesorio de mano turboaccionado en agua.

Los accesorios de limpieza se pueden lavar en agua tibia con un detergente. Enjuáguelos y deje que se sequen al aire libre antes de usarlos.

2-11

Para sacar la manguera

Cuando use los accesorios de limpieza, **el mango de la aspiradora deberá estar en posición vertical. Asimismo, apague la aspiradora antes de desconectar y conectar la manguera al tubo de la manguera (A).**

Para usar la manguera, levante el extremo de la manguera (B) como se muestra.

Cuando haya terminado de limpiar con los accesorios, vuelva a colocar el extremo de la manguera sobre el tubo.

2-12

Selección del accesorio apropiado

C. Uso del accesorio combinado con la escobilla incluida para muebles tallados, superficies de las mesas, libros, lámparas, accesorios de iluminación, persianas venecianas, zócalos, postigos de ventanas y rejillas de ventilación. Saque la escobilla para limpiar muebles tapizados, cortinajes, colchones, prendas de vestir y escaleras alfombradas.

D. El accesorio de mano turboaccionado se puede usar para muebles tapizados, cortinas, colchones, prendas de vestir, interiores de automóviles y escaleras alfombradas.

E. El accesorio para hendiduras se puede usar en lugares estrechos, esquinas y en los bordes de sitios como cajones de cómodas, muebles tapizados, escaleras y zócalos. También se puede usar para dar alcance adicional a la escobilla para desempolvar.

2-13

Colocación del tubo de extensión y de los accesorios

Coloque el accesorio en la manguera (F), empujándolo firmemente sobre la manguera.

Gire el tubo de extensión o el accesorio ligeramente para apretar o aflojar la conexión.

2-14

Accesorio combinado

Deslice la escobilla para sacarla.

Para volver a colocar las escobillas, alinee la escobilla con las acanaladuras del accesorio. Deslice la escobilla en su lugar.

3. Mantenimiento

Familiarícese con estas tareas de mantenimiento en el hogar, ya que el uso y cuidado adecuados de su aspiradora asegurarán la eficacia en la limpieza por largo tiempo.

3-1

Indicador de flujo de aire

El indicador (A) mostrará el color rojo cuando el depósito para polvo esté lleno o haya un bloqueo o una obstrucción en el sistema. **Apague la aspiradora** y desconéctela. Verifique el depósito para polvo y vacíelo si es necesario. Vuelva a encender la aspiradora. Si el indicador sigue mostrando el color rojo, siga las instrucciones de la sección "Eliminación de obstrucciones".

3-2

Depósito para polvo Cuándo vaciarlo

Se recomienda que el depósito para polvo se vacíe antes que lo aspirado llegue hasta la línea punteada, en la parte posterior del depósito para polvo o, si se prefiere, después de cada uso.

PRECAUCIÓN: Los materiales muy finos, tales como el talco facial o la maicena, podrían sellar el filtro y ocasionar que disminuya la succión. Cuando use la aspiradora para retirar material de esta índole, vacíe el depósito y cambie los filtros a menudo.

3-3

Cómo vaciarlo

Desconecte la aspiradora de la toma de corriente eléctrica. **No use la aspiradora sin tener el depósito para polvo o los filtros en su lugar.**

Presione el botón para soltar el depósito para polvo (B) y gire para sacar el depósito.

3-4

Sujetando el depósito para polvo sobre el recipiente de basura, oprima la varilla para soltar la puerta del depósito para polvo (C) en la parte posterior del depósito para abrir la puerta del depósito para polvo (D).

Vacíe el depósito para polvo.

Encaje la puerta del depósito para polvo para cerrarla.

3-5

Coloque primero la parte inferior del depósito para polvo. Gire el depósito para insertarlo en el cuerpo de la aspiradora.

Presione el depósito para polvo firmemente hasta que escuche un chasquido para asegurarse de que está trabado en su lugar.

Limpieza de los filtros

Filtro HEPA de larga duración

Sin embargo, si desea limpiar este filtro, puede sacarlo para limpiarlo.

3-6

Presione la lengüeta (A) ubicada en el costado de la cubierta del filtro para sacarlo.

3-7

Saque el filtro HEPA (B) y cepíllelo con el accesorio combinado para limpiarlo o golpee el costado del filtro contra un recipiente de basura. Instale el filtro HEPA de nuevo en la cavidad del filtro.

3-8

Alinee la lengüeta (C) de la cubierta del filtro con la ranura (D). Cierre la cubierta presionándola hasta escuchar que encaja.

Conjunto del filtro del depósito para polvo

Cómo limpiarlo

Desconecte la aspiradora de la toma de corriente eléctrica. No use la aspiradora sin tener el depósito para polvo o los filtros en su lugar.

3-9

Saque el depósito para polvo como se describe en la figura 3-3.

Gire la tapa del depósito para polvo (A) en sentido contrario a las agujas del reloj hasta que las flechas de la tapa y el depósito para polvo se alineen. Saque la tapa con el cartucho del filtro del depósito para polvo.

3-10

La suciedad y los residuos se pueden limpiar del cartucho del filtro cepillándolo con el accesorio combinado de la aspiradora.

3-11

Gire el cartucho del filtro en sentido contrario a las agujas del reloj, alineando las flechas de la tapa y el cartucho. Saque el filtro plisado del interior del cartucho.

3-12

Golpee el filtro contra el costado de un recipiente de basura para eliminar la suciedad o cepíllelo con el accesorio combinado de la aspiradora.

Vuelva a colocar el filtro plisado en el interior del cartucho de filtro.

3-13

Vuelva a colocar el conjunto del filtro en la tapa del depósito para polvo, alineando las flechas y girándolo en el sentido de las agujas del reloj para fijarlo en su lugar.

Vuelva a colocar la tapa del depósito para polvo sobre el depósito alineando las flechas de la tapa y el depósito para polvo y girándola en sentido de las agujas del reloj.

Vuelva a colocar el depósito para polvo como se describe en la figura 3-5.

Reemplazo de la luz delantera

Qué comprar

Esta aspiradora usa un bombillo de 13 voltios de base en cuña, tipo T-3114, **pieza No. 27313107 de Hoover.**

3-14

Para sacar la lente

Desconecte la aspiradora de la toma de corriente eléctrica.

Presione el pedal para soltar el mango y coloque el mango en la posición

más baja.

Con un destornillador Phillips, saque los dos tornillos como se muestra y levante la lente.

3-15

Para instalar el bombillo

Saque el bombillo usado, directamente de su receptáculo. Inserte uno nuevo y empújelo hasta que quede fijo en su lugar.

No se requiere usar fuerza excesiva.

Vuelva a colocar la lente y asegúrela con los tornillos.

Reemplazo de la correa

La correa de su aspiradora Hoover hace posible que el agitador gire y es importante para el funcionamiento eficaz de la aspiradora. Está ubicada debajo de la placa inferior de la aspiradora y se debe revisar periódicamente para asegurarse de que esté en buenas condiciones.

Cuándo reemplazarla

Desconecte la aspiradora de la toma de corriente eléctrica.

Para revisar la correa, saque la placa inferior como se muestra en la figura 3-16. Reemplace la correa si está estirada, rota o cortada.

Qué comprar

Para asegurar un funcionamiento eficaz, use solamente correas genuinas HOOVER con su aspiradora. Cuando compre una correa nueva, pida la **pieza No. 38528040 de HOOVER** (paquete de correa con número de pieza 40201190).

3-16

Cómo reemplazarla

Desconecte la aspiradora de la toma de corriente eléctrica.

Separación de la placa inferior

Coloque el mango en la posición baja y voltee la aspiradora de manera que la parte inferior esté hacia arriba. Quite los 5 tornillos con un destornillador Phillips, como se muestra. Saque la placa inferior (A).

3-17

Para sacar la correa

Saque el rodillo de escobillas del agitador (B) y la correa usada (C).

Deseche la correa usada.

3-18

Para instalar la correa nueva

Con las letras en la parte de afuera de la correa, y colocadas como se muestra, deslice la nueva correa sobre la polea del motor (D).

3-19

Reemplazo del rodillo de escobillas del agitador

Introduzca el agitador a través de la correa y coloque la correa en la guía para la correa (E) del agitador.

Si el protector del agitador (F) queda fuera de lugar mientras reemplaza la correa o el agitador, vuelva a colocarlo como se muestra, observando la ubicación de la guía para la correa (G).

3-20

Para sujetar de manera segura el agitador

Sujete firmemente el agitador y colóquelo en posición, deslizando primero el extremo opuesto de la correa en la ranura rectangular (H) al costado de la aspiradora.

Jale el otro lado del agitador (I) para ponerlo en su lugar.

Gire el agitador, asegurándose que la correa gire libremente y no quede presionada entre el agitador y la parte inferior de la aspiradora.

3-21

Reposición de la placa inferior

Vuelva a poner en posición la placa inferior y los cuatro (5) tornillos Phillips. Apriete bien los tornillos.

El rodillo de escobillas del agitador

Cuándo reemplazarlo

El agitador se debe reemplazar cuando las escobillas del agitador estén gastadas.

Para revisar la condición de las escobillas, **desconecte la aspiradora de la toma de corriente eléctrica.**

3-22

Pase el borde de una tarjeta a lo ancho de la placa inferior, mientras hace girar el agitador. Para mantener una limpieza eficaz, reemplace el agitador si las escobillas no tocan la tarjeta.

Qué comprar

Cuando compre un agitador nuevo, pida la **pieza No. 59157074 de HOOVER.**

Cómo reemplazarlo

Desconecte la aspiradora de la toma de corriente eléctrica. Saque la placa inferior, la correa y el agitador siguiendo las instrucciones de la sección "Cómo reemplazarla", comenzando con la figura 3-16.

Deseche el agitador usado.

Continúe siguiendo las instrucciones de la sección "Cómo reemplazarla" para volver a colocar la correa, el agitador nuevo y la placa inferior en su lugar.

Lubricación

El motor tiene cojinetes que cuentan con suficiente lubricación para la vida útil del motor. La adición de lubricantes podría causar daños. **Por lo tanto, no añada lubricante a los cojinetes del motor.**

Protector térmico

Su aspiradora tiene incorporado un protector térmico para impedir el sobrecalentamiento.

Cuando el protector térmico se activa, la aspiradora deja de funcionar. Si esto sucede, proceda de la siguiente manera:

1. **Apague la aspiradora y desconéctela de la toma de corriente eléctrica.**
2. Revise si se ha acumulado polvo en los filtros.
3. Consulte la sección "Eliminación de obstrucciones".
4. **Una vez que la aspiradora esté desconectada y el motor se haya enfriado durante 30 minutos, el protector térmico se activa automáticamente y se puede seguir pasando la aspiradora.**

Si el protector térmico sigue activándose después de efectuar los pasos anteriores, es probable que su aspiradora necesite reparación (vea la sección "Servicio").

Accesorio de mano turboaccionado

Reemplazo del rodillo de escobillas del agitador

El rodillo de escobillas se debe reemplazar cuando las escobillas del agitador estén gastadas. Pida la **pieza HOOVER no. 59157035.**

3-23

Cómo reemplazarlo

1. Saque el accesorio de la manguera y voltéelo de manera que la parte inferior mire hacia arriba. Con un destornillador Phillips, saque los (2) tornillos de ambos costados del accesorio y saque la placa inferior (A).

3-24

2. Saque el agitador (B) y deséchelo.
3. Inspeccione la correa para verificar que esté en buenas condiciones. Si la correa está agrietada, estriada o rota, reemplácela (vea la siguiente sección).
4. Introduzca el rodillo de escobillas a través de la correa y coloque la correa sobre los dientes del engranaje (C) del rodillo de escobillas.

3-25

5. Con los extremos curvados hacia abajo (con las flechas hacia arriba), deslice las placas de extremo (D) del rodillo de escobillas en las ranuras (E) del accesorio.

Gire el agitador para asegurarse de que se mueve libremente.

3-26

6. Para volver a colocar la placa inferior (A), inserte las cuatro lengüetas del borde de la placa inferior en las ranuras de la parte delantera del accesorio.
Gire la placa inferior hacia abajo para cerrarla. Vuelva a colocar los (2) tornillos en ambos costados del accesorio.

Accesorio de mano turboaccionado

Reemplazo de la correa Inspección de la correa

La correa del accesorio de mano turboaccionado ha sido diseñada para una larga duración y normalmente no se tendrá que reemplazar. Sin embargo, si la correa está agrietada, estriada o rota, se deberá reemplazar.

3-27

Saque el accesorio de la manguera. La correa se puede ver a través de la parte superior de la boquilla o sacando la placa inferior (figura 3-23).

Reemplace la correa

Al reemplazar la correa, pida la **pieza No. 59157045 de HOOVER.**

1. Saque el accesorio de la manguera. Saque la placa inferior y el rodillo de escobillas como se describe en las figuras 3-23 y 3-24.

3-28

2. Sujete la turbina (F) y jale con fuerza para sacarla.
3. Saque la correa de la polea de la turbina (G). Reemplácela con una correa nueva.

3-29

4. Presione los dispositivos de retención de la turbina (H) en las acanaladuras (I) del compartimiento para accesorios.
5. Vuelva a colocar el rodillo de escobillas y la placa inferior como se describe en las figuras 3-24 a 3-26.

Servicio

Para obtener el servicio aprobado HOOVER y piezas genuinas HOOVER, localice el **Centro de ventas y servicio de Hoover o el Concesionario autorizado de servicio de garantía de Hoover (Depósito) más cercano**, ya sea:

- consultando las páginas amarillas de la guía de teléfonos, bajo "Aspiradoras -Domésticas" ("Aspiradoras - Artículos del hogar") O -
- revisando la lista de Centros de ventas y servicio de Hoover provista con esta aspiradora O -
- consultando la sección "Service" (Servicio) de Hoover en Internet, **www.hoover.com** O -
- llamando al 1-800-944-9200 para obtener una referencia automatizada de las ubicaciones de los centros de servicio autorizados (solamente en EE.UU.).

No envíe su aspiradora a Hoover en Newton, Iowa para obtener servicio; esto sólo ocasionará demoras.

Si necesita información adicional, comuníquese con el Centro de respuesta al cliente de Hoover, al teléfono 1-330-499-9499.

En Canadá, comuníquese con Hoover Canada, Burlington, Ontario L7R 4A8, Teléfono: 1-800-263-6376.

Al solicitar información u ordenar piezas, identifique siempre su aspiradora por el número **completo** de modelo. (El número de modelo figura en la parte posterior de la aspiradora).

4. Si tiene un problema

Si ocurre un problema menor, generalmente puede resolverse con bastante facilidad cuando se halla la causa, usando la siguiente lista de verificación.

Problema: La aspiradora no funciona

Causa posible

Solución posible

- **No está bien enchufada**
- *Enchúfela bien*
- **No hay voltaje en la toma de corriente de la pared**
- *Revise el fusible o el disyuntor*
- **Fusible quemado o se disparó el disyuntor**
- *Reemplace el fusible o reajuste el disyuntor*
- **Protector térmico activado**
- *Desenchufe la aspiradora y déjela enfriar durante 30 minutos (esto reajustará el protector térmico)*

Problema: Los accesorios de la aspiradora no aspiran

Causa posible

Solución posible

- **La correa está rota o desgastada**
- *Reemplace la correa*
- **El rodillo de escobillas del agitador está desgastado**
- *Reemplace el rodillo de escobillas*
- **El depósito para polvo está lleno**
- *Vacíe el depósito para polvo*
- **Filtros sucios**
- *Limpie los filtros*
- **Ajuste incorrecto de la altura para alfombras**
- *Mueva la perilla de control de la boquilla a una posición más baja*
- **Obstrucción en los pasos del flujo de aire**
- *Elimine la obstrucción*

Problema: Dificultad para desplazar la aspiradora

Causa posible

Solución posible

- **Ajuste incorrecto de la altura para alfombras**
- *Coloque el control de la altura para alfombras en una posición más alta*

Problema: Se detecta un olor a humo/quemado

Causa posible

Solución posible

- **Correa rota o estirada**
- *Reemplace la correa del rodillo de escobillas del agitador como se describe en las figuras 3-16 a 3-21 en la sección de Mantenimiento.*

Problema: El rodillo de escobillas del accesorio de mano turboaccionado no gira

Causa posible

Solución posible

- **Se está aplicando demasiada presión al accesorio**
- *Continúe usando el accesorio aplicando una presión ligera.*
- **Obstrucción en el canal de la turbina**
- *Elimine la obstrucción.*
- **La correa está rota o desgastada**
- *Reemplace la correa*
- **Succión baja de la aspiradora**
- *Consulte "Los accesorios de la aspiradora no aspiran".*

Eliminación de obstrucciones

Desconecte la aspiradora de la toma de corriente eléctrica.

La succión o aspiración baja se puede deber a una obstrucción en el sistema. Consulte los siguientes pasos a fin de revisar si hay obstrucciones, **siguiendo cada paso hasta que encuentre la obstrucción:**

1. Revise el nivel de llenado del depósito para polvo; vacíelo si es necesario.

4-1

Revisión del paso del flujo de aire

2. Enchufe la aspiradora y enciéndala. Revise si hay succión en el extremo de la manguera (A).

Si hay **succión**, continúe con el paso 3.

Si **no hay succión**, revise de la siguiente manera si la manguera o el tubo para el polvo están obstruidos:

4-2

3. **Apague la aspiradora y desconéctela.** Revise la conexión en el tubo de la manguera (C); elimine cualquier obstrucción.

4-3

Revisión por debajo de la placa inferior

4. **Apague la aspiradora y desconéctela.**
5. Saque la placa inferior, la correa y el agitador (figuras 3-16 y 3-17).

Mire dentro de la abertura (D) para ver si hay obstrucciones y elimínelas.

6. Saque el protector del agitador (vea la figura 3-19) y elimine cualquier desperdicio suelto que se haya podido acumular debajo de éste.

Si hay una obstrucción durante el uso del accesorio de mano turboaccionado:

4-4

7 Desconecte el accesorio de mano turboaccionado de la manguera.

Revise la abertura del conector para accesorios (E) para ver si hay obstrucciones y elimínelas.

Saque la placa inferior y la turbina como se describe en las figuras 3-22 y 3-27.

Elimine cualquier obstrucción del canal de la turbina (F).

Vuelva a colocar la correa, la turbina, el rodillo de escobillas y la placa inferior.

Garantía de un año completo (Uso doméstico)

Su aparato HOOVER® está garantizado para uso doméstico normal, según el Manual del propietario, contra defectos originales del material y fabricación por el período de un año completo a partir de la fecha de compra. Esta garantía cubre gratuitamente toda la mano de obra y las piezas necesarias para dejar este aparato en buen estado de funcionamiento durante el período de garantía. Esta garantía es válida si el aparato fue comprado en los Estados Unidos, en sus territorios y posesiones, en Canadá o en una tienda situada en una base militar de los EE.UU. Los aparatos comprados en otros lugares están cubiertos por una garantía limitada de un año que cubre solamente el costo de las piezas. Esta garantía no es válida si el aparato es utilizado para uso comercial o de alquiler.

Esta garantía solamente es válida cuando el producto se usa en el país o territorio en el cual fue comprado.

El servicio bajo garantía se puede obtener solamente al presentar el aparato en uno de los centros autorizados de servicio de garantía indicados a continuación. Se requerirá la presentación de un comprobante de compra antes de prestarle servicio.

1. Centros de ventas y servicio de Hoover.
2. Concesionarios autorizados de servicio de garantía de Hoover (Depósitos).

Para obtener una referencia automatizada de las ubicaciones de los centros autorizados de servicio en los Estados Unidos, llame al 1-800-944-9200 o bien,

visite Hoover en línea en www.hoover.com

Esta garantía no cubre la recogida, la entrega, ni las visitas a domicilio; sin embargo, si envía su aparato por correo a un Centro de ventas y servicio de Hoover para obtener un servicio bajo garantía, se pagará el transporte de ida. Si bien esta garantía le otorga derechos legales específicos, usted puede tener además otros derechos que varían de estado a estado.

Si necesita asistencia adicional, o si tiene preguntas sobre esta garantía o la disponibilidad de centros de servicio de garantía, llame al Centro de respuesta al cliente de Hoover al 1-330-499-9499.

En Canadá, comuníquese con Hoover Canadá, Burlington, Ontario L7R 4A8, 1 800 263-6376.



PARTS & ACCESSORIES MAIL ORDER FORM

Item Description	Part No.	No. in Pack	Cost/ Per Pack	No. of Packs	TOTAL
Primary filter	59157055	1	\$12.00		
Secondary filter (HEPA)	59157014	1	\$ 9.99		
Headlight bulb	27313107	1	\$ 2.49		
Agitator belt (belt part no. 38528040)	40201190	2	\$ 3.99		
Powered hand tool	59157029	1	\$18.99		
Combination tool	59157093	1	\$ 4.99		
Crevice wand	59157086	1	\$ 4.99		
TOTAL MERCHANDISE					\$
ADD YOUR APPLICABLE STATE TAX +					
SHIPPING & HANDLING +					\$ 7.50
TOTAL COST					\$



Detach this section and mail to:
THE HOOVER COMPANY
 101 East Maple St.
 North Canton, OH 44720
 Attn: Sales & Service Center

Part No.	Cost Per Pack	No. of Packs	Total
59157055	\$12.00		
59157014	\$ 9.99		
27313107	\$ 2.49		
40201190	\$ 3.99		
59157029	\$18.99		
59157093	\$ 4.99		
59157086	\$ 4.99		
TOTAL MERCHANDISE			\$
ADD YOUR APPLICABLE STATE TAX +			
SHIPPING & HANDLING +			\$7.50
TOTAL COST			\$

Replacement parts and accessory items may be purchased from your Authorized Hoover Dealer, Leading Retailers, Hoover Sales & Service Centers, on-line at www.hoover.com, or by completing this order form.

Mail orders limited to U.S. residents only.
Please allow 3-4 weeks for delivery.

The Hoover Company,
 101 East Maple St.,
 North Canton, OH 44720
 Attn: Sales & Service Center

SHIP TO: Please print your name and address carefully in ink.

Name _____

Street _____

City _____

State _____ Zip _____

PAYMENT METHOD:

Check or Money Order made payable to:
The Hoover Company

Visa MasterCard Discover

Number _____ Exp. Date _____

Name on Card _____

Signature (Required) _____

Daytime Phone & Area Code _____



Desprenda esta sección y envíela por correo a:
THE HOOVER COMPANY
 101 East Maple St.
 North Canton, OH 44720



FORMULARIO DE PEDIDO DE PIEZAS Y ACCESORIOS POR CORREO

Número de pieza	Costo/ por Paqte.	No. en Paqte.	Total
59157055	\$12.00		
59157014	\$ 9.99		
27313107	\$ 2.49		
40201190	\$ 3.99		
59157029	\$18.99		
59157093	\$ 4.99		
59157086	\$ 4.99		

MERCANCIA TOTAL \$
AÑADA SU IMPUESTO ESTATAL CORRESPONDIENTE +
GASTOS DE ENVIO + \$7.50
COSTO TOTAL \$

ENVIAR A:

Escriba su nombre y dirección en letra de imprenta con bolígrafo.

Nombre y Apellido _____

Calle _____

Ciudad _____

Estado _____ Código postal _____

FORMA DE PAGO:

- Cheque o giro postal pagadero a: **The Hoover Company**
 Visa MasterCard Discover

No. tarjeta _____ Fecha de venc _____

Nombre en la tarjeta _____

Firma (Requerida) _____

Teléfono diurno y código de área _____

Descripción del artículo

Filtro primario
 Filtro secundario (HEPA)
 Bombilla de luz delantera
 Correa del agitador (correa con número de pieza 38528040)
 Accesorio de mano turboaccionado
 Accesorio combinado
 Tubo para limpiar hendiduras

Número de pieza

No. en Paqte.

Costo/ por Paqte.

No.de Paqte.

TOTAL

59157055

1

\$12.00

59157014

1

\$ 9.99

27313107

1

\$ 2.49

40201190

2

\$ 3.99

59157029

1

\$18.99

59157093

1

\$ 4.99

59157086

1

\$ 4.99

MERCANCIA TOTAL

\$

AÑADA SU IMPUESTO ESTATAL CORRESPONDIENTE +

GASTOS DE ENVIO +

\$7.50

COSTO TOTAL

\$

Las piezas y accesorios de repuesto se pueden comprar a través del concesionario autorizado de Hoover, las principales tiendas, los Centros de ventas y servicio de Hoover, en Internet en **www.hoover.com**, o rellorando este formulario de pedido.

Se aceptan pedidos hechos por correo de residentes de EE.UU. solamente.

Permita de 3 a 4 semanas para la entrega.

The Hoover Company,
101 East Maple St.,
North Canton, OH 44720

HOOVER y  son marcas registradas

HOOVER and  are registered trademarks