

Hoover®



Constellation™

Canister Cleaner Aspirateur à traîneau

**Owner's Manual
Guide de
l'utilisateur**

ENGLISH → pp.1-10

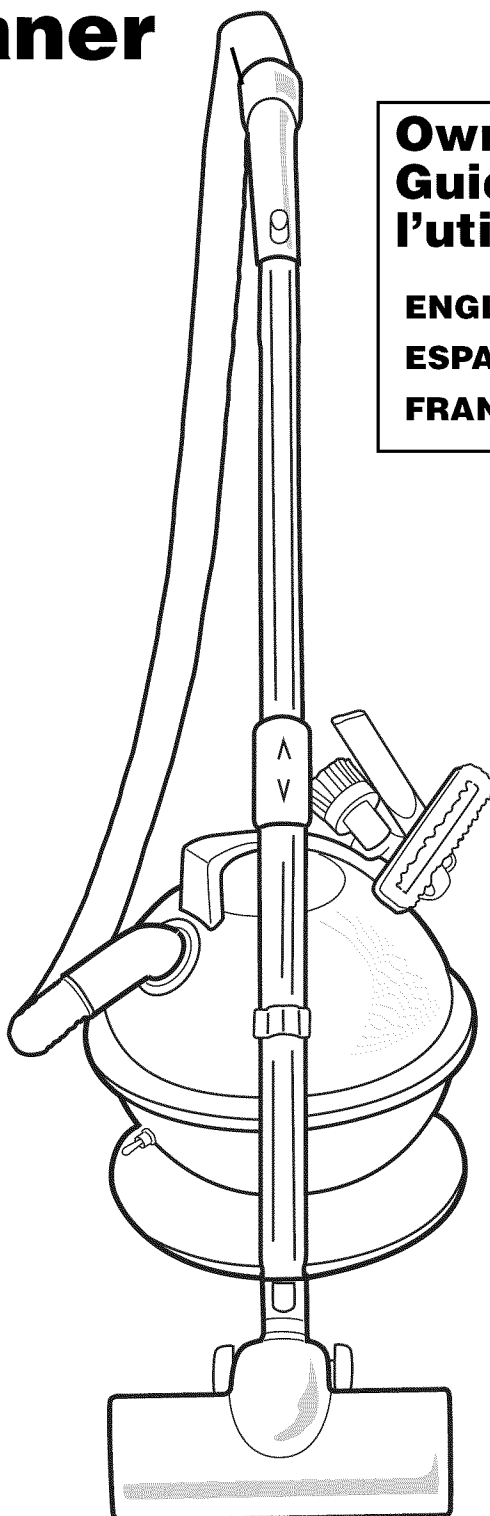
ESPAÑOL → pág. 11-17

FRANÇAIS → p. 19-25

**FULL *2* YEAR
WARRANTY**
(See Copy Where Product Sold)

**Garantie complète de
deux 2 ans**

(voir la copie là où le produit est vendu)



www.hoover.com

Au Canada - www.hoover.ca

HOOVER SALES & SERVICE CENTERS CENTRES DE VENTE ET DE SERVICE HOOVER

ALABAMA

3980B Airport Blvd.
Mobile, AL 36608
(251) 341-0304
(251) 341-0395 fax

ARIZONA

3434 West Bell Rd.
Phoenix, AZ 85053
(602) 439-2751
(602) 564-0938 fax

4881 E. Speedway Blvd.
Tucson, AZ 85712
(520) 795-5612
(520) 322-6016 fax

2136 East Baseline Rd.
Suite B-1
Mesa, AZ 85204
(480) 633-0622
(480) 633-0626 fax

CALIFORNIA

1047 N. State College Blvd.
Anaheim, CA 92806
(714) 635-5710
(714) 635-8432 fax

1803A El Camino Real
Burlingame, CA 94010
(650) 652-7810
(650) 652-7811 fax

1660 Contra Costa Blvd.
Suite C
Pleasant Hill, CA 94523
(925) 674-1206
(925) 674-1304 fax

17498 Hawthorne Blvd.
Torrance, CA 90504
(310) 921-6523
(310) 921-6533 fax

1834 Fulton Ave.
Sacramento, CA 95825
(916) 481-4860
(916) 481-1528 fax

3628 Geary Blvd.
San Francisco, CA 94118
(415) 668-5101
(415) 668-5976 fax

699 Lewelling Blvd
Suite 182
San Leandro, CA 94579
(510) 346-2400
(510) 346-2402 fax

6487 N. Blackstone Ave.
Fresno, CA 93710
(559) 449-8258
(559) 449-0302 fax

230 S. Lake Ave., #2
Pasadena, CA 91101
(626) 229-0636
(626) 229-0638 fax

19030 Ventura Blvd.
Tarzana, CA 91356
(818) 345-7637/7827
(818) 609-1246 fax

1287 Morena Blvd.
San Diego, CA 92110
(619) 276-9560
(619) 276-4359 fax

COLORADO

5142 N. Academy Blvd.
Colorado Springs, CO 80918
(719) 260-9988
(719) 260-8353 fax

2200 S. Monaco Pkwy.
Denver, CO 80222
(303) 757-4904
(303) 757-2723 fax

FLORIDA

303 E. Altamonte Dr
Suite 1100
Altamonte Springs, FL 32701
(407) 831-1444
(407) 831-5444 fax

102 S. Flamingo Rd.
Pembroke Pines, FL 33027
(954) 432-0031
(954) 432-6350 fax

GEORGIA

3655 Roswell Rd. NE
Suite 126
Buckhead, GA 30342
(404) 814-1574
(404) 814-1035 fax

1064 Old Peachtree Rd.
Suite 102
Lawrenceville, GA 30043
(678) 442-9907
(678) 442-9947 fax

2960 Shallowford Rd. #200
Marietta, GA 30066
(678) 560-0066
(678) 560-0068 fax

10779 Alpharetta Hwy.
Suite 170
Roswell, GA 30076
(770) 649-0425
(770) 649-0704 fax

IDAHO

520 S. Meridan Rd
Suite 150
Meridian, ID 83642
(208) 855-4775
(208) 855-4776 fax

ILLINOIS

1372 Winston Plaza
Melrose Park, IL 60160
(708) 344-3800
(708) 344-3853 fax

4328 East New York Street
Aurora, IL 60504
(630) 499-5728
(630) 499-5816 fax

IOWA

3001-100th St.
Urbandale, IA 50322
(515) 331-0550
(515) 331-0545 fax

KENTUCKY

4131 Shelbyville Rd.
Louisville, KY 40207
(502) 895-4775
(502) 895-9874 fax

MARYLAND

7632 Belair Rd.
Baltimore, MD 21236
(410) 668-8100
(410) 668-9228 fax

305 Muddy Branch Rd.
Gaithersburg, MD 20878
(301) 948-0864
(301) 948-0866 fax

MICHIGAN

19799 West 12 Mile Rd.
Southfield, MI 48076
(248) 552-6253
(248) 552-6256 fax

MINNESOTA

8922 Highway 7
St. Louis Park, MN 55426
(952) 935-0091
(952) 935-0462 fax

1539 W. Larpenteur Ave.
St. Paul, MN 55113
(651) 644-8684
(651) 644-6621 fax

MISSOURI

201 East Gregory
Kansas City, MO 64114
(816) 333-7440
(816) 333-3184 fax

18931 Valley View Pkwy.
Suite F
Independence, MO 64055
(816) 795-5303
(816) 795-5759 fax

NEBRASKA

2449 S. 120th Street
Omaha, NE 68144
(402) 330-2290
(402) 330-7675 fax

NEVADA

2050 East Serene Ave.
Suite 620-3
Las Vegas, NV 89123
(702) 614-0777
(702) 614-0787 fax

7920 W. Tropical Parkway
Suite 110
Las Vegas, NV 89149
(702) 645-4320
(702) 645-7518 fax

NEW MEXICO

4770 Montgomery VC NE
Suite A-103
Albuquerque, NM 87109
(505) 883-0800
(505) 883-4970 fax

NEW YORK

3312 Sheridan Drive
Amherst, NY 14226
(716) 831-0153
(716) 833-2423 fax

3523A Hempstead Turnpike
Levittown, NY 11756
(516) 520-1233
(516) 520-1293 fax

1577 Ridge Rd. West
Rochester, NY 14615
(585) 865-7190
(585) 865-7214 fax

320 Northern Lights Plaza
No. Syracuse, NY 13212
(315) 454-4682
(315) 454-4782 fax

NORTH CAROLINA

6449 Albemarle Rd.
Charlotte, NC 28212
(704) 568-0371
(704) 568-4283 fax

OHIO

4032 Belden Village St.
Canton, OH 44718
(330) 491-0086
(330) 491-0140 fax

101 E. Alex-Bell Rd #109
Centerville, OH 45459
(937) 291-3560
(937) 291-0076 fax

2256 Waycross Rd.
Forest Park, OH 45240
(513) 522-7575
(513) 522-7580 fax

7714 B Montgomery Rd.
Cincinnati, OH 45236
(513) 791-7930
(513) 791-7934 fax

5160 Great Northern Plaza
North Olmsted, OH 44070
(440) 734-2755
(440) 734-2799 fax

5831 Sawmill Rd.
Columbus, OH 43017
(614) 760-9399
(614) 760-9331 fax

104 Boardman-Poland Rd.
Boardman, OH 44512
(330) 758-1828
(330) 758-1332 fax

3109 West Market Street
Fairlawn, OH 44333
(330) 864-6700
(330) 864-6702 fax

OKLAHOMA

3710 NW 50th St.
Oklahoma City, OK 73112
(405) 947-4436
(405) 947-0886 fax

OREGON

4130 SW Lombard Ave.
Suite 110
Beaverton, OR 97005
(503) 574-2696
(503) 574-2762 fax

PENNSYLVANIA

1155 Washington Pike
Bridgeville, PA 15017
(412) 221-4568
(412) 221-0145 fax

245 Lancaster Pike
Frazer, PA 19355
(610) 651-0570
(610) 651-0572 fax

TENNESSEE

2200 N. Germantown Pkwy
Suite 7
Cordova, TN 38016
(901) 266-0333
(901) 226-0811

9309A Kingston Pike
Knoxville, TN 37922
(865) 690-0785
(865) 694-9985 fax

1010 Murfreesboro Rd.
Suite 126
Franklin, TN 37064
(615) 599-2949
(615) 599-9663 fax

TEXAS

13536 Preston Rd
Suite 100
Dallas, TX 75240
(972) 503-9494
(972) 503-9496 fax

2930 Preston Rd.
Frisco, TX 75034
(469) 633-0555
(469) 633-0745 fax

7613 Westheimer
Houston, TX 77063
(713) 334-0199
(713) 334-1341 fax

6900 San Pedro, Suite 137
San Antonio, TX 78216
(210) 829-1906
(210) 805-0612 fax

19507 I-45, Suite #900
Cypresswood Ct.
Spring, TX 77388
(281) 288-5803
(281) 288-5876 fax

1823 West Bay Area Blvd.
Webster, TX 77598
(281) 338-2830
(281) 338-2835 fax

1491 Lee Trevino
Suite D
El Paso, TX 79936
(915) 598-8633
(915) 598-8610

UTAH

6935 Park Centre Drive
Salt Lake City, UT 84121
(801) 304-0516
(801) 304-0546 fax

VIRGINIA

9018 W. Broad Street
Richmond, VA 23294
(804) 747-8249
(804) 747-3395 fax

WASHINGTON

837 NE Northgate Way
Seattle, WA 98125
(206) 367-4425
(206) 367-0632 fax

2911 North Monroe
Spokane, WA 99205
(509) 328-9514
(509) 328-9562 fax

WEST VIRGINIA

35 Riverwalk Plaza
S. Charleston, WV 25303
(304) 744-4748
(304) 744-4779 fax

WISCONSIN

2791 South Oneida St.
Ashwaubenon, WI 54304
(920) 494-9441
(920) 494-5059 fax

505 S. Midvale Blvd.
Madison, WI 53711
(608) 238-3470
(608) 238-0120 fax

10244 W. National Ave.
West Allis, WI 53227
(414) 327-7430
(414) 327-9875 fax

11211 120th Ave.
Suite D-067
Pleasant Prairie, WI 53142
(262) 857-3176
(262) 857-6815 fax

CANADA

Hoover Canada
9012 L'Acadie Blvd.
Montreal, Quebec
H4N 2Y8
(514) 384-8030
(514) 384-5940 fax

Hoover Canada
4151 North Service Rd.
Burlington, Ontario
L7R 4A8
(905) 335-3311
(905) 335-3320 fax

Important Safeguards

When using an electrical appliance, always follow basic precautions, including the following:

READ ALL INSTRUCTIONS BEFORE USING APPLIANCE.

WARNING: To reduce the risk of fire, electric shock, or injury:

THIS CLEANER IS INTENDED FOR HOUSEHOLD USE.

- Do not use outdoors or on wet surfaces.
- Close supervision is necessary when any appliance is used near children. Do not allow vacuum cleaner to be used as a toy or to run unattended at any time.
- Keep hair, loose clothing, fingers, feet and all parts of body away from openings, rotating agitators and other moving parts. Do not operate cleaner in bare feet or when wearing open toe shoes or sandals.
- Do not pick up anything that is burning or smoking, such as cigarettes, matches, or hot ashes.
- Do not use to pick up flammable or combustible liquids or fine sawdust or use in areas where they may be present.
- Avoid picking up hard, sharp objects with the cleaner. They may damage the cleaner.
- Always turn off this appliance before connecting or disconnecting hose.
- Do not use without filter bag or filter in place. Change bag frequently when picking up very fine materials such as powder.
- Use extra care when cleaning on stairs. When cleaning stairs, place cleaner at bottom. Clean from bottom to top.
- Always fully unwind the cord before using the cleaner.
- Do not put any object into openings. Do not use with any opening blocked; keep free of dust, lint, hair, and anything that may reduce air flow.
- Do not pull or carry by cord, use cord as a handle, close door on cord or pull cord around sharp edges or corners. Do not run appliance over cord. Keep cord away from heated surfaces.
- Always disconnect cord from electrical outlet before servicing the cleaner.
- Turn cleaner off and unplug when not in use.
- Do not unplug by pulling on cord. To unplug, grasp the plug, not the cord. Never handle plug or appliance with wet hands.
- The use of an extension cord is not recommended.
- Do not use with damaged cord or plug. If appliance is not working as it should, has been dropped, damaged, left outdoors, or dropped into water, take it to a Hoover Sales and Service Center or Authorized Hoover Warranty Service Dealer.
- Use vacuum cleaner only for its intended use as described in the instructions.
- Use only attachments recommended by Hoover; others may cause hazards.
- **DO NOT PULL/DRAW** the cleaner across hard floor surfaces when the cleaner is turned off.
- Do not leave appliance when plugged in. Unplug from outlet when not in use and before servicing.

SAVE THESE INSTRUCTIONS

Contents

Important safeguards	3
Carton contents	4
How to use	5-7
Cleaner description	5
Cleaning tools	6
Cleaning stairs	7
Storage	7
Maintenance	7-8
Filter bag	7
Filter	8
Lubrication	8
Clearing blockages	9
If you have a problem	9
Service	10
Warranty	10
Parts & accessories mail reorder form	27



www.hoover.com
www.hoover.ca
© 2006 The Hoover Company

Polarized plug

To reduce the risk of electric shock, this appliance has a polarized plug (one blade is wider than the other). This plug will fit in a polarized outlet only one way. If the plug does not fit fully in the outlet, reverse the plug. If it still does not fit, contact a qualified electrician to install the proper outlet. Do not change the plug in any way.

1. Unpacking

Carton contents

1-1 A. Cleaner - Your HOOVER canister cleaner uses a unique principle called "air lift" which allows the cleaner to glide across your rugs without any pulling or tugging -- creating an effortless and weightless cleaning experience.

B. Hose and Hand Grip - The hose is super-light, flexible and easy to use. It stretches out easily for that extra length you need, and then quickly contracts to its original length when the job is done. You'll find it's light in your hands, never kinks, and is easy to control-- so that you can clean your space from top to bottom. For convenience, the hose grip swivels 360°.

The HOOVER canister cleaner gives you cleaning attachments for every job...

C. 12" Hard Floor Brush - There is no better way to clean your hard surface spaces than to use the hard floor brush. It is wide enough to cut down on cleaning time and delicate enough not to scratch your floors.

D. TurboPower™ Nozzle - If your home is carpeted, then our air-driven nozzle is for you. The canister cleaner's suction power will drive the brush roll agitator located on the underside of this nozzle to get down into the fibers of your carpet, sucking up dirt and particles leaving with you a clean space. The TurboPower™ Nozzle has **automatic height adjustment**, so you can go from different carpet heights or from carpet to hard surface floors without having to make any adjustments.

E. Combination Tool - With this new combination tool, you can easily clean upholstered furniture, curtains, and mattresses.

F. Crevice Tool - The crevice tool is designed for cleaning even the most cramped spaces. Get between furniture cushions, around baseboards, under furniture and all those hard to get to places.

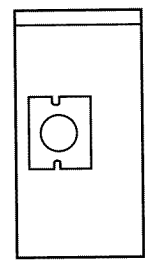
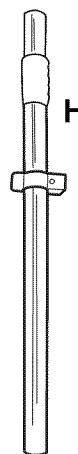
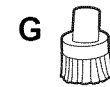
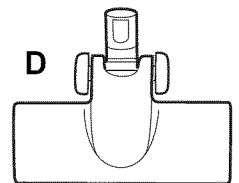
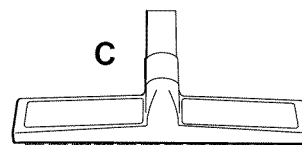
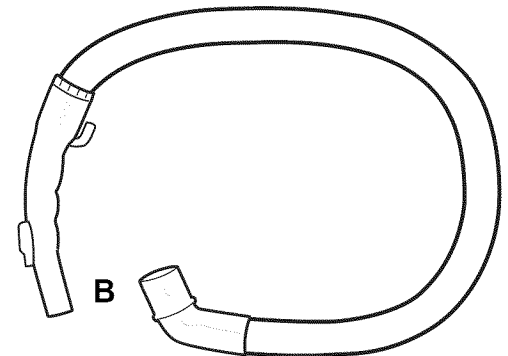
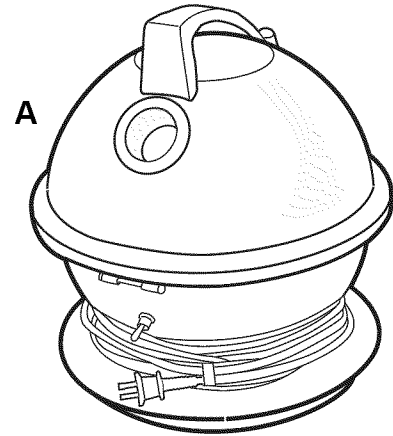
G. Dusting Brush - A dusting brush that is great for use on tables, lamp shades, carved furniture, venetian blinds, shelves, and more. Used properly, it won't scratch surfaces, and it will save you time dusting around the house.

H. Telescoping Extension Wand - You can reach your ceiling, floors, or stairs in one easy step. Adjust the wand to the desired length by pushing forward on the wand grip.

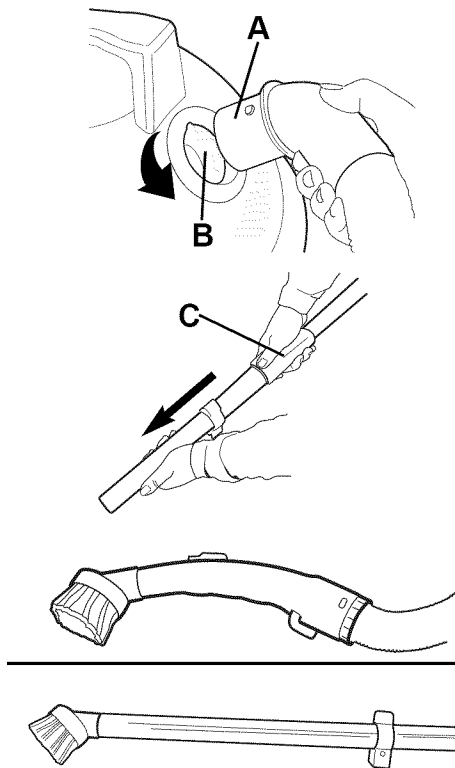
I. Tool Holder - Tools are easily accessible and ready to use for all your cleaning needs. The tool holder fits both on the extension wand or on the canister handle, so you can store tools where you like.

J. Extra Filter Bag - (one installed in cleaner) The HEPA filtration bag traps 99.98% of all particles down to 0.3 microns.

K. Extra Secondary Filter - (one installed in cleaner) The secondary filter, located in the bag compartment, protects the motor from dirt particles.



Attach hose, wand, tools and nozzle



1-2 Attach hose

Insert hose connector (A) into opening (B) in bag lid, aligning tabs on hose connector with slots in opening. Twist counterclockwise to latch.

To remove hose, twist hose connector clockwise and pull up.

1-3 Attach wand

To attach wand to hose, push wand firmly onto hose; twist wand to tighten.

Adjust the telescoping wand to the desired length by pushing forward on the wand grip. Release grip to lock the wand into position.

1-4 Attach tools and nozzle

To attach tool to the hose or wand, firmly push tool onto hose or wand. Twist tool slightly to tighten or loosen connection.

To attach either nozzle to the wand, push the nozzle firmly onto the wand. Twist nozzle slightly to tighten or loosen connection.

2. How to use

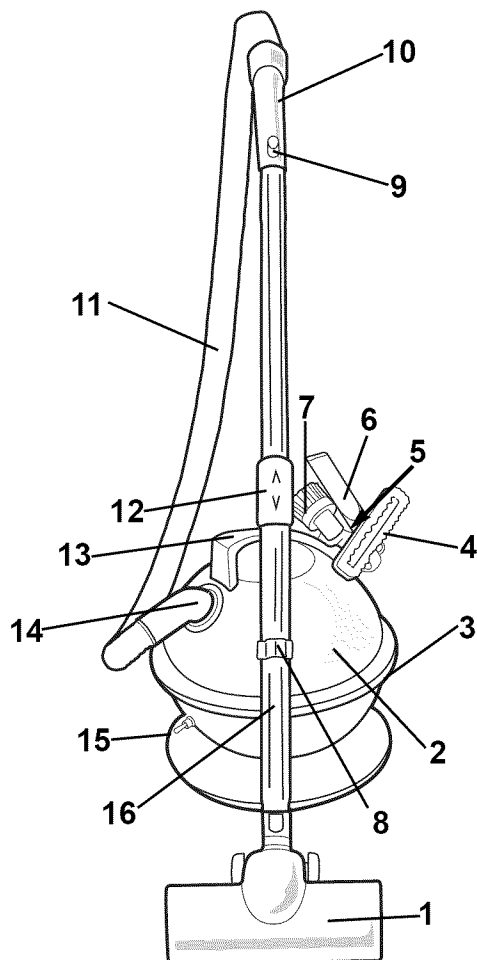
Cleaner description

2-1 Use the following to identify the parts and features of the cleaner:

1. Turbine nozzle
2. Bag lid
3. Bag lid latch (on rear of cleaner)
4. Combination tool
5. Wand storage/tool storage slot (at rear of carrying handle)
6. Crevice tool
7. Dusting brush
8. Wand/tool storage holder: fits into storage slot on rear of carry handle
9. Suction regulator: use thumb to push open or closed
10. Hand grip
11. Hose
12. Wand grip
13. Carrying handle
14. Hose connector
15. ON/OFF switch
16. Telescoping extension wand: used with turbine nozzle, floor brush or tools. Adjusts to desired length.

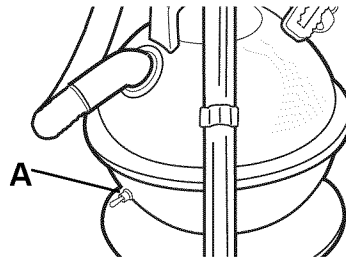
Operate cleaner only at voltage specified on data plate on underside of the cleaner.

This cleaner is intended for household use.



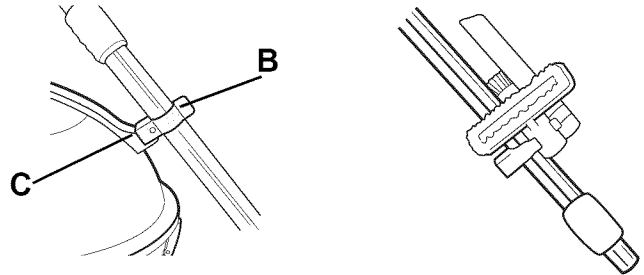
2-2 ON/OFF switch

To turn cleaner **ON**, push the ON/OFF switch (A) **up**. To turn cleaner **OFF**, push the switch **down**.



2-3 Wand/tool storage holder

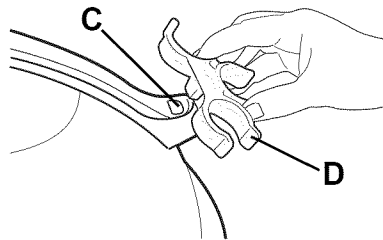
The wand/tool storage holder (B) fits into the slot (C) at the rear of the carry handle. Tools may be positioned on the tool holder attached to the wand for convenient storage.



Cleaning tools

2-4 Cleaning tool storage

The tools may also be stored on the tool holder (D). Fit the tool holder into the slot (C) at the rear of the carry handle.



The cleaning tools have many uses. Select the tool best suited for the cleaning task from the following descriptions.

2-5 Select the proper tool

E. Crevice tool may be used in tight spaces, corners, and along edges in such places as dresser drawers, upholstered furniture, and stairs.

F. Dusting brush may be used for carved furniture, table tops, books, lamps, lighting fixtures, and venetian blinds.

G. Combination tool use with brush attached for carved furniture, table tops, books, lamps, lighting fixtures, and venetian blinds. Remove brush to clean upholstered furniture, curtains, mattresses, car upholstery, and carpeted stairs.

H. 12" hard floor brush use on hard surface floors.

I. Turbine nozzle use on carpeted surfaces and rugs. Automatically adjusts to different carpet pile heights.

J. Telescoping wand may be used to give extra length to the hose. It can be used with any of the above tools. Extend by pushing the wand grip and pulling down or back on the lower portion of wand. Adjust wand to desired length. Release grip to lock the wand in position.

The **suction regulator** (K) on the hose grip allows you to reduce suction when needed. The suction regulator, in the closed (MAX) position, allows maximum suction, or open (MIN), allows less suction when cleaning lightweight fabrics or throw rugs.

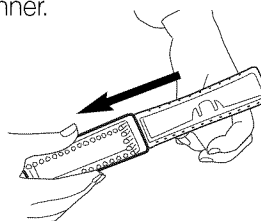
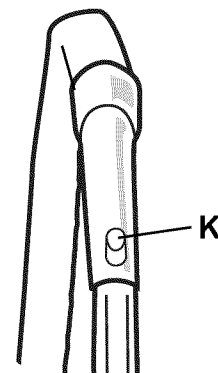
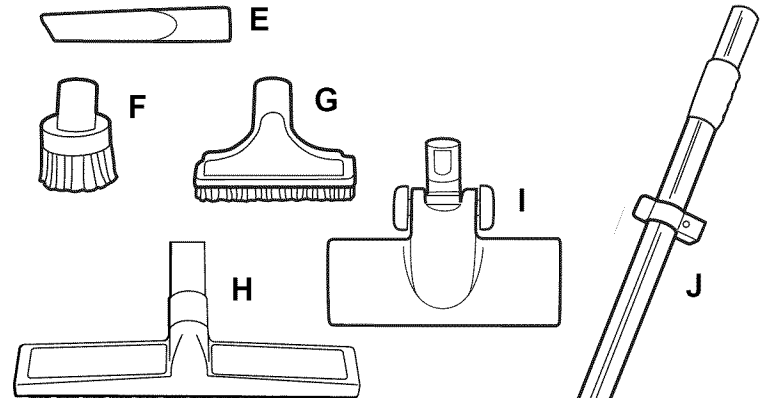
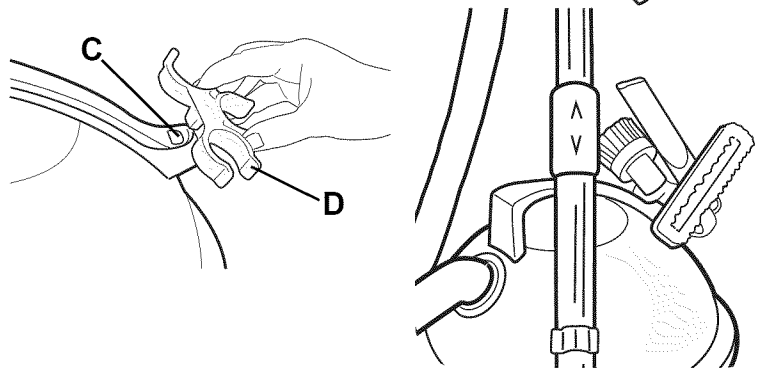
2-6 Attaching tools

The tools and the floor nozzles are attached to the hose or the wand in the same manner. Push tool firmly onto hose; twist tool slightly to tighten or loosen connection.

2-7 Combination tool

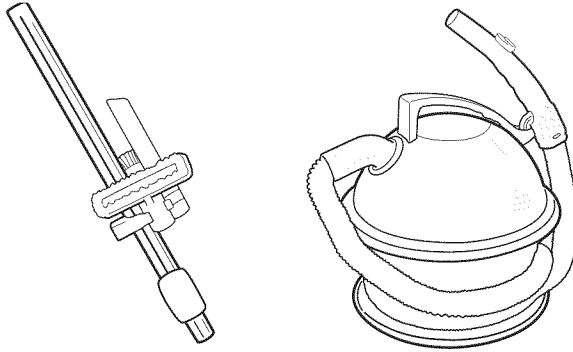
Slide brush to remove.

To replace brushes, align brush with grooves on tool. Slide brush into place.



Cleaning stairs

Simply leave the HOOVER canister cleaner at the foot of the stairs and work your way up, cleaning the stairs as you go. Used with the extension wand, the clear hose will stretch to the length you need, as you need it without any strain on you or the cleaner. Use either the 12" hard floor brush or turbine nozzle for stairs--whichever is most convenient for you.



2-8 Storing the cleaner

Unplug the cord and wrap it around the base of the cleaner. Disconnect tool or wand from hose, wrap hose around base and insert hook on hand grip into slot at the back of the carry handle.

Position tools on the tool storage holder attached to the wand.

3. Maintenance

Familiarize yourself with these home maintenance tasks as proper use and care of your cleaner will ensure continued cleaning effectiveness.

Filter bag

When to replace

Check bag from time to time. When bag is filled with dirt, the cleaner will not operate efficiently. Discard used bag.

CAUTION: Very fine materials may reduce airflow through the bag even though it is only partially full of dirt. When the cleaner is used to remove material of this nature, change the bag often.

What bags to buy

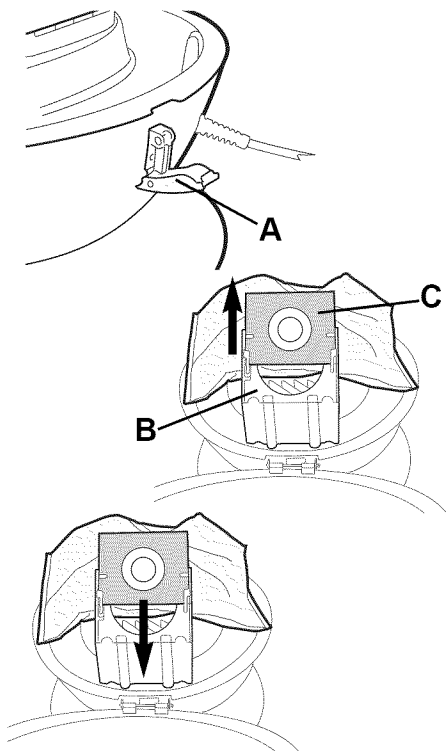
It is important to use only **Genuine HOOVER® HEPA Filtration Type S** disposable bags in order to maintain the original cleaning effectiveness of your cleaner.

HOOVER bags can be identified by these trademarks --



Where to buy bags

Filter bags may be purchased from your local Hoover Sales & Service center or Hoover retailer. When ordering filter bags, be sure to give the model number of your cleaner. Ask for HOOVER part number **4010806S for HEPA Filtration Type S** (package contains two bags).



3-1 Replacing the filter bag

Disconnect cleaner from electrical source.

The bag lid latch (A) is located on the back side of the cleaner. Unlatch and open bag lid.

3-2

Remove bag from bag holder (B) by pulling up on bag collar (C). Discard used bag.

3-3

Slide new bag collar all the way down into bag holder.

3-4 Before closing bag lid, make sure bag is completely inside bag compartment.

Close and latch bag lid.

Secondary filter

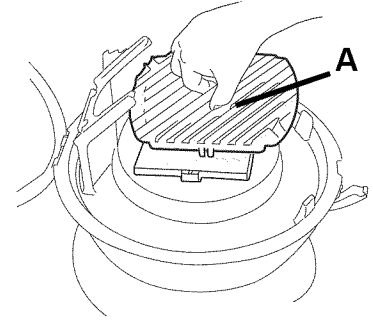
Disconnect cleaner from electrical outlet.

The secondary filter, located in the bag compartment, protects the motor from dirt particles.

This filter is washable. Hand wash in cold water and a mild detergent. Let filter air dry **completely** before repositioning.

3-5 Should you want to replace the filter, remove the disposable bag, following Figs. 3-1 and 3-2.

Grasp the center of the filter retainer (A) and pull up to remove. **DO NOT DISCARD filter retainer.**

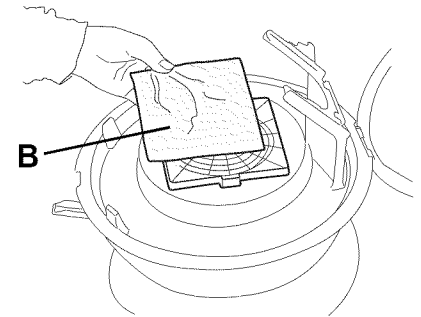


3-6 Remove the used secondary filter (B) and discard. Replace with a new filter. Put the filter retainer back into position and press in place.

Replace the disposable bag (Figs. 3-2 and 3-3), close bag lid and latch.

Do not operate cleaner without secondary filter and disposable bag in place.

It is recommended that the secondary filter be replaced after every 2 bag changes. Filters may be purchased from your local Hoover Sales and Service Center. When ordering, be sure to give the model number of your cleaner. Ask for HOOVER part number **40110011**. (Package contains two secondary filters.)



Lubrication

The motor is equipped with sufficient lubrication for the life of the motor. The addition of lubricant could cause damage.

Therefore, do not add lubricant to the motor.

4. If you have a problem

If a minor problem occurs, it usually can be solved quite easily when the cause is found by using the check list below. **Turn cleaner off and disconnect cord from electrical outlet before performing any maintenance tasks.**

What's the problem?

It won't turn on

What does it mean? What should I do?

Not firmly plugged in.
✓ *Be sure cleaner is firmly plugged into an active electrical outlet with the correct voltage/wattage needs.*

What's the problem?

I sucked up something, and I need it back!

What does it mean? What should I do?

Don't worry. If you have sucked up something valuable, you can simply retrieve it from the throw-away vacuum bag. Simply turn it off, unplug power cord and remove bag and empty.

What's the problem?

It's making a bad noise

What does it mean? What should I do?

There may be an internal fault, or something stuck inside. We recommend you turn the unit off, unplug and take it to a Hoover Sales and Service Center or Authorized Hoover Warranty Service Dealer (Depot).

What's the problem?

I need a new bag

What does it mean? What should I do?

New bags can be purchased at your local HOOVER Sales and Service Center.

Clearing blockages

Low suction or pick up may be due to a blockage in the system. Refer to the following steps to check for blockages, continuing with each step until the blockage is found.

1. Turn cleaner OFF and **disconnect from electrical outlet; then disconnect the wand from the hand grip.**
2. Plug cleaner in, turn on, and check hose end for suction. Remove any obstructions.
3. Remove nozzle from wand and attach wand to hose. Check for suction and remove any blockages.

Service

To obtain approved HOOVER service and genuine HOOVER parts, locate the nearest **Hoover Sales and Service Center or Authorized Hoover Warranty Service Dealer (Depot)** by:

- checking the Yellow Pages under "Vacuum Cleaners - Household" OR -
- checking the list of Sales and Service Centers provided at the front of this manual OR -
- checking the Service section of Hoover on-line at www.hoover.com OR -
- calling **1-800-944-9200** for an automated referral of authorized service outlet locations (U.S. only).

Do not send your cleaner to North Canton, Ohio for service, this will only result in delay.

If further assistance is needed, contact the Consumer Response Center, Phone: 330-499-9499.

In Canada, contact Hoover Canada, Burlington, Ontario L7R 4A8, Phone: 1-888-898-6055 (English), OR on-line at www.hoover.ca.

Always identify your cleaner by the **complete** model number when requesting information or ordering parts.

Warranty

Full Two Year Warranty

(Domestic Use)

Your HOOVER® appliance is warranted in normal household use, in accordance with the Owner's Manual against original defects in material and workmanship for a period of two full years from date of purchase. This warranty provides, at no cost to you, all labor and parts to place this appliance in correct operating condition during the warranted period. This warranty applies when the appliance is purchased in the United States including its territories and possessions, or in Canada or from a U. S. Military Exchange. Appliances purchased elsewhere are covered by a limited two year warranty which covers the cost of parts only. This warranty does not apply if the appliance is used in a commercial or rental application.

This warranty only applies when the product is in use in the country or territory in which it is purchased.

Warranty service can only be obtained by presenting the appliance to one of the following authorized warranty service outlets. Proof of purchase will be required before service is rendered.

1. Hoover Sales and Service Centers.
2. Hoover Authorized Warranty Service Dealers (Depots).

For an automated referral of authorized service outlets in the U.S.A., phone 1-800-944-9200 OR visit Hoover on-line at www.hoover.com

This warranty does not cover pick up, delivery, or house calls; however, if you mail your appliance to a Hoover Sales and Service Center for warranty service, transportation will be paid one way.

While this warranty gives you specific legal rights, you may also have other rights which vary from state to state.

If further assistance is needed, or if there are questions concerning this warranty or the availability of warranty service outlets, phone the Hoover Consumer Response Center, 1-330-499-9499.

In Canada, contact Hoover Canada, Burlington, Ontario L7R 4A8, 1-888-898-6055 (English) OR visit Hoover on-line at www.hoover.ca.

Fill in and Save

For your records, enter the model number and serial numbers in the spaces provided. These numbers are located on the data label on the underside of the cleaner.

Model No. _____

Serial No. _____

Save your sales receipt and attach it to this manual. Proof of date of purchase may be required for warranty service of your cleaner.