

HOOVER®

Wet Dry
HandVac



Owner's Manual

English → pp. 1-8

Espanol → pág. 9-12

Français → p. 13-16

Thank you for selecting a HOOVER® product.

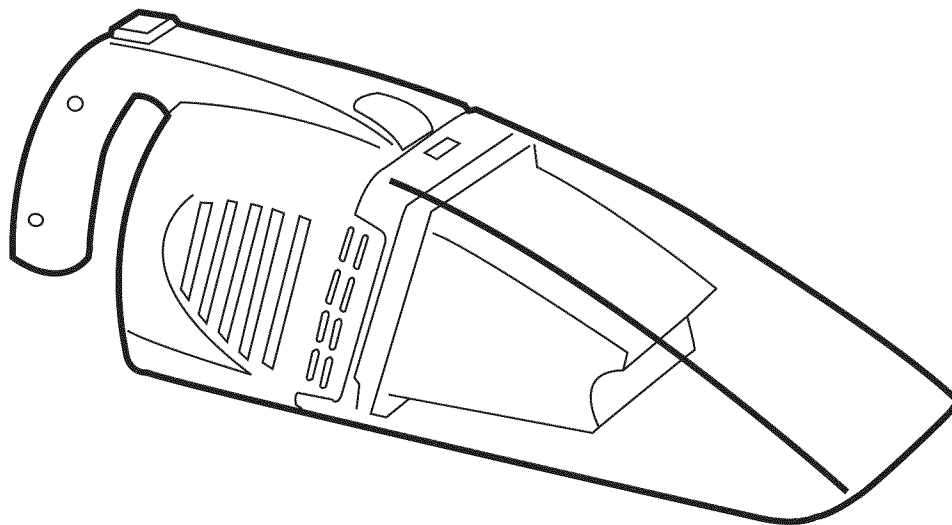
This cleaner was inspected and packaged carefully before being shipped from the factory. If you should happen to need assistance during assembly or operation, call

1-800-944-9200 for automated referral of authorized service outlet locations (U.S. only) or

Visit us online at **www.hoover.com** to find the service outlet nearest you (click on the "Service" button) or

1-330-499-9499 to speak with a representative in our Consumer Response Center.

PLEASE DO NOT RETURN THIS PRODUCT TO THE STORE.



**Review this manual before
operating cleaner.**

Fill in and retain

The model and serial number are located on the bottom of the cleaner motor housing.

For your personal records, please enter the COMPLETE model and serial number in the spaces provided and retain this information.

Your cleaner is model _____

and has serial number _____

It is suggested that you attach your sales receipt to this owner's manual. Verification of date of purchase may be required for warranty service of your Hoover product.

Index

Assembly	3-4
Charging Cleaner	4
Description	3
Mounting Wall Bracket	4
How To Use	
Picking Up Dry Debris	5
Picking Up Liquid & Wet Debris	5
If You Have a Problem	8
Service	8
Important Safeguards	2
Maintenance	
Battery Disposal	7-8
Cleaning Your Wet Dry HandVac	5
Emptying Collector Cup	6
Lubrication	8
Warranty	8



Important Safeguards!

When using an electrical appliance, basic precautions should always be followed, including the following:

READ ALL INSTRUCTIONS BEFORE USING THIS APPLIANCE

Warning: To reduce the risk of fire, electric shock, or injury:

- Close supervision is necessary when any appliance is used by or near children. Do not allow vacuum cleaner to be used as a toy.
- Do not pick up anything that is burning or smoking, such as cigarettes, matches, or hot ashes.
- Do not use to pick up flammable or combustible liquids such as gasoline or fine wood sandings or use in areas where they may be present.
- Avoid picking up hard, sharp objects with the cleaner. They may damage the cleaner and the filter.
- Do not use without collector cup, filter and separator in place. Clean collector cup, filter and separator after picking up any perishable food items.
- Use extra care when cleaning on stairs.
- Do not put any object into openings. Do not use with any opening blocked; keep free of dust, lint, hair, and anything that may reduce air flow.
- Do not unplug by pulling on cord. To unplug, grasp charger, not the cord. Never handle plug or charger with wet hands.
- Use only the charger supplied by the manufacturer to recharge this appliance.
- The use of an extension cord is not recommended.
- Do not use charger with damaged cord or plug. If appliance is not working as it should, has been dropped, damaged, left outdoors, or dropped into water, take it to a Hoover Factory Service Center or Authorized Hoover Warranty Service Dealer.
- Do not incinerate this appliance even if it is severely damaged. The batteries can explode in a fire.
- Use vacuum cleaner only for its intended use as described in the instructions. Use only attachments recommended by The Hoover Company; others may cause hazards.
- Charge indoors only.

Save these instructions!

Questions or concerns?

The Hoover Company wants to quickly resolve any concerns about your cleaner or questions regarding its use. Look on the list provided with the product for your local **Hoover Factory Service Center** or in the Yellow Pages under "Vacuum Cleaners – Household" for the nearest **Authorized Hoover Warranty Service Dealer** (depot) or call:

1-800-944-9200 for an automated referral of authorized service outlet locations (U.S. only)

OR

Visit us online at www.hoover.com to find the service outlet nearest you (click on the "Service" button) OR

Call 1-330-499-9499 to speak with a representative in the Hoover Consumer Response Center.

1. Assembly

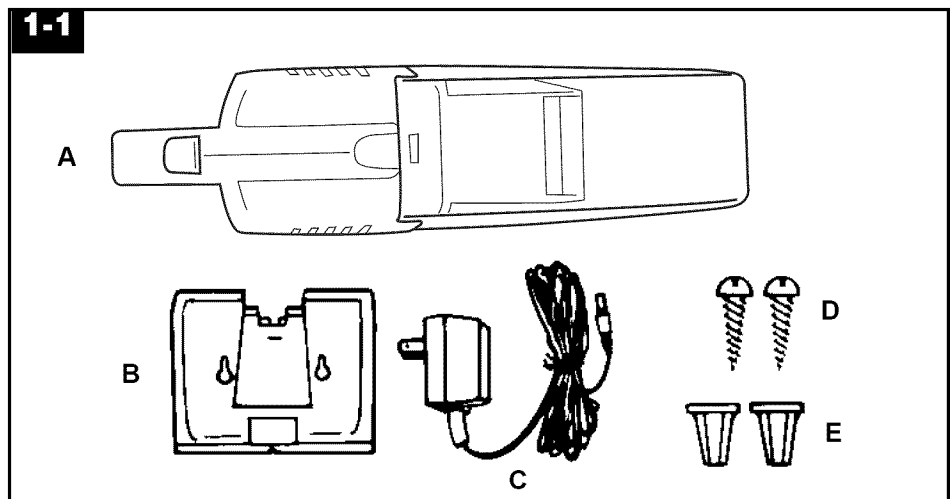
Carton contents

Unpack the cleaner from carton. Remove and dispose of cardboard packing.

- A. Hand-held cleaner
- B. Wall bracket
- C. Charger and cord
- D. Screws
- E. Anchors

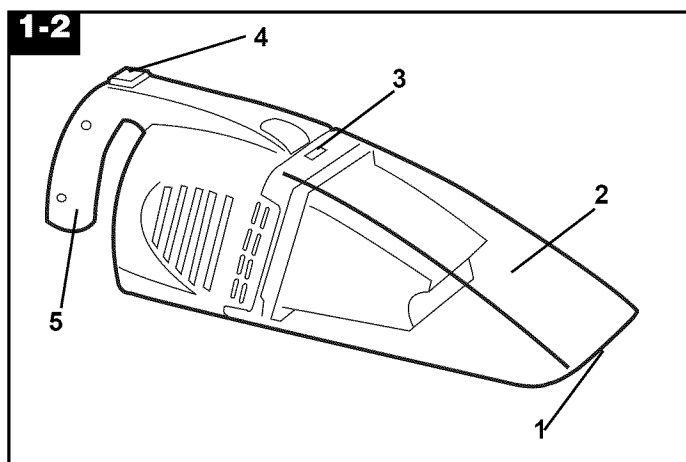
Be sure to charge your cleaner for 16 hours before using.

This cleaner is intended for household use.

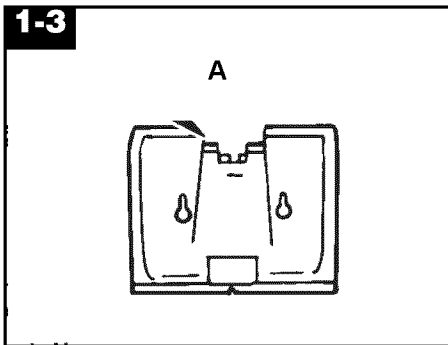


Description

- 1. Multi-purpose nozzle
- 2. Collector cup
- 3. Collector cup latch
- 4. ON/OFF switch
- 5. Handle



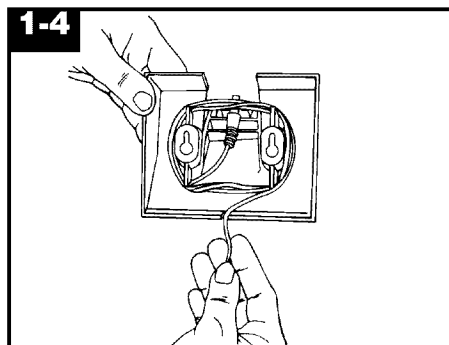
Mounting wall bracket



The wall bracket, included with your cleaner, is designed for both storing and recharging the cleaner. Choose a convenient place where the bracket can be mounted in a vertical position (with hook pointing up) and within six feet of an electrical outlet. **Do not use an outlet which is controlled with a wall switch for charging your cleaner.**

If bracket will be mounted closer to an outlet, wrap excess cord around projections on back of wall bracket.

Press end of cord into notch on bottom of bracket.



Hold bracket against wall in desired location and mark center of each hole. Drill a 1/8" diameter starter hole in center of each mark.

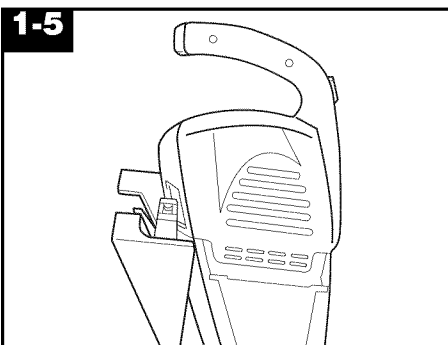
If wall bracket is being mounted onto dry wall, plaster, or thin paneling backed by dry wall or plaster*, enlarge starter holes to 13/64" diameter. Push plastic anchors fully into holes. Place bracket on wall over anchors. Begin driving screws into anchors. Tighten screws securely.

*Do not attempt to mount wall bracket onto thin paneling **without** a dry wall or plaster backing.

If wall bracket is being mounted onto a wall stud, solid wood or thick paneling, drill **only** the starter holes. Place bracket onto the wall and drive screws into holes without plastic anchors.

Charging cleaner

Plug charger into 110/120 volt electrical outlet.



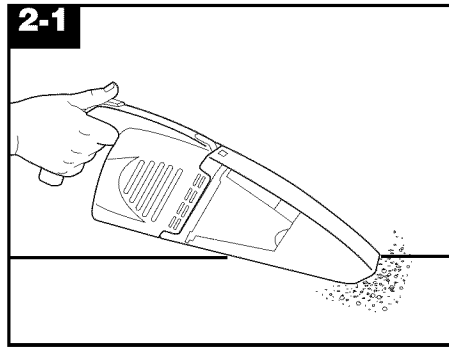
Hold cleaner with nozzle pointing down and opening in handle section aligned with hook in wall bracket. Slide cleaner straight down onto hook. **Press firmly on handle to ensure that end of cord is fully connected to cleaner.** Your cleaner will begin charging. It is designed to be stored on charge and ready for use at all times.

The batteries will be fully charged in 16 hours. At this time, the cleaner will have 7 minutes of useful operating time. If performance drops to an unacceptable level during this time, check problem chart in "Maintenance" section.

NOTE: It is normal for the charger to feel warm when the battery is charging. Never charge batteries in temperatures above 100°F or below 32°F.

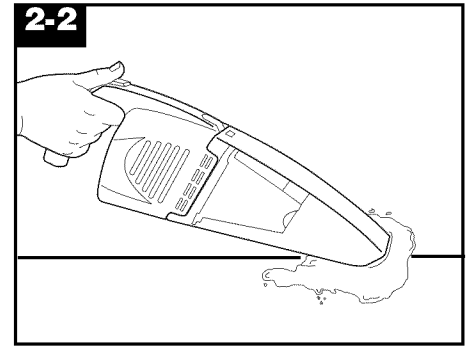
2. How to use

Remove the cleaner from wall bracket and depress and hold ON/OFF switch to operate. Release switch to turn cleaner off and to conserve power between tasks.



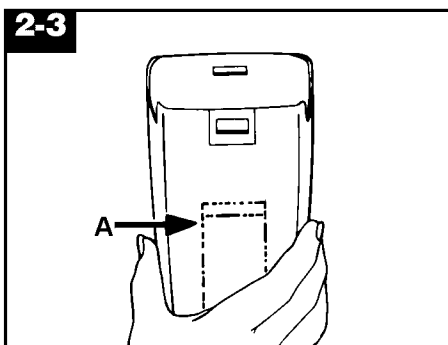
Picking up dry debris

Use cleaner to remove dust and dirt from upholstered furniture, mattresses, clothing, and carpeted stairs, or for quick pick-up on carpet, rugs and bare floors. Empty collector cup before picking up liquid or wet debris.



Picking up liquids and wet debris

Use this cleaner to pick up liquids and wet debris or a combination of each. Hold the nozzle end down after wet pick-up to avoid any spillage.



The collector cup will hold approximately 8 oz. of liquid. To check the liquid level, hold cleaner with nozzle down; when liquid is near end of tube (A), empty cup.

Cleaning spills

Your wet and dry cleaner can be very effective in cleaning up spills if the following procedures are used:

ON CARPET

1. **Immediately** vacuum up as much of the spill as possible.
2. For **oily spills** work some low sudsing carpet shampoo into the area according to the directions on the container. Vacuum up shampoo and spill residue, continue with procedure for water soluble spills.
For **water soluble** spills, dampen area using a spray bottle of cool clear water. Be careful not to saturate carpet.
3. Work water into nap of carpet.
4. Vacuum up water and spill residue.

5. Repeat procedure if necessary, but not more than **four** times to avoid saturating the carpet.

6. Cover the area with several layers of white paper towels or a terry cloth towel. Step on towels several times to blot carpet.

7. Brush up nap of carpet.

ON UPHOLSTERY

1. **Immediately** vacuum up as much of the spill as possible.
2. Follow the furniture manufacturer's instructions for spot cleaning the upholstery, using your cleaner whenever possible.

NOTE: Do not attempt to pick up a solvent based product with this cleaner.

3. Maintenance

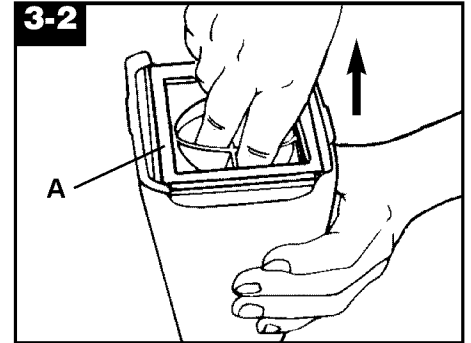
Familiarize yourself with these home maintenance tasks and keep this owner's manual in a convenient place where you can refer to it when needed. Proper use and care of your cleaner will ensure continued cleaning effectiveness.



Emptying collector cup

The dirt, liquid and wet debris picked up by your cleaner is deposited into the collector cup. **Empty cup after each use.**

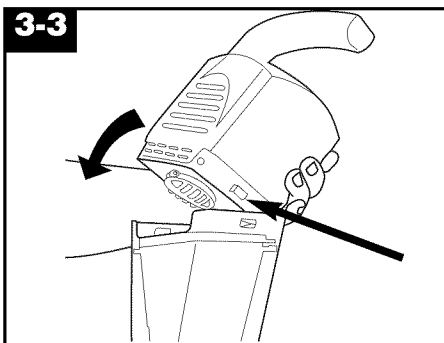
Hold cleaner in a vertical position, as shown. Grasp cup section; depress latch and remove motor/handle section of cleaner from cup.



With collector cup in hand, grasp center ribs of filter and lift out filter/separator assembly.

Empty collector cup.

If you have not finished your cleaning task, shake any debris off filter/separator assembly and replace it in the cup.

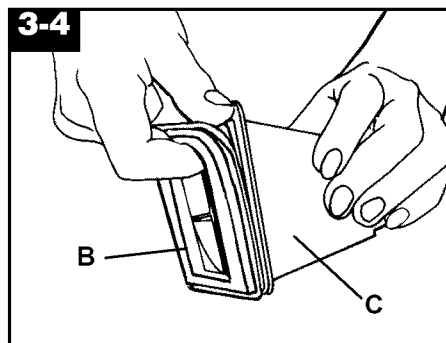


Reassemble cleaner by hooking projection on bottom of motor/handle section into opening in bottom of cup.

Pivot sections together, making sure latch is secure.

Continue using your cleaner. If a drop in performance is noted, refer to problem chart in the back of this book.

If you have finished using the cleaner, proceed with the following cleaning instructions before storing your cleaner.

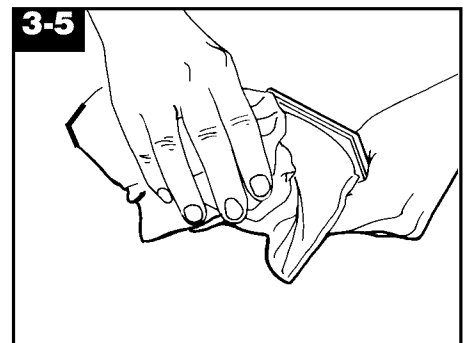


Cleaning your Wet & Dry Hand Cleaner

Note: It is not recommended that any components of this product be washed in a dishwasher.

To remove filter (B) from separator (C), lift up one corner, then pull edges of filter away from separator.

Remove any debris; wash and dry separator, if necessary.



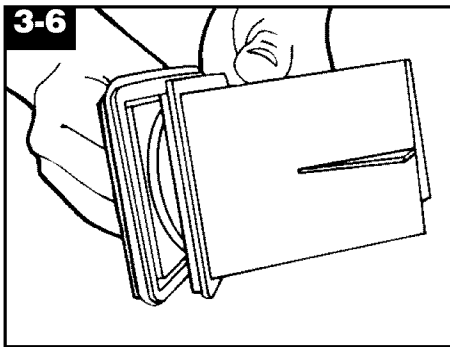
Remove any debris from the filter by tapping the frame on a hard surface or by brushing filter with a soft brush.

If filter is heavily soiled or wet, wash it in warm soapy water, using a soft brush if necessary. Rinse soap off filter.

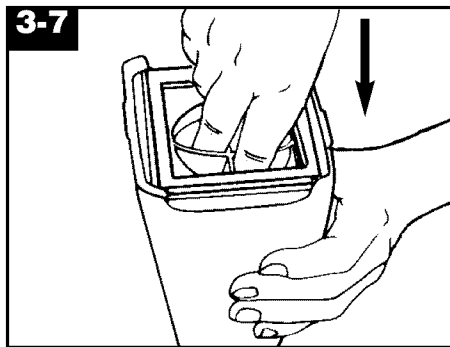
Note: Be sure to clean all soiled components after picking up perishable food items.

Dry filter by blotting with a towel; dry thoroughly before storing filter in cleaner.

If necessary, wash and dry cup before assembly.

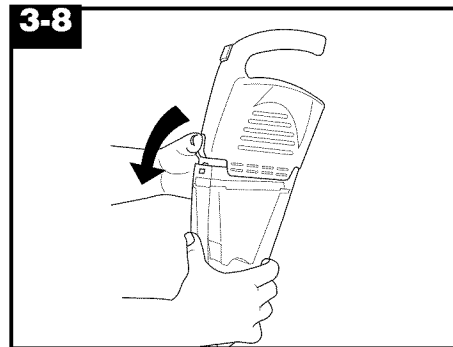


Align filter frame with separator frame and press edges together.



Replace filter/separator assembly into collector cup.

If soiled, wipe motor/handle section with a damp cloth. **Do not immerse in water.**



Reattach cup assembly to motor as shown.

Hang cleaner back on wall bracket for storage and recharging.

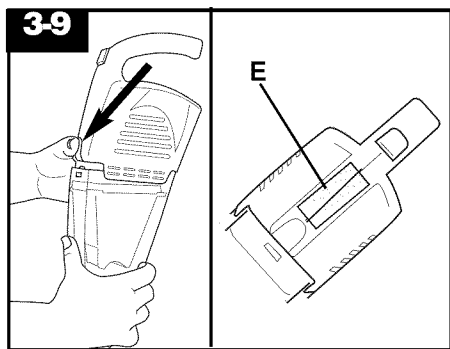
Battery recycling

Your cleaner contains nickel-cadmium batteries.

When these batteries no longer recharge, they must be removed from the cleaner, recycled and disposed of properly in accordance with state laws as described in Item 3-14.

If you want to have a new battery pack installed, contact your Hoover Factory Service Center.

The following instructions are for disassembly purposes **ONLY**.

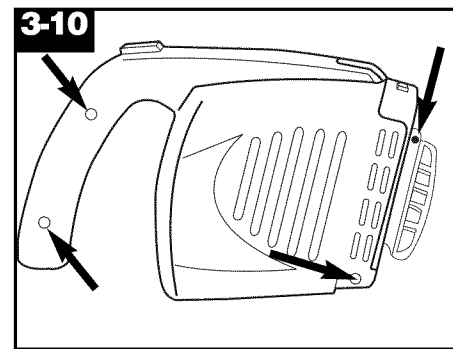


How to remove battery pack

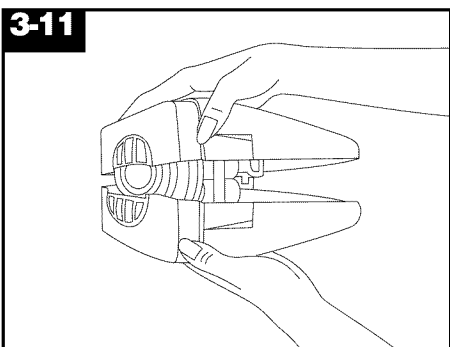
Note: Do not remove the batteries to recharge them. Follow the instructions for charging the cleaner. **The batteries should only be removed if they no longer recharge and you plan to dispose of the cleaner.**

Press latch and remove motor/handle section of the cleaner from collector cup.

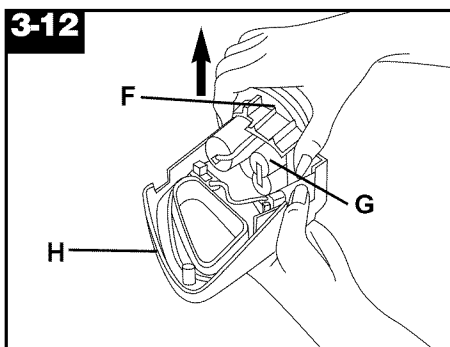
Cut data label (E) along seam on bottom of motor/handle.



Unscrew the 4 Phillips head screws on motor/handle section.

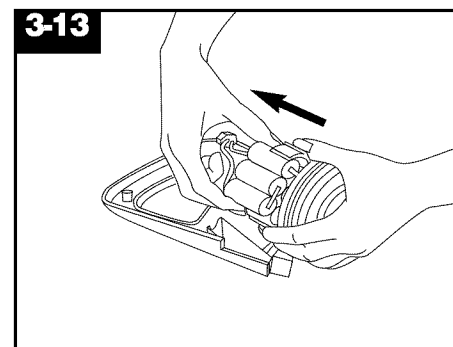


Separate motor/handle section halves. (The motor assembly will remain in one half of the housing.)



Pull motor assembly (F) from housing (H). Remove only the tape that holds the batteries (G) in place in the holder.

Do not remove label from the battery pack.



Slide battery pack out of holders.

Disconnect the two wires from battery terminals.

Dispose of battery pack in accordance with your local and state laws. (See following page.)

Continued →

3-14



The EPA certified RBRC® Battery Recycling Seal on the nickel-cadmium (Ni-Cd) battery indicates The Hoover Company is voluntarily participating in an industry program to collect and recycle these batteries at the end of their useful life, when taken out of service in the United States or Canada. The RBRC® program provides a convenient alternative to placing used Ni-Cad batteries into the trash or the municipal waste stream, which may be illegal in your area. Please call 1-800-8-BATTERY™ for information on Ni-Cd battery recycling and disposal bans/restrictions in your area. The Hoover Company's involvement in this program is part of our commitment to preserving our environment and conserving our natural resources.

Lubrication

The motor bearings are permanently lubricated. The addition of lubricant could cause damage. **Therefore, do not lubricate the motor bearings.**

4. If you have a problem

If a minor problem occurs it usually can be solved quite easily when the cause is found by using the check list below.

Problem: Cleaner won't run

Possible cause

Possible solution

- **Not firmly plugged in**
- *Plug in firmly*
- **No voltage in wall plug**
- *Check fuse or breaker*
- **Blown fuse/tripped breaker**
- *Replace fuse/reset breaker*
- **Battery not charged**
- *Recharge battery making sure cleaner is fully connected to end of cord (see "Charging cleaner" section)*

Problem: Cleaner won't pick-up

Possible cause

Possible solution

- **Collector cup full**
- *Empty cup*
- **Nozzle clogged**
- *Empty cup and clean filter; blot filter dry*
- **Low battery charge**
- *Recharge battery*

Problem: Dirt or liquid leaking from cleaner

Possible cause

Possible solution

- **Collector cup overfilled**
- *Empty cup*
- **Low battery charge**
- *Recharge battery*

Service

To obtain approved HOOVER service and genuine HOOVER parts, locate the nearest **Hoover Factory Service Center or Authorized Hoover Warranty Service Dealer (Depot)** by:

- checking the Yellow Pages under "Vacuum Cleaners - Household" OR -
- checking the list of Factory Service Centers provided with this cleaner OR -
- calling **1-800-944-9200** for an automated referral of authorized service outlet locations (U.S. only) OR -
- checking the Service section of The Hoover Company on-line at **www.hoover.com**

Please do not send your cleaner to The Hoover Company in North Canton for service, this will only result in delay.

If further assistance is needed, contact The Hoover Company Consumer Response Center, North Canton, Ohio 44720 Phone: 1-330-499-9499.

In Canada, contact Hoover Canada, Burlington, Ontario L7R 4A8, Phone: 1-800-263-6376.

Always identify your cleaner by the **complete** model number when requesting information or ordering parts. (The model number appears in the middle of the back of the cleaner body.)

Full One Year Warranty (Domestic Use)

Your HOOVER® appliance is warranted in normal household use, in accordance with the Owner's Manual against original defects in material and workmanship for a period of one full year from date of purchase. This warranty provides, at no cost to you, all labor and parts to place this appliance in correct operating condition during the warranted period. This warranty applies when the appliance is purchased in the United States including its territories and possessions, or in Canada or from a U. S. Military Exchange. Appliances purchased elsewhere are covered by a limited one year warranty which covers the cost of parts only. This warranty does not apply if the appliance is used in a commercial or rental application.

This warranty only applies when the product is in use in the country or territory in which it is purchased.

Warranty service can only be obtained by presenting the appliance to one of the following authorized warranty service outlets. Proof of purchase will be required before service is rendered.

1. Hoover Factory Service Centers.
2. Hoover Authorized Warranty Service Dealers (Depots).

For an automated referral of authorized service outlets in the U.S.A., phone 1-800-944-9200 OR

visit The Hoover Company on-line at www.hoover.com

This warranty does not cover pick up, delivery, or house calls; however, if you mail your appliance to a Hoover Factory Service Center for warranty service, transportation will be paid one way.

While this warranty gives you specific legal rights, you may also have other rights which vary from state to state.

If further assistance is needed, or if there are questions concerning this warranty or the availability of warranty service outlets, write or phone the Consumer Response Center, The Hoover Company, 101 East Maple St., North Canton, Ohio 44720. Phone: (330) 499-9499.

In Canada, contact Hoover Canada, Burlington, Ontario L7R 4A8, 1-800-263-6376.