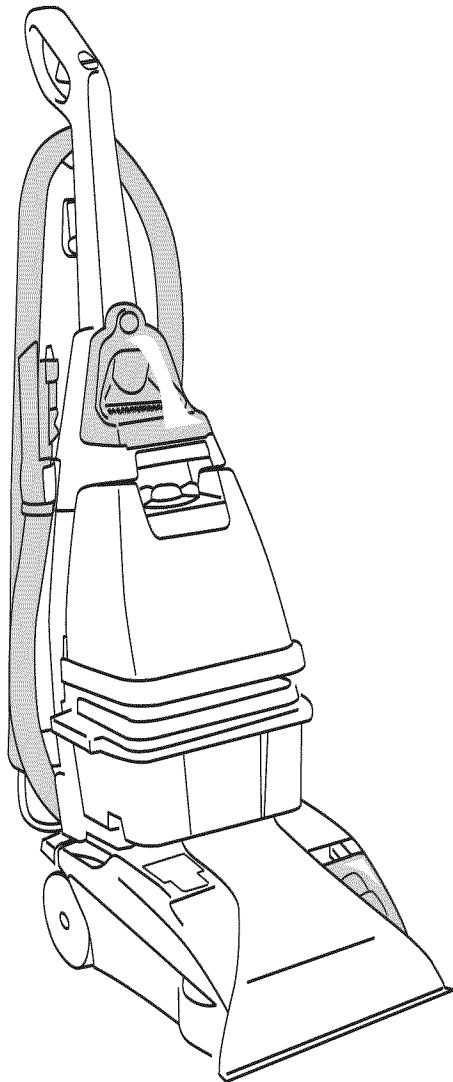


# HOOVER® SteamVac™

**Owner's  
Manual**



**with Clean Surge™  
The Easy to Use Carpet Cleaner  
with attached tools**



ENGLISH → pp. 1-16  
ESPAÑOL → pág. 17-25  
FRANÇAIS → p. 26-35

## **Contents**

Important safeguards .....	2
Parts needed for assembly .....	3
Assembling carpet cleaner .....	3-5
Carpet cleaner description .....	6
General operation .....	6-9
Filling the clean solution tank ..	7-8
Emptying the recovery tank ..	8-9
Brush speed selector .....	7
Brush Indicator .....	7
How to use	
Before you begin .....	9
After cleaning .....	9-10
Cleaning carpet .....	10
Picking up spills .....	10
Cleaning bare floors .....	10-11
Using the tools .....	11-14
Cleaning carpeted stairs .....	13
Cleaning upholstery .....	13-14
If you have a problem .....	15
Lubrication .....	15
Service .....	16
Storage .....	16
Warranty .....	16
Parts & accessories mail order form .....	35

**HOOVER® SteamVac™ cleans carpet fibers by applying,  
scrubbing and removing hot tap water and cleaning solution.**



# Review this manual before operating carpet cleaner

## Important Safeguards!

When using an electrical appliance, always follow basic precautions, including the following:

READ ALL INSTRUCTIONS BEFORE USING APPLIANCE.

**WARNING:** To reduce the risk of fire, electric shock, or injury:

- Use indoors only.
- Use only on surfaces moistened by the cleaning process or small spills. Do not immerse product.
- Connect to a properly grounded outlet only. See "Grounding Instructions".
- Do not clean over floor electrical outlets.
- Do not use without tanks in place.
- Use extra care when cleaning on stairs. Do not place carpet cleaner on stairs.
- Use carpet cleaner only for its intended use as described in the instructions.
- Use only attachments recommended by Hoover; others may cause hazards.
- The use of an extension cord is not recommended. If an extension cord is absolutely necessary, use at least a 16 gauge 3-wire cord which has a 3-prong grounding type plug and a 3-pole receptacle that accepts the machine plug.
- Unplug carpet cleaner when not in use. Turn off all controls before unplugging.
- Unplug before connecting the powered hand tool.
- Always disconnect cord from electrical outlet before servicing the carpet cleaner.
- Do not unplug by pulling on cord. To unplug, grasp the plug, not the cord.
- Never handle plug or appliance with wet hands.
- Do not pull or carry by cord, use cord as a handle, close door on cord or pull cord around sharp edges or corners. Do not run appliance over cord. Keep cord away from heated surfaces.
- Do not use with damaged cord or plug. If appliance is not working as it should, has been dropped, damaged, left outdoors, or dropped into water, take it to a Hoover Sales and Service Center or Authorized Hoover Warranty Service Dealer.
- Close supervision is necessary when any appliance is used by or near children. Do not allow carpet cleaner to be used as a toy or to run unattended at any time.
- Do not point tools toward people or pets.
- Use only commercially available floor cleaners intended for machine application. Do not use any type of wax with carpet cleaner.
- When using recommended chemicals with this machine, be certain area is well ventilated.
- To assist in reducing drying time, be certain the area is well ventilated when using detergents and other cleaners with this machine.
- Keep detergents and other cleaners out of children's reach.
- Do not use to pick up flammable or combustible liquids such as gasoline or use in areas where they may be present.
- Do not pick up chlorine bleach, drain cleaner, gasoline or any other toxic material with this appliance.
- Do not pick up anything that is burning or smoking, such as cigarettes, matches, or hot ashes.
- Avoid picking up hard, sharp objects with the carpet cleaner. They may damage the machine.
- Keep hair, loose clothing, fingers, feet and all parts of body away from openings and moving parts.
- Do not put any object into openings. Do not use with any opening blocked; keep free of dust, lint, hair, and anything that may reduce air flow.
- To help prevent matting and resoiling, avoid contact with carpets until they are dry. Keep children and pets away from carpets until they are completely dry.
- Store in a dry place. Do not expose machine to freezing temperatures.

## Save these instructions!

### Fill in and Retain

This HOOVER carpet cleaner is designed for cleaning carpet, rugs, carpeted stairs and upholstery.

The model and serial numbers are located on the data label on the back of the handle.

For your personal records, please enter the COMPLETE model and serial numbers in the spaces provided and retain this information.

Your carpet cleaner is model no. \_\_\_\_\_ and has serial no. \_\_\_\_\_

It is suggested that you attach your sales receipt to this owner's manual.

Verification of date of purchase may be required for warranty service of your Hoover product.

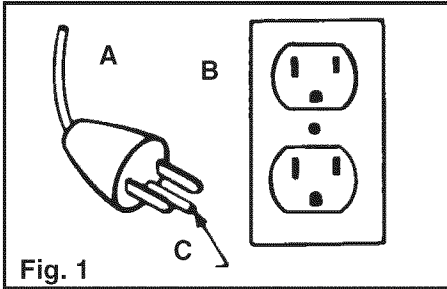
**Thank you for choosing a HOOVER product.**

**If you need any assistance:**

Visit our website at [hoover.com](http://hoover.com). Click on the "Service" button to find the service outlet nearest you OR  
 Call **1-800-944-9200** for an automated referral of service outlet locations (U.S. only) OR  
 Call 1-800-263-6376 to speak with a representative in our Consumer Response Center, Mon-Fri 8am-7pm EST.

**PLEASE DO NOT RETURN THIS PRODUCT TO THE STORE.**

**Grounding Instructions**

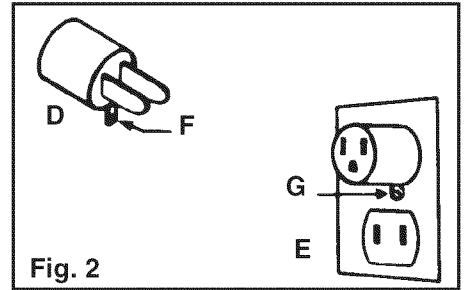


**Fig. 1**

This appliance must be grounded. If it should malfunction or breakdown, grounding provides a path of least resistance for electrical current to reduce the risk of electric shock. This appliance is equipped with a cord having an equipment-grounding conductor (C) and grounding plug (A). The plug must be plugged into an appropriate outlet (B) that is properly installed and grounded in accordance with all local codes and ordinances.

**DANGER-**

Improper connection of the equipment-grounding conductor can result in the risk of electric shock. Check with a qualified electrician or service person if you are in doubt as to whether the outlet is properly grounded. Do not modify the plug provided with the appliance - if it will not fit the outlet, have a proper outlet installed by a qualified electrician. This appliance is for use on a nominal 120 volt circuit and has a grounding plug that looks like the plug (A) illustrated in sketch (Fig. 1).

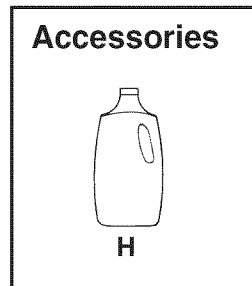
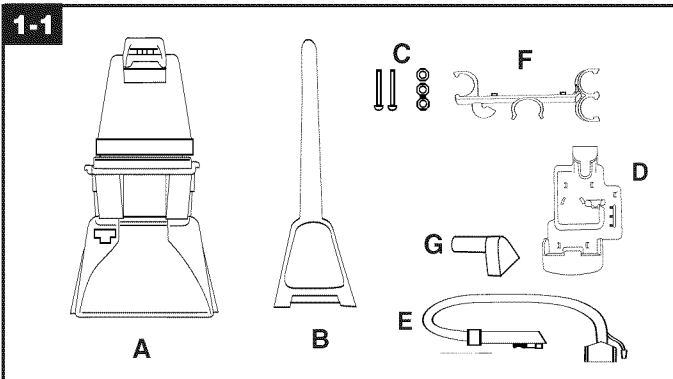


**Fig. 2**

A temporary adapter (D) may be used to connect this plug to a 2-pole receptacle (E) if a properly grounded outlet is not available (Fig. 2). The temporary adapter should be used only until a properly grounded outlet (B) can be installed by a qualified electrician (Fig. 1). The green colored rigid ear, lug, or the like (F) extending from the adapter must be connected to a permanent ground (G) such as a properly grounded outlet box cover (Fig. 2). Whenever the adapter is used, it must be held in place by a metal screw. **NOTE:** In Canada, the use of a temporary adapter is not permitted by the Canadian Electrical Code.

**1. Assembly**

**Carton contents**

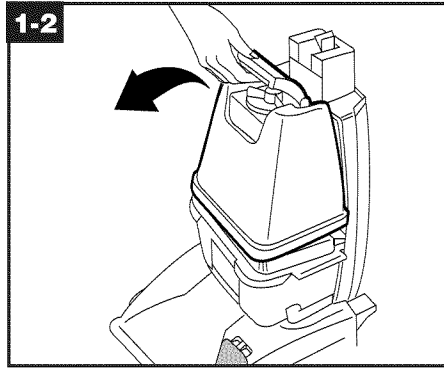
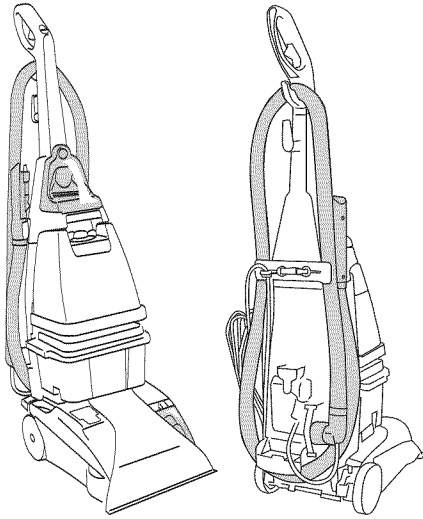


**H. Carpet/Upholstery Detergent**

- A. Carpet cleaner
- B. Upper handle
- C. Handle bolts and nuts
- D. Tool holder with screw
- E. Hose
- F. Hose holder
- G. Stair/upholstery nozzle

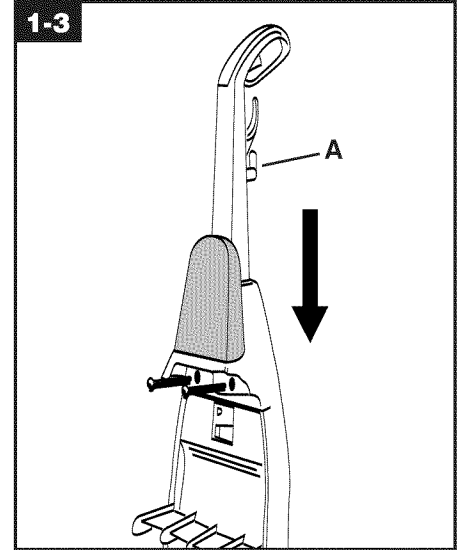
Additional accessories not included with your model may be purchased separately using the order form located at the back of this manual.

The assembled cleaner will look like this drawing.

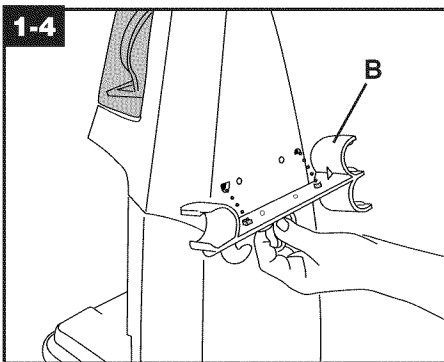


### 1-2 Attach upper handle

Remove clean solution tank (upper tank) from carpet cleaner.

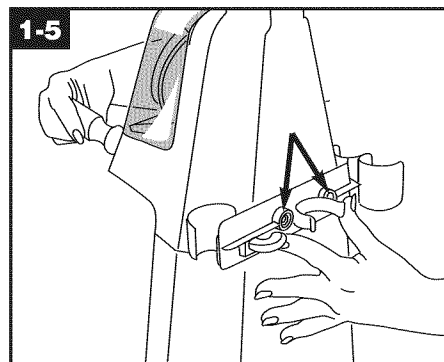


With cord hook (A) to back of carpet cleaner, push upper handle down onto lower handle. Push **bolts** into holes on **front of handle**. If bolts will not go through hole easily handle is not pushed completely down.

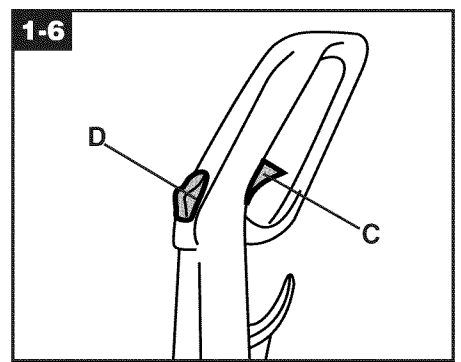


### 1-4 Attach hose holder

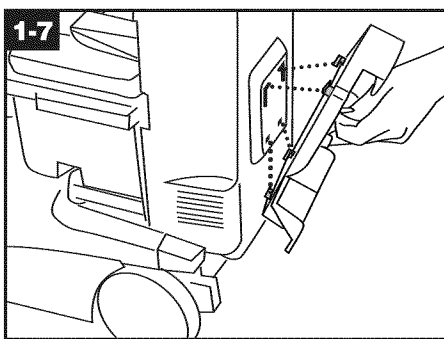
Position hose holder (B) onto handle by matching tabs on rack with openings on back of handle. Make sure bolts are through holes.



Place **nuts** in recessed areas on **back of hose holder**. Hold each nut in place while tightening each bolt securely (from the front of the handle) with a Phillips screwdriver. Only two nuts are needed on this model. The extra nut is not required but has been provided for your convenience.

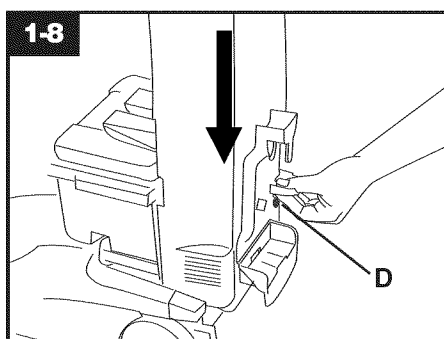


When handle sections are completely together, squeeze trigger (C) and depress Clean Surge™ button (D) on upper handle. You will hear a “snap” when the trigger rod is in place.

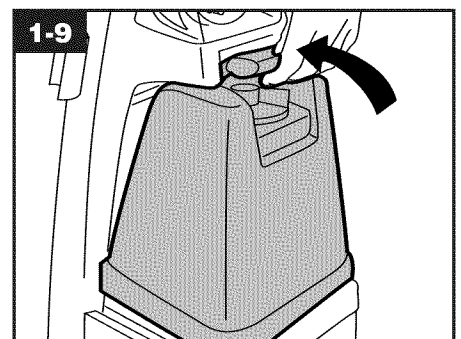


### 1-7 Attach tool holder

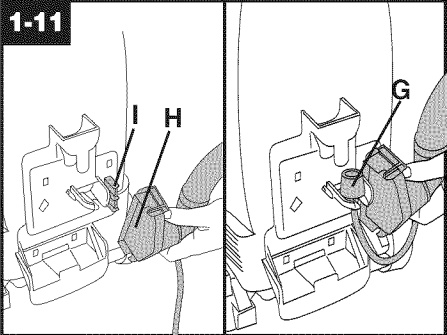
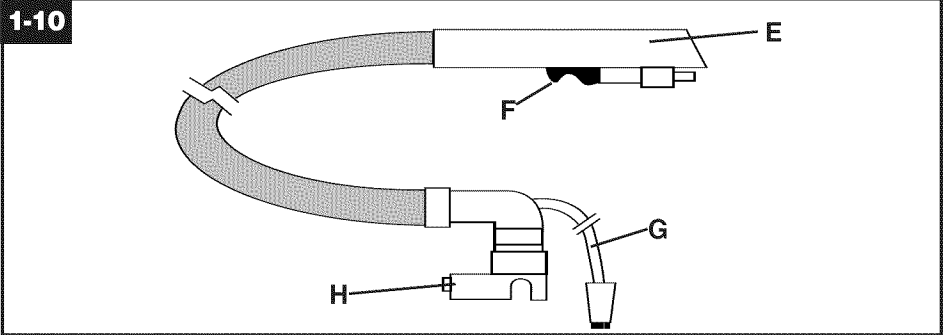
Remove tool and taped screw from holder. Insert projections on holder into slots on back of cleaner.



Slide holder down into place. Insert screw at (D) and tighten with a Phillips screwdriver.



Replace clean solution tank (upper tank) by positioning bottom first. Press on tank handle to snap top of tank into place.



**Storing hose**

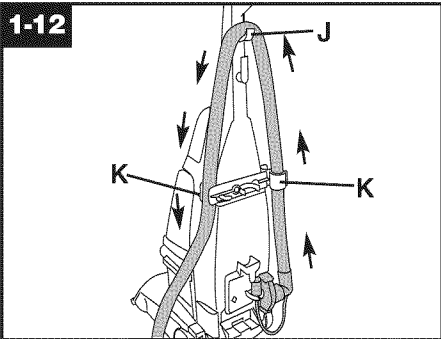
Stretch hose out and identify ends.

**E. Nozzle connector end of hose**  
**F. Trigger**

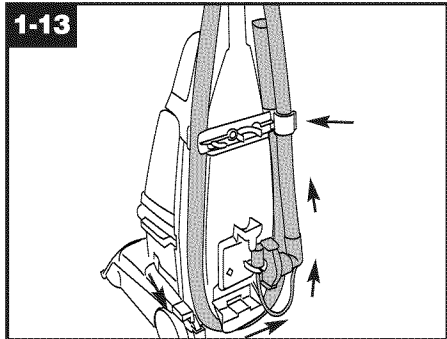
**G. Solution tube**  
**H. Converter end of hose**

**Note:** You may find it helpful when storing the hose to refer to the **information on the back of the carpet cleaner and on the converter end of the hose.**

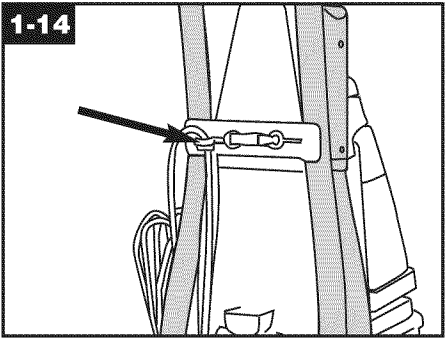
Start with converter end of hose (H). Fit converter over tab near tool holder (I). Press converter firmly to snap in place. Press solution tube (G) into clip next to converter as shown.



Wrap hose around hook on upper handle (J). Press hose into clips on upper hose holder (K).

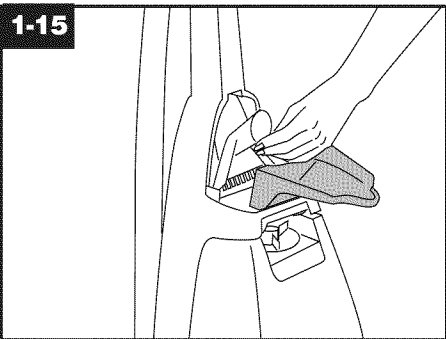


Wrap hose around lower tool holder and continue until nozzle connector is near upper hose holder. Clip hose in place.



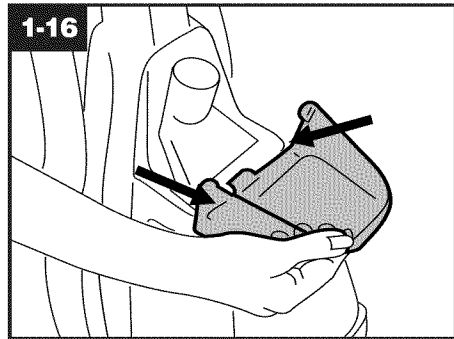
Press cord into cord clip on back of hose holder. Pull cord tight.

**Upfront tool storage**



**Stair/upholstery nozzle**

To store stair/upholstery nozzle, open tool door, place nozzle in bracket and fit it securely into position. To remove, reverse this procedure.



**How to reattach tool cover**

The tool cover is designed with a break-away feature which allows it to snap free if it is pushed open too far.

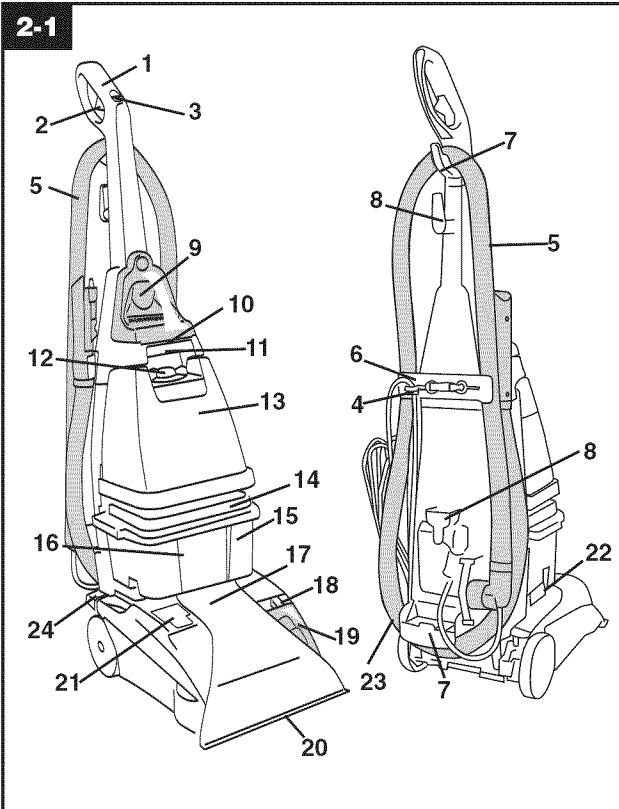
To reattach, align hinges of cover with slots on sides of tool storage area.

Push cover down to secure in place.

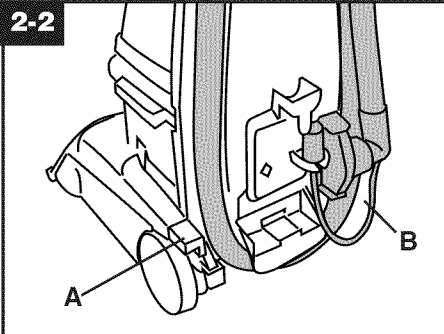
## 2. How to use

### Carpet cleaner description

The assembled carpet cleaner will look like the drawing.



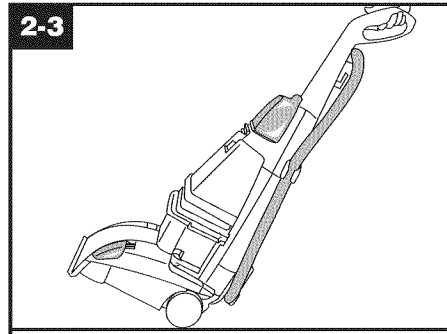
1. **Hand grip**
  2. **Solution trigger:** press to release clean solution.
  3. **Clean Surge™ button**
  4. **Cord clip:** place cord in clip to keep it out of the way when using cleaner
  5. **Hose**
  6. **Hose holder:** wrap hose around holder and hooks for storage.
  7. **Hose hooks**
  8. **Cord hooks:** wrap cord around hooks for storage. The top hook can be rotated right or left for quick and easy cord release.
  9. **Stair/upholstery nozzle**
  10. **Carrying handle**
  11. **Clean solution tank handle**
  12. **Clean solution tank cap/measuring cup**
  13. **Clean solution tank:** holds cleaning solution.
  14. **Recovery tank lid**
  15. **Recovery tank:** holds dirty solution.
  16. **Recovery tank front panel**
  17. **Hood**
  18. **Brush speed selector:** slide selector to set brush speed on HI, LO, or OFF.
  19. **Brush Indicator:** spins when brushes are rotating.
  20. **Nozzle**
  21. **Solution tube connection**
  22. **Recovery tank latches**
  23. **ON/OFF pedal**
  24. **Handle release pedal:** step on pedal to lower handle to operating (floor) position.
- This carpet cleaner is intended for household use.**
- Operate carpet cleaner only at voltage specified on data plate on back of cleaner. Plug carpet cleaner into a properly grounded outlet.**



#### ON/OFF pedal & Handle release pedal

Step on pedal (A) to turn carpet cleaner on. Step on pedal again to turn carpet cleaner off.

Step on pedal (B) to lower handle to operating position. Handle does not lock into a single position but “floats” to allow convenient operation.

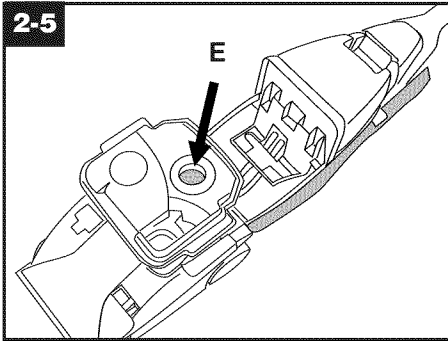


#### To transport

To move your carpet cleaner from room to room put handle in upright and locked position tilt carpet cleaner back on wheels and push forward.



The carpet cleaner may also be lifted by placing a hand under the upper clean solution tank handle as shown.



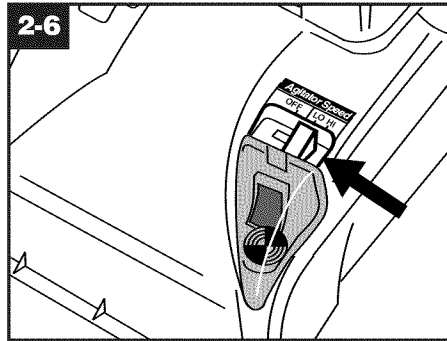
### Automatic “shut off”

When the recovery tank (lower tank) is full the automatic shutoff mechanism will shut off the carpet cleaner suction (**suction will be noticeably reduced**).

At that time the yellow float disk will rise to the top of the recovery tank lid (E). The carpet cleaner will no longer pick up dirty solution and the **motor sound will become noticeably higher in pitch**.

**When this happens turn carpet cleaner off and empty recovery tank** before continuing use.

Check clean solution tank also; it may need to be refilled.



### Brush speed selector

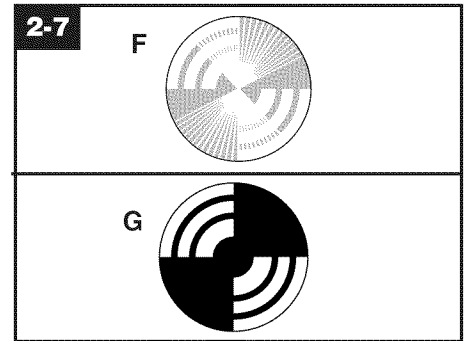
Your SteamVac™ carpet cleaner has three agitator brush settings.

**HI** - for normal cleaning of carpet and bare floors

**LO** - for gentle cleaning of carpets and bare floors

**OFF** - for cleaning carpets and bare floors when brushing is not desired. (Such as when picking up liquid spills. See page 11.)

Slide selector button to the desired setting before cleaning.



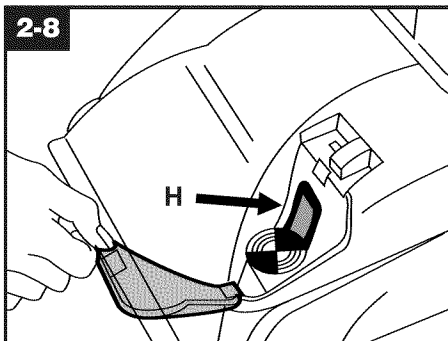
### Brush indicator

The brush indicator will spin (F) when the carpet cleaner is turned ON and the brushes are rotating.

**If the indicator does not spin and the pattern is visible (G) when the carpet cleaner is turned ON, the brushes are not rotating.**

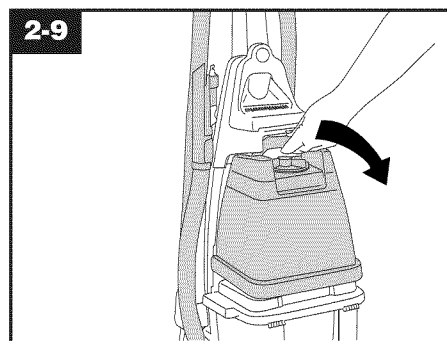
There are three reasons why the brushes may not be rotating:

1. Brush speed selector set on OFF (see previous section).
2. Solution tube connected (Fig. 3-10).
3. Brush indicator screen dirty (Fig. 2-8).



To clean screen (H), **turn carpet cleaner off and disconnect from electrical outlet**.

Remove clear cover and wipe off screen with a damp cloth. Snap cover back into position.



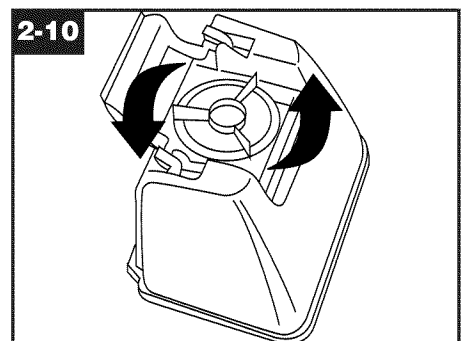
### The tanks Clean solution tank (upper tank)

The clean solution tank holds the cleaning solution that is to be dispersed onto the surface to be cleaned.

**How to fill**  
**Disconnect carpet cleaner from electrical outlet.**

Place carpet cleaner handle in the upright, locked position.

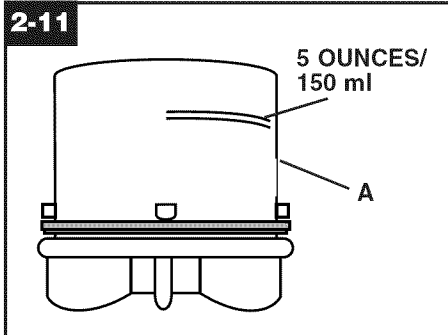
To remove tank, press down on handle and pull forward.



Carry tank to a sink.

Rotate tank cap counterclockwise and lift up to remove cap.





Turn cap (A) upside down to serve as a measuring cup.

Using cap, measure detergent following the chart below.

**For carpet, carpeted stairs and upholstery:**

Fill cap to **fill line** (5 ounces) with HOOVER **Carpet/Upholstery Detergent**.

**For bare floors:**

Fill cap to **fill line** (5 ounces) with HOOVER **Hard Floor Cleaning Solution\***.

Do not use Hard Floor Cleaning Solution on carpet or upholstery. **Do not use any type of wax with your SteamVac™ carpet cleaner.**

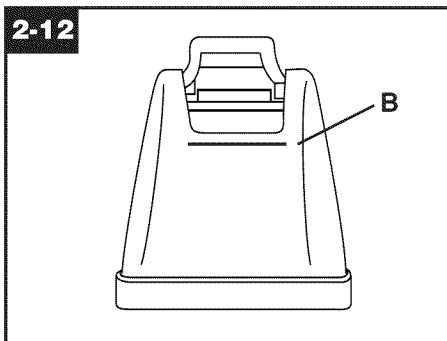
**NOTE: Use only HOOVER detergents.** They are specially formulated for use with your SteamVac™ carpet cleaner.

\*Available at additional cost if not included with your model.

**For heavy traffic areas: Pre-treat with HOOVER Spot and Stain Spray Cleaner.**

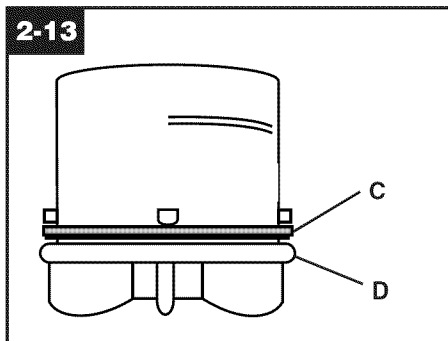
**If you do not have access to the Spot and Stain Spray Cleaner, double the amount of HOOVER Carpet/ Upholstery Detergent (use 2 capfuls or 10 ounces per 1 gallon tank).**

**CAUTION: Detergents contain Anionic and Nonionic Surfactants. Avoid contact with eyes and skin. In case of contact with eyes, flush with cold water for 15 minutes. In case of contact with skin, wash with water. If Irritation persists, call a physician.**

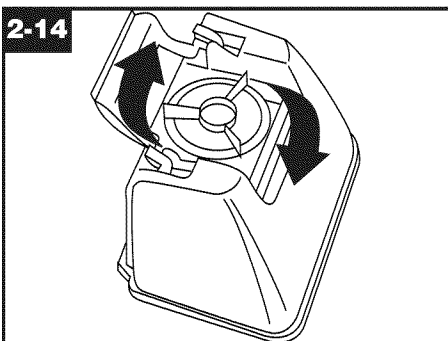


**Pour detergent into tank. Fill tank to fill line (B) (1 gallon) with hot tap water.**

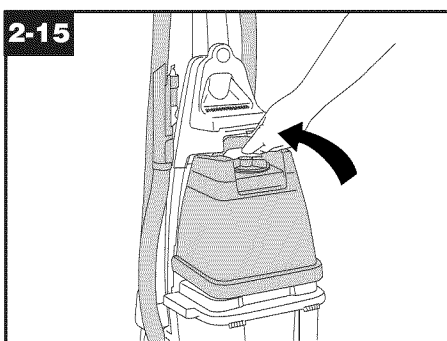
To assure proper performance, **use only HOOVER cleaning detergent.**



If rubber ring (C) on cap has become dislodged, reposition it with uneven side against ledge (D) as shown.



Replace cap. **Rotate cap clockwise until it locks in place. Cap must be locked in place for proper performance and to prevent leaking.**



Position bottom of tank into unit and press on tank handle to snap tank into place.

**Recovery tank (lower tank)**

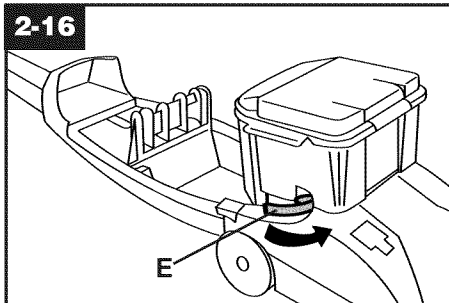
The recovery tank holds the dirty solution that is picked up from the carpet.

When the recovery tank is full, the automatic shut-off will engage (see page 8) and the tank must be emptied.

**How to empty**

**Turn carpet cleaner off and disconnect from electrical outlet.**

To prevent possible leaking, remove clean solution tank (Fig. 2-9) by pressing down on tank handle and pulling forward; set tank aside (**do not set tank on furniture**).

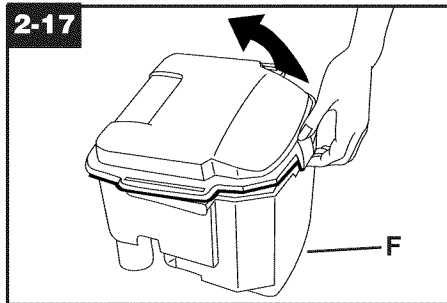


Step on handle release pedal and lower handle until it rests on the floor.

If cleaning stairs or upholstery, remove hose by reversing procedure as shown on pages 12 and 13.

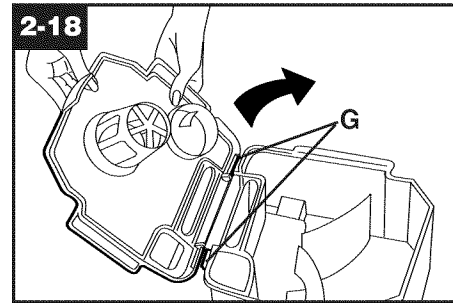
Rotate recovery tank latches (E) outward (one on each side of tank).

Lift tank off of carpet cleaner and carry it to a sink or drain.



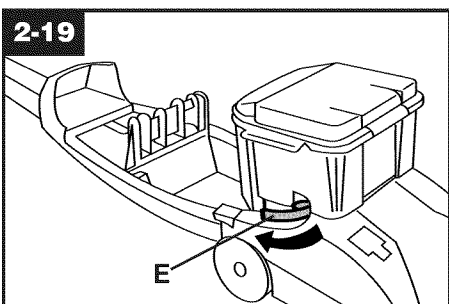
Unlatch back part of tank lid and remove lid.

Empty tank. Pour dirty water out from the rear of the tank (F).



**The lid replaces in a hinge-like manner.** Position the front of lid under tabs (G) on front of tank. Rotate lid down onto tank. **Make sure that the lid is secure on all sides before placing tank on cleaner.**

**For full suction, it is important that the recovery tank lid is properly secured before cleaning.**



Replace tank and press down to ensure that it is properly seated in place.

**Rotate latches (E) (one on each side of tank) inward to lock tank in place.**

To continue cleaning stairs or upholstery, replace hose as shown on pages 12 and 13.

Raise handle to upright position and replace upper clean solution tank.

## 3. How to clean

### Before you begin cleaning

**a. Vacuum thoroughly** - For carpet, use a vacuum cleaner with an agitator for best results. Vacuum upholstery with a vacuum cleaner with cleaning tool attachments. Use a crevice tool to reach into tufts and folds. **Do not use the SteamVac™ carpet cleaner as a dry vacuum cleaner.**

**b. For upholstery, check cleaning code** - Use your HOOVER SteamVac™ carpet cleaner only if the upholstery fabric is marked with a "W" (for "wet" clean) or "S/W" (for "solvent/dry" or "wet" clean). **Do not clean fabric marked "S" ("solvent/dry" clean only).** If your upholstery does not have a code, seek professional assistance.

**c. Test for colorfastness** - Mix detergent and water according to the instruc-

tions under "Fill clean solution tank" on pages 8 and 9. Wet a white absorbent cloth with the solution. In a small, hidden area, gently rub the surface with the dampened cloth. Wait ten minutes and check for color removal or bleed with white paper towel or cloth. If surface has more than one color, check all colors.

**d. When cleaning entire floor, move furniture out of area to be cleaned** (may not be necessary if only high traffic areas are to be cleaned). For furniture too heavy to move, place aluminum foil or wax paper under legs. This will prevent wood finishes from staining carpet. Pin up furniture skirts and draperies.

**e. Pretreat spots and heavy traffic areas with HOOVER® Spot and Stain Spray Cleaner\***- Test Spot and Stain Spray Cleaner for colorfastness by first spraying it on a hidden area; wait ten minutes and blot with white paper towels or cloth.

If no color change is visible, spray Spot and Stain Spray Cleaner onto spots and traffic areas. Wait at least ten minutes. Use your SteamVac™ carpet cleaner to pick up Spot and Stain Spray Cleaner and spot. Repeat until spot is removed; carefully scrub with a household scrub brush if necessary.

**Do not saturate** carpet or upholstery with Spot and Stain Spray Cleaner.

**If you do not have access to the Spot and Stain Spray Cleaner, double the amount of HOOVER Carpet/ Upholstery Detergent (use 2 capfuls or 10 oz. per 1 gallon) in the clean solution tank.**

No cleaning solution removes all stains from all carpets. Stain removal varies

with the type of spill, time elapsed before removal, carpet material, and carpet type.

**f. To prevent staining**, use plastic or aluminum foil to protect wood or metal surfaces from possible water spray.

**g. To avoid wetting and possible damage to wood floors underneath area rugs/carpet**, either move area rugs/ carpet to a non-wood bare floor surface or place waterproof material (e.g. plastic) underneath them before cleaning.

See pages 11 and 12 for instructions on various cleaning tasks.

\*Available at additional cost if not included with your model.

### After cleaning

**a.** Allow carpet or upholstery to dry. To help prevent matting and resoiling the carpet, keep children and pets away from surface until it is **completely dry. If it is necessary to walk on damp** carpet, place towels or white cloths on the traffic areas.

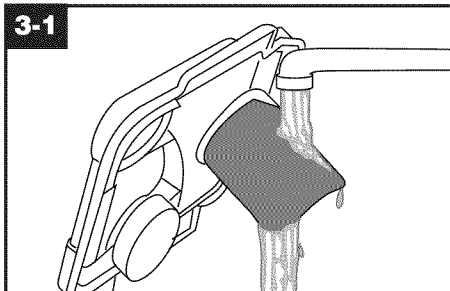
If furniture must be replaced before the carpet is dry, use plastic or aluminum foil pads under legs of furniture so metal slides or wood finishes will not stain the carpet.

**b.** If desired, the carpet may be rinsed. **Rinsing is not necessary for cleaning**, but it may improve the surface's appearance after it is dry.

If rinsing is desired, be careful not to over-wet the carpet or upholstery.

**Allow time for carpet or upholstery to dry completely between cleaning and rinsing.** To rinse, follow the same procedure for cleaning only using hot tap water with no detergent in the upper clean solution tank.

c. Empty tanks, rinse with clear water and let air dry. Rinse the solution tank cap and recovery tank lid and let air dry.



d. Remove debris from recovery tank filter and rinse with clean water.

**Note:** If the filter must be removed for cleaning, it is easier to replace if the filter is wet.

e. **Vacuum thoroughly after carpet has completely dried.** This will help reduce any shading left by the carpet cleaner's brushes.

5. Squeeze trigger to release cleaning solution and **slowly** push carpet cleaner forward (equals one wet stroke).

6. Continue to squeeze trigger and **slowly** pull carpet cleaner back toward you (second wet stroke). Release trigger and slowly push carpet cleaner forward over area just sprayed with solution (dry stroke). Then **slowly** pull carpet cleaner back toward you without squeezing trigger (dry stroke).

7. Overlap strokes by 1 inch to help prevent streaking. Keep nozzle flat on floor for both forward and reverse strokes.

8. For heavily soiled areas, repeat steps 5-7.

9. For particularly soiled carpet or spots, use the Clean Surge™ button (see following section). Avoid saturating carpet, as noted below.

**Note: To avoid saturating carpet, do not use more than 4 wet strokes over one area. Always end with dry strokes.**

It is best to alternate wet and dry strokes as described above.

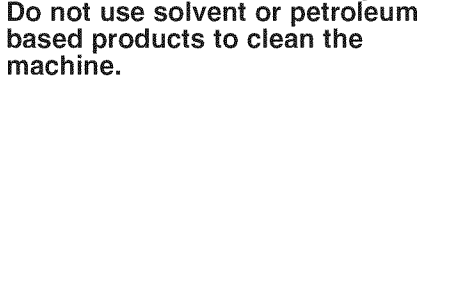
For best cleaning results and to aid in faster drying of carpet, end with

### To clean nozzle

If lint or other debris becomes lodged in **nozzle, do not attempt to remove nozzle cover.**

Pour one to two cups of clear water on a non-carpeted floor. **Do not pour water onto a wood floor.**

Pick up water with your SteamVac™ carpet cleaner. Repeat as necessary until debris is flushed out of nozzle. To clean the outside of the machine, wipe off dirt with a cloth dampened in warm water and mild detergent. **Do not use solvent or petroleum based products to clean the machine.**



### Clean Surge™ Button

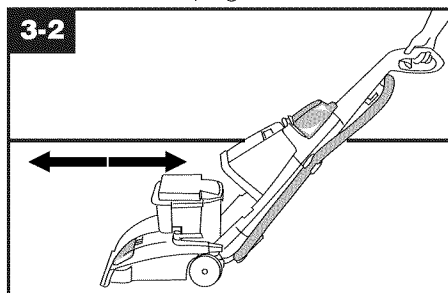
The Clean Surge™ button can be used to dispense extra solution when cleaning particularly soiled areas of carpet or spots.

To use, press Clean Surge™ button while squeezing solution trigger. For normal solution spray, release button and continue to squeeze solution trigger.

## Carpet Cleaning

Read “Before you begin cleaning” instructions on page 10.

1. Fill clean solution tank (upper tank) with HOOVER Carpet/Upholstery Detergent according to instructions on pages 8 and 9.



2. Move speed selector to **LO** for gentle cleaning or **HI** for normal cleaning.

3. Dry hands and plug cord into a properly grounded outlet. **Do not clean over floor electrical outlets.**

4. To avoid walking on damp carpet, start at the end of the room farthest from the door or path to sink where tanks will be emptied and filled.

Step on handle release pedal and lower handle to operating position; turn carpet cleaner ON.

## Picking up spills

Your HOOVER SteamVac™ carpet cleaner may also be used to pick up **small liquid spills (1 gallon or less, never to exceed 1/4 inch in depth)** on carpet, upholstery, or bare floors.

For best results, pick up spills immediately by placing the stair/upholstery nozzle just above the spill and suction up any residue on top of the carpet. If the spill remains, place either the stair/upholstery nozzle or floor nozzle *with brushes turned OFF* in front of the spill, pull the nozzle very slowly over the spill initially with suction only. Repeat with spray and suction.

**When picking up spills on bare floors, use only the floor nozzle with the bare floor attachment in place and speed selector in the OFF position** (this will help prevent spreading the spill).

If a spot is left, the stair/upholstery nozzle is generally more effective for removing it. Although no cleaning solution can completely remove all spots, they can be treated by following the instructions provided by the manufacturer of the carpet, upholstery, or bare floor surface being cleaned.

**Continued → 11**

## Cleaning bare floors

**Do not use the SteamVac™ carpet cleaner to pick up flammable or combustible liquids or chemicals.**

When finished, follow “After cleaning” instructions on pages 10 and 11.

**How to attach bare floor attachment (available at additional cost)**

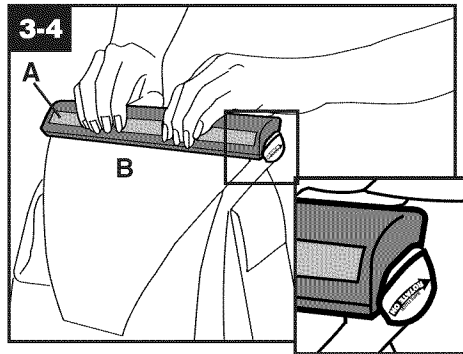
**Disconnect carpet cleaner from electrical outlet.**

To prevent possible leaking, remove clean solution tank and recovery tank before positioning bare attachment.

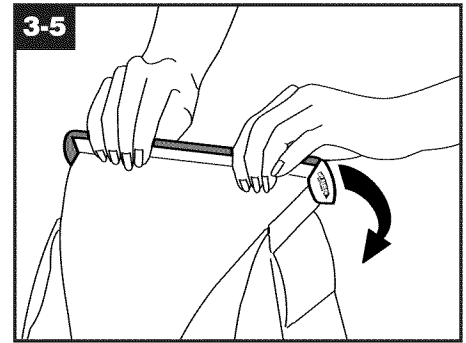
Refer to Fig. 2-9 to remove clean solution tank. Set tank aside (do not set tank on furniture).

Refer to Fig. 2-16 to remove recovery tank.

With handle in upright position, tilt cleaner back so that handle rests on the floor.



With foam strip (A) (located under the netting) in position as shown, place attachment on front of nozzle (B). Make sure arrow on end of attachment points in the direction as shown.



Push attachment against nozzle while rotating attachment downward until both ends snap into place.

**(Note: Some force may be required to rotate and snap attachment into place.)** Return carpet cleaner to upright position. Lower handle and replace recovery tank.

Raise handle to upright position and reposition clean solution tank.

## To clean floor

**Read Before you begin cleaning instructions on page 10.**

**Do not use the SteamVac™ carpet cleaner on hardwood floors.**

Fill clean solution tank with HOOVER Hard Floor Cleaning Solution (available at additional cost if not included with your model) according to instructions on pages 8 and 9.

**Do not use any type of wax with your SteamVac™ carpet cleaner.**

**Move speed selector to the Lo or HI position for scrubbing or OFF if scrubbing is not desired.**

Dry hands and **plug carpet cleaner into a properly grounded outlet.**

Step on handle release pedal and lower handle to operating position; turn carpet cleaner ON.

To release solution, press trigger. Slowly move carpet cleaner forward and backward over area to be cleaned.

To pick up dirty solution, release trigger and slowly move carpet cleaner over area where solution has just been dispersed. Use both forward and reverse strokes.

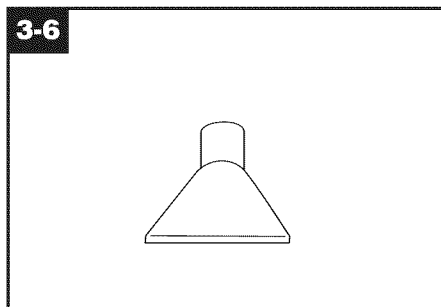
Empty recovery tank when the motor sound becomes higher pitched and there is a loss in suction (see “Automatic shut-off”, page 8).

When finished cleaning, follow “After cleaning” instructions on pages 10 and 11.

Remove attachment from nozzle and rinse in clear water. **Do not remove plastic screen or foam from attachment.**

**Stair/upholstery nozzle** has a built-in brush to help provide the scrubbing action some spots may need for removal.

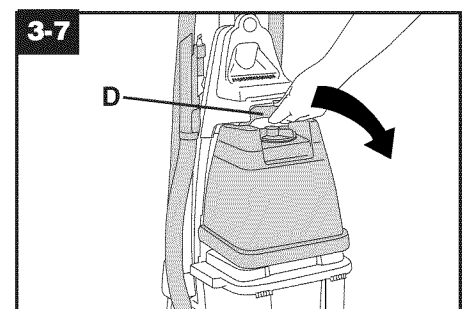
## Using the tool



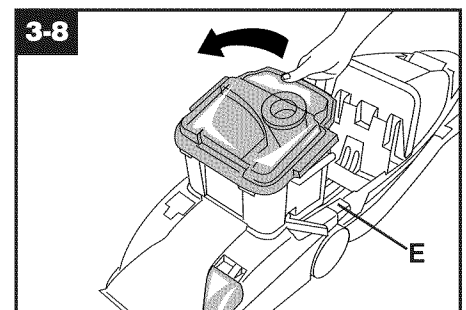
## How to attach tool

All tools connect to the hose in the same manner.

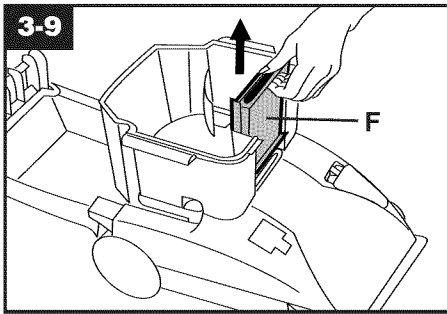
**How to attach hose**  
**Disconnect carpet cleaner from electrical outlet.**



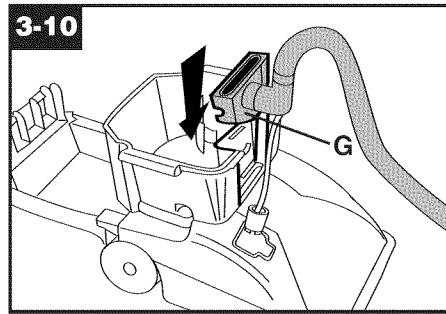
1. To prevent possible leaking, remove clean solution tank by pressing down on tank handle (D) and pulling forward; set tank aside (do not set tank on furniture). Remove hose from storage rack.



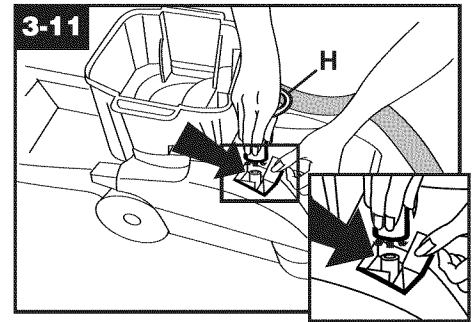
2. Step on handle release pedal (E) and lower deep cleaner handle until it rests on the floor. Unlatch back part of recovery tank and remove lid.



3. Remove recovery tank front panel (F) by sliding it straight up.

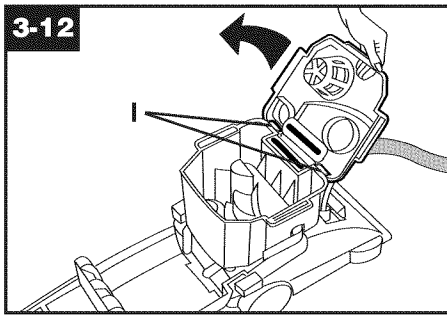


4. Replace panel with converter (G). Slide converter halfway down opening until it is firmly in place.



5. **Before connecting tube (H) to cleaner, make sure black tabs are extended by pulling tan collar toward tube.**

Open door on hood labeled "Stair/upholstery Cleaning Connection". Press round solution tube connector onto round projection inside door. **Press connector collar down firmly to ensure that it is fully connected.**



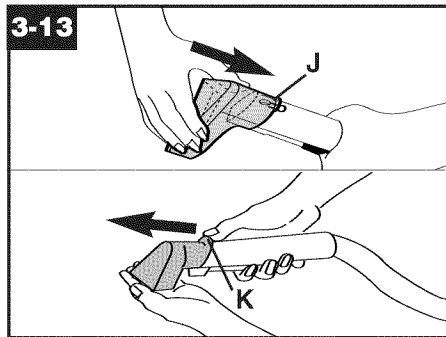
6. **The tank replaces in a hinge-like manner.** Position front of lid under tabs (I) on front of tank. Rotate lid down onto tank.

**Make sure lid is secure on all sides before cleaning.**

**For full suction, it is important that the recovery tank lid is properly secured before cleaning.**

**Reverse procedure to remove hose and solution tube.**

Raise carpet cleaner handle to upright position.



1. Attach tool to connector end of hose by sliding it onto connector until the tab (J) locks it securely.

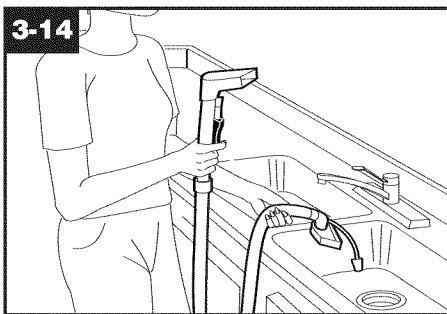
Using your thumb, **push forward and up** on the **latch (K)** to remove tool as shown.

### Before using tool

It may be necessary to remove air from the system ("prime the pump") so the clean solution will flow to the tool. Follow these steps:

1. Attach tool to hose and turn the carpet cleaner ON.
2. Put the tool on a hard surface or against your hand to block off the suction.
3. Wait a few seconds (can take up to 15 seconds). Then squeeze the trigger and begin cleaning.

Follow the instructions on pages 14 and 15 for the appropriate cleaning task.



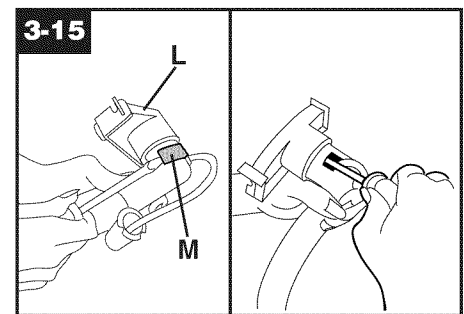
### After using tool

1. Follow steps a and b for "After cleaning" on pages 10 and 11.
2. Drain suction hose by turning carpet cleaner ON and holding end of hose up for several seconds. **Do not press trigger.**

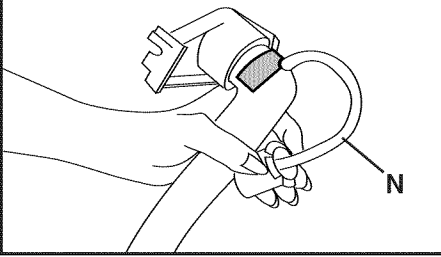
3. **Disconnect carpet cleaner from electrical outlet.**

4. Drain solution tube by placing round end in sink and raising nozzle above your head. Press the trigger.

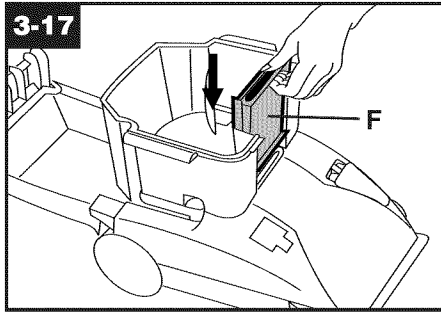
5. Proceed with steps c, d and e for "After cleaning" on pages 10 and 11.



Occasionally, debris may become lodged inside of the hose at the converter end (L). To clean out the hose, lift bottom of converter clip (M) with a screwdriver and remove clip. Remove debris as shown.

**3-16**

Snap clip back into position making sure solution hose (N) is not pinched and moves freely.

**3-17**

Replace recovery tank front panel (F). **Slide panel down until it snaps firmly in place.**

## Cleaning carpeted stairs

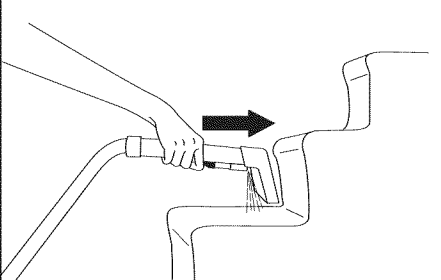
Read “Before you begin cleaning” instructions on page 10.

1. Place handle in upright position. **Agitator brushes will not rotate while handle is in upright position.**
2. Fill clean solution tank with HOOVER Carpet/Upholstery Detergent according to instructions on pages 8 and 9.
3. Attach tool to end of hose.
4. Hose length may require that machine be placed at the top of the stairs to clean upper half of stairway and at bottom of stairs to clean lower half.

**To prevent machine from falling, use extra caution when cleaning on stairs.**

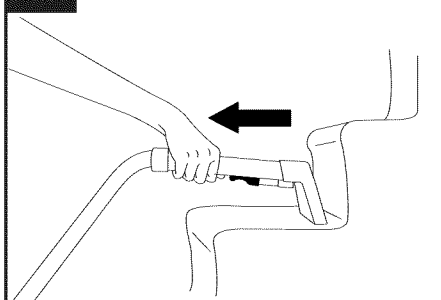
**Do not place carpet cleaner on stairs.**

**Do not point tools toward people or pets.**

**3-18**

5. Dry hands and plug carpet cleaner into a **properly grounded outlet.**
6. Turn carpet cleaner ON. If necessary, refer to “Before using tool” section to remove air from system.
7. Pre-spray the carpeted stair by holding the tool about one inch above the carpet and push it forward while pressing the trigger (equals one wet stroke).

8. Position tool against the riser and slightly press it into carpet pile. Press the trigger and pull the tool **slowly** over the carpet (second wet stroke). Release trigger at end of stroke.

**3-19**

9. Lift tool, and position it against riser. Pull tool **slowly** over carpet without pressing trigger (dry stroke). It is best to alternate wet and dry strokes as described above. End with more dry strokes to aid in faster drying of carpet.
10. Overlap strokes by 1/2 inch to help prevent streaking.

**To avoid saturating carpet, do not use more than 4 wet strokes over any one area. Always end with dry strokes.**

If additional cleaning is necessary, wait until the carpet is completely dry before using the tool again.

11. Empty recovery tank when the motor sound becomes higher pitched and there is a loss in suction (see “Automatic shut-off”, page 8).

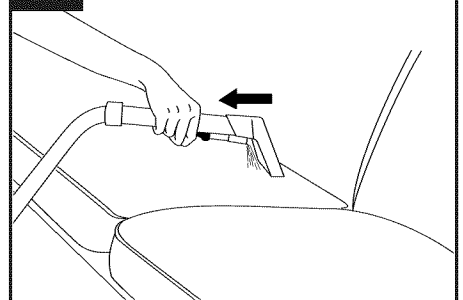
When finished cleaning, follow “After cleaning” instructions on pages 10 and 11 and “After using tool” instructions on pages 13 and 14.

## Cleaning upholstery

Read “Before you begin cleaning” instructions on page 10.

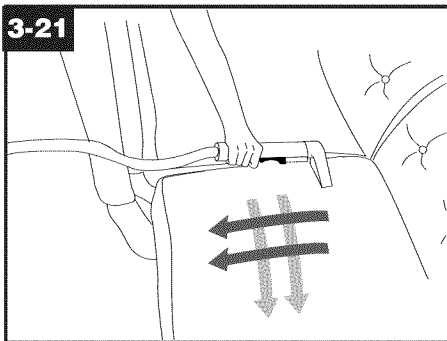
Be sure to check the cleaning code on your upholstery. **Use your HOOVER SteamVac™ carpet cleaner only on upholstery marked “W” or “W/S”.**

1. Place handle in upright position. **Agitator brushes will not rotate while handle is in upright position.**
  2. Fill clean solution tank with HOOVER Carpet/Upholstery Detergent according to instructions on pages 8 and 9.
  3. Attach tool to end of hose.
- Do not point tools toward people or pets.**
4. Dry hands and plug carpet cleaner into a **properly grounded outlet.**

**3-20**

5. Turn carpet cleaner on. If necessary, refer to “Before using tool” section to remove air from system.
  6. Gently press the tool onto the fabric. Press the trigger and slowly pull the nozzle over the fabric.
  7. Overlap strokes by 1/2 inch to help prevent streaking.
- Make additional strokes without pressing the trigger to remove more moisture.
8. To clean in corners or creases, lift the tool one-half inch from the fabric and press the solution trigger.
  9. Vacuum up the solution with the tool without pressing the trigger.

3-21



10. For heavily soiled areas, it may be necessary to repeat the cleaning process. Make crisscrossing strokes to the original pattern; overlap each pass.

**Make no more than 2 passes with the solution over any one area to prevent over-wetting and damage to fabric.**

If additional cleaning is necessary, wait until the upholstery is completely dry before using the tool again.

11. Empty recovery tank when the motor sound becomes higher pitched and there is a loss in suction (see "Automatic shut-off", page 8).

When finished cleaning, follow "After cleaning" instructions on pages 10 and 11 and "After using tool" instructions on pages 13 and 14.

## 4. Maintenance

### Removable brushes

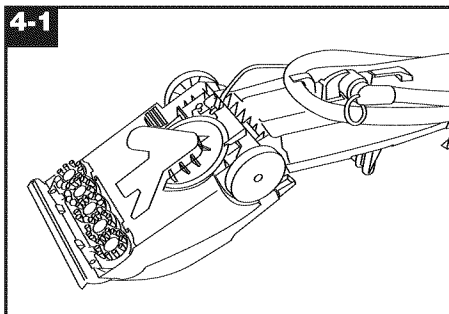
Your carpet cleaner is equipped with removable brushes for easy cleaning.

#### To remove brushes

**Disconnect cleaner from electrical outlet.**

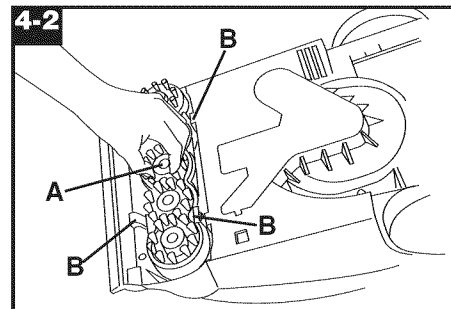
To prevent possible leaking, remove clean solution tank and recovery tank. Set tanks aside.

4-1



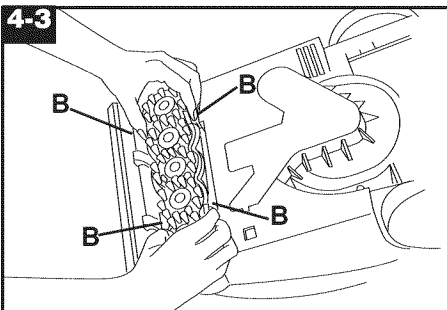
Press handle release pedal to lower handle. Turn cleaner over so bottom is facing up.

4-2



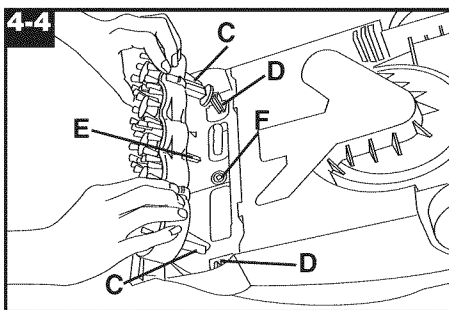
Grasp inner portion of brush (A) and pull brush assembly out slightly to reveal latches (B).

4-3



Press all four latches (B) and pull brush block out. The brushes can be cleaned under running water.

4-4

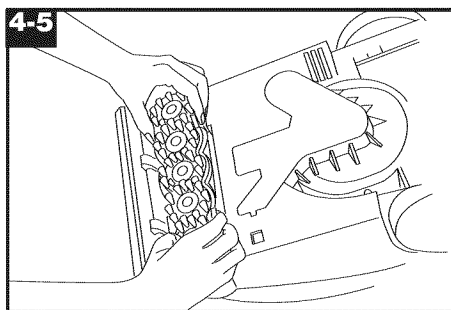


#### To replace brushes

Align posts (C) on both ends of brush assembly with slots (D) in cleaner housing.

Make sure that square post (E) also aligns with square hole (F). Turn brushes slightly until post fits easily into hole.

4-5



Press brush assembly firmly to snap into place.

## Storage

Before storing:

- Empty solution tank and rinse thoroughly with clean water.
- Replace **empty** solution tank and turn carpet cleaner ON. Squeeze trigger and push carpet cleaner forward and back several times to expel any solution remaining in the carpet cleaner's system. (Do not use carpet cleaner on wood floors.)
- Empty recovery tank and rinse thoroughly with clean water.

**Allow brushes and underside of carpet cleaner to air dry thoroughly before storing carpet cleaner on a carpeted or wood surface.**

**Do not store carpet cleaner with a full solution tank in place.**

## Lubrication

The motor is equipped with bearings which contain sufficient lubrication for the life of the motor. The addition of lubricant could cause damage.

**Do not add lubricant to motor bearings.**

## Service

To obtain approved HOOVER service and genuine HOOVER parts, locate the nearest **Hoover Sales and Service Center or Authorized Hoover Warranty Service Dealer (Depot)** by:

- checking the Yellow Pages under Vacuum Cleaners - Household" OR
- calling **1-800-944-9200** for an automated referral of authorized service outlet locations (U.S. only) OR-
- checking the Service section of Hoover on-line at **hoover.com**

**Please do not** send your cleaner to Hoover in Glenwillow, Ohio for service, this will only result in delay.

If further assistance is needed, contact the Consumer Response Center, Phone: 1-800-263-6376, Mon-Fri 8am-7pm EST.

In Canada, contact Hoover Canada, Carson Building, 100 Carson Street, Etobicoke, Ontario M8W 3R9 Phone: 1-800-263-6376, Mon-Fri 8am-7pm EST.

Always identify your cleaner by the **complete** model number when requesting information or ordering parts. (The model number appears on the back of the cleaner.)

## 5. If you have a problem

If a minor problem occurs, it usually can be solved quite easily when the cause is found by using the check list below.

### Problem: Machine won't run

#### Possible cause

*Possible solution*

- **Not firmly plugged in**
- *Plug unit in firmly*
- **No voltage in wall plug**
- *Check fuse or breaker*
- **Blown fuse/tripped breaker**
- *Replace fuse/reset breaker*

### Problem: Low suction

#### Possible cause

*Possible solution*

- **Recovery tank full/automatic shut off engaged**
- *Remove and empty recovery tank*
- **Blockage in tool on end of hose**
- *Remove tool and clear blockage*
- **Recovery tank lid not on correctly**
- *Make sure lid is on securely*
- **Recovery tank front panel not replaced after stair or upholstery cleaning**
- *Replace recovery tank front panel (page 13)*

### Problem: Clean solution won't dispense

#### Possible cause

*Possible solution*

- **Solution tank not firmly in place**
- *Make sure tank is securely locked in position*
- **Solution tank empty**
- *Refill tank according to instructions for surface being cleaned*
- **Recovery tank lid not on correctly**
- *Make sure lid is firmly in place*
- **Pump needs to be "primed" (when using tool)**
- *See "Before using tool" section, p. 12*

### Problem: Brushes/brush indicator won't rotate during floor cleaning

#### Possible cause

*Possible solution*

- **Indicator screen dirty**
- *Remove clear cover over indicator and clean screen; replace cover*
- **Speed selector on OFF**
- *Move speed selector to Low or Hi*

## Full One Year Warranty (Domestic Use)

Your HOOVER® appliance is warranted in normal household use, in accordance with the Owner's Manual against original defects in material and workmanship for a period of one full year from date of purchase. This warranty provides, at no cost to you, all labor and parts to place this appliance in correct operating condition during the warranted period. This warranty applies when the appliance is purchased in the United States including its territories and possessions, or in Canada or from a U. S. Military Exchange. Appliances purchased elsewhere are covered by a limited one year warranty which covers the cost of parts only. This warranty does not apply if the appliance is used in a commercial or rental application.

This warranty only applies when the product is in use in the country or territory in which it is purchased.

Warranty service can only be obtained by presenting the appliance to one of the following authorized warranty service outlets. Proof of purchase will be required before service is rendered.

1. Hoover Sales and Service Centers.
2. Hoover Authorized Warranty Service Dealers (Depots).

**For an automated referral of authorized service outlets in the U.S.A., phone 1-800-944-9200 OR visit Hoover on-line at hoover.com**

This warranty does not cover pick up delivery, or house calls; however, if you mail your appliance to a Hoover Sales and Service Center for warranty service, transportation will be paid one way.

While this warranty gives you specific legal rights, you may also have other rights which vary from state to state.

If further assistance is needed, or if there are questions concerning this warranty or the availability of warranty service outlets, contact the Consumer Response Center, Phone: 1-800-263-6376, Mon-Fri 8am-7pm EST.

In Canada, contact Hoover Canada, Carson Building, 100 Carson Street, Etobicoke, Ontario M8W 3R9 Phone: 1-800-263-6376, Mon-Fri 8am-7pm EST.



## con Accesorios Incluidos La limpiadora para alfombras fácil de usar

La limpiadora SteamVac™ de HOOVER® limpia las fibras de la alfombra al aplicar, restregar y remover agua caliente de grifo y solución de limpieza.

### ¡Salvaguardias Importantes!

Al usar un artefacto eléctrico observe siempre las precauciones básicas, incluyendo las siguientes:

LEA TODA LAS INSTRUCCIONES ANTES DE USAR ESTE ARTEFACTO

**ADVERTENCIA:** Para reducir el riesgo de incendio, choque eléctrico o lesiones.

- Use en interiores solamente.
- Use sólo sobre superficies humedecidas por el proceso limpiador o derrames pequeños. No sumerja el producto.
- Conecte a una toma de corriente adecuadamente conectada a tierra solamente. Vea "Instrucciones de Conexiones a Tierra".
- No limpie las tomas de corriente eléctricas del piso.
- No use sin los tanques en su lugar.
- Ejerza más cuidado al limpiar escaleras. No coloque la limpiadora para alfombras en las escaleras.
- Use el limpiador sólo para su uso específico según se describe en las instrucciones. Use sólo los aditamentos recomendados por la Hoover; otros pueden causar riesgos.
- No se recomienda el uso de un cordón de extensión. Si es absolutamente necesario usar un cordón de extensión, use un cordón de calibre 16 por lo menos de 3 cables, que tenga un enchufe de tipo de conexión a tierra de 3 puntas y un receptáculo de tres polos que acepte el enchufe de la máquina.
- Desenchufe el limpiador cuando no esté en uso. Antes de desenchufar desconecte todos los controles.
- Desenchúfe la antes de conectar la herramienta manual que tiene energía.
- Desconecte siempre el cordón de la toma de corriente eléctrica antes de prestar servicio al limpiador.
- No desenchufe tirando del cordón. Para desenchufar, sujete el enchufe, no el cordón. Nunca maneje el enchufe con las manos húmedas.
- No tire del ni lo transporte por el cordón, no use el cordón como un mango, no cierre la puerta sobre el cordón ni tire del cordón alrededor de bordes afilados ni esquinas. No pase el artefacto sobre el cordón. Mantenga el cordón alejado de las superficies calientes.
- No use con un cordón o con un enchufe dañado. Si el artefacto está funcionando como debe, se ha caído, se ha dejado al aire libre, o se ha caído al agua, llévelo al Centro de ventas y Servicio de

Hoover, o al Concesionario Autorizado de Servicio de Garantía de Hoover.

- Es necesaria una supervisión cuidadosa cuando cualquier artefacto es utilizado por o cerca de los niños. No permita que el limpiador sea usado como un juguete ni que funcione sin atención en ningún momento.
- No apunte los accesorios hacia las personas o animales domésticos.
- Use limpiadores solamente para pisos, disponibles en comercios y destinados para las aplicaciones de la máquina. No utilice ningún tipo de cera o limpiador profundo.
- Cuando use productos químicos recomendados con esta máquina, cerciórese de que el área esté bien ventilada.
- Para ayudar en la reducción del tiempo de secado, asegúrese que el área esté bien ventilada al usar detergentes y otros limpiadores con esta máquina.
- Mantenga los detergentes y otros limpiadores fuera del alcance de los niños.
- No lo use para limpiar líquidos inflamables o combustibles tales como gasolina ni use en áreas donde los mismos puedan estar presentes.
- No aspire lavandina, limpiador de drenajes, gasolina ni ningún otro material tóxico con este artefacto.
- No aspire nada que este ardiendo o humeando, tal como cigarrillos, fósforos, o cenizas ardientes.
- Evite aspirar objetos duros, afilados, con el limpiador. Los mismos pueden dañar la máquina.
- Mantenga el cabello, ropas holgadas, dedos, pies y todas las partes del cuerpo alejados de las aberturas, o de otras piezas móviles.
- No coloque ningún objeto en las aberturas. No lo use con ninguna abertura bloqueada; manténgalo libre de polvo, pelusa, cabello, ni nada que pueda reducir el flujo del aire.
- Evite el contacto con las alfombras hasta que estén secas, para evitar manchas. Mantenga a los niños y a los animales domésticos alejados de las alfombras hasta que estén completamente secas.
- Almacene en un lugar seco. No exponga la máquina a temperaturas de congelación.

## Manual del propietario ESPAÑOL → pp. 17-25

Lea este manual antes de hacer funcionar la aspiradora.

Use estas instrucciones en español junto con las figuras paso-a-paso porvistas en el manual inglés.

### INSTRUCCIONES DE CONEXION A TIERRA

Este artefacto debe conectarse a tierra. Si funciona mal o se descompone, la conexión a tierra provee una trayectoria de menor resistencia para que la corriente eléctrica reduzca el riesgo de choque eléctrico. Este artefacto está equipado con un cordón que tiene un conductor (C) de conexión a tierra del equipo y un enchufe de conexión a tierra (A). El enchufe debe enchufarse a una toma de corriente receptáculo apropiada (B) que esté adecuadamente instalada y conectada a tierra de acuerdo con todos los códigos y ordenanzas locales.

### PELIGRO

La conexión incorrecta del conductor de la conexión a tierra puede resultar en el riesgo de choque eléctrico. Consulte con un electricista o técnico de servicio calificado si tiene dudas acerca de si la toma de corriente está conectada correctamente. No modifique el enchufe provisto con el artefacto - si no calza en la toma de corriente, haga instalar una toma de corriente adecuada por un electricista calificado. Este artefacto es para usar en un circuito nominal de 120 voltios y tiene un enchufe de conexión a tierra que se parece al enchufe (A) ilustrado en el esquema (Fig. 1). Puede usarse un adaptador provisional (D) para conectar este enchufe a un receptáculo de 2 polos (E) de no estar disponible una toma de corriente adecuadamente conectada a tierra (Fig. 2). El adaptador provisional debe usarse solamente hasta que pueda instalarse una toma de corriente adecuadamente conectada a tierra (B) por un electricista calificado (Fig. 1). La oreja, aleta, o similar, rígida de color verde, que se extiende (F) desde el adaptador debe conectarse a una conexión permanente a tierra (G) tal como una cubierta de caja de una toma de corriente adecuadamente conectada a tierra (Fig. 2). Siempre que se use el adaptador, debe mantenerse en su lugar mediante un tornillo de metal.

**NOTA:** En Canadá, el uso de un adaptador provisional no está permitido por el código Eléctrico Canadiense.



## ¡Guarde Estas Instrucciones!

## Le agradecemos que haya seleccionado un producto HOOVER®.

Este aparato ha sido inspeccionado y embalado con todo cuidado antes de salir de la fábrica. Si necesita ayuda durante el ensamblado o la operación, llame al:

**1-800-944-9200** para una referencia automatizada de las ubicaciones de los sitios autorizados para servicio de productos (únicamente en Estados Unidos) o al

1-800-263-6376 para hablar con un representante en nuestro Centro de Respuesta al Cliente, lunes a viernes, 8am-7pm, hora del Este.

**NO DEVUELVA ESTE PRODUCTO A LA TIENDA**

### Registre y guarde

Este limpiador HOOVER está diseñado para la limpieza profunda de alfombrados y tapetes. Algunos modelos pueden usarse también para limpiar escaleras alfombradas y tapizados.

El número de modelo y el número de serie figuran en la parte posterior del mango. Para sus archivos personales, anote los números, COMPLETOS de modelo y serie en los espacios provistos y guarde esta información.

Su limpiador es el modelo \_\_\_\_\_

y tiene el número de serie \_\_\_\_\_

Le sugerimos que adjunte su recibo de compra a este manual del propietario ya que para obtener el servicio de garantía de su producto HOOVER puede requerirse la verificación de la fecha de compra.

### Contenido

Salvaguardias importantes . . . . .	17
Piezas necesarias para el ensamblado . . . . .	18
Ensamblado del limpiado . . . . .	18-19
Descripción . . . . .	19
Operación general . . . . .	19-21
Llenando el tanque de solución limpia . . . . .	20
Vaciando el tanque de recuperación . . . . .	20-21
Selector de velocidad de la escobilla . . . . .	19
Indicador de las escobillas . . . . .	20
Cómo usar	
Antes de comenzar . . . . .	21
Después de limpiar . . . . .	21
Limpieza de alfombrado . . . . .	21-22
Aspiración de derrames . . . . .	22
Limpieza de pisos expuestos . . . . .	22
Limpieza de escaleras alfombradas . . . . .	23-24
Limpieza de tapizados . . . . .	24
Si tiene un problema . . . . .	25
Almacenamiento . . . . .	24
Lubricación . . . . .	25
Servicio . . . . .	25
Garantía . . . . .	25
Formulario de pedido de piezas y accesorios pro correo . . . . .	36

# 1. Ensamblado Contenido de la caja

## 1-1

- A. Limpiador para alfombras
- B. Mango superior
- C. Pernos y tuercas del mango
- D. Soporte para accesorios con tornillo
- E. Manguera
- F. Soporte para la manguera
- G. Boquilla para escaleras y tapicería

## Accesorios

- H. Detergente para limpieza profunda de alfombras y tapicería

Los accesorios adicionales no incluidos con su modelo se pueden comprar por separado usando el formulario de pedido ubicado en el posterior de este manual.

La limpiadora para alfombras ensamblada debe tener un aspecto semejante al del diagrama.

## 1-2

### Instale el mango superior

Saque el tanque para la solución limpiadora (tanque superior) de la limpiadora para alfombras.

## 1-3

Con el gancho para el cordón (A) orientado hacia atrás de la limpiadora para alfombras, empuje el mango superior hacia abajo dentro del mango inferior. Empuje los pernos en los orificios de la parte delantera del mango. Si los pernos no atraviesan los orificios con facilidad se debe a que el mango no ha sido empujado completamente hacia abajo.

## 1-4

### Instale el gancho para la manguera

Coloque el soporte para la manguera (B) en el mango haciendo que las lengüetas en la rejilla coincidan con las aberturas de la parte posterior del mango. Cerciórese de que los orificios para los pernos estén alineados.

## 1-5

Coloque las tuercas en las depresiones que están en la parte de atrás del soporte para la manguera. Sostenga cada tuerca en su lugar, ajustando cada perno con un destornillador Phillips (desde la parte delantera del

mango) cuando ajuste los pernos.

Solamente se necesitan dos tuercas para este modelo. La tuerca extra no se necesita pero se ha suministrado para su comodidad.

## 1-6

Cuando las secciones del mango estén completamente unidas, apriete el gatillo (C) y oprima el botón Clean Surge™ (D) en la parte superior del mango. Se escuchará un sonido de bloqueo cuando la varilla con gatillo encaje.

## 1-7

### Instale el soporte para la accesorio

Saque del soporte el accesorio y los tornillos que están pegados con cinta. Introduzca las proyecciones del soporte en las ranuras que están en la parte de atrás de la limpiadora.

## 1-8

Deslice el soporte hacia abajo para que quede en su lugar. Introduzca los tornillos en (D) y ajústelos con un destornillador Phillips.

## 1-9

Reemplace el tanque para la solución limpiadora (tanque superior) colocando primero la parte inferior. Presione el asa del tanque para que la parte superior del tanque encaje en su lugar.

## 1-10

### Para guardar la manguera y el accesorio

Estire la manguera e identifique los extremos.

- E. Extremo de la manguera con conector para la boquilla
- F. Gatillo
- G. Tubo de solución

- H. Extremo de la manguera con pieza de conversión

**Nota:** Puede ser útil para usted al almacenar la manguera y la boquilla, referirse a la información en el reverso del limpiador y en el extremo de la manguera con el convertidor.

## 1-11

Comience con el extremo de la manguera con pieza de conversión (H). Coloque la pieza de conversión sobre la lengüeta cerca del soporte para accesorios (I). Presione la pieza de conversión firmemente para encajarla en su

lugar. Presione el tubo de solución (G) en el enganche al lado de la pieza de conversión como se muestra.

## 1-12

Enrolle la manguera sobre el gancho del mango superior (J). Presione la manguera en los clips del soporte superior para la manguera (K).

## 1-13

Enrolle la manguera debajo del soporte inferior para accesorios y continúe hasta que el conector para la boquilla esté cerca del soporte superior para la manguera. Encaje la manguera en su lugar.

## 1-14

Presione el cordón en el clip para el cordón del soporte para la manguera. Jale el cordón para que quede tirante.

## Almacenamiento delantero superior de accesorios

### 1-15

#### Boquilla para escaleras y tapicería

Para guardar la boquilla para escaleras/tapizados, abra la tapa del accesorio, coloque la boquilla en el portaboquilla y encájela firmemente en su lugar. Para extraerla, proceda en orden inverso.

### 1-16

#### Cómo volver a colocar la cubierta de accesorios

La cubierta de accesorios está diseñada para que se separe y quede suelta si se abre demasiado.

Para volver a colocarla, alinee las bisagras de la cubierta con los orificios en los costados del área de almacenamiento para los accesorios.

Empuje hacia abajo la tapa para fijarla en su lugar.

## 2.

## Uso Descripción de la limpiadora para alfombras

La limpiadora para alfombras ensamblada debe tener un aspecto semejante al del diagrama.

## 2-1

1. **Asa del mango**
2. **Gatillo surtidor:** se oprime para surtir la solución limpiadora.
3. **Botón Clean Surge™**
4. **Enganche del cordón:** coloque el cordón en el enganche para que no estorbe cuando esté usando la limpiadora.
5. **Manguera**
6. **Soporte para la manguera:** enrolle la manguera alrededor del soporte y los ganchos para guardarla.
7. **Ganchos para la manguera**
8. **Ganchos para el cordón:** enrolle el cordón en los ganchos para almacenarlo. El gancho superior se puede voltear a la derecha o izquierda para soltar el cordón en forma rápida y fácil.
9. **Boquilla para escaleras y tapicería**
10. **Asa para transportar**
11. **Asa del tanque para la solución limpiadora**
12. **Tapa del tanque** para la solución limpiadora/taza para medir
13. **El tanque para la solución limpiadora:** contiene la solución limpiadora
14. **Tapa del tanque de recuperación**
15. **El tanque de recuperación:** guarda la solución usada
16. **“Panel delantero” del tanque de recuperación**
17. **Cubierta**
18. **Selector de velocidad de las escobillas:** mueva el selector para escoger la velocidad de la escobilla en HI (alta), LO (baja) u OFF (apagada)
19. **Indicador de escobilla:** gira cuando las escobillas rotan
20. **Boquilla**
21. **Conexión para el tubo de solución**
22. **Seguros del tanque de recuperación**
23. **Pedal ON/OFF (encendido/apagado)**
24. **Pedal para soltar el mango:** pise el pedal para bajar el mango a la posición de operación (limpieza de pisos)

**Este limpiador está diseñado para uso del hogar.**

**Opere el limpiador solamente al voltaje especificado en la placa de datos ubicada en el reverso del limpiador.**

**Enchufe el limpiador en una toma de corriente debidamente conectado a tierra.**

## 2-2

### Pedal de encendido y apagado y pedal para soltar el mango

Pise el pedal (A) para encender la limpiadora. Presione el pedal nuevamente para apagarla.

Pise el pedal (B) para bajar el mango a la posición de operación. El mango no se queda fijo en una sola posición sino que “flota” para permitir una operación cómoda.

## 2-3

### Para transportarla

Para mover su limpiadora para alfombras de una habitación a otra, coloque el mango en la posición vertical trabada, incline la limpiadora hacia atrás sobre las ruedas y empújela hacia adelante.

## 2-4

La limpiadora para alfombras también se puede levantar colocando una mano debajo del asa del tanque superior para la solución limpiadora como se muestra.

## 2-5

### “Apagado automático”

Cuando el tanque de recuperación (tanque inferior) esté lleno, el mecanismo de apagado automático apagará la succión de la limpiadora para alfombras **(la succión se reducirá en forma notable)**.

En ese momento el disco flotante amarillo subirá a la parte superior de la tapa del tanque de recuperación (E).

La limpiadora para alfombras ya no recogerá más la solución sucia y el **sonido del motor será notablemente más agudo**.

**Cuando esto sucede, apague la limpiadora para alfombras y vacíe el tanque de recuperación** antes de seguir usándola.

También inspeccione el tanque para la solución limpiadora; puede ser necesario volver a llenarlo.

## 2-6

### Selector de velocidad de las escobillas

Su limpiadora para alfombras “Steam Vac” tiene tres posiciones para el agitador de escobillas.

**HI** - para limpieza normal de alfombras y pisos expuestos

**LO** - para limpieza suave de alfombras y pisos expuestos

**OFF**- para limpieza de alfombras y pisos expuestos cuando no se desea cepillar. (Como cuando se están recogiendo derrames de líquidos. Vea la página 21).

Antes de limpiar, deslice el botón selector a la posición deseada.

## 2-7

### Indicador de escobilla

El indicador de escobilla girará (F) cuando la limpiadora para alfombras esté encendida y las escobillas roten.

**Si el indicador no gira y el patrón es visible (G) cuando la limpiadora para alfombras está encendida las escobillas no rotarán.**

Existen tres motivos por los cuales las escobillas no giran:

1. El selector de velocidad de las escobillas se encuentra apagado (ver sección anterior).
2. El tubo de solución está conectado (Fig. 3-10).
3. La pantalla del indicador de escobilla está sucia (Fig. 2-8).

## 2-8

Para limpiar la malla (H), **apague la limpiadora para alfombras y desconéctela de la toma de corriente eléctrica.**

Quite la tapa transparente y limpie la pantalla con un paño húmedo. Encaje nuevamente la tapa en su posición.

## 2-9

### Los tanques

#### Tanque para la solución limpiadora (tanque superior)

El tanque para la solución limpiadora contiene la solución limpiadora que se va a dispersar en la superficie a ser limpiada.

#### Cómo llenar

**Desconecte la limpiadora para alfombras de la toma de corriente eléctrica.**

Coloque el mango de la limpiadora para alfombras en la posición vertical para que quede fijo.

Para sacar el tanque presione hacia abajo el asa y jale hacia adelante.

## 2-10

Lleve el tanque al fregadero.

Gire la tapa del tanque en dirección del reloj y levante para quitarla.

## 2-11

Voltee la tapa (A) para usarla como taza de medir.

Con la tapa, mida el detergente según la siguiente tabla.

#### Para alfombras, escaleras alfombradas y tapicería:

Llene la tapa hasta la **línea de llenado** (5 onzas/150 mL) con el **detergente para alfombras y tapicería de Hoover.**

#### Para pisos expuestos:

20

Llene la tapa hasta la **línea de llenado** (5 onzas/150 mL) con el **limpiador HOOVER para pisos expuestos\***.

No use el limpiador HOOVER para pisos expuestos en alfombras o tapicería. **No use ningún tipo de cera con su limpiadora para alfombras SteamVac™.**

**NOTA: Use solamente detergentes HOOVER.** Sus fórmulas son especiales para usarse con su limpiadora para alfombras SteamVac™.

\*Disponibles a un costo adicional si no están incluidos en su modelo.

**Para áreas de mucho tráfico: Pre-tratamiento con el rociador limpiador para manchas de HOOVER\*.**

**Si no tiene acceso al rociador limpiador para manchas, doble la cantidad el detergente para alfombras y tapicería HOOVER (use 2 tapas llenas o 10 onzas/300 mL) por un tanque de un galón/3,8 L.**

#### ATENCIÓN:

**Los detergentes contienen surfactantes aniónicos y no iónicos. Evite el contacto con los ojos y la piel. En caso de contacto con los ojos, enjuáguelos con agua fría por 15 minutos. En caso de contacto con la piel, lávela con agua. Si persiste la irritación, llame a un médico.**

## 2-12

**Vierta el detergente en el tanque. Llene el tanque hasta la línea de llenado (B) (1 galón/3,8 L) con agua caliente de grifo.**

Para obtener el rendimiento adecuado, **use solamente detergente de limpieza HOOVER.**

## 2-13

Si el anillo de caucho (C) en la tapa se ha salido de su lugar, vuélvalo a colocar con el borde no uniforme contra el borde resaltado (D) como se muestra.

## 2-14

Vuelva a colocar la tapa. **Gire la tapa en sentido del reloj hasta que encaje en su lugar. La tapa debe encajar en su lugar para el funcionamiento adecuado y para prevenir fugas.**

## 2-15

Coloque la parte inferior del tanque en la unidad y presione el asa para que el tanque encaje en su lugar.

#### Tanque de recuperación: (tanque inferior)

El tanque de recuperación contiene la solución sucia que se ha recogido de la

alfombra.

Al llenarse el tanque, el mecanismo de apagado automático funcionará (vea la figura 2-5) y se debe vaciar.

### Cómo vaciar el tanque

**Apague la limpiadora para alfombras y desconéctela de la toma de corriente eléctrica.**

Para evitar la posibilidad de fuga, saque el tanque para la solución limpiadora (Figura 2-9) presionando hacia abajo el asa del tanque y jalándola hacia adelante; ponga el tanque aparte (**no lo ponga sobre los muebles**).

## 2-16

Presione con el pie sobre el pedal de desenganche del mango y baje el mango hasta que se apoye sobre el piso.

Al limpiar escaleras o tapicería, saque la manguera haciendo el procedimiento al revés como se muestra en la página 23.

Gire los seguros (E) del tanque de recuperación (uno a cada lado del tanque) hacia afuera.

Saque el tanque de la limpiadora y llévelo a un fregadero o sumidero.

## 2-17

Desenganche la parte posterior de la tapa del tanque y extraiga la tapa. Vacíe el tanque. Vierta el agua sucia desde la parte posterior del tanque (F).

## 2-18

La tapa se vuelve a colocar como una bisagra. Coloque la parte delantera de la tapa debajo de las aletas (G) en la parte delantera del tanque. Gire la tapa hacia abajo sobre el tanque. **Asegúrese que la tapa esté segura en todos los lados antes de colocar el tanque sobre el limpiador.**

**Para obtener una succión completa es importante que la tapa del tanque de recuperación esté asegurada debidamente antes de limpiar.**

## 2-19

Vuelva a colocar el tanque y presione hacia abajo para asegurar que esté asentado apropiadamente en su lugar.

**Gire los seguros (E) del tanque de recuperación hacia adentro (uno en cada lado del tanque) para calzar el tanque en su lugar.**

Para continuar la limpieza de las escaleras o del tapizado, vuelva a colocar la manguera según se muestra en la página 23. Levante el mango a una posición vertical y vuelva a colocar el

tanque superior de solución limpia.

### 3. Cómo se limpia Antes de empezar la limpieza

**a. aspire bien** - Para obtener los mejores resultados en las alfombras, use una aspiradora HOOVER con agitador. aspire la tapicería con una aspiradora accesorio de limpieza. Use el accesorio para hendiduras para llegar a las borlas y los pliegues. **No use la limpiadora para alfombras SteamVac™ como si fuera una aspiradora en seco.**

**b. Para la tapicería vea el código de limpieza** - Use solamente su limpiadora para alfombras SteamVac™ de HOOVER para tapicería que esté marcada con una "W" (que significa para lavado húmedo) o "SW" (para limpieza con solvente/en seco o húmedo). **No limpie las telas marcadas con una "S" (únicamente para limpieza con solvente/en seco).** Si su tapicería no tiene un código, busque la ayuda de un profesional.

**c. Haga una prueba para ver si destiñe el color** - Mezcle el detergente y el agua de acuerdo a las instrucciones de "Llenado del tanque para la solución limpiadora, figuras. 2-9 a 2-15. Humedezca un paño blanco absorbente con la solución y frote suavemente la superficie de una pequeña área escondida con el paño humedecido. Espere 10 minutos y vea si se ha destiñado o se ha corrido el color, pasando una toalla de papel o un paño blanco. Si la superficie tiene más de un color, examine todos los colores.

**d. Cuando limpie todo el piso, saque los muebles del área que se va a limpiar** (puede no ser necesario si solamente se van a limpiar las áreas de mucho tráfico). En caso de que los muebles sean demasiado pesados para moverlos, coloque papel de aluminio o papel encerado debajo de las patas. Esto evitará que el acabado de la madera tiña la alfombra. Levante con alfileres los faldones de los muebles y las cortinas.

**e. Prepare las manchas y áreas de mucho tráfico con el limpiador para manchas\* de Hoover®** - Haga una prueba para ver si se destiñe el color con limpiador para manchas, rociando en un área escondida. Espere diez minutos y absorba con toallas de papel o paños blancos.

Si no es visible un cambio de color, rocíe el limpiador para manchas en las manchas y áreas de tráfico. Espere por lo menos diez minutos. Use su

limpiadora para alfombras de SteamVac™ para recoger el limpiador para manchas y para las manchas. Repita hasta que salga la mancha; refriegue con cuidado con un cepillo de uso casero si es necesario.

**No sature** la alfombra ni la tapicería con el limpiador para manchas.

**Si no tiene acceso al rociador limpiador para manchas, doble la cantidad del detergente para alfombras y tapicería de HOOVER en el tanque para la solución limpiadora (use 2 tapas llenas o 10 onzas/300 mL por un galón/3,8 L).**

Ninguna solución limpiadora saca todas las manchas de todas las alfombras. La eliminación de manchas varía con el tipo de derrame, el tiempo que ha transcurrido antes de que se saque, y el material y tipo de la alfombra.

**f. Para evitar manchar**, use plástico o papel de aluminio para proteger las superficies de madera o metal de la posibilidad de ser rociados con agua.

**g. Para evitar humedecer y posiblemente dañar los pisos de madera debajo de las alfombras de área o de pared a pared** mueva las alfombras a un piso expuesto que no sea de madera o protéjalas, colocando materiales a prueba de agua (por ejemplo plástico) debajo de las alfombras antes de limpiarlas.

Las instrucciones sobre distintas tareas de limpieza las puede ver en las páginas 21 et 22.

\*Disponible a un costo adicional si no está incluido en su modelo.

### Después de haberla usado

**a.** Deje que seque la alfombra o tapicería. Para evitar que la alfombra quede opaca o se vuelva a ensuciar, mantenga a los niños y animales alejados de la superficie hasta **que esté completamente seca. Si es necesario caminar sobre la alfombra húmeda**, coloque toallas o paños blancos en las áreas de tráfico.

Si se deben volver a colocar los muebles antes de que la alfombra esté seca, coloque plástico o papel de aluminio debajo de las patas de los muebles de modo que los deslizadores de metal o los acabados de madera no vayan a teñir la alfombra.

**b.** Si desea, puede enjuagar la alfombra. **Para limpiar, no es necesario enjuagarla**, pero puede mejorar el aspecto de la superficie después que se haya secado.

Si desea enjuagar, tenga cuidado de no mojar demasiado la alfombra o la tapicería.

**Dé tiempo, entre la limpieza y el enjuagado, para que la alfombra o la tapicería se seque completamente.**

Para enjuagar, siga el mismo procedimiento que para limpiar, usando agua caliente del grifo, sin detergente en el tanque superior para la solución limpiadora.

**c.** Vacíe los tanques, enjuague con agua limpia y deje secar al aire. Enjuague la tapa del tanque para la solución y del tanque de recuperación y déjelas secar al aire.

### 3-1

**d.** Quite los restos del filtro del tanque de recuperación y enjuague con agua limpia.

**Nota:** Si se debe quitar el filtro para limpieza es más fácil reemplazarlo si está mojado.

**e.** Si desea, aspire bien después que la alfombra se haya secado completamente. Esto ayudará a reducir cualquier sombreado que hayan podido dejar las escobillas de la limpiadora para alfombras.

### Para limpiar la boquilla

Si hay pelusa u otros restos atascados en la boquilla, **no intente sacar la cubierta de la boquilla.**

Eche una o dos tazas de agua limpia en un piso sin alfombras. **No vierta agua un piso de madera.**

Recoja el agua con su limpiadora para alfombras SteamVac™. Repita las veces que sea necesario para desalojar cualesquiera restos en la boquilla.

Para limpiar la parte de afuera de la máquina, pase un trapo humedecido en agua tibia y un detergente suave para quitar el sucio. **Para limpiar la máquina, no use solventes ni productos derivados del petróleo.**

### Limpieza de alfombras

Lea las instrucciones "Antes de comenzar la limpieza" en la página 20.

1. Llene el tanque para la solución limpiadora (tanque superior) con el detergente para alfombras y tapicería de HOOVER de acuerdo a las instrucciones de las figuras 2-9 a 2-15.

### 3-2

2. Mueva el selector de velocidad a **LO para una limpieza suave o a HI para una limpieza normal.**

3. Séquese las manos y enchufe el

**Continúa →**

cordón en una **toma de corriente eléctrica debidamente conectada a tierra.**

**No limpie sobre tomas de corriente eléctricas que estén en los pisos.**

4. Para evitar caminar sobre alfombras húmedas comience en el extremo de la habitación más alejado de la puerta o en el camino al fregadero donde se vaciarán y llenarán los tanques.

Pise el pedal para soltar el mango y baje el mango a la posición de operación; encienda la limpiadora para alfombras.

### **3-3**

5. Apriete el gatillo para surtir la solución limpiadora y **lentamente** empuje la limpiadora para alfombras hacia adelante (equivalente a una pasada húmeda).

6. Continúe apretando el gatillo y jale **lentamente** la limpiadora para alfombras hacia usted (segunda pasada húmeda). Suelte el gatillo y empuje **lentamente** la limpiadora para alfombras hacia el área que acaba de rociar con la solución (pasada seca). Entonces, **lentamente** jale la limpiadora para alfombras de regreso hacia usted sin apretar el gatillo (pasada seca).

7. Traslape las pasadas por 1 pulgada/2,54 cm para evitar que quede disparejo.

Mantenga la boquilla plana contra el piso tanto para las pasadas hacia adelante como para las pasadas hacia atrás.

8. Para zonas muy sucias, repita los pasos 5 a 7.

9. Para alfombras muy sucias o con manchas, use el botón Clean Surge™ (vea la sección siguiente). Evite saturar la alfombra, como se indica a continuación.

**Nota: Para evitar saturar la alfombra no use más de 4 pasadas húmedas sobre un área. Siempre termine con pasadas secas.**

Es mejor alternar las pasadas húmedas y secas como se describen antes.

Para obtener mejores resultados en la limpieza y acelerar el secado de la alfombra, termine con más pasadas secas. (Continúe dando pasadas secas hasta que poca agua quede visible pasando a través de la tapa del tanque de recuperación cuando el sonido del motor sea muy agudo y haya una pérdida de succión (vea "Apagado automático", figura 2-5).

22

Cuando termine de limpiar, siga las instrucciones "Después de la limpieza" de la página 22.

### **3-3**

#### **Botón Clean Surge™**

El botón Clean Surge™ lo puede usar para dispensar una mayor cantidad de solución cuando esté limpiando áreas muy sucias o manchas de las alfombras. Para usarlo, oprima el botón Clean Surge™ mientras aprieta el gatillo para dispensar la solución. Para hacer un rociado normal de la solución, suelte el botón y continúe apretando el gatillo.

#### **Para recoger derrames**

Su limpiadora para alfombras Steam Vac también se puede usar para recoger **pequeños derrames de líquidos (1 galón/3,8 L) o menos, nunca debe exceder 1/4 de pulgada/6,3 mm en profundidad)** en alfombras, tapicería o pisos expuestos.

Para obtener los mejores resultados, recoja los derrames inmediatamente, colocando la boquilla para escaleras y tapicería justo por encima del derrame y succionando cualquier residuo que esté sobre la alfombra. Si queda derrame, coloque ya sea la boquilla de escaleras y tapicería o la de pisos con las escobillas apagadas frente al derrame, jale la boquilla muy lentamente sobre el derrame, usando solamente la succión al principio. Repita el rociado y la succión.

**Cuando esté recogiendo derrames en pisos expuestos, use solamente la boquilla para pisos, tenga colocado el accesorio para pisos expuestos y el selector de velocidad debe estar en la posición OFF** (para evitar que se disperse el derrame).

Si queda una mancha, habitualmente lo más eficaz para quitarla es la boquilla para escaleras y tapicería. Aunque ninguna solución limpiadora puede sacar completamente todas las manchas, éstas se pueden tratar siguiendo las instrucciones que dé el fabricante de la alfombra, la tapicería o la superficie de piso expuesto que se está limpiando.

**No use la limpiadora para alfombras para recoger líquidos combustibles o inflamables o químicos.**

Cuando haya terminado, siga las instrucciones "Después de la limpieza" de la página 22.

#### **Limpieza de pisos expuestos Cómo instalar el accesorio**

#### **para pisos expuestos**

**(Disponible a un costo adicional)**

**Desconecte la limpiadora para alfombras de la toma de corriente eléctrica.**

Para evitar la posibilidad de fugas, saque el tanque para la solución limpiadora (Figura 2-9) y el tanque de recuperación (Figura 2-16) antes de colocar el accesorio para pisos expuestos. Ponga los tanques aparte (no los ponga sobre los muebles).

Con el mango en la posición vertical, incline la limpiadora hacia atrás de modo que el mango descansa en el piso.

### **3-4**

Con la tira de espuma (A) (que se encuentra debajo de la malla) en la posición mostrada, coloque el accesorio al frente de la boquilla (B). Asegúrese de que la flecha del extremo del accesorio apunte en la dirección que se muestra.

### **3-5**

Empuje el accesorio contra la boquilla mientras lo hace girar hacia abajo hasta que ambos extremos encajen en su lugar.

**(Nota: se puede necesitar un poco de fuerza para hacer girar y encajar el accesorio en su lugar).**

Vuelva a poner la limpiadora para alfombras en posición vertical. Baje el mango y vuelva a colocar el tanque de recuperación.

Levante el mango a la posición vertical y vuelva a colocar el tanque para la solución limpiadora.

#### **Para limpiar el piso**

**Lea las instrucciones "Antes de comenzar la limpieza" en la página 22.**

**No use la limpiadora para alfombras SteamVac™ en pisos de madera.**

Llene el tanque para la solución limpiadora para pisos desnudos HOOVER para pisos expuestos (disponible a un costo adicional si no se incluye con su modelo) según las instrucciones para las figuras 2-9 to 2-15.

**No use ningún tipo de cera con su limpiadora para alfombras SteamVac™.**

**Lleve el selector de velocidad a las posiciones LO o HI para refregar o a la posición OFF si no desea hacerlo.**

Séquese las manos y **enchufe la limpiadora para alfombras en una toma de corriente eléctrica con**

## conexión a tierra adecuada.

Pise el pedal para soltar el mango y baje el mango a la posición de operación; encienda la limpiadora.

Para surtir la solución, oprima el gatillo. Mueva la limpiadora para alfombras lentamente hacia adelante y hacia atrás sobre el área que va a limpiar.

Para recoger la solución sucia, suelte el gatillo y mueva lentamente la limpiadora para alfombras sobre el área donde acaba de dispersar la solución. Use pasadas hacia adelante y hacia atrás.

Vacíe el tanque de recuperación cuando el sonido del motor sea muy agudo y haya una pérdida de succión (vea "Apagado automático", figura 2-5).

Cuando termine de limpiar, siga las instrucciones "Después de la limpieza" de la página 22.

Desprenda el accesorio de la boquilla y enjuáguelo en agua clara. **Desconecte la limpiadora para alfombras de la toma de corriente eléctrica** y saque el accesorio de la boquilla. Enjuáguelo con agua limpia. **No saque la malla de plástico ni la espuma del accesorio.**

## Uso de el accesorio

### 3-6

La boquilla para escalera y tapicería tiene incorporada una escobilla que ayuda a refregar algunas manchas para quitarlas.

## Cómo fijar la manguera

**Desconecte el limpiador de la toma de corriente eléctrica.**

### 3-7

1. Para evitar posibles pérdidas, extraiga el tanque de solución limpia presionando hacia abajo el mango del tanque (D) y tirando hacia adelante; coloque el tanque a un lado (no coloque el tanque sobre los muebles). Extraiga la manguera del soporte de almacenamiento.

### 3-8

2. Presione hacia abajo con el pie el pedal de desenganche del mango (E), y baje el mango del limpiador hasta que se apoye sobre el piso.

Desenganche la parte posterior de la tapa del tanque de recuperación y extraiga la tapa.

### 3-9

3. Extraiga el panel delantero (F) del tanque de recuperación deslizando

verticalmente hacia arriba.

### 3-10

4. Reemplace el panel por el convertidor (G). Deslice el convertidor hacia abajo hasta la mitad de la abertura, hasta que esté firmemente en su lugar.

### 3-11

5. **Asegúrese que las aletas negras estén extendidas, tirando del collar bronceado hacia el tubo (H), antes de conectar el tubo al limpiador.**

Abra la puerta en la cubierta rotulada "Conexión de limpieza de escaleras/tapizados". Presione el conector redondo del tubo de solución sobre la proyección circular dentro de la puerta.

**Presione firmemente hacia abajo el collar del conector para asegurarse que esté completamente conectado.**

### 3-12

6. **La tapa se vuelve a colocar como con bisagras.** Coloque la parte delantera de la tapa debajo de las aletas (I) en la parte delantera del tanque. Gire la tapa hacia abajo sobre el tanque. **Asegúrese que la tapa esté segura en todos los lados antes de limpiar.**

**Para obtener una aspiración completa, es importante que la tapa del tanque de recuperación esté completamente asegurada antes de limpiar.**

Levante el mango del limpiador a la posición vertical.

### 3-13

## Cómo conectar el accesorio

Todos los accesorios se conectan a la manguera del mismo modo.

1. Conecte el accesorio al extremo de la manguera con conector deslizando en el conector hasta que la lengüeta (J) encaje con seguridad.

Con el pulgar, **empuje la traba (K) hacia adelante y arriba** para sacar el accesorio como se muestra.

## Antes de usar el accesorio

Puede ser necesario sacar el aire del sistema ("cebar la bomba") para que la solución limpiadora fluya al accesorio. Siga estos pasos:

1. Conecte el accesorio a la manguera y encienda la limpiadora de profundidad.
2. Coloque el accesorio sobre una superficie dura o contra su mano para bloquear la succión.
3. Espere unos cuantos segundos (pueden necesitarse hasta 15 segundos). Luego apriete el gatillo y comience la limpieza.

Siga las instrucciones de las páginas 23 et 24 sobre la tarea de limpieza apropiada.

## Después de usar el accesorio:

1. Siga los pasos a y b de "Después de la limpieza" en la página 22.

### 3-14

2. Haga salir el agua de la manguera encendiendo la limpiadora para alfombras y sosteniendo el extremo de la manguera hacia arriba por algunos segundos. **No oprima el gatillo.**

4. **Desenchufe el limpiador de la toma de corriente eléctrica.**

5. Drene el tubo de solución colocando el extremo circular en la pileta y levantando la boquilla sobre su cabeza. Accione el gatillo.

6. Proceda con los pasos c, d y e, para "Después de la limpieza" en la página 22.

### 3-15

Ocasionalmente pueden depositarse desechos dentro de la manguera en el extremo con el convertidor (L). Para limpiar la manguera, levante la parte inferior del broche del convertidor (M) con un destornillador y extraiga el broche. Extraiga los desechos según se muestra.

### 3-16

Calce el broche en posición asegurándose que la manguera de la solución (N) no esté presionada y se mueva libremente.

### 3-17

Vuelva a colocar el panel (F) delantero del tanque de recuperación. **Corra el panel hacia abajo hasta que calce firmemente en su lugar.**

## Limpieza de escaleras alfombras

Lea las instrucciones de "Antes de comenzar la limpieza" en la página 22.

1. Coloque el mango en posición vertical. **Los escobillas del agitador no girarán mientras el mango está vertical.**
2. Llene el tanque para la solución limpiadora con el detergente para alfombras y tapicería de HOOVER siguiendo las instrucciones en la página 20.
3. Conecte el accesorio en el extremo de la manguera.
4. La longitud de la manguera puede

**Continúa →**



requerir que la máquina se coloque en la parte superior de las escaleras para limpiar la mitad superior de la escalera y al otro extremo de la escalera para limpiar la mitad inferior.

**Para evitar que se caiga la máquina, tenga mucho cuidado cuando limpie escaleras. No coloque la limpiadora para alfombras sobre los escaleras.**

**No apunte los accesorios hacia las personas o animales.**

### **3-18**

5. Séquese las manos y enchufe la limpiadora para alfombras en una **toma de corriente eléctrica con conexión a tierra adecuada.**

6. Encienda la limpiadora en profundidad. Si es necesario, consulte la sección "Antes de usar el accesorio" para eliminar el aire del sistema.

7. Haga un rociado preliminar de la escalera alfombrada sosteniendo el accesorio a aproximadamente 1 pulgada/2,54 cm por encima de la alfombra y empújelo hacia adelante mientras oprime el gatillo (equivale a una pasada húmeda).

8. Coloque el accesorio contra la parte vertical del escalón y presione ligeramente las fibras de la alfombra. Oprima el gatillo y jale el accesorio **lentamente** sobre la alfombra (segunda pasada húmeda). Suelte el gatillo al final de la pasada.

### **3-19**

9. Levante el accesorio y colóquelo contra la parte vertical del escalón. Jale el accesorio **lentamente** sobre la alfombra sin oprimir el gatillo (pasada seca).

Es mejor alternar las pasadas húmedas y secas como se describen antes.

Termine con más pasadas secas para que la alfombra se seque más rápido.

10. Traslape las pasadas 1/2 pulgada / 1,27 cm para evitar que quede disperejo.

**Para evitar saturar la alfombra, no use más de 4 pasadas húmedas sobre un área. Siempre termine con pasadas secas.**

Si se necesita una limpieza adicional, espere hasta que la alfombra esté completamente seca antes de usar el accesorio nuevamente.

11. Vacíe el tanque de recuperación cuando el sonido del motor sea demasiado agudo y haya una pérdida de succión (vea "Apagado automático", vea la figura 2-5).

Cuando termine de limpiar, siga las instrucciones "Después de limpieza" en la página 22 y "Después de usar el accesorio" en la página 23.

## **Limpieza de tapicería**

**Lea las instrucciones de "Antes de comenzar a limpiar" en la página 22.**

No deje de verificar el código de limpieza en su tapicería. **Use su limpiadora en profundidad SteamVac™ de Hoover sólo en tapicería marcada "W" o "W/S".**

1. Coloque el mango en posición vertical. **Los escobillas del agitador no girarán mientras el mango está vertical.**

2. Llene el tanque para el detergente alfombras y tapicería de HOOVER siguiendo las instrucciones de las figuras 2-9 a 2-15.

3. Coloque el accesorio en el extremo de la manguera.

**No apunte los accesorios hacia las personas o animales.**

4. Séquese las manos y enchufe la limpiadora en profundidad en una toma de corriente **eléctrica con conexión a tierra adecuada.**

### **3-20**

5. Encienda la limpiadora para alfombras. Si es necesario, consulte la sección "Antes de usar el accesorio" para eliminar el aire del sistema.

6. Presione el accesorio suavemente sobre la tela. Oprima el gatillo y haga retroceder la boquilla lentamente sobre la tela.

7. Traslape las pasadas 1/2 pulgada/ 1,27 cm para evitar que quede disperejo.

Haga pasadas adicionales sin presionar el gatillo, para eliminar más humedad.

8. Para limpiar las esquinas y rendijas, levante el accesorio a media pulgada/ 1,27 cm de la tela y apriete el gatillo para surtir la solución.

9. aspire la solución con el accesorio sin apretar el gatillo.

### **3-21**

10. En las áreas muy sucias, puede ser necesario repetir el proceso de limpieza. Haga pasadas que crucen el diseño original y traslape las pasadas.

**No dé más de dos pasadas sobre un área para evitar mojar demasiado la tela, lo que podría dañarla.**

Si se necesita una limpieza adicional, espere hasta que el tapicería esté completamente seca antes de usar el accesorio nuevamente.

11. Vacíe el tanque de recuperación cuando el sonido del motor sea muy agudo y haya una pérdida de succión (vea "Apagado automático", vea la figura 2-5).

Cuando termine de limpiar, siga las

instrucciones "Después de la limpieza" en la página 22 y "Después de usar el accesorio" en la página 23.

## **4.**

### **Mantenimiento Escobillas removibles**

Su limpiador está equipada con cepillos removibles para facilitar su limpieza.

**Para quitar los cepillos desenchufe la aspiradora de la toma de corriente eléctrica.**

Para evitar la posibilidad de fugas, saque el depósito de solución limpia y el depósito de recuperación. Colóquelos a un lado.

#### **4-1**

Apriete el pedal de destrabe del mango para bajarlo. Voltee la aspiradora de manera que se encuentre orientado hacia arriba.

#### **4-2**

Sujete la parte interior del cepillo (A) y jale el conjunto de los cepillos para sacarlo ligeramente, hasta que vea las trabas (B).

#### **4-3**

Presione los cuatro broches (B) y saque el bloque de escobillas. Los cepillos se pueden limpiar bajo un chorro de agua.

### **Para volver a colocar los cepillos**

#### **4-4**

Alinee los postes (C) en ambos extremos del conjunto de los cepillos con las ranuras (D) del exterior de la aspiradora. Asegúrese de que el poste cuadrado (E) se alinee también con el agujero cuadrado (F). Gire los cepillos ligeramente hasta que el poste quepa fácilmente dentro del agujero.

#### **4-5**

Presione el conjunto de los cepillos con firmeza para trabarlo en su lugar.

## **Almacenamiento**

Antes de guardar:

- Vacíe el tanque para la solución limpiadora y enjuáguelo bien con agua limpia.
- Vuelva a colocar el tanque de solución **vacío** y encienda la limpiadora para alfombras. Apriete el gatillo y empuje la limpiadora para alfombras hacia atrás y hacia adelante varias veces para extraer



cualquier solución que permanezca en el sistema de la limpiadora para alfombras. (No use la limpiadora para alfombras en pisos de madera).

- Vacíe el tanque de recuperación y enjuáguelo bien con agua limpia.

**Deje que las escobillas y la parte de abajo de la limpiadora para alfombras se sequen al aire completamente antes de guardarla en una superficie alfombrada o de madera.**

**No guarde la limpiadora para alfombras cuando el tanque para la solución esté lleno.**

## Lubricación

El motor tiene cojinetes que cuentan con suficiente lubricación para toda la vida del motor. La adición de lubricantes podría causar daños. **Por lo tanto, no añada lubricante a los cojinetes del motor.**

## Servicio

Para obtener el servicio aprobado por HOOVER y las piezas genuinas de HOOVER, **localice el Centro de ventas y Servicio de Hoover o el Concesionario Autorizado de Servicio de Garantía de Hoover (Depósito)** más cercano:

- buscando en las Páginas Amarillas bajo "Vacuum Cleaners- Household" ("Aspiradoras - Artículos del hogar") O -
- buscando en la lista de Centros de ventas y Servicio que viene con esta aspiradora, O -
- llamando al **1-800-944-9200** para una referencia automática de la ubicación de los centros de servicio autorizados (EE.UU. solamente).

Le agradeceremos que no envíe su aspiradora a Hoover en Glenwillow, Ohio para servicio, ya que sólo resultará en demoras.

Si requiere asistencia adicional, comuníquese con Hoover Consumer Response Center, Teléfono: 1-800-263-6376, lunes a viernes, 8am-7pm, hora del Este.

En Canadá, comuníquese con Hoover Canada, Carson Building, 100 Carson Street, Etobicoke, Ontario, M8W 3R9, Teléfono: 1-800- 263-6376, lunes a viernes, 8am-7pm, hora del Este.

Al solicitar información o pedir piezas identifique siempre su aspiradora por el número **completo** de modelo el cual está en la posterior de la aspiradora.

## 5. Si tiene un problema

Si ocurre un problema menor, generalmente puede resolverse con bastante facilidad cuando se halla la causa. Por lo tanto, se proporciona esta lista de verificación para su comodidad.

### Problema: El aparato no funciona

#### Causa posible

*Possible solución*

- **No está bien enchufado**
- *Enchúfelo bien*
- **No hay voltaje en la toma de corriente eléctrica de la pared**
- *Inspeccione el fusible y el interruptor*
- **Fusible quemado o se disparó el interruptor**
- *Reemplace el fusible/reconecte el interruptor*

### Problema: Succión pobre

#### Causa posible

*Possible solución*

- **El tanque de recuperación está lleno y se ha activado el apagado automático**
- *Saque y vacíe el tanque de recuperación*
- **Hay un bloqueo en el accesorio al extremo de la manguera**
- *Saque el accesorio y limpie el bloqueo*
- **La tapa del tanque de recuperación no está puesta correctamente**
- *Asegúrese que la tapa esté fija*
- **El panel delantero del tanque de recuperación no se ha vuelto a colocar después de la limpieza de escaleras o tapizados**
- *Vuelva a colocar el panel delantero del tanque de recuperación (página 23)*

### Problema: La solución de limpieza no sale

#### Causa posible

*Possible solución*

- **El tanque para la solución de limpieza no está bien colocado**
- *Verifique que el tanque esté bien asegurado en su lugar*
- **El tanque para la solución de limpieza está vacío**
- *Llene el tanque de acuerdo con las instrucciones para el área que se va a limpiar*
- **La tapa del tanque de recuperación no está bien puesta**
- *Verifique que la tapa esté bien ajustada en su lugar*
- **La bomba necesita ser cebada (cuando se va usar un accesorio)**
- *Vea la sección "Antes de usar un accesorio" en la p. 23.*

### Problema: Las escobillas/indicador de escobilla no giran durante la limpieza del piso

#### Causa posible

*Possible solución*

- **La pantalla del indicador está sucia**
- *Quite la tapa transparente del indicador y limpie la pantalla. Vuelva a colocar la tapa*
- **El selector de velocidad está en la posición OFF**
- *Lleve el selector de velocidad a Low o Hi*

## Garantía completa por un año (Uso doméstico)

Su artefacto HOOVER® está garantizado, en caso de uso doméstico normal según el manual del propietario, contra defectos en el material y la fabricación por un período de un año a contar de la fecha de compra. La presente garantía cubre gratuitamente la mano de obra y las piezas necesarias para dejar este artefacto en buen estado de funcionamiento durante todo el período de garantía. Esta garantía es válida si el artefacto fue comprado en los Estados Unidos, en sus territorios y posesiones, o en Canadá o en una tienda situada en una base militar de EE.UU. Los artefactos comprados en otro lugar están cubiertos por una garantía limitada de un año que cubre solamente el costo de las piezas. Esta garantía no es válida si el artefacto es utilizado para uso comercial o de alquiler.

Esta garantía solamente es válida cuando el producto se usa en el país o territorio en el cual fue comprado.

El servicio bajo garantía se puede obtener solamente presentando el artefacto en uno de los centros autorizados de servicio de garantía siguientes. Puede requerirse la presentación de un recibo de compra antes de efectuar el servicio.

1. Centros de ventas y servicio de Hoover.
2. Concesionarios autorizados de servicio de garantía de Hoover (Depósitos).

**Para una referencia automática de la ubicación de los lugares de servicio autorizados en los EE.UU., llame al 1-800-944-9200.**

Esta garantía no cubre la recogida, la entrega, ni las visitas a domicilio; sin embargo, si usted envía su artefacto a un centro de ventas y servicio de Hoover para un servicio de garantía, el transporte será pagado en una sola dirección.

En tanto que esta garantía le otorga derechos legales específicos, usted puede además tener otros derechos que varían de un estado a otro.

Ante cualquier duda respecto a esta garantía, o para averiguar la disponibilidad de centros de servicio de garantía, llame al Consumer Response Center, Teléfono: 1-800-263-6376, lunes a viernes, 8am-7pm, hora del Este.

En Canadá, diríjase a Hoover Canada, Carson Building, 100 Carson Street, Etobicoke, Ontario, M8W 3R9, Teléfono: 1-800- 263-6376, lunes a viernes, 8am-7pm, hora del Este.

avec porte-accessoires

## Le nettoyeur pour tapis facile d'utilisation

Le SteamVac<sup>MC</sup> de HOOVER<sup>MD</sup> nettoie en profondeur les fibres de tapis en appliquant et en aspirant de l'eau chaude du robinet et une solution nettoyante et grâce à son action de frottement.

### Précautions importantes!

Lors de l'utilisation d'un appareil électrique, des précautions de base doivent toujours être respectées, en particulier les suivantes:

**LISEZ TOUJOURS LES INSTRUCTIONS AVANT D'UTILISER CET APPAREIL**

**ATTENTION:** Pour réduire les risques d'incendie, d'électrocution ou de blessure:

- Ne l'utiliser qu'à l'intérieur.
- Ne l'utiliser que sur des surfaces humidifiées par le nettoyage ou par de petits versements. N'immergez pas l'appareil.
- Branchez-le uniquement à une prise électrique avec mise à la terre. Voir les "instructions de mise à la terre".
- Ne nettoyez pas sur des prises électriques encastrées dans le sol.
- Ne l'utilisez pas sans les réservoirs en place.
- Soyez très prudent lors du nettoyage des escaliers. Ne mettez pas la shampooineuse sur les escaliers.
- Utilisez la shampooineuse uniquement pour son utilisation originale comme décrite dans les instructions. N'utilisez que les accessoires recommandés par The Hoover Company; les autres peuvent être dangereux.
- L'utilisation d'une rallonge n'est pas recommandée. S'il faut absolument une rallonge, utilisez au moins un cordon à 3 fils de jauge 16 possédant une prise de type à 3 broches avec prise de terre et une prise femelle à 3 pôles qui accepte la prise de l'appareil.
- Débranchez la shampooineuse lorsqu'elle ne sert pas. Coupez toutes les commandes avant de débrancher.
- Débrancher avant de raccorder l'embout à main électrique.
- Débranchez toujours le fil de la prise murale avant d'entretenir la shampooineuse.
- Saisissez la prise pour la débrancher de la prise murale pour éviter de détériorer le fil, la prise, les broches ou la prise murale. Ne manipulez jamais la prise ou l'appareil avec des mains mouillées.
- Ne tirez pas et ne portez pas l'appareil par le fil, n'utilisez pas le fil comme une poignée, ne fermez pas une porte sur le fil et ne tirez pas le fil autour des angles ou des bords vifs. Ne faites pas passer l'appareil sur le fil. Gardez le fil loin des surfaces chauffées.
- N'utilisez pas l'appareil avec une prise ou un fil détériorés. Si l'appareil ne fonctionne pas comme il le devrait, s'il est tombé, s'il a été détérioré, laissé dehors ou laissé tomber dans l'eau, amenez-le à un centre de vente et de service Hoover ou à un centre de service sous garantie agréé Hoover.

- Il est indispensable d'exercer une étroite surveillance lorsque l'appareil est utilisé par ou près d'enfants. Ne laissez pas la shampooineuse être utilisée comme un jouet et ne la laissez pas fonctionner sans surveillance à aucun moment.
- Ne dirigez pas les accessoires sur des personnes ni sur des animaux domestiques.
- Ne dirigez pas le suceur à mobilier et à escaliers ni l'accessoire portatif motorisé vers les gens ou les animaux.
- Employer uniquement des nettoyeurs de sols pour application par machine. Ne pas utiliser de cire avec la shampooineuse.
- Lors de l'utilisation de produits chimiques recommandés pour cette machine, s'assurer que la zone est bien ventilée.
- Pour réduire le temps de séchage, assurez-vous que la zone est bien aérée lors de l'utilisation de détergents et d'autres produits de nettoyage avec cet appareil.
- Gardez les détergents et les autres produits de nettoyage hors de portée des enfants.
- N'utilisez pas l'appareil pour ramasser des liquides combustibles ou inflammables comme l'essence et ne l'utilisez pas dans les zones où de tels produits risquent d'être présents.
- Ne ramassez pas d'eau de javel, de déboucheur de conduite, d'essence ou tout autre matériau toxique avec cet appareil.
- Ne ramassez rien qui ne brûle ou ne fume, comme les cigarettes, les allumettes ou les cendres chaudes.
- Évitez de ramasser avec la shampooineuse des objets durs et pointus. Ils risquent de détériorer l'appareil.
- Gardez les cheveux, les vêtements lâches, les doigts, les pieds et toutes les parties du corps loin des ouvertures et des pièces en mouvement.
- Ne mettez aucun objet dans les ouvertures. N'utilisez pas l'appareil avec des ouvertures bouchées; maintenez sans poussière, peluche, cheveux et tout ce qui peut réduire le débit d'air.
- Pour éviter d'emmêler la moquette et de la resaler, évitez tout contact avec la moquette jusqu'à ce qu'elle soit sèche. Gardez les enfants et les animaux domestiques éloignés jusqu'à ce qu'elle soit complètement sèche.
- Gardez dans un endroit sec. N'exposez pas l'appareil au gel.

**Manuel de l'utilisateur FRANÇAIS** → p. 26-34

Consultez ce manuel avant d'utiliser la shampooineuse.

Utilisez les instructions en français avec les schémas étape par étape du manuel d'instruction en anglais.

### INSTRUCTIONS POUR LA MISE À LA TERRE

Il faut relier cet appareil à la terre. En cas de défaillance ou de panne, la terre fournit un parcours de plus faible résistance pour le courant électrique afin de diminuer les risques de décharges électriques. L'appareil est équipé d'un cordon d'alimentation à fil de terre (C) et d'une fiche comportant une broche de terre (A). Il faut absolument brancher l'appareil dans une prise adaptée (B) convenablement montée et reliée à la terre conformément à tous les codes et décrets locaux.

### DANGER -

Un branchement incorrect du fil de terre de l'appareil peut avoir pour conséquence un risque d'électrocution. S'adresser à un électricien agréé ou à un employé qualifié du service d'entretien si l'on n'est pas certain que la prise est convenablement mise à la terre. Ne pas modifier la fiche fournie avec l'appareil: si elle ne rentre pas dans la prise, faire installer une prise convenable par un électricien qualifié. Cet appareil doit s'utiliser sur un circuit de tension nominale 120 V et est muni d'une fiche (A) qui ressemble à celle représenté dans le schéma (Fig. 1).

Il est possible d'utiliser un adaptateur provisoire (D) pour brancher cette fiche à une prise à 2 pôles (E) si on ne dispose pas d'une prise convenablement mise à la terre (Fig. 2). Il ne faut utiliser l'adaptateur provisoire que jusqu'à l'installation d'une prise convenablement mise à la terre (B) par un électricien qualifié (Fig. 1). Il faut relier le petit cavalier rigide vert, l'œillet ou toute forme semblable (F) dépassant de l'adaptateur à une terre permanente (G) comme le couvercle d'une prise convenablement mise à la terre (Fig. 2). Il faut, toutes les fois que l'on utilise un adaptateur, le maintenir en place par une vis métallique.

**NOTE:** Au Canada, l'utilisation d'un adaptateur temporaire n'est pas autorisée par le Code canadien de l'électricité.



**Nous vous remercions  
d'avoir choisi ce produit  
HOOVER®.**

Cet aspirateur a été inspecté et emballé soigneusement avant d'être expédié depuis l'usine.

Si vous avez besoin d'aide pour l'assemblage ou l'utilisation, appelez

Hoover Canada -

**1-800-263-6376**

lundi-vendredi, 8 h - 19 h HNE.

**PRIÈRE DE NE PAS RENVoyer CE  
PRODUIT AU MAGASIN.**

**Consultez ce manuel  
avant d'utiliser la sham-  
pouineuse**

**Noter et garder**

La shampouineuse HOOVER est conçue pour le nettoyage en profondeur des moquettes et des tapis. Elle peut aussi servir à nettoyer les escaliers recouverts de moquette et la tapisserie.

Les numéros de modèle et de série se trouvent à l'arrière du manche.

Inscrivez les numéros COMPLETS de série et de modèle dans les espaces ci-dessous, et conservez ce document pour référence ultérieure.

Numéro de modèle \_\_\_\_\_

Numéro de série \_\_\_\_\_

Il est recommandé de joindre votre reçu de caisse à ce document, car une vérification de la date d'achat peut être effectuée avant toute réparation couverte par la garantie.

**Contenu**

Précautions importantes .....	26
Pièces nécessaires pour l'assemblage .....	27
Assemblage de la shampouineuse ..	27-28
Description de la shampouineuse ..	28
Fonctionnement général .....	28-29
Remplissage du réservoir de solution de nettoyage .....	29
Vidange du réservoir de récupération .....	29
Sélecteur de vitesse de la brosse .....	28
Indicateur de brosse .....	28-29
Mode d'emploi	
Avant de commencer .....	29-30
Après le nettoyage .....	30
Nettoyage du tapis .....	30-31
Ramassage de liquides renversés ...	31
Nettoyage de planchers à surface dure .....	31
Utilisation des accessoires .....	31-33
Nettoyage des escaliers .....	32-33
Nettoyage des tissus de recouvrement .....	33
Lubrification .....	33
Service autorisé .....	33-34
Remisage .....	33
Dépannage .....	34
Garantie .....	34
Formulaire de commande postale pour pièces et accessoires .....	35

**1.  
Assemblage**

**Contenu de  
l'emballage**

**1-1**

- A. Shampouineuse
- B. Section supérieure du manche
- C. Boulons et écrous pour le manche
- D. Support à accessoires avec vis
- E. Tuyau
- F. Support à tuyau
- G. Accessoire pour escaliers/tissus de recouvrement

**Accessoires**

- H. Détergent à tapis/meubles capitonnés

**Les accessoires supplémentaires qui ne sont pas inclus avec votre modèle peuvent être achetés séparément à l'aide du bon de commande qui se trouve au centre de ce manuel.**

La figure ci-contre illustre le détachant/nettoyeur à tapis une fois assemblé.

**1-2**

**Montage de la section  
supérieure du manche**

Retirer le réservoir pour la solution propre (réservoir supérieur) de l'appareil.

**1-3**

S'assurer que le crochet du cordon d'alimentation (A) se trouve à l'arrière de l'appareil, puis enfoncer la section supérieure du manche dans la section inférieure. Insérer les **boulons** dans les trous à l'avant de la poignée. **Si l'insertion des boulons est difficile, la section supérieure du manche n'est pas suffisamment enfoncée.**

**1-4**

**Montage du support à  
tuyau**

Placer le support à tuyau (B) sur le manche en alignant les pattes du support avec les ouvertures situées à l'arrière du manche. S'assurer que les trous pour les boulons sont bien alignés.

**1-5**

Placer **les écrous** dans les retraits à l'arrière **du support à tuyau**. Maintenir chaque écrou en place tout en serrant bien chaque boulon (à partir de l'avant de l'appareil) avec un tournevis Phillips. Seulement deux écrous sont requis pour ce modèle. L'écrou supplémentaire inclus sert de pièce de rechange.

**1-6**

Une fois les deux sections du manche assemblées, appuyer sur la gâchette (C) puis appuyer sur le bouton « Clean Surge » (D) sur la section supérieure. Un déclic se fera entendre lorsque la tige de la gâchette sera en place.

**1-7**

**Montage du support à  
accessoires**

Retirer l'accessoire et la vis (fixée par un ruban adhésif) du support. Insérer les pattes dur support dans les fentes situées à l'arrière de la shampouineuse.

**1-8**

Faire glisser le support en place. Insérer la vis au point (D) et serrer avec un tournevis Phillips.

**1-9**

Replacer le réservoir à solution propre (réservoir supérieur) en appuyant d'abord sa partie inférieure contre l'appareil. Appuyer sur la poignée du réservoir pour fixer celui-ci en place (un déclic se fera entendre).

**1-10**

**Rangement des tuyau et  
outil**

Sortez le tuyau et odemtofoez ;es extrémités.

**E. Connecteur d'embout du tuyau**

**F. Gâchette**

**G. Tube à solution**

**H. Convertisseur d'embout du tuyau**

**Remarque:** Il peut être utile lors du rangement du tuyau et du suceur de se reporter aux **étiquettes au dos de la shampouineuse et sur l'extrémité adaptateur du tuyau.**

**1-11**

Commencer avec le convertisseur d'embout du tuyau (H). Fixer le connecteur pardessus la patte près du support à accessoires (I). Appuyer fermement sur le convertisseur pour le verrouiller en place. Enfoncer le tube à solution (G) dans la pince située près du convertisseur, tel qu'illustré.

**1-12**

Enrouler le tuyau autour du crochet situé sur la partie supérieure du manche (J). Insérer le tuyau dans les pinces situées

sur la partie supérieure du support à tuyau (K).

### 1-13

Faire passer le tuyau en dessous du support à accessoires et continuer à l'enrouler jusqu'à ce que le connecteur d'embout se trouve près de la partie supérieure du support à tuyau. Insérer le tuyau dans la pince.

### 1-14

Insérer le cordon dans la pince du support à tuyau. Tirer sur le cordon pour éliminer tout jeu éventuel.

## Rangement avant

### 1-15

#### Accessoire pour escaliers/tissus de recouvrement

Pour remiser le suceur pour escaliers et meubles tapissés, ouvrez la porte du compartiment d'accessoires, placez le suceur dans le support et mettez-le bien en place. Pour le retirer, inversez la procédure.

### 1-16

#### Remise en place du couvercle

Le couvercle du compartiment est pourvu d'un dispositif de protection, qui lui permet de se détacher s'il est ouvert de façon exagérée.

Pour le replacer, il suffit d'aligner ses charnières avec les trous situés sur les côtés du support à accessoires.

Poussez le couvercle vers le bas pour le bloquer en place.

## 2.

## Utilisation

### Description de l'appareil

La shampoineuse assemblée ressemble au dessin ci-dessous.

#### 1. Poignée

**2. Gâchette d'application de solution :** enfoncer pour libérer de la solution propre.

**3. Pince pour cordon :** placer le cordon dans la pince pour éviter qu'il ne nuise au déplacement de l'appareil pendant son utilisation.

#### 4. Tuyau

**5. Support de tuyau :** enrouler le tuyau autour du support et des crochets pour le ranger.

#### 6. Crochets de rangement du tuyau

#### 7. Crochets de rangement du cordon :

au moment de ranger l'appareil, enrouler le cordon autour des crochets. Le crochet supérieur tourne vers la droite ou la gauche, ce qui aide au dégagement du cordon.

#### 8. Accessoire pour escalier/tissus de recouvrement

#### 9. Poignée de transport

#### 10. Poignée du réservoir à solution propre

#### 11. Capuchon/tasse à mesurer du réservoir à solution propre

#### 12. Réservoir à solution propre :

#### 13. Couvercle du réservoir de récupération

#### 14. Réservoir de récupération :

#### 15. Panneau avant du réservoir de récupération

#### 16. Couvercle

**17. Sélecteur de vitesse de l'agitateur :** comporte trois positions : HI (Haute), LO (Basse) et OFF (Arrêt).

**18. Indicateur de rotation des brosses :** tourne durant la rotation des brosses.

#### 19. Buse

#### 20. Connexion du tube à solución

#### 21. Loquets du réservoir de récupération

#### 22. Pédale de Marche/Arrêt

**23. Pédale de déblocage du manche :** appuyer sur cette pédale pour abaisser le manche à sa position de fonctionnement

**Cette shampoineuse est destinée à l'utilisation domestique uniquement. N'utilisez la shampoineuse que sur la tension spécifiée sur la plaque d'information à l'arrière de l'appareil. Branchez la shampoineuse dans une prise électrique reliée à la terre.**

### Pédale MARCHÉ/ARRÊT et pédale de déblocage du manche

### 2-2

Appuyer sur la pédale (A) pour mettre l'appareil en marche. Appuyer de nouveau sur la pédale pour éteindre l'appareil.

Appuyer sur la pédale (B) pour abaisser le manche à sa position de fonctionnement. Le manche ne se verrouille pas à une seule position : il s'ajuste pour plus de commodité.

### 2-3

#### Transport

Pour déplacer l'appareil d'une pièce à l'autre, placer le manche à la position verticale, verrouiller ce dernier, incliner l'appareil pour qu'il repose sur ses roues, puis pousser.

### 2-4

Il est aussi possible de soulever l'appareil pour le transporter. Placer une main sous la poignée du réservoir à solution propre (réservoir supérieur), tel qu'illustré.

### 2-5

#### Fermeture automatique

Lorsque le réservoir de récupération (réservoir inférieur) est plein, le dispositif de fermeture automatique coupe la succion de l'appareil (**la succion baisse de façon significative une fois le réservoir plein.**)

À ce moment, le disque flottant jaune remonte jusqu'au haut du couvercle du réservoir de récupération (E). L'appareil ne peut alors plus ramasser de solution utilisée, et **le bruit du moteur deviendra sensiblement plus aigu.**

**Éteindre l'appareil, puis vider le réservoir de récupération** avant de poursuivre l'utilisation.

Vérifier également le réservoir à solution propre : il peut avoir besoin d'être rempli.

### 2-6

#### Sélecteur de vitesse de l'agitateur

L'aspirateur SteamVac<sup>MC</sup> comporte trois réglages de vitesse des brosses.

**HI (Haute)** - pour le nettoyage normal du tapis et des planchers à surface dure.

**LO (Basse)** - pour le nettoyage en douceur du tapis ou du plancher.

**OFF (Arrêt)** - si aucune action des brosses n'est désirée (p. ex. pour le ramassage de liquides renversés. Voir page 31.)

Avant le nettoyage, faire glisser le sélecteur à la position désirée.

### 2-7

#### Indicateur de rotation des brosses

L'indicateur de rotation des brosses tourne (F) lorsque l'appareil est en marche et que les brosses tournent.

**Si l'indicateur ne tourne pas mais que le symbole est toujours visible (G) pendant que l'appareil est en marche, les brosses ne tournent pas.**

Il y a trois raisons pour que les brosses ne tournent pas :

1. Le sélecteur de la vitesse de brosse est à OFF. (voir section précédente).
2. Tube de solution connecté (Fig. 3-10).
3. L'écran de l'indicateur est sale

(Fig. 2-8).

## 2-8

Pour nettoyer l'écran (H), **éteindre puis débrancher l'aspirateur.**

Retirer le couvercle transparent puis essuyer l'écran avec un linge humide. Remettre le couvercle en place.

## 2-9

### Réservoirs

#### Réservoir à solution propre (réservoir supérieur)

Le réservoir à solution propre contient la solution de nettoyage qui sera appliquée sur la surface à nettoyer.

#### Remplissage du réservoir

**Couper l'alimentation électrique de l'appareil.**

Verrouiller le manche de l'appareil à la position verticale.

Pour enlever le réservoir, enfoncer la poignée et tirer vers l'avant.

Placer le réservoir dans un évier.

## 2-10

Tourner le capuchon du réservoir dans le sens contraire des aiguilles d'une montre pour l'enlever.

## 2-11

Placer le capuchon (A) à l'envers pour l'utiliser comme tasse à mesurer.

À l'aide du capuchon, mesurer le détergent selon le tableau.

#### Pour les tapis, escaliers et tissus de recouvrement :

Remplir le capuchon jusqu'à la ligne de remplissage 150 ml (5 onces) avec le détergent à tapis/meubles capitonnés Hoover.

#### Pour les planchers à surface dure :

Remplir le capuchon jusqu'à la ligne de remplissage (5 onces) avec le détergent pour planchers à surface\* HOOVER.

Ne pas utiliser le détergent pour planchers à surface dure le tapis ou les tissus de recouvrement. **Éviter d'utiliser n'importe quelle cire avec votre aspirateur SteamVac<sup>MC</sup>.**

**REMARQUE: N'utiliser que des détergents HOOVER.** Ils sont spécialement conçus pour votre appareil SteamVac<sup>MC</sup>. \*Disponible en option s'il n'est pas inclus avec votre appareil.

**Pour les zones très fréquentées : Pré-traiter avec le vaporisateur pour taches et endroits passants\* de HOOVER.**

**Si vous n'avez pas de vaporisateur pour taches et endroits passants, doubler la quantité de détergent**

**HOOVER (2 capuchons, ou 10 onces, par réservoir de 1 gallon).**

**MISE EN GARDE : Les détergents contiennent des surfactifs anioniques et non ioniques. Éviter tout contact avec la peau et les yeux. En cas de contact avec les yeux, rincer à l'eau froide pendant 15 minutes. S'il y a contact avec la peau, laver à l'eau. Si l'irritation persiste, consulter un médecin.**

## 2-12

**Verser le détergent dans le réservoir. Remplir le réservoir jusqu'à la ligne de remplissage (B) (1 gallon, ou 4,5 litres) avec de l'eau chaude.**

Pour une performance optimale, **n'utiliser que du détergent nettoyant HOOVER.**

## 2-13

Si l'anneau de caoutchouc (C) du capuchon est déplacé, le remettre en place, son côté inégal contre le rebord du capuchon (D) tel qu'illustré.

## 2-14

Replacer le capuchon. **Le faire tourner dans le sens des aiguilles d'une montre jusqu'à son blocage. Le capuchon doit être verrouillé en place afin d'assurer son étanchéité et son bon rendement.**

## 2-15

Placer le bas du réservoir dans l'appareil et appuyer sur la poignée du réservoir pour le verrouiller en place.

### Réservoir de récupération (réservoir inférieur)

Le réservoir de récupération contient la solution sale que l'appareil a ramassée.

Une fois le réservoir plein, le dispositif de fermeture automatique s'activera (voir page 28). Le réservoir doit alors être vidé.

### Vidange du réservoir

**Couper l'alimentation électrique de l'appareil.**

Pour empêcher toute fuite, retirer le réservoir à solution propre (fig. 2-9) en enfonçant la poignée du réservoir et en tirant vers l'avant; mettre le réservoir de côté (**éviter de placer le réservoir sur un meuble**).

## 2-16

Appuyer sur la pédale de déblocage du manche puis abaisser ce dernier jusqu'à ce qu'il repose sur le sol.

Pour nettoyer un escalier ou un meuble capitonné, enlever le tuyau en effectuant la procédure inverse, tel qu'indiqué à la page 32.

Faites tourner les loquets du réservoir de récupération vers l'extérieur (un de chaque côté du réservoir).

Soulever le réservoir et le déposer dans un évier ou un drain.

## 2-17

Déverrouillez l'arrière du couvercle du réservoir et retirez le couvercle. Videz le réservoir. Pour de meilleurs résultats, versez l'eau sale par l'arrière du réservoir (F).

## 2-18

**Le couvercle se met en place comme une charnière.** Positionnez l'avant du couvercle contre les languettes (G) à l'avant du réservoir. **Assurez-vous que le couvercle est fermement en place avant de continuer à nettoyer.**

**Appuyez fermement vers le bas sur le collier du connecteur pour vous assurer qu'il est fermement branché.**

## 2-19

Remettez le réservoir en place et appuyez vers le bas pour vous assurer qu'il est bien positionné.

**Faites tourner les loquets (E) (un de chaque côté du réservoir) vers l'extérieur pour verrouiller le réservoir en place.** Pour continuer de nettoyer les escaliers ou les meubles tapissés, remettez le flexible en place comme illustré sur la page 32. Levez le manche en position verticale et remettez en place le réservoir supérieur de solution de nettoyage.

## 3.

### Nettoyage Avant de commencer

**a. Bien passer l'aspirateur** – Pour les tapis, utiliser un aspirateur avec agitateur pour obtenir de meilleurs résultats. Nettoyer les tissus de recouvrement avec un aspirateur muni des embouts appropriés. Utiliser un bec suceur pour nettoyer les plis et les capitonnages. **Ne pas utiliser l'appareil SteamVac<sup>MC</sup> comme un aspirateur à sec.**

**b. Pour les tissus de recouvrement, consulter le code de nettoyage** – N'utiliser votre appareil "SteamVac" de HOOVER que si le tissu de recouvrement est identifié "W" (nettoyage humide) ou "SW" (nettoyage aux solvants/à sec ou

nettoyage humide). **Éviter de nettoyer les tissus marqués "S" (solvants/à sec seulement)**. Si vos tissus de recouvrement ne sont pas marqués, demander l'aide d'un professionnel.

**c. Vérifier la solidité des couleurs** – Mélanger le détergent et l'eau selon les instructions de la section "Remplissage du réservoir à solution propre" (2-9 à 2-15). Humecter un linge blanc absorbant avec la solution puis frotter sur une petite zone cachée du tapis. Attendre 10 minutes, puis vérifier que la couleur ne s'est pas transférée sur le linge et que le tapis a toujours une couleur convenable une fois sec. Si le tapis comporte plus qu'une couleur, les vérifier toutes.

**d. Si tout le plancher doit être nettoyé, déplacer les meubles** (pas nécessaire si les zones à circulation élevée seulement sont nettoyées). Placer du papier d'aluminium ou du papier ciré sous les pattes des meubles trop lourds pour être déplacés afin que les finis de bois ne tachent pas le tapis. Épingler aussi les rideaux et les franges des meubles.

**e. Prétraiter les taches et les zones à circulation élevée avec le vaporisateur pour taches et endroits passants\* de HOOVER®.** Tester de nouveau la solidité des couleurs en vaporisant le produit sur une section cachée. Attendre 10 minutes, puis essuyer avec des essuie-tout ou un linge blanc.

Si aucun changement de couleur n'est visible, vaporiser le vaporisateur pour taches et endroits passants sur les taches et les zones à circulation élevée. Attendre au moins 10 minutes puis utiliser l'aspirateur SteamVac<sup>MC</sup> pour ramasser le vaporisateur pour taches et endroits passants et la tache. Répéter l'opération jusqu'à ce que la tache soit disparue : si nécessaire, frotter doucement avec une brosse.

**Ne pas saturer** le tapis ou le recouvrement de vaporisateur pour taches et endroits passants.

**Si vous n'avez pas de vaporisateur pour taches et endroits passants, doubler la quantité de détergent à tapis/meubles capitonnés HOOVER (2 capuchons, ou 10 onces, par réservoir de 1 gallon).**

Aucune solution nettoyante ne peut enlever toutes les taches de toutes les surfaces. L'efficacité varie selon la nature de la tache, le temps écoulé avant son nettoyage, le type de tapis et le matériel qui le compose.

**f. Pour éviter les taches** – Utiliser une pellicule de plastique ou du papier d'aluminium pour protéger les surfaces de bois ou de métal du jet d'eau.

**g. Pour éviter de détremper et ainsi d'endommager les planchers de bois sous le tapis/la moquette** – Placer le tapis sur une surface qui n'est pas en bois ou placer un matériau imperméable (comme du plastique) sous le tapis avant de le nettoyer.

Voir page 32 pour des instructions concernant différentes tâches de nettoyage.

\*Vendu séparément si non inclus avec votre modèle.

### Après le nettoyage

**a.** Laisser le tapis sécher. Afin d'éviter de salir le tapis de nouveau, éviter que des enfants ou des animaux y circulent jusqu'à ce qu'il **soit complètement sec**. **S'il est nécessaire de marcher sur le tapis avant qu'il ne soit sec**, placer des serviettes ou des linges blancs sur la zone où l'on circulera.

Si les meubles doivent être remis en place lorsque le tapis est encore humide, placer une pellicule de plastique ou du papier d'aluminium sous les pattes des meubles afin que les glissières métalliques ou les finis de bois ne tachent pas le tapis ou la moquette.

**b.** Si désiré, le tapis peut aussi être rincé. **Le rinçage n'est pas nécessaire**, mais il peut améliorer l'apparence de la surface une fois sèche. Au cours du rinçage, s'assurer de ne pas saturer le tapis. **Laisser le tapis sécher complètement entre le nettoyage et le rinçage.** Pour rincer, suivre les mêmes directives que pour le nettoyage, en utilisant toutefois de l'eau chaude sans détergent dans le réservoir à solution propre (réservoir supérieur).

**c.** Vider les réservoirs, rincer à l'eau propre et laisser sécher à l'air. Rincer le capuchon et le couvercle du réservoir à solution propre puis laisser sécher à l'air.

### 3-1

**d.** Retirer les débris du filtre du réservoir de récupération et rincer à l'eau propre.

**Remarque :** Si le filtre doit être enlevé pour être nettoyé, le nettoyage sera plus facile si le filtre est humide.

**e.** Si désiré, passer de nouveau l'aspirateur une fois le tapis complètement sec. Ainsi, il ne restera plus aucune trace laissée par les brosses de l'aspirateur.

### Nettoyage de la buse

Si de la mousse ou des débris s'accumulent dans la buse, **ne pas enlever le couvercle de la buse.**

Verser une à deux tasses d'eau propre sur une surface dure. **Éviter de verser de l'eau sur un plancher de bois.**

Ramasser l'eau avec l'appareil. Répéter aussi souvent que nécessaire jusqu'à ce que les débris soient enlevés de la buse.

Pour nettoyer l'extérieur de l'appareil, essuyer la saleté avec un humecté d'une solution d'eau tiède et de détergent doux. **Ne pas utiliser de solvant ni de produits à base de pétrole pour nettoyer la machine.**

## Nettoyage du tapis

**Lire la section "Avant de commencer" à la page 29.**

1. Remplir le réservoir à solution propre (réservoir supérieur) avec le détergent à tapis/meubles capitonnés HOOVER selon les instructions relatives aux Figures 2-9 à 2-15.

### 3-2

**2. Glisser le sélecteur à la position LO pour un nettoyage en douceur ou à la position HI pour un nettoyage normal.**

3. Brancher l'appareil dans une **prise correctement mise à la terre.**

**Éviter de passer l'appareil sur des prises d'alimentation au sol.**

4. Pour éviter d'avoir à marcher sur le tapis humide, commencer le nettoyage à l'extrémité de la pièce la plus loin de la porte ou du chemin vers l'évier où les réservoirs seront vidés et remplis.

Appuyer sur la pédale de déblocage du manche, rabaisser ce dernier jusqu'à sa position de fonctionnement, puis mettre l'appareil en marche.

5. Appuyer sur la gâchette pour appliquer la solution de nettoyage puis pousser lentement l'appareil vers l'avant (une passe humide).

6. Continuer d'appuyer sur la gâchette et ramener **lentement** l'aspirateur vers soi (deuxième passe humide). Relâcher la gâchette et pousser de nouveau, lentement, l'aspirateur vers l'avant (passe à sec). Ramener **lentement** l'aspirateur vers soi, sans appuyer sur la gâchette (deuxième passe à sec).

7. Chevaucher les passes sur 2,5 cm afin d'éviter tout effet de marquage.

Maintenir la buse à plat sur le plancher pendant les passes avant et arrière.

8. Pour les surfaces très sales, répéter les étapes 5 à 7. Éviter de saturer le tapis, comme indiqué ci-dessous.

9. Pour les tapis et les taches très sales, utiliser le bouton « Clean Surge » (voir la section suivante). Éviter de saturer le tapis, comme indiqué ci-dessous.

**Remarque :** Pour éviter de saturer le tapis, éviter d'effectuer plus de 4

**passes humides sur une zone donnée. Toujours terminer avec des passes à sec.**

Il est préférable d'alterner les passes humides et à sec, tel que décrit plus haut.

Pour de meilleurs résultats et un séchage plus rapide, terminer le nettoyage avec plusieurs passes à sec. (Répéter les passes à sec jusqu'à ce que très peu d'eau soit visible par le couvercle du réservoir de récupération.) Vider le réservoir de récupération lorsque le bruit du moteur devient nettement plus aigu et qu'il y a perte de succion (voir "Fermeture automatique", Fig. 2-5).

Une fois le nettoyage terminé, consulter la section "Après le nettoyage" à la page 30.

## Ramassage de liquides renversés

L'appareil SteamVac<sup>MC</sup> de HOOVER peut s'utiliser pour ramasser les **faibles quantités de liquide renversé (1 gallon (4,5 L) ou moins, jamais plus de 1/4 po (6 mm) de profondeur) sur un tapis.**

Pour de meilleurs résultats, ramasser immédiatement le liquide renversé en plaçant l'embout pour escaliers/tissus de recouvrement au-dessus de la tache et en aspirant tout résidu à la surface du tapis. Si le liquide n'est pas complètement ramassé, placer l'embout pour escaliers/tissus de recouvrement ou la buse pour plancher devant le liquide renversé. *S'assurer que les brosses ne tournent pas* (position OFF). Amener la buse très lentement vers le liquide, d'abord avec la succion seulement. Répéter, cette fois en vaporisant aussi.

**Pendant la ramassage de liquides renversés, n'utiliser la buse qu'avec l'accessoire pour planchers à surface dure en place et le sélecteur de vitesse à la position OFF** (ainsi, le liquide ne se répandra pas).

S'il reste une tache, l'embout pour escaliers/tissus de recouvrement convient habituellement mieux pour l'enlever. Bien qu'aucune solution nettoyante ne puisse enlever toutes les taches, on peut traiter celles-ci en suivant les instructions du fabricant du tapis à traiter.

**Éviter d'utiliser l'appareil pour ramasser des liquides ou des produits chimiques inflammables ou combustibles.**

Une fois le nettoyage terminé, consulter la section "Après le nettoyage" à la page 30.

### 3-3

## Bouton Clean Surge<sup>MC</sup>

Le bouton « Clean Surge » peut être utilisé pour appliquer une quantité supplémentaire de solution pendant le nettoyage de taches ou de zones particulièrement sales de tapis. Il suffit d'appuyer sur le bouton « Clean Surge » pendant que la gâchette d'application de solution est enfoncée. Pour l'application normale de la solution, relâcher le bouton et continuer d'enfoncer la gâchette.

## Nettoyage de planchers à surface dure

### Pose de l'accessoire pour planchers à surface dure (Vendu séparément)

#### Couper l'alimentation électrique de l'appareil.

Afin d'éviter toute fuite possible, retirer le réservoir de solution propre (Fig. 2-9) et le réservoir de récupération (Fig. 2-16) avant de placer l'embout pour planchers à surface dure. Mettre les réservoirs de côté (éviter de les placer sur un meuble).

Placer le manche à sa position verticale, puis incliner l'appareil vers l'arrière de façon à ce que le manche repose sur le sol.

### 3-4

S'assurer que la bande de mousse (A) (située sous le filet) est dans la position illustrée, puis placer l'embout à l'avant de la buse (B). S'assurer que la flèche à l'avant de l'embout pointe dans la direction illustrée.

### 3-5

Placer l'embout contre la buse tout en le faisant tourner vers le bas jusqu'à ce que les deux extrémités se fixent en place (un déclic se fera entendre).

**(Remarque : un certain effort peut être requis pour faire tourner l'embout et le fixer en place.)**

Remettre l'appareil à sa position verticale. Rabaissier le manche et remettre le réservoir de récupération en place.

Lever le manche jusqu'à sa position verticale puis replacer le réservoir à solution propre (réservoir supérieur).

## Nettoyage du plancher

Lire la section "Avant de commencer" à la page 29.

**Éviter d'utiliser l'appareil SteamVac sur les planchers de bois franc.**

Remplir le réservoir de solution propre avec du nettoyant pour plancher à surface dure de HOOVER (disponible en option s'il n'est pas inclus avec votre appareil), conformément aux Figures 2-9 à 2-15.

**Éviter d'utiliser n'importe quelle cire avec votre aspirateur SteamVac<sup>MC</sup>.**

**Régler le sélecteur de vitesse à la position LO (BASSE) ou HI (HAUTE) pour le frottage désiré ou à OFF (ARRÊT) si aucun frottage n'est souhaité.**

S'assurer d'avoir les mains sèches, puis **brancher l'appareil dans une prise correctement mise à la terre.**

Appuyer sur la pédale de déblocage du manche, rabaissier ce dernier jusqu'à sa position de fonctionnement, puis mettre l'appareil en marche.

Pour appliquer de la solution, appuyer sur la gâchette. Déplacer lentement l'appareil vers l'avant puis l'arrière, au-dessus de la surface à nettoyer.

Pour ramasser la solution sale, relâcher la gâchette puis avancer lentement l'appareil au-dessus de la région où la solution vient d'être appliquée. Utiliser des mouvements de va-et-vient.

Vider le réservoir de récupération lorsque le bruit du moteur devient nettement plus aigu et qu'il y a perte de succion (voir "Fermeture automatique", Fig. 2-5).

Une fois le nettoyage terminé, consulter la section "Après le nettoyage" à la page 30.

Enlever l'accessoire de l'embout et rincer à l'eau claire. **Débrancher l'appareil de sa prise d'alimentation électrique.** Rincer à l'eau propre. **Éviter d'enlever l'écran de plastique ou de la mousse de l'embout.**

## Utilisation de l'accessoire

### 3-6

L'embout pour escaliers/tissus de recouvrement comporte une brosse intégrée qui apporte l'action de frottage parfois nécessaire à l'élimination de certaines taches.

### Comment brancher le flexible

Couper l'alimentation électrique de l'appareil.



### 3-7

1. Pour éviter des fuites possibles, retirez le réservoir de solution de nettoyage en appuyant sur la poignée de réservoir (D) vers le bas et en tirant vers l'avant; mettez le réservoir de côté (ne le posez pas sur un meuble).

### 3-8

2. Appuyez sur la pédale de déverrouillage du manche (E) et abaissez le manche de la shampooineuse jusqu'à ce qu'il soit posé sur le sol.

Déverrouillez la partie arrière du couvercle du réservoir de récupération et retirez le couvercle.

### 3-9

3. Retirez le panneau avant du réservoir de récupération en le faisant glisser vers le haut.

### 3-10

4. Remettez en place le panneau avec le connecteur de flexible (G). Faites glisser le connecteur vers le bas jusqu'à ce qu'il s'emboîte fermement en place.

### 3-11

**5. Avant de brancher le tube sur la shampooineuse (H), assurez-vous que les languettes noires sont allongées en tirant le collier beige vers le tube.**

Ouvrez le clapet du capot étiqueté "Branchement escaliers/meubles tapissés". Enfoncez le connecteur de tube de solution rond sur la partie ronde à l'intérieur du clapet.

**Appuyez fermement vers le bas sur le collier du connecteur pour vous assurer qu'il est fermement branché.**

### 3-12

**6. Le couvercle du réservoir se met en place comme une charnière.** Positionnez l'avant du couvercle contre les languettes (I) à l'avant du réservoir. Faites basculer le couvercle sur le réservoir. **Assurez-vous que le couvercle est fermement en place avant de nettoyer.**

**Pour une aspiration maximale, il est important de bien bloquer le couvercle de la cuve de récupération avant d'aspirer.**

**Inversez le procédé pour retirer le flexible et le tube de solution.**

Soulevez en position verticale le manche de la shampooineuse.

### 3-13

#### Comment brancher le accessoire

Tous les accessoires se posent de la même façon :

1. Fixer l'accessoire au connecteur d'embout du tuyau en le faisant glisser dans le connecteur jusqu'à ce que la languette (J) se verrouille en place.

À l'aide de votre pouce, **pousser le loquet (K) vers l'avant et le haut** pour enlever l'accessoire, tel qu'illustré.

#### Avant d'utiliser l'accessoire

Il peut être nécessaire d'enlever l'air du système ("amorcer la pompe") afin que la solution propre se rende jusqu'à l'accessoire. Voici la démarche :

1. Fixer l'accessoire au tuyau et mettre l'appareil en marche.

2. Placer l'accessoire sur une surface dure ou contre votre main afin de bloquer la succion.

3. Attendre quelques secondes (cela peut prendre jusqu'à 15 secondes). Ensuite, appuyer sur la gâchette et commencer à nettoyer.

Suivre les instructions aux pages 32 pour les tâches de nettoyage appropriées.

#### Après l'utilisation de l'accessoire

### 3-14

1. Suivre les étapes "a" et "b" de la section "Après le nettoyage" en page 30.

2. Drainer le tuyau en mettant l'appareil en marche et en tenant l'extrémité du tuyau pendant plusieurs secondes sans appuyer sur la gâchette.

**3. Couper l'alimentation électrique de l'appareil.**

4. Videz la solution en plaçant l'extrémité ronde du tube dans l'évier et levez l'extrémité suceur au-dessus de votre tête. Appuyez sur le déclenchement.

5. Poursuivre avec les étapes "c", "d" et "e" de la section "Après le nettoyage" en page 30.

### 3-15

Des débris peuvent occasionnellement se loger à l'intérieur du boyau au bout de l'adaptateur (L). Pour dégager le boyau, soulevez la base de l'attache de

l'adaptateur (M) à l'aide d'un tournevis et retirez l'attache. Retirez les débris selon l'illustration.

### 3-16

Réengagez l'attache en position en vous assurant que le tube de solution (N) n'est pas pincé et qu'il peut bouger librement.

### 3-17

Remettez en place le panneau avant du réservoir de récupération. **Faites le panneau vers le bas jusqu'à ce qu'il s'emboîte fermement en place.**

## Nettoyage des escaliers

**Lire la section "Avant de commencer" à la page 29.**

1. Placer le manche en position verticale. **Les brosses de l'agitateur ne tournent pas lorsque le manche est à la verticale.**

2. Remplir le réservoir de solution propre avec le détergent à tapis/meubles capitonnés HOOVER, conformément aux Figures 2-9 à 2-15.

3. Fixer l'accessoire à l'extrémité du tuyau.

4. Étant donné la longueur du tuyau, il peut être nécessaire de placer l'appareil en haut des escaliers pour nettoyer la moitié supérieure des marches, et au pied de l'escalier pour nettoyer la moitié inférieure.

**Afin d'empêcher l'aspirateur de tomber, faire preuve d'une grande prudence pendant le nettoyage des escaliers.**

**Ne pas placer l'appareil sur les marches de l'escalier.**

**Éviter de pointer l'appareil vers des personnes ou des animaux.**

### 3-18

5. S'assurer d'avoir les mains sèches avant de brancher l'appareil dans une prise correctement mise à la terre.

6. Mettre l'appareil en marche. Si nécessaire, consulter la section "Avant d'utiliser l'accessoire" pour retirer l'air du système.

7. Pré-vaporiser les escaliers en gardant l'accessoire à environ 2,5 cm au-dessus du tapis et le pousser vers l'avant tout en appuyant sur la gâchette (une passe humide).

8. Appuyer l'accessoire sur la



contremarche et l'enfoncer légèrement dans le tapis. Appuyer sur la gâchette et passer de nouveau lentement l'accessoire (deuxième passe humide). Relâcher la gâchette à la fin de la passe.

### 3-19

9. Lever l'accessoire puis l'appuyer de nouveau sur la contremarche. Ramener l'accessoire vers soi, sans appuyer sur la gâchette (passe à sec).

Il est préférable d'alterner les passes humides et à sec, tel que décrit plus haut. Terminer avec plus de passes à sec afin que le tapis sèche plus rapidement.

10. Chevaucher les passes de 1 cm afin d'éviter les marques.

**Pour éviter de saturer le tapis, éviter d'effectuer plus de 4 passes humides sur une zone donnée. Toujours terminer avec des passes à sec.**

Si un nettoyage supplémentaire est requis, attendre que le tapis soit complètement sec avant de réutiliser l'accessoire.

11. Vider le réservoir de récupération lorsque le bruit du moteur devient nettement plus aigu et qu'il y a perte de succion (voir "Fermeture automatique", Fig. 2-5).

Une fois le nettoyage terminé, consulter les sections "Après le nettoyage" à la page 30 et "Après l'utilisation de l'accessoire" à la page 32.

## Nettoyage des tissus de recouvrement

Lire la section "Avant de commencer" à la page 29.

S'assurer de vérifier le code de nettoyage du tissu. **N'utiliser l'appareil qu'avec des tissus portant le code "W" ou "W/S".**

1. Placer le manche en position verticale. **Les brosses de l'agitateur ne tournent pas lorsque le manche est à la verticale.**

2. Remplir le réservoir de solution propre avec le détergent à tapis/meubles capitonnés HOOVER, conformément aux Figures 2-9 à 2-15.

3. Fixer l'accessoire à l'extrémité du tuyau.

**Éviter de pointer les accessoires vers des personnes ou des animaux.**

4. S'assurer d'avoir les mains sèches, puis brancher l'appareil dans une **prise correctement mise à la terre.**

### 3-20

5. Mettre l'appareil en marche. Si nécessaire, consulter la section "Avant d'utiliser l'accessoire" pour retirer l'air du système.

6. Appuyer légèrement l'accessoire contre le tissu. Appuyer sur la gâchette puis passer la buse sur le tissu.

7. Chevaucher les passes de 1 cm afin d'éviter de laisser des marques.

Effectuer des passes supplémentaires sans appuyer sur la gâchette afin d'enlever le plus d'humidité possible.

8. Pour nettoyer dans les coins ou les plis, soulever l'accessoire à 1 cm du tissu et appuyer sur la gâchette.

9. Aspirer la solution avec l'accessoire sans appuyer sur la gâchette.

### 3-21

10. Pour les surfaces très sales, il peut être nécessaire de répéter l'opération de nettoyage. Faire des tracés en croix par rapport au motif du tissu, et chevaucher chaque passe.

**Ne pas dépasser 2 passes humides à un même endroit afin d'éviter que la surface soit trop mouillée, ce qui pourrait endommager le tissu.**

Si un nettoyage supplémentaire est requis, attendre que le tapis soit complètement sec avant de réutiliser l'accessoire.

11. Vider le réservoir de récupération lorsque le bruit du moteur devient nettement plus aigu et qu'il y a perte de succion (voir "Fermeture automatique", Fig. 2-5).

Une fois le nettoyage terminé, consulter les sections "Après le nettoyage" à la page 30 et "Après l'utilisation de l'accessoire" à la page 32.

## 4.

### Entretien Balais amovibles

Votre shampoineuse est équipée de brosses amovibles pour faciliter le nettoyage.

**Pour enlever les brosses : Débrancher l'aspirateur de la prise de courant.**

Pour éviter les fuites, enlever le réservoir de solution transparente et le réservoir de récupération. Mettre le réservoir de côté.

### 4-1

Enfoncer le pédale de déclenchement du manche pour abaisser le manche. Retourner l'aspirateur à l'envers.

### 4-2

Saisir la partie intérieure de la brosse (A) et tirer légèrement sur l'ensemble de la brosse pour avoir accès aux verrous (B).

### 4-3

Enfoncer les quatre verrous (B) puis retirer le module de brosse. Les brosses peuvent être nettoyées à l'eau courante.

### 4-4

**Pour remplacer les brosses**

Aligner les protubérances (C) aux deux extrémités de l'ensemble de la brosse avec les encoches (D) dans le boîtier de l'aspirateur. S'assurer que la protubérance carrée (E) est aussi alignée dans le trou carré (F). Faire tourner un peu les brosses jusqu'à ce que la protubérance entre facilement dans le trou.

### 4-5

Appuyer fermement sur l'ensemble de la brosse jusqu'à ce qu'il s'enclenche en place.

## Remisage

Avant de ranger l'appareil:

- Vider le réservoir à solution propre et bien rincer à l'eau propre.

- Replacer le réservoir et mettre l'appareil en marche. Appuyer sur la gâchette, pousser puis tirer l'appareil plusieurs fois pour évacuer toute solution encore dans l'appareil. (Ne pas utiliser l'appareil sur des planchers de bois.)

- Vider le réservoir à solution propre et bien rincer à l'eau propre.

**Laisser les brosses et le dessous de l'appareil bien sécher à l'air libre avant de la ranger sur une surface avec tapis ou en bois.**

**Éviter de ranger l'appareil avec le réservoir à solution propre encore plein.**

## Lubrification

Le moteur est pourvu de paliers suffisamment lubrifiés pour toute la durée de vie du moteur. Tout lubrification supplémentaire pourrait causer des dommages. **Éviter d'ajouter du lubrifiant aux paliers du moteur.**

## Service autorisé

Pour obtenir le service autorisé HOOVER ou des pièces d'origine HOOVER, il vous faut l'adresse du

**T.S.V.P → 33**

Centre de vente et de service Hoover ou de l'atelier de service garanti autorisé Hoover (dépôt) près de chez vous. Pour ce faire, vous pouvez :

- Consulter les pages jaunes sous la rubrique "Aspirateurs domestiques - vente & service", OU
- Composer le 1-800-944-9200 pour écouter un message vous indiquant les adresses des centres de service autorisés (É.-U. seulement).

**Prière de ne pas** envoyer votre appareil à l'adresse de Glenwillow, Ohio pour qu'il soit réparé. Il n'en résulterait que des délais supplémentaires.

Si d'autres renseignements sont requis, communiquer avec le centre d'aide à la clientèle Hoover, Téléphone : 1-800-263-6376 lundi-vendredi, 8 h - 19 h HNE.

Au Canada, s'adresser à Hoover Canada, Carson Building, 100 Carson Street, Etobicoke, Ontario, M8W 3R9, Téléphone: 1-800-263-6376 lundi-vendredi, 8 h - 19 h HNE.

Au moment de demander des renseignements ou de commander des pièces, toujours identifier l'appareil par son numéro de modèle complet. (Le numéro se trouve au bas de l'aspirateur.)

## 5. Dépannage

Si un problème d'ordre mineur survient, il peut habituellement être résolu très facilement. Il suffit de consulter la liste ci-dessous pour en trouver la cause.

### Problème: L'aspirateur refuse de fonctionner

**Cause possible**  
*Solution possible*

- **L'appareil est mal branché**
- *Bien enfoncer la prise mâle dans la prise d'alimentation*
- **La prise d'alimentation ne fournit aucune tension**
- *Vérifier le fusible ou le disjoncteur*
- **Fusible grillé/disjoncteur déclenché**
- *Remplacer le fusible/réenclencher le disjoncteur*

### Problème: L'appareil aspire mal

**Cause possible**  
*Solution possible*

- **Le dispositif de fermeture automatique s'est déclenché**
- *Enlever puis vider le réservoir de récupération*
- **Il y a obstruction dans l'accessoire ou le tuyau**
- *Retirer l'accessoire et enlever l'obstruction*

- **Le couvercle du réservoir de récupération est mal fixé**
- *S'assurer que le couvercle est bien en place*

- **Le panneau avant du réservoir de récupération n'a pas été remis en place après nettoyage d'escaliers ou de tapisserie**

• *Remettez en place le panneau avant du réservoir de récupération (page 32)*

### Problème: L'appareil refuse d'appliquer la solution propre

**Cause possible**  
*Solution possible*

- **Le réservoir à solution propre est mal fixé**
- *S'assurer que le réservoir est bien fixé en place*
- **Le réservoir à solution propre est vide**
- *Remplir le réservoir selon les instructions relatives à la surface à nettoyer*
- **Le couvercle du réservoir de récupération est mal fixé**
- *S'assurer que le couvercle est bien en place*

- **La pompe doit être amorcée (pendant l'utilisation de l'accessoire)**

• *Consulter la section "Avant d'utiliser l'accessoire", p. 32.*

### Problème: Les brosses/l'indicateur de rotation des brosses ne tournent pas lorsque l'appareil est en marche

**Cause possible**  
*Solution possible*

- **L'écran de l'indicateur est sale**
- *Enlever le couvercle au-dessus de l'indicateur et nettoyer l'écran*
- **Le sélecteur de vitesse est à la position OFF**
- *Régler le sélecteur à LO ou à HI*

## Garantie d'un an (Utilisation domestique)

Votre appareil HOOVER® est garanti, en cas d'utilisation domestique normale selon le mode d'emploi, contre tout défaut de matériaux et de fabrication pendant une période d'un an à partir de la date d'achat. La présente garantie couvre gratuitement la main-d'œuvre et les pièces nécessaires pour remettre l'aspirateur en état de bon fonctionnement durant toute la période de garantie. Cette garantie est valide si l'appareil est acheté aux États-Unis, dans ses territoires ou possessions, au Canada ou dans un magasin situé, sur une base militaire. Les appareils achetés ailleurs bénéficient d'une garantie d'un an limitée aux pièces.

Cette garantie s'avère invalide si l'appareil est employé dans le commerce ou en location.

Cette garantie ne s'applique que si l'appareil est utilisé dans le pays ou le territoire où il a été acheté.

La réparation sous garantie ne peut être obtenue qu'en présentant l'appareil à l'un des centres agréés pour de telles réparations. La preuve de l'achat doit être présentée avant que le service ne soit effectué.

1. Les centres de vente et de service Hoover.
2. Les réparateurs agréés Hoover pour les aspirateurs sous garantie.

La présente garantie ne couvre pas le ramassage, la livraison, ni la visite à domicile. Cependant, si vous envoyez votre appareil à un centre de vente et de service Hoover pour un service de garantie, le prix du transport sera payé sur un aller.

Bien que la présente garantie vous donne des droits spécifiques légaux, vous pouvez aussi faire valoir d'autres droits qui peuvent varier d'un état à l'autre ou d'une province à l'autre.

Au cas où une aide supplémentaire serait nécessaire, pour toute question concernant la présente garantie, ou pour obtenir l'adresse des centres et réparateurs agréés, téléphoner au Service d'assistance du consommateur, Hoover, Inc., Téléphone : 1-800-263-6376 lundi-vendredi, 8 h - 19 h HNE.

Au Canada, contactez Hoover Canada, Carson Building, 100 Carson Street, Etobicoke, Ontario, M8W 3R9, Téléphone: 1-800-263-6376 lundi-vendredi, 8 h - 19 h HNE.







# HOOVER PRODUCT REGISTRATION CARD

PLEASE FILL OUT AND RETURN WITHIN THE NEXT 10 DAYS - or - REGISTER ON OUR WEBSITE AT: <http://www.prodregister.com/hover>

Proper registration will serve as proof of purchase in the event your original receipt is misplaced or lost and may expedite the processing of your warranty claims. It also will serve as proof of purchase in the event of theft or loss. The additional questions will help us to develop products to meet your cleaning needs in years to come. Thank you for choosing Hoover!

L'enregistrement sert de preuve d'achat au cas où la facture originale serait égarée ou perdue; l'enregistrement peut également accélérer le traitement d'une réclamation dans le cadre de la garantie. Il sert aussi de preuve d'achat en cas de vol ou de perte. Les questions additionnelles nous aideront à mettre au point, dans le futur, de nouveaux produits pour vos besoins en nettoyage. Nous vous remercions d'avoir choisi Hoover!

En caso de pérdida del recibo original, su registro completo servirá como prueba de compra, y puede agilizar el proceso de reclamo de su garantía. También servirá como prueba de compra en el caso de robo o pérdida. Las preguntas adicionales nos ayudarán a desarrollar productos para satisfacer sus necesidades de limpieza en el futuro. Gracias por seleccionar Hoover!

**1.** 1.  Mr. 2.  Mrs. 3.  Ms. 4.  Miss Y3R01-01

First Name/Prénom/Nombre Initial Last Name/Nom de famille/Apellido

Street/Rue/Calle Apt. No./App./No. de apto

City/Ville/Ciudad State/Province/Estado ZIP/Postal code/Code postal/Código postal

**2.** E-mail Address:

**3.** Your date of birth: \_\_\_\_\_  
Month/Mois/Mes Year/Année/Año

**4.** Marital status: 1.  Married 2.  Single

**5.** Date of purchase: \_\_\_\_\_  
Month/Mois/Mes Day/Jour/Dia Year/Année/Año

**6.** Model number/Numéro de modèle/  
Número de modelo: \_\_\_\_\_

**7.** Serial number (Ser. No.)/  
Numéro de serie/Número de serie:  
(on label on the back or bottom of your product)  
(sur l'étiquette au dos du produit ou sous le produit)  
(En una etiqueta la parte de atrás o debajo de su producto)

**8.** Price paid (please do not include sales tax) \$ \_\_\_\_\_ .00  
Prix payé (à l'exclusion des taxes) / Precio pagado: \_\_\_\_\_ .00



LES QUESTIONS SUIVANTES SONT FACULTATIVES  
LAS SIGUIENTES PREGUNTAS SON OPCIONALES

**9.** For the following statement, please indicate whether you agree or disagree that the statement describes your approach to shopping for home cleaning appliances.

A) I am willing to give up some quality for a lower price.  
1.  Agree 2.  Disagree

**10.** For each of the following pairs, please check the one statement that most closely describes you and your approach to cleaning your home. (check only one)

1.  I have begun to take house cleaning a little less seriously in recent years, OR  
2.  I keep up with maintaining a clean and organized home no matter what. (check only one)

3.  I have a cleaning schedule that I insist on sticking to, OR  
4.  I do not have any specific routine for cleaning my house. (check only one)

5.  I like the sense of satisfaction I get when my home is clean and organized, OR  
6.  I don't really give much thought to how clean and organized my home looks.

**11.** Which of these statements best describes the way you think and feel about cleaning your home? (check only one)

1.  Keeping a clean home is important to me and I am proud of the result. I tend to buy moderate and higher priced products and believe quality is more important than price when buying cleaning tools for my home.

2.  I tend to have a systematic approach to cleaning my home. I give significant consideration to price when buying cleaning tools for my home.

3.  I tend to be a bit ambivalent about cleaning my house as I neither like nor hate cleaning. I prefer stylish, easy-to-use cleaning tools for my home and am willing to pay a little more to get these features.

**12.** Not including yourself, what is the GENDER and AGE (in years) of children and other adults living in your household?

Male		Female		Age	
1. <input type="checkbox"/>	2. <input type="checkbox"/>	1. <input type="checkbox"/>	2. <input type="checkbox"/>	1. <input type="checkbox"/>	2. <input type="checkbox"/>
				yrs.	
1. <input type="checkbox"/>	2. <input type="checkbox"/>	1. <input type="checkbox"/>	2. <input type="checkbox"/>	1. <input type="checkbox"/>	2. <input type="checkbox"/>
				yrs.	

**13.** Occupation: (check all that apply)

You	Spouse
Professional/Technical..... <input type="checkbox"/>	1. <input type="checkbox"/>
Upper Management/Executive..... <input type="checkbox"/>	2. <input type="checkbox"/>
Middle Management..... <input type="checkbox"/>	3. <input type="checkbox"/>
Sales/Marketing..... <input type="checkbox"/>	4. <input type="checkbox"/>
Clerical/Service Worker..... <input type="checkbox"/>	5. <input type="checkbox"/>
Tradesman/Machine Operator/Laborer..... <input type="checkbox"/>	6. <input type="checkbox"/>

**14.** Are you or your spouse:

You	Spouse
A Homemaker?..... <input type="checkbox"/>	1. <input type="checkbox"/>
Retired?..... <input type="checkbox"/>	2. <input type="checkbox"/>
A Student?..... <input type="checkbox"/>	3. <input type="checkbox"/>
Self Employed/Business Owner?..... <input type="checkbox"/>	4. <input type="checkbox"/>
Working from a Home Office?..... <input type="checkbox"/>	5. <input type="checkbox"/>
In the Military?..... <input type="checkbox"/>	6. <input type="checkbox"/>
A Veteran?..... <input type="checkbox"/>	7. <input type="checkbox"/>

**15.** Which group describes your annual family income?

01. <input type="checkbox"/> Under \$15,000	08. <input type="checkbox"/> \$75,000-\$99,999
02. <input type="checkbox"/> \$15,000-\$19,999	09. <input type="checkbox"/> \$100,000-\$124,999
03. <input type="checkbox"/> \$20,000-\$29,999	10. <input type="checkbox"/> \$125,000-\$149,999
04. <input type="checkbox"/> \$30,000-\$39,999	11. <input type="checkbox"/> \$150,000-\$174,999
05. <input type="checkbox"/> \$40,000-\$49,999	12. <input type="checkbox"/> \$175,000-\$199,999
06. <input type="checkbox"/> \$50,000-\$59,999	13. <input type="checkbox"/> \$200,000-\$249,999
07. <input type="checkbox"/> \$60,000-\$74,999	14. <input type="checkbox"/> \$250,000 & over

**16.** Level of education: (check highest level completed)

1.  Completed High School  
2.  Completed College  
3.  Completed Graduate School

**17.** Which credit cards do you use regularly?

1.  American Express, Diners Club  
2.  Mastercard, Visa, Discover  
3.  Department Store, Oil Company, etc.  
4.  Do not use credit cards

**18.** For your primary residence, do you: 1.  Own? 2.  Rent?

**19.** How recently did you move into your current residence?

1.  Within 30 days 4.  7 to 12 months ago  
2.  Within 1 - 3 months 5.  Have not moved in the last 12 months  
3.  Within 4 - 6 months

**20.** Which of the following do you plan to do within the next 6 or 12 months?

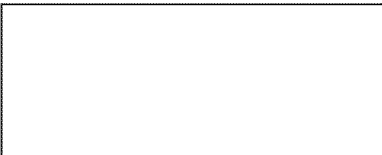
	1-6 Months	7-12 Months
Buy/Lease a New Vehicle..... <input type="checkbox"/>	1. <input type="checkbox"/>	<input type="checkbox"/>
Buy/Lease a Used Vehicle..... <input type="checkbox"/>	2. <input type="checkbox"/>	<input type="checkbox"/>

**21.** Please check all that apply to your household.

01.  Shop by Catalog/Mail  
02.  Shop via the Internet  
03.  Member of a Frequent Flyer Program  
04.  Donate to Charitable Causes  
05.  Own a Compact Disc Player  
06.  Have a Dog  
07.  Have a Cat  
08.  Own a Wireless/Cellular Phone  
09.  Subscribe to an Online/Internet Service  
10.  Speak Spanish  
11.  Own an Apple/Macintosh Computer  
12.  Own a CD-ROM Drive



**RETURN THIS CARD NOW FOR:**



**• Warranty Confirmation**

With the information you provide we can confirm the date of purchase of your product. This confirmation is of benefit to you, especially if your original proof of purchase is lost.

**• Proof of Ownership**

Your model number, serial number, and other information will be kept in our files for up to ten years.

**• \$100,000 Give Away V**

We'll automatically enter you for a chance to win \$5,000, \$25,000, or even \$50,000!

**OFFICIAL SWEEPSTAKES RULES: NO PURCHASE NECESSARY TO WIN.** Sweepstakes is sponsored by a number of different companies, will be offered in a number of different presentations, and will award the following prizes: one 1st Prize of \$50,000; one 2nd Prize of \$25,000; and five 3rd Prizes of \$5,000. Sweepstakes begins May 19, 2003, and ends December 31, 2005. Entry by completing this product registration or a 3" x 5" card with your name, address, city, state, ZIP Code, and the words "\$100,000 Give Away V" and mail to P.O. Box 173245, Dept. Y3R, Denver, CO 80217-3245. Entries must be received no later than December 31, 2005, and are limited to one per household. Mechanically reproduced entries not acceptable. Not responsible for late, lost or illegible entries. A random drawing held in January 2006, will select the winners from all entries collectively received by the sponsoring companies. Odds of winning depend on the number of eligible entries received from all sponsors' presentations. Open to U.S. residents at least 18 years old, except employees and their families of the sweepstakes judge, all of the sponsoring companies, and their respective subsidiaries. Each winner must submit a signed and notarized affidavit of eligibility within a specified time after being notified of their prospective winner status, and if a satisfactory affidavit is not received within the stated time, a new winner will be selected. By submitting an entry, winner agrees to the use of their name, address, and photograph for advertising/publicity purposes without compensation. All entries become the property of the sweepstakes judge. No transfer or substitution of prize is allowed. Winner is solely responsible for all taxes. All federal, state and local laws apply. Offer void in Florida and where prohibited by law. For notice of sweepstakes winners, send a self-addressed, stamped envelope to: "\$100,000 Give Away V", P.O. Box 173133, Denver, CO 80217-3133.

01.  Bicycling
02.  Golf
03.  Physical Fitness/Exercise
04.  Running/Jogging
05.  Snow Skiing
06.  Tennis
07.  Camping/Hiking
08.  Fishing
09.  Hunting/Shooting
10.  Powerboating
11.  Sailing
12.  Grandchildren
13.  Needlework/Knitting
14.  Sewing
15.  Flower Gardening
16.  Vegetable Gardening
17.  Crafts
18.  Buy Prerecorded Videos
19.  Automotive Work
20.  Electronics
21.  Home Workshop/Do-It-Yourself
22.  Recreation Vehicles (RV's)
23.  Listen to Records/Tapes/CDs
24.  Avid Book Reading
25.  Bible/Devotional Reading
26.  Health/Natural Foods
27.  Photography
28.  Cultural/Arts Events
29.  Fashion Clothing
30.  Art/Antique Collecting
31.  Foreign Travel
32.  Cruise Ship Vacations
33.  Travel in USA
34.  Gourmet Cooking/Fine Foods
35.  Wines
36.  Stamp/Coin Collecting
37.  Collectibles
38.  Our Nation's Heritage
39.  Real Estate Investments
40.  Stocks/Bond Investments
41.  Contests/Sweepstakes
42.  Casino Gambling
43.  Science Fiction
44.  Wildlife/Environmental Issues
45.  Dieting/Weight Control
46.  Science/New Technology
47.  Self-Improvement
48.  Walking for Health
49.  Watching Sports on TV
50.  Home Video Recording
51.  Moneymaking Opportunities

**22. To help us understand our customers' lifestyles, please indicate the interests and activities in which you or your spouse enjoy participating on a regular basis:**

**23. Using the numbers in the above list, please indicate your 3 most important activities:**

Thanks for taking the time to fill out this questionnaire. Your answers will be used for market research studies and reports. They will also allow you to receive important mailings and special offers from a number of fine companies whose products and services relate directly to the specific interests, hobbies, and other information indicated above. Through this selective program, you will be able to obtain more information about activities in which you are involved and less about those in which you are not. Please check here if, for some reason, you would prefer not to participate in this opportunity.

Failure to return this card will not diminish your warranty rights.

**If you have any comments or suggestions about our product, please write to:**  
 Consumer Response Center, Hoover, Inc. 7005 Cochran Road • Glenwillow, Ohio 44139  
 Call 1-800-263-6376 Mon-Fri 8am-7pm EST or visit us online at: [www.hoover.com](http://www.hoover.com)

Copyright © 2003 All rights reserved

*Fold here. Seal with tape (do not staple). Pliez ici. Veuillez cacheter (Ne pas agraffer). Doble aquí. Favor de sellar con cinta adhesiva. No usar grapas.*



DENVER CO 80217-3245

P O BOX 173245



Y3R01-01


**Please send other correspondence to:**  
 Consumer Response Center  
 Hoover, Inc.  
 7005 Cochran Road  
 Glenwillow, Ohio 44139

First-Class  
 Postage  
 Required  
 Post Office Will  
 not deliver  
 without proper  
 postage





HOOVER y  son marcas registradas

HOOVER et  sont des marques déposées

HOOVER and  are registered trademarks