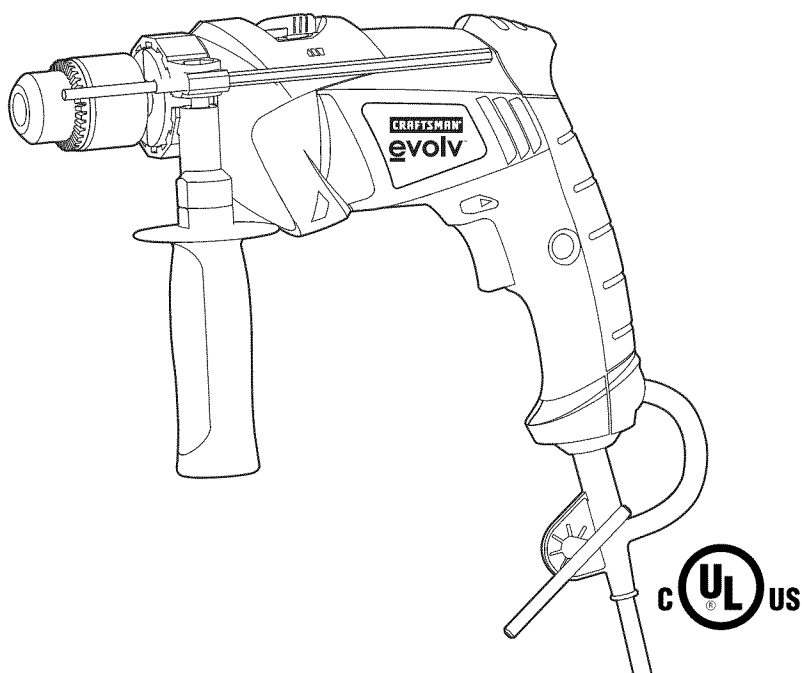


# Operator's Manual



## Hammer Drill

Model No. 320.17263



**⚠ WARNING:** To reduce the risk of injury, the user must read and understand the **Operator's Manual** before using this product.

- WARRANTY
- SAFETY
- ASSEMBLY
- DESCRIPTION
- OPERATION
- MAINTENANCE

Sears Brands Management Corporation

[www.craftsman.com](http://www.craftsman.com)

## TABLE OF CONTENTS

Warranty	Page 2
Safety Symbols	Page 3
Safety Instructions	Page 4-7
Unpacking	Page 8
Description	Page 9-10
Operation	Page 10-14
Maintenance	Page 15
Troubleshooting	Page 16
Parts List	Page 17-19
Sears Repair Parts Phone Number	Back Cover

### **CRAFTSMAN® EVOLV FULL WARRANTY**

If this Craftsman® Evolv product fails due to a defect in material or workmanship within one year from the date of purchase, return it to any Sears store or other Craftsman® Evolv outlet in the United States for free replacement.

This warranty is void if this product is ever used for commercial or rental purposes.

This warranty gives you specific legal rights, and you may also have other rights which vary from state to state.

Sears, Roebuck and Co., Hoffman Estates, IL 60179

**⚠ WARNING:** Some dust created by using power tools contains chemicals known to the state of California to cause cancer and birth defects or other reproductive harm.

**SAVE THESE INSTRUCCIONES!  
READ ALL INSTRUCTIONS!**

## SAFETY SYMBOLS

The purpose of safety symbols is to attract your attention to possible dangers. The safety symbols and the explanations with them deserve your careful attention and understanding. The symbol warnings do not, by themselves, eliminate any danger. The instructions and warnings they give are no substitutes for proper accident prevention measures.

**⚠ WARNING:** Be sure to read and understand all safety instructions in this manual, including all safety alert symbols, such as “**DANGER,**” “**WARNING,**” and “**CAUTION,**” before using this keyless drill. Failure to following all instructions listed below may result in electric shock, fire and/or serious personal injury.

### SYMBOL MEANNING

**⚠ SAFETY ALERT SYMBOL:** Indicates **DANGER, WARNING, OR CAUTION.** May be used in conjunction with other symbols or pictographs.

**⚠ DANGER:** Failure to obey this safety warning will result in death or serious injury to yourself or to others. Always follow the safety precautions to reduce the risk of fire, electric shock, and personal injury.

**⚠ WARNING:** Failure to obey this safety warning can result in death or serious injury to yourself or to others. Always follow the safety precautions to reduce the risk of fire, electric shock, and personal injury.

**⚠ CAUTION:** Failure to obey this safety warning may result in death or serious injury to yourself or to others. Always follow the safety precautions to reduce the risk of fire, electric, shock and personal injury.

### DAMAGE PREVENTION AND INFORMATION MESSAGES

These inform user of important information and/or instructions that could lead to equipment or other property damage if not followed. Each message is preceded by the word “**NOTE**” as in the example below.

**NOTE:** Equipment and/or property damage may result if these instructions are not followed.



The operation of any power tool can result in foreign objects being thrown into your eyes, which can result in severe eye damage. Before beginning power tool operation, always wear safety goggles or safety glasses with side shields and a full-face shield when needed. We recommend a Wide Vision Safety Mask for use over eyeglasses or standard safety glasses with side shields, available at Sears Stores or other Craftsman outlets. Always use eye protection that is marked to comply with ANSI Z87.1

## SAFETY INSTRUCTIONS

**⚠ WARNING:** Be sure to read and understand all instructions in this manual before using the hammer drill. Failure to follow all instructions may result in hazardous radiation exposure, electric shock, fire, and/or serious personal injury.

**⚠ WARNING:** Do not attempt to operate this tool until you have thoroughly read all instructions, safety rules, and warnings. Failure to comply with them can result in fire, electric shock, or serious personal injury. Save the manual and refer to it frequently.

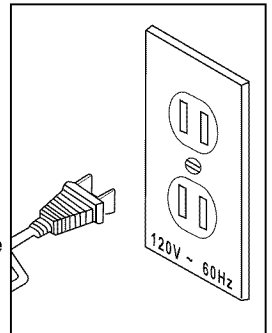
### GENERAL SAETY PRECAUTIONS

#### WORK AREA SAFETY

- **Keep work area clean and well lit.** Cluttered or dark areas invite accidents.
- **Do not operate power tools in explosive atmospheres, such as in the presence of flammable liquids, gases or dust.** Power tools create sparks which may ignite the dust or fumes.
- **Keep children and bystanders away while operating a power tool.** Distractions cause you to lose control.

#### ELECTRICAL SAFETY

- **Double insulated tools are equipped with a polarized plug (one blade is wider than the other.) This plug will fit in a polarized outlet only one way. If the plug does not fit fully in the outlet, reverse the plug. If it still does not fit, contact a qualified electrician to install a polarized outlet. Do not change the plug in any way.** Double insulation eliminates the need for the three wire grounded power cord and grounded power supply system.
- **Avoid body contact with grounded surfaces such as pipes, radiators, ranges and refrigerators.** There is an increased risk of electric shock if your body is grounded.
- **Don't expose power tools to rain or wet conditions.** Water entering a power tool will increase the risk of electric shock.
- **Do not abuse the cord. Never use the cord to carry the tools or pull the plug from an outlet. Keep cord away from heat, oil, sharp edges or moving parts. Replace damaged cords immediately.** Damaged cords increase the risk of electric shock.
- **When operating a power tool outside, use an outdoor extension cord marked "W-A" or "W".** These cords are rated for outdoor use and reduce the risk of electric shock. The following table shows the correct size to use, depending on cord length and nameplate amperage rating of the tool. When in doubt, use the next heavier gauge. Always use UL and CSA listed



extension cords.

### Recommended sizes of extension cords

Ampere Rating		Volts	Total Length of Cord in feet			
		120v	25ft	50ft	100ft	150ft
More Than	Not More Than	AWG				
0	6		18	16	16	14
6	10		18	16	14	12
10	12		16	16	14	12
12	16		14	12	Not Recommended	

### PERSONAL SAFETY

- **Stay alert, watch what you are doing and use common sense when operating a power tool. Do not use tool while tired or under the influence of drugs, alcohol, or medication.** A moment of inattention while operating power tools may result in serious personal injury.
- **Dress properly. Do not wear loose clothing or jewelry. Contain long hair. Keep your hair, clothing, and gloves away from moving parts.** Loose clothes, jewelry, or long hair can be caught in moving parts.
- **Avoid accidental starting. Be sure switch is off before plugging in.** Carrying tools with your finger on the switch or plugging in tools that have the switch on invites accidents.
- **Remove adjusting keys or wrenches before turning the tool on.** A wrench or a key that is left attached to a rotating part of the tool may result in personal injury.
- **Do not overreach. Keep proper footing and balance at all times.** Proper footing and balance enables better control of the tool in unexpected situations.
- **Use safety equipment. Always wear eye protection.** Dust mask, non-skid safety shoes, hard hat, or hearing protection must be used for appropriate conditions.
- **Before connecting the tool to a power source (receptacle, outlet, etc.), be sure voltage supplied is the same as that specified on the nameplate of the tool.** A power source with voltage greater than that specified for the tool can result in serious injury to the user – as well as damage to the tool.

### TOOL USE AND CARE

- **Use clamps or other practical way to secure and support the workpiece to a stable platform.** Holding the work by hand or against your body is unstable and may lead to loss of control.
- **Do not force tool. Use the correct tool for your application.** The correct

tool will do the job better and more safely at the rate for which is designed.


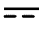
- **Do not use tool if the switch does not turn it on or off.** Any tool that cannot be controlled with the switch is dangerous and must be repaired.
- **Disconnect the plug from the power source before making any adjustments, changing accessories, or storing the tool.** Such preventive safety measures reduce the risk of starting the tool accidentally.
- **Store idle tools out of reach of children and other untrained persons.** Tools are dangerous in the hands of untrained users.
- **Maintain tools with care. Keep cutting tools sharp and clean.** Properly maintained tools, with sharp cutting edges are less likely to bind and are easier to control.
- **Check for misalignment or binding of moving parts, breakage of parts, and any other condition that may affect the tools operation. If damaged, have the tool serviced before using.** Many accidents are caused by poorly maintained tools.
- **Use only accessories that are recommended by the manufacturer for your model.** Accessories that may be suitable for one tool, may become hazardous when used on another tool.
- **Do not alter or misuse tool.** These tools are precision built. Any alteration or modification not specified is misuse and may result in a dangerous condition.


## SERVICE

- **Tool service must be performed only by qualified repair personnel.** Service or maintenance performed by unqualified personnel could result in a risk of injury.
- **When servicing a tool, use only identical replacement parts. Follow instructions in the Maintenance section of this manual.** Use of unauthorized parts or failure to follow Maintenance instructions may create a risk of shock or injury.


## SAFETY SYMBOLS FOR YOUR TOOL

The label on your tool may include the following symbols.

- V..... Volts
- A..... Amps
- Hz..... Hertz
- W..... Watts
- min..... Minutes
- ..... Alternating Current
- ..... Direct Current
- $n_o$  ..... No-load Speed

.....Class II construction


.../min.....Revolutions or Strokes per minute

.....Indicates danger, warning caution.  
It means attention! Your safety is involved.

## SPECIFIC SAFETY RULES FOR HAMMER DRILL

- **Hold the tool by its insulated gripping surfaces** when performing an operation where the cutting tool may contact hidden wiring. Contact with a “live” wire will make exposed metal parts of the tool “live” and shock the operator.
- **Never leave the trigger locked “ON”**, before plugging the tool in, check that the trigger lock is “OFF”.
- **Do not use the “Lock-ON” feature** in situations where drill bit binding is likely.
- **Position the cord clear of rotating bit.**
- **The hammer drill bit may be very hot.** Do not touch the drill bit immediately after drilling or hammering. The hot bit can cause a severe burn.
- **Secure the material being drilled.** When drilling sheet metal, use a vice and a block of wood placed under the material. Never hold the metal in your hand, across your hand, or across your legs. Rotating sheet metal can cause serious injury.
- **Never leave keys and adjusting wrenches on the tool** before turning the tool on.
- **Do not** use dull or damaged bits and accessories.
- **When installing a drill bit**, insert the shank of the bit well within the jaws of the chuck.
- **If the tool is stalled**, release the trigger immediately, reverse the direction of rotation, and slowly squeeze trigger to back out the bit.
- **Do not operate the power unit with a damaged cord or plug.** If damaged, the plug should be replaced immediately.
- **Do not operate power unit if it has received a sharp blow**, been dropped, or otherwise damaged in any way; take it to a qualified service person.
- **Disconnect the power unit from power supply** when it is not in use. Following this rule will reduce the risk of electric shock, fire, or serious personal injury.

 **WARNING:** To reduce the risk of injury, user must read instruction manual.

 **WARNING:** Do not force the power tool. In heavy-duty applications, excessive force can cause the power tool to overheat.

## UNPACKING

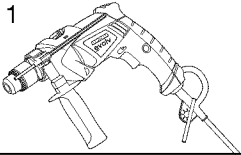
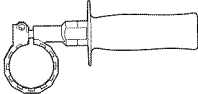


**⚠ WARNING:** Your hammer drill should never be connected to the power source when you are assembling parts, making adjustments, installing or removing bits, cleaning it or when it is not in use. Disconnecting the hammer drill will prevent accidental starting, which could cause serious personal injury.

When unpacking the box, do not discard any packing materials until all of the contents are accounted for:

1. Carefully lift the drill out of the carton and place it on a stable, flat surface.
2. Open the color box to locate the following:
  - 1 Hammer drill
  - Auxiliary handle
  - Depth gauge
  - Chuck key
  - Case
  - Operator's manual
3. Inspect the items carefully to make sure that no breakage or damage has occurred during shipping. If any of the items mentioned is missing, (refer to "PARTS LIST" illustration), return the drill to your nearest Sears store or Craftsman outlet to have the drill replaced. Carefully remove the tool and any accessories from the box. Make sure that all items listed in the packing list are included.

**⚠ WARNING:** If any part is broken or missing, do not attempt to assemble the hammer drill, plug in the power cord, or operate the hammer drill until the broken or missing part has been replaced. Failure to do so could result in possible serious injury.

### CARTON CONTENTS/LOOSE PARTS (Fig. 1)

 <p>Fig. 1</p>	Hammer Drill (Chuck key included)	1
	Auxiliary handle	1
	Depth gauge	1
	Case	1

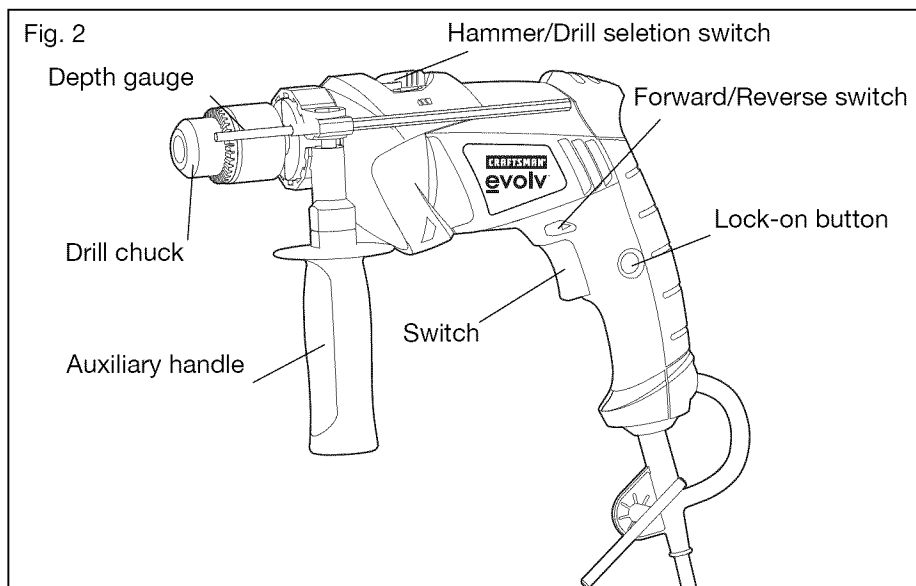


## DESCRIPTION

### KNOW YOUR HAMMER DRILL (Fig. 1)

Before attempting to use this hammer drill, familiarize yourself with all its operating features and safety requirements.

**⚠ WARNING:** Do not allow familiarity with your hammer drill to make you careless. Remember that a careless fraction of a second is sufficient to inflict severe injury.



### PRODUCT SPECIFICATIONS

Motor	120V~60Hz, 6A
No Load Speed	0-2600 (RPM)
Hammer	0-46800 (BPM)
Keyed Chuck	1/2"
Maximum hammering capacity	1/2" in steel
	3/4" in concrete
	1-1/4" spade bit in soft wood
	7/8" spade bit in hard wood
	2" hole saw in soft wood
	1" hole saw in hard wood
Weight	4.4lbs (2kgs)

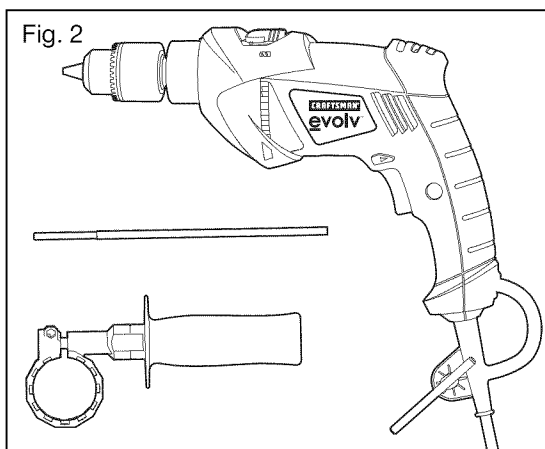
**⚠ WARNING:** The safe use of this product requires an understanding of the information on the tool and in this operator's manual, as well as knowledge of the project you are attempting. Before use of this product, familiarize yourself with all operating features and safety rules.

## OPERATION

### ASSEMBLY AND ADJUSTMENTS (Fig.2)

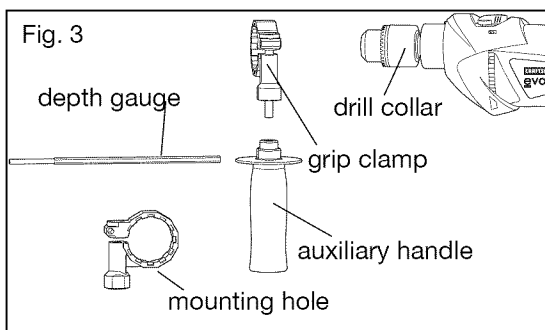
**⚠ WARNING:** Remove the hammer drill from the carton and examine it carefully. Do not discard the carton or any packaging material until all parts are examined.

**⚠ WARNING:** Before plugging your hammer drill into the power supply, always check to make sure it is not in the "Lock-on" position (depress and release the trigger switch). Failure to do so could result in accidental starting of your hammer drill, resulting in possibly serious injury. Do not lock the trigger on jobs where your hammer drill may need to be stopped suddenly.



### INSTALLING THE AUXILIARY HANDLE AND DEPTH GAUGE

1. Slide the depth gauge into the mounting hole located on the grip clamp.
2. Slide the grip clamp and the auxiliary handle onto the hammer drill collar and secure it by turning the handle unit it is tight.
3. The handle can be rotated 180° so that the depth gauge can be used on either side of the hammer drill housing.



**⚠ WARNING:** The handle must be held firmly while the hammer drill is in use. Do not hold the front metal housing while using the hammer drill.

### ON/OFF TRIGGER SWITCH (Fig.4)

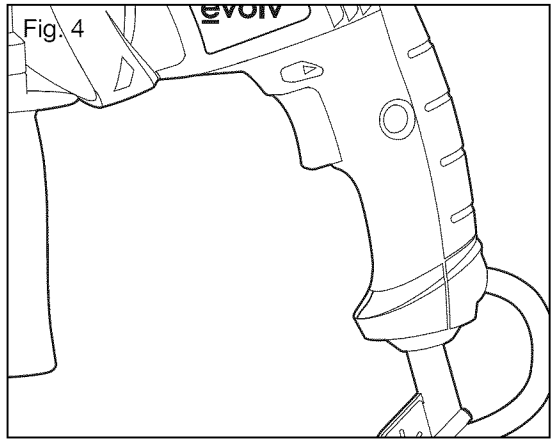
Turn your hammer drill on by pressing the trigger switch; release the switch to it

turn OFF.

### **LOCK-ON BUTTON (Fig.4)**

1. To lock the switch ON for continuous operation, depress the switch and push in the “lock-on” button, then release the switch.
2. To stop the hammer drill when in the “lock-on” position, depress and release the switch.

**Note:** If you have the “lock-on” feature engaged during use and your hammer drill becomes disconnected from the power supply, immediately disengage the “lock-on” feature.



### **FORWARD/REVERSE SWITCH (Fig.4)**

The forward/reverse switch is used to change the rotational direction of the chuck.

Push the switch to the “L” position for normal drilling (clockwise direction).

Push the switch to the “R” position for counter-clockwise direction.

### **VARIABLE SPEED TRIGGER SWITCH (Fig.4)**

Your hammer drill’s speed is controlled by depressing the trigger switch. The more you depress the switch, the faster the hammer drill will turn.

High Speed Range– drilling in wood, aluminum, brass and copper.

Medium Speed Range– drilling in steel, plastic and laminates.

Low Speed Range– starting holes and driving screws.

### **CHUCK KEY**

1. Use the chuck key to install or remove the drill bits or other drill-type accessories from the chuck.
2. Attach the chuck key to the flexible chuck key holder located on the power cord.

### **RUBBER HANG-LOOP**

While not in use, hang or carry the hammer drill by the rubber hang-loop.

### **HAMMER/DRILL SELECTION SWITCH (Fig.5)**

The hammer/drill selection switch is used to set the hammer drill to rotation only

or rotation with hammering action.

1. For rotation only, push the switch to the side of the hammer drill with the mark.

2. For rotation with hammering action, push the switch to the side with the mark.

### DEPTH GAUGE (Fig.6)

1. The adjustable depth gauge is used to control the depth of drilled holes.

2. Install the depth gauge as shown in the Assembly section.

3. Loosen the auxiliary handle to facilitate the adjustment of the depth gauge.

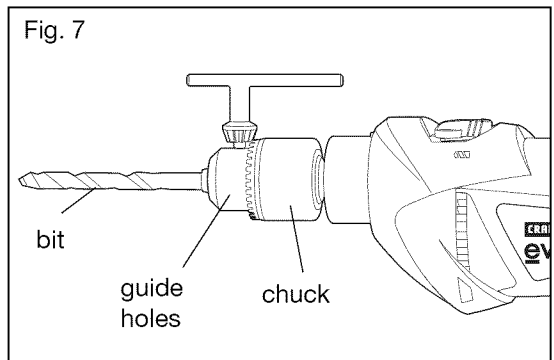
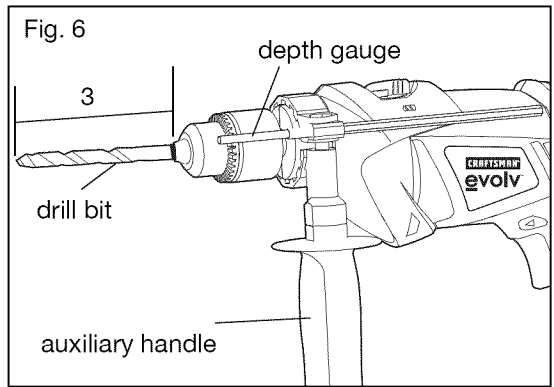
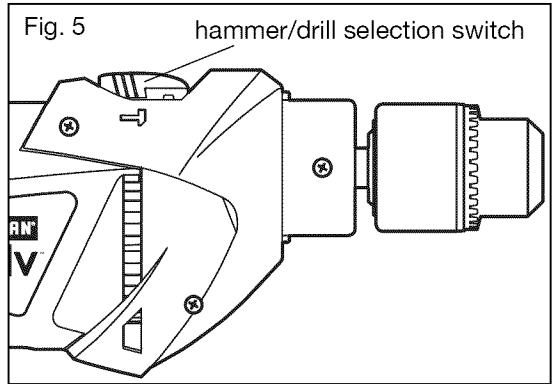
4. Adjust the depth gauge so the drill bit extends beyond the depth gauge end to the desired drilling depth.

**⚠ WARNING:** Failure to unplug the hammer drill when changing bits or accessories could result in accidental starting and cause serious injury.

### INSTALLING AND REMOVING THE DRILL BIT (FIG. 7)

#### To install

1. Unplug the hammer drill.
2. Insert the bit by placing it into the chuck as far as it will go.
3. Hand-tighten the chuck by successively inserting the chuck key into one of the three guide holes and turning it clockwise until all jaws are tighten against the bit.
4. Remove the chuck key.



## To remove

1. Unplug the hammer drill.
2. Insert the chuck key into a guide hole and turn it counter-clockwise. When loose, remove the bit.
3. Remove the chuck key.

## HAMMER DRILLING

When drilling in concrete, granite, tile, marble, etc. use the hammer action by pressing the button on the marked side.

1. Be sure to use a tungsten carbide-tipped bit. When the hole becomes clogged with chips, do not apply more pressure. Allow the tool to idle and partially remove the bit from the hole.
2. Repeat this action until the hole is cleaned out.

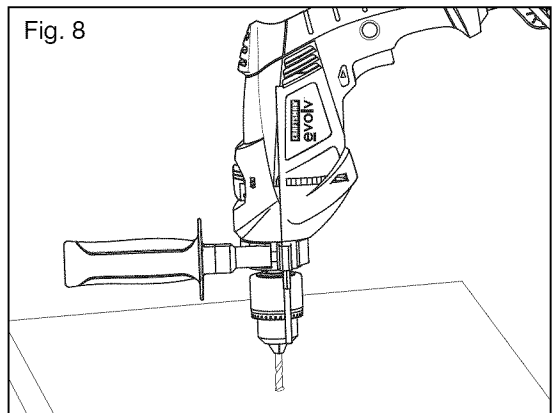
## METAL DRILLING

1. Use a center punch to mark the hole location on the workpiece.
2. Begin by drilling at a low speed to prevent the bit from slipping.
3. Use a light oil on the bit to keep it from overheating.
4. Maintain a consistent speed and pressure on the drill until the hole is completed.

**⚠ WARNING:** Be prepared for binding or breakthrough. When these situations occur, the hammer drill has a tendency to grab and kick in the opposite direction and could cause loss of control when breaking through material. This loss of control can result in possible serious injury. Do not lock the trigger on jobs where your hammer drill may need to be stopped suddenly.

## DRILLING IN WOOD OR PLASTIC (Fig. 8)

1. Set the forward/reverse switch for the desired rotation direction.
2. Secure the workpiece to keep it from turning when drilling. Place a piece of scrap wood behind the workpiece that will be drilled-through to prevent splintering.
3. Push the hammer/drill selection switch to set the drilling action mode.
4. Push the switch to start the hammer drill.



## **MASONRY DRILLING (Fig.8)**

1. Set the forward/reverse switch for the desired rotation direction.
2. Secure workpiece to keep it from turning when drilling.
3. Push the hammer/drill selection switch to set the action mode.
4. Push the switch to start the hammer drill.
5. Apply pressure to the hammer drill handles to keep the bit cutting.
6. Use tungsten carbide-tipped bits for drilling concrete, ceramic tile, brick, etc.

## MAINTENANCE

**⚠ WARNING:** To ensure safety and reliability, all repairs should be performed by a qualified service technician at a Sears Service Center.

**⚠ WARNING:** For your safety, always turn off the switch and disconnect the plug from the electrical outlet before performing any maintenance or cleaning.

Periodic maintenance of your drill allows for long life and trouble free operation. A cleaning, lubrication, and maintenance schedule should be maintained.

As a common-sense and preventive maintenance practice, follow these recommended steps:

- Inspect the bit; check the rim for wear or damage.
- Use a soft clean and damp cloth to wipe the tool housing. A mild detergent can be used but nothing like alcohol, gasoline or other cleaning agents. Never use caustic agents to clean plastic parts.
- Keep the ventilation slots of the motor clean to prevent overheating of the motor. Electric tools are subject to accelerated wear and possible premature failure when they are used to work on fiberglass boats and sports cars, wallboard, spackling compounds or plaster. The chips and grindings from these materials are highly abrasive to electrical tool parts, such as bearings, brushes, commutators, etc. Consequently, it is not recommended that this tool be used for extended work on any fiberglass material, wallboard, spackling compound, or plaster. During any use on these materials, it is extremely important that the tool is cleaned frequently by blowing with an air jet.

**⚠ WARNING:** Always wear safety goggles or safety glasses with side shields during power tool operations or when blowing dust. If operation is dusty, also wear a dust mask.

**⚠ WARNING:** Keep the tool's air vents unclogged and clean at all times.

**⚠ WARNING:** Avoid using solvents when cleaning plastic parts. Most plastics are susceptible to damage from various types of commercial solvents and may be damaged by their use. Use clean cloths to remove dirt, dust, oil, grease, etc.

**⚠ WARNING:** Do not at any time let brake fluids, gasoline, petroleum-based products, penetrating oils, etc. to come in contact with plastic parts. Chemicals can damage, weaken or destroy plastic which may result in serious personal injury.

**⚠ WARNING:** Water must never come into the tool.

## TROUBLE SHOOTING

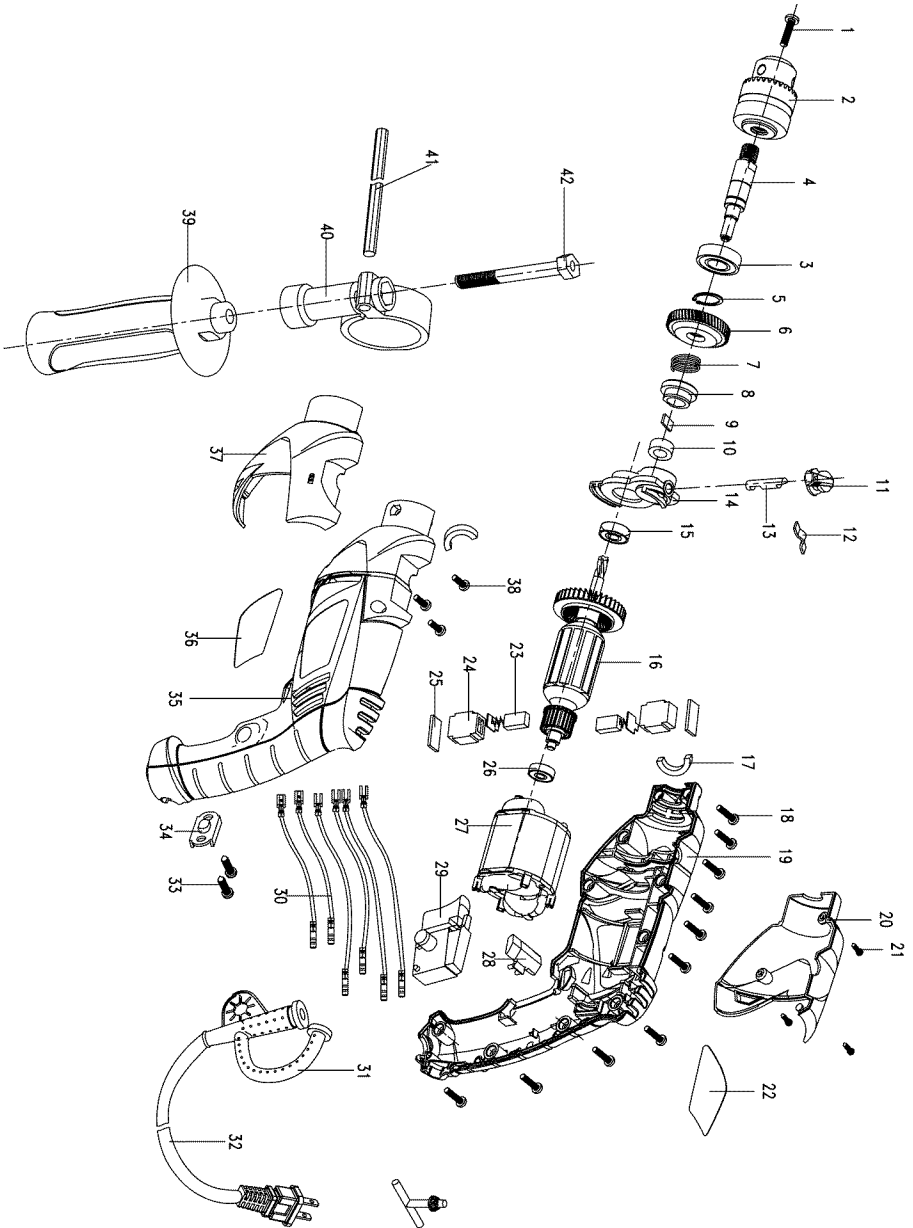
<b>PROBLEM</b>	<b>CAUSE</b>	<b>SOLUTION</b>
The hammer drill does not start when trigger switch is squeezed	Check to be sure power cord is connected to power source and that power source (outlet) is operable	Connect to power source. Confirm power source (outlet) is operable
Will not drill	Check drill bit and chuck jaws	Replace drill bit if dull or worn; tighten chuck jaws to firmly secure drill bit
Bit cannot be installed	Sleeve is not released	Release the sleeve
Motor overheating	Be sure cooling vents are free from dust and obstacles	Clean, clear vents. Do not cover with hand during operation



# PARTS LIST

Hammer Drill MODEL NUMBER 320.17263

Always mention the Model Number when ordering parts for this tool



## PARTS LIST

No	Part No	Part Name	QTY
1	5620138000	Screw (L.H.)	1
2	3860005000	Chuck	1
3	5700018000	Ball Bearing	1
4	3550100000	Spindle	1
5	5660018000	Circlips For Shaft	1
6	3520016000	Gear	1
7	3660331000	Spring	1
8	3520017000	Impact Gear	1
9	3700086000	Scaleboard	1
10	5700027000	Needle Bearing	1
11	3120269000	Knob	1
12	3700088000	Reed	1
13	3550101000	Lever Pin	1
14	3420062000	Bearing Support	1
15	5700008000	Ball Bearing	1
16	2750131000	Rotor	1
17	3700517000	Felt Ring	2
18	5610042000	Tapping Screw	10
19	3320049000	Right Housing	1
20	3420064000	Right Alum Cover	1
21	5610010000	Tapping Screw	3
22	2240134000	NamePlate	1
23	4960005000	Carbon Brush	2
24	2800016000	Brush Holder	2
25	3700491000	Flash Board	2
26	5700004000	Ball Bearing	1
27	2740104000	Stator	1
28	3120245000	F/R Button	1
29	4870024000	Switch	1

No	Part No	Part Name	QTY
30	2820725000	Internal Wire ASSY 1-6	1
	2820717000		1
	2820718000		1
	2820719000		1
	2820721000		1
	2820723000		1
31	3121008000	Cord Guard	1
32	4810002000	Power Cord & Plug	1
33	5610023000	Tapping Screw	2
34	3700285000	Cord Anchorage	1
35	3320048000	Left Housing	1
36	2240139000	Name Plate	1
37	3420063000	Left Alum Cover	1
38	5620037000	Screw	3
39	3120263000	Auxiliary Handle	1
40	3121143000	Handle Hoop	1
41	3550098000	Depth Stop	1
42	5640015000	Hexagon Head Bolt	1

# Get it fixed, at your home or ours!

## Your Home

For expert troubleshooting and home solutions advice:

**manage my home**

[www.managemyhome.com](http://www.managemyhome.com)

For repair – **in your home** – of **all** major brand appliances, lawn and garden equipment, or heating and cooling systems, **no matter who made it, no matter who sold it!**

For the replacement parts, accessories and owner's manuals that you need to do-it-yourself.

For Sears professional installation of home appliances and items like garage door openers and water heaters.

**1-800-4-MY-HOME®**

(1-800-469-4663)

[www.sears.com](http://www.sears.com)

Call anytime, day or night

(U.S.A. and Canada)

[www.sears.ca](http://www.sears.ca)

## Our Home

For repair of carry-in items like vacuums, lawn equipment, and electronics, call anytime for the location of the nearest **Sears Parts & Repair Service Center**

**1-800-488-1222** (U.S.A.)

[www.sears.com](http://www.sears.com)

**1-800-469-4663** (Canada)

[www.sears.ca](http://www.sears.ca)

To purchase a protection agreement on a product serviced by Sears:

**1-800-827-6655** (U.S.A.)

**1-800-361-6665** (Canada)

Para pedir servicio de reparación a domicilio, y para ordenar piezas:

**1-888-SU-HOGAR®**

(1-888-784-6427)

Au Canada pour service en français:

**1-800-LE-FOYER<sup>MC</sup>**

(1-800-533-6937)

[www.sears.ca](http://www.sears.ca)

# Sears

© Sears Brands, LLC

® Registered Trademark / <sup>TM</sup> Trademark / <sup>SM</sup> Service Mark of Sears Brands, LLC

® Marca Registrada / <sup>TM</sup> Marca de Fábrica / <sup>SM</sup> Marca de Servicio de Sears Brands, LLC

<sup>MC</sup> Marque de commerce / <sup>MD</sup> Marque déposée de Sears Brands, LLC