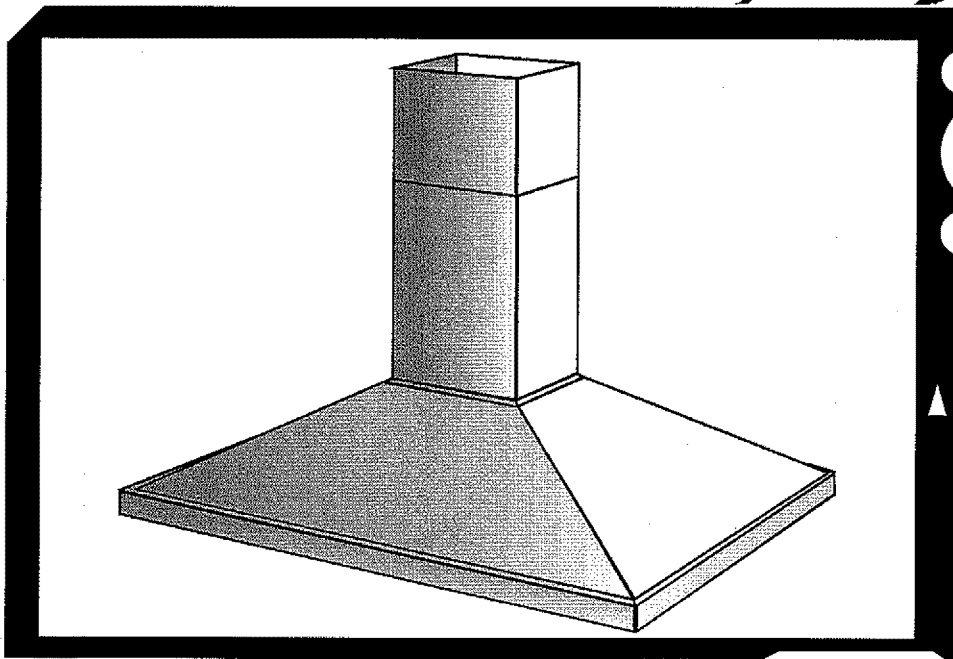


**best**<sup>®</sup>  
by **BROAN**<sup>®</sup>



# Model IS42

ENGLISH.....	2
FRANÇAIS.....	11
ESPAÑOL.....	20

BEST BY BROAN P.O. Box 140 Hartford, WI 53027

# READ AND SAVE THESE INSTRUCTIONS

**⚠ INTENDED FOR DOMESTIC COOKING ONLY ⚠**

## **⚡ ⚠ WARNING**

**TO REDUCE THE RISK OF FIRE, ELECTRIC SHOCK, OR INJURY TO PERSONS, OBSERVE THE FOLLOWING:**

1. Use this unit only in the manner intended by the manufacturer. If you have questions, contact the manufacturer at the address or telephone number listed in the warranty.
2. Before servicing or cleaning unit, switch power off at service panel and lock service panel to prevent power from being switched on accidentally. When the service disconnecting means cannot be locked, securely fasten a prominent warning device, such as a tag, to the service panel.
3. Installation work and electrical wiring must be done by a qualified person(s) in accordance with all applicable codes and standards, including fire-rated construction codes and standards.
4. Sufficient air is needed for proper combustion and exhausting of gases through the flue (chimney) of fuel burning equipment to prevent backdrafting. Follow the heating equipment manufacturer's guidelines and safety standards such as those published by the National Fire Protection Association (NFPA), and the American Society for Heating, Refrigeration and Air Conditioning Engineers (ASHRAE), and the local code authorities.
5. When cutting or drilling into wall or ceiling, do not damage electrical wiring and other hidden utilities.
6. Ducted fans must always be vented to the outdoors.
7. Do not use this unit with any separate solid-state speed control device.
8. To reduce the risk of fire, use only metal ductwork.
9. This unit must be grounded.

**TO REDUCE THE RISK OF A RANGE TOP GREASE FIRE:**

- A. Never leave surface units unattended at high settings. Boilovers cause smoking and greasy spillovers that may ignite. Heat oils slowly on low or medium settings.
- B. Always turn hood ON when cooking at high heat or when cooking flaming foods. (i.e. Crepes Suzette, Cherries Jubilee, Peppercorn Beef Flambe').
- C. Clean ventilating fans frequently. Grease should not be allowed to accumulate on fan or filter.
- D. Use proper pan size. Always use cookware appropriate for the size of the surface element.

## **⚡ ⚠ WARNING**

**TO REDUCE THE RISK OF INJURY TO PERSONS IN THE EVENT OF A RANGE TOP GREASE FIRE, OBSERVE THE FOLLOWING:\***

1. **SMOTHER FLAMES** with a close-fitting lid, cookie sheet, or metal tray, then turn off the burner. **BE CAREFUL TO PREVENT BURNS.** If the flames do not go out immediately, **EVACUATE AND CALL THE FIRE DEPARTMENT.**
2. **NEVER PICK UP A FLAMING PAN** - You may be burned.
3. **DO NOT USE WATER**, including wet dishcloths or towels - violent steam explosion will result.
4. Use an extinguisher **ONLY** if:
  - A. You know you have a Class ABC extinguisher and you already know how to operate it.
  - B. The fire is small and contained in the area where it started.
  - C. The fire department is being called.
  - D. You can fight the fire with your back to an exit.

\* Based on "Kitchen Fire Safety Tips" published by NFPA.

## CAUTION

---

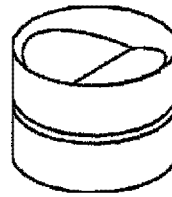
1. To reduce risk of fire and to properly exhaust air, be sure to duct air outside. Do not vent exhaust air into spaces within walls or ceilings or into attics, crawl spaces, or garages.
2. Take care when using cleaning agents or detergents.
3. Avoid using food products that produce flames under the Range Hood.
4. For general ventilating use only. Do not use to exhaust hazardous or explosive materials and vapors.
5. To avoid motor bearing damage and noisy and/or unbalanced impellers, keep drywall spray, construction dust, etc. off power unit.
6. Your hood motor has a thermal overload which will automatically shut off the motor if it becomes overheated. The motor will restart when it cools down. If the motor continues to shut off and restart, have the hood serviced.
7. For best capture of cooking impurities, the bottom of the hood should be a minimum of 24" and a maximum of 30" above the cooking surface.
8. #3 installers are recommended because of the large size and weight of this hood.
9. This product is equipped with a thermostat which may start blower automatically. To reduce the risk of injury and to prevent power from being switched on accidentally, switch power off at service panel and lock or tag service panel.
10. Use with approved cord-connection kit only.
11. Please read specification label on product for further information and requirements.

## PREPARE THE HOOD

Unpack hood and check contents.

You should receive:

- 1 - Hood
- 1 - Decorative Flue Assembly
- 1 - Support Frame
- 1 - Parts Bag (B080810004) containing:
  - 4 - Mounting Screws (6 x 70mm)
  - 8 - Washers  $\text{\O} 6.4\text{mm}$
  - 4 - Washers  $\text{\O} 4.5\text{mm}$
  - 13 - Mounting Screws (3.9 x 9.5mm Pan Head)
  - 4 - Nuts
- 1 - Duct Collar
- 1 - Installation Instructions
- 1 - Warranty Card



DUCT COLLAR



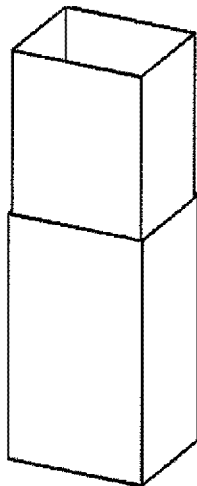
8 WASHERS  
 $\text{\O} 6.4\text{mm}$



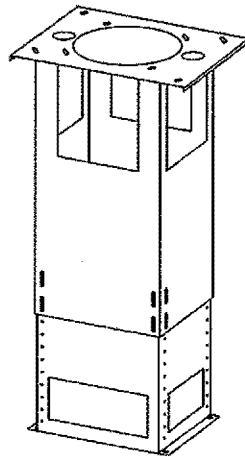
4 WASHERS  
 $\text{\O} 4.5\text{mm}$



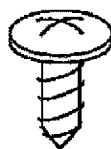
4 NUTS



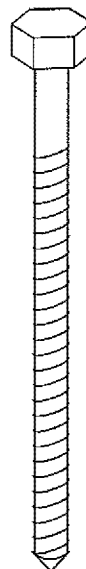
DECORATIVE  
FLUE



SUPPORT  
FRAME



13 MOUNTING  
SCREWS  
(3.9x9.5mm  
Pan Head)

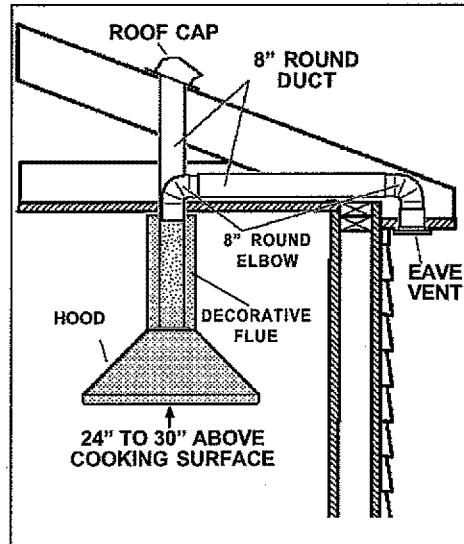


4 MOUNTING  
SCREWS (6x70mm)

## INSTALL THE DUCTWORK

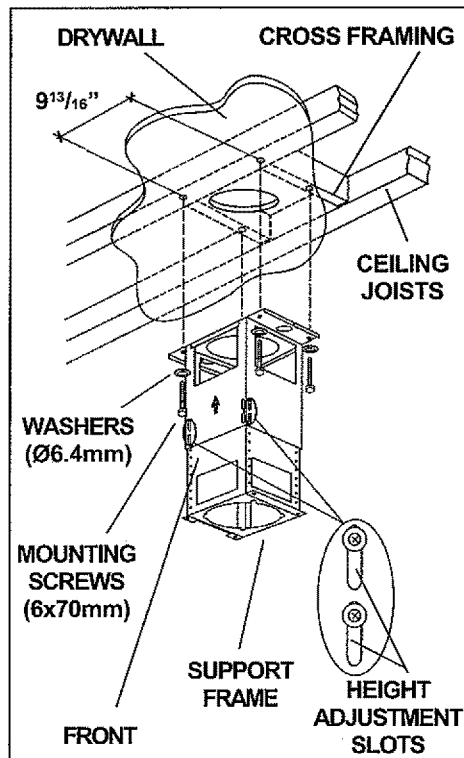
**NOTE:** To reduce the risk of fire, use only metal ductwork.

1. Decide where the ductwork will run between the hood and the outside.
2. A straight, short duct run will allow the hood to perform most efficiently.
3. Long duct runs, elbows, and transitions will reduce the performance of the hood. Use as few of them as possible.
4. Install a roof or wall cap. Connect 8" round metal ductwork to cap and work back towards hood location. Use duct tape to seal the joints between ductwork sections.

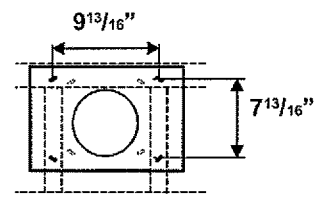


## INSTALL SUPPORT SYSTEM

1. At hood location, install 2 X 4 **cross framing** between **ceiling joists** using dimensions shown.
2. Finish the ceiling surface. Be sure to mark the location of the ceiling joists and cross framing.
3. Position **the support frame** as shown. The UP ARROW should point towards the ceiling after installation.
4. Secure the upper half of support frame to joists and cross framing with four screws provided (6x70mm) and four washers (D. 6.4mm). Make sure screws are driven into center of joists and framing for maximum strength.
5. Adjust the overall height of the support frame. Loosen and re-tighten the 4 screws in the **height adjustment slots** as necessary. Insert 4 screws (3.9x9.5mm) and 4 washers (D.4.5mm) located in the Hardware Package.



TOP VIEW OF SUPPORT FRAME

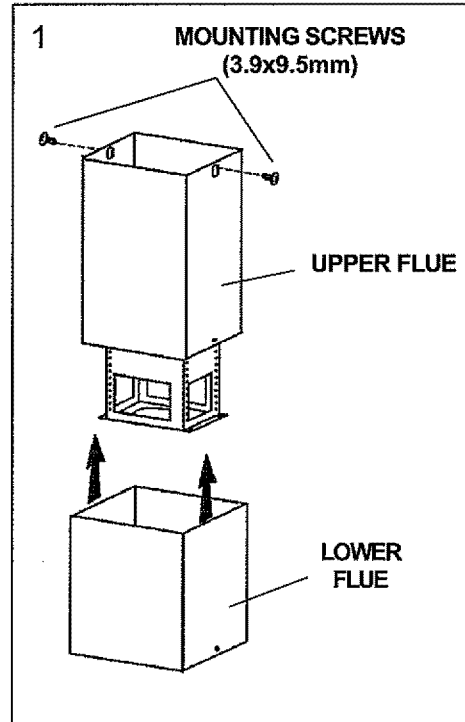
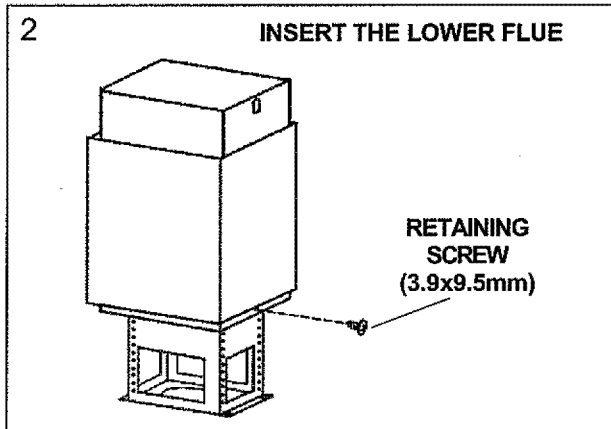


Note that the hood height is 11" and that:

- on 8' ceilings, the bottom of the hood must be 24" min. and 27" max. above the cooktop.
- on 9' ceilings, the bottom of the hood must be 28" min. and 30" max. above the cooktop.

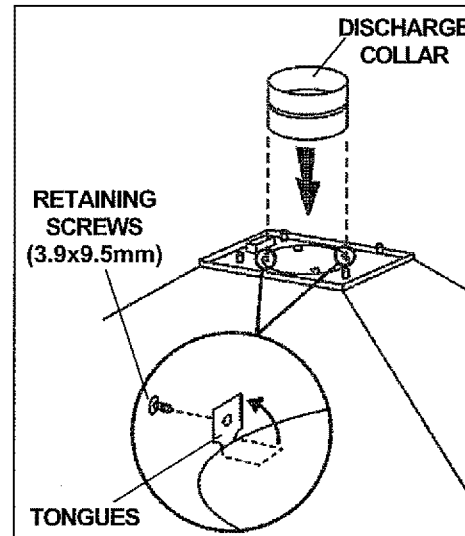
## CONNECT DECORATIVE FLUE

1. Secure the **upper flue** to the upper support frame with the mounting screws (3.9x9.5mm).
2. Insert the **lower flue** moving it completely towards the top and fix it temporarily with retaining screw (3.9x9.5mm).



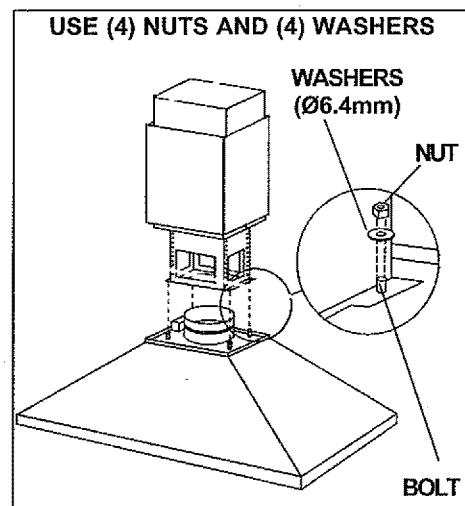
## INSTALL DUCT COLLAR

1. Fold the 2 tongues outwards.
2. Secure the discharge collar to the hood with (2) retaining screws (3.9x9.5mm).



## MOUNT HOOD TO SUPPORT FRAME

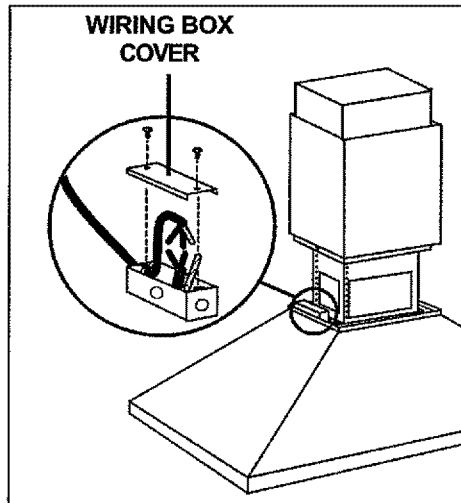
1. Insert four (4) **bolts** through the top of the hood - from the inside.
2. Use four (4) **nuts** and (4) washers (D.6.4mm) to secure hood to support frame as shown.



## WIRING

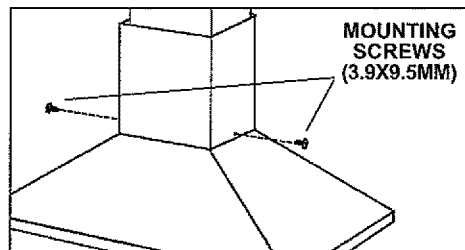
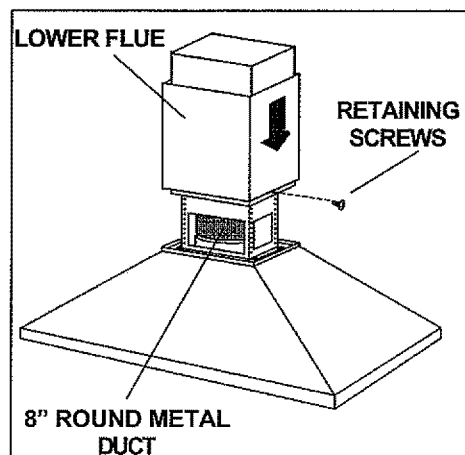
**Note:** This range hood must be properly grounded. The unit should be installed by a qualified electrician in accordance with all applicable national and local electrical codes.

1. Remove the **wiring box cover**. Remove a knockout from the wiring box.
2. Secure the conduit to the wiring box through a conduit connector.
3. Make electrical connections. Connect white to white, black to black and green to green.
4. Replace wiring box cover and screws. Make sure that wires are not pinched between cover and box.



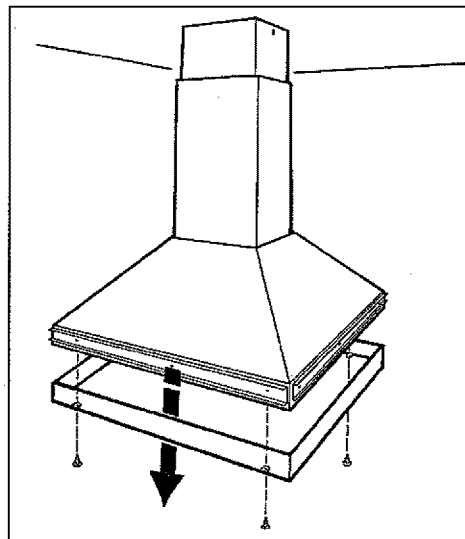
## CONNECT DUCTWORK

1. Use **8" round metal duct** to connect the discharge collar on the hood to the ductwork above.
2. Use duct tape to make all joints secure and air tight.
3. Remove the two temporary retaining screws from the lower flue and set it in place on the hood.
4. Secure decorative flue to hood with two mounting screws (3,9x9,5mm).



## BOTTOM TRIM REPLACEMENT

1. Remove the four (4) screws from the inside of the hood.
2. Remove the **trim** by pulling downward.
3. Slide the new trim upward onto hood.
4. Replace the four screws removed in step 1 above.



## MAINTENANCE

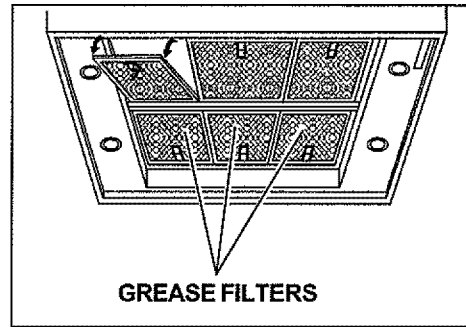
---

Proper maintenance of the Range Hood will assure proper performance of the unit.

### **Grease Filters**

The **grease filters** should be cleaned frequently. Use a warm detergent solution. Grease filters are dishwasher safe.

To take off the grease filters: at the handle, push the stop inwards and pull the filters downwards.



### **Hood Cleaning**

Stainless steel is one of the easiest materials to keep clean. Occasional care will help preserve its fine appearance.

Cleaning tips:

- Hot water with soap or detergent is all that is usually needed.
- Follow all cleaning by rinsing with clear water. Wipe dry with a clean, soft cloth to avoid water marks.
- For discolorations or deposits that persist, use a non-scratching household cleanser or stainless steel polishing powder with a little water and a soft cloth.
- For stubborn cases, use a plastic scouring pad or soft bristle brush together with cleanser and water. Rub lightly in direction of polishing lines or "grain" of the stainless finish. Avoid using too much pressure which may mar the surface.
- **DO NOT** allow deposits to remain for long periods of time.
- **DO NOT** use ordinary steel wool or steel brushes. Small bits of steel may adhere to the surface causing rust.
- **DO NOT** allow salt solutions, disinfectants, bleaches, or cleaning compounds to remain in contact with stainless steel for extended periods. Many of these compounds contain chemicals which may be harmful. Rinse with water after exposure and wipe dry with a clean cloth.

Painted surfaces should be cleaned with warm water and mild detergent only.



## OPERATION

### Controls

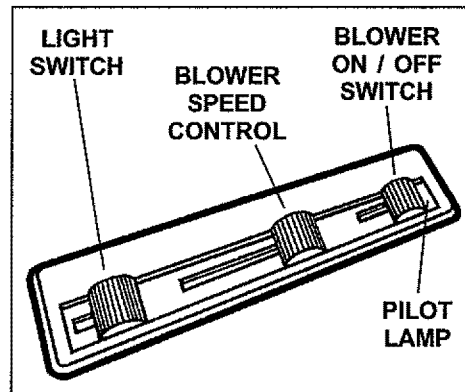
The hood is operated using the slide controls under the front edge of the hood.

The **light switch** turns the halogen lights on and off.

The **blower on / off switch** turns the blower on to the running speed set by the blower speed control. The blower must be turned on and off using this switch.

The **blower speed control** changes the running speed of the blower (1-2-3).

The **pilot lamp** lights up whenever the blower is on.



### HEAT SENTRY™

Your hood is equipped with a HEAT SENTRY™ thermostat. This thermostat is a device that will turn on or speed up the blower if it senses excessive heat above the cooking surface.

1) If blower is OFF - it turns blower ON to HIGH speed.

2) If blower is ON at a lower speed setting - it turns blower up to HIGH speed.

When the temperature level drops to normal, the blower will return to its original setting.

### WARNING

The HEAT SENTRY thermostat can start the blower even if the hood is turned OFF. When this occurs, it is impossible to turn the blower OFF with its switch. If you must stop the blower, do it from the main electrical panel.

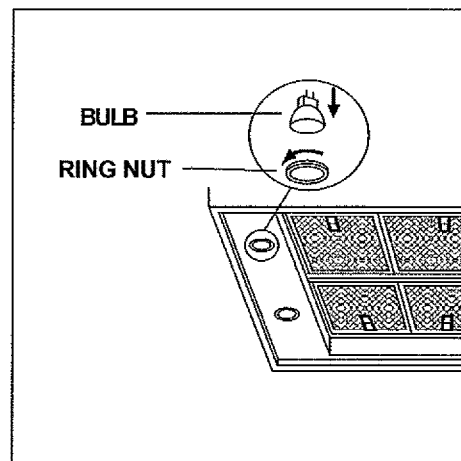
## HALOGEN BULBS

This range hood requires four (4) halogen bulbs (Type MR16, 12V, 20 W).

**ALWAYS SWITCH OFF THE ELECTRICITY SUPPLY BEFORE CARRYING OUT ANY OPERATIONS ON THE APPLIANCE.**

To change bulbs:

1. Loosen the ring nut by turning it counterclockwise.
2. Remove the bulb by pulling sideward - DO NOT ROTATE. **CAUTION: BULB MAY BE HOT!**
3. Replace with Type MR16, 12V, 20 W halogen bulb.



If lights fail to operate, disconnect power at the service entrance. Check fuse and replace if necessary.

One fuse is used for each two bulbs.

## FUSE REPLACEMENT

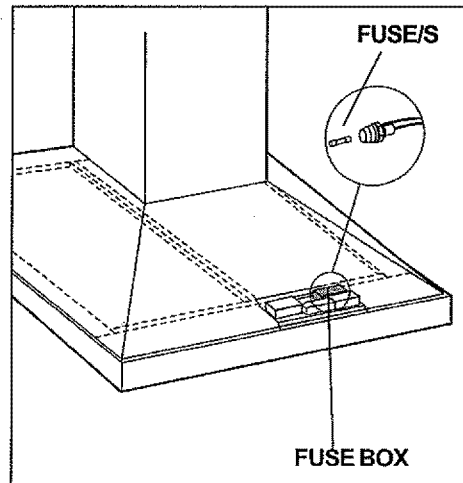
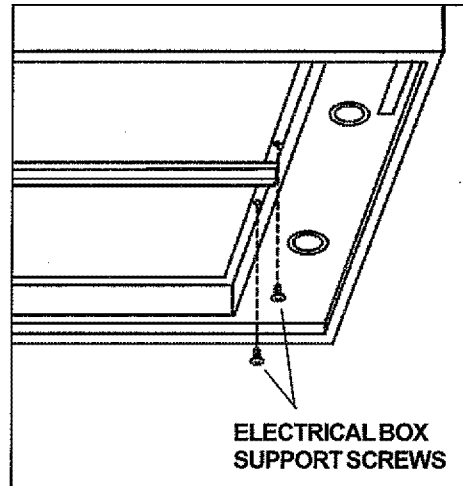
### SWITCH OFF THE ELECTRICITY SUPPLY.

Remove the grease filters.

Remove the electrical box support screws.

Open the fuse box.

Replace with the same type of fuse (5x20mm, 4A, 125V).



## WARRANTY

### BROAN ONE YEAR LIMITED WARRANTY

Broan warrants to the original consumer purchaser of its products that such products will be free from defects in materials or workmanship for a period of one year from the date of original purchase. THERE ARE NO OTHER WARRANTIES, EXPRESS OR IMPLIED, INCLUDING, BUT NOT LIMITED TO, IMPLIED WARRANTIES OR MERCHANTABILITY OR FITNESS FOR A PARTICULAR PURPOSE.

During this one-year period, Broan will, at its option, repair or replace, without charge, any product or part which is found to be defective under normal use and service.

THIS WARRANTY DOES NOT EXTEND TO FLUORESCENT LAMP STARTERS, TUBES, HALOGEN AND INCANDESCENT BULBS. This warranty does not cover (a) normal maintenance and service or (b) any products or parts which have been subject to misuse, negligence, accident, improper maintenance or repair (other than by Broan), faulty installation or installation contrary to recommended installation instructions.

The duration of any implied warranty is limited to the one-year period as specified for the express warranty. Some states do not allow limitation on how long an implied warranty lasts, so the above limitation may not apply to you.

BROAN'S OBLIGATION TO REPAIR OR REPLACE, AT BROAN'S OPTION, SHALL BE THE PURCHASER'S SOLE AND EXCLUSIVE REMEDY UNDER THIS WARRANTY. BROAN SHALL NOT BE LIABLE FOR INCIDENTAL, CONSEQUENTIAL OR SPECIAL DAMAGES ARISING OUT OF OR IN CONNECTION WITH PRODUCT USE OR PERFORMANCE. Some states do not allow the exclusion or limitation of incidental or consequential damages, so the above limitation or exclusion may not apply to you.

This warranty gives you specific legal rights, and you may also have other rights, which vary from state to state. This warranty supersedes all prior warranties.

To qualify for warranty service, you must (a) notify Broan at the address stated below or telephone: 1-800-637-1453, (b) give the model number and part identification and (c) describe the nature of any defect in the product or part. At the time of requesting warranty service, you must present evidence of the original purchase date.

**BEST BY BROAN**, P.O. Box 140 Hartford, Wisconsin 53027

# LISEZ ET CONSERVEZ CES INSTRUCTIONS

 **SEULEMENT POUR UTILISATION DOMESTIQUE** 

## **AVERTISSEMENTS**

**POUR REDUIRE LES RISQUES D'INCENDIE, DE DECHARGES ELECTRIQUES OU DE DOMMAGES AUX PERSONNES, OBSERVEZ LES INSTRUCTIONS SUIVANTES:**

1. N'utilisez cet appareil que comme cela est indiqué par le constructeur. Si vous avez des problèmes, contactez le fabricant à l'adresse ou au numéro de téléphone indiqués dans la garantie.
2. Avant de pouvoir à l'entretien ou au nettoyage de votre appareil, éteignez-le au tableau des commandes ou bloquez le tableau des commandes afin d'éviter de le mettre en marche accidentellement. Si vous ne pouvez pas bloquer le système permettant d'éteindre votre appareil, appliquez un avertissement extérieur d'une façon sûre, comme par exemple un panneau, sur le tableau des commandes.
3. L'assemblage et la connexion électrique doivent être faits par des personnes qualifiées en respectant les normes et règlements en vigueur, y compris les normes et règlements concernant les possibilités d'incendie.
4. Il est indispensable qu'il y ait suffisamment d'air pour que la combustion et l'évacuation des gaz à travers le tuyau du brûleur du combustible ait lieu sans retour de flamme. Suivez les indications données par le fabricant du brûleur ainsi que les normes de sécurité comme celles qui sont publiées par l'Association Nationale pour la Protection contre les Incendies National Fire Protection Association (NFPA) et la American Society for Heating, Refrigeration and Air Conditioning Engineers (ASHRAE), et les autorités locales en matière de normes.
5. Quand vous coupez ou percez des trous dans le mur ou le plafond, n'abîmez pas les fils électriques ou autres.
6. Le ventilateur canalisé doit toujours évacuer l'air vers l'extérieur.
7. N'utilisez pas cet appareil avec un appareil contrôlant la vitesse à état solide.
8. Afin de diminuer tout risque d'incendie n'utilisez que des conduits en métal.
9. Votre appareil doit être relié à la terre.

**ATTENTION - POUR REDUIRE LES RISQUES D'INCENDIE DES MATIERES GRASSES QUI SONT EN TRAIN DE CUIRE:**

- A. Ne laissez jamais ni vos éléments chauffants, ni vos casseroles ou poêles sur le feu sans les contrôler si vous réglez l'apport de chaleur sur une position élevée. Si vos casseroles ou poêles débordent cela provoque de la vapeur et des éclaboussures de graisse qui peuvent prendre feu. Chauffez les huiles lentement à feu bas ou moyen.
- B. Faites toujours fonctionner votre hotte quand vous cuisez à des températures élevées ou quand vous cuisinez des plats flambés. (par ex. crêpes Suzette, Cerises "Jubilé", Steak au poivre flambé).
- C. Nettoyez régulièrement les ailes de vos ventilateurs. Ne permettez pas que la graisse s'accumule sur le ventilateur ou sur le filtre.
- D. Utilisez des casseroles de taille appropriée. Utilisez toujours des ustensiles de cuisson dont la taille est appropriée à la surface de votre élément de cuisson.

## **AVERTISSEMENTS**

**POUR REDUIRE LES RISQUES DE DOMMAGES AUX PERSONNES AU CAS OÙ VOTRE CUISINIÈRE PRENDRAIT FEU, OBSERVEZ LES INSTRUCTIONS SUIVANTES:\***

1. **ETEINDRE LES FLAMMES** à l'aide d'un couvercle le plus hermétique possible, une plaque à gâteaux, ou un plateau en métal, puis éteindre le brûleur. **ATTENTION à NE PAS VOUS BRÛLER.** Si les flammes ne s'éteignent pas immédiatement, **SORTEZ ET APPELEZ LES POMPIERS.**
2. **NE PRENEZ JAMAIS EN MAIN UNE POËLE OU UNE CASSEROLE QUI A PRIS FEU**  
- Vous pourriez vous brûler.
3. **N'UTILISEZ PAS D'EAU,** ni torchons ou serviettes mouillés - vous provoqueriez une violente explosion de vapeur.

4. Utilisez un extincteur SEULEMENT si:
- A. Vous savez que vous avez un extincteur Classe ABC, et vous en connaissez déjà le mode d'emploi.
  - B. Ce n'est pas un très gros incendie et qu'il se limite à l'endroit où il a explosé.
  - C. Vous êtes en train d'avertir les pompiers.
  - D. Vous avez la possibilité d'essayer d'éteindre l'incendie en ayant le dos tourné vers une issue.
- \* D'après les "Suggestions concernant la Sécurité contre les incendies des cuisines" publiées par NFPA.

## ATTENTION

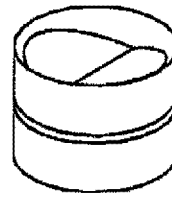
1. Pour réduire tout risque d'incendie et pour évacuer correctement l'air, assurez-vous de prévoir un conduit de ventilation extérieur. Ne videz pas l'air dans les espaces limités par des murs ou des plafonds, les combles, les passages étroits ou les garages.
2. Faites très attention quand vous utilisez des produits de nettoyage ou des détergents.
3. Évitez d'utiliser des aliments pouvant s'enflammer sous la Range Hood.
4. N'utilisez cet appareil que pour une ventilation générale. Ne l'utilisez pas pour évacuer des matières ou des vapeurs dangereuses ou qui peuvent exploser.
5. Pour éviter de causer des dommages au moteur et de rendre les rotors bruyants et/ou non équilibrés, évitez que les sprays pour murs secs, la poussière de construction entrent en contact avec la partie électrique.
6. Le moteur de votre hotte a un thermostat qui éteindra automatiquement le moteur s'il est surchauffé. Le moteur se remettra en marche lorsqu'il se sera refroidi. Si le moteur continue à s'éteindre et à se remettre en marche, faites vérifier votre hotte.
7. Pour mieux capturer les impuretés de cuisine, le bas de votre hotte devrait être à une distance minimum de 24" et à une distance maximum de 30" au-dessus du plan de cuisson.
8. Vu que cette hotte est grande et lourde, il est recommandé de confier l'installation de cette hotte à 3 personnes.
9. Ce produit est doté d'un thermostat qui active automatiquement le moteur. Pour réduire le risque de dommages et éviter l'activation accidentelle, positionner l'interrupteur du panneau de service sur la position OFF et bloquer le panneau de service ou mettre un avertissement externe, par exemple une plaquette.
10. Utiliser uniquement avec un kit de connexion pour alimentation homologué.
11. Nous vous recommandons de lire l'étiquette indiquant les caractéristiques de votre hotte pour de plus amples informations et exigences.

## PREPAREZ LA HOTTE

Enlever la hotte dans l'emballage et contrôler le contenu.

Vous devez recevoir :

- 1 - Hotte
- 1 - Conduit décoratif
- 1 - Structure de support
- 1 - Sachet (B080810004) avec:
  - 4 - Vis d'assemblage (6 x 70mm)
  - 8 - Rondelles Ø 6.4mm
  - 4 - Rondelles Ø 4.5mm
  - 13 - Vis d'assemblage (3.9 x 9.5mm Tête ronde)
  - 4 - Ecrous
- 1 - Collier d'évacuation
- 1 - Instructions pour l'installation
- 1 - Garantie



COLLIER  
D'EVACUATION



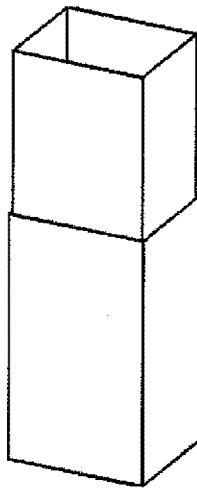
8 RONDELLES  
Ø6.4mm



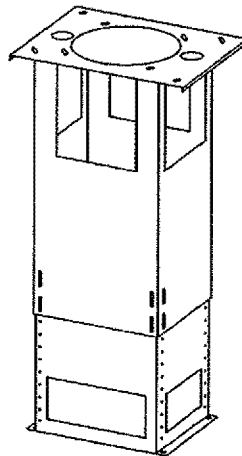
4 RONDELLES  
Ø4.5mm



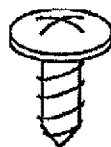
4 ECROUS



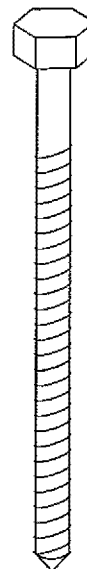
CONDUIT  
DECORATIF



STRUCTURE DE  
SUPPORT



13 VIS  
D'ASSEMBLAGE  
(3.9x9.5mm  
Tête ronde)

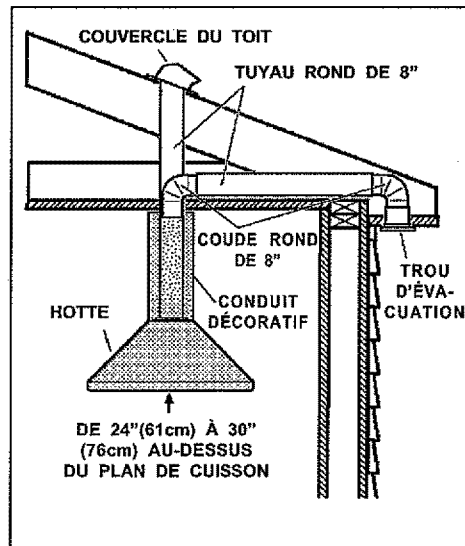


4 VIS D'ASSEMBLAGE  
(6x70mm)

## INSTALLATION DU SYSTEME D'EVACUATION

**REMARQUE:** Pour réduire les risques d'incendie, n'utilisez que des tuyaux en métal.

1. Décidez où le tuyau doit être installé, entre votre hotte et l'extérieur.
2. Un tuyau droit et court permettra à votre hotte de fonctionner d'une façon plus efficace.
3. Un tuyau long avec des coudes et des transitions réduira le bon fonctionnement de votre hotte. En utiliser le moins possible.
4. Installez un couvercle sur le toit ou au mur. Reliez un tuyau en métal rond de 8" (20cm) au couvercle et faites-le aller jusqu'à l'emplacement de votre hotte. Rendez les jonctions du tuyau hermétiques au moyen d'un ruban pour tuyaux.



## INSTALLATION DU SYSTEME DE SUPPORT

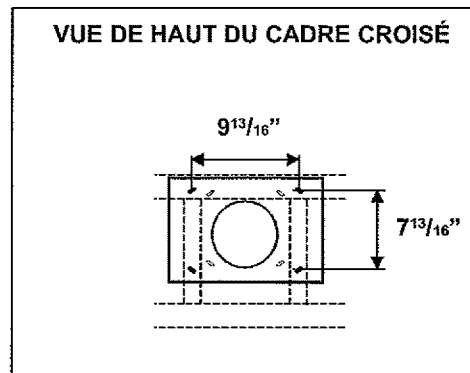
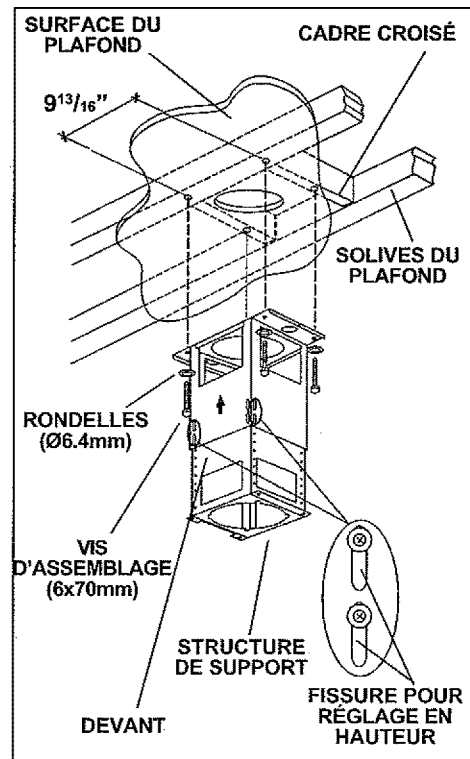
1. Installez, à l'emplacement de votre hotte, un **cadre croisé** de 2 x 4 entre les **solives du plafond** en suivant les dimensions qui vous sont indiquées.
2. Perfectionnez la surface du plafond. Assurez-vous de bien marquer l'emplacement des solives et du cadre croisé au plafond.
3. Placez la **structure de support** comme cela est indiqué. Après avoir fait la fixation, la flèche doit braquer sur le plafond.
4. Fixez la structure de support aux solives et au cadre croisé au moyen des quatre vis (6x70mm) et quatre rondelles (D-4.5mm) qui vous sont fournies. Assurez-vous que les vis soient bien centrées dans les solives et dans le cadre croisé de sorte que le tout soit bien solide.
5. Réglez la hauteur totale de la structure de support. Desserrez et resserrez les 4 vis dans les **fissures permettant de régler la hauteur** selon ce qui est nécessaire.

Installez 4 vis (3.9x9.5mm) et 4 rondelles (D.4.5mm) qui se trouvent à l'intérieur du sachet accessoires.

Considérez que la hauteur de votre hotte est de 10" (et que le bas de votre hotte doit être à entre 24" et 30" au maximum au-dessus du plan de cuisson.

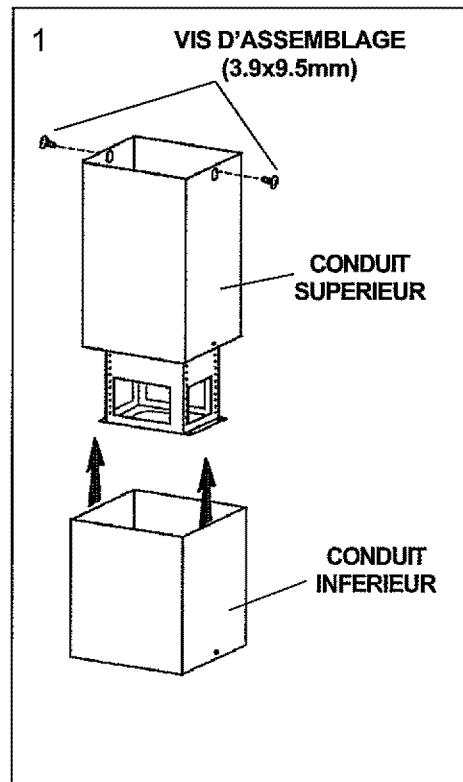
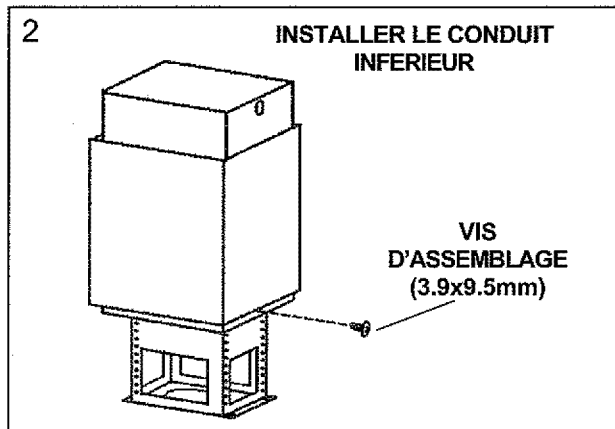
Considérez que la hauteur de votre hotte est de 11" et que:

- lorsque le plafon est de 8', le bas de votre hotte doit être à entre 24" et 27" au maximum au-dessus du plan de cuisson.
- lorsque le plafon est de 9', le bas de votre hotte doit être à entre 28" et 30" au maximum au-dessus du plan de cuisson.



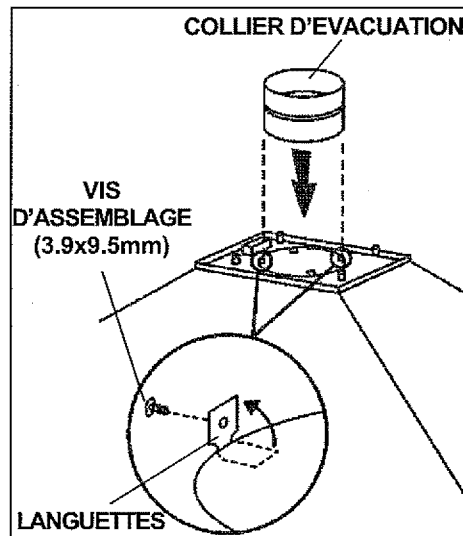
## ASSEMBLAGE DU CONDUIT DECORATIF

1. Fixez le **conduit supérieur** à la structure de support du haut avec les vis d'assemblage (3.9x9.5mm).
2. Installer le **conduit inférieur** pour qu'il touche le plafond et le fixer provisoirement à l'aide de la vis d'assemblage (3.9x9.5mm).



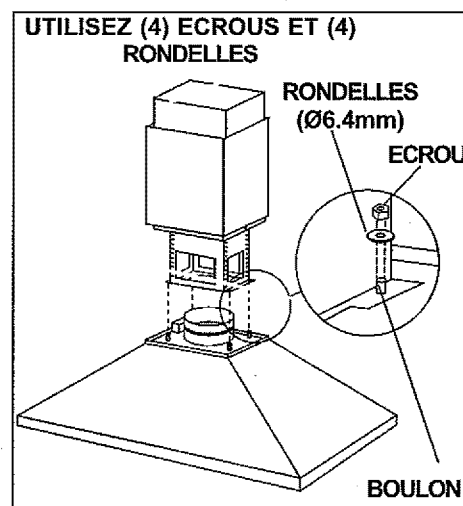
## INSTALLATION DU COLLIER D'ÉVACUATION

1. Pliez les 2 languettes vers l'extérieur.
2. Fixez le collier d'évacuation sur la hotte au moyen de 2 vis d'assemblage (3.9x9.5mm).



## ASSEMBLAGE DE VOTRE HOTTE A LA STRUCTURE DE SUPPORT

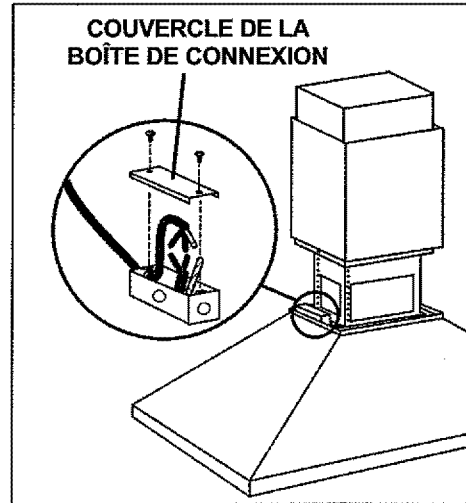
1. Insérez quatre (4) **boulons** par le haut de votre hotte - de l'intérieur.
2. Fixez votre hotte à la structure de support, comme cela est indiqué, au moyen des quatre (4) **écrous** et (4) rondelles (D. 6.4mm).



## INSTALLATION ELECTRIQUE

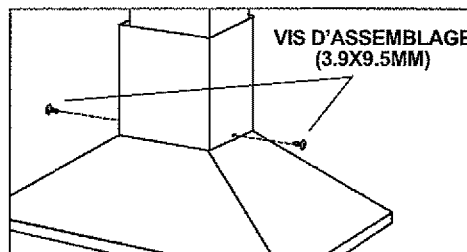
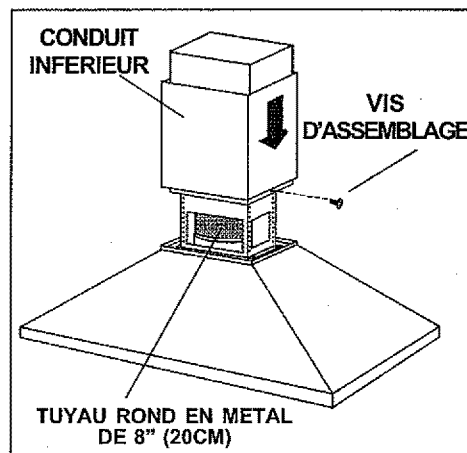
**Remarque:** Ce modèle de hotte doit être relié à la terre correctement. Cet article devrait être installé par un électricien qualifié selon les lois nationales et locales en matière d'électricité.

1. Enlevez le couvercle de la **boîte de connexion électrique**. Ouvrez un trou de la boîte de connexion électrique.
2. Fixer le "conduit" au boîtier de connexion à l'aide d'un connecteur approprié pour ce "conduit".
3. Faites le raccordement électrique. Reliez le blanc au blanc, le noir au noir et le vert au vert.
4. Remettez le couvercle de la boîte de connexion et les vis. Assurez-vous que les fils se sont pas coincés entre le couvercle et la boîte.



## CONNEXION DU SYSTEME D'EVACUATION

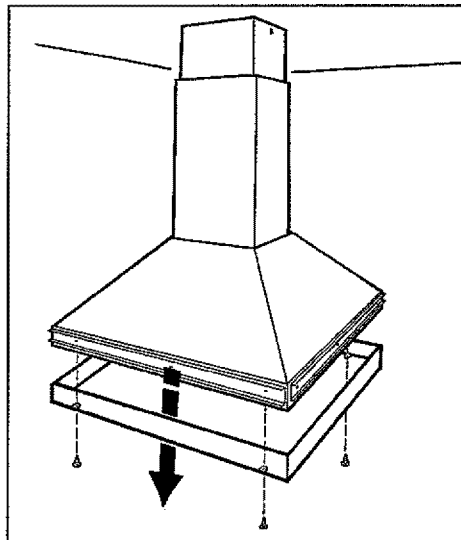
1. Reliez le collier d'évacuation qui se trouve sur votre hotte au système d'évacuation qui se trouve au-dessus au moyen d'un **tuyau rond en métal de 8" (20cm)**.
2. Utilisez du ruban pour tuyauterie afin de rendre toutes les jonctions sûres et étanches.
3. Déposer les 2 vis d'assemblage provisoires du conduit inférieur et poser le conduit sur la hotte.
4. Fixez le conduit inférieur à votre hotte au moyen des 2 vis d'assemblage.





## REPLACEMENT DU BORD INFERIEUR

1. Enlevez les quatre (4) vis de l'intérieur de votre hotte.
2. Enlevez le **bord** en poussant vers le bas.
3. Faites glisser le nouveau bord vers le haut sur votre hotte.
4. Remettez les quatre vis que vous aviez enlevées au paragraphe 1.



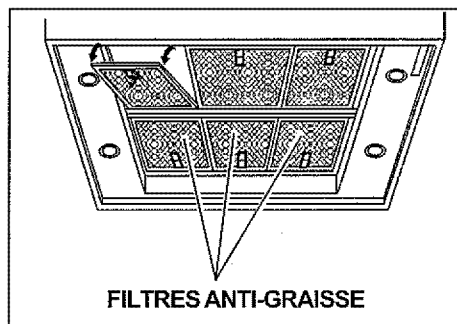
## ENTRETIEN

Un bon entretien de votre hotte garantira une excellente performance.

### *Filtres anti-graisse*

Les **Filtres anti-graisse** doivent être nettoyés fréquemment. Utilisez une solution contenant un détergent tiède. Les filtres anti-graisse peuvent être lavés au lave-vaisselle.

Pour enlever les filtres anti-graisse: à l'aide de la poignée, pousser l'arrêt vers l'intérieur et tirer le filtre vers le bas.



### *Nettoyage de votre hotte*

L'acier inoxydable est une des matières les plus faciles à nettoyer. Un entretien de temps en temps permettra de le conserver en parfait état.

Conseils pour le nettoyage:

- Eau chaude et savon ou détergent est tout ce qui est normalement nécessaire.
- Après chaque nettoyage, rincez bien à l'eau claire. Essuyez avec un chiffon propre et doux afin d'éviter les taches d'eau.
- Si des décolorations ou des dépôts persistent, utilisez un nettoyant domestique non abrasif ou de la poudre pour l'acier inoxydable et un peu d'eau et un chiffon doux.
- Dans les cas difficiles, utilisez une éponge en plastique ou une brosse douce avec du nettoyant et de l'eau. Frottez légèrement en suivant la direction du polissage ou du "grain" de l'acier inoxydable. Evitez de frotter trop fort afin de ne pas abîmer la surface..
- **NE LAISSEZ PAS** les taches trop longtemps.
- **N'UTILISEZ PAS** de laines d'acier ordinaires ou des brosses en acier. Des débris d'acier pourraient adhérer à la surface et causer de la rouille.
- **NE PERMETTEZ PAS** que des solutions salées, des désinfectants, des blanchissants ou des produits nettoyants restent en contact avec l'acier pendant longtemps. Beaucoup de ces produits contiennent des produits chimiques qui pourraient causer des dommages. Rincez à l'eau immédiatement s'ils entrent en contact et essuyez avec un chiffon humide.

Les surfaces peintes doivent être nettoyées avec de l'eau tiède additionnée d'un détergent doux seulement.

## FONCTIONNEMENT

### Commandes

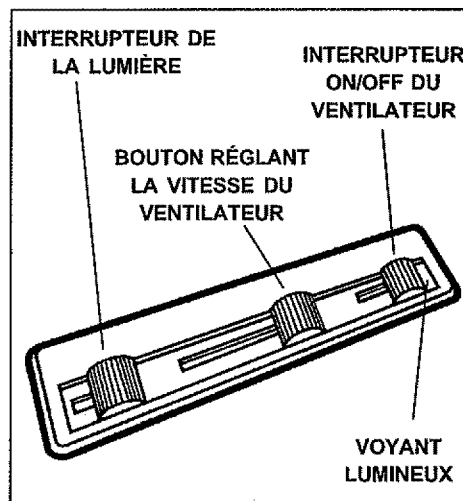
Votre hotte fonctionne grâce à des interrupteurs que vous faites glisser sur le devant de votre hotte.

L'**interrupteur de la lumière** allume et éteint les lampes halogènes.

L'**interrupteur ON/OFF du ventilateur** fait fonctionner le ventilateur à la vitesse établie par le bouton réglant la vitesse. Le ventilateur est mis en marche et arrêté au moyen de cet interrupteur.

Le **bouton réglant la vitesse** change la vitesse de fonctionnement du ventilateur (1-2-3).

Le **voyant lumineux** s'allume quand le ventilateur fonctionne.



### HEAT SENTRY<sup>MC</sup>

Votre hotte est munie d'un thermostat HEAT SENTRY<sup>MC</sup>. Ce thermostat est un dispositif qui actionnera ou augmentera la vitesse du ventilateur s'il détecte une chaleur excessive au-dessus de la surface de cuisson.

1) Si le ventilateur n'est pas en marche - il actionnera le ventilateur en haute vitesse.

2) Si le ventilateur fonctionne en basse vitesse - le ventilateur tournera en haute vitesse.

Lorsque la température revient à la normale, le ventilateur retourne à sa vitesse d'origine.

### AVERTISSEMENT

Le thermostat HEAT SENTRY<sup>MC</sup> peut actionner la hotte même si la hotte est arrêtée. Si tel est le cas, il est impossible de l'arrêter avec l'interrupteur. Si vous devez arrêter le ventilateur, faites-le à partir du panneau électrique principal.

## AMPOULES HALOGENES

Ce modèle de hotte veut quatre (4) ampoules halogènes (Type MR16, 12V, 20 W).

**AVANT DE PROCÉDER À QUELCONQUE OPÉRATION, DÉBRANCHEZ L'APPAREIL.**

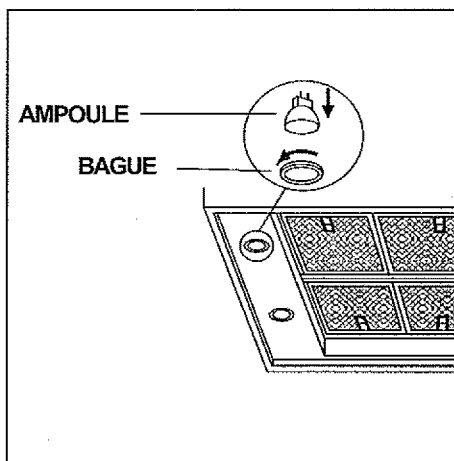
Pour changer les ampoules:

1. Dévissez la bague dans le sens contraire aux aiguilles d'une montre.
2. Enlevez l'ampoule en tirant sur le côté (NE LA FAITES PAS TOURNER). **ATTENTION: L'AMPOULE PEUT ÊTRE CHAUDE!**
3. Remplacer par une ampoule ayant les mêmes caractéristiques (Type MR16, 12V, 20 W).

Si les ampoules ne fonctionnent pas, débranchez l'appareil.

Vérifiez le fusible et remplacez-le si nécessaire.

Pour 2 ampoules il est nécessaire un fusible, pour 4 ampoules deux fusibles.



## REPLACEMENT FUSIBLE

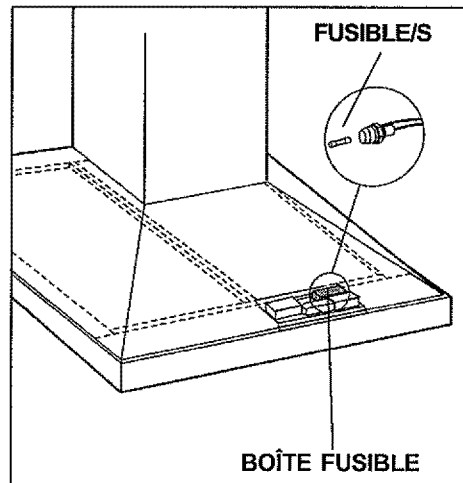
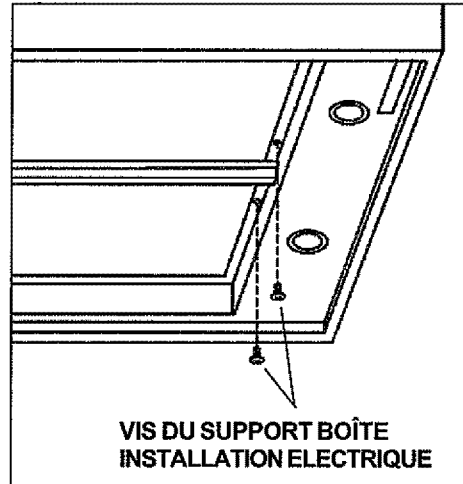
### DÉBRANCHEZ L'APPAREIL.

Enlevez les filtres anti-graisse.

Enlevez les vis du support boîte installation électrique.

Ouvrir la boîte fusible.

Remplacez par un fusible du même type (5x20mm, 4A, 125V).



## GARANTIE

### GARANTIE BROAN LIMITÉE À UN AN

Broan garantit au consommateur-acheteur de ses produits que ces produits seront sans défauts concernant les matières employées et concernant la fabrication pendant une période d'un an à partir de la date d'achat. IL N'Y A AUCUNE AUTRE GARANTIE, EXPLICITE OU IMPLICITE, Y COMPRIS, MAIS NON PAS LIMITEE A, LES GARANTIES IMPLICITES OU CONCERNANT LA CAPACITE COMMERCIALE OU LA CONVENANCE POUR TOUT BUT PARTICULIER. Pendant cette période d'un an, Broan réparera ou remplacera, s'il le jugera nécessaire, gratuitement, tout article ou toute pièce qui résulteront défectueux à condition qu'ils aient été utilisés et entretenus correctement.

CETTE GARANTIE NE S'ETEND PAS AUX INTERRUPTEURS DES NEON, NEON, LAMPES HALOGENES, AMPOULES d'ILLUMINATION. Cette garantie ne couvre pas (a) l'entretien normal ni (b) tout article ou toute pièce qui aient subi une utilisation erronée, une négligence, un accident, un entretien erroné ou une réparation (autre que de la part de Broan), une installation défectueuse ou bien une installation ne respectant pas les instructions d'installation recommandées.

La durée de toute garantie implicite est limitée à un an comme cela est spécifié dans la garantie explicite. Quelques états ne permettent pas de limites quant à la durée d'une garantie implicite, par conséquent la limitation indiquée ci-dessus peut ne pas vous concerner.

L'OBLIGATION DE REPARER OU DE REMPLACER DE LA PART DE BROAN SERA LE SEUL ET EXCLUSIF REMEDE DE L'ACHETEUR COUVERT PAR CETTE GARANTIE. BROAN NE SERA PAS RESPONSABLE DES DOMMAGES ACCIDENTELS, CONSEQUENTIELS OU SPECIAUX DUS A L'UTILISATION DU PRODUIT OU A SA PERFORMANCE OU EN ETANT LA CONSEQUENCE. Quelques états ne permettent pas l'exclusion ou la limitation des dommages accidentels ou consécutifs, par conséquent la limitation indiquée ci-dessus peut ne pas vous concerner. Cette garantie vous donne des droits légaux spécifiques, et vous pouvez aussi avoir d'autres droits, qui varient d'Etat à Etat. Cette garantie dépasse toute garantie précédente. Pour avoir droit à la garantie, vous devez (a) avertir la Maison Broan à l'adresse indiquée ci-dessous ou téléphoner: 1-800-637-1453, (b) donner le numéro du modèle et l'identification de la pièce défectueuse et (c) décrire la nature de tout défaut de l'article ou de la pièce. Au moment où vous demandez le service de garantie, vous devez présenter la preuve d'achat avec la date.

BEST BY BROAN, P.O. Box 140 Hartford, Wisconsin 53027

# LEA Y CONSERVE ESTAS INSTRUCCIONES

 **INDICADO PARA EL USO EN COCINAS DOMESTICAS** 

  **ADVERTENCIA**

**PARA EVITAR EL RIESGO DE INCENDIO, CORTOCIRCUITO O DAÑO PARA LAS PERSONAS, OBSERVE ATENTAMENTE LAS SIGUIENTES NORMAS:**

1. Use esta unidad solamente de la manera indicada por el fabricante; si tiene dudas, póngase en contacto con éste a la dirección o teléfono indicados en la garantía.
2. Antes de hacer una revisión o de limpiar la unidad, desconéctela de la red para evitar que se encienda de manera accidental. En el caso de que éste no pueda ser desactivado, se indicará nel panel de servicio.
3. El montaje y la instalación eléctrica debe hacerlos un técnico especializado siguiendo las normas estándar e incluyendo aquellas de construcción anti incendio.
4. Necesita aire suficiente para una apropiada combustión y escape de gases a través del tubo del depósito de quema de combustible. Para evitar que el humo aspirado vuelva a la cocina, siga las directivas del fabricante y las normas estándar de seguridad así como las normas publicadas por la Asociación de prevención de incendios (NFPA) y la Sociedad americana de especialistas en calefacción, refrigeración y aire acondicionado y además las normas de las autoridades locales.
5. Hacer un corte o un taladro en la pared o en el techo no debe dañar la instalación eléctrica u otras instalaciones ocultas en la pared.
6. Los conductos ventiladores deben siempre desalojar al exterior.
7. No use esta unidad con dispositivo de control de la velocidad a estado sólido.
8. Para evitar el riesgo de incendio, use solamente conductos de metal.
9. Esta unidad tiene que ser conectada a tierra.

**PARA EVITAR EL RIESGO DE FUEGO POR ALTO NIVEL DE GRASA:**

- A. Nunca abandone los quemadores con el fuego alto. La cocción causa humo y restos de grasa que pueden arder. Caliente el aceite a fuego medio o bajo.
- B. Encienda siempre la campana cuando cocine a fuego alto o cuando cocine alimentos fácilmente inflamables. (por ejemplo Crepes Suzette, Cerezas Jubilee, Ternera flambeada con granos de pimienta).
- C. Limpie con frecuencia los ventiladores. No se debe acumular grasa en el ventilador o en el filtro.
- D. Usa el tamaño de cazuela apropiado. Use siempre utensilios de cocina de tamaño y material adecuados.

  **ADVERTENCIA**

**PARA EVITAR EL RIESGO DE DAÑOS A PERSONAS EN CASO DE FUEGO POR ALTO NIVEL DE GRASA, TENGA EN CUENTA LO SIGUIENTE:\***

1. SOFOQUE LA LLAMA con una tapadera apropiada, una bandeja metálica ó un utensilio de cocina que pueda cubrirla, despues, apague el quemador. ACTÚE CON PRECAUCIÓN PARA EVITAR QUEMADURAS. Si la llama no se extingue inmediatamente, SALGA Y LLAME A LOS BOMBEROS.
2. NUNCA COJA UNA SARTEN EN LLAMAS, porque corre el riesgo de quemarse.
3. NO USE AGUA ni paños o toallas húmidas porque puede provocarse una violenta humareda.
4. Use un extintor SOLAMENTE si:
  - A. Posee un extintor de clase ABC y sabe perfectamente cómo usarlo.
  - B. El fuego es pequeño y está controlado en el mismo sitio en que empezó.
  - C. Ha llamado con anterioridad a los bomberos.
  - D. Puede combatir el fuego retrocediendo hacia la salida.

\* Basado en "Seguridad antifuego en la cocina" publicado por NFPA.

## **ADVERTENCIA**

---

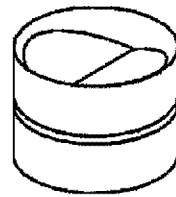
1. Para reducir el riesgo de incendios y para evacuar correctamente los humos, asegurarse de haber realizado una conducción del aire hasta el exterior. No expulsar los humos en espacios cerrados por paredes o techos, áticos, espacios angostos o garajes.
2. Prestar la máxima atención al utilizar productos de limpieza o detergentes.
3. Evitar el uso de productos alimentarios que puedan inflamarse bajo la campana.
4. Sólo para ventilación total. No use gases de escape peligrosos o materiales y vapores explosivos.
5. Para evitar daños en el funcionamiento del motor e impulsores ruidosos y/o desequilibrados, mantenga alejados de la unidad de encendido pulverizadores en seco o polvo.
6. El motor tiene un nivel de sobrecarga térmica que apaga automáticamente el motor cuando se ha recalentado excesivamente. El motor se pone de nuevo en funcionamiento cuando la temperatura baja. Si el motor comienza a encenderse y a apagarse, deberá hacer una revisión de éste.
7. Para limpiar mejor las impurezas al cocinar, la distancia entre la parte inferior de la campana y la zona de cocción debe ser mínimo 24" - máximo 30".
8. Debido a su gran tamaño y peso, se recomienda su montaje por parte de 3 técnicos especializados.
9. Este producto está dotado de un termostato que pone en marcha automáticamente el motor. Para reducir el riesgo de daños y evitar que se encienda accidentalmente, colocar el interruptor del panel de servicio en la posición OFF y bloquear el panel de servicio o colocar una advertencia externa como por ejemplo un letrero o una chapita.
10. Use solamente con juego de conexión para alimentación aprobado.
11. Se recomienda leer la placa de características del producto para ulterior información.

## PREPARE LA CAMPANA

Sacar la campana de l'embalaje y controlar el contenido.

Recivireis:

- 1 - Campana
- 1 - Tubo decorativo
- 1 - Armazón de soporte
- 1 - Bolsita (B080810004) con:
  - 4 - Tornillos de montaje (6 x 70mm cabeza redonda)
  - 8 - Arandelas  $\varnothing$  6.4mm
  - 4 - Arandelas  $\varnothing$  4.5mm
  - 13 - Tornillos de montaje (3.9 x 9.5mm cabeza redonda)
  - 4 - Tuercas
- 1 - Casquillo
- 1 - Instrucciones para instalación
- 1 - Garantía



CASQUILLO



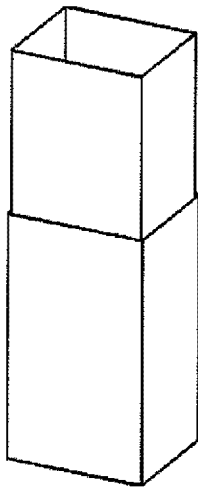
8 ARANDELAS  
 $\varnothing$ 6.4mm



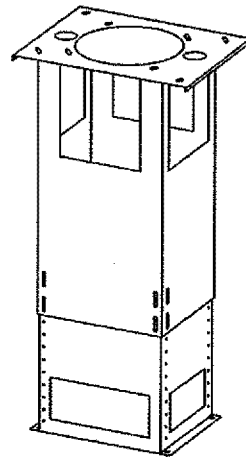
4 ARANDELAS  
 $\varnothing$ 4.5mm



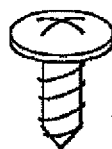
4 TUERCAS



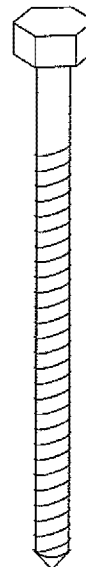
TUBO  
DECORATIVO



ARMAZÓN DE  
SOPORTE



13 TORNILLOS  
DE MONTAJE  
(3.9x9.5mm  
cabeza  
redonda)

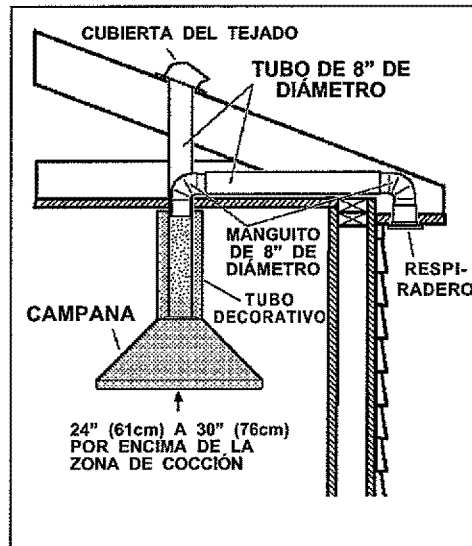


4 TORNILLOS DE  
MONTAJE (6x70mm)

## INSTALACION DEL TUBO DE EXTRACCION

**NOTA:** para evitar el riesgo de incendio, use solamente material de metal.

1. Decida donde va a colocar el tubo de extracción entre la campana y la parte exterior.
2. Un recorrido de tubo corto y recto permitirá a la campana funcionar de manera más eficaz.
3. Los recorridos largos de tubo, codos y manguitos impiden el buen funcionamiento de la campana. Use el menor número de ellos posible.
4. Instale una cubierta ó una tapa. Una el tubo de metal de 8" (20cm) de diámetro a la cubierta y retroceda hasta la posición de la campana. Use una cinta para precintar las juntas entre las partes del entubado.



## INSTALACION DEL SISTEMA DE SUJECION

1. En el sitio donde vaya a ir la campana, instale un **entramado** entre las **vigas del techo** utilizando las medidas dadas.
2. Termine la superficie del techo. Asegúrese de marcar la colocación de las vigas del techo y del entramado.
3. Coloque el **armazón de soporte** como se indica. Una vez efectuada la fijación, la flecha debe señalar hacia el techo.
4. Sujete la mitad superior del armazón de soporte a las vigas y al entramado con los cuatro tornillos (6x70mm) y cuatro arandelas (D.6.4mm) adjuntos.

Compruebe que los tornillos vayan al centro de las vigas del techo para una mayor rigidez.

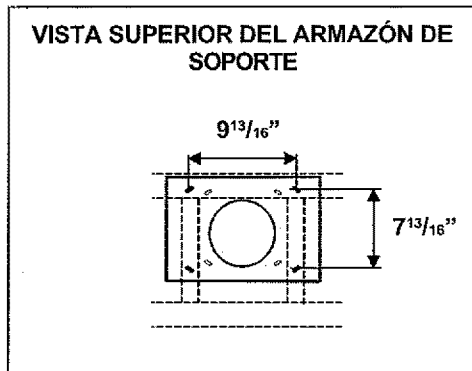
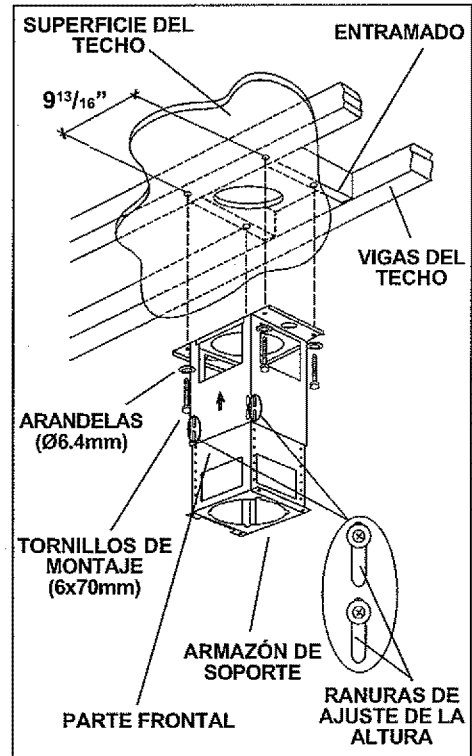
5. Ajuste la altura total del armazón de soporte. Afloje y apriete de nuevo los 4 tornillos en las **ranuras de ajuste de la altura** si es necesario.

Introduzca cuatro tornillos (3.9x9.5mm) y cuatro arandelas (D.4.5mm) colocados en la bolsita para el montaje.

Tenga en cuenta que la campana tiene 10" de alta y que su parte inferior debe estar a una altura mínima de 24" y máxima de 30" con respecto a la zona de cocción.

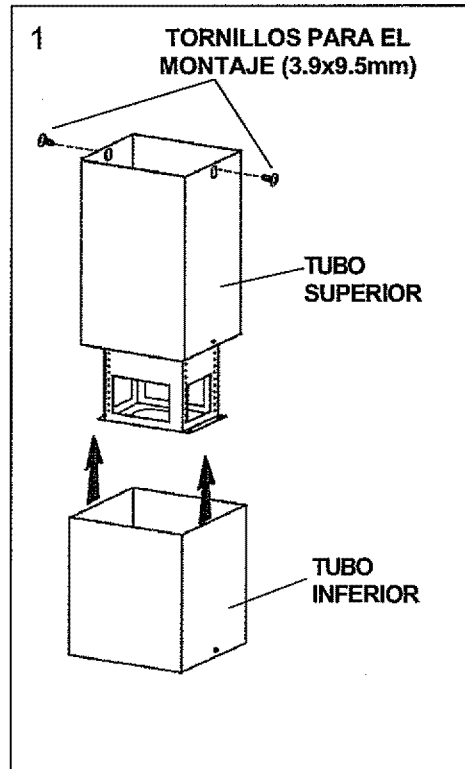
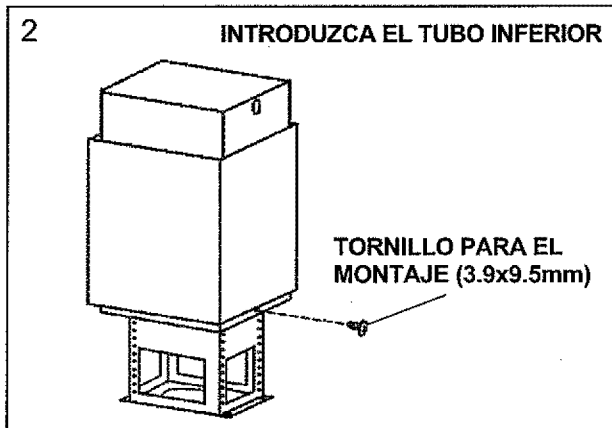
Tenga en cuenta que la campana tiene 11" de alta y que:

- En techos de 8', la distancia entre la campana y la parte superior de la cocina debe ser mínimo 24", max 27".
- En techos de 9', la distancia entre la campana y la parte superior de la cocina debe ser mínimo 28", max 30".



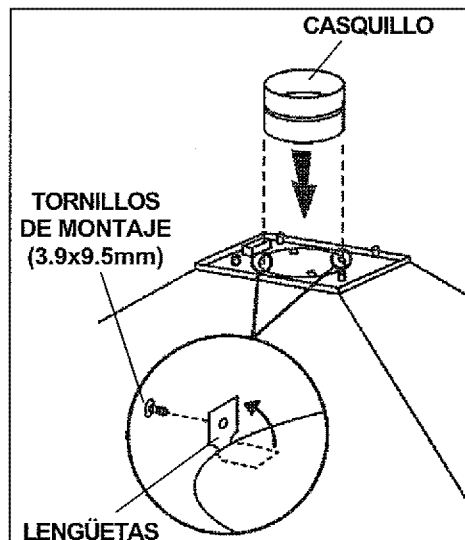
## INSTALACION DEL TUBO DECORATIVO

1. Sujete el **tubo superior** a la parte superior de la estructura de soporte de madera en la pared con los tornillos para el montaje (3.9x9.5mm).
2. Introduzca el **tubo inferior** hasta hacerlo tocar el techo, y fíjelo momentáneamente con el tornillo para el montaje (3.9x9.5mm).



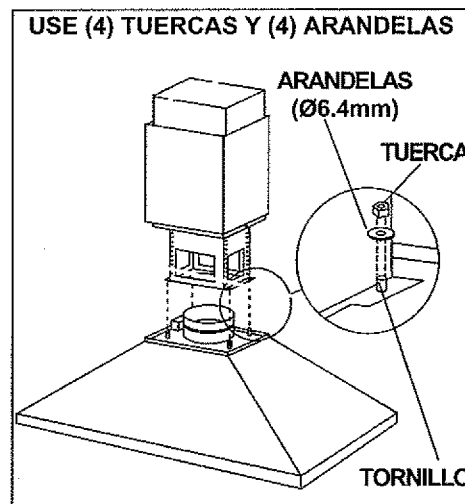
## INSTALACION DEL CASQUILLO DE UNION CON EL TUBO

1. Doblar las 2 lengüetas hacia afuera.
2. Sujete el **casquillo** a la campana con 2 tornillos de montaje (3.9x9.5mm).



## FIJAR LA CAMPANA A LA ESTRUCTURA DE MADERA

1. Introduzca cuatro (4) **tornillos** en la parte superior de la campana desde la parte interna de ésta.
2. Use cuatro (4) **tuercas** y (4) arandelas (D.6.4mm) para fijar la campana a la estructura de madera en la pared como se indica.

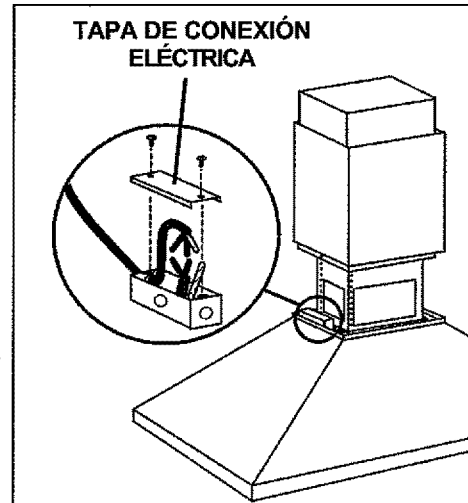




## INSTALACION ELECTRICA

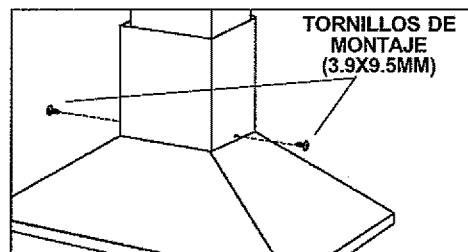
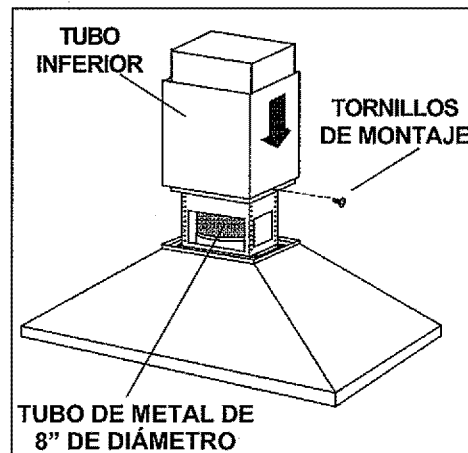
**Nota:** Este tipo de campana tiene que ser conectada a tierra cuidadosamente. La unidad debe instalarla un técnico electricista siguiendo las normas nacionales y locales.

1. Quite la **tapa de la caja de conexión eléctrica** y saque un cable.
2. Fije el "conduit" a la caja de conexión por medio de un conector idóneo para el "conduit".
3. Haga las conexiones eléctricas, una blanco con blanco, negro con negro y verde con verde.
4. Vuelva a conectar la tapa de la caja de conexión. Compruebe que los cables no queden pillados.



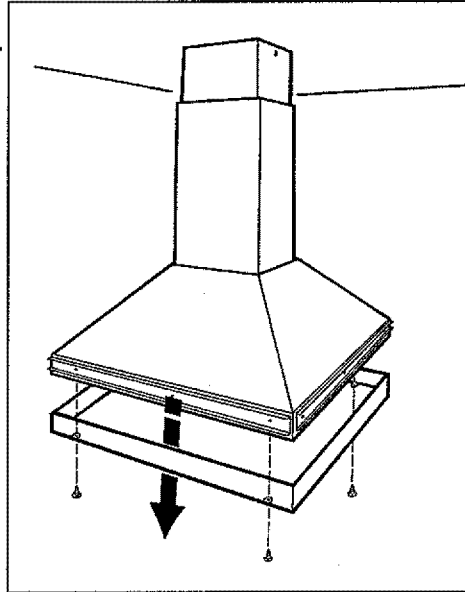
## INSTALACION DEL TUBO DE EXTRACCION

1. Use un **tubo de metal de 8" (20cm) de diámetro** para unir el casquillo situado en la parte superior de la campana con el tubo de extracción.
2. Use la cinta para unir todas las juntas, de esta manera el tubo quedará hermético.
3. Remueva los 2 tornillos para el montaje provisional del tubo inferior y apoye el tubo sobre la campana.
4. Sujete el tubo inferior a la campana con los 2 tornillos para el montaje (3,9x9,5mm).



## **CAMBIO DEL PANEL INFERIOR**

1. Quite los cuatro (4) tornillos del interior de la campana.
2. Quite el **panel** tirando de él hacia abajo.
3. Introduzca el panel nuevo por el interior de la campana empujandolo hacia arriba.
4. Vuelva a poner los tornillos que ha quitado anteriormente.



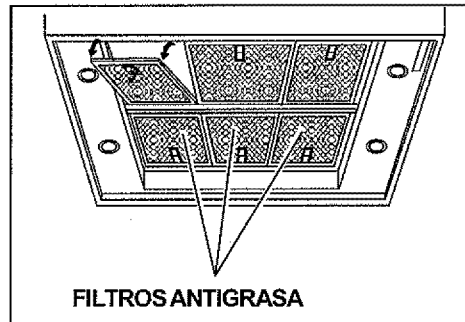
## **MANTENIMIENTO**

Un mantenimiento adecuado de la campana asegura el funcionamiento correcto del aparato.

### **Filtros antigrasa**

Los **filtros antigrasa** deben limpiarse a menudo. Use un detergente que no sea fuerte. Los filtros antigrasa se pueden meter en el lavavajillas.

Para extraer los filtros antigrasa, empuje de las manillas hacia dentro y tire de los filtros hacia abajo.



### **Limpieza de la campana**

El acero inoxidable es uno de los materiales más fáciles de limpiar, pero sería aconsejable un especial cuidado en su uso para mantenerla en buen estado.

La campana se puede limpiar de las siguientes maneras:

- Agua caliente con jabón o detergente es la mejor manera para limpiarla.
- Aclárela con agua corriente, séquela con un paño suave y limpio para evitar las huellas que deja el agua.
- Para las manchas o restos de grasa que persistan, use un producto químico doméstico que no raye ó un limpiador para acero inoxidable con poca agua y un paño suave.
- Si las manchas persisten, use un estropajo y un cepillo de cerdas suaves con un producto limpiador y agua. Frote suavemente en el sentido del pulido o de las "vetas" del remate del inoxidable. No apriete demasiado porque podría dañar la superficie.
- No deje que las manchas se acumulen durante mucho tiempo.
- No use utensilios o cepillos de acero. Pequeñas partículas de acero pueden adherirse y oxidarse.
- No use soluciones salinas, desinfectantes, lejías, o productos de limpieza que permanezcan en contacto con el acero inoxidable durante largos periodos de tiempo. Muchos de estos productos contienen componentes químicos que podrían resultar nocivos. Aclare con agua y seque con un paño limpio.

Las superficies lacadas deben limpiarse solamente con agua tibia y detergente no muy fuerte.

## **FUNCIONAMIENTO**

### **Mandos**

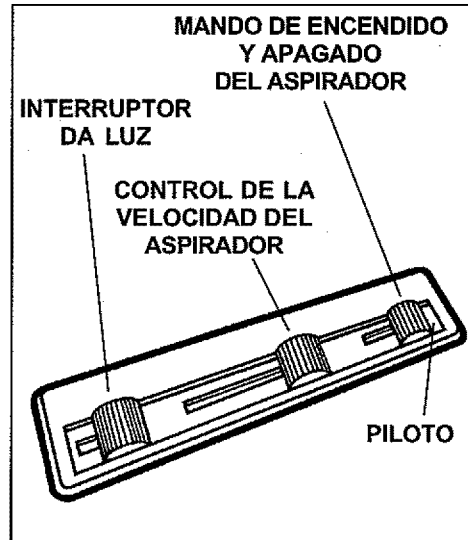
La campana se pone en funcionamiento usando los mandos situados abajo de la parte frontal de la campana.

El **interruptor sa luz** enciende y apaga las lámparas halógenas.

El **mando de encendido y apagado del aspirador** pone éste en posición de encendido junto con el control de la velocidad.

El **control de velocidad del aspirador** cambia la velocidad del aspirador (1-2-3).

El **piloto** se enciende cuando el aspirador está funcionando.



### **HEAT SENTRY<sup>MR</sup>**

Su campana esta equipada con termostato HEAT SENTRY<sup>MR</sup>. Este termostato tiene un mecanismo que se encenderá o acelerará el ventilador si se detecta un calor excesivo encima de la cocina.

- 1) Si el ventilador esta apagado - el se prenderá a una velocidad máxima.
- 2) Si el ventilador esta encendido a una velocidad minima - el se prenderá a una velocidad máxima.

Cuando la temperatura disminuye a un nivel normal, el ventilador vuelve a la función de origen.

### **AVERTENCIA**

El HEAT SENTRY<sup>MR</sup> termostato puede comenzar a funcionar al igual si la campana esta parada. En este caso, es imposible parar el ventilador con los interruptores. Si usted para la campana, halago a partir del panel eléctrico principal.

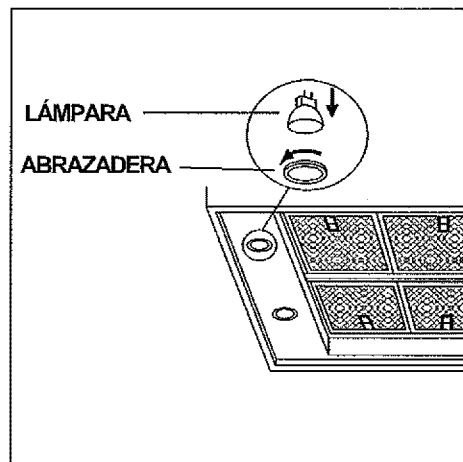
## **LAMPARAS HALOGENAS**

Este tipo de campana necesita cuatro (4) lámparas halógenas (Tipo MR16, 12V, 20W).

**ANTES DE PROCEDER A CUALQUIER OPERACIÓN, ES NECESARIO DESCONECTAR EL APARATO.**

Para cambiar las lámparas:

1. Destornillar la abrazadera en sentido antihorario.
2. Extraiga la lámpara oblicuamente (NO LA GIRE)- **ATENCIÓN: LAS LÁMPARAS PUEDEN ESTAR CALIENTES.**
3. Sustituir con lámparas del mismo tipo (MR16, 12V, 20W).



Si las lamparas no funcionasen, desconectar el aparato.

Controlar el fusible y sustituirlo si necesario.

Por 2 lamparas es necesario 1 fusible, por 4 lamparas 2 fusibles.

## SUSTITUCION FUSIBLE

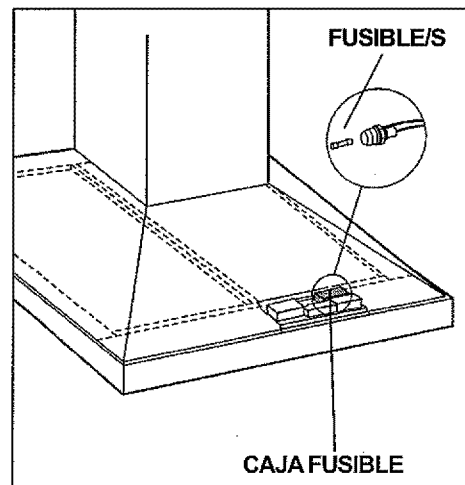
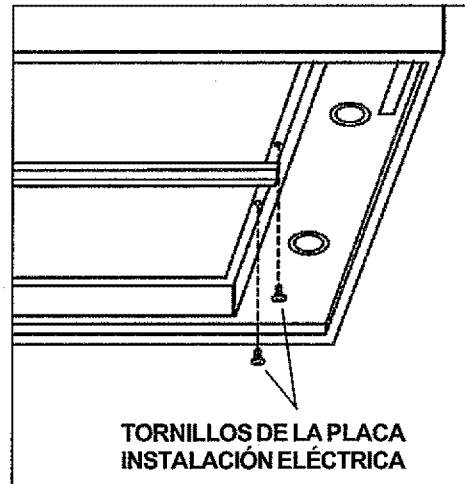
### DESCONECTAR EL APARATO.

Remover los filtros antigrasa.

Remover los tornillos de la placa instalación eléctrica.

Abrir la caja fusible.

Sustituir por un fusible del mismo tipo (5x20mm, 4A, 125V).



## GARANTIA

### GARANTIA BROAN POR UN AÑO

Broan garantiza al consumidor-comprador de sus productos que dichos productos no tendrán defectos en los materiales o fabricación, durante un periodo de un año a partir de la fecha de la compra. NO HAY OTRO TIPO DE GARANTIAS QUE INCLUYAN O SE LIMITEN EXCLUSIVAMENTE A GARANTIAS IMPLICITAS O DE CAPACIDAD COMERCIAL O CONVENIENCIA PARA UN PROPOSITO ESPECIFICO.

Durante el periodo de un año, Broan, si lo estima conveniente, reparará o reemplazará sin gastos para el usuario cualquier producto o parte de éste que sea defectuosos habiéndose usado correctamente. ESTA GARANTIA NO CUBRE: ESTARTER DE NEON, NEON, LÁMPARAS HALÓGENAS, LÁMPARAS DE ILUMINACIÓN. Tampoco cubre el mantenimiento ni los productos o partes de éstos que hayan sido usados de forma incorrecta, con negligencia, rotos accidentalmente o por una incorrecta manutención ó reparación (distinta da la realizada por Broan), montaje incorrecto ó instalación que no se ajuste a las instrucciones de montaje indicadas. Le duración de la garantía se limita al periodo de un año como está especificado en la garantía explicita. Algunos países no permiten un limite en la duración de la garantía implicita; si es así en su caso, esta limitación arriba indicada podría no aplicarse.

LA PRESENTE GARANTIA CUBRIRA EXCLUSIVAMENTE AL COMPRADOR LOS SERVICIOS DESCRITOS ANTERIORMENTE. BROAN NO SE HACE RESPONSABLE DE DANOS PRODUCIDOS DE MANERA ACCIDENTAL O RELACIONADOS CON EL USO INCORRECTO DEL PRODUCTO O SU FUNCIONAMIENTO.

Algunos países no permiten la exclusión o limitación de los daños producidos de manera accidental, si es así en su caso, esta limitación arriba indicada podría no aplicarse. Esta garantía le da derechos legales especificos y podría también disponer de otros derechos que varían de país a país. Esta garantía supera otras garantías dadas con anterioridad. Para disfrutar de la garantía usted deberá a) Avisar a la dirección abajo indicada ó bien llamar por teléfono al número 1-800-637-1453 b) Dar el número de serie del modelo correspondiente o bien una descripción de la parte averiada, c) Descripción del defecto en el producto o bien en una de sus partes. Para requerir un servicio en garantía debe presentar el justificante con la fecha de la compra.

BEST BY BROAN, P.O. Box 140 Hartford, Wisconsin 53027

## SERVICE PARTS

**MODEL IS42** - Parts for stainless steel models shown. For service parts for black, white, polished brass, or brushed copper models, call Broan Customer Service.

KEY NO.	PART NO.	DESCRIPTION
9	B08091633	N. 3 Grease Filters (70x100cm models)
9	B08087132	N. 4 Grease Filters (90x130cm models)
14	B02300233	Motor Capacitor
19	B03295005	Capacitor Protection
26	B02300774	Lamp Bulb
30	B03292291	Switch Cover
37	B02300787	Heat Sentry
39	B03294033	Control Board Box Cover
42	B03295001	Filter Support
48	B02310183	Motor
49	B03295071	Blower Wheel
53	B03202007	Rubber Washer
57	BE3300527	Damper Flap
62	BE3401508	Blower Support (70x100cm models)
62	BE3403001	Blower Support (90x130cm models)
63	BE3335842	Upper Bracket
68	B02011064	Right Blower Housing
69	B02011063	Left Blower Housing
86	B08088242	Flange
113	B02011284	Nameplate
115	BE3495228	Wiring Box
116	BE3334252	Wiring Box Cover
118	BE3407823	Decorative Flue Bottom
119	BE3403578	Decorative FlueTop
124	B03109013	Telescopic Structure Bottom
125	B03109014	Telescopic Structure Top
135	B003181955	Bottom trim (70x100cm models)
135	B003180658	Bottom trim (90x130cm models)
144	B03292287	Wire Clamp
147	BR2300135	Terminal Block
165	B03295008	Board Box
165	B03294781	Wiring Box
166	B08086668	Control Board
195	BE3345380	Electrical Box Support
196	B02009193	Lamp Protection
199	B02300688	Ceramic insulator
200	B02009103	Lamp support
208	B02300792	Transformer
250	B02009102	Ring Nut
274	B03295035	Fuse Box
477	B03295006	Closing
998	B080810004	Hardware Package
998	B080810199	Fitting set (Includes Keys No. 57, 86)
*	B06107575	Switch Box Assembly (70x100cm models) (Includes Keys No. 222, 223, 226, 225, 224, 228, 229, 230)
*	B06108008	Switch Box Assembly (90x130cm models) (Includes Keys No. 222, 223, 226, 225, 224, 228, 229, 230)
*	B06002007	Blower Assembly (Includes Keys No. 42, 48, 49, 53, 68, 69)
-	B02300782	Fuse
-	B02300674	Fuse Holder

\* Not shown assembled.

## LISTE PIECES DE RECHANGE

**MODELE IS42** - Ci-dessous liste pièces de rechange pour hottes en inox. Pour les pièces de rechange des modèles de couleurs noir, blanc, laiton jaune poli, cuivre brossé, contacter Broan Customer Service.

N.	PART NO.	DESCRIPTION
9	B08091633	N. 3 Filtres anti-graisse (modèles 70x100cm)
9	B08087132	N. 4 Filtres anti-graisse (modèles 90x130cm)
14	B02300233	Condensateur
19	B03295005	Protection condensateur
26	B02300774	Lampe halogène
30	B03292291	Couvercle commandes
37	B02300787	Capteur de température
39	B03294033	Couvercle boîte installation électrique
42	B03295001	Support filtre
48	B02310183	Moteur
49	B03295071	Turbine du moteur
53	B03202007	Pare chocs
57	BE3300527	Clapet anti-retour
62	BE3401508	Support moteur (modèles 70x100cm)
62	BE3403001	Support moteur (modèles 90x130cm)
63	BE3335842	Etrier supérieur
68	B02011064	Cocue moteur droite
69	B02011063	Cocue moteur gauche
86	B08088242	Bride de raccordement
113	B02011284	Plaquette logo
115	BE3495228	Boîte d'alimentation
116	BE3334252	Couvercle boîte d'alimentation
118	BE3407823	Tube inférieur
119	BE3403578	Tube supérieur
124	B03109013	Structure télescopique inférieure
125	B03109014	Structure télescopique supérieure
135	B003181955	Frontal (modèles 70x100cm)
135	B003180658	Frontal (modèles 90x130cm)
144	B03292287	Serre cable
147	BR2300135	Borne
165	B03295008	Boîte circuit imprimé installation électrique
165	B03294781	Boîte installation électrique
166	B08086668	Circuit imprimé installation électrique
195	BE3345380	Support boîte installation électrique
196	B02009193	Protection lampe
199	B02300688	Support de ceramique
200	B02009103	Support lampe
208	B02300792	Transformateur
250	B02009102	Embout
274	B03295035	Boîte Fusible
477	B03295006	Couvercle de la protection transformateur
998	B080810004	Accessoires de fixation
998	B080810199	Accessoire de fixation (Comprenant N.57, 86)
*	B06107575	Ensemble commandes (modèles 70x100cm) (Comprenant N. 222, 223, 226, 225, 224, 228, 229, 230)
*	B06108008	Ensemble commandes (modèles 90x130cm) (Comprenant N. 222, 223, 226, 225, 224, 228, 229, 230)
*	B06002007	Ensemble moteur (Comprenant N. 42, 48, 49, 53, 68, 69)
-	B02300782	Fusible
-	B02300674	Porte-fusible

\* Illustrées separement.

## LISTA DE PIEZAS DE RECAMBIO

**MODELO IS42** - Aquí aparecen solamente las piezas de recambio para campanas de acero inoxidable, si desean las piezas de recambio de los modelos en blanco, negro, latón lustrado ó cobre acepillado, pónganse en contacto con el servicio al cliente de Broan.

CÓD. N.	PIEZA N.	DESCRIPCIÓN
9	B08091633	N. 3 Filtros antigrasa (modelos 70x100cm)
9	B08087132	N. 4 Filtros antigrasa (modelos 90x130cm)
14	B02300233	Condensador
19	B03295005	Protección condensador
26	B02300774	Lámpara
30	B03292291	Tapa caja mandos
37	B02300787	Capteur de température
39	B03294033	Tapa de la caja de instalación eléctrica
42	B03295001	Soporte filtro
48	B02310183	Motor
49	B03295071	Manilla del motor
53	B03202007	Almohadilla antivibraciones
57	BE3300527	Válvula de no retorno
62	BE3401508	Soporte motor (modelos 70x100cm)
62	BE3403001	Soporte motor (modelos 90x130cm)
63	BE3335842	Soporte superior
68	B02011064	Lado derecho del motor
69	B02011063	Lado izquierdo del motor
86	B08088242	Conector del tubo
113	B02011284	Placa marca
115	BE3495228	Caja de alimentación eléctrica
116	BE3334252	Tapa de la caja de alimentación eléctrica
118	BE3407823	Tubo decorativo inferior
119	BE3403578	Tubo decorativo superior
124	B03109013	Structura telescopica inferior
125	B03109014	Structura telescopica superior
135	B003181955	Frontal (modelos 70x100cm)
135	B003180658	Frontal (modelos 90x130cm)
144	B03292287	Sujeta cabos
147	BR2300135	Terminal
165	B03295008	Caja Base para instalación eléctrica
165	B03294781	Caja de instalación eléctrica
166	B08086668	Base para instalación eléctrica
195	BE3345380	Soporte de instalación eléctrica
196	B02009193	Protección de la lámpara
199	B02300688	Soporte de cerámica de la lámpara
200	B02009103	Soporte de la lámpara
208	B02300792	Transformador
250	B02009102	Abrazadera
274	B03295035	Caja fusible
477	B03295006	Tapa protección transformador
998	B080810004	Accesorios para el montaje
998	B080810199	Conjunto conexión (Incluye los N. 57, 86)
*	B06107575	Conjunto caja mandos (modelos 70x100cm) (Incluye los N. 222, 223, 226, 225, 224, 228, 229, 230)
*	B06108008	Conjunto caja mandos (modelos 90x130cm) (Incluye los N. 222, 223, 226, 225, 224, 228, 229, 230)
*	B06002007	Conjunto motor (Incluye los N. 42, 48, 49, 53, 68, 69)
-	B02300782	Fusible
-	B02300674	Portafusible

\* Se encuentran por separado.

# SERVICE PARTS - LISTE PIECES DE RECHANGE -LISTA DE PIEZAS DE RECAMBIO

MODEL IS42

