

SEARS
OWNER'S
MANUAL

MODEL NO.
536.885910

Caution:
Read and Follow
All Safety Rules
and Instructions
Before Operating
This Equipment

CRAFTSMAN®

8 HORSEPOWER
26" DUAL STAGE
TRAC-PLUS
120V. ELECTRIC START
SNOW THROWER

- **Assembly**
- **Operation**
- **Maintenance**
- **Service and Adjustments**
- **Repair Parts**



SEARS, ROEBUCK AND CO., Chicago, IL 60684 U.S.A.

SAFETY RULES



CAUTION: ALWAYS DISCONNECT SPARK PLUG WIRE AND PLACE WIRE WHERE IT CANNOT CONTACT SPARK PLUG TO PREVENT ACCIDENTAL STARTING WHEN SETTING-UP, TRANSPORTING, ADJUSTING OR MAKING REPAIRS.



IMPORTANT

SAFETY STANDARDS REQUIRE OPERATOR PRESENCE CONTROLS TO MINIMIZE THE RISK OF INJURY. YOUR SNOW THROWER IS EQUIPPED WITH SUCH CONTROLS. DO NOT ATTEMPT TO DEFEAT THE FUNCTION OF THE OPERATOR PRESENCE CONTROL UNDER ANY CIRCUMSTANCES.

BEFORE USE

- Read the Owner's Manual carefully. Be thoroughly familiar with the controls and the proper use of the snow thrower. Know how to stop the snow thrower and disengage the controls quickly.
- Do not operate the snow thrower without wearing adequate winter outer garments. Wear footwear that will improve footing on slippery surfaces.
- Keep the area of operation clear of all persons, particularly small children, and pets.
- Thoroughly inspect the area where the snow thrower is to be used and remove all doormats, sleds, boards, wires, and other foreign objects.
- Use extension cords and receptacles as specified by the manufacturer for all snow throwers with electric drive motors or electric starting motors.
- Use only attachments and accessories approved by the manufacturer of the snow thrower (such as tire chains, electric start kits, etc.)
- Never operate the snow thrower without good visibility or light. Always be sure of your footing, and keep a firm hold on the handles. Walk; never run.
- This snow thrower is for use on sidewalks, driveways, and other ground level surfaces. CAUTION should be exercised while using on steep sloping surfaces. **DO NOT USE SNOW THROWER ON SURFACES ABOVE GROUND LEVEL** such as roofs of residences, garages, porches or other such structures or buildings.
- Check shear bolts and other bolts at frequent intervals for proper tightness to be sure the snow thrower is in safe working condition.
- Disengage all clutches and shift into neutral before starting the engine.
- Adjust the snow thrower height to clear gravel or crushed rock surface.
- Let engine and snow thrower adjust to outdoor temperatures before starting to clear snow.

FUEL SAFETY

- Handle fuel with care; it is highly flammable.
- Use an approved fuel container.
- Check fuel supply before each use, allowing space for expansion as the heat of the engine and/or sun can cause fuel to expand.
- Fill fuel tank outdoors with extreme care. Never fill fuel tank indoors.
- Replace fuel tank cap securely and wipe up spilled fuel.
- Never remove fuel tank cap or add fuel to a running engine or hot engine.
- Never store fuel or snow thrower with fuel in the tank inside of a building where fumes may reach an open flame or spark.

OPERATING SAFETY

- Never allow children or young teenagers to operate the snow thrower and keep them away while it is operating. Never allow adults to operate the snow thrower without proper instruction. Do not carry passengers.
- Always wear safety glasses or eye shields during operation or while performing an adjustment or repair to protect eyes from foreign objects that may be thrown from the snow thrower.
- Exercise extreme caution when operating on or crossing gravel drives, walks, or roads. Stay alert for hidden hazards or traffic.
- Do not put hands or feet near or under rotating parts. Keep clear of the discharge opening at all times.
- Exercise caution to avoid slipping or falling, especially when operating in reverse.
- Do not clear snow across the face of slopes. Exercise caution when changing direction on slopes. Do not attempt to clear steep slopes.
- Never operate the snow thrower without proper guards, plates or other safety protective devices in place.

SAFETY RULES

- Never operate the snow thrower near glass enclosures, automobiles, window wells, drop-offs, and the like without proper adjustment of the snow discharge angle. Keep children and pets away.
- Never operate the snow thrower at high transport speeds on slippery surfaces. Look behind and use care when backing.
- Never direct discharge at bystanders or allow anyone in front of the snow thrower.
- Do not run the engine indoors, except when starting the engine and for transporting the snow thrower in or out of the building. Open the outside doors; exhaust fumes are dangerous (containing CARBON MONOXIDE, an ODORLESS and DEADLY GAS).
- Take all possible precautions when leaving the snow thrower unattended. Disengage the auger/impeller, shift to neutral, stop engine, and remove key.
- Do not overload the machine capacity by attempting to clear snow at too fast a rate.

SAFE STORAGE

- Always refer to Owner's Manual instructions for important details if the snow thrower is to be stored for an extended period.
- Disengage power to the auger/impeller when snow thrower is transported or not in use.
- Never store the snow thrower with fuel in the fuel tank inside a building where ignition sources are present such as hot water and space heaters, clothes dryers, and the like. Allow the engine to cool before storing in any enclosure.

REPAIR/ADJUSTMENTS SAFETY

- After striking a foreign object, stop the engine (motor), remove the wire from the spark plug, disconnect the cord on electric motors, thoroughly inspect the snow thrower for any damage, and repair the damage before restarting and operating the snow thrower.
- If the snow thrower should start to vibrate abnormally, stop the engine (motor) and check immediately for the cause. Vibration is generally a warning of trouble.
- Stop the engine (motor) whenever you leave the operating position before unclogging the auger/impeller housing or discharge guide, and when making any repairs, adjustments, or inspections.
- When cleaning, repairing, or inspecting, make certain the auger/impeller and all moving parts have stopped. Disconnect the spark plug wire and keep the wire away from the plug to prevent accidental starting.
- Never attempt to make any adjustments while the engine is running (except when specifically recommended by manufacturer).
- Maintain or replace safety and instruction labels, as necessary.
- Run the snow thrower a few minutes after throwing snow to prevent freeze-up of the auger/impeller.



LOOK FOR THIS SYMBOL TO POINT OUT IMPORTANT SAFETY PRECAUTIONS. IT MEANS--ATTENTION!!! BECOME ALERT!!! YOUR SAFETY IS INVOLVED.

CONGRATULATIONS on your purchase of a Sears Craftsman Snow Thrower. It has been designed, engineered and manufactured to give you the best possible dependability and performance.

Should you experience any problem you cannot easily remedy, please contact your nearest Sears Service Center/Department. We have competent, well-trained technicians and the proper tools to service or repair this unit.

Please read and retain this manual. The instructions will enable you to assemble and maintain your snow thrower properly. Always observe the "SAFETY RULES."

MODEL
NUMBER 536.885910

SERIAL
NUMBER _____
DATE OF
PURCHASE _____

THE MODEL AND SERIAL NUMBERS WILL BE FOUND ON A DECAL ATTACHED TO THE REAR OF THE SNOW THROWER HOUSING.

YOU SHOULD RECORD BOTH SERIAL NUMBER AND DATE OF PURCHASE AND KEEP IN A SAFE PLACE FOR FUTURE REFERENCE.

PRODUCT SPECIFICATIONS

HORSE POWER:	8 hp
DISPLACEMENT:	19.43 cu. in.
GASOLINE CAPACITY:	4 quarts Unleaded
OIL (26 oz. Capacity):	10W-30 (5W - 30) *
SPARK PLUG : (GAP .030 in.)	Champion J8C
VALVE CLEARANCE:	Intake: .010 in. Exhaust: .010 in.

* S.A.E. 5W-30 motor oil may be used to make starting easier in areas where temperature is consistently 20° F. or lower.

MAINTENANCE AGREEMENT

A Sears Maintenance Agreement is available on this product. Contact your nearest Sears Store for details.

CUSTOMER RESPONSIBILITIES

- Read and observe the safety rules.
- Follow a regular schedule in maintaining, caring for and using your snow thrower.
- Follow the instructions under "Maintenance" and "Storage" sections of this owner's manual.

TWO YEAR LIMITED WARRANTY ON CRAFTSMAN SNOW THROWER

For two years from the date of purchase, when this Craftsman Snow Thrower is maintained, lubricated and tuned-up according to the instructions in the owner's manual, Sears will repair, free of charge, any defect in material and workmanship.

If this Craftsman Snow Thrower is used for commercial or rental purposes, this warranty applies for only 90 days from the date of purchase.

This warranty does not cover the following:

- Expendable items which become worn during normal use, such as spark plugs, tire chains, drive belts and shear pins.
- Repairs necessary because of operator abuse or negligence, including bent crankshafts and the failure to maintain the equipment according to the instructions contained in the owner's manual.

WARRANTY SERVICE IS AVAILABLE BY RETURNING THE CRAFTSMAN SNOW THROWER TO THE NEAREST SEARS SERVICE CENTER/DEPARTMENT IN THE UNITED STATES. THIS WARRANTY APPLIES ONLY WHILE THIS PRODUCT IS IN USE IN THE UNITED STATES.

This warranty gives you specific legal rights, and you may also have other rights which may vary from state to state.

SEARS, ROEBUCK AND CO. Department 731CR-W, Sears Tower, Chicago, IL 60684

TABLE OF CONTENTS

SAFETY RULES	2,3	MAINTENANCE	16-17
PRODUCT SPECIFICATIONS.....	4	SERVICE AND ADJUSTMENTS	18-24
CUSTOMER RESPONSIBILITIES.....	4	STORAGE	25
WARRANTY.....	4	SERVICE RECOMMENDATIONS	26
TABLE OF CONTENTS	5	TROUBLE SHOOTING	27
INDEX	5	REPAIR PARTS (SNOW THROWER)...	28-36
ASSEMBLY.....	6-9	REPAIR PARTS (ENGINE).....	37-40
OPERATION	10-15	PARTS ORDERING/SERVICE.....	Back Cover

INDEX

<p style="text-align: center;">A</p> <p>Adjustment:</p> <ul style="list-style-type: none"> Auger 19 Belt 19 Belt Guide 21 Cable 19 Carburetor 24 Friction Wheel 21 Spark Plug 24 Track 23 Traction and Auger 19 <p>Assembly:</p> <ul style="list-style-type: none"> Crank Assembly 8 Headlight 9 Shifter Lever 9 Skid Height Adjustment 7, 18 Unpacking 7 <p style="text-align: center;">B</p> <p>Belts:</p> <ul style="list-style-type: none"> Adjust Belts 19 Belt Guide Adjustment 21 Belt Maintenance 16 Replace Belts 20, 21 <p style="text-align: center;">C</p> <p>Cables, Clutch 7, 9, 19</p> <p>Carburetor: 24, 25</p> <p>Chain 16</p> <p>Choke 10, 11, 13</p> <p>Clutch, Levers 10, 11</p> <p>Controls:</p> <ul style="list-style-type: none"> Engine 10, 11, 13, 14 Snow Thrower 10 <p>Crank:</p> <ul style="list-style-type: none"> Adjusting Rod 8, 18 Assembly 8 Operation 11 <p>Customer Responsibilities 4</p> <p style="text-align: center;">D</p> <p>Drive, Auger 11</p> <p>Drive, Traction 11</p> <p>Deflector, Snow Chute 11</p> <p style="text-align: center;">E</p> <p>Engine:</p> <ul style="list-style-type: none"> Control 10, 11, 13, 14 Oil Cap 12, 17 Oil Change 17 Oil Level 12, 17 Oil Type 4, 12, 17 Speed Governor 24 Starting, Electrically 13 Starting, Manually 14 Storage 25 	<p style="text-align: center;">F</p> <p>Fuel, Type 4, 12</p> <p>Fuel, Storage 12, 25</p> <p>Friction Wheel:</p> <ul style="list-style-type: none"> Adjustment 21 Replacement 22 <p style="text-align: center;">G</p> <p>Gears:</p> <ul style="list-style-type: none"> Auger Gear Box 16, 17 Hex Shaft 16 <p style="text-align: center;">H</p> <p>Handle, Upper and Lower 7</p> <p>Headlight 9, 10</p> <p>Height Adjust Skids 7, 18</p> <p>Hex Shaft 16, 17</p> <p style="text-align: center;">I</p> <p>Ignition, Key 10, 11, 13, 14</p> <p>Index 5</p> <p style="text-align: center;">L</p> <p>Levers:</p> <ul style="list-style-type: none"> Auger Drive Clutch 7, 10, 11, 19 Choke 10, 11, 13, 14 Shifter 9, 10, 11 Throttle Control 10, 11, 13, 14 Traction Drive Clutch 7, 10, 11, 19 <p>Lubrication:</p> <ul style="list-style-type: none"> Auger Gear Box 17 Auger Shaft 16, 26 Chain and Sprockets 16, 26 Chart 26 Engine 12, 17 Hex Shaft and Gears 16 Weight Transfer System 12, 16 <p style="text-align: center;">M</p> <p>Maintenance:</p> <ul style="list-style-type: none"> Agreement 4 Auger Gear Box 17 Auger Shaft 16 Chain and sprockets 16 Engine 17 General Recommendations 16 Hex Shaft and Gears 16 Weight Transfer System 16 <p style="text-align: center;">O</p> <p>Oil:</p> <ul style="list-style-type: none"> Engine 4, 12, 17 Extreme Cold Weather 12, 17 Storage 25 Type 4, 12, 17 	<p>Operation:</p> <ul style="list-style-type: none"> Engine Controls 10, 11, 13, 14 Operating Snow Thrower 11, 12, 15 Operating Tips 15 Starting the Engine, Electric 13 Starting the Engine, Recoil 14 Snow Thrower Controls 10-12 Weight Transfer System 12 <p style="text-align: center;">P</p> <p>Parts 28-40</p> <p>Primer Button 10, 11, 13, 14</p> <p style="text-align: center;">R</p> <p>Repair/Replacement Parts 28-40</p> <p>Recoil Starter 14</p> <p>Replacements:</p> <ul style="list-style-type: none"> Auger Shear Bolt 23 Belts 20, 21 Friction Wheel 22 <p style="text-align: center;">S</p> <p>Safety Rules 2, 3</p> <p>Service and Adjustments:</p> <ul style="list-style-type: none"> Auger Housing Height 7, 18 Auger Shear Bolt 23 Belts 19-21 Belt Guide 21 Belt Replacements 20, 21 Cable 7, 9, 19 Carburetor 24, 25 Friction Wheel 21, 22 Spark Plug 24 Track 23 <p>Service Recommendations 26</p> <p>Spark Plug 17, 24</p> <p>Specifications 4</p> <p>Speed Governor 24</p> <p>Starting the Engine:</p> <ul style="list-style-type: none"> Electric Start 13 Recoil Start 14 Stopping the Engine 11, 13, 14 Stopping the Snow Thrower 11 Shipping Carton 6, 7 Skid Height 7, 18 Shifter Lever 9-11 Shear Bolts 23 Storage 25 <p style="text-align: center;">T</p> <p>Table of Contents 5</p> <p>Trouble Shooting Chart 27</p> <p>Tools for Assembly 6</p> <p>Traction Drive Belt 19, 21</p> <p>Track Adjustment 23</p> <p style="text-align: center;">W</p> <p>Warranty 4</p> <p>Weight Transfer System 12, 18</p>
---	--	--

ASSEMBLY

THIS SNOW THROWER IS EQUIPPED WITH "TRAC-PLUS" AND ONLY MOVES EFFECTIVELY WHEN ENGINE IS RUNNING

If your snow thrower must be moved without the aid of the engine, it will be easier to pull the snow thrower backward by the handles, rather than pushing.

On start up, the track drive system may be tight and will loosen up as the snow thrower is used. After first use, check the track for tension and adjust if necessary. See the Track Adjustment paragraph in the Service and Adjustments section of this manual. Check track adjustment and fasteners regularly.

CONTENTS OF SHIPPING CARTON

1 - Snow thrower completely assembled except for the crank assembly, shifter lever assembly and knob, and the upper handle, which is in the folded down position.

1 - Parts Bag Containing:

1 - Owner's Manual (Not Shown)

1 - Electric Starter Cord 9.5 Ft (not shown)

Parts Shown Below:

TOOLS REQUIRED FOR ASSEMBLY

1 - Knife (to cut carton and plastic ties)

2 - 1/2 inch Wrenches (or adjustable wrenches)

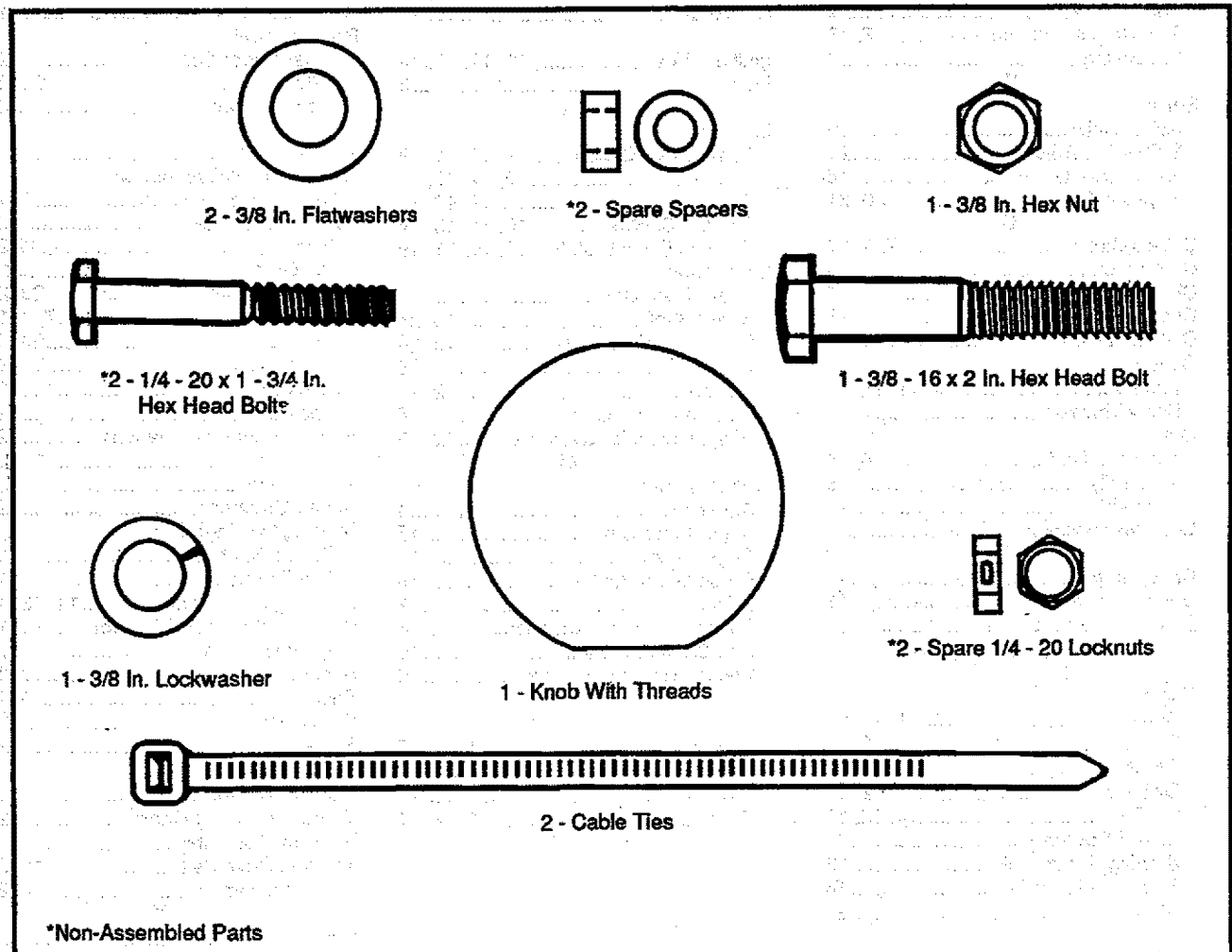
2 - 9/16 inch Wrenches (or adjustable wrenches)

2 - 3/4 inch Wrenches (or adjustable wrenches)

1 - Pair Pliers (to spread cotter pin)

1 - Screwdriver

CONTENTS OF PARTS BAG



ASSEMBLY

Figure 1 shows the snow thrower in the shipping position. Figure 2 shows the snow thrower completely assembled. Reference to the right and left hand side of the snow thrower is from the operator's position at the handle.

TO REMOVE SNOW THROWER FROM CARTON (See Fig 1)

- Remove top pallet and discard.
- Cut all four corners of the carton from top to bottom and lay the panels flat.
- Cut the cable ties attached to the auger.
- Cut and discard the plastic ties that secure the crank assembly and place the assembly aside.
- Remove the packing material from the control panel.
- Cut and discard the packing securing the clutch cables to the lower handle.
- With two 9/16 inch wrenches, loosen (do not remove) both bolts securing the upper and lower handles. Swing the upper handle into the operating position.

NOTE: If the cables have become disconnected from the clutch levers, reinstall the cables as shown in Figure 3.

- Tighten both bolts securely.
- Roll the snow thrower off the skid by pulling on the handle.

NOTE: This snow thrower is equipped with a track drive and can be hard to push when the engine is not running. It is easier to pull the snow thrower backward if it must be moved without the engine running.

The drive system may be tight when you first use your snow thrower. It loosens up as you use it.

HOW TO SET UP YOUR SNOW THROWER

- For packing, the height adjust skids were mounted with the bottom lip turned inward. Remove skid mounting nuts (Fig. 2) and remount with the lip outward.
- To adjust the skid height for different conditions, see To Adjust Skids Heights paragraph on page 18.

CAUTION: IF YOU ARE REMOVING SNOW FROM ANY ROCKY OR UNEVEN SURFACES, RAISE THE FRONT OF THE SNOW THROWER BY MOVING THE SKIDS DOWN. THIS WILL HELP TO PREVENT ROCKS AND OTHER DEBRIS FROM BEING PICKED UP AND THROWN BY THE AUGER.

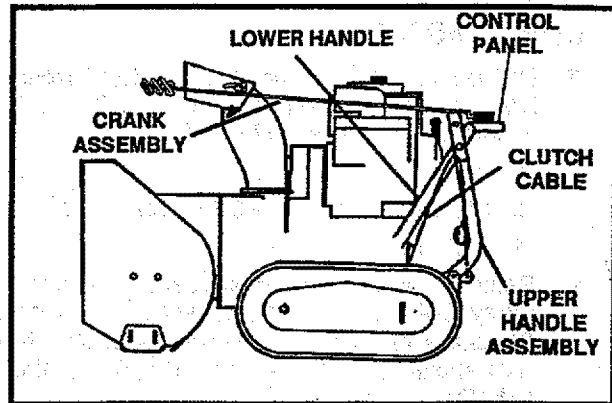


FIG. 1

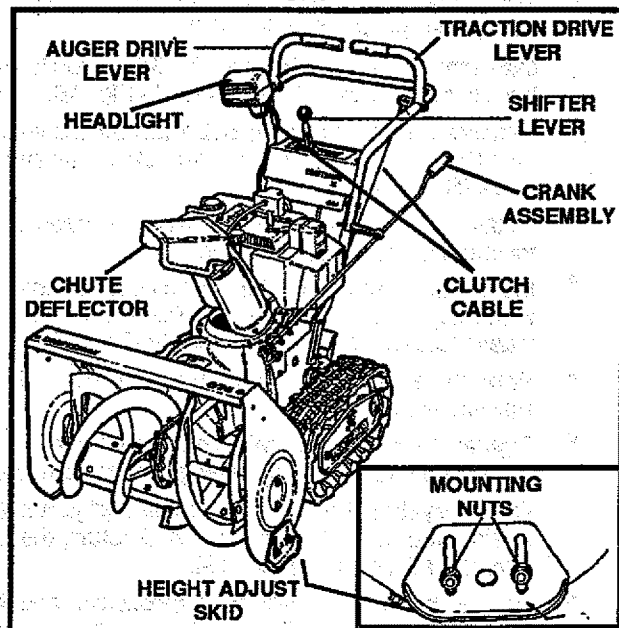


FIG. 2

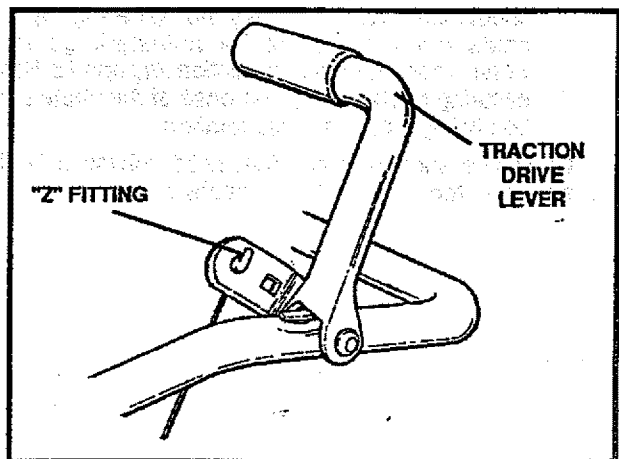


FIG. 3

ASSEMBLY

TO INSTALL THE UPPER HANDLE AND CRANK ASSEMBLY

- On the right side of the handle, install and secure the following parts (found in parts bag) in the lower handle hole as shown in Fig. 4A:
 - 1 - 3/8" x 2" bolt
 - 2 - 3/8" flatwashers & 1 - 3/8" lockwasher
 - 1 - 3/8" nut
- Remove the 3/8" nylon locknut and flatwasher from the eye bolt assembly (on the chute crank assembly). Check the tightness of the two 3/8" jam nuts. The jam nuts should be 3 inches from the end of the eye bolt (Fig. 4B inset).
- Install eye bolt through lower hole on the left hand side of the handle (See Fig. 4B).
- Install the 3/8" flatwasher and the 3/8" nylon locknut loosely on the eye bolt as shown in Fig. 4B.
- Remove the plastic cap, the cotter pin and the washer from the wormed end of the crank assembly and set aside (See Fig. 5).
- Rotate the notched section of the discharge chute toward the crank-adjusting rod.
- Install the wormed end of the crank through the hole in the adjusting rod and secure the end with the flat washer and cotter pin, as shown in Fig. 5.
- Bend the ends of the cotter pin around the rod and reinstall the plastic cap.
- Tighten the eye bolt installed earlier, keeping eye in line with the rod while tightening the inside nut.
- On the eyebolt, tighten the outside 3/8" jam nut up against the other 3/8" jam nut and return the boot over the adapter (See Fig. 4B).
- Rotate the chute crank fully clockwise and fully counter-clockwise. The discharge chute should rotate fully to the outer diameter of the worm and should clear approximately 1/8" (see Fig. 5). If the chute crank needs to be adjusted, go to the Service and Adjustments section on page 18. Screws securing chute clips at the base of the chute should be slightly loose for easy rotation.

NOTE: Be sure the crank does not touch the side of the engine or the cover will be scratched.

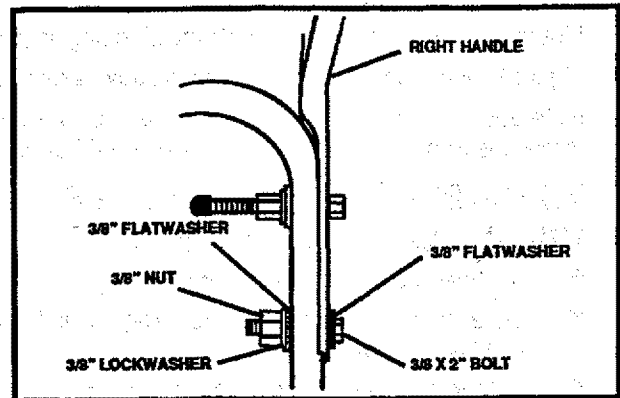


FIG. 4A

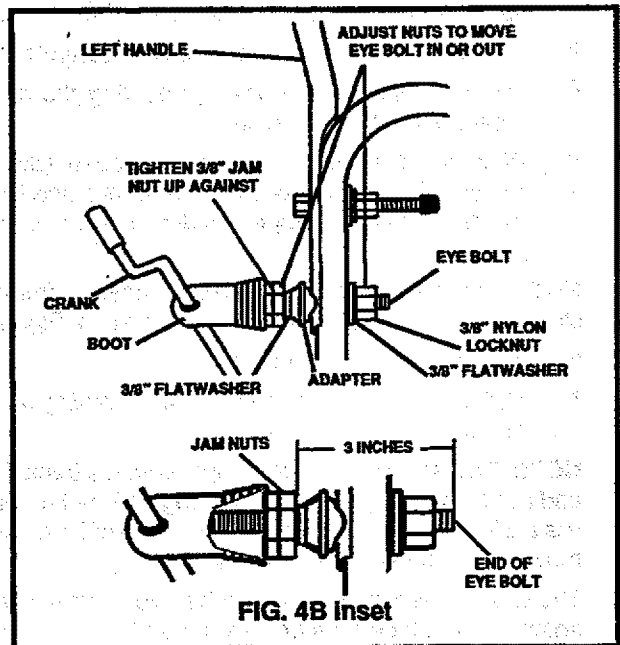


FIG. 4B Inset

FIG. 4B

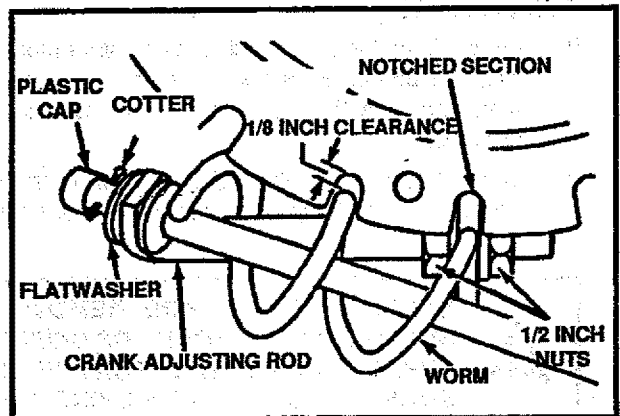


FIG. 5

ASSEMBLY

TO INSTALL HEADLIGHT

The headlight is mounted on the right side of the upper handle. It is installed upside down for shipping purposes.

- Remove the nut on the pivot bolt (Fig. 5A), place headlight in correct position (as shown in Fig. 5B and in Fig 2), and retighten nut.
- Tie the headlight cable to upper and lower handles with the plastic cable ties supplied in the parts bag by threading the pointed ends of each tie through the square end and pulling tightly around the headlight cable and the handle.

NOTE: One side of the plastic tie has small notches in it, while the other side is smooth. The notched side must be on the inside of the loop which is formed when the ends are put together.

- Try to loosen the cable tie. If it can be loosened, it has been attached with the smooth side on the inside of the loop. Remove the cable tie and reverse its direction.
- Cut off excess plastic tie.

TO INSTALL THE SHIFTER LEVER

- Stand the snow thrower up on the front of the auger housing, as shown in Figure 6A.
- Cut the plastic tie which holds the shifter lever assembly to the shift bracket (Fig. 6B).
- Remove the locknut, washer, spring and bolt (Figure 6D).
- Reposition the shifter lever into the slot in the control panel, as shown in Fig. 6C, and reinstall the bolt, spring, washer and the locknut.
- Tighten the locknut until $1/8"$ to $3/16"$ (2 or 3 threads) of the bolt protrude past the locknut.
- Thread the shifter lever knob onto the threaded end of the shifter lever until it is tight (Fig. 6D).
- Move the shifter lever through all the speeds to ensure proper tension of the spring. If the shifter lever sticks in any of the notches, loosen the locknut $1/4$ turn at a time until the shifter lever moves freely.
- Return the snow thrower to the normal operating position.

TO CHECK/ADJUST CLUTCH CONTROL CABLES

The control cables attached to the auger clutch lever and traction clutch lever may need to be adjusted before you use your snow thrower.

For instructions on checking or adjusting the control cables, see To Adjust Clutch Control Cables paragraph on page 19.

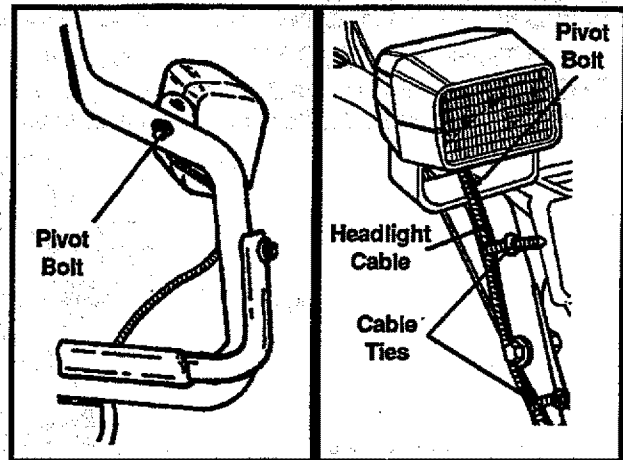


FIG. 5A

FIG. 5B

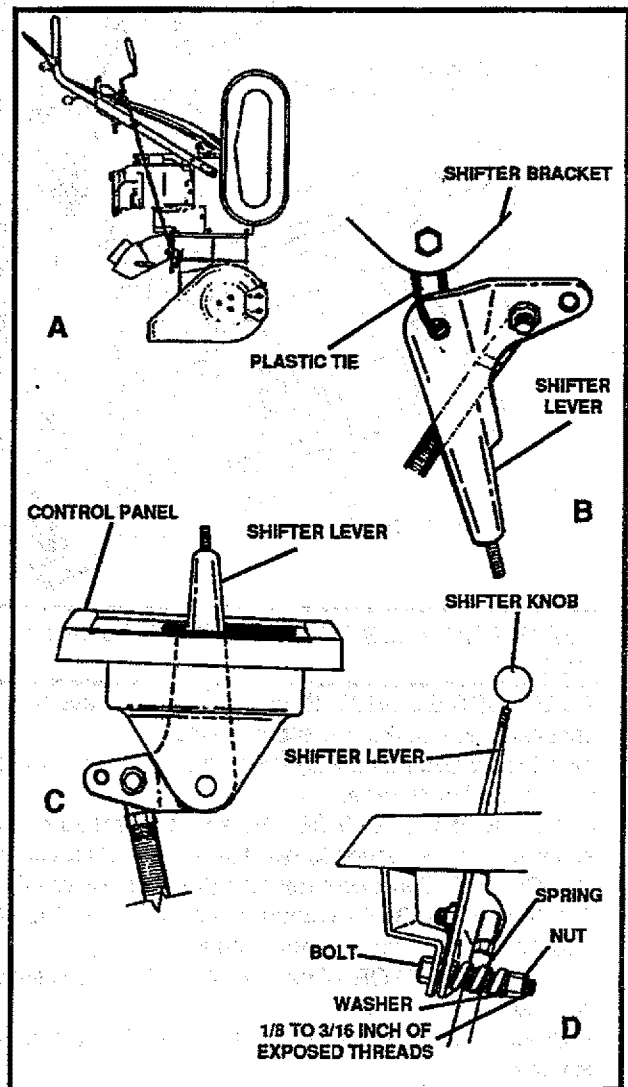


FIG. 6

OPERATION

KNOW YOUR SNOW THROWER

READ THIS OWNER'S MANUAL AND SAFETY RULES BEFORE OPERATING YOUR SNOW THROWER. Compare the illustrations with your snow thrower to familiarize yourself with the location of various controls and adjustments. Save this manual for future reference

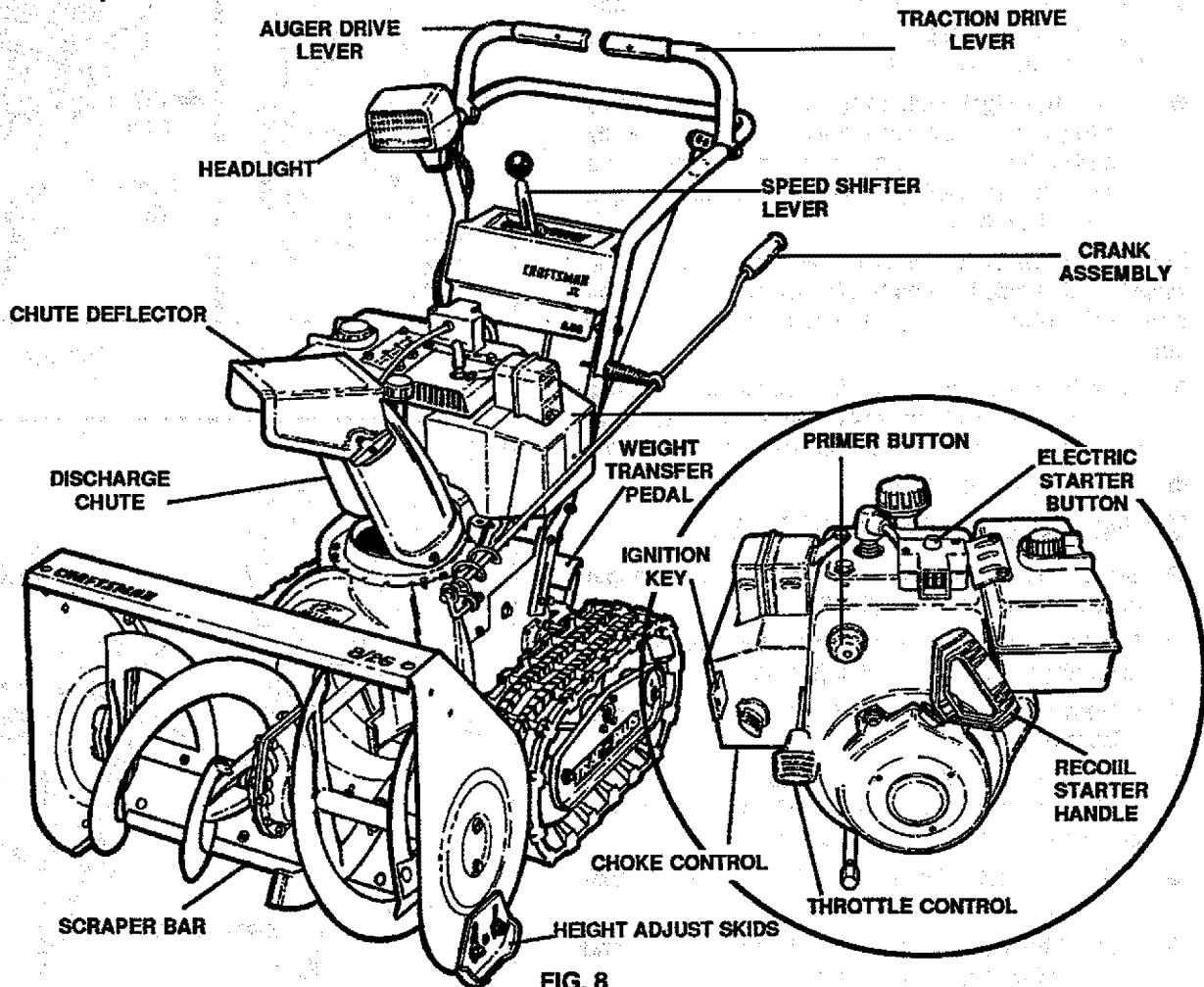


FIG. 8

SEARS TRAC-PLUS SNOW THROWERS conform to the safety standards of the American National Standards Institute.

AUGER DRIVE LEVER - Starts and stops the auger and impeller (snow gathering and throwing).

TRACTION DRIVE LEVER - Propels the snow thrower forward and in reverse.

SPEED SHIFTER LEVER - Selects the speed of the snow thrower (6 speeds forward and 2 speeds reverse).

HEADLIGHT - Turns on whenever the engine is running.

CRANK ASSEMBLY - Changes the direction of snow throwing through the discharge chute.

CHUTE DEFLECTOR - Changes the distance the snow is thrown.

DISCHARGE CHUTE - Changes the direction the snow is thrown.

WEIGHT TRANSFER PEDAL - Engage for heavy snow

conditions, to keep the snow thrower from climbing drifts and hard-packed snow. When released, it eases transport of the snow thrower.

HEIGHT ADJUST SKIDS - Adjusts the ground clearance of the auger housing.

IGNITION KEY - Must be inserted to start the engine.

ELECTRIC STARTER BUTTON - Used to start the engine using the 120 V electric starter.

RECOIL STARTER HANDLE - Starts the engine manually.

CHOKER CONTROL - Used to start a cold engine.

PRIMER BUTTON - Injects fuel directly into the carburetor manifold for fast starts in cold weather.

THROTTLE CONTROL - Controls the engine speed.

OPERATION



The operation of any snow thrower can result in foreign objects being thrown into the eyes, which can result in severe eye damage. Always wear safety glasses or eye shields while operating the snow thrower.

We recommend standard safety glasses or wide vision safety mask for over your glasses available at SEARS Retail or Catalog Stores.

HOW TO USE YOUR SNOW THROWER

TO CONTROL SNOW DISCHARGE

- Turn the crank assembly to set the **direction** of the snow throwing.
- Loosen the wing knob on the chute deflector and move the deflector to set the **distance**. Move the deflector **UP** for more distance, **DOWN** for less distance. Then tighten the wing knob (Fig. 9).

TO STOP YOUR SNOW THROWER

- To stop throwing snow, release the auger drive lever (See Fig. 11).
- To stop the track, release the traction drive lever.
- To stop the engine, push the throttle control lever to off and pull out the ignition key (See Fig. 10).

TO MOVE FORWARD AND BACKWARD

- To shift, release the traction drive lever and move the speed shifter lever to the speed you desire. Ground speed is determined by snow conditions. Select the speed you desire by moving the speed shifter lever into the appropriate colored area on the control panel.

Red - Wet, Heavy, Slushy, Extra Deep

Amber - Moderate

White - Very Light

Green - Transport only

- Engage the traction drive lever (See Fig 11, left hand). As the snow thrower starts to move, maintain a firm hold on the handles, and guide the snow thrower along the clearing path. Do not attempt to push the snow thrower.
- To move the snow thrower backward, move the speed shifter lever into first or second reverse and engage the traction drive lever (left hand).

IMPORTANT: DO NOT MOVE THE SPEED SHIFTER LEVER WHILE THE TRACTION LEVER IS DOWN.

TO THROW SNOW

- Push down the auger drive lever (See Fig. 11, right hand).
- Release to stop throwing snow.

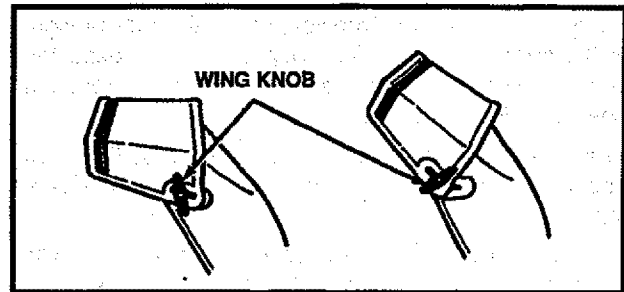


FIG. 9

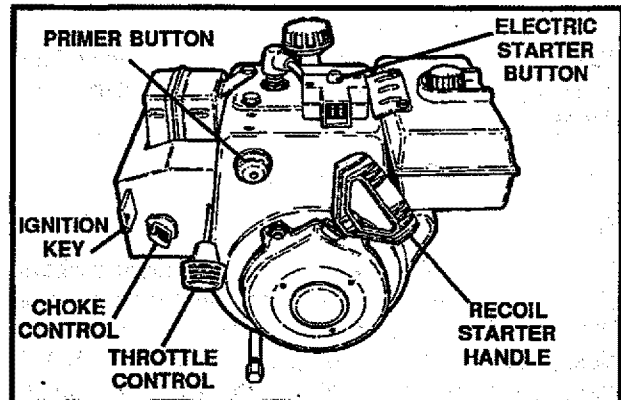


FIG. 10

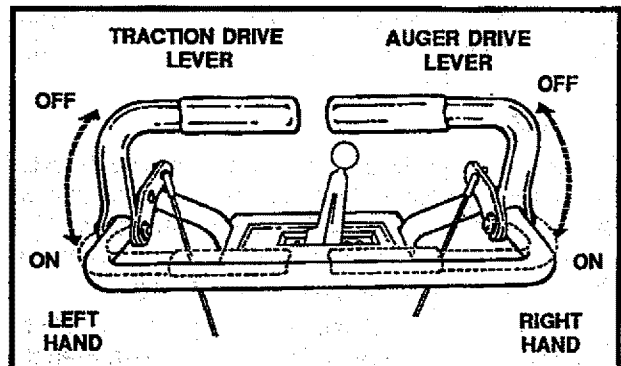


FIG. 11



CAUTION: READ OWNER'S MANUAL BEFORE OPERATING MACHINE. NEVER DIRECT DISCHARGE TOWARD BYSTANDERS. STOP THE ENGINE BEFORE UNCLOGGING DISCHARGE CHUTE OR AUGER HOUSING AND BEFORE LEAVING THE MACHINE.

OPERATION

TO USE WEIGHT TRANSFER SYSTEM

In hard packed or heavy snow conditions, conventional snow throwers tend to ride up and leave uneven mounds of snow behind. For these conditions, your new tracked snow thrower has a unique weight transfer system (See Fig. 12) designed to minimize ride-up.

Stepping on the weight transfer pedal shifts more weight to the auger housing. This weight transfer keeps the snow thrower in contact with the ground and reduces ride-up on ice and snow.

In lighter snow conditions or when transporting, you should release the weight transfer system for easier steering.

- To use the weight transfer, hold the upper handle firmly and push down on the weight transfer pedal (See Fig. 12) with the ball of your foot.
- To release, pull up on the weight transfer pedal with the top of your foot.

NOTE: The weight transfer system will not work if the auger housing height adjust skids are adjusted to the highest position.

BEFORE STARTING THE ENGINE

FILL/ ADD OIL:

The engine on this snow thrower was shipped **without oil**. Add oil before you start the engine. Remove the oil fill cap/dipstick and fill the crank case to **FULL** line on dipstick (about 26 ounces) (See Fig. 13) with S.A.E. 10W-30 motor oil (or equivalent). **Do not overfill**. Tighten the fill cap/dipstick securely each time you check the oil level.

NOTE: S.A.E. 5W-30 motor oil may be used to make starting easier in areas where temperature is consistently 20° F. or lower.

FILL GAS:

WARNING: Experience indicates that alcohol blended fuels (called gasohol or those using ethanol or methanol) can attract moisture which leads to separation and formation of acids during storage. Acidic gas can damage the fuel system of an engine while in storage.

To avoid engine problems, the fuel system should be emptied before storage for 30 days or longer. Start the engine and let it run until the fuel lines and carburetor are empty. Use the carburetor bowl drain to empty residual gasoline from the float chamber (Fig. 42). Use fresh fuel next season. (See Storage instructions on page 25 for additional information.)

Never use engine or carburetor cleaner products in the fuel tank or permanent damage may occur.

Fill the fuel tank with clean, fresh, unleaded grade automotive gasoline. Be sure that the container you pour the

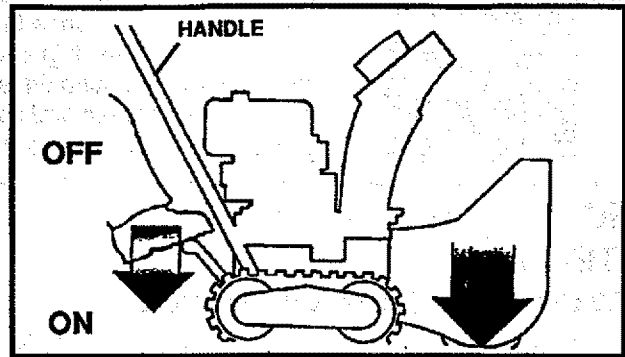


FIG.12

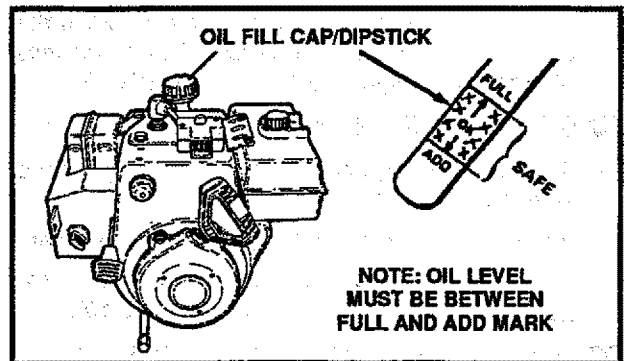


FIG.13

gasoline from is clean and free from rust or other foreign particles. Never use gasoline that may be stale from long periods of storage in the container.



CAUTION: GASOLINE IS FLAMMABLE AND CAUTION MUST BE USED WHEN HANDLING OR STORING IT.

DO NOT FILL FUEL TANK WHILE SNOW THROWER IS RUNNING, WHEN IT IS HOT, OR WHEN SNOW THROWER IS IN AN ENCLOSED AREA.

KEEP AWAY FROM OPEN FLAME OR AN ELECTRICAL SPARK AND DO NOT SMOKE WHILE FILLING THE FUEL TANK.

NEVER FILL THE TANK COMPLETELY. FILL THE TANK TO WITHIN 1/4" - 1/2" FROM THE TOP TO PROVIDE SPACE FOR EXPANSION OF FUEL.

ALWAYS FILL FUEL TANK OUTDOORS AND USE A FUNNEL OR SPOUT TO PREVENT SPILLING.

MAKE SURE TO WIPE UP ANY SPILLED FUEL BEFORE STARTING THE ENGINE.

STORE GASOLINE IN A CLEAN, APPROVED CONTAINER AND KEEP THE CAP IN PLACE ON THE CONTAINER.

OPERATION

TO STOP ENGINE

- To stop engine, move the throttle control lever to STOP position and remove key. Keep the key in a safe place. The engine will not start without the key.

TO START ENGINE (Electric Starter)

Be sure that the engine has sufficient oil. The snow thrower engine is equipped with a 120 volt A.C. electric starter and recoil starter. Before starting the engine, be certain that you have read the following information:

COLD START (See Fig. 14)

- Be sure the auger drive and traction drive levers are in the disengaged RELEASED position.
- Move the throttle control up to RUN position.
- Remove the keys from the plastic bag. Insert one key into the ignition slot. Be sure it snaps into place. DO NOT TURN KEY. Keep the second key in a safe place.
- Rotate the choke knob to FULL choke position.
- Connect the power cord to the switch box on the engine.
- Plug the other end of the power cord into a three-hole, grounded 120 volt A.C. receptacle.
- Press the primer button in cold weather. Press two or three times while keeping your finger over the vent hole on the primer button. Additional priming may be necessary for the first start if the temperature is below 15° F.
- Push down on the starter button until the engine starts. Do not crank for more than 10 seconds at a time. This electric starter is thermally protected. If overheated it will stop automatically and can be restarted only when it has cooled to a safe temperature (a wait of about 5 to 10 minutes is required).
- When the engine starts, release the starter button and slowly rotate the choke to OFF position. If the engine falters, rotate the choke to FULL and then gradually to OFF.
- Disconnect the power cord from the receptacle first and then from switch box on engine.

NOTE: Allow the engine to warm up for a few minutes because the engine will not develop full power until it reaches operating temperature.

- Run the engine at full throttle RUN when throwing snow.

WARM START

If restarting a warm engine after a short shutdown, leave choke at OFF and do not push the primer button.

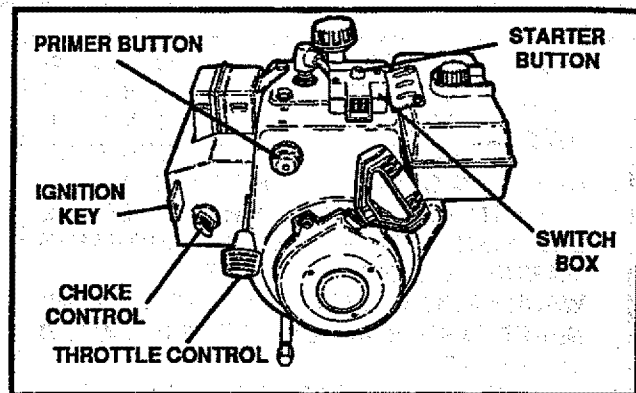


FIG.14



CAUTION: THIS STARTER IS EQUIPPED WITH A THREE-WIRE POWER CORD AND PLUG AND IS DESIGNED TO OPERATE ON 120 VOLT AC HOUSEHOLD CURRENT. IT MUST BE PROPERLY GROUNDED AT ALL TIMES TO AVOID THE POSSIBILITY OF ELECTRICAL SHOCK, WHICH MAY BE INJURIOUS TO OPERATOR. FOLLOW ALL INSTRUCTIONS CAREFULLY AS SET FORTH IN THE "TO START ENGINE" SECTION. DETERMINE THAT YOUR HOUSE WIRING IS A THREE-WIRE GROUNDED SYSTEM. ASK A LICENSED ELECTRICIAN IF YOU ARE NOT SURE. IF YOUR HOUSE WIRE SYSTEM IS NOT A THREE-WIRE SYSTEM, DO NOT USE THIS ELECTRIC STARTER UNDER ANY CONDITIONS. IF YOUR SYSTEM IS GROUNDED AND A THREE-HOLE RECEPTACLE IS NOT AVAILABLE AT THE POINT YOUR STARTER WILL NORMALLY BE USED, ONE SHOULD BE INSTALLED BY A LICENSED ELECTRICIAN.

WHEN CONNECTING 120 VOLT AC POWER CORD, ALWAYS CONNECT THE CORD TO THE SWITCH BOX ON THE ENGINE FIRST, THEN PLUG THE OTHER END INTO THE THREE-HOLE GROUNDED RECEPTACLE.

WHEN DISCONNECTING POWER CORD, ALWAYS UNPLUG THE END IN THE THREE-HOLE GROUNDED RECEPTACLE FIRST.

OPERATION



CAUTION: NEVER RUN ENGINE INDOORS OR IN ENCLOSED, POORLY VENTILATED AREAS. ENGINE EXHAUST CONTAINS CARBON MONOXIDE, AN ODORLESS AND DEADLY GAS. KEEP HANDS, FEET, HAIR AND LOOSE CLOTHING AWAY FROM ANY MOVING PARTS ON ENGINE AND SNOW THROWER.

WARNING: TEMPERATURE OF MUFFLER AND NEARBY AREAS MAY EXCEED 150° F. AVOID THESE AREAS.

DO NOT ALLOW CHILDREN OR YOUNG TEENAGERS TO OPERATE OR BE NEAR SNOW THROWER WHILE IT IS OPERATING.

TO STOP ENGINE

- To stop engine, move the throttle control lever to STOP position and remove key. Keep the key in a safe place. The engine will not start without the key.

TO START ENGINE (Recoil Starter)

Be sure that the engine has sufficient oil. Before starting the engine, be certain that you have read the following information:

COLD START (See Fig. 15)

- Be sure the auger drive and the traction drive levers are in the disengaged RELEASED position.
- Move the throttle control up to RUN position.
- Push the key into the ignition slot. Be sure it snaps into place. Do not turn key. Remove the plastic bag and extra key.
- Rotate choke control to FULL choke position.
- Press the primer button in cold weather. Press two or three times, while keeping your finger over the vent hole on the primer button. Additional priming may be necessary for the first start if the temperature is below 15° F.
- Pull the starter handle rapidly. Do not allow the handle to snap back, but allow it to rewind slowly while keeping a firm hold on the starter handle.
- As the engine warms up and begins to operate evenly, rotate the choke knob slowly to OFF position. If the engine falters, return to FULL choke, then slowly move to OFF choke position.

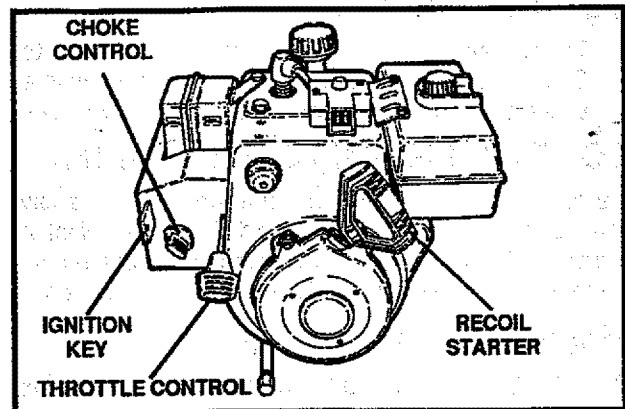


FIG.15

NOTE: Allow the engine to warm up for a few minutes because the engine will not develop full power until it reaches operating temperature.

- Run the engine at or near the top speed when throwing snow.

WARM START

If restarting a warm engine after a short shutdown, rotate choke to OFF instead of FULL and do not push the primer button.

FROZEN RECOIL STARTER

If the starter is frozen and will not turn engine:

- Pull as much rope out of the starter as possible.
- Release the starter handle and let it snap back against the starter.

If the engine still fails to start, repeat. If continued attempts do not free starter, follow the electric starter procedures to start.

To help prevent possible freeze-up of recoil starter and engine controls, proceed as follows after each snow removal job.

- **With the engine running**, pull the starter rope hard with a continuous full arm stroke three or four times. Pulling of starter rope will produce a loud clattering sound. This is not harmful to the engine or starter.
- **With the engine not running**, wipe all snow and moisture from the carburetor cover in area of control levers. Also move throttle control, choke control, and starter handle several times.

OPERATION

SNOW THROWING TIPS

- For maximum snow thrower efficiency, adjust ground speed, not throttle. If the track slips, reduce forward speed. The engine is designed to deliver maximum performance at full throttle and should be run at this power setting at all times.
- Most efficient snow blowing is accomplished when the snow is removed immediately after it falls.
- For complete snow removal, slightly overlap each path previously taken.
- The snow should be discharged down wind whenever possible.
- For normal usage, set the skids so that the scraper bar is 1/8" above the skids. For extremely hard-packed snow surfaces, adjust the skids upward so that the scraper bar touches the ground.
- On gravel or crushed rock surfaces, set the skids at 1-1/4" below the scraper bar (see To Adjust Skids Height paragraph on page 18). Rocks and gravel must not be picked up and thrown by the machine.
- If the front of the snow thrower has a tendency to raise, reduce the ground speed and engage the weight transfer system.
- After the snow blowing job has been completed, allow the engine to idle for a few minutes, which will melt snow and accumulated ice off the engine.
- Clean the snow thrower thoroughly after each use.
- Remove ice and snow accumulation and all debris from the entire snow thrower, and flush with water (if possible) to remove all salt or other chemicals. Wipe snow thrower dry.



CAUTION: DO NOT ATTEMPT TO REMOVE ANY ITEM THAT MAY BECOME LODGED IN AUGER WITHOUT TAKING THE FOLLOWING PRECAUTIONS:

- **RELEASE AUGER DRIVE AND TRACTION DRIVE LEVERS.**
- **MOVE THROTTLE LEVER TO STOP POSITION.**
- **REMOVE (DO NOT TURN) IGNITION KEY.**
- **DISCONNECT SPARK PLUG WIRE.**
- **DO NOT PLACE YOUR HANDS IN THE AUGER OR DISCHARGE CHUTE. USE A PRY BAR.**

MAINTENANCE

GENERAL RECOMMENDATIONS

The warranty on this snow thrower does not cover items that have been subjected to operator abuse or negligence. To receive full value from the warranty, operator must maintain snow thrower as instructed in this manual. Some adjustments will need to be made periodically to properly maintain your snow thrower.

All adjustments in the Service and Adjustments section of this manual should be checked at least once each season.

AFTER FIRST USE

- Check the tracks for tension and adjust if necessary (See To Adjust Track paragraph on page 23). Check the track adjustment and fasteners regularly.
- Be sure that all fasteners are tight.

AS REQUIRED

The following adjustments should be performed more than once each season.

- Auger and Track Drive Belts should be adjusted after the first 2 to 4 hours of use and again about mid-season and twice each season thereafter. See To Adjust Belts paragraph on page 19.
- All screws and nuts should be checked often to make sure they are tight, preferably after each use.

SNOW THROWER

LUBRICATION - EVERY TEN HOURS

- Chain and Sprockets - Oil chains and sprockets (See Fig. 16) with 10W-30 oil (or equivalent) after 10 hours use and at the end of each season.
- Weight Transfer System - Coat weight transfer plate (See Fig. 17) with clinging type grease, such as lubriplate, every ten (10) hours and before storage.
- Auger Shaft - Using a hand grease gun, lubricate the auger shaft zerk fittings (See A, Fig. 18) every ten (10) operating hours. Each time a shear bolt is replaced (see To Replace Auger Shear Bolt paragraph on page 23), the auger shaft MUST be greased.
- For storage or when replacing shear bolts, remove shear bolts and lubricate auger shaft zerks. Rotate augers several times on the shaft and reinstall the shear bolts.

LUBRICATION - NOT REQUIRED

- Hex Shaft and Gears - Hex shaft and gears require no lubrication. All bearings and bushings are lifetime lubricated and require no maintenance (See Fig. 19).

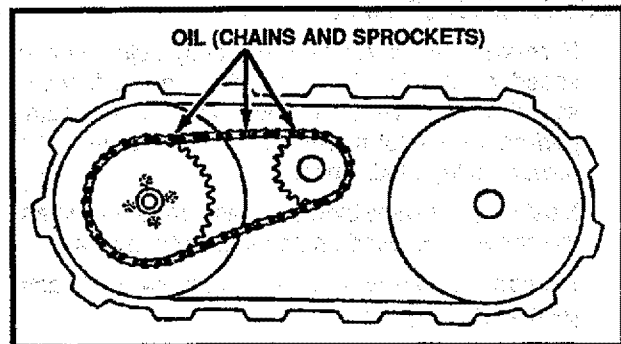


FIG. 16

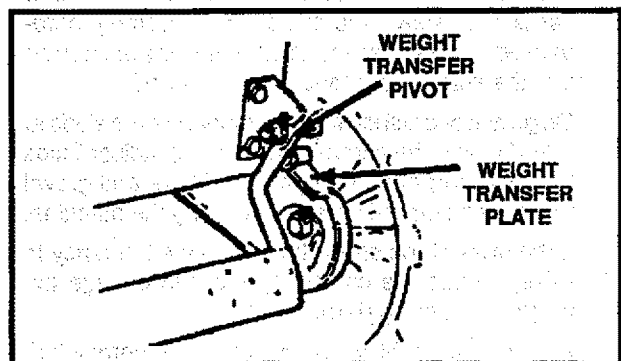


FIG. 17

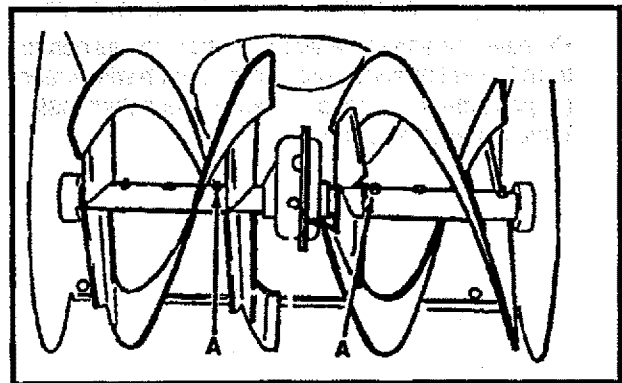


FIG. 18

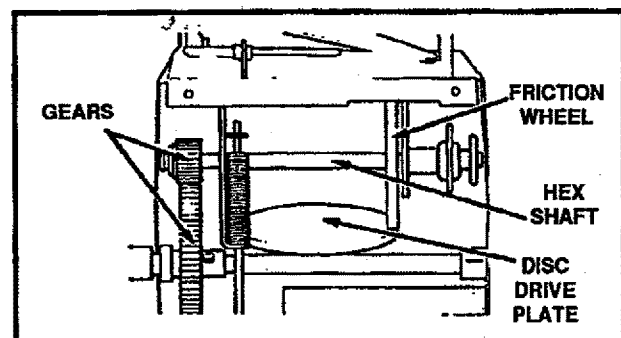


FIG. 19

MAINTENANCE

NOTE: Any greasing or oiling of the above components can cause contamination of the friction wheel. If the disc drive plate or friction wheel come in contact with grease or oil, damage to the friction wheel will result.

Should grease or oil come in contact with the disc drive plate or friction wheel, be sure to clean the plate and wheel thoroughly.

NOTE: For storage, the hex shaft and gears should be wiped with 10W-30 motor oil to prevent rusting (See Fig. 19).

- Auger Gear Box - The auger gear box has been factory lubricated for life. If for some reason lubricant should leak out, have auger gear case checked by a competent repairman.

ENGINE

LUBRICATION

Check the crankcase oil level (See Fig. 20) before starting the engine and after each five (5) hours of continuous use. Add S.A.E. 10W-30 motor oil or equivalent. Tighten fill cap/dipstick securely each time you check the oil level. S.A.E. 5W-30 motor oil may be used to make starting easier in areas where temperature is consistently 20° F. or lower.

Change the oil after first two hours of operation and every 25 hours thereafter or at least once a year if the snow thrower is not used for 25 hours (See Fig. 21).

- Position snow thrower so that the oil drain plug is lowest point on the engine. Remove oil drain plug and oil fill cap/dipstick. Drain oil into a suitable container. Oil will drain more freely when warm.
- Replace oil drain plug and tighten securely. Refill crankcase with S.A.E. 10W-30 motor oil (or equivalent). S.A.E. 5W-30 motor oil may be used to make starting easier in areas where temperature is consistently 20° F. or lower.

SPARK PLUG

- Make sure that the spark plug is tightened securely into the engine and the spark plug wire is attached to the spark plug.
- If a torque wrench is available, torque plug to 18 to 23 foot pounds.
- Clean the area around the spark plug base before removal to prevent dirt from entering the engine.
- Clean the spark plug and reset the gap periodically.

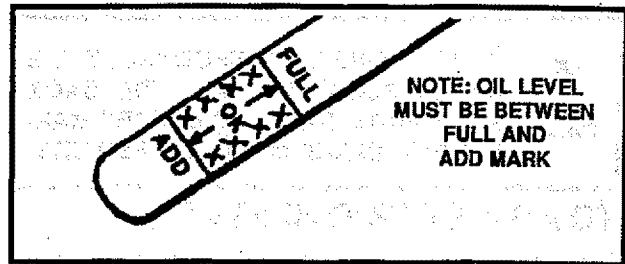


FIG. 20

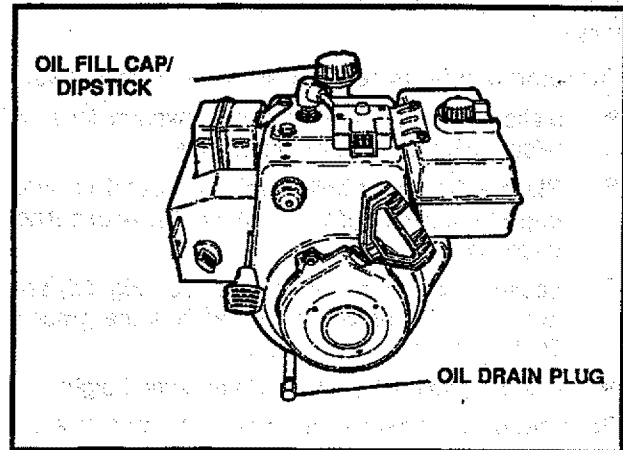


FIG. 21

SERVICE AND ADJUSTMENTS



CAUTION: ALWAYS DISCONNECT THE SPARK PLUG WIRE AND TIE BACK AWAY FROM THE PLUG BEFORE MAKING ANY ADJUSTMENTS OR REPAIRS.

TO ADJUST SKID HEIGHT

This snow thrower is equipped with two height adjustment skids, located on the outside of the auger housing (See Fig. 22). These skids elevate the front of the snow thrower.

For normal hard surfaces, adjust the skids as follows:

- Make sure the weight transfer system lever is released by lifting up on the handle.
- Place extra shear bolts supplied (found in parts bag) under each end of the scraper bar near but not under the skid.
- Loosen the skid mounting nuts (See Fig. 22) and push the skid down until it touches the ground. Retighten the mounting nuts.
- Set the skid on the other side at same height.

For rocky or uneven surfaces, raise the front of the snow thrower by moving the skids down further. This will help prevent rocks and other debris from being picked up and thrown by the auger.

NOTE: If the skids are at the maximum height, the weight transfer system will not work.

TO ADJUST SCRAPER BAR

After considerable use, the metal scraper bar will have a definite wear pattern. The scraper bar in conjunction with the skids should always be adjusted to allow 1/8" between the scraper bar and the sidewalk or area to be cleaned.

- Position the snow thrower on a level surface.
- Loosen the carriage bolts and nuts securing the scraper bar to the auger housing.
- Adjust the scraper bar to the proper position.
- Tighten the carriage bolts and nuts, making sure that the scraper bar is parallel with the working surface.



CAUTION: BE CERTAIN TO MAINTAIN PROPER GROUND CLEARANCE FOR YOUR PARTICULAR AREA TO BE CLEARED. OBJECTS SUCH AS GRAVEL, ROCKS OR OTHER DEBRIS, IF STRUCK BY THE IMPELLER, MAY BE THROWN WITH SUFFICIENT FORCE TO CAUSE PERSONAL INJURY, PROPERTY DAMAGE OR DAMAGE TO THE SNOW THROWER.

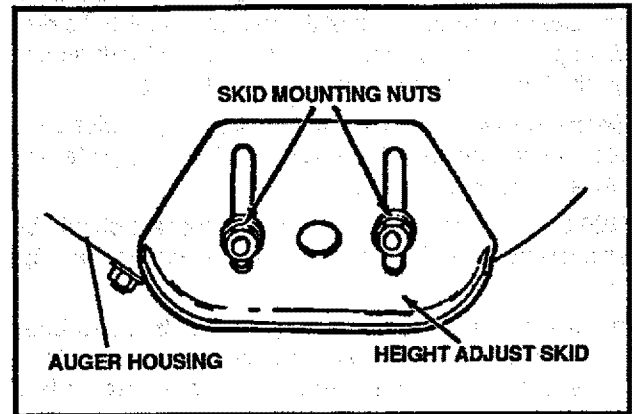


FIG. 22

- After extended operation, the scraper bar may be reversed. If the scraper bar must be replaced due to wear, remove the carriage bolts and nuts and install a new scraper bar.

TO ADJUST CHUTE CRANK ASSEMBLY

If you cannot rotate the chute crank fully to the left and to the right, you need to adjust the chute crank (See Fig. 23).

- Loosen both 1/2" nuts on the crank adjusting rod (using 3/4" wrenches).
- Rotate the adjusting rod in or out to allow about 1/8" clearance between the notch in the flange and the outer diameter of the worm.
- Once this clearance is set, tighten the nuts.

NOTE: Be sure the crank does not touch the side of the engine or the cover will be scratched.

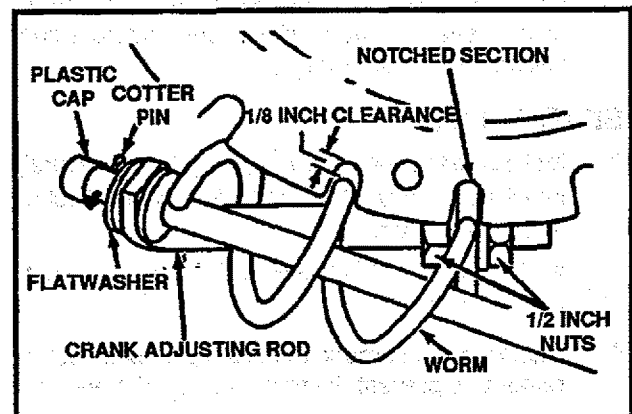


FIG. 23

SERVICE AND ADJUSTMENTS

TO ADJUST THE CLUTCH CONTROL CABLES

Periodic adjustment of the cables may be required due to normal stretch and wear on the belts. To check for correct adjustment, the control lever must be in the full forward position, resting on the plastic bumper. The control cables are correctly adjusted when the center of the "Z" Fitting is in the center of the hole and there is no droop in the cable (See Fig. 24).

If adjustment is necessary:

- Disconnect the "Z" Fitting from drive lever.
- Push the cable through the spring (See Fig. 25) to expose the threaded portion of the cable.
- Hold the square end of the threaded portion with pliers and adjust the locknut in or out until the excess slack is removed.
- Pull the cable back through the spring and connect the cable.
- Do the same for the other lever cable.

NOTE: Whenever the traction drive or auger belts are adjusted or replaced, the cables will need to be adjusted.

TO ADJUST BELTS

Belts stretch during normal use. If you need to adjust the belts due to wear or stretch, proceed as follows:

TRACK DRIVE BELT (See Fig. 27)

The track drive belt has constant spring pressure and does not require adjustment. Check the clutch control cable adjustment before replacing the belt.

Replace the track drive belt if it is still slipping (see To Replace Belts paragraph on page 20).

AUGER DRIVE BELT (See Fig. 27)

If your snow thrower will not discharge snow, check the control cable adjustment. If it is correct, then check the condition of the auger drive belt. It may be loose or damaged. If it is damaged, replace it. See To Replace Belts paragraph on page 20. If the auger drive belt is loose, adjust as follows:

- Disconnect the spark plug wire.
- Remove the belt cover.
- Loosen the nut on the idler pulley (See Fig. 26) and move the pulley toward the belt about 1/8".
- Tighten the nut.
- Press the auger drive lever. Check the tension on the belt (opposite idler pulley). The belt should deflect about 1/2" with moderate pressure (See Fig. 26).

NOTE: You may have to move the idler pulley more than once to obtain the correct tension.

- Replace the belt cover.

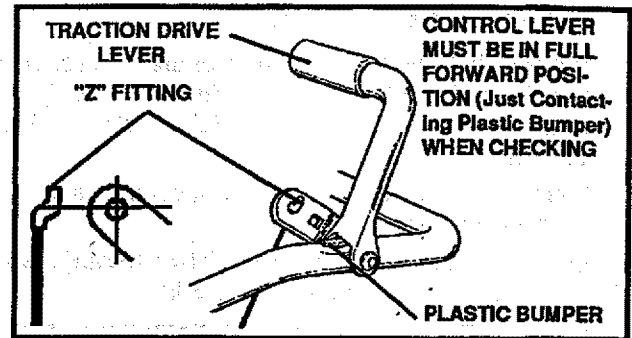


FIG. 24

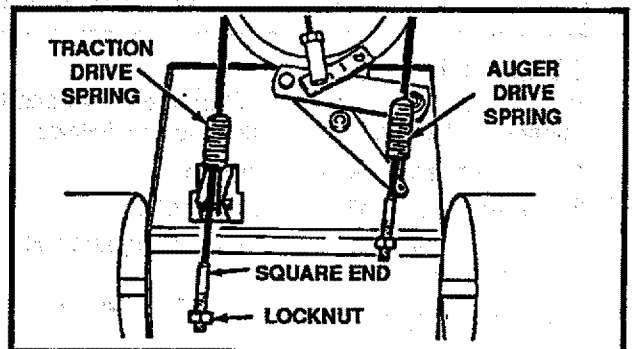


FIG. 25

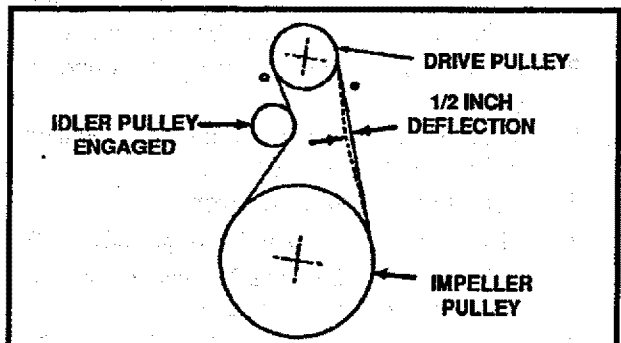


FIG. 26

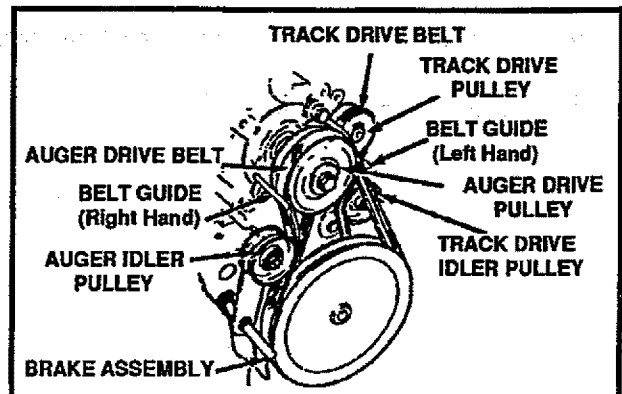


FIG. 27

- Check the clutch control cable adjustment.
- Reconnect the spark plug wire.

SERVICE AND ADJUSTMENTS

TO REPLACE BELTS

The drive belts on this snow thrower are of special construction and should be replaced with original equipment belts available from your nearest SEARS Store or Service Center.

You will need the assistance of a second person while replacing the belts.

Drain the gasoline from the fuel tank by removing the fuel line. Drain the gas and reinstall fuel line.



CAUTION: DRAIN THE GASOLINE OUT DOORS, AWAY FROM FIRE OR FLAME.

AUGER DRIVE BELT

If your snow thrower will not discharge snow, and the auger drive belt is damaged, replace it as follows:

- Disconnect the spark plug wire.
- Remove the belt cover (See Fig. 28)
- Loosen the belt guides (See Fig. 30) and pull away from the drive pulley.
- Loosen the auger idler pulley (See Fig. 30) and slip the belt out.
- Engage the auger drive lever. This will pull the brake assembly (See Fig. 29) away from the pulley and allow the belt to be slipped out.
- Remove the belt from the auger drive engine pulley.
- Install the original equipment replacement belt in reverse order of removal.
- Release the auger drive lever.
- Place the drive belt onto the auger drive pulley.
- Adjust the drive belt (see To Adjust Auger Drive Belt paragraph on page 19).
- Adjust the belt guides (see To Adjust The Belt Guides paragraph on page 21).
- Reinstall the belt cover.
- Check clutch control cable adjustment (see page 19).
- Reconnect the spark plug wire.

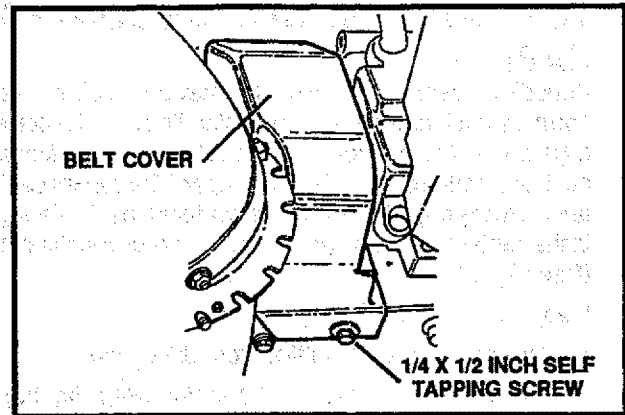


FIG. 28

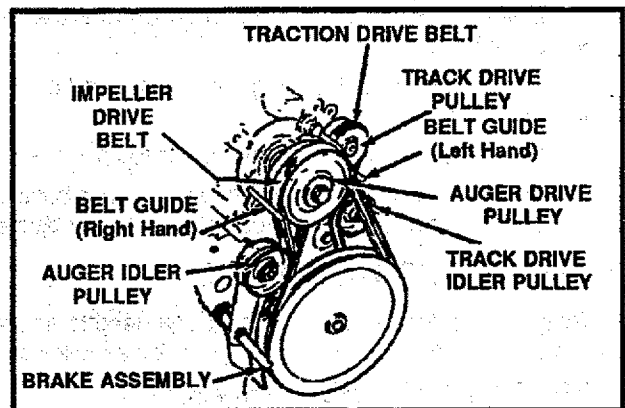


FIG. 29

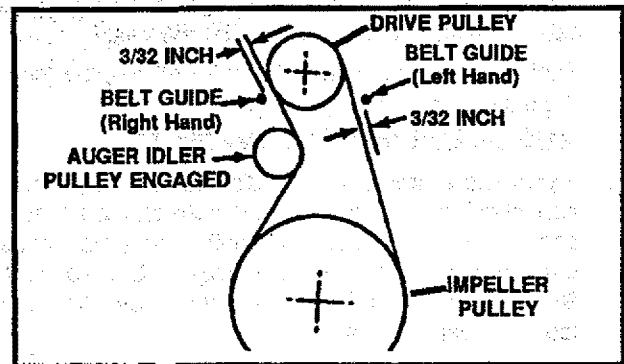


FIG. 30

SERVICE AND ADJUSTMENTS

TRACK DRIVE BELT

If your snow thrower will not move forward, check the track drive belt for wear. If the track drive belt needs to be replaced, proceed as follows:

- Disconnect the spark plug wire.
- Remove the belt cover.
- Loosen the left hand belt guide (See Fig. 29) mounting screw and move the belt guide away from the belt.
- Pull the track drive idler pulley (See Fig. 29) back and slip the belt past the idler pulley.
- Remove the belt from the engine pulley.
- Remove the belt between the two large pulleys.
- Install the new original equipment replacement belt in reverse order of removal.
- Adjust the left hand belt guide and tighten the mounting screw (see To Adjust The Belt Guides paragraph below).
- Reinstall the belt cover.
- Reconnect the spark plug wire.

TO ADJUST THE BELT GUIDES

There are two belt guides on your snow thrower, a left and right. After you replace a track or auger drive belt, you need to adjust one or both of the belt guides. Proceed as follows for each belt:

- Disconnect the spark plug wire.
- Remove the belt cover (See Fig. 28)
- Engage the auger drive clutch lever.
- Measure the distance between the belt guides and the belt (See Fig. 30). The distance should be $3/32$ " for each guide.
- If adjustment is necessary, loosen the belt guide mounting bolts. Move the belt guides to the correct position. Tighten the mounting bolts
- Reinstall the belt cover.
- Reconnect the spark plug wire.

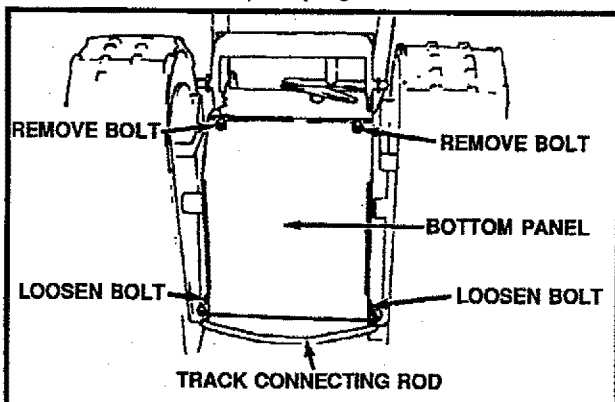


FIG. 31

TO ADJUST THE FRICTION WHEEL

If the snow thrower will not move forward, you need to check the track drive belt, the traction drive cable or the friction wheel. If the friction wheel is damaged, it will need to be replaced. See the To Replace Friction Wheel paragraph on page 22. If the friction wheel is not worn, check the adjustment, as follows:

- Disconnect the spark plug wire.
- Drain the gasoline from the gas tank.
- Stand snow thrower on the auger housing end.
- Remove the bottom panel (See Fig. 31).
- Position the shifter lever in first (1) gear.
- Note the position of the friction wheel on the disc drive plate. The right side of the friction wheel should be $3-3/8$ " from the left outer side of the disc drive plate (See Fig. 32).

If adjustment is necessary:

- Loosen the jam nut "A" on the speed select rod. Remove the ball joint from the shifter bracket. Lengthen or shorten the rod by turning the adaptor to obtain the correct friction wheel position (See Fig. 33)
- Reinstall the ball joint and tighten the jam nut.
- Reinstall the bottom panel.

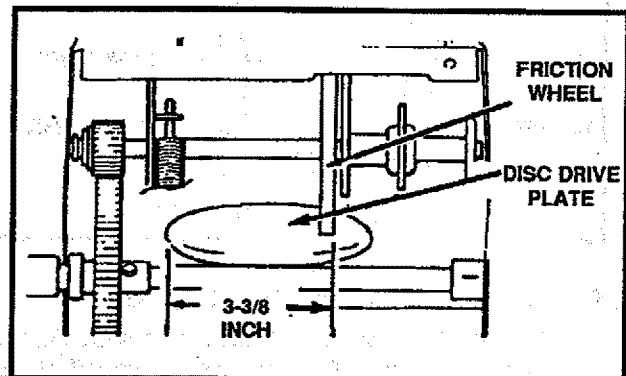


FIG. 32

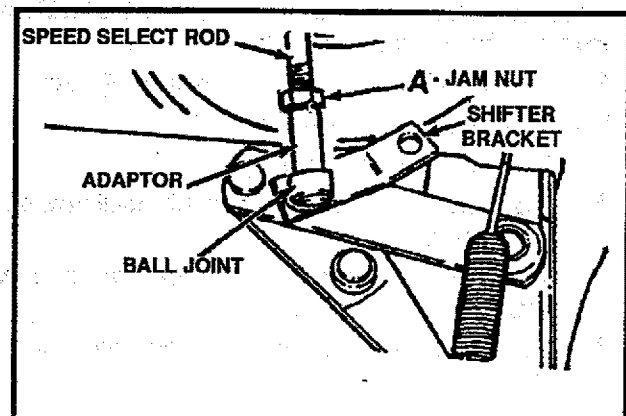


FIG. 33

SERVICE AND ADJUSTMENTS

TO REPLACE FRICTION WHEEL

If the snow thrower will not move forward, and the friction wheel is worn or damaged, you need to replace it, as follows: (First allow the engine to cool).



CAUTION: DRAIN GASOLINE OUTDOORS AWAY FROM FIRE OR FLAME.

- Drain the gasoline from the fuel tank by removing the fuel line. Drain the fuel and reinstall the fuel line.
- Disconnect the spark plug wire.
- Stand the snow thrower up on the auger housing end (See Fig. 36).
- Remove the bottom panel (See Fig. 34).
- Disconnect the right side track connecting rod.
- Rotate the right side track until it is parallel to the ground (See Fig 36).
- Remove the three (3) fasteners securing the friction wheel to the hub (See Fig. 35).

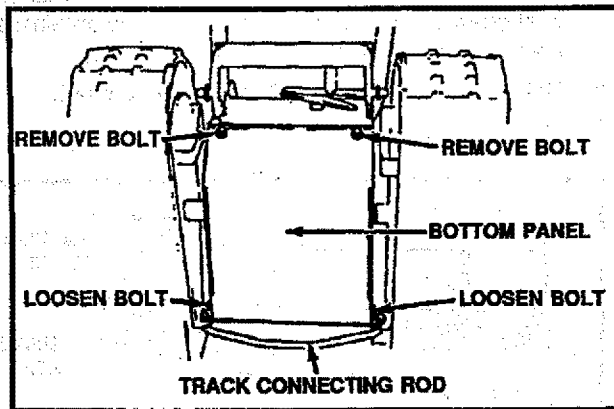


FIG. 34

- Move the shifter lever into first (1) gear.
- Loosen the four No. 10 keps nuts securing the bearing plate (See Fig. 36). Do not remove the nuts.

NOTE: Reassembly will be easier if you place a piece of tape over each of the carriage bolt heads on the inside of the motor mount before you remove the nuts.

- Move the speed select lever into sixth (6) gear.
- Remove the four No.10 keps nuts.
- Remove the bearing plate.
- Slide the hex shaft to the right until the friction wheel can be removed.
- Install the new friction wheel loosely on the hex shaft.
- Reinstall the removed parts in reverse order of removal.

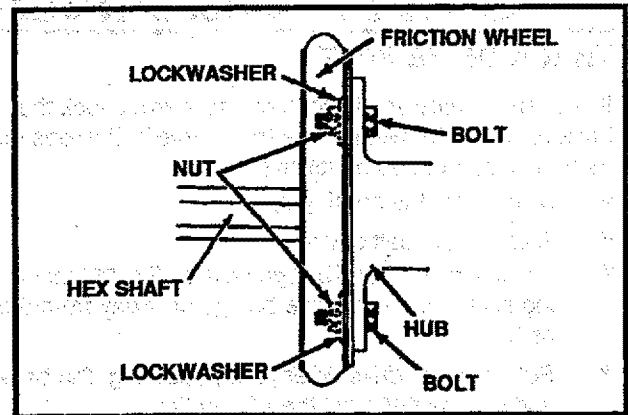
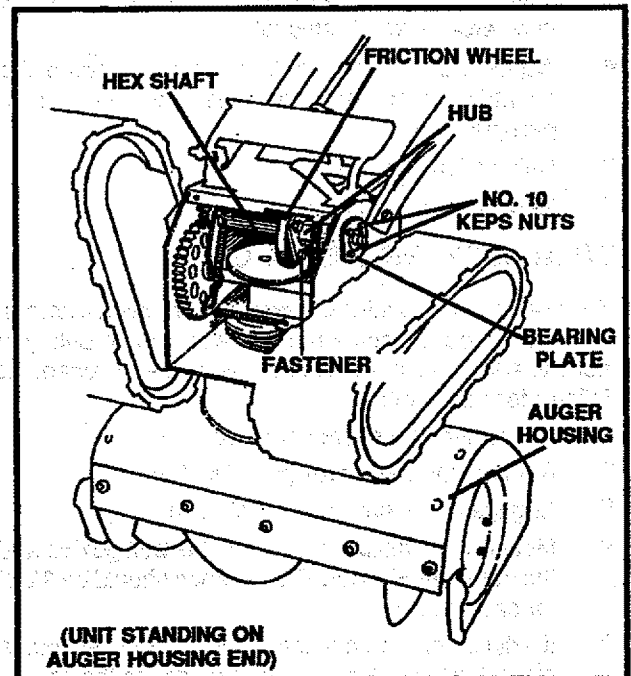


FIG. 35



(UNIT STANDING ON AUGER HOUSING END)

FIG. 36

SERVICE AND ADJUSTMENTS

TO REPLACE AUGER SHEAR BOLT

The augers are secured to the auger shaft with special bolts (See Fig. 37) that are designed to break (to protect the machine) if an object becomes lodged in the auger housing. Use of a harder bolt will destroy the protection provided by the shear bolt.

IMPORTANT: TO INSURE SAFETY AND PERFORMANCE LEVELS, ONLY ORIGINAL EQUIPMENT SHEAR BOLTS SHOULD BE USED. WHEN REPLACING SHEAR BOLTS, BE SURE TO REPLACE SHEAR BOLT SPACERS.

To replace a broken shear bolt, proceed as follows:

- Move the throttle to STOP and turn off all controls.
- Disconnect the spark plug wire. Be sure all moving parts have stopped.
- Lubricate the auger shaft zerk fitting (see the Maintenance section, pages 16-17).
- Align the hole in the auger with the hole in the auger shaft. Install the new shear bolt and shear bolt spacer provided.
- Reconnect the spark plug wire.

TO ADJUST TRACK

If the snow thrower does not move forward evenly and the track slips slightly, you need to check the track as follows:

- Measure the distance between the top of the side plate and the inside of the track. The distance should not be more than two (2) inches.

If the distance is greater, you need to adjust the track as follows:

- Loosen the bolts (A) (See Fig. 38) on both sides of the track assembly.
- Turn the cam washers equally on both sides.
- Adjust the track to reduce slack, so that the distance between the top of the side plate and the inside of the track is not greater than two (2) inches. Be sure the cam washers are adjusted evenly or the track will be twisted (See Fig. 39). If the track becomes twisted, readjust the cam washers to the correct adjustment.

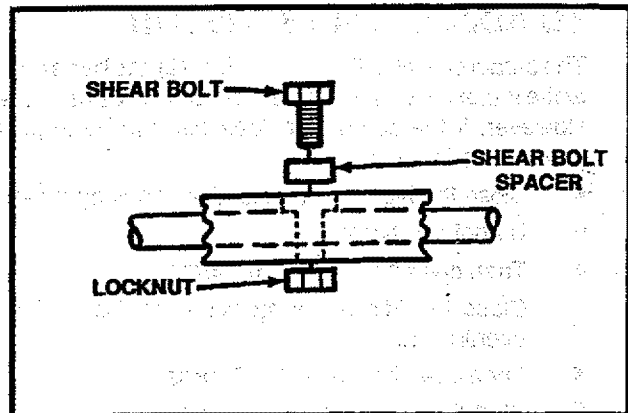


FIG. 37

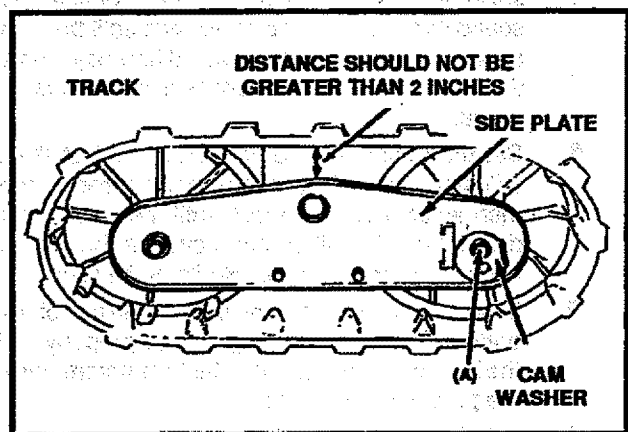


FIG. 38

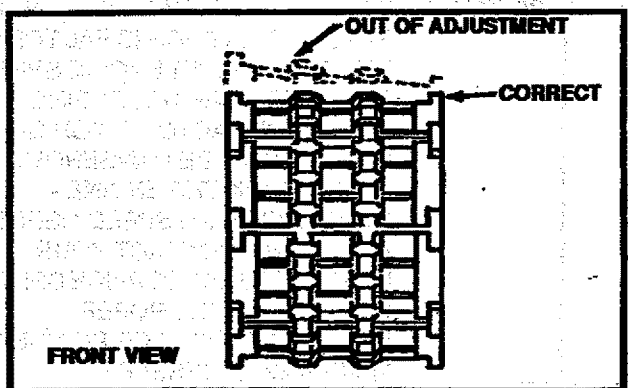


FIG. 39

SERVICE AND ADJUSTMENTS

TO ADJUST CARBURETOR

The carburetor (See Fig. 40 and Fig. 42) has been pre-set at the factory and readjustment should not be necessary. However, if the carburetor does need to be adjusted, proceed as follows:

- Close the high speed adjusting screw by hand.
- Do not overtighten.
- Then open it 1-1/4 to 1-1/2 turns.
- Close the idle adjusting screw by hand. Do not overtighten.
- Then open it 1-1/4 to 1-1/2 turns.
- Start the engine and let it warm up.
- Set the throttle control to RUN. Adjust the high speed adjusting screw in until the engine speed or sound alters. Adjust the screw out until the engine speed sound alters. Note the difference between the two limits and set the screw in the middle of the range.
- Set the throttle control to SLOW. Adjust the idle adjusting screw in until the engine speed drops, then adjust the screw out until the engine speed drops. Note the difference between the two limits and set the screw in the middle of the range.
- If the engine tends to stall under load or not accelerate from low speed to high speed properly, adjust the high speed screw out in 1/8 turn increments until the problem is resolved.
- Let the engine run undisturbed for 30 seconds between each setting to allow the engine to react to the previous adjustments.

IMPORTANT: NEVER TAMPER WITH THE ENGINE GOVERNOR, WHICH IS FACTORY SET FOR PROPER ENGINE SPEED. OVERSPEEDING THE ENGINE ABOVE THE FACTORY HIGH SPEED SETTING CAN BE DANGEROUS. IF YOU THINK THE ENGINE-GOVERNED HIGH SPEED NEEDS ADJUSTING, CONTACT YOUR NEAREST SEARS SERVICE CENTER, WHICH HAS THE PROPER EQUIPMENT AND EXPERIENCE TO MAKE ANY NECESSARY ADJUSTMENTS.

TO ADJUST OR REPLACE THE SPARK PLUG

If you have difficulty starting your snow thrower, you may need to adjust or replace the spark plug. Follow the instructions below.

Replace the spark plug if electrodes are pitted or burned or if the porcelain is cracked.

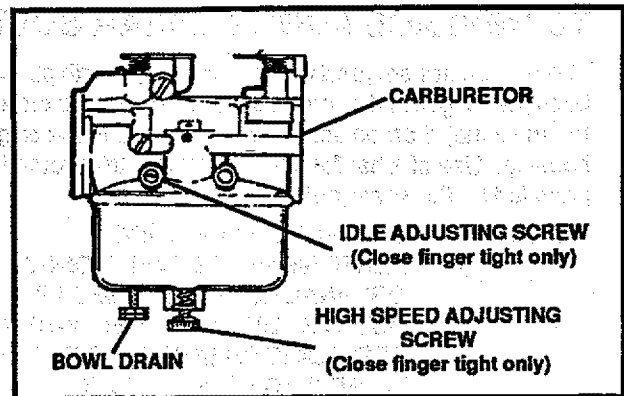


FIG. 40

TO ADJUST:

- Clean the spark plug by carefully scraping electrodes (do not sand blast or use a wire brush).
- Be sure the spark plug is clean and free of foreign material. Check electrodes gap (See Fig. 41) with a wire feeler gauge and reset the gap to .030 inch if necessary.

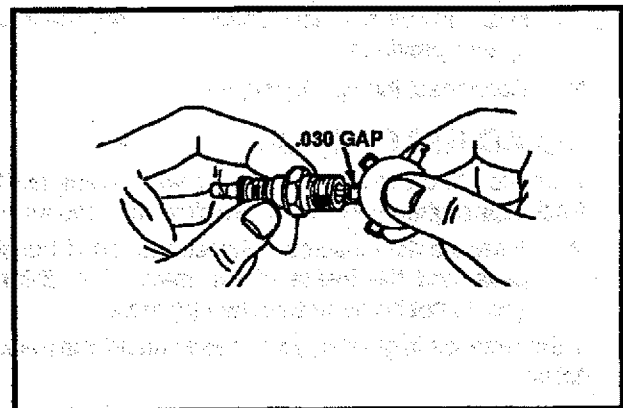


FIG. 41

TO REPLACE:

- If you need a new spark plug, use only the proper replacement spark plug (See page 4.).
- Set the gap to .030.
- Before installing the spark plug, coat its threads lightly with graphite grease to insure easy removal.
- Tighten the plug firmly into the engine.
- If a torque wrench is available, torque the plug to 18 to 23 ft - lbs.

STORAGE



CAUTION: NEVER STORE YOUR SNOW THROWER INDOORS OR IN AN ENCLOSED, POORLY VENTILATED AREA IF GASOLINE REMAINS IN THE TANK. FUMES MAY REACH AN OPEN FLAME, SPARK OR PILOT LIGHT FROM A FURNACE, WATER HEATER, CLOTHES DRYER, CIGARETTE, ETC.

To prevent engine damage (if snow thrower is not used for more than 30 days) follow the steps below.

ENGINE STORAGE

Gasoline must be removed or treated to prevent gum deposits from forming in the tank, filter, hose, and carburetor during storage. Also during storage, alcohol blended gasoline that uses ethanol or methanol (sometimes called gasohol) attracts water. It acts on the gasoline to form acids which damage the engine.

- To remove gasoline, run the engine until the tank is empty and the engine stops. Then drain remaining gasoline from carburetor by pressing upward on bowl drain located on the bottom of carburetor (See Figure 42).
- If you do not want to remove gasoline, a fuel stabilizer (such as Craftsman Fuel Stabilizer No. 33500) may be added to any gasoline left in the tank to minimize gum deposits and acids. If the tank is almost empty, mix stabilizer with fresh gasoline in a separate container and add some to the tank. **ALWAYS FOLLOW INSTRUCTIONS ON STABILIZER CONTAINER. THEN RUN ENGINE AT LEAST 10 MINUTES AFTER STABILIZER IS ADDED TO ALLOW MIXTURE TO REACH CARBURETOR. STORE SNOW THROWER IN A SAFE PLACE. SEE WARNING ABOVE.**

You can keep your engine in good operating condition during storage by:

- Changing oil.
- Lubricating the piston/cylinder area. This can be done by first removing the spark plug and squirting clean engine oil into the spark plug hole. Then cover the spark plug hole with a rag to absorb oil spray. Next, rotate the engine by pulling the starter two or three times. Finally, reinstall spark plug and attach spark plug wire.

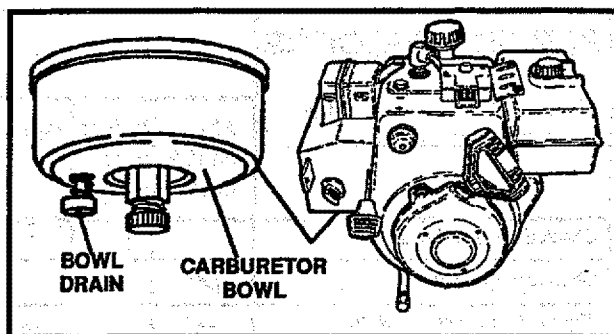


FIG. 42

SNOW THROWER STORAGE

- Thoroughly clean the snow thrower.
- Lubricate all lubrication points (see the Maintenance section on pages 16-17).
- Be sure that all nuts, bolts and screws are securely fastened. Inspect all visible moving parts for damage, breakage and wear. Replace if necessary.
- Touch up all rusted or chipped paint surfaces; sand lightly before painting.
- Cover the bare metal parts of the blower housing auger and the impeller with rust preventative, such as sprayable lubricant.

NOTE: A yearly checkup or tuneup by a SEARS Service Center is a good way to insure that your snow thrower will provide maximum performance for the next season.

OTHER

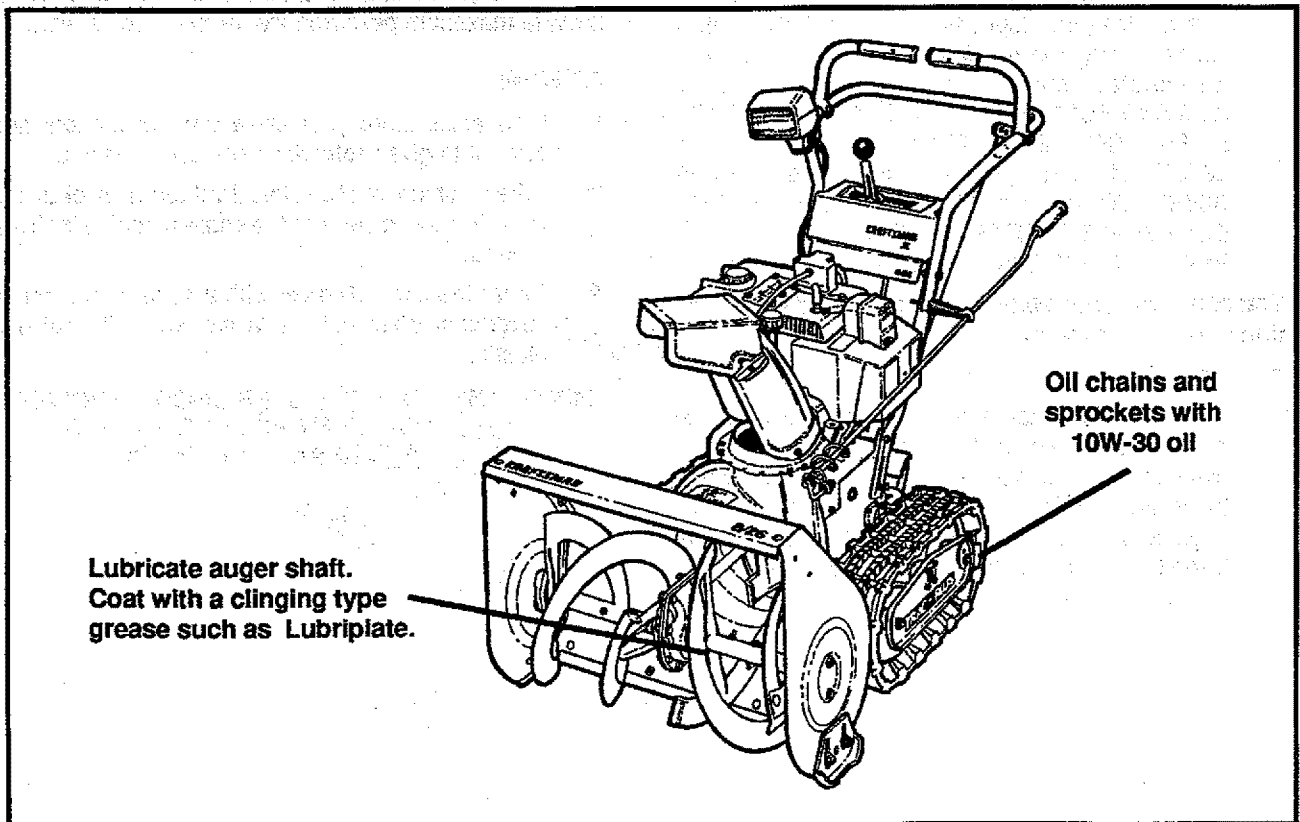
- If possible, store your snow thrower indoors and cover it to give protection from dust and dirt.
- If the machine must be stored outdoors, block up the snow thrower to be sure the entire machine is off the ground.
- Cover the snow thrower with a suitable protective cover that does not retain moisture. Do not use plastic.

IMPORTANT: NEVER COVER SNOW THROWER WHILE ENGINE AND EXHAUST AREAS ARE STILL WARM.

SERVICE RECOMMENDATIONS

SERVICE RECORDS Fill in dates as you complete regular service	SCHEDULE							SERVICE DATES					
	After First 2 hours	Before Each Use	Often	Every 10 Hours	Every 25 Hours	Each Season	Before Storage						
Check Engine Oil Level		✓				✓							
Change Engine Oil	✓				✓	✓							
Tighten All Screws and Nuts	✓	✓	✓										
Check Traction Clutch Cable Adjustment (See Cable Adjustment)	✓					✓							
Replace Spark Plug					✓	✓							
Adjust Drive Belts	✓				✓	✓							
Lubricate All Pivot Points				✓			✓						
Lubricate Auger Shaft (See Shear Bolt Replacement)							✓						
Lubricate Sprockets and Chains Sparingly (Track Assembly)				✓			✓						
Drain Fuel							✓						
Check Auger Clutch Cable Adjustment (See Cable Adjustment)	✓					✓							

LUBRICATION CHART

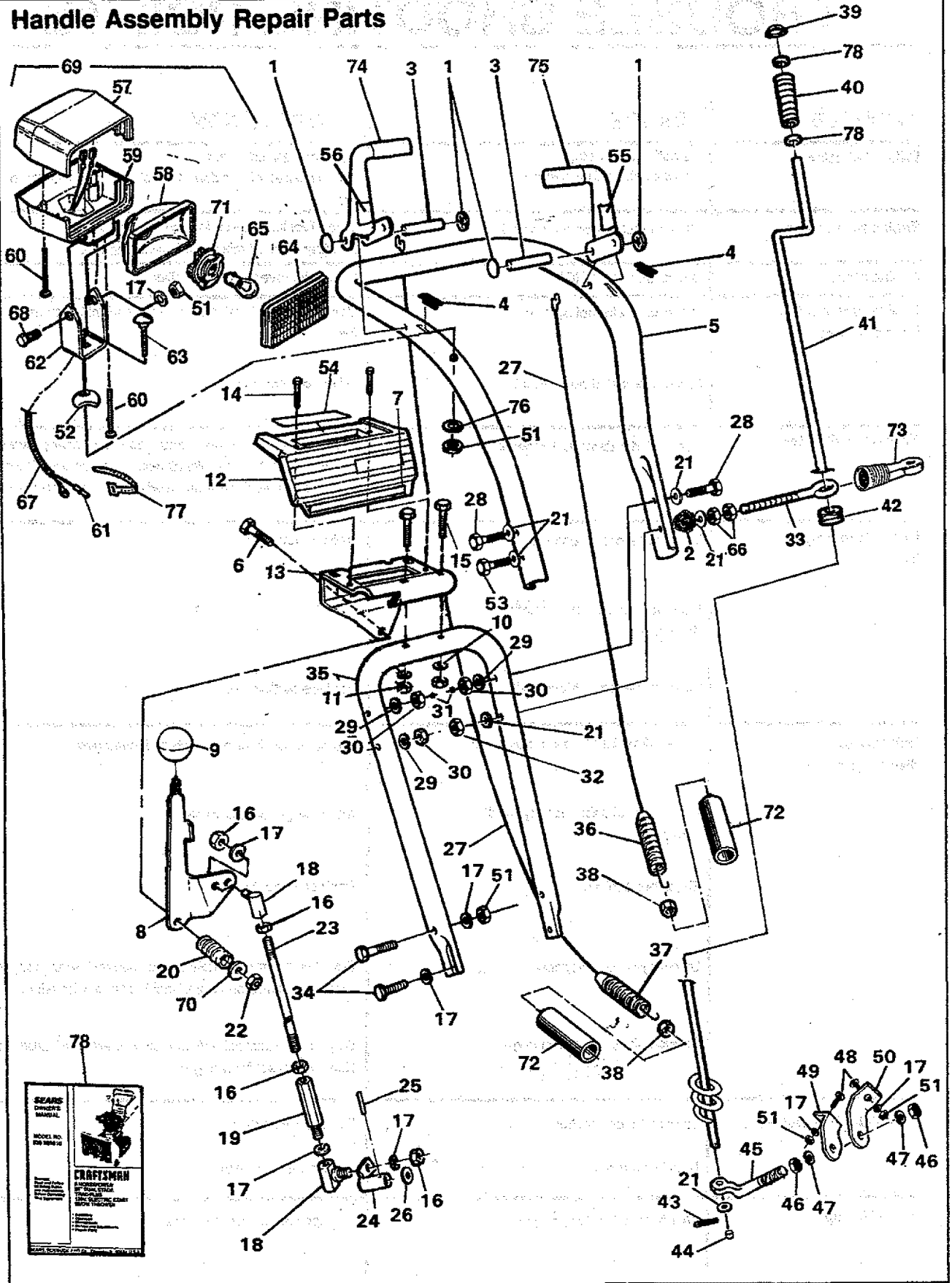


TROUBLE SHOOTING POINTS

TROUBLE	CAUSE	CORRECTION
Difficult starting	Defective spark plug Water or dirt in fuel system	Replace defective plug. Use carburetor bowl drain to flush and refill with fresh fuel.
Engine runs erratic	Blocked fuel line or low on fuel	Clean fuel line; check fuel supply; add fresh fuel (gasoline/oil mixture if 2 cycle engine).
Engine stalls	Unit running on CHOKE	Set choke lever to RUN position.
Engine runs erratic; Loss of power	Water or dirt in fuel system Carburetor out of adjustment	Use carburetor bowl drain to flush and refill with fresh fuel. Adjust carburetor.
Excessive vibration	Loose parts; damaged impeller	Stop engine immediately and disconnect spark plug wire. Tighten all bolts and make all necessary repairs. If vibration continues, have the unit serviced by a competent repairman
Unit fails to propel itself	Drive belt loose or damaged Incorrect adjustment of traction drive cable Worn or damaged friction wheel	Replace drive belt Adjust traction drive cable. Replace friction wheel.
Unit fails to discharge snow	Auger drive belt loose or damaged Auger control cable not adjusted correctly Shear bolt broken Discharge chute clogged Foreign object lodged in auger	Adjust auger drive belt; replace if damaged. Adjust auger control cable Replace shear bolt. Stop engine immediately and disconnect spark plug wire. Clean discharge chute and inside of auger housing. Stop engine immediately and disconnect spark plug wire Remove object from auger.
Headlight does not work	Loose wire connection Bulb burned out	Tighten connection. Replace headlight bulb.
Unit rides up	Weight transfer disengaged	Engage weight transfer pedal.

CRAFTSMAN 26" TRAC-PLUS SNOW THROWER 536.885910

Handle Assembly Repair Parts



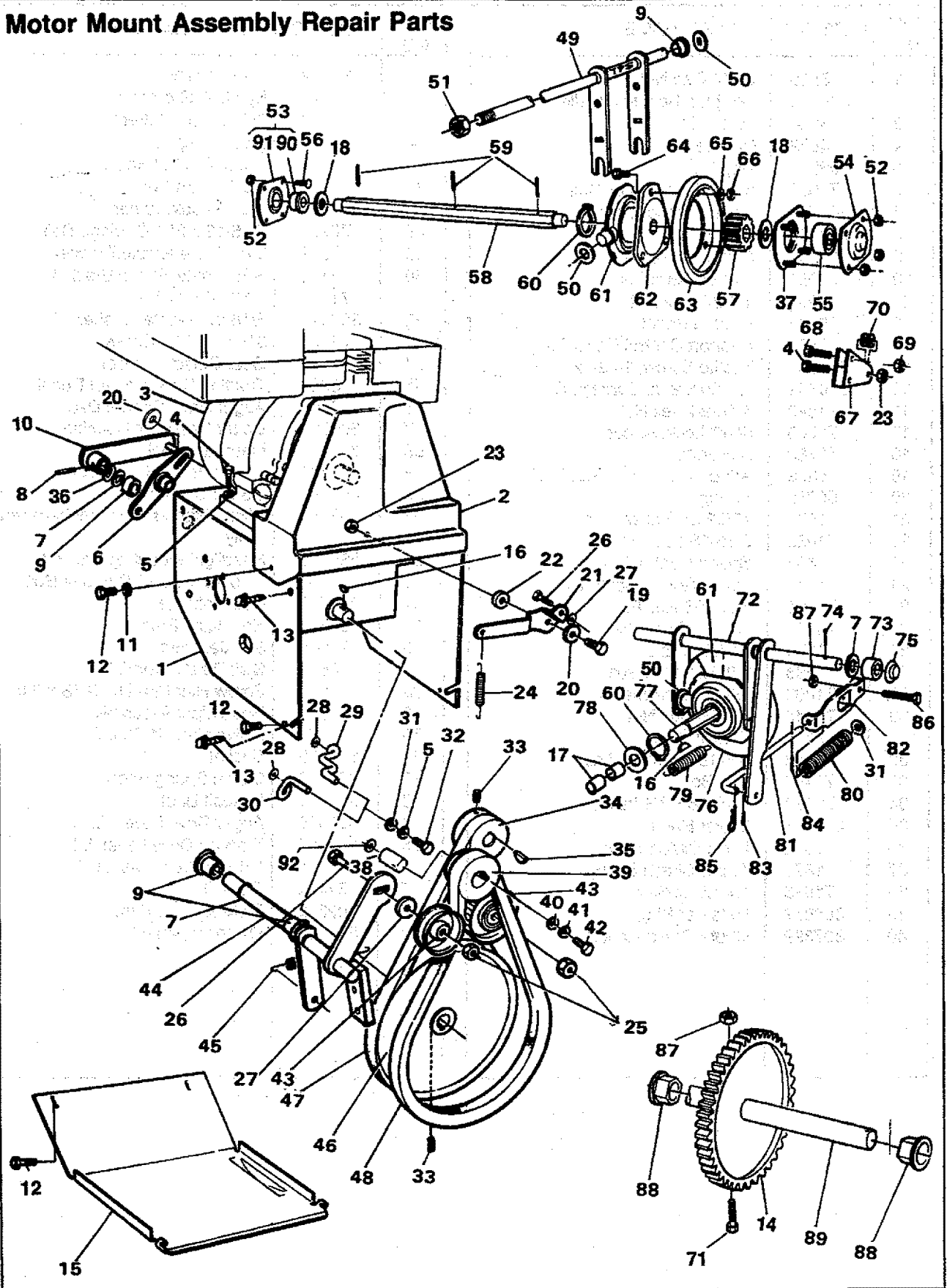
CRAFTSMAN 26" TRAC-PLUS SNOW THROWER 536.885910

REF. NO.	PART NO.	PART NAME
1	3535	5/16" Cap Nut
2	309344	Adapter, Boot to Handle
3	3538	Pivot Pin
4	4049	Bumper
5	308012	Upper Handle
6	70990	5/16-18 x 1-3/4 In. Bolt
7	308793	Control Panel Decal
8	308037	Shift Lever
9	53681	Shift Control Knob
10	71059	1/4" Lockwasher
11	71034	1/4-20 Hex Nut
12	306523	Control Panel
13	310421	Support Control Panel Ass'y
14	308901	Taptite Screw, 10-24 x 5/8 In.
15	310391	1/4-20 x 2 In. Carriage Bolt
16	71042	5/16-24 Hex Nut
17	71060	5/16" Lockwasher
18	50782	Ball Joint
19	6352	Adapter, Speed Control Rod
20	50786	Spring
21	71072	13/32 In. Flatwasher
22	71038	5/16-18 Locknut
23	1668	Speed Control Rod
24	1449	Lever, Speed Control
25	73801	5/32-7/8 Roll Pin
26	73812	1/2 In. Flatwasher
27	1579	Clutch Cable
28	7288	3/8-16 x 3 In. Bolt
29	71062	3/8 In. Lockwasher
30	71044	3/8-16 Hex Nut
31	7289	Plastic Stop
32	71046	3/8-16 Nylon Locknut
33	71457	Eye Bolt
34	70984	5/16-18 x 3/4 In. Screw
35	308011	Lower Handle
36	1672	Drive Clutch Spring
37	1673	Auger Clutch Spring
38	71035	1/4-20 Locknut
39	304872	Retainer Ring
40	307399	Chute Crank Handle

REF. NO.	PART NO.	PART NAME
41	85192	Chute Crank
42	148	Eye Bolt Grommet
43	71082	3/32 x 1 In. Cotter Pin
44	104	Plastic Cap
45	7055	Chute Control Rod
46	7058	1/2-20 Jam Nut
47	7059	1/2 In. Lockwasher
48	70993	5/16-18 x 3/4" Carriage Bolt
49	7052	L.H. Chute Rotate Bracket
50	1162	R.H. Chute Rotate Bracket
51	71037	5/16-18 Hex Nut
52	580527	5/16 In. Saddle Washer
53	71007	3/8-16 x 2 In. Screw
54	6300	Gear Selector Decal
55	3902	Traction Drive Control Decal
56	3903	Auger Drive Control Decal
57	307395	Upper Headlight Housing
58	309792	Metalized Back
59	580530	Lower Headlight Housing
60	307781	# 8 x 1-3/4" Screw
61	307767	Wiring Harness, Headlight Assembly
62	580532	Headlight Mounting Bracket
63	4160	5/16-18 x 1-3/4" Carriage Bolt
64	309789	Headlight, Lens
65	309791	Headlight, Bulb
66	71045	3/8" Jam Nut
67	6636	Split Plastic Conduit
68	235	Screw Hex Head 5/16-18 x 2 In.
69	305025	Head Light Assembly
70	71071	Flatwasher, 11/32 In.
71	309793	Socket
72	308146	Clutch Spring Boot
73	308145	Eyebolt Boot
74	307918	Auger Drive Lever, R.H.
75	307920	Traction Drive Lever, L.H.
76	71061	External Lockwasher
77	57444	Cable Tie
78	309312	Flatwasher, 3/8 In.
79	307145	Owner's Manual

CRAFTSMAN 26" TRAC-PLUS SNOW THROWER 536.885910

Motor Mount Assembly Repair Parts

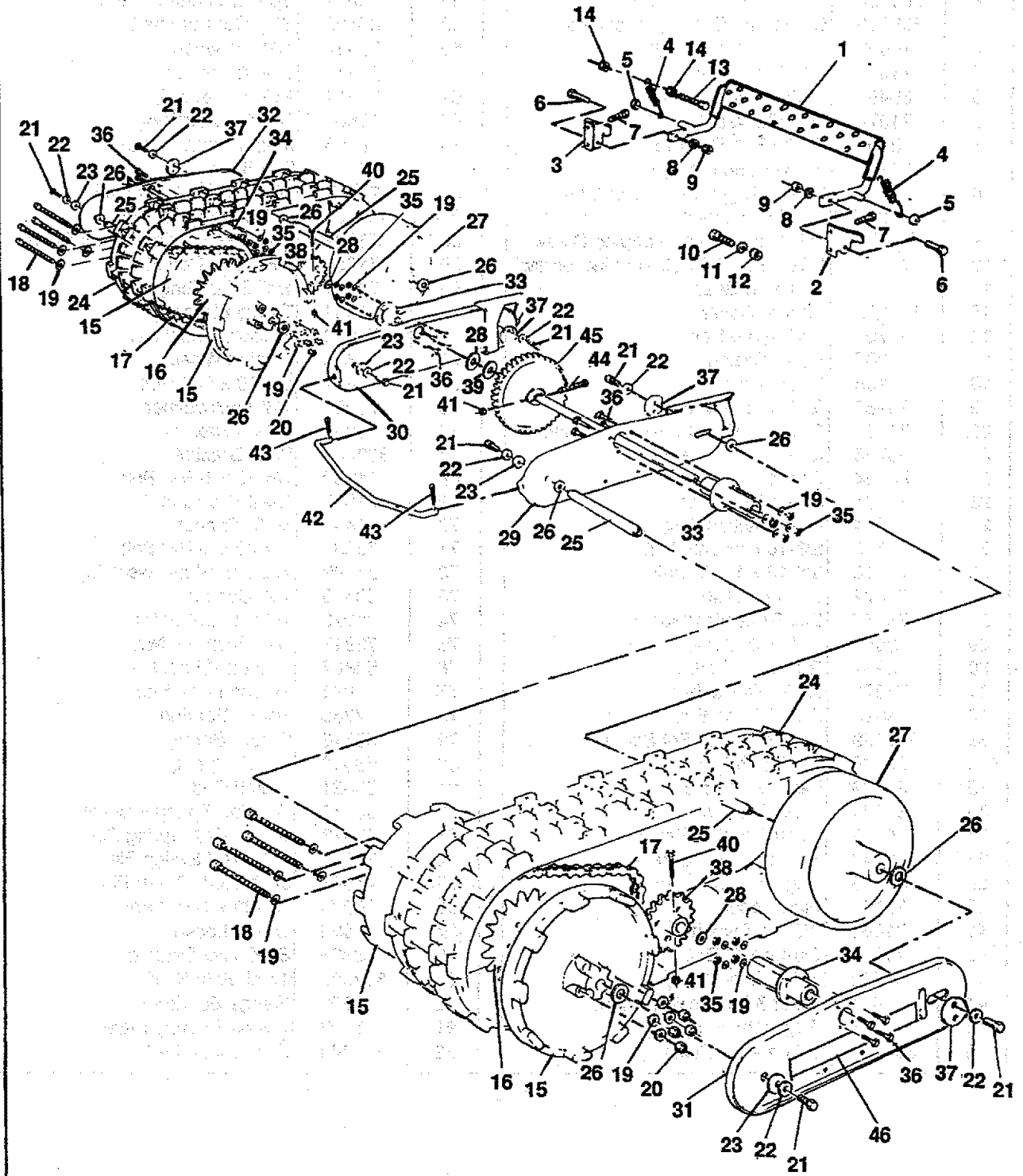


CRAFTSMAN 26" TRAC-PLUS SNOW THROWER 536.885910

REF. NO.	PART NO.	PART NAME	REF. NO.	PART NO.	PART NAME
1	308646	Motor Mount Frame	47	5938	Special Traction Drive Belt
2	308932	Belt Cover	48	3887	Special Auger Drive Belt
3	308010	Craftsman Engine, Model No.	49	85495	Shift Control Shaft
4	70988	5/16-18 x 1-1/4" Bolt	50	73812	1/2" Flatwasher
5	71060	5/16" Lockwasher	51	71111	3/8-16 Locknut
6	85494	Clutch Cable Lever	52	71461	#10-24 Keps Nut
7	71074	1/2" Flatwasher	53	85504	Bearing Assembly
8	73801	5/32 x 7/8" Roll Pin	54	6105	Inner Bearing Retainer
9	53703	Flanged Bearing	55	6107	Ball Bearing
10	85492	Clutch Auger Lever Assembly	56	72531	10-24 x 3/8" Carriage Bolt
11	71067	1/4" Flatwasher	57	53833	8 Tooth Pinion Gear
12	70978	1/4-20 x 1/2" Self Tapping Screw	58	53832	Hex Disc Friction Wheel Shaft
13	70982	5/16-18 x 1/2" Self Tapping Screw	59	71086	1/8 x 3/4" Roll Pin
14	6215	48 Tooth Gear	60	73811	1/4" Snap Ring
15	308009	Bottom Cover	61	85501	Trunion Bearing
16	50795	3/4" Hypro Key	62	579866	Friction Wheel Hub
17	7287	Roller Bearing	63	53830	Friction Wheel
18	6106	Flatwasher	64	11871	1/4-20 x 5/8" Bolt
19	70985	5/16-18 x 3/4" Bolt	65	71059	1/4" Lockwasher
20	73795	5/16 x 1-3/8 x 14 GA Flatwasher	66	71034	1/4-20 Hex Nut
21	53793	Idler Traction Lever	67	308005	Pivot Bracket
22	53794	Spacer	68	71360	1/4-20 x 1-3/4" Bolt
23	71391	5/16-18 Locknut	69	71035	1/4-20 Locknut
24	53704	Idler Traction Drive Spring	70	51438	5/16" Spacer
25	590	3/8-16 Hex Jam Nut	71	73839	1/4-20 x 2-1/4" Bolt
26	71010	3/8-16 x 1-1/2" Bolt	72	85499	Traction Shaft Assembly
27	71072	3/8" Flatwasher	73	53816	1/2" Spacer
28	73787	Belt Retainer Washer	74	71079	1/8 x 1" Cotter Pin
29	3948	L.H. Belt Guide	75	73817	1/2" Push-on Nut
30	3949	R.H. Belt Guide	76	53807	Friction Wheel Disc
31	71071	5/16" Flatwasher	77	7091	Traction Hex Shaft
32	71393	5/16-24 x 1" Bolt	78	7286	Thrust Bearing
33	577399	5/16-18 x 1/2" Set Screw	79	53818	Return Spring
34	55025	Engine Pulley	80	53820	Clutch Spring
35	20579	Key, WDRF # 5	81	53821	Clutch Rod
36	30289	Wave Washer	82	53819	Traction Spring Bracket
37	6103	Outer Bearing Retainer	83	73823	1/8 x 1-3/8" Spring Pin
38	3947	Engine Pulley Spacer	84	73822	1/8 x 1/2" Spring Pin
39	53715	Auger Drive Pulley	85	71081	3/32 x 3/4" Cotter Pin
40	50677	Flatwasher	86	70970	1/4-20 x 1-1/4" Bolt
41	71063	3/8" Lockwasher	87	73826	1/4-20 Locknut
42	71015	3/8-24 x 1" Bolt	88	53836	Shaft Hex Bearing
43	50793	1-7/8" Idler Pulley	89	302025	Track Axle Shaft
44	1451	Shaft & Levers Assembly	90	53829	Flange Bearing
45	443	Auger Brake Spring	91	85503	Flange Bearing Plate
46	301545	5" Impeller Pulley	92	73840	Flatwasher, 3/4"

CRAFTSMAN 26" TRAC-PLUS SNOW THROWER 536.885910

Track Assembly Repair Parts

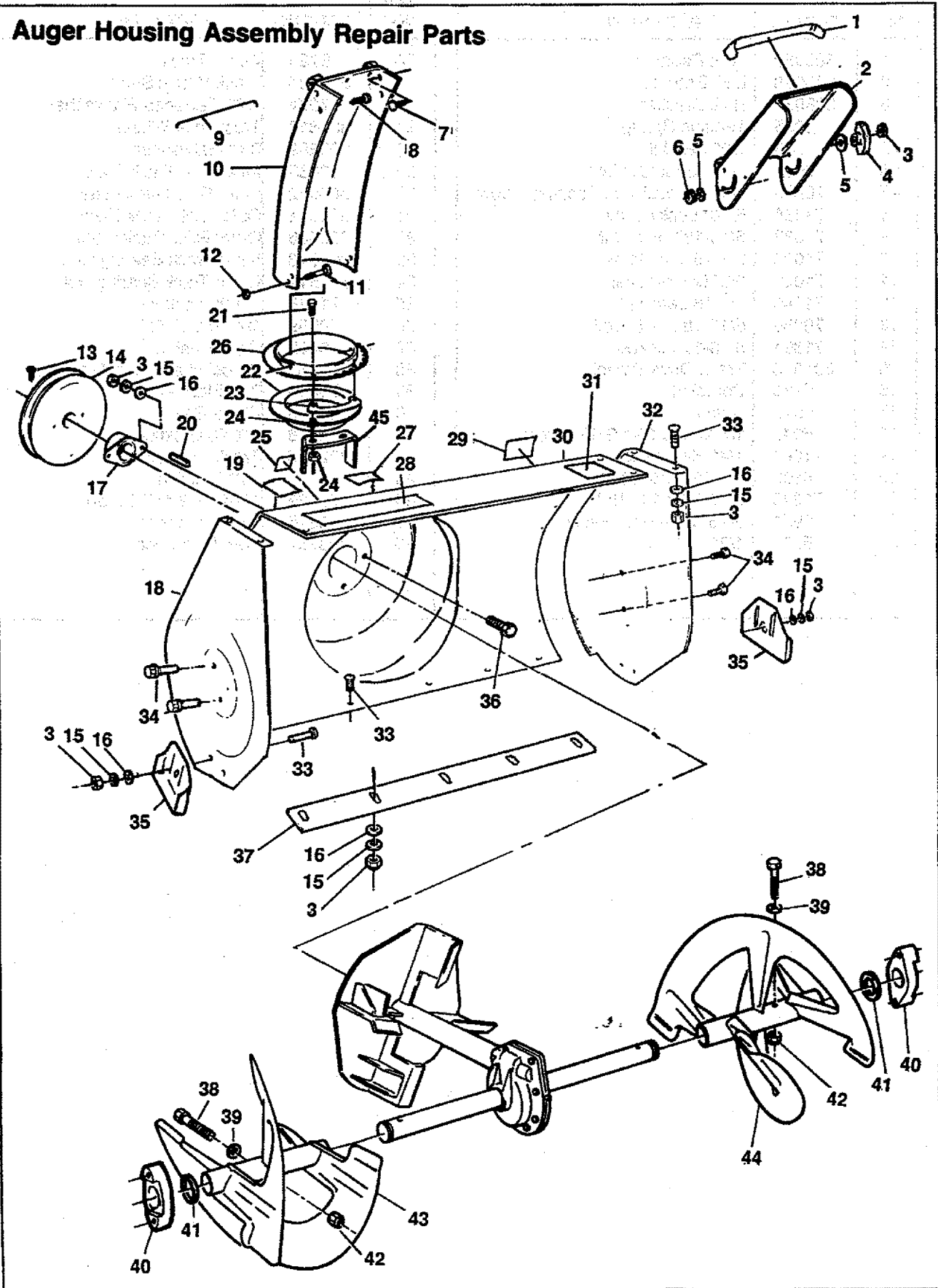


CRAFTSMAN 26" TRAC-PLUS SNOW THROWER 536.885910

REF. NO.	PART NO.	PART NAME	REF. NO.	PART NO.	PART NAME
1	308050	Foot Pedal	24	9724	4-3/4" Track
2	308038	L.H. Bracket	25	302024	Track Wheel Shaft
3	308039	R.H. Bracket	26	7074	1/2" Hardened Flatwasher
4	6025	Tension Spring	27	301817	Track Idler Wheel
5	518	1/2" Pal Nut	28	305299	3/4" Flatwasher
6	6001	7/16" Shoulder Bolt	29	308883	Inner L.H. Track Plate
7	70978	1/4-20 x 1/2" Self Tapping Screw	30	308882	Inner R.H. Track Plate
8	71060	5/16" Lockwasher	31	308034	Outer L.H. Track Plate
9	71037	5/16-18" Hex Nut	32	308036	Outer R.H. Track Plate
10	71005	3/8-16 x 1" Screw	33	301816	Inner Track Bearing Hub
11	71062	3/8" Lockwasher	34	301819	Outer Track Bearing Hub
12	71045	3/8-16 Jam Nut	35	71035	1/4-20 Locknut
13	70985	5/16-18 x 3/4" Bolt	36	70969	1/4-20 x 1" Bolt
14	71391	5/16-18 Locknut	37	6403	Cam Washer
15	301818	Track Drive Wheel	38	304133	Sprocket and Hub Assembly
16	5930	Sprocket	39	73840	3/4" Flatwasher
17	5917	Chain	40	7285	Shear Bolt
18	5947	1/4-28 x 3-3/4" GR5 Screw	41	73826	1/4-20 Locknut
19	71067	1/4" Flatwasher	42	302026	Track Tie Rod
20	6108	1/4-28 Locknut	43	20465	1/8" Hair Pin
21	71348	5/16-18 x 1/2" Bolt	44	73839	1/4-20 x 2-1/4" Screw
22	5951	5/16" Belleville Washer	45	6215	48 Tooth Gear
23	5950	1/2" Flatwasher	46	308787	Trac Plus Decal

CRAFTSMAN 26" TRAC-PLUS SNOW THROWER 536.885910

Auger Housing Assembly Repair Parts

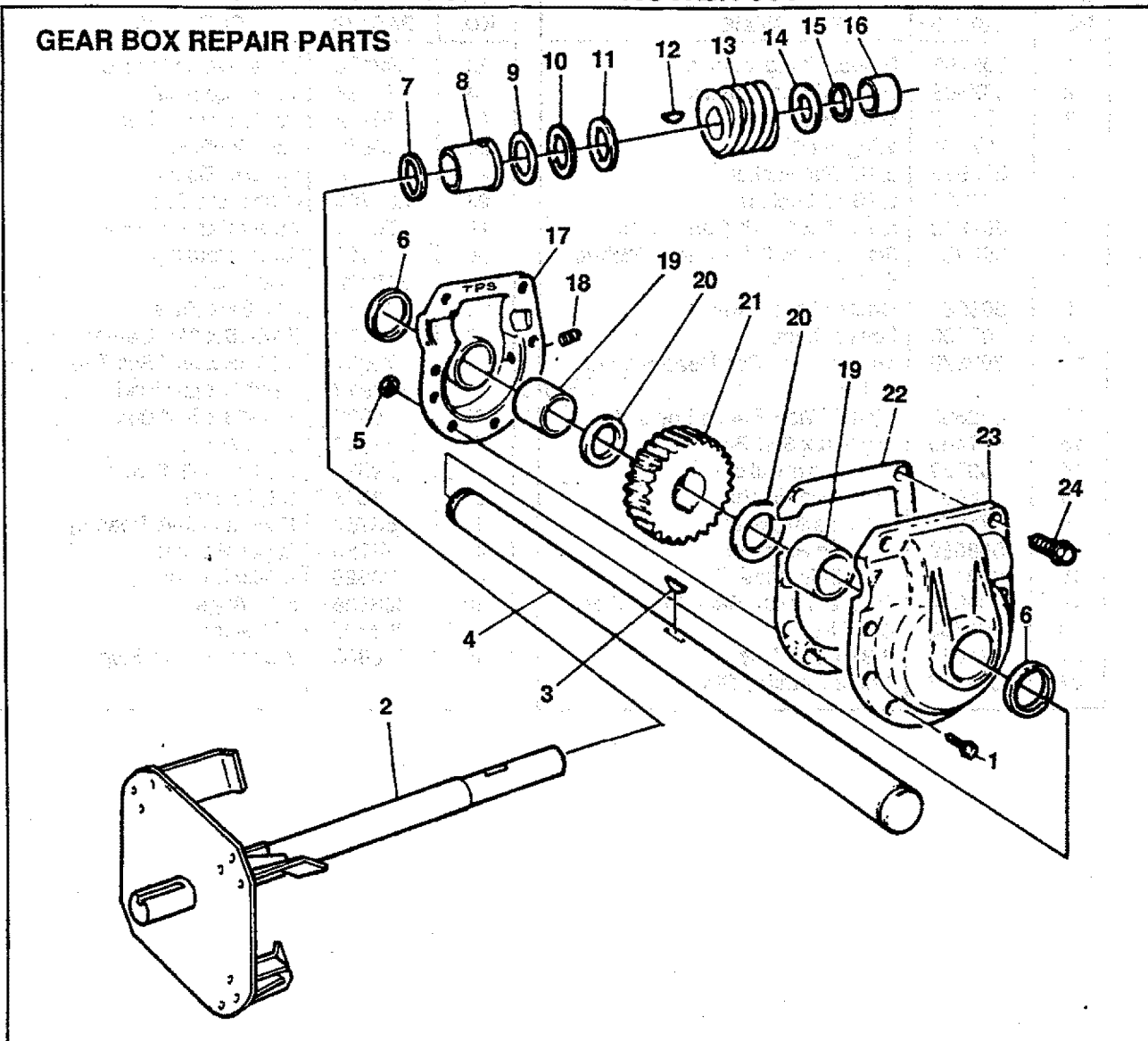


CRAFTSMAN 26" TRAC-PLUS SNOW THROWER 536.885910

REF. NO.	PART NO.	PART NAME	REF. NO.	PART NO.	PART NAME
1	308768	Striped Danger Decal	23	302172	Lower Chute Ring Clip
2	307665	Upper Chute Deflector	24	71058	#8-32" Locknut
3	71037	5/16-18 Hex Nut	25	70142	Chute Danger Decal
4	57171	Wing Knob	26	308851	Low Chute Ring
5	302680	5/16" Flatwasher	27	7376	Impeller Decal
6	71391	5/16-18 Locknut	28	308766	Craftsman Decal
7	302843	5/16-18 x 1-1/4" Carriage Bolt	29	70141	Auger Danger Decal
8	302634	5/16-18 x 3/4" Pan Head Slotted Bolt	30	1160	Auger Housing
9	308931	Chute Hinge Wire	31	308792	Size Decal
10	307693	Lower Chute	32	308118	L.H. Side Plate
11	302678	1/4-20 x 1/2" Pan Head Slotted Bolt	33	70993	5/16-18 x 3/4" Carriage Bolt
12	302635	1/4-20 Wide Flange Locknut	34	70984	5/16-18 x 3/4" Self Tapping Screw
13	577400	5/16-18 x 3/4" Bolt	35	307912	Height Adjust Skid
14	53759	6.5" Auger Pulley	36	70983	5/16-18 x 5/8" Bolt
15	71060	5/16" Lockwasher	37	1153	Scraper Bar
16	71071	5/16" Flatwasher	38	9524	1/4-20 x 1-3/4" Bolt
17	308059	Bearing Retainer	39	3943	1/4" Spacer
18	308119	R.H. Side Plate	40	53757	1" Auger Shaft Bearing
19	302922	Danger Decal, Read From Side	41	73755	Auger Washer
20	20556	3/16" Key	42	73826	1/4-20 Locknut
21	71032	8-32 x 1/2" Bolt	43	308008	R.H. Auger
22	302275	Chute Rotating Ring	44	308007	L.H. Auger
			45	310860	Bracket, Chute Stop

CRAFTSMAN 26" TRAC-PLUS SNOW THROWER 536.885910

GEAR BOX REPAIR PARTS



REF. NO.	PART NO.	PART NAME
1	71393	5/16-24 X 1" Bolt
2	308006	Impeller Shaft Assembly
3	73905	Woodruff Key #91
4	301561	Auger Shaft, 26 In.
5	71100	5/16-24 Flange Locknut
6	1065	Oil Seal
7	53737	Quad Ring
8	10905	Flange Bearing
9	53735	7/8" Flatwasher
10	53734	7/8" Roller Bearing
11	53733	7/8" Flatwasher
12	50795	3/4" Key

REF. NO.	PART NO.	PART NAME
13	53732	1-3/4" Worm Gear
14	50683	3/4" Flatwasher
15	50688	Retaining Ring
16	53731	Sleeve Bearing
17	895	L.H. Gear Box Housing
18	53749	1/4 x 18 Pipe Plug
19	53743	Auger Gearbox Bearing
20	53748	1" Flatwasher
21	53730	Worm Gear
22	897	Gear Box Gasket
23	896	R.H. Gear Box Housing
24	912	5/16-24 x 1-1/2" Bolt

CARBURETOR NO. 632334A

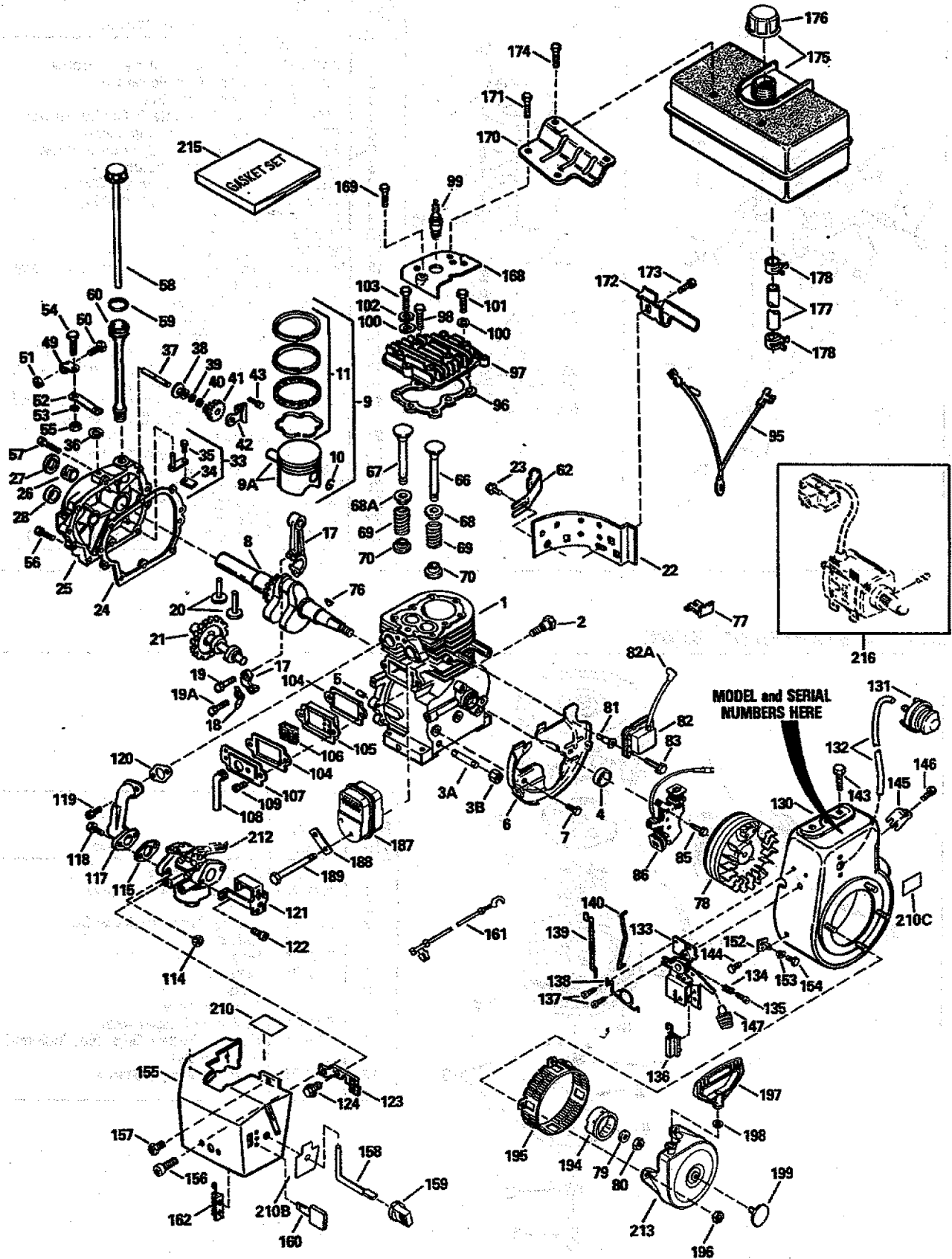
Ref. No.	Part No.	Part Name
	632334A	Carburetor
1	631776A	Shaft & Lever Assy., Throttle
2	631970	Spring, Throttle return
3	631778	Shutter, Throttle
4	650506	Screw, Throttle & Choke shutter
5	630766	Spring, Regulating screw
5A	630738	Spring, Main adjustment screw
6	650417	Screw, Idle regulating
7	632112	Shaft & Lever Assy., Choke
8	630735	Spring, Choke positioning
9	632174	Shutter, Choke
10	*630748	Plug, Welch
11	*631027	Plug, Welch
12	*631021	Inlet Needle, Seat & Clip Assy. (Incl. No. 13)
13	631022	Clip, Inlet needle
14	632019	Float, Carburetor
15	*631024	Shaft, Float
16	631951	Bowl, Float (Incl. Nos. 17 & 18)
17	27136A	Plunger Assy., Drain (Incl. No. 18)
18	27554	Gasket, Drain plunger
20	*632239	Adjustment Screw Assy., Main (Incl. Nos. 5A, 21, 23 & 27)
21	27110	Gasket, Bowl-to-body
23	*630740	"O" Ring, Adjustment screw
24	632281	Screw, Idle adjustment
25	*631028	Gasket, Bowl-to-body
26	632164	Fitting, Fuel inlet
27	630739	Washer
28	632347	Repair Kit (Incl. items marked *)

REWIND STARTER NO. 590630

Ref. No.	Part No.	Part Name
	590630	Starter, Rewind
1	590599A	Pin, Spring (Incl. No. 7)
2	590600	Washer
3	590651	Spring Assy., Brake & Dog
4	590627	Retainer
5	590641	Dog, Starter
7	590601	Washer
8	590628	Pulley
9	590451A	Rope, Starter
10	590629	Spring & Keeper Assy.
11	590574	Handle, Mitten Grip (Not included with starter)
12	590631	Housing Assy., Starter

CRAFTSMAN 4-CYCLE ENGINE

MODEL NUMBER: 143.806082



CRAFTSMAN 4-CYCLE ENGINE

MODEL NUMBER: 143.806082

Ref. No.	Part No.	Part Name	Ref. No.	Part No.	Part Name
1	35385	Cylinder (Incl. Nos. 3, 4 & 5)	66	27880A	Valve, Exhaust (Incl. No. 70) (1/32" oversize)
2	650820	Screw, Hex hd. shoulder, 1/4-20 x 1/2	67	34035	Valve, Intake (Incl. No. 70) (Std.)
3A	34171	Nipple, Pipe, 5-1/2"	67	34036	Valve, Intake (Incl. No. 70) (1/32" oversize)
3B	30969	Cap, Oil drain	68	27882	Cap, Upper valve spring
4	35319	Seal, Oil	68A	34689	Seal Assy., Intake valve
5	27652	Pin, Dowel	69	27881	Spring, Valve
6	35326	Baffle, Blower housing	70	32581	Cap, Lower valve spring
7	650561	Screw, Hex washer hd. Durlok, 1/4-20 x 5/8	76	32589	Key, Flywheel
8	35442B	Crankshaft	77	29443	Clip, Spring
9	34552	Piston, Pin & Ring Assy. (Incl. Nos. 9A, 10 & 11) (Std.)	78	611093	Flywheel (w/ring gear)
9	34553	Piston, Pin & Ring Assy. (Incl. Nos. 9A, 10 & 11) (.010 oversize)	79	650880	Washer, Lock
9	34554	Piston, Pin & Ring Assy. (Incl. Nos. 9A, 10 & 11) (.020 oversize)	80	650881	Nut, Flywheel
9A	34329A	Piston & Pin Assy. (Incl. No. 10) (Std.)	81	650872	Stud, Solid state mounting
9A	34330A	Piston & Pin Assy. (Incl. No. 10) (.010 oversize)	82	35135	Solid State Assy.
9A	34331A	Piston & Pin Assy. (Incl. No. 10) (.020 oversize)	82A	610118	Cover, Spark plug
10	27888	Ring, Piston pin retaining	83	650814	Screw, Torx Hex washer hd. Sems, 10-24 x 1
11	34332	Ring Set, Piston (Std.)	85	650873	Screw, Hex hd. Sems, 1/4-20 x 3/4
11	34333	Ring Set, Piston (.010 oversize)	86	611111	Coil Assy., Alternator (18 Watt)
11	34334	Ring Set, Piston (.020 oversize)	95	35253	Wire, Ground
17	35373A	Rod Assy., Connecting (Incl. Nos. 18, 19 & 19A)	96	*34041A	Gasket, Cylinder head
18	35374	Dipper, Oil	97	34030	Head, Cylinder
19	650908	Bolt, Connecting rod	98	6021A	Screw, Hex flange hd. 5/16-18 x 1-1/2
19A	650882	Bolt, Connecting rod	99	33636	Spark plug (Champion J-8C or equivalent)
20	34034	Lifter, Valve	100	650691	Washer, Flat
21	35444	Camshaft (Mechanical Compression Release)	101	650727	Screw, Special hex hd. tapped, 5/16-18 x 1-3/4
22	33273A	Extension, Blower housing	102	650690	Washer, Flat
23	650128	Screw, Hex hd. Sems, 10-24 x 1/2	103	650694A	Screw
24	*35262	Gasket, Cylinder cover	104	*27896A	Gasket, Breather
25	35445	Cover Assy., Cylinder (Incl. Nos. 26, 27, 28 & 37)	105	28423	Body, Breather
26	35377	Bushing, Cylinder cover	106	28424	Element, Breather
27	35319	Seal, Oil	107	28425	Cover, Breather
28	28928	Seal, Oil (Camshaft)	108	35350	Tube, Breather
33	30699C	Rod Assy., Governor (Incl. Nos. 34 & 35)	109	650128	Screw, Hex hd. Sems, 10-24 x 1/2
34	30700	Yoke, Governor	114	29752	Nut & Lockwasher, 1/4-28
35	650494	Screw, Fil. hd. Sems, 6-40 x 5/16	115	*33263	Gasket, Carburetor
36	29642	Ring, Retaining	117	33677	Pipe, Intake
37	31845	Shaft, Governor	118	30088A	Screw, Fil. hd. Sems, 1/4-28 x 1
38	30588A	Spool, Governor	119	650378	Screw, Torx Fil. hd. Sems, 5/16-18 x 1-1/8
39	35479	Washer, Flat	120	*27915A	Gasket, Intake pipe
40	29193	Ring, Retaining	121	34587	Bracket, Choke
41	35378	Gear, Governor (incl. No. 39)	122	28820	Screw, Fil. hd. Sems, 10-32 x 1/2
42	33369	Bracket, Governor gear	123	33377	Bracket, Carburetor cover mounting
43	650836	Screw, Hex washer hd. thread forming, 10-24 x 1/2	124	650767	Screw, Hex washer hd. Sems, tapdite, 8-36 x 5/8
49	29916	Clamp, Governor lever	130	35447	Housing, Blower
50	29826	Screw, Hex washer hd., 10-32 x 3/4	131	570682	Primer Assy.
51	29216	Locknut, Hex "Keps", 10-32	132	32180C	Line, Primer
52	33454	Lever, Governor	133	34677	Bracket Assy., Control (Incl. Nos. 134, 135, 136 & 138)
53	29918	Washer, E.T. Lock	134	31342	Spring, Compression
54	650548	Screw, Hex washer hd., 8-32 x 5/16	135	650549	Screw, Fil. hd., 5-40 x 7/16
55	30322	Locknut, Hex "Keps", 8-32	136	610973	Terminal Assy.
56	650832	Screw, Hex washer hd. Powerlok, 1/4-20 x 1-11/16	137	650821	Screw, Hex washer hd. thread cutting, 10-32 x 1/2
57	650833	Screw, Hex washer hd. Powerlok, 1/4-20 x 1-3/16			
58	35555	Dipstick, Oil			
59	35499	"O" Ring			
60	35554	Tube, Oil fill			
62	35540	Clip, Fill tube			
66	27878A	Valve, Exhaust (Incl. No. 70) (Std.)			

*Indicates Parts Included in Gasket Set, Ref. No. 215.

CRAFTSMAN 4-CYCLE ENGINE

MODEL NUMBER: 143.806082

Ref. No.	Part No.	Part Name	Ref. No.	Part No.	Part Name
138	34663	Spring, Speed control	175	34156A	Tank, Fuel (Incl. Nos. 176 & 178)
139	34667	Link, Governor	176	35355	Cap, Fuel tank
140	33878	Link, Governor-to-throttle	177	30705	Line, Fuel
143	650788	Screw, Hex hd. spinlock thread forming, 5/16-18 x 3/4	178	26480	Clamp, Fuel line
144	29747B	Screw, Hex hd. Sems, 5/16-24 x 21/32	187	35056	Muffler
145	33013	Cover, Starter hole	188	31588	Plate, Lock
146	650760	Screw, Pan hd. taptite, 8-32 x 3/8	189	792093	Screw, Flanged hex hd., 5/16-18 x 4-3/16
147	35440	Knob, Control	194	35287	Hub, Starter
152	34126	Bracket, Grommet mounting	195	35446	Screen, Starter
153	28545	Grommet, Plastic	196	29752	Nut & Lockwasher, 1/4-28
154	650760	Screw, Pan hd. taptite, 8-32 x 3/8	197	590574	Starter Handle, Mitten grip
155	35057A	Cover, Carburetor	198	650168	Washer, Flat
156	28942	Screw, Hex washer hd. Sems, 10-32 x 3/8	199	35392	Plug, Starter
157	650765	Screw, Hex washer hd. self-drilling, 10-32 x 1/2	210	35878	Decal, Instruction
158	34586	Rod, Choke	210B	35077	Decal, Choke
159	35438	Knob, Choke	210C	34144	Decal, Primer
160	35593	Ignition, Key	212	632334A	Carburetor (Incl. No. 115)
161	35305	Wire, Ground	213	590630	Starter, Rewind
162	610973	Terminal Assy.	215	33279G	Gasket Set (Incl. items marked *)
168	33272A	Cover, Cylinder head	216		Electric Starter Kit No. 143.88924 (Optional) Order as Accessory.
169	650802	Screw, Hex washer hd. taptite, 1/4-20 x 5/8			RPM Settings: High Speed: 3550 - 3850 Low Speed: 1700
170	34154	Plate, Fuel tank mounting			*Indicates Parts Included in Gasket Set, Ref. No. 215.
171	650713	Screw, Hex hd., 5/16-18 x 5/8			
172	34155	Bracket, Fuel tank			
173	650561	Screw, Hex washer hd. Durlok, 1/4-20 x 5/8			
174	650665	Screw, Hex washer hd. thread cutting, 1/4-15 x 7/8			

NOTES

NOTES

A large rectangular box with a black border, intended for handwritten notes. The interior of the box is completely blank.

NOTES

SEARS

OWNER'S MANUAL

**MODEL NO.
536.885910**

HOW TO ORDER REPAIR PARTS

CRAFTSMAN®

8 HORSEPOWER 26" DUAL STAGE TRAC-PLUS 120V. ELECTRIC START SNOW THROWER

Each SNOW THROWER has its own MODEL NUMBER found on the motor mount frame.

Each ENGINE has its own MODEL NUMBER found on the BLOWER HOUSING.

Always mention these MODEL NUMBERS when requesting service or Repair Parts for your SNOW THROWER.

All parts listed herein may be ordered through any Sears Service Center/Department and most Sears Stores.

WHEN ORDERING REPAIR PARTS, ALWAYS GIVE THE FOLLOWING INFORMATION:

- * PRODUCT - "SNOW THROWER"
- * MODEL NUMBER - 536.885910
- * ENGINE MODEL NUMBER 143.806082
- * PART NUMBER
- * PART DESCRIPTION

"Your Sears merchandise has added value when you consider that Sears has service units nationwide staffed with Sears trained technicians...Professional technicians specifically trained on Sears Products, having the parts, tools and equipment to insure that we meet our pledge to you...we service what we sell."

SEARS, ROEBUCK AND CO., Chicago, IL 60684

307145 09/26/90

Printed in U.S.A.