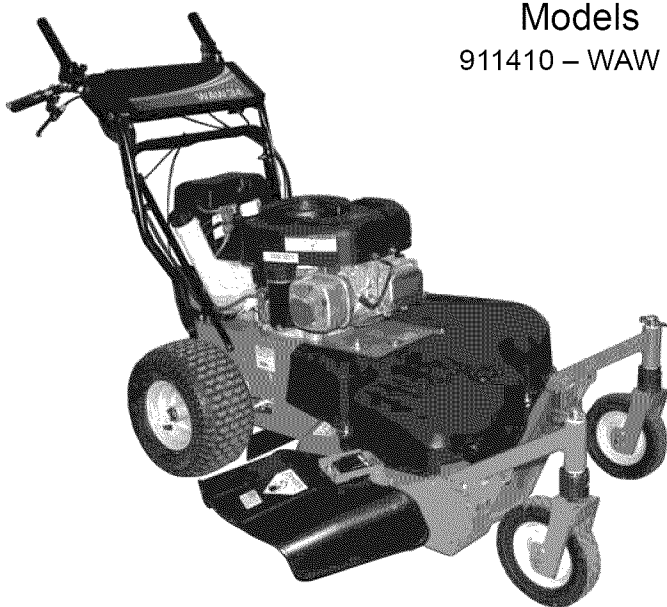




Wide Area Walk Mower

Owner/Operator Manual

Manuel du Propriétaire/Utilisateur



Models

911410 – WAW 34



GB ENGLISH

F FRENCH

01325600 12/09
Printed in USA

TABLE OF CONTENTS

Safety	4	Storage	23
Assembly	9	Troubleshooting.....	24
Controls and Features.....	11	Service Parts	25
Operation	12	Accessories	25
Maintenance.....	16	Specifications	26
Service and Adjustments	19	Warranty	27

INTRODUCTION

NON-ENGLISH MANUALS

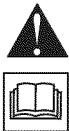


Manuals in languages other than English may be obtained from your Dealer. Visit your dealer or www.ariens.com for a list of languages available for your equipment.

Manuals printed in languages other than English are also available as a free download on our website:

<http://www.ariens.com>

MANUALES EN IDIOMAS DIFERENTES DEL INGLES

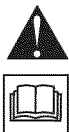


Puede obtener manuales en idiomas diferentes del inglés en su distribuidor. Visite a su distribuidor o vaya a www.ariens.com para obtener una lista de idiomas disponibles para su equipo.

También puede imprimir manuales en idiomas diferentes del inglés descargándolos gratuitamente de nuestra página Web:

<http://www.ariens.com>

MANUELS NON ANGLAIS



Des manuels dans différentes langues sont disponibles chez votre revendeur. Rendez-vous chez votre revendeur ou allez sur le site www.ariens.com pour consulter la liste des langues disponibles pour votre équipement.

Les manuels imprimés dans des langues différentes de l'anglais sont également disponibles en téléchargement gratuit sur notre site Web :

<http://www.ariens.com>

THE MANUAL

Before using the unit, carefully and completely read your manuals. The contents will give you an understanding of safety instructions and controls during normal operation and maintenance.

All reference to left, right, front, or rear are given from the operator's position, facing the direction of forward travel.

SERVICE AND REPLACEMENT PARTS

When ordering replacement parts or making service inquiries, know the Model and Serial numbers of your unit and engine.

Numbers are located on the product registration form in the unit literature package. They are also printed on a serial number label, located on the frame of your unit (Figure 1).

Unit Serial Number Label

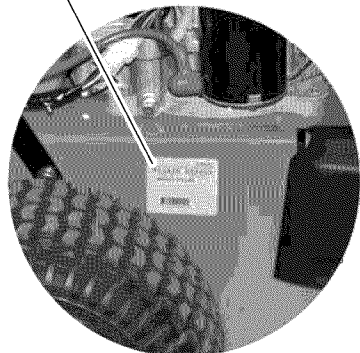


Figure 1

- Record Unit Model and Serial numbers here:

- Record Engine Model & Serial numbers here:

PRODUCT REGISTRATION

The Ariens dealer must register the product at the time of purchase. Registering the product will help the company process warranty claims or contact you with the latest service information. All claims meeting requirements during the limited warranty period will be honored, whether or not the product registration card is returned. Keep a proof of purchase if you do not register your unit.

Customer Note: If the Dealer does not register your product, please fill out, sign and return the product registration card to Ariens or go to www.ariens.com on the internet.

UNAUTHORIZED REPLACEMENT PARTS

Use only Ariens replacement parts. Replacing any part on this vehicle with anything other than an Ariens authorized replacement part may adversely affect the performance, durability, or safety of this unit and may void the warranty. Ariens disclaims liability for any claims or damages, whether warranty, property damage, personal injury or death arising out of the use of unauthorized replacement parts. To locate your nearest Ariens Dealer, go to www.ariens.com on the internet.

DEALER DELIVERY

Dealer should:

1. Check that all assembly and adjustments have been properly completed.
2. Fill out Original Purchaser Registration Card and return the card to Ariens.
3. Explain Ariens Limited Warranty Policy.
4. Explain recommended lubrication and maintenance. Advise customer on adjustments. Remind customer to change oil in 4 cycle engine crankcase after first five (5) hours of operation.
5. Instruct customer on controls and operation of unit. Discuss and emphasize the Safety Rules. Give customer Owner/Operator, Parts, and Engine manuals. Advise customer to thoroughly read and understand them.

DISCLAIMER

Ariens reserves the right to discontinue, make changes to, and add improvements upon its products at any time without public notice or obligation. The descriptions and specifications contained in this manual were in effect at printing. Equipment described within this manual may be optional. Some illustrations may not apply to your unit.

SAFETY



WARNING: This cutting machine is capable of amputating hands and feet and throwing objects. Failure to observe the safety instructions in the manuals and on decals could result in serious injury or death.

Slopes are a major factor related to slip and fall accidents. Operation on all slopes requires extra caution.

Tragic accidents can occur if the operator is not alert to the presence of children. Never assume that children will remain where you last saw them.

Gasoline is extremely flammable and the vapors are explosive, handle with care.

Stop unit and engine, remove key (if equipped) and allow moving parts to stop before leaving operator's position.



CAUTION: POTENTIALLY HAZARDOUS SITUATION! If not avoided, MAY RESULT in minor or moderate injury. It may also be used to alert against unsafe practices.

NOTATIONS

NOTE: General reference information for proper operation and maintenance practices.

IMPORTANT: Specific procedures or information required to prevent damage to unit or attachment.

PRACTICES AND LAWS

Practice usual and customary safe working precautions, for the benefit of yourself and others. Understand and follow all safety messages. Be alert to unsafe conditions and the possibility of minor, moderate, or serious injury or death. Learn applicable rules and laws in your area.

REQUIRED OPERATOR TRAINING

Original purchaser of this unit was instructed by the seller on safe and proper operation. If anyone other than the original purchaser will use the unit, ALWAYS provide this manual and any needed safety training before operation.

SAFETY ALERTS



Look for these symbols to point out important safety precautions. They mean:



Attention!

**Personal Safety Is Involved!
Become Alert!**

Obey The Message!

The safety alert symbols above and signal words below are used on decals and in this manual.

Read and understand all safety messages.



DANGER: IMMINENTLY HAZARDOUS SITUATION! If not avoided, WILL RESULT in death or serious injury.



WARNING: POTENTIALLY HAZARDOUS SITUATION! If not avoided, COULD RESULT in death or serious injury.

SAFETY DECALS AND LOCATIONS

ALWAYS replace missing or damaged safety decals. Refer to Figure 2 for safety decal locations.

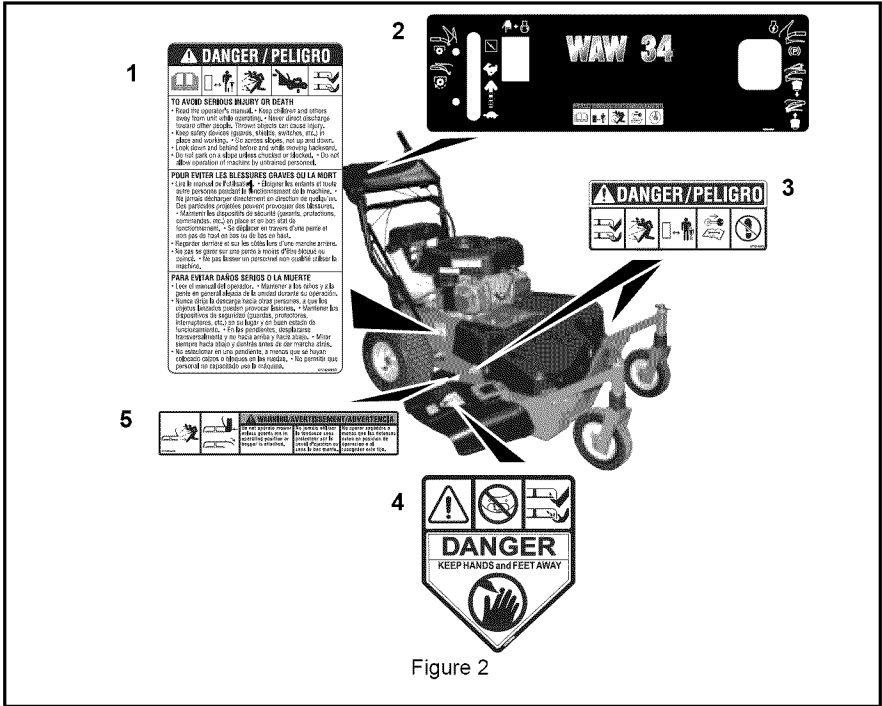


Figure 2

1. DANGER! TO AVOID SERIOUS INJURY OR DEATH

Read the operator's manual.



OL1801

Keep children and others away from unit while operating.



OL4370

Never direct discharge toward other people. Thrown objects can cause injury.



OL0910



OL1812

Do not operate mower unless guards are in operating position or entire bagger is attached.



Keep safety devices (guards, shields, switches, etc.) in place and working.

- Go across slopes, not up and down.
- Look down and behind before and while moving backward.
- Do not park on a slope unless chocked or blocked.
- Do not allow operation of machine by untrained personnel.

2. WARNING!



OL1801

Read the operator's manual.



OL4370

Keep children and others away from unit while operating.



OL0910

Never direct discharge toward other people. Thrown objects can cause injury.



OL1812

Shut off engine, remove key, and read manual before you adjust or repair unit.



Wear appropriate hearing protection.

3. DANGER! ROTATING PARTS



OL1809

Always keep feet and hands away from rotating parts.



OL1810

Always stand clear of discharge area. Do not direct discharge toward other people.



OL1811

Keep people away from unit while operating.



OL1812

Shut off engine, remove key, and read manual before you adjust or repair unit.



OL1813

NO STEP! Always keep feet away from rotating parts.

4. DANGER!

KEEP HANDS AND FEET AWAY

Do not operate mower unless guards are in operating position or bagger is attached.

5. WARNING!



OL1814

Always stand clear of discharge area.



OL1815

Do not operate mower unless bagger is attached or guards are in operating position.

SAFETY RULES

If unit is to be used by someone other than original purchaser; loaned, rented or sold, **ALWAYS** provide this manual and any needed safety training before operation.

Learn applicable rules and laws in your area, including those that may restrict the age of the operator.

Read, understand and follow all safety practices in Owner/Operator Manual before beginning assembly. Failure to follow instructions could result in personal injury and/or damage to unit.

If the operator or the mechanic cannot read the manual, it is the owner's responsibility to explain it to them. Only the user can prevent and is responsible for accidents or injuries occurring to themselves, other people or property.

ALWAYS remove key (if equipped) and disconnect wire from spark plug before assembly. Unintentional engine start up can cause death or serious injury.

Complete a walk around inspection of unit and work area to understand:

- work area
- your unit
- all safety decals.

Clear work area of stones, sticks, wire and foreign objects which might be picked up and thrown. Tall grass can hide obstacles.

Know the work area. Stay alert for holes, rocks, rough terrain and hidden hazards.

Keep away from drop-offs, ditches, or embankments that could cause operator to lose footing or control of unit.

ALWAYS be aware of traffic when operating along streets or curbs.

Keep work area clear of all persons, children and pets.

Keep children out of the work area and under the watchful care of a responsible adult.

ALWAYS operate unit when there is good visibility and light.

DO NOT mow wet grass.

ALWAYS be sure of your footing. Keep a firm hold on handlebar. Walk, NEVER run.

Engine/blade control feature on mower stops engine and blade within 5 seconds whenever operator releases PTO lever. Check this feature frequently. If feature fails to operate, disconnect spark plug wire and adjust or have it repaired before using unit.

Only trained adults may operate or service unit. Training includes actual operation. The owner is responsible for training users.

NEVER operate after or during the use of medication, drugs or alcohol. Unit requires complete and unimpaired attention.

NEVER allow children to use or service mower.

ALWAYS keep hands and feet away from rotating parts. Rotating parts can cut off body parts.

ALWAYS keep hands away from pinch points.

Fumes from engine exhaust can cause death or serious injury. DO NOT run engine in an enclosed area.

ALWAYS protect eyes, face, and body with adequate safety gear and protective clothes. Wear sturdy footwear, gloves, a hard hat and safety goggles or safety glasses with side shields while operating mower.

Wear appropriate hearing protection.

NEVER operate mower barefoot or when wearing open sandals or canvas shoes.

NEVER wear loose clothes, long hair or jewelry that may get caught in rotating parts.

ALWAYS stand clear of discharge when operating unit.

NEVER direct discharge toward bystanders.

Operator is responsible for bystander safety.

DO NOT touch hot parts. Allow parts to cool.

Keep safety devices or guards in place and functioning properly. NEVER modify or remove safety devices.

Read, understand, and follow all instructions in the manual and on the machine before starting. Understand:

- How to operate all controls
- The functions of all controls
- How to STOP in an emergency.

DO NOT attempt to start your engine until you know what the controls do and how they work.

DO NOT tilt mower when starting it.

Keep feet away when starting engine.

DO NOT start the engine or operate mower without side discharge cover or side discharge deflector installed.

Never leave a running unit unattended.

Take all possible precautions when leaving unit unattended.

ALWAYS shut off engine, remove key (electric start models) and disconnect spark plug wire to prevent accidental starting or unauthorized use.

Stop engine if anyone enters the work area.

NEVER attempt to make any adjustments to unit while engine is running (except where specifically recommended). Stop engine, remove key (electric start models) and wait for all moving parts to stop before servicing.

DO NOT make cutting height wheel adjustments while the engine is running.

If you strike an object, or if equipment vibrates abnormally, stop engine at once, wait for moving parts to stop and disconnect wire from spark plug. Repair any damage before restarting unit.

Stop engine before removing and emptying grass bag.

When mulching or bagging, ALWAYS install side discharge cover.

When side discharging, ALWAYS install side discharge deflector.

ALWAYS shut off engine, allow blade to stop and disconnect spark plug wire before clearing clogs or cleaning unit.

Check grass bag for wear, damage, and/or deterioration. Replace only with Ariens original equipment replacement parts for safety.

To reduce fire hazard and overheating, keep equipment free of grass, leaves, debris or excessive lubricants.

Use extra care when approaching blind corners, shrubs, trees, or other objects which may obscure vision.

DO NOT mow at too fast a rate. DO NOT change engine governor setting or over-speed the engine.

Do not operate mower on gravel or loose material such as sand. Stop mower when crossing drives, walks, or roads to prevent damage or injury from thrown objects.

DO NOT pull mower backwards unless absolutely necessary. Look down and back, especially for small children, before and while moving backwards.

On self-propelled models, releasing wheel drive control must stop mower's forward movement. If this feature fails to operate, disconnect spark plug wire and repair before using unit.

On self-propelled models, wheel drive must be disengaged when starting engine.

DO NOT operate on steep slopes.

NEVER leave unit unattended on a slope.

Check wheels if parking on a slope.

Mow across the face of slopes, never up and down. Be especially cautious when changing direction on slopes.

This product is equipped with an internal combustion engine. DO NOT use on or near any unimproved, forest or brush covered land unless the exhaust system is equipped with a spark arrester meeting applicable local, state or federal laws. A spark arrester, if used, must be maintained in effective working order by the operator. See your Ariens Dealer or engine manufacturer's service center.

Emission Control System Certification Label

NOTE: Tampering with emission controls and components by unauthorized personnel may result in severe fines or penalties. Emission controls and components can only be adjusted by EPA and/or CARB authorized service centers. Contact your Ariens Equipment Retailer concerning emission controls and component questions.

Fuel is highly flammable and its vapors can explode. ONLY use approved fuel containers.

- NO Smoking!
- NO Sparks!
- NO Flames!
- Allow engine to cool before filling fuel tank.

Never fill containers inside a vehicle or on a truck or trailer bed with a plastic liner. Always place containers on the ground away from your vehicle before filling.

When practical, remove gas-powered equipment from the truck or trailer and refuel it on the ground. If this is not possible, then refuel such equipment on a trailer with a portable container, rather than from a gasoline dispenser nozzle.

Keep the nozzle in contact with the rim of the fuel tank or container opening at all times until fueling is complete. Do not use a nozzle lock-open device.

Check fuel supply before starting engine.

DO NOT fill gasoline tank indoors, when engine is running, or while engine is hot.

Allow engine to cool several minutes before removing fuel cap.

DO NOT overfill. Allow about 1/4" (6 mm) of tank space for fuel expansion.

Replace gasoline tank cap securely and clean any spilled fuel before starting engine.

If fuel is spilled on clothing, change clothing immediately.

NEVER store fuel inside where there is an open flame, such as a water heater.

ALWAYS drain fuel outdoors away from ignition sources.

ALWAYS shut off and remove key, engine when transporting unit on a truck or trailer.

Avoid Electric Shock. DO NOT disconnect wire from spark plug while engine is running.

Do NOT put battery in fire or mutilate.

Explosive Gases!

NO flames, NO sparks, NO smoking, near battery.

Poisonous battery fluid contains sulfuric acid. Contact with skin, eyes or clothing can cause severe chemical burns.

ALWAYS wear safety glasses and protective gear near battery.

ALWAYS keep batteries out of reach of children.

Battery posts, terminals and related accessories contain lead and lead compounds, chemicals known to the State of California to cause cancer and reproductive harm. Wash hands after handling.

Charge batteries in an open, well-ventilated area, away from spark and flames. Unplug charger before connecting or disconnecting battery. Wear protective clothing and use insulated tools.

Accidental engine start up can cause death or serious injury. Except where specifically recommended, ALWAYS stop engine, remove key (electric start models), wait for moving parts to stop, allow parts to cool and disconnect spark plug wire before inspecting, servicing, adjusting or repairing unit.

Keep mower free of grass, leaves, or other debris build-up.

Keep equipment in good condition.

Maintain or replace safety and instruction labels, as necessary.

Follow engine manufacturer's safety instruction when servicing engine.

Check all hardware at regular intervals, especially blade attachment bolts. Keep all hardware properly tightened.

An extension spring, when extended, stores energy and can be dangerous. Always use tools specifically designed for installing or removing an extension spring. Always compress or extend springs slowly.

Before tipping unit, remove fuel and battery (if equipped).

Use extra care when loading or unloading unit onto trailer or truck.

Ensure all wheel blocks, jack stands and tie downs will support unit during maintenance.

Replace worn-out mufflers immediately.

Continued use could result in fire or explosion.

Sharp edges can cut or amputate fingers or a hand. Wrap blade or wear sturdy gloves to service.

Only replace blades. NEVER straighten or weld blades.

Use only replacement parts designed for your unit. See your Ariens Dealer.

Allow engine to cool before storing in any enclosure.

ALWAYS clean unit before extended storage. See engine manual for proper storage.

DO NOT store unit inside a building with fuel in the fuel tank where any ignition sources are present.

Use only accessories which have been approved by Ariens and are properly installed.

Use only accessories or attachments that are designed for your unit and that can be used safely on your terrain.

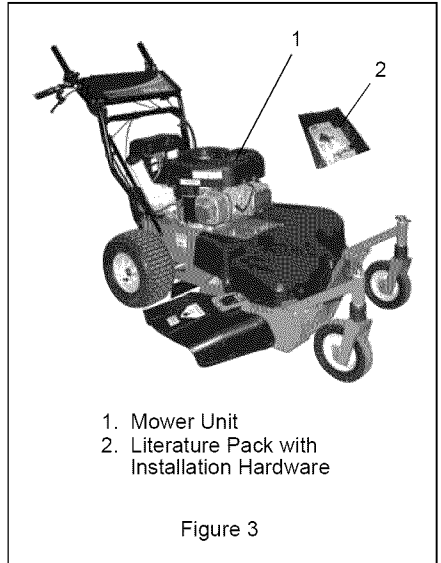
Check attachments frequently and replace worn or damaged components with manufacturer's recommended parts.

ASSEMBLY



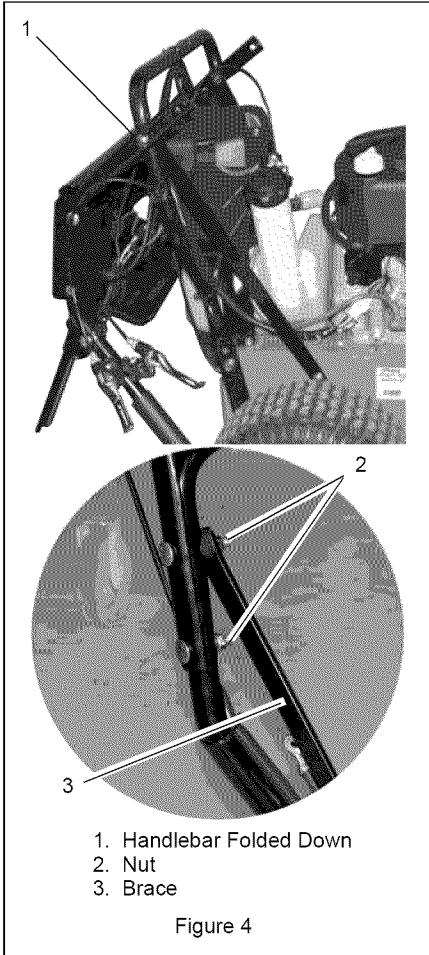
CAUTION: AVOID INJURY. Read and understand the entire *Safety* section before proceeding.

CARTON CONTENTS



ASSEMBLY

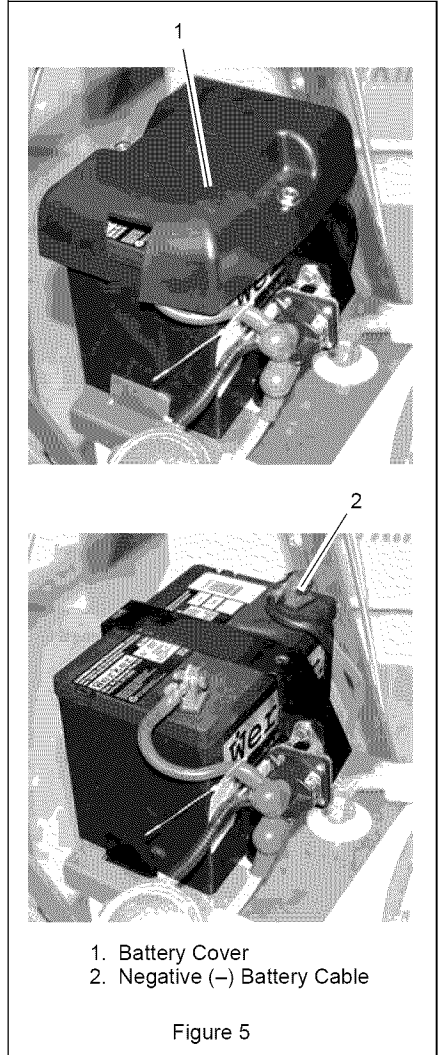
1. Remove all packing materials and straps from unit.
2. Remove one pair of nuts and bolts from the handlebars.
3. Rotate the handlebar into the operating position and connect the two braces to the handlebars.
4. Replace the nuts removed in step 1 and then tighten all four nuts.



5. Check engine crankcase oil level. See engine manual.
6. Connect the battery ground cable (-) to the negative battery terminal.
7. Fill fuel tank. See *FILLING THE FUEL TANK* on page 14.

NOTE: After the first twenty-five hours of operation, belt wear may require the PTO clutch cable and the drive control cables to be adjusted. See *Forward/Reverse Drive Controls* on page 19 and *Wheel Drive Belts* on page 20.

IMPORTANT: Do not operate the unit without understanding how the controls work and how to safely start, stop and operate the unit.



CONTROLS AND FEATURES

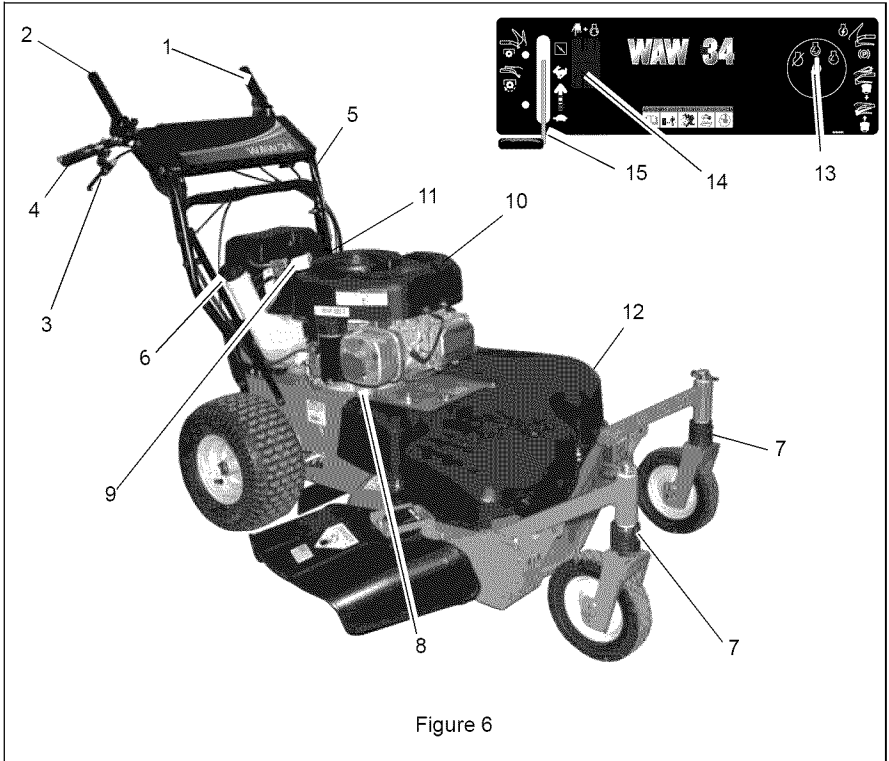


Figure 6

1. PTO Clutch Lever
2. Parking Brake Release Lever
3. Forward Drive Control
4. Reverse Drive Control
5. Handlebars
6. Fuel Tank and Cap
7. Height Adjustment Spacers
8. Muffler
9. Oil Fill/Dipstick
10. Air Filter
11. Fuel Filter
12. Belt Cover
13. Ignition Key
14. Safety Start Switch
15. Throttle/Choke Control

OPERATION

CONTROLS AND FEATURES

See Figure 6 for locations.



WARNING: Improper operation can lead to injury. Learn what the controls do and how they work. Thoroughly read and understand entire Operator Manual.



CAUTION: AVOID INJURY. Read and understand the entire *Safety* section before proceeding.

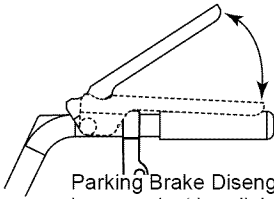
Parking Brake Lever (Right Hand Lever)

Hold the parking brake lever against the handlebar to release the wheel lock pin and operate the unit.

Release the parking brake lever to engage wheel lock pin and prevent the unit from rolling forward or backward.

IMPORTANT: The wheel lock pin prevents the unit from rolling forward or backward. The unit can still pivot from side to side.

Parking Brake Engaged: Unit will not roll forward or backward.



Parking Brake Disengaged: Hold lever against handlebar to operate the unit.

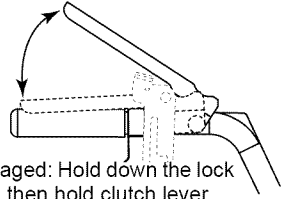
PTO Clutch Lever (Left Hand Lever)

Hold down the lock lever and then squeeze the PTO clutch lever against the handlebar to engage the clutch and start the mower blades.

Release the clutch lever to stop the blades.

NOTE: The lock lever prevents the PTO clutch lever from being squeezed accidentally. It will engage each time you release the clutch lever.

PTO Disengaged: Mower blades stop rotating.



PTO Engaged: Hold down the lock lever and then hold clutch lever against handlebar to engage the clutch and start the mower blades.

CUTTING HEIGHT ADJUSTMENT



DANGER: Avoid injury from rotating blade. ALWAYS shut off engine before adjusting cutting height.

Cutting Height Settings Chart

Spacers Below Caster Arms	Cut Grass Length
0	1-3/4" (44.4 mm)
1	2" (50.8 mm)
2	2-1/2" (63.5 mm)
3	2-3/4" (69.8 mm)
4	3" (76.2 mm)
5	3-1/4" (82.6 mm)
6	3-1/2" (88.9 mm)

NOTE: Placing the spacers above the caster arm lowers the deck and decreases cutting height. Placing the spacers below the caster arm raises the deck and increases the cutting height.

To change cutting height, remove the lock pin from the top of the caster fork. Raise the caster arm high enough to expose the flats and lower pin hole on the caster fork spindle. Insert the lock pin into the lower hole to support the arm while adjusting the cutting height spacers (Figure 7).

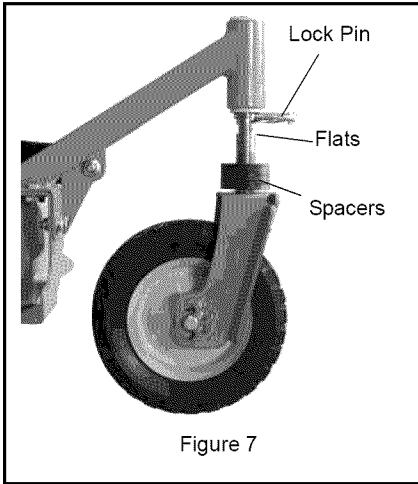


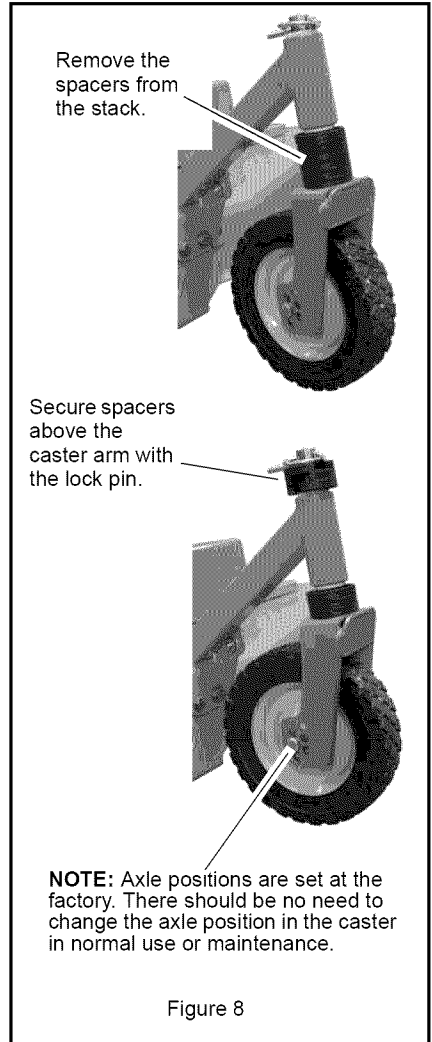
Figure 7

Align the open ends of the spacers with the flats on the castor spindle and remove the spacers one at a time until enough are left at the bottom for the desired cutting height.

Remove the lock pin while supporting the castor arm. Lower the arm on top of the remaining spacers. Put the spacers that were removed in the castor spindle above the support tube as shown (Figure 8).

Reinstall the lock pin into the top hole and flip over the lock ring to secure the remaining spacers and pin.

NOTE: Set both wheels at the same height for a level cut.



Secure spacers above the castor arm with the lock pin.

NOTE: Axle positions are set at the factory. There should be no need to change the axle position in the castor in normal use or maintenance.

Figure 8

Forward Drive Control (Lower Right Hand Control)



CAUTION: Unit will move at engine start if the wheel drive controls are engaged. ALWAYS release the wheel drive controls before starting unit.

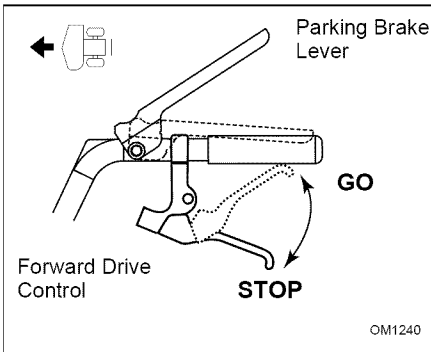
NOTE: Engine must be running for wheel drive to propel unit.

To drive forward:

Hold the parking brake lever against the handlebar and slowly squeeze and hold the forward drive control. Hold the forward drive control against the handlebar for fastest speed.

To stop:

Release forward drive control.



Reverse Drive Control (Side Right Hand Control)



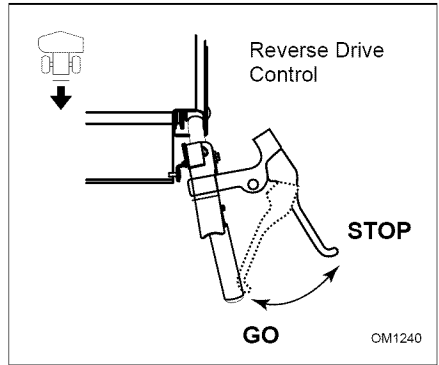
CAUTION: Unit will move at engine start if the wheel drive controls are engaged. ALWAYS release the wheel drive controls before starting unit.

To drive in reverse:

Hold the parking brake lever against the handlebar and slowly squeeze and hold the reverse drive control. Hold the reverse drive control against the handlebar for fastest speed.

To stop:

Release reverse drive control.



FILLING THE FUEL TANK

To add fuel to fuel tank:

1. Put unit in open or well-ventilated area.
2. Stop engine and allow to cool.
3. Clean fuel cap and surrounding area.
4. Remove cap.

IMPORTANT: See engine manual for correct type and grade of fuel.

5. Fill fuel tank. (see *SPECIFICATIONS* on page 26 for tank capacity.)
6. Replace fuel cap and tighten.
7. ALWAYS clean any spilled fuel.

GASOLINE

IMPORTANT: ALWAYS use gasoline that meets the following guidelines:

- Clean, fresh gasoline.
- A minimum of 87 octane/87 AKI (91 RON). High altitude use may require a different octane. Consult your engine manual.
- Gasoline with up to 10% ethanol (gasohol) or up to 15% MTBE (methyl tertiary butyl ether) is acceptable.
- Use of any gasoline other than those approved above may void the engine warranty. If the pumps are not marked for the content of alcohol or ethers, check ethanol and MTBE levels with the fuel supplier.
- Do not modify the fuel system to use different fuels.
- Never mix oil and gasoline.

NOTE: All gasoline is not the same. If the engine experiences starting or performance problems after using a new gasoline, switch to a different fuel provider or fuel brand.

IMPORTANT: Excessively oxygenated or reformulated fuels (fuels blended with alcohols or ethers) can damage the fuel system or cause performance problems. If any undesirable operating problems occur, use a gasoline with a lower percentage of alcohol or ether.

Fuel Stabilizer

Gasoline left in the fuel system for extended periods without a stabilizer will deteriorate, resulting in gum deposits in the system. These deposits can damage the carburetor and the fuel hoses, filter and tank. Prevent deposits from forming in the fuel system during storage by adding a quality fuel stabilizer to the fuel. Follow the recommended mix ratio found on the fuel stabilizer container.

EMERGENCY STOPPING

NOTE: The engine will run after the clutch and parking brake levers are released. ALWAYS shut off the engine with the ignition key and remove the key before leaving the operator's position.

To stop the mower in an emergency:

1. Release the PTO clutch lever and the parking brake lever.
2. Turn the ignition key to the "OFF" position.
3. Allow all moving parts to stop before leaving operator's position.

STARTING AND SHUT OFF



WARNING: Improper operation can lead to injury. Learn what the controls do and how they work. Thoroughly read and understand entire Operator Manual.

See Figure 6 for all Controls and Features.

NOTE: Start engine on a level surface that is free of debris.

Electric Start

1. Check each item under Before Each Use in the *MAINTENANCE SCHEDULE* on page 16.
2. Place throttle control in the choke position. Once the engine has started, place throttle in the high speed detent.
3. Hold down the safety switch on the dash panel and turn the ignition key to the Start position.
4. Release the key and the safety switch once engine starts.

Shut Off

1. Release the PTO clutch lever, the parking brake lever, and the wheel drive controls and allow unit to stop completely.
2. Turn the ignition key to the "OFF" position.

Mowing Tips

Cut grass when it is dry.

Keep mower blades sharp.

Do not set cutting height too low. For tall grass, mow twice.

Do not mow too fast.

Mow with engine at full throttle. Discharge clippings into areas already cut.

Vary cutting pattern with each mowing.

NOTE: To prevent dirt and grass from collecting on mower pan, avoid operating over bare ground with only patches of grass.

Mulching Tips

For best mulching performance, cut no more than 1 inch (2.54 cm) of grass per cutting.

MAINTENANCE



CAUTION: AVOID INJURY. Read and understand the entire *Safety* section before proceeding.

Ariens Dealers will provide any service, parts or adjustments which may be required to keep your unit operating at peak efficiency. Should engine require service, contact an Ariens Dealer or an authorized engine manufacturer's service center.

MAINTENANCE SCHEDULE

NOTE: Some working conditions (heavy loads, high ambient temperatures, dusty conditions, or airborne debris) may require more frequent service.

See engine manual for further maintenance and troubleshooting information.

MAINTENANCE SCHEDULE

Service Performed	Before Each Use	25 hrs	50 hrs	100 hrs
Check PTO Clutch	•			
Check Wheel Drive Control	•			
Clean Unit	•			
Check Engine Oil	•			
Check Mower Blade	•			
Check Drive Belts	•			
Check Fasteners	•			
Check Air Cleaner		•		•
Change Engine Oil			•*	
General Lubrication		•		
Check Spark Plug				•
Check Engine Cooling	•			•
Check Muffler				•

* After first 5 Hours of operation.

CHECK PTO CLUTCH LEVER CONTROL

The engine and blade must stop within 5 seconds after releasing the control. If the blade continues to run, adjust or repair control immediately.

NOTE: If the blade makes a scraping sound when the PTO lever is released, the blade brake is faulty. Contact an Ariens Dealer immediately for repair.

CHECK WHEEL DRIVE CONTROL

The unit must stop quickly and completely when the drive controls are released. Adjust or repair if necessary. See *Forward/Reverse Drive Controls* on page 19.

CLEAN UNIT

Before each use clean unit, muffler and engine surfaces of debris, oil or fuel spills to ensure proper cooling and prevent fires.

NOTE: Do not spray the unit with water, especially when the unit is warm from operation. Water can seep into bearings and damage them.

CHECK ENGINE OIL

IMPORTANT: Maintain proper oil level at all times or engine damage will result.

Check the level of the engine crankcase oil before each use.

Make sure engine is level when checking oil. See engine manual for instructions.

CHECK MOWER BLADE

See Figure 10.

Check blade mounting: blade must be secure and torqued to 92 – 130 lbf-ft (125 to 176 N•m).

Check blade for nicks and dull cutting edges. Sharpen if necessary.

Check blade for rounded or broken ends, thinned metal or other damage. Replace if necessary.

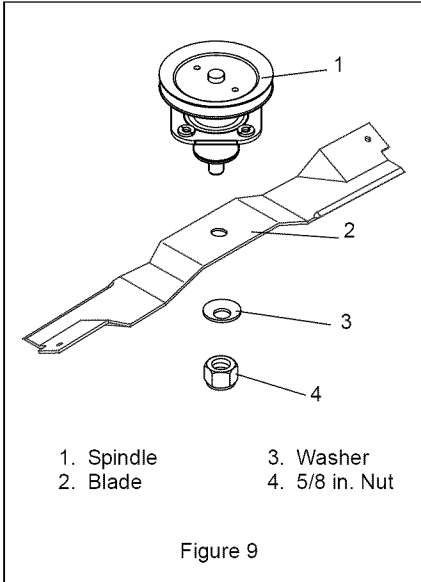
NOTE: Blades should be sharpened and balanced professionally. Contact your Ariens Dealer.

To remove blade:

1. Stop engine, wait for all moving parts to stop, and disconnect spark plug wire.
2. Block blade to prevent rotation.
3. Remove mounting hardware and mower blades from mower deck. See Figure 9.

To install blade:

1. Install mower blades on mower deck with mounting hardware.
2. Torque 5/8-inch nut to 92 to 130 lbf-ft (125 to 176 N•m).
3. Connect spark plug wire.



Sharpen the Mower Blades



CAUTION: DO NOT sharpen mower blades while on unit. An imbalanced mower blade will cause excessive vibration and eventual damage to unit. Check mower blade balance before reinstalling blades.
NEVER weld or straighten bent blades.

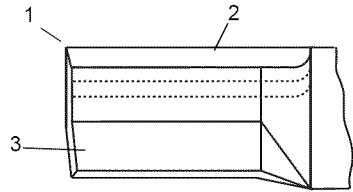
1. Remove mower blade from unit.

Discard mower blade if:

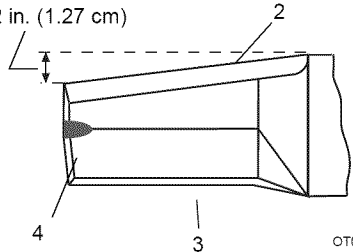
- More than 1/2 in. (1.27 cm) of metal is removed.
- Air lifts become eroded.
- Blade is bent or broken.

2. Sharpen mower blade by removing an equal amount of material from each end of mower blade. DO NOT change angle of cutting edge or round the corner of the mower blade.

DO NOT Sharpen to This Pattern



DISCARD If More Than
1/2 in. (1.27 cm)



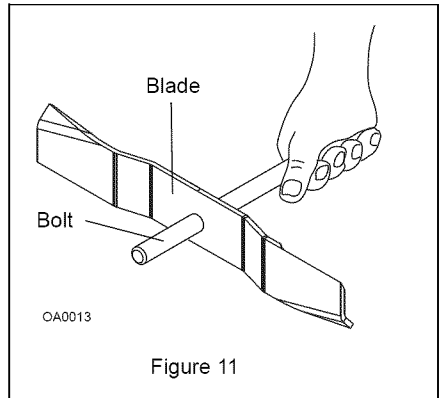
Sharpen to This Pattern

1. Square Corner
2. Cutting Edge
3. Air Lift
4. Air Lift Erosion

Figure 10

3. Check mower blade balance.

Slide mower blade on an unthreaded bolt. A balanced blade should remain in a horizontal position. If either end of mower blade moves downward, sharpen the heavy end until blade is balanced (Figure 11).



4. Install mower blade on unit.
5. Torque 5/8-inch nut to 92 to 130 lbf-ft (125 to 176 N•m).

CHECK DRIVE BELTS

Check drive belts and replace if worn or damaged. See *Wheel Drive Belts* on page 20.

CHECK FASTENERS

Check all fasteners for proper tightness. Pay special attention to blade hardware and all guards, shields and safety devices.

CHECK AIR CLEANER

See engine manual for specific information.

CHANGE ENGINE OIL

IMPORTANT: Change engine crankcase oil after first five (5) hours of operation. Then change oil after every 25 hours of operation. Refer to engine manual for instructions and proper oil type.

IMPORTANT: Proper oil level must be maintained at all times or engine damage will result. **DO NOT** overfill. Be sure engine is level when adding oil.

GENERAL LUBRICATION

The unit has sealed maintenance-free spindles and transmission. The unit should not require lubrication except for light oil or grease at pivot points.

CHECK SPARK PLUG

Spark plug should be replaced every 100 hours of operation or each year.

NOTE: Loose spark plug wire terminals can cause sparking. Replace terminal if damaged.

CHECK ENGINE COOLING



WARNING: HOT SURFACES can cause death or serious injury. **DO NOT TOUCH** parts which are hot from operation. **ALWAYS** allow parts to cool.

To prevent overheating, air must circulate freely around the cooling fins, cylinder head and block.

Every 100 hours of operation or yearly (more often if conditions require) remove blower housing and clean cooling fins. See engine manual for instructions.

CHECK MUFFLER

Check muffler for debris, cracks, wear, or other damage.



CAUTION: Replace worn-out mufflers immediately. Continued use could result in fire or explosion.

SERVICE AND ADJUSTMENTS



CAUTION: AVOID INJURY. Read and understand the entire *Safety* section before proceeding.

PTO CLUTCH



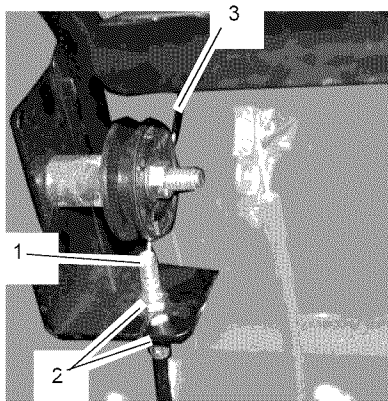
WARNING: If you cannot adjust the controls so the unit drives properly, immediately take the unit to your local authorized dealer for repairs.

1. Test the PTO clutch adjustment.
With the clutch disengaged, the blade brake pad should touch the upper pulley. With the clutch engaged, the blade brake pad should not touch the upper pulley and the deck belt should be under tension.
2. Loosen the lock nut on the cable adjuster under the dash panel.
3. Turn the adjuster body to tighten or loosen the clutch cable.

NOTE: There must be some slack in the clutch cable with the clutch disengaged.

4. Tighten the lock nut to hold the adjustment.

IMPORTANT: If you cannot adjust the PTO clutch or if it fails to operate properly, immediately take the unit to your Ariens dealer for repair.



1. Cable Adjuster
2. Lock Nut
3. Check Slack

Figure 12

Forward/Reverse Drive Controls



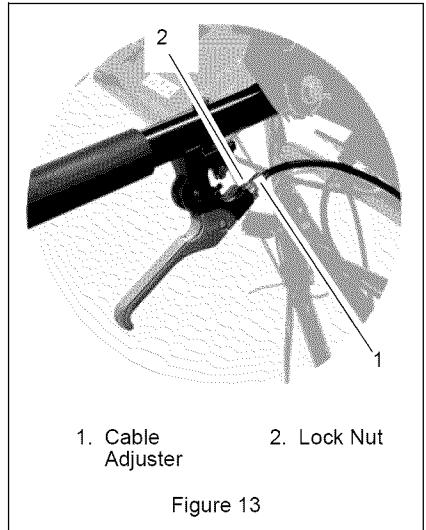
WARNING: If you cannot adjust the controls so the unit drives properly, immediately take the unit to your local authorized dealer for repairs.

After new belts have been worn in or if the drive seems to be losing power, the drive control cable may need adjustment.

Adjust both drive controls the same way.

1. Loosen the lock nut on the drive lever.
2. Turn the cable adjuster to tighten or loosen the cable.
3. Tighten the lock nut to hold the adjustment.
4. Test the drive.
Unit should move forward when the drive control is squeezed and it should coast to a stop when the drive control is released.

NOTE: The reverse drive control has been removed from the unit for clarity of the illustration.



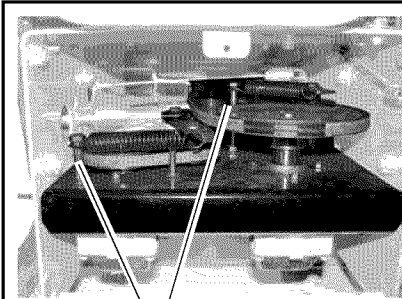
BELT REPLACEMENT



WARNING: AVOID INJURY.
ALWAYS block wheels, engage parking brake and know all jack stands are strong, secure and will hold weight of unit during maintenance.

Wheel Drive Belts

1. Stop engine, remove key, wait for all moving parts to stop and hot parts to cool.
2. Raise and support the rear of the unit.
3. Remove the rear cover and disconnect the neutral return springs from the spring anchors.



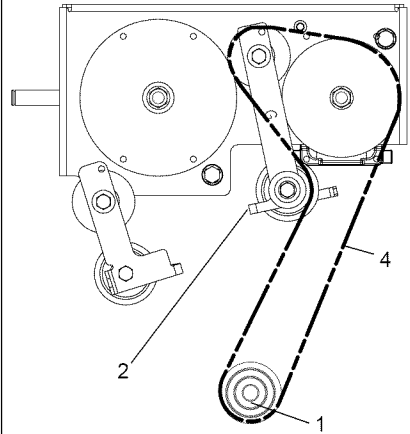
Disconnect neutral return springs from the spring anchors.

Figure 14

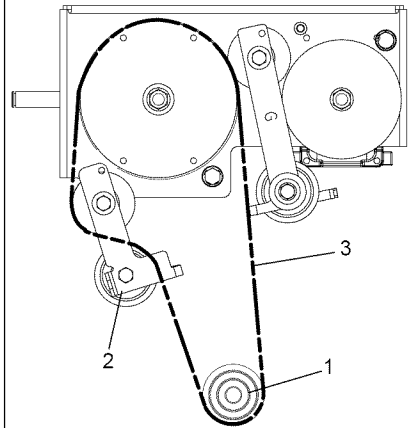
4. Remove the idler arm from the transmission plate. See Figure 15.
5. Remove the forward drive belt from the engine pulley and remove it from the unit.
6. Remove the reverse drive belt from the engine pulley and remove it from the unit.
7. Route the new reverse belt through the transmission idler arm and then install belt on the engine pulley. See Figure 15.
8. Route the new forward belt through the transmission idler arm and then install belt on the engine pulley. See Figure 15.
9. Install the idler arms on the transmission plate and install the belts on the transmission pulleys. See Figure 15.
10. Replace the rear cover.
11. Start the unit and test operation of the drive system. Adjust the wheel drive controls, if needed.

NOTE: Check the wheel drive control adjustment after the first 25 hours of use to compensate for belt wear.

Rear of Unit - Forward Drive Belt Routing



Rear of Unit - Reverse Drive Belt Routing



- | | |
|------------------|-----------------------|
| 1. Engine Pulley | 3. Reverse Drive Belt |
| 2. Idler Arm | 4. Forward Drive Belt |

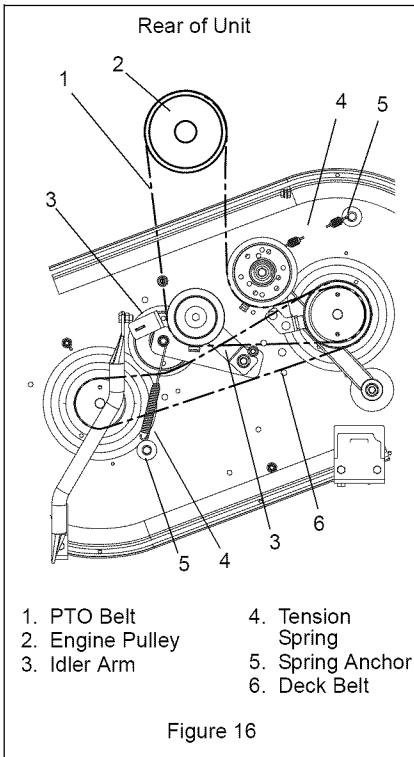
Figure 15

PTO Belt

1. Stop engine, remove key, wait for all moving parts to stop and hot parts to cool.
2. Remove the two drive belts from engine pulley. See *Wheel Drive Belts* on page 20.
3. Remove the belt cover from the deck.
4. Disconnect the two idler springs from the spring anchors.

NOTE: Do not remove the bolt holding the engine pulley to the crankshaft. Loosen it enough so the PTO belt clears the belt finger.

5. Loosen the bolt holding the engine pulley to the crankshaft and slide the pulley down until the PTO belt can be removed from the pulley.
6. Install the new belt on the engine pulley and on the deck pulleys.
7. Push the engine pulley up the crankshaft and tighten the mounting bolt to 55 lbf-ft (74.5 N•m).
8. Connect the two idler springs to spring anchors.
9. Replace the belt cover.
10. Replace the wheel two drive belts on the engine pulley.



Deck Belt

1. Stop engine, remove key, wait for all moving parts to stop and hot parts to cool.
2. Remove the two drive belts from engine pulley. See *Wheel Drive Belts* on page 20.
3. Remove the PTO belt from the PTO clutch. See *PTO Belt* on page 21.
4. Remove the two idler arms from the deck.
5. Remove the deck belt and install the new belt.
6. Replace the two idler arms on the deck.
7. Replace the PTO belt on the PTO clutch.

REPLACING MOWER BLADE

Remove (Figure 17)

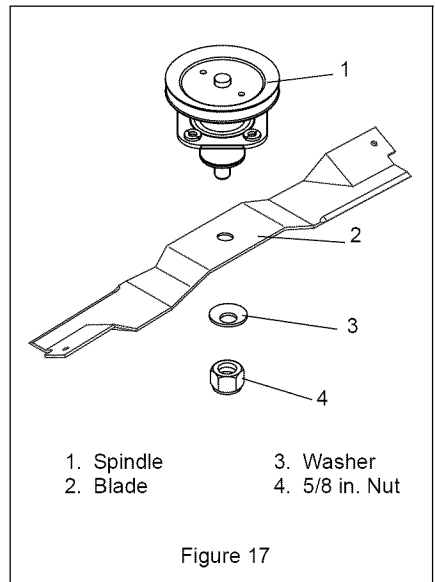


CAUTION: Mower blades are sharp and can cut you. Wrap the blades or wear gloves, and use extra caution when servicing them.

1. Block mower blades to prevent rotation.
2. Remove mounting hardware and mower blades from mower deck.

Install (Figure 17)

1. Install mower blades on spindles with mounting hardware.
2. Torque 5/8-inch nut to 92 to 130 lbf-ft (125 to 176 N•m).



SERVICING THE BATTERY

NOTE: Unit comes equipped with a maintenance-free battery that requires no regular maintenance except cleaning the terminals.



WARNING: Battery posts, terminals and related accessories contain lead and lead compounds, chemicals known to the State of California to cause cancer and reproductive harm. Wash hands after handling.

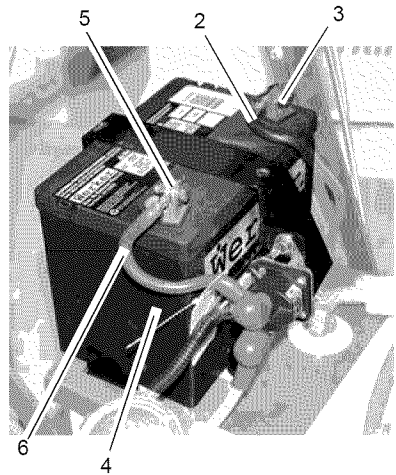
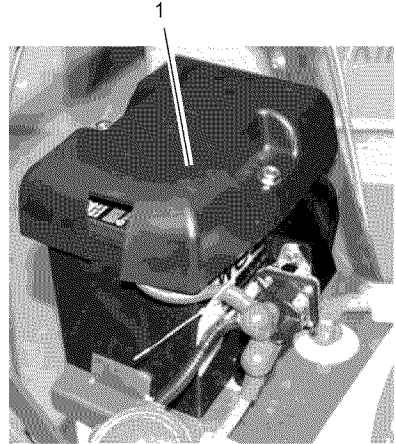
Battery Removal and Installation

Remove (Figure 18)

1. Remove the battery cover.
2. Disconnect negative (-) cable first, then positive (+) cable.
3. Remove battery from unit.

Install (Figure 18)

1. Install battery on the unit.
2. Connect positive (+) cable first, then negative (-) cable.
3. Apply petroleum jelly or dielectric grease to battery cable ends and terminals.
4. Replace the battery cover.



- | | |
|--------------------------|--------------------------|
| 1. Battery Cover | 4. Battery |
| 2. Negative (-) Cable | 5. Positive (+) Terminal |
| 3. Negative (-) Terminal | 6. Positive (+) cable |

Figure 18

Cleaning Battery and Battery Cables (Figure 18)

1. Remove the battery cover.
2. Disconnect negative (-) cable first, then positive (+) cable.
3. Clean battery cable ends, negative (-) terminal, and positive (+) terminal with a wire brush and rinse with a weak baking soda solution.

4. Connect positive (+) cable first, then negative (-) cable.
5. Apply petroleum jelly or dielectric grease to battery cable ends and terminals.
6. Replace belt cover.

Charging the Battery



WARNING: FROZEN BATTERIES CAN EXPLODE and result in death or serious injury. DO NOT charge a frozen battery. Let the battery thaw before charging.

Follow First Aid directions for contact with battery fluid.

- External Contact: Flush with water.
- Eyes: Flush with water for at least 15 minutes and get medical attention immediately!
- Internal Contact: Drink large quantities of water. Follow with Milk of Magnesia, beaten egg or vegetable oil. Get medical attention immediately!

- In case of internal contact, DO NOT induce vomiting!

IMPORTANT: DO NOT fast charge. Charging at a higher rate will damage or destroy battery.

IMPORTANT: ALWAYS follow information provided on battery and battery charger. Contact battery and battery charger manufacturers' for detailed instructions.

1. Remove battery from unit (see *Battery Removal and Installation* on page 22).
2. Place battery in a well-ventilated area.
3. Connect positive (+) lead of charger to positive (+) terminal, and negative (-) lead of charger to negative (-) terminal.
4. Charge battery according to battery charger and battery manufacturers' instructions.
5. Install battery on unit (see *Battery Removal and Installation* on page 22).

Jump-Starting

Ariens does not recommend jump-starting your unit. Jump-starting can damage engine and electrical system components. See your engine manual for more detailed information.

STORAGE



CAUTION: AVOID INJURY. Read and understand the entire *Safety* section before proceeding.

IMPORTANT: NEVER spray unit with high-pressure water or store unit outdoors. Store mower in a cool, dry, protected location.

Cleaning

NOTE: Allow unit to cool before cleaning.

Clean unit thoroughly with mild soap and low pressure water. Brush off dirt and debris from all surfaces. Touch up all scratched surfaces to prevent rust. Matching touch-up paint is available from your Ariens Dealer. Do not use abrasives, solvents, or harsh cleaners.

Inspection

Inspect mower and repair or replace worn or damaged parts to avoid delays when beginning use again.

Regularly check all hardware and keep fasteners tight. Know unit is in safe working condition.

Grass Bag

Wash out grass bag and allow to dry before storage. Grass bag may be stored in position on mower.

Engine

When storing unit for extended periods of time, remove all fuel from tank and carburetor (run dry). Refer to engine manual.

Fuel System

Gasoline left in the fuel system for extended periods without a stabilizer will deteriorate, resulting in gum deposits in the system. These deposits can damage the carburetor and the fuel hoses, filter and tank. Prevent deposits from forming in the fuel system during storage by adding a quality fuel stabilizer to the fuel. Follow the recommended mix ratio found on the fuel stabilizer container.

To treat the fuel system for storage:

1. Add fuel stabilizer according to manufacturer's instructions.
2. Run engine for at least 10 minutes after adding stabilizer to allow it to reach the carburetor.

NEVER store the engine with fuel in the fuel tank inside of a building with potential sources of ignition.

TROUBLESHOOTING

PROBLEM	PROBABLE CAUSE	CORRECTION
Engine will not start	<ol style="list-style-type: none"> 1. Safety switch not held down. 2. Ignition switch is faulty. 3. Wiring harness fuse is blown. 4. Loose or corroded battery cables. 5. Discharged battery. 6. Faulty starter. 7. Fuel tank empty. 	<ol style="list-style-type: none"> 1. Hold down safety switch while turning the ignition key. 2. Replace ignition switch. 3. Replace fuse. 4. Clean and tighten battery cables. 5. Charge the battery. 6. See your Dealer. 7. Fill fuel tank.
Engine is difficult to restart	<ol style="list-style-type: none"> 1. Out of fuel. 2. Fuel filter is dirty. 3. Faulty spark plug. 4. Air cleaner is plugged or dirty. 5. Faulty engine. 	<ol style="list-style-type: none"> 1. Fill fuel tank with clean, fresh fuel. 2. Replace fuel filter. 3. Replace spark plug. 4. Clean or replace air cleaner. 5. Refer to the engine manual or see your Dealer.
Cut is poor	<ol style="list-style-type: none"> 1. Deck is clogged with grass. 2. Blades are dull. 3. Cutting wet grass. 4. Cutting too low. 5. PTO belt is slipping. 	<ol style="list-style-type: none"> 1. Clean the deck cutting chamber. 2. Sharpen or replace blades. 3. Wait for grass to dry. 4. Raise cutting height and cut grass in two or more passes. 5. Adjust or replace PTO belt.
Grass does not disperse evenly	<ol style="list-style-type: none"> 1. Deck is clogged with grass. 2. Blades are dull. 3. Cutting wet grass. 4. Cutting too low. 	<ol style="list-style-type: none"> 1. Clean the deck cutting chamber. 2. Sharpen or replace blades. 3. Wait for grass to dry. 4. Raise cutting height and cut grass in two or more passes.
Mower does not bag clippings	<ol style="list-style-type: none"> 1. Deck is clogged with grass. 2. Blades are dull. 3. Cutting wet grass. 4. Cutting too low. 5. PTO belt is slipping. 	<ol style="list-style-type: none"> 1. Clean the deck cutting chamber. 2. Sharpen or replace blades. 3. Wait for grass to dry. 4. Raise cutting height and cut grass in two or more passes. 5. Adjust or replace PTO belt.
Wheel drive does not engage	<ol style="list-style-type: none"> 1. Loose or damaged drive belts. 2. Damaged drive cable. 3. Damaged transmission or drive component. 	<ol style="list-style-type: none"> 1. Adjust or replace drive belts. See <i>Wheel Drive Belts</i> on page 20. 2. Replace drive cable. See your authorized dealer for repairs. 3. See your authorized dealer for repairs.

SERVICE PARTS

Always use genuine Ariens parts to keep your mower running like new.

Part Number	Description
03746500	Blade
03797300	Mulching Blade
07200529	Forward Traction Belt
07200506	Reverse Traction Belt
07243300	PTO Belt
07234300	Deck Belt
21534100	Spark Plug

ACCESSORIES

See your authorized Ariens Dealer to add these optional accessories.

71106100	Bagger Kit
71510800	Mulch Kit

SPECIFICATIONS

Model Number	911410
Description	WAW 34
Length - in. (cm)	68.5 (174)
Height - in. (cm)	38 (96.5)
Width - in. (cm)	36 (91.4)
Actual Weight - lbs (kg)	276 (125.2)
Cutting Width- in. (cm)	34 (86.3)
Cutting Height - in. (cm)	1.75 – 3.5 (4.4 – 8.9)
Engine, 4 cycle	Briggs & Stratton
Model	I/C
Governed RPM (May be different from maximum rpm.)	3600 +/- 100
Displacement Cu. In. (cc)	21 (344)
Cylinder Bore	Aluminum
Engine Oil Type	See Engine Manual
Crank Case Capacity - Oz. (Liter)	48 (1.4)
Oil System	See Engine Manual
Spark Plug Gap - in. (mm)	See Engine Manual
Fuel Type	See Engine Manual
Fuel Tank Capacity - qt (Liter)	10 (9.5)
Air Cleaner	Dual Element
Starting	12V Electric
Differential	Yes
Forward Speed - MPH (km/hr)	3.5 (5.6)
Reverse Speed - MPH (km/hr)	2.0 (3.2)
Mower Deck	Two-Spindle
Front Wheel Dia - in. (cm)	8 (20.3)
Rear Wheel Dia - in. (cm)	13 (33)
Rear Wheel Tire Pressure psi (kPa)	28 (193)
Warranty	2-Year Consumer Warranty



Two-Year Limited Lawn and Garden Warranty

This warranty statement applies only to 21-Inch Walk Behind Lawn Mowers, Wide Area Walks, AMP Wide Area Walks, Tillers, String Trimmers, Log Splitters, Edgers and Power Brushes

Ariens Company (Ariens) warrants to the **original purchaser** that Ariens and Gravely brand consumer products manufactured and sold by Ariens will be free from defects in material and workmanship for a period of two years after the date of purchase. An authorized Ariens dealer (Ariens brand products) or Gravely dealer (Gravely brand products) will repair any defect in material or workmanship, and repair or replace any defective part, subject to the conditions, limitations and exclusions set forth herein. Such repair or replacement will be free of charge (labor and parts) to the original purchaser except as noted below.

Two-Year Limited Warranty on AMP™ Series Battery Packs and Subassemblies

The battery pack and/or battery subassemblies on AMP series electric mowers is/are warranted to the **original purchaser** for two years from the date of purchase. Ariens will replace, free of charge to the original purchaser, any battery pack and/or battery subassembly that fails due to defect in material or workmanship for one year after the date of purchase. For the next 12 months, Ariens will cover the prorated cost of replacing a battery pack and/or battery subassembly that fails due to defect in material or workmanship. This warranty does not apply to battery packs or battery subassemblies that fail due to accident, neglect, abuse, improper maintenance, improper storage or improper charging procedures.

One-Year Limited Warranty on Professional/Commercial 21-inch Walk-Behind Lawn Mowers

21-inch walk-behind lawn mowers labeled or designated by Ariens as a Professional/Commercial product put to any business use, agricultural, commercial, or industrial, are warranted to the **original purchaser** to be free from defects in material and workmanship for a period of one year after the date of purchase.

90-Day Limited Warranty on Service Parts and Accessories

Genuine Ariens or Gravely brand service parts and accessories are warranted to be free from defects in material and workmanship for a period of 90 days after the date of purchase. An authorized Ariens or Gravely dealer will repair or replace any such part or accessory free of charge, except for labor, during that period.

Except for 21-inch walk-behind lawn mowers labeled or designated by Ariens as a Professional/Commercial product, the duration of all warranties herein applies only if the product is put to personal use around a household or residence. If the product is put to any business use, agricultural, commercial, or industrial, then the duration of these warranties shall be 90 days after the date of purchase. If any product is rented or leased, then the duration of these warranties shall be 90 days after the date of purchase.

Exceptions, Limitations, Exclusions

Customer Responsibilities

Register the product immediately at the time of sale. If the dealer does not register the product, the customer must complete the product registration card in the literature package and return it to the Ariens Company, or register the unit online at www.ariens.com or www.gravely.com.

To obtain warranty service, the **original purchaser** must:

- Perform the maintenance and minor adjustments explained in the owner's manual.
- Promptly notify Ariens or an authorized Ariens or Gravely service representative of the need for warranty service.
- Transport the product to and from the place of warranty service.
- Have the warranty service performed by an authorized Ariens or Gravely service representative.

To find an Ariens or Gravely authorized service representative, contact Ariens at:

655 W. Ryan Street
Brillion, WI 54110
(920) 756 - 2141
www.ariens.com
www.gravely.com

Exceptions and Limitations

- Batteries are warranted only for a period of 12 months after date of purchase, on a prorated basis. For the first 90 days of the warranty period, a defective battery will be replaced free of charge. If the applicable warranty period is more than 90 days, Ariens will cover the prorated cost of any defective battery, for up to 12 months after the date of purchase. This battery limited warranty does not apply to the battery packs on AMP series products.

Exclusions – Items Not Covered by This Warranty

- Engines and engine accessories are covered only by the engine manufacturer's warranty and are not covered by this warranty.
- Parts that are not genuine Ariens or Gravely service parts are not covered by this warranty.
- The following maintenance, service and replacement items are not covered by this warranty unless they are noted in the Limitations section above: lubricants, spark plugs, oil, oil filters, air filters, fuel filters, brake linings, brake arms, brake shoes, runners, scraper blades, shear bolts, mower blades, mower vanes, tines, brushes, headlights, light bulbs, knives, cutters.
- Any misuse, alteration, improper assembly, improper adjustment, neglect, or accident which requires repair is not covered by this warranty.
- This warranty applies only to products purchased in the United States (including Puerto Rico) and Canada. In all other countries, contact place of purchase for warranty information.

Disclaimer

Ariens may from time to time change the design of its products. Nothing contained in this warranty shall be construed as obligating Ariens to incorporate such design changes into previously manufactured products, nor shall such changes be construed as an admission that previous designs were defective.

LIMITATION OF REMEDY AND DAMAGES

Ariens Company's liability under this warranty, and under any implied warranty that may exist, is limited to repair of any defect in workmanship, and repair or replacement of any defective part. Ariens shall not be liable for incidental, special, or consequential damages (including lost profits). Some states do not allow the exclusion of incidental or consequential damages, so the above limitation or exclusion may not apply to you.

DISCLAIMER OF FURTHER WARRANTY

Ariens Company makes no warranty, express or implied, other than what is expressly made in this warranty. If the law of your state provides that an implied warranty of merchantability, or an implied warranty of fitness for particular purpose, or any other implied warranty, applies to Ariens Company, then any such implied warranty is limited to the duration of this warranty. Some states do not allow limitations on how long an implied warranty lasts, so the above limitation may not apply to you.

This warranty gives you specific legal rights, and you may also have other rights which vary from state to state.



Ariens Company
655 West Ryan Street
Brillion, WI 54110-1072
920-756-2141
Fax 920-756-2407
www.ariens.com

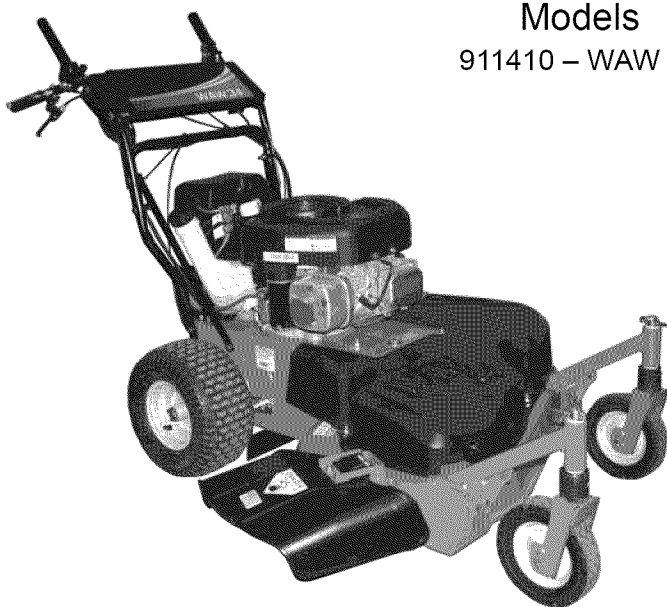
⚠ WARNING ⚠

The engine exhaust from this product contains chemicals known to the State of California to cause cancer, birth defects or other reproductive harm.



Wide Area Walk Mower

Manual del propietario/operador



Models

911410 – WAW 34



E ESPAÑOL

01325602 2/10
Printed in USA

ÍNDICE

Seguridad	4	Almacenamiento	27
Montaje	10	Localización de averías	28
Controles y características	12	Piezas de repuesto	29
Funcionamiento	13	Accesorios	29
Mantenimiento	17	Especificaciones	30
Reparaciones y ajustes	21	Garantía	33

INTRODUCCIÓN

NON-ENGLISH MANUALS



Manuals in languages other than English may be obtained from your Dealer. Visit your dealer or www.ariens.com for a list of languages available for your equipment.

Manuals printed in languages other than English are also available as a free download on our website:

<http://www.ariens.com>

MANUALES EN IDIOMAS DIFERENTES DEL INGLÉS



Puede obtener manuales en idiomas diferentes del inglés en su distribuidor. Visite a su distribuidor o vaya a www.ariens.com para obtener una lista de idiomas disponibles para su equipo.

También puede imprimir manuales en idiomas diferentes del inglés descargándolos gratuitamente de nuestra página Web:

<http://www.ariens.com>

MANUELS NON ANGLAIS



Des manuels dans différentes langues sont disponibles chez votre revendeur. Rendez-vous chez votre revendeur ou allez sur le site www.ariens.com pour consulter la liste des langues disponibles pour votre équipement.

Les manuels imprimés dans des langues différentes de l'anglais sont également disponibles en téléchargement gratuit sur notre site Web :

<http://www.ariens.com>

EL MANUAL

Antes de utilizar la unidad, lea con atención y en su totalidad los manuales. El contenido de los manuales le ayudará a entender las instrucciones y los controles durante el funcionamiento normal y el mantenimiento. Todas las referencias a la izquierda, derecha, delante o detrás se dan desde la posición del operador, orientado en la dirección de marcha adelante.

MANTENIMIENTO Y PIEZAS DE REPUESTO

Al pedir piezas de repuesto o al realizar preguntas sobre reparaciones, tenga a mano los números de modelo y de serie de la unidad y del motor.

Los números están situados en el formulario de registro del producto del paquete de documentación de la unidad. También se hallan impresos en una etiqueta de número de serie, localizada en la estructura de la unidad (Figura 1).

Etiqueta del número de serie de la unidad

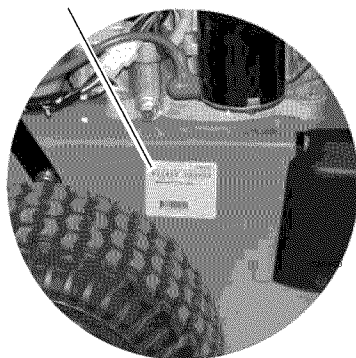


Figura 1

- Anote aquí los números de modelo y de serie de la unidad:

- Anote aquí los números de modelo y de serie del motor:

REGISTRO DEL PRODUCTO

El concesionario Ariens deberá registrar el producto en el momento de la compra. El registro del producto ayudará a la compañía a procesar las reclamaciones de garantía, así como a ponerse en contacto con usted con la información de servicio más reciente. Todas las reclamaciones que cumplan los requisitos durante el periodo de garantía limitada serán aceptadas, independientemente de si se devuelve o no la tarjeta de registro de producto. Guarde una prueba de su compra si no registra su unidad.

Nota para el cliente: Si el Concesionario no registra el producto, rellene, firme y devuelva la tarjeta de registro del producto a Ariens o vaya a www.ariens.com en Internet.

PIEZAS DE REPUESTO NO AUTORIZADAS

Utilice únicamente piezas de repuesto de Ariens. La sustitución de cualquier pieza de este vehículo por otra que no sea una pieza de repuesto autorizada por Ariens puede afectar negativamente al rendimiento, la durabilidad o la seguridad de la unidad, y puede llegar a anular la garantía. Ariens declina toda responsabilidad por daños o reclamaciones, ya sea a la garantía, daños materiales, lesiones o incluso la muerte, provocados por el uso de piezas de repuesto no autorizadas. Para localizar su distribuidor Ariens más cercano, acuda a www.ariens.com en Internet.

ENTREGA DEL CONCESIONARIO

El concesionario debe:

1. Verificar que el montaje y todos los ajustes se hayan realizado adecuadamente.
2. Rellenar la tarjeta de registro del comprador original y enviarla de vuelta a Ariens.
3. Explicar la política de garantía limitada de Ariens.
4. Explicar la lubricación y el mantenimiento recomendado. Asesorar al cliente sobre los ajustes. Recordar al cliente que cambie el aceite del cárter del motor 4 ciclos tras las primeras cinco (5) horas de funcionamiento.
5. Explicar al cliente los controles y el funcionamiento de la unidad. Asesorar al cliente sobre los ajustes. Comentarle e insistirle sobre las reglas de seguridad. Proporcionarle los Manuales del propietario/operador, piezas de repuesto y del motor. Aconsejarle que los lea atentamente y los entienda.

CLÁUSULA DE EXENCIÓN DE RESPONSABILIDAD

Ariens se reserva el derecho de abandonar la fabricación, realizar cambios y mejoras a sus productos en cualquier momento, sin previo aviso u obligación. Las descripciones y especificaciones contenidas en este manual eran las vigentes en el momento de su publicación. Algunos equipamientos descritos en este manual pueden ser opcionales. Algunas ilustraciones pueden no ser de aplicación a su unidad.

SEGURIDAD



¡ADVERTENCIA! Esta máquina de corte puede amputar manos y pies y lanzar objetos. Si no observa las instrucciones de seguridad de los manuales y las calcomanías podrían producirse lesiones graves o incluso la muerte.

Las pendientes son uno de los factores principales de accidentes por resbalamiento y caída. Preste especial atención cuando haga funcionar la unidad en pendientes.

Se pueden producir accidentes trágicos si el operador no observa la presencia de menores.

No asuma nunca que los menores permanecerán en el último sitio en el que los vio.

La gasolina es altamente inflamable y sus vapores son explosivos; manéjela con cuidado.

Detenga la unidad y el motor, saque la llave (si corresponde) y deje que todas las partes móviles se detengan antes de abandonar la posición del operador.



¡ADVERTENCIA! ¡SITUACION POTENCIALMENTE PELIGROSA!
Si no se evita, PUEDE RESULTAR en lesiones graves o la muerte.



PRECAUCIÓN: ¡SITUACIÓN POTENCIALMENTE PELIGROSA!
Si no se evita, PUEDE RESULTAR en lesiones leves o moderadas.
También puede usarse para alertar contra prácticas no seguras.

NOTACIONES

NOTA: Información de referencia general para el funcionamiento y prácticas de mantenimiento correctos.

IMPORTANTE: Procedimientos o información específicos requeridos para evitar daños a la unidad o al accesorio.

PRÁCTICAS Y LEYES

Lleve a cabo con frecuencia y de manera habitual precauciones de seguridad, por su propio bien y por el de los demás. Comprenda y obedezca todos los mensajes de seguridad. Esté alerta ante situaciones inseguras y ante la posibilidad de lesiones leves, moderadas o graves, o incluso la muerte. Conozca las normas y leyes aplicables en su región.

FORMACIÓN REQUERIDA AL OPERADOR

El comprador original de esta unidad ha sido instruido por el vendedor acerca de su funcionamiento adecuado y seguro. Si la unidad va a ser utilizada por otra persona que no sea el comprador original, proporcione SIEMPRE este manual y la formación necesaria referente a la seguridad antes de ponerla en funcionamiento.

SÍMBOLOS DE SEGURIDAD



Busque estos símbolos para informarse sobre las precauciones de seguridad importantes.

Su significado es el siguiente:



¡Atención!

¡Afecta a la seguridad personal!

¡Esté alerta!

¡Obedezca el mensaje!

Los símbolos de alerta de seguridad anteriores y las siguientes palabras se usan en calcomanías y en este manual.

Lea y entienda todos los mensajes de seguridad.



PELIGRO ¡SITUACION DE PELIGRO INMINENTE!
Si no se evita, RESULTARÁ en lesiones graves o la muerte.

ETIQUETAS DE SEGURIDAD Y EMPLAZAMIENTO DE LAS MISMAS

Sustituya SIEMPRE las etiquetas adhesivas de seguridad dañadas o que se hayan perdido. Consulte en Figura 2 los emplazamientos de las etiquetas adhesivas de seguridad.

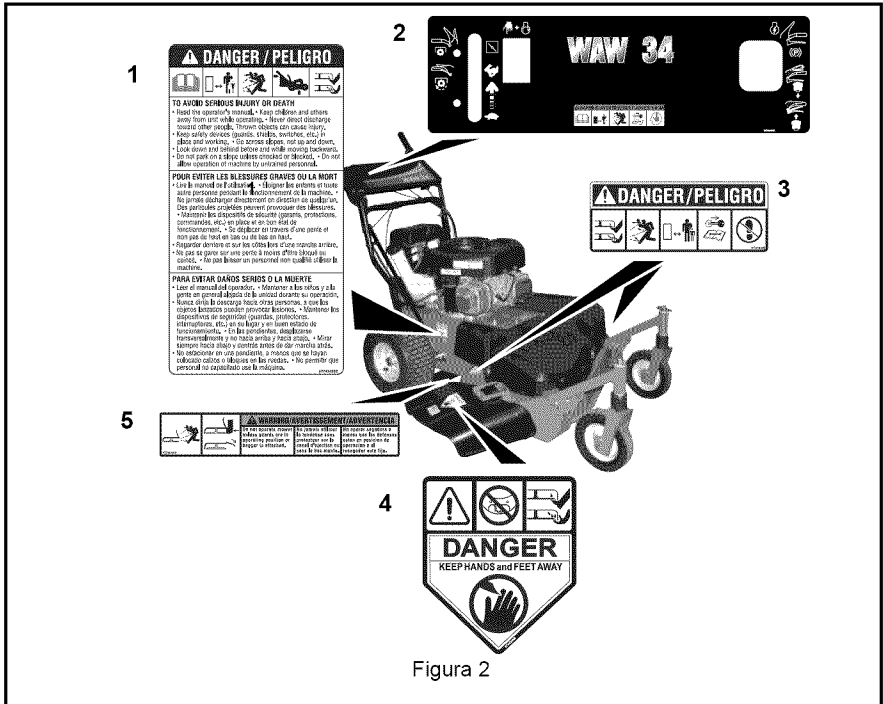


Figura 2

1. ¡PELIGRO! PARA EVITAR UNA LESIÓN GRAVE O FATAL

Lea el Manual del operador.



OL1801



OL4370

Mantener a niños y terceras personas alejadas de la unidad durante su funcionamiento.



OL0910

No dirija nunca la descarga hacia otras personas, ya que los objetos lanzados podrían causar daños personales.



OL1812

No poner en funcionamiento el cortacésped a menos que los protectores estén en posición de funcionamiento o que toda la embolsadora esté acoplada.



Mantenga los dispositivos de seguridad (guardas, protectores, interruptores, etc.) en su lugar y en buen estado de funcionamiento.

- En las pendientes, desplazarse transversalmente y no hacia arriba y hacia abajo.

- Mire hacia abajo y detrás antes y durante la marcha atrás.
- No estacione en una pendiente a menos que coloque bloques o calzos.
- No permita que la máquina sea utilizada por personal no capacitado para hacerlo.



OL1812

Apagar el motor, quitar la llave y leer el manual antes de ajustar o reparar la unidad.



OL1813

¡PIES FUERA! Mantenga siempre los pies y las manos alejados de las piezas giratorias.

2. ¡ADVERTENCIA!



OL1801

Lea el Manual del operador.



OL4370

Mantener a niños y terceras personas alejados de la unidad durante su funcionamiento.



OL0910

No dirija nunca la descarga hacia otras personas, ya que los objetos lanzados podrían causar daños personales.



OL1812

Apagar el motor, quitar la llave y leer el manual antes de ajustar o reparar la unidad.



Use una protección adecuada para los oídos.

3. ¡PELIGRO! PIEZAS GIRATORIAS



OL1809

Mantener siempre los pies y las manos alejados de las piezas giratorias.



OL1810

Manténgase siempre alejado del área de descarga. No dirija la descarga hacia otras personas.



OL18111109

Mantener a terceros alejados de la unidad durante el funcionamiento de la misma.

4. ¡PELIGRO!

MANTENGA LAS MANOS Y LOS PIES ALEJADOS DE LAS CUCHILLAS.

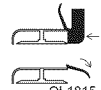
No hacer funcionar el cortacésped a menos que los protectores estén en posición de funcionamiento o la embolsadora esté acoplada.

5. ¡ADVERTENCIA!



OL1814

Mantenerse siempre alejado del área de descarga.



OL1815

No operar el cortacésped si la embolsadora no está conectada o si las guardas no están en posición de operación.

NORMAS DE SEGURIDAD

Si la unidad va a ser utilizada por otra persona que no sea el comprador original o si va a prestarse, alquilarse o venderse, proporcionar SIEMPRE este manual y el entrenamiento de seguridad necesario antes de ponerla en funcionamiento.

Averiguar las reglas y leyes que apliquen en su área, inclusive las que restrinjan la edad del operador.

Lea, comprenda y obedezca todas las prácticas de seguridad que aparecen en el Manual del propietario/operador antes de proceder al montaje o funcionamiento. No tener en cuenta estas instrucciones podría implicar lesiones personales y/o daños a la unidad.

Si el operador o el mecánico no puede leer el manual, es responsabilidad del usuario explicárselo. El usuario es el único que puede evitar los accidentes o lesiones a sí mismo y a los demás o los daños a la propiedad, y es responsable de los mismos.

Retire SIEMPRE la llave (si la unidad dispone de ella) y desconecte el cable de la bujía de encendido antes de realizar labores de montaje. Un arranque no intencionado del motor podría provocar lesiones graves o incluso la muerte.

Realice una inspección general del área de trabajo y de la unidad para entender:

- el área de trabajo
- la unidad
- todas las calcomanías de seguridad.

Limpie el área de trabajo de piedras, ramas, cables y otros objetos extraños que puedan ser recogidos y arrojados. Si el césped está alto, puede ocultar objetos.

Conozca el área de trabajo. Tenga cuidado con los agujeros, piedras, terreno accidentado y otros peligros.

Evitar los terrenos desnivelados, zanjas o terraplenes que puedan causar que el operador pierda el control de la unidad.

Cuando se opere en calles o curvas estar SIEMPRE atento al tráfico.

Mantener el área de trabajo libre de personas, niños y animales.

Los niños deben mantenerse fuera del área de trabajo y bajo la supervisión atenta de un adulto responsable.

Poner SIEMPRE en funcionamiento la unidad cuando haya buena visibilidad e iluminación.

NO corte césped húmedo.

Asegúrese SIEMPRE de su propia estabilidad sobre el suelo. Agarre firmemente el manillar. Camine, no corra NUNCA.

La función de control del motor / la cuchilla del cortacésped detiene el motor y la cuchilla en 5 segundos cuando el operador suelta la palanca de la TDF. Compruebe esta función a menudo. Si esta función se estropea, desconecte el cable de la bujía y ajústelo o repárelo antes de utilizar la unidad.

Sólo los adultos formados pueden hacer funcionar o mantener la unidad. La formación incluye el funcionamiento. El propietario es responsable de formar a los usuarios.

NUNCA haga funcionar la unidad durante o después del consumo de medicación, alcohol o drogas. La unidad requiere su atención total y en perfecto estado de salud.

NUNCA permita que los niños pongan en funcionamiento ni realicen el mantenimiento del cortacésped.

Mantenga las manos y los pies SIEMPRE alejados de las piezas giratorias. Las piezas giratorias pueden amputar miembros.

Mantener SIEMPRE las manos fuera del alcance de los puntos de mordedura.

El humo del tubo de escape puede causar lesiones graves o incluso la muerte. NO haga funcionar el motor en un área cerrada.

Protéjase SIEMPRE los ojos, la cara y el cuerpo con el equipo de seguridad adecuado y ropa protectora. Lleve calzado, guantes, un gorro duro y, en los ojos, máscara o gafas de seguridad con protectores laterales mientras utiliza el cortacésped.

Use una protección adecuada para los oídos. NUNCA poner en funcionamiento el cortacésped descalzo, con sandalias o zapatos de tela.

No llevar NUNCA ropa suelta, joyas o cabello largo suelto ya que pueden quedar atrapados en las piezas giratorias.

Mantenerse SIEMPRE alejado de la descarga durante el funcionamiento de la unidad.

No dirija NUNCA la descarga hacia terceros.

El operador es el responsable de la seguridad de terceras personas.

NO toque las piezas calientes.

Deje que se enfríen.

Mantenga los dispositivos o las guardas de seguridad en su sitio y funcionando correctamente. NO modifique ni retire NUNCA los dispositivos de seguridad.

Lea, comprenda y obedezca todas las instrucciones en el manual y en la máquina antes de arrancar. Debe comprender lo siguiente:

- Cómo utilizar todos los controles
- Las funciones de todos los controles
- Cómo PARAR en caso de emergencia

NO intentar arrancar el motor hasta que no se conozcan las funciones de los controles y cómo funcionan.

NO inclinar el cortacésped al arrancar.

Al arrancar el motor, los pies deben mantenerse alejados.

NO arrancar ni utilizar el cortacésped sin tener instalada la cubierta de descarga lateral o el deflector de descarga lateral.

Nunca dejar desatendida la unidad cuando esté en marcha.

Tome todas las precauciones posibles al dejar la unidad desatendida.

Apague SIEMPRE el motor, quite la llave (modelos de arranque eléctrico) y desconecte el cable de la bujía para evitar el arranque accidental o el uso no autorizado.

Pare el motor si alguien entra en el área de trabajo.

NUNCA intente realizar ajustes en la unidad con el motor en funcionamiento (salvo que se recomiende lo contrario). Apague el motor, quite la llave (modelos con arranque eléctrico) y espere a que todas las piezas móviles se detengan antes de realizar el mantenimiento.

NO realice ajustes de la rueda de altura de corte mientras el motor esté en marcha.

Si se golpea un objeto o si el equipo vibra de forma irregular, apague el motor inmediatamente, espere a que las piezas móviles se detengan y desconecte el cable de la bujía. Repare todos los posibles daños antes de volver a arrancar la unidad.

Parar el motor antes de extraer y vaciar la bolsa de recolección de césped.

Cuando se realice empajado o se embolse, instale SIEMPRE la cubierta de descarga.

Cuando se realice una descarga lateral, instale SIEMPRE el deflector de descarga lateral.

Pare SIEMPRE el motor, permita que la cuchilla se detenga y desconecte el cable de la bujía antes de eliminar una obstrucción o limpiar la unidad.

Compruebe si la bolsa se ha desgastado, dañado y/o deteriorado. Sustitúyala sólo con piezas de recambio de equipos originales Ariens para su seguridad.

Para reducir el peligro de incendio o sobrecalentamiento, mantenga el equipo limpio de césped, hojas, residuos o exceso de lubricante.

Tenga cuidado especial al aproximarse a esquinas sin visibilidad, arbustos, árboles y otros objetos que puedan impedir la visión.

NO corte el césped a demasiada velocidad. NO cambie la configuración que rige el motor ni lo utilice a demasiada velocidad. Aminore la velocidad antes de girar.

NO haga funcionar el cortacésped sobre gravilla o materiales sueltos, tales como arena. Pare el cortacésped al cruzar caminos, paseos o carreteras para evitar daños o lesiones por objetos tirados.

NO tire del cortacésped hacia atrás a menos que sea absolutamente necesario. Antes de efectuar un retroceso y durante el mismo, mire hacia abajo y hacia atrás para comprobar, especialmente, que no haya niños pequeños.

En modelos autopropulsados, al soltar el control de la transmisión de las ruedas se debe detener el movimiento hacia delante del cortacésped. Si esta función se estropea, desconecte el cable de la bujía y repárelo antes de utilizar la unidad.

En los modelos autopropulsados, se debe desactivar la transmisión de las ruedas al arrancar el motor.

NO ponga en funcionamiento el cortacésped en cuestas empinadas.

No deje NUNCA el cortacésped sin vigilancia sobre una pendiente. Calce las ruedas si aparca en una pendiente.

Corte el césped transversalmente las pendientes, nunca hacia arriba ni hacia abajo. Tenga especial cuidado al cambiar de dirección en las pendientes.

Este producto está equipado con un motor de combustión interna. NO lo use en terreno baldío, forestal o de monte bajo, a menos que el sistema de escape venga equipado con un amortiguador de chispas que cumpla las leyes locales, estatales o federales.

Si se usa el amortiguador de chispas, el operador deberá mantenerlo en un estado de funcionamiento efectivo. Consulte al concesionario Ariens o al centro de reparaciones del fabricante del motor.

Etiqueta de Certificación del Sistema de control de emisiones

NOTA: La manipulación de los controles de emisiones y componentes por personal no autorizado puede comportar graves multas o penalizaciones. Los controles de emisiones y componentes pueden ser ajustados únicamente por centros de servicio autorizados EPA y/o CARB. Póngase en contacto con su concesionario de equipos Ariens para cualquier asunto relacionado con los controles de emisiones y componentes.

El combustible es altamente inflamable y los vapores que emite pueden explotar. Utilice SÓLO recipientes aprobados para el combustible.

- ¡NO fume!
- ¡NO provoque chispas!
- ¡NO acerque llamas!
- Antes de llenar el tanque de combustible, deje que se enfríe el motor.

No llene nunca los recipientes para combustible dentro de un vehículo o en un camión o remolque con un revestimiento de plástico. Coloque siempre los recipientes en el suelo lejos de su vehículo antes de llenarlos.

Cuando sea posible y práctico, saque los equipos impulsados por gasolina del camión o remolque y repóstelos en el suelo. Si esto no fuera posible, reposte dicho equipamiento en un remolque con un contenedor portátil, antes que directamente desde un surtidor de gasolina.

En todo momento, la boquilla del surtidor debe mantenerse en contacto con el borde del depósito de gasolina o de la abertura del recipiente hasta que el repostado se complete. No use un dispositivo de bloqueo-apertura de la boquilla.

Compruebe el suministro de combustible antes de arrancar el motor.

NO llene el depósito de gasolina en un recinto cerrado, con el motor en marcha o con el motor caliente.

Deje que el motor se enfríe durante unos minutos antes de extraer el tapón de combustible.

NO lo llene en exceso. Deje unos 6 mm (1/4 in.) de espacio en el depósito para la expansión del combustible.

Vuelva a colocar la tapa del depósito de gasolina de forma segura y limpie cualquier derrame de combustible antes de arrancar el motor.

Si se derrama combustible en la ropa, ésta debe cambiarse inmediatamente.

El combustible NUNCA debe almacenarse en el interior si existe una llama abierta, como por ejemplo en el caso de un calentador de agua.

Drene SIEMPRE el combustible al aire libre, lejos de fuentes de ignición.

Pare SIEMPRE el motor y quite la llave cuando transporte la unidad en un camión o un remolque.

Evite descargas eléctricas. Mientras el motor esté en marcha, NO desconecte el cable de la bujía.

NO coloque la batería en el fuego ni la desarme.

¡Gases explosivos!

NO acerque llamas, NO provoque chispas, NO fume, cerca de la batería.

El líquido venenoso de la batería contiene ácido sulfúrico. Su contacto con la piel, los ojos o la ropa puede ocasionar quemaduras químicas graves.

Llevar SIEMPRE gafas de seguridad y ropa protectora cerca de la batería.

Mantenga SIEMPRE las baterías fuera del alcance de los niños.

Los bornes de la batería, terminales y accesorios relacionados contienen plomo y compuestos de plomo, sustancias que en el estado de California se sabe que causan cáncer y daños al sistema reproductor. Lávese las manos después de manejarlos.

Cambie las baterías en una zona abierta, bien ventilada, lejos de chispas y llamas. Desenchufe el cargador antes de conectar o desconecte la batería. Lleve ropa protectora y utilice herramientas aisladas.

El encendido accidental del motor puede provocar la muerte o lesiones graves. Salvo que se recomiende lo contrario, apague SIEMPRE el motor, quite la llave (modelos con arranque eléctrico), espere a que las piezas móviles se detengan, deje que se enfríen y desconecte el cable de la bujía antes de inspeccionar, prestar servicio, ajustar o reparar la unidad.

Mantenga el cortacésped limpio de acumulaciones de césped, hojas u otros residuos.

Mantenga el equipo en buen estado.

Mantenga o reemplace las etiquetas de seguridad e instrucciones según sea necesario.

Al realizar el mantenimiento del motor, siga las instrucciones de seguridad del fabricante del motor.

Compruebe toda la tornillería a intervalos regulares, especialmente los pernos de sujeción de la cuchilla. Mantenga todos los tornillos bien apretados.

Un resorte extensible, cuando está extendido, almacena energía y puede resultar peligroso. Siempre utilice herramientas diseñadas específicamente para la instalación o retirada de un muelle extensible. Siempre comprima o extienda los resortes lentamente.

Antes de voltear la unidad, extraiga el combustible y la batería (si corresponde).

Tenga especial cuidado al cargar o descargar la unidad desde o hacia un remolque o camión.

Asegure todos los calzos de la rueda, soportes de elevación y puntos de amarre para que sujeten la unidad durante el mantenimiento.

Sustituya inmediatamente los silenciadores gastados. Si sigue utilizándolos, podría producirse un incendio o explosión.

Los bordes afilados pueden cortar o amputar dedos o una mano. Envuelva las cuchillas o lleve guantes resistentes para realizar el mantenimiento.

Sustituya las cuchillas siempre. NUNCA las afile ni las suelde.

Utilice solamente las piezas de repuesto diseñadas para la unidad. Consulte a su concesionario Ariens.

Deje que se enfríe el motor antes de almacenarlo en cualquier recinto cerrado.

Limpie SIEMPRE la unidad antes de almacenarla durante un largo periodo de tiempo. Consulte el manual del motor para las instrucciones correctas de almacenaje.

NO almacene la unidad dentro de un edificio con combustible en el depósito de combustible si hay fuentes de ignición presentes.

Use sólo accesorios aprobados por Ariens y que estén instalados correctamente.

Use solamente equipos auxiliares o accesorios que estén diseñados para la unidad y puedan ser usados con seguridad en el terreno en cuestión.

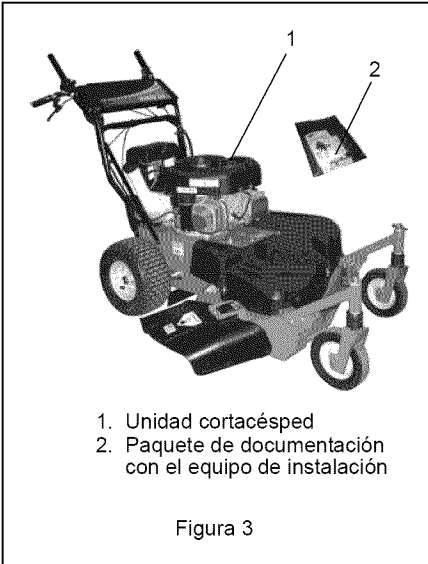
Compruebe los accesorios con frecuencia y reemplace los componentes desgastados o deteriorados con piezas recomendadas por el fabricante.

MONTAJE



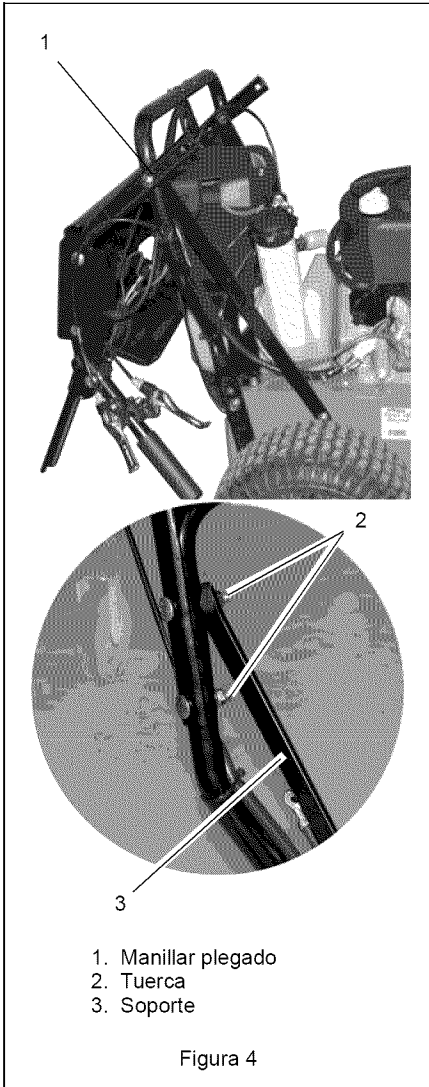
PRECAUCIÓN: EVITE LAS LESIONES. Antes de proceder, lea y comprenda toda la sección de *Seguridad*.

CONTENIDO DE LA CAJA



MONTAJE

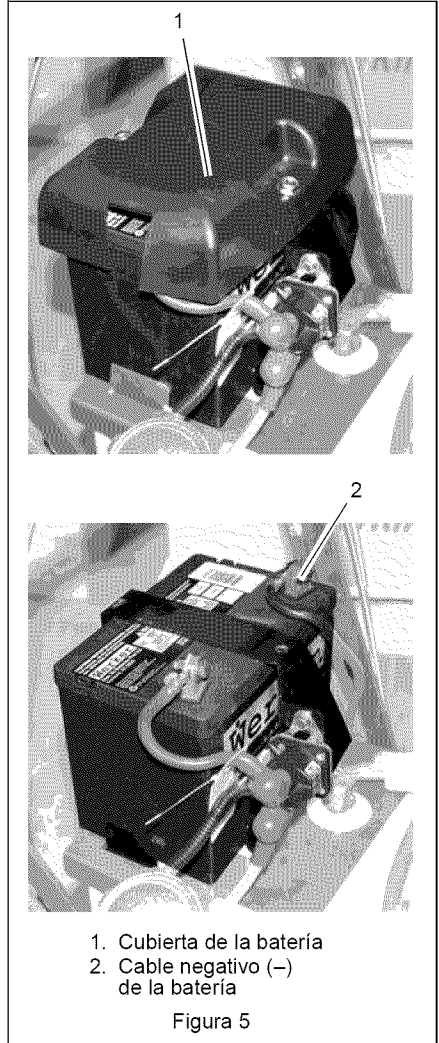
1. Retire el material de embalaje y las cuerdas de la unidad.
2. Retire un par de tuercas y pernos de los manillares.
3. Gire el manillar hasta la posición de funcionamiento y conecte los dos soportes a los manillares.
4. Monte las tuercas retiradas en el paso 1 y apriete bien las cuatro tuercas.



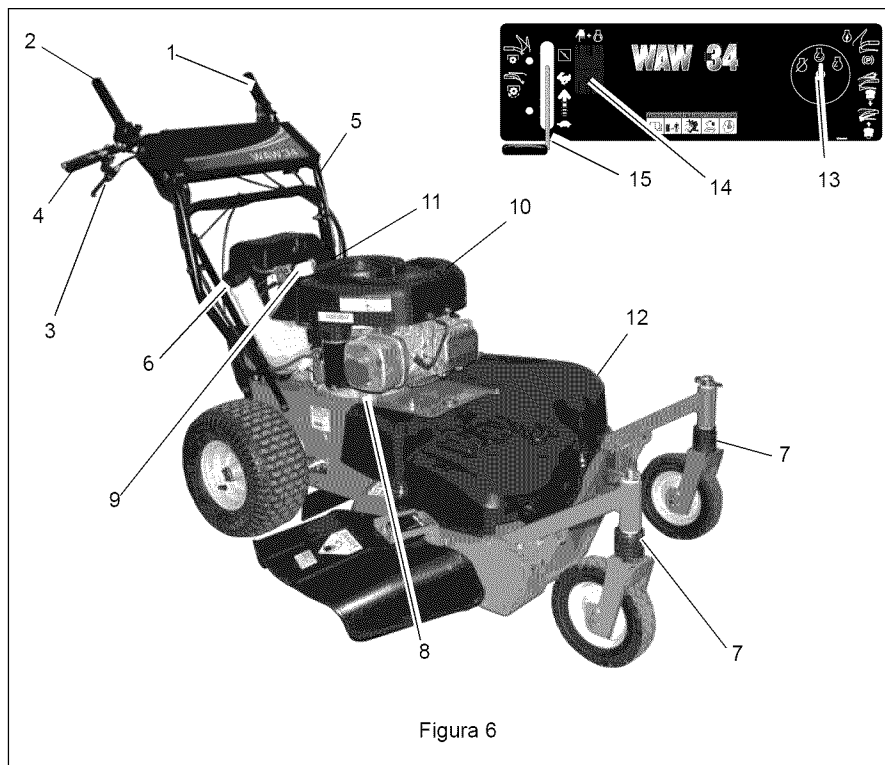
5. Revise el nivel de aceite del cárter del motor. Consulte el manual del motor.
6. Conecte el cable de toma a tierra (+) de la batería al terminal negativo de la batería.
7. Llene el depósito de combustible. Véase **LLENADO DEL DEPÓSITO DE COMBUSTIBLE** en la página 15.

NOTA: Después de las veinticinco primeras horas de funcionamiento, el desgaste de la correa puede requerir ajustar el cable del embrague de la TDF y los cables del control de la transmisión. Véase *Controles de transmisión de avance/marcha atrás* en la página 21 y *Correas de la transmisión de las ruedas* en la página 22.

IMPORTANTE: No haga funcionar la unidad sin conocer el funcionamiento de los mandos y cómo arrancar, parar y operar la unidad de manera segura.



CONTROLES Y CARACTERÍSTICAS



- | | |
|---|--|
| 1 . Palanca de embrague de la TDF | 9 . Varilla medidora para el llenado de aceite |
| 2 . Palanca de desconexión del freno de estacionamiento | 10 . Filtro de aire |
| 3 . Control de transmisión de avance | 11 . Filtro de combustible |
| 4 . Control de transmisión de marcha atrás | 12 . Cubierta de la correa |
| 5 . Manillares | 13 . Llave de encendido |
| 6 . Depósito de combustible y tapón | 14 . Interruptor de arranque de seguridad |
| 7 . Espaciadores de ajuste de la altura | 15 . Control del acelerador/estrangulador |
| 8 . Silenciador | |

FUNCIONAMIENTO

CONTROLES Y FUNCIONES

Consulte Figura 6 para las ubicaciones.



¡ADVERTENCIA!

Un funcionamiento incorrecto puede provocar lesiones. Aprenda lo que hacen los controles y cómo funcionan. Lea atentamente y comprenda el Manual del operador en su totalidad.



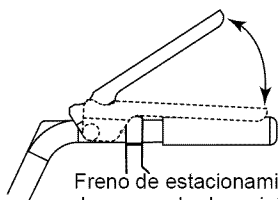
PRECAUCIÓN: EVITE LAS LESIONES. Antes de proceder, lea y comprenda toda la sección de *Seguridad*.

Palanca del freno de estacionamiento (palanca derecha)

Sujete la palanca del freno de estacionamiento contra el manillar para liberar el pasador de conexión de la rueda y operar la unidad. Suelte la palanca del freno de estacionamiento para enganchar el pasador de conexión de la rueda y evitar que la unidad ruede hacia adelante o marcha atrás.

IMPORTANTE: El pasador de conexión de la rueda evita que la unidad ruede hacia delante o hacia atrás. La unidad puede aún inclinarse de lado a lado.

Freno de estacionamiento desenganchado: la unidad no rodará hacia adelante ni marcha atrás.



Freno de estacionamiento desenganchado: sujete la palanca contra el manillar para operar la unidad.

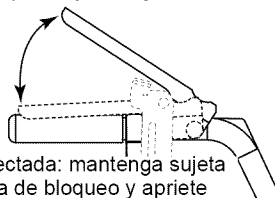
Palanca de embrague de la TDF (palanca izquierda)

Sujete la palanca de bloqueo y apriete la palanca del embrague de la TDF contra el manillar para accionar el embrague y comenzar el movimiento de las cuchillas.

Suelte la palanca del embrague para detener las cuchillas.

NOTA: La palanca de bloqueo evita que la palanca del embrague de la TDF se apriete accidentalmente. Se conecta cada vez que se suelta la palanca del embrague.

TDF desconectada: las cuchillas del cortacésped dejan de girar.



TDF conectada: mantenga sujeta la palanca de bloqueo y apriete la palanca del embrague contra el manillar para enganchar el embrague e iniciar las cuchillas del cortacésped.

AJUSTE DE LA ALTURA DE CORTE



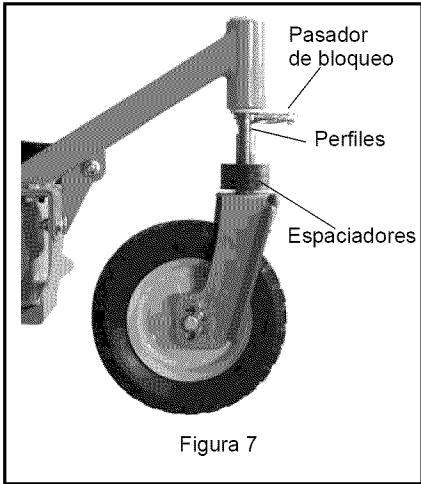
PELIGRO: Evite lesionarse con la cuchilla de giro. Apague SIEMPRE el motor antes de ajustar la altura de corte.

Tabla de ajustes de la altura de corte

Espaciadores bajo los brazos del conjunto rodante	Longitud de corte del césped
0	44,4 mm (1 3/4")
1	50,8 mm (2")
2	63,5 mm (2 1/2")
3	69,8 mm (2 3/4")
4	76,2 mm (3")
5	82,6 mm (3 1/4")
6	88,9 mm (3 1/2")

NOTA: Colocando espaciadores encima del brazo del conjunto rodante desciende la plataforma y disminuye la altura de corte. Colocando espaciadores debajo del brazo de la rueda del conjunto rodante se levanta la plataforma y aumenta la altura de corte.

Para modificar la altura de corte, retire el pasador de la parte superior de la horquilla del conjunto rodante. Levante el brazo del conjunto rodante lo suficiente para exponer los perfiles y el agujero inferior del pasador en el eje de la horquilla del conjunto rodante. Introduzca el pasador en el agujero inferior para sujetar el brazo mientras ajusta los espaciadores de la altura de corte (Figura 7).



Alinee el extremo abierto de los espaciadores con los perfiles del eje del conjunto rodante y retire los espaciadores de uno en uno hasta que queden los suficientes para la altura de corte deseada.

Retire el pasador mientras sujeta el brazo del conjunto rodante. Baje el brazo sobre los espaciadores restantes. Coloque los espaciadores que haya quitado encima del tubo de apoyo, como en la foto (Figura 8).

Vuelva a colocar el pasador en el agujero superior y gire el anillo de bloqueo para asegurar los espaciadores restantes y el pasador.

NOTA: Ajuste cada rueda a la misma altura para obtener un corte parejo.



Control transmisión de avance (palanca de control inferior derecha)



PRECAUCIÓN: La unidad avanzará al arrancar el motor si están conectados los controles de la transmisión de las ruedas. Suelte SIEMPRE los controles de transmisión de las ruedas antes de arrancar la unidad.

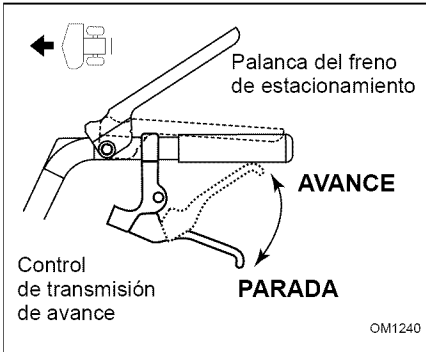
NOTA: El motor tiene que estar en funcionamiento para que la transmisión de la rueda propulse la unidad.

Para avanzar:

Sujete la palanca del freno de estacionamiento contra el manillar y apriete lentamente y mantenga apretado el control de transmisión de avance. Apriete la palanca de control de avance contra el manillar para alcanzar una mayor velocidad.

Para detener:

Suelte el control de transmisión de avance.



Control de transmisión de marcha atrás (Palanca de control derecha)



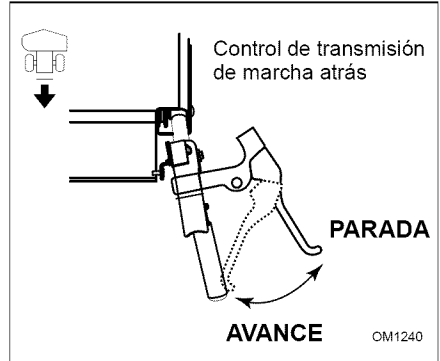
PRECAUCIÓN: La unidad avanzará al arrancar el motor si están conectados los controles de la transmisión de las ruedas. Suelte SIEMPRE los controles de transmisión de las ruedas antes de arrancar la unidad.

Para conducir marcha atrás:

Sujete la palanca del freno de estacionamiento (manillar derecho) contra el manillar y apriete lentamente y mantenga apretado el control de transmisión de marcha atrás. Sujete el control de transmisión de marcha atrás contra el manillar para una velocidad mayor.

Para detener:

Suelte el control de transmisión de marcha atrás.



LLENADO DEL DEPÓSITO DE COMBUSTIBLE

Para añadir combustible al depósito:

1. Coloque la unidad en un área abierta o bien ventilada.
2. Apague el motor y deje que se enfríe.
3. Limpie la tapa de combustible y el área de los alrededores.
4. Extraiga la tapa.

IMPORTANTE: Consulte el manual del motor para el tipo y el grado de combustible correctos.

5. Llene el depósito de combustible. (Véase *ESPECIFICACIONES* en la página 30 para la capacidad del depósito.)
6. Vuelva a colocar la tapa del combustible y apriétela.
7. SIEMPRE se debe limpiar cualquier derrame de combustible.

GASOLINA

IMPORTANTE: Utilice SIEMPRE gasolina que cumpla las siguientes especificaciones:

- Gasolina limpia y nueva.
- De un mínimo de 87 octanos/87 AKI (91 RON). Un uso a gran altitud puede requerir un octanaje diferente. Consulte el manual del motor.
- Es aceptable gasolina con hasta un 10% de etanol (gasohol) o hasta un 15% MTBE (éter metil tert-butílico).
- El uso de gasolina diferente a la especificada arriba puede invalidar la garantía del motor. Si no está marcado en las bombas el contenido de alcohol o éteres, compruebe los niveles de etanol y MTBE con el proveedor del combustible.
- No modifique el sistema de combustible para utilizar combustibles diferentes.
- No mezcle nunca aceite y gasolina.

NOTA: No toda la gasolina es igual. Si se experimentan problemas de arranque o de rendimiento del motor después de usar una nueva gasolina, cambie a un proveedor o marca diferentes.

IMPORTANTE: Los combustibles oxigenados en exceso o reformulados (combustibles mezclados con alcoholes o éteres) pueden dañar el sistema de combustible o provocar problemas de rendimiento. Si se produce algún problema no deseado, utilice gasolina con un porcentaje menor de alcohol o éter.

Estabilizador de combustible

La gasolina que permanezca en el sistema de combustible durante largas temporadas sin un estabilizador se deteriorará y generará depósitos de goma en el sistema. Estos depósitos pueden dañar el carburador y los manguitos, el filtro y el depósito de combustible. Evite la formación de depósitos en el sistema de combustible durante el almacenamiento añadiendo un estabilizador de calidad al combustible. Utilice la relación de mezcla recomendada que encontrará en el recipiente del estabilizador de combustible.

PARADA DE EMERGENCIA

NOTA: El motor arrancará cuando se suelten las palancas de embrague y de freno de estacionamiento. Apague SIEMPRE el motor con la llave de encendido y quite la llave antes de abandonar el asiento del operador.

Para parar el cortacésped en una emergencia:

1. Suelte la palanca de embrague de la TDF y la palanca del freno de estacionamiento.
2. Gire la llave de contacto hasta la posición apagado.
3. Deje que todas las piezas en movimiento se detengan antes de dejar el asiento del operador.

ARRANQUE Y PARADA



¡ADVERTENCIA!

Un funcionamiento incorrecto puede provocar lesiones. Aprenda lo que hacen los controles y cómo funcionan. Lea atentamente y comprenda el Manual del operador en su totalidad.

Consulte la sección Figura 6 para conocer todos los controles y funciones.

NOTA: Arranque el motor sobre una superficie nivelada y horizontal libre de residuos.

Arranque eléctrico

1. Compruebe cada punto de la sección Antes de Cada Uso en *PROGRAMA DE MANTENIMIENTO* en la página 17.
2. Coloque el control del acelerador en posición de estrangulamiento. Una vez que haya arrancado el motor, coloque el estrangulador en distensión de alta velocidad.
3. Mantenga pulsado el interruptor de seguridad del panel de instrumentos y gire la llave de encendido hasta la posición de arranque.
4. Tan pronto como arranque el motor, suelte la llave y el interruptor de seguridad.

Apagado

1. Suelte la palanca de embrague de la TDF, la palanca del freno y los controles de la transmisión de las ruedas y deje que se pare completamente la unidad.
2. Gire la llave de contacto hasta la posición apagado.

Consejos para el corte del césped

Corte el césped cuando esté seco.

Mantenga las cuchillas de corte afiladas.

No programe la altura de corte demasiado alta. Si el césped está alto, corte el césped dos veces.

No se desplace demasiado deprisa.

Corte el césped con el motor con aceleración plena. Descargue los recortes en zonas ya cortadas.

Varíe el patrón de corte en cada pasada.

NOTA: Para impedir que la suciedad y el césped se acumulen en el colector del cortacésped, evite la utilización en terrenos con parches de césped.

Consejos para cubrir con pajote

Para mejorar el rendimiento del empajado, no corte más de 2,54 cm (1 pulgada) de césped de una vez.

MANTENIMIENTO



PRECAUCIÓN: EVITE LAS LESIONES. Antes de proceder, lea y comprenda toda la sección de *Seguridad*.

Los distribuidores de Ariens suministrarán cualquier reparación, pieza de recambio o ajuste que su unidad necesite para seguir funcionando con la máxima eficacia. En el caso de necesitar una reparación en el motor, póngase en contacto con un distribuidor de Arienso con un centro de mantenimiento autorizado del fabricante del motor.

PROGRAMA DE MANTENIMIENTO

NOTA: Algunas condiciones de trabajo (cargas pesadas, temperaturas altas, polvo, o residuos en el aire) pueden requerir un mantenimiento más frecuente. Consulte el manual del motor para obtener más información acerca del mantenimiento y resolución de problemas.

PROGRAMA DE MANTENIMIENTO				
Mantenimiento realizado	Antes de cada uso	25 horas	50 horas	100 horas
Revisar el embrague de la TDF	•			
Revisión del control de transmisión de la rueda	•			
Limpieza de la unidad	•			
Revisar el aceite del motor	•			
Revisión de la cuchilla del cortacésped	•			
Revisar las correas de transmisión	•			
Revisar los afianzadores	•			
Revisión del depurador de aire		•		•
Cambiar el aceite del motor			•*	
Lubricación general		•		
Revisión de la bujía				•
Revisión de la refrigeración del motor	•			•
Revisión del silenciador				•

* Después de las primeras 5 horas de funcionamiento.

REVISIÓN DEL CONTROL DE LA PALANCA DEL EMBRAGUE DE LA TDF

El motor y la cuchilla deben detenerse 5 segundos después de soltar el control. Si la cuchilla sigue funcionando, ajuste o repare el control inmediatamente.

NOTA: Si la cuchilla hace un ruido de roce cuando se suelta la palanca de la TDF, significa que el freno de la cuchilla presenta un fallo. Póngase en contacto inmediatamente con un Distribuidor de Ariens para su reparación.

REVISIÓN DEL CONTROL DE TRANSMISIÓN DE LA RUEDA

La unidad debe detenerse de forma rápida y completa cuando se sueltan los controles de transmisión. Ajuste o repárela si es necesario. Véase *Controles de transmisión de avance/marcha atrás* en la página 21.

LIMPIEZA DE LA UNIDAD

Antes de cada uso, limpie la unidad, el silenciador y la superficie del motor de residuos, derrames de aceite y gasolina para asegurar una refrigeración apropiada e impedir incendios.

NOTA: No pulverice la unidad con agua, especialmente cuando esté caliente después de su funcionamiento. El agua puede penetrar en los cojinetes y dañarlos.

REVISIÓN DEL ACEITE DEL MOTOR

IMPORTANTE: Mantenga el nivel de aceite apropiado en todo momento o, de lo contrario, se producirán daños en el motor.

Revise el nivel de aceite en el motor antes de cada uso.

Asegúrese de que el motor esté nivelado al comprobar el aceite. Consulte el manual del motor para conocer las instrucciones.

REVISIÓN DE LA CUCHILLA DEL CORTACÉSPED

Consulte Figura 10.

Compruebe el montaje de la cuchilla: la cuchilla tiene que estar asegurada y con un par de torsión de 92 – 130 lbf-ft (125 – 176 N•m) (el perno debe comprimir totalmente la arandela de cierre).

Compruebe que el filo de la cuchilla no esté mellado o desafilado. Afílelo si es necesario.

Revise la cuchilla para detectar si está desgastada o tiene los bordes rotos, el metal afinado u otros daños. Sustitúyala si es necesario.

NOTA: Las cuchillas deben ser afiladas y equilibradas por un profesional. Póngase en contacto con su distribuidor Ariens.

Para extraer la cuchilla:

1. Pare la unidad, espere a que todas las piezas en movimiento se detengan, y desconecte el cable de la bujía.
2. Bloquee la cuchilla para impedir la rotación.
3. Extraiga la tornillería de montaje y las cuchillas de corte de la plataforma de corte. Consulte Figura 9.

Para instalar la cuchilla:

1. Instale las cuchillas de corte en la plataforma de corte haciendo uso de la tornillería de montaje.
2. Apriete el perno a 92 – 130 lbf-ft (125 – 176 N•m).
3. Conecte el cable de la bujía.

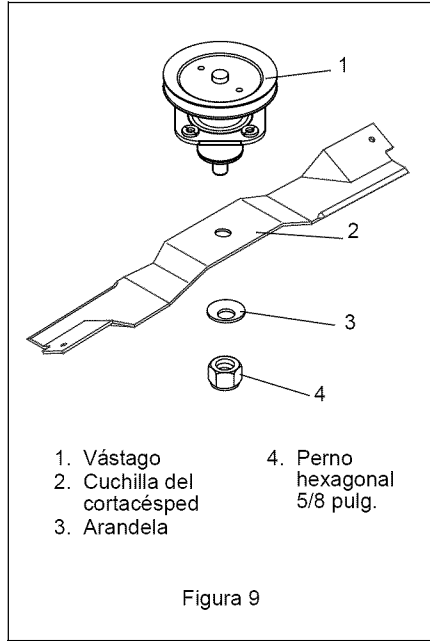


Figura 9

Afile las cuchillas del cortacésped



PRECAUCIÓN: NO afile las cuchillas cuando estén en la unidad. Si una de las cuchillas estuviera desequilibrada, se producirán vibraciones excesivas y la unidad resultará dañada. Compruebe que las cuchillas estén equilibradas antes de volverlas a instalar. NUNCA suelde ni enderece las cuchillas dobladas.

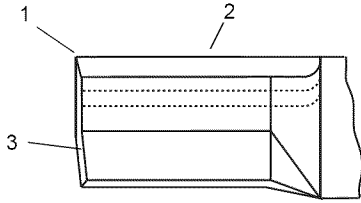
1. Retire la cuchilla del cortacésped de la unidad.

Deseche la cuchilla del cortacésped si:

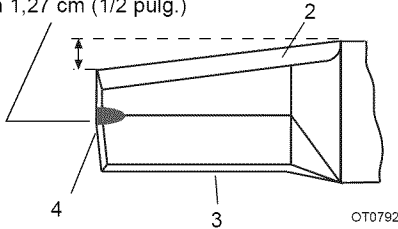
- Se quita más de 1,27 cm (1/2 in.) de metal.
- Se erosionan los extractores de aire.
- La cuchilla está doblada o rota.

- Afile la cuchilla del cortacésped quitando una cantidad de material igual de cada extremo de la misma. NO cambie el ángulo del filo ni redondee la esquina de la cuchilla del cortacésped.

NO afilar de acuerdo a este esquema



DESECHE si es superior a 1,27 cm (1/2 pulg.)



Afilar de acuerdo a este esquema

- Esquina cuadrada
- Filo cortante
- Extractor de aire
- Erosión del extractor de aire

Figura 10

- Revise el equilibrio de la cuchilla del cortacésped. Deslice la cuchilla en un perno sin rosca. Si la cuchilla está equilibrada, debería mantenerse en posición horizontal. Si uno de los extremos de la cuchilla descende, afile el extremo más pesado hasta que la cuchilla esté equilibrada (Figura 11).

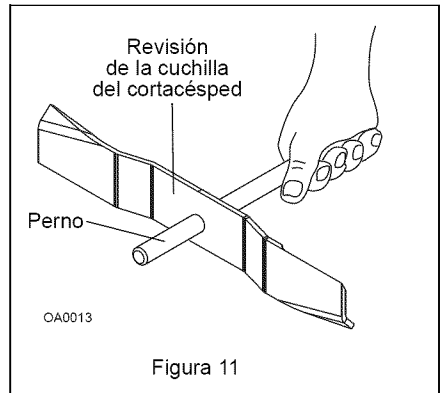


Figura 11

- Instalar la plataforma de corte en la unidad.
- Apriete los pernos a un par de 92 – 130 lbf-ft (125 – 176 N-m).

REVISIÓN DE LAS CORREAS DE TRANSMISIÓN

Revise las correas de transmisión y cámbielas si presentan desgaste o daños. Véase *Correas de la transmisión de las ruedas* en la página 22.

REVISIÓN DE LOS AFIANZADORES

Compruebe que todos los afianzadores están bien apretados. Preste especial atención a la tornillería de la cuchilla y todos los protectores y guardas y dispositivos de seguridad.

COMPROBACIÓN DEL DEPURADOR DE AIRE

Consulte el manual del motor para obtener información específica.

CAMBIO DEL ACEITE DEL MOTOR

IMPORTANTE: Cambie el aceite del cárter del motor después de las primeras cinco (5) horas de funcionamiento. En lo sucesivo, cambie el aceite cada 25 horas de funcionamiento.

Consulte el manual del motor para obtener instrucciones y para el tipo de aceite correcto.

IMPORTANTE: Debe mantenerse en todo momento un nivel correcto de aceite; de lo contrario se dañaría el motor. NO lo llene en exceso. Asegúrese de que el motor esté nivelado al añadir aceite.

LUBRICACIÓN GENERAL

La unidad incorpora ejes y transmisiones sellados que no precisan mantenimiento y no necesita lubricación, excepto un ligero toque de aceite o grasa en los puntos de giro.

REVISIÓN DE LA BUJÍA

La bujía debe cambiarse cada 100 horas de funcionamiento o cada año.

NOTA: Si se afloja el terminal del cable de la bujía se pueden producir chispas. Sustituya el terminal si está dañado.

REVISIÓN DE LA REFRIGERACIÓN DEL MOTOR



¡ADVERTENCIA!

Las SUPERFICIES CALIENTES pueden provocar la muerte o lesiones graves. NO TOQUE las piezas que estén calientes tras el funcionamiento. Deje SIEMPRE que las piezas se enfrien.

Para impedir el recalentamiento, el aire debe circular libremente alrededor de las aletas de enfriamiento, cabezal y bloque del cilindro.

Cada 100 horas de funcionamiento o una vez al año (más a menudo si las condiciones así lo requieren) extraiga la carcasa del ventilador y limpie las aletas de enfriamiento. Consulte el manual del motor para conocer las instrucciones.

REVISIÓN DEL SILENCIADOR

Compruebe que el silenciador no esté sucio, agrietado, desgastado o dañado.



PRECAUCIÓN: Sustituya inmediatamente los silenciadores gastados. Si sigue utilizándolos, podría producirse un incendio o explosión.

REPARACIONES Y AJUSTES



PRECAUCIÓN: EVITE LAS LESIONES. Antes de proceder, lea y comprenda toda la sección de *Seguridad*.

EMBRAGUE DE LA TDF



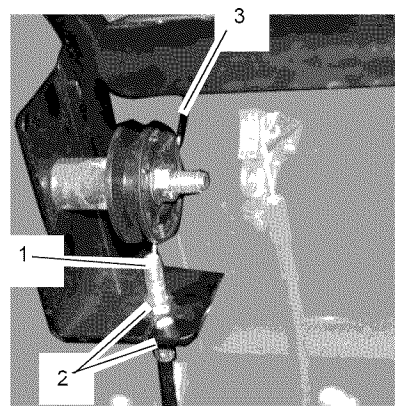
¡ADVERTENCIA! Si no puede ajustar los controles para el funcionamiento correcto de la unidad, llévala inmediatamente a su distribuidor autorizado para realizar una reparación.

1. Revise el ajuste del embrague de la TDF. Con el embrague desenganchado, el freno de las cuchillas debe tocar el tambor del freno. Con el embrague puesto, el freno de las cuchillas no debe tocar el tambor del freno y la correa de la plataforma debe estar tensa.
2. Afloje la contratuerca del graduador del cable bajo el panel de instrumentos.
3. Gire el cuerpo del ajustador para apretar o aflojar el cable del embrague.

NOTA: Debe haber una cierta holgura en el cable del embrague cuando éste está suelto.

4. Apriete la contratuerca para que sujete el ajuste.

IMPORTANTE: Si no puede ajustar el embrague de la TDF o no funciona correctamente, lleve la unidad a su distribuidor Ariens para su reparación.



1. Graduator del cable
2. Contratuerca
3. Consulte la holgura

Figura 12

Controles de transmisión de avance/marcha atrás



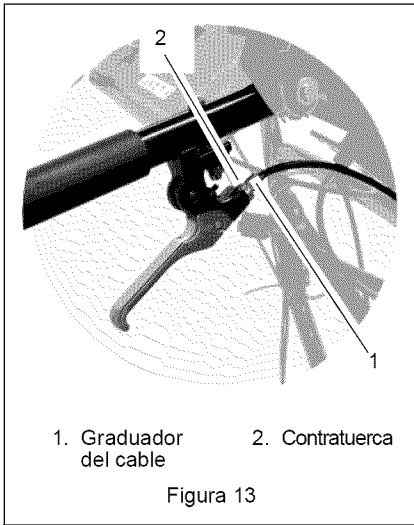
¡ADVERTENCIA! Si no puede ajustar los controles para el funcionamiento correcto de la unidad, llévala inmediatamente a su distribuidor autorizado para realizar una reparación.

Cuando se gastan las correas nuevas o la transmisión parece perder potencia, es posible que tenga que ajustar el cable de control de la transmisión.

Ajuste ambos controles de la transmisión a la vez.

1. Afloje la contratuerca de la palanca de transmisión.
2. Gire el graduador del cable para apretar o para aflojar el cable.
3. Apriete la contratuerca para que sujete el ajuste.
4. Compruebe la conducción. La unidad debe avanzar cuando se aprieta el control de transmisión y pararse cuando se suelta.

NOTA: El control de transmisión de marcha atrás se ha retirado de la unidad para mayor claridad de la ilustración.



REEMPLAZO DE LA CORREA



¡ADVERTENCIA! EVITE ACCIDENTES. Trabe SIEMPRE las ruedas, activar el freno de estacionamiento y cerciorarse de que los soportes sean fuertes, estén afianzados y puedan soportar el peso de la unidad durante el mantenimiento.

Correas de la transmisión de las ruedas

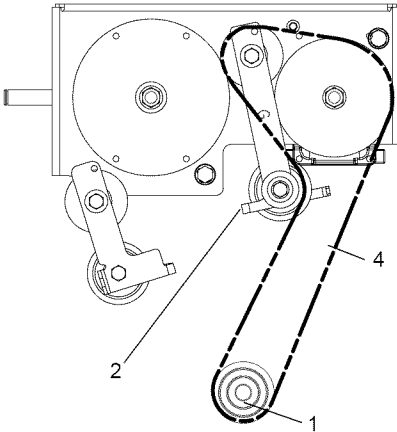
1. Detenga el motor, quite la llave y espere a que todas las piezas en movimiento se paren y se enfríen las piezas calientes.
2. Levante y trabe la parte trasera de la unidad.
3. Quite la tapa trasera y desconecte los resortes de retorno de punto muerto de los anclajes del resorte.



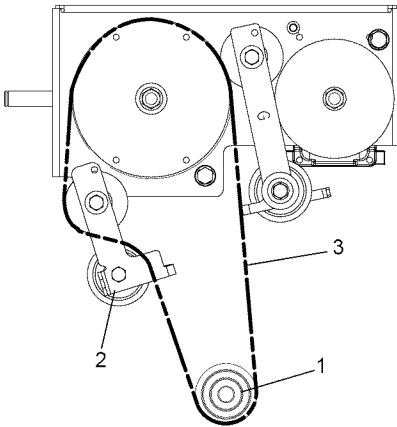
4. Quite el brazo de la polea tensora de la placa de transmisión. Véase Figura 15.
5. Quite la correa de transmisión de marcha adelante de la polea del motor y retírela de la unidad.
6. Quite la correa de transmisión de marcha atrás de la polea del motor y retírela de la unidad.
7. Coloque la nueva correa de marcha atrás por el brazo de la polea de la transmisión y monte una nueva correa en la polea del motor. Véase Figura 15.
8. Coloque la nueva correa de marcha adelante por el brazo de la polea de la transmisión y monte la correa en la polea del motor. Véase Figura 15.
9. Monte los brazos de polea en la placa de transmisión y coloque las correas en las poleas de la transmisión. Véase Figura 15.
10. Coloque de nuevo la tapa trasera.
11. Ponga en marcha la unidad y compruebe el funcionamiento del sistema de transmisión. Ajuste los controles de transmisión de las ruedas, si fuera necesario.

NOTA: Compruebe el ajuste del control de transmisión de la rueda después de las 25 primeras horas de uso para compensar el desgaste de la correa.

Parte trasera de la unidad – Instalación de la correa de transmisión de marcha adelante



Parte trasera de la unidad – Instalación de la correa de transmisión de marcha atrás



- | | |
|------------------------------|---|
| 1. Polea del motor | 3. Correa de transmisión marcha atrás |
| 2. Brazo de la polea tensora | 4. Correa de transmisión de marcha adelante |

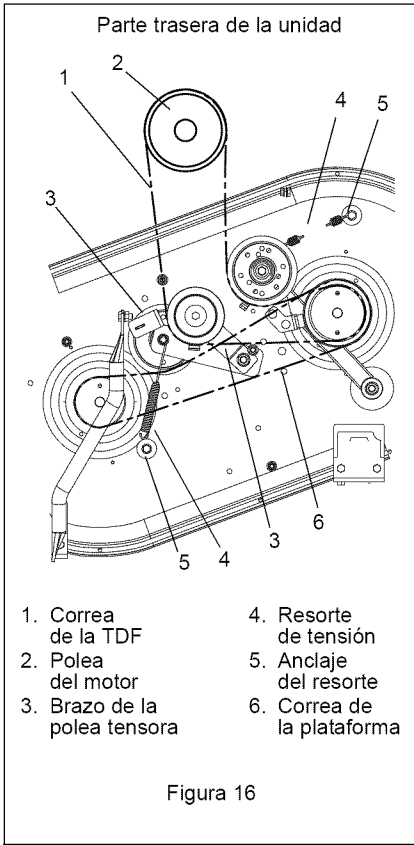
Figura 15

Correa de la TDF

1. Detenga el motor, quite la llave y espere a que todas las piezas en movimiento se paren y se enfríen las piezas calientes.
2. Quite las dos correas de transmisión de la polea del motor. Véase *Correas de la transmisión de las ruedas* en la página 22.
3. Quite la tapa de la correa de la plataforma.
4. Desconecte los dos resortes de la polea tensora de los anclajes del resorte.

NOTA: No quite el perno que sujeta la polea del motor al cigüeñal. Aflojelo sólo lo suficiente para que la correa de la TDF salga de la guía de la correa.

5. Afloje el perno que sujeta la polea del motor al cigüeñal y baje la polea hasta que pueda extraerse la correa de la TDF de la polea.
6. Coloque la nueva correa en la polea del motor y sobre las poleas de la plataforma.
7. Ponga la polea del motor por encima del cigüeñal y apriete el perno de montaje a 55 lbf-ft (74,5 N·m).
8. Conecte los dos resortes de la polea tensora a los anclajes del resorte.
9. Vuelva a colocar la cubierta de la correa.
10. Monte las dos correas de transmisión de la rueda sobre la polea del motor.



Correa de la plataforma

1. Detenga el motor, quite la llave y espere a que todas las piezas en movimiento se paren y se enfríen las piezas calientes.
2. Quite las dos correas de transmisión de la polea del motor. Véase *Correas de la transmisión de las ruedas* en la página 22
3. Quite la correa de la TDF del embrague de la TDF Véase *Correa de la TDF* en la página 23.
4. Quite los dos brazos de la polea tensora de la plataforma.
5. Extraiga la correa de la plataforma y monte una correa nueva.
6. Monte los dos brazos de la polea tensora en la plataforma.
7. Monte la correa de la TDF en el embrague de la TDF.

RECOLOCACIÓN DE LA CUCHILLA DE CORTE

Desmontar (Figura 17)

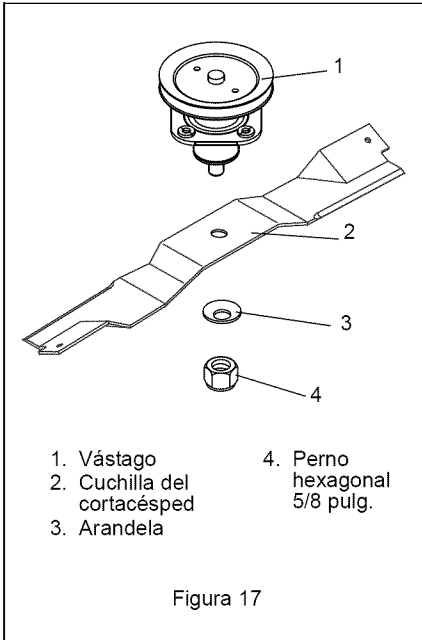


PRECAUCIÓN: Las cuchillas del cortacésped están afiladas y podrían cortarle. Envuelva las cuchillas o lleve guantes y tenga cuidado cuando las repare.

1. Bloquee las cuchillas del cortacésped para impedir su giro.
2. Extraiga la tornillería de montaje y las cuchillas de corte de la plataforma de corte.

Montar (Figura 17)

1. Instale las cuchillas de corte en la plataforma de corte haciendo uso de la tornillería de montaje.
2. Apriete la tuerca hexagonal de 5/8 pulgada a 92 – 130 lbf-ft (125 – 176 N•m).



MANTENIMIENTO DE LA BATERÍA

NOTA: La unidad viene equipada con una batería que no requiere mantenimiento, excepto la limpieza de los bornes.



¡ADVERTENCIA! Los bornes de la batería, terminales y accesorios relacionados contienen plomo y compuestos de plomo, sustancias que en el estado de California se sabe que causan cáncer y daños al sistema reproductor. Lávese las manos después de manejarlos.

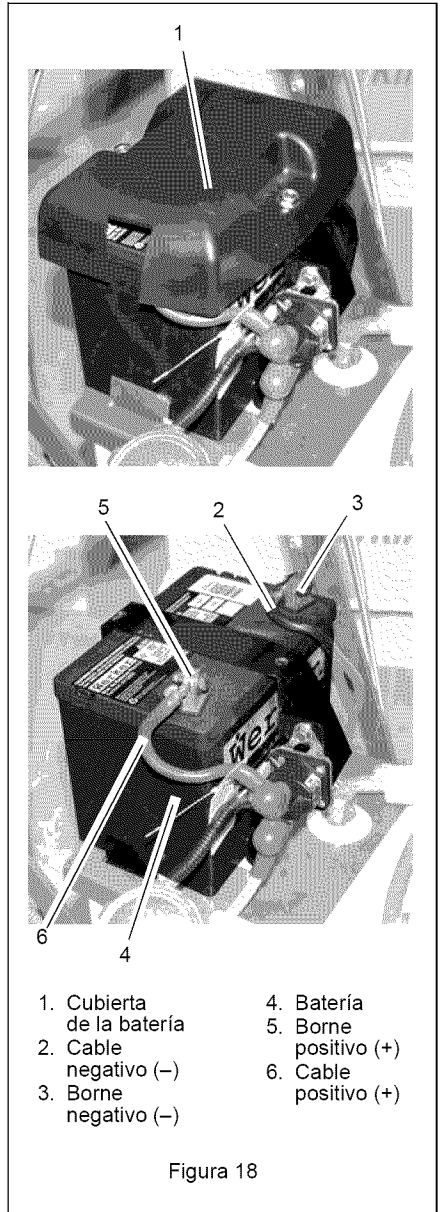
Extracción e instalación de la batería

Extracción (Figura 18)

1. Quite la tapa de la batería.
2. Desconecte primero el cable negativo (-), y luego el cable positivo (+).
3. Extraer la batería de la unidad.

Instalación (Figura 18)

1. Monte la batería en la unidad.
2. Conecte el cable positivo (+) primero, y después el negativo (-).
3. Aplique vaselina o una grasa dieléctrica a los bornes y a las puntas de los cables de la batería.
4. Coloque de nuevo la tapa de la batería.



Limpieza de la batería y de sus cables

(Figura 18)

1. Quite la tapa de la batería.
2. Desconecte primero el cable negativo (-), y luego el cable positivo (+).
3. Limpie los extremos del cable de la batería, el borne negativo (-), y el borne positivo (+) con una escobilla de alambre y enjuáguelos con una solución muy diluida de bicarbonato sódico.
4. Conecte el cable positivo (+) primero, y después el negativo (-).
5. Aplique vaselina o una grasa dieléctrica a los bornes y a las puntas de los cables de la batería.
6. Retire la cubierta de la correa.

Carga de la batería



¡ADVERTENCIA!
LAS BATERÍAS CONGELADAS PUEDEN EXPLOTAR y provocar la muerte o lesiones graves.
NO cambie baterías congeladas. Deje que se descongelen antes de cambiarlas.

Siga las instrucciones de primeros auxilios después del contacto con el líquido de la batería.

- Contacto externo: Enjuáguese con agua.
- Ojos: ¡Enjuáguese con agua durante por lo menos 15 minutos y llame a un médico inmediatamente!
- Contacto interno: Beba grandes cantidades de agua. Siga con leche de Magnesias, huevos batidos o aceite vegetal. ¡Llame a un médico inmediatamente!
- ¡En caso de contacto interno, NO induzca el vómito!

IMPORTANTE: NO realice una carga rápida. Si la carga es demasiado rápida, la batería puede resultar dañada o destruida.

IMPORTANTE: Siga SIEMPRE la información que venga con la batería y el cargador de la batería. Póngase en contacto con el fabricante de la batería y del cargador para obtener instrucciones detalladas.

1. Extraiga la batería de la unidad (Véase *Extracción e instalación de la batería* en la página 25).
2. Coloque la batería en un área bien ventilada.
3. Conecte el cable positivo (+) del cargador al borne positivo (+), y el cable negativo (-) al borne negativo.
4. Cargue la batería de acuerdo con las instrucciones de los fabricantes del cargador y de la batería.
5. Instale la batería en la unidad (Véase *Extracción e instalación de la batería* en la página 25).

Arranque por puente

Ariens no recomienda el arranque por puente de la unidad ya que se pueden dañar los componentes del motor y del sistema eléctrico. Consulte el Manual del motor para obtener información más detallada.

ALMACENAMIENTO



PRECAUCIÓN: EVITE LAS LESIONES. Antes de proceder, lea y comprenda toda la sección de *Seguridad*.

IMPORTANTE: No pulverice NUNCA la unidad con agua a alta presión ni la almacene en el exterior. Almacénela en un lugar fresco, seco y protegido.

Limpeza

NOTA: Deje que se enfríe la unidad antes de limpiarla.

Limpie bien la unidad con jabón suave y agua a baja presión. Elimine con un cepillo la suciedad y los residuos de todas las superficies. Retoque todas las superficies rayadas para evitar que se oxiden. Puede conseguir pintura para retoques en su distribuidor Ariens. No utilice abrasivos, disolventes ni limpiadores agresivos.

Inspección

Inspeccione el cortacésped y repare o sustituya las piezas dañadas o gastadas para evitar retrasos cuando se vuelva a usar otra vez.

Compruebe regularmente toda la tornillería y mantenga los afianzadores apretados. Vigile que la unidad esté en condiciones de funcionamiento seguras.

Bolsa de recogida del césped

Lave la bolsa de recogida del césped y deje que se seque antes de guardarla. La bolsa puede guardarse colocada en el cortacésped.

Motor

Al almacenar la unidad durante periodos de tiempo prolongados, extraiga todo el combustible del depósito y el carburador (en seco). Consulte el Manual del motor.

Sistema de combustible

La gasolina que permanezca en el sistema de combustible durante largas temporadas sin un estabilizador se deteriorará y generará depósitos de goma en el sistema. Estos depósitos pueden dañar el carburador y los manguitos, filtro y depósito de combustible. Evite la formación de depósitos en el sistema de combustible durante el almacenamiento añadiendo un estabilizador de calidad al combustible. Utilice la relación de mezcla recomendada que encontrará en el recipiente del estabilizador de combustible.

Para tratar el sistema de combustible antes del almacenamiento:

1. Añada estabilizador de combustible de acuerdo con las instrucciones del fabricante.
2. Ponga el motor en marcha durante al menos 10 minutos después de haber añadido estabilizador para permitir que llegue al carburador.

No almacene nunca el motor con combustible en el depósito dentro de un edificio en el que existan posibles fuentes de ignición.

LOCALIZACIÓN DE AVERÍAS

PROBLEMA	POSIBLE CAUSA	CORRECCIÓN
El motor no arranca	<ol style="list-style-type: none"> 1. No se ha apretado el interruptor de seguridad. 2. Interruptor de encendido defectuoso. 3. El fusible del soporte del cableado está fundido. 4. Cables de la batería flojos o corroídos. 5. La batería está descargada. 6. Motor de arranque defectuoso. 7. El depósito del combustible está vacío. 	<ol style="list-style-type: none"> 1. Mantenga pulsado el interruptor de seguridad mientras gira la llave de encendido. 2. Cambie el interruptor de encendido. 3. Reemplazar fusible. 4. Limpie y apriete los cables de la batería. 5. Cargar la batería. 6. Consultar al concesionario Ariens. 7. Llene el depósito de combustible.
El motor es difícil de reiniciar	<ol style="list-style-type: none"> 1. No hay combustible. 2. El filtro de combustible está sucio. 3. Bujía defectuosa. 4. El depurador de aire está sucio o bloqueado. 5. Motor defectuoso. 	<ol style="list-style-type: none"> 1. Llene el depósito de combustible con combustible limpio y fresco. 2. Reemplazar el filtro de combustible. 3. Cambiar la bujía. 4. Limpiar o reemplazar el depurador de aire. 5. Consulte el manual del motor o póngase en contacto con su distribuidor.
El corte es deficiente	<ol style="list-style-type: none"> 1. La plataforma está obstruida con hierba. 2. Las cuchillas están desafiladas. 3. Se está cortando césped húmedo. 4. El corte es demasiado bajo. 5. La correa de la TDF patina. 	<ol style="list-style-type: none"> 1. Limpie la cámara de corte de la plataforma. 2. Aflar o cambiar las cuchillas. 3. Espere hasta que se seque el césped. 4. Eleve la altura de corte y corte el césped en dos o más pasadas. 5. Ajuste o cambie la correa de la TDF.
El césped no se dispersa uniformemente	<ol style="list-style-type: none"> 1. La plataforma está obstruida con hierba. 2. Las cuchillas están desafiladas. 3. Se está cortando césped húmedo. 4. El corte es demasiado bajo. 	<ol style="list-style-type: none"> 1. Limpie la cámara de corte de la plataforma. 2. Aflar o cambiar las cuchillas. 3. Espere hasta que se seque el césped. 4. Eleve la altura de corte y corte el césped en dos o más pasadas.

PROBLEMA	POSIBLE CAUSA	CORRECCIÓN
El cortacésped no embolsa los recortes.	<ol style="list-style-type: none"> 1. La plataforma está obstruida con hierba. 2. Las cuchillas están desafiladas. 3. Se está cortando césped húmedo. 4. El corte es demasiado bajo. 5. La correa de la TDF patina. 	<ol style="list-style-type: none"> 1. Limpie la cámara de corte de la plataforma. 2. Afilar o cambiar las cuchillas. 3. Espere hasta que se seque el césped. 4. Eleve la altura de corte y corte el césped en dos o más pasadas. 5. Ajuste o cambie la correa de la TDF.
La transmisión de la rueda no engancha	<ol style="list-style-type: none"> 1. Correas de transmisión flojas o dañadas. 2. Cable de la transmisión dañado. 3. Transmisión o componentes de la transmisión dañados. 	<ol style="list-style-type: none"> 1. Ajuste o cambie las correas de transmisión. Véase <i>Correas de la transmisión de las ruedas</i> en la página 22. 2. Cambie el cable de la transmisión. Consulte con su distribuidor autorizado para reparaciones. 3. Solicite una reparación a su distribuidor.

PIEZAS DE REPUESTO

Utilice siempre piezas originales de Ariens para mantener el cortacésped operando como nuevo.

Descripción	Número de pieza
Revisión de la cuchilla del cortacésped	03746500
Cuchilla para el pajote	03797300
Correa de transmisión – de avance	07200529
Correa de transmisión – de marcha atrás	07200506
Correa de la TDF	07243300
Correa de la plataforma	07234300
Bujía	21534100

ACCESORIOS

Consulte con su distribuidor autorizado Ariens para instalar estos accesorios opcionales.

71106100	Kit de embolsadora
71508000	Juego para pajote

ESPECIFICACIONES

Número de modelo	911410
Descripción	WAW 34
Longitud - pulg. (cm)	68,5 (174)
Altura - pulg. (cm)	38 (96,5)
Anchura- pulg. (cm)	36 (91,4)
Peso real - lb (kg)	276 (125,2)
Anchura de corte - pulg. (cm)	34 (86,3)
Altura de corte - pulg. (cm)	1,75 – 3,5 (4,4 – 8,9)
Motor, 4 ciclos	Briggs & Stratton
Modelo	I/C
RPM regidas (puede ser diferente de las RPM máximas)	3600 +/- 100
Cilindrada - cu. in (cc)	21 (344)
Diámetro interior del cilindro	Aluminio
Tipo de aceite de motor	Consulte el Manual del motor.
Capacidad del cárter - Oz (Litros)	48 (1,4)
Sistema de aceite	Consulte el Manual del motor.
Juego de las bujías -	Consulte el Manual del motor.
Tipo de combustible	Consulte el Manual del motor.
Capacidad del depósito de combustible - qt (litros)	10 (9,5)
Filtro de aire	Elemento dual
Arranque	12V eléctrico
Diferencial	Sí
Velocidad de avance - MPH (km/hr)	3,5 (5,6)
Velocidad de marcha atrás - MPH (km/hr)	2,0 (3,2)
Plataforma de corte	Doble eje
Diámetro de la rueda delantera - pulg. (cm)	8 (20,3)
Diámetro de la rueda trasera - pulg. (cm)	13 (33)
Presión de los neumáticos traseros psi (kPa)	28 (193)
Garantía	Garantía al consumidor de 2 años



Garantía limitada de dos años de la gama Césped y Jardín

Esta garantía se aplica únicamente a cortacésped de empuje manual de 21 pulgadas, plataformas de gran anchura, plataformas de gran anchura serie AMP, cultivadoras, recortadoras de cadena, partidoras de troncos, bordeadoras y escobillas eléctricas

Ariens Company (Ariens) garantiza al **comprador original** que los productos comerciales de la marca Ariens y Gravely fabricados y vendidos por Ariens se hallarán libres de defectos en materiales y fabricación por un periodo de dos años a partir de la fecha de compra. Un concesionario autorizado Ariens (productos de la marca Ariens) o Gravely (productos de la marca Gravely) reparará cualquier defecto en los materiales o en la fabricación, y reparará o sustituirá cualquier pieza defectuosa, sujeto a las condiciones, limitaciones y exclusiones expuestas en la presente garantía. Dicha reparación o sustitución se hará sin cargo alguno (mano de obra y piezas) al comprador original, excepto en los casos indicados más adelante.

Garantía limitada de dos años sobre bloques de baterías Serie AMP™ y subconjuntos

El bloque de baterías y/o los subconjuntos de cortacésped con operador sentado serie AMP están garantizados al **comprador original** durante un periodo de dos años a contar desde la fecha de compra. Ariens sustituirá, sin cargo alguno para el comprador original, cualquier bloque de baterías y/o subconjunto que presente algún fallo por defectos en materiales o fabricación durante un año a contar desde la fecha de compra. Durante los 12 meses siguientes, Ariens asumirá el coste prorrateado generado por la sustitución de un bloque de batería y/o subconjunto que presente algún fallo por defecto de materiales o de fabricación. Esta garantía no se aplica a bloques de batería o subconjuntos que fallen debido a accidente, negligencia, abuso, mantenimiento inadecuado, almacenamiento inadecuado u operaciones de carga inadecuadas.

Garantía limitada de un año sobre cortacésped profesionales/comerciales de empuje manual de 21 pulgadas

Se garantiza al **comprador original** que los cortacésped de empuje manual de 21 pulgadas etiquetados o designados por Ariens como productos profesionales/comerciales para uso profesional, agrícola, comercial o industrial se hallarán libres de defectos de material y de fabricación durante un periodo de un año a partir de la fecha de compra.

Garantía limitada de 90 días sobre piezas de servicio y accesorios

Se garantiza que las piezas de servicio originales y accesorios de marca Ariens o Gravely están libres de defectos en material y mano de obra durante un periodo de 90 días a contar desde la fecha de compra. Un distribuidor autorizado Ariens o Gravely reparará o sustituirá cualquier pieza o accesorios en estos casos sin cargo alguno, excepto mano de obra, durante dicho periodo.

Excepto para cortacésped de empuje manual de 21 pulgadas etiquetados o designados por Ariens como producto profesional/comercial, la duración de todas las garantías estipuladas se aplica únicamente si se da al producto un uso personal en un hogar o residencia. Si se usa el producto para fines profesionales, agrícolas, comerciales o industriales, la duración de estas garantías será de 90 días a partir de la fecha de compra. Si se arrienda o se alquila un producto, la duración de estas garantías será de 90 días a partir de la fecha de compra.

Excepciones, limitaciones, exclusiones

Responsabilidades de los clientes

Registre el producto inmediatamente en el momento de la venta. Si el distribuidor no registra el producto, el cliente debe rellenar la tarjeta de registro del aparato y devolverla a Ariens Company, o deberá registrarse online en www.ariens.com o www.gravely.com.

Para conseguir un servicio bajo garantía, el **comprador original** debe:

- Llevar a cabo el mantenimiento y ajustes menores según el manual del propietario.
- Notificar puntualmente a Ariens o a un representante de servicio autorizado de Ariens o Gravely de la necesidad de reparación bajo garantía.
- Transportar del producto a y desde el lugar de reparación cubierto por la garantía.
- Las reparaciones bajo garantía deben ser realizadas por un representante de servicio Ariens o Gravely.

Para encontrar un representante autorizado de servicio técnico Ariens o Gravely, póngase contacto con Ariens en:

655 W. Ryan Street
Brillion, WI 54110
(920) 756 - 2141
www.ariens.com
www.gravely.com

Excepciones y Limitaciones

- Las baterías sólo se garantizan por un periodo de 12 meses a partir de la fecha de compra, en base a prorrateo. Durante los primeros 90 días del periodo de garantía, se sustituirá una batería defectuosa sin cargo alguno. Si el periodo aplicable de garantía supera los 90 días, Ariens asumirá el coste prorrateado de cualquier batería defectuosa, hasta llegar a los 12 meses a partir de la fecha de la compra. Esta garantía limitada para baterías no se aplica para bloques de baterías o productos serie AMP.

Exclusiones – Piezas no cubiertas por esta garantía

- Los motores y accesorios del motor están cubiertos sólo por la garantía del fabricante del motor, y no están cubiertos por esta garantía.
- Las piezas que no son piezas originales de las marcas Ariens o Gravely no están cubiertas por esta garantía.
- Las siguientes piezas de mantenimiento, servicio y recambio no están cubiertas por esta garantía a menos que figure en la sección Limitaciones anterior: lubricantes, bujías, aceite, filtros de aceite, filtros de aire, filtros de combustible, guarniciones de frenos, palancas del freno, zapatas, guías, cuchillas raspadoras, pernos de seguridad, cuchillas del cortacésped, aspas del cortacésped, brazos, escobillas, faros delanteros, bombillas, cuchillos, cuchillas.
- Cualquier defecto que sea resultado del uso indebido, alteración, montaje incorrecto, negligencia o accidente que requiera reparación, no está cubierto por esta garantía.
- Esta garantía sólo aplica a productos adquiridos en Estados Unidos (incluyendo Puerto Rico) y Canadá. En el resto de países, póngase en contacto con el punto de compra para obtener información sobre la garantía.

Renuncia

Ariens puede modificar con cierta frecuencia el diseño de sus productos. Nada incluido en esta garantía se interpretará de tal modo que obligue a Ariens Company a incorporar tales cambios de diseño en los productos fabricados previamente, ni se interpretarán tales cambios como una admisión de que tales diseños eran defectuosos.

LIMITACIÓN DE REMEDIOS Y DAÑOS

La responsabilidad de Ariens Company bajo esta garantía y bajo cualquier garantía implícita que pueda existir se limita a la reparación o sustitución de cualquier defecto de fabricación, y a la reparación o sustitución de cualquier pieza defectuosa. No podrá hacerse responsable a Ariens Company de ningún daño fortuito, especial o indirecto (incluyendo la pérdida de beneficios). Algunos Estados no permiten la exclusión de daños fortuitos o indirectos, por lo que la anterior limitación podría no aplicarse a usted.

RENUNCIA DE GARANTÍA ADICIONAL

Ariens Company no proporciona ninguna garantía, expresa o implícita, aparte de la expuesta de manera expresa en la presente garantía. Si las leyes de su Estado determinan la aplicación a Ariens de una garantía implícita de aptitud o de idoneidad para un propósito particular, o de cualquier otro tipo de garantía implícita, dicha garantía implícita estará limitada a la duración de la presente garantía. Algunos Estados no permiten limitaciones a la duración de dichas garantías implícitas, por lo que la anterior limitación podría no aplicarse a usted.

Esta garantía le proporciona derechos legales específicos y puede tener también otros derechos que varían de Estado a Estado.



Ariens Company
655 West Ryan Street
Brillion, WI 54110-1072
920-756-2141
Fax 920-756-2407
www.ariens.com

⚠ WARNING ⚠

The engine exhaust from this product contains chemicals known to the State of California to cause cancer, birth defects or other reproductive harm.