



BUILT-IN MICROWAVE OVEN

Use and Care Guide

For questions about features, operation/performance, parts, accessories or service, call: **1-866-664-2449**.

In Canada, for assistance, installation or service, call: **1-866-664-2449**.

FOUR À MICRO-ONDES ENCASTRÉ

Guide d'utilisation et d'entretien

Au Canada, pour assistance, installation ou service composez le **1-866-664-2449**.

Table of Contents/Table des matières	2
--	---

Model/Modèle **IBMS1455**

W10259811A

TABLE OF CONTENTS

BUILT-IN MICROWAVE OVEN SAFETY	3
Electrical Requirements	4
PARTS AND FEATURES	5
Turntable	5
MICROWAVE OVEN CONTROL	6
Indicators and Icons.....	6
Display.....	7
Start.....	7
Stop.....	7
Add 30 seconds	7
Program Dial.....	7
Settings Dial	7
Clock	7
Tones.....	7
Control Lock.....	7
Cooling Fan	7
MICROWAVE OVEN USE	8
Food Characteristics	8
Cooking Guidelines	8
Cookware and Dinnerware	9
Aluminum Foil and Metal	9
Microwave Cooking Power.....	9
Manual Cooking	10
Doneness	10
Cook	10
Reheat	11
Defrost	11
Popcorn, Baked Potatoes and Dinner Plate.....	12
MICROWAVE OVEN CARE	13
General Cleaning.....	13
TROUBLESHOOTING	14
ASSISTANCE OR SERVICE	15
In the U.S.A.	15
In Canada	15
Replacement Parts.....	15
WARRANTY	16

TABLE DES MATIÈRES

SÉCURITÉ DU FOUR À MICRO-ONDES ENCASTRÉ	17
Spécifications électriques	19
PIÈCES ET CARACTÉRISTIQUES	19
Plateau rotatif	19
TABLEAU DE COMMANDE DU FOUR À MICRO-ONDES	20
Indicateurs et icônes	20
Affichage.....	21
Mise en marche.....	21
Arrêt	21
Ajouter 30 secondes	21
Bouton rotatif Programme	21
Bouton rotatif Réglages	21
Horloge	21
Signaux sonores.....	21
Verrouillage des commandes.....	21
Ventilateur de refroidissement	21
UTILISATION DU FOUR À MICRO-ONDES	22
Caractéristiques des aliments.....	22
Guide de cuisson.....	22
Ustensiles de cuisson et vaisselle.....	23
Papier d'aluminium et métal.....	23
Puissance de cuisson des micro-ondes.....	23
Cuisson manuelle	24
Degré de cuisson	24
Cuisson.....	24
Réchauffage	25
Décongélation	26
Maïs éclaté, pommes de terre au four et assiettée	27
ENTRETIEN DU FOUR À MICRO-ONDES	28
Nettoyage général	28
DÉPANNAGE	29
ASSISTANCE OU SERVICE	30
Au Canada	30
Pièces de rechange.....	30
GARANTIE	31

BUILT-IN MICROWAVE OVEN SAFETY

Your safety and the safety of others are very important.

We have provided many important safety messages in this manual and on your appliance. Always read and obey all safety messages.



This is the safety alert symbol.

This symbol alerts you to potential hazards that can kill or hurt you and others.

All safety messages will follow the safety alert symbol and either the word “DANGER” or “WARNING.”

These words mean:

⚠ DANGER

You can be killed or seriously injured if you don't immediately follow instructions.

⚠ WARNING

You can be killed or seriously injured if you don't follow instructions.

All safety messages will tell you what the potential hazard is, tell you how to reduce the chance of injury, and tell you what can happen if the instructions are not followed.

IMPORTANT SAFETY INSTRUCTIONS

When using electrical appliances basic safety precautions should be followed, including the following:

WARNING: To reduce the risk of burns, electric shock, fire, injury to persons, or exposure to excessive microwave energy:

- Read all instructions before using the microwave oven.
- Read and follow the specific “PRECAUTIONS TO AVOID POSSIBLE EXPOSURE TO EXCESSIVE MICROWAVE ENERGY” found in this section.
- The microwave oven must be grounded. Connect only to properly grounded outlet. See “GROUNDING INSTRUCTIONS” found in this section and in the provided Installation Instructions.
- Install or locate the microwave oven only in accordance with the provided Installation Instructions.
- Some products such as whole eggs in the shell and sealed containers – for example, closed glass jars – are able to explode and should not be heated in the microwave oven.
- Use the microwave oven only for its intended use as described in this manual. Do not use corrosive chemicals or vapors in the microwave oven. This type of oven is specifically designed to heat, cook, or dry food. It is not designed for industrial or laboratory use.
- As with any appliance, close supervision is necessary when used by children.
- Do not operate the microwave oven if it has a damaged cord or plug, if it is not working properly, or if it has been damaged or dropped.
- The microwave oven should be serviced only by qualified service personnel. Call an authorized service company for examination, repair, or adjustment.
- See door surface cleaning instructions in the “Microwave Oven Care” section.
- To reduce the risk of fire in the oven cavity:
 - Do not overcook food. Carefully attend the microwave oven when paper, plastic, or other combustible materials are placed inside the oven to facilitate cooking.
 - Remove wire twist-ties from paper or plastic bags before placing bags in oven.
 - If materials inside the oven ignite, keep oven door closed, turn oven off, and disconnect the power cord, or shut off power at the fuse or circuit breaker panel.
 - Do not use the cavity for storage purposes. Do not leave paper products, cooking utensils, or food in the cavity when not in use.
- Liquids, such as water, coffee, or tea are able to be overheated beyond the boiling point without appearing to be boiling. Visible bubbling or boiling when the container is removed from the microwave oven is not always present. **THIS COULD RESULT IN VERY HOT LIQUIDS SUDDENLY BOILING OVER WHEN THE CONTAINER IS DISTURBED OR A SPOON OR OTHER UTENSIL IS INSERTED INTO THE LIQUID.**
 - To reduce the risk of injury to persons:
 - Do not overheat the liquid.
 - Stir the liquid both before and halfway through heating it.
 - Do not use straight-sided containers with narrow necks.
 - After heating, allow the container to stand in the microwave oven for a short time before removing the container.
 - Use extreme care when inserting a spoon or other utensil into the container.
- Oversized foods or oversized metal utensils should not be inserted in the microwave oven as they may create a fire or risk of electric shock.
- Do not clean with metal scouring pads. Pieces can burn off the pad and touch electrical parts involving a risk of electric shock.

SAVE THESE INSTRUCTIONS

IMPORTANT SAFETY INSTRUCTIONS

- Do not use paper products when appliance is operated in convection, combination, grill or "PAN BROWN" mode (on models with such features).
- Do not store any materials, other than manufacturer's recommended accessories, in this oven when not in use.
- Do not store anything directly on top of the microwave oven when the microwave oven is in operation.
- Do not cover or block any openings on the microwave oven.
- Do not store this microwave oven outdoors. Do not use the microwave oven near water - for example, near a kitchen sink, in a wet basement, or near a swimming pool, or similar locations.
- Do not immerse cord or plug in water.
- Keep cord away from heated surfaces.
- Do not let cord hang over edge of table or counter.
- Do not mount over a sink.
- Do not cover racks or any other part of the oven with metal foil. This will cause overheating of the oven.

SAVE THESE INSTRUCTIONS

PRECAUTIONS TO AVOID POSSIBLE EXPOSURE TO EXCESSIVE MICROWAVE ENERGY

- (a) Do not attempt to operate this oven with the door open since open-door operation can result in harmful exposure to microwave energy. It is important not to defeat or tamper with the safety interlocks.
- (b) Do not place any object between the oven front face and the door or allow soil or cleaner residue to accumulate on sealing surfaces.
- (c) Do not operate the oven if it is damaged. It is particularly important that the oven door close properly and that there is no damage to the:
 - (1) Door (bent),
 - (2) Hinges and latches (broken or loosened),
 - (3) Door seals and sealing surfaces.
- (d) The oven should not be adjusted or repaired by anyone except properly qualified service personnel.

Electrical Requirements

⚠ WARNING



Electrical Shock Hazard

Plug into a grounded 3 prong outlet.

Do not remove ground prong.

Do not use an adapter.

Do not use an extension cord.

Failure to follow these instructions can result in death, fire, or electrical shock.

Observe all governing codes and ordinances.

Required:

- A 120 Volt, 60 Hz, AC only, 15- or 20-amp electrical supply with a fuse or circuit breaker.

Recommended:

- A time-delay fuse or time-delay circuit breaker.
- A separate circuit serving only this microwave oven.

GROUNDING INSTRUCTIONS

■ For all cord connected appliances:

The microwave oven must be grounded. In the event of an electrical short circuit, grounding reduces the risk of electric shock by providing an escape wire for the electric current. The microwave oven is equipped with a cord having a grounding wire with a grounding plug. The plug must be plugged into an outlet that is properly installed and grounded.

WARNING: Improper use of the grounding plug can result in a risk of electric shock. Consult a qualified electrician or serviceman if the grounding instructions are not completely understood, or if doubt exists as to whether the microwave oven is properly grounded.

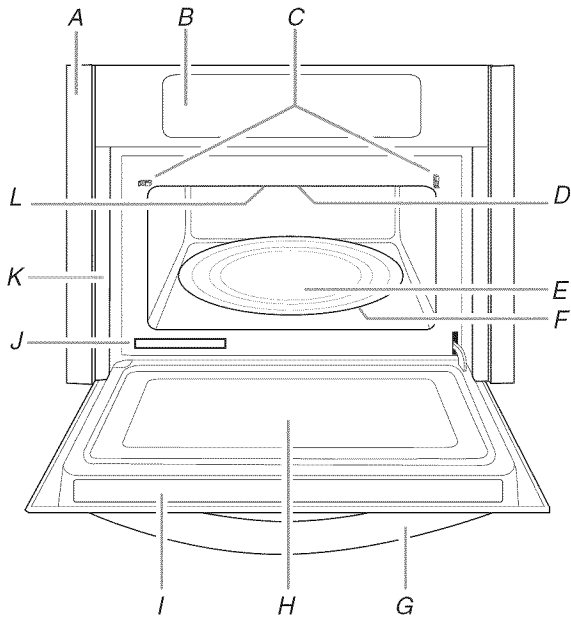
Do not use an extension cord. If the power supply cord is too short, have a qualified electrician or serviceman install an outlet near the microwave oven.

SAVE THESE INSTRUCTIONS

This device complies with Part 18 of the FCC Rules.

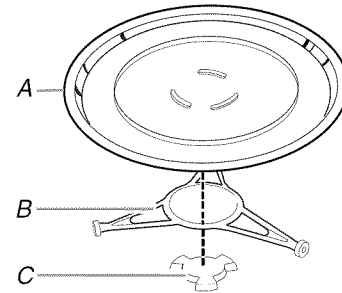
PARTS AND FEATURES

This manual may cover several different models. The model you have purchased may have some or all of the features shown here. The appearance of your particular model may differ slightly from the illustrations in this manual.



- A. Trim
- B. Control panel
- C. Door lock system
- D. Microwave oven light
(inaccessible-in ceiling)
- E. Glass turntable
- F. Turntable support, rollers and hub
- G. Door handle
- H. Window
- I. Cooking guide label
- J. Model and serial number plate
- K. Frame
- L. Microwave inlet cover

Turntable

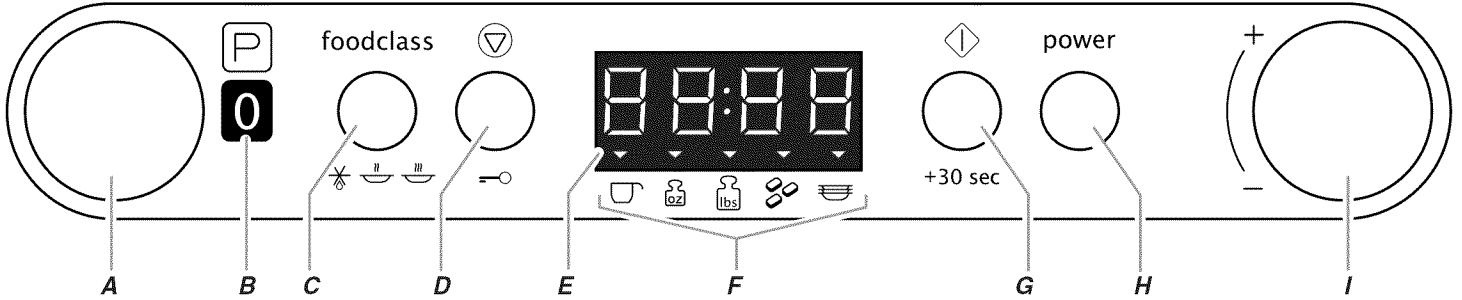


- A. Turntable
- B. Support
- C. Hub

The turntable can rotate in either direction to help cook food more evenly. For best cooking results, do not operate the microwave oven without having the turntable in place. See "Assistance or Service" to reorder any of the parts.

To Install: Place the turntable on the support. Fit the raised, curved lines in the center of the turntable bottom between the three spokes of the hub. The rollers on the support should fit inside the turntable bottom ridge.

MICROWAVE OVEN CONTROL



A. Program dial (push and release to pop out)
 B. Program indicator display (in "Off" position)
 C. Food class selector

D. Stop/Control lock control
 E. Display
 F. Quantity indicators

G. Start/Add 30 seconds control
 H. Power control
 I. Settings dial (push and release to pop out)

Indicators and Icons

The microwave oven features several graphic indicators of programs and food class items, which will appear in the Program indicator display during programming. The control panel itself has graphic icons that indicate quantities represented in the display during programming. There are also graphic icons on the control panel that indicate the various controls' functions. See chart below.

PROGRAM INDICATORS

	Off
	Manual cook
	Defrost
	Reheat
	Preset cook
	Dinner plate
	Baked potato
	Popcorn
	Clock set

FOOD CLASS INDICATORS

Fc	Food class		Chicken Fc3
	Baked goods Fc1		Fresh vegetables Fc4
	Beverage Fc2		Frozen entrée Fc5
	Casserole Fc3		Frozen vegetables Fc6
	Pizza Fc4		Rice Fc7
	Sauce Fc5		Bread Fc1
	Soup Fc6		Fish, Seafood Fc2
	Canned vegetables Fc1		Meat Fc3
	Cereal Fc2		Poultry Fc4

QUANTITY INDICATORS

	Cups
	Oz
	Lbs
	Pieces
	Servings

CONTROL PANEL ICONS

	Program
	Stop
	Control lock
	Start

NOTE: When the Program dial is in the "Off" position, the control will not respond to any commands.

Display

When power is first supplied to the microwave oven, a “:” will appear in the display.

When the microwave oven is in use, the display shows cooking power, quantities, weights and/or prompts. When the microwave oven is not in use, the display shows the time of day.

Start

The Start control begins any function. If cooking is interrupted, touching the Start control will resume the preset cycle.

NOTE: To avoid unintentional operation of the microwave oven, a cooking function cannot be started if the microwave oven door has been closed for about 5 minutes or more. “DOOR” will appear in the display until the door is opened and closed.

Stop

The Stop control clears any incorrect command and cancels most functions. It will not erase the time of day unless the display is in Set Clock mode. See “Clock” section.

The microwave oven will also turn off when the door is opened. Close the door and touch Start to resume the cycle.

Add 30 seconds

With the Program dial turned to Manual, the + 30 SEC control automatically starts the microwave oven at 100% power for 30 seconds. Each additional press of the control will add 30 seconds of cook time.

Cook time may be added to a manual cooking cycle at the current power level by pressing + 30 SEC.

NOTE: To avoid unintentional operation of the microwave oven, a cooking function cannot be started if the microwave oven door has been closed for about 5 minutes or more. “DOOR” will appear in the display until the door is opened and closed.

Program Dial

Use the Program dial to enter programming modes, or standby mode.

Push and release to pop out the dial. Turn the dial to make program selections.

The selected program indicators will appear in the program indicator display.

Settings Dial

Use the Settings dial to select options, set the clock, set cook time and cook power, select food type and amount/weight, and adjust doneness.

Push and release to pop out the dial.

Clock

This is a standard 12-hour clock (12:00-11:59).

To Set:

1. Turn Program dial to the set clock program.
2. Turn Settings dial to set the hour.
3. Press the Start control.
4. Turn Settings dial to set the minutes.
5. Press the Start control to complete the setting.
6. Return Program dial to Off.

To Cancel Clock:

1. Turn Program dial to the clock set program.
 2. Press Stop.
The clock will disappear.
 3. Return Program dial to Off.
-

Tones

Tones are audible signals that cannot be turned off, and their volume cannot be changed. These tones indicate the following:

One tone

- Reminder, repeat each minute after the end-of-cycle tones

Two tones

- Hidden feature has been entered or exited

Three tones

- End of cycle
 - Invalid entry
-

Control Lock

The Control Lock shuts down the panel controls to avoid unintended use of the microwave oven.

When the control panel is locked, none of the controls will function. If a control is pressed, “LOC” will appear in the display and invalid entry tones will sound.

To Lock/Unlock Control: Before locking, make sure the microwave oven is off. Press and hold STOP for 3 seconds until the tone sounds. Repeat to unlock the controls.

Cooling Fan

Depending on the length of the cooking cycle, the cooling fan may continue to run after that cycle has ended. This is normal, and helps eliminate moisture that may accumulate inside the microwave oven before the door is opened.

While the fan is running, “COOL” will appear in the display. The fan will turn off automatically.

MICROWAVE OVEN USE

A magnetron in the microwave oven produces microwaves which reflect off the metal floor, walls and ceiling and pass through the turntable and appropriate cookware to the food. Microwaves are attracted to and absorbed by fat, sugar and water molecules in the food, causing them to move, producing friction and heat which cooks the food.

- To avoid damage to the microwave oven, do not lean on or allow children to swing on the microwave oven door.
- To avoid damage to the microwave oven, do not operate microwave oven when it is empty.
- Baby bottles and baby food jars should not be heated in microwave oven.
- Clothes, flowers, fruit, herbs, wood, gourds, paper, including brown paper bags and newspaper, should not be dried in microwave oven.
- Paraffin wax will not melt in the microwave oven because it does not absorb microwaves.
- Use oven mitts or pot holders when removing containers from microwave oven.
- Do not overcook potatoes. At the end of the recommended cook time, potatoes should be slightly firm. Let potatoes stand for 5 minutes. They will finish cooking while standing.
- Do not cook or reheat whole eggs inside the shell. Steam buildup in whole eggs may cause them to burst, requiring significant cleanup of microwave oven cavity. Cover poached eggs and allow a standing time.

Food Characteristics

When microwave cooking, the amount, size and shape, starting temperature, composition and density of the food affect cooking results.

Amount of Food

The more food heated at once, the longer the cook time needed. Check for doneness and add small increments of time if necessary.

Size and Shape

Smaller pieces of food will cook more quickly than larger pieces, and uniformly shaped foods cook more evenly than irregularly shaped food.

Starting Temperature

Room temperature foods will heat faster than refrigerated foods, and refrigerated foods will heat faster than frozen foods.

Composition and Density

Foods high in fat and sugar will reach a higher temperature, and will heat faster than other foods. Heavy, dense foods, such as meat and potatoes, require a longer cook time than the same size of a light, porous food, such as cake.

Cooking Guidelines

Covering

Covering food helps retain moisture, shorten cook time and reduce spattering. Use the lid supplied with cookware. If a lid is not available, wax paper, paper towels or plastic wrap approved for microwave ovens may be used. Plastic wrap should be turned back at one corner to provide an opening to vent steam. Condensation on the door and cavity surfaces is normal during heavy cooking.

Stirring and Turning

Stirring and turning redistribute heat evenly to avoid overcooking the outer edges of food. Stir from outside to center. If possible, turn food over from bottom to top.

Arranging

If heating irregularly shaped or different sized foods, arrange the thinner parts and smaller sized items toward the center. If cooking several items of the same size and shape, place them in a ring pattern, leaving the center of the ring empty.

Piercing

Before heating, use a fork or small knife to pierce or prick foods that have a skin or membrane, such as potatoes, egg yolks, chicken livers, hot dogs, and sausage. Prick in several places to allow steam to vent.

Shielding

Use small, flat pieces of aluminum foil to shield the thin pieces of irregularly shaped foods, bones and foods such as chicken wings, leg tips and fish tail. See "Aluminum Foil and Metal" first.

Standing Time

Food will continue to cook by the natural conduction of heat even after the microwave cooking cycle ends. The length of standing time depends on the volume and density of the food.

Cookware and Dinnerware

Cookware and dinnerware must fit on the turntable. Always use oven mitts or pot holders when handling because any dish may become hot from heat transferred from the food. Do not use cookware and dinnerware with gold or silver trim. Use the following chart as a guide, then test before using.

MATERIAL	RECOMMENDATIONS
Aluminum Foil, Metal	See "Aluminum Foil and Metal" section.
Browning Dish	Bottom must be at least 3/16" (5 mm) above the turntable. Follow manufacturer's recommendations.
Ceramic Glass, Glass	Acceptable for use.
China, Earthenware	Follow manufacturer's recommendations.
Melamine	Follow manufacturer's recommendations.
Paper: Towels, Dinnerware, Napkins	Use nonrecycled and those approved by the manufacturer for microwave oven use.
Plastic: Wraps, Bags, Covers, Dinnerware, Containers	Use those approved by the manufacturer for microwave oven use.
Pottery and Clay	Follow manufacturer's recommendations.
Silicone Bakeware	Follow manufacturer's recommendations.
Straw, Wicker, Wooden Containers	Do not use in microwave oven.
Wax Paper	Acceptable for use.

To Test Cookware or Dinnerware for Microwave Use:

- Place cookware or dinnerware in microwave oven with 1 cup (250 mL) of water beside it.
 - Cook at 100% cooking power for 1 minute.
- Do not use cookware or dinnerware if it becomes hot and the water stays cool.

Aluminum Foil and Metal

Always use oven mitts or pot holders when removing dishes from the microwave oven.

Aluminum foil and some metal can be used in the microwave oven. If not used properly, arcing (a blue flash of light) can occur and cause damage to the microwave oven.

OK for Use

Racks and bakeware supplied with the microwave oven (on some models), aluminum foil for shielding, and approved meat thermometers may be used with the following guidelines:

- To avoid damage to the microwave oven, do not allow aluminum foil or metal to touch the inside cavity walls, ceiling or floor.
- Always use the turntable.
- To avoid damage to the microwave oven, do not allow contact with another metal object during microwave cooking.

Do Not Use

Metal cookware and bakeware, gold, silver, pewter, non-approved meat thermometers, skewers, twist ties, foil liners such as sandwich wrappers, staples and objects with gold or silver trim or a metallic glaze should not be used in the microwave oven.

Microwave Cooking Power

Many recipes for microwave cooking specify which cooking power to use by percent or name. For example, 70%=Medium-High.

Use the following chart as a general guide for the suggested cooking power of specific foods.

PERCENT/NAME	USE
100%, High (default setting)	Quick heating convenience foods and foods with high water content, such as soups, beverages and most vegetables.
90%	Cooking small, tender pieces of meat, ground meat, poultry pieces and fish fillets. Heating cream soups.
80%	Heating rice, pasta or stirrable casseroles. Cooking and heating foods that need a cook power lower than high. For example, whole fish and meat loaf.
70%, Medium-High	Reheating a single serving of food.
60%	Cooking sensitive foods such as cheese and egg dishes, pudding and custards. Cooking non-stirrable casseroles, such as lasagna.
50%, Medium	Cooking ham, whole poultry and pot roasts. Simmering stews.
40%	Melting chocolate. Heating bread, rolls and pastries.
30%, Medium-Low, Defrost	Defrosting bread, fish, meats, poultry and precooked foods.
20%	Softening butter, cheese, and ice cream.
10%, Low	Taking chill out of fruit.

Manual Cooking

Cook time may be set in the following increments, in minutes and seconds:

INCREMENT	TIME SETTING
0:05	0:05-1:00
0:15	1:15-3:00
0:30	3:30-6:00
1:00	7:00-30:00
5:00	35:00-90:00

To Use:

1. Place food on the turntable, and close the door.
 2. Turn Program dial to Manual.
Turn Settings dial to set cook time. See chart for time increments.
If cooking at 100% power, skip Step 3.
 3. Press POWER control.
The display will show the default power of 100%.
Turn Settings dial to select cook power.
 4. Press the Start control.
The display will count down the cook time.
When the cycle ends, "END" will appear in the display, and the end-of-cycle tones will sound, followed by reminder tones.
 5. Press the Stop control to clear the display and/or stop reminder tones.
 6. Return Program dial to Off.
-

Doneness

For most automatic cooking functions, the doneness of a particular food item can be adjusted by turning the Settings dial. Increasing or decreasing the doneness adds time to, or subtracts time from the cooking cycle.

For up to 20 seconds after cooking has started, turning the Settings dial will change the doneness value. There are 5 settings: default, "Hi 1," "Hi 2," "L 1" and "L 2." The display shows "----" for the default setting.

Doneness cannot be adjusted for Defrost functions or for the Popcorn function.

Doneness cannot be decreased for Boneless Chicken Breasts function.

Cook

Times and cooking power have been preset for certain microwavable foods. Use the following chart as a guide.

FOOD	NO.	QUANTITY/INSTRUCTIONS
Canned Vegetables	1	1-4 cups (250 mL-1 L)/ Place in microwave-safe container. Cover with plastic wrap and vent. Stir and let stand 2-3 minutes after cooking.
Cereal	2	1-4 servings/ Use instant cereal. Follow instructions on package. Use microwave-safe bowls with high sides.
Boneless Chicken Breasts	3	1-4 pieces, 6 oz (170 g) each/ Place in microwave-safe dish. Add 2 tbs (30 mL) water. Cover with plastic wrap and vent. Let stand in microwave oven for 3 minutes after cooking.
Fresh Vegetables	4	1-4 cups (250 mL-1 L)/ Place in microwave-safe container. Add 2-4 tbs (30-60 mL) water. Cover with plastic wrap and vent. Stir and let stand 2-3 minutes after cooking.
Frozen Entrée	5	10 or 20 oz (283 or 567 g)/ Remove from package. Loosen cover on three sides. If entree is not in microwave-safe container, place on plate, cover with plastic wrap and vent.
Frozen Vegetables	6	1-4 cups (250 mL-1 L)/ Remove from package. Place in microwave-safe container. Cover with plastic wrap and vent. Stir and let stand 2-3 minutes after cooking.
Rice	7	0.5-2 cups (125-500 mL) dry rice (Use medium or long grain rice.)/ Follow measurements on package for ingredient amounts. Place rice and liquid in microwave-safe dish. Cover with loose-fitting lid. Let stand 5 minutes after cooking, or until liquid is absorbed. Stir.

To Use Cook:

1. Place food on the turntable.
2. Turn Program dial to Cook.
3. Press FOOD CLASS control.
The display will show "Fc1" for the first food type.
Press FOOD CLASS repeatedly until the desired food class is displayed. See chart.
4. Turn Settings dial to the desired amount or weight.
5. Press the Start control.
Doneness may be adjusted within 20 seconds after touching Start by turning the Settings dial.
The display will count down the cook time.
When the cycle ends, "END" will appear in the display, and the end-of-cycle tones will sound, followed by reminder tones.
6. Press the Stop control or open the door to clear the display and/or stop reminder tones.
7. Return Program dial to Off.

Reheat

Times and cooking power have been preset for reheating specific food types. Use the following chart as a guide.

FOOD	NO.	QUANTITY/INSTRUCTIONS
Baked Goods	1	1-6 pieces, 2 oz (57 g) each*/ Place on paper towel.
Beverage	2	1 or 2 cups, 8 oz (250 mL) each/ Do not cover. The diameter of the cup's opening will affect how the liquid heats. Beverages in cups with smaller openings may heat faster.
Casserole (refrigerated)	3	1-4 cups (250 mL-1 L)/ Place in microwave-safe container and cover with plastic wrap. Stir and let stand 2-3 minutes after reheating.
Pizza (refrigerated)	4	1-3 pieces, 3 oz (85 g) each/ Place on paper towel or paper plate.
Sauce	5	1-4 cups (250 mL-1 L)/ Place in microwave-safe container. Cover with plastic wrap and vent. Stir and let stand 2-3 minutes after reheating.
Soup	6	1-4 cups (250 mL-1 L)/ Place in microwave-safe container. Cover with plastic wrap and vent. Stir and let stand 2-3 minutes after reheating.

*For smaller rolls, 2 rolls may be counted as 1 piece.

To Use Reheat:

1. Place food on the turntable.
2. Turn Program dial to Reheat.
3. Press FOOD CLASS control.

The display will show "Fc1" for the first food type.

Press FOOD CLASS repeatedly until the desired food class is displayed. See chart.

4. Turn Settings dial to the desired amount or weight.
5. Press the Start control.

Doneness may be adjusted within 20 seconds after touching the Start control by turning the Settings dial.

The display will count down the cook time.

When the cycle ends, "END" will appear in the display, and the end-of-cycle tones will sound, followed by reminder tones.

6. Press Stop or open the door to clear the display and/or stop reminder tones.
7. Return Program dial to Off.

To Reheat Manually: Follow instructions in "Manual Cooking" section, and use 70% cooking power. See "Microwave Cooking Power" chart.

Defrost

The automatic defrost function can be used, or the microwave oven can be manually set to defrost.

- Unwrap foods and remove lids (e.g. fruit juice containers) before defrosting.
- Shallow packages will defrost more quickly than deep blocks.
- Separate food pieces as soon as possible during or at the end of cycle for more even defrosting.
- Use small pieces of aluminum foil to shield parts of food such as chicken wings, leg tips and fish tails. See "Aluminum Foil and Metal" first.

The automatic defrost function should not be used for food left outside the freezer for more than 20 minutes and frozen ready-made food.

Times and cooking power have been preset for defrosting certain food types. Use the following chart as a guide.

FOOD	NO.	QUANTITY/INSTRUCTIONS
Bread (dinner rolls, muffins, buns, bread slices, bread loaf)	1	0.1-2.0 lbs (45-900 g)/ Place on paper towel. Do not cover.
Fish/Seafood (fillets, steaks, whole shellfish)	2	0.2-4.4 lbs (90 g-2 kg)/ Remove wrap and place in microwave-safe baking dish. Do not cover.
Meat (ground, steaks, roasts, stew, chops, ribs)	3	0.2-6.6 lbs (90 g-3 kg)/ Remove wrap and place in microwave-safe baking dish. Do not cover.
Poultry (whole chicken, chicken pieces, Cornish hens, turkey breast)	4	0.2-6.6 lbs (90 g-3 kg)/ Remove wrap and place breast side up in microwave-safe baking dish. Do not cover.

To Use the Defrost Control:

1. Place food on the turntable.
2. Turn Program dial to Defrost.
3. Press FOOD CLASS control.

The display will show "Fc1" for the first food type.

Press FOOD CLASS repeatedly until the desired food class is displayed. See chart.

4. Turn Settings dial to the desired weight.
 5. Press the Start control.
- The display will count down the cook time.

When the cycle ends, "END" will appear in the display, and the end-of-cycle tones will sound, followed by reminder tones.

6. Press the Stop control or open the door to clear the display and/or stop reminder tones.
7. Return Program dial to Off.

To Defrost Manually: Follow instructions in "Manual Cooking" section, and use 30% cooking power. See "Microwave Cooking Power" chart.

Popcorn, Baked Potatoes and Dinner Plate

NOTE: During Popcorn function, as with all microwave cooking functions, the microwave oven should be attended at all times. Listen for popping to slow to 1 pop every 1 or 2 seconds, then stop the cycle.

Use the following chart as a guide for the Program dial modes.

FOOD	SERVING SIZE	INSTRUCTIONS
Popcorn*	3.0 or 3.5 oz (85 or 99 g)	Pop only one package at a time.
Baked Potato	1-4 medium, 10-13 oz (283-369 g) each, similar in size	Pierce each one several times with a fork. Place on paper towel, around turntable edges, at least 1" (2.5 cm) apart. Let stand 5 minutes after cooking.
Dinner Plate	1 serving (1 plate), 8-16 oz (227-454 g)	Place food on plate, cover with plastic wrap and vent.

*To avoid damage to the microwave oven, do not use regular paper bags or glassware. For best cooking results, do not try to pop unpopped kernels. Use fresh bags of popcorn for optimal results. Cooking results may vary by brand and fat content. For bag sizes not listed in this section, follow directions on package. If using a microwave popcorn popper, follow manufacturer's instructions.

To Use Popcorn:

- Place popcorn bag on the turntable, correct side up, as indicated on the package.
- Turn Program dial to Popcorn.
The display will show "3.0." Turning the Settings dial will change the selection to "3.5."
- Press the Start control.
The display will count down the popping time.
When the cycle ends, "END" will appear in the display, and the end-of-cycle tones will sound, followed by reminder tones.
- Press the Stop control or open the door to clear the display and/or stop reminder tones.
- Return the Program dial to Off.

To Use Baked Potatoes:

- Place food on the turntable, and close the door.
- Turn Program dial to Baked Potato.
- Turn Settings dial to select number of potatoes.
- Press the Start control.
Doneness may be adjusted during the first 20 seconds of cooking by turning the dial. See "Doneness" section.
The display will count down the cook time.
When the cycle ends, "END" will appear in the display, and the end-of-cycle tones will sound, followed by reminder tones.
- Press the Stop control or open the door to clear the display and/or stop reminder tones.
- Return the Program dial to Off.

To Use Dinner Plate:

- Place food on the turntable, and close the door.
- Turn Program dial to Dinner Plate.
- Press the Start control.
Doneness may be adjusted during the first 20 seconds of cooking by turning the dial. See "Doneness" section.
The display will count down the reheat time.
When the cycle ends, "END" will appear in the display, and the end-of-cycle tones will sound, followed by reminder tones.
- Press the Stop control or open the door to clear the display and/or stop reminder tones.
- Return the Program dial to Off.

MICROWAVE OVEN CARE

General Cleaning

IMPORTANT: Before cleaning, make sure all controls are off and the microwave oven is cool. Always follow label instructions on cleaning products.

Soap, water and a soft cloth or sponge are suggested unless otherwise noted.

MICROWAVE OVEN CAVITY

To avoid damage to the microwave oven cavity, do not use soap-filled scouring pads, abrasive cleaners, steel-wool pads, gritty washcloths or some recycled paper towels.

To avoid damage to stainless steel models, rub in direction of grain.

The area where the microwave oven door and frame touch when closed should be kept clean.

Average soil

- Mild, nonabrasive soaps and detergents:
Rinse with clean water and dry with soft, lint-free cloth.

Heavy soil

- Mild, nonabrasive soaps and detergents:
Heat 1 cup (250 mL) of water for 2 to 5 minutes in microwave oven. Steam will soften soil. Rinse with clean water and dry with soft, lint-free cloth.

Odors

- Lemon juice or vinegar:
Heat 1 cup (250 mL) of water with 1 tbs (15 mL) of either lemon juice or vinegar for 2 to 5 minutes in microwave oven.

Microwave Inlet Cover

To avoid arcing and microwave oven damage, the microwave inlet cover (see “Parts and Features”) should be kept clean.

- Wipe with wet cloth.

MICROWAVE OVEN DOOR AND EXTERIOR

The area where the microwave oven door and frame touch when closed should be kept clean.

- Mild, nonabrasive soaps and detergents:
Rinse with clean water and dry with soft, lint-free cloth.
- Glass cleaner and paper towels or nonabrasive plastic scrubbing pad:
Apply glass cleaner to towel, not directly to surface.

Stainless Steel (on some models)

To avoid damage to the microwave oven door and exterior, do not use soap-filled scouring pads, abrasive cleaners, steel-wool pads, gritty washcloths or some paper towels. Rub in direction of grain.

- Stainless Steel Cleaner and Polish (not included):
See “Assistance or Service” section to order.
- Liquid detergent or all-purpose cleaner:
Rinse with clean water and dry with soft, lint-free cloth.
- Vinegar for hard water spots

CONTROL PANEL

To avoid damage to the control panel, do not use abrasive cleaners, steel-wool pads, gritty washcloths or some paper towels.

Make sure dial is pushed into its flush position.

- Glass cleaner and soft cloth or sponge: Apply glass cleaner to soft cloth or sponge, not directly onto panel.

TURNTABLE

Replace turntable immediately after cleaning. Do not operate the microwave oven without the turntable in place.

- Mild cleanser and scouring pad
- Dishwasher

TROUBLESHOOTING

Try the solutions suggested here first in order to avoid the cost of an unnecessary service call.

Nothing will operate

- **Has a household fuse blown, or has a circuit breaker tripped?**
Replace the fuse or reset the circuit breaker. If the problem continues, call an electrician.
- **Is the microwave oven wired properly?**
See Installation Instructions provided with your microwave oven.
- **Does the household power supply come from an inverter?**
The power source for this microwave oven is also an inverter, and the two are incompatible.

Microwave oven will not operate

- **Is the magnetron working properly?**
Try to heat 1 cup (250 mL) of cold water for 2 minutes at 100% cooking power. If water does not heat, try the steps below. If microwave oven still does not operate, call for service. See “Assistance or Service” section.
- **Is the door completely closed?**
Firmly close door.
- **Is a packaging spacer (on some models) attached to the inside of the door?**
Remove packaging spacer, then firmly close door.
- **Is the electronic microwave oven control set correctly?**
See “Microwave Oven Control” section.
- **On some models, is the Control Lock set?**
See “Control Lock” section.
- **Does “DOOR” appear in the display?**
Open and close the microwave oven door, and then touch START. See “Start” section.

Microwave oven makes humming noise

- This is normal and occurs when the power supply switches the magnetron on and off.

Microwave oven door looks wavy

- This is normal and will not affect performance.

Turntable will not operate

- **Is the turntable properly in place?**
Make sure turntable is correct side up and is sitting securely on the turntable support. See “Turntable” section.
- **Is the turntable support operating properly?**
Remove turntable. Remove and clean turntable hub, support and rollers. Replace hub, support and turntable. Place 1 cup (250 mL) of water on the turntable, then restart the microwave oven. If it still is not working, call for service. See “Assistance or Service” section. Do not operate the microwave oven without turntable and turntable support working properly.

Turntable alternates rotation directions

- This is normal and depends on motor rotation at beginning of cycle.

Display shows messages

- **Is the display showing “:”?**
There has been a power failure, or the clock time has been turned off. See “Clock” section to reset clock.

Fan running slower than usual

- **Has the microwave oven been stored in a cold area?**
The fan will run slower until the microwave oven warms up to normal room temperature.

Cooking times seem too long

- **Is the cooking power set properly?**
See “Microwave Cooking Power” section.
- **Are large amounts of food being heated?**
Larger amounts of food need longer cooking times.
- **Is the incoming voltage less than that specified in “Built-In Microwave Oven Safety?”**
Have a qualified electrician check the electrical system in the home.

Radio, TV or cordless phone interference

- **Is the radio or TV receiver near the microwave oven?**
Move the receiver away from the microwave oven, or adjust the radio or TV antenna.
- **Are the microwave oven door and sealing surfaces clean?**
Make sure these areas are clean.
- **Is the cordless phone frequency 2.4 GHz?**
Some 2.4 GHz-based cordless phones and home wireless networks may experience static or noise while the microwave oven is on. Use a corded phone, a different frequency cordless phone, or avoid using these items during microwave oven operation.

ASSISTANCE OR SERVICE

Before calling for assistance or service, please check "Troubleshooting." It may save you the cost of a service call. If you still need help, follow the instructions below.

When calling, please know the purchase date and the complete model and serial number of your appliance. This information will help us to better respond to your request.

If you need replacement parts

If you need to order replacement parts, we recommend that you use only factory specified parts. Factory specified parts will fit right and work right because they are made with the same precision used to build every new IKEA® appliance.

To locate factory specified parts in your area, call us or your nearest designated service center.

In the U.S.A.

Call the Whirlpool Customer eXperience Center toll free: **1-866-664-2449**.

Our consultants provide assistance with:

- Features and specifications on our full line of appliances.
- Installation information.
- Use and maintenance procedures.
- Accessory and repair parts sales.
- Specialized customer assistance (Spanish speaking, hearing impaired, limited vision, etc.).
- Referrals to local dealers, repair parts distributors, and service companies. Whirlpool designated service technicians are trained to fulfill the product warranty and provide after-warranty service, anywhere in the United States.

To locate the Whirlpool designated service company in your area, you can also look in your telephone directory Yellow Pages.

For further assistance

If you need further assistance, you can write to Whirlpool Corporation with any questions or concerns at:

IKEA Brand Home Appliances
Customer eXperience Center
553 Benson Road
Benton Harbor, MI 49022-2692

Please include a daytime phone number in your correspondence.

In Canada

Call the Whirlpool Canada LP Customer eXperience Centre toll free: **1-866-664-2449**.

Our consultants provide assistance with:

- Features and specifications on our full line of appliances.
- Use and maintenance procedures.
- Accessory and repair parts sales.
- Referrals to local dealers, repair parts distributors, and service companies. Whirlpool Canada LP designated service technicians are trained to fulfill the product warranty and provide after-warranty service, anywhere in Canada.

For further assistance

If you need further assistance, you can write to Whirlpool Canada LP with any questions or concerns at:

Customer eXperience Centre
Whirlpool Canada LP
1901 Minnesota Court
Mississauga, Ontario L5N 3A7

Please include a daytime phone number in your correspondence.

Replacement Parts

Turntable
Part Number 8205676

Turntable Hub
Part Number 8205539

Turntable Support and Rollers
Part Number 8205538

Cleaning Supplies

Heavy Duty Degreaser
Part Number 31552

Stainless Steel Cleaner and
Polish
Part Number 31462

All-Purpose Appliance Cleaner
Part Number 31682

IKEA MAJOR APPLIANCE WARRANTY

How long is the IKEA limited warranty valid?

This limited warranty is valid for five years from the date of purchase, when this major appliance is operated and maintained according to instructions attached to or furnished with the product, unless the appliance is named LAGAN in which case this limited warranty is valid for one year from the date of purchase. This limited warranty is valid only in the United States or Canada and applies only when the major appliance is used in the country in which it was purchased. Proof of original purchase date is required to obtain service under this limited warranty.

Which appliances are not covered by the IKEA five (5) year limited warranty?

For major appliances named "LAGAN," this limited warranty is valid for one year from the date of purchase.

Who will execute the service?

This limited warranty is provided by Whirlpool Corporation or Whirlpool Canada LP (hereafter "Whirlpool"). Service must be provided by a Whirlpool designated service company.

What does this limited warranty cover?

The limited warranty will pay for factory specified parts and repair labor to correct defects in materials or workmanship that existed when the major appliance was purchased. The exceptions are specified under the headline "What is not covered under this limited warranty?".

What will be done to correct the problem?

The designated service company will examine the product and decide, at its sole discretion, if it is covered under this limited warranty. If considered covered, the designated service company will then repair the defect. Your sole and exclusive remedy under this limited warranty shall be product repair as provided herein.

What is not covered under this limited warranty?

- Service calls to correct the installation of your major appliance, to instruct you on how to use your major appliance, to replace or repair house fuses, or to correct house wiring or plumbing.
- Service calls to repair or replace appliance light bulbs, air filters or water filters. Consumable parts are excluded from warranty coverage.
- Replacement parts or repair labor if this major appliance is used for other than normal, single-family household use or when it is used in a manner that is inconsistent to published user or operator instructions and/or installation instructions.
- Damage resulting from accident, alteration, misuse, abuse, fire, flood, acts of God, improper installation, installation not in accordance with electrical or plumbing codes, or use of consumables or cleaning products not approved for use.
- Cosmetic damage, including scratches, dents, chips or other damage to the finish of your major appliance, unless such damage results from defects in materials or workmanship and is reported within 30 days from the date of purchase.
- Any food loss or medicine loss due to refrigerator or freezer product failures.
- Pick up and delivery. This major appliance is intended to be repaired in your home.
- Repairs to parts or systems resulting from unauthorized modifications made to the appliance.
- Expenses for travel and transportation for product service if your major appliance is located in a remote area where service by an authorized servicer is not available.
- The removal and reinstallation of your major appliance if it is installed in an inaccessible location or is not installed in accordance with published installation instructions.
- Replacement parts or repair labor on major appliances with original model/serial numbers that have been removed, altered or cannot be easily determined.

The cost of repair or replacement under these excluded circumstances shall be borne by the customer.

Disclaimer of Implied Warranties

IMPLIED WARRANTIES, INCLUDING ANY IMPLIED WARRANTY OF MERCHANTABILITY OR IMPLIED WARRANTY OF FITNESS FOR A PARTICULAR PURPOSE, ARE LIMITED TO FIVE YEARS (ONE YEAR FOR MAJOR APPLIANCES NAMED "LAGAN") OR THE SHORTEST PERIOD ALLOWED BY LAW. Some states and provinces do not allow limitations on the duration of implied warranties of merchantability or fitness, so this limitation may not apply to you. This warranty gives you specific legal rights, and you also may have other rights that vary from state to state or province to province.

Limitation of Remedies; Exclusion of Incidental and Consequential Damages

YOUR SOLE AND EXCLUSIVE REMEDY UNDER THIS LIMITED WARRANTY SHALL BE PRODUCT REPAIR AS PROVIDED HEREIN. WHIRLPOOL SHALL NOT BE LIABLE FOR INCIDENTAL OR CONSEQUENTIAL DAMAGES. Some states and provinces do not allow the exclusion or limitation of incidental or consequential damages, so these limitations and exclusions may not apply to you. This warranty gives you specific legal rights, and you also may have other rights that vary from state to state or province to province.

How to reach us if you need our service

If outside the 50 United States and Canada, contact your authorized IKEA retailer to determine if another warranty applies.

If you need service, please read the Installation Instructions and/or the "Troubleshooting" section of the Use & Care Guide before contacting us. If you need additional help, do not hesitate to contact us in the U.S.A. and Canada at **1-866-664-2449**.

2/09

Keep this book and your sales slip together for future reference. You must provide proof of purchase or installation date for in-warranty service.

Write down the following information about your major appliance to better help you obtain assistance or service if you ever need it. You will need to know your complete model number and serial number. You can find this information on the model and serial number label located on the product.

Dealer name _____

Address _____

Phone number _____

Model number _____

Serial number _____

Purchase date _____

SÉCURITÉ DU FOUR À MICRO-ONDES ENCASTRÉ

Votre sécurité et celle des autres est très importante.

Nous donnons de nombreux messages de sécurité importants dans ce manuel et sur votre appareil ménager. Assurez-vous de toujours lire tous les messages de sécurité et de vous y conformer.



Voici le symbole d'alerte de sécurité.

Ce symbole d'alerte de sécurité vous signale les dangers potentiels de décès et de blessures graves à vous et à d'autres.

Tous les messages de sécurité suivront le symbole d'alerte de sécurité et le mot "DANGER" ou "AVERTISSEMENT". Ces mots signifient :

⚠ DANGER

Risque possible de décès ou de blessure grave si vous ne suivez pas immédiatement les instructions.

⚠ AVERTISSEMENT

Risque possible de décès ou de blessure grave si vous ne suivez pas les instructions.

Tous les messages de sécurité vous diront quel est le danger potentiel et vous disent comment réduire le risque de blessure et ce qui peut se produire en cas de non-respect des instructions.

IMPORTANTES INSTRUCTIONS DE SÉCURITÉ

Lors de l'utilisation de tout appareil ménager électrique on doit observer certaines précautions de sécurité fondamentales, dont les suivantes :

AVERTISSEMENT : Pour réduire le risque de brûlures, de choc électrique, d'incendie, de blessures et l'exposition excessive à l'énergie des micro-ondes :

- Lire la totalité des instructions avant d'utiliser le four à micro-ondes.
- Lire et observer les instructions spécifiques de "PRÉCAUTIONS CONTRE LE RISQUE D'EXPOSITION EXCESSIVE À L'ÉNERGIE DES MICRO-ONDES" dans cette section.
- Le four à micro-ondes doit être relié à la terre. Brancher l'appareil uniquement sur une prise de courant convenablement reliée à la terre. Voir les "INSTRUCTIONS DE LIAISON À LA TERRE" présentées dans cette section et dans les instructions d'installation fournies.
- Installer ou placer le four à micro-ondes uniquement selon les instructions d'installation fournies.
- Certains produits, comme les oeufs entiers dans leur coquille et les récipients fermés – par exemple les bocaux en verre fermés – peuvent exploser et on ne doit pas les faire chauffer dans le four à micro-ondes.
- Utiliser le four à micro-ondes uniquement pour les applications auxquelles il est destiné, telles qu'elles sont décrites dans ce manuel. Ne pas utiliser de vapeurs ou de produits chimiques corrosifs dans le four à micro-ondes. Ce type de four est spécifiquement conçu pour chauffer, cuire ou sécher des aliments. Il n'est pas conçu pour des applications industrielles ou de laboratoire.
- Comme pour tout appareil ménager, les enfants ne devraient utiliser ce four que sous une supervision adéquate.
- Ne pas faire fonctionner le four à micro-ondes si le cordon d'alimentation ou la fiche de branchement est endommagé, s'il ne fonctionne pas correctement, s'il a subi des dommages ou s'il est tombé.
- Tous les travaux de service doivent être exécutés exclusivement par un personnel d'entretien qualifié. Contacter un centre de service autorisé pour les opérations d'inspection, de réparation ou de réglage.
- Voir les instructions de nettoyage de la surface de la porte à la section "Entretien du four à micro-ondes".
- Pour réduire le risque d'incendie dans la cavité du four :
 - Ne pas faire cuire les aliments excessivement. Surveiller attentivement le four à micro-ondes après y avoir placé des produits en papier, en plastique ou autres matériaux combustibles pour faciliter la cuisson des aliments.
 - Enlever les attaches métalliques des sachets en papier ou en plastique avant de placer de tels sachets dans le four.
 - En cas d'inflammation de matériaux placés à l'intérieur du four, maintenir la porte du four fermée, arrêter le four, débrancher le four, ou interrompre l'alimentation électrique au niveau du tableau de distribution (fusible ou disjoncteur).
 - Ne pas utiliser la cavité du four comme espace de rangement. Ne pas laisser dans le four des produits en papier, ustensiles de cuisine ou produits alimentaires, lorsqu'il n'est pas utilisé.
- Les aliments trop volumineux ou des ustensiles en métal de grande taille ne doivent pas être insérés dans le four à micro-ondes car ils peuvent créer un incendie ou un risque de choc électrique.

CONSERVEZ CES INSTRUCTIONS

IMPORTANTES INSTRUCTIONS DE SÉCURITÉ

- Les liquides tels que l'eau, le café ou le thé peuvent trop chauffer – au-delà du point d'ébullition – sans sembler bouillir. Il n'y a pas toujours des bulles ou une ébullition lorsqu'on retire le récipient du four à micro-ondes. **A CAUSE DE CECI, DES LIQUIDES TRÈS CHAUDS POURRAIENT DÉBORDER LORSQU'ON BOUGE LE RÉCIPIENT OU QUE L'ON UTILISE UNE CUILLÈRE OU UN AUTRE USTENSILE POUR LE REMUER.**

Pour réduire le risque de blessures corporelles :

 - Ne pas trop faire chauffer le liquide.
 - Remuer le liquide avant et pendant le chauffage.
 - Ne pas utiliser de récipients à parois droites avec des ouvertures étroites.
 - Une fois chaud, laisser le récipient dans le four à micro-ondes un moment avant de le retirer.
 - Faire très attention lorsqu'on utilise une cuillère ou un autre ustensile dans le récipient.
- Ne pas nettoyer avec des tampons métalliques à récurer. Des pièces peuvent se détacher du tampon en brûlant et venir en contact avec des pièces électriques qui pourraient causer un risque de choc électrique.
- Ne pas utiliser de produits en papier lorsque l'on fait fonctionner l'appareil au mode de convection, en combiné, ou mode de gril ou "PAN BROWN" (brunissage à la poêle) (sur les modèles équipés de ces caractéristiques).
- Ne pas remiser des matériaux autres que les accessoires recommandés par le fabricant dans ce four lorsqu'il n'est pas utilisé.
- Veiller à ne rien remiser directement sur le four lorsqu'il est en service.
- Ne pas couvrir ni obstruer toute ouverture sur le four à micro-ondes.
- Ne pas remiser ce four à micro-ondes à l'extérieur. Ne pas utiliser le four à micro-ondes à proximité d'eau - par exemple, près d'un évier de cuisine, dans un sous-sol humide ou près d'une piscine ou à un emplacement similaire.
- Ne pas immerger le cordon ou la fiche de branchement dans l'eau.
- Garder le cordon d'alimentation loin des surfaces chauffées.
- Ne pas laisser le cordon d'alimentation pendre sur le bord d'une table ou d'un comptoir.
- Ne pas faire le montage au-dessus d'un évier.
- Ne pas couvrir les grilles ou autre partie du four avec du papier métallique. Cette action causera un surchauffage du four.

CONSERVEZ CES INSTRUCTIONS

PRÉCAUTIONS CONTRE LE RISQUE D'EXPOSITION EXCESSIVE À L'ÉNERGIE DES MICRO-ONDES

- (a) Ne pas tenter de faire fonctionner ce four lorsque la porte est ouverte, car ceci pourrait susciter une exposition dangereuse à l'énergie des micro-ondes. Il est important de ne pas entraver le fonctionnement correct du dispositif de verrouillage de sécurité.
- (b) Ne pas placer d'objet entre la surface avant du four et la porte, et ne jamais laisser des souillures ou résidus de produits de nettoyage s'accumuler sur les surfaces d'étanchéité.
- (c) Ne pas faire fonctionner le four lorsqu'il est endommagé. Il est particulièrement important que la porte du four ferme convenablement et que les composants suivants ne soient pas endommagés :
 - (1) Porte (déformation),
 - (2) Charnières et dispositif de verrouillage (brisés ou desserrés),
 - (3) Joints de porte et surfaces d'étanchéité.
- (d) Seul un personnel d'entretien qualifié est habilité à exécuter des réparations ou réglages sur cet appareil.

⚠️ AVERTISSEMENT



Risque de choc électrique

- Brancher sur une prise à 3 alvéoles reliée à la terre.
- Ne pas enlever la broche de liaison à la terre.
- Ne pas utiliser un adaptateur.
- Ne pas utiliser un câble de rallonge.
- Le non-respect de ces instructions peut causer un décès, un incendie ou un choc électrique.

Observer les dispositions de tous les codes et règlements en vigueur.

Nécessaire :

- Une alimentation électrique de 120 volts, 60 Hz, CA seulement, 15 ou 20 ampères, protégée par un fusible ou un disjoncteur.

Recommandé :

- Un fusible temporisé ou un disjoncteur temporisé.
- Un circuit distinct exclusif à ce four à micro-ondes.

INSTRUCTIONS DE LIAISON À LA TERRE

■ Pour tout appareil ménager connecté par un cordon de courant électrique :

Il faut que le four à micro-ondes soit relié à la terre. En cas de court-circuit électrique, la liaison à la terre réduit le risque de choc électrique car le courant électrique dispose d'un itinéraire direct d'acheminement à la terre. Le four à micro-ondes est doté d'un cordon de courant électrique qui comporte un fil de liaison à la terre, avec broche de liaison à la terre. On doit brancher la fiche sur une prise de courant convenablement installée et reliée à la terre.

AVERTISSEMENT : L'utilisation incorrecte du dispositif de liaison à la terre peut susciter un risque de choc électrique. L'utilisateur qui ne comprend pas bien les instructions de liaison à la terre, ou qui n'est pas certain que le four à micro-ondes soit convenablement relié à la terre, devrait consulter un électricien qualifié.

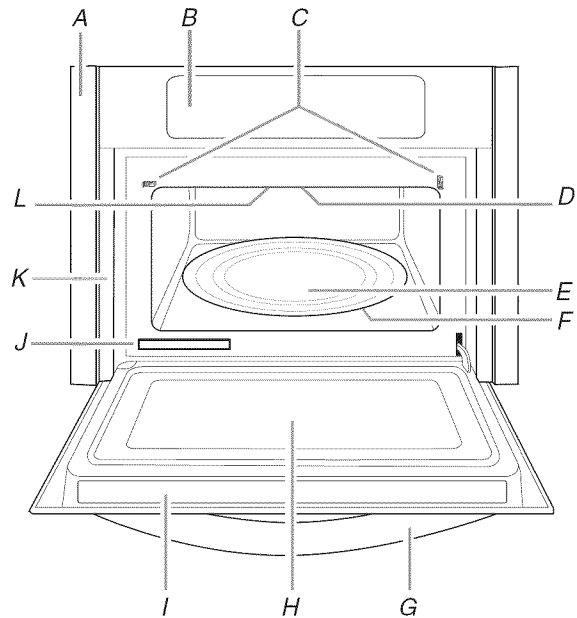
Ne pas utiliser un câble de rallonge. Si le cordon de courant électrique est trop court, demander à un électricien qualifié d'installer une prise de courant à proximité du four à micro-ondes.

CONSERVEZ CES INSTRUCTIONS

Ce dispositif est conforme à la section 18 des règlements FCC.

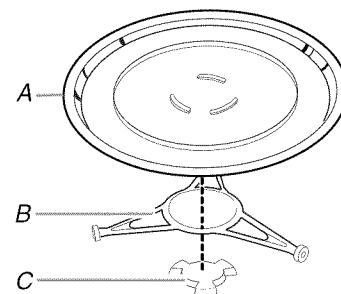
PIÈCES ET CARACTÉRISTIQUES

Ce manuel peut couvrir différents modèles. Le modèle que vous avez acheté peut avoir certaines ou toutes les caractéristiques énumérées. L'apparence des caractéristiques illustrées ici peut ne pas correspondre exactement à celle de votre modèle.



- | | |
|---|--|
| A. Garniture | G. Poignée de la porte |
| B. Tableau de commande | H. Hublot |
| C. Système de verrouillage de la porte | I. Étiquette du guide de cuisson |
| D. Lampe du four à micro-ondes (inaccessible - dans le plafond) | J. Plaque signalétique des numéros de modèle et de série |
| E. Plateau rotatif en verre | K. Cadre |
| F. Support, roulettes et axe du plateau rotatif | L. Couvercle - orifice d'introduction des micro-ondes |

Plateau rotatif

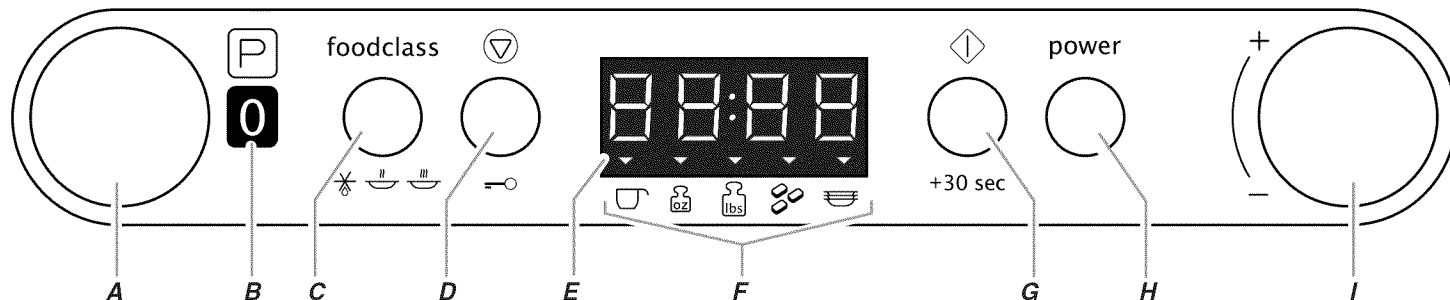


- A. Plateau rotatif
- B. Support
- C. Axe

Le plateau rotatif tourne dans les deux sens pour permettre une cuisson plus uniforme. Pour les meilleurs résultats de cuisson, ne pas faire fonctionner le four à micro-ondes sans que le plateau rotatif ne soit en place. Voir "Assistance ou service" pour passer une nouvelle commande de pièces.

Installation : Placer le plateau rotatif sur le support. Insérer les protubérances arrondies au centre du dessous du plateau rotatif entre les trois rayons de l'axe. Les roulettes sur le support devraient se loger à l'intérieur du pourtour cranté du dessous du plateau rotatif.

TABLEAU DE COMMANDE DU FOUR À MICRO-ONDES



- A. Bouton rotatif Programme (enfoncer puis relâcher pour le faire ressortir)
 B. Affichage de l'indicateur de programme (à la position "Arrêt")
 C. Sélecteur de type d'aliment
 D. Commande Arrêt/verrouillage des commandes
 E. Affichage
 F. Indicateurs de quantité
 G. Commande Mise en marche/ajouter 30 secondes
 H. Commande de puissance
 I. Bouton rotatif Réglages (enfoncer et relâcher pour le faire ressortir)

Indicateurs et icônes

Le four à micro-ondes présente plusieurs témoins graphiques de programmes et d'aliments par catégories, qui apparaîtront sur l'affichage des témoins de programme lors de la programmation. Le tableau de commande lui-même présente des icônes graphiques qui indiquent les quantités représentées sur l'affichage lors de la programmation. Il y a également des icônes graphiques sur le tableau de commande qui indiquent les fonctions de diverses commandes. Voir le tableau ci-dessous.

INDICATEURS DE PROGRAMME	INDICATEURS DE FOOD CLASS (TYPE D'ALIMENT)	INDICATEURS DE QUANTITÉ
Arrêt	Fc Food class (Type d'aliment)	Tasses
Cuisson manuelle	Produits de boulangerie Fc1	Oz
Décongélation	Boisson Fc2	Lb
Réchauffage	Mets en sauce Fc3	Morceaux
Cuisson pré réglée	Pizza Fc4	Portions
Assiettée	Sauce Fc5	ICÔNES DU TABLEAU DE COMMANDE
Pomme de terre au four	Soupe Fc6	Programme
Maïs éclaté	Légumes en conserve Fc1	Arrêt
Réglage de l'horloge	Céréales Fc2	Verrouillage des commandes
	Poulet Fc3	Mise en marche
	Légumes frais Fc4	
	Plat surgelé Fc5	
	Légumes surgelés Fc6	
	Riz Fc7	
	Pain Fc1	
	Poisson, Fruits de mer Fc2	
	Viande Fc3	
	Volaille Fc4	

REMARQUE : Lorsque le bouton de commande des programmes est à la position "Off" (arrêt), la commande ne réagira à aucune manipulation.

Affichage

Lors de la mise sous tension initiale du four à micro-ondes, “:” apparaît sur l’afficheur.

Lors de l’utilisation du four à micro-ondes, la puissance de cuisson, les quantités, les poids et/ou messages s’affichent. Lorsque le four à micro-ondes n’est pas utilisé, l’afficheur indique l’heure.

Mise en marche

La commande Mise en marche met en marche toute fonction du four. Si la cuisson est interrompue, il suffit d’appuyer sur la commande Mise en marche pour reprendre le programme pré-réglé.

REMARQUE : Pour éviter un fonctionnement inopiné du four à micro-ondes, une fonction de cuisson ne peut être mise en marche si la porte du four a été fermée pendant 5 minutes ou plus. “DOOR” (porte) apparaît sur l’afficheur jusqu’à ce que la porte soit ouverte et refermée.

Arrêt

La commande Arrêt efface toute commande incorrecte et annule la plupart des fonctions. Ce bouton n’efface pas l’heure tant que l’affichage n’est pas en mode de réglage de l’horloge. Voir la section “Horloge”.

Le four à micro-ondes s’arrête également lorsqu’on ouvre la porte. Fermer la porte et appuyer sur la commande Mise en marche pour reprendre le programme.

Ajouter 30 secondes

Avec le bouton rotatif de Programme placé sur Manual, la commande + 30 SEC (ajouter 30 secondes) démarre automatiquement le four à micro-ondes à la puissance maximale pendant 30 secondes. À chaque fois qu’on appuie sur la touche, on prolonge la durée de cuisson de 30 secondes.

On peut augmenter la durée d’un programme de cuisson manuelle au niveau de puissance en cours en appuyant sur + 30 SEC.

REMARQUE : Pour éviter un fonctionnement inopiné du four à micro-ondes, une fonction de cuisson ne peut être mise en marche si la porte du four a été fermée pendant 5 minutes ou plus. “DOOR” apparaît sur l’afficheur jusqu’à ce que la porte soit ouverte ou fermée.

Bouton rotatif Programme

Utiliser le bouton rotatif Programme pour entrer les modes de programmation ou pour régler le mode de veille.

Enfoncer puis relâcher pour faire ressortir le bouton. Tourner le bouton rotatif pour sélectionner les programmes.

Les témoins de programme apparaîtront sur l’affichage de témoins de programme.

Bouton rotatif Réglages

Utiliser le bouton rotatif Réglages pour sélectionner les options, régler l’horloge, régler la durée de cuisson et la puissance de cuisson, sélectionner le type d’aliment et la quantité/le poids et ajuster le degré de cuisson.

Enfoncer puis relâcher pour faire ressortir le bouton.

Horloge

Il s’agit d’une horloge classique de 12 heures (12:00 -11:59).

Réglage :

1. Tourner le bouton rotatif Programme au programme de réglage de l’horloge.
2. Tourner le bouton rotatif Réglages pour régler l’heure.
3. Appuyer sur Mise en marche.
4. Tourner le bouton rotatif Réglages pour régler les minutes.
5. Appuyer sur Mise en marche pour terminer le réglage.
6. Ramener le bouton rotatif Programme à Arrêt.

Annulation de l’horloge :

1. Tourner le bouton rotatif Programme à Réglage de l’horloge.
 2. Appuyer sur la commande Arrêt.
L’horloge disparaît.
 3. Ramener le bouton rotatif Programme à Arrêt.
-

Signaux sonores

Les signaux sonores ne peuvent être désactivés; leur volume ne peut être modifié. Ces signaux indiquent les actions suivantes :

Un signal sonore

- Signaux de rappel émis à intervalles de 1 minute après le signal sonore de fin de programme

Deux signaux sonores

- Entrée ou sortie d’une caractéristique dissimulée

Trois signaux sonores

- Fin de programme
 - Entrée invalide
-

Verrouillage des commandes

Le verrouillage des commandes désactive les touches du tableau de commande pour éviter l’utilisation involontaire du four à micro-ondes.

Lorsque le panneau de commande est verrouillé, aucune des commandes ne fonctionne. Si on appuie sur une commande, “LOC” (verrouillé) apparaît sur l’afficheur et des signaux sonores d’entrée non valide retentissent.

Pour verrouiller/déverrouiller les commandes : Avant le verrouillage, s’assurer que le four à micro-ondes est éteint. Appuyer sur STOP (arrêt) pendant 3 secondes jusqu’à l’émission de signaux sonores. Répéter pour déverrouiller les commandes.

Ventilateur de refroidissement

Selon la longueur du programme de cuisson, le ventilateur de refroidissement peut continuer de fonctionner après la fin du programme. Ceci est normal et permet d’éliminer l’humidité qui peut s’accumuler à l’intérieur du four à micro-ondes avant que la porte ne soit ouverte.

Pendant le fonctionnement du ventilateur, “COOL” (refroidissement) apparaît sur l’afficheur. Le ventilateur s’éteint automatiquement.

UTILISATION DU FOUR À MICRO-ONDES

Un magnétron dans le four à micro-ondes produit des micro-ondes qui rebondissent de la base, des parois et de la voûte en métal et qui passent à travers le plateau rotatif et les ustensiles de cuisson appropriés pour atteindre l'aliment. Les micro-ondes sont attirées et absorbées par le gras, le sucre et les molécules d'eau dans les aliments et font déplacer ces molécules, en produisant une friction et une chaleur qui fait cuire les aliments.

- Pour éviter d'endommager le four à micro-ondes, ne pas s'appuyer ou laisser les enfants se balancer sur la porte du four à micro-ondes.
- Pour éviter d'endommager le four à micro-ondes, ne pas faire fonctionner le four à micro-ondes à vide.
- Les biberons et les petits pots d'aliments pour bébés ne doivent pas être chauffés dans le four à micro-ondes.
- Les vêtements, fleurs, fruits, herbes, gourdes, le bois, le papier - y compris les sacs en papier brun et les journaux - ne doivent pas être séchés dans le four à micro-ondes.
- La paraffine ne fondra pas dans le four à micro-ondes car elle n'absorbe pas les micro-ondes.
- Utiliser des mitaines de four ou des maniques lors de l'enlèvement de contenants du four à micro-ondes.
- Ne pas faire cuire les pommes de terre excessivement. À la fin de la durée de cuisson recommandée, les pommes de terre devraient être légèrement fermes. Laisser les pommes de terre reposer pendant 5 minutes. Elles achèveront de cuire pendant cette période.
- Ne pas faire cuire ou réchauffer des œufs entiers avec leur coquille. La vapeur accumulée dans les œufs entiers pourrait les faire éclater, ce que exigerait le nettoyage significatif de la cavité du four à micro-ondes. Recouvrir les œufs pochés et les laisser reposer.

Caractéristiques des aliments

Lors de la cuisson au four à micro-ondes, la quantité, la taille, la forme, la température de début, la composition et la densité de l'aliment affectent les résultats de cuisson.

Quantité d'aliments

La quantité d'aliments chauffés influencera la durée de cuisson. Vérifier le degré de cuisson et prolonger légèrement la durée si nécessaire.

Taille et forme

Des morceaux plus petits d'aliments cuiront plus vite que les gros morceaux, et les aliments uniformes cuiront plus également que les aliments de forme irrégulière.

Température de début

Les aliments à température ambiante chaufferont plus vite que les aliments réfrigérés, et les aliments réfrigérés chaufferont plus vite que les aliments congelés.

Composition et densité

Les aliments à haute teneur en gras et en sucre atteindront une température plus élevée et chaufferont plus vite que les autres. Les aliments lourds et denses, tels que la viande et les pommes de terre, demandent un temps de cuisson plus long qu'un aliment de la même taille, léger et poreux tel que les gâteaux.

Guide de cuisson

Recouvrement

Le recouvrement des aliments aide à retenir l'humidité, réduire le temps de cuisson et réduire les éclaboussures. Utiliser le couvercle fourni avec l'ustensile de cuisson. S'il n'y a pas de couvercle disponible, du papier paraffiné, un essuie-tout ou de la pellicule de plastique approuvée pour les micro-ondes peuvent être utilisés. La pellicule de plastique doit être retournée à un coin pour fournir une ouverture à l'échappement de la vapeur. La condensation sur les surfaces de la porte et de la cavité est normale pendant une cuisson intense.

Remuer et tourner

Remuer et tourner les aliments redistribue la chaleur de manière égale pour éviter la cuisson excessive des bords des aliments. Mélanger de l'extérieur vers le centre. Si possible, retourner les aliments.

Disposition

S'il s'agit d'aliments de forme irrégulière ou de dimensions différentes, les parties plus minces et les morceaux plus petits doivent être disposés près du centre. Si l'on cuit plusieurs aliments de même taille et de même forme, les placer en cercle, en laissant le centre du cercle vide.

Dégagement de la pression

Avant le chauffage, utiliser une fourchette ou un petit couteau pour percer les aliments qui ont une peau ou une membrane, tels que les pommes de terre, jaunes d'œufs, foies de poulet, hot dogs et saucisses. Percer en plusieurs endroits pour laisser échapper la vapeur.

Protection

Utiliser du papier d'aluminium en petits morceaux plats pour protéger les parties minces d'aliments de forme irrégulière, les os, et des aliments tels que les ailes et pilons de poulet et les queues de poisson. Voir en premier "Papier d'aluminium et métal".

Temps de repos

Les aliments continueront à cuire par la conduction naturelle de la chaleur même lorsque le programme de micro-ondes sera terminé. La durée du temps de repos dépend du volume et de la densité de l'aliment.

Ustensiles de cuisson et vaisselle

Les ustensiles de cuisson et la vaisselle doivent pouvoir être placés sur le plateau rotatif. Toujours utiliser des mitaines de four ou des maniques lors de la manipulation parce que tout plat peut devenir chaud à cause de la chaleur transmise par les aliments. Ne pas utiliser des ustensiles de cuisson ou de la vaisselle avec une garniture en or ou en argent. Utiliser le tableau suivant comme guide, ensuite faire un test avant l'utilisation.

MATÉRIAU	RECOMMANDATIONS
Papier d'aluminium, métal	Voir la section "Papier d'aluminium et métal".
Plat brunisseur	La base doit être au moins à 3/16" (5 mm) au-dessus du plateau rotatif. Suivre les recommandations du fabricant.
Vitrocéramique, verre	Peut être utilisé.
Porcelaine, faïence	Suivre les recommandations du fabricant.
Mélatamine	Suivre les recommandations du fabricant.
Papier : essuie-tout, vaisselle, serviettes de table	Utiliser des produits non recyclés et ceux qui sont approuvés par le fabricant pour utilisation au four à micro-ondes.
Plastique : pellicule, sacs, couvercles, vaisselle, contenants	Utiliser des produits approuvés par le fabricant pour utilisation au four à micro-ondes.
Poterie et argile	Suivre les recommandations du fabricant.
Ustensile de cuisson en silicone	Suivre les recommandations du fabricant.
Paille, osier, contenants en bois	Ne pas utiliser au four à micro-ondes.
Papier paraffiné	Peut être utilisé.

Pour tester l'ustensile de cuisson ou la vaisselle pour utilisation au four à micro-ondes :

1. Placer l'ustensile de cuisson ou la vaisselle dans le four à micro-ondes avec 1 tasse (250 mL) d'eau à côté de l'article.
2. Faire cuire à la puissance de cuisson maximale pendant 1 minute.

Ne pas utiliser cet ustensile de cuisson ou cet article de vaisselle s'il devient chaud alors que l'eau demeure froide.

Papier d'aluminium et métal

Toujours utiliser des mitaines de four ou des maniques pour enlever des plats du four à micro-ondes.

Le papier d'aluminium et certains métaux peuvent être utilisés dans le four à micro-ondes. Si ces articles ne sont pas bien utilisés, des arcs (un éclair bleu) peuvent survenir et causer des dommages au four à micro-ondes.

Utilisation possible

Les grilles et les ustensiles de cuisson fournis avec le four à micro-ondes (sur certains modèles), le papier d'aluminium pour protection et les thermomètres à viande approuvés peuvent être utilisés avec les précautions suivantes :

- Pour éviter d'endommager le four à micro-ondes, ne pas laisser le papier d'aluminium ou le métal toucher les parois, le plafond ou le fond de la cavité intérieure.
- Toujours utiliser le plateau rotatif.
- Pour éviter d'endommager le four à micro-ondes, ne pas permettre un contact avec un autre objet en métal durant la cuisson.

Utilisation à éviter

Les ustensiles de cuisson et de cuisson au four en métal, l'or, l'argent, l'étain, les thermomètres à viande non approuvés, les brochettes, les attaches, les doublures de papier d'aluminium telles que les enveloppes à sandwich, les agrafes et objets avec garniture en or ou en argent ou avec un enduit métallique ne doivent pas être utilisés dans le four à micro-ondes.

Puissance de cuisson des micro-ondes

De nombreuses recettes de four à micro-ondes précisent quelle puissance de cuisson doit être utilisée en indiquant le pourcentage, le nom ou le chiffre. Par exemple, 70 %=Moyen-Élevé.

Utiliser le tableau suivant comme guide général pour la puissance de chauffage suggérée pour des aliments spécifiques.

POURCENTAGE/NOM	UTILISATION
100 %, Élevé (réglage par défaut)	Chauffage rapide d'aliments minute et aliments avec haute teneur en eau, tels que soupes, boissons et la plupart des légumes.
90 %	Cuisson de petits morceaux tendres de viande, viande hachée et morceaux de volaille. Chauffage de soupes en crème.
80 %	Chauffage de riz, pâtes ou mets en sauce remuables. Cuisson et chauffage d'aliments qui ont besoin d'une puissance de chauffage inférieure à la puissance élevée, tels que le pain de viande.
70 %, Moyen-élevé	Réchauffage d'une seule portion d'aliments. Cuisson des filets de poissons.
60 %	Cuisson d'aliments sensibles tels que le fromage et les mets à base d'œufs, pudding et crèmes anglaises. Cuisson de mets en sauce non remuables tels que les lasagnes.
50 %, Moyen	Cuisson de jambon, volaille entière et de morceaux de viande à braiser. Mijotage de ragoûts.
40 %	Chauffage du pain, des petits pains et pâtisseries.
30 %, Moyen-faible, Décongélation	Pour faire fondre le chocolat, le beurre et les guimauves.
20 %	Décongélation de pain, poisson, viandes, volaille et aliments précuits. Amollir la crème glacée, le beurre et le fromage.
10 %, Faible	Mettre les fruits à température ambiante.

Cuisson manuelle

La durée de cuisson peut être réglée en fonction des incréments suivants, en minutes et secondes :

INCRÉMENT	RÉGLAGE DE LA DURÉE
0:05	0:05-1:00
0:15	1:15-3:00
0:30	3:30-6:00
1:00	7:00-30:00
5:00	35:00-90:00

Utilisation :

1. Placer les aliments sur le plateau rotatif et fermer la porte.
2. Tourner le bouton rotatif Programme à Manuelle.
Tourner le bouton rotatif Réglages pour régler la durée de cuisson. Voir le tableau pour les incréments de durée.
En cas de cuisson à la puissance maximale, passer à l'étape 4.
3. Appuyer sur le bouton POWER (puissance).
L'affichage présente la puissance maximale par défaut.
Tourner le bouton rotatif Réglages pour régler la puissance de cuisson.
4. Appuyer sur Mise en marche.
Le compte à rebours de la durée de cuisson s'affiche.
À la fin du programme, "END" (fin) apparaît sur l'afficheur, et les signaux de fin de programme sont émis, suivis de signaux de rappel.
5. Appuyer sur Arrêt pour effacer l'affichage et/ou arrêter les signaux de rappel.
6. Ramener le bouton rotatif Programme à Arrêt.

Degré de cuisson

Pour la plupart des fonctions de cuisson automatique, le degré de cuisson d'aliments particuliers peut être réglé en tournant le bouton rotatif Réglages. Augmenter ou diminuer le degré de cuisson augmente ou réduit la durée du programme de cuisson.

Dans les 20 secondes suivant le début de cuisson, tourner le bouton rotatif Réglages permet de modifier le degré de cuisson. Il existe 5 réglages : par défaut, "Hi 1", "Hi 2", "L 1" et "L 2". L'afficheur présente "----" à titre de réglage par défaut.

Le degré de cuisson ne peut être modifié pour les fonctions de décongélation ou pour la fonction de maïs à éclater.

Le degré de cuisson ne peut être diminué pour la cuisson des poitrines de poulet sans os.

Cuisson

Les durées et puissances de cuisson ont été pré-réglées pour certains aliments qui vont au micro-ondes. Utiliser le tableau suivant comme guide.

ALIMENTS	N°	QUANTITÉ/INSTRUCTIONS
Légumes en conserve	1	1 à 4 tasses (250 mL à 1L)/ Placer dans un contenant pour micro-ondes. Recouvrir d'une pellicule de plastique et laisser une ouverture d'échappement de l'air. Remuer et laisser reposer pendant 2 à 3 minutes après la cuisson.
Céréales	2	1 à 4 portions/ Utiliser des céréales instantanées. Suivre les indications sur l'emballage. Utiliser des bols à bords élevés qui vont au micro-ondes.
Poitrines de poulet sans os	3	1 à 4 morceaux, 6 oz (170 g) chacun/ Placer dans un contenant pour micro-ondes. Ajouter 2 c. à soupe (30 mL) d'eau. Recouvrir d'une pellicule de plastique et laisser une ouverture d'échappement de l'air. Laisser reposer dans le four à micro-ondes pendant 3 minutes après la cuisson.
Légumes frais	4	1 à 4 tasses (250 mL à 1L)/ Placer dans un contenant pour micro-ondes. Ajouter 2 à 4 c. à soupe (30 à 60 mL) d'eau. Recouvrir d'une pellicule de plastique et laisser une ouverture d'échappement de l'air. Laisser reposer dans le four à micro-ondes pendant 2 à 3 minutes après la cuisson.
Plat surgelé	5	10 ou 20 oz (283 ou 567 g)/ Le sortir de l'emballage. Dégager l'opercule sur trois côtés. Si le plat ne se trouve pas dans un contenant pour micro-ondes, le placer sur une assiette, le couvrir d'une pellicule de plastique et laisser une ouverture d'échappement de l'air.
Légumes surgelés	6	1 à 4 tasses (250 mL à 1L)/ Les sortir de l'emballage. Placer dans un contenant pour micro-ondes. Recouvrir d'une pellicule de plastique et laisser une ouverture d'échappement de l'air. Remuer et laisser reposer pendant 2 à 3 minutes après la cuisson.
Riz	7	0,5 à 2,0 tasses (125 à 500 mL) de riz sec (Utiliser du riz à moyen ou long grain.)/ Suivre les mesures figurant sur l'emballage pour les quantités. Mettre le riz et le liquide dans un plat allant au micro-ondes. Couvrir avec un couvercle non hermétique. Laisser reposer 5 minutes après la cuisson, ou jusqu'à absorption du liquide. Remuer.

Utilisation de la fonction Cuisson :

1. Placer les aliments sur le plateau rotatif.
2. Tourner le bouton rotatif Programme à Cuisson.
3. Appuyer sur la commande FOOD CLASS (type d'aliment).
L'afficheur présente "Fc1" pour le premier type d'aliment.
Appuyer de façon répétée sur FOOD CLASS jusqu'à ce que le type d'aliment souhaité s'affiche. Voir le tableau.
4. Tourner le bouton rotatif Réglages à la quantité ou au poids désiré.

5. Appuyer sur Mise en marche.
Le degré de cuisson peut être réglé dans les 20 secondes après appuyé Mise en marche en tournant le bouton rotatif Réglages.
Le compte à rebours de la durée de cuisson s'affiche.
À la fin du programme, "END" (fin) apparaît sur l'afficheur, et les signaux de fin de programme sont émis, suivis de signaux de rappel.
6. Appuyer sur Arrêt ou ouvrir la porte pour effacer l'affichage et/ou arrêter les signaux de rappel.
7. Ramener le bouton rotatif Programme à Arrêt.

Réchauffage

Les durées et puissances de cuisson ont été préréglées pour le réchauffage de types d'aliment précis. Utiliser le tableau suivant comme guide.

ALIMENTS	N°	QUANTITÉ/INSTRUCTIONS
Produits de boulangerie	1	1 à 6 morceaux, 2 oz (57 g) chacun*/ Placer sur un essuie-tout.
Boisson	2	1 ou 2 tasses, 8 oz (250 mL) chacune/ Ne pas couvrir. Le diamètre de l'ouverture de la tasse affectera le mode de chauffage du liquide. Les boissons dans des tasses avec ouverture plus petite peuvent chauffer plus rapidement.
Mets en sauce (réfrigérés)	3	1 à 4 tasses (250 mL à 1 L)/ Placer dans un contenant pour micro-ondes et recouvrir d'une pellicule de plastique. Remuer et laisser reposer pendant 2 à 3 minutes après réchauffage.
Pizza (réfrigérée)	4	1 à 3 tranches, 3 oz (85 g) chacune/ Placer sur un essuie-tout ou une assiette en carton.
Sauce	5	1 à 4 tasses (250 mL à 1 L)/ Placer dans un contenant pour micro-ondes. Recouvrir d'une pellicule de plastique et laisser une ouverture d'échappement de l'air. Remuer et laisser reposer pendant 2 à 3 minutes après réchauffage.
Soupe	6	1 à 4 tasses (250 mL à 1 L)/ Placer dans un contenant pour micro-ondes. Recouvrir d'une pellicule de plastique et laisser une ouverture d'échappement de l'air. Remuer et laisser reposer pendant 2 à 3 minutes après réchauffage.

*Deux pains plus petits peuvent être comptés comme 1 morceau.

Utilisation de la fonction Réchauffage :

1. Placer les aliments sur le plateau rotatif.
2. Tourner le bouton rotatif Programme à Réchauffage.
3. Appuyer sur la commande FOOD CLASS (type d'aliment).
L'afficheur présente "Fc1" pour le premier type d'aliment.
Appuyer de façon répétée sur FOOD CLASS jusqu'à ce que le type d'aliment souhaité s'affiche. Voir le tableau.
4. Tourner le bouton rotatif Réglages à la quantité ou au poids désiré.
5. Appuyer sur Mise en marche.
Le degré de cuisson peut être réglé dans les 20 secondes après appuyé Mise en marche en tournant le bouton rotatif Réglages.
Le compte à rebours de la durée de cuisson s'affiche.
À la fin du programme, "END" (fin) apparaît sur l'afficheur, et les signaux de fin de programme sont émis, suivis de signaux de rappel.
6. Appuyer sur Arrêt ou ouvrir la porte pour effacer l'affichage et/ou arrêter les signaux de rappel.
7. Ramener le bouton rotatif Programme à Arrêt.

Pour le réchauffage manuel : Suivre les instructions de la section "Cuisson manuelle", et régler la puissance de cuisson à 70 %. Voir le tableau "Puissance de cuisson des micro-ondes".

Décongélation

Pour la décongélation, on peut utiliser la fonction Décongélation ou régler manuellement le four à micro-ondes.

- Déballez les aliments et enlevez les couvercles (par exemple, des contenants de jus de fruit) avant la décongélation.
- Les paquets peu épais décongèlent plus rapidement que les blocs épais.
- Séparer les morceaux d'aliments le plus tôt possible durant ou à la fin du programme pour une décongélation plus uniforme.
- Utiliser de petits morceaux de papier d'aluminium pour protéger les extrémités d'aliments telles que les ailes et pilons de poulet et les queues de poisson. Voir d'abord "Papier d'aluminium et métal".

La décongélation automatique ne doit pas être utilisée pour des aliments qui ont été laissés hors du congélateur pendant plus de 20 minutes ou pour les plats cuisinés surgelés.

Les durées et puissances de cuisson ont été pré-réglées pour la décongélation de types d'aliment précis. Utiliser le tableau suivant comme guide.

ALIMENTS	N°	QUANTITÉ/INSTRUCTIONS
Pain (petits pains, muffins, pains, tranches de pain, miches de pain)	1	0,1 à 2,0 lb (45 à 900 g)/ Placer sur un essuie-tout. Ne pas couvrir.
Poisson/Fruits de mer (filets, darnes, entier, crustacés)	2	0,2 à 4,4 lb (90 g à 2 kg)/ Enlever l'enveloppe et placer dans un plat de cuisson pour micro-ondes. Ne pas couvrir.
Viande (haché, biftecks, rôti, ragoût, côtelettes, côtes)	3	0,2 à 6,6 lb (90 g à 3 kg)/ Enlever l'enveloppe et placer dans un plat de cuisson pour micro-ondes. Ne pas couvrir.
Volaille (poulet entier, poulet en morceaux, poulets de Cornouailles, poitrine de dinde)	4	0,2 à 6,6 lb (90 g à 3 kg)/ Enlever l'enveloppe et placer dans un plat de cuisson pour micro-ondes, la poitrine de poulet vers le haut. Ne pas couvrir.

Utilisation de la commande Décongélation :

1. Placer les aliments sur le plateau rotatif.
2. Tourner le bouton rotatif Programme à Décongélation.
3. Appuyer sur la commande FOOD CLASS (type d'aliment).
L'afficheur présente "Fc1" pour le premier type d'aliment.
Appuyer de façon répétée sur FOOD CLASS jusqu'à ce que le type d'aliment souhaité s'affiche. Voir le tableau.
4. Tourner le bouton rotatif Réglages sur le poids désiré.
5. Appuyer sur Mise en marche.
Le compte à rebours de la durée de cuisson s'affiche.
À la fin du programme, "END" (fin) apparaît sur l'afficheur, et les signaux de fin de programme sont émis, suivis de signaux de rappel.
6. Appuyer sur Arrêt ou ouvrir la porte pour effacer l'affichage et/ou arrêter les signaux de rappel.
7. Ramener le bouton rotatif Programme à Arrêt.

Décongélation manuelle : Suivre les instructions de la section "Cuisson manuelle", et régler la puissance de cuisson à 30 %. Voir le tableau "Puissance de cuisson des micro-ondes".

Mais éclaté, pommes de terre au four et assiettée

REMARQUE : Pendant la fonction Popcorn (maïs éclaté), tout comme avec toutes les fonctions du four à micro-ondes, le four doit être surveillé. Attendre que l'éclatement ralentisse à 1 éclatement toutes les 1 ou 2 secondes, puis mettre fin au programme.

Utiliser le tableau suivant comme guide pour les modes du bouton rotatif Programme.

ALI-MENT	QUANTITÉ À SERVIR	INSTRUCTIONS
Maïs éclaté*	3 ou 3,5 oz (85 ou 99 g)	Ne préparer qu'un sachet à la fois.
Pommes de terre au four	1 à 4 moyennes, 10 à 13 oz (283 à 369 g) chacune, de taille similaire	Percer plusieurs fois chaque pomme de terre avec une fourchette. Les disposer sur de l'essuie-tout sur le pourtour du plateau rotatif, à au moins 1" (2,5 cm) les unes des autres. Laisser reposer 5 minutes après la cuisson.
Assiettée	1 portion (1 assiette), 8 à 16 oz (227 à 454 g)	Placer le mets sur une assiette, le recouvrir et laisser une ouverture d'échappement de l'air.

*Pour éviter d'endommager le four à micro-ondes, ne pas utiliser des sachets de papier classique ou des ustensiles en verre. Pour de meilleurs résultats de cuisson, ne pas tenter de faire éclater des grains non éclatés. Utiliser des sacs de maïs à éclater frais pour des résultats optimaux. Les résultats de cuisson peuvent varier en fonction de la marque et de la teneur en matières grasses. Pour des sachets dont les dimensions ne figurent pas dans cette section, suivre les indications de l'emballage. Lors de l'utilisation d'un éclateur de maïs au four à micro-ondes, suivre les instructions du fabricant.

Utilisation de la fonction Maïs éclaté :

1. Placer le sachet de maïs à éclater sur le plateau rotatif, le bon côté vers le haut, tel qu'indiqué sur l'emballage.
2. Tourner le bouton rotatif Programme à Maïs éclaté.
L'afficheur indiquera "3.0". Tourner le bouton rotatif Réglages modifiera la sélection et la placera sur "3.5".
3. Appuyer sur Mise en marche.
L'afficheur présente le compte à rebours jusqu'à l'éclatement.
À la fin du programme, "END" (fin) apparaît sur l'afficheur, et les signaux de fin de programme sont émis, suivis de signaux de rappel.
4. Appuyer sur Arrêt ou ouvrir la porte pour effacer l'affichage et/ou arrêter les signaux de rappel.
5. Ramener le bouton rotatif Programme à Arrêt.

Utilisation de la fonction Pomme de terre au four :

1. Placer les aliments sur le plateau rotatif et fermer la porte.
2. Tourner le bouton rotatif Programme à Pomme de terre au four.
3. Tourner le bouton rotatif Réglages pour sélectionner le nombre de pommes de terre.
4. Appuyer sur Mise en marche.

Le degré de cuisson peut être ajusté pendant les 20 premières secondes de cuisson en tournant le bouton. Voir la section "Degré de cuisson".

Le compte à rebours de la durée de cuisson s'affiche.

À la fin du programme, "END" (fin) apparaît sur l'afficheur, et les signaux de fin de programme sont émis, suivis de signaux de rappel.

5. Appuyer sur Arrêt ou ouvrir la porte pour effacer l'affichage et/ou arrêter les signaux de rappel.
6. Ramener le bouton rotatif Programme à Arrêt.

Utilisation de la fonction Assiettée :

1. Placer les aliments sur le plateau rotatif et fermer la porte.
2. Tourner le bouton rotatif Programme à Assiettée.
3. Appuyer sur Mise en marche.

Le degré de cuisson peut être ajusté pendant les 20 premières secondes de cuisson en tournant le bouton. Voir la section "Degré de cuisson".

L'afficheur présente le compte à rebours de la durée de réchauffage.

À la fin du programme, "END" (fin) apparaît sur l'afficheur, et les signaux de fin de programme sont émis, suivis de signaux de rappel.

4. Appuyer sur Arrêt ou ouvrir la porte pour effacer l'affichage et/ou arrêter les signaux de rappel.
5. Ramener le bouton rotatif Programme à Arrêt.

ENTRETIEN DU FOUR À MICRO-ONDES

Nettoyage général

IMPORTANT : Avant le nettoyage, s'assurer que toutes les commandes sont désactivées et que le four à micro-ondes est froid. Toujours suivre les instructions sur l'étiquette des produits de nettoyage.

Le savon, l'eau et un linge doux ou une éponge sont suggérés à moins d'avis contraire.

CAVITÉ DU FOUR À MICRO-ONDES

Pour éviter d'endommager la cavité du four à micro-ondes, ne pas utiliser de tampons à récurer savonneux, de nettoyeurs abrasifs, de tampons en laine d'acier, de chiffons rugueux de lavage ou certains genres d'essuie-tout recyclés.

Pour éviter d'endommager les modèles en acier inoxydable, frotter dans le sens du grain.

La surface où la porte et le cadre du four à micro-ondes se touchent quand la porte est fermée doit être maintenue propre.

Saleté moyenne

- Savons et détergents doux, non abrasifs :
Rincer à l'eau propre et sécher avec un linge doux sans charpie.

Saleté intense

- Savons et détergents doux, non abrasifs :
Faire chauffer 1 tasse (250 mL) d'eau pendant 2 à 5 minutes dans le four à micro-ondes. La vapeur ramollira la saleté. Rincer à l'eau propre et sécher avec un linge doux sans charpie.

Odeurs

- Jus de citron ou vinaigre :
Faire chauffer une tasse (250 mL) d'eau avec 1 c. à soupe (15 mL) de jus de citron ou de vinaigre pendant 2 à 5 minutes dans le four à micro-ondes.

Couvercle - orifice d'introduction des micro-ondes

Pour éviter la formation d'arcs et les dommages causés au four à micro-ondes, le couvercle - orifice d'introduction des micro-ondes (voir la section "Pièces et caractéristiques") doit être maintenu propre.

- Essuyer avec un chiffon humide.

PORTE DU FOUR À MICRO-ONDES ET EXTÉRIEUR

La surface où la porte et le cadre du four se touchent quand la porte est fermée doit être maintenue propre.

- Savons et détergents doux, non abrasifs :
Rincer à l'eau propre et assécher avec un linge doux sans charpie.
- Nettoyant à vitres et essuie-tout ou tampon à récurer en plastique non abrasif :
Appliquer le nettoyant à vitres sur un linge doux ou une éponge, et non pas directement sur la surface.

Acier inoxydable (sur certains modèles)

Pour éviter d'endommager la porte et l'extérieur du four à micro-ondes, ne pas utiliser de tampons à récurer garnis de savon, nettoyeurs abrasifs, tampons en laine d'acier, chiffons de lavage rugueux ou certains essuie-tout. Frotter dans le sens du grain.

- Nettoyant et poli pour acier inoxydable (non inclus) :
Voir la section "Assistance ou service" pour soumettre une commande.
- Détergent liquide ou nettoyant tout-usage :
Rincer à l'eau propre et sécher avec un linge doux sans charpie.
- Vinaigre pour les taches d'eau dure.

TABLEAU DE COMMANDE

Pour éviter d'endommager le tableau de commande, ne pas utiliser nettoyeurs abrasifs, tampons en laine d'acier, chiffons de lavage rugueux ou certains essuie-tout.

Assurer que le bouton est appuyé dans sa position affleurante.

- Nettoyant à vitres et un linge doux ou un éponge : Appliquer le nettoyant à vitres sur un linge doux, et non pas directement sur la surface.

PLATEAU ROTATIF

Remettre le plateau rotatif en place immédiatement après le nettoyage. Ne pas faire fonctionner le four à micro-ondes lorsque le plateau rotatif est enlevé.

- Nettoyant doux et tampon à récurer
- Lave-vaisselle

DÉPANNAGE

Essayez d'abord les solutions suggérées ici afin d'éviter le coût d'une visite de service non nécessaire.

Rien ne fonctionne

- **Un fusible est-il grillé ou le disjoncteur s'est-il déclenché?**
Remplacer le fusible ou réenclencher le disjoncteur. Si le problème persiste, appeler un électricien.
- **Le four à micro-ondes est-il correctement raccordé?**
Voir les Instructions d'installation fournies avec le four à micro-ondes.
- **L'alimentation électrique du domicile provient-elle d'un onduleur?**
Pour ce four à micro-ondes, la source de courant électrique correspond également à un onduleur et les deux (onduleurs) sont incompatibles.

Le four à micro-ondes ne fonctionne pas

- **Le magnétron fonctionne-t-il correctement?**
Faire chauffer une tasse (250 mL) d'eau froide pendant 2 minutes à la puissance de cuisson maximale. Si l'eau ne chauffe pas, essayer les étapes ci-dessous. Si le four à micro-ondes ne fonctionne toujours pas, faire un appel de service. Voir la section "Assistance ou service".
- **La porte est-elle bien fermée?**
Bien fermer la porte.
- **Une cale d'espacement de l'emballage (sur certains modèles) est-elle fixée à l'intérieur de la porte?**
Enlever la cale d'espacement de l'emballage, puis bien fermer la porte.
- **La commande électronique du four à micro-ondes est-elle correctement réglée?**
Voir la section "Tableau de commande du four à micro-ondes".
- **Sur certains modèles, le verrouillage des commandes est-il réglé?**
Voir la section "Verrouillage des commandes".
- **L'afficheur indique-t-il "DOOR"?**
Ouvrir et fermer la porte du four à micro-ondes, puis appuyer sur START (mise en marche). Voir la section "Start (mise en marche)".

Le four à micro-ondes bourdonne

- Ceci est normal et se produit lorsque l'alimentation électrique allume et éteint le magnétron par intermittence.

La porte du four à micro-ondes semble gondolée

- Ceci est normal et n'affecte pas la performance.

Le plateau rotatif ne fonctionne pas

- **Le plateau rotatif est-il bien en place?**
S'assurer que le plateau rotatif est à l'endroit et repose bien sur son support. Voir la section "Plateau rotatif".

- **Le support du plateau rotatif fonctionne-t-il correctement?**
Retirer le plateau rotatif. Retirer et nettoyer l'axe et le support du plateau rotatif et les roulettes. Réinstaller l'axe, le support et le plateau rotatif. Placer 1 tasse (250 mL) d'eau sur le plateau rotatif, puis remettre le four à micro-ondes en marche. S'il ne fonctionne toujours pas, faire un appel de service. Voir la section "Assistance ou service". Ne pas faire fonctionner le four à micro-ondes sans que le plateau rotatif et son support fonctionnent correctement.

Le plateau rotatif tourne dans les deux sens

- Ceci est normal et dépend de la rotation du moteur au début du programme.

Des messages s'affichent

- **L'afficheur indique-t-il "E"?**
Il y a eu une panne de courant ou l'horloge a été éteinte. Voir la section "Horloge" pour régler de nouveau l'horloge.

Le ventilateur tourne plus lentement que d'habitude

- **Le four à micro-ondes a-t-il été remis dans un endroit froid?**
Le ventilateur fonctionnera plus lentement jusqu'à ce que le four à micro-ondes atteigne la température ambiante normale.

Les durées de cuisson semblent trop longues

- **La puissance de cuisson est-elle bien réglée?**
Voir la section "Puissance de cuisson des micro-ondes".
- **Chauffe-t-on de grosses quantités d'aliments?**
Les quantités plus grandes d'aliments nécessitent des durées de cuisson plus longues.
- **La tension d'alimentation est-elle inférieure à celle indiquée dans "Sécurité du four à micro-ondes encastrée"?**
Faire vérifier le système électrique du domicile par un électricien qualifié.

Interférences avec la radio, un téléviseur ou un téléphone sans fil

- **La radio ou le téléviseur se trouve-t-il/elle près du four à micro-ondes?**
Éloigner l'appareil du four à micro-ondes ou ajuster l'antenne de la radio ou du téléviseur.
- **La porte du four à micro-ondes et les surfaces d'étanchéité sont-elles propres?**
S'assurer que ces zones sont propres.
- **Le téléphone sans fil est-il de fréquence 2,4 GHz?**
Certains téléphones sans fil de 2,4 GHz et certains réseaux domestiques sans fil peuvent subir des parasites ou des bruits lorsque le four à micro-ondes est en marche. Utiliser un téléphone avec fil, un téléphone sans fil avec une fréquence différente ou éviter d'utiliser ces articles pendant le fonctionnement du four à micro-ondes.

ASSISTANCE OU SERVICE

Avant de faire un appel pour assistance ou service, consulter la section "Dépannage". Ce guide peut vous faire économiser le coût d'une visite de service. Si vous avez encore besoin d'aide, suivre les instructions ci-dessous.

Lors d'un appel, veuillez connaître la date d'achat, le numéro de modèle et le numéro de série au complet de l'appareil. Ces renseignements nous aideront à mieux répondre à votre demande.

Si vous avez besoin de pièces de rechange

Si vous avez besoin de commander des pièces de rechange, nous vous recommandons d'employer uniquement des pièces spécifiées par l'usine. Les pièces spécifiées par l'usine fonctionneront bien parce qu'elles sont fabriquées avec la même précision utilisée dans la fabrication de chaque nouvel appareil IKEA®.

Pour localiser des pièces spécifiées par l'usine dans votre région, nous appeler ou téléphoner au centre de service désigné le plus proche.

Au Canada

Veuillez appeler sans frais le Centre pour l'eXpérience de la clientèle de Whirlpool Canada LP au : **1-866-664-2449**.

Nos consultants vous renseigneront sur les sujets suivants :

- Caractéristiques et spécifications sur toute notre gamme d'appareils électroménagers.
- Consignes d'utilisation et d'entretien.
- Vente d'accessoires et de pièces de rechange.
- Références aux marchands locaux, aux distributeurs de pièces de rechange et aux compagnies de service. Les techniciens de service désignés par Whirlpool Canada LP sont formés pour remplir la garantie des produits et fournir un service après la garantie, partout au Canada.

Pour plus d'assistance

Si vous avez besoin de plus d'assistance, vous pouvez soumettre par écrit toute question ou préoccupation à Whirlpool Canada LP à l'adresse suivante :

Centre pour l'eXpérience de la clientèle
Whirlpool Canada LP
1901 Minnesota Court
Mississauga, Ontario L5N 3A7

Veuillez inclure dans votre correspondance un numéro de téléphone où on peut vous joindre dans la journée.

Pièces de rechange

Plateau rotatif Numéro de pièce 8205676	Axe du plateau rotatif Numéro de pièce 8205539
Support du plateau rotatif et roulettes Numéro de pièce 8205538	

Accessoires de nettoyage

Produit de dégraissage pour service intense Numéro de pièce 31552	Nettoyant et poli pour acier inoxydable Numéro de pièce 31462
Nettoyant tout-usage pour appareils ménagers Numéro de pièce 31682	

GARANTIE DES GROS APPAREILS MÉNAGERS IKEA

Pendant combien de temps la garantie limitée IKEA est-elle valide?

Cette garantie limitée est valide pendant cinq ans à compter de la date d'achat lorsque ce gros appareil ménager a été utilisé et entretenu conformément aux instructions jointes au produit ou fournies avec celui-ci, sauf si l'appareil porte le nom LAGAN, auquel cas cette garantie limitée est valide pendant un an à compter de la date d'achat. Cette garantie limitée est valide uniquement aux États-Unis ou au Canada et s'applique exclusivement lorsque le gros appareil ménager est utilisé dans le pays où il a été acheté. Une preuve de la date d'achat d'origine est exigée pour obtenir un service dans le cadre de la présente garantie limitée.

Quels sont les appareils ménagers non couverts par la garantie limitée IKEA de cinq (5) ans?

Pour les gros appareils ménagers portant le nom "LAGAN", cette garantie limitée est valide pendant un an à compter de la date d'achat.

Qui effectuera l'intervention d'entretien ou de réparation?

Cette garantie limitée est fournie par Whirlpool Corporation ou Whirlpool Canada LP (ci-après désignées "Whirlpool"). Le service doit être fourni par une compagnie de service désignée par Whirlpool.

Que couvre cette garantie limitée?

La garantie limitée paiera pour les pièces spécifiées par l'usine et la main-d'œuvre pour corriger les vices de matériaux ou de fabrication qui existaient déjà lorsque ce gros appareil ménager a été acheté. Les exceptions figurent sous le titre "Quels sont les éléments non couverts par cette garantie limitée?".

Quelles mesures seront prises pour corriger le problème?

La compagnie de service désignée examinera le produit et décidera, à sa seule discrétion, si ce produit est couvert par cette garantie limitée. S'il est considéré comme couvert, la compagnie de service désignée corrigera le défaut. Le seul et exclusif recours du client dans le cadre de la présente garantie limitée consiste en la réparation du produit telle que mentionné dans la présente.

Quels sont les éléments non couverts par cette garantie limitée?

- Les visites de service pour rectifier l'installation du gros appareil ménager, montrer à l'utilisateur comment utiliser le gros appareil ménager, remplacer ou réparer des fusibles du domicile ou rectifier le câblage ou la plomberie du domicile.
- Les visites de service pour réparer ou remplacer les ampoules électriques, les filtres à air ou les filtres à eau de l'appareil. Les pièces consommables ne sont pas couvertes par la garantie.
- Les pièces de rechange ou la main-d'œuvre lorsque ce gros appareil ménager est utilisé à des fins autres que l'usage domestique unifamilial normal ou lorsque les instructions d'installation et/ou les instructions de l'opérateur ou de l'utilisateur fournies ne sont pas respectées.
- Les dommages imputables à : accident, modification, usage impropre ou abusif, incendie, inondation, actes de Dieu, installation fautive ou installation non conforme aux codes d'électricité ou de plomberie ou l'utilisation de pièces consommables ou de produits de nettoyage dont l'utilisation n'est pas approuvée.
- Les défauts d'apparence, notamment les éraflures, traces de choc, fissures ou tout autre dommage subi par le fini du gros appareil ménager, à moins que ces dommages ne résultent de vices de matériaux ou de fabrication et ne soient signalés dans les 30 jours qui suivent la date d'achat.
- Toute perte d'aliments ou de médicaments due à une défaillance du réfrigérateur ou du congélateur.
- L'enlèvement et la livraison. Ce gros appareil ménager est conçu pour être réparé à domicile.
- Les réparations aux pièces ou systèmes résultant d'une modification non autorisée faite à l'appareil.
- Les frais de déplacement et de transport pour une intervention sur un produit si le gros appareil ménager est situé dans une région éloignée où un service d'entretien autorisé n'est pas disponible.
- L'enlèvement et la réinstallation du gros appareil ménager si celui-ci est installé dans un endroit inaccessible ou n'est pas installé conformément aux instructions d'installation fournies.
- Les pièces de rechange ou la main-d'œuvre pour les gros appareils ménagers dont les numéros de modèle/de série ont été enlevés, modifiés ou ne peuvent pas être facilement identifiés.

Le coût d'une réparation ou de pièces de rechange dans le cadre de ces circonstances exclues est à la charge du client.

Clause d'exonération de responsabilité au titre des garanties implicites

LES GARANTIES IMPLICITES, Y COMPRIS LES GARANTIES APPLICABLES DE QUALITÉ MARCHANDE OU D'APTITUDE À UN USAGE PARTICULIER, SONT LIMITÉES À CINQ ANS (UN AN POUR LES GROS APPAREILS MÉNAGERS PORTANT LE NOM "LAGAN") OU À LA PLUS COURTE PÉRIODE AUTORISÉE PAR LA LOI. Certains États et provinces ne permettent pas de limitation sur la durée de garanties implicites de qualité marchande ou d'aptitude à un usage particulier, de sorte que la limitation ci-dessus peut ne pas être applicable dans votre cas. Cette garantie vous confère des droits juridiques spécifiques et vous pouvez également jouir d'autres droits qui peuvent varier d'une juridiction à l'autre.

Limitation des recours; exclusion des dommages fortuits et indirects

LE SEUL ET EXCLUSIF RECOURS DU CLIENT DANS LE CADRE DE LA PRÉSENTE GARANTIE LIMITÉE CONSISTE EN LA RÉPARATION PRÉVUE CI-DESSUS. WHIRLPOOL N'ASSUME AUCUNE RESPONSABILITÉ POUR LES DOMMAGES FORTUITS OU INDIRECTS. Certains États et certaines provinces ne permettent pas l'exclusion ou la limitation des dommages fortuits ou indirects de sorte que ces limitations et exclusions peuvent ne pas être applicables dans votre cas. Cette garantie vous confère des droits juridiques spécifiques et vous pouvez également jouir d'autres droits qui peuvent varier d'une juridiction à l'autre.

Comment nous contacter si vous avez besoin d'une intervention d'entretien ou de réparation

Si vous résidez à l'extérieur des 50 États des États-Unis et du Canada, contactez votre marchand IKEA autorisé pour déterminer si une autre garantie s'applique.

Si vous avez besoin d'une intervention d'entretien ou de réparation, veuillez lire les Instructions d'installation et/ou la section "Dépannage" dans le Guide d'utilisation et d'entretien avant de nous contacter. Si vous avez besoin d'aide supplémentaire, n'hésitez pas à nous contacter aux États-Unis et au Canada au **1-866-664-2449**.

3/09

Conservez ce manuel et votre reçu de vente ensemble pour référence ultérieure. Pour le service sous garantie, vous devez présenter un document prouvant la date d'achat ou d'installation.

Inscrivez les renseignements suivants au sujet de votre gros appareil ménager pour mieux vous aider à obtenir assistance ou service en cas de besoin. Vous devrez connaître le numéro de modèle et le numéro de série au complet. Vous trouverez ces renseignements sur la plaque signalétique située sur le produit.

Nom du marchand _____

Adresse _____

Numéro de téléphone _____

Numéro de modèle _____

Numéro de série _____

Date d'achat _____