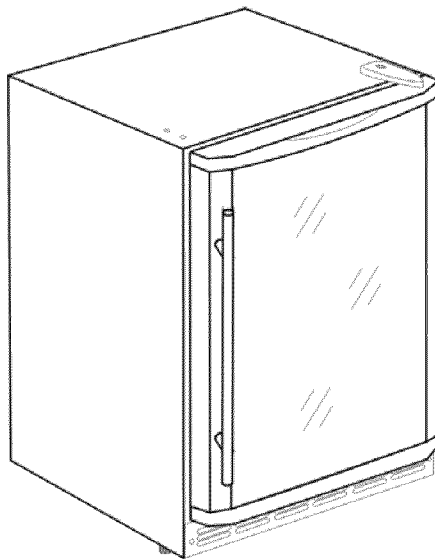




**STAINLESS STEEL BUILT-IN WINE/BEVERAGE COOLER  
INSTRUCTION MANUAL**

**Model No.: MCWC50DST  
MCBC58DST**



**To ensure proper use of this appliance and your safety, please read the following instructions completely before operating this appliance.**

# TABLE OF CONTENTS

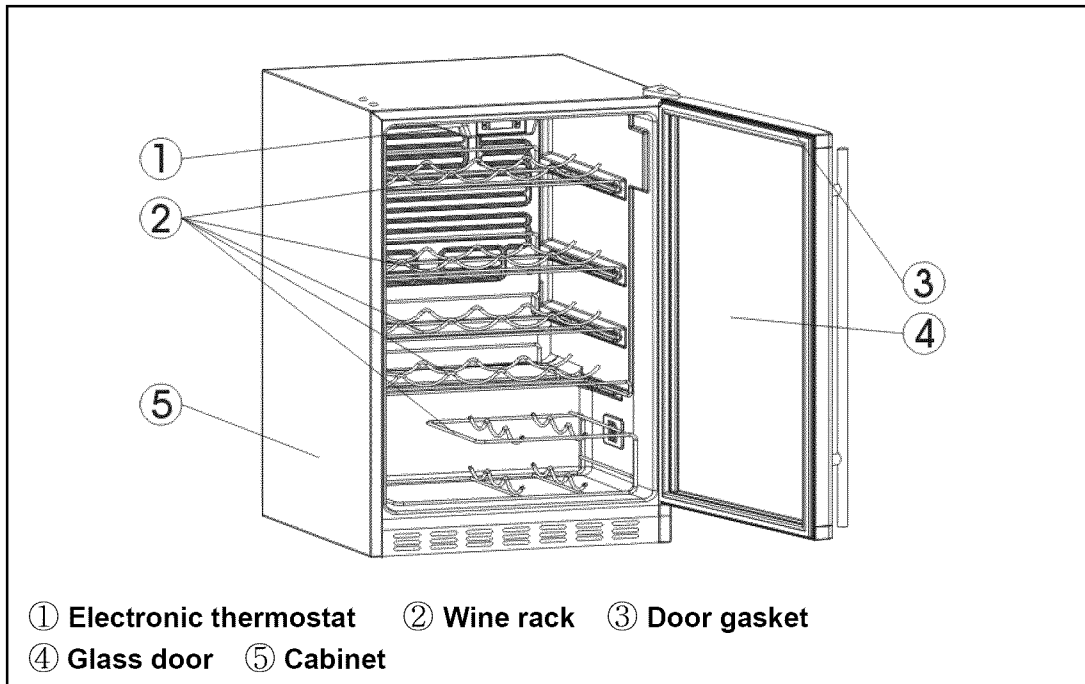
---

NAMES OF THE PARTS.....	2
SPECIFICATIONS.....	3
IMPORTANT SAFETY INSTRUCTIONS.....	4
INSTALLATION INSTRUCTIONS	
BEFORE USING YOUR APPLIANCE.....	4
FREE STANDING INSTALLATION.....	4
BUILT-IN INSTALLATION.....	5
ELECTRICAL CONNECTION .....	5
APPLIANCE FEATURE	
MCWC50DST: WINE COOLER .....	6
MCBC58DST: BEVERAGE COOLER .....	6
OPERATING YOUR APPLIANCE	
MCWC50DST: WINE COOLER .....	7
MCBC58DST: BEVERAGE COOLER .....	7
CHANGING THE INNER LIGHT .....	8
AUTOMATIC DEFROST .....	8
CHANGING THE REVERSIBLE DOOR .....	8
CARE AND MAINTENANCE	
CLEANING YOUR APPLIANCE.....	9
VACATION TIME.....	9
MOVING YOUR APPLIANCE.....	9
ENERGY SAVING TIPS.....	9
TROUBLESHOOTING GUIDE.....	10
APPLIANCE WARRANTY.....	11

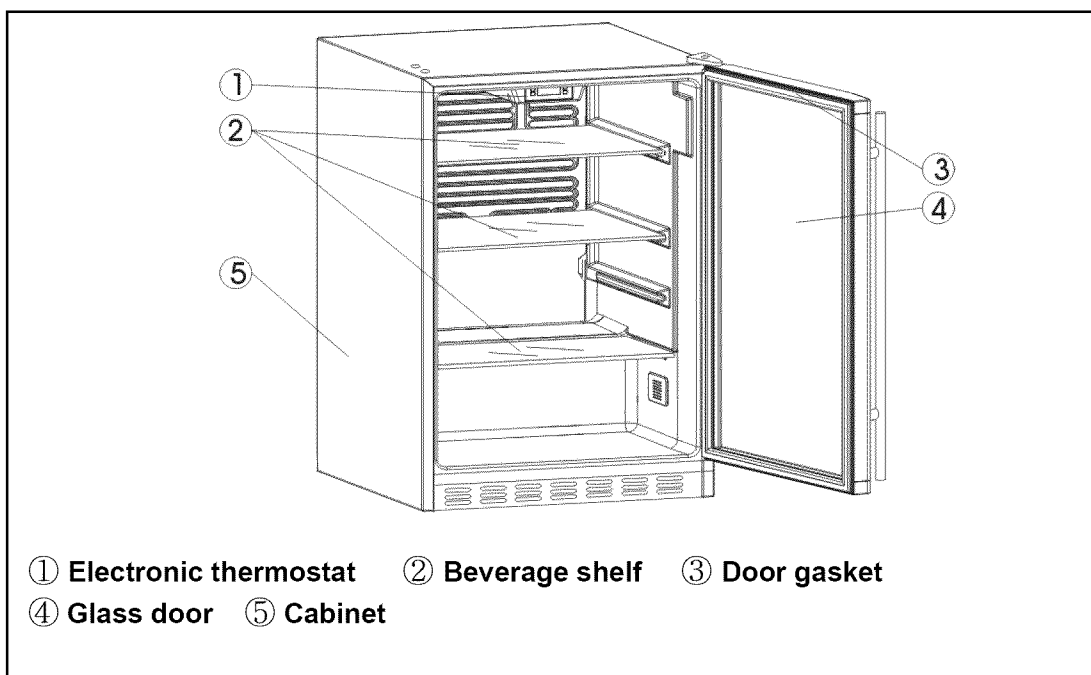
# NAMES OF THE PARTS

---

MODEL NO.: MCWC50DST



MODEL NO.: MCBC58DST



## **SPECIFICATIONS – Model # MCWC50DST**

---

Product Description	Magic Chef 50 Bottle Stainless Steel Built-In Wine Cooler		
Model No.	MCWC50DST		
Unit Dimensions ( inches )	Width	Height	Depth
	23.4"	34.4"	24.4"
Net Weight ( lbs)	99 lbs		

## **SPECIFICATIONS – Model # MCBC58DST**

---

Product Description	Magic Chef 5.8 cu.ft. Stainless Steel Built-In Beverage Cooler		
Model No.	MCBC58DST		
Unit Dimensions ( inches )	Width	Height	Depth
	23.4"	34.4"	24.4"
Net Weight ( lbs)	104 lbs		

# IMPORTANT SAFETY INSTRUCTIONS

<b>⚡ WARNING ⚡</b>	To reduce the risk of fire, electrical shock, or injury when using your appliance, follow these basic precautions:
<ul style="list-style-type: none"><li>• Read all instructions before using the wine or beverage cooler.</li><li>• <b>DANGER or WARNING:</b> Risk of child entrapment.</li><li>• To avoid the possibility of child entrapment, please take the following precautions before throwing out the appliance.<ul style="list-style-type: none"><li>- Remove all doors from the unit.</li><li>- Leave the shelves in place so that children may not easily climb inside.</li></ul></li><li>• Never allow children to operate, play with, or crawl inside the appliance.</li><li>• <b>Refrigerants:</b> All refrigeration products contain refrigerants, which under the guidelines of federal law must be removed before disposal of product. It is the consumer's responsibility to comply with federal and local regulations when disposing of this product.</li><li>• Never clean appliance parts with flammable fluids. The fumes can create a fire hazard or explosion.</li><li>• Do not store or use gasoline or any other flammable vapors and liquids in the vicinity of this or any other appliance. The fumes can create a fire hazard or an explosion.</li></ul> <p style="text-align: center;">-Save these instructions-</p>	

## INSTALLATION INSTRUCTIONS

### Before Using Your Appliance

- Remove the exterior and interior packing.
- Before connecting the appliance to the power source, let it stand upright for approximately 4 hours. This will reduce the possibility of a malfunction in the cooling system from improper handling during transportation.
- Clean the interior surface with lukewarm water using a soft cloth. (Cleaning instruction on page 9)

### Free-Standing Installation

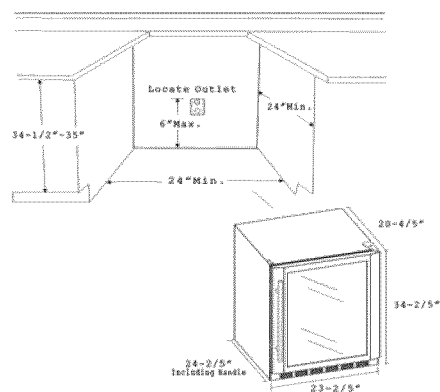
- This appliance is designed to be **installed built-in or free standing**.
- Locate the appliance away from direct sunlight and sources of heat (stove, heater, radiator, etc.). Direct sunlight may affect the acrylic coating and heat sources may increase electrical consumption. Ambient temperature below 55°F (12.8°C) or above 77°F (25°C) will hinder the performance of this appliance. **This unit is not designed for use in a garage or any other outside installation.**
- Avoid locating the appliance in moist areas.
- Plug the appliance into dedicated, properly installed-grounded wall outlet. Do not under any circumstances cut or remove the third (ground) prong from the power cord. Any questions concerning power and/or grounding should be directed toward a certified electrician or an authorized service center. **This unit is not designed to be installed in an RV or used with an inverter.**
- After plugging the appliance into a wall outlet, turn the unit on and allow the unit to cool down for 3 ~ 4 hours under before placing wine bottles or beverages in the appliance.

## **Built-In Installation**

The cutout dimension illustrated in figure (A) allows for door swing and access to the pull-out shelves when installed as a built-in appliance. If installing between frameless cabinets, a 1/2" wide filler strip or side panel may be needed on hinge side. The filler strip will act as a spacer between the appliance case and adjacent cabinet door swing. The width of the opening must include the filter panels.

### **Note:**

- The door should protrude at least 1" beyond the surrounding cabinets.
- If door reversal is desired, please follow Reversible door instructions on page 8 of this manual prior to installation.



**Figure A**

**The cutout depth must be 24".**

## **Electrical Connection**

### **⚡WARNING⚡**

Improper use of the grounded plug can result in the risk of electrical shock. If the power cord is damaged, have it replaced by an authorized service center.

This appliance should be properly grounded for your safety. The power cord of this appliance is equipped with a three-prong plug which mates with standard three prong wall outlets to minimize the possibility of electrical shock.

Do not, under any circumstances, cut or remove the third ground prong from the power cord supplied.

This appliance requires a standard 115 Volt A.C. /60Hz electrical outlet with three-prong ground.

This appliance is not designed to be used with an inverter.

The cord should be secured behind the appliance and not left exposed or dangling to prevent accidental injury.

Never unplug the appliance by pulling the power cord. Always grip the plug firmly and pull straight out from the receptacle.

Do not use an extension cord with this appliance. If the power cord is too short, have a qualified electrician or service technician install an outlet near the appliance. Use of an extension cord can negatively affect the performance of the unit.

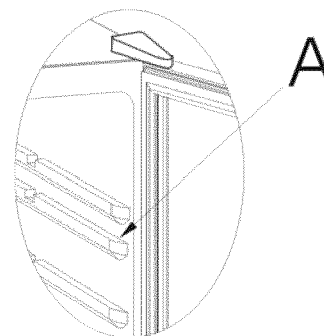
If any problems with the appliance persist, please contact our Customer Service Dept. to consult with a representative at **888 775-0202** or visit our website to request warranty service at **[www.mcpliance.com](http://www.mcpliance.com)**.

# APPLIANCE FEATURE

## MCWC50DST: Wine Cooler

### Engaged Wine Shelves

- There are five wine shelves of full depth in upper part of cabinet to store wine bottles.
- The second supporting guide (Counted from top, see illustration "A") is not designed for wine shelves. It is only for beverage shelf.
- All the top five wine shelves have tabs to engage the cabinet on both sides.
- Any of the wine shelves can be removed to accommodate larger bottles.



### To Remove a Shelf:

- Remove all bottles from the shelves.
- Lift the shelf upwards and then gently pull out the shelves.

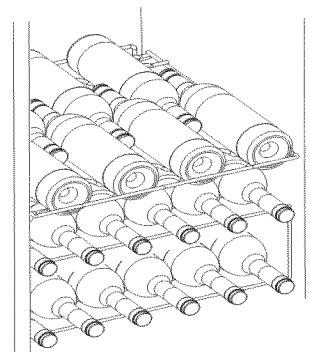
### To Replace a Shelf:

- Place the sides of the shelves back onto the supporting guides of the cabinet and push back until the shelf tabs slide into place.

**NOTE: Ensure that the tabs are firmly engaged in place before storing any bottles.**

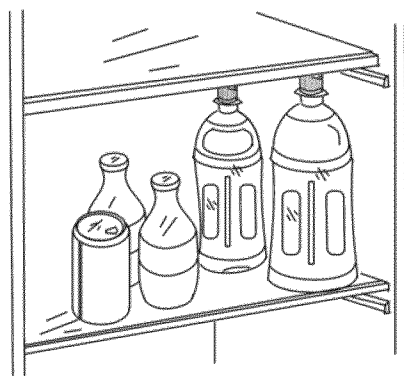
### Bottle Arrangement

- The top five shelves each hold 8 bottles with the bottle necks alternating front to back.
- The bottom rack, which consist of two stories, each holds 6 bottles with bottle necks facing the front.



## MCBC58DST: Beverage Cooler

### Engaged Beverage Shelves



- There are three glass shelves to store beverage cans or bottles.
- All three glass shelves have tabs to engage the cabinet on both sides.
- The shelves may be arranged on any supporting guide as preferred.
- Any of the glass shelves can be removed to accommodate larger cans or bottles.

### To Remove a Shelf:

- Remove all cans or bottles from the shelves.
- Lift the shelf upwards and then gently pull out the shelves.

### To Replace a Shelf:

- Place the sides of the shelves back onto the supporting guides of the cabinet and push back until the shelf tabs slide into place.

**NOTE: Ensure that the tabs are firmly engaged in place before storing any beverages.**

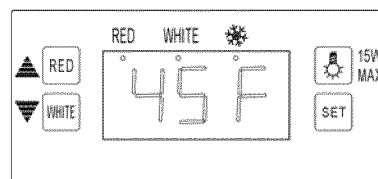
### Warning:

- Do not press/jostle the circulation fan in the cabinet when you place in or remove the beverage cans or bottles.
- Properly store your beverages so that the cans or bottles do not hinder air circulation inside the cabinet.

# OPERATING YOUR APPLIANCE

## MCWC50DST: Wine Cooler

- The temperature range of the wine cooler is for 39°F ~ 64°F (4°C ~ 18°C) +/- 5°F.
- Temperature Recommendations:
  - Red Wine: 54°F ~ 61°F (12°C ~ 16°C)
  - White Wine: 43°F ~ 50°F (6°C ~ 10°C)
- The display indicates the average temperature of the appliance at the moment.



### **Pre-Set Wine Zones**

- Press the “RED” or “WHITE” pads to choose preset storage conditions for either red or white wine. (The indicator light “RED” or “WHITE” will illuminate accordingly.)
- The programmed temperature for red or white wine will be displayed for a few seconds.

### **Manual Temperature Setting**

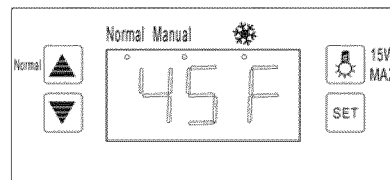
- The temperature of the wine cooler can be set anywhere between 39°F ~ 64°F (4°C ~ 18°C) by pressing temperature up ▲ and temperature down ▼ pads as follows:
  - 1) Press the [SET] pad until you hear a “Beep” sound (approximately 2 seconds).
  - 2) Press the ▲▼ pads to increase or decrease the desired temperature in increments of one degree.
  - 3) Press the [SET] pad to confirm your desired temperature setting. If no pad is pressed within 10 seconds, your select temperature setting will be automatically confirmed.

### **NOTE:**

- To select temperature display between Celsius (°C) or Fahrenheit (°F), press the “▲” pad for approximately 2 seconds.

## MCBC58DST: Beverage Cooler

- The temperature range of the beverage cooler is for 39°F ~ 54°F (4°C ~ 12°C). +/- 5°F.
- The display indicates the average temperature of the appliance at the moment.



### **NORMAL Temperature Setting**

- When the appliance is switched on, or the “NORMAL” pad is pressed, the appliance runs on the temperature setting of 45°F (7°C) and the “NORMAL” indicator light will be illuminated.

### **Manual Temperature Setting**

- The temperature of the beverage cooler can be set anywhere between 39°F ~ 54°F (4°C ~ 12°C) by pressing temperature up ▲ and temperature down ▼ pads as follows:
  - 1) Press the [SET] pad until you hear a “Beep” sound (approximately 2 seconds).
  - 2) Press the ▲▼ pads to increase or decrease the desired temperature in increments of one degree.
  - 3) Press the [SET] pad to confirm your desired temperature setting. If no pad is pressed within 10 seconds, your select temperature setting will be automatically confirmed.

### **NOTE:**

- The “MANUAL” indicator light will be illuminated while you are manually setting the temperature on the beverage cooler.
- To select temperature display between Celsius (°C) or Fahrenheit (°F), press the “▲” pad for approximately 2 seconds.

### **The following is applicable to both MCWC50DST and MCBC58DST:**

- The ❄️ indicator will remain ON during refrigeration cycle and will be OFF during idle cycle.
- To switch the Interior light ON/OFF, press the 🌞 pad.



## Changing The Inner Light

Before removing the inner light, turn off the appliance first and then unplug the unit from the wall outlet. Failure to do so could result in electrical shock or personal injury.

- Use Phillips screwdriver to take out the screw.
- Remove the transparent light cover gently.
- Pull out the existing light bulb by unscrewing it counter-clockwise.
- Insert new light bulb (E12, max. 15W) by screwing it in clockwise.
- Replace the transparent light cover and tighten screw.

## Automatic Defrost

There is no need for manual defrosting of this appliance due to automatic defrosting function.

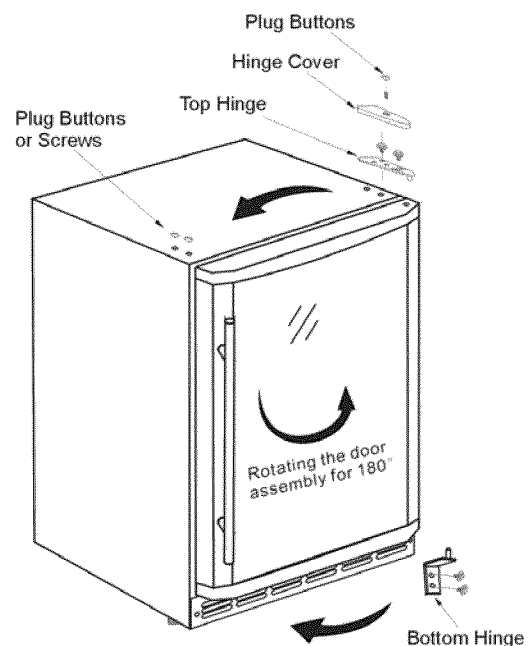
- The ice build-up on the inner back wall during compressor operation will be automatically defrosted once the compressor cycle is off.
- Defrost water will drain out passing through the drain outlet in the inner back wall into a drain pan located above the compressor, from where it evaporates.

# CHANGING THE REVERSIBLE DOOR

This appliance is built with a reversible door. You have the choice of either opening it from the left or the right side. In order to reverse the opening direction of your door, please follow these simple instructions. **NOTE: If desired, please change the door swing prior to appliance installation.**

**Caution: To avoid personal injury to yourself and/or property, we highly recommend that someone assist you during the door reversal process.**

- 1) Remove the top hinge assembly and keep them for later use.
- 2) Remove the bottom hinge assembly and keep them for later use.
- 3) Remove the plug buttons from the upper left holes and transfer them to the uncovered holes on the right side. Be sure to press the plug buttons firmly into the hole.
- 4) Re-install the top hinge assembly previously removed in step 1 on the opposite side.
- 5) Re-install the bottom hinge assembly previously removed in step 2 on the opposite side.
- 6) Re-install the door assembly with the door handle on the opposite side. (Rotating the door assembly 180°).
- 7) Ensure that the door assembly is properly aligned with cabinet before tightening the screws.



# CARE AND MAINTENANCE

## **Cleaning Your Appliance**

- Upon installation of your new appliance, it is recommended that it be cleaned thoroughly.
- Turn off the appliance first and then unplug the unit from the wall outlet.
- Remove all contents.
- Wash the inside with a damp warm cloth soaked in lukewarm water and baking soda solution. The solution should be about 2 tablespoons of baking soda to a quart of water.
- Be sure to keep the door gasket (seal) clean to keep the unit running efficiently.
- The outside of the appliance should be cleaned with mild detergent and warm water.
- Dry the interior and exterior with a soft cloth.
- Dust or anything else blocking the vent may hinder the cooling efficiency of the appliance. Vacuum the vent if necessary.

## **Vacation Time**

- Turn off the appliance first and then unplug the unit from the wall outlet.
- Remove all the contents.
- Clean the appliance.
- Leave the lid open slightly to avoid possible formation of condensation, mold, or odors.
- Short vacations: Leave the appliance operating during vacations of less than three weeks.
- Long vacations: If the appliance will not be used for several months, remove all content and unplug the power cord. Clean and dry the interior thoroughly. To prevent odor and mold growth, leave the door open slightly: blocking it open if necessary.

## **Moving Your Appliance**

- Turn off the appliance first and then unplug the unit from the wall outlet.
- Remove all the contents.
- Securely tape down all loose items inside your appliance.
- Tape the doors shut.

## **Energy Saving Tips**

- The appliance should be located in the coolest area of the room, away from heat producing appliances or heating ducts, and out of the direct sunlight.
- Ensure that door is closed when the appliance is turned on.

# TROUBLESHOOTING GUIDE

---

You can solve many common appliance problems easily, saving you the cost of a possible service call. Try the suggestions below to see if you can solve the problem before calling for service.

PROBLEM	POSSIBLE CAUSE
Appliance does not operate.	Not plugged in. The circuit breaker tripped or a blown fuse.
Temperature inside the appliance is too warm.	Temperature control is set too warm. Turn the control to a cooler setting and allow several hours for the temperature to stabilize. Door is kept open too long or is opened too frequently. Warm air enters the appliance every time the door is opened. Open the door less often. The door is not closed completely. The door gasket does not seal properly. The appliance has recently been disconnected for a period of time. 4 hours are required for the appliance to cool down completely.
Temperature inside the appliance is too cold.	Temperature control is set too cold. Turn the control to a warmer setting and allow several hours for the temperature to stabilize.
Vibrations.	Check to assure that the appliance is on a level surface. The appliance is touching the wall. Re-level the appliance and move it from the wall. If continued vibration occurs, turn off the appliance and unplug the power plug. Contact Customer Service Dept. for further assistance.
Moisture forms on inside appliance walls.	Door is slightly open. Door is kept open too long, or is opened too frequently. Open the door less often. The door is not sealed properly.
Moisture forms on outside of appliance.	Door is slightly open, causing cold air from inside the appliance to meet warm moist air from outside.
The door will not close properly.	The appliance is not on a level surface. The gasket is dirty.



## Appliance Warranty

**MC Appliance Corporation** warrants each new appliance to be free from defects in material and workmanship and agrees to remedy any such defect or to furnish a new part(s) (at the company's option) for any part(s) of the unit that has failed during the warranty period. Parts and labor expenses are covered on this unit for a period of one year after the date of purchase. In addition, MC Appliance Corp. warrants the compressor (parts only) to be free from defects in material and workmanship for a period of 5 years. The consumer is responsible for all labor and transportation expenses related to the diagnosis and replacement of the compressor after the initial one-year warranty expires. If in the event that the unit is determined to be non-repairable under the terms of this warranty, the consumer is responsible for all transportation expenses to return the unit to our factory prior to receiving a refund. **A copy of the dated sales receipt / invoice is required to receive warranty service or a refund.**

**This warranty covers appliances in use within the continental United States, Puerto Rico and Hawaii. The warranty does not cover the following:**

- Damages due to shipping damage or improper installation.
- Damages due to misuse or abuse.
- Content losses due to failure of the unit.
- Inside components such as door panels, door shelves, racks, light bulbs, etc.
- Punctures to the evaporator system due to improper defrosting of the unit.
- Repairs performed by unauthorized service agents.
- Service calls that do not involve defects in material and workmanship such as instruction on proper use of the product, door reversal or improper installation.
- Replacement or resetting of house fuses or circuit breakers.
- Failure of this product if used for other than for its intended purpose.
- Disposal costs for any failed unit not returned to our factory.
- Any delivery costs incurred as the result of a unit that fails to perform as specified.

**This warranty is in lieu of all warranties expressed or implied and no representative or person is authorized to assume for us any other liability in connection with the sale of this product. Under no circumstances is the consumer permitted to return this unit to the factory without prior written consent from MC Appliance Corporation.**

Model	Parts	Labor	Compressor (part only)	Type of Service
MCWC50DST	One-Year	One-Year	Five-Year	In-Home
MCBC58DST	One-Year	One-Year	Five-Year	In-Home

For Service or Assistance please call **888 775- 0202**. Or visit us on the web at **[www.mcappliance.com](http://www.mcappliance.com)** to request warranty service.