

CRAFTSMAN®

PROFESSIONAL

Owner's Manual
Model No. 875.199860

1/2-in. Composite Impact Wrench



Unpacking

When unpacking this product, carefully inspect for any damage that may have occurred during transit. Make sure any loose fittings, bolts, etc. are tightened before putting this product into service.

WARNING: Please read and save these safety and operating instructions. Read carefully before attempting to assemble, install, operate or maintain the product described. Protect yourself and others by observing all safety information. Failure to comply with instructions could result in personal injury and/or property damage! Retain instructions for future reference.

Sears, Roebuck and Co., Hoffman Estates, IL 60179
www.CRAFTSMAN.com

Table of Contents

- ◆ Features & Benefits
- ◆ Specifications
- ◆ Product Warranty
- ◆ Compressor Requirements
- ◆ Important Safety Instructions
- ◆ Installation and Operation
- ◆ Maintenance
- ◆ Exploded View Drawing & Parts List
- ◆ Troubleshooting

Features & Benefits

The Craftsman Model 875.199860 1/2-in. composite impact wrench features a hard hitting, twin hammer design that produces 500 ft. lbs. of maximum torque. Exceptionally fast 1,850 impacts per minute and 9,500 RPM free speed gets the job done quickly. High impact resistant composite housing and magnesium hammer case weighs only 3.5 lbs.

Specifications

Drive size 1/2"
 Impacts per minute 1,850 IPM
 Free speed (No Load) 9,500 RPM
 Ultimate torque 500 ft. lbs.
 Weight 3.5 lbs.
 Overall length 5-7/8 in.
 Average air consumption 4.6 SCFM
 Recommended hose size 3/8" I.D.
 Air inlet 1/4" NPT
 Maximum Air Pressure 90 PSI

Warranty

ONE YEAR FULL WARRANTY ON CRAFTSMAN TOOL

If this Craftsman tool fails to give complete satisfaction within one year from the date of purchase, RETURN IT TO ANY SEARS STORE OR PARTS & REPAIR CENTER OR OTHER CRAFTSMAN OUTLET IN THE UNITED STATES FOR FREE REPAIR (or replacement if repair proves impossible).

If this Craftsman tool is ever used for commercial or rental purposes, this warranty applies for only 90 days from the date of purchase.

This warranty does not include expendable parts, such as lamps, batteries, bits or blades.

This warranty gives you specific legal rights, and you may also have other rights which vary from state to state.

**Sears, Roebuck and Co.,
 Hoffman Estates, IL 60179**

Min. Compressor Requirements

Light Use - 26 Gallon

Typical Use - 33 Gallon

Heavy Use - 60 Gallon Professional

Important Safety Instructions

Read Operating Instructions

Please become familiar with all the instructions and warnings before operating any pneumatic tool.

Always Wear Approved Eye Protection

Impact resistant eye protection should meet or exceed the standards set forth in ANSI Z87.1, Occupational and Educational Eye and Face Protection. Look for marking Z87.1 on your eye protection to ensure that it is an approved style.

Hearing Protection is Recommended

Hearing protection should be used when the noise level exposure equals or exceeds an 8 hour time-weighted average sound level of 85dBA. Process noise, reflective surfaces, other tools being operated nearby, all add to the noise level in a given work area. If you are unable to determine your noise level exposure, we recommend the use of hearing protection.

Avoid Prolonged Exposure to Vibration

Pneumatic tools can vibrate during use. Prolonged exposure to vibration or very repetitive hand and arm movements can cause injury. Discontinue the use of any tool if you experience tingling, numbness, discomfort or pain in your hands or arms. You should consult your physician before resuming use of tool.

90 PSI Maximum

This tool is designed to operate at an air pressure of 90 pounds per square inch gauge pressure (90 PSI) maximum, at the tool. Use of higher air pressure can, and may cause injury. Also, the use of higher air pressure places the internal components under loads and stresses they were not designed for, causing premature tool failure.



California Prop 65

Some dust created by power sanding, sawing, grinding, drilling and other construction activities contains chemicals known to cause cancer, birth defects or other reproductive harm. Some examples of these chemicals are:

Lead from lead based paint, crystalline silica from bricks and cement and other masonry products, arsenic and chromium from chemically-treated lumber.

Your risk from those exposures varies, depending on how often you do this type of work. To reduce your exposure to these chemicals: work in a well ventilated area, and work with approved safety equipment, such as dust masks that are specifically designed to filter out microscopic particles.

Disconnect the air tool from air supply before changing tools or attachments, servicing and during non-operation.

Do not wear loose fitting clothing, scarves, or neck ties in work area. Loose clothing may become caught in moving parts and result in serious personal injury.

Do not wear jewelry when operating any tool. Jewelry may become caught in moving parts and result in serious personal injury.

Do not depress trigger when connecting the air supply hose.

Never trigger the tool when not applied to a work object.

Attachments must be securely attached. Loose attachments can cause serious injury.

Protect air lines from damage or puncture.

Never point an air tool at oneself or any other person. Serious injury could occur.

Check air hoses for weak or worn conditions before each use. Make sure all connections are secure.

CAUTION

Release all pressure from the system before attempting to install, service, relocate or perform any maintenance.

Keep all nuts, bolts and screws tight and ensure equipment is in safe working condition.

WARNING

Use attachments designed for use with air powered tool. Always examine accessories before mounting for chips, cracks, or signs of damage.

Never use mounted points or other accessories that have been dropped or exposed to water, solvent or extreme temperature changes. It is a good practice to operate the tool in a protected enclosure for one minute after mounting any accessory.

WARNING

Always use accessories with an RPM rating that meets or exceeds the tool RPM rating.

WARNING

Never carry a tool by the hose or pull the hose to move the tool or a compressor. Keep hoses away from heat, oil and sharp edges. Replace any hose that is damaged, weak or worn.

WARNING



Inhalation hazard: Abrasive tools, such as grinders, sanders and cut-off tools generate dust and abrasive materials which can be harmful to human lungs and respiratory system. Always wear MSHA/NIOSH approved, properly fitting face mask or respirator when using such tools.

Some materials such as adhesives and tar, contain chemicals whose vapors could cause serious injury with prolonged exposure. Always work in a clean, dry, well ventilated area.

WARNING



Tools which contain moving elements, or drive other moving tools, such as grinding wheels, sockets, sanding discs, etc., can become entangled in hair, clothing, jewelry and other loose objects, resulting in severe injury.

Never wear loose fitting apparel which contains loose straps or ties, that could become tangled in moving parts of the tool. Remove any jewelry, watches, etc., which might become caught by the tool. Keep hands away from moving parts. Tie up or cover long hair.

WARNING

Improperly maintained tools and accessories can cause serious injury. Maintain the tool with care. A properly maintained tool, with sharp cutting edges, reduces the risk of binding and is easier to control.

There is a risk of bursting if the tool is damaged. Check for misalignment or binding of moving parts, breakage of parts and any other condition that affects the tool's operation. If damaged, have the tool serviced before using.

WARNING

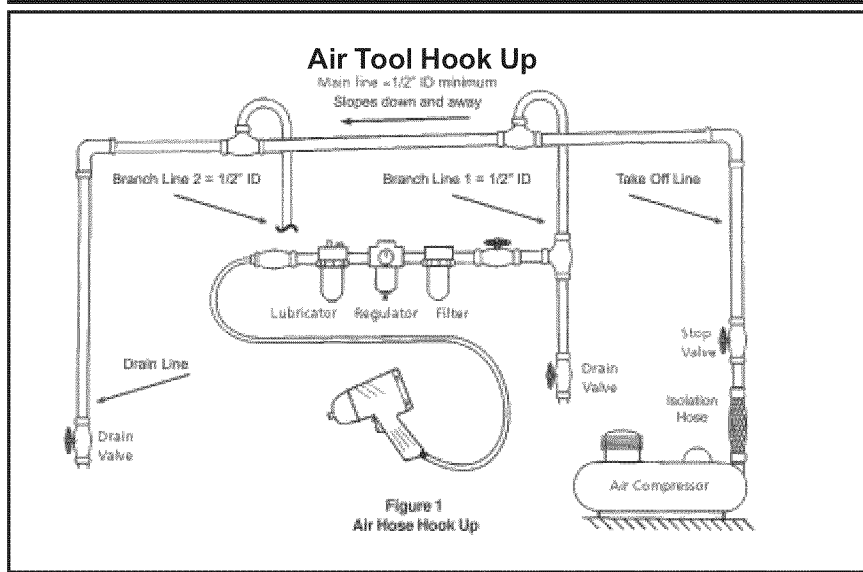
Tools which cut, shear, drill, staple, punch, chisel, etc. are capable of causing serious injury. Keep the working part of the tool away from hands and body.

WARNING

After an air tool has been lubricated, oil will discharge through the exhaust port during the first few seconds of operation. Thus, the exhaust port must be covered with a towel before applying air pressure.

WARNING

Use Only Impact Sockets & Accessories Only use sockets designated "FOR USE WITH IMPACT WRENCHES." Hand tool sockets can break, creating a hazard from flying pieces. Always check sockets, retainers and drives regularly for wear or damage and replace when necessary.



Pre-Operation /Installation

Before the tool is connected to the air supply, clear the air hose of accumulated dust and moisture by running air freely through the air hose for 5-10 seconds.

Air Hoses for your Air Tools

Figure 1 illustrates a recommended air hose hook up.

A 3/8 inch ID air hose is required up to a length of 25 feet. A 3/8 inch ID hose longer than 25 feet will cause a pressure drop and may impede performance. If more length is required, a 1/2 inch ID air hose is recommended. Be sure all hoses and fittings are the correct size and correctly secured before using the tool.

Never carry a tool by the hose or pull the hose to move the tool or a compressor. Keep hoses away from heat, oil and sharp edges. Replace any hose that is damaged, weak or worn.

Small (home) shop hard piping:

A piping diagram for a typical home shop is shown. Some helpful tips are:

- Always use hoses and pipes rated for higher pressure than your system will encounter.
- Never use PVC pipes for compressed air piping systems as explosion and serious injury may result.
- The connection from the compressor to the initial take-off hard pipe must

Operation

This tool features a power regulator valve (fig. 2). Rotate regulator until desired output is achieved. The settings on the regulator are only for reference and do not denote a specific power output. Turn regulator to the position with the lower number being the least amount of power and larger number being the most amount of power.

FW/REV button to control direction. (Fig 2-1)

- be a flexible hose in order to isolate movement of the compressor.
- Route the initial take-off line (pipe) as straight up the shop wall and as high as possible. This will help minimize water leaving the compressor and traveling through system
- Slope the main lines down at least 3/4 inch per 10 feet of pipe away from air compressor; this will draw the condensate with the flow of air and away from the compressor.
- Place the first drop as far from the compressor as the size of your shop will allow (50 feet is optimal, although unrealistic for a small shop). The further the drop, the more that condensation can occur, and the drier the air will be when it reaches the water separator.

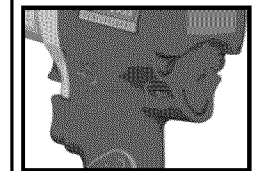
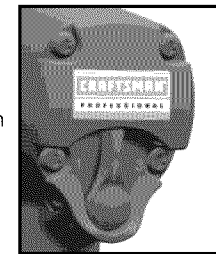


Figure 2-1 Forward / Reverse Button

Figure 2 Regulator Valve

WARNING

Once a bolt or fastener is seated, impacting for longer than five (5) seconds will cause excessive wear and possible damage to the impacting mechanism. If it takes longer than five seconds to tighten or loosen your bolt or fastener, we recommend the use of a larger size impact wrench.

- In order to reduce the amount of water and contaminants that get into the water separator, install the take-off line on the top of the main air supply line for each air drop.
- A drain line should be placed at the end of the main line for condensate drainage.
- Drain valves should be placed at the end of branch lines and the drain line, and drained daily.

Maintenance

Lubrication

An in-line filter-regulator-lubricator (fig 1) is recommended as it increases tool life and keeps the tool in sustained operation. The in-line lubricator should be regularly checked and filled with air tool oil. Proper adjustment of the in-line lubricator is performed by placing a sheet of paper next to the tools exhaust ports and holding the throttle open approximately 30 seconds. The lubricator is properly set when a light stain of oil collects on the paper.

Excessive amounts of oil should be avoided. In the event that it becomes necessary to store the tool for an extended period of time (overnight, weekend, etc.), it should receive a generous amount of lubrication through the air inlet (**Figure 3**). The tool should be run for approximately 30 seconds to ensure oil has been evenly distributed throughout the tool. The tool should be stored in a clean and dry environment.

Recommended Lubricants

Use air tool oil or any other high grade turbine oil containing moisture absorbent, rust inhibitors, metal wetting agents and an EP (extreme pressure) additive. See **Figure 3** for location/air inlet.

IMPACT MECHANISM LUBRICATION

The impact mechanism transfers power from the tool to a nut or bolt. Oil in the mechanism is forced out and must be replaced. Lubricate the impact mechanism one time a year; more often if a tool is used more than ten hours a week.

To lubricate and clean the impact mechanism and the front bearing:

1. Disconnect the impact wrench from the air supply.
2. Remove the slotted screw or Allen head screw (Ref. 47) from the oil port hole (**Refer to figure 3**).
3. Squeeze approximately 1 oz. of 30 weight oil through the oil port hole. Replace the screw.
4. Reconnect the air supply to the impact wrench and run for 20 to 30 seconds. Lubricate the entire impact mechanism by rotating the tool upside down and sideways while running the tool.
5. Remove the screw and hold the oil port hole over a suitable container to allow excess oil to drain. Sometimes triggering the tool when dumping the oils helps to force out the excess oil.
6. If the oil is dirty, repeat the procedure above until the oil comes out clear. Install the screw and tighten. The residual oil remaining in the impact mechanism chamber is all that is needed for proper lubrication.

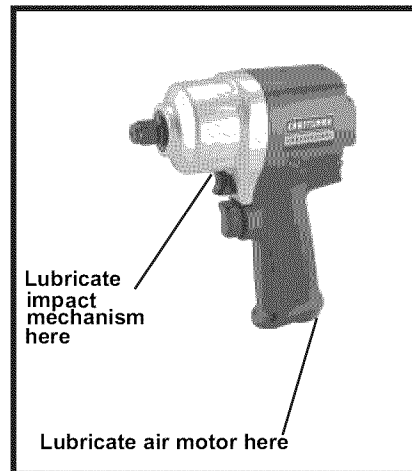
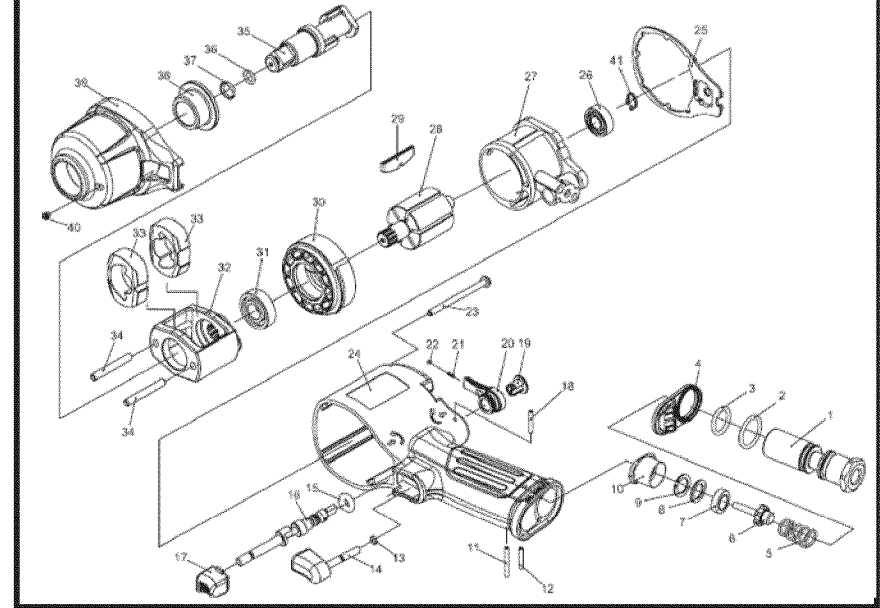


Figure 3

Exploded View Drawing



Parts List

REF	FP Part No.	Description	Q'ty	REF	FP Part No.	Description	Q'ty
1	9612801	AIR INLET	1	21	9SS0212	SPRING	1
2	9638003	O-RING	1	22	9SB0003-1	STEEL BALL	1
3	9638004	O-RING	1	23	9612825	BOLT	4
4	9638005	DEFLECTOR	1	24	9612826	MOTOR HOUSING	1
5	9638006	SPRING	1	25	9612827	GASKET	1
6	9328804V	VALVE STEM	1	26	9BR6ZZ	BALL BEARING	1
7	9328835	VALVE SEAT	1	27	9612829-AL	CYLINDER	1
8	9328825S	WASHER	1	28	9612830-1	ROTOR	1
9	9638010	RETAINER RING	1	29	9612831	BALDE	6
10	9612811	AIR CONNECTING	1	30	9612832	FRONT PLATE	1
11	9638011	SPRING PIN	1	31	9B6001	BALL BEARING	1
12	9612847	SPRING PIN	1	32	9612834	HAMMER FRAME	1
13	9OR2512	O-RING	1	33	9612835	HAMMER	2
14	9612814	TRIGGER	1	34	9612836	HAMMER PIN	2
15	9612817	O-RING	1	35	9612837	ANVIL	1
16	9612818-1	VALVE STEM	1	36	9OR7718	O-RING	1
17	9612819-BK	BUTTON	1	37	9328830-4	SOCKET RETAINER	1
18	9638046	PIN	1	38	9612840P	BUSHING	1
19	9612821-BK	FORWARD BUTTON	1	39	9612841	HAMMER CASE	1
20	9612822-BK	POWER MANAGEMENT KNOB	1	40	9638047	GREASE FITTING	1
				41	9612843	STW	1

Troubleshooting

Tool runs slow or will not operate.	1. Grit or gum in tool	1. Flush the tool with air tool oil, gum solvent, or an equal mixture of SAE 10 motor oil and kerosene. Lubricate the tool after cleaning
	2. No oil in tool	2. Lubricate the tool according to the lubrication instructions in this manual
	3. Low air pressure	3a. Adjust the regulator on the tool to the maximum setting (If applicable).
		3b. Adjust the compressor regulator to tool maximum while the tool is running free.
	4. Air hose leaks	4. Tighten and seal hose fittings if leaks are found.
5. Pressure drops	5a. Be sure the hose is the proper size. Long hoses or tools using large volumes of air may require a hose with an I.D. of 1/2" or larger depending on the total length of the hose.	
	5b. Do not use multiple number of hoses connected together with quick connect fittings. This causes additional pressure drops and reduces the tool power. Directly connect the hoses together.	

Moisture blowing out of tool	1. Water in tank	1. Drain tank. (See air compressor manual). Oil tool and run until no water is evident. Oil tool again and run 1-2 seconds.
	2. Water in the air lines/hoses	2a. Install a water separator/filter. NOTE: Separators only work properly when the air passing through the separator is cool. Locate the separator/filter as far as possible from the compressor.
		2b. Install an air dryer.
	2c. Anytime water enters the tool, the tool should be oiled immediately.	

Troubleshooting

Impacts slowly or will not impact	1. Lack of lubrication	1. Lubricate the air motor and the impact mechanism. (See Lubrication section of this manual)
	2. Tool regulator set in wrong position	2. Adjust the regulator on the tool to the maximum setting
	3. In-line regulator or compressor regulator set too low	3. Adjust regulators in the air system
Impacts rapidly but will not remove bolts	1. Worn impact mechanism	1. Replace worn impact mechanism components
	Does not impact	1. Replace broken impact mechanism components

Notes:

Llave de impacto compuesta de 1/2 pulg



Desempaquetar

Después de desempaquetar el p
examinelo cuidadosamente para
daños que pudieron haber ocurri
durante el transporte. Cercióres
apretar cualquier accesorio, per
antes de poner este producto en

ADVERTENCIA: Lea y guarde estas instrucciones de seguridad y operación. Lea detalladamente antes de tratar de ensamblar, instalar, operar o mantener el producto. Protéjase usted y protega a los demás respetando toda la información de seguridad. Incumplimiento con estas instrucciones podría resultar en una lesión personal, un o propiedad o ambos. Conserve las instrucciones como referencia futura.

Tabla de materias

- ◆ Características y operación
- ◆ Especificaciones
- ◆ Garantía del producto
- ◆ Requisitos del compresor
- ◆ Instrucciones de seguridad importantes
- ◆ Instalación y operación
- ◆ Mantenimiento
- ◆ Plano de vista despiezada y lista de piezas
- ◆ Localización y solución de fallas

Características y beneficios

La herramienta tiene un diseño de doble martillo con golpe de potencia que produce un par torsor máximo de 500 pies-libra. La herramienta tiene una velocidad excepcionalmente alta de 12,000 RPM que permite realizar el trabajo rápidamente. La caja protectora de material compuesto resistente y de alto impacto y la caja de magnesio del martillo pesan apenas 3.4 libras. Diseño muy compacto. Mide apenas 5-7/8 pulgadas, lo que permite usar la herramienta en lugares estrechos. Su interruptor de avance/reversa se puede manejar con una sola mano, lo que permite cambiar de dirección fácil y rápidamente. El control de la potencia de avance/reversa está combinado con el dial de velocidad para una mayor facilidad de operación.

Especificaciones

Tamaño del accionador 1/2"
 Impactos por minuto 1850 i.p.m.
 Velocidad libre (sin carga) 9,500 RPM
 Par torsor final 500 pies por libra
 Peso 3.5 libras
 Longitud total 5-7/8"
 Consumo promedio de aire 4.6 SCFM
 Tamaño recomendado
 para la manguera Diá. int. de 3/8 pulg
 Admisión de aire 1/4 pulg NPT
 Presión de aire máxima 90 PSI

Garantía

GARANTÍA COMPLETA POR UN AÑO DE HERRAMIENTA CRAFTSMAN

Si esta herramienta Craftsman falla en proporcionarle una satisfacción completa dentro de un año a partir de su fecha de compra, DEVUÉLVALA A CUALQUIER TIENDA O CENTRO DE PIEZAS Y REPARACIÓN DE SEARS U OTROS ESTABLECIMIENTOS DE SEARS EN LOS ESTADOS UNIDOS, PARA UNA REPARACIÓN GRATIS (o reemplazo si la reparación es imposible).

Si esta herramienta Craftsman alguna vez se usa para fines comerciales o de alquiler, esta garantía se aplica solamente por 90 días a partir de la fecha de compra. Esta garantía no incluye las piezas consumibles, como lámparas, baterías, brocas u hojas.

Esta garantía le proporciona derechos legales específicos, y usted puede tener también otros derechos que varían de estado a estado.

Sears, Roebuck and Co.,
 Hoffman Estates, IL 60179, EE.UU.

Requisitos mínimos del compresor

Poco uso - 26 galones

Uso regular - 33 galones

Uso pesado - 60 galones profesional

Instrucciones de seguridad importantes

Lea las instrucciones de operación

Familiarícese con todas las instrucciones y advertencias antes de usar cualquiera herramienta neumática.

Use siempre protección adecuada para los ojos

La protección ocular resistente al impacto deberá satisfacer o superar las normas especificadas en ANSI Z87.1, bajo el título Protección ocular y facial ocupacional y educativa. Busque la marca Z87.1 en su protector de los ojos para asegurar que es un estilo aprobado.

Se recomienda protección de los oídos

La protección de los oídos debe usarse cuando la exposición de nivel de sonido iguala o excede un nivel promedio ponderado por tiempo, de 8 horas, de 85dBA. El ruido del proceso, superficies reflectoras, otras herramientas operadas en la cercanía, todos agregan al nivel de ruido en un área determinada de trabajo. Si no es posible determinar la exposición al nivel de ruido, se recomienda usar protección auditiva.

Evite la exposición prolongada a la vibración.

Las herramientas neumáticas pueden vibrar durante su uso. La exposición prolongada a las vibraciones o los movimientos muy repetidos de manos y brazos pueden causar lesiones. Interrumpa el uso de cualquier herramienta si experimenta cosquilleo, adormecimiento, malestar o dolor en las manos o brazos. Deberá consultar con su médico antes de seguir usando la herramienta.

90 PSIG MÁXIMO

Esta herramienta está diseñada para operar a una presión neumática máxima de 90 libras por pulgada cuadrada (90 PSI), en la herramienta. El uso de una presión de aire mayor puede y puede causar lesiones. También, el uso de una presión neumática mayor somete a los componentes internos a cargas y esfuerzos para las cuales no fueron diseñados, causando una falla prematura de la herramienta.



ADVERTENCIA

Proyecto de ley 65 de California
Algunos polvos creados por el uso de esta herramienta, como el polvo de aserrado, desgastado, taladrado y actividades de construcción con sustancias químicas conocidas como causantes de cáncer, defectos de nacimiento u otras lesiones en el sistema de reproducción. Algunos ejemplos de esas sustancias químicas que pueden ser dañinas son:

Plomo de pinturas que contienen silíce cristalino de ladrillos, cerámicos y otros productos de albañilería y cromo de madera químicamente tratada

Su riesgo de esas exposiciones depende de cuan a menudo efectúa este tipo de trabajo. Para reducir su exposición a estos materiales, asegure que el área de trabajo sea en un área bien ventilada y con los equipos de protección aprobados, como máscaras de polvo que estén específicamente diseñadas para proteger contra partículas microscópicas.

Desconecte la herramienta del suministro de aire antes de cambiar herramientas o accesorios, darle servicio o durante el tiempo que no esté funcionando. **No use ropa suelta**, bufandas o corbatas en el área de trabajo. La ropa suelta podría quedar atrapada en las piezas en movimiento y resultar en una lesión personal grave.

No use joyas mientras usa la herramienta. Las joyas podrían quedar atrapadas en las piezas en movimiento y resultar en una lesión personal grave. **No presione el disparador** cuando esté conectando la manguera de suministro de aire.

No apriete el disparador de la herramienta cuando no se aplique a un objeto de trabajo.

Los accesorios deben acoplarse de forma segura. Los accesorios sueltos pueden causar una lesión grave.

Proteja las líneas de aire contra los daños y punciones.

Nunca apunte una herramienta neumática a sus propia persona ni a ninguna otra persona. Podría ocurrir una lesión grave.

Revise las mangueras de aire en busca de condiciones débiles o de desgaste antes de cada uso. Asegúrese de que todas las conexiones estén bien afianzadas.

PRECAUCIÓN

Libere toda la presión del sistema antes de tratar de instalar, dar servicio, reubicar o realizar cualquier mantenimiento.

Mantenga todas las tuercas, pernos y tornillos apretados, y asegure que el equipo esté en condiciones de trabajo seguras.

ADVERTENCIA

Use accesorios diseñados para utilizar con la herramienta eléctrica neumática. Siempre examine los accesorios antes del montaje en busca de astillas, grietas o indicios de algún daño.

Nunca use puntos montados u otros accesorios que se han caído o se han expuesto al agua, disolventes o cambios extremos de temperatura. Es bueno usar la herramienta en un alojamiento protegido por un minuto después de montarle cualquier accesorio.

ADVERTENCIA

Siempre use accesorios clasificados para revoluciones por minutos (RPM) que cumplan o excedan con la clasificación de RPM de la herramienta.

ADVERTENCIA

Nunca lleve una herramienta por la manguera ni nunca tire de la manguera para mover una herramienta o un compresor. Mantenga las mangueras alejadas del calor, aceite y bordes afilados. Reemplace cualquier manguera que esté dañada, débil o desgastada.

ADVERTENCIA

Peligro de inhalación: Las herramientas abrasivas, como molinillos, lijadoras y herramientas de corte, generan polvo y materiales abrasivos que pueden ser dañinos para los pulmones y el sistema respiratorio de las personas. Siempre use una máscara facial o respirador con buen ajuste, que esté aprobado por MSHA/NIOSH, cuando utilice tales herramientas.



Algunos materiales, como adhesivos y alquitrán, contienen compuestos químicos cuyos vapores podrían causar una grave lesión con la exposición prolongada. Trabaje siempre en un área limpia, seca y bien ventilada.

ADVERTENCIA



Las herramientas que contienen piezas móviles, o que impulsan a otras herramientas móviles, como ruedas amoladoras, cubos, discos lijadores, etc., pueden enredarse en el pelo, ropa, joya y otros objetos sueltos, resultando en una grave lesión.

Nunca use ropa suelta que contengan correas o corbatas, que podrían quedar atrapados en las piezas móviles de la herramienta. Quítese cualquier joya, reloj, etc. que podría ser atrapado por la herramienta. Mantenga las manos alejadas de las piezas móviles. Recójase o cúbrase el pelo.

ADVERTENCIA

Las herramientas y accesorios mal mantenidos pueden causar una lesión grave. Déle mantenimiento a la herramienta con cuidado. Estas herramientas de corte con el mantenimiento adecuado, con bordes de corte afilados, reducen el riesgo de atasco y son más fáciles de controlar.

Si la herramienta está dañada existe el peligro de que explote repentinamente. Revise los desajustes o atascos de las piezas móviles, roturas de las piezas y cualquier otra condición que afecte el funcionamiento de la herramienta. Si la misma está dañada, haga que se le dé mantenimiento antes de usarla.

ADVERTENCIA

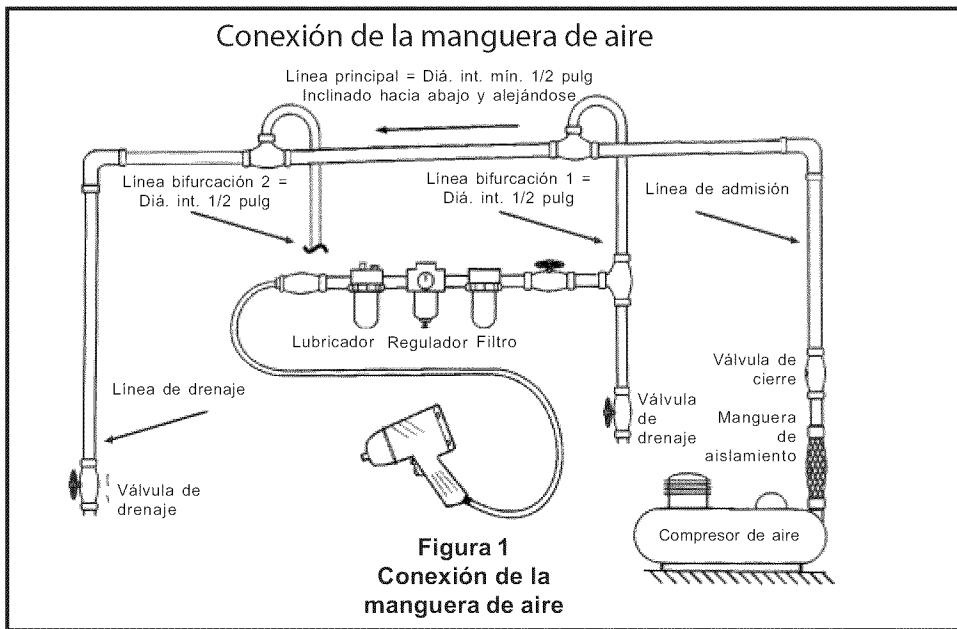
Las herramientas que cortan, cizallan, barrenan, apilan, punzonan, cincelan, etc. pueden causar una lesión grave. Mantenga la pieza de trabajo de la herramienta alejada de las manos y el cuerpo.

ADVERTENCIA

Después de lubricar la herramienta neumática, el aceite será descargado por el puerto de escape durante los primeros segundos de operación. Por lo tanto, el puerto de escape debe estar tapado con una toalla antes de aplicar presión de aire.

ADVERTENCIA

Use solamente los casquillos y accesorios clasificados para impactos **Use solamente aquellos casquillos que estén marcados como "PARA USAR CON LLAVES DE IMPACTO"**. Los casquillos para herramientas de mano pueden romperse y crear el riesgo de despedir proyectiles. Siempre verifique el estado de los casquillos, retenedores y elementos de accionamiento para detectar desgastes o averías. Reemplácelos cuando sea necesario.



Comprobaciones previas a la operación/instalación

Antes de conectar la herramienta al suministro de aire, limpie la manguera de aire para quitarle el polvo y la humedad acumulados. Hágalo pasando aire libremente por la manguera por un tiempo de 5 a 10 segundos.

Mangueras de aire para sus herramientas neumáticas

La **Figura 1** ilustra la conexión recomendada de una manguera de aire.

Se requiere una manguera neumática de un diámetro interior de 3/8 pulg hasta un largo de 25 pies. Una manguera con un diámetro interior de 3/8 pulg más larga de 25 pies causará una caída de presión, lo que podría impedir el rendimiento. Si se requiere un mayor longitud, se recomienda usar una manguera de aire de un diámetro interior de 1/2 pulg. Asegúrese de que todas las mangueras y accesorios sean del tamaño

correcto y que estén bien conectados antes de usar la herramienta neumática.

Nunca lleve una herramienta por la manguera ni nunca tire de la manguera para mover una herramienta o un compresor. Mantenga las mangueras alejadas del calor, aceite y bordes afilados. Reemplace cualquier manguera que esté dañada, débil o desgastada.

Tubería para taller pequeño (para la casa):

Se muestra un diagrama de tubería para un taller típico de una casa. Algunos consejos útiles son:

- Siempre use mangueras y tuberías que estén clasificadas para una presión mayor que la que su sistema necesitará.
- Nunca use tuberías de PVC para sistemas de tubería de aire comprimido porque pueden resultar en una explosión o una lesión grave.

Operación

- La conexión desde el compresor a la tubería rígida de admisión inicial debe ser a través de una manguera flexible para aislar el movimiento del compresor.
- Encamine la tubería de admisión inicial recta hacia arriba por la pared del taller y lo más alto posible. Esto ayudará a minimizar que el agua que sale del compresor viaje por el sistema.
- Incline hacia abajo las líneas principales por lo menos 3/4 de pulg por cada 10 pies de tubería alejándose del compresor de aire. Esto extraerá la condensación con el flujo de aire que sale del compresor.
- Coloque el primer bajante lo más lejos posible del compresor que el tamaño de su taller permita (50 pies es lo óptimo, aunque poco realista para un taller pequeño). Entre más alejado esté el bajante, mayor condensación puede ocurrir, y más seco será el aire cuando alcance el separador de agua.
- Para reducir la cantidad de agua y contaminantes que entran al separador de agua, instale la línea de admisión arriba de la línea principal de suministro de aire para cada bajante de aire.
- Se debe colocar una línea de drenaje al final de la línea principal para evacuar la condensación.
- Las válvulas de drenaje deben colocarse al final de las líneas de ramificación y la línea de drenaje, y se deben evacuar diariamente.

Esta herramienta tiene una válvula del regulador de potencia (**Fig. 2**). Gire el regulador hasta que logre la salida deseada. Los valores fijados en el regulador son solo como referencia y no denotan una salida de potencia específica. Gire el regulador a una posición donde el número más pequeño sea la menor cantidad de potencia y el número más grande sea la mayor cantidad de potencia.

El interruptor delantero e inverso para el control (fig. 2-1)

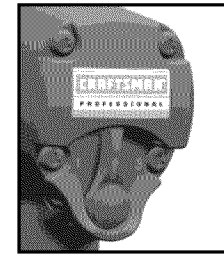


Figura 2
Válvula del regulador



Figura 2-1
Interruptor delantero e inverso

ADVERTENCIA

Una vez asentado un perno o sujetador, la acción de impactar por más de cinco (5) segundos producirá desgaste en exceso y posibles daños al mecanismo de impactación. Si tarda más de cinco segundos para ajustar o aflojar su perno o sujetador, recomendamos el uso de una llave de impacto de tamaño mayor.

Mantenimiento

Lubricación

Se recomienda usar un filtro-regulador-lubricador en línea (Fig. 1) ya que incrementa la duración de la herramienta y mantiene la herramienta en una operación sostenida. Deberá comprobar el lubricador en línea con regularidad y llenarlo con aceite para herramientas de aire comprimido. El ajuste correcto del lubricador en línea se realiza colocando una hoja de papel próxima a los orificios de escape de la herramienta y manteniendo abierto el acelerador durante 30 segundos aproximadamente. Se ajusta correctamente el lubricador cuando el papel queda manchado con una ligera mancha de aceite.

Deberán evitarse las cantidades excesivas de aceite. En caso de ser necesario almacenar la herramienta durante un largo tiempo (de la noche a la mañana, un fin de semana, etc.), deberá lubricarla abundantemente a través de la entrada de aire (Fig. 3). Deberá operar la herramienta durante 30 segundos aproximadamente para asegurar la distribución pareja del aceite en toda la herramienta. Deberá almacenarse la herramienta en un medio limpio y seco.

Lubricantes recomendados

Use un aceite de herramienta neumática u cualquier otro aceite de grado elevado de turbina que contenga absorbente de humedad, inhibidores de óxido, agentes humidificadores del metal y un aditivo EP (presión extrema). Vea la Fig. 3 para la ubicación y entrada de aire.

LUBRICACIÓN DEL MECANISMO DE IMPACTACIÓN

El mecanismo de impactación transfiere potencia desde la herramienta a una tuerca o perno. El aceite del mecanismo es forzado a que salga y debe ser reemplazado. Lubrique el mecanismo de impactación una vez al año; con más frecuencia si la herramienta se usa más de diez horas a la semana.

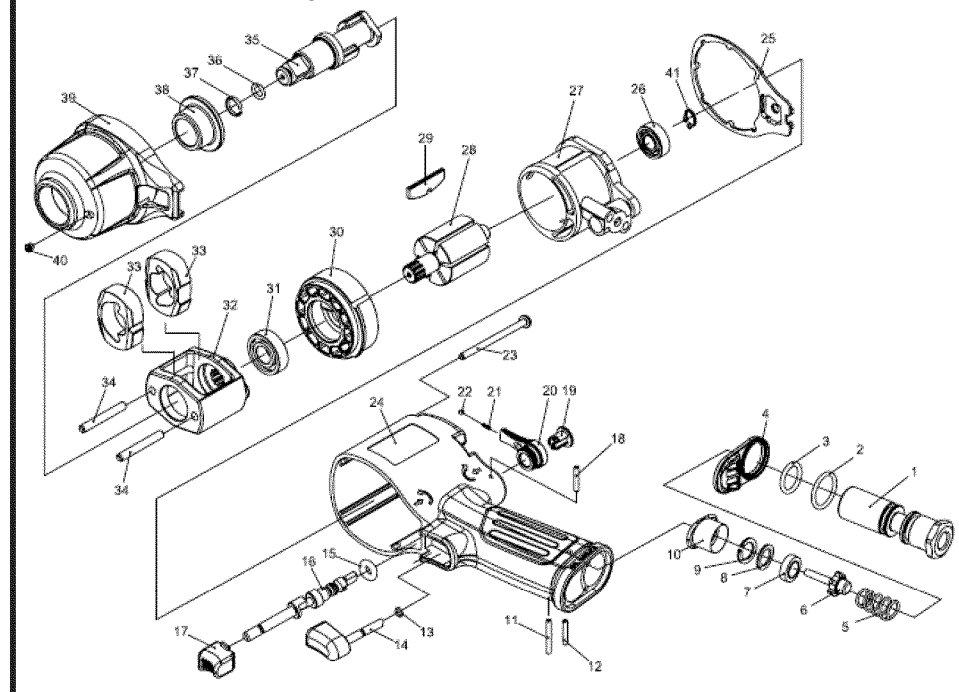
Para lubricar y limpiar el mecanismo de impactación y el cojinete frontal:

1. Desconecte la llave de impacto del suministro de aire.
2. Quite el tornillo ranurado o de cabezal Allen del orificio (Ref. No. 15) del puerto de aceite (Consulte la Figura 3).
3. Eche aproximadamente 1 onza de aceite peso 30 por el orificio del puerto de aceite. Vuelva a colocar el tornillo.
4. Reconecte el suministro de aire a la llave de impacto y deje funcionar de 20 a 30 segundos. Lubrique todo el mecanismo de impactación girando la herramienta hacia abajo y hacia los laterales mientras que funciona.
5. Quite el tornillo y sostenga el orificio del puerto del aceite sobre un recipiente adecuado para dejar que el exceso de aceite drene. A veces apretar el disparador de la herramienta mientras se deshace del aceite ayuda a la salida forzada del exceso de aceite.
6. Si el aceite está sucio, repita el procedimiento indicado arriba hasta que el aceite salga limpio. Coloque el tornillo y apriételo. El aceite residual que queda en la cámara del mecanismo de impactación es todo lo que se necesita para la buena lubricación.



Figura 3

Plano de vista despiezada



Lista de piezas

REF.	No. de pieza	Descripción	Cant.	REF.	No. de pieza	Descripción	Cant.
1	9612801	ENTRADA DE AIRE	1	21	9SS0212	RESORTE	1
2	9638003	JUNTA TÓRICA	1	22	9SB0003-1	ESFERA DE ACERO	1
3	9638004	JUNTA TÓRICA	1	23	9612825	PERNO	4
4	9638005	DEFLECTOR	1	24	9612826	CAJA PROTECTORA DEL MOTOR	1
5	9638006	RESORTE	1	25	9612827	EMPAQUE	1
6	9328804V	VÁSTAGO DE LA VÁLVULA	1	26	9BR6ZZ	RODAMIENTO DE BOLAS	1
7	9328835	ASIENTO DE LA VÁLVULA	1	27	9612829-AL	CILINDRO	1
8	9328825S	ARANDELA	1	28	9612830-1	ROTOR	1
9	9638010	ANILLO DE RETENCIÓN	1	29	9612831	PALETA	6
10	9612811	CONEXIÓN DE AIRE	1	30	9612832	PLACA DELANTERA	1
11	9638011	CLAVIJA DE RESORTE	1	31	9B6001	RODAMIENTO DE BOLAS	1
12	9612847	CLAVIJA DE RESORTE	1	32	9612834	ARMAZÓN DEL MARTILLO	1
13	90R2512	JUNTA TÓRICA	1	33	9612835	MARTILLO	2
14	9612814	GATILLO	1	34	9612836	CLAVIJA DEL MARTILLO	2
15	9612817	JUNTA TÓRICA	1	35	9612837	YUNQUE	1
16	9612818-1	VÁSTAGO DE LA VÁLVULA	1	36	90R7718	JUNTA TÓRICA	1
17	9612819-BK	BOTÓN	1	37	9328830-4	RETÉN DE CASQUILLO	1
18	9638046	CLAVIJA	1	38	9612840P	BUJE	1
19	9612821-BK	BOTÓN DE AVANCE	1	39	9612841	CAJA DEL MARTILLO	1
20	9612822-BK	PERILLA DE CONTROL DE POT	1	40	9638047	ACCESORIO PARA ENGRASE	1
				41	9612843	STW	1

Localización y solución de fallas

La herramienta funciona lentamente o no funciona.	1. En la herramienta hay polvo, arena o resina.	1. Irrigue la herramienta con aceite para herramientas neumáticas, diluyente de resinas, o una mezcla de igual proporción de aceite de motor SAE 10 y queroseno. Lubrique la herramienta después de la limpieza.
	2. En la herramienta no hay aceite.	2. Lubrique la herramienta de acuerdo a las instrucciones de lubricación indicadas en este manual.
	3. La presión del aire está baja.	3a. Ajuste el regulador de la herramienta a su valor máximo (si corresponde).
		3b. Ajuste el regulador del compresor al máximo de la herramienta mientras que la herramienta funciona libre.
	4. Fugas de la manguera de aire	4. Apriete y selle los accesorios de la manguera si ha encontrado escapes.
5. Caídas de presión.	5a. Asegúrese de que la manguera que está usando tenga el tamaño correcto. Las mangueras largas o las herramientas que usan grandes volúmenes de aire podrían requerir una manguera con un diámetro interno de 1/2 pulgada o más, dependiendo de la longitud total de la manguera. 5b. No use varias mangueras conectadas una a la otra a través de accesorios de conexión rápidos. Esto causa caídas de presión adicionales y reduce la potencia de la herramienta. Conecte las mangueras una con la otra directamente.	
Humedad sale de la herramienta	1. Agua en el tanque.	1. Drene el tanque. (Consulte el manual del compresor). Engrase la herramienta y hágala funcionar hasta que no vea agua. Engrase la herramienta otra vez y déjela funcionar de 1 a 2 segundos.
	2. Agua en las líneas de aire o mangueras.	2a. Instale un separador/filtro de agua. NOTA: Los separadores sólo funcionan bien cuando el aire que pasa por los mismos está frío. Ubique el separador/filtro lo más separado posible del compresor.
		2b. Instale un secador de aire.
		2c. Cada vez que entra agua a la herramienta, la herramienta debe engrasarse inmediatamente.

Localización y solución de fallas

Impactos lentos o no hay impacto en lo absoluto.	1. Falta de lubricación.	1. Lubrique el motor del aire y el mecanismo de impactación. (Consulte la sección Lubricación de este manual).
	2. El regulador de la herramienta está puesto en la posición incorrecta.	2. Ajuste el regulador de la herramienta a su valor máximo.
	3. Regulador en línea o regulador del compresor fijado muy bajo	3. Ajuste los reguladores del sistema de aire.
Proyecta impactos rápidamente pero no quita los pernos.	1. Mecanismo de impactación desgastado.	1. Reemplace los componentes desgastados del mecanismo de impactación.
	No da impactos	1. Mecanismo de impactación roto.

Notas:

Get it fixed, at your home or ours!

Your Home

For repair – **in your home** – of **all** major brand appliances, lawn and garden equipment, or heating and cooling systems, **no matter who made it, no matter who sold it!**

For the replacement parts, accessories and owner's manuals that you need to do-it-yourself.

For Sears professional installation of home appliances and items like garage door openers and water heaters.

1-800-4-MY-HOME® (1-800-469-4663)

Call anytime, day or night (U.S.A. and Canada)

www.sears.com www.sears.ca

For expert home solutions advice: www.managemyhome.com

Our Home

For repair of carry-in items like vacuums, lawn equipment, and electronics, call or go on-line for the location of your nearest

Sears Parts & Repair Service Center

1-800-488-1222 (U.S.A.) **1-800-469-4663** (Canada)

Call anytime, day or night

www.sears.com www.sears.ca

To purchase a protection agreement on a product serviced by Sears:

1-800-827-6655 (U.S.A.)

1-800-361-6665 (Canada)

Para pedir servicio de reparación a domicilio, y para ordenar piezas:

1-888-SU-HOGAR®
(1-888-784-6427)

Au Canada pour service en français:

1-800-LE-FOYER^{MC}
(1-800-533-6937)
www.sears.ca



® Registered Trademark / ™ Trademark / SM Service Mark of Sears Brands, LLC
© Marca Registrada / ™ Marca de Fábrica / SM Marca de Servicio de Sears Brands, LLC
MC Marque de commerce / MD Marque déposée de Sears Brands, LLC

© Sears Brands, LLC