



# Installation Instructions

## Outdoor Refrigerator

*For use with models:*

*OF24LS, OF24RS*

**All specifications subject to change without notice.  
Dacor® assumes no liability changes to specifications.**

# TABLE OF CONTENTS

<b>Important Safety Instructions</b> .....	<b>1</b>	<b>Installation Instructions</b> .....	<b>3-4</b>
<b>Customer Service Information</b> .....	<b>2</b>	Unpacking the Appliance .....	3
<b>Planning the Installation</b> .....	<b>2-3</b>	Tools Required for Installation .....	3
Electrical Requirements .....	2	Installation .....	4
Location Requirements .....	3	Handle Installation .....	4
Dimensions .....	3	Installation Checklist .....	4

## IMPORTANT:




- ◇ **INSTALLER:** In the interest of safety and to minimize problems, read these installation instructions completely and carefully before you begin the installation process. Leave these installation instructions with the customer.
- ◇ **CUSTOMER:** Keep these installation instructions for future reference and the local electrical inspector's use.

# IMPORTANT SAFETY INSTRUCTIONS


## Important Information About Safety Instructions


- ◇ The **Important Safety Instructions** and warnings in this manual are not meant to cover all possible problems and conditions that can occur. Use common sense and caution when installing, maintaining or operating this or any other appliance.
- ◇ Always contact the Dacor Customer Service Team about problems and conditions that you don't understand.

## Safety Symbols and Labels

 <b>DANGER</b>
Immediate hazards that <b>WILL</b> result in severe personal injury or death.
 <b>WARNING</b>
Hazards or unsafe practices that <b>COULD</b> result in severe personal injury or death.
 <b>CAUTION</b>
Hazards or unsafe practices that <b>COULD</b> result in minor personal injury or property damage.

To reduce the risk of fire, electric shock, serious injury, or death when installing or using this appliance, follow basic safety precautions, including the following:

 <b>DANGER</b>
<p><b>IMPORTANT:</b> To prevent child entrapment and suffocation, when discarding an old appliance:</p> <ul style="list-style-type: none"> <li>• Remove off the door(s).</li> <li>• Leave the shelves in place so children can not easily climb inside.</li> <li>• Cut the prongs off the power plug and discard them.</li> <li>• Cut the power cable off and discard it separately from the old appliance.</li> </ul> <p><b>IMPORTANT:</b> To avoid fire or explosion, do not operate the appliance in the presence of explosive materials or fumes, such as gasoline.</p>

 <b>WARNING</b>
<ul style="list-style-type: none"> <li>• This appliance is to be installed only by a qualified installer according to these installation instructions.</li> <li>• Use this appliance only according to the accompanying use and care manual. This appliance is not intended for commercial use.</li> <li>• Only a qualified service technician should service this appliance, unless the service procedure is specifically recommended in the literature accompanying it. Before performing any type of service, disconnect the unit at the electrical outlet.</li> <li>• Never allow anyone, including children to sit, stand or climb on any part of the appliance, including the door. Doing so may cause, damage, serious injury or death.</li> <li>• Do not tamper with the controls.</li> <li>• Do not allow the ventilation grill below the door to become obstructed. Make sure there is always good ventilation in front of the appliance.</li> <li>• If "F0" or "F1" appears on the display, a fault has occurred. Unplug the appliance and contact Dacor customer service.</li> </ul>

**READ AND SAVE THESE INSTRUCTIONS**

# CUSTOMER SERVICE INFORMATION

**Any questions or problems not related to installation should be directed to your Dacor dealer or the Dacor Customer Service Team.**

Dacor Customer Service Team

1 (800) 793-0093 (U.S.A. and Canada)

Monday — Friday 6:00 AM to 5:00 PM Pacific Time

Web site: [www.Dacor.com](http://www.Dacor.com)

If the unit requires service, be sure to have the model and serial number available when you call. You'll find these numbers on the serial number plate located inside the door on the lower left side wall.

*All Dacor appliances are subject to continuous improvement. The manufacturer reserves the right to make modifications in the shape, equipment and technology.*

## PLANNING THE INSTALLATION

### WARNING

Observe all governing codes and ordinances during planning and installation.

## Electrical Requirements

### WARNING

**ELECTRIC SHOCK HAZARD** – Plug this unit only into a grounded 3-prong electrical outlet.

- Do not remove the ground prong.
- Do not use a 2-prong adapter.
- Do not use an extension cord.
- Do not use a power cord that is frayed or damaged.

Failure to comply with the above can result in fire, electric shock, or death.

The electrical outlet for this appliance must only be installed by a licensed electrician.

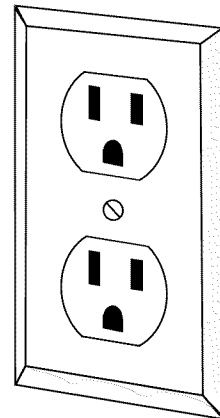
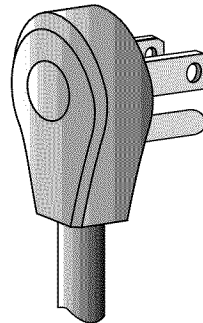
This appliance must have its own separate, 120 Vac, 15 Amp grounded circuit installed by a licensed electrician and controlled by a circuit breaker or fuse. Follow the National Electrical Code and local codes and ordinances when installing the electrical outlet.

The electrical outlet must accept a grounded 3-prong power cord. A ground fault circuit interrupter (GFCI) type is not recommended because it may cause interruption of operation. See **Location and Cabinet Layout Requirements** for guidelines regarding location of the electrical outlet.

This appliance complies with current safety regulations UL250 and CSA C22.2 #63. It is designed to cool and store food and beverages.

The refrigerant system on this appliance has been tested for leaks.

Power supply cord with three-prong grounding plug



Grounded type electrical outlet (GFI not recommended)

# PLANNING THE INSTALLATION

## Location Requirements

### Operating Environment

- ◇ Do not operate this appliance near an oven, range top, radiator or similar heat source. For best performance, do not place this appliance where it will be hit by direct sunlight or exposed to extreme weather conditions.
- ◇ This appliance is designed to operate outdoors. It is set to operate within the ambient temperature limits listed below. These temperature limits should not be exceeded.

#### AMBIENT TEMPERATURE REQUIREMENTS FOR PROPER OPERATION

50°F to 109°F (11°C to 42°C)

### Enclosed Cabinet or Under-Counter-Top Layout Requirements

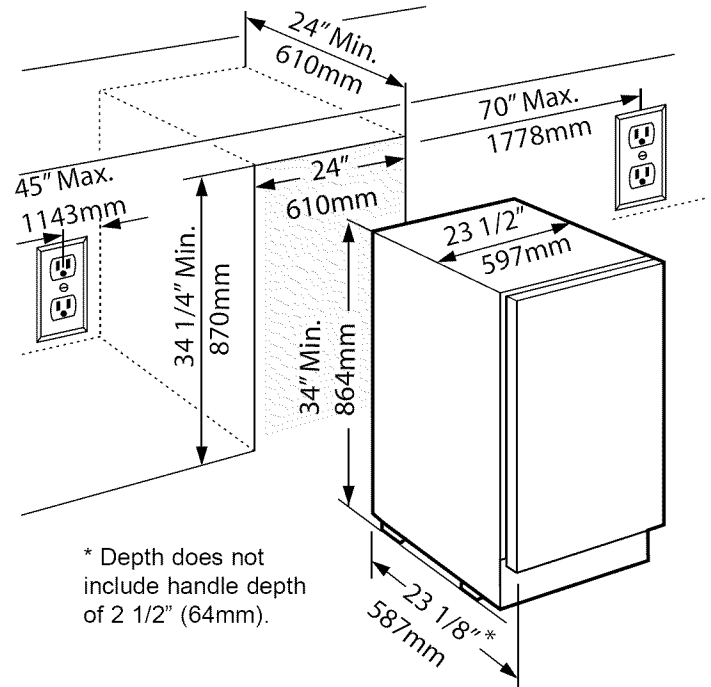
The Dacor outdoor refrigerator can be recessed within an opening between cabinets or placed under a counter-top if desired.

#### IMPORTANT:

- ◇ The installation location should permit the door to open a minimum of 90°. The maximum angle the door can open is 105°.
- ◇ The appliance must be located so that the grill on the bottom is not obstructed.
- ◇ The electrical outlet must be accessible after installation so that the user can unplug the appliance.
- ◇ The floor under the appliance must be flat and level with the surrounding floor.
- ◇ If installing the unit in a cutout, make a hole in the side of the cutout to allow the power cord to pass through to the electrical outlet.

## Dimensions

**NOTE:** The overall height of the appliance can be increased by ½" (12.7 mm) by adjusting the feet. The minimum cutout dimensions below allow for additional clearance for sliding the appliance into a recess based on how you choose the final installation to look.



Cabinet Cutout/Counter-top and Product Dimensions

# INSTALLATION INSTRUCTIONS

## Unpacking the Appliance

### ⚠ WARNING

- If you receive a damaged product, immediately contact your dealer or builder. Do not install or use a damaged appliance.
- To prevent personal injury, property damage or damage to the unit, this appliance should only be unpacked and moved by two people.
- Keep packaging materials away from children. Plastic sheets and bags can cause suffocation.
- To protect the appliance from possible damage, allow it to stand in place 1/2 to 1 hour after delivery before connecting power. Doing so allows the refrigerant and system lubrication to reach equilibrium.

- ◇ Protect the floor surface before you remove the unit from the box. Put it on cardboard, plywood or preferably a carpet remnant (backing up) placed on the floor.
- ◇ Keep the floor protected when moving the appliance.

## Tools Required for Installation

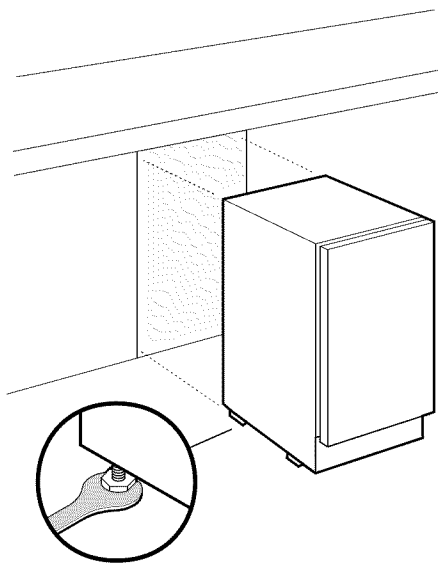
Make sure that you have the necessary tools and materials available for a proper installation.

- ◇ Level
- ◇ Crescent wrench
- ◇ Allen wrench (included)
- ◇ 2 Set screws (included)
- ◇ Handle (included)

# INSTALLATION INSTRUCTIONS

## Installation

1. Level and adjust the appliance height using the four adjustable feet on the underside of the appliance. Place the level on one of the racks inside the appliance. Check to make sure it is level front to back and side to side. Re-adjust the feet if necessary. Make sure all four feet hit the floor and that the unit does not rock.



2. Peel the protective plastic coating off the outside of the refrigerator.
3. If installing the unit into a cutout, insert the power cord into the hole previously made in the side of the cutout and pull all the slack through it. Slide the appliance into the cutout.
4. Connect the power cord to the electrical outlet. Turn the appliance on several hours before loading it to allow it to cool. See the use and care manual

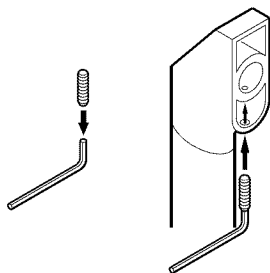
## Handle Installation

The side of the door that the handle mounts to depends on the model number.

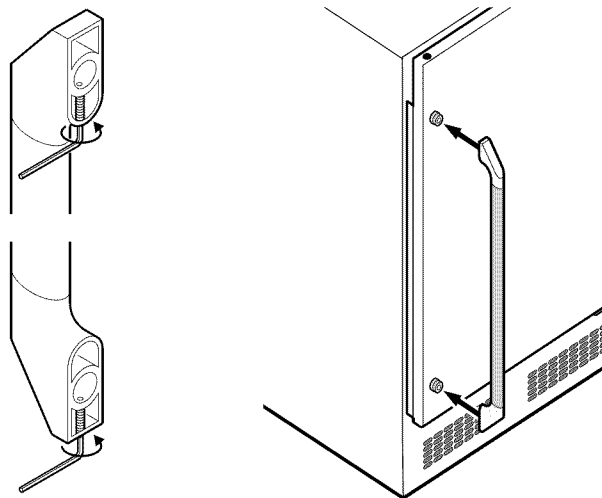
- ◇ Model OF24LS = Handle mounts on right side (door swings to left)
- ◇ Model OF24RS = Handle mounts on left side (door swings to right)

### To install the handle:

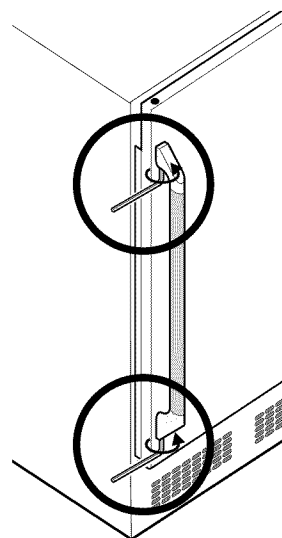
1. Put one of the included set screws on the end of the included Allen wrench.
2. Insert the set screw into one end of the handle.
3. Thread the set screw two (2) turns into the handle.



4. Repeat steps 1 to 3 for the other end of the handle.
5. Put both ends of the handle over the handle mounting pins.



6. Tighten both set screws into place. Do not overtighten.



**NOTE:** Dacor recommends cleaning the appliance according to the cleaning instructions in the use and care manual before use.

## Installation Checklist

**IMPORTANT:** The importance of the proper installation of your Dacor Built-In appliance cannot be overemphasized. To ensure a safe and proper installation, the following checklist should be completed by the installer to ensure that no part of the installation has been overlooked.

- Protective plastic coating has been removed.
- All leveling legs extend down to make contact with the floor. The unit is level.
- The power cord plugged into a properly grounded, dedicated 3-prong electrical outlet, installed in accordance with all applicable electrical codes.
- Any problems have been noted on the warranty card or during the on-line warranty activation. The warranty has been activated on-line or the warranty card has been filled out completely and mailed.

***dacor***<sup>®</sup>  
The Life of the Kitchen.<sup>®</sup>