

SEARS Installation Instructions



1.3 Cu. ft / 900W(IEC 705 Rating Standard)
MICROWAVE OVEN

Model No.

721.67600

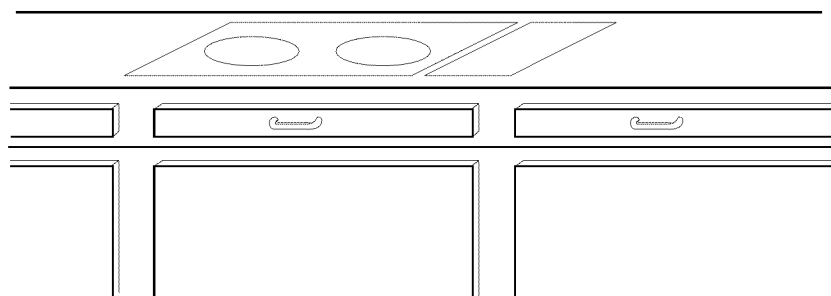
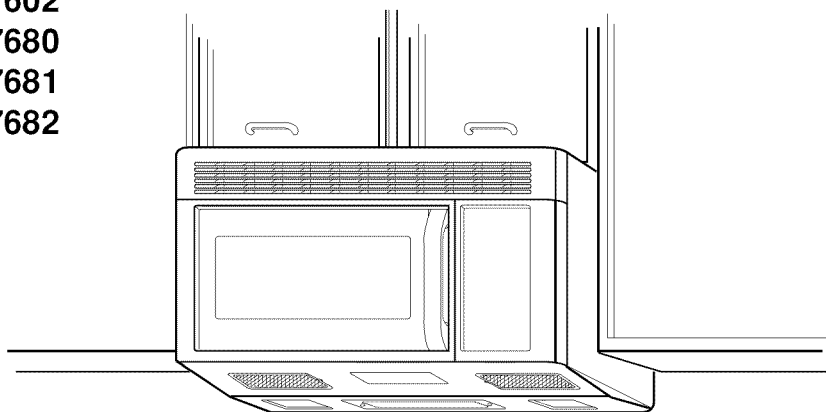
721.67601

721.67602

721.67680

721.67681

721.67682



CAUTION: Read and save these installation instructions.

Sears, Roebuck and Co., Hoffman Estates, IL. 60179 U.S.A.

ENGLISH

ESPAÑOL

YOUR SAFETY FIRST

BEFORE YOU START

- **Proper installation is the installer's responsibility!**
 - Read the entire manual before you begin. The Model number label is located on the oven front. See Figure 1. Mounting plate is located on back side of microwave oven. See Figure 2.

BE SURE TO READ THE FOLLOWING SAFETY INSTRUCTIONS:

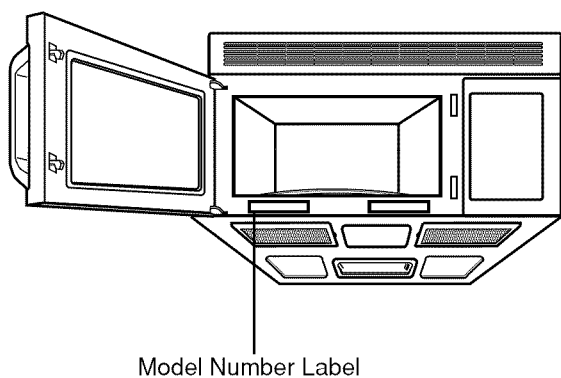


Figure 1

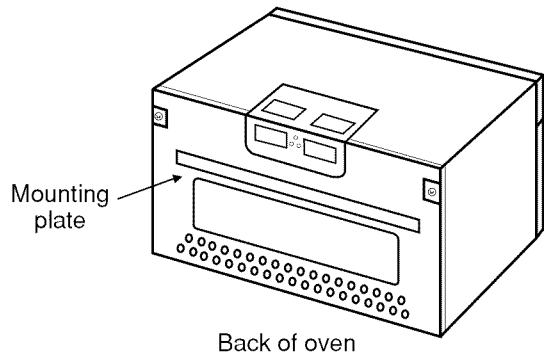


Figure 2



FOR YOUR SAFETY:

- You will need TWO people to install this oven. It is heavy and could cause personal injury if not handled properly. The dimensions of the oven are as follows:

MODEL NO : 721.67600, 721.67601, 721.67602, 721.67680, 721.67681, 721.67682

Height : 16 7/16 inches

Width : 29 15/16 inches

Depth : 15 3/8 inches

Weight : 58 pounds

- **Avoid Electrical Shock!**
 - Before you drill into the wall, note where electrical outlets are and where electrical wires might be behind concealed the wall, **YOU COULD GET AN ELECTRIC SHOCK** if you contact electrical wires with your drill bit.
 - Locate and disconnect the power of any electrical circuits that could be affected by installing this oven. **IF YOU DO NOT DISCONNECT THE POWER, YOU COULD GET AN ELECTRIC SHOCK.**
- **ELECTRICAL RATING OF THIS OVEN : 120V AC. 60 Hz.**
 - 11.9 Amps / 1350 Watts (Microwave oven only)
 - 12.9 Amps / 1500 Watts (Microwave oven + Cooktop Lamps + Ventilation Fan)
 - You need a 120volt, 60Hz, AC only, 15 or 20ampere, fused electrical supply (located in the cabinet above the microwave as close as possible to the microwave circuit) serving only the microwave.

YOUR SAFETY FIRST

- **THIS APPLIANCE MUST BE GROUNDED!**

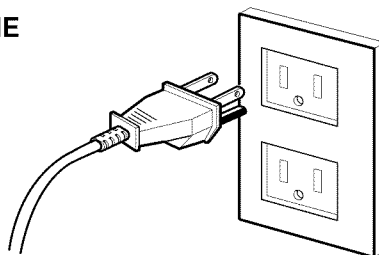
- If there is an electrical short circuit, grounding reduces the risk of electrical shock by providing an escape wire for the electric current. This appliance is equipped with a cord having a grounding wire with a grounding plug.

- Place the plug into a properly installed and grounded outlet. See Figure 3.
- Do not use an extension cord.
- Keep the power cord dry and do not pinch or crush it.

- **DO NOT, UNDER ANY CIRCUMSTANCES, REMOVE THE POWER SUPPLY CORD GROUNDING PRONG!**

This appliance **MUST** be grounded!

PROPERLY POLARIZED AND GROUNDED OUTLET



Three-Pronged (Grounding) plug

Figure 3



WARNING

If you use the grounding plug improperly, you risk electric shock!

- Check with a qualified electrician if you are not sure whether the oven is properly grounded or if you do not completely understand the grounding instructions.

DO NOT USE A FUSE IN THE NEUTRAL OR GROUNDING CIRCUIT.



WARNING

Improper grounding could result in electric shock or other personal injury.

SAVE THESE INSTRUCTIONS FOR THE LOCAL ELECTRICAL INSPECTOR'S USE.

- **DO NOT EXPOSE YOURSELF TO EXCESSIVE MICROWAVE ENERGY!**

- DO NOT try to operate the microwave oven with the door open.
- DO NOT tamper with or defeat the safety interlocks.
- DO NOT place objects between the microwave oven front face and the door.
- DO NOT allow soil or cleaner residue to build up on the flat surfaces around the microwave oven door.
- DO NOT operate the microwave oven if it is damaged.
- The microwave oven door must close properly to operate safely.
- DO NOT USE THE MICROWAVE OVEN:

- If the door is bent.
- If the hinges or latches are broken or loose.
- If the door seals, sealing surfaces or glass is broken.

- DO NOT ATTEMPT TO ADJUST OR REPAIR THE OVEN YOURSELF!

It should be adjusted and repaired by a qualified technician who can check for microwave leakage after repairing the oven.



WARNING

If you do not use the microwave oven as instructed, you could be exposed to excessive microwave energy.

YOUR SAFETY FIRST

- **MAKE SURE YOU HAVE ENOUGH SPACE AND SUPPORT.**

- Mount the oven against a flat, vertical wall, so that it is supported by the wall. The wall should be constructed of minimum 2" x 4" wood studding and 3/8" thick drywall or plaster/lath.
- ATTACH AT LEAST ONE of the two lag screws supporting the oven to a vertical, 2" x 4" wall stud.
- DO NOT mount the microwave oven to an island or peninsula cabinet.
- BE SURE the upper cabinet and rear wall structures are able to support 150 lbs., plus the weight of any items you place inside the oven or upper cabinet.
- Locate the oven away from strong draft areas, such as windows, doors, and strong heating vents.
- BE SURE you have enough space. See Figure 4 below for minimum vertical and horizontal clearance.

⚠ WARNING ⚠

If you do not mount the oven as instructed,
you risk personal injury and/or property damage.

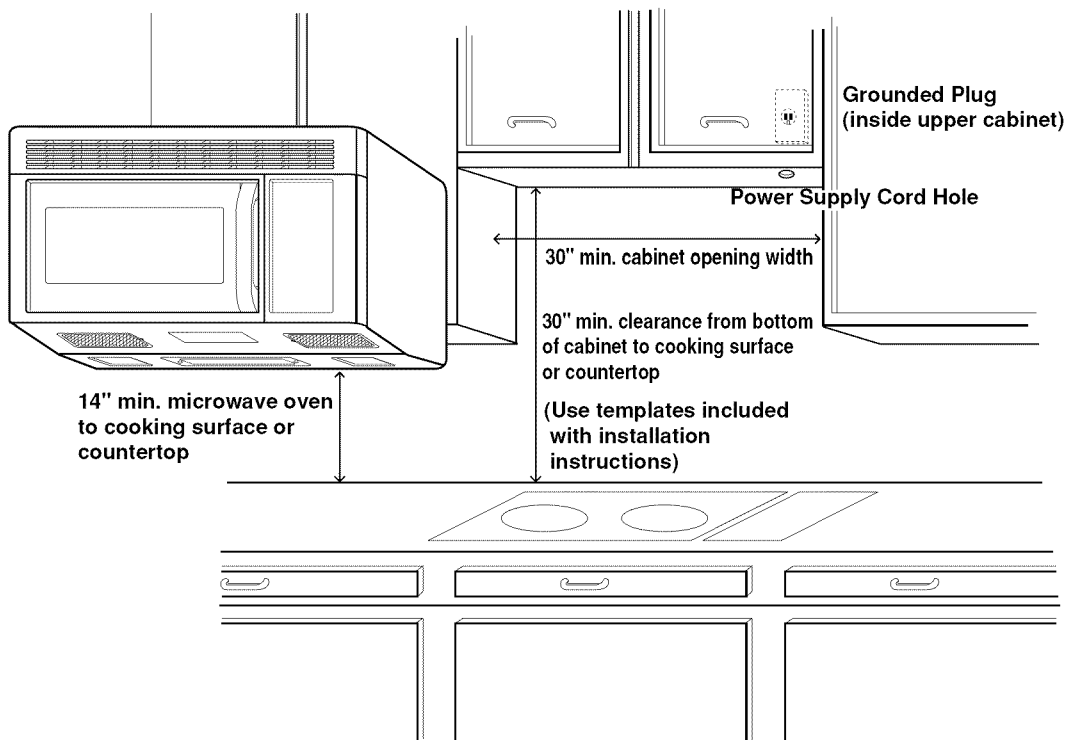


Figure 4

C A U T I O N

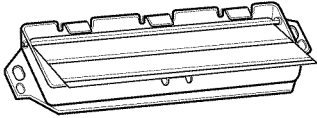
- Before you begin installing the oven, PLACE A PIECE OF THE CARTON OR OTHER HEAVY MATERIAL (a blanket) over the countertop or cooktop to protect it. **Do not use a plastic cover.** Failure to protect these surfaces could result in property damage.

PARTS, TOOLS, MATERIALS

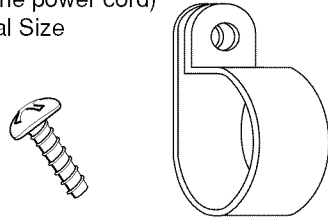
THE FOLLOWING PARTS ARE SUPPLIED WITH THE OVEN:

NOTE: Depending on your ventilation requirements, you may not use all of these parts.

Damper/duct connector
(for roof-venting or wall-venting installation)
Not Actual Size



**One power cord clamp and
One dark-colored mounting screw**
(to hold the power cord)
Actual Size



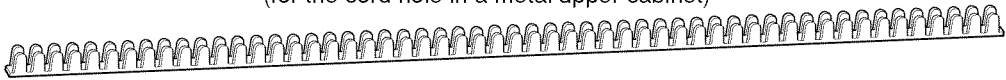
Two tapping screws - Actual Size
(for attaching the damper duct connector)



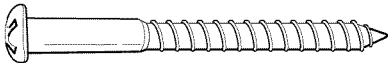
One lock pin and one washer-Not Actual size



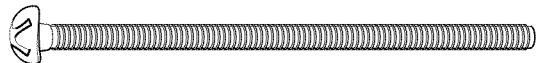
One power cord clamp bushing - Actual Size
(for the cord hole in a metal upper cabinet)



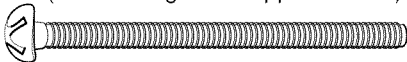
Four 1/4" x 2" lag screws - Actual Size
(for wall stud holes)



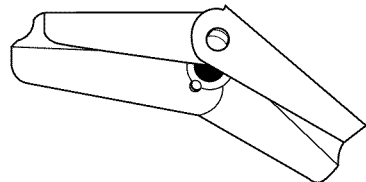
Four 1/4" x 3" toggle bolts - Actual Size
(for drywall holes)



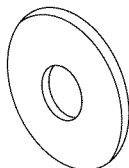
Four 1/4" x 2" bolts - Actual Size
(for securing to the upper cabinet)



Four spring toggle heads - Actual Size
(for the toggle bolts)



Two washers - Actual Size
(for the two upper cabinet bolts)



NOTE: You need to install at least one lag screw into a 2" x 4" stud and four anchor bolts into the wall and the mounting area must meet the 150 lbs. weight requirement.

PARTS, TOOLS, MATERIALS

YOU WILL NEED THE FOLLOWING TOOLS AND MATERIALS FOR THE INSTALLATION:

Carton or other heavy material for covering the counter top.

Clear tape
(for taping the templates to the wall)

Stud finder or thin nail.

Saber saw (for cutting vent
holes for roof or wall venting)

Key hole saw (for the power cord hole)

Electric drill

Phillips screwdriver (for the screws)

3/8" and 3/4" wood drill bits

Pencil

1/2" and 3/16"
drill bits

Flat blade screwdriver (for the bolts)

Plumb line

Measuring tape (metal preferred)

Duct Tape

Small side cutters or tin snips

Caulking gun

- If you have brick or masonry walls, you need special hardware and tools.
- The ductwork you need for the installation is not included. All wall and roof caps must have a back-draft damper.

STEP 1: PREPARE THE ELECTRICAL CONNECTIONS



AVOID ELECTRICAL SHOCK! THIS APPLIANCE MUST BE GROUNDED!

1. Locate the grounded electric outlet for this oven in the cabinet above the oven, as shown in Figure 4 Detail.

NOTE: The outlet should be on a circuit dedicated to the microwave oven 120volt, 60Hz., AC only, with a 15 or 20ampere fused electrical supply.

IMPORTANT: If you do not have the proper wall outlet, you MUST have one installed by a qualified electrician.

2. You will cut the power-supply-cord hole (shown in Figure 4 Detail) later when you prepare the wall and upper cabinet in Step 4.

NOTE: Do not use an extension cord.
Keep the power cord dry and do not pinch or crush it.

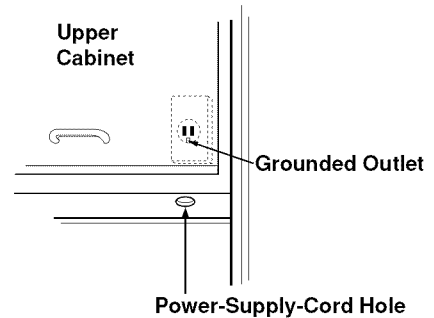


Figure 4 Detail



Improper grounding could result in electric shock or other personal injury.

- DO NOT, UNDER ANY CIRCUMSTANCES, REMOVE THE POWER SUPPLY CORD GROUNDING PRONG! This appliance MUST be grounded!

STEP 2: PREPARE THE VENTING SYSTEM

NOTE: The ductwork you need for outside ventilation is not included with your oven. The standard ductwork fittings and length Sears recommends are shown in Figure 9, page 9.



WARNING - FIRE HAZARD



THIS OVEN MUST BE PROPERLY VENTED!

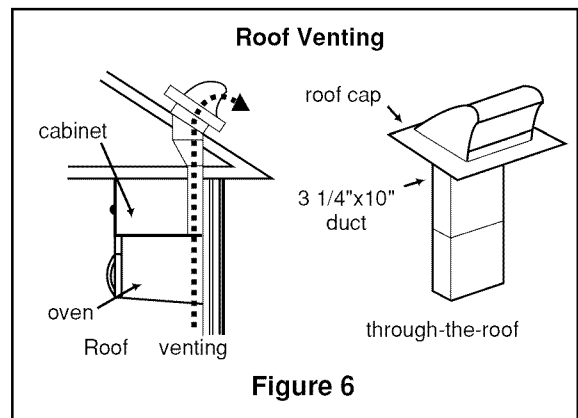
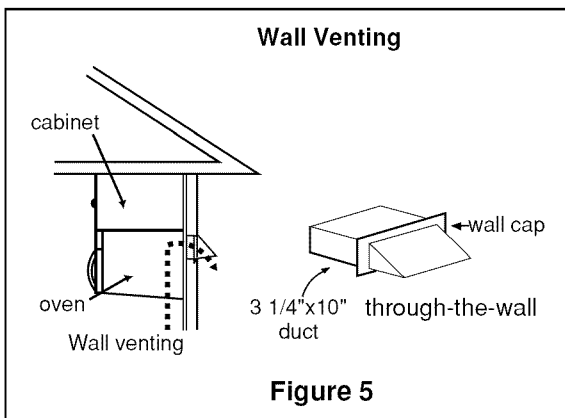
You may vent your oven in one of three ways:

Roof-venting If your oven is located on an outside wall near the roof, as in Figures 6 (3 1/4" x 10" duct) and 8 (6" round duct.)

Wall-venting If your oven is located on an outside wall on the first floor of your house, as in Figures 5 (3 1/4" x 10" duct) and 8 (6" round duct.)

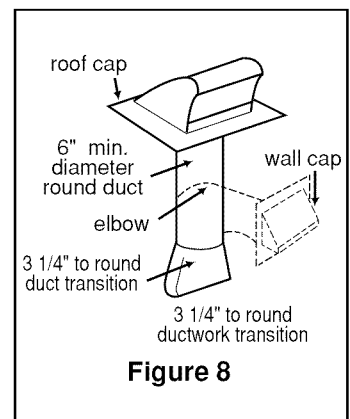
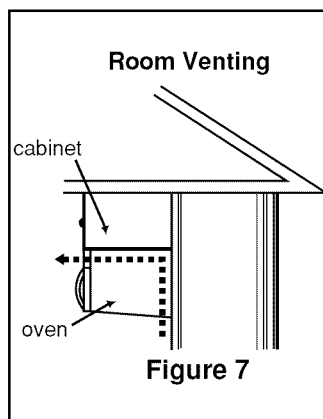
Room-venting If your oven is located on an inside wall of your house, as in Figure 7.

NOTE: If you choose the rear exhaust method (roof-or wall-venting), be sure there is enough clearance within the wall for the exhaust duct.



REMEMBER AS YOU INSTALL THE VENTING:

- Keep the length of the ductwork and the number of elbows to a minimum to ventilate your oven efficiently. See examples on page 9.
- Keep the size of the ductwork the same.
- Do not install two elbows together.
- Use duct tape to seal all joints in the duct system.
- Use caulking to seal the exterior wall or roof opening around the cap.



STEP 2: PREPARE THE VENTING SYSTEM

STANDARD FITTINGS

NOTE: If the existing duct is round, you must use a rectangular-to-round adapter, with a rectangular 3" extension duct installed between the damper assembly and the adapter to prevent the exhaust damper sticking.

DUCT LENGTH

The total length of the duct system, including straight duct, elbows, transitions, wall or roof caps **must not exceed the equivalent of 140 feet.**

For best performance, do not use more than three 90 degree elbows.

Below are the standard fittings and their equivalent length in feet.

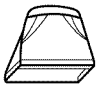

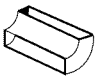

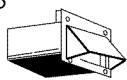

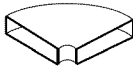
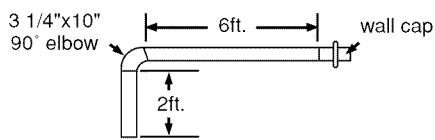
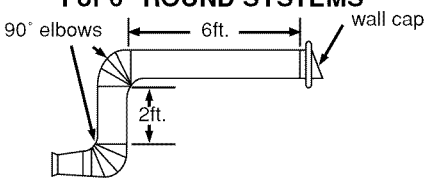
1  3 1/4"x10" to 6"=5ft.	2  3 1/4"x10" roof cap=24ft.	3  3 1/4"x10" 90° elbow=25ft.	
4  90° elbow =10ft.	5  3 1/4"x10" wall cap =40ft.	6  45° elbow =5ft.	7  3 1/4"x10" flat elbow =10ft.

Figure 9

To calculate the equivalent length of each duct piece used, see the examples below.

Examples	
<p>For 3 1/4"x10" SYSTEMS</p> 	<p>For 6" ROUND SYSTEMS</p> 
<p>6" to 3 1/4" x 10" transition = 25 ft.</p> <p>1-90° elbow = 25 ft.</p> <p>Wall Cap = 40 ft.</p> <p>8 feet straight duct = 8 ft.</p> <p>TOTAL LENGTH = 73 ft.</p>	<p>3 1/4" x 10" to 6" transition = 5 ft.</p> <p>2-90° elbows = 20 ft.</p> <p>Wall Cap = 40 ft.</p> <p>8 feet straight = 8 ft.</p> <p>TOTAL LENGTH = 73 ft.</p>

STEP 3: PREPARE THE VENTING BLOWER

Your microwave oven is shipped with the blower assembled for roof venting. You need to adjust the blower if you want wall-venting or room-vented (recirculating) installation.

WARNING **ELECTRICAL SHOCK HAZARD!**

- DO NOT PULL OR STRETCH THE BLOWER WIRING! Pulling and stretching the blower wiring could result in electrical shock.

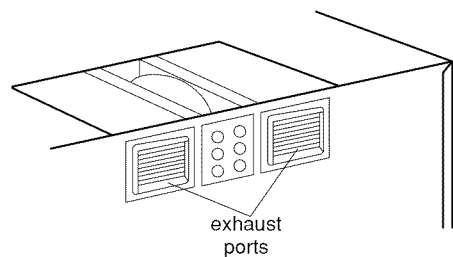
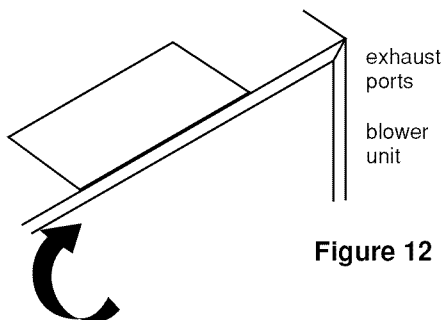
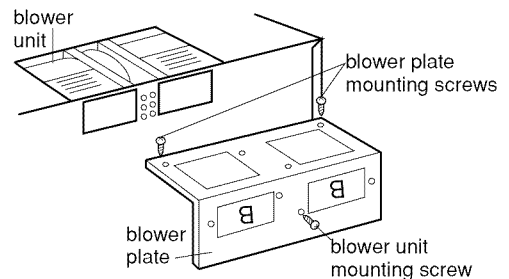
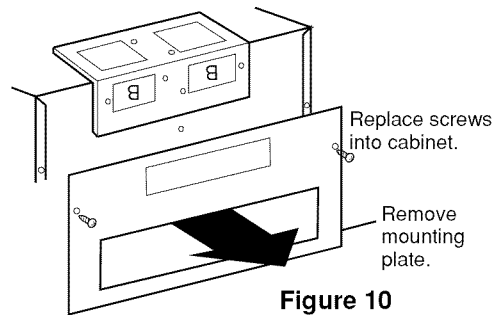
Remove two screws that attach mounting plate to microwave oven cabinet. See Figure 10. Remove mounting plate and set aside.

ROOF-VENTED INSTALLATION:

Go to STEP 4 on page 12.

WALL-VENTED INSTALLATION:

1. Remove one blower unit mounting screw and two blower plate screws. Remove the blower plate from cabinet. See Figure 11.
2. Disconnect the power plug from the oven.
3. Carefully lift the blower unit out of the microwave oven.
4. Rotate blower unit end over end. Rotate the unit 90° so that the exhaust ports face the rear of the cabinet. See Figure 12.
5. Place blower unit back into cabinet. Check that exhaust ports face the rear of the cabinet. See Figure 13.
6. Connect the power plug.
7. Use side cutters or tin snips to cut and remove knockouts marked "B" from blower plate. Discard knockouts. See Figure 14.
8. Reattach blower plate to cabinet so exhaust ports and blower plate opening are aligned. Attach with the one blower unit mounting screw and then the two blower plate mounting screws. See Figure 15.



STEP 3: PREPARE THE VENTING BLOWER

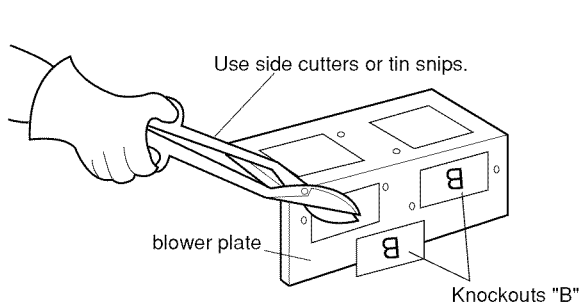


Figure 14

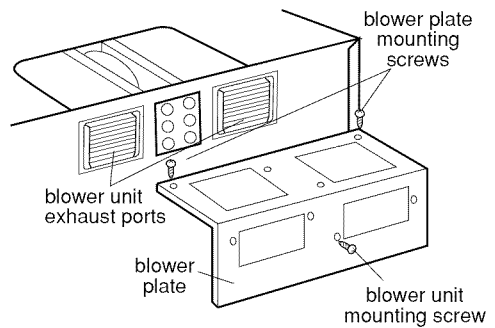


Figure 15

ROOM-VENTED (Recirculating) INSTALLATION:

1. Remove one blower unit mounting screw and two blower plate screws. Remove the blower plate from cabinet. See Figure 16.
2. Carefully lift the blower unit out of the microwave oven.
3. Rotate blower unit 90° so that the exhaust ports face the front of the cabinet. See Figure 17.
4. Place blower unit back into microwave oven.
5. Reattach blower plate to microwave oven. Attach with the one blower unit mounting screw and then the two blower plate mounting screws. See Figure 18.

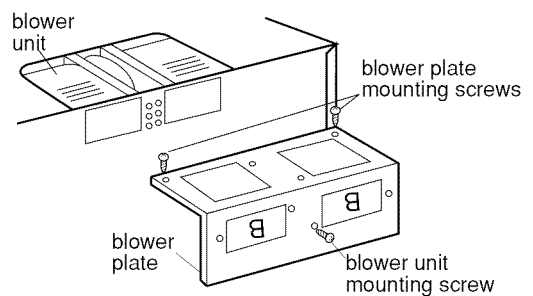


Figure 16

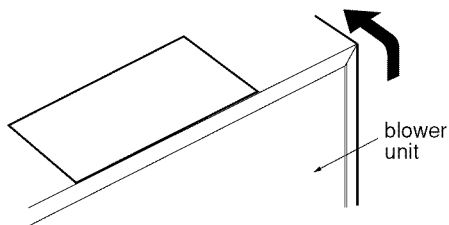


Figure 17

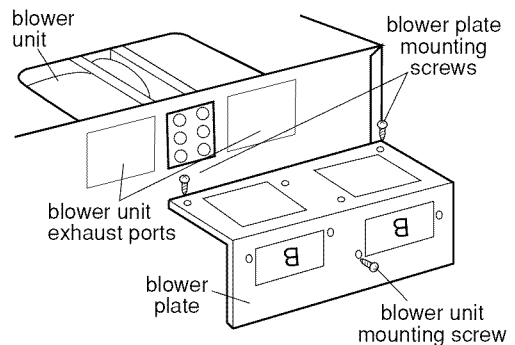


Figure 18

STEP 4: PREPARE THE WALL AND UPPER CABINET FOR INSTALLATION

BEFORE YOU START

1. Remove any shipping materials and parts from inside the microwave oven.
2. Cover the counter top or cooktop with a thick, protective covering to protect it from damage and dirt. See Figure 19.

NOTE: If you have a free-standing range, disconnect it, move it onto a piece of cardboard or hardboard and pull it away from the wall, so that you can get closer to the upper cabinet and back wall for easier measuring and drilling.

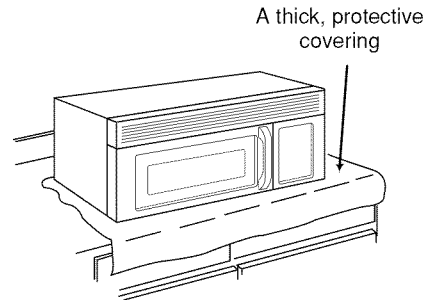


Figure 19

MEASURE AND TACK / TAPE UP THE TEMPLATES

1. Using a plumb line and (metal) measuring tape, find and mark the vertical center line on the back wall, as in Figure 20.
2. Find and mark one or two points where the studs are on the wall (Studs are normally 16 inches apart.) and then measure and mark the stud locations within the area marked "H" on the wall template. If you cannot find any wall stud, consult a local building contractor.

CAUTION

DO NOT ATTEMPT TO INSTALL THE MICROWAVE OVEN IF YOU CANNOT FIND A WALL STUD.

3. Line up the plumb line on the wall with the center line on the wall template.

NOTE: Be sure the minimum width is 30 inches and the distance from the top of the wall template to the range or counter top at least 30 inches. See Figure 4 on page 4.

4. Securely tape or tack the wall template to the wall. See Figure 21.

NOTE: If the cabinets are not plumb, adjust the wall template to the cabinets.

If the front edge of the cabinet is lower than the back edge, adjust the wall template to be level with the cabinet front.

5. Measure the bottom of the upper cabinet frame. Trim the edges "A" "B" and "C" on the upper cabinet template so that the template will fit on the bottom of the upper cabinet. If upper cabinet has a recessed frame, trim template so that it fits inside the recessed area. Align the centerline of the upper cabinet template with the centerline of the wall template; then securely tape or tack the upper cabinet template in place. See Figure 21.

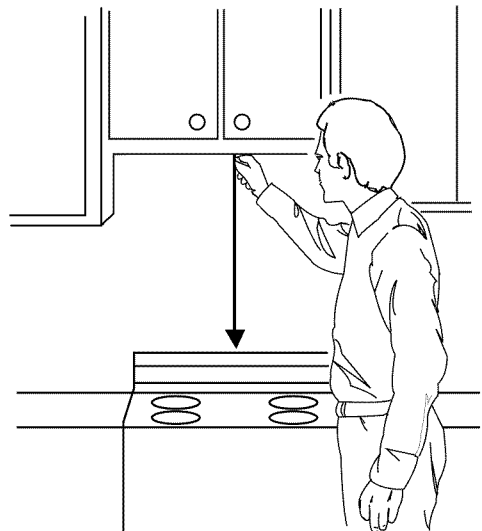


Figure 20

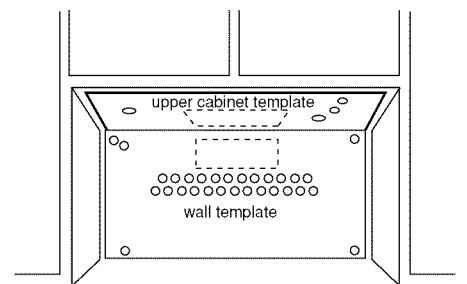


Figure 21

STEP 4: PREPARE THE WALL AND UPPER CABINET FOR INSTALLATION

DRILL THE HOLES IN THE WALL AND UPPER CABINET.



BE VERY CAREFUL WHEN DRILLING HOLES INTO THE WALL.
Electrical wires could be concealed behind the wall covering
and if the drill hits them you could get an electric shock.

1. Find the points on the wall template labeled "D", "E", "F", and "G". Drill a 3/16" diameter hole at any points that are over a wall stud. Drill a 3/4" diameter hole at any points over drywall.
2. Locate the wall stud closest to the center of the areas marked "H" and "I" on the wall template. Drill 3/16" holes into the wall stud in each of the areas. If a wall stud is not located within these areas, drill 3/4" diameter holes nearest to the center of the areas as possible.
If there is not a wall stud within the areas marked "H" and "I" and not behind points marked "D", "E", "F" and "G", DO NOT install microwave oven. (Consult building inspector.)
3. Drill a 3/8" hole at points "J", "K" and "N" on the upper cabinet template.
NOTE: If the bottom of the upper cabinet is recessed 3/4" or more, you will need 2"x2" filler blocks (not included) to provide additional support for the bolts. See Figure 22.
 - Mark the center of each filler block and drill a 3/8" diameter hole at the marks.
 - Align filler blocks over the two openings in the top of the microwave oven cabinet and attach to cabinet with masking tape. See Figure 23.
4. Cut or drill a "2" diameter hole at the area marked "M", "Power-supply-cord-hole" on the upper cabinet template. If the upper cabinet is metal, you will need to cover the edge of the hole with the power-supply-cord bushing (supplied) to prevent damage to the cord from the rough metal edge.

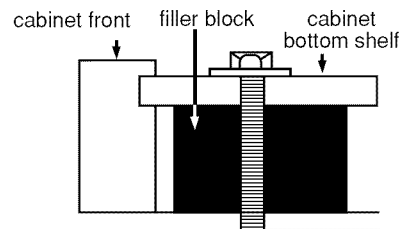


Figure 22



YOU MUST COVER THE EDGE OF THE POWER-SUPPLY-CORD-HOLE IN A METAL CABINET WITH THE POWER-SUPPLY-CORD BUSHING. FAILURE TO DO SO COULD RESULT IN DAMAGE TO THE CORE AND ELECTRIC SHOCK.

5. Cut out the venting areas (with the saber saw):
 - Roof-Vented-cut out the shaded area marked "L" on the upper cabinet template.
 - Wall-Vented-cut out the shaded area marked "O" on the wall template.
 - Room-Vented-go to STEP 5, INSTALLING THE MOUNTING PLATE, located on the next page.
6. Complete whichever venting system you have chosen. Use caulking compound to seal the exterior wall or roof opening around the wall cap or roof cap.

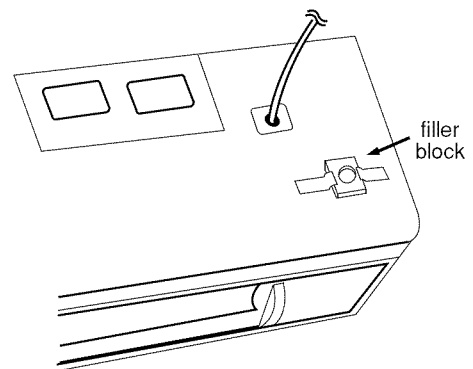


Figure 23

STEP 5: INSTALL THE MOUNTING PLATE

1. Remove the upper cabinet and wall templates.

NOTE: If you are venting the oven through the wall, be sure you align the damper/connector on the rear of the mounting plate with the 3 1/4"x10" duct. Be sure the damper moves freely. See Figure 24.

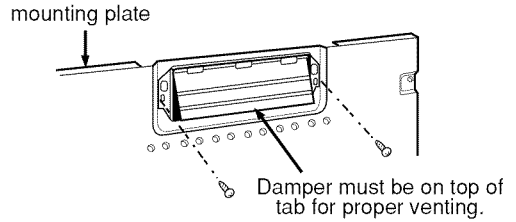


Figure 24

2. Prepare the toggle bolts by attaching a spring toggle head to the end of each toggle bolt as shown in Figure 25.

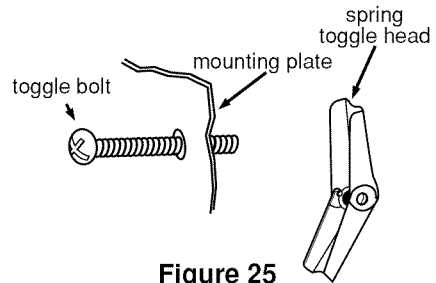


Figure 25

3. Place the mounting plate against the wall and match the screw holes. See Figure 26.

NOTE: Be sure to leave at least one wall-thickness of space between the head of the toggle bolt and the spring toggle head so that the spring toggle can open on the other side of the wall, as shown in Figure 27.

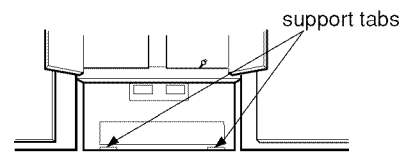


Figure 26

4. Locate the stud holes (3/16") and insert the lag screws through the mounting plate and into the holes. See Figure 28.
5. Insert the toggle bolts through the dry wall holes (3/4"). Tighten the toggle bolts.
6. Slide washer onto lock pin and place inside upper cabinet for future use as directed on the next page. See Figure 29.

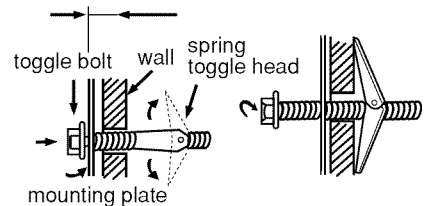


Figure 27

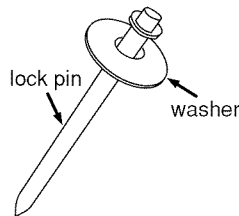


Figure 29

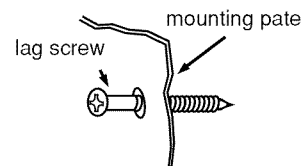


Figure 28

STEP 6: ATTACH THE OVEN TO THE



You will need two people to lift this microwave. Failure to use more than one person could result in personal injury.

1. Carefully lift microwave oven and hang it on support tabs (See Figure 26) at the bottom of the mounting plate. Reaching through upper cabinet, thread power supply cord through the power supply cord hole in the bottom of the upper cabinet. See Figure 30.
2. Rotate microwave upward so that top of oven is against bottom of upper cabinet or cabinet frame.

3. Drop the lock pin and washer assembly into hole "N" (left side hole) and push pin down as far as it will go. See Figure 31.

4. Place washers over two, 1/4"x3" bolts. Then insert a bolt down through each hole in the upper cabinet bottom. Tighten the bolts until the gap between the upper cabinet and microwave oven is closed. See Figure 32.

5. Remove lock pin and washer.
If wall-vented or room-vented installation is used, go to No. 8 on the next page.

Figure 30

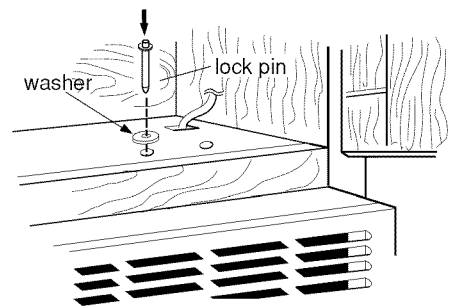


Figure 31

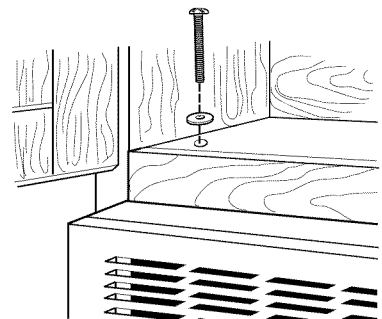


Figure 32

STEP 6: ATTACH THE OVEN TO THE WALL

6. Roof-vented installation: Align the damper/duct connector with the vent on top of the microwave oven. Damper should be on top of tab. Use two tapping screws (bright-colored) to attach damper/duct connector to the microwave oven. See Figure 33.

NOTE: Damper/duct connector must be attached to microwave oven after microwave oven is installed.

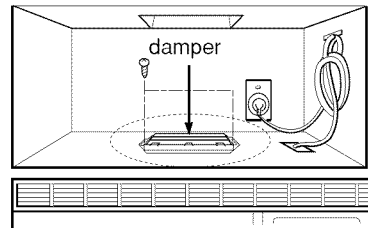


Figure 33

7. Roof venting installation: Install ductwork through the vent opening in the upper cabinet. Complete the venting system through the roof according to the method needed. See Figure 34. See "PREPARE THE VENTING SYSTEM," STEP 2 on the page 8. Use caulking to seal exterior roof opening around exhaust cap. See Figure 6 on page 8.

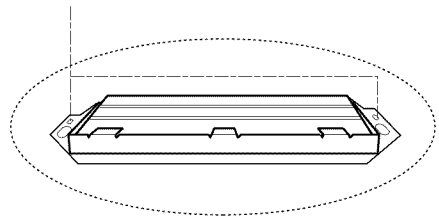


Figure 33 Detail

8. Use power supply cord clamp to bundle the power supply cord. Install power supply cord clamp, using screw as shown in Figure 34, to inside of the cabinet.

9. Grasp filter screen with one hand holding the ring and the other hand holding the opposite end. Insert the end of the filter screen without ring into the opening and slide towards the side of the microwave oven. Insert ring end of filter screen into the opening and slide entire screen towards the center of the microwave until screen is securely in position. Repeat for other filter screen. See Figure 35.

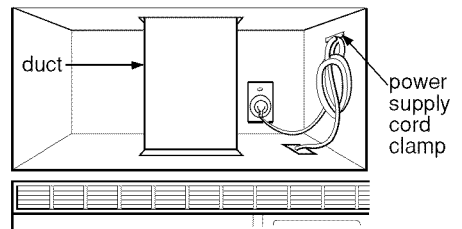


Figure 34

10. Plug in the power supply cord.
11. Read your Owner's Manual, then check the operation of your microwave oven.

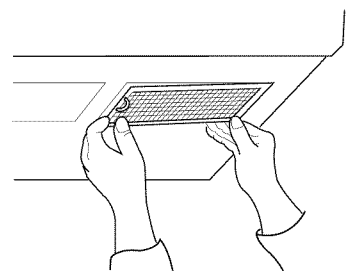


Figure 35

SEARS

Installation Instructions

Model No.

721. 67600

721. 67601

721. 67602

721. 67680

721. 67681

721. 67682

The model number of your microwave oven is found on the front face of the cavity.

When requesting service, always provide the following information:

- Product Type
- Model Number
- Serial Number
- Problem Description



MICROWAVE OVEN

For in-house major brand repair service

Call 24 hours a day, 7 days a week

1-800-4-REPAIR

(1-800-473-7247)

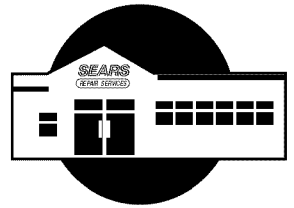
Para pedir servicio de reparación a domicilio-1-800-676-5811



For the location a Sears Parts and Repair Center in your area

Call 24 hours a day, 7 days a week

1-800-488-1222



For information on purchasing a Sears Maintenance Agreement or to inquire about an existing Agreement

Call 9 am-5 pm, Monday-Saturday

1-800-827-6655



SEARS

REPAIR SERVICES

America's Repair Specialists

P/NO.: 3828W5U007

03/'97 Printed in Korea

Sears, Roebuck and Co., Hoffman Estates, IL 60179 U.S.A.