

RF4287HA



# Refrigerator user manual

English

## Imagine the possibilities

Thank you for purchasing a Samsung product.  
To receive a more complete service,  
please register your product at  
[www.samsung.com/register](http://www.samsung.com/register)



Free Standing Appliance

**SAMSUNG**

# Features of your new Refrigerator

---

## KEY FEATURES OF YOUR NEW REFRIGERATOR

---

Your Samsung French Door Refrigerator comes equipped with various innovative storage and energy-efficient features.

- **Twin Cooling System**

The fridge and freezer have separate evaporators. Due to this independent cooling system, the fridge and freezer cool more efficiently. Additionally, this separate air flow system prevents food odor of one compartment from seeping into other compartments.

- **Counter Height Design**

The Independent Mid Drawer(Flex zone) is counter height to fit contemporary kitchen.

- **Flex Zone**

The Flex Zone is a full-width independent mid drawer with adjustable temperature control.

- **Smart Divider**

Easy rail partition can divide off into 4 independent space easily.

- **Secure Auto Close**

The Secure Auto Close feature will automatically close a door that is slightly open.

- **Compact Ice Maker**

The ice maker can dispense cubed or crushed ice.

- **Digital Display and Temperature Control**

- **Slim Water Filtration System**

Slim water filter is placed between crispers for changing filter conveniently without removing items from refrigerator.

- **Door Alarm**

A helpful beeper alerts you if a door is ajar.

- **Tilting Pocket**

The Tilting pocket can be used to store up to a 16" pizza.

- **Auto Pull Out Drawer**

The upper drawer in the freezer comes out automatically as you just open the freezer door.

- **Super Extended Drawer**

A large slide-out drawer for easy freezer organization.

- **Drawer Emotional Lighting**

The lighting helps you find groceries easier by lightening down when you open convertible and freezer door.

- **EZ-Open Handle System**

Freezer door can be opened with less effort.

- **Energy Star**

This Energy star labeled product may save you money on your energy costs.



For easy future reference, write the model and serial number down. You will find your model number and serial number on the left side of the refrigerator.

Model # \_\_\_\_\_  
Serial # \_\_\_\_\_

# Safety Information











## SAFETY INFORMATION

Before using your new Samsung French Door Refrigerator, please read this manual thoroughly to ensure that you know how to safely and efficiently operate the features and functions that your new appliance offers.

This appliance is not intended for use by persons (including children) with reduced physical, sensory or mental capabilities, or lack of experience and knowledge, unless they have been given supervision or instruction concerning use of the appliance by a person responsible for their safety.

Because the following instruction covers various models, the characteristics of your refrigerator may differ slightly from the refrigerator described in this manual. If you have any question, contact us at 1-800-SAMSUNG or find help and information online at [www.samsung.com](http://www.samsung.com).

### Important safety symbols and precautions:

 WARNING	Hazards or unsafe practices that may result in severe personal injury or death.
 CAUTION	Hazards or unsafe practices that may result in minor personal injury or property damage.
	Do NOT attempt.
	Do NOT disassemble.
	Do NOT touch.
	Follow directions carefully.
	Unplug the power plug from the wall socket.
	Make sure the refrigerator is grounded to prevent electric shock.
	Call the contact center for help.
	Note.

**These warning signs are here to prevent injury to you and others.**

**Please follow them carefully.**

**After reading this section, keep it in a safe place for future reference.**



### SEVERE WARNING SIGNS FOR INSTALLATION



- Do not install the refrigerator in a damp place or place where it may come in contact with water.
  - Deteriorated insulation of electrical parts may cause an electric shock or fire.
- Do not place this refrigerator in direct sunlight or expose to the heat from stoves, room heaters or other appliance.
- Do not plug several appliances into the same multiple power board. The refrigerator should always be plugged into its own individual electrical which has a voltage rating that matched the rating plate.
  - This provides the best performance and also prevents overloading house wiring circuits, which could cause a fire hazard from overheated wires.



# Safety Information

---

- If the wall socket is loose, do not insert the power plug.
    - There is a risk of electric shock or fire.
  - Do not use a cord that shows cracks or abrasion damage along its length or at either end.
  - Do not bend the power cord excessively or place heavy articles on it.
  - Never unplug your refrigerator by pulling on the power cord. Always grip plug firmly and pull straight out from the outlet.
    - Damage to the cord may cause a short-circuit, fire and/or electric shock.
  - Do not use aerosols near the refrigerator.
    - Aerosols used near the refrigerator may cause an explosion or fire.
- 



- This refrigerator must be properly installed and located in accordance with the manual before it is used.
  - Connect the power plug in proper position with the cord hanging down.
    - If you connect the power plug upside down, the wire can get cut off and cause a fire or electric shock.
  - When moving the refrigerator, be careful not to roll over or damage the power cord.
    - This constitutes a fire hazard.
  - Make sure that the power plug is not squashed or damaged by the back of the refrigerator.
  - Keep the packing materials out of reach of children.
    - There is a risk of death from suffocation if children put them on their head.
  - The appliance must be positioned so that the plug is accessible after installation.
  - You need to remove all the protective plastic film before you initially plug in to use the product.
- 



- The refrigerator must be safely grounded
  - Always make sure that you have grounded the refrigerator before attempting to investigate or repair any part of the appliance. Power leakages can cause severe electric shock.
- Never use gas pipes, telephone lines or other potential lightning attractors as an electrical ground.
  - Improper use of the grounding plug can result in a risk of electric shock. If it is necessary to use an extension cord, use only a 3-wire extension cord that has a 3-blade grounding plug and a 3-slot receptacle that will accept the plug on the appliance. The marked rating of the extension cord should be AC115-120 V, 10 A, or more. If a grounding adapter is used, make sure the receptacle box is fully grounded.



- If the power cord is damaged, have it replaced immediately by the manufacturer or its service agent.



CAUTION

## CAUTION SIGNS FOR INSTALLATION

---



- Allow sufficient space to install the refrigerator on a flat surface.
  - If your refrigerator is not level, the internal cooling system may not work correctly.
- Keep ventilation opening in the appliance enclosure or mounting structure clear of obstruction.
- Allow the appliance to stand for 2 hours after installation.



WARNING

## SEVERE WARNING SIGNS FOR USING

---



- Do not insert the power plug with wet hands.
- Do not store articles on the top of the appliance.
  - When you open or close the door, the articles may fall and cause personal injury and/or material damage.
- Do not put a container filled with water on the refrigerator.
  - If spilled, there is a risk of fire or electric shock.
- Children should be supervised to ensure that they do not play with the appliance.

- Do not let children hang on the door. A serious injury may occur.
- Do not let children enter inside of the refrigerator. There is a risk of children entrapment.
- Do not insert your hands into the bottom area under the appliance.
  - Any sharp edges may cause personal injury.
- Do not let children step on drawer's cover.
  - The drawer may break and cause them to slip.
- Do not overfill the refrigerator with food.
  - When you open the door, an item may fall out and cause personal injury or material damage.
- Do not touch the inside walls of the freezer or products stored in the freezer with wet hands.
  - This may cause frostbite.
- Never put fingers or other objects into the water dispenser hole, ice chute and ice maker bucket.
  - It may cause personal injury or material damage.
- Do not spray inflammable gas near the refrigerator.
  - There is a risk of explosion or fire.
- Do not store volatile or flammable substances in the refrigerator.
  - The storage of benzene, thinner, alcohol, ether, LP gas and other such products may cause explosions.
- Do not store pharmaceuticals products, scientific materials or temperature sensitive products in the refrigerator.
  - Products that require strict temperature controls must not be stored in the refrigerator.
- Do not place or use an electrical appliance inside the refrigerator, unless it is of a type recommended by the manufacturer.
- Do not use mechanical devices or any other means to accelerate the defrosting process, other than those recommended by the manufacturer.
- Do not damage the refrigerant circuit.



- Do not disassemble or repair the refrigerator by yourself.
  - You run risk of causing a fire, malfunction and/or personal injury.



- Children should be supervised to ensure that they do not play with the appliance.
- Bottles should be stored tightly together so that they do not fall out.
- This product is intended only for the storage of food in a domestic environment.
- If a gas leak is detected, avoid any naked flames or potential sources of ignition and air the room in which the appliance is standing for several minutes.
- Use only the LED Lamps provided by manufacturer or service agents.



- Pull the power plug out of the socket before changing the interior lamps of the refrigerator.
  - Otherwise, there is a risk of electric shock.



- If there are burning smells or smoke, pull out power plug immediately and contact your Samsung Electronics service center.
- If you experience difficulty when changing the light, contact service agents.
- If the products equipped with LED Lamp, do not disassemble Lamp Cover and LED Lamp by yourself.
  - Please contact your service agents.
- If any dust or water is in refrigerator, pull out power plug and contact your Samsung Electronics service center.
  - Otherwise there is a risk of fire.



## CAUTION SIGNS FOR USING



- Do not re-freeze frozen foods that have thawed completely.

Do not place carbonated or fizzy drinks in the freezer compartment. Do not put bottles or glass containers in the freezer.

- When the contents freeze, the glass may break and cause personal injury.



- Service warranty and Modification.
  - Any changes or modifications performed by a 3rd party on this finished appliance is not covered under Samsung warranty service, nor can Samsung be responsible for safety issues that result from 3rd party modifications.
- Do not block air holes.
  - If the air holes are blocked, especially with a plastic bag, the refrigerator can be over cooled. If this cooling period lasts too long, the water filter may break and cause water leakage.
- If the refrigerator is disconnected from the power supply, you should wait for at least five minutes before plugging it back.
- If you have a long vacation planned or the refrigerator is not to be used for a long period of time, you must empty the refrigerator and pull out the power plug.
  - Deterioration in the insulation may cause fire.  
Wipe excess moisture from the inside and leave the doors open.
  - Otherwise, odor and mold may develop.
- To get Best performance of product,
  - Do not place foods too closely in front of the vents at the rear of the appliance as it can obstruct free air circulation in the refrigerator compartment.
  - Wrap the food up properly or place it in airtight containers before putting it into the refrigerator.
- Fill water tank, ice tray, water cubes only with potable water.



- When the product is flooded, make sure to contact your nearest service center.
  - There is a risk of electric shock or fire.



### **CAUTION SIGNS FOR CLEANING**



- Do not directly spray water inside or outside the refrigerator.
  - There is a risk of fire or electric shock.



- Remove any foreign matter or dust from the power plug pins. Do not use a wet or damp cloth when cleaning the plug, remove any foreign material or dust from the power plug pins.
  - Otherwise there is a risk of fire or electric shock.



- Unplug the refrigerator before cleaning and making repairs.



### **SEVERE WARNING SIGNS FOR DISPOSAL**



- Risk of child entrapment. Before you throw away your old refrigerator or freezer.
  - Take off the doors.
  - Leave the shelves in place so that children may not easily climb inside.
- Please dispose of the packaging material for this product in an environmentally friendly manner.
- Leave the shelves in place so that children may not easily climb inside. Ensure that none of the pipes on the back of the appliance are damaged prior to disposal.
- When disposing of this refrigerator, remove the door/door seals and door latch so that small children or animals cannot become trapped inside. Children should be supervised to ensure that they do not play with the appliance.
- Cyclopentane is used as in the insulation. The gases in insulation material require a special disposal procedure. Please contact your local authorities in regard to the environmentally safe disposal of this product. Ensure that none of the pipes on the back of the refrigerator are damaged prior to disposal.

# Contents

---

## **SETTING UP YOUR FRENCH DOOR REFRIGERATOR**

08

- 08 Getting ready to install the refrigerator
- 09 Setting up the refrigerator
- 09 Removing the refrigerator doors
- 11 Disassemble the Flex door
- 12 Disassemble the freezer drawer
- 13 Reattaching the refrigerator doors
- 15 assemble the Flex door
- 16 assemble the freezer drawer
- 17 Installation of the refrigerator handles
- 18 Installation fo the Flex and Freezer handle
- 19 Adjusting the doors
- 20 Making minor adjustments between doors
- 21 Adjusting the freezer drawer level
- 22 Checking the water dispenser line
- 23 Installing the water line

## **OPERATING YOUR FRENCH DOOR REFRIGERATOR**

24

- 24 Using the control panel
- 26 Changing the water filter
- 28 controlling the temperature
- 29 Using the two lever dispenser
- 31 Parts and features
- 32 Storing food in the refrigerator
- 32 Storing food in the freezer drawer
- 33 Using Flex Zone
- 34 Removing the refrigerator accessories
- 36 Removing the freezer accessories
- 37 Food storage tips
- 39 Cleaning the refrigerator

## **TROUBLESHOOTING**

40

- 40 Troubleshooting

## **WARRANTY**

41

- 41 Warranty on samsung refrigerator (27.7 Cubic feet and larger capacity)

# Setting up your French Door Refrigerator

## GETTING READY TO INSTALL THE REFRIGERATOR

Congratulations on your purchase of the Samsung French Door Refrigerator. We hope you enjoy the state-of-art features and efficiencies that this new appliance offers.

### Selecting the best location for the refrigerator

- A location with easy access to the water supply.
- A location without direct exposure to sunlight.
- A location with a leveled floor.
- A location with enough space for the refrigerator doors to open easily.
- Allow sufficient space for air circulation of the internal cooling system.

If the refrigerator does not have enough space, the internal cooling system may not work properly.

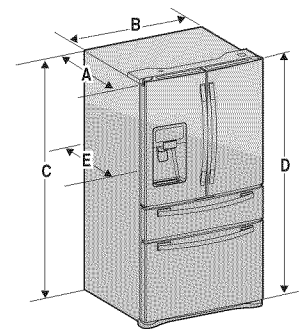
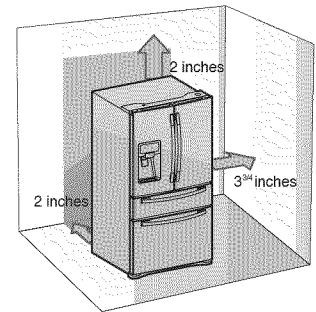
If your refrigerator has an ice maker, allow extra space at the back for the water line connections.

When you install the refrigerator next to a fixed wall, minimum clearance is 3 3/4" (95mm) between the refrigerator and wall to allow the door to swing open.

First thing! Make sure that you can easily move your refrigerator to its final location by measuring doorways (both width and height), thresholds, ceilings, stairways, etc.

The following chart details the exact height and depth of Samsung French Door Refrigerator.

Model	Depth "A"	Width "B"	Height "C"	Overall Height "D"	Depth "E"
RF4287HA	33.78" (85.8 cm)	35.75" (90.8 cm)	66.19" (168 cm)	69.88" (177.4 cm)	36.22" (92 cm)

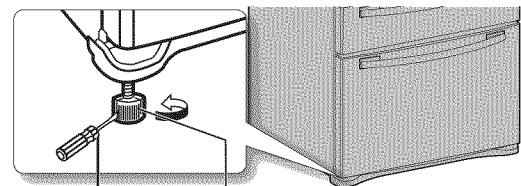


- Allow clearance to the right, left, back and top when installing. This will help reduce power consumption and keep your energy bills lower.
- Do not install the refrigerator where the temperature will go below 50°F (10°C).
- Do not locate the refrigerator where it may become wet.

### When moving your refrigerator



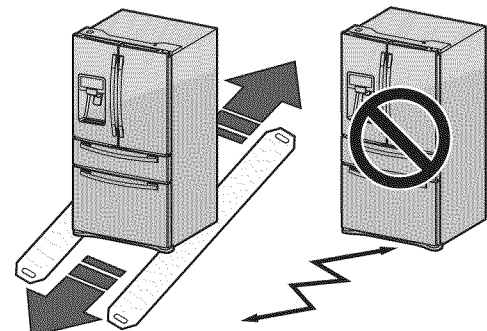
To prevent floor damage, be sure the front adjusting legs are in the up position (above the floor). Refer to 'Adjusting the doors' in the manual (on page 19).



Flat-blade screw driver(-) Control Lever

### FLOORING

For proper installation, this refrigerator must be placed on a leveled surface of hard material that is the same height as the rest of the flooring. This surface should be strong enough to support a fully loaded refrigerator, or approximately 359lbs (165kg). To protect the finish of the flooring, cut a large section of the cardboard carton and place under the refrigerator where you are working. When moving a refrigerator, it is needed to pull and push in the back-and-forth direction.





## SETTING UP THE REFRIGERATOR

Now that you have your new refrigerator installed in place, you are ready to set up and enjoy the features and functions of the appliance. By completing the following steps, your Refrigerator should be fully operational.

1. Place the refrigerator in an appropriate location with reasonable clearance between it and the wall. Refer to installation instructions in this manual.
2. Once the refrigerator is plugged in, make sure the interior light comes on when you open the doors.
3. Set the Temperature control to the coldest temperature and wait for an hour. The freezer will get slightly chilled and the motor will run smoothly.
4. After powering the refrigerator, it will take a few hours to reach the appropriate temperature. You can store food and drinks in the refrigerator after the temperature is sufficiently cool.

Check the accessories listed below.



Fastener



Compression fitting



Compression nut

### Required Tools



Phillips screwdriver  
(+)



Flat-blade screw-  
driver (-)



Socket wrench  
(10mm)



Pliers



Allen wrench (3/16")  
(5mm)

## REMOVING THE REFRIGERATOR DOORS

Some installations require door removal to transport the refrigerator to its final location.

Do not remove the door/drawer if it is not needed. Before removing the door/drawer make sure you read following items.




**WARNING**

Disconnect power to the refrigerator before removing the door or drawer.




- Be careful not to drop, damage or scratch the door/drawer while removing them.
- Be careful not to get injured while removing the door/drawer.
- Reattach the door/drawer properly to avoid:
  - Moisture from air leakage.
  - Uneven door alignment.
  - Wasting energy due to improper door seal.

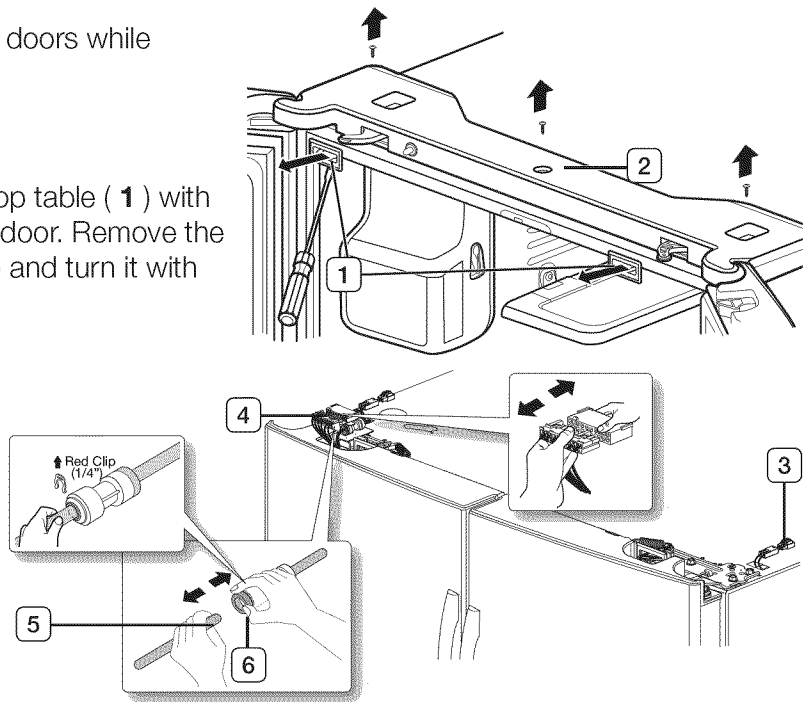
## Disassemble the refrigerator doors

**WARNING**  Be careful not to drop and scratch the doors while removing the doors.

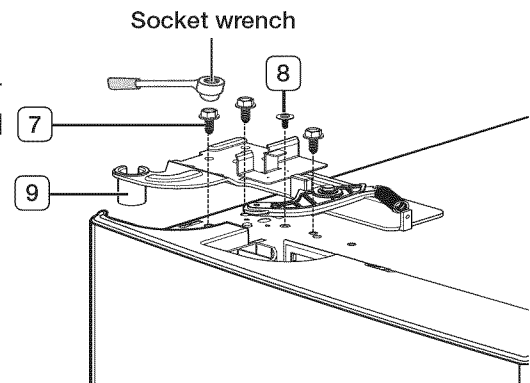
## Disassemble the refrigerator doors

1. With the door opened, remove the cap top table ( **1** ) with a flat-blade screwdriver(-), and close the door. Remove the 3 screws holding down the top table ( **2** ) and turn it with several wires connected.
2. Disconnect one connector ( **3** ) on the right side door and one connector ( **4** ) on the left side door. Remove the water line ( **5** ) while pressing the dark gray color part ( **6** ) of the water line coupler.

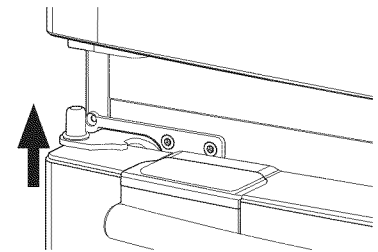
**CAUTION**  If a red clip is on the coupler, it must be removed before removing the tube.



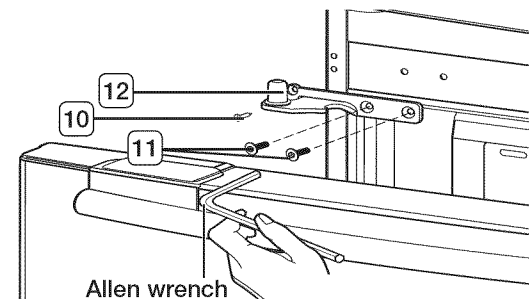
3. Remove the 3 hex head bolts ( **7** ) attached to the upper left and right door hinges with a socket wrench(10mm). Remove the ground screw ( **8** ) attached to the upper left and right door hinges with a philips screwdriver(+). Remove the upper left and right door hinges ( **9** ).



4. Lift the door straight up to remove.



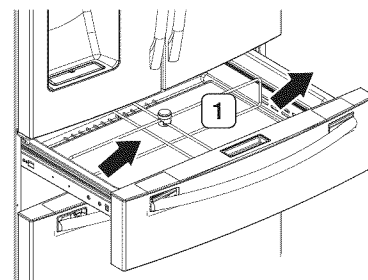
5. Remove the screw( **10** ) attached to the lower left and right door hinges with a philips screwdriver(+). Remove the 2 hex head bolts( **11** ) attached to the lower left and right door hinges with an allen wrench(3/16"). Remove the lower left and right door hinges ( **12** ).



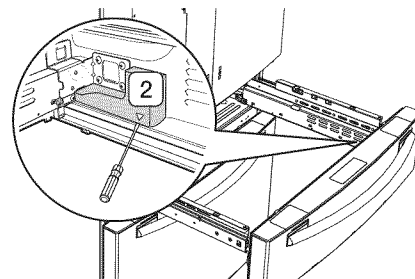
# Setting up your French Door Refrigerator

## DISASSEMBLE THE FLEX DOOR

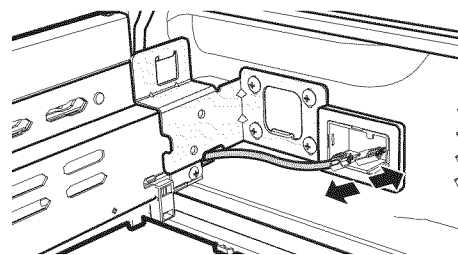
1. Take out the Flex room ( **1** ) by lifting it up.



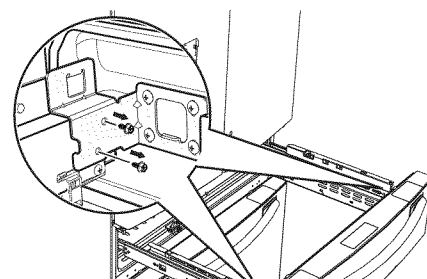
2. Take off the cover ( **2** ) w/harness by with a flat-blade screwdriver(-).



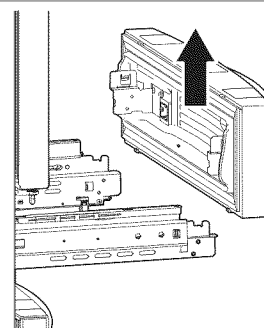
3. Disconnect the housing connector.



4. Remove 2 hex head bolts from sides with a socket wrench (10mm)



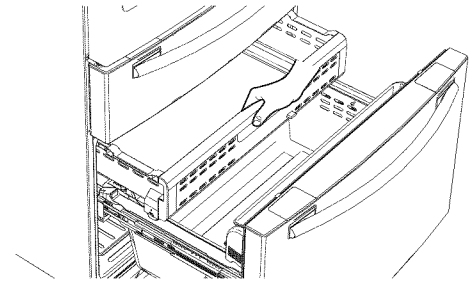
5. Lift up the Flex door from the rails.



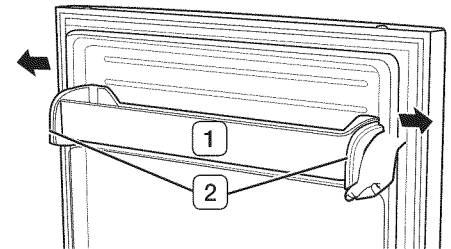
## DISASSEMBLE THE FREEZER DRAWER

---

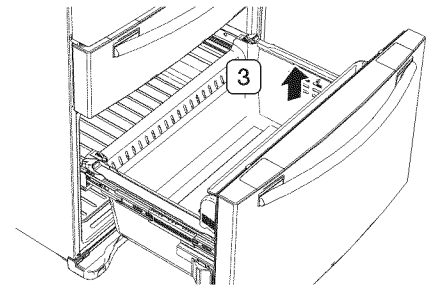
1. Take out the upper drawer by lifting it up.



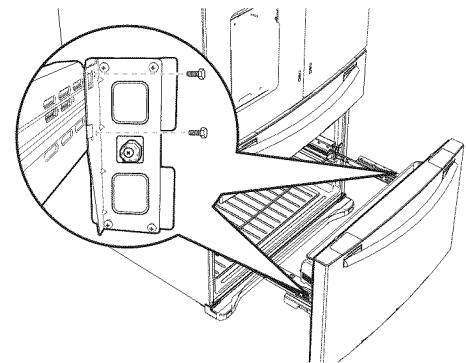
2. Remove the tilting pocket ( **1** ) by pulling both support guards ( **2** ) aside. And take out both support guards by pulling them aside.



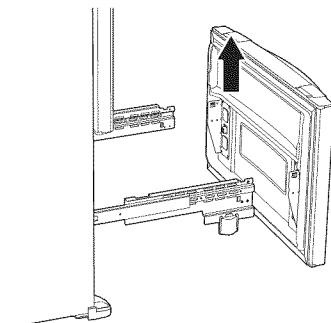
3. Take out the lower basket ( **3** ) by lifting the basket up from the rail system.



4. Remove 4 hex head bolts from both sides with a socket wrench (10mm)



5. Lift up the freezer door from the rails.

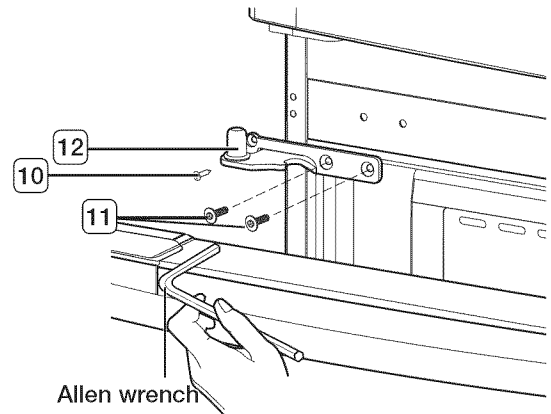


# Setting up your French Door Refrigerator


## REATTACHING THE REFRIGERATOR DOORS

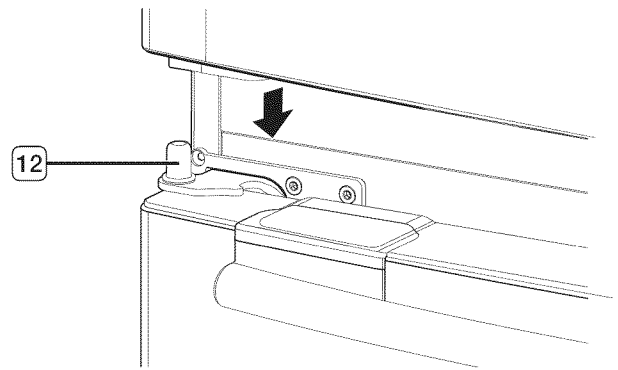
### Assemble the refrigerator doors

1. Reattach the lower left and right door hinges ( **12** ).  
With a Philips head screwdriver, insert and tighten the screw ( **10** ) into the lower left and right door hinges.  
With a allen wrench(3/16"), insert and tighten the 2 hex head bolts ( **11** ) into the lower left and right door hinges.

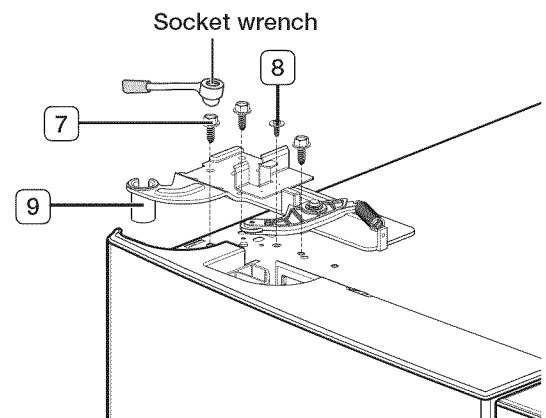


2. Place the hole in the bottom of the door over the door hinge ( **12** ).

 Be careful not to miss the hinge cap because it can be easily taken off.

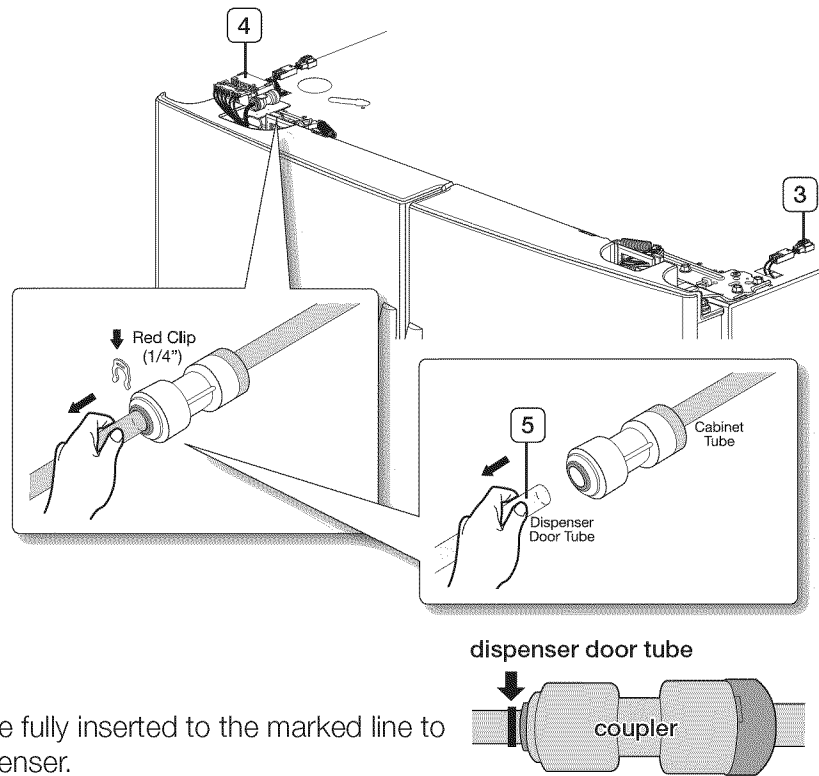


3. Insert the upper hinges ( **9** ) into the holes at the top of the doors.  
Insert and tighten the 3 hex head bolts ( **7** ) into the upper left and right door hinges with a socket wrench(10mm).  
Insert and tighten the ground screw ( **8** ) into the upper left and right door hinges with a philips screwdriver(+).

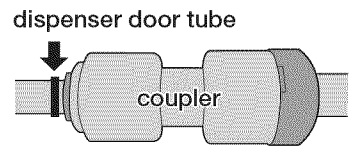


4. Connect the dispenser door tube ( **5** ) and then insert a clip on the coupler with pulling tube.  
Connect the connector ( **4** ) on the left side door and one connector ( **3** ) on the right side door.


 The clip is enveloped inside of the top cap.




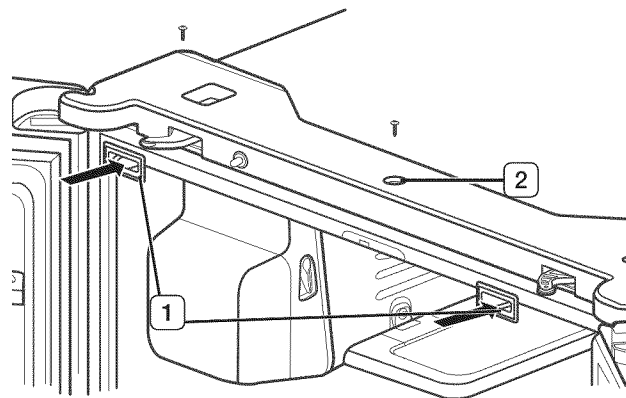
The dispenser door tube ( **5** ) must be fully inserted to the marked line to prevent water leakage from the dispenser.



5. Position the top table ( **2** ) in place. Insert and tighten the 3 screws into the top table with a philips screw driver(+). After door opened, reinsert the cap top table ( **1** ) and close the doors.

 When reattaching the top table, make sure that the wires are not pressed or damaged by the hinge cover.

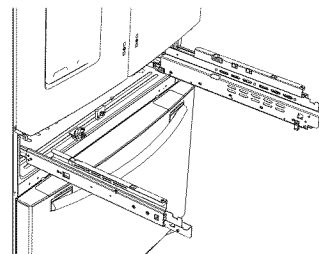
 After assembling, close the door and check to see whether the door has gaps between gaskets or is tilted.  
If you see one of them, please refer to “Adjusting the doors” on page 18.



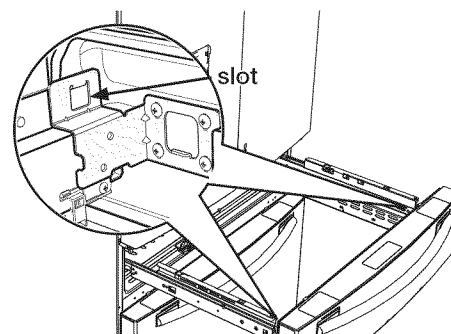
# Setting up your French Door Refrigerator

## ASSEMBLE THE FLEX DOOR

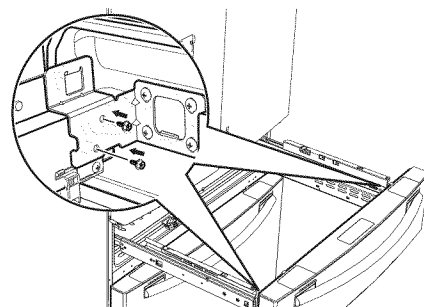
1. Pull out the rails fully on each side of the cabinet.



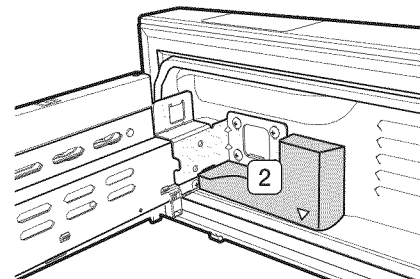
2. Attach the Flex door front onto the open slots on the sides.



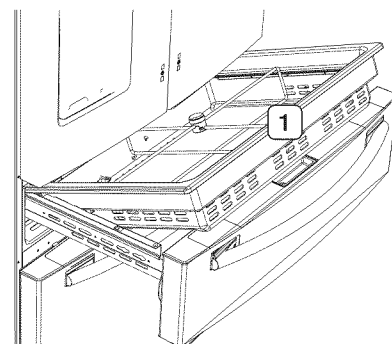
3. Tighten 2 hex head bolts completely with a socket wrench (10mm).



4. Put the cover w/harness ( 2 ) on the right joint after connect the housing.

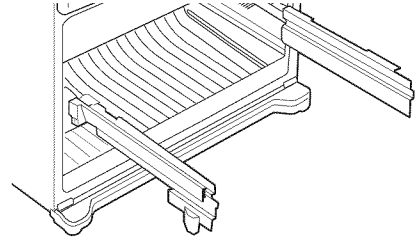


5. Insert the Flex room ( 1 ) into the rail system.

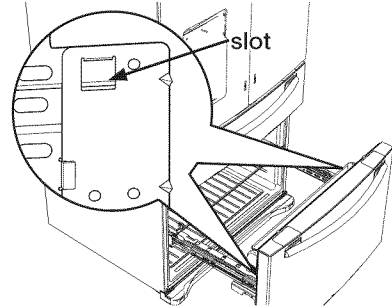


## ASSEMBLE THE FREEZER DRAWER

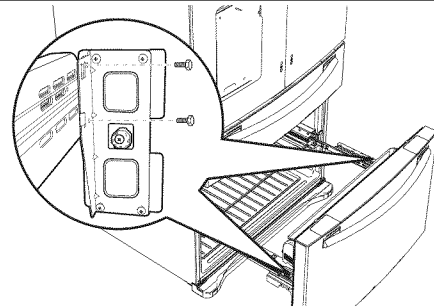
1. Pull out the rails fully on each side of the cabinet.



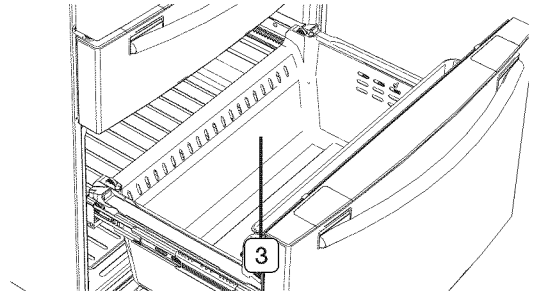
2. Attach the freezer door front onto the open slots on the sides.



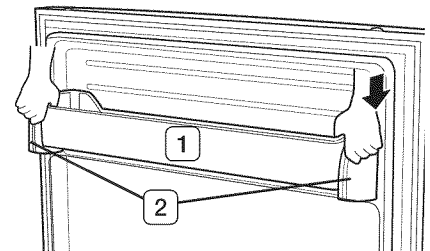
3. Tighten 4 hex head bolts completely with a socket wrench(10mm).




4. Insert the lower basket ( 3 ) into the rail system.

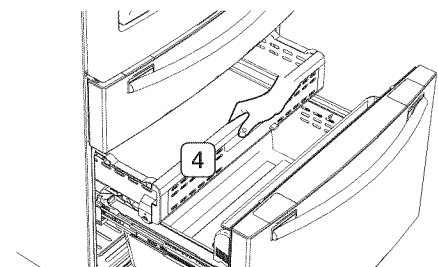


5. Hook the ends of the tilting pocket ( 1 ) onto the support guards ( 2 ) and push down until they lock into place.



6. Insert the upper drawer.

-  Remove 2 pieces of tape ( 4 ) attached to the side of the drawer bin.  
Reattach the tape in the same position when moving the refrigerator to prevent scratching the drawer bin.

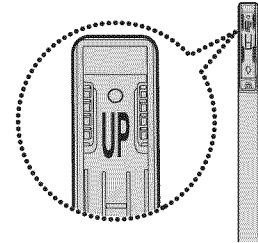




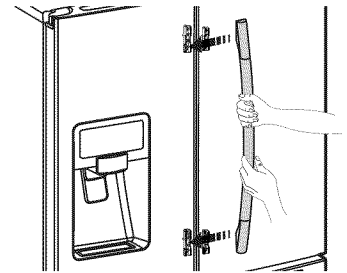
# Setting up your French Door Refrigerator

## INSTALLATION OF THE REFRIGERATOR HANDLES

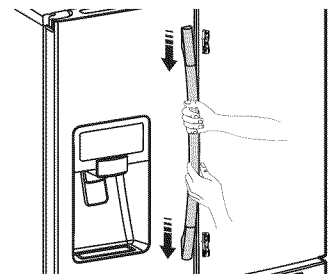
1. Make sure the word "UP" on the rear of the handle is facing right side up.



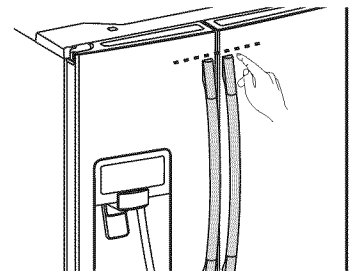
2. a. Match the upper and lower Handle Locking Tabs on the doors to the handles.



- b. Fix the handles to the doors by sliding them down firmly until you hear a click sound.



3. Check the installation of the handles by pulling on them. If the handles have been inserted correctly, they should not move. Ensure the two handles are horizontally aligned.

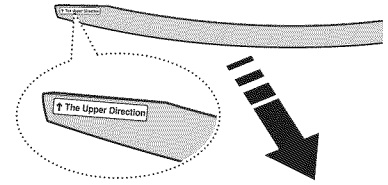


 If the REF handles are not aligned, repeat number 2. To align the doors, refer to the owner's manual, section 'Leveling the refrigerator.'

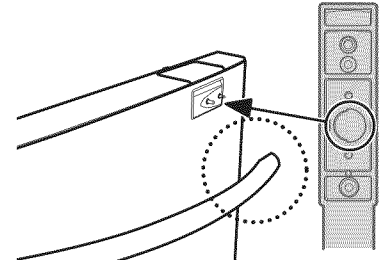
## INSTALLATION FO THE FLEX AND FREEZER HANDLE

---

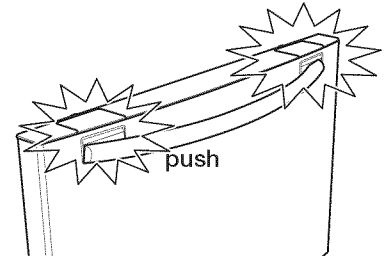
1. Make sure the word "The Upper Direction" on the side of the handle is facing up.



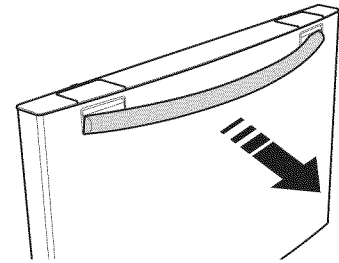
2. a. Align the handle with the mounting studs.




- b. Push the handle onto the mounting studs until you hear a click.



3. Check the installation of the handle by pulling on it. If the handle has been inserted correctly, it should not move.



-  If the Freezer handle is not attached, repeat step 2.

# Setting up your French Door Refrigerator

## ADJUSTING THE LEVEL

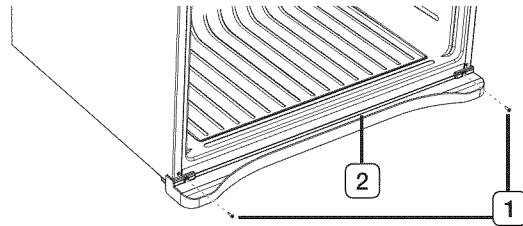
After putting the doors back on the refrigerator, make sure the refrigerator is level so that you can make final adjustments.

If the refrigerator is not level, it will not be possible to get the doors perfectly even, which may cause moisture condensation and increased energy bills.

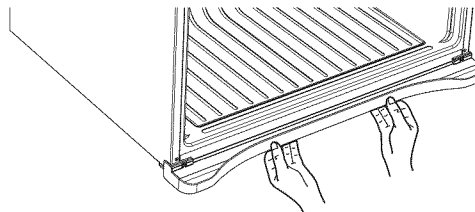
For example, when the left side of refrigerator is lower than the right side, make sure to do the following steps.

### How to adjust the level

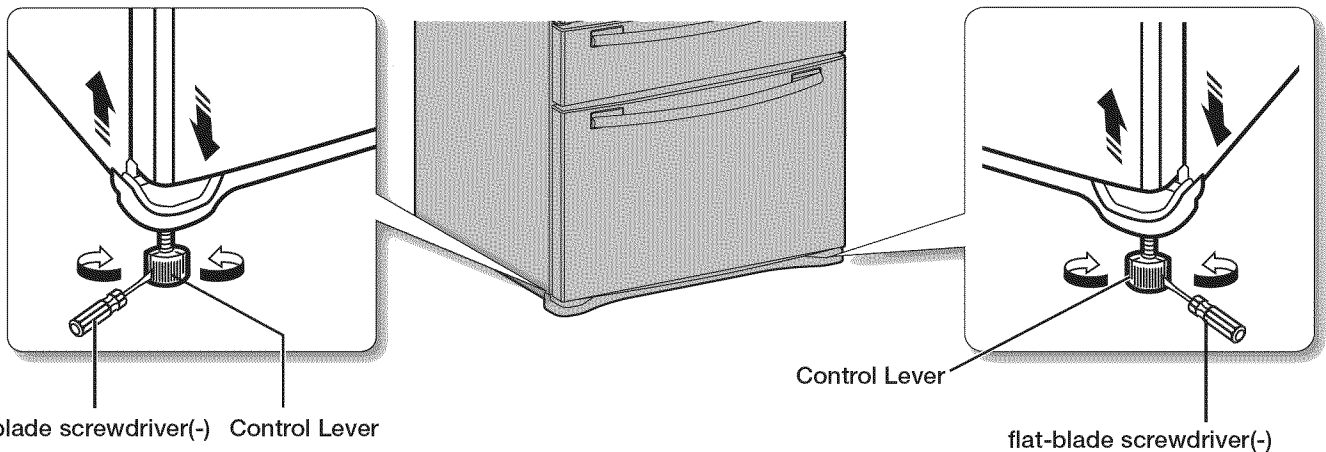
1. Disassemble the freezer drawer. (Refer to 11 page)
2. Remove the two screws ( **1** ) attached to the cover leg front ( **2** ) with a Philips screwdriver(+).



3. Remove the cover leg front ( **2** ) by lifting the bottom part of the cover leg front up and pulling it out.



4. Insert a flat-blade screwdriver(-) into a notch on the left control lever, and turn it count clockwise to level the refrigerator. Turning it clockwise to lower the refrigerator and counterclockwise to raise it.



Both control levers must be surely touching the floor to avoid possible personal injury or property damage because of tipping.



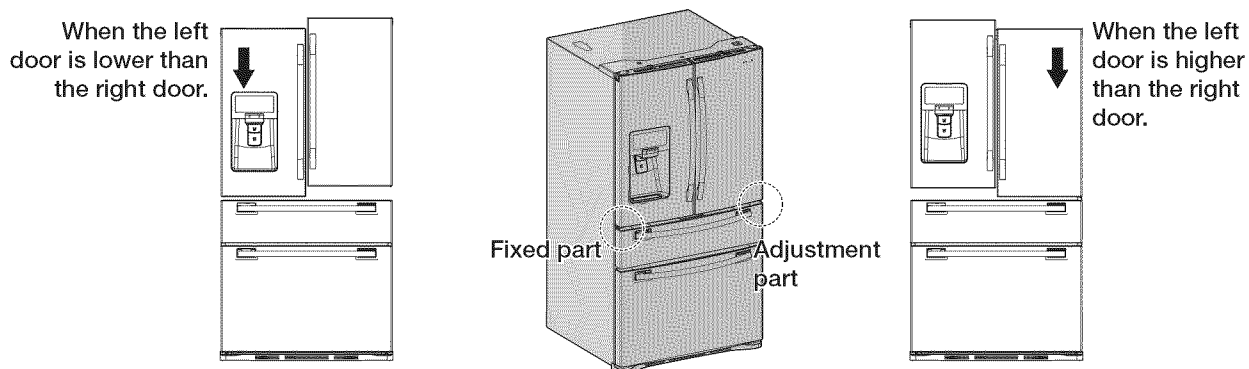
For the left side is higher, do it with right lever.



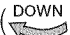

It is difficult to remove the cover leg front from the refrigerator so we do not recommend making small adjustments with the control lever. Instead refer to the next page for the best way to make minor adjustments to the doors.

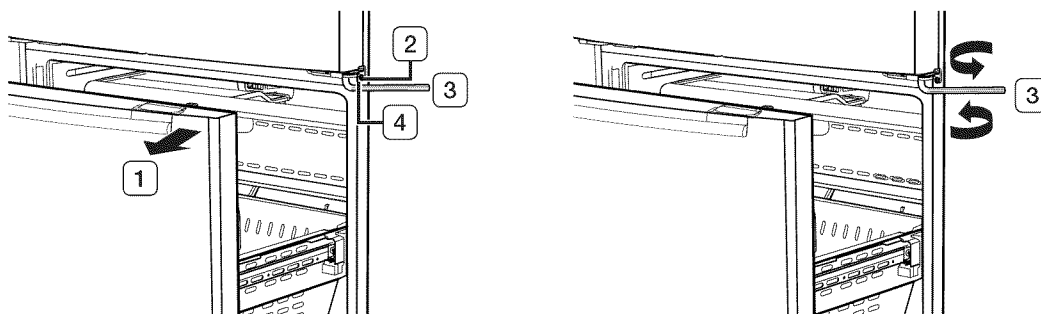
## MAKING MINOR ADJUSTMENTS BETWEEN DOORS

Remember, a leveled refrigerator is necessary for getting the doors perfectly even. If you need help, review the previous section on leveling the refrigerator.



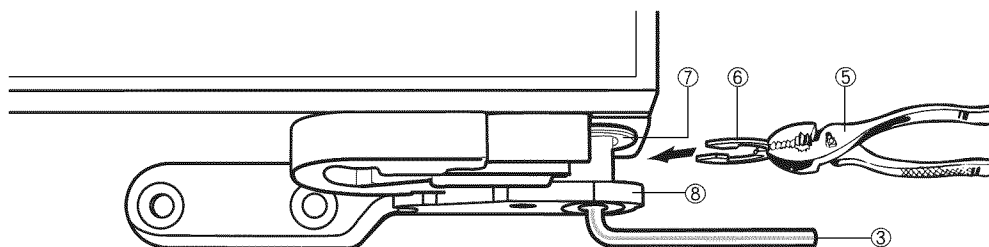
 The left door is fixed. To make minor adjustments between doors, adjust only the right door.


1. Pull out the Convertible door ( **1** ), then you can see the lower hinge ( **2** ).
2. Insert the supplied allen wrench (3/16") ( **3** ) into the shaft ( **4** ) of the lower hinge.
3. Please adjust the height by turning the hex wrench ( **3** ) clockwise (  ) or counter-clockwise (  ).



 When you turn the hex wrench counter-clockwise (  ), the door will move up.

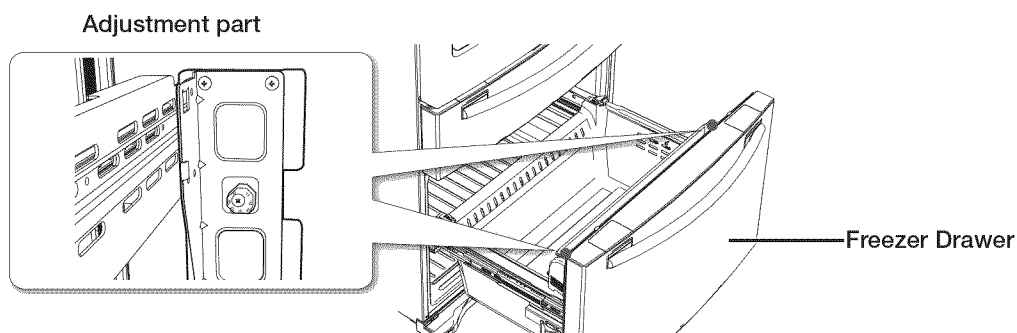
1. After adjusting the doors, please insert the supplied fastener ( **6** ) using a pliers ( **5** ) in the gap between the hinge-grommet ( **7** ) and the lower hinge ( **8** ). The number of fastener you'll need to insert depends on the gap.



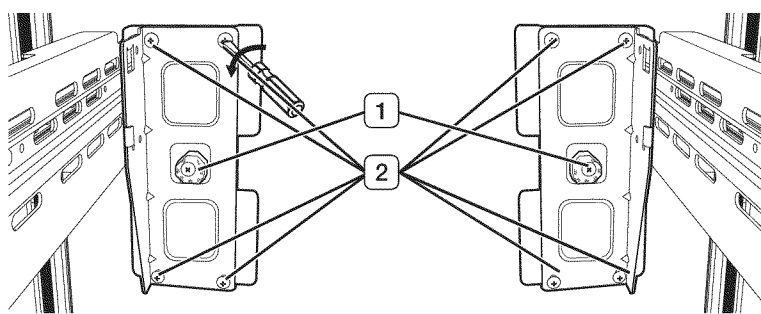
 2 fastener are enclosed with the refrigerator.  
The thickness of each fastener is 0.04".

# Setting up your French Door Refrigerator

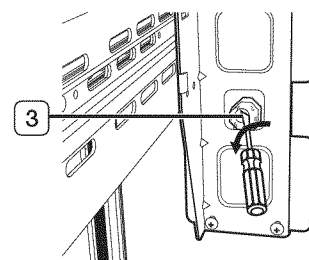
## ADJUSTING THE FREEZER DRAWER LEVEL



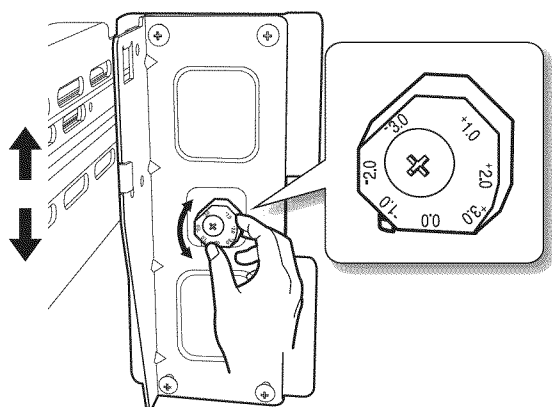
1. Locate the height-adjuster ( **1** ) in the freezer drawer.  
Unscrew the 8 Phillips screws ( **2** ) slightly to loosen the door.



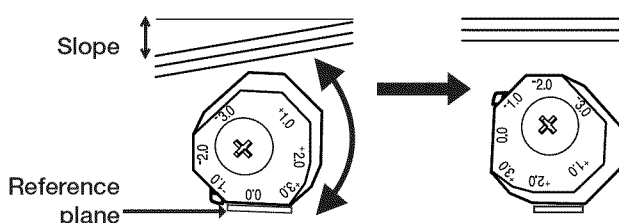
2. Loosen the controller screw ( **3** ) with a Phillips screwdriver(+).



3. Find the best level to align the door slope.
  - After adjustment, tighten the controller screw ( **3** ) and then philips screws.



Example) The slope is about 0.08inch(2mm) as shown below.  
- Rotate the height adjuster to -2.0 to reduce the door slope.



## CHECKING THE WATER DISPENSER LINE


---

A water dispenser is one of the helpful features on your new refrigerator. To help promote better health, the water filter removes unwanted particles from your water. However, it does not sterilize or destroy microorganisms. You may need to purchase a water purifying system to do that.

In order for the ice maker to operate properly, a water pressure of 20~125 psi is required. Under normal conditions, a 170 cc (5.75 oz.) cup can be filled in 10 seconds.

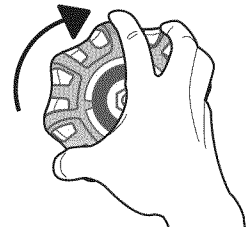
If the refrigerator is installed in an area with low water pressure (below 20psi), you can install a booster pump to compensate for the low pressure.

Make sure the water storage tank inside the refrigerator is properly filled. To do this, press the water dispenser lever until the water runs from the water outlet.

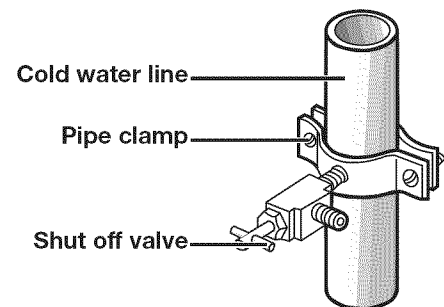
-  Water line installation kits are available at extra cost from your dealer. We recommend using a water line installation kit that contains copper tubing and 1/4" compression nut.

### Connecting to the water supply line


1. First, shut off the main water supply.

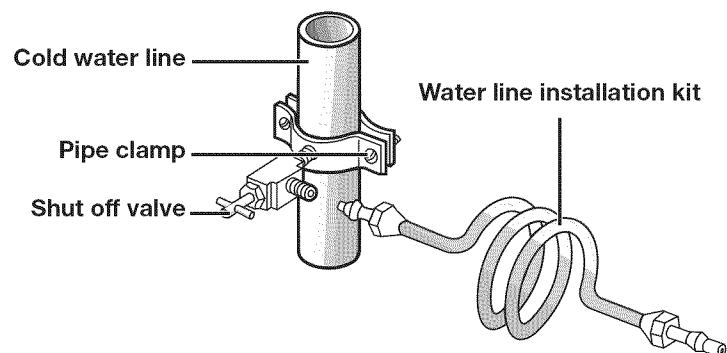


2. Locate the nearest cold water drinking line and install the pipe clamp and shut off valve.



3. Connect the water line installation kit to shut off valve.

-  After connecting the water supply with water filter, turn on water supply and Flush 1 gallons through filter before using (flush approximately 6 minutes). If water drop or leakage is found on the connection area, turn off the main water supply. Check it and, if necessary, tighten it more.



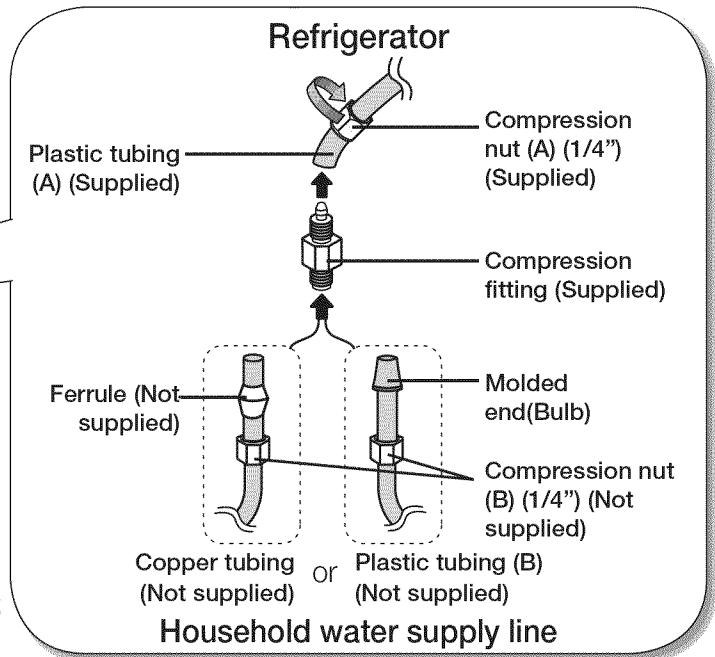
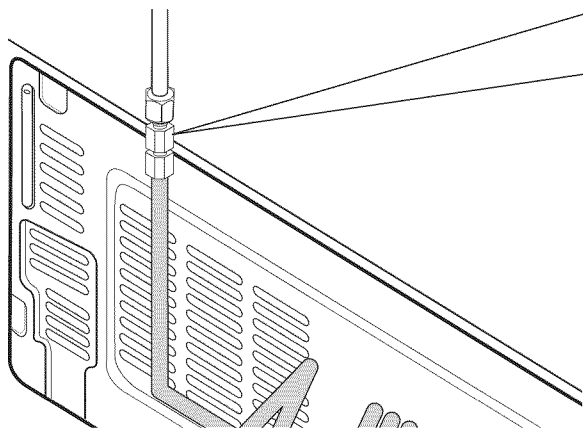
# Setting up your French Door Refrigerator

## INSTALLING THE WATER LINE

### Connecting the water supply line to the refrigerator.

There are several items that you need to purchase to complete this connection.  
You may find these items sold as a kit at your local hardware store.

Use Copper Tubing	Use Plastic Tubing
<ul style="list-style-type: none"><li>• 1/4" copper tubing</li><li>• 1/4" compression nut (2pc)</li><li>• Ferrule (2pc)</li></ul>	<ul style="list-style-type: none"><li>• 1/4" plastic tubing</li><li>→ Molded end(Bulb)</li><li>• 1/4" compression nut (2pc)</li></ul>



1. Slip the compression nut ( **A** ) through the supplied plastic tubing ( **A** ).
2. Tighten the compression nut ( **A** ) onto the 1/4" compression fitting.
  - If you are using copper tubing, slip the compression nut ( **B** ) (not supplied) and ferrule (not supplied) on copper tubing (not supplied) as shown.
  - If you are using plastic tubing ( **B** ), insert the molded end(Bulb) of the plastic tubing ( **B** ) into the compression fitting.



Do not use without the molded end(Bulb) of the plastic tubing ( **B** ).

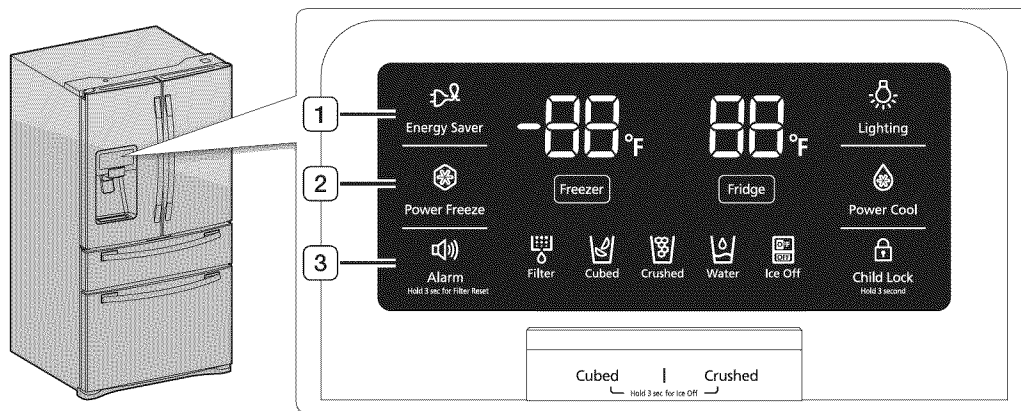
3. Tighten the compression nut ( **B** ) onto the compression fitting.  
Do not over-tighten the compression nut ( **B** ).
4. Turn water on and check for any leakage.






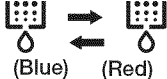




Only connect the water line to a drinkable water source.  
If you have to repair or disassemble the water line, cut off 1/4" of the plastic tubing to make sure you get a snug, leak-free connection.

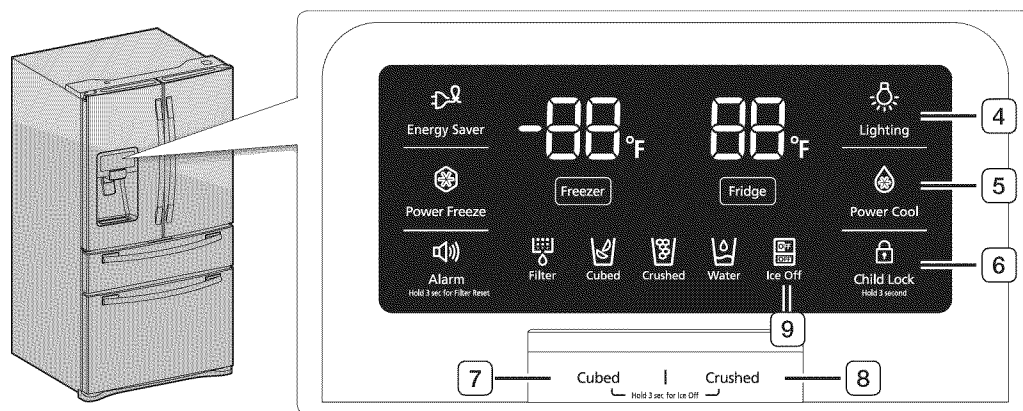
# Operating your French Door Refrigerator












## USING THE CONTROL PANEL



<p><b>(1) Energy Saver</b></p>	<p>Press the Energy Saver button for better energy efficiency. This icon will light up when you press the Energy Saver button. The Energy Saver function is automatically set to "ON" when power is supplied to the refrigerator. If condensation or water drops occur on the doors, turn the Energy Saver mode off.</p>
	
<p><b>(2) Power Freeze</b></p>	<p>Press the Power Freeze to set the freezer to your desired temperature. This icon will light up when you press the Power Freeze button. Power Freeze is great when you need a lot of ice. It can be helpful if you need to quickly freeze easily spoiled items or if the temperature in the freezer has warmed dramatically (For example, if the door was left open).</p>
  	<p>When you have enough ice, just press the same button again to cancel the Power Freeze mode. After 2 and a half hours, Power Freeze mode will turn off automatically to decrease energy consumption.</p> <p><b>The compressor will operate highly if you choose Power Freeze mode. Then the driving sound is more louder than normal operation</b></p>
<p><b>Cooling Off Mode</b></p>	<p>1) If Energy Saver Key + Power Freeze Key are pressed simultaneously for 3 seconds during normal operation, Cooling Off mode will be started with buzzer sound (ding-dong). Then blinks "OF OF" on the temperature setting display of the panel.</p>
	<p>- Display, Fan motor are etc operate normally, not to operate compressor only. 2) If Energy Saver Key + Power Freeze Key are Pressed one more time, Cooling Off mode will be canceled.</p>
<p><b>(3) Alarm / hold 3 sec for Filter Reset</b></p>	<p>Press the Alarm / hold 3 sec for Filter Reset button to turn on the door open alarm. This icon will light up when you press the Alarm button. The door alarm will sound if any door is open for more than 3 minutes. The beeping stops when you close the door. Initially the Alarm is set to on.</p>
 <p>(Filter Reset)</p>  <p>(Blue) (Red)</p>	<p> <b>Filter Reset : Press Alarm/hold 3 sec for Filter Reset button for 3 seconds when you exchange the water filter. The Filter icon will be red to let you know the time to change the old water filter after 6 months (about 300 gallons). Filter Icon color will be blue again if you exchange new water filter and press this button for 3 seconds.</b></p> <p> <b>Some area has a lot of lime water.It makes water filter clog quickly.</b></p>





<p><b>(4) Lighting</b></p> 	<p>Press the Lighting button to turn on the Dispenser LED lamp. This icon will light up when you press the Lighting button. In this case, the dispenser light (under the display) will be on constantly. If you would like the dispenser light to come on only when using the dispenser, turn the Lighting mode off.</p>
<p><b>(5) Power Cool</b></p>  	<p>Press the Power Cool button to speed up the time needed to cool products in refrigerator. This icon will light up when you press the Power Cool button. Power Cool is great when you need cool products in the refrigerator. It can be helpful if you need to quickly cool easily spoiled items or if the temperature in the fridge has warmed dramatically (For example, if the door was left open). If you want to cancel the Power Cool mode, just press the same button again. After 2 and a half hours, Power Cool mode will turn off automatically to decrease energy consumption.</p> <p><b>The compressor will operate highly if you choose Power Cool mode. Then the driving sound is more louder than normal operation</b></p>
<p><b>(6) Child Lock</b></p>  	<p>Press the Child Lock button not to use the Display panel or Dispenser functions. This icon will light up when you press the Lock button. In this case, you won't be able to use the control panel. If you press the Child Lock button to cancel the Lock function, you will be able to use the control panel again.</p> <p><b>Check the Child Lock function when you can not use the control panel.</b></p>
<p><b>(7) Cubed</b> <b>(8) Crushed</b></p>   <p>(Cubed) (Crushed)</p>	<p>Press the Cubed or Crushed button to select your desired ice type. Cubed and crushed ice modes will be alternatively changed whenever you press the button. Enjoy cubed or crushed ice by selecting your preference from the digital control panel. If you don't need ice, turn the function off to save on water and energy consumption. Each Ice type icon will light up by your selection.</p>
<p><b>(9) Ice Off</b></p>  <p>[ (7) + (8) ] Hold 3 sec</p>	<p>Press the Cubed( 7 ) and Crushed( 8 ) button at the same time 3 second, if you don't want to make more ice. The icon will light up and the Ice-Maker stops making ice.</p> <p> <b>In this case of following, it is recommended to stop making ices.</b></p> <ul style="list-style-type: none"> <li>- There are enough ices in the ice bucket.</li> <li>- You want to save on water and energy.</li> <li>- Water does not supply to refrigerator.</li> </ul> <p> If ice maker function is ON, and water line is not connected, there will be a water valve noise from back of unit. Press the Cubed( 7 ) and Crushed( 8 ) button until Ice Off indicator (  ) illuminated.</p>

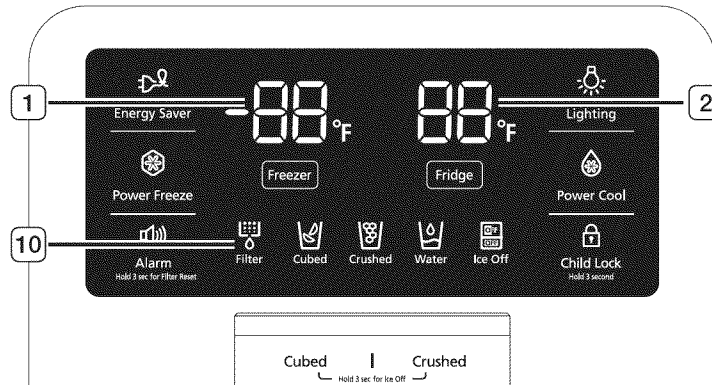
## USING THE CONTROL PANEL

Freezer Temp ( **1** ) indicates the current freezer temperature.

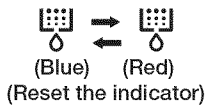
Fridge Temp ( **2** ) indicates the current refrigerator temperature.

If you do not press any button, freezer & fridge temperature indicator will turn off in a few seconds.

If any button is pressed, the display will light up again.



### (10) Filter



### Water filter usage

1. Normally the filter indicator is Blue (Yellow Green) when you purchase or install our refrigerator.
2. If you use water about 270 gallons, the filter indicator will be Light Pink.
3. If you use water about 300 gallons, the filter indicator will be Red.
4. Remove the old water filter and install new one when the filter indicator is red. And reset the filter indicator by pressing Alarm/Hold 3 sec for Filter Reset button for 3sec. (The filter indicator will be blue or yellow green when the indicator is reset.)

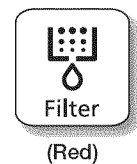
- If water is not dispensing or dispensing slowly, you need to replace water filter. Because the water filter clogged.
- Some area has a lot of lime water. It makes water filter clog quickly.

## CHANGING THE WATER FILTER

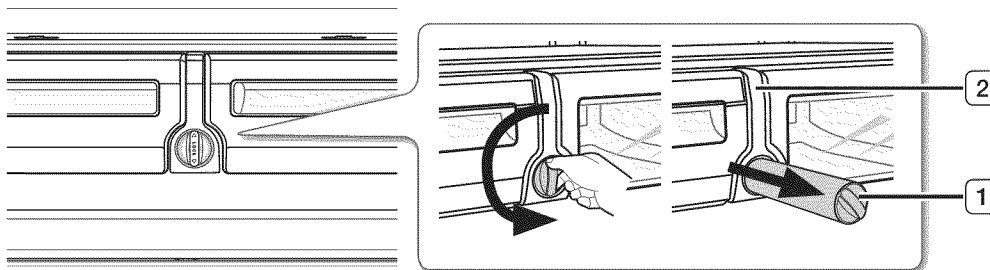
The Filter light let you know when it is time to change your water filter cartridge.

To give you preparation time to get a new filter, the red light will come on just before the capacity of the current filter runs out.

Changing the filter on time provides you with the freshest, cleanest water from your refrigerator.

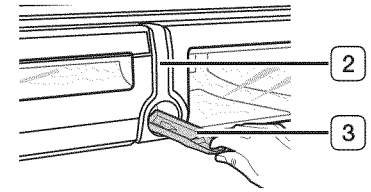


1. Turn the water filter ( **1** ) about 1/4 turn, counter-clockwise.
2. Pull the water filter ( **1** ) from the case filter ( **2** ).
  - To change the water filter more easily, shut off the water supply valve.

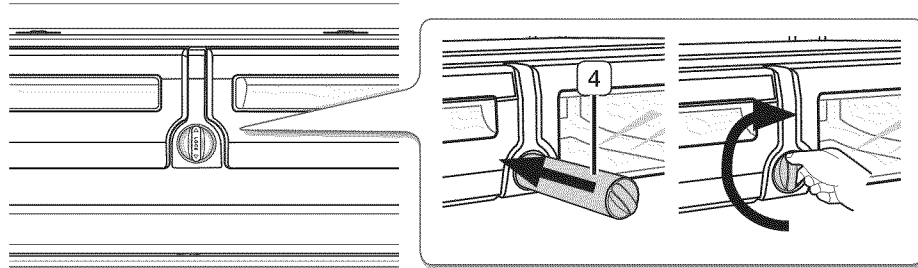


- Sometimes, it is hard to disassemble the water filter because of impurities in water. In this case, put the grip of water filter and pull it hard.

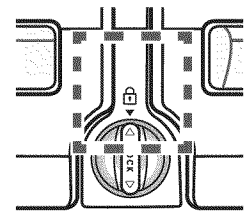
- ☞ When you pull the water filter, a little of water can be leaked. It is normal. To minimize the water leak, keep the filter cartridge horizontal or down the grip when you pull it.
- In order to prevent overflow, empty the tray water filter ( 3 ). And dry around of case filter ( 2 ).

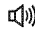



3. Insert new one into the case filter ( 4 )
4. Push and turn the water filter clockwise, until it locked.



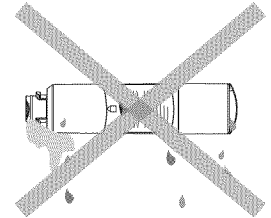
- ☞ If you are in trouble of inserting the water filter as high pressure of water, shut off the water supply valve.
- The locked symbol should be lined up with the indicator line.



5. After above steps, press the "**Alarm/hold 3 sec for Filter Reset**" button (  ) (Filter Reset) for about 3 seconds to reset the water filter. The color of indicator (  ) will be changed from Red to Blue.

## Removing any residual matter inside the water supply line after installing the water filter.

1. Turn ON the main water supply and supply water from water supply line.
2. Run water through the dispenser until the water runs clear (approx. 6-7 minutes). This will clean the water supply system and remove air from the lines.
3. Additional flushing may be required in some households.
4. Open the Refrigerator door and make sure there are no water leaks coming from the water filter.



- ☞ Be sure to flush the dispenser thoroughly, otherwise water may drip from the dispenser. This means that there is still air in the line.

## Reverse Osmosis Water Supply

**IMPORTANT** : The pressure of the water supply coming out of a reverse osmosis system going to the water inlet valve of the refrigerator needs to be between 35 and 120 psi (241 and 827 kPa).

If a reverse osmosis water filtration system is connected to your cold water supply, the water pressure to the reverse osmosis system needs to be a minimum of 40 to 60 psi (276 to 414 kPa.)

If the water pressure to the reverse osmosis system is less than 40 to 60 psi (276 to 414 kPa):

- Check to see whether the sediment filter in the reverse osmosis system is blocked. Replace the filter if necessary.
- Allow the storage tank on the reverse osmosis system to refill after heavy usage.
- If your refrigerator has a water filter, it may further reduce the water pressure when used in conjunction with a reverse osmosis system. Remove the water filter.

If you have questions about your water pressure, call a licensed, qualified plumber.

# Operating your French Door Refrigerator

## CONTROLLING THE TEMPERATURE

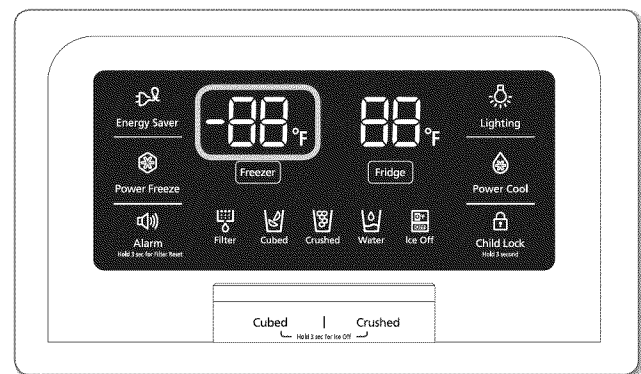
### Basic temperature of Freezer and Refrigerator Compartments

The basic temperature and/or recommended temperatures of the Freezer and Refrigerator Compartments are -2°F and 38°F respectively.

If the temperature of Freezer and Refrigerator Compartments are too high or low, adjust the temperature manually.

### Controlling the Freezer temperature

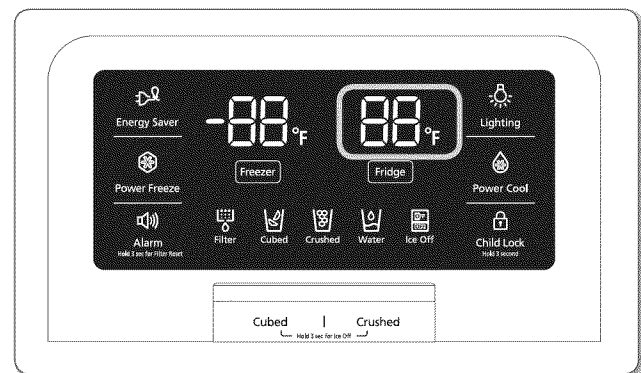
The Freezer temperature can be set between -8°F and 8°F to suit your particular needs. Press the Freezer button repeatedly until the desired temperature is shown in the temperature display. The temperature will move 2°F degrees with each press (-2°F → -4°F → -6°F → -8°F → 8°F → 6°F → 4°F → 2°F → 0°F → -2°F). Keep in mind that foods like ice cream may melt at 4°F. The temperature display will move sequentially from -8°F to 8°F. Five seconds after the new temperature is set, the display will show the actual current freezer temperature until the new temperature is reached.



Recommend Temp (Freezer) : -2F

### Controlling the fridge temperature

The fridge temperature can be set between 46°F and 34°F to suit your particular needs. Press the Fridge button repeatedly until the desired temperature is shown in the temperature display. The temperature will move 2°F degrees with each press (38°F → 36°F → 34°F → 46°F → 44°F → 42°F → 40°F → 38°F). The temperature control process for the Fridge works just like the Freezer process. Press the Fridge button to set your desired temperature. After a few seconds, the Fridge will begin adjusting towards the newly set temperature. This will be reflected in the digital display.



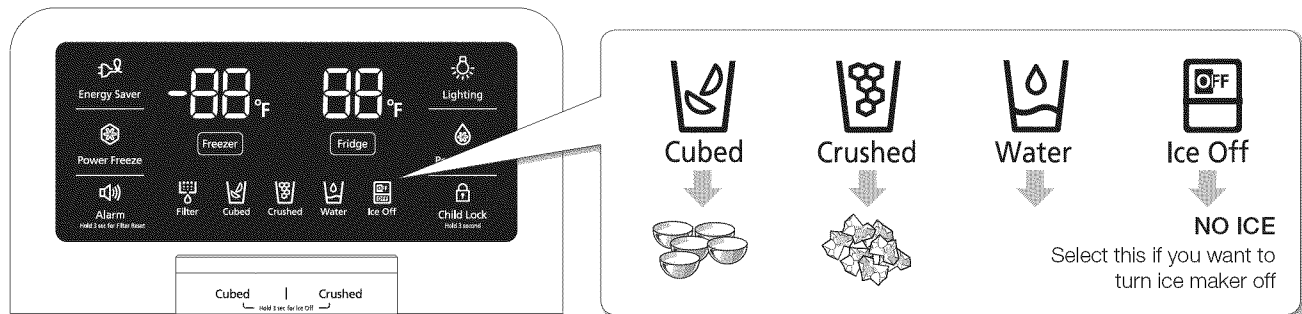
Recommend Temp (Fridge) : 38F



- The temperature of the Freezer, fridge or Convertible Room may rise when you open the doors too frequently, or if a large amount of warm or hot food is placed inside.
- This may cause the digital display to blink. Once the Freezer and fridge temperature return to their normal set temperatures, the blinking will stop.
- If the blinking continues, you may need to “reset” the Refrigerator. Try unplugging the appliance, wait for around 10 minutes and then plug the power cord back in.
- If there is an communication error between the Display and Main Controller, the Convertible Display light may blink. Once the normal set temperatures are reached, the blinking will stop. If the blinking continues for a long period of time, please contact a Samsung Electronics Service Center.

## USING THE TWO LEVER DISPENSER

Press the ice type or water button to select the type of you want

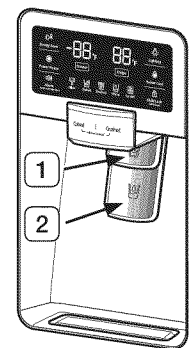


### Using the ice Dispenser ( 1 )

Place a glass underneath the two lever dispenser and push gently against the dispenser upper lever with your glass. Make sure the glass is in line with the dispenser to prevent the ice from bouncing out.

### Using the Water Dispenser ( 2 )

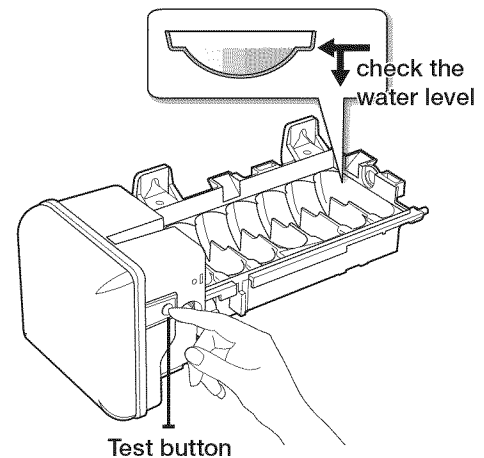
Place a glass underneath the two lever dispenser and push gently against the dispenser lower lever with your glass. Make sure the glass is inline with the dispenser to prevent the water from bouncing out.



- Before or during using, wash ice bin/bucket with a mild detergent, rinse well, and dry thoroughly it. Do not use harsh or abrasive cleaners or solvents.
- When Cubed Ice is selected after using the Crushed Ice mode, a small amount of residual crushed ice might be produced.
- In case ice doesn't come out, pull out the ice bucket and press the test button located on the right side of ice maker.
- Do not press the test button continuously when the tray is filled with ice or water. Water may overflow or ice jamming may occur.
- Normal Use

To fill the ice bucket to maximum capacity after installation, make sure to do the following steps.

1. Allow your refrigerator to operate and cool down for 24 hours (or 1 full day).
2. Waiting 24 hours will allow your ice maker to cool properly.
3. Dispense 4 to 6 ice cubes into the glass.
4. After 8 and 16 hours, dispense a full glass of ice.



- When you need to press the Test button, you will hear buzzer sound (ding-dong). Then you have to stop pressing it.
- Check the buzzer sound (ding-dong) again after 4-5 minutes.

# Operating your French Door Refrigerator



If a power failure occurs, ice cubes may melt then freeze together when the power comes back on, causing the dispenser to be out of order.

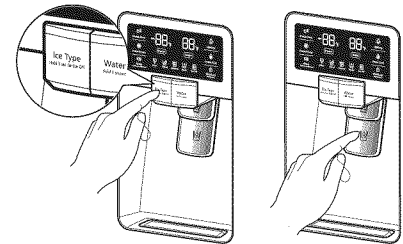
To prevent this problem, pull out the ice bucket and discard the residual ice or water.



When you dump the ice from the ice bucket, you should press the dispenser lever once with 'ICE CUBED' or 'CRUSHED' function ON to get new ice faster after replacing the ice bucket in the refrigerator.

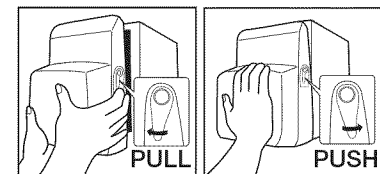


If you use all the ice at once, steps 3 and above 4 must be repeated (before dispensing the first 4 to 6 ice cubes, you need to wait 8 hours). This will replenish the ice cubes and ensure maximum ice production.



## Using the ice off Function

When selecting the Ice Off mode, remove all ice cubes from the bucket. If you are not using the ice dispenser, the ice cubes may clump together. Pull the lock lever forward to throw away ice cubes or remove clumped ice from the bucket. Push the bucket back until you hear a click.



Use only the ice maker provided with the refrigerator. The water supply to this refrigerator must only be installed/connected by a suitably qualified person and connect to a potable water supply only.

In order to operate the ice maker properly, water pressure of 138 ~ 862Kpa is required.

If you have a long vacation or business trip and won't use water or ice dispensers, close the water valve.

- Otherwise, water leakage may occur.

Wipe excess moisture from inside and leave the doors open.

- Otherwise, odor and mold may develop.

Do not put your fingers, hands or any other unsuitable objects in the chute or ice-maker bucket.

- It may result in personal injury or material damage.

Never put your finger or any other objects in the dispenser opening.

- It may cause injury.

Do not try to disassemble the ice maker.

Do not wash or spray the ice bucket with water.



### Water clouding phenomenon

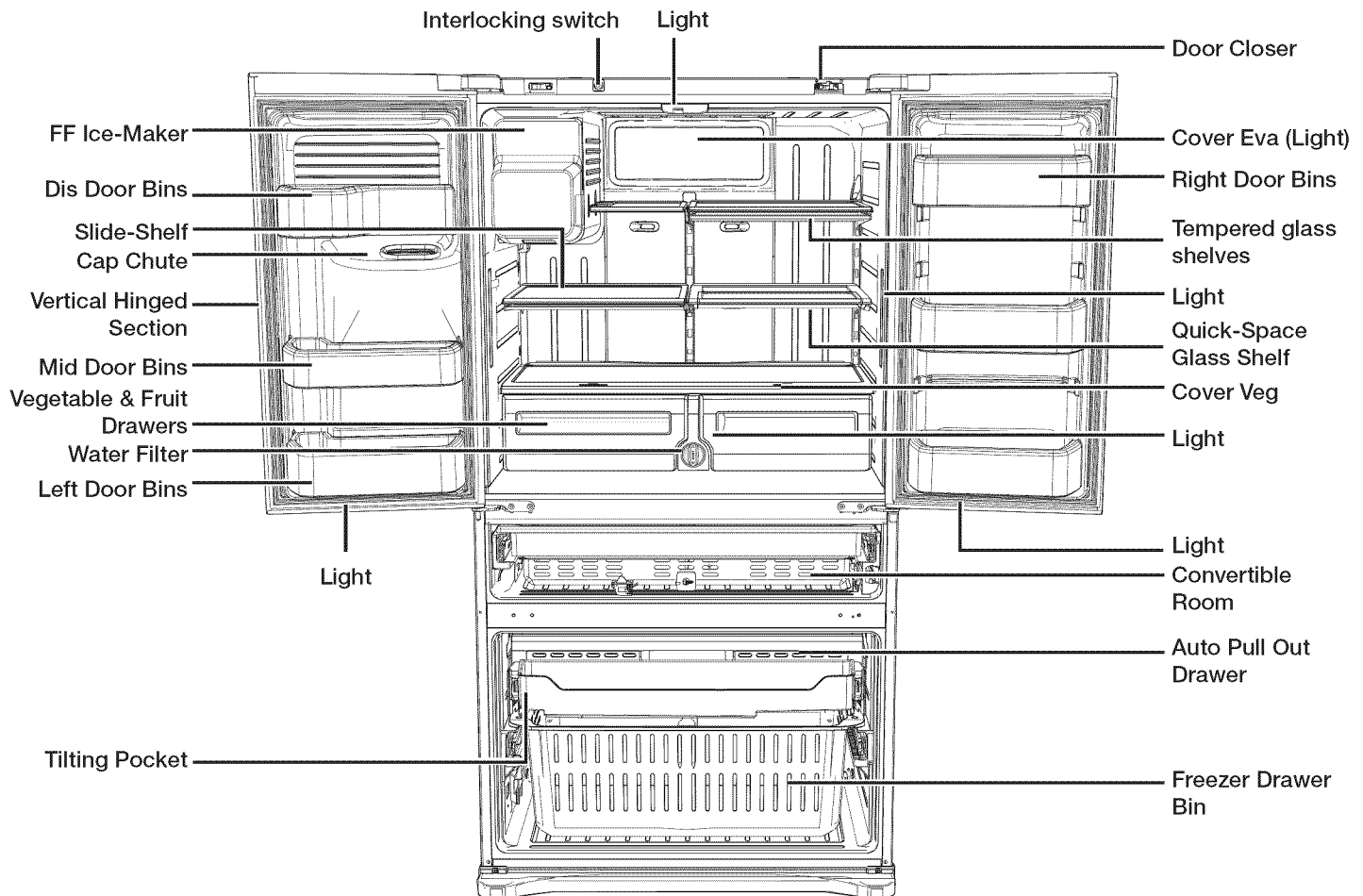
All water provided to refrigerators flows through the core filter which is an alkaline water filter. In this process, the pressure in the water that has flowed out of the filter gets increased, and oxygen and nitrogen become saturated. When this water flows out in the air, the pressure plummets and the oxygen and nitrogen get supersaturated, which results in gas bubbles. The water may temporarily look misty or cloudy due to these oxygen bubbles. After a few seconds, the water will look clear.



Please wait 1 second before removing the cup after dispensing water to prevent spills. Do not pull out the lever dispenser after taking out ice or water. It comes back automatically. Ice is made in cubes. When you select "Crushed", the ice maker grinds the ice cubes into crushed ice.

## PARTS AND FEATURES

Use this page to become more familiar with the parts and features of the refrigerator.



When closing the door, make sure the Vertical Hinged Section is in the correct position to avoid scratching the other door.

If the Vertical Hinged Section is reversed, put it back to the right position and close the door.

Moisture may occur at times on the Vertical Hinged Section.

The door handle may become loose over time. If this happens, tighten the bolts found on the inside of the door.



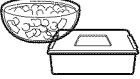


If you close one door with a lot of force, the other door may open.




When the door opens, the interlock switch automatically turns off the auger motor in the ice maker for safety reasons.


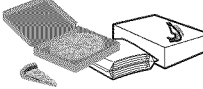

## STORING FOOD IN THE REFRIGERATOR


The Samsung Refrigerator has been designed to provide you with maximum space saving features and functions. Here are some of the customized compartments we have created to keep your food fresher longer. In order to further prevent odor from seeping into the ice compartment, stored food should be wrapped securely and as airtight as possible.


- |  |   |   |
|--|---|---|
| <b>(1) DAIRY COMPARTMENT</b>             | Can be used to store small dairy items like butter or margarine, yogurt or cream cheese bricks  |    |
| <b>(2) DOOR BINS</b>                     | Designed to handle large, bulky items such as gallons of milk or other large bottles and containers.  |    |
| <b>(3) TEMPERED GLASS SHELVES</b>        | Designed to be crack-resistant, the shelves can be used to store all types of food and drinks. Circular marks on the glass surface are a normal phenomenon and can usually be wiped clean with a damp cloth.          |    |
| <b>(4) VEGETABLE &amp; FRUIT DRAWERS</b> | Used to preserve the freshness of your stored vegetables and fruits. This drawer could control the level of humidity for items that must keep the enough moisture. Keep vegetables and fruits separate when possible. |    |
| <b>(5) COOL SELECT CONVERTIBLE PLUS</b>  | Can be used for large party trays, deli items, pizzas, beverages or miscellaneous items.  |  |

 Do not place any large articles of food under the lamp in the fridge. An air sensor is located near the lamp and if the sensor is blocked, your fridge may become too cold. Please place vegetable and fruits in the vegetable and fruit drawers to avoid freezing them. If the food in your fridge becomes frozen, please set the temperature higher.

## STORING FOOD IN THE FREEZER DRAWER

- |  |   |   |
|--|---|---|
| <b>(6) AUTO PULL OUT &amp; SUPER EXTENDED DRAWER</b> | Best used to store meats or dry foods. Stored food should be placed in a container or wrapped securely using foil or other suitable wrapping materials.   |  |
| <b>(7) TILTING POCKET</b>                            | Can be used for small packages of frozen food. You can store a 16" pizza.   |  |
| <b>(8) FREEZER DRAWER BIN</b>                        | Can be used to store meat and dry foods. Stored food should be placed in a container or wrapped securely using foil or other suitable wrapping materials. |  |

 Bottles should be stored tightly together so that they do not tip and fall out when the fridge door is opened.

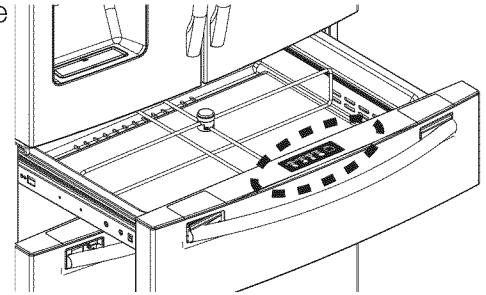
 If you plan to go away for a long time, empty the fridge and turn it off. Wipe the excess moisture from the inside of the appliance and leave the doors open.



# Operating your French Door Refrigerator

## USING FLEX ZONE

The Flex Zone is a full-width room with an adjustable temperature control. This Flex room can be used for large party trays, deli items, wines, pizzas, beverages or miscellaneous items. There is a temperature sensor which can adjust the amount of cold air allowed into the room. The control buttons are located on the cap door center.



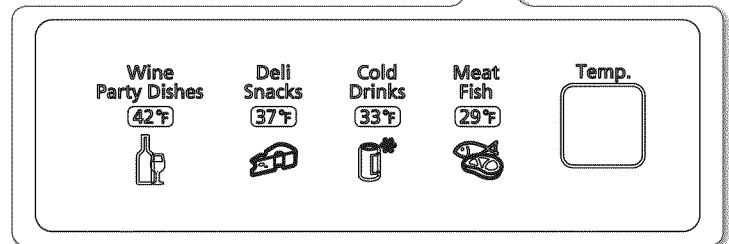
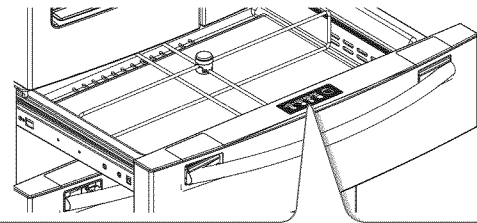
- Press the Temp button repeatedly until your desired mode is selected.
- The Meat/Fish mode (29°F), Cold Drinks mode (33°F), and Deli/Snack (37°F) or Wine/Party Dishes (42°F) mode will be selected whenever you press the Temp button. Initially, the Chilled Beverage mode is set. Though the set temperature is different from the current temperature, the temperature will be changed to the set temperature automatically.
- The Flex Zone Temp. Display may change depending on the amount of items inside and where they are located, the ambient temperature, and how often the door is opened.

### Temperature

You can select your Flex room temperature from among Meat/Fish mode (29°F), Cold Drinks mode (33°F), and Deli/Snack (37°F) or Wine/Party Dishes (42°F) mode.

### Selection Button

1. When **“Wine/Party Dishes”** is selected, the temperature of Flex room will be kept around 42°F(5°C). This feature helps keep food fresh for a long time.
2. When **“Deli/Snack”** is selected, the temperature of Flex room will be kept around 37°F(3°C). This feature helps keep food fresh for a longer time.
3. When **“Cold Drink”** is selected, the temperature of Flex room will be kept around 33°F(1°C). This feature also helps keep cold drink for a longer time.
4. When **“Meat/Fish”** is selected, the temperature of Flex room will be kept around 29°F(-1°C). This feature also helps keep meat or fish fresh for a longer time.



#### Wine Party Dishes

- wine
- cocktail
- cakes
- cheeses

#### Deli Snacks

- pineapples
- lemons
- biscuit
- potatoes

#### Cold Drinks

- Budwise
- juice
- coke
- beer

#### Meat Fish

- steaks
- cold cuts
- bacon
- chili dogs



Fruits and vegetables may be damaged under the “Meat Fish” setting. Do not store lettuce or other leafy produce in the Flex room.



Do not store glass bottles in the Flex room. If they are frozen, they can break and cause personal injury.

# Operating your French Door Refrigerator

## REMOVING THE REFRIGERATOR ACCESSORIES

### 1. Door Bins & Dairy Compartment

To remove - Simply lift the bin up and pull straight out.

To relocate - Slide it in above the desired location and push down until it stops.

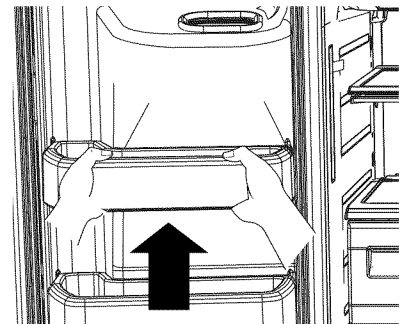


Injury may occur if the door bins are not firmly assembled.  
Do not allow children to play with bins. Sharp corners of the bins may cause injury.



Do not adjust a bin full of foods.

Dust removal method -Remove the guard and wash in water.



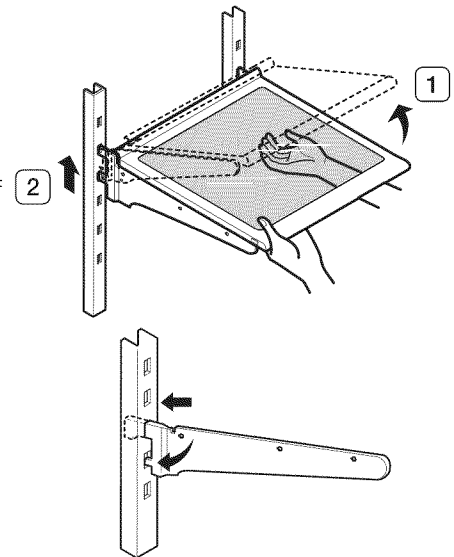
### 2. Tempered Glass shelves

To remove - Tilt up the front of the shelf in the direction shown ( **1** ) and lift it up vertically ( **2** ) . Pull the shelf out.

To relocate - Tilt the front of the shelf up and guide the shelf hooks into the slots at a desired height. Then lower the front of the shelf so that the hooks can drop into the slots.



The Tempered Glass shelves are heavy.  
Use special care when removing them.



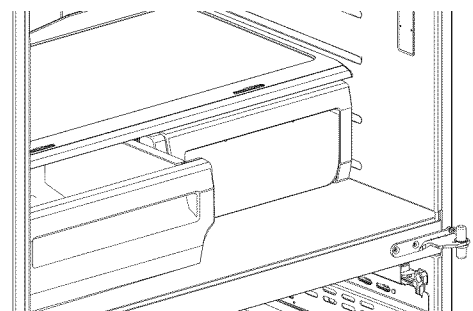
### 3. Vegetable & Fruit Drawers

To remove - Pull the drawer out to full extension. Tilt up the front of the drawer and pull straight out.

To relocate - Insert the drawer into the frame rails and push back into place.



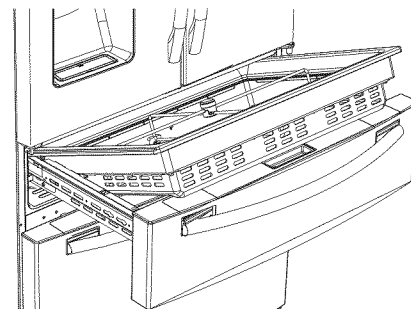
The drawers need to be removed before the glass shelf above them can be lifted out.



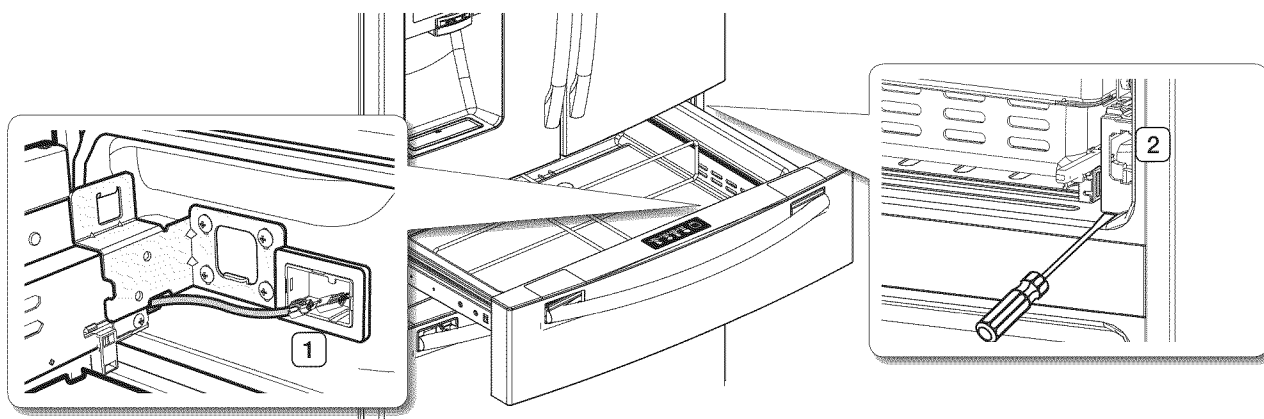
## 4. Flex Zone

To remove the Flex room – Pull the Flex door out to full extension. And lift Flex room up, pulling it to your body with both hands.

To relocate the Flex room – Open the Flex room to full extension. In this condition, make Flex room reached to rail slantingly and push it forward.



**When the Flex Zone or LED lighting are not working, Check the connectors [ ( 1 ), ( 2 ) ] for cracks or leaks.**



1. Refer to page 11.
2. Open the cover housing with a flat-blade screwdriver.

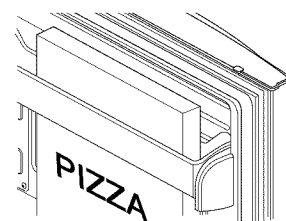
## Using the doors

The refrigerator doors ensure that the doors close all the way and are securely sealed.

When the refrigerator door is only partially open, it will automatically close. But, the door will stay open when opened more than the auto close range.

## Using the tilting pocket

The Tilting Pocket can be used to store up to a 16" pizza if you place it as shown in the illustration.



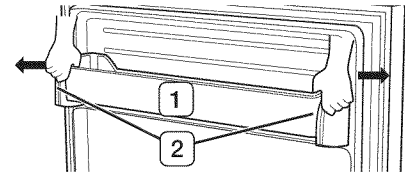
# Operating your French Door Refrigerator

## REMOVING THE FREEZER ACCESSORIES

### 1. Tilting Pocket

To remove - Pull both bracket the tilting pocket ( **1** ) by pulling both support guards ( **2** ) aside. And take out both support guards by pulling them aside.

To replace - Hook the ends of the pocket into both brackets ( **2** ) and push down until it locks into place.



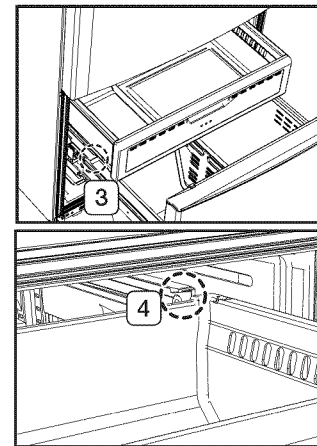
### 2. Super Extended Drawer

To remove - Pull the drawer out to full extension.

Tilt up the rear of the drawer and lift straight out.

To relocate - Place the drawer onto the rails( **4** ) by tilting it up.

Lower the drawer into place until it is horizontal and slide the Drawer( **3** ) in.



### 3. Freezer Drawer Bin

To remove the drawer - Pull the drawer out fully. Tilt up the rear of the bin and lift it out to remove.

To relocate the drawer - Place the bin into the rail assembly.

To remove the divider - Pull the divider straight up.

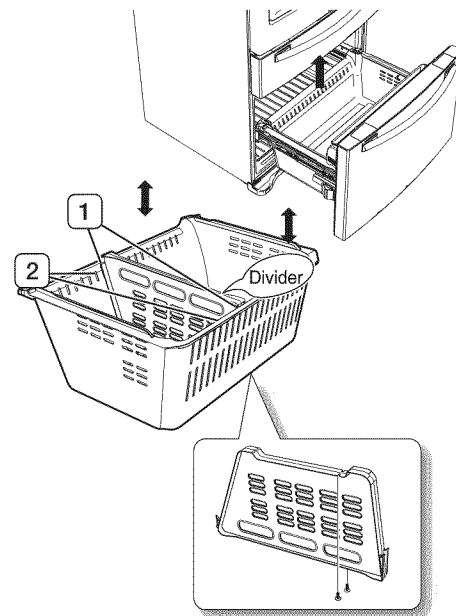
To relocate the divider - Hook the top corners of divider( **1** ) over the hole of the bin( **2** ).



Do not allow baby or children go inside the drawer bin. They could damage the refrigerator and seriously injure themselves. Do not sit on the freezer door. The door may break. Do not allow children to climb into the freezer basket.



If you remove the divider to clean the basket bin, you must reinstall the divider using 2 screws after cleaning to prevent children from getting trapped inside the basket.



## FOOD STORAGE TIPS

Foods	Refrigerator	Freezer	Storage Tips
<b>DAIRY PRODUCTS</b>			
Butter	2-3 Weeks	6-9 Months	Wrap or cover tightly.
Milk	1-2 Weeks	Not recommended	Check date code. Most milk and similar products are sold in date-coded cartons that indicate a product's peak freshness. Re-seal with cap or wrap tightly. Do not return unused portions to original container.
Cream Cheese, cheese food, and cheese spread	2-4 Weeks	Not recommended	Check date code. Keep all cheese tightly packed in moisture proof wrap
Hard Cheese (un-opened)	3-4 Months	6 Months	
Hard Cheese (opened)	2 Months	Not recommended	
Cottage Cheese	10-15 Days	Not recommended	Check date code. Most yogurt, creams, and similar products are sold in date-coded cartons that indicate a product's peak freshness. Re-seal or cover tightly. Do not return unused portions to original container.
Cream	7-10 Days	2 Months	
Sour Cream	2 Weeks	Not recommended	
Cream Dips (opened)	1 Week	Not recommended	
Yogurt	10-14 Days	Not recommended	Check date code. Keep covered.
Frozen Yogurt	na	2 Months	
<b>EGGS</b>			
Eggs (uncooked)	3-4 Weeks	Not recommended	Check date code. Store eggs in coldest part of refrigerator and in their original container.
Eggs (cooked)	1 weeks	Not recommended	Store in covered container
Leftover egg dishes	3-4 Days	Not recommended	Store in covered container
<b>FRESH FRUITS</b>			
Apples	1 Month	Not recommended	If storing in refrigerator, do not wash fruit before storing. Store in moisture resistant bags or containers. Wrap cut fruits. Some fruits darken when refrigerated.
Bananas	2-4 Days	Not recommended	
Peaches, Melons, Pears, Avocados	3-5 Days	Not recommended	
Berries and Cherries	2-3 Days	12 Months	
Apricots	3-5 Days	Not recommended	
Grapes	2-5 Days	na	
Pineapple (un-cut)	2-3 Days	Not recommended	
Pineapple (cut)	5-7 Days	6-12 Months	
Citrus	1-2 Weeks	Not recommended	Store uncovered.
Juice	6 Days	Not recommended	Check date code and re-seal in original container. Do not return unused portions to original container.
Frozen Juice	Thawing only	12 Months	Check date code. Do not re-freeze.

# Operating your French Door Refrigerator

Foods	Refrigerator	Freezer	Storage Tips
<b>FISH AND SHELLFISH</b>			
<b>Fish</b>			
Fatty Fish (mackerel, trout, salmon)	1-2 Days	2-3 Months	Keep in original wrapper and store in coldest part of refrigerator. Package in vapor-proof and moisture proof wrap for freezer. Freeze at 0°F. Thaw in refrigerator or Check date code. Freeze in original packaging.
Lean Fish (cod, flounder, etc)	1-2 Days	6 Months	
Frozen or Breaded	na	3 Months	
<b>Shellfish</b>			
Shrimp (uncooked)	1-2 Days	12 Months	To freeze package in vapor-proof and moisture-proof container.
Crab	3-5 Days	10 Months	
Cooked Fish or Shellfish	2-3 Days	3 Months	
<b>MEAT</b>			
<b>Fresh, Uncooked</b>			
Chops	2-4 Days	6-12 Months	Check date code for use. Store in coldest part of refrigerator in original packaging. Add more packaging in moisture-proof and vapor-proof container for freezing. Recommended refrigerator temperature 33°F to 36°F and freezer temperature 0°F to 2°F
Ground	1 Day	3-4 Months	
Roast	2-4 Days	6-12 Months	
Bacon	1-2 Weeks	1-2 Months	
Sausage	1-2 Days	1-2 Months	
Steak	2-4 Days	6-9 Months	
Poultry	1 Day	12 Months	
Lunch meat	3-5 Days	1 Month	
<b>Cooked</b>			
Meat	2-3 Days	2-3 Months	Check date code for use. Store in coldest part of refrigerator in original packaging. Package in moisture-proof and vapor-proof container for freezing.
Poultry	2-3 Days	4-5 Months	
Ham	1-2 weeks	1-2 Months	

## Sources:

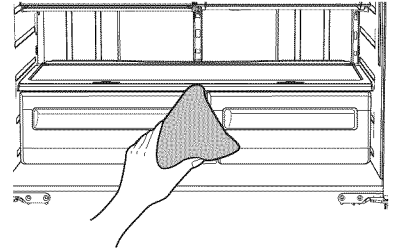
American Meat Institute Foundation. 1994. Yellow pages: answers to predictable questions consumers ask about meat and poultry. American Meat Institute Food Marketing Institute. 1999. The food keeper. Food Marketing Institute, Washington, D.C. Freeland-Graves, J.H. and G.C. Peckham. 1996. Foundations of food preparation, 6th ed. Prentice-Hall, Inc. Englewood Cliffs, NJ. Hillers, V.N. 1993. Storing foods at home. Washington State University Cooperative Extension, Pullman, WA. Publ. EB 1205. National Restaurant Association. 2001. Be cool-chill out! Refrigerate promptly. National Restaurant Association Education Foundation's International Food Safety Council, Washington, D.C. USDA. 1997. Basics for handling food safely. U.S. Department of Agriculture, Food Safety and Inspection Service, Washington, D.C.

## CLEANING THE REFRIGERATOR

Caring for your Samsung French Door Refrigerator prolongs the life of your appliance and helps keep the refrigerator from odor and germ.

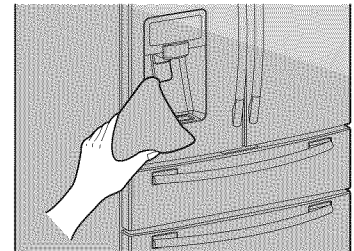
### Cleaning the Interior

Clean the inside walls and accessories with a mild detergent and then wipe dry with a soft cloth. You can remove the drawers and shelves for a more thorough cleaning. Just make sure to dry drawers and shelves before putting them back into place.



### Cleaning the Exterior

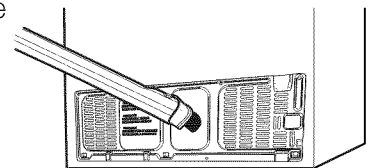
Wipe the control panel and digital display with a damp, clean, and soft cloth. Do not spray water directly on the surface of the refrigerator. The doors, handles and cabinet surfaces should be cleaned with a mild detergent and then wiped dry with a soft cloth. To keep your appliance in best looking, the exterior should be polished once or twice a year.



Do not use Benzene, Thinner or Clorox for cleaning. They may damage the surface of the appliance and may cause fire.

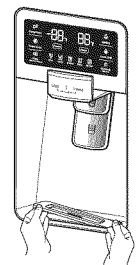


Printed letters on the display may be erased if the stainless cleaner is applied directly to the area where the letters are printed.



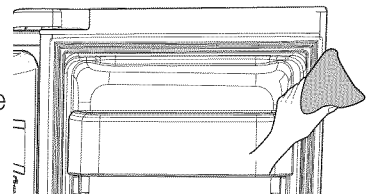
### Cleaning the Ice / Water Dispenser

Push down one end of the tray dispenser and remove it. Wipe the Ice / Water Dispenser with a clean and soft cloth.



### Cleaning the Rubber door seals

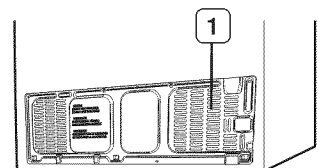
If the rubber door seals are dirty, the doors may not close properly, and the refrigerator will not operate efficiently. Keep the door seals free of dust or stain by cleaning the doors with a mild detergent and damp cloth. Wipe dry with a clean and soft cloth.



Do not clean the refrigerator with benzene, thinner or car detergent due to risk of fire.

### Cleaning the rear side of the refrigerator

To keep cords and exposed parts free of dust and dirt accumulation, vacuum the rear side of the appliance once or twice a year.



Do not remove the back cover( 1 ). It may cause an electric shock.

# Troubleshooting

## TROUBLESHOOTING

PROBLEM	SOLUTION
<b>The refrigerator does not work at all or it does not chill sufficiently.</b>	<ul style="list-style-type: none"> <li>• Check that the power plug is properly connected.</li> <li>• Check the set temperature on the digital display is warmer than freezer or fridge inner temperature.</li> <li>• Set the refrigerator colder.</li> <li>• Is the refrigerator in direct sunlight or located near a heat source?</li> <li>• Is the back of the Refrigerator too close to the wall and therefore keeping air from circulating?</li> </ul>
<b>The food in the fridge is frozen.</b>	<ul style="list-style-type: none"> <li>• Check the set temperature on the digital display is too low.</li> <li>• Try setting it to a warmer temperature.</li> <li>• Is the temperature in the room too low? Set the refrigerator warmer.</li> <li>• Did you store the food which is juicy in the coldest part of the refrigerator?</li> <li>• Try moving those items on the other shelves in fridge instead of keeping them in the Cool Select PantryPLUS.</li> </ul>
<b>You hear unusual noise or sounds.</b>	<ul style="list-style-type: none"> <li>• Check that the refrigerator is level and stable.</li> <li>• Is the back of the refrigerator too close to the wall and therefore keeping air from circulating?</li> <li>• Try locate the refrigerator keep away from the wall over 2 inches.</li> <li>• Was anything dropped behind or under the refrigerator?</li> <li>• A “ticking” sound is heard from inside the refrigerator. It is normal and occurs because various accessories are contracting or expanding according to the temperature of the refrigerator interior.</li> </ul>
<b>The cabinet-door sealing area of the appliance is hot and condensation is occurring.</b>	<ul style="list-style-type: none"> <li>• Some heat is normal as anti-condensators are installed in the vertical hinged section of the refrigerator to prevent condensation.</li> <li>• Is the refrigerator door ajar? Condensation can occur when you leave the door open for a long time.</li> <li>• If a sound that hit something is heard from inside the refrigerator, It is normal. The sound comes due to ice cubes rubbing in the bucket periodically.</li> </ul>
<b>Ice Maker is not producing ice.</b>	<ul style="list-style-type: none"> <li>• Did you wait for 12 hours after installation of the water supply line before making ice?</li> <li>• Is the water line connected and the shut-off valve opened?</li> <li>• Did you manually stop the ice making function?</li> <li>• Is the freezer temperature too warm? Try setting the freezer temperature lower.</li> </ul>
<b>You can hear water bubbling in the refrigerator.</b>	<ul style="list-style-type: none"> <li>• This is normal. The bubbling comes from refrigerant circulating through the refrigerator.</li> </ul>
<b>There is a bad smell in the refrigerator.</b>	<ul style="list-style-type: none"> <li>• Check for spoiled food.</li> <li>• Foods with strong odors(for example, fish) should be tightly covered.</li> <li>• Clean out your freezer periodically and throw away any spoiled or suspicious food.</li> </ul>
<b>Frost forms on the walls of the freezer.</b>	<ul style="list-style-type: none"> <li>• Is the air vent blocked? Remove any obstructions so air can circulate freely.</li> <li>• Allow sufficient space between the foods stored for efficient air circulation.</li> <li>• Is the freezer drawer closed properly?</li> </ul>
<b>Water dispenser is not functioning.</b>	<ul style="list-style-type: none"> <li>• Is the water line connected and the shut-off valve opened?</li> <li>• Has the water supply line tubing been crushed or kinked?</li> <li>• Make sure the tubing is free and clear of any obstruction.</li> <li>• Is the water tank frozen because the fridge temperature is too low? Try selecting a warmer setting on the Digital display.</li> </ul>
<b>Auto close system does not work with the freezer door.</b>	<ul style="list-style-type: none"> <li>• Is there an imbalance between the right and left parts of the door?</li> <li>• Close and open the door smoothly 1~2 times. Then, the auto close system will be worked well again.</li> <li>• Try opening the door smoothly to avoid the unbalance between the right part and the left part of the door.</li> </ul>



# Warranty

---

## **WARRANTY ON SAMSUNG REFRIGERATOR (28 CUBIC FEET AND LARGER CAPACITY)**

---

### LIMITED WARRANTY TO ORIGINAL PURCHASER

This Samsung brand product, as supplied and distributed by Samsung Electronics America, Inc. (Samsung) and delivered new, in the original carton to the original consumer purchaser, is warranted by Samsung against manufacturing defects in materials and workmanship for a limited warranty period of:

**One (1) year Parts and Labor on Refrigerator**

**Five (5) years Parts and Labor on sealed Refrigeration system only\***

(\*Compressor, evaporator, condenser, drier, connecting tubing)

This limited warranty begins on the original date of purchase, and is valid only on products purchased and used in the United States. To receive warranty service, the purchaser must contact Samsung for problem determination and service procedures. Warranty service can only be performed by a Samsung authorized service center. The original dated bill of sale must be presented upon request as proof of purchase to Samsung or Samsung authorized service center.

Samsung will repair or replace any part found to be defective, at our option and at no charge as stipulatedX herein, with new or reconditioned parts during the limited warranty period specified above. All replaced parts and products become the property of Samsung and must be returned to Samsung. Replacement parts and products assume the remaining original warranty, or ninety (90) days, whichever is longer.

In-home service will be provided during the warranty labor period subject to availability within the contiguous United States. In-home service is not available in all areas. To receive in-home service, the product must be unobstructed and accessible from floor level to service personnel. If during in-home service repair cannot be completed, it may be necessary to remove, repair and return the product. If in-home service is unavailable, Samsung may elect, at our option, to provide for transportation of our choice to and from a Samsung authorized service center. Otherwise, transportation to and from the Samsung authorized service center is the responsibility of the purchaser.

This limited warranty covers manufacturing defects in materials and workmanship encountered in normal, noncommercial use of this product, and shall not apply to the following, including, but not limited to: damage which occurs in shipment; delivery and installation; applications and uses for which this product was not intended; altered product or serial numbers; cosmetic damage or exterior finish; accidents, abuse, neglect, fire, water, lightning or other acts of nature; use of products, equipment, systems, utilities, services, parts, supplies, accessories, applications, installations, repairs, external plumbing and leaks, external wiring, circuit breakers, fuses or connectors not supplied and authorized by Samsung, or which damage this product or result in service problems; incorrect electrical line voltage, fluctuations and surges; customer adjustments and failure to follow operating instructions, cleaning, maintenance and environmental instructions that are covered and prescribed in the instruction book; loss of food due to spoilage; consumable items including filters and light bulbs.

THERE ARE NO EXPRESS WARRANTIES OTHER THAN THOSE LISTED AND DESCRIBED ABOVE, AND NO WARRANTIES WHETHER EXPRESS OR IMPLIED, INCLUDING, BUT NOT LIMITED TO, ANY IMPLIED WARRANTIES OF MERCHANTABILITY OR FITNESS FOR A PARTICULAR PURPOSE, SHALL APPLY AFTER THE EXPRESS WARRANTY PERIODS STATED ABOVE, AND NO OTHER EXPRESS WARRANTY OR GUARANTY GIVEN BY ANY PERSON, FIRM OR CORPORATION WITH RESPECT TO THIS PRODUCT SHALL BE BINDING ON SAMSUNG. SAMSUNG SHALL NOT BE LIABLE FOR LOSS OF REVENUE OR PROFITS, FAILURE TO REALIZE SAVINGS OR OTHER BENEFITS, OR ANY OTHER SPECIAL, INCIDENTAL OR CONSEQUENTIAL DAMAGES CAUSED BY THE USE, MISUSE OR INABILITY TO USE THIS PRODUCT, REGARDLESS OF THE LEGAL THEORY ON WHICH THE CLAIM IS BASED, AND EVEN IF SAMSUNG HAS BEEN ADVISED OF THE POSSIBILITY OF SUCH DAMAGES. NOR SHALL RECOVERY OF ANY KIND AGAINST SAMSUNG BE GREATER IN AMOUNT THAN THE PURCHASE PRICE OF THE PRODUCT SOLD BY SAMSUNG AND CAUSING THE ALLEGED DAMAGE. WITHOUT LIMITING THE FOREGOING, PURCHASER ASSUMES ALL RISK AND LIABILITY FOR LOSS, DAMAGE OR INJURY TO PURCHASER AND PURCHASER'S PROPERTY AND TO OTHERS AND THEIR PROPERTY ARISING OUT OF THE USE, MISUSE OR INABILITY TO USE THIS PRODUCT SOLD BY SAMSUNG NOT CAUSED DIRECTLY BY THE NEGLIGENCE OF SAMSUNG. THIS LIMITED WARRANTY SHALL NOT EXTEND TO ANYONE OTHER THAN THE ORIGINAL PURCHASER OF THIS PRODUCT, IS NONTRANSFERABLE AND STATES YOUR EXCLUSIVE REMEDY.

Some states do not allow limitations on how long an implied warranty lasts, or the exclusion or limitation of incidental or consequential damages, so the above limitations or exclusions may not apply to you. This warranty gives you specific legal rights, and you may also have other rights, which vary from state to state. To obtain warranty service, please contact Samsung at:

**SAMSUNG CUSTOMER CARE CENTER**

Samsung Electronics America, Inc. 400 Valley Road Suite 201 Mt. Arlington, NJ 07956  
1-800-sAMsunG (1-800-726-7864) and [www.samsung.com](http://www.samsung.com)

Memo

---



## QUESTIONS OR COMMENTS?

COUNTRY	CALL	OR VISIT US ONLINE AT	WRITE
U.S	800-SAMSUNG (800-726-7864)	<a href="http://www.samsung.com">www.samsung.com</a>	Samsung Electronics America, Inc. 400 Valley Road Suite 201 Mt. Arlington, NJ 07956
CANADA	800-SAMSUNG (800-726-7864)	<a href="http://www.samsung.com/ca">www.samsung.com/ca</a>	Samsung Electronics Canada Inc. Customer Service, 55 Standish Court Mississauga, Ontario L5R 4B2 Canada