



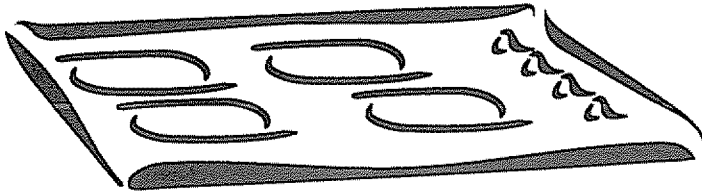
**30" Sealed
Gas Cooktop**

Use & Care Guide

**Cubierta para Cocinar a Gas
Sellada de 30"**

Guía para el Uso y Cuidado

Models, Modelos 911.32212, 32214, 32219



ENGLISH ESPAÑOL

229C4020**P265-1**
(SR-10470)

Sears, Roebuck and Co.,
Hoffman Estates, IL 60179 U.S.A.

www.sears.com

GAS COOKTOP

Table of Contents

SAFETY INSTRUCTIONS

Cooktop Safety	3-5
----------------	-----

OPERATION

Features Of Your Cooktop	6
Removal of Packaging Tape	6
Control Settings	7
Burner Ignition	7
Power Failure	8
Cooking Utensils And Woks	8
Home Canning Tips	8

CARE AND CLEANING

Control Panel	9
Porcelain Cooktop	9
Burner Grates	9
Burner Cap and Head	9
Control Knobs	9
Cooktop Burner Components	10

PROBLEM SOLVING

Before Calling for Service	11-12
Warranty	14
Consumer Service Numbers	28

For your convenience and future reference, please write down your model and serial numbers in the space provided. They are located under the cooktop unit.

MODEL NUMBER:

SERIAL NUMBER:

IMPORTANT SAFETY INSTRUCTIONS

SAVE THESE INSTRUCTIONS

Read all instructions before using this appliance. When using gas or electrical appliances, basic safety precautions should be followed, including the following:



WARNING!! If the information in this guide is not followed exactly, a fire, explosion or gas leak may result causing property damage, personal injury or death.

DO NOT STORE OR USE GASOLINE OR OTHER FLAMMABLE VAPORS AND LIQUIDS IN THE VICINITY OF THIS OR ANY OTHER APPLIANCE!

WHAT TO DO IF YOU SMELL GAS:



- Do not try to light any appliance.
- Do not touch any electrical switch; do not use any phone in your building.
- Immediately call your gas supplier from a neighbor's phone. Follow the gas supplier's instructions.
- If you cannot reach your gas supplier, call the fire department.

Installation and service must be performed by a qualified Installer, service agency or the gas supplier.



WARNING L.P. BURNER ADJUSTMENTS

If you intend to use Liquefied Petroleum Gas (bottled gas) all L.P. adjustments in the Installation Instructions must be made before using your cooktop.

If your cooktop is not properly adjusted, flames may be too high, or the cooktop may use too much fuel, release toxic fumes or cook poorly.

To insure safety for yourself, family and home, please read your Use and Care Guide carefully.

Keep it handy for reference. Pay close attention to the Safety sections

BE SURE your cooktop is installed and grounded by a qualified technician

IMPORTANT SAFETY INSTRUCTIONS



IMPORTANT SAFETY NOTICE!

The California Safe Drinking Water and Toxic Enforcement Act requires the governor of California to publish a list of substances known to the state to cause birth defects or other reproductive harm and requires businesses to warn customers of potential exposure to such substances.

Gas appliances can cause minor exposure to four of these substances, namely benzene, carbon monoxide, formaldehyde and soot, caused primarily by the incomplete combustion of natural gas or L.P. fuels. Properly adjusted appliances, indicated by the bluish rather than a yellow flame, will minimize incomplete combustion. Exposure to these substances can be minimized by further venting with an open window or using a ventilation fan or hood. The cooktop, as shipped from the factory, can only be operated with natural gas. High flames and toxic fumes could cause serious injury. If you wish to use your cooktop with L.P. gas, you must convert the cooktop following the procedure found in the installation instructions shipped with your appliance.

- **DO NOT** leave children alone or unattended near an appliance in use.
- **TEACH CHILDREN** not to play with controls or any part of the appliance, and not to sit, climb or stand on any part of the appliance
- **CAUTION: NEVER STORE** items of interest to children in cabinets above the appliance. Children climbing on the appliance could be seriously injured
- **KEEP THIS** book for later use
- **NEVER TRY** to repair or replace any part of the appliance unless instructions are given in this guide. All other work should be done by a qualified technician
- **NEVER USE** your appliance for warming or heating the room
- **ALWAYS KEEP** combustible wall coverings, curtains, dishcloths, towels, potholders and other linens a safe distance from the appliance
- **NEVER HEAT** unopened food containers. Pressure buildup can cause the container to burst and cause injury
- **NEVER LEAVE** containers of fat or drippings near your appliance
- **ALWAYS KEEP** the appliance area free from things that will burn. Food, wooden utensils, grease buildup, gasoline and other flammable vapors or liquids could catch fire. Plastic utensils could melt and canned foods could explode. Your appliance should never be used as a storage area
- **NEVER WEAR** loose-fitting clothing when using your appliance
- **NEVER TRY** to clean a hot surface. Some cleaners produce noxious fumes, and wet cloths or sponges could cause steam burns

IMPORTANT SAFETY INSTRUCTIONS

- **NEVER USE** a towel or other bulky cloth as a potholder. Make sure the potholder is dry. Moist potholders and wet cloths or sponges could cause steam burns. **DO NOT** let potholders touch hot burners.
- **DO NOT** touch cooktop burners or surfaces near them. These may be hot enough to cause burns even though they are dark in color. During and after use, do not touch or let clothing or flammable material contact the burners or hot surfaces until they have had time to cool.

COOKTOP SAFETY

- **ONLY** certain kinds of glass or ceramic cookware can be used for cooktop cooking. Make sure the cookware you choose to use is designed for cooktop cooking without breaking due to the sudden temperature change.
- **ALWAYS USE** care when touching cooktop burners. They will retain heat after the cooktop has been turned off.
- **COOKWARE USED** for cooktop cooking should be flat on the bottom and large enough to cover the heating area being used. Undersized utensils expose the open flame and may result in direct contact or ignition of clothing. The proper size utensil will also improve efficiency.

- **NEVER LEAVE** cooktop burners unattended at high settings. Boilovers result in smoking or greasy spills which could catch fire.
- **ALWAYS TURN** utensil handles inward and away from other surface burners to reduce the risk of burns, ignition, unintended contact and spillage.
- **WHEN PREPARING** flaming food under the vent hood, turn the fan on.
- **DO NOT COVER OR BLOCK** the area around the cooktop knobs. This area must be kept clear for proper ventilation and burner performance.

READ AND UNDERSTAND THIS INFORMATION NOW!

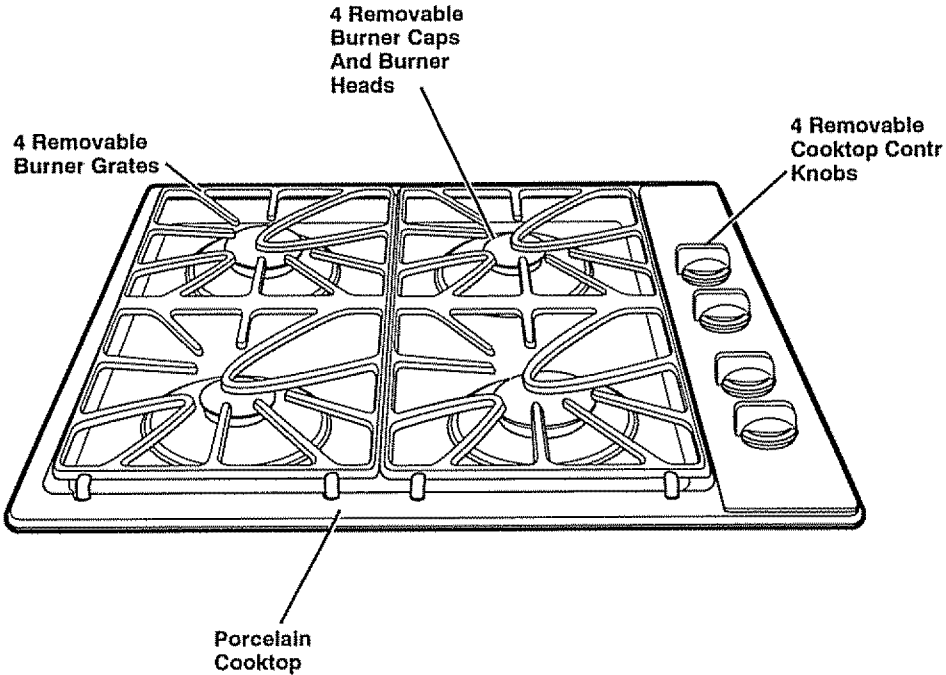
Be sure everyone in your home knows what to do in case of fire. Never use water on a grease fire; it will only spread the flames.

COOKTOP GREASE FIRE: Never pick up a flaming pan...

1. Turn off the surface burners.
2. Smother the flame with a tightly fitting lid. Use baking soda or a dry chemical, foam or halon type extinguisher.

OPERATION

FEATURES OF YOUR COOKTOP



REMOVAL OF PACKAGING TAPE

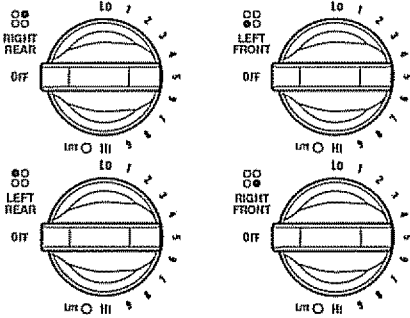
To remove the adhesive left from packaging tape, use household dishwashing liquid, mineral oil or cooking oil. With a soft cloth, rub into the area and allow to soak. Rinse and dry well. Repeat procedure using an appliance polish to insure no damage is done to the appliance. **This should be done before the cooktop is turned on for the first time. The tape cannot be removed once the cooktop has heated.**

OPERATION

Gas Cooktop Cooking

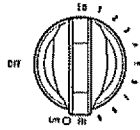
COOKTOP BURNERS

The sign near each cooktop control knob shows which burner is turned on by that knob

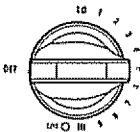


CONTROL SETTINGS

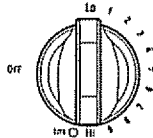
Hi Flame – Use to boil food quickly



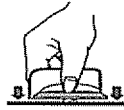
Medium Flame – Used for even browning or maintaining a boil



Low Flame – Used for melting chocolate or warming foods



1. Grasp the knob with thumb and finger and push down.
2. While pushing down, turn the knob to the **LITE** position
3. After the burner ignites, set knob to desired flame setting



CAUTION:

When setting the flame size, make sure the flame heats the bottom of the pan only. Flames that extend beyond the bottom edge of the pan or lick up the sides are unsafe and waste energy.



BURNER IGNITION

When the knob is turned to the lite position, a spark igniter sends a series of electrical sparks that will ignite the gas flowing to the burner automatically



While cooking on glass or porcelain cooktops, remember these areas may get hot. Use caution when working near these areas.

OPERATION

Gas Cooktop Cooking

POWER FAILURE

During a power failure, the cooktop burners will not light automatically. In an emergency, a cooktop burner may be lit using a match. Follow the instructions below:

1. Light the match
2. Hold the flame next to the burner you want to use.
3. Push in and turn the correct knob to the lite position
4. When the burner lights, turn the knob to your preferred setting

WARNING: Lighting gas burners with a match is dangerous. You should light the burners with this method only in an emergency.

THE SIMMER FLAME

If you are simmering on one burner and turn on the others, watch the simmer setting. Because of the increased gas flow to the other burners, the flame size of the burner used for simmering may need to be increased.

COOKING UTENSILS AND WOKS

Use pans and woks that are the same size as the burner used when cooking. Use flat-bottom woks.

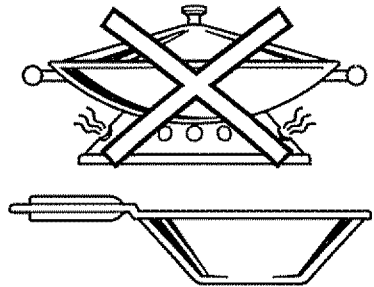


Wok Cooking

We recommend that you use only a flat-bottomed wok. They are available at your local retail store.

Do not use woks that have support rings. Use of these types of woks, with or without the ring in place, can be dangerous.

Placing the ring over the burner will cause a buildup of heat that will damage the porcelain cooktop. Do not try to use such woks without the ring. You could be seriously burned if the wok is tipped over.



Use only flat-bottomed woks.

HOME CANNING TIPS

1. Center canner over the burner
2. Use recipes and procedures from reputable sources. These are available from manufacturers such as Ball® and Kerr®, or the Department of Agriculture Extension Service.
3. Use caution, while canning, to prevent burns from steam or heat.

CARE AND CLEANING

Cleaning

CONTROL PANEL

CLEANING MATERIALS

- Dishwashing detergent
- Warm water
- Soft cloth

Do not use abrasive cleaners, industrial cleaners or bleach.

PORCELAIN COOKTOP

CLEANING MATERIALS

- Cleaning powder
- Dishwashing detergent
- Warm water
- Soft cloth

TO CLEAN

If hot fruit fillings or foods that are acidic (such as tomatoes, sauerkraut and sauces with vinegar or lemon juice) spill on the cooktop, use a dry paper towel or cloth to wipe it up as much as possible right away. Leave burner head in place when cleaning the cooktop.

BURNER GRATES

CLEANING MATERIALS

- Dishwashing detergent
- Abrasive cleaner
- Steel wool (soap-filled) or scouring pad
- Gas Grate Cleaner
- Ammonia
- Warm water
- Soft cloth

TO CLEAN

For stubborn stains, soak grates overnight in Gas Grate Cleaner solution, following the package instructions. Grates can also be cleaned by placing in a covered container with 1/4 cup of ammonia and soaking overnight. Be sure to seal the container tightly. Wash and rinse grates well after soaking.

To order Gas Grate Cleaner, call your nearest Sears Service Center or Retail Store and ask for Stock No. 40080.

PORCELAIN ENAMEL BURNER CAP AND BURNER HEAD

CLEANING MATERIALS

- All-purpose nonabrasive cleaner
- Warm water
- Soft cloth

TO CLEAN

Soak stubborn stains, rinse and dry completely.

CONTROL KNOBS

CLEANING MATERIALS

- Dishwashing detergent
- Warm water
- Soft cloth

TO CLEAN

Pull knobs straight off stem. Wash with detergent. Rinse and dry well. Return knobs to unit. **Do not allow knobs to soak!**

TO REPLACE THE KNOBS

Turn the knobs over and align the opening in the shaft of the knob with the knob stem. The knob should be returned to the cooktop in the off position.

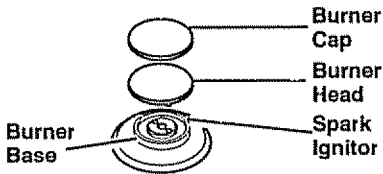
CARE AND CLEANING

Removable Parts

COOKTOP BURNER COMPONENTS

TO REMOVE

Be sure that all controls are turned off and that the unit is cool. Lift off burner grate, burner cap and burner head. **Do not remove burner base.**



The electrode of the spark igniter is exposed beyond the top of the burner.

When cleaning the burner base, be careful not to snag the electrode of the spark igniter with your cleaning cloth. Damage to the igniter could occur. Be careful not to turn on any cooktop controls while cleaning burner bases. A slight electrical shock might result, which could cause you to knock over hot cookware.

TO REPLACE

Place the burner head onto the burner base making sure the pins in the burner head are properly located in the burner base holes.

Place the burner cap on the burner head.

Place the grate over the burner assembly and onto the cooktop. The indentations of the cooktop should match the location feet on the bottom of the grates.

BEFORE CALLING FOR SERVICE

To save you time and money, before making a service call, check the list below for any problem you may feel you have with the performance of your cooktop. If the problem is something you cannot fix, use the Consumer Service Numbers located at the back of this guide. **When making any calls, have the Model No., Serial No., Repair Parts List, Use and Care Guide and the Date of Purchase available.**

PROBLEM	POSSIBLE CAUSE	POSSIBLE SOLUTION
Cooktop knobs will not turn.	Knob isn't pushed down	Push knobs down to turn
Cooktop burners will not light.	a. Gas supply	a. Gas supply not connected or not turned on
	b. Power supply	b. Cooktop not properly grounded or polarized
	c. Spark ignition	c. See installation instructions
	d. Power supply	d. No electricity to unit; check for tripped fuse or circuit breaker
	e. Cleaning	e. Soil clogging holes in burner head. Clean holes
	f. Burner assembly	f. Cooktop burner head not replaced correctly. See removable parts section.
	g. Knob not re-installed	g. Push knob down on the stem. Match the flat part of the stem with flat side of the knob

BEFORE CALLING FOR SERVICE

PROBLEM	POSSIBLE CAUSE	POSSIBLE SOLUTION
Burners have yellow or yellow-tipped flames.	The combustion quality of burner flames needs to be determined visually	Use the illustrations below to determine if your burner flames are normal. If burner flames look like A , call for service. Normal burner flames should look like B or C , depending on the type of gas you use. With LP gas, some yellow tipping on outer cones is normal.



A—Yellow flames
Call for service

B—Yellow tips on outer cones
Normal for LP gas

C—Soft blue flames
Normal for natural gas

NOTES



COOKTOP WARRANTY

FULL ONE YEAR WARRANTY ON ALL PARTS

If, within one year from the date of installation, any part fails to function properly due to a defect in material or workmanship, Sears will repair or replace it, at our option, free of charge

If this product is subjected to other than private family use, the above warranty is effective for only 90 days

WARRANTY SERVICE IS AVAILABLE BY CONTACTING THE NEAREST SEARS SERVICE CENTER IN THE UNITED STATES

This warranty gives you specific legal rights, and you may also have other rights which vary from state to state

Sears Roebuck and Co Dept 817 WA Hoffman Estates, IL 60179

**To further add to the value of your Cooktop,
Buy a Sears Maintenance Agreement.**

Years of Ownership Coverage	1st Year	2nd Year	3rd Year
1. Replacement of Defective Parts	W	MA	MA
2. Annual Preventive Maintenance Check at your request	MA	MA	MA

W - Warranty MA - Maintenance Agreement

Kenmore Appliances are designed, manufactured and tested for years of dependable operation. Yet, any appliance may require service from time to time. The Sears Maintenance Agreement offers you an outstanding service program for your product.

The table above shows the additional benefits a Sears Maintenance Agreement offers compared to a Sears Warranty.

Contact your Sears Sales Associate or local Sears Service Center to purchase a Sears Maintenance Agreement.

CUBIERTA PARA COCINAR A GAS

Indice

INSTRUCCIONES DE SEGURIDAD

Seguridad en el uso de la cubierta	16-18
------------------------------------	-------

OPERACION

Características de su cubierta	19
Cómo sacar la cinta de empaque	19
Posición de los controles	20
Encendido del quemador	20
Corte de corriente	21
Utensilios y woks para cocinar	21
Consejos para hacer conservas	21

LIMPIEZA Y PARTES REMOVIBLES

Panel de control	22
Cubierta de esmalte porcelanizado	22
Parrilla de quemador	22
Tapas y cabezas de los quemadores	22
Perillas de control	22
Componentes de los quemadores de la cubierta	23

COMO RESOLVER PROBLEMAS

Antes de llamar para un servicio	24-25
Garantía	27
Números para servicios del consumidor	28

Para su conveniencia y referencia futura, por favor escriba el número de modelo y de serie en el espacio que se provee. Están ubicados debajo de la cubierta.

NUMERO DE MODELO:

NUMERO DE SERIE:

INSTRUCCIONES DE SEGURIDAD IMPORTANTES

GUARDE ESTAS INSTRUCCIONES

Lea todas las instrucciones antes de usar este aparato. Cuando use aparatos a gas o eléctricos, se deberían seguir precauciones de seguridad, incluyendo lo siguiente:



¡¡ADVERTENCIA!!!

Si la información en este guía no se sigue exactamente, podría resultar un incendio, una explosión, o un escape de gas que causen daño a la propiedad, heridas personales o muerte.

¡NO ALMACENE O USE GASOLINA U OTROS VAPORES O LIQUIDOS INFLAMABLES CERCA DE ESTE O CUALQUIER APARATO ELECTRODOMESTICO!

QUE HACER SI HUELE GAS:



- No trate de encender ningún aparato.
- No toque ningún interruptor eléctrico; no use ningún teléfono en su edificio.
- Inmediatamente Llame a su abastecedor de gas usando el teléfono de un vecino. Siga las instrucciones del abastecedor de gas.
- Si no puede comunicarse con el abastecedor de gas, llame a la compañía de bomberos.

La instalación y el servicio deben ser hechos por un instalador competente, una agencia de servicio o el abastecedor de gas.



ADVERTENCIA: Ajustes a los quemadores de L.P.

Si va a usar Gas Licuado de Petróleo (gas embotellado), todos los ajustes para L.P. en las instrucciones de instalación deben hacerse antes de usar su cubierta.

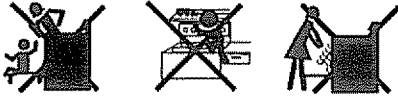
Si su cubierta no es ajustada adecuadamente, las llamas podrían ser demasiado altas, o la cubierta podría usar demasiado combustible, emitir gases tóxicos o cocinar mal.

Para garantizar su seguridad, la de su familia y la de su hogar, por favor lea su Guía para el Uso y Cuidado cuidadosamente.

Manténgalo a la mano para referencias. Ponga mucha atención a las secciones de seguridad.

ASEGURESE que su cubierta sea instalada por un técnico especializado y que haga tierra adecuadamente.

INSTRUCCIONES DE SEGURIDAD IMPORTANTES



¡ADVERTENCIA DE SEGURIDAD IMPORTANTE!

California Safe Drinking Water and Toxic Enforcement Act requiere que el gobernador de California publique una lista de sustancias que el estado sepa que producen defectos de nacimiento u otros daños reproductivos y requiere que los hombres de negocios adviertan a sus clientes del contacto potencial a tales sustancias.

Los aparatos a gas pueden causar una exposición leve a cuatro de estas sustancias, tales como benceno, monóxido de carbono, formalina y hollín, causados principalmente por la combustión incompleta del gas natural o combustibles L.P. Las cubiertas ajustadas adecuadamente, indicado por una llama azulada en vez de una llama amarilla, minimizará la combustión incompleta. La exposición a estas sustancias se puede minimizar aún más con la ventilación a través de una ventana abierta o usando un ventilador o una campana de ventilación. El aparato, como sale de la fábrica, puede ser operada solamente con gas natural. Las llamas altas y tóxicas podrían causar heridas serias. Si de sea usar su aparato con gas L.P., haga la conversión de la cubierta siguiendo el procedimiento que se encuentra en las instrucciones de instalación.

- **NO DEJE** a los niños sin vigilancia cerca d'un aparato que se esté usando
- **ENSEÑE A LOS NIÑOS** a no jugar con los controles o cualquier parte del aparato No sentarse, subirse o pararse sobre la puerta del aparato
- **PRECAUCION: NUNCA GUARDE** artículos que sean de interés para los niños en los gabinetes sobre el aparato Los niños que se suban sobre el aparato podrían resultar gravemente heridos
- **GUARDE ESTE** libro para un uso futuro
- **NUNCA TRATE** de reparar o reemplazar una parte del aparato a menos que las instrucciones se den en este guía Todo otro trabajo debería ser hecho por un técnico especializado
- **NUNCA USE** su aparato para entibiar o calentar una habitación
- **SIEMPRE MANTENGA** los revestimientos combustibles de las paredes, cortinas y otros paños a una distancia prudente del aparato
- **NUNCA CALIENTE** contenedores de alimentos cerrados El aumento de la presión podría causar que el contenedor explote y cause heridas
- **NUNCA DEJE** contenedores de grasa o goteaduras dentro o cerca del aparato
- **SIEMPRE MANTENGA** el área de la cubierta despejada de cosas que se podrían quemar (gasolina y otros vapores y líquidos inflamables) La acumulación de comida y grasa y los utensilios de madera se podrían incendiar Los utensilios de plástico se podrían derretir y las comidas en conservas podrían explotar Su aparato nunca se debería usar para almacenar cosas
- **NUNCA USE** ropa suelta cuando use el aparato

INSTRUCCIONES DE SEGURIDAD IMPORTANTES

- **NUNCA** trate de limpiar las superficies calientes. Algunos limpiadores producen vapores nocivos y los paños y las esponjas mojadas podrían causar quemaduras por vapor.
- **NUNCA USE** una toalla u otro paño abultado como agarradera. Asegúrese que la agarradera esté seca. Las agarraderas húmedas podrían causar quemaduras por vapor. **NO PERMITA** que las agarraderas toquen las zonas para cocinar calientes.
- **NO TOQUE** las superficies para calentar, las superficies cerca de ellas o las superficies interiores. Estas podrían estar suficientemente calientes para quemar aunque se vean de color oscuro. Durante y después del uso, no toque o permita que la ropa o materiales inflamables hagan contacto con las superficies calientes hasta que hayan tenido tiempo de enfriarse.

SEGURIDAD EN EL USO DE LA CUBIERTA

- **SOLO** ciertas clases de utensilios de vidrio o cerámica se pueden usar para cocinar en la cubierta. Asegúrese que los utensilios que seleccione están diseñados para cocinar sobre la cubierta sin quebrarse debido a los súbitos cambios de temperatura.
- **SIEMPRE TENGA** cuidado cuando toque los elementos de la cubierta. Retendrán calor después de que la cubierta se haya apagado.

- **LAS OLLAS QUE SE USEN** para cocinar en la cubierta deberían ser de fondo plano y lo suficientemente grandes para cubrir el área que se está utilizando. Los utensilios que son demasiado pequeños exponen el elemento calentador y podría causar un contacto directo o el incendio de la ropa. El tamaño correcto de los utensilios también mejorará la eficiencia.
- **NUNCA DEJE** las unidades de superficie sin vigilancia a temperaturas altas. Los derrames podrían resultar en humo o en derrames de grasa que se podrían incendiar.
- **SIEMPRE COLOQUE** las agarraderas (manillas) de las ollas hacia adentro y lejos de las otras unidades de la superficie para reducir el riesgo de quemaduras, encendido, un contacto y derrame accidental.
- **CUANDO PREPARE** comidas a la llama debajo de la campana de ventilación, encienda el ventilador.
- **NO CUBRIR NI BLOQUEAR** el área alrededor de los botones superiores. Esta área debe ser mantenida despejada para que la ventilación y los quemadores funcionen apropiadamente.

¡LEA Y COMPRENDA ESTA INFORMACION AHORA!

Asegúrese que todos en su hogar sepan qué hacer en caso de incendio. Nunca use agua sobre un incendio de grasa; esto solamente extenderá las llamas.

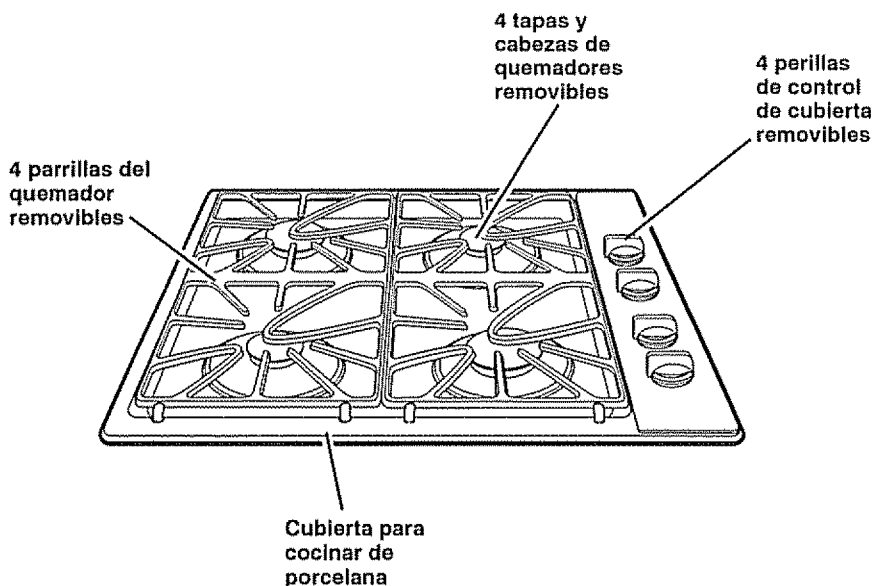
INCENDIO DE GRASA EN LA CUBIERTA:

Nunca levante una olla en llamas...

1. Apague los quemador de la superficie
2. Sofoque la llama con una tapa apretada, soda para cocinar o con un extintor químico, a espuma o "halon"

OPERACION

CARACTERISTICAS DE SU CUBIERTA



COMO SACAR LA CINTA DE EMPAQUE

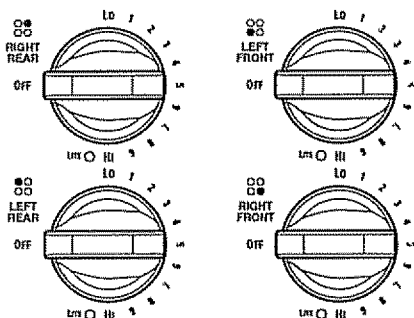
Para sacar el residuo del adhesivo de la cinta de empaque, use detergente líquido para platos, aceite mineral o aceite para cocinar. Con un paño suave frótelos sobre el área y permita que se remoje. Enjuague y seque bien. Repite el procedimiento con un pulimento para los aparatos garantizar que usted no dañe el aparato. **Esto se debería hacer antes que la cubierta se encienda por primera vez. La cinta no se puede sacar una vez que la cubierta ha sido calentada.**

OPERACION

Cómo Cocinar en la Cubierta a Gas

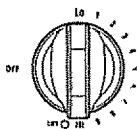
QUEMADORES DE LA CUBIERTA

La marca cerca de cada perilla de control de la cubierta muestra cuál elemento se enciende con esa perilla

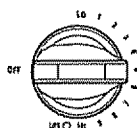


POSICION DE LOS CONTROLES

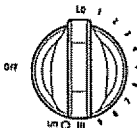
Llama alta – Usar para hervir comida rápidamente



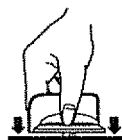
Llama mediana – Se usa para mantener una ebullición



Llama baja – Usada para derretir chocolate o para entibiar la comida



1. Tome la perilla con el pulgar y el índice y empuje
2. Mientras empuje, haga girar la perilla a la posición. **LITE (ENCENDIDO)**
3. Después de que el quemador se enciende, coloque la perilla en la posición de la llama deseada



PRECAUCION:

Cuando seleccione el tamaño de la llama, asegúrese que la llama calienta solamente el fondo de la olla. Las llamas que se extienden más allá de la orilla del fondo de la olla o que tamen los lados son peligrosas y desperdician energía.



ENCENDIDO DEL QUEMADOR

Cuando la perilla se hace girar a la posición de encendido, un encendedor a chispas envía una serie de chispas eléctricas que encenderán el gas que pasa automáticamente al quemador



Cuando cocine sobre cubiertas de vidrio o de porcelana, recuerde que estas áreas se pueden calentar. Tenga cuidado cuando trabaje cerca de estas áreas.

OPERACION

Cómo Cocinar en La Cubierta A Gas

CORTE DE CORRIENTE

Durante un corte de corriente, los quemadores de la cubierta no se encenderán automáticamente. En una emergencia, un quemador de cubierta se puede encender con un fósforo. Siga las instrucciones más abajo:

1. Encienda el fósforo
2. Sujete la llama junto al quemador que desea usar
3. Empuje y haga girar la perilla correcta a la posición de encendido
4. Cuando el quemador se enciende, haga girar la perilla a la posición preferida

¡ADVERTENCIA! Encender un quemador con un fósforo es peligroso. Usted debería encender los quemadores con este método sólo en caso de emergencia.

LLAMA PARA COCINAR A FUEGO LENTO

Si está cocinando con una llama a fuego lento sobre un quemador, vigile la posición. Debido al aumento del paso del gas a los otros quemadores, el tamaño de la llama que se está usando para cocinar lentamente podría necesitar ser aumentada

UTENSILIOS Y WOKS PARA COCINAR

Use ollas y woks que sean del mismo tamaño del quemador que use cuando cocine. Use solamente woks de fondo plano.

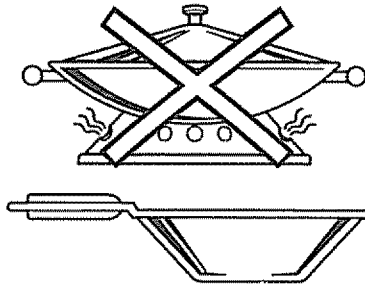


Cómo cocinar en un wok

Recomendamos que usted sólo un wok de fondo plano. Se pueden encontrar en su tienda local.

No use woks que tengan anillos de soporte. El uso de estos tipos de woks con o sin los anillos en su lugar, puede ser peligroso.

El colocar el anillo sobre la unidad de la superficie causará un aumento de calor que dañará la cubierta de porcelana. No trate de usar tales woks sin los anillos. Usted se podría quemar seriamente si el wok se da vuelta.



Use solamente woks de fondo plano.

CONSEJOS PARA HACER CONSERVAS

1. Centre la olla sobre el quemador
2. Use recetas y procedimientos de buenas fuentes. Estas se encuentran disponibles de fabricantes tales como Ball® and Kerr® o del Servicio de Extensión del Departamento de Agricultura
3. Tenga cuidado para prevenir quemaduras a causa del vapor o del calor

CUIDADO Y LIMPIEZA

Limpieza

PANEL DE CONTROL

MATERIALES DE LIMPIEZA

- Detergente líquido para platos
- Agua tibia
- Paño suave

No use limpiadores abrasivos, limpiadores industriales o blanqueadores (cloro).

CUBIERTA DE ESMALTE PORCELANIZADO

MATERIALES DE LIMPIEZA

- Polvo para limpiar
- Detergente para platos
- Agua tibia
- Paño suave

COMO LIMPIAR

Limpie después de cada derrame. Si comidas ácidas (tales como rellenos de frutas calientes, tomates, col o salsas con vinagre o jugo de limón) se derraman sobre la cubierta, use una toalla de papel seca o un paño para limpiar inmediatamente. Mantenga las cabezas de los quemadores en su lugar cuando limpie la cubierta.

PARRILLA DE QUEMADOR

MATERIALES DE LIMPIEZA

- Detergente líquido para platos
- Limpiador abrasivo
- Estropajo de acero (enjabonado) o lana
- Limpiador de parrillas de estufas a gas
- Amonia
- Agua tibia
- Paño suave

COMO LIMPIAR

Para la suciedad pegada, remoje las parrillas toda la noche en una solución de limpiador para parrillas de cubiertas a gas siguiendo las instrucciones del paquete.

Las parrillas también se pueden limpiar colocándolas dentro de un recipiente cubierto y remojándolas toda la noche en 1/4 de taza de amonía. Asegúrese de sellar el recipiente apretadamente. Lave y enjuague bien las parrillas después de ser remojadas.

Para ordenar Limpiador para Parrillas de Estufas a Gas ("Gas Crate Cleaner"), llame a su Centro de Servicio Sears más cercano o a una tienda Sears y pregunte por el artículo N° 40080.

ESMALTE PORCELANIZADO RECIPIENTE DEL QUEMADOR, TAPA DEL QUEMADOR, CABEZA DEL QUEMADOR

MATERIALES DE LIMPIEZA

- Limpiador no abrasivo multiuso
- Agua tibia
- Paño suave

COMO LIMPIAR

Remoje la suciedad pesada, enjuague y seque completamente.

PERILLAS DE CONTROL

MATERIALES DE LIMPIEZA

- Detergente líquido para platos
- Agua tibia
- Paño suave

COMO LIMPIAR

Tire derecho hacia afuera del tallo. Lave bien la perilla con agua con jabón. Seque completamente con un paño suave. **¡No permita que la perilla se remoje!**

PARA COLOCAR NUEVAMENTE LAS PERILLAS

Haga girar las perillas y ponga en línea la abertura de la perilla con el tallo de la perilla. La perilla debería ser colocada nuevamente en la cubierta en la posición de apagado.

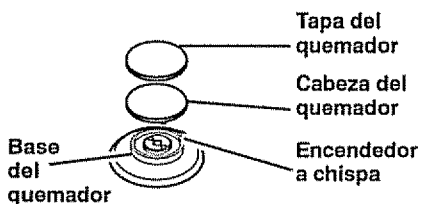
CUIDADO Y LIMPIEZA

Limpieza y Partes Removibles

COMPONENTES REMOVIBLES DEL QUEMADOR DE LA CUBIERTA

COMO SACARLOS

Asegurese que todos los controles estén apagados y que la unidad esté fría Levante la parrilla del quemador. la tapa del quemador y la cabeza del quemador **No saque la base del quemador.**



El electrodo del encendedor a chispa se expone más arriba de la parte superior del quemador. Cuando limpie la base del quemador, esté seguro de no enganchar el electrodo del encendedor a chispa con el paño de la limpieza. Esto podría dañar el encendedor. Tenga cuidado de no encender ninguno de los controles mientras esté limpiando las bases del quemador. Esto podría resultar en un leve golpe de corriente que lo podría hacer golpear y volcar un utensilio caliente.

COMO SE PONEN NUEVAMENTE

Coloque la cabeza del quemador sobre la base del quemador asegurándose que los clavillos de la cabeza del quemador estén correctamente puestos en el hoyo de la base del quemador

Coloque la tapa del quemador sobre la cabeza del quemador

Coloque la parrilla sobre el conjunto del quemador y sobre la cubierta para cocinar. Las indentaciones de la cubierta deberían calzar con las patillas de ubicación al fondo de las parrillas

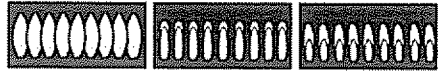
ANTES DE LLAMAR PARA UN SERVICIO

Para ahorrar tiempo y dinero, antes de llamar para un servicio, revise la lista de más abajo para cualquier problema que usted crea que tiene con el funcionamiento de su cubierta. Si el problema es algo que usted no puede reparar, use los Números de Servicio para el Consumidor que se encuentran al final de este guía. **Cuando haga un llamado, tenga disponible el número de modelo, número de serie, lista de partes para reparaciones, guía de uso y cuidado y la fecha de compra.**

PROBLEMA	POSIBLE CAUSA	POSIBLE SOLUCION
Las perillas de la cubierta no giran.	La perilla no se empujó.	Empuje las perillas para hacerlas girar
Los quemadores de la cubierta no encienden.	<ul style="list-style-type: none"> a. Abastecimiento de gas b. Abastecimiento de electricidad c. El electrodo del encendedor a chispa d. Abastecimiento de electricidad e. Limpieza f. Conjunto del quemador g. Perilla puesta incorrectamente 	<ul style="list-style-type: none"> a. La línea del gas no está conectada o no está abierta b. La cubierta cocinar no hace tierra o no está polarizada adecuadamente c. Vea la sección para la instalación d. No pasa electricidad a la unidad; revise los fusibles o el interruptor del circuito e. Hoyos de los quemadores tapados con suciedad Sáquelos y límpielos f. La cabeza del quemador no se reemplazó correctamente Vea la sección de partes removibles g. Empuje la perilla sobre el tallo, haga coincidir la parte plana del tallo con la parte plana de la perilla

ANTES DE LLAMAR PARA UN SERVICIO

PROBLEMA	POSIBLE CAUSA	POSIBLE SOLUCION
Los quemadores tienen llamas que terminan en amarillo	La calidad de la combustión de las llamas de los quemadores necesita ser determinada visualmente	Use la ilustración a continuación para determinar si las llamas de los quemadores son normales. Si las llamas lucen como el ejemplo A . llámenos en busca de servicio. Las llamas de los quemadores normales deben lucir como el ejemplo B o el C , dependiendo del tipo de gas que usted use. Con gas LP, un poco de amarillo en los conos extremos de las llamas es normal.



A-Llamas Amarillas
Llámanos en busca de servicio

B-Extremos amarillos en los conos externos
Normal con gas LP

C-Llamas azul suave
Normal para gas natural

NOTAS



GARANTIA DE LA CUBIERTA PARA COCINAR

UN AÑO COMPLETO DE GARANTIA PARA TODAS LAS PARTES

Si, dentro de un año de la fecha de instalación, cualquier parte deja de funcionar adecuadamente debido a un defecto en el material o la obra de mano, Sears la reparará o reemplazará, a nuestra opción, sin costo

Si este producto es sometido a un uso que no sea el familiar privado, la garantía de arriba es efectiva por solamente 90 días

EL SERVICIO DE GARANTIA ESTA DISPONIBLE PONIENDOSE EN CONTACTO CON EL CENTRO DE SERVICIO SEARS MAS CERCANO EN LOS ESTADOS UNIDOS

Esta garantía le brinda derechos legales específicos, y usted también podría tener otros derechos que varían de estado a estado

Sears Roebuck and Co Dept 817 WA Hoffman Estates, IL 60179

**Para ampliar el valor de su cubierta para cocinar,
compre un contrato de mantenimiento Sears.**

Años de cobertura de propiedad	1er año	2do año	3er año
1. Reemplazo de las partes defectuosas	<i>G</i>	<i>CM</i>	<i>CM</i>
2. Revisión de mantenimiento preventivo anual a solicitud de usted	<i>CM</i>	<i>CM</i>	<i>CM</i>

G - Garantía CM - Contrato de Mantenimiento

Los aparatos electrodomésticos Kenmore están diseñados, fabricados y probados por años de operación confiable Sin embargo, cualquier aparato electrodoméstico podría requerir un servicio cada cierto tiempo El Contrato de Mantenimiento Sears le ofrece un excelente programa de servicio para su producto

La tabla de arriba muestra los beneficios adicionales que un Contrato de Mantenimiento Sears ofrece comparado a una Garantía Sears

Póngase en contacto con su Servicio de Ventas de Sears o con un Centro de Servicio Sears para comprar un Contrato de Mantenimiento Sears

Get it fixed, at your home or ours!

For repair of major brand appliances **in your own home...**
no matter who made it, no matter who sold it!

1-800-4-MY-HOMESM Anytime, day or night
(1-800-469-4663)

www.sears.com

To bring in products such as vacuums,
lawn equipment and electronics for repair, call for
the location of your nearest **Sears Parts & Repair Center.**

1-800-488-1222 Anytime, day or night

www.sears.com

For the replacement parts, accessories and owner's manuals
that you need to do-it-yourself, call **Sears PartsDirectSM**!

1-800-366-PART 6 a.m. – 11 p.m. CST,
(1-800-366-7278) 7 days a week

www.sears.com/partsdirect

To purchase or inquire about a Sears Service Agreement:

1-800-827-6655

7 a.m. – 5 p.m. CST, Mon – Sat

Para pedir servicio de reparación a domicilio,
y para ordenar piezas con entrega a domicilio:

1-888-SU-HOGARSM
(1-888-784-6427)

Au Canada pour service en français:

1-877-LE-FOYERSM
(1-877-533-6937)

