



PERFORMANCE SERIES

AUTOMATIC WASHER USE & CARE GUIDE

LAVEUSE AUTOMATIQUE GUIDE D'UTILISATION ET D'ENTRETIEN

FOR QUESTIONS ABOUT FEATURES, OPERATION/PERFORMANCE, PARTS, ACCESSORIES OR SERVICE
CALL: 1.800.688.9900
IN CANADA, CALL: 1.800.807.6777

AU CANADA, POUR DES QUESTIONS À PROPOS DES CARACTÉRISTIQUES, DU FONCTIONNEMENT/
RENDEMENT, DES PIÈCES, DES ACCESSOIRES OU DU SERVICE, COMPOSEZ LE : 1.800.807.6777

VISIT OUR WEBSITE AT WWW.MAYTAG.COM
IN CANADA, WWW.MAYTAG.CA

OU VISITEZ NOTRE SITE INTERNET À
WWW.MAYTAG.CA

PARA OBTENER ACCESO AL MANUAL DE USO Y CUIDADO EN ESPAÑOL, O PARA OBTENER INFORMACIÓN ADICIONAL ACERCA DE SU PRODUCTO, VISITE: WWW.MAYTAG.COM.
TENGA LISTO SU NÚMERO DE MODELO COMPLETO. PODRÁ ENCONTRAR EL NÚMERO DE MODELO Y DE SERIE EN LA ETIQUETA UBICADA DEBAJO DE LA TAPA DE LA LAVADORA.



Certified to Sanitize
Certifié pour aseptiser



Designed to use only HE High Efficiency detergent
Conçue pour l'utilisation d'un détergent HE haute efficacité seulement



TABLE OF CONTENTS

WASHER SAFETY	3
INSTALLATION REQUIREMENTS	5
Tools and Parts	5
Options	5
Location Requirements.....	6
Drain System.....	8
Electrical Requirements.....	9
INSTALLATION INSTRUCTIONS	10
Remove Transport System	10
Connect the Inlet Hoses	10
Route the Drain Hose.....	11
Secure the Drain Hose	12
Level the Washer.....	12
Complete Installation	12
FEATURES AND BENEFITS	13
WASHER USE	14
Starting Your Washer.....	14
Using the Proper Detergent	14
Using the Dispenser	15
Pausing or Restarting	16
Changing Cycles, Options, and Modifiers	16
Status Lights.....	17
Cycles.....	17
Normal Sounds	19
Options	19
Modifiers	19
Laundry Guide	20
LAUNDRY TIPS	21
Loading	21
Stain Removal Guide.....	22
WASHER CARE	23
Cleaning Your Washer	23
Water Inlet Hoses.....	24
Vacation, Storage, and Moving Care	24
TROUBLESHOOTING	25
Washer and Components.....	25
Washer Operation	26
Clothes Care.....	28
ASSISTANCE OR SERVICE	30
In the U.S.A.	30
In Canada.....	30
Accessories.....	30
WARRANTY	31

TABLE DES MATIÈRES

SÉCURITÉ DE LA LAVEUSE	32
EXIGENCES D'INSTALLATION	34
Outillage et pièces.....	34
Options	34
Exigences d'emplacement.....	35
Système de vidange.....	37
Spécifications électriques	37
INSTRUCTIONS D'INSTALLATION	38
Élimination des accessoires de transport.....	38
Raccordement des tuyaux d'alimentation.....	39
Acheminement du tuyau de vidange.....	40
Immobilisation du tuyau de vidange	40
Réglage de l'aplomb de la laveuse	41
Achever l'installation.....	41
CARACTÉRISTIQUES ET AVANTAGES	42
UTILISATION DE LA LAVEUSE	43
Mise en marche de la laveuse	43
Utilisation du détergent approprié.....	43
Utilisation du distributeur.....	44
Pause et remise en marche.....	45
Changement des programmes, options et modificateurs.....	45
Témoins lumineux.....	46
Programmes	47
Sons normaux.....	48
Options	48
Modificateurs	49
Guide de lessivage	50
CONSEILS DE LESSIVAGE	51
Chargement	51
Guide pour l'élimination des taches.....	52
ENTRETIEN DE LA LAVEUSE	53
Nettoyage de la laveuse	53
Tuyaux d'arrivée d'eau.....	54
Précautions à prendre avant les vacances, un entreposage ou un déménagement	54
DÉPANNAGE	55
La laveuse et ses composants	55
Fonctionnement de la laveuse.....	57
Entretien des vêtements	59
ASSISTANCE OU SERVICE	61
Aux États-Unis	61
Au Canada	61
Accessoires.....	61
GARANTIE	62

WASHER SAFETY

Your safety and the safety of others are very important.

We have provided many important safety messages in this manual and on your appliance. Always read and obey all safety messages.



This is the safety alert symbol.

This symbol alerts you to potential hazards that can kill or hurt you and others.

All safety messages will follow the safety alert symbol and either the word "DANGER" or "WARNING."

These words mean:

⚠ DANGER

You can be killed or seriously injured if you don't immediately follow instructions.

⚠ WARNING

You can be killed or seriously injured if you don't follow instructions.

All safety messages will tell you what the potential hazard is, tell you how to reduce the chance of injury, and tell you what can happen if the instructions are not followed.

IMPORTANT SAFETY INSTRUCTIONS

WARNING: To reduce the risk of fire, electric shock, or injury to persons when using the washer, follow basic precautions, including the following:

- Read all instructions before using the washer.
- Do not wash articles that have been previously cleaned in, washed in, soaked in, or spotted with gasoline, dry-cleaning solvents, other flammable, or explosive substances as they give off vapors that could ignite or explode.
- Do not add gasoline, dry-cleaning solvents, or other flammable, or explosive substances to the wash water. These substances give off vapors that could ignite or explode.
- Under certain conditions, hydrogen gas may be produced in a hot water system that has not been used for 2 weeks or more. **HYDROGEN GAS IS EXPLOSIVE.** If the hot water system has not been used for such a period, before using the washing machine, turn on all hot water faucets and let the water flow from each for several minutes. This will release any accumulated hydrogen gas. As the gas is flammable, do not smoke or use an open flame during this time.
- Do not allow children to play on or in the washer. Close supervision of children is necessary when the washer is used near children.
- Before the washer is removed from service or discarded, remove the door or lid.
- Do not reach into the washer if the drum, tub or agitator is moving.
- Do not install or store the washer where it will be exposed to the weather.
- Do not tamper with controls.
- Do not repair or replace any part of the washer or attempt any servicing unless specifically recommended in this manual or in published user-repair instructions that you understand and have the skills to carry out.
- See "Electrical Requirements" for grounding instructions.

SAVE THESE INSTRUCTIONS

State of California Proposition 65 Warnings:

WARNING: This product contains a chemical known to the State of California to cause cancer.

WARNING: This product contains a chemical known to the State of California to cause birth defects or other reproductive harm.

INSTALLATION REQUIREMENTS

Tools and Parts

Gather the required tools and parts before starting installation. The parts supplied are in the washer drum.

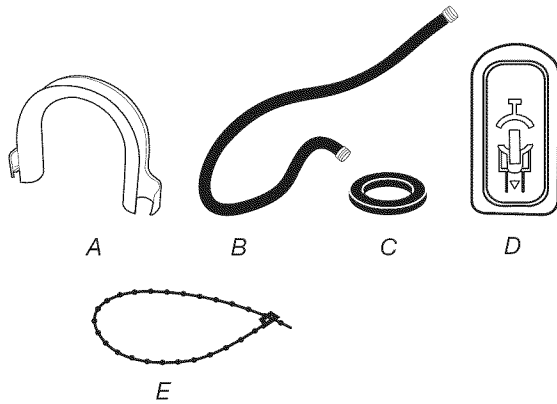
Tools needed for connecting the water inlet hoses

- Pliers (that open to 1⁹/₁₆" [39.5 mm])
- Flashlight (optional)

Tools needed for installation

- Open end wrenches
14 mm and 13 mm
- Level
- Wood block
- Ruler or measuring tape

Parts supplied



- A. U-shaped hose form
- B. Water inlet hoses (2)
- C. Inlet hose washers (4)
- D. Transit bolt hole plug (4)
- E. Beaded tie strap

Alternate Parts

Your installation may require additional parts. If you are interested in purchasing one of the items listed here, call the toll-free number on the cover or in the "Assistance or Service" section.

If You Have	You Will Need to Buy
Laundry tub or standpipe taller than 96" (2.4 m)	Sump pump system (if not already available)
Overhead sewer	Standard 20 gal. (76 L), 30" (762 mm) tall drain tub or utility sink and sump pump (available from local plumbing suppliers)
Floor drain	Siphon break, Part Number 285834; additional drain hose, Part Number 8318155; and connector kit, Part Number 285835
Drain hose too short	4 ft (1.2 m) drain hose extension kit, Part Number 285863

If You Have

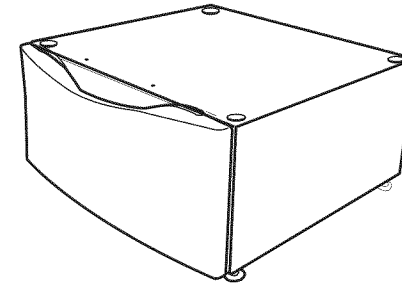
You Will Need to Buy

- 2 longer water fill hoses:
6 ft (1.8 m) Part Number 76314
10 ft (3.0 m) Part Number 350008

Options

Pedestal

You have the option of purchasing pedestals of different heights separately for this washer. You may select a 10" (254 mm) or a 15.5" (394 mm) pedestal. The pedestal will add to the total height of the washer.



Optional pedestal

Pedestal Height	Approximate height with washer	Color	Model Number
10" (254 mm)	46" (1168 mm)	White	MHP1000SQ0
10" (254 mm)	46" (1168 mm)	Black	MHP1000SB0
10" (254 mm)	46" (1168 mm)	Cranberry	XHP1000WR
15.5" (394 mm)	51.5" (1308 mm)	White	MHP1500SQ0
15.5" (394 mm)	51.5" (1308 mm)	Black	MHP1500SB0
15.5" (394 mm)	51.5" (1308 mm)	Blue	MHP1500SK0

Stack Kit

Are you planning to stack your washer and dryer? To do so, you will need to purchase a Stack Kit.

To order, call the dealer from whom you purchased your washer or refer to the "Assistance or Service" section. Ask for Part Number 8572546.

Location Requirements

Selecting the proper location for your washer improves performance and minimizes noise and possible washer “walk.”

Your washer can be installed under a custom counter, or in a basement, laundry room, closet, or recessed area. See “Drain System.”

Companion appliance location requirements should also be considered. Proper installation is your responsibility.

You will need

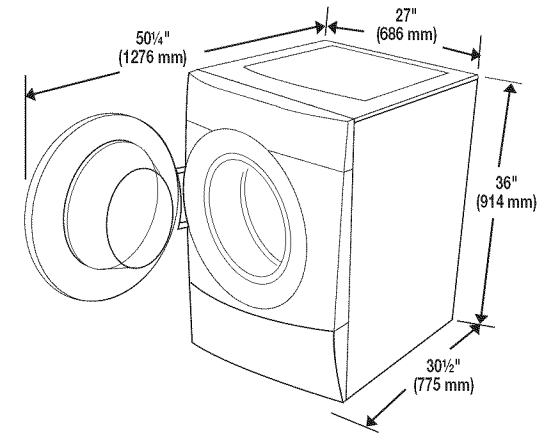
- A water heater set to deliver 120°F (49°C) water to the washer.
- A grounded electrical outlet located within 6 ft (1.8 m) of where the power cord is attached to the back of the washer. See “Electrical Requirements.”
- Hot and cold water faucets located within 4 ft (1.2 m) of the hot and cold water fill valves, and water pressure of 20-100 psi (137.9-689.6 kPa).
- A level floor with a maximum slope of 1" (25 mm) under entire washer. Installing the washer on soft floor surfaces, such as carpets or surfaces with foam backing, is not recommended.
- A sturdy and solid floor to support the washer with a total weight (water and load) of 400 lbs (180 kg).

Do not operate your washer in temperatures below 32°F (0°C). Some water can remain in the washer and can cause damage in low temperatures. See “Washer Care” for information on winterizing.

Installation clearances

- The location must be large enough to allow the washer door to be fully opened.
- Additional spacing should be considered for ease of installation and servicing. The door opens more than 90°, and it is not reversible.
- Additional clearances might be required for wall, door, and floor moldings.
- Additional spacing of 1" (25 mm) on all sides of the washer is recommended to reduce noise transfer.
- Companion appliance spacing should also be considered.

Washer Dimensions

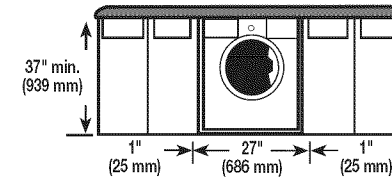


Door is not reversible.

Recommended installation spacing for custom undercounter installation

The dimensions shown are for the recommended spacing.

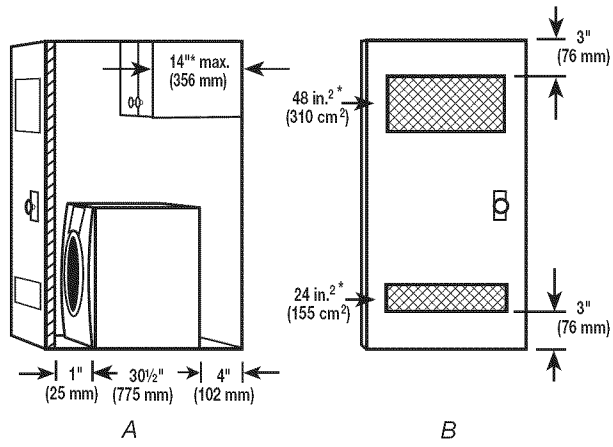
Custom undercounter installation - Washer only



Recommended installation spacing for recessed or closet installation, with or without a pedestal

The dimensions shown are for the recommended spacing.

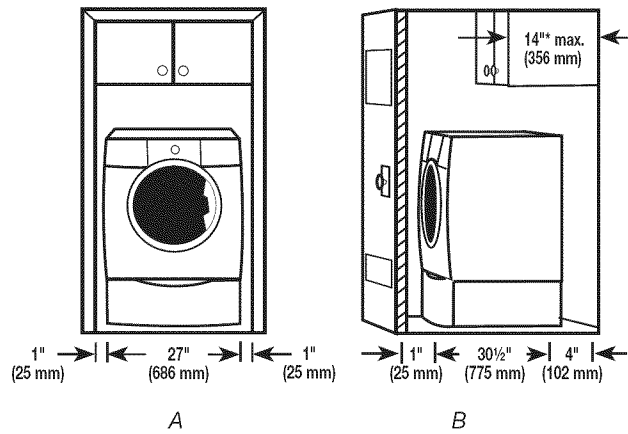
Recessed area or closet installation



A. Side view - closet or confined area
B. Closet door with vents

*Min. top and bottom air openings for closet door.

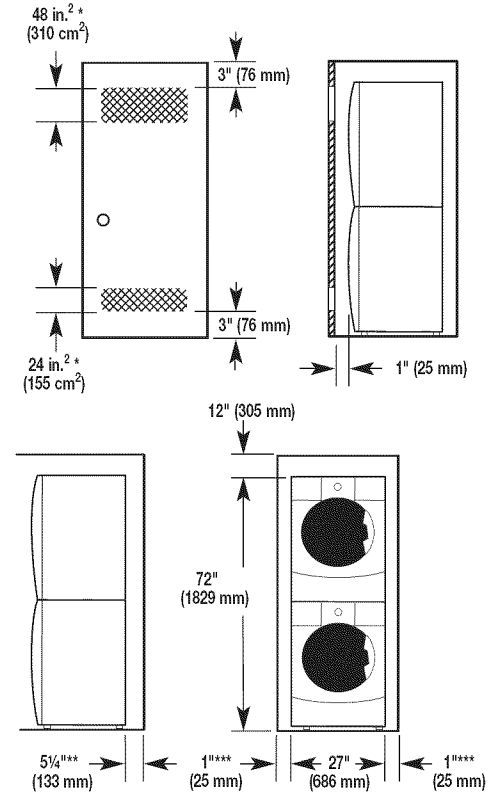
Recessed or closet installation - Washer on pedestal



A. Recessed area
B. Side view - closet or confined area

Recommended installation spacing for recessed or closet installation, with stacked washer and dryer

The dimensions shown are for the recommended spacing.



*Min. top and bottom air openings for closet door.

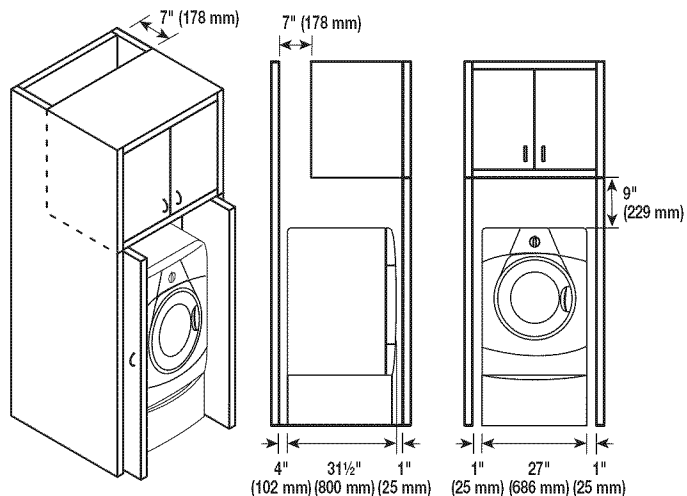
**External exhaust elbow requires additional space.

†Wall, door and floor molding may require additional spacing.

Recommended installation spacing for cabinet installation

The dimensions shown are for the recommended spacing.

For cabinet installation, with a door, the minimum ventilation openings in the top are required.



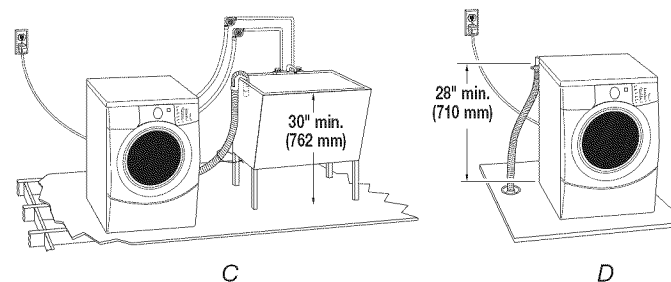
Laundry tub drain system (view C)

The laundry tub needs a minimum 20 gal. (76 L) capacity. The top of the laundry tub must be at least 30" (762 mm) above the floor.

Floor drain system (view D)

The floor drain system requires a siphon break that may be purchased separately. See "Tools and Parts."

The siphon break must be a minimum of 28" (710 mm) from the bottom of the washer. Additional hoses might be needed.



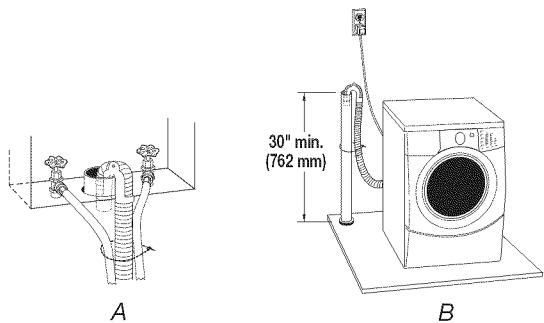
Drain System

The washer can be installed using the standpipe drain system (floor or wall), the laundry tub drain system, or the floor drain system. Select the drain hose installation method you need. See "Tools and Parts."

Standpipe drain system - wall or floor (views A & B)


The standpipe drain requires a minimum diameter standpipe of 2" (50 mm). The minimum carry-away capacity can be no less than 17 gal. (64 L) per minute.

The top of the standpipe must be at least 30" (762 mm) high and no higher than 96" (2.4 m) from the bottom of the washer.



Electrical Requirements

⚠ WARNING



Electrical Shock Hazard

Plug into a grounded 3 prong outlet.

Do not remove ground prong.

Do not use an adapter.

Do not use an extension cord.

Failure to follow these instructions can result in death, fire, or electrical shock.

- A 120 volt, 60 Hz., AC only, 15- or 20-amp, fused electrical supply is required. A time-delay fuse or circuit breaker is recommended. It is recommended that a separate circuit serving only this appliance be provided.
- This washer is equipped with a power supply cord having a 3 prong grounding plug.
- To minimize possible shock hazard, the cord must be plugged into a mating, 3 prong, grounding-type outlet, grounded in accordance with local codes and ordinances. If a mating outlet is not available, it is the personal responsibility and obligation of the customer to have the properly grounded outlet installed by a qualified electrician.
- If codes permit and a separate ground wire is used, it is recommended that a qualified electrician determine that the ground path is adequate.
- Do not ground to a gas pipe.
- Check with a qualified electrician if you are not sure the washer is properly grounded.

- Do not have a fuse in the neutral or ground circuit.

GROUNDING INSTRUCTIONS

For a grounded, cord-connected washer:

This washer must be grounded. In the event of a malfunction or breakdown, grounding will reduce the risk of electrical shock by providing a path of least resistance for electric current. This washer is equipped with a cord having an equipment-grounding conductor and a grounding plug. The plug must be plugged into an appropriate outlet that is properly installed and grounded in accordance with all local codes and ordinances.

WARNING: Improper connection of the equipment-grounding conductor can result in a risk of electric shock. Check with a qualified electrician or serviceman if you are in doubt as to whether the appliance is properly grounded.

Do not modify the plug provided with the appliance – if it will not fit the outlet, have a proper outlet installed by a qualified electrician.

For a permanently connected washer:

This washer must be connected to a grounded metal, permanent wiring system, or an equipment grounding conductor must be run with the circuit conductors and connected to the equipment-grounding terminal or lead on the appliance.

INSTALLATION INSTRUCTIONS

Remove Transport System

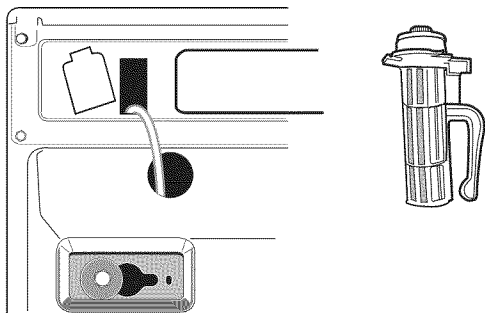
⚠ WARNING

Excessive Weight Hazard

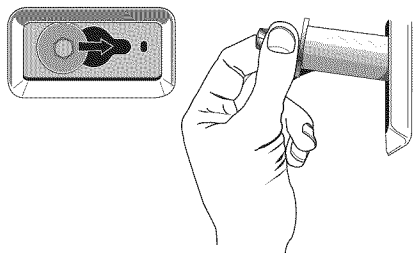
Use two or more people to move and install washer.
Failure to do so can result in back or other injury.

IMPORTANT: Position the washer so that the rear of the washer is within approximately 3 ft (900 mm) of its final location.

There are 4 transport bolts in the rear panel of the washer that support the suspension system during transportation. These bolts also retain the power cord inside the washer until the bolts are removed.



1. On the back of the washer, loosen the 4 transport bolts using a 13 mm wrench.
2. Once the bolt is loose, move it to the center of the hole and completely pull out the bolt, including the plastic spacer covering the bolt.

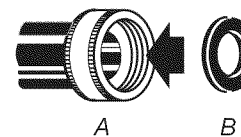


3. Once all 4 bolts are removed, discard the bolts and spacers. Then pull the power cord through the opening of the rear panel and close the hole with the attached cap.
4. Cover the bolt holes with the 4 transport bolt hole plugs.

NOTE: If the washer is to be transported at a later date, call your local service center. To avoid suspension and structural damage, your washer must be properly set up for relocation by a certified technician.

Connect the Inlet Hoses

Insert new flat washers (supplied) into each end of the inlet hoses. Firmly seat the washer into the hose couplings.

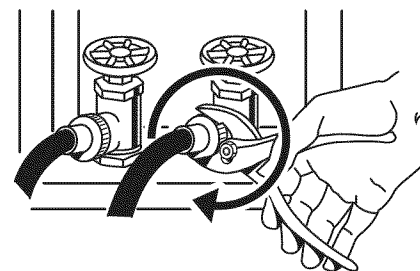


A. Coupling
B. Washer

Connect the inlet hoses to the water faucets

Make sure washer drum is empty and flat washers have been placed into hose couplings.

1. Attach a hose to the hot water faucet. Screw on coupling by hand until it is seated on the washer.
2. Attach a hose to the cold water faucet. Screw on coupling by hand until it is seated on the washer.
3. Using pliers, tighten the couplings with an additional two-thirds turn.

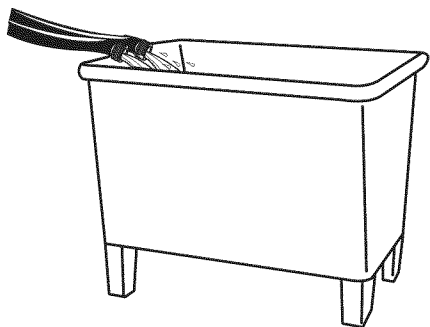


NOTE: Do not overtighten or use tape or sealants on the valve. Damage to the valves can result.

Clear water lines

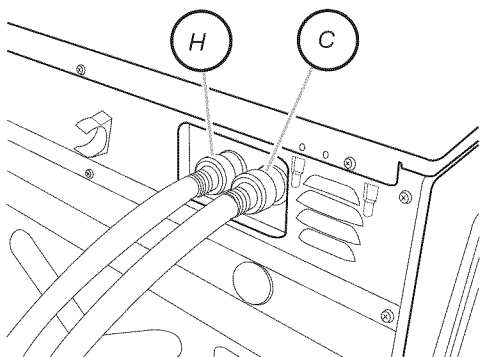
- Run water through both faucets and inlet hoses, into a laundry tub, drainpipe, or bucket, to get rid of particles in the water lines that might clog the inlet valve screens.

- Check the temperature of the water to make sure that the hot water hose is connected to the hot water faucet and that the cold water hose is connected to the cold water faucet.



Connect the inlet hoses to the washer

IMPORTANT: Make sure that the flat washers have been placed into the hose couplings.



H. Hot water inlet
C. Cold water inlet

1. Attach the hot water hose to the washer's hot (H) water inlet valve. Screw on coupling by hand until it is seated on the washer.
2. Attach the cold water hose to the washer's cold (C) water faucet. Screw on coupling by hand until it is seated on the washer.
3. Using pliers, tighten the couplings with an additional two-thirds turn.

NOTE: Do not overtighten. Damage to the coupling can result.

4. Turn on the water faucets completely and check for leaks.

NOTE: Replace inlet hoses after 5 years of use to reduce the risk of hose failure. Record hose installation or replacement dates on the hoses for future reference.

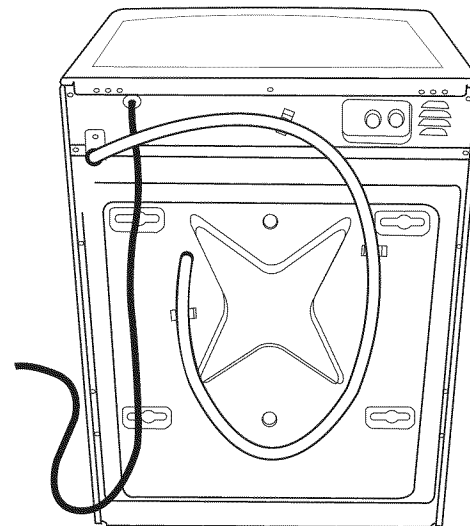
Periodically inspect and replace hoses if bulges, kinks, cuts, wear, or leaks are found.

Route the Drain Hose

Proper routing of the drain hose protects your floor from damage due to water leakage. Read and follow these instructions.

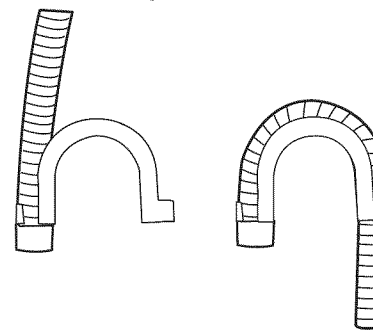
Remove drain hose from the washer

Gently pull the corrugated drain hose from the shipping clips.



Laundry tub drain or standpipe drain

Connect the drain hose form to the corrugated drain hose.



A

B

A. Snap either end of the drain hose form to the drain hose at the point where the corrugation begins.

B. Bend drain hose over drain hose form and snap into place.

To keep drain water from going back into the washer:

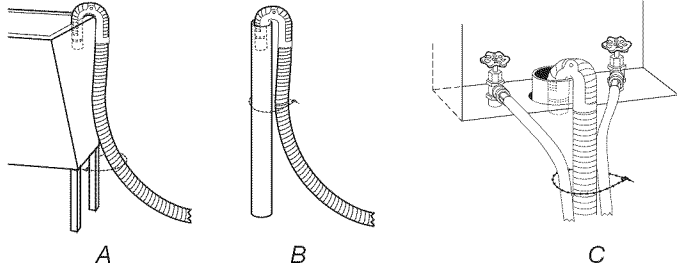
- Do not straighten the drain hose, and do not force excess drain hose into standpipe. Hose should be secure, but loose enough to provide a gap for air.
- Do not lay excess hose on the bottom of the laundry tub.

Floor drain

You may need additional parts. See Floor drain under "Tools and Parts."

Secure the Drain Hose

1. Drape the power cord over the washer top.
2. Move the washer to its final location.
3. Place the drain hose in the laundry tub or standpipe as shown. See illustrations A and B.



4. If the washer faucets and the drain standpipe are recessed, put the hooked end of the drain hose in the standpipe as shown. See illustration C.

NOTES:

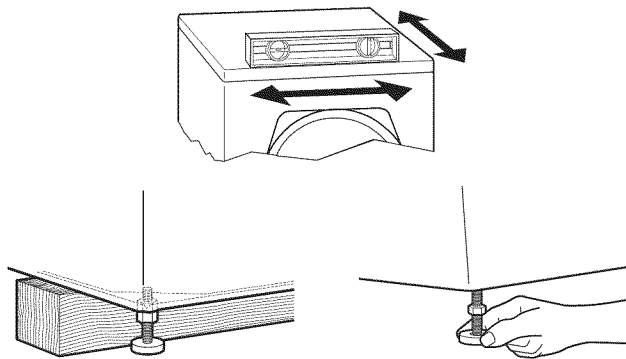
- Do not force excess drain hose back into the rear of the washer.
- To avoid siphoning, do not seal or put more than 4½" (114 mm) of the drain hose into drainpipe or standpipe.

Level the Washer

Properly leveling your washer avoids excessive noise and vibration.

NOTE: Installing washer on soft floor surfaces, such as carpets or surfaces with foam backing, is not recommended.

1. Slide the washer to its final location.
2. Check that all four feet are in firm contact with the floor.
3. Check the levelness of the washer by placing a level on the top edge of the washer, first side to side then front to back.



If the washer is against a wall, move the washer out slightly before tipping back. If the washer is not level, first prop the front with a wooden block and adjust the front feet height moving the hexagonal plastic part as necessary. Repeat to adjust back feet.

4. Make sure all four feet are stable and resting on the floor. Then check that the washer is perfectly level (use a level). Repeat steps 1-3 until washer is level.

5. After the washer is level, and all four feet are in firm contact with the floor, use a ⅜" (14 mm) open-end wrench to turn the locknuts on the feet, tightly against the washer cabinet.

IMPORTANT: All four feet must be tightened. If the locknuts are not tight against the washer cabinet, the washer may vibrate.

6. The washer should not move front to back, side to side, or diagonally when pushed on its top edges.
7. Confirm the levelness of the washer.

Complete Installation

1. Check the electrical requirements. Be sure that you have the correct electrical supply and the recommended grounding method. See "Electrical Requirements."
2. Check that all parts are now installed. If there is an extra part, go back through the steps to see which step was skipped.
3. Check that you have all of your tools.
4. Dispose of/recycle all packaging materials.
5. Check that the water faucets are on.
6. Check for leaks around faucets and inlet hoses.

⚠ WARNING



Electrical Shock Hazard

Plug into a grounded 3 prong outlet.

Do not remove ground prong.

Do not use an adapter.

Do not use an extension cord.

Failure to follow these instructions can result in death, fire, or electrical shock.

7. Plug into a grounded 3 prong outlet.
8. Read "Washer Use."
9. To test and to clean your washer, measure ½ the detergent manufacturer's recommended amount of HE High Efficiency detergent for a medium-size load. Pour the detergent into the detergent dispenser. Select NORMAL, and then select START. Allow the washer to complete one whole cycle.



Use only HE High Efficiency detergent.

FEATURES AND BENEFITS

Your new front-loading high efficiency washer, was help conserve to conserve resources and lower your water and energy bills. The washer is designed to determine and then provide the amount of water needed for the best performance. The time of operation may be greater for this new system than for a conventional washer.

Electronic Controls

Flexible electronic controls are easy to use whether you are a beginner or an expert.

Auto Water Level

Adjusting to the size of the load, this feature allows the washer to use the minimal amount of water needed to clean and rinse the clothes. With a low water level, you can obtain the same results with smaller amounts of laundry products. Because only the required amount of water is used, the washer saves energy, too. You can obtain the same washing results for small and large loads size.

Larger Load Size

Since there is no agitator, you can wash larger, bulkier items such as an average size sleeping bag. You are also able to wash more clothes at one time, which means fewer loads. You can wash a pillow or a large stuffed teddy bear.

Suspension System

To reduce washer “walk” and “off-balance” conditions, your new washer combines:

- 2 Springs to isolate vibration
- 4 Shock absorbers at the washer base to minimize movement

Stainless Steel Drum

The stainless steel drum eliminates corrosion and enables higher spin speeds for more water extraction, helping to reduce drying time.

Adaptive Variable Speed Motor

The motor adapts to the load size and to the cycle selected to give the optimum cleaning, rinsing, and spinning conditions. The motor can handle slow speeds needed for delicate items and is powerful enough to drive an average clothes load up to high-speed spin.

Spin Speeds

This washer automatically selects the spin speed based on the cycle selected. This factory setting can be changed, however. This washer offers up to three different spin speed choices.

Thermal Optimizer

The heating system ensures that the wash water is heated to the preset temperature for Super Wash, Whites, and Sanitary cycles. It also provides “Stepped Cleaning” when using the Sanitary cycle. “Stepped Cleaning” starts the wash cycle with warm water to remove stains (such as blood or grass). The Sanitary cycle also helps eliminate 99.9% of *K. pneumonia*, *P. aureginosa* and *S. aureus*, which are three common infectious bacteria. Only sanitary cycle has been designed to meet the requirements of NSF protocol P172 for sanitizing efficiency.



Certified to Sanitize

Add A Garment

This option is available in all wash cycles except Rinse & Spin, Spin Only, and Clean Washer. When this option is available at the beginning of the cycle, the Add A Garment status light will illuminate for the first 7 minutes. This washer allows a 7-minute period in which other garments may be added to a load.

Dynamic Balance

A precision balancing system that allows the washer to reach high-speed spins. The washer spins faster so that clothes coming out of the washer will have less moisture than with traditional top load machines. In addition, if the Dynamic Balance system detects off-balance loads during spinning, it redistributes the clothes so that they are evenly balanced.

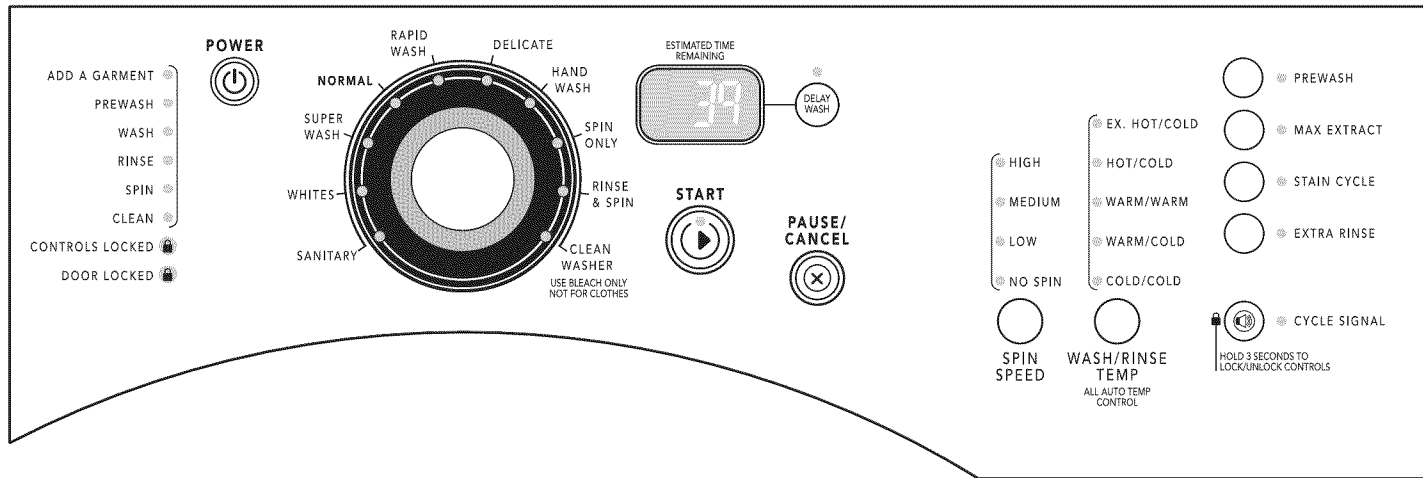
Detergent Advantage System Dispenser

The three compartments in the dispenser allow loading of all laundry products before the washer is started. The products will be dispensed into the wash at the optimal time for high-performance cleaning. The bleach release system is included in the detergent advantage system. The detergent is added at the beginning of the cycle, and the bleach is added after the enzymes have had a chance to do their cleaning. The fabric softener is dispensed in the rinse cycle or in the EXTRA RINSE, if selected. The Detergent Advantage System Dispenser tray can be easily removed for cleaning.



Use only HE High Efficiency detergent.

WASHER USE



NOTE: The panel shown above may be different from that of your model.

Starting Your Washer

WARNING



Fire Hazard

Never place items in the washer that are dampened with gasoline or other flammable fluids.

No washer can completely remove oil.

Do not dry anything that has ever had any type of oil on it (including cooking oils).

Doing so can result in death, explosion, or fire.

WARNING: To reduce the risk of fire, electric shock, or injury to persons, read the IMPORTANT SAFETY INSTRUCTIONS before operating this appliance.

The following is a guide to using your washer. Please refer to specific sections of this manual for more detailed information.

Do not store laundry products on the top surface of this washer. Vibration is normal during operation.

Using the Proper Detergent

Use only High Efficiency detergents. The package for this type of detergent will be marked "HE" or "High Efficiency." This wash system, along with less water, will create too much sudsing with a regular non-HE detergent. Using regular detergent will likely result in washer errors, longer cycle times, and reduced rinsing performance. It may also result in component failures and noticeable mold or mildew. HE detergents are made to produce the right amount of suds for the best performance. Follow the manufacturer's instructions to determine the amount of detergent to use. Remember, concentrated detergents such as 2x or higher will use less detergent based on the load size.



Use only HE High Efficiency detergent.

First Wash Cycle Without Laundry

Before washing clothes for the first time, if not completed during the final installation step, choose the Normal cycle and run it without clothes. Use only HE High Efficiency detergent. Use ½ the manufacturer's recommended amount for a medium-size load. This initial cycle serves to ensure the interior is clean before washing clothes.

For All Wash Cycles

1. To load washer

Open the washer door by pulling on the handle. Sort laundry according to color and type of fabric. Place a load of sorted clothes in the washer. Do not overload washer. Overloading can cause poor cleaning.

- The washer can be fully loaded, but not tightly packed. Washer door should close easily.
- Mix large and small items. Avoid washing a single item. Load evenly.
- Wash small items such as infant socks in mesh garment bags. It is recommended that more than one garment bag be used and that each garment bag be filled with equal amounts of material.
- When unloading garments, occasionally check under the colored seal/bellow rim at the front of the tub for small items.

2. Close the washer door by pushing it firmly until the lock clicks. The washer door will remain locked during the wash cycle.

NOTE: The door can be opened only if PAUSE/CANCEL is selected while the ADD A GARMENT light is illuminating or if the cycle has been canceled. See “To cancel a cycle” in the “Changing Cycles, Options, and Modifiers” section.

3. Open the dispenser drawer and add laundry products to the detergent, bleach, or fabric softener compartments. Close drawer slowly to avoid spills. See “Using the Dispenser.”

NOTE: Use only HE High Efficiency detergent.

4. Turn on the washer by selecting POWER. Select one of the cycles by turning the cycle selector. The indicator light for the selected cycle will illuminate. When selecting a Wash Cycle, the preset Modifiers and Options, Water Temp, and Spin Speed for the selected cycle will illuminate. The preset settings provide the recommended fabric care for the selected cycle. See “Cycles.”

5. Select the desired OPTIONS such as Prewash, MAX EXTRACT™, Stain Cycle, or Extra Rinse. Not all Options are available with all cycles. See “Options.”

6. Select the desired MODIFIERS, such as Spin Speed and Wash/Rinse Temp. Not all Modifiers are available with all Cycles and Options. See “Modifiers.”

7. If desired, select the CYCLE SIGNAL. The signal is helpful when you are washing items that should be removed from the washer as soon as it stops. Press CYCLE SIGNAL once to turn it on. The indicator light will illuminate. Press again to turn it off.

8. To begin the wash cycle immediately

Select and hold START (for approximately 1 second).

- If you do not select START within 5 minutes of choosing a cycle, the washer automatically shuts off.
- When the wash cycle is complete, the CLEAN status light illuminates, the door unlocks, and the wash load can be removed from the washer. The washer powers down automatically 5 minutes after the cycle is complete and the Clean light stays on until the door is opened or PAUSE/CANCEL is selected. To power down the washer manually after the wash cycle is complete, select PAUSE/CANCEL once.

9. To begin the wash cycle later

Select DELAY WASH until the desired delay time (in hours) shows in the Estimated Time Remaining display. Select START. The countdown to the wash cycle will show in the display window.

IMPORTANT: When delaying a cycle, use only powdered detergents in the main wash compartment since liquid detergents may seep out of the compartment during Delay, before the wash cycle begins.

Using the Dispenser

Your new washer has a dispenser drawer with three separate compartments for your laundry products—one is for detergent, one is for liquid chlorine bleach, and one is for liquid fabric softener. Laundry products are diluted and dispensed automatically at the proper time during the wash cycle, making it unnecessary for you to return to the washer during the cycle to add them.

It is normal for small amounts of water to remain in the dispensers when the wash cycle is complete.

Do not put laundry products directly into the wash tub. Always use the proper dispensers when adding laundry products.

Choosing the Right Detergent

Use only High Efficiency detergents. The package for this type of detergent will be marked “HE” or “High Efficiency.” This wash system, along with less water, will create too much sudsing with a regular non-HE detergent. Using regular detergent will likely result in washer errors, longer cycle times, and reduced rinsing performance. It may also result in component failures and noticeable mold or mildew. HE detergents are made to produce the right amount of suds for the best performance. Follow the manufacturer's instructions to determine the amount of detergent to use. Remember, concentrated detergents such as 2x or higher will use less detergent based on the load size.

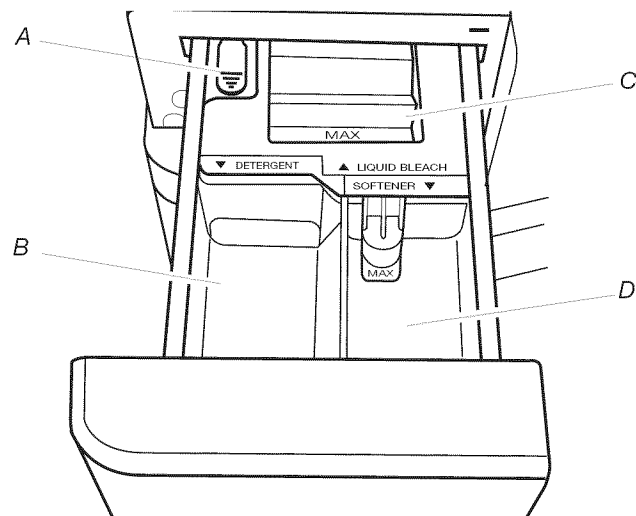


Use only HE High Efficiency detergent.

To fill dispenser compartments

1. Pull out the dispenser drawer.
2. Add the desired laundry product to the proper compartment.

- Push in the dispenser drawer slowly and completely (to avoid a spill).



Dispenser

- A. Dispenser release lever
- B. Main Wash detergent compartment
- C. Liquid chlorine bleach compartment
- D. Fabric softener compartment

Main Wash detergent compartment

(Letter B in Dispenser Illustration)

Add liquid or powdered HE detergent to this compartment for your main wash cycle.

- Powdered color-safe bleach may be added to the Main Wash compartment along with the powdered detergent.
- Use the measurement device which comes with the detergent. Add no more than the manufacturer's recommended amount.

NOTE: Overfilling could cause an oversudsing condition.

Chlorine bleach compartment

(Letter C in Dispenser Illustration)

Add **NO MORE THAN** 2/3 cup (160 mL) liquid chlorine bleach to this compartment. The bleach will be automatically diluted and dispensed at the best time during the first rinse after the wash cycle. This compartment cannot dilute powdered bleach.

- Use only liquid chlorine bleach in this dispenser. Do not use this dispenser to add powdered chlorine or any form of color-safe bleach to your load.
- Always measure liquid chlorine bleach. Use a measuring cup with a pour spout; do not guess. Follow the manufacturer's directions for proper use.
- Do not fill beyond the "MAX" level.

NOTE: Overfilling could cause garment damage.

Fabric softener compartment

(Letter D in Dispenser Illustration)

Add 1/4 cup (60 mL) liquid fabric softener to this compartment. Fabric softener will be automatically dispensed in the final rinse or in the EXTRA RINSE, if selected.

- Do not fill beyond the "MAX" level.

Pausing or Restarting

- To pause the washer at any time, select PAUSE/CANCEL.
- To continue the cycle, select and hold START (for approximately 1 second).

Changing Cycles, Options, and Modifiers

Not all Options and Modifiers are available with all Cycles.

Cycles, Options, and Modifiers can be changed anytime before START is selected.

To stop a cycle and select a new cycle

- Select PAUSE/CANCEL twice.
- Select POWER.
- Select desired cycle.
- Select the desired OPTIONS such as Prewash, MAX EXTRACT™, Stain Cycle, or Extra Rinse.
- Select the desired MODIFIERS such as Spin Speed or Wash/Rinse Temp.
- Select and hold START (for approximately 1 second) to restart the washer at the beginning of the new cycle.

To cancel a cycle

- Select PAUSE/CANCEL twice.
- The washer powers down, the door unlocks, and clothes can be removed.

NOTE: If the water level or the temperature is too high, the washer will drain automatically before the door unlocks.

To change Options or Modifiers after the cycle has started

- Select PAUSE/CANCEL.
- Select the desired Spin Speed, Wash/Rinse Temp, or OPTION (such as Prewash, MAX EXTRACT™, Stain Cycle, or Extra Rinse). If the modifier or option are not available, the machine will beep.
- Select and hold START (for approximately 1 second) to continue the cycle.

To drain the washer manually

- Select PAUSE/CANCEL.
- Select SPIN Only.
- Select and hold START (for approximately 1 second) to begin the drain.
- When the spin is complete, the door unlocks. Items can be removed from the washer.

Status Lights

These lights show which portion of the cycle the washer is operating. They also indicate when you can add an additional item to the wash cycle and when the controls are locked.



Adding items

You can add items to the washer after the wash cycle has started, if the ADD A GARMENT status light is illuminating. All cycles have this feature except Rinse & Spin, Spin Only, and Clean Washer.

To add items

1. Select PAUSE/CANCEL. The washer door unlocks, and items can be added.
2. To continue the cycle, close the door and select and hold START (for approximately 1 second).

NOTE: To add garments after the ADD A GARMENT period is over, the wash cycle needs to be canceled, the items added, and a new wash cycle started.

Clean

The Clean light comes on when the cycle is complete. The light will stay on until the door is opened or PAUSE/CANCEL is selected.

Locking controls

The Control Lock avoids unintended use of the washer. You can also use the control lock feature to avoid unintended cycle or option changes during a cycle. When CONTROLS LOCKED status light is lit, all buttons are disabled except for PAUSE/CANCEL and POWER. You can lock the controls while the washer is operating.

To lock the controls

Select and hold CYCLE SIGNAL for 3 seconds.



The CONTROLS LOCKED status light illuminates.

To unlock the controls

Select and hold CYCLE SIGNAL for 3 seconds until the CONTROLS LOCKED status light turns off.

Estimated Time Remaining

The cycle times vary automatically based on your water pressure, water temperature, detergent, and clothes load. The cycle time will be extended if oversudsing occurs or the load is unbalanced. The SUDs routine removes extra suds and assures proper rinsing of your garments. During the unbalance routine the time displayed may pause until this activity is complete, then resume with the remainder of the cycle. The options you select will also affect the cycle times that are shown in the Preset Cycle Settings table. The Estimated Time Remaining can change up to 30 minutes under extreme conditions. If a small load of clothing is run, the Estimated Time Remaining display will indicate 3 or more minutes, but the cycle will finish immediately. If a large load of clothing is run, the Estimated Time Remaining display may indicate 1 minute, but the cycle will take approximately 5 minutes to finish.

Door Locked

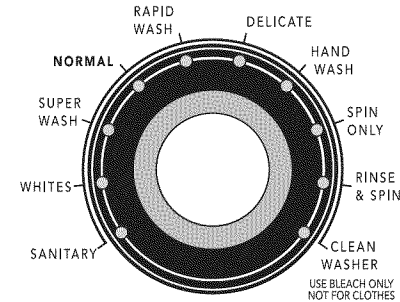
When the status light illuminates, the door is locked.

Cycles

Wash Cycles

Choose Wash Cycle by rotating the Cycle selector knob to the desired cycle. The indicator light for the cycle selected will illuminate. Each cycle is designed for different types of fabric and soil levels.

NOTE: The cycle selector shown below may be different from that of your model.



- Each cycle has a preset cycle time, WASH/RINSE TEMP, SPIN SPEED, and may have preset Options. The preset settings provide the recommended fabric care for the selected cycle.
- The preset settings can be changed anytime before START is selected. Not all Options and Modifiers are available with all Cycles. To change settings after the cycle has started, select PAUSE/CANCEL, then select the desired settings. Select and hold START (for approximately 1 second) to continue the cycle.

Preset Cycle Settings

Each cycle has a preset Cycle Time, Water Temp, and Spin Speed. The preset settings provide the recommended fabric care for the selected cycle. See chart.

Cycle	Estimated Time* (hr:min)	Wash/Rinse Temp	Spin Speed
Sanitary	3H	Extra Hot	High
Whites	1:30 - 2H	Hot	High
Super Wash	1:30	Hot	High
Normal	:56	Warm	High
Rapid Wash (2-3 items)	:30	Warm	High
Delicate	:34	Cold	Low
Handwash	:37	Cold	Low
Spin Only	:14	N/A	High
Rinse & Spin	:26	Cold	High
Clean Washer	:56	N/A	High

*The cycle times vary automatically based on your water pressure, water temperature, detergent, and clothes load. The cycle time will be extended if oversudsing occurs or the load is unbalanced.

Sanitary

Use this cycle to clean heavily soiled, colorfast fabrics. This cycle combines an extra hot water temperature and fast speed tumbling to help ensure the removal of heavy soils and stains. It is recommended that you set your hot water heater to 120°F (49°C) to ensure proper performance during this cycle. Only sanitary cycle has been designed to meet the requirements of NSF protocol P172 for sanitizing efficiency.



Certified to Sanitize

Whites

This cycle is especially designed for cleaning loads of soiled white fabrics with the addition of bleach. Hot washing temperatures assure optimal bleach activity. An additional rinse provides optimal rinse performance to avoid chlorine residue on your laundry. This cycle combines fast-speed tumbling, longer wash time, and high-speed spin to shorten drying time.

Super Wash

Use this cycle to wash loads of sturdy, colorfast fabrics, and heavily soiled garments. This cycle combines fast-speed tumbling, longer wash time, and high speed spin to shorten drying times.

Normal

Use this cycle to wash loads of no-iron fabrics such as sport shirts, blouses, casual business clothes, permanent press blends, cottons and linens, and synthetic fabrics. This cycle combines medium-speed tumbling, high-speed spin, and a load cooling process to reduce wrinkling.

Rapid Wash

Use this cycle to wash small loads of lightly soiled garments that are needed in a hurry. This cycle combines fast-speed tumbling, a shortened wash time, and high speed spin to shorten drying time. Large wash loads will result in the machine increasing the wash time.

Delicate

Use this cycle to clean washable silk and ultra delicate garments. (Check label instructions to make sure that garment is washable.) This cycle gently tumbles and drains without spinning to gently clean garments and minimize wrinkling. Garments will contain a higher amount of water at the end of this cycle, because there is a low spin-speed at the end of the cycle.

- Use mesh garment bags to wash undergarments such as underwire bras, items with strings, and small items such as socks.

Handwash

Use this cycle to clean washable woolen and special care garments. (Check label instructions to make sure that the garment is washable.) Similar to the way garments are hand washed in a sink, the wash action of this cycle combines periods of extra-low tumbling speeds and soaking. Low spin speeds minimize wrinkling.

- Use mesh garment bags as needed.

Spin Only

Use this cycle to drain your washer or to drain and spin your wash load. The spin speed is preset to high. If desired, you can reduce the spin speed by selecting the speed you want from the SPIN SPEED modifier.

NOTE: Loads of synthetics, delicate fabrics, handwashables, and woolens should be drained with no spin or low spin to avoid fabric stress.

To use Spin Only setting

- Select SPIN Only cycle.
- Press START.

Rinse & Spin

Use this cycle to rinse, drain, and spin your wash load. This cycle combines fast-speed tumbling and high-speed spin. If desired, you can reduce the spin speed by selecting the speed you want from the SPIN SPEED modifier.

Rinse & Spin is useful for

- Loads that need rinsing only.
- Adding fabric softener to a load using the fabric softener dispenser.

Clean Washer

Use the Clean Washer cycle once a month to keep the inside of your washer fresh and clean. This cycle uses a higher water level. Use with AFFRESH® washer cleaner tablet or liquid chlorine bleach to thoroughly clean the inside of your washing machine. This cycle should not be interrupted. See “Cleaning Your Washer” in the “Washer Care” section.

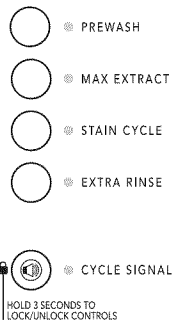
IMPORTANT: Do not place garments or other items in the washer during the Clean Washer cycle. Use this cycle with an empty wash drum.

Normal Sounds

As with any new product, you will hear sounds that you are not accustomed to. You may hear various sounds when the door is locked or unlocked, and during the washing, rinsing, or spinning process. Between changes in wash actions, there will be momentary pauses. You will hear water spraying and splashing during the wash and rinse cycles. These new sounds and pauses are part of normal washer operation. See “Troubleshooting.”

Options

You can customize your wash by adding options to your cycle selections. You can add or change an option after starting a cycle anytime before the selected option begins. Not all options are available with all cycles.



- See the “Laundry Guide” section for an overview of possible options for each Wash Cycle selection.
- If an option is available with a selected cycle, the light for that option will illuminate when selected.
- If an option is unavailable with a selected cycle, there will be a short tone and the light for that option will not illuminate when selected.

Prewash

Use this option for loads of heavily soiled items that need pretreatment.

- Add detergent to Main Wash compartment of the dispenser drawer.

This option adds tumbling time prior to the selected main cycle. The washer continues automatically from prewash into the main wash cycle.

Stain Cycle

Use this option for heavily soiled loads that need improved stain treatment. When Stain Cycle is selected, the water temperature of the selected wash cycle is automatically set to warm. The water will then be heated to a hot water temperature to aid in stain removal. This option will provide optimal removal of organic stains such as blood.

Extra Rinse

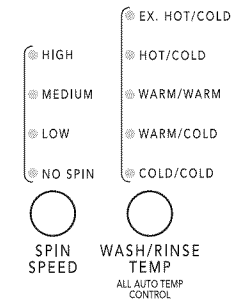
An extra rinse can be used to aid in the removal of detergent or bleach residue from garments. This option provides an additional rinse with the same water temperature as the Normal rinse.

Cycle Signal

This signal is helpful when you are removing items from the washer as soon as it stops. Select ON or OFF.

Modifiers

Preset cycle settings of Wash/Rinse Temperature and Spin Speed can be changed. You can change a modifier after starting a cycle anytime before the selected Modifier begins. Not all modifiers are available with all options and cycles.



- To change the spin speed, select the SPIN SPEED button until the desired setting illuminates.
- To change the water temperature, select the WASH/RINSE TEMP button until the desired setting illuminates.

Wash/Rinse Temp

Select a water temperature based on the type of load you are washing. Use the warmest wash water safe for fabrics. Follow garment label instructions.

Warm rinses leave the loads dryer than cold rinses. Warm rinses increase wrinkling. In cold climates, a warm rinse makes the load more comfortable to handle. Cold rinses save energy.

Temperature Guide

Wash Water Temperature	Suggested Fabrics
EXTRA HOT	Sturdy colorfast fabrics Heavy soils
HOT	Whites and pastels Heavy soils
WARM	Bright colors Moderate to light soils
COLD	Colors that bleed or fade Light soils

In wash water temperatures colder than 60°F (15.6°C), detergents do not dissolve well. Soils may be difficult to remove.

Auto Temp Control

ATC (Auto Temp Control) electronically senses and maintains a uniform water temperature. ATC regulates incoming hot and cold water. The ATC is automatically turned ON when a cycle is selected. See Preset Cycle Settings table in “Cycles.”

- ATC works for the wash temperature with Extra Hot/Cold, Hot/Cold, Warm/Warm, Warm/Cold, and Cold/Cold settings.
- ATC works for the rinse temperature with the Warm/Warm setting.
- The Cold rinse temperatures depend on the cold water at your faucet.

Laundry Guide

Refer to this chart for suggested load types and their corresponding cycles. Listed to the right are the options available to each of these washer cycles.

CYCLE	SUGGESTED LOAD TYPE	AVAILABLE OPTIONS					
		Delay Start	Prewash	MAXEXTRACT™	Stain Cycle	Extra Rinse	Cycle Signal
Sanitary	Heavily soiled underwear, towels, work clothes, diapers, etc.	✓				✓	✓
Whites	Soiled white fabrics	✓	✓	✓	✓	✓	✓
Super	Heavily soiled underwear, towels, shirts, etc., made of cotton	✓	✓	✓	✓	✓	✓
Normal	Normally soiled blouses, shirts, overalls, etc., made of polyester, nylon, cotton, linen, or cotton blends	✓	✓	✓		✓	✓
Rapid Wash	Small loads of 2-3 lightly soiled cotton, polyester, nylon, and cotton blends.	✓		✓		✓	✓
Delicate	Silk and delicate fabrics identified as machine washable.	✓				✓	✓
Handwash	Woolens with a felt-free finish and special care items identified as machine washable.	✓				✓	✓
Spin Only	Most loads, synthetics, delicate fabrics, handwashables, and woolens should be drained with no spin or low spin to avoid fabric stress	✓		✓			✓
Rinse & Spin	All loads	✓		✓		✓	✓
Clean Washer	No clothes, use AFFRESH® washer cleaner tablet or chlorine bleach						

LAUNDRY TIPS

Preparing clothes for washing

Follow these recommendations to help you prolong the life of your garments.

- Use only High Efficiency detergents. The package for this type of detergent will be marked “HE” or “High Efficiency.” This wash system, along with less water, will create too much sudsing with a regular non-HE detergent. Using regular detergent will likely result in washer errors, longer cycle times, and reduced rinsing performance. It may also result in component failures and noticeable mold or mildew. HE detergents are made to produce the right amount of suds for the best performance. Follow the manufacturer's instructions to determine the amount of detergent to use. Remember, concentrated detergents such as 2x or higher will use less detergent based on load size.



Use only HE High Efficiency detergent.

- Close zippers, snaps, and hooks to avoid snagging other items. Remove pins, buckles, and other hard objects to avoid scratching the washer interior. Remove non-washable trim and ornaments.
- Empty pockets and turn them inside out.
- Turn down cuffs; brush away lint and dirt.
- Turn wool and synthetic knits inside out to avoid pilling.
- Tie strings and sashes so they will not tangle.
- Mend tears, loose hems, and seams.
- Treat spots and stains.
- Stained or wet garments should be washed promptly for best results.
- Mix large and small items, avoid washing single items, and load evenly.
- Wash small items, such as infant socks, in a mesh garment bag. To create a balanced load it is recommended that more than one garment bag be used, and that each garment bag be filled with equal amounts of material.

NOTE: If you are washing only small items, it is recommended that more than one mesh garment bag be used, and that each garment bag be filled with equal amounts of material.

Sorting

- Separate heavily soiled items from lightly soiled ones, even if they would normally be washed together. Separate lint-givers (towels, chenille) from lint-takers (corduroy, synthetics, permanent press). When possible, turn lint-givers inside out.
- Separate dark colors from light colors, colorfast items from noncolorfast items.
- Sort by fabric and construction (sturdy cottons, knits, delicate items).

Unloading

- Remove clothes from washer after the cycle is completed. Metal objects such as zippers, snaps, and buckles may rust if left in the washer basket for a long time.
- When unloading garments, occasionally check under the gray colored seal at the front of the tub for small items.

Loading

Loading suggestions

Heavy Work Clothes

2 pair pants	3 pair jeans
3 shirts	1 pair coveralls

Mixed Load

2 double sheets or 1 king size sheet	6 T-shirts	2 blouses
4 pillowcases	6 pair shorts	6 handkerchiefs
	2 shirts	

Towels

8 bath towels	10 washcloths
8 hand towels	1 bath mat











Delicates

3 camisoles	4 panties	2 nighties
4 slips	2 bras	

RAPID WASH cycle

(2-3 garments)	2 dress shirts	1 pair dress pants
----------------	----------------	--------------------

Stain Removal Guide

Stain	Use Liquid Chlorine or Color-Safe Bleach	Use suggested Wash Cycle	Stain	Use Liquid Chlorine or Color-Safe Bleach	Use suggested Wash Cycle
 Ink	✓	Whites	 Grass	✓	Whites
 Blood	✓	Cold or Warm Prewash Normal	 Tomato Products	✓	Whites
 Coffee/Chocolate	✓	Warm Prewash Whites	 Mud	✓	Warm Prewash Whites
 Cosmetics		Super Wash	 Deodorants		Super Wash
 Dirty Motor Oil		Warm Prewash Super Wash	 Ring around the Collar	✓	Normal

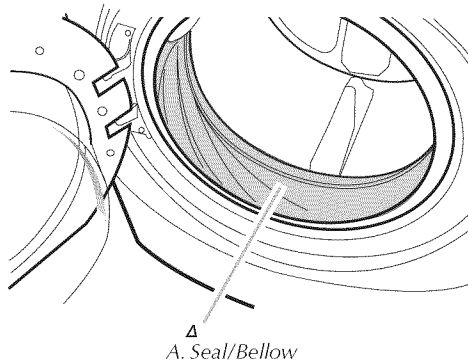
Do not tumble dry soiled or stained items. Heat may permanently set stains.

WASHER CARE

Cleaning Your Washer

Cleaning the Door Seal/Bellow

1. Open the washer door and remove any clothing or items from the washer.
2. Inspect the colored seal/bellow between the door opening and the basket for stained areas. Pull back the seal/bellow to inspect all areas under the seal/bellow and to check for foreign objects.



3. If stained areas are found, wipe down these areas of the seal/bellow, using the procedure that follows.
 - a) Mix a dilute solution, using $\frac{3}{4}$ cup (177 mL) of liquid chlorine bleach, and 1 gal. (3.8 L) of warm tap water.
 - b) Wipe the seal/bellow area with the dilute solution, using a damp cloth.
 - c) Let stand 5 minutes.
 - d) Wipe down area thoroughly with a dry cloth and let the washer interior air dry with door open.

IMPORTANT:

- Wear rubber gloves when cleaning for prolonged periods.
- Refer to the bleach manufacturer's instructions for proper use.

Washer Maintenance Procedure

This washer has a special cycle that uses higher water volumes in combination with AFFRESH® washer cleaner or liquid chlorine bleach to thoroughly clean the inside of the washer.

NOTES:

- Read these instructions completely before beginning the cleaning process.
- If necessary, the cleaning cycle may be interrupted by pressing the PAUSE/CANCEL button twice. However, this will not immediately stop the cycle. The machine will continue with several rinse and drain steps to ensure that all remaining bleach is rinsed from the washer.

Begin procedure

1. Open the washer door and remove any clothing or items from the washer.
2. **Using the AFFRESH® washer cleaner (Recommended):**
Add one AFFRESH® washer cleaner tablet to the washer drum.
If using liquid chlorine bleach:
Open the dispenser drawer and immediately add $\frac{2}{3}$ cup (160 mL) of liquid chlorine bleach to the bleach compartment.
NOTE: Do not add any detergent to this cycle. Use of more than $\frac{2}{3}$ cup (160 mL) of bleach will cause product damage over time.
3. Close the washer door and dispenser drawer.
4. Select the CLEAN WASHER cycle.
5. Press START.
NOTE: The basket will rotate, then the door will unlock, lock again, and then the cycle will continue.
 - The machine will not fill, but the basket will rotate while the washer runs a short sensing cycle. This will take approximately 3 minutes.
6. The cycle will determine whether clothing or other items are in the washer.
 - a) If no items are detected in the washer, it will proceed to Step 8.
NOTE: Some models have available the option to display failure codes.
 - b) If any items are detected in the washer, "rL" or "F-34" will be displayed, and the PREWASH and CLEAN lights will remain lit. The door will unlock. Remove clothing or items in the washer.
 - Press STOP to cancel the failure code. Then repeat steps 1, 2, and 6 to start the cycle again.
7. Once the cycle has begun, allow the cycle to complete.
8. After the cycle is complete, leave the door open slightly, to allow for better ventilation, and drying of washer interior.

Always do the following to maintain washer freshness

- Use only HE High Efficiency detergent.
- Leave the door slightly open after each cycle to allow for better ventilation and drying of washer interior.
- Repeat the cleaning procedure monthly, using $\frac{2}{3}$ cup (160 mL) of liquid chlorine bleach.
- If the procedure does not sufficiently improve the machine freshness, please evaluate your installation and usage conditions for other causes.

Cleaning the exterior

Use a soft damp cloth or sponge to wipe up any spills. Occasionally wipe the outside of your washer to keep it looking new. Use mild soap and water. Do not use abrasive products.

Cleaning the dispenser drawer

The dispenser drawer can be removed for easy cleaning.

1. Unlock the dispenser drawer by pressing the dispenser release lever (letter A in Dispenser Illustration, see “Using the Dispenser”). Remove the drawer.
 2. Remove the inserts (the siphon from the softener and bleach compartments).
 3. Wash the parts under running water.
NOTE: Do not wash components in the dishwasher.
 4. Replace the inserts and return the dispenser to the drawer.
-

Water Inlet Hoses

Replace inlet hoses after 5 years of use to reduce the risk of hose failure. Periodically inspect and replace inlet hoses if bulges, kinks, cuts, wear, or leaks are found.

When replacing your inlet hoses, record the date of replacement.

Vacation, Storage, and Moving Care

Install and store your washer where it will not freeze. Because some water may stay in the hoses, freezing can damage your washer. If storing or moving your washer during freezing weather, winterize it.

Non-use or vacation care:

Operate your washer only when you are at home. If you will be on vacation or not using your washer for an extended period of time, you should:

- Unplug washer or disconnect power.
 - Turn off the water supply to the washer. This helps avoid flooding (due to a water pressure surge) while you are away.
 - Slightly open door to provide ventilation.
-

To winterize washer:


1. Put 1 qt (1 L) of R.V.-type antifreeze in the drum.
 2. Run washer on a Drain & Spin cycle.
 3. Unplug washer or disconnect power.
 4. Shut off both water faucets.
 5. Disconnect water inlet hoses from faucets and drain.
-

To use washer again:

1. Flush water pipes.
 2. Reconnect water inlet hoses to faucets.
-

3. Turn on both water faucets.

⚠ WARNING



Electrical Shock Hazard

Plug into a grounded 3 prong outlet.

Do not remove ground prong.

Do not use an adapter.

Do not use an extension cord.

Failure to follow these instructions can result in death, fire, or electrical shock.

4. Plug in washer or reconnect power.
 5. Run the washer through the Normal cycle with ½ the manufacturer’s recommended amount of HE detergent for a medium-size load, to clean the washer and remove the antifreeze, if used.
-

To transport the washer:

1. If washer will be moved during freezing weather, put in 1 qt (1 L) of R.V.-type antifreeze in the drum. Run washer on a Drain & Spin cycle.
 2. Unplug the power cord.
 3. Disconnect the drain hose from the drain system and attach to rear panel clips.
 4. Shut off both water faucets.
 5. Disconnect the water inlet hoses from faucets, then drain the hoses and clip them to the rear panel of the washer.
 6. **IMPORTANT:** Call service. Do not reuse transport bolts. Washer must be transported in the upright position. To avoid suspension and structural damage, your machine must be properly set up for relocation by a certified technician.
-

Reinstalling the washer

1. Follow the “Installation Instructions” to locate, level and connect the washer.
 2. Run the washer through the Normal cycle with ½ the manufacturer’s recommended amount of HE detergent for a medium-size load, to clean the washer and remove the antifreeze, if used.
-

TROUBLESHOOTING

First try the solutions suggested here or visit our website and reference FAQs (Frequently Asked Questions) to possibly avoid the cost of a service call.
in U.S.A. www.maytag.com/help In Canada www.maytag.ca

Washer and Components

Error codes

An error code may be shown in the Estimated Time Remaining display. Check the list below for potential problem and troubleshooting checks.

- **“F20” on display (Water Inlet Problem—no water or insufficient water supply)**
Select PAUSE/CANCEL twice to cancel the cycle. Unplug washer or disconnect power.


Check the following:

Are water faucets completely turned on?

Are screens at inlet hose connection to washer clogged? Are water inlet hoses kinked?

Are water inlet hoses frozen?

⚠ WARNING



Electrical Shock Hazard

- Plug into a grounded 3 prong outlet.**
- Do not remove ground prong.**
- Do not use an adapter.**
- Do not use an extension cord.**

Failure to follow these instructions can result in death, fire, or electrical shock.

Plug in washer or reconnect power. Re-select cycle and press START. If the problem remains, call for service.

- **“F21” on display (Drain Problem)**
Select PAUSE/CANCEL twice to cancel the cycle. Unplug washer or disconnect power.

Check the following:

Is the drain hose kinked?

Is the drain hose frozen?

Is the drain hose clogged?

Is the drain hose more than 96" (2.4 m) above the floor?

Plug in washer or reconnect power. Re-select cycle and press START. If the problem remains, call for service.

- **“SD” (Suds Routine)**
When excessive suds are detected, a suds routine automatically starts. This routine removes extra suds and assures proper rinsing of your garments. “SD” is displayed during rinsing and at the end of the cycle to inform you that the Suds Routine was activated. Use only HE (High Efficiency) detergents.
- **“F” Variables [F--] (Electrical Problem)**
Select PAUSE/CANCEL twice to cancel the cycle. Select RINSE & SPIN, and then select EXTRA RINSE (to turn off the rinse option) if there is excessive water in the washer.
Re-select cycle and press START. If the problem remains, call for service.

Noisy, vibrating, off-balance

- **Is the washer level?**
The washer must be level. The four feet should be properly installed, and the nuts should be tightened against the washer cabinet.

All four feet of the washer must be in firm contact with the floor. If the washer is on a pedestal, the washer must be secured to the pedestal and all four pedestal feet must be in firm contact with the floor.
- **Washer making a different noise?**
As with any new product, you will hear sounds that you are not accustomed to. You may hear various sounds when the door is locked or unlocked, and during the washing, rinsing, or spinning process. Between changes in wash actions, there will be momentary pauses. You will hear water spraying and splashing during the wash and rinse cycles. These new sounds and pauses are part of normal washer operation.
- **Is washer installed on a sturdy and solid floor?**
Refer to the “Installation Instructions” for flooring requirements. Noise and vibration may be reduced by placing a piece of ¾" (19.1 mm) plywood underneath your washer. The plywood may extend underneath both washer and dryer to keep them at equal heights.
- **Is the washer gurgling or humming?**
As water is drained from the washer, you may hear air being pulled through the pump. This happens during the end of draining. It is normal.
- **Are you washing items with metal snaps, buckles or zippers?**
You may hear metal items touching the washer drum. This is normal.
- **Were the 4 shipping bolts in the back of the machine removed?**
See “Remove Transport System.”

Leaking

- **Was the door opened during “Add a garment”?**
Water can drip off the inside of the door, when the door is opened after the start of a cycle.
- **Is HE detergent being used?**
Non-High Efficiency detergents can cause oversudsing which can leak from the rear of the washer.
- **Are the fill hoses tight?**
- **Are the fill hose gaskets properly seated?**
Check both ends of each hose. See “Connect the Inlet Hoses.”
- **Is the drain hose properly installed?**
The drain hose should be secured to the drainpipe or laundry tub. See “Secure the Drain Hose.”
- **Is the sink or drain clogged?**
Sink and drainpipe must be able to carry away 17 gal. (64 L) of water per minute. If clogged or slow, water can back up out of drainpipe or sink. Check household plumbing (laundry tubs, faucets, drainpipe, water pipes) for leaks.

Dispenser operation

- **Did you follow the manufacturer’s directions when adding detergent and fabric softener to the dispensers?**
Measure detergent and fabric softener. Slowly pour into the dispensers. Wipe up all spills. Dilute fabric softener in the fabric softener dispenser.
- **Did you put powdered or liquid color-safe bleach into the liquid chlorine bleach dispenser (on some models)?**
Add powdered or liquid color-safe bleach to the Main Wash compartment. Do not use the chlorine bleach dispenser for color-safe bleach.
- **Is the fabric softener dispenser clogged?**
Clean the fabric softener dispenser. See “Washer Care” for details.
- **Are the laundry products in the correct dispenser compartment?**
Add the correct amounts of detergent, fabric softener or liquid chlorine bleach to the correct compartments. Add powdered or liquid color-safe bleach to the Main Wash compartment.
- **Is there water in the dispenser at the end of the cycle?**
A small amount of water will remain in the dispenser compartment. This is normal.

Washer odor

- **See “Cleaning Your Washer.”**
- **Are you using AFFRESH® washer cleaner on a regular basis?**
AFFRESH® washer cleaner removes and avoids odor-causing residue in all High Efficiency washers. For washers where odor is present, use 3 tablets instead of 1 tablet. After the CLEAN WASHER cycle is complete, wipe away residue if necessary.
- **Are you using HE detergent?**
Use of non-HE detergent can cause a film residue which can result in odor.

- **Did you leave the door open after use?**
This washer has a tight seal to avoid water leaks. To avoid odors leave the door open to allow the washer to dry between uses.


Door won't unlock

- **Did all of the water drain out of the washer during the spin?**
Select RINSE & SPIN, and then select EXTRA RINSE (to turn off the rinse option) to remove any water remaining in the washer. The washer door will unlock at the end of the drain.
- **Is the door locked and is the “Add A Garment” light on?**
Press PAUSE/CANCEL once. The door will unlock.

Washer Operation

Washer won't power up

⚠ WARNING



Electrical Shock Hazard

Plug into a grounded 3 prong outlet.

Do not remove ground prong.

Do not use an adapter.

Do not use an extension cord.

Failure to follow these instructions can result in death, fire, or electrical shock.

- **Is the power cord plugged into a grounded 3 prong outlet?**
Plug power cord into a grounded 3 prong outlet.
- **Are you using an extension cord?**
Do not use an extension cord.
- **Has a household fuse blown, or has a circuit breaker tripped?**
Check that the washer is plugged into a working outlet, and check for blown fuses. Replace the fuse, or reset the circuit breaker. If the problem continues, call an electrician.
- **Is your voltage low?**
Check electrical source or call electrician.

Washer cycle won't start

- **Is the washer door firmly shut?**
The door must be closed during operation.
- **Has a cycle been selected, but START has not been selected and held for 1 second?**
Press and hold START, for 1 second.
- **Was the door open after completion of last cycle?**
The door must be opened and closed again to start a new cycle.
- **Is the door locked?**
If door is locked, run a drain cycle and drain the washer.

Control won't accept selections or won't shut off

- **Are the touch pad controls locked?**
Hold for 3 seconds the button to lock/unlock controls.
- **Are the touch pad buttons not responding?**
Press STOP on the touch-pad twice. Check the touch-pad/LED assembly by selecting different cycles and changing the modifiers and options available to confirm the touch-pad/LED assembly is responding.

Washer stops working

- **Does the washer shut down the same time in the same wash cycle repeatedly?**
Unplug washer or disconnect power. Wait 5 minutes. Plug in washer or reconnect power. Run another cycle.

When the washer stops working

At the beginning of the cycle:

Washer won't dispense

- **Is the washer level?**
Check that the washer is level. See "Level Washer."
- **Has the drawer dispensed detergent?**
Check that the dispenser drawer is not clogged with detergent.
- **Are both the hot and cold water faucets turned on?**
Check water hose connections to the washer. Check for plugged screen in water source. Check the water supply and the water valve.

Washer won't fill

- **Low water pressure at home?**
Check if the home has low water pressure, open the water faucets.
- **Are both the hot and cold water faucets turned on?**
Verify hot and cold valve at the water faucets are fully open.

- **Is the water inlet hose kinked?**
Straighten the hoses. Check water hose connections to the washer and make sure water supply hoses are not obstructed. Check for plugged screen.
- **Are the water inlet valve screens clogged?**
Turn off the water and remove inlet hoses from the washer. Remove any accumulated film or particles. Reinstall hoses, turn on water, and check for leaks.
- **Are you using HE detergent?**
HE detergent is a low sudsing detergent. This is normal and will not affect cleaning performance.
- **Low water?**
This washer uses very little water to provide good cleaning results. You will see little or no water splashing in this washer. This is normal.

Washer won't run

- **Is the washer in a normal pause in the cycle?**
The washer pauses for about 2 minutes during certain cycles. Allow the cycle to continue. Some cycles feature periods of tumbling and soak.
- **Is the washer overloaded?**
Wash smaller loads.

Incorrect water temperature or Wash/Rinse temperature

- **Are the hot and cold water inlet hoses reversed?**
See "Connect the Inlet Hoses."
- **Are you washing many loads?**
As your frequency of loads washed increases, the water temperature may decrease for hot and warm temperatures. This is normal.

Not enough water/Not enough suds

- **Low water?**
This washer uses very little water to provide good cleaning results. You will see little or no water splashing in this washer. This is normal.
- **Are you using HE detergent?**
HE detergent is a low sudsing detergent. This is normal and will not affect cleaning performance.

When the washer stops working

At the middle of the cycle:

Washer continues to fill or drain, cycle seems stuck

- **Is the top of drain hose lower than 30" (760 mm) on washer?**
The top of the drain hose must be at least 30" (760 mm) above the floor. See "Drain System." Check that the washer is level. Check if the valve is blocked open. If the valve is blocked open, uncontrolled filling will occur.

- **Does the drain hose fit too tightly in the standpipe, or is it taped to the standpipe?**
The drain hose should be loose yet fit securely. Do not seal the drain hose with tape. The hose needs an air gap. See “Secure the Drain Hose.”

Washer won't drain or spin, water remains in washer

- **Is the drain hose clogged, or the end of the drain hose more than 96" (2.4 m) above the floor?**
See “Installation Requirements.”
- **Does the drain hose fit too tightly in the standpipe, or is it taped to the standpipe?**
The drain hose should be loose yet fit securely. Do not seal the drain hose with tape. The hose needs an air gap. See “Secure the Drain Hose.”
- **Excessive suds?**
When excessive suds are detected, a special suds routine automatically starts. Cycle will complete once extra suds are removed. This will occur more frequently when a non-HE detergent is used.
- **Is the load balanced?**
A single or bulky item may cause imbalance. Add more items or redistribute the load.

Washer motor overheats

- If the washer motor overheats, call for service.

Noise, Vibration, & Time

Washer vibrates

- **Are the shipping bolts removed?**
Verify the shipping system including shipping bolts and spacers are removed, and power cord out of the washer.
- **Is the washer level?**
Check leveling feet. See “Level Washer.”
- **Is the drum empty?**
Rotate drum by hand to check for any binding of the spin basket. Check for clothing stuck between spin basket and outer tub. Move open end drum up and down while holding outer tub steady and check for looseness (more than ¼" of movement).
- **Is the load balanced?**
A single or bulky item may cause imbalance. Add more items or redistribute the load.

Cycle time changes/Cycle too long

- **Estimated cycle time?**
The cycle times vary automatically based on your water pressure, water temperature, detergent, and clothes load. The cycle time will be extended if oversudsing occurs or the load is unbalanced. The SUDS routine removes extra suds and assures proper rinsing of your garments. The options you select will also affect the cycle times that are shown in the Preset Cycle Settings table.

- **Excessive suds?**
When excessive suds are detected, a special suds routine automatically starts. This routine will add time to the original cycle.
- **Did the load cause imbalance?**
When an imbalance occurs, an imbalance routine will start to redistribute the load. During the imbalance routine the time displayed may pause until this activity is complete, then resume with the remainder of the cycle.
- **Are you washing a single item or bulky load?**
Spin time is added if an unbalanced load is detected. The washer will attempt to redistribute the load with additional tumbling.
- **Did you wash a large load in a delicate cycle?**
When using the Delicate wash cycle you should use small loads. This ensures a gentle wash for your garments without increasing cycle times.

Clothes Care

Load too wet

- **Did you use the right cycle for the load being washed?**
Select a cycle with a higher spin speed.
- **Did you wash a single item or bulky items or have you overloaded the washer?**
A single item, bulky items, or overloading may cause imbalance. Add items or try to evenly distribute your wet laundry in the drum. Select RINSE & SPIN, and then select EXTRA RINSE (to turn off the rinse option), to drain the washer. If the laundry is still wet, take half of the load out of the washer and try again.
- **Did you use HE detergent?**
Suds during rinse and spin cycles can reduce spin speed. Use HE detergent.

Residue, lint, stains on load; gray whites, dingy colors

- **Did you add detergent to the dispenser?**
For best results, add detergent to the detergent compartment. Do not add detergent to the washer drum.
- **Did you sort properly?**
Sort lint givers (towels, chenille) from lint takers (corduroy, synthetics). The transfer of dye can occur when mixing whites and colors in a load. Sort dark clothes from whites and lights.
- **Did you overload the washer?**
Do not overload the washer. The washer can be fully loaded, but not tightly packed. The wash load must be balanced. Lint can be trapped in the load if overloaded.
- **Check the following:**
Was paper or tissue left in pockets?
- **Did you use enough HE detergent?**
Follow manufacturer's recommendations for the type of load you are washing. For best performance, use only High Efficiency detergent. Use enough detergent to remove soil and hold it in suspension.
- **Do you have hard water?**
Use more detergent for washing heavy soils in cold or hard water.

■ **Is your water colder than 60°F (15.6°C)?**

Wash water colder than 60°F (15.6°C) may not completely dissolve the detergent. Use hot or warm washes if safe for the fabric load. Make sure your hot water system is adequate to provide a hot water wash.

■ **Are you using a low speed wash cycle?**

Powdered detergents may not dissolve well in a slow-speed cycle. For best results, use liquid detergent for slow-speed cycles such as Delicates.

■ **Did you unload the washer promptly?**

To avoid the transfer of dye, unload the washer as soon as it stops.

■ **Did you use a fabric softener dispensing ball?**

Dispensing balls will not operate correctly with this washer. Add liquid fabric softener to the fabric softener compartment.

■ **Did you use powdered detergent in a low-speed cycle?**

Consider using liquid detergent.

■ **Did you use Rapid Wash on a large load?**

For best results, use Rapid Wash for small, lightly soiled loads.

Load is wrinkled, twisted, tangled

■ **Did you unload the washer promptly?**

Unload the washer as soon as it stops.

■ **Did you use the right cycle for the load being washed?**

Use the Delicates cycle or another cycle with a low spin speed to reduce wrinkling.

■ **Did you overload the washer?**

The wash load must be balanced and not overloaded. Loads should tumble freely during washing.

■ **Was the wash water warm enough to relax wrinkles?**

If safe for load, use warm or hot wash water.

■ **Are the hot and cold water hoses reversed?**

Check that the hot and cold water hoses are connected to the right faucets. A hot rinse followed by spin will cause wrinkling. See "Connect the Inlet Hoses."

ASSISTANCE OR SERVICE

Before calling for assistance or service, please check “Troubleshooting.” It may save you the cost of a service call. If you still need help, follow the instructions below.

When calling, please know the purchase date and the complete model and serial number of your appliance. This information will help us to better respond to your request.

If you need replacement parts

If you need to order replacement parts, we recommend that you use only factory specified parts. Factory specified parts will fit right and work right because they are made with the same precision used to build every new MAYTAG® appliance.

To locate factory specified parts in your area, call the following customer assistance telephone number or your nearest designated service center.

In the U.S.A.

Call Maytag Services, LLC Customer Assistance toll free: **1-800-688-9900**, or visit our website at **www.maytag.com**

Our consultants provide assistance with:

- Features and specifications on our full line of appliances.
- Installation information.
- Use and maintenance procedures.
- Accessory and repair parts sales.
- Specialized customer assistance (Spanish speaking, hearing impaired, limited vision, etc.).
- Referrals to local dealers, repair parts distributors and service companies. Maytag® appliances designated service technicians are trained to fulfill the product warranty and provide after-warranty service, anywhere in the United States.

To locate the Maytag® appliances designated service company in your area, you can also look in your telephone directory Yellow Pages.

For further assistance

If you need further assistance, you can write to Maytag® appliances with any questions or concerns at:

Maytag Services, LLC
ATTN: CAIR® Center
P.O. Box 2370
Cleveland, TN 37320-2370

Please include a daytime phone number in your correspondence.

In Canada

Call the Whirlpool Canada LP Customer Interaction Centre toll free: **1-800-807-6777**, or visit our website at **www.whirlpool.ca**.

Our consultants provide assistance with:

- Features and specifications on our full line of appliances.
- Use and maintenance procedures.
- Accessory and repair parts sales.
- Referrals to local dealers, repair parts distributors, and service companies. Whirlpool Canada LP designated service technicians are trained to fulfill the product warranty and provide after-warranty service, anywhere in Canada.

For further assistance

If you need further assistance, you can write to Whirlpool Canada LP with any questions or concerns at:

Customer Interaction Centre
Whirlpool Canada LP
1901 Minnesota Court
Mississauga, Ontario L5N 3A7

Please include a daytime phone number in your correspondence.

Accessories

Enhance your washer with these premium accessories.

For more high-quality items or to order, call **1-800-901-2042**, or visit us at **www.maytag.com/accessories**. In Canada call: **1-800-807-6777** or visit us at **www.whirlpoolparts.ca**.

Part Number	Accessory
8212638RP	6 ft (1.8 m) nylon braided inlet hose, space saving 90° elbow, hypro-blue steel couplings. (2-pack)
8212487RP	5 ft (1.5 m) nylon braided inlet hose. (2-pack)
8212526	Washer drip tray, fits under all
31682	All purpose appliance cleaner
1903WH	Laundry supply storage cart
W10135699	AFFRESH® washer cleaner

MAYTAG® LAUNDRY WARRANTY

LIMITED WARRANTY

For one year from the date of purchase, when this major appliance is operated and maintained according to instructions attached to or furnished with the product, Maytag brand of Whirlpool Corporation or Whirlpool Canada LP (hereafter “Maytag”) will pay for factory specified parts and repair labor to correct defects in materials or workmanship that existed when this major appliance was purchased. Service must be provided by a Maytag designated service company. YOUR SOLE AND EXCLUSIVE REMEDY UNDER THIS LIMITED WARRANTY SHALL BE PRODUCT REPAIR AS PROVIDED HEREIN. This limited warranty is valid only in the United States or Canada and applies only when the major appliance is used in the country in which it was purchased. Proof of original purchase date is required to obtain service under this limited warranty.

ITEMS EXCLUDED FROM WARRANTY

This limited warranty does not cover:

1. Replacement parts or repair labor if this major appliance is used for other than normal, single-family household use or when it is used in a manner that is inconsistent to published user or operator instructions and/or installation instructions.
2. Service calls to correct the installation of your major appliance, to instruct you on how to use your major appliance, to replace or repair house fuses, or to correct house wiring or plumbing.
3. Service calls to repair or replace appliance light bulbs, air filters or water filters. Consumable parts are excluded from warranty coverage.
4. Damage resulting from accident, alteration, misuse, abuse, fire, flood, acts of God, improper installation, installation not in accordance with electrical or plumbing codes, or use of products not approved by Maytag.
5. Cosmetic damage, including scratches, dents, chips or other damage to the finish of your major appliance, unless such damage results from defects in materials or workmanship and is reported to Maytag within 30 days from the date of purchase.
6. Pick up and delivery. This major appliance is intended to be repaired in your home.
7. Repairs to parts or systems resulting from unauthorized modifications made to the appliance.
8. Expenses for travel and transportation for product service if your major appliance is located in a remote area where service by an authorized Maytag servicer is not available.
9. The removal and reinstallation of your major appliance if it is installed in an inaccessible location or is not installed in accordance with Maytag's published installation instructions.
10. Replacement parts or repair labor on major appliances with original model/serial numbers that have been removed, altered, or cannot be easily determined.

DISCLAIMER OF IMPLIED WARRANTIES

IMPLIED WARRANTIES, INCLUDING ANY IMPLIED WARRANTY OF MERCHANTABILITY OR IMPLIED WARRANTY OF FITNESS FOR A PARTICULAR PURPOSE, ARE LIMITED TO ONE YEAR OR THE SHORTEST PERIOD ALLOWED BY LAW. Some states and provinces do not allow limitations on the duration of implied warranties of merchantability or fitness, so this limitation may not apply to you. This warranty gives you specific legal rights, and you also may have other rights that vary from state to state or province to province.

LIMITATION OF REMEDIES; EXCLUSION OF INCIDENTAL AND CONSEQUENTIAL DAMAGES

YOUR SOLE AND EXCLUSIVE REMEDY UNDER THIS LIMITED WARRANTY SHALL BE PRODUCT REPAIR AS PROVIDED HEREIN. MAYTAG SHALL NOT BE LIABLE FOR INCIDENTAL OR CONSEQUENTIAL DAMAGES. Some states and provinces do not allow the exclusion or limitation of incidental or consequential damages, so these limitations and exclusions may not apply to you. This warranty gives you specific legal rights, and you also may have other rights that vary from state to state or province to province.

If outside the 50 United States and Canada, contact your authorized Maytag dealer to determine if another warranty applies.

If you think you need repair service, first see the “Troubleshooting” section of the Use & Care Guide. If you are unable to resolve the problem after checking “Troubleshooting,” additional help can be found by checking the “Assistance or Service” section or by calling Maytag. In the U.S.A., call **1-800-688-9900**. In Canada, call **1-800-807-6777**. 6/08

Keep this book and your sales slip together for future reference. You must provide proof of purchase or installation date for in-warranty service.

Write down the following information about your major appliance to better help you obtain assistance or service if you ever need it. You will need to know your complete model number and serial number. You can find this information on the model and serial number label located on the product.

Dealer name _____

Address _____

Phone number _____

Model number _____

Serial number _____

Purchase date _____

SÉCURITÉ DE LA LAVEUSE

Votre sécurité et celle des autres est très importante.

Nous donnons de nombreux messages de sécurité importants dans ce manuel et sur votre appareil ménager. Assurez-vous de toujours lire tous les messages de sécurité et de vous y conformer.



Voici le symbole d'alerte de sécurité.

Ce symbole d'alerte de sécurité vous signale les dangers potentiels de décès et de blessures graves à vous et à d'autres.

Tous les messages de sécurité suivront le symbole d'alerte de sécurité et le mot "DANGER" ou "AVERTISSEMENT". Ces mots signifient :

⚠ DANGER

Risque possible de décès ou de blessure grave si vous ne suivez pas immédiatement les instructions.

⚠ AVERTISSEMENT

Risque possible de décès ou de blessure grave si vous ne suivez pas les instructions.

Tous les messages de sécurité vous diront quel est le danger potentiel et vous disent comment réduire le risque de blessure et ce qui peut se produire en cas de non-respect des instructions.

IMPORTANTES INSTRUCTIONS DE SÉCURITÉ

AVERTISSEMENT : Pour réduire les risques d'incendie, de choc électrique ou de blessures lors de l'utilisation de la laveuse, suivre les précautions fondamentales dont les suivantes :

- Lire toutes les instructions avant d'utiliser la laveuse.
- Ne pas laver des articles qui ont été nettoyés ou lavés avec de l'essence ou imbibés d'essence, solvants de nettoyage à sec, ou autres substances inflammables ou explosives; ces substances peuvent émettre des vapeurs susceptibles de s'enflammer ou d'exploser.
- Ne pas ajouter d'essence, solvant de nettoyage à sec ou autre produit inflammable ou explosif dans l'eau de lavage. Ces substances peuvent émettre des vapeurs susceptibles de s'enflammer ou d'exploser.
- Dans certaines conditions, de l'hydrogène gazeux peut se former dans un circuit d'eau chaude qui n'a pas été utilisé pendant 2 semaines ou plus. **LE GAZ HYDROGÈNE EST EXPLOSIBLE.** Si le circuit d'eau chaude n'a pas été utilisé pendant une telle période, avant d'utiliser la laveuse, ouvrir tous les robinets d'eau chaude et laisser l'eau s'écouler pendant plusieurs minutes par chaque robinet. Ceci permettra l'évacuation de l'hydrogène gazeux accumulé. Comme ce gaz est inflammable, ne pas fumer ou utiliser une flamme nue au cours de cette période.
- Ne pas laisser des enfants jouer sur ou à l'intérieur de la laveuse. Bien surveiller les enfants lorsque la laveuse est utilisée à proximité d'enfants.
- Avant de mettre la laveuse au rebut ou hors de service, enlever la porte ou le couvercle.
- Ne pas tenter d'atteindre un article à l'intérieur de la cuve de la laveuse lorsque le tambour, la cuve ou l'agitateur est en mouvement.
- Ne pas installer ou remiser cette laveuse à un endroit où elle serait exposée aux intempéries.
- Ne pas modifier les organes de commande.
- Ne pas réparer ou remplacer un composant quelconque de la laveuse, ni entreprendre une opération de service, si ce n'est spécifiquement recommandé dans ce manuel ou dans un manuel d'instructions de réparations destiné à l'utilisateur; il est alors essentiel que la personne concernée comprenne ces instructions et soit compétente pour les exécuter.
- Voir "Spécifications électriques" pour les instructions de liaison à la terre.

CONSERVEZ CES INSTRUCTIONS

Avertissements de la proposition 65 de l'État de Californie :

AVERTISSEMENT : Ce produit contient un produit chimique connu par l'État de Californie pour être à l'origine de cancers.

AVERTISSEMENT : Ce produit contient un produit chimique connu par l'État de Californie pour être à l'origine de malformations et autres déficiences de naissance.

EXIGENCES D'INSTALLATION

Outillage et pièces

Rassembler les outils et pièces nécessaires avant de commencer l'installation. Les pièces fournies se trouvent dans le tambour de la laveuse.

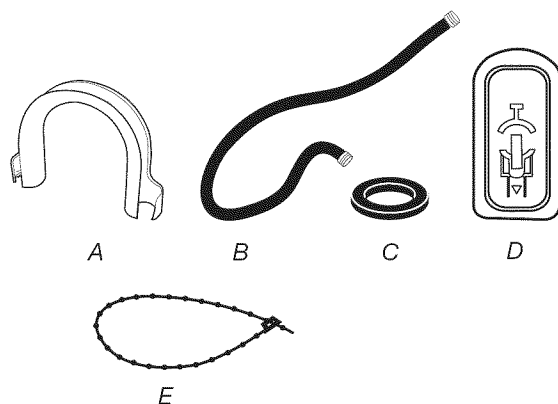
Outils nécessaires au raccordement des tuyaux d'arrivée d'eau

- Pince (ouverture jusqu'à 1⁹/₁₆" [39,5 mm])
- Lampe de poche (facultative)

Outils nécessaires à l'installation

- Clés plates de 14 mm et 13 mm
- Niveau
- Cale en bois
- Règle ou mètre ruban

Pièces fournies



- A. Bride de retenue pour tuyau de vidange (en forme de U)
 B. Tuyau d'alimentation (2)
 C. Rondelle pour tuyau d'alimentation (4)
 D. Bouchon pour les trous des boulons de transport (4)
 E. Courroie perlée

Autres pièces

Il se peut que l'installation nécessite des pièces supplémentaires. Pour acheter l'un des articles indiqués ici, composer le numéro sans frais indiqué sur la couverture ou à la section "Assistance ou service".

Si vous avez	Vous devrez acheter
Évier de buanderie ou tuyau de rejet à l'égout plus haut que 96" (2,4 m)	Système de pompe de puisard (si non déjà disponible)
Égout surélevé	Évier de vidange standard de 20 gal. (76 L) de 30" (762 mm) de hauteur ou évier utilitaire et pompe de puisard (disponibles chez votre fournisseur local d'articles de plomberie)
Égout au plancher	Brise-siphon, pièce n° 285834; tuyau de vidange additionnel, pièce n° 8318155; et trousse de connexion, pièce n° 285835
Tuyau de vidange trop court	Trousse de rallonge du tuyau de vidange de 4 pi (1,2 m), pièce n° 285863

Si vous avez

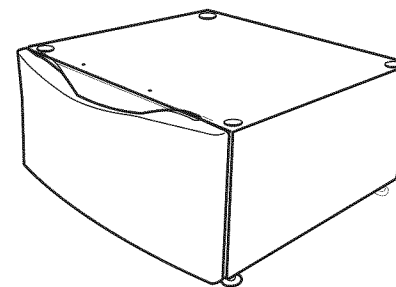
Vous devrez acheter

2 tuyaux d'admission d'eau plus longs :
 6 pi (1,8 m), pièce n° 76314
 10 pi (3,0 m), pièce n° 350008

Options

Piédestal

Vous pouvez acheter séparément des piédestaux de différentes hauteurs pour cette laveuse. Vous pouvez choisir un piédestal de 10" (254 mm) ou un piédestal de 15,5" (394 mm). Le piédestal augmentera la hauteur totale de la laveuse.



Piédestal facultatif

Hauteur du piédestal	Hauteur approximative avec laveuse	Couleur	Numéro de modèle
10" (254 mm)	46" (1168 mm)	Blanc	MHP1000SQ0
10" (254 mm)	46" (1168 mm)	Noir	MHP1000SB0
10" (254 mm)	46" (1168 mm)	Rouge canneberge	XHP1000WR
15,5" (394 mm)	51,5" (1308 mm)	Blanc	MHP1500SQ0
15,5" (394 mm)	51,5" (1308 mm)	Noir	MHP1500SB0
15,5" (394 mm)	51,5" (1308 mm)	Bleu	MHP1500SK0

Ensemble de superposition

Prévoyez-vous de superposer votre laveuse et votre sècheuse? Pour ce faire, vous devrez acheter un ensemble de superposition.

Pour commander, téléphoner au marchand chez qui vous avez acheté votre laveuse ou consulter la section "Assistance ou service" de ce manuel. Demander la pièce n° 8572546.

Exigences d'emplacement

Le choix d'un emplacement approprié pour la laveuse en améliore le rendement et réduit au minimum le bruit et le "déplacement" possible de la laveuse.

La laveuse peut être installée sous un comptoir personnalisé, dans un sous-sol, une salle de buanderie, un placard ou un encastrement. Voir "Système de vidange".

Il faut aussi prendre en compte les exigences d'emplacement des appareils voisins. C'est à l'utilisateur qu'incombe la responsabilité de réaliser une installation correcte.

Il vous faudra

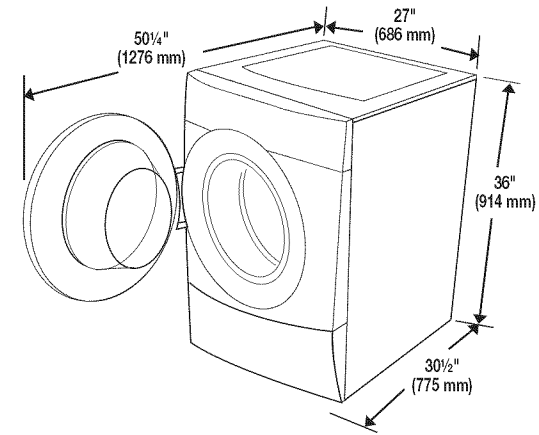
- Un chauffe-eau pour fournir de l'eau à 120°F (49°C) à la laveuse.
- Une prise électrique reliée à la terre située à moins de 6 pi (1,8 m) de la prise du cordon électrique se trouvant à l'arrière de la laveuse. Voir "Spécifications électriques".
- Des robinets d'eau chaude et d'eau froide situés à moins de 4 pi (1,2 m) des robinets d'admission d'eau chaude et d'eau froide, et une pression d'eau de 20-100 lb/po² (137,9-689,6 kPa).
- Un plancher de niveau ayant une pente maximale de 1" (25 mm) sous l'ensemble de la laveuse. L'installation de la laveuse sur des surfaces de sol molles, telles que tapis ou surfaces avec sous-couche en mousse n'est pas recommandée.
- Un plancher robuste et solide capable de soutenir le poids total de la laveuse (eau et charge) de 400 lb (180 kg).

Ne pas faire fonctionner la laveuse à des températures inférieures à 32°F (0°C). Une quantité d'eau peut demeurer dans la laveuse et causer des dommages à des températures basses. Voir "Entretien de la laveuse" pour des renseignements sur la préparation de la laveuse pour l'hiver.

Dégagements de séparation à respecter

- L'emplacement doit être assez grand pour permettre d'ouvrir complètement la porte de la laveuse.
- Prévoir davantage d'espace pour faciliter l'installation et l'entretien. La porte s'ouvre à plus de 90° et n'est pas réversible.
- Un espace supplémentaire peut être requis pour les moulures de porte et de plancher et pour les plinthes.
- Un espace supplémentaire de 1" (25 mm) de tous les côtés de la laveuse est recommandé pour réduire le transfert du bruit.
- Il faut aussi prendre en compte l'espace requis entre les appareils voisins.

Dimensions de la laveuse

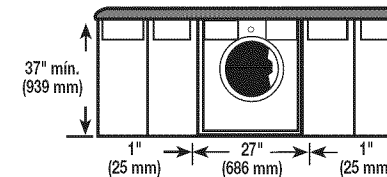


La porte n'est pas réversible.

Espacement recommandé pour une installation personnalisée sous un comptoir

Les dimensions indiquées sont pour l'espace recommandé.

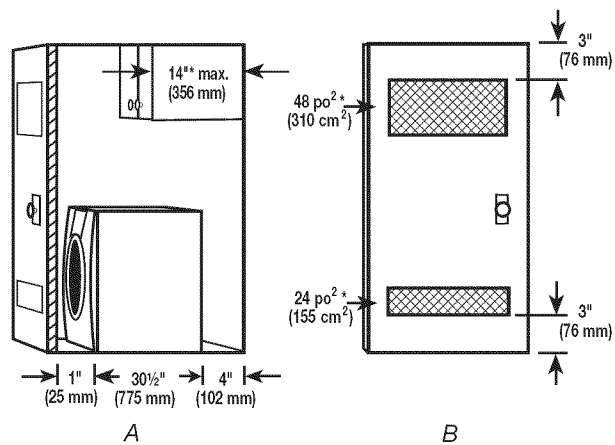
Installation personnalisée sous un comptoir - laveuse seulement



Espacement recommandé pour une installation dans un encastrement ou dans un placard, avec ou sans piédestal

Les dimensions indiquées sont pour l'espacement recommandé.

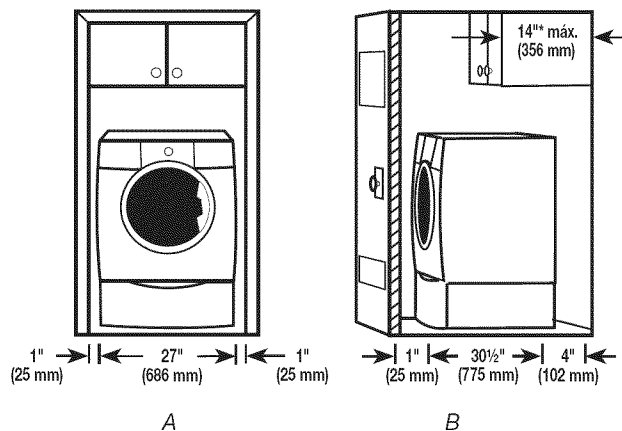
Installation dans un encastrement ou placard



A. Vue latérale - placard ou endroit exigu
B. Porte de placard avec orifices d'entrée d'air

*Ouvertures minimums en haut et en bas pour la porte du placard.

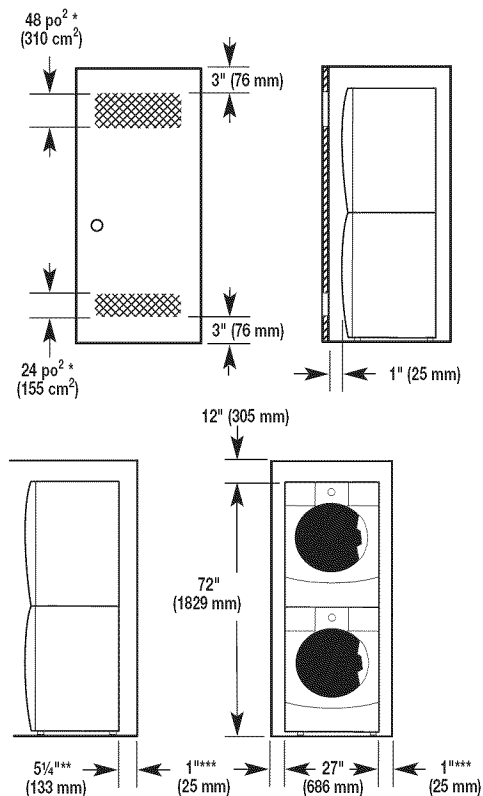
Installation dans un encastrement ou placard - laveuse sur piédestal



A. Encastrement
B. Vue latérale - placard ou endroit exigu

Espacement recommandé pour une installation dans un encastrement ou dans un placard, avec laveuse et sècheuse superposées

Les dimensions indiquées sont pour l'espacement recommandé.



*Ouvertures minimums en haut et en bas pour la porte du placard.

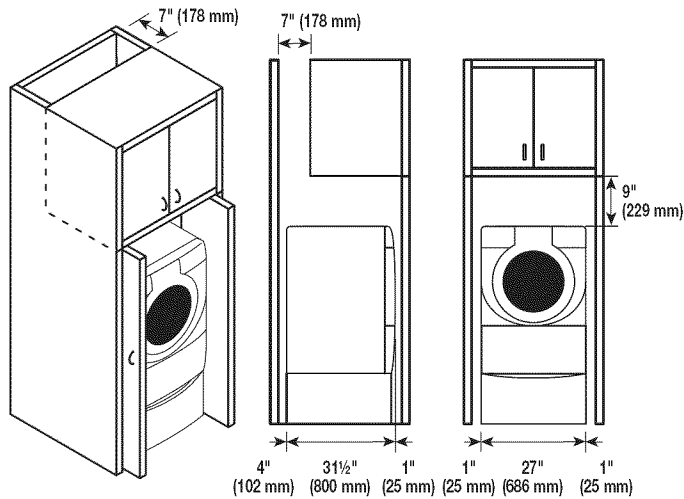
**Le coude d'évacuation externe nécessite davantage d'espace.

†Les moulures de porte et de plancher et les plinthes peuvent nécessiter un espace supplémentaire.

Espacement recommandé pour l'installation dans un placard

Les dimensions indiquées sont pour l'espacement recommandé.

Pour l'installation dans un placard avec porte, on doit prévoir des ouvertures minimums d'entrée d'air au sommet du placard.

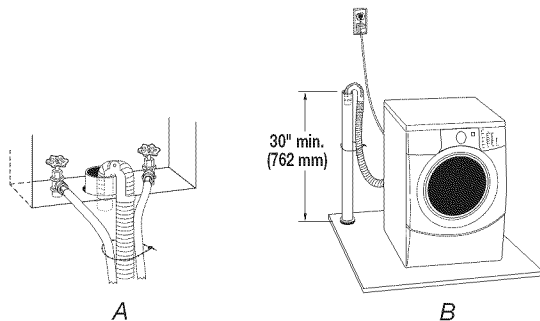


Système de vidange

La laveuse peut être installée en utilisant le système de rejet à l'égout (au plancher ou mural), le système de vidange de l'évier de buanderie, ou le système de vidange au plancher. Sélectionner la méthode d'installation du tuyau de vidange selon les besoins. Voir "Outillage et pièces".

Système de vidange avec tuyau de rejet à l'égout - mural ou au plancher (vues A et B)

Le système de rejet à l'égout nécessite un tuyau de diamètre minimum de 2" (50 mm). La capacité minimale d'acheminement ne doit pas être inférieure à 17 gal. (64 L) par minute. Le sommet du tuyau de rejet à l'égout doit être au moins à 30" (762 mm) de hauteur et au maximum à 96" (2,4 m) de la base de la laveuse.



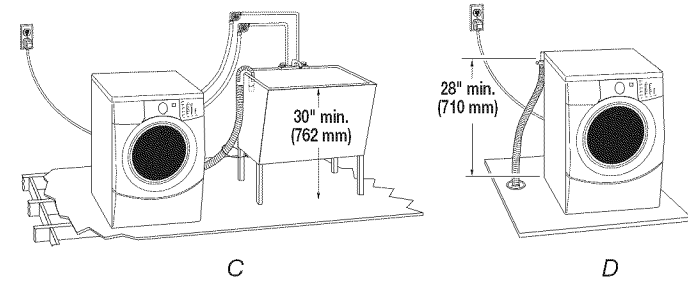
Système de vidange avec évier de buanderie (vue C)

L'évier de buanderie doit avoir une capacité minimale de 20 gal. (76 L). La partie supérieure de l'évier de buanderie doit être à au moins 30" (762 mm) au-dessus du plancher.

Système de vidange au plancher (vue D)

Le système de vidange au plancher nécessite un brise-siphon qui peut être acheté séparément. Voir "Outillage et pièces".

Le brise-siphon doit être au moins à 28" (710 mm) de la base de la laveuse. Des tuyaux supplémentaires peuvent être requis.



Spécifications électriques

⚠ AVERTISSEMENT



Risque de choc électrique

Brancher sur une prise à 3 alvéoles reliée à la terre.

Ne pas enlever la broche de liaison à la terre.

Ne pas utiliser un adaptateur.

Ne pas utiliser un câble de rallonge.

Le non-respect de ces instructions peut causer un décès, un incendie ou un choc électrique.

- Une alimentation de 120 volts, 60 Hz, CA seulement, de 15 ou 20 ampères, protégée par un fusible est requise. On recommande d'utiliser un fusible ou un disjoncteur temporisé. Il est recommandé de raccorder l'appareil sur un circuit distinct exclusif à cet appareil.
- Cette laveuse comporte un cordon d'alimentation électrique à trois broches pour liaison à la terre.

- Pour minimiser les risques de choc électrique, on doit brancher le cordon sur une prise de courant de configuration correspondante, à 3 alvéoles, reliée à la terre et installée conformément aux codes et règlements locaux. Si une prise de courant de configuration correspondante n'est pas disponible, le client a la responsabilité et l'obligation de faire installer par un électricien qualifié une prise de courant correctement reliée à la terre.
- Si les codes le permettent et si l'on utilise un conducteur distinct de liaison à la terre, il est recommandé qu'un électricien qualifié vérifie la qualité de la liaison à la terre.
- Ne pas utiliser une tuyauterie de gaz pour le raccordement à la terre.
- En cas de doute quant à la qualité de la liaison à la terre de la laveuse, consulter un électricien qualifié.
- Ne pas installer un fusible dans le conducteur neutre ou le conducteur de liaison à la terre.

INSTRUCTIONS DE LIAISON À LA TERRE

Pour une laveuse reliée à la terre et connectée par un cordon :

Cette laveuse doit être reliée à la terre. En cas d'anomalie de fonctionnement ou de panne, la liaison à la terre réduira le risque de choc électrique en offrant au courant électrique un itinéraire d'évacuation de moindre résistance. Cette laveuse est alimentée par un cordon électrique comportant un conducteur relié à la terre et une fiche de branchement munie d'une broche de liaison à la terre. La fiche doit être branchée sur une prise de courant appropriée qui est bien installée et reliée à la terre conformément à tous les codes et règlements locaux.

AVERTISSEMENT : Le raccordement incorrect de cet appareil au conducteur de liaison à la terre peut susciter un risque de choc électrique. En cas de doute quant à la qualité de la liaison à la terre de l'appareil, consulter un électricien ou technicien d'entretien qualifié.

Ne pas modifier la fiche de branchement fournie avec l'appareil – si la fiche ne correspond pas à la configuration de la prise de courant, demander à un électricien qualifié d'installer une prise de courant convenable.

Pour une laveuse raccordée en permanence :

Cette laveuse doit être raccordée à un système de câblage permanent en métal relié à la terre ou un conducteur relié à la terre doit être en fonction avec les conducteurs de circuit et raccordés à la borne de liaison à la terre ou la borne sur l'appareil ménager.

INSTRUCTIONS D'INSTALLATION

Élimination des accessoires de transport

⚠ AVERTISSEMENT

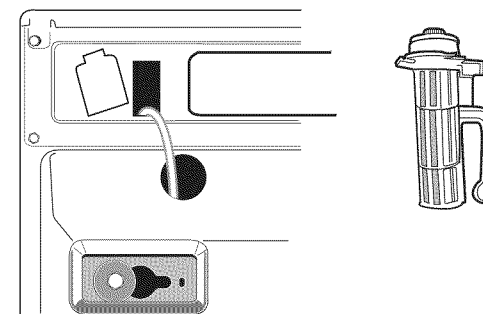
Risque du poids excessif

Utiliser deux ou plus de personnes pour déplacer et installer la laveuse.

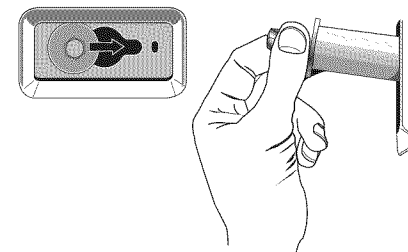
Le non-respect de cette instruction peut causer une blessure au dos ou d'autre blessure.

IMPORTANT : Positionner la laveuse de sorte que l'arrière de la laveuse soit à environ 3 pi (900 mm) de son emplacement final.

On trouve sur le panneau arrière de la laveuse 4 boulons bleus qui supportent le système de suspension durant le transport. Ces boulons retiennent aussi le cordon d'alimentation à l'intérieur de la laveuse jusqu'à ce que les boulons soient retirés.



1. Au moyen d'une clé de 13 mm, desserrer chacun des boulons.
2. Une fois le boulon desserré, le déplacer au centre du trou et retirer complètement le boulon, y compris la cale d'espacement en plastique couvrant le boulon.



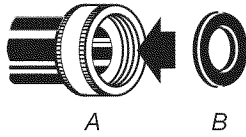
3. Une fois que les 4 boulons ont été retirés, jeter les boulons et les cales d'espacement. Puis tirer le cordon d'alimentation à travers l'ouverture du panneau arrière et obturer le trou avec le bouchon fourni.

4. Obturer les trous des boulons avec les 4 bouchons pour les trous des boulons de transport.

REMARQUE : Si la laveuse doit être transportée à une date ultérieure, appeler le centre de service local. Pour éviter des dommages concernant la suspension et la structure, votre appareil doit être correctement monté pour réinstallation ultérieure par un technicien certifié.

Raccordement des tuyaux d'alimentation

Insérer les rondelles plates neuves (fournies) dans chaque extrémité des tuyaux d'arrivée d'eau. Insérer fermement les rondelles dans les raccords.

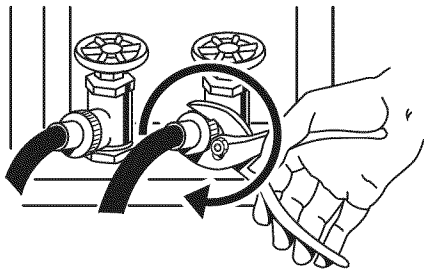


A. Raccord
B. Rondelle

Connecter les tuyaux d'alimentation aux robinets d'eau

S'assurer que le tambour de la laveuse est vide.

1. Fixer un tuyau au robinet d'eau chaude. Visser complètement le raccord à la main pour qu'il comprime le joint.
2. Fixer un tuyau au robinet d'eau froide. Visser complètement le raccord à la main pour qu'il comprime le joint.
3. À l'aide d'une pince, serrer les raccords en effectuant deux tiers de tour supplémentaires.

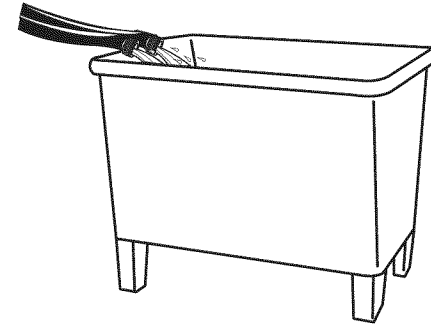


REMARQUE : Ne pas serrer excessivement ou utiliser du ruban adhésif ou un calfeutrant sur la valve. Les valves risquent d'être endommagées.

Purger les canalisations d'eau

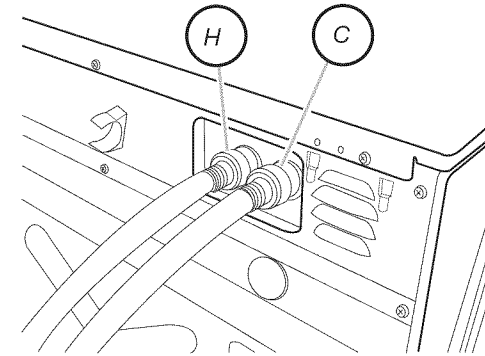
- Laisser s'écouler l'eau des deux robinets et des tuyaux d'alimentation, dans un évier de buanderie, un tuyau de rejet à l'égout ou un seau, pour éliminer les particules se trouvant dans les canalisations d'eau qui pourraient obstruer les tamis de la valve d'arrivée d'eau.

- Vérifier la température de l'eau pour s'assurer que le tuyau d'eau chaude est connecté au robinet d'eau chaude et que le tuyau d'eau froide est connecté au robinet d'eau froide.



Connecter les tuyaux d'alimentation à la laveuse

IMPORTANT : S'assurer que les rondelles plates ont été placées dans les raccords de tuyau.



H. Tuyau d'eau chaude
C. Tuyau d'eau froide

1. Fixer le tuyau d'eau chaude à la valve du tuyau d'alimentation d'eau chaude (H) de la laveuse. Visser complètement le raccord à la main pour qu'il comprime le joint.
 2. Fixer le tuyau d'eau froide au robinet d'eau froide (C) de la laveuse. Visser complètement le raccord à la main pour qu'il comprime le joint.
 3. À l'aide d'une pince, serrer les raccords en effectuant $\frac{2}{3}$ de tour supplémentaires.
- REMARQUE :** Ne pas serrer excessivement. Le raccord risque d'être endommagé.
4. Ouvrir les robinets d'eau complètement et vérifier s'il y a des fuites.

REMARQUE : Remplacer les tuyaux d'arrivée d'eau après 5 ans d'utilisation pour réduire le risque de défaillance intempestive. Prendre note de la date d'installation ou de remplacement des tuyaux d'arrivée d'eau, pour référence ultérieure.

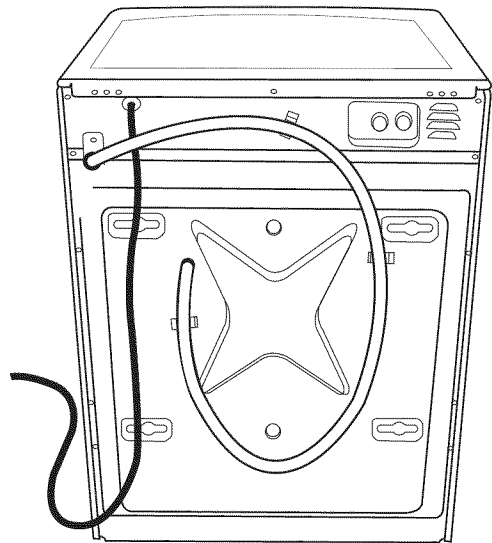
Inspecter périodiquement les tuyaux; les remplacer en cas de renflement, de déformation, de coupure, d'usure ou si une fuite se manifeste.

Acheminement du tuyau de vidange

Le bon acheminement du tuyau de vidange protège vos planchers contre les dommages imputables à une fuite d'eau. Lire et suivre ces instructions.

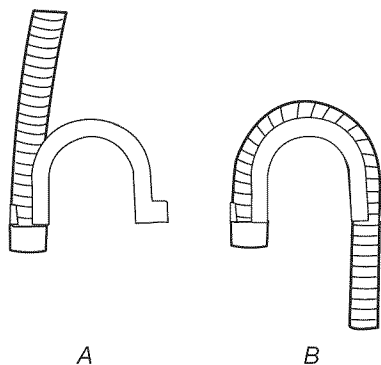
Retirer le tuyau de vidange de la laveuse

Tirer doucement pour dégager le tuyau d'évacuation (matériau ondulé) des agrafes d'arrimage.



Décharge de l'eau de lavage dans un évier de buanderie ou tuyau de rejet à l'égout

Connecter la bride de retenue pour tuyau de vidange sur le tuyau de vidange ondulé.



A. Emboîter une extrémité ou l'autre de la bride de retenue pour tuyau de vidange sur le tuyau de vidange, au point de commencement des ondulations.

B. Plier le tuyau de vidange pour le mettre au contact de la bride de retenue du tuyau de vidange, et emboîter l'autre extrémité de la bride sur le tuyau.

Pour empêcher l'eau de vidange de refluer dans la laveuse :

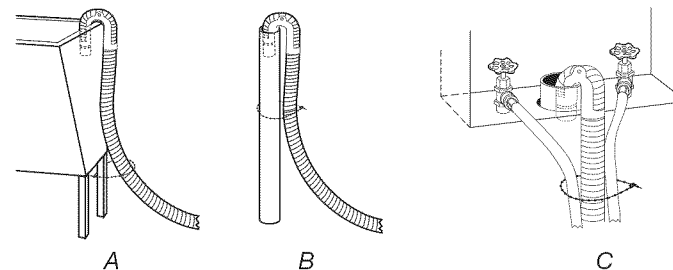
- Ne pas redresser le tuyau de vidange ni forcer l'excédent de tuyau dans le tuyau de rejet à l'égout. Le tuyau doit être bien immobilisé, tout en permettant le passage d'air.
- Ne pas mettre l'excédent du tuyau de vidange dans l'évier de buanderie.

Égout au plancher

Il vous faudra peut-être des pièces supplémentaires. Voir Égout au plancher dans "Outillage et pièces".

Immobilisation du tuyau de vidange

1. Faire passer le cordon d'alimentation par-dessus la laveuse.
2. Déplacer la laveuse à son emplacement final.
3. Placer le tuyau de vidange dans l'évier de buanderie ou le tuyau de rejet à l'égout - voir l'illustration. Voir les illustrations A et B.



4. Si les robinets d'eau et le tuyau rigide de rejet à l'égout sont placés en retrait, introduire l'extrémité en crochet du tuyau de vidange dans le tuyau rigide de rejet à l'égout. Voir l'illustration C.

REMARQUES :

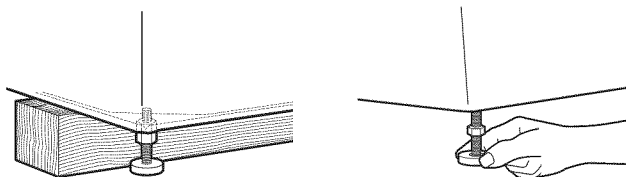
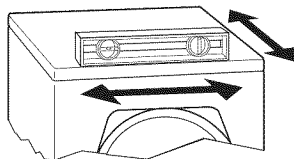
- Ne pas forcer l'excédent de tuyau de vidange dans l'arrière de la laveuse.
- Pour éviter un effet de siphon, ne pas assurer l'étanchéité ni enfiler plus de 4 1/2" (114 mm) de tuyau de vidange dans le tuyau de rejet à l'égout.

Réglage de l'aplomb de la laveuse

Un bon aplomb de la laveuse évite le bruit et les vibrations excessifs.

REMARQUE : Il n'est pas recommandé d'installer la laveuse sur un plancher à surface souple, telle que la moquette ou une surface avec sous-couche en mousse.

1. Faire glisser la laveuse à son emplacement final.
2. S'assurer que les quatre pieds sont bien en contact avec le plancher.
3. Utiliser un niveau placé sur le bord supérieur de la laveuse pour contrôler l'aplomb, d'abord transversalement, puis dans le sens avant arrière.



Si la laveuse est placée contre un mur, on doit l'écartier légèrement du mur avant de l'incliner vers l'arrière. Si la laveuse n'est pas d'aplomb, soulever d'abord l'avant à l'aide d'un bloc de bois et régler la hauteur des pieds avant en déplaçant la pièce en plastique hexagonale si nécessaire. Répéter pour le réglage des pieds arrière.

4. Vérifier que les quatre pieds sont stables et reposent sur le plancher. Vérifier ensuite que la laveuse est parfaitement d'aplomb (utiliser un niveau). Répéter les étapes 1 à 3 jusqu'à ce que la laveuse soit d'aplomb.
5. Après que l'aplomb de la laveuse a été établi et que les quatre pieds sont bien en contact avec le plancher, tourner les écrous de blocage sur les pieds à l'aide d'une clé à molette de $\frac{9}{16}$ " (14 mm) jusqu'à ce qu'ils soient bien serrés contre la caisse de la laveuse.
IMPORTANT : Les quatre pieds doivent être bien serrés. Si les écrous de blocage ne sont pas bien serrés contre la caisse de la laveuse, la laveuse peut vibrer.
6. La laveuse ne doit pas bouger d'avant en arrière, latéralement ou transversalement lorsqu'on appuie sur les bords supérieurs.
7. Vérifier le bon aplomb de la laveuse.

Achever l'installation

1. Consulter les spécifications électriques. Vérifier que la tension électrique disponible est correcte et que la prise de courant est convenablement reliée à la terre. Voir "Spécifications électriques".
2. Vérifier que toutes les pièces sont maintenant installées. S'il reste une pièce, passer en revue les différentes étapes pour découvrir laquelle aurait été oubliée.
3. S'assurer d'avoir récupéré tous vos outils.
4. Jeter ou recycler tous les matériaux d'emballage.

5. Vérifier que chaque robinet d'arrivée d'eau est ouvert.
6. Vérifier s'il y a des fuites autour des robinets et des tuyaux d'arrivée d'eau.

⚠ AVERTISSEMENT



Risque de choc électrique

Brancher sur une prise à 3 alvéoles reliée à la terre.

Ne pas enlever la broche de liaison à la terre.

Ne pas utiliser un adaptateur.

Ne pas utiliser un câble de rallonge.

Le non-respect de ces instructions peut causer un décès, un incendie ou un choc électrique.

7. Brancher sur une prise à 3 alvéoles reliée à la terre.
8. Lire "Utilisation de la laveuse".
9. Pour tester le fonctionnement de la machine et la nettoyer, mesurer la moitié de la quantité de détergent HE Haute Efficacité recommandée par le fabricant pour une charge de taille moyenne. Verser le détergent dans le distributeur. Sélectionner NORMAL, puis START (mise en marche). Laisser la laveuse exécuter le programme complet sans interruption.



Utiliser uniquement un détergent HE Haute efficacité.

CARACTÉRISTIQUES ET AVANTAGES

Votre nouvelle laveuse haute efficacité à chargement frontal a été conçue pour préserver les ressources et diminuer vos factures d'eau et d'énergie. La laveuse est conçue pour déterminer puis fournir la quantité d'eau nécessaire à une performance optimale. Avec ce nouveau système, la durée de fonctionnement peut être supérieure à celle d'une laveuse conventionnelle.

Commandes électroniques

Les commandes électroniques flexibles sont faciles à utiliser, que vous soyez un débutant ou un expert.

Niveau d'eau automatique

En s'ajustant au volume de la charge, cette caractéristique permet à la laveuse d'utiliser la quantité d'eau minimum nécessaire au nettoyage et au rinçage des vêtements. Un faible niveau d'eau vous permet d'obtenir les mêmes résultats avec de plus petites quantités de produits. Étant donné que seule la quantité nécessaire d'eau est utilisée, la laveuse vous fait aussi économiser de l'énergie. Vous pouvez obtenir les mêmes résultats de lavage pour les petites charges et les charges dont le volume est plus important.

Volume de charge plus important

L'absence d'agitateur permet de laver des articles plus grands et plus encombrants tels qu'un sac de couchage de taille moyenne. Vous pouvez aussi laver davantage de vêtements à la fois, ce qui signifie moins de charges. Vous pouvez laver un oreiller ou un gros ours en peluche.

Système de suspension

Pour réduire le "déplacement" ou le "déséquilibre" de la laveuse, celle-ci combine :

- 2 ressorts pour isoler les vibrations
- 4 amortisseurs à la base de la laveuse pour minimiser le mouvement

Tambour en acier inoxydable

Le tambour en acier inoxydable élimine la corrosion et permet des vitesses d'essorage plus élevées pour une meilleure extraction de l'eau et une réduction de la durée de séchage.

Moteur adaptatif à vitesse variable

Le moteur s'adapte au volume de la charge et au programme sélectionné pour délivrer les meilleures conditions de nettoyage, de rinçage et d'essorage. Le moteur peut gérer les vitesses lentes nécessaires pour les articles délicats et est assez puissant pour amener une charge moyenne de vêtements à une vitesse d'essorage élevée.

Vitesses d'essorage

Cette laveuse sélectionne automatiquement la vitesse d'essorage en fonction du programme sélectionné. Ce réglage effectué à l'usine peut toutefois être modifié. Cette laveuse offre jusqu'à trois choix de vitesses d'essorage différentes.

Optimiseur thermique

Le système de chauffage garantit que l'eau de lavage est chauffée à la température préréglée pour les programmes Super Wash (super lavage), Whites (blancs) et Sanitary (sanitaire). Il procure également un nettoyage par étapes avec le programme Sanitary (sanitaire). Le nettoyage par étapes débute le programme de lavage avec de l'eau tiède pour éliminer les taches (de sang ou d'herbe par exemple). Le programme Sanitary aide également à éliminer à 99,9 % les trois bactéries infectieuses les plus communes (K. pneumonia, P. aureginosa et S. aureus). Seul le programme Sanitary a été conçu pour satisfaire les normes du protocole NSF P172 concernant l'efficacité d'assainissement.



Certifié pour aseptiser

Add A Garment (ajouter un vêtement)

Cette option est disponible avec tous les programmes de lavage sauf Rinse & Spin (rinçage et essorage), Spin Only (essorage seulement) et Clean Washer (nettoyage de la laveuse). Lorsque cette option est disponible au début du programme, le témoin lumineux de l'état de l'élément "Ajouter un vêtement" s'allume pendant les 7 premières minutes. Cette laveuse octroie une période de 7 minutes pendant laquelle d'autres vêtements peuvent être ajoutés à la charge.

Équilibre dynamique

Un système d'équilibrage de précision qui permet à la laveuse d'atteindre des vitesses d'essorage élevées. La laveuse essore plus vite pour que les vêtements sortant de la laveuse soient moins humides qu'avec les machines traditionnelles à chargement par le dessus. De plus, si le système d'équilibre dynamique détecte des charges déséquilibrées durant l'essorage, il redistribue les vêtements de façon à ce qu'ils soient répartis uniformément.

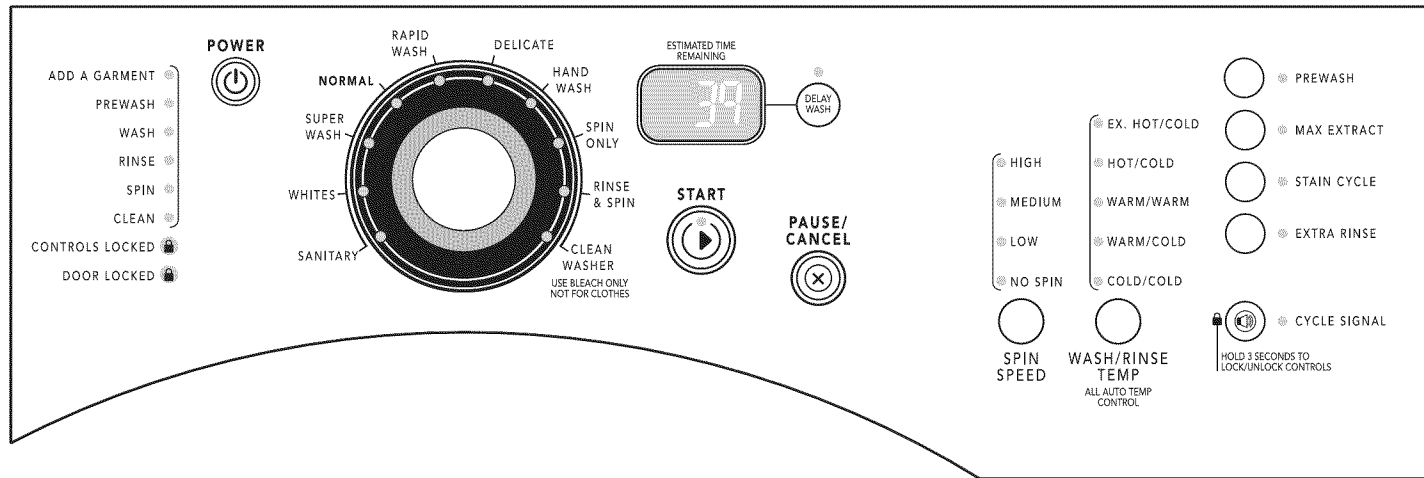
Système supérieur de distribution de détergent

Les trois compartiments du distributeur permettent le chargement de tous les produits de lessive avant la mise en marche de la laveuse. Les produits seront distribués dans la laveuse au moment opportun pour un nettoyage performant. Le système de libération de l'agent de blanchiment est inclus dans le système supérieur de distribution de détergent. Le détergent est ajouté au début du programme et l'agent de blanchiment est ajouté une fois que les enzymes ont pu effectuer leur nettoyage. L'assouplissant de tissu sera distribué lors du programme de rinçage ou du rinçage supplémentaire (EXTRA RINSE), le cas échéant. Le plateau du système supérieur de distribution de détergent peut être retiré facilement pour le nettoyage.



Utiliser uniquement un détergent HE Haute efficacité.

UTILISATION DE LA LAVEUSE



REMARQUE : Le tableau de commande de votre modèle peut différer de celui illustré ci-dessus.

Mise en marche de la laveuse

AVERTISSEMENT



Risque d'incendie

Ne jamais mettre des articles humectés d'essence ou d'autres fluides inflammables dans la laveuse.

Aucune laveuse ne peut complètement enlever l'huile.

Ne pas faire sécher des articles qui ont été salis par tout genre d'huile (y compris les huiles de cuisson).

Le non-respect de ces instructions peut causer un décès, une explosion ou un incendie.

AVERTISSEMENT : Pour réduire le risque d'incendie, de choc électrique ou de blessures corporelles, lire les INSTRUCTIONS IMPORTANTES DE SÉCURITÉ avant de faire fonctionner cet appareil.

Le texte suivant est un guide pour l'utilisation de la laveuse. Se référer aux sections spécifiques de ce manuel pour obtenir des renseignements plus détaillés.

Ne pas remiser des produits de lessive sur le dessus de cette laveuse. La vibration est normale durant le fonctionnement.

Utilisation du détergent approprié

Utiliser uniquement des détergents Haute efficacité. Pour ce type de détergent, "HE" ou "Haute efficacité" sera mentionné sur l'emballage. Ce système de lavage, utilisant moins d'eau, provoquera trop de mousse avec un détergent ordinaire non-HE. L'utilisation d'un détergent ordinaire est susceptible d'occasionner des erreurs de la part de la laveuse, des durées de programmes plus longues et une performance de rinçage réduite. Ceci peut aussi entraîner des défaillances des composants et une moisissure perceptible. Les détergents HE sont conçus pour produire la quantité de mousse adéquate pour le meilleur rendement. Suivre les recommandations du fabricant pour déterminer la quantité de détergent à utiliser. N'oubliez pas que les détergents concentrés (par exemple 2 x ou plus) utiliseront moins de détergent selon la taille de la charge.



Utiliser uniquement un détergent HE Haute efficacité.

Premier programme de lavage sans linge à laver

Avant de laver les vêtements pour la première fois, choisir un programme Normal (normal) et l'exécuter sans linge (si cela n'a pas déjà été fait au cours de l'étape d'installation finale). Utiliser uniquement un détergent HE Haute efficacité. Utiliser la moitié de la quantité recommandée par le fabricant pour une charge de taille moyenne. Ce programme préalable sert à garantir que l'intérieur est propre avant de laver des vêtements.

Pour tous les programmes de lavage

1. Pour charger la laveuse

Ouvrir la porte de la laveuse en tirant sur la poignée. Trier le linge d'après la couleur et le type de tissu. Placer une charge de linge trié dans la laveuse. Ne pas surcharger la laveuse. Une surcharge peut causer un nettoyage médiocre.

- La laveuse peut être bien remplie mais le linge ne doit pas être tassé. La porte de la laveuse doit fermer facilement.
- Mélanger les gros et les petits articles. Éviter de laver un article seul. Charger la laveuse uniformément.
- Laver les petits articles tels que les chaussettes d'enfants dans un sac en filet pour le linge. Il est recommandé d'utiliser plus d'un sac pour le linge et de remplir chaque sac avec des quantités similaires.
- Lorsqu'on retire le linge, vérifier de temps en temps sous le joint/soufflet de couleur grise à l'avant de la cuve qu'il n'y ait pas de petits articles coincés.

2. Fermer la porte de la laveuse en la poussant fermement jusqu'à ce que le verrou s'enclenche. La porte de la laveuse demeurera verrouillée durant le programme de lavage.

REMARQUE : La porte peut être ouverte seulement si PAUSE/CANCEL (pause/annulation) a été sélectionné alors que le témoin ADD A GARMENT (ajouter un vêtement) était allumé ou si le programme a été annulé. Voir "Pour annuler un programme" dans la section "Changement des programmes, options et modificateurs".

3. Ouvrir le tiroir distributeur et verser les produits de lessive dans les compartiments de détergent, d'agent de blanchiment ou d'assouplissant de tissu. Fermer le tiroir lentement pour éviter les renversements. Voir "Utilisation du distributeur".

REMARQUE : Utiliser uniquement des détergents HE Haute efficacité.

4. Mettre la laveuse en marche en sélectionnant POWER (alimentation). Sélectionner un des programmes en tournant le sélecteur de programme. Le témoin lumineux correspondant au programme sélectionné s'allumera. Lors de la sélection d'un programme de lavage, les pré-réglages des modificateurs, options, température de l'eau et vitesse d'essorage pour le programme sélectionné seront allumés. Les pré-réglages procurent les soins aux tissus recommandés pour le programme sélectionné. Voir "Programmes".
5. Sélectionner les OPTIONS désirées telles que Prewash (pré-lavage), MAX EXTRACT™, Stain Cycle (programme contre les taches) ou Extra Rinse (rinçage supplémentaire). Toutes les options ne sont pas disponibles avec tous les programmes. Voir "Options".
6. Sélectionner les MODIFICATEURS désirés, tels que Spin Speed (vitesse d'essorage) et Wash/Rinse Temp (température de lavage/rinçage). Tous les modificateurs ne sont pas disponibles avec tous les programmes et toutes les options. Voir "Modificateurs".
7. Si désiré, sélectionner le CYCLE SIGNAL (signal de programme). Le signal est utile lorsque vous lavez des articles qui doivent être enlevés de la laveuse aussitôt qu'elle s'arrête. Appuyer une fois sur CYCLE SIGNAL (signal de programme) pour l'activer. Le témoin lumineux s'allumera. Appuyer à nouveau pour le désactiver.
8. **Pour commencer le programme de lavage immédiatement**
Sélectionner START (pendant 1 seconde environ).
- Si vous n'appuyez pas sur START (mise en marche) dans les 5 minutes qui suivent le choix d'un programme, la laveuse s'éteint automatiquement.

- Lorsque le programme de lavage est terminé, le témoin CLEAN (propre) s'allume, la porte se déverrouille et la charge peut être retirée de la laveuse. La laveuse s'éteint automatiquement 5 minutes après la fin du programme et le témoin Clean (propre) reste allumé jusqu'à ce que la porte soit ouverte ou que PAUSE/ CANCEL (pause/annulation) soit sélectionné. Pour éteindre manuellement la laveuse après la fin d'un programme de lavage, sélectionner une fois PAUSE/CANCEL (pause/annulation).

9. Pour commencer le programme de lavage ultérieurement

Sélectionner DELAY WASH (lavage différé) jusqu'à ce que la durée souhaitée (en heures) apparaisse sur l'afficheur de la durée résiduelle estimée. Sélectionner START (mise en marche). La fenêtre d'affichage indique le compte à rebours jusqu'au programme de lavage.

IMPORTANT : En cas de mise en marche différée d'un programme, utiliser seulement des détergents en poudre dans le compartiment de lavage principal car les détergents liquides risquent de suinter hors du compartiment avant le début du programme de lavage.

Utilisation du distributeur

Votre nouvelle laveuse comporte un tiroir distributeur avec trois compartiments séparés pour les produits de lessive - un pour le détergent, un pour l'agent de blanchiment liquide et un pour l'assouplissant de tissu liquide. Les produits de lessive sont dilués et distribués automatiquement au moment approprié durant le programme de lavage, ce qui évite à l'utilisateur de retourner à la laveuse durant le programme pour ajouter ces produits.

Il est normal que de petites quantités d'eau demeurent dans les distributeurs lorsque le programme de lavage est achevé.

Ne pas placer les produits de lessive directement dans la cuve de lavage. Toujours utiliser les distributeurs appropriés lors de l'ajout des produits de lessive.

Choix du détergent approprié

Utiliser uniquement des détergents Haute efficacité. Pour ce type de détergent, "HE" ou "Haute efficacité" sera mentionné sur l'emballage. Ce système de lavage, utilisant moins d'eau, provoquera trop de mousse avec un détergent ordinaire non-HE. L'utilisation d'un détergent ordinaire est susceptible d'occasionner des erreurs de la part de la laveuse, des durées de programmes plus longues et une performance de rinçage réduite. Ceci peut aussi entraîner des défaillances des composants et une moisissure perceptible. Les détergents HE sont conçus pour produire la quantité de mousse adéquate pour le meilleur rendement. Suivre les recommandations du fabricant pour déterminer la quantité de détergent à utiliser. N'oubliez pas que les détergents concentrés (par exemple 2 x ou plus) utiliseront moins de détergent selon la taille de la charge.

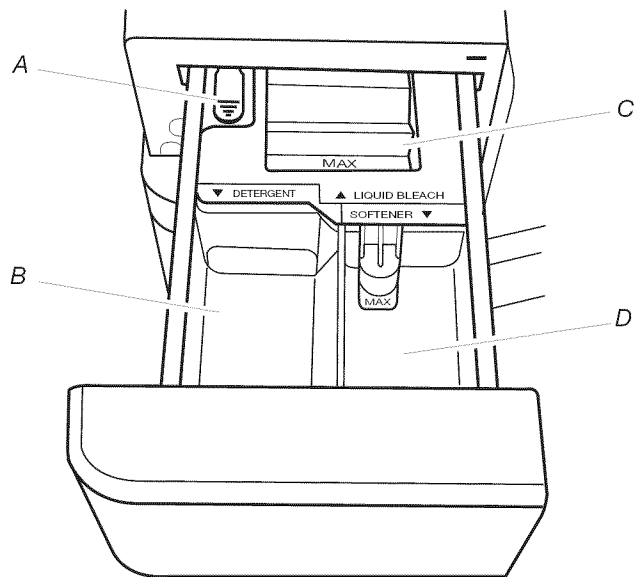


Utiliser uniquement un détergent HE Haute efficacité.

Pour remplir les compartiments du distributeur

1. Tirer le tiroir distributeur.
2. Ajouter le produit de lessive désiré dans le compartiment approprié.

- Enfoncer le tiroir distributeur lentement et complètement (pour éviter les renversements).



Distributeur

- A. Levier de dégagement du distributeur
 B. Compartiment pour détergent du lavage principal
 C. Compartiment pour agent de blanchiment liquide
 D. Compartiment pour assouplissant de tissu

Compartiment pour détergent du lavage principal

(Lettre B dans l'illustration du distributeur)

Verser le détergent HE liquide ou en poudre dans ce compartiment pour le programme de lavage principal.

- L'agent de blanchiment en poudre sans danger pour les couleurs peut être ajouté au compartiment du lavage principal avec le détergent en poudre.
- Utiliser le dispositif de mesure fourni avec le détergent. Ne pas verser davantage que la quantité recommandée par le fabricant.

REMARQUE : Un remplissage excessif pourrait causer un excès de mousse.

Compartiment de l'agent de blanchiment

(Lettre C dans l'illustration du distributeur)

Ne pas verser PLUS de $\frac{2}{3}$ de tasse (160 mL) d'agent de blanchiment liquide dans ce compartiment. L'agent de blanchiment sera automatiquement dilué et distribué au moment approprié au cours du premier rinçage après le programme de lavage. Ce compartiment ne peut diluer un agent de blanchiment en poudre.

- Utiliser seulement un agent de blanchiment liquide dans ce distributeur. Ne pas utiliser ce distributeur pour ajouter un agent de blanchiment en poudre ou tout agent de blanchiment sans danger pour les couleurs à votre charge de lavage.
- Toujours mesurer l'agent de blanchiment liquide. Utiliser une tasse à mesurer avec un bec verseur; ne pas utiliser une quantité approximative. Suivre les instructions du fabricant pour une utilisation en toute sécurité.

- Ne pas remplir au-delà du niveau "MAX".

REMARQUE : Un remplissage excessif pourrait causer des dommages aux vêtements.

Compartiment pour assouplissant de tissu

(Lettre D dans l'illustration du distributeur)

- Ajouter $\frac{1}{4}$ de tasse (60 mL) d'assouplissant de tissu liquide dans ce compartiment. L'assouplissant de tissu sera automatiquement distribué lors du rinçage final ou du rinçage supplémentaire, le cas échéant.
- Ne pas remplir au-delà du niveau "MAX".

Pause et remise en marche

- Pour faire faire une pause à la laveuse à tout moment, sélectionner PAUSE/CANCEL (pause/annulation).
- Pour poursuivre le programme, sélectionner START (pendant environ 1 seconde).

Changement des programmes, options et modificateurs

Toutes les options et tous les modificateurs ne sont pas disponibles avec tous les programmes.

Les programmes, options et modificateurs peuvent être changés à tout moment tant que START (mise en marche) n'a pas été sélectionné.

Pour arrêter un programme et en sélectionner un autre

- Sélectionner deux fois PAUSE/CANCEL (pause/annulation).
- Sélectionner POWER (alimentation).
- Sélectionner le programme désiré.
- Sélectionner les OPTIONS désirées, telles que Prewash (prélavage), MAX EXTRACT™, Stain Cycle (programme contre les taches) ou Extra Rinse (rinçage supplémentaire).
- Sélectionner les MODIFICATEURS désirés, tels que Spin Speed (vitesse d'essorage) ou Wash/Rinse Temp (température de lavage/rinçage).
- Sélectionner START (pendant environ 1 seconde) pour remettre la laveuse en marche au début du nouveau programme.

Pour annuler un programme

- Sélectionner deux fois PAUSE/CANCEL (pause/annulation).
- La laveuse s'éteint, la porte se déverrouille et les vêtements peuvent être retirés.

REMARQUE : Si le niveau d'eau ou la température est trop élevé(e), la laveuse effectuera automatiquement un vidange avant le déverrouillage de la porte.

Pour changer les options ou les modificateurs lorsque le programme a commencé

- Sélectionner PAUSE/CANCEL (pause/annulation).
- Sélectionner les Spin Speed (vitesse d'essorage), Wash/Rinse Temp (température de lavage/rinçage) ou OPTIONS désirées (telles que Prewash [prélavage], MAX EXTRACT™, Stain Cycle [programme contre les taches] ou Extra Rinse [rinçage supplémentaire]). Si le modificateur ou l'option n'est pas disponible, la machine émet un bip.

- Appuyer sur la touche START (pendant environ 1 seconde) pour poursuivre le programme.

Pour vidanger la laveuse manuellement

- Sélectionner PAUSE/CANCEL (pause/annulation).
- Sélectionner SPIN Only (essorage seulement).
- Sélectionner START (pendant environ 1 seconde) pour commencer la vidange.
- Lorsque l'essorage est terminé, la porte se déverrouille. Les articles peuvent être retirés de la laveuse.

Témoins lumineux

Ces témoins lumineux indiquent quelle portion du programme la laveuse est en train d'effectuer. Ils peuvent aussi indiquer à quel moment vous pouvez ajouter un article additionnel et à quel moment les commandes sont verrouillées.



Ajout d'articles

Vous pouvez ajouter des articles dans la laveuse lorsque le programme de lavage a commencé si le témoin lumineux ADD A GARMENT (ajouter un vêtement) est allumé. Tous les programmes comportent cette caractéristique sauf Rinse & Spin (rinçage/essorage), Spin Only (essorage seulement) et Clean Washer (nettoyage de la laveuse).

Pour ajouter des articles

- Sélectionner PAUSE/CANCEL (pause/annulation). La porte de la laveuse se déverrouille et les articles peuvent être ajoutés.
- Pour poursuivre le programme, fermer la porte et sélectionner START (pendant environ 1 seconde).

REMARQUE : Pour ajouter des articles une fois que la période ADD A GARMENT est terminée, il est nécessaire d'annuler le programme de lavage, d'ajouter les articles et de commencer un nouveau programme de lavage.

Clean (propre)

Le témoin Clean (propre) s'allume lorsque le programme est terminé. Le témoin reste allumé jusqu'à ce que la porte soit ouverte ou que PAUSE/CANCEL (pause/annulation) soit sélectionné.

Verrouillage des commandes

La fonction Control Lock (verrouillage des commandes) empêche l'utilisation involontaire de la laveuse. Vous pouvez aussi utiliser la caractéristique de verrouillage des commandes pour empêcher des changements involontaires de programme ou d'option durant un programme. Lorsque CONTROLS LOCKED (commandes verrouillées) est allumé, tous les boutons sont désactivés à l'exception de PAUSE/CANCEL (pause/annulation) et POWER (alimentation). Vous pouvez verrouiller les commandes alors que la laveuse est en marche.

Pour verrouiller les commandes

Sélectionner CYCLE SIGNAL (signal de programme) pendant 3 secondes.



Le témoin lumineux CONTROLS LOCKED (commandes verrouillées) s'allume.

Pour déverrouiller les commandes

Sélectionner CYCLE SIGNAL (signal de programme) pendant 3 secondes jusqu'à ce que le témoin lumineux CONTROLS LOCKED (commandes verrouillées) s'éteigne.

Durée résiduelle estimée

Les durées de programme varient automatiquement en fonction de la pression de l'eau, de la température de l'eau, du détergent et de la charge de vêtements. La durée du programme sera prolongée en cas de mousse excessive ou de déséquilibre de la charge. La procédure en cas de mousse savonneuse élimine l'excès de mousse et assure un rinçage correct de vos vêtements. Lors de la procédure en cas de déséquilibre, la durée affichée peut comporter une pause jusqu'à ce que cette activité soit terminée, puis reprendre le reste du programme. Les options que vous sélectionnez affecteront également les durées de programme qui sont indiquées dans le tableau des Préréglages de programmes. La durée résiduelle estimée peut changer jusqu'à 30 minutes dans des conditions extrêmes. Si une petite charge de vêtements est lavée, l'affichage de la durée résiduelle estimée indiquera 3 minutes ou plus, mais le programme prendra fin immédiatement. Si une charge importante est lavée, l'affichage de la durée résiduelle estimée indiquera 1 minute, mais le programme prendra fin au bout de 5 minutes.

Door Locked (porte verrouillée)

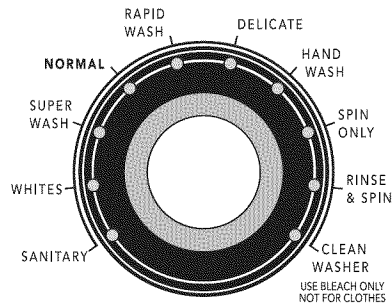
Lorsque le témoin lumineux s'allume, la porte est verrouillée.

Programmes

Programmes de lavage

Choisir le programme de lavage en tournant le bouton de sélection de programme au programme désiré. Le témoin lumineux correspondant au programme sélectionné s'allumera. Chaque programme est conçu pour différents types de tissu et niveaux de saleté.

REMARQUE : La commande de sélection de programme de votre modèle peut différer de celle illustrée ci-dessous.



- Chaque programme comporte une durée de programme, une température de lavage/rinçage et une vitesse d'essorage pré-réglées et peut comporter des options pré-établies. Les pré-réglages procurent les soins aux tissus recommandés pour le programme sélectionné.
- Les pré-réglages peuvent être modifiés à tout moment tant que START (mise en marche) n'a pas été sélectionné. Toutes les options et tous les modificateurs ne sont pas disponibles avec tous les programmes. Pour modifier les réglages après le début d'un programme, sélectionner PAUSE/CANCEL (pause/annulation) puis sélectionner les réglages désirés. Appuyer sur la touche START (mise en marche) [pendant environ 1 seconde] pour poursuivre le programme.

Pré-réglages de programme

Chaque programme comporte une durée de programme, une température de l'eau et une vitesse d'essorage pré-réglées. Les pré-réglages procurent les soins aux tissus recommandés pour le programme sélectionné. Voir le tableau.

Programme	Durée estimée* (hr:min)	Température de lavage/rinçage	Vitesse d'essorage
Sanitary (sanitaire)	3H	Extra Hot (très chaude)	High (élevée)
Whites (blancs)	1:30 - 2H	Hot (chaude)	High (élevée)
Super Wash (super lavage)	1:30	Hot (chaude)	High (élevée)
Normal (normal)	:56	Warm (tiède)	High (élevée)
Rapid Wash (lavage rapide) (2-3 articles)	:30	Warm (tiède)	High (élevée)

Programme	Durée estimée* (hr:min)	Température de lavage/rinçage	Vitesse d'essorage
Delicate (articles délicats)	:34	Cold (froide)	Low (basse)
Handwash (lavage à la main)	:37	Cold (froide)	Low (basse)
Spin Only (essorage seulement)	:14	N/A	High (élevée)
Rinse & Spin (rinçage et essorage)	:26	Cold (froide)	High (élevée)
Clean Washer (nettoyage de la laveuse)	:56	N/A	High (élevée)

*Les durées de programme varient automatiquement en fonction de la pression et de la température de l'eau, du détergent et de la charge de linge. La durée du programme sera prolongée en cas d'excès de mousse ou si la charge est déséquilibrée.

Sanitary (sanitaire)

Utiliser ce programme pour nettoyer les tissus grand teint très sales. Ce programme combine une température d'eau très chaude et un culbutage à vitesse rapide pour aider à assurer l'élimination des saletés intenses et des taches. Il est recommandé de régler votre chauffe-eau à 120°F (49°C) pour assurer un rendement approprié durant ce programme. Seuls les programmes avec la température de lavage avec assainissement sélectionnée ont été conçus pour répondre aux spécifications du protocole NSF P172 concernant l'efficacité d'assainissement.



Certifié pour aseptiser

Whites (blancs)

Ce programme est spécialement conçu pour le nettoyage de charges de linge blanc sale avec ajout d'agent de blanchiment. Les températures de lavage élevées assurent un fonctionnement optimal de l'agent de blanchiment. Un rinçage additionnel fournit une performance de rinçage optimale pour éviter les résidus de chlore sur votre lessive. Ce programme combine un culbutage à vitesse rapide, une durée de lavage prolongée et un essorage à vitesse élevée pour réduire la durée de séchage.

Super Wash (super lavage)

Utiliser ce programme pour laver des charges de vêtements robustes, aux couleurs grand teint et très sales. Ce programme combine un culbutage à vitesse rapide, une durée de lavage prolongée et un essorage à vitesse élevée pour réduire les durées de séchage.

Normal (normal)

Utiliser ce programme pour laver des charges de tissus qui ne se repassent pas tels que chemises de sport, chemisiers, vêtements de travail tout-aller, mélanges à pressage permanent, coton et linge de maison et tissus synthétiques. Ce programme combine un culbutage à vitesse moyenne, un essorage à vitesse élevée et un processus de refroidissement de la charge pour réduire le froissement.

Rapid Wash (lavage rapide)

Utiliser ce programme pour laver des petites charges d'articles légèrement sales dont on a besoin rapidement. Ce programme combine un culbutage à vitesse rapide, une durée de lavage plus courte et un essorage à vitesse très élevée pour réduire la durée de séchage. Les grandes charges prolongent la durée de lavage.

Delicate (articles délicats)

Utiliser ce programme pour nettoyer la soie et les vêtements ultra-délicats. (Consulter les consignes de l'étiquette pour s'assurer que le vêtement est lavable.) Ce programme culbute et vidange délicatement sans essorer afin de laver en douceur les vêtements et réduire les faux plis. Les vêtements seront davantage mouillés du fait de la faible vitesse d'essorage à la fin du programme.

- Utiliser des sacs en filet pour laver les sous-vêtements tels que les soutiens-gorge à armature, les articles avec ficelles et les articles de petite taille tels que les chaussettes.

Handwash (lavage à la main)

Utiliser ce programme pour nettoyer les lainages et les vêtements nécessitant un soin spécial. (Consulter les consignes de l'étiquette pour s'assurer que le vêtement est lavable.) Comparable à la façon dont les vêtements sont lavés à la main dans un évier, l'action de lavage de ce programme combine des périodes de culbutage à vitesse extra basse et de trempage. Des vitesses d'essorage faibles réduisent les faux plis.

- Utiliser des sacs en filet, au besoin.

Spin Only (essorage seulement)

Utiliser ce programme pour vidanger la laveuse ou pour vidanger et essorer la charge de lavage. La vitesse d'essorage est pré réglée à High (élevée). Si désiré, on peut réduire la vitesse d'essorage en sélectionnant la vitesse souhaitée à partir du modificateur SPIN SPEED (vitesse d'essorage).

REMARQUE : Les charges de vêtements synthétiques, tissus délicats, articles lavables à la main et lainages doivent être vidangés sans essorage ou avec essorage à basse vitesse pour ne pas déformer les tissus.

Utilisation du réglage SPIN Only

- Sélectionner le programme SPIN Only (essorage seulement).
- Appuyer sur START (mise en marche).

Rinse & Spin (rinçage et essorage)

Utiliser ce programme pour rincer, vidanger et essorer la charge de lavage. Ce programme combine un culbutage à vitesse élevée et un essorage à vitesse élevée. Si désiré, on peut réduire la vitesse d'essorage en sélectionnant la vitesse souhaitée à partir du modificateur SPIN SPEED (vitesse d'essorage).

Le programme Rinse & Spin est utile pour

- Les charges qui nécessitent un rinçage uniquement.
- Ajouter de l'assouplissant de tissu à une charge en utilisant le distributeur d'assouplissant de tissu.

Clean Washer (nettoyage de la laveuse)

Utiliser le programme Clean Washer (nettoyage de la laveuse) une fois par mois pour maintenir la fraîcheur et la propreté de votre laveuse. Ce programme utilise un niveau d'eau plus élevé. Utiliser une tablette de nettoyage de la laveuse AFFRESH® ou un agent de blanchiment au chlore liquide pour bien nettoyer l'intérieur de votre laveuse. Ce programme ne doit pas être interrompu. Consulter "Nettoyage de votre laveuse" à la section Entretien de la laveuse.

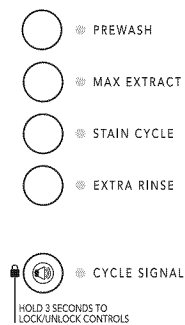
IMPORTANT : Ne pas placer de vêtements ou autres articles dans la laveuse pendant le programme Clean Washer. Utiliser ce programme avec un tambour de lavage vide.

Sons normaux

Comme avec tout nouveau produit, vous entendrez des sons auxquels vous n'êtes pas habitués. Vous pouvez entendre différents sons lors du verrouillage/déverrouillage de la porte et durant le processus de lavage, rinçage ou essorage. Entre les changements des actions de lavage, la laveuse fera des pauses momentanées. Vous entendrez le bruit de la pulvérisation et de l'éclaboussement de l'eau pendant les programmes de lavage et de rinçage. Ces nouveaux sons et pauses font partie du fonctionnement normal de la laveuse. Voir "Dépannage".

Options

Vous pouvez personnaliser votre lavage en ajoutant des options à vos sélections de programme. Vous pouvez ajouter ou modifier une option après le début d'un programme à tout moment avant la mise en marche de l'option sélectionnée. Toutes les options ne sont pas disponibles avec tous les programmes.



- Consulter la section "Guide de lessivage" pour un aperçu des options possibles pour chaque sélection de programme de lavage.

- Si une option est disponible avec un programme sélectionné, le témoin lumineux pour cette option s'allume au moment de la sélection.
- Si une option n'est pas disponible avec un programme sélectionné, un bref signal sonore est émis et le témoin lumineux pour cette option ne s'allume pas au moment de la sélection.

Prewash (prélavage)

Utiliser cette option pour des charges d'articles très sales qui nécessitent un prétraitement.

- Ajouter du détergent dans le compartiment de lavage principal du tiroir distributeur.

Cette option ajoute un temps de culbutage avant le programme principal sélectionné. La laveuse enchaîne automatiquement du programme de prélavage au programme de lavage principal.

Stain Cycle (traitement des taches)

Utiliser cette option pour des charges de vêtements très sales qui nécessitent un traitement renforcé contre les taches. Lorsque l'option Stain Cycle est sélectionnée, la température de l'eau du programme de lavage sélectionné est automatiquement réglée à tiède. L'eau sera ensuite chauffée pour atteindre une température élevée afin de favoriser l'élimination des taches. Cette option permettra l'élimination optimale des souillures organiques telles que le sang.

Extra Rinse (rinçage supplémentaire)

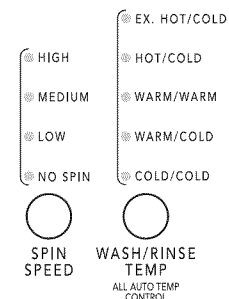
Un second rinçage peut être effectué pour favoriser l'élimination des résidus de détergent ou d'agent de blanchiment sur les vêtements. Cette option fournit un rinçage additionnel avec une eau à la même température que pour le rinçage normal.

Signal de programme

Ce signal est utile lorsque vous retirez les articles de la laveuse aussitôt qu'elle s'arrête. Sélectionner ON (marche) ou OFF (arrêt).

Modificateurs

Les préréglages de programme pour la température de l'eau de lavage/rinçage et la vitesse d'essorage peuvent être modifiés. Vous pouvez changer un modificateur après le début d'un programme à tout moment avant la mise en marche du modificateur sélectionné. Tous les modificateurs ne sont pas disponibles avec toutes les options et tous les programmes.



- Pour modifier la vitesse d'essorage, sélectionner le bouton SPIN SPEED (vitesse d'essorage) jusqu'à ce que le réglage désiré s'allume.
- Pour modifier la température de l'eau, sélectionner le bouton WASH/RINSE TEMP (température de lavage/rinçage), jusqu'à ce que le réglage désiré s'allume.

Température de lavage/rinçage

Sélectionner une température de l'eau selon le type de charge à laver. Utiliser l'eau de lavage la plus chaude sans danger pour les tissus. Suivre les instructions sur l'étiquette des vêtements.

Les rinçages à l'eau tiède permettent un meilleur séchage que les rinçages à froid. Les rinçages à l'eau tiède augmentent le froissement. Dans les climats froids, un rinçage à l'eau tiède facilite la manipulation de la charge. Les rinçages à froid économisent de l'énergie.

Guide de température

Température de l'eau de lavage	Tissus suggérés
EXTRA HOT (très chaude)	Tissus grand teint robustes Saleté intense
HOT (chaude)	Blancs et couleurs claires Saleté intense
WARM (tiède)	Couleurs vives Saletés modérées à légères
COLD (froide)	Couleurs qui déteignent ou s'atténuent Saletés légères

Dans les températures d'eau de lavage inférieures à 60°F (15,6°C), les détergents ne se dissolvent pas bien. Les saletés peuvent être difficiles à enlever.

Commande automatique de la température

La Commande automatique de la température (CAT) détecte et maintient électroniquement une température uniforme de l'eau. La CAT régule l'arrivée d'eau chaude et d'eau froide. La fonction CAT est automatiquement activée lorsqu'un programme est sélectionné. Voir le tableau des pré-réglages de programmes dans "Programmes".

- La fonction CAT fonctionne pour la température de lavage avec les réglages Extra Hot/Cold (très chaude/froide), Hot/Cold (chaude/froide), Warm/Warm (tiède/tiède), Warm/Cold (tiède/froide) et Cold/Cold (froide/froide).
- La fonction CAT fonctionne pour la température de rinçage avec le réglage Warm/Warm (tiède/tiède).
- Les températures de rinçage à froid dépendent de la température de l'eau froide au robinet.

Guide de lessivage

Consulter ce tableau pour les types de charges suggérés et le programme correspondant. Pour chacun des programmes de la laveuse, les options disponibles sont indiquées à droite.

PROGRAMME	TYPE DE CHARGE SUGGÉRÉ	OPTIONS DISPONIBLES					
		Delay Start (mise en marche différée)	Prewash (prélavage)	MAXEXTRACT™	Stain Cycle (programme contre les taches)	Extra Rinse (rinçage supplémentaire)	Cycle signal (signal de programme)
Sanitary (sanitaire)	Articles très sales tels que sous-vêtements, serviettes, vêtements de travail, couches, etc.	✓				✓	✓
Whites (blancs)	Tissus blancs sales	✓	✓	✓	✓	✓	✓
Super Wash (super lavage)	Articles très sales tels que sous-vêtements, serviettes, chemises, etc., en coton	✓	✓	✓	✓	✓	✓
Normal (normal)	Articles normalement sales tels que chemisiers, chemises, salopettes, etc. en polyester, nylon, coton, lin ou mélanges de coton	✓	✓	✓		✓	✓
Rapid Wash (lavage rapide)	Petites charges de 2-3 articles en coton, polyester, nylon, et mélanges de coton légèrement sales	✓		✓		✓	✓
Delicate (articles délicats)	Articles en soie et délicats lavables en machine.	✓				✓	✓
Handwash (lavage à la main)	Lainages avec un fini non feutré et articles nécessitant un soin particulier, lavables en machine.	✓				✓	✓
Spin Only (essorage seulement)	La plupart des charges de vêtements synthétiques, tissus délicats, articles lavables à la main et lainages doivent être vidangées sans essorage ou avec essorage à basse vitesse pour ne pas déformer les tissus.	✓		✓			✓
Rinse & Spin (rinçage et essorage)	Toutes les charges	✓		✓		✓	✓
Clean Washer (nettoyage de la laveuse)	Pas de vêtement, utiliser une tablette de nettoyage de la laveuse AFFRESH® ou de l'agent de blanchiment au chlore.	✓					✓

CONSEILS DE LESSIVAGE

Préparation des vêtements pour le lavage

Suivre les recommandations suivantes pour prolonger la vie de vos vêtements.

- Utiliser uniquement des détergents Haute efficacité. Pour ce type de détergent, "HE" ou "Haute efficacité" sera mentionné sur l'emballage. Ce système de lavage, utilisant moins d'eau, provoquera trop de mousse avec un détergent ordinaire non-HE. L'utilisation d'un détergent ordinaire est susceptible d'occasionner des erreurs de la part de la laveuse, des durées de programmes plus longues et une performance de rinçage réduite. Ceci peut aussi entraîner des défaillances des composants et une moisissure perceptible. Les détergents HE sont conçus pour produire la quantité de mousse adéquate pour le meilleur rendement. Suivre les recommandations du fabricant pour déterminer la quantité de détergent à utiliser. N'oubliez pas que les détergents concentrés (par exemple 2 x ou plus) utiliseront moins de détergent selon la taille de la charge.



Utiliser uniquement un détergent HE Haute efficacité.

- Fermer les fermetures à glissière, les boutons pression et les crochets pour éviter d'accrocher d'autres articles. Retirer les épingles, boucles et autres objets durs pour éviter d'égratigner l'intérieur de la laveuse. Ôter les garnitures et les ornements non lavables.
 - Vider les poches et les retourner.
 - Retourner les revers et enlever la charpie et la poussière avec une brosse.
 - Retourner les lainages et tricotés synthétiques à l'envers pour éviter le boulochage.
 - Attacher les cordons et les ceintures pour empêcher l'emmêlement.
 - Raccorder les déchirures, les ourlets défaits et les coutures.
 - Traiter les taches.
 - Les vêtements tachés ou mouillés doivent être lavés sans délai pour obtenir les meilleurs résultats.
 - Mélanger les petits articles avec les gros, éviter de laver un article seul et répartir la charge de façon égale dans la laveuse.
 - Laver les petits articles tels que les chaussettes d'enfants dans un sac en filet pour le linge. Pour obtenir une charge équilibrée, on recommande d'utiliser plus d'un sac et de remplir chaque sac avec des quantités similaires.
- REMARQUE :** Si vous lavez uniquement des petits articles, il est recommandé d'utiliser plus d'un sac et de remplir chaque sac avec des quantités similaires.

Tri

- Séparer les articles très sales des articles légèrement sales, même si on les lave normalement ensemble. Séparer les articles qui forment de la charpie (serviettes, chenille) des articles qui retiennent la charpie (velours côtelé, synthétiques, pressage permanent). Dans la mesure du possible, retourner les articles qui forment de la charpie.
- Séparer les couleurs foncées des couleurs claires et les articles grand teint des articles qui déteignent.
- Trier en fonction des tissus et de la confection (cotons solides, tricotés, articles délicats).

Déchargement

- Retirer les vêtements de la laveuse une fois que le programme est terminé. Des objets en métal comme les fermetures à glissière, les boutons-pression et les boucles peuvent rouiller si on les laisse longtemps dans le panier de la laveuse.
- Lorsqu'on retire le linge, vérifier de temps en temps sous le joint de couleur grise à l'avant de la cuve qu'il n'y ait pas de petits articles coincés.

Chargement

Suggestions de chargement

Vêtements de travail lourds

2 pantalons	3 jeans
3 chemises	1 salopette

Charge mixte

2 draps doubles ou 1 drap de très grande taille	6 tee-shirts	2 chemisiers
4 taies d'oreiller	6 shorts	6 mouchoirs
	2 chemises	

Serviettes

8 serviettes de bain	10 débarbouillettes
8 serviettes à main	1 tapis de bain











Articles délicats

3 camisoles	4 culottes	2 chemises de nuit
4 jupons	2 soutiens-gorge	

Programme RAPID WASH (lavage rapide)

(2-3 vêtements)	2 chemises habillées	1 pantalon habillé
-----------------	----------------------	--------------------

Guide pour l'élimination des taches

Tache	Utiliser un agent de blanchiment au chlore liquide ou sans danger pour les couleurs	Utiliser le programme de lavage suggéré	Tache	Utiliser un agent de blanchiment au chlore liquide ou sans danger pour les couleurs	Utiliser le programme de lavage suggéré
 Encre	✓	Whites (blancs)	 Herbe	✓	Whites (blancs)
 Sang	✓	Cold (froide) ou Warm (tiède) Prewash (prélavage) Normal (normal)	 Produits à base de tomate	✓	Whites (blancs)
 Café/chocolat	✓	Warm (tiède) Prewash (prélavage) Whites (blancs)	 Boue	✓	Warm (tiède) Prewash (prélavage) Whites (blancs)
 Produits de beauté		Super Wash (super lavage)	 Déodorants		Super Wash (super lavage)
 Huile de moteur usagée		Warm (tiède) Prewash (prélavage) Super Wash (super lavage)	 Anneau autour du col	✓	Normal (normal)

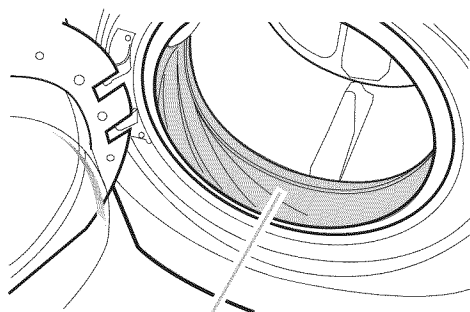
Ne pas faire sécher par culbutage des articles sales ou tachés. La chaleur risque de fixer les taches de façon permanente.

ENTRETIEN DE LA LAVEUSE

Nettoyage de la laveuse

Nettoyage du joint/soufflet de la porte

1. Ouvrir la porte de la laveuse et retirer tout vêtement ou article de la laveuse.
2. Examiner le joint/soufflet de couleur grise entre l'ouverture de la porte et le panier pour déceler des zones tachées. Tirer sur le joint/soufflet pour examiner toutes les zones sous le joint/soufflet et voir s'il n'y a pas d'objets étrangers.



A. Joint/soufflet

3. Si des zones tachées sont décelées, essuyer ces zones en respectant la procédure indiquée ci-dessous.
 - a) Mélanger une solution diluée en utilisant $\frac{3}{4}$ de tasse (177 mL) d'agent de blanchiment liquide et 1 gal. (3,8 L) d'eau tiède du robinet.
 - b) Essuyer la zone du joint/soufflet avec la solution diluée, en utilisant un chiffon humide.
 - c) Laisser agir pendant 5 minutes.
 - d) Essuyer la zone complètement avec un chiffon sec et laisser l'intérieur de la laveuse sécher avec la porte ouverte.

IMPORTANT :

- Porter des gants en caoutchouc en cas de nettoyage pendant une période prolongée.
- Consulter les instructions du fabricant de l'agent de blanchiment pour une utilisation correcte.

Procédure d'entretien de la laveuse

Cette laveuse comporte un programme spécial qui utilise des volumes d'eau plus importants en combinaison avec le produit de nettoyage de la laveuse AFFRESH® ou un agent de blanchiment liquide pour nettoyer à fond l'intérieur de la laveuse.

REMARQUES :

- Lire ces instructions complètement avant de débuter la procédure de nettoyage.

- Si nécessaire, le programme de nettoyage peut être interrompu en appuyant deux fois sur le bouton PAUSE/CANCEL (pause/annulation). Cependant, ceci n'interrompra pas le programme immédiatement. La machine continuera à exécuter plusieurs étapes de rinçage et de vidange pour assurer l'élimination complète de l'agent de blanchiment de la laveuse.

Début de la procédure

1. Ouvrir la porte de la laveuse et retirer tout vêtement ou article de la laveuse.
2. **Utilisation du produit de nettoyage de la laveuse AFFRESH® (recommandé) :**
Ajouter une tablette de produit de nettoyage AFFRESH® dans le tambour de la laveuse.
En cas d'utilisation d'agent de blanchiment au chlore liquide :
Ouvrir le tiroir distributeur et ajouter immédiatement $\frac{2}{3}$ tasse (160 mL) d'agent de blanchiment au chlore liquide dans le compartiment approprié.
REMARQUE : Ne pas ajouter de détergent à ce programme. L'utilisation de plus de $\frac{2}{3}$ tasse (160 mL) d'agent de blanchiment abîmera le produit à la longue.
3. S'assurer que le tiroir distributeur et la porte de la laveuse sont fermés.
4. Sélectionner le programme CLEAN WASHER (nettoyage de la laveuse).
5. Appuyer sur START (mise en marche).
REMARQUE : Le panier pivotera, la porte se déverrouillera, se verrouillera à nouveau et enfin le programme se poursuivra.
 - La machine ne se remplira pas mais le panier pivotera alors que la laveuse effectuera un court programme de détection. Ceci prendra environ 3 minutes.
6. Le programme déterminera si des vêtements ou autres articles se trouvent dans la laveuse.
 - a) Si aucun article n'est détecté dans la laveuse, il passera à l'étape 8.
REMARQUE : Certains modèles présentent l'option d'affichage des codes d'échec.
 - b) Si des articles sont détectés dans la laveuse, "rL" ou "F-34" s'affichera et les témoins PREWASH (lavage) et CLEAN (propre) resteront allumés. La porte se déverrouillera. Retirer les vêtements ou articles de la laveuse.
 - Appuyer sur STOP (arrêt) pour annuler le code d'échec. Puis répéter les étapes 1, 2 et 6 pour remettre le programme en marche.
7. Une fois que le programme a commencé, laisser le programme s'achever.
8. À la fin du programme, laisser la porte légèrement ouverte, pour permettre une meilleure ventilation et le séchage de l'intérieur de la laveuse.

Toujours suivre la procédure qui suit pour préserver la fraîcheur de la laveuse

- Utiliser uniquement un détergent HE Haute efficacité.
- Laisser la porte légèrement ouverte après chaque programme pour permettre une meilleure ventilation et le séchage de l'intérieur de la laveuse.
- Répéter la procédure d'entretien chaque mois, en utilisant $\frac{2}{3}$ de tasse (160 mL) d'agent de blanchiment au chlore liquide.

- Si la procédure ne permet pas de remédier suffisamment aux problèmes de fraîcheur de la machine, veuillez examiner les conditions d'installation et d'utilisation pour déceler d'autres causes.

Nettoyage de l'extérieur

Utiliser une éponge ou un linge doux humide pour essuyer les renversements. Essuyer occasionnellement les surfaces externes de la laveuse pour maintenir son apparence d'appareil neuf. Utiliser un savon doux et de l'eau. Ne pas utiliser des produits abrasifs.

Nettoyage du tiroir distributeur

Le tiroir distributeur est amovible pour faciliter le nettoyage.

1. Déverrouiller le tiroir distributeur en appuyant sur le levier de dégagement du distributeur (lettre A sur l'illustration du distributeur, voir "Utilisation du distributeur"). Ôter le tiroir.
2. Ôter les inserts (le siphon des compartiments de l'assouplissant de tissu et de l'agent de blanchiment).
3. Laver les pièces sous l'eau du robinet.
REMARQUE : Ne pas laver les composants au lave-vaisselle.
4. Réinstaller les inserts et remettre le distributeur dans le tiroir.

Tuyaux d'arrivée d'eau

Remplacer les tuyaux d'arrivée d'eau après cinq ans d'utilisation pour réduire le risque de défaillance intempestive. Inspecter périodiquement les tuyaux; les remplacer en cas de renflement, de déformation, de coupure et d'usure ou si une fuite se manifeste.

Lors du remplacement des tuyaux d'arrivée d'eau, inscrire la date du remplacement.

Précautions à prendre avant les vacances, un entreposage ou un déménagement

Installer et ranger la laveuse à l'abri du gel. L'eau qui peut rester dans les tuyaux risque d'abîmer la laveuse en temps de gel. Si la laveuse doit faire l'objet d'un déménagement ou de remisage au cours d'une période de gel, préparer l'appareil pour l'hiver.

Entretien en cas de non-utilisation ou de période de vacances :

Faire fonctionner la laveuse seulement lorsqu'on est présent. Si vous devez partir en vacances ou ne pas utiliser la laveuse pendant une période prolongée, vous devez exécuter les opérations suivantes :

- Débrancher la laveuse ou déconnecter la source de courant électrique.
- Fermer l'alimentation d'eau de la laveuse. Ceci aide à éviter les inondations (dues à une augmentation de la pression) quand vous êtes absent.
- Ouvrir légèrement la porte pour fournir une ventilation.

Préparation de la laveuse pour l'hiver :

1. Verser 1 pinte (1 L) d'antigel pour véhicule récréatif dans le tambour.
2. Faire exécuter à la laveuse un programme Drain & Spin (vidange et essorage).
3. Débrancher la laveuse ou déconnecter la source de courant électrique.

4. Fermer les deux robinets d'eau.
5. Débrancher les tuyaux d'arrivée d'eau des robinets et les vider.

Remise en marche de la laveuse :

1. Vidanger les canalisations d'eau.
2. Reconnecter les tuyaux d'arrivée d'eau aux robinets.
3. Ouvrir les deux robinets d'eau.

⚠ AVERTISSEMENT



Risque de choc électrique

Brancher sur une prise à 3 alvéoles reliée à la terre.

Ne pas enlever la broche de liaison à la terre.

Ne pas utiliser un adaptateur.

Ne pas utiliser un câble de rallonge.

Le non-respect de ces instructions peut causer un décès, un incendie ou un choc électrique.

4. Brancher la laveuse ou reconnecter la source de courant électrique.
5. Faire exécuter à la laveuse un programme Normal (normal) avec la moitié de la quantité normale recommandée de détergent HE pour une charge moyenne, afin de nettoyer la laveuse et enlever l'antigel, le cas échéant.

Transport de la laveuse :

1. Si la laveuse doit être déplacée en temps de gel, verser une pinte (1 L) d'antigel pour véhicule récréatif dans le tambour. Faire exécuter à la laveuse un programme Drain & Spin (vidange et essorage).
2. Débrancher le cordon d'alimentation.
3. Débrancher le tuyau de vidange du système de vidange et le fixer aux pinces du panneau arrière.
4. Fermer les deux robinets d'eau.
5. Déconnecter les tuyaux d'arrivée d'eau des robinets puis vidanger les tuyaux et les fixer au panneau arrière de la laveuse.
6. **IMPORTANT :** Faire un appel de service. Ne pas réutiliser les boulons de transport. La laveuse doit être transportée en position verticale. Pour éviter des dommages concernant la suspension et la structure, votre appareil doit être correctement monté pour une réinstallation ultérieure par un technicien certifié.

Réinstallation de la laveuse

1. Suivre les "Instructions d'installation" pour choisir l'emplacement, régler l'aplomb de la laveuse et la raccorder.

DÉPANNAGE

Essayer d'abord les solutions suggérées ici ou visiter notre site Web et la FAQ (foire aux questions) pour éviter le coût d'une visite de service.
Aux É.-U., www.maytag.com/help Au Canada, www.maytag.ca

La laveuse et ses composants

Codes d'erreur

Un code d'erreur peut apparaître sur l'afficheur de la durée résiduelle estimée. Consulter la liste ci-dessous pour identifier le problème éventuel et effectuer les vérifications nécessaires.

- **"F20" affiché (problème d'admission d'eau - absence d'eau ou alimentation insuffisante en eau)**
Sélectionner deux fois PAUSE/CANCEL (pause/annulation) pour annuler le programme. Débrancher la laveuse ou déconnecter la source de courant électrique.

Vérifier ce qui suit :

Les robinets d'eau sont-ils complètement ouverts?

Les tamis au point de raccordement des tuyaux d'arrivée d'eau à la laveuse sont-ils obstrués? Les tuyaux d'arrivée d'eau sont-ils déformés?

Les tuyaux d'arrivée d'eau sont-ils gelés?

AVERTISSEMENT



Risque de choc électrique

Brancher sur une prise à 3 alvéoles reliée à la terre.

Ne pas enlever la broche de liaison à la terre.

Ne pas utiliser un adaptateur.

Ne pas utiliser un câble de rallonge.

Le non-respect de ces instructions peut causer un décès, un incendie ou un choc électrique.

Brancher la laveuse ou reconnecter la source de courant électrique. Sélectionner à nouveau un programme et appuyer sur START (mise en marche). Si le problème persiste, faire un appel de service.

2. Faire exécuter à la laveuse un programme Normal (normal) avec la moitié de la quantité normale recommandée de détergent HE pour une charge moyenne, afin de nettoyer la laveuse et enlever l'antigel, le cas échéant.

- **"F21" affiché (problème de vidange)**

Sélectionner deux fois PAUSE/CANCEL (pause/annulation) pour annuler le programme. Débrancher la laveuse ou déconnecter la source de courant électrique.

Vérifier ce qui suit :

Le tuyau de vidange est-il déformé?

Le tuyau de vidange est-il gelé?

Le tuyau de vidange est-il obstrué?

Le tuyau de vidange est-il à plus de 96" (2,4 m) au-dessus du plancher?

Brancher la laveuse ou reconnecter la source de courant électrique. Sélectionner à nouveau un programme et appuyer sur START (mise en marche). Si le problème persiste, faire un appel de service.

- **"SD" (mousse savonneuse)**

Lorsque de la mousse savonneuse excessive est détectée, cette fonction se met en marche automatiquement. Cette action enlève l'excès de mousse et assure le rinçage approprié de votre linge. "SD" est affiché durant le rinçage et à la fin du programme pour vous informer que l'action corrective pour la mousse a été activée. Utiliser seulement des détergents HE (haute efficacité).

- **Variables "F" [F--] (problème électrique)**

Sélectionner deux fois PAUSE/CANCEL (pause/annulation) pour annuler le programme. Sélectionner RINSE & SPIN (rinçage et essorage) puis sélectionner EXTRA RINSE (rinçage supplémentaire) (pour désactiver l'option de rinçage) en cas d'excès d'eau dans la laveuse.

Sélectionner à nouveau un programme et appuyer sur START (mise en marche). Si le problème persiste, faire un appel de service.

Bruit, vibrations, déséquilibre

- **La laveuse est-elle d'aplomb?**

La laveuse doit être d'aplomb. Les quatre pieds doivent être installés correctement et les écrous doivent être serrés contre la caisse de la laveuse.

Les quatre pieds de la laveuse doivent être bien en contact avec le plancher. Si la laveuse est sur un piédestal, elle doit être fixée au piédestal et les quatre pieds du piédestal doivent être bien en contact avec le plancher.

■ **La laveuse fait-elle un bruit différent?**

Comme avec tout nouveau produit, vous entendrez des sons auxquels vous n'êtes pas habitués. Vous pouvez entendre différents sons lors du verrouillage/déverrouillage de la porte et durant le processus de lavage, rinçage ou essorage. Entre les changements des actions de lavage, la laveuse fera des pauses momentanées. Vous entendrez le bruit de la pulvérisation et de l'éclaboussement de l'eau pendant les programmes de lavage et de rinçage. Ces nouveaux sons et pauses font partie du fonctionnement normal de la laveuse.

■ **La laveuse est-elle installée sur un plancher robuste et solide?**

Se référer aux "Instructions d'installation" pour les exigences relatives au plancher. Le bruit et les vibrations peuvent être réduits en plaçant une planche de contreplaqué de ¾" (19,1 mm) sous la laveuse. Le contreplaqué peut se prolonger en-dessous de la laveuse et de la sècheuse pour les maintenir à des hauteurs égales.

■ **La laveuse fait-elle un bruit de gargouillement ou de bourdonnement?**

Lorsque l'eau est vidangée de la laveuse, on peut entendre le bruit de la succion de l'air par la pompe. Ceci se produit à la fin de la vidange. Ceci est normal.

■ **Lavez-vous des articles avec agrafes en métal, boucles ou fermetures à glissière?**

Vous pouvez entendre le bruit des articles métalliques touchant le tambour de la laveuse. Ceci est normal.

■ **Les 4 boulons d'expédition à l'arrière de la machine ont-ils été retirés?**

Voir "Élimination des accessoires de transport".

Fuites d'eau de la laveuse

■ **La porte a-t-elle été ouverte pendant "Add a garment" (ajouter un vêtement)?**

De l'eau peut suinter de l'intérieur de la porte si celle-ci a été ouverte après le début d'un programme.

■ **Un détergent HE est-il utilisé?**

Les détergents non identifiés Haute efficacité peuvent causer un excès de mousse qui peut créer des fuites à l'arrière de la laveuse.

■ **Les tuyaux de remplissage sont-ils serrés?**

■ **Les joints de tuyaux de remplissage d'eau sont-ils correctement installés?**

Vérifier les deux extrémités de chaque tuyau. Voir "Raccordement des tuyaux d'alimentation".

■ **Le tuyau de vidange est-il correctement installé?**

Le tuyau de vidange doit être bien fixé au conduit d'évacuation ou à l'évier de buanderie. Voir "Immobilisation du tuyau de vidange".

■ **L'évier ou le conduit d'évacuation est-il obstrué?**

L'évier et le conduit d'évacuation doivent pouvoir drainer 17 gal. (64 L) d'eau par minute. Si le débit d'eau est obstrué ou ralenti, l'eau peut refouler du conduit d'évacuation ou de l'évier. Vérifier la plomberie du domicile (évier de buanderie, robinets, conduit d'évacuation, conduites d'eau) pour voir s'il y a des fuites.

Fonctionnement des distributeurs

■ **Avez-vous suivi les directives du fabricant pour l'addition de détergent et d'assouplissant dans les distributeurs?**

Mesurer la quantité de détergent et d'assouplissant de tissu. Verser lentement dans les distributeurs. Essuyer tout renversement. Diluer l'assouplissant dans le distributeur d'assouplissant.

■ **Avez-vous placé un agent de blanchiment en poudre ou liquide sans danger pour les couleurs dans le distributeur d'agent de blanchiment au chlore liquide (sur certains modèles)?**

Verser l'agent de blanchiment en poudre ou liquide sans danger pour les couleurs dans le compartiment de détergent du lavage principal. Ne pas utiliser le distributeur d'agent de blanchiment au chlore liquide pour l'agent de blanchiment sans danger pour les couleurs.

■ **Le distributeur d'assouplissant de tissu est-il obstrué?**

Nettoyer le distributeur d'assouplissant de tissu. Voir "Entretien de la laveuse" pour les détails.

■ **Les produits de lessive sont-ils dans le bon compartiment du distributeur?**

Verser les quantités appropriées de détergent, d'assouplissant de tissu ou d'agent de blanchiment au chlore liquide dans le compartiment approprié. Verser l'agent de blanchiment en poudre ou liquide sans danger pour les couleurs dans le compartiment du lavage principal.

■ **Y a-t-il de l'eau dans le distributeur à la fin du programme?**

Une petite quantité d'eau restera dans le compartiment du distributeur. Ceci est normal.

Mauvaises odeurs de la laveuse

■ **Voir "Nettoyage de la laveuse".**

■ **Utilisez-vous régulièrement le produit de nettoyage de la laveuse AFFRESH® ?**

Le produit de nettoyage AFFRESH® élimine et évite les résidus à l'origine de mauvaises odeurs sur toutes les laveuses Haute Efficacité. En cas de mauvaises odeurs dans la laveuse, utiliser 3 tablettes au lieu d'une. Une fois le programme CLEAN WASHER (nettoyage de la laveuse) terminé, essuyer les résidus si nécessaire.

■ **Utilisez-vous un détergent HE?**

L'utilisation d'un détergent non HE peut provoquer un film résiduel à l'origine d'odeurs.

■ **Avez-vous laissé la porte ouverte après utilisation?**

Cette laveuse dispose d'une fermeture étanche pour éviter les fuites d'eau. Pour éviter la formation d'odeurs, laisser la porte ouverte afin de permettre à la laveuse de sécher entre les utilisations.

La porte ne se déverrouille pas

■ **Toute l'eau s'est-elle écoulée de la laveuse durant l'essorage?**

Sélectionner RINSE & SPIN (rinçage et essorage) puis sélectionner EXTRA RINSE (rinçage supplémentaire) (pour désactiver l'option de rinçage) en cas d'excès d'eau dans la laveuse. La porte de la laveuse se déverrouillera à la fin de la vidange.

■ **La porte est-elle verrouillée et le témoin "Add A Garment" (ajouter un vêtement) est-il allumé?**

Appuyer une fois sur PAUSE/CANCEL (pause/annulation). La porte se déverrouillera.

Fonctionnement de la laveuse

La laveuse ne se met pas en marche

⚠ AVERTISSEMENT



Risque de choc électrique

Brancher sur une prise à 3 alvéoles reliée à la terre.

Ne pas enlever la broche de liaison à la terre.

Ne pas utiliser un adaptateur.

Ne pas utiliser un câble de rallonge.

Le non-respect de ces instructions peut causer un décès, un incendie ou un choc électrique.

- **Le cordon d'alimentation est-il branché dans une prise à 3 alvéoles reliée à la terre?**
Brancher le cordon d'alimentation dans une prise à 3 alvéoles reliée à la terre.
- **Utilise-t-on un câble de rallonge?**
Ne pas utiliser de câble de rallonge.
- **Un fusible est-il grillé ou le disjoncteur s'est-il déclenché?**
Vérifier que la laveuse est branchée à une prise de courant fonctionnelle et qu'aucun fusible n'est grillé. Remplacer le fusible ou réenclencher le disjoncteur. Si le problème persiste, appeler un électricien.
- **La tension est-elle basse?**
Vérifier la source de courant électrique ou appeler un électricien.

Le programme de la laveuse ne démarre pas

- **La porte de la laveuse est-elle bien fermée?**
La porte doit être fermée lorsque la laveuse est en marche.
- **Un programme a-t-il été sélectionné sans que START ait été sélectionné pendant 1 seconde?**
Appuyer sur START (mise en marche) pendant 1 seconde.
- **La porte a-t-elle été ouverte après l'achèvement du dernier programme?**
La porte doit être ouverte et fermée à nouveau pour mettre en marche un nouveau programme.
- **La porte est-elle verrouillée?**
Si la porte est verrouillée, exécuter un programme de vidange et vidanger la laveuse.

Le module de commande n'accepte pas les sélections effectuées et ne s'éteint pas

- **Les touches tactiles du tableau de commande sont-elles verrouillées?**
Appuyer sur le bouton pendant 3 secondes pour verrouiller/déverrouiller les commandes.
- **Les boutons tactiles ne répondent pas?**
Appuyer deux fois sur la touche tactile STOP (arrêt). Contrôler le fonctionnement de l'ensemble clavier tactile/DEL en sélectionnant divers programmes et en modifiant les réglages et options disponibles pour vérifier que l'ensemble clavier tactile/DEL réagit.

La laveuse cesse de fonctionner

- **La laveuse s'éteint-elle régulièrement au même moment au cours du même programme de lavage?**
Débrancher la laveuse ou déconnecter la source de courant électrique. Attendre 5 minutes. Brancher la laveuse ou reconnecter la source de courant électrique. Exécuter un autre programme.

Quand la laveuse cesse-t-elle de fonctionner

Au début du programme :

La laveuse n'effectue pas la distribution

- **La laveuse est-elle d'aplomb?**
Vérifier que la laveuse est d'aplomb. Voir "Réglage de l'aplomb de la laveuse".
- **Le tiroir a-t-il distribué le détergent?**
Vérifier que le tiroir distributeur n'est pas obstrué par du détergent.
- **Les deux robinets d'eau chaude et d'eau froide sont-ils ouverts?**
Inspecter les raccords de tuyau connectés à la laveuse. Vérifier que le tamis de l'arrivée d'eau n'est pas colmaté. Inspecter l'arrivée d'eau et l'électrovanne.

La laveuse ne se remplit pas

- **La pression en eau du domicile est-elle faible?**
Vérifier si la pression d'eau du domicile est faible, ouvrir les robinets d'eau.
- **Les deux robinets d'eau chaude et d'eau froide sont-ils ouverts?**
Vérifier que les robinets d'eau chaude et d'eau froide des robinets sont bien complètement ouverts.
- **Le tuyau d'arrivée d'eau est-il déformé?**
Redresser les tuyaux. Vérifier les raccordements des tuyaux connectés à la laveuse et s'assurer que les tuyaux d'arrivée d'eau ne sont pas obstrués. Vérifier que le tamis de l'arrivée d'eau n'est pas colmaté.
- **Les tamis du robinet d'arrivée d'eau sont-ils obstrués?**
Couper l'arrivée d'eau et retirer les tuyaux d'arrivée d'eau de la laveuse. Ôter toute pellicule ou particules accumulées. Réinstaller les tuyaux, ouvrir l'arrivée d'eau et vérifier qu'il n'y a pas de fuites.

■ **Utilise-t-on un détergent HE?**

Le détergent HE est un détergent qui provoque peu de mousse. Ceci est normal et n'affecte pas la performance de nettoyage.

■ **Faible niveau d'eau?**

Cette laveuse utilise un faible niveau d'eau afin de fournir des résultats de nettoyage satisfaisants. Vous ne constaterez que peu ou pas d'éclaboussures d'eau dans cette laveuse. Ceci est normal.

La laveuse ne fonctionne pas

■ **La laveuse fait-elle une pause normale au cours du programme?**

La laveuse fait une pause d'environ 2 minutes au cours de certains programmes. Laisser le programme se poursuivre. Certains programmes comprennent des périodes de culbutage et de trempage.

■ **La laveuse est-elle surchargée?**

Laver des charges plus petites.

Température de l'eau incorrecte ou température de lavage/rinçage incorrecte

■ **Les robinets d'arrivée d'eau chaude et d'eau froide ont-ils été inversés?**

Voir "Raccordement des tuyaux d'alimentation".

■ **Lave-t-on un nombre important de charges?**

Lorsque la fréquence de charges lavées augmente, la température de l'eau peut baisser lorsqu'on choisit une température chaude ou tiède. Ceci est normal.

Pas assez d'eau/pas assez de mousse

■ **Faible niveau d'eau?**

Cette laveuse utilise un faible niveau d'eau afin de fournir des résultats de nettoyage satisfaisants. Vous ne constaterez que peu ou pas d'éclaboussures d'eau dans cette laveuse. Ceci est normal.

■ **Utilise-t-on un détergent HE?**

Le détergent HE est un détergent qui provoque peu de mousse. Ceci est normal et n'affecte pas la performance de nettoyage.

Quand la laveuse cesse-t-elle de fonctionner Au milieu du programme :

La laveuse continue de se remplir ou la vidange se poursuit, le programme semble bloqué

■ **Le sommet du tuyau de vidange est-il plus bas que 30" (760 mm) sur la laveuse?**

Le sommet du tuyau de vidange doit se trouver à au moins 30" (760 mm) au-dessus du plancher. Voir "Système de vidange". Vérifier que la laveuse est d'aplomb. Vérifier que le robinet n'est pas bloqué en position ouverte ; si elle est ouverte, le remplissage ne sera pas régulé.

■ **Le tuyau de vidange est-il trop serré dans le tuyau de rejet à l'égout, ou est-il fixé au tuyau de rejet à l'égout avec du ruban adhésif?**

Le tuyau de vidange doit être lâche mais bien fixé. Ne pas sceller le tuyau de vidange avec du ruban adhésif. Le tuyau a besoin d'une ouverture pour l'air. Voir "Immobilisation du tuyau de vidange".

La laveuse n'effectue pas de vidange ni d'essorage, l'eau reste dans la laveuse.

■ **Le tuyau de vidange est-il obstrué, ou l'extrémité du tuyau de vidange se trouve-t-elle à plus de 96" (2,4 m) au-dessus du plancher?**

Voir "Exigences d'installation".

■ **Le tuyau de vidange est-il trop serré dans le tuyau de rejet à l'égout, ou est-il fixé au tuyau de rejet à l'égout avec du ruban adhésif?**

Le tuyau de vidange doit être lâche mais bien fixé. Ne pas sceller le tuyau de vidange avec du ruban adhésif. Le tuyau a besoin d'une ouverture pour l'air. Voir "Immobilisation du tuyau de vidange".

■ **Excès de mousse?**

Lorsqu'un excès de mousse est détecté, une procédure spéciale contre la mousse se met en marche automatiquement. Le programme se termine une fois que l'excès de mousse est éliminé. Ceci survient plus fréquemment lorsqu'un détergent non-HE est utilisé.

■ **La charge est-elle équilibrée?**

Un article ou un article encombrant peut provoquer un déséquilibre à lui seul. Ajouter des articles ou redistribuer la charge.

Le moteur de la laveuse surchauffe

- Si le moteur de la laveuse surchauffe, faire un appel de service.

Bruits, vibrations, et durées

La laveuse vibre

- **Les boulons d'expédition ont-ils été retirés?**
Vérifier que les accessoires d'immobilisation pour transport, notamment boulons et cales d'expédition, ont été retirés et que le cordon d'alimentation électrique se trouve bien en dehors de la laveuse.
- **La laveuse est-elle d'aplomb?**
Inspecter les pieds de nivellement. Contrôler la stabilité du plancher. Voir "Réglage de l'aplomb de la laveuse".
- **Le tambour est-il vide?**
Faire tourner le tambour à la main pour vérifier que rien ne retient le panier d'essorage. Vérifier qu'aucun vêtement n'est bloqué entre le panier d'essorage et la cuve extérieure. Déplacer la partie ouverte du tambour vers le haut et vers le bas tout en maintenant la cuve externe en place et déterminer s'il y a du jeu (plus de ¼" de déplacement).
- **La charge est-elle équilibrée?**
Un article ou un article encombrant peut provoquer un déséquilibre à lui seul. Ajouter des articles ou redistribuer la charge.

Changements dans la durée du programme/programme trop long

- **Durée de programme estimée?**
Les durées de programme varient automatiquement en fonction de la pression et de la température de l'eau, du détergent et de la charge de vêtements. La durée du programme sera prolongée en cas d'excès de mousse ou si la charge est déséquilibrée. La procédure contre la mousse élimine l'excès de mousse et permet un rinçage correct des vêtements. Les options sélectionnées affectent aussi les durées de programme qui sont mentionnées dans le tableau des pré-réglages de programme.
- **Excès de mousse?**
Lorsqu'un excès de mousse est détecté, une procédure spéciale contre la mousse se met en marche automatiquement. Cette procédure prolonge la durée initiale du programme.
- **La charge a-t-elle causé un déséquilibre?**
Lorsqu'il y a un trop grand déséquilibre, une procédure de rééquilibrage se met en marche pour redistribuer la charge. Durant la procédure de rééquilibrage, l'affichage de la durée se met en pause jusqu'à ce que cette activité soit terminée, puis se réactive pour le reste du programme.
- **Lave-t-on un article seulement ou une charge encombrante?**
La durée d'essorage est prolongée si une charge déséquilibrée est détectée. La laveuse tentera de redistribuer la charge avec un culbutage supplémentaire.

- **A-t-on lavé une charge importante avec le programme Express Wash (lavage rapide)?**
Le programme Express Wash (lavage rapide) est conçu pour les charges plus petites (2 à 3 articles) de vêtements légèrement sales. Si des charges plus importantes sont lavées avec ce programme, la durée de lavage augmente.
- **A-t-on lavé une charge importante en utilisant un programme doux ou délicat?**
Avec les programmes de lavage Express Wash (lavage rapide) ou Silk/Delicate (soie/ articles délicats), il faut laver de petites charges. Ceci garantit un lavage en douceur des vêtements sans augmenter les durées de programme.

Entretien des vêtements

Charge trop mouillée

- **Avez-vous utilisé le bon programme pour la charge à laver?**
Choisir un programme avec une vitesse d'essorage plus élevée.
- **Avez-vous lavé un article seul, des articles encombrants ou avez-vous surchargé la laveuse?**
Le lavage d'un seul article ou d'un article encombrant, ou une charge excessive peuvent provoquer un déséquilibre. Ajouter des articles ou essayer de distribuer uniformément votre lessive mouillée dans le tambour. Sélectionner RINSE & SPIN (rinçage et essorage) puis sélectionner EXTRA RINSE (rinçage supplémentaire) (pour désactiver l'option de rinçage) pour vidanger la laveuse. Si la lessive est encore mouillée, retirer la moitié de la charge de la laveuse et essayer de nouveau.
- **Avez-vous utilisé un détergent HE?**
La présence de mousse durant les programmes de rinçage et d'essorage peut réduire la vitesse d'essorage. Utiliser un détergent HE.

Résidus, charpie, taches sur la charge; blancs grisâtres, couleurs défraîchies

- **Avez-vous ajouté du détergent au distributeur?**
Pour des résultats optimaux, ajouter du détergent au compartiment de détergent. Ne pas verser le détergent dans le tambour de la laveuse.
- **Avez-vous effectué le tri correctement?**
Trier les articles causant la charpie (serviettes, chenille) des articles qui retiennent la charpie (velours côtelé, synthétiques). Un transfert de teinture peut se produire lors du mélange d'articles blancs et de couleur dans une même charge. Séparer les articles de teinte foncée des articles blancs ou clairs.
- **Avez-vous surchargé la laveuse?**
Ne pas surcharger la laveuse. La laveuse peut être bien remplie mais le linge ne doit pas être tassé. La charge de lavage doit être équilibrée. De la charpie peut être coincée dans la charge s'il y a surcharge.

- **Vérifier ce qui suit :**
Avez-vous laissé du papier ou des mouchoirs en papier dans les poches?
- **Avez-vous utilisé suffisamment de détergent HE?**
Suivre les recommandations du fabricant pour le type de charge à laver. Pour des résultats optimaux, utiliser uniquement un détergent Haute efficacité. Utiliser suffisamment de détergent pour enlever la saleté et la maintenir en suspension.
- **Avez-vous une eau dure?**
Utiliser plus de détergent pour laver la saleté intense à l'eau froide ou dure.
- **La température de l'eau est-elle inférieure à 60°F (15,6°C)?**
Une eau de lavage plus froide que 60°F (15,6°C) peut ne pas dissoudre complètement le détergent. Utiliser les lavages à l'eau chaude ou tiède si ceux-ci sont sans danger pour les tissus de la charge. S'assurer que le système d'eau chaude est adéquat pour fournir un lavage à l'eau chaude.
- **Utilisez-vous un programme de lavage à basse vitesse?**
Les détergents en poudre peuvent ne pas se dissoudre correctement durant un programme à basse vitesse. Pour des résultats optimaux, utiliser un détergent liquide pour les programmes à basse vitesse tels que Delicates (articles délicats).
- **Avez-vous déchargé la laveuse immédiatement?**
Pour éviter le transfert de teinture, décharger la laveuse dès qu'elle s'arrête.
- **Avez-vous utilisé une boule distributrice d'assouplissant de tissu?**
Les boules distributrices ne fonctionnent pas correctement avec cette laveuse. Verser un assouplissant de tissu liquide dans le compartiment d'assouplissant de tissu.
- **Avez-vous utilisé un détergent en poudre pour un programme à vitesse faible?**
Envisager l'utilisation d'un détergent liquide.
- **Avez-vous utilisé le programme Rapid Wash (lavage rapide) pour un volume de charge important?**
Pour des résultats optimaux, utiliser le programme Rapid Wash (lavage rapide) pour les petites charges de linge légèrement sale.

La charge est froissée, entortillée, enchevêtrée

- **Avez-vous déchargé la laveuse immédiatement?**
Décharger la laveuse dès qu'elle s'arrête.
- **Avez-vous utilisé le bon programme pour la charge à laver?**
Utiliser le programme Delicates (articles délicats) ou un autre programme avec basse vitesse d'essorage pour réduire le froissement.
- **Avez-vous surchargé la laveuse?**
La charge de lavage doit être équilibrée et pas surchargée. Les charges doivent pouvoir se déplacer librement durant le lavage.
- **L'eau de lavage était-elle suffisamment chaude pour réduire le froissement?**
Si c'est sans danger pour la charge, utiliser une eau de lavage tiède ou chaude.
- **Les robinets d'eau chaude et froide ont-ils été inversés?**
Vérifier que les tuyaux d'eau chaude et d'eau froide sont connectés aux bons robinets. Un rinçage à l'eau chaude suivi d'un essorage provoquera un froissement. Voir "Raccordement des tuyaux d'alimentation".

ASSISTANCE OU SERVICE

Avant de faire un appel pour assistance ou service, veuillez vérifier la section "Dépannage". Cette vérification peut vous faire économiser le coût d'une visite de service. Si vous avez encore besoin d'aide, suivez les instructions ci-dessous.

Lors d'un appel, veuillez connaître la date d'achat et les numéros de modèle et de série complets de votre appareil. Ces renseignements nous aideront à mieux répondre à votre demande.

Si vous avez besoin de pièces de rechange

Si vous avez besoin de commander des pièces de rechange, nous vous recommandons d'utiliser seulement des pièces spécifiées par l'usine. Les pièces spécifiées par l'usine fonctionneront bien car elles sont fabriquées selon la même précision utilisée pour fabriquer chaque nouvel appareil MAYTAG®.

Pour localiser des pièces spécifiées par l'usine dans votre région, composer le numéro de téléphone d'assistance à la clientèle suivant ou appeler le centre de service désigné le plus proche.

Aux États-Unis

Téléphoner sans frais au Centre d'assistance à la clientèle de Maytag Services, LLC au : **1-800-688-9900** ou visiter notre site Web à **www.maytag.com**.

Nos consultants fournissent de l'assistance pour :

- Caractéristiques et spécifications de notre gamme complète d'appareils ménagers.
- Renseignements d'installation.
- Procédés d'utilisation et d'entretien.
- Vente d'accessoires et de pièces de rechange.
- Assistance spécialisée au client (langue espagnole, malentendants, malvoyants, etc.).
- Références aux marchands locaux, aux distributeurs de pièces de rechange et aux compagnies de service. Les techniciens de service désignés par Maytag® sont formés pour remplir la garantie des produits et fournir un service après la garantie, partout aux États-Unis.

Pour localiser la compagnie de service désignée par Maytag® dans votre région, vous pouvez également consulter les Pages jaunes.

Pour plus d'assistance

Si vous avez besoin de plus d'assistance, vous pouvez soumettre par écrit toute question ou préoccupation à Maytag® à l'adresse suivante :

Maytag Services, LLC
ATTN: CAIR® Center
P.O. Box 2370
Cleveland, TN 37320-2370

Veuillez inclure dans votre correspondance un numéro de téléphone où l'on peut vous joindre dans la journée.

Au Canada

Veuillez appeler sans frais le Centre d'interaction avec la clientèle de Whirlpool Canada LP au : **1-800-807-6777** ou visiter notre site web à **www.whirlpool.ca**.

Nos consultants vous renseigneront sur les sujets suivants :

- Caractéristiques et spécifications sur toute notre gamme d'appareils électroménagers.
- Consignes d'utilisation et d'entretien.
- Ventes d'accessoires et de pièces de rechange.
- Références aux marchands locaux, aux distributeurs de pièces de rechange et aux compagnies de service. Les techniciens de service désignés par Whirlpool Canada LP sont formés pour remplir la garantie des produits et fournir un service après la garantie, partout au Canada.

Pour plus d'assistance

Si vous avez besoin de plus d'assistance, vous pouvez soumettre par écrit toute question ou préoccupation à Whirlpool Canada LP à l'adresse suivante :

Centre d'interaction avec la clientèle
Whirlpool Canada LP
1901 Minnesota Court
Mississauga, Ontario L5N 3A7

Veuillez inclure dans votre correspondance un numéro de téléphone où on peut vous joindre dans la journée.

Accessoires

Vous pouvez faciliter l'utilisation de votre laveuse avec ces accessoires de première qualité.

Pour vous informer au sujet des autres articles de qualité ou pour commander, composez le **1-800-901-2042** ou consultez le site **www.maytag.com/accessories**. Au Canada, composez le **1-800-807-6777** ou consultez le site Internet **www.whirlpoolparts.ca**.

Produit numéro	Accessoire
8212638RP	Tuyau de remplissage compact de 6 pi (1,8 m) en nylon tressé, coude à 90°, raccords hypro-blue en acier. (lot de 2)
8212487RP	Tuyau de remplissage de 5 pi (1,5 m) en nylon tressé. (lot de 2)
8212526	Plateau d'égouttement de la laveuse, convient à tous les modèles
31682	Produit de nettoyage polyvalent pour appareils ménagers
1903WH	Casier de rangement de fournitures de buanderie
W10135699	AFFRESH® - Produit de nettoyage pour laveuse

GARANTIE DES APPAREILS DE BUANDERIE MAYTAG®

GARANTIE LIMITÉE

Pendant un an à compter de la date d'achat, lorsque ce gros appareil ménager est utilisé et entretenu conformément aux instructions jointes à ou fournies avec le produit, la marque Maytag de Whirlpool Corporation ou Whirlpool Canada LP (ci-après désignées "Maytag") paiera pour les pièces spécifiées par l'usine et la main-d'œuvre pour corriger les vices de matériaux ou de fabrication qui existaient déjà lorsque ce gros appareil ménager a été acheté. Le service doit être fourni par une compagnie de service désignée par Maytag. LE SEUL ET EXCLUSIF RECOURS DU CLIENT DANS LE CADRE DE LA PRÉSENTE GARANTIE LIMITÉE CONSISTE EN LA RÉPARATION PRÉVUE CI-DESSUS. Cette garantie limitée est valide uniquement aux États-Unis ou au Canada et s'applique exclusivement lorsque le gros appareil ménager est utilisé dans le pays où il a été acheté. Une preuve de la date d'achat d'origine est exigée pour obtenir un service dans le cadre de la présente garantie limitée.

ÉLÉMENTS EXCLUS DE LA GARANTIE

La présente garantie limitée ne couvre pas :

1. Les pièces de rechange ou la main d'œuvre lorsque ce gros appareil ménager est utilisé à des fins autres que l'usage unifamilial normal ou lorsque les instructions d'installation et/ou les instructions de l'opérateur ou de l'utilisateur fournies ne sont pas respectées.
2. Les visites de service pour rectifier l'installation du gros appareil ménager, montrer à l'utilisateur comment utiliser l'appareil, remplacer ou réparer des fusibles ou rectifier le câblage ou la plomberie du domicile.
3. Les visites de service pour réparer ou remplacer les ampoules électriques, les filtres à air ou les filtres à eau de l'appareil. Les pièces consommables ne sont pas couvertes par la garantie.
4. Les dommages imputables à : accident, modification, usage impropre ou abusif, incendie, inondation, actes de Dieu, installation fautive ou installation non conforme aux codes d'électricité ou de plomberie, ou l'utilisation de produits non approuvés par Maytag.
5. Les défauts apparents, notamment les éraflures, les bosses, fissures ou tout autre dommage au fini du gros appareil ménager, à moins que ces dommages soient dus à des vices de matériaux ou de fabrication et soient signalés à Maytag dans les 30 jours suivant la date d'achat.
6. L'enlèvement et la livraison. Ce gros appareil ménager est conçu pour être réparé à domicile.
7. Les réparations aux pièces ou systèmes résultant d'une modification non autorisée faite à l'appareil.
8. Les frais de déplacement et de transport pour le service d'un produit si votre gros appareil ménager est situé dans une région éloignée où un service d'entretien Maytag autorisé n'est pas disponible.
9. La dépose et la réinstallation de votre gros appareil ménager si celui-ci est installé dans un endroit inaccessible ou n'est pas installé conformément aux instructions d'installation fournies par Maytag.
10. Les pièces de rechange ou la main d'œuvre pour les gros appareils ménagers dont les numéros de série et de modèle originaux ont été enlevés, modifiés ou qui ne peuvent pas être facilement identifiés.

CLAUSE D'EXONÉRATION DE RESPONSABILITÉ AU TITRE DES GARANTIES IMPLICITES

LES GARANTIES IMPLICITES, Y COMPRIS LES GARANTIES APPLICABLES DE QUALITÉ MARCHANDE OU D'APTITUDE À UN USAGE PARTICULIER, SONT LIMITÉES À UN AN OU À LA PLUS COURTE PÉRIODE AUTORISÉE PAR LA LOI. Certains États et certaines provinces ne permettent pas de limitation sur la durée de garanties implicites de qualité marchande ou d'aptitude à un usage particulier, de sorte que la limitation ci-dessus peut ne pas être applicable dans votre cas. Cette garantie vous confère des droits juridiques spécifiques, et vous pouvez également jouir d'autres droits qui peuvent varier d'une juridiction à l'autre.

LIMITATION DES RECOURS, EXCLUSION DES DOMMAGES FORTUITS OU INDIRECTS

LE SEUL ET EXCLUSIF RECOURS DU CLIENT DANS LE CADRE DE LA PRÉSENTE GARANTIE LIMITÉE CONSISTE EN LA RÉPARATION PRÉVUE CI-DESSUS. MAYTAG N'ASSUME AUCUNE RESPONSABILITÉ POUR LES DOMMAGES FORTUITS OU INDIRECTS. Certains États et certaines provinces ne permettent pas l'exclusion ou la limitation des dommages fortuits ou indirects de sorte que ces limitations et exclusions peuvent ne pas être applicables dans votre cas. Cette garantie vous confère des droits juridiques spécifiques, et vous pouvez également jouir d'autres droits qui peuvent varier d'une juridiction à l'autre.

Si vous résidez à l'extérieur du Canada et des 50 États des États-Unis, contactez votre marchand Maytag autorisé pour déterminer si une autre garantie s'applique.

Si vous avez besoin d'un service de réparation, voir d'abord la section "Dépannage" du Guide d'utilisation et d'entretien. Si vous n'êtes pas en mesure de résoudre le problème après avoir consulté la section "Dépannage", vous pouvez trouver de l'aide supplémentaire en consultant la section "Assistance ou Service" ou en appelant Maytag. Aux É.-U., composer le **1-800-688-9900**. Au Canada, composer le **1-800-807-6777**.

6/08

Conservez ce manuel et votre reçu de vente ensemble pour référence ultérieure. Pour le service sous garantie, vous devez présenter un document prouvant la date d'achat ou d'installation.

Inscrivez les renseignements suivants au sujet de votre gros appareil ménager pour mieux vous aider à obtenir assistance ou service en cas de besoin. Vous devez connaître le numéro de modèle et le numéro de série au complet. Vous trouverez ces renseignements sur la plaque signalétique située sur le produit.

Nom du marchand _____

Adresse _____

Numéro de téléphone _____

Numéro de modèle _____

Numéro de série _____

Date d'achat _____

W10259110A

© 2009
All rights reserved.
Tous droits réservés.

®Registered trademark/™ Trademark of Maytag Corporation or its related companies.
®Marque déposée/™ Marque de commerce de Maytag Corporation ou de ses compagnies affiliées.
Used under license by Maytag Limited in Canada.
Emploi sous licence par Maytag Limited au Canada.

4/09
Printed in Mexico
Imprimé au Mexique.