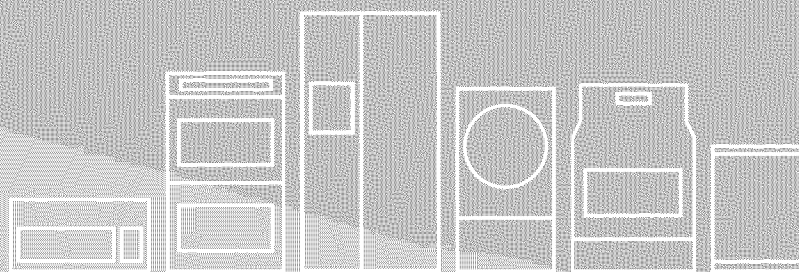


# FRIGIDAIRE

All about the

# Use & Care

of your Refrigerator



## TABLE OF CONTENTS

Important Safety Instructions.....	2	Storage Features.....	17
Features at a Glance.....	4	Storing Food and Saving Energy.....	20
Installation.....	5	Normal Operating Sounds and Sights.....	21
Door Removal Instructions.....	9	Changing the Filter.....	22
Installing Door Handles.....	11	Care and Cleaning.....	24
Connecting Water Supply.....	13	Before you Call.....	27
Controls.....	14	Major Appliance Warranty.....	29
Automatic Ice Maker.....	16		

# IMPORTANT SAFETY INSTRUCTIONS


## **WARNING**

Please read all instructions before using this refrigerator.

### **For your Safety**

- DO NOT store or use gasoline, or other flammable liquids in the vicinity of this or any other appliance. Read product labels for warnings regarding flammability and other hazards.
- DO NOT operate the refrigerator in the presence of explosive fumes.
- Avoid contact with any moving parts of automatic ice maker.
- Remove all staples from the carton. Staples can cause severe cuts, and also destroy finishes if they come in contact with other appliances or furniture.

### **Definitions**

 This is the safety alert symbol. It is used to alert you to potential personal injury hazards. Obey all safety messages that follow this symbol to avoid possible injury or death.

## **DANGER**

DANGER indicates an imminently hazardous situation which, if not avoided, will result in death or serious injury.

## **WARNING**

WARNING indicates a potentially hazardous situation which, if not avoided, could result in death or serious injury.

## **CAUTION**

CAUTION indicates a potentially hazardous situation which, if not avoided, may result in minor or moderate injury.

## **IMPORTANT**

IMPORTANT indicates installation, operation or maintenance information which is important but not hazard-related.

## **Installation Checklist**

### **Doors**

- Handles are secure and tight
- Door seals completely to cabinet on all sides
- Freezer drawer is level across the top

### **Leveling**

- Refrigerator is level, side-to-side and tilted 1/4" (6mm) front-to-back
- Toe grille is properly attached to refrigerator
- Cabinet is setting solid on all corners

### **Electrical Power**

- House power turned on
- Refrigerator plugged in

### **Ice Maker**

- House water supply connected to refrigerator
- No water leaks present at all connections - recheck in 24 hours
- Ice maker is turned ON
- Ice & water dispenser operates correctly

### **Final Checks**

- Shipping material removed
- Fresh food and freezer temperatures set
- Crisper humidity controls set
- Registration card sent in

# IMPORTANT SAFETY INSTRUCTIONS

## Child Safety

Destroy or recycle the carton, plastic bags, and any exterior wrapping material immediately after the refrigerator is unpacked. Children should **NEVER** use these items to play. Cartons covered with rugs, bedspreads, plastic sheets or stretch wrap may become airtight chambers, and can quickly cause suffocation.

## Proper Disposal of your Refrigerator or Freezer

### Risk of child entrapment

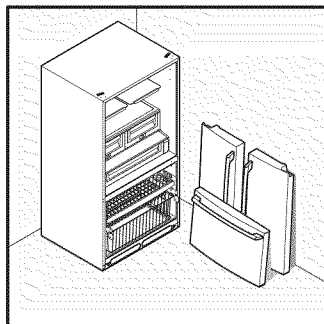
Child entrapment and suffocation are not problems of the past. Junked or abandoned refrigerators or freezers are still dangerous – even if they will sit for “just a few days”. If you are getting rid of your old refrigerator or freezer, please follow the instructions below to help prevent accidents.

### Proper Disposal of Refrigerators/Freezers

We strongly encourage responsible appliance recycling/disposal methods. Check with your utility company or visit [www.recyclemysoldfridge.com](http://www.recyclemysoldfridge.com) for more information on recycling your old refrigerator.

### Before you throw away your old refrigerator/freezer:

- Remove doors.
- Leave shelves in place so children may not easily climb inside.
- Have refrigerant removed by a qualified service technician.



## WARNING

These guidelines must be followed to ensure that safety mechanisms in this refrigerator will operate properly.

## Electrical information

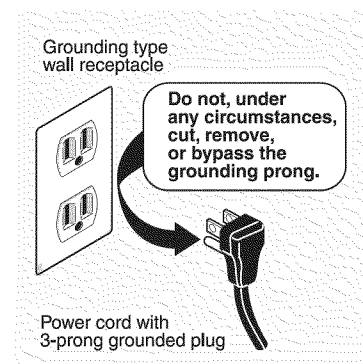
- **The refrigerator must be plugged into its own dedicated 115 Volt, 60 Hz., 15 Amp, AC only electrical outlet.** The power cord of the appliance is equipped with a three-prong grounding plug for your protection against electrical shock hazards. It must be plugged directly into a properly grounded three prong receptacle. The receptacle must be installed in accordance with local codes and ordinances. Consult a qualified electrician. Avoid connecting refrigerator to a Ground

Fault Interrupter (GFI) circuit. **Do not use an extension cord or adapter plug.**

- If the power cord is damaged, it should be replaced by an authorized service technician to prevent any risk.
- Never unplug the refrigerator by pulling on the power cord. Always grip the plug firmly, and pull straight out from the receptacle to prevent damaging the power cord.
- Unplug the refrigerator before cleaning and before replacing a light bulb to avoid electrical shock.
- Performance may be affected if the voltage varies by 10% or more. Operating the refrigerator with insufficient power can damage the compressor. Such damage is not covered under your warranty.
- Do not plug the unit into an electrical outlet controlled by a wall switch or pull cord to prevent the refrigerator from being turned off accidentally.

## IMPORTANT

Pressing and holding the **On/Off** button for 3 seconds, located on the left side of the temperature control panel will disable your refrigerator's cooling system, but does not disconnect the power to the light bulb and other electrical components. To turn off power to your refrigerator you must unplug the power cord from the electrical outlet.

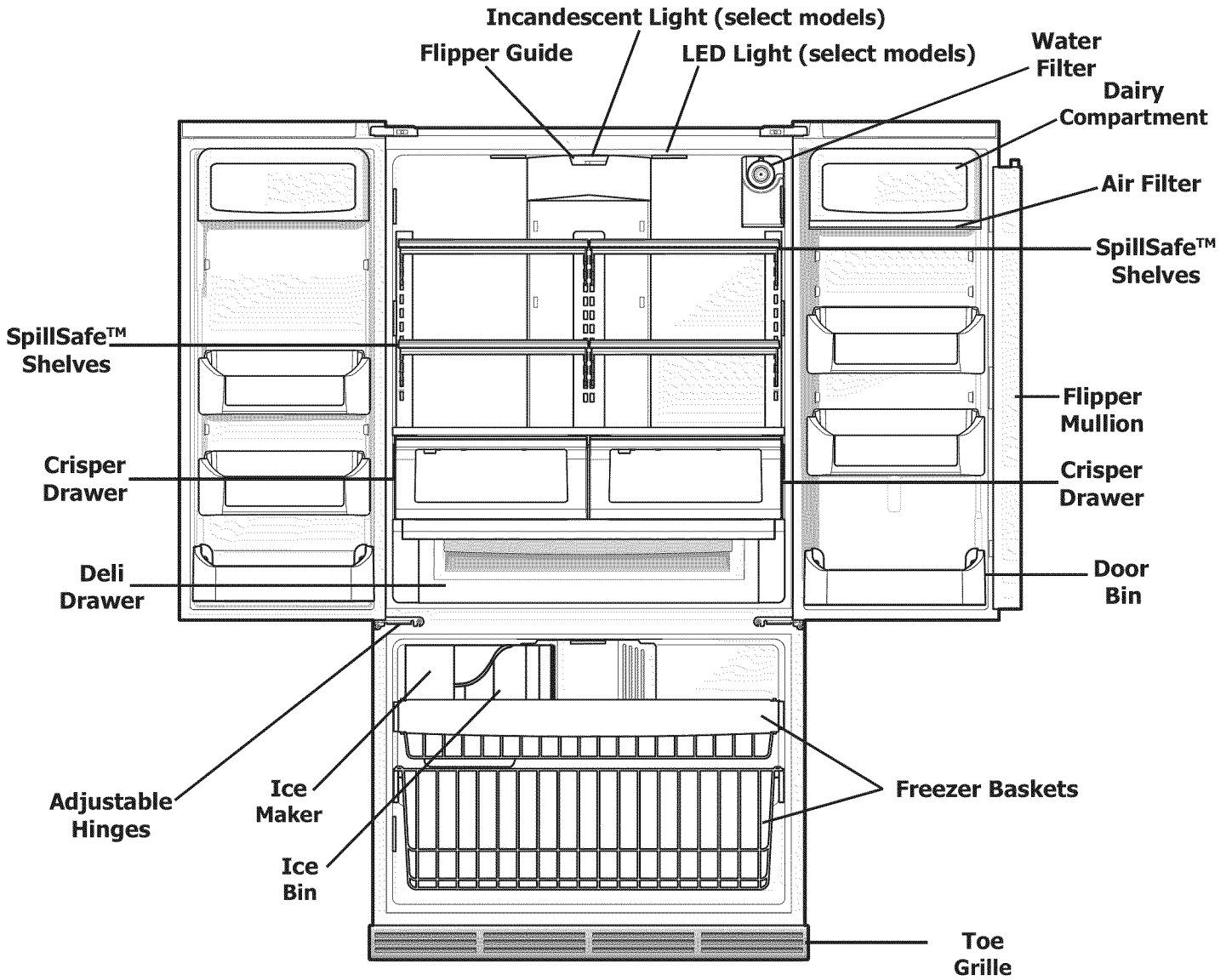


## CAUTION

To avoid personal injury or property damage, handle tempered glass shelves carefully. Shelves may break suddenly if nicked, scratched, or exposed to sudden temperature change.

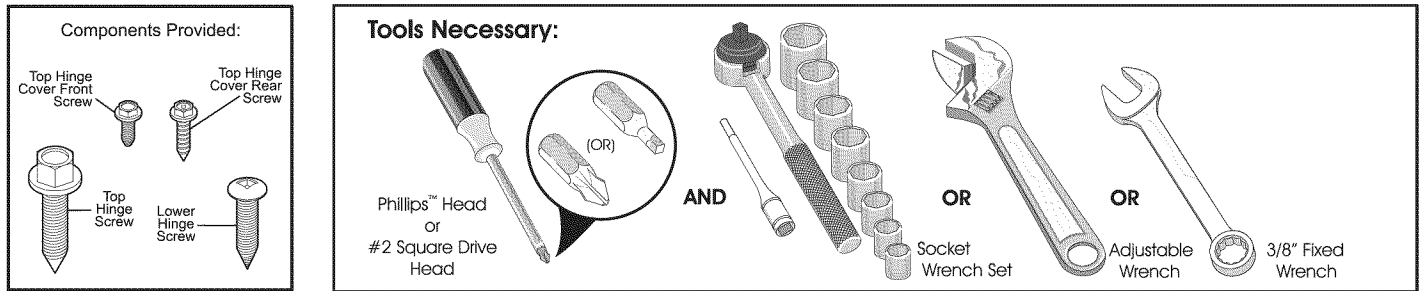
# FEATURES AT A GLANCE

Features may vary according to model



## Required Tools

You will need the following tools:



This Use & Care Guide provides general installation and operating instructions for your model. We recommend using a service or kitchen contracting professional to install your refrigerator. Use the refrigerator only as instructed in this Use & Care Guide. **Before starting the refrigerator, follow these important first steps.**

## Location

- Choose a place that is near a grounded, non-GFCI, electrical outlet. **Do Not** use an extension cord or an adapter plug.
- If possible, place the refrigerator out of direct sunlight and away from the range, dishwasher, or other heat sources.
- The refrigerator must be installed on a floor that is level and strong enough to support a fully loaded refrigerator.
- Consider water supply availability for models equipped with an automatic ice maker.

## CAUTION

Do Not install the refrigerator where the temperature will drop below 55°F (13°C) or rise above 110°F (43°C). The compressor will not be able to maintain proper temperatures inside the refrigerator.

Do Not block the toe grille on the lower front of your refrigerator. Sufficient air circulation is essential for the proper operation of your refrigerator.

## Installation

- Allow the following clearances for ease of installation, proper air circulation, and plumbing and electrical connections:

Sides & Top	3/8 inch (9.5 mm)
Back	1 inch (25.4 mm)

## NOTE

If your refrigerator is placed with the door hinge side against a wall, you may have to allow additional space so the door can be opened wider.

## Door opening

## NOTE

The refrigerator doors are designed to shut by themselves within a 20 degree opening.

Your refrigerator should be positioned to allow easy access to a counter when removing food. For best use of refrigerator drawers and freezer baskets, the refrigerator should be in a position where both can be fully opened.

# INSTALLATION

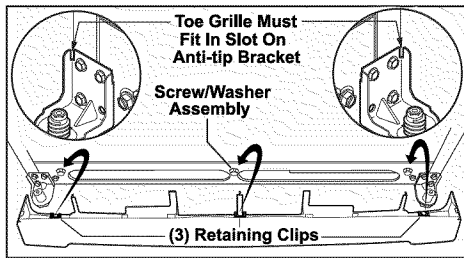
## Leveling Freezer Drawer (if necessary)

### NOTE

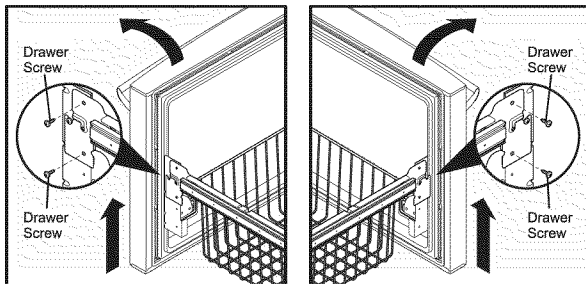
DO NOT remove center screw from freezer drawer. This is a factory adjustment.

To level the cabinet using the front rollers (select models):

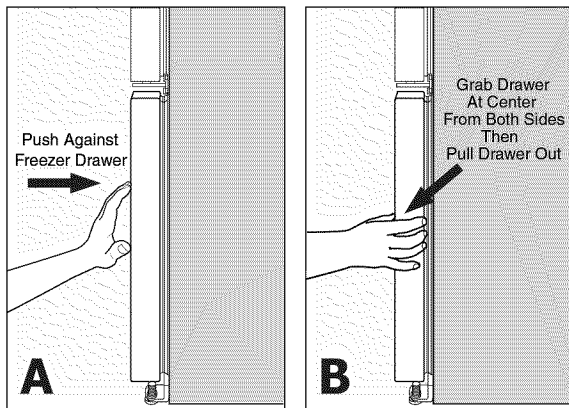
- 1 Slightly open freezer drawer. Lift the toe grille and gently pull forward (see illustration).



- 2 Check gasket seal around top, bottom, and sides of freezer drawer.
- 3 If gasket is not sealed, open drawer and slightly loosen four (4) drawer screws (two (2) on each side) to allow drawer to rotate.



- 4 Close drawer and recheck the seal on the gasket (A). Open the drawer grabbing by the sides in the center (B). Be careful not to rotate the drawer.



- 5 Tighten four (4) drawer screws.
- 6 Recheck gasket seal.
- 7 Install the toe grille by fitting into place.

## Level Refrigerator & Adjust Doors (if necessary)

Guidelines for final positioning of your refrigerator:

- All four corners of the cabinet must rest firmly on the floor.
- The sides should tilt  $\frac{1}{4}$  inch (6 mm) from front to back (to ensure that doors close and seal properly).
- Doors should align with each other and be level.

Most of these conditions can be met by raising or lowering the adjustable front rollers.

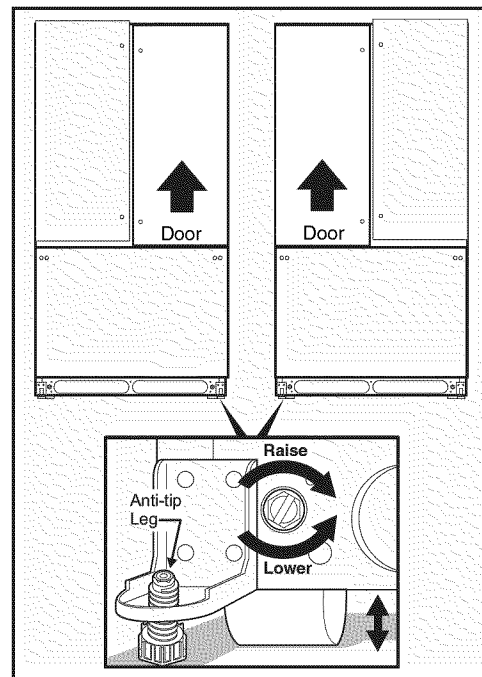
To level the cabinet using the front rollers:

- 1 You can raise or lower each door. use a  $\frac{3}{8}$  inch socket wrench to turn the adjustment screws (1 per side).

To raise: turn adjustment screw clockwise.

To lower: turn adjustment screw counterclockwise.

- 2 Ensure both doors are bind-free with their seals touching the cabinet on all four sides and that cabinet is stable.
- 3 After unit is leveled, lower anti-tip leg until it contacts the floor.

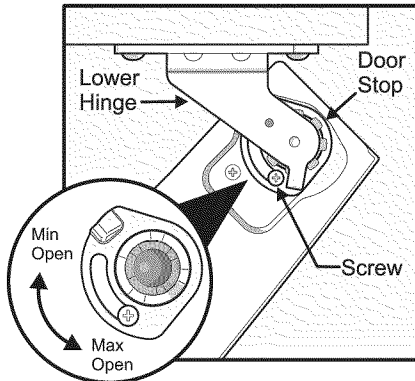


## To adjust the door stop:

Door stop is adjustable between 85 to 145 degrees.

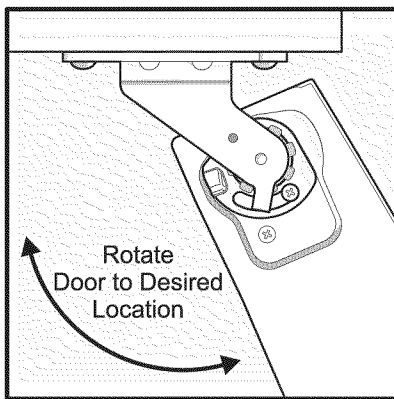
### NOTE

View shown is looking up at the bottom of the refrigerator door.



**Adjustable Door Stop**

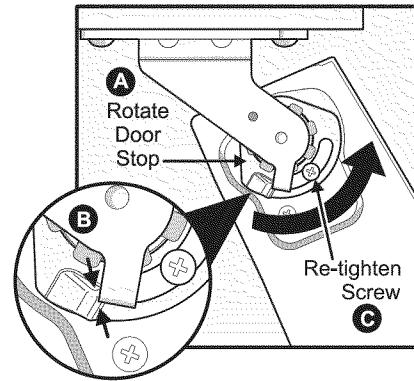
- 1 Open door to provide access to screw.
- 2 Loosen screw.
- 3 Adjust door to desired location.



**Adjusting Door**

- 4 Rotate door stop until it makes contact with the lower hinge.

- 5 Re-tighten screw.

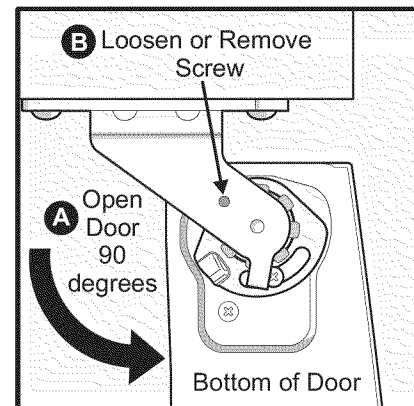


**Re-tighten Screw**

- 6 Ensure door stops in desired location before resuming normal use.

## To level the doors using the adjustable lower hinge (select models):

- 1 Remove all food items from door bins on door being adjusted.
- 2 Open doors to 90 degrees.
- 3 Loosen or remove screw.



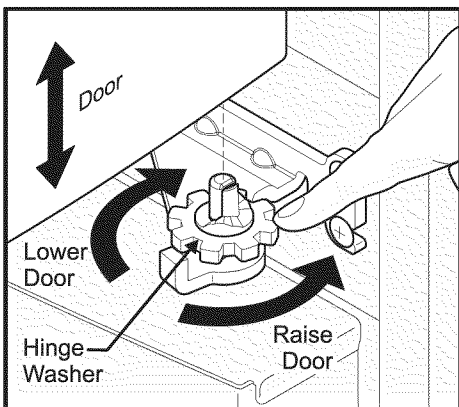
**Loosen/Remove Screw**

### NOTE

Adjustable hinge should only be used after doors have been leveled with rollers.

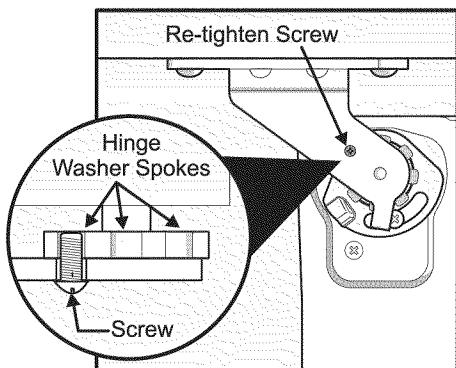
# INSTALLATION

- 4 Lift the door while adjusting the washer. To raise the door, rotate washer clockwise (when viewed from the bottom). To lower door, rotate washer counter-clockwise (when viewed from the bottom).



**Raising/Lowering Door**

- 5 Re-tighten the screw, ensuring it is between the spokes of the washer. Screw will not be tight, just insert until it is flush with the hinge.



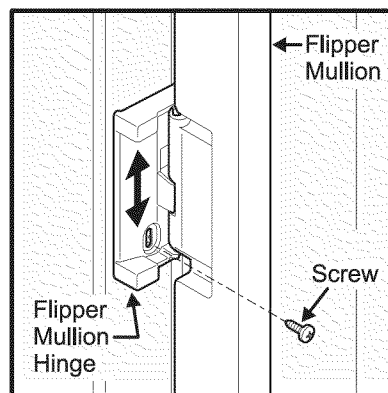
**Screw**

## **NOTE**

If after adjusting doors higher the door makes a popping/clicking sound, remove screw and replace with the longer one supplied in the handle package.

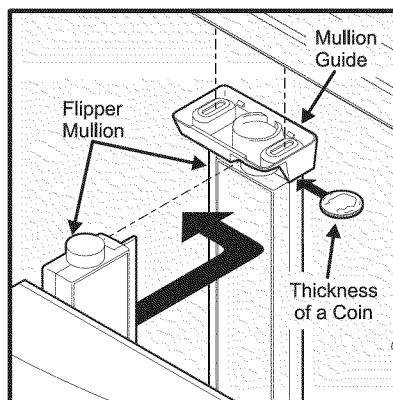
## To adjust the flipper mullion:

- 1 Loosen the screw located on the flipper mullion hinge.



**Adjusting Flipper Mullion Screw**

- 2 Adjust flipper mullion height. For proper connection with the flipper mullion guide, there should be a separation about the thickness of a coin (0.060 inches, or 1.5 mm) between the guide and flipper mullion.



**Adjusting Flipper Mullion Height**

- 3 Re-tighten screw.



# DOOR REMOVAL INSTRUCTIONS

## Getting through narrow spaces

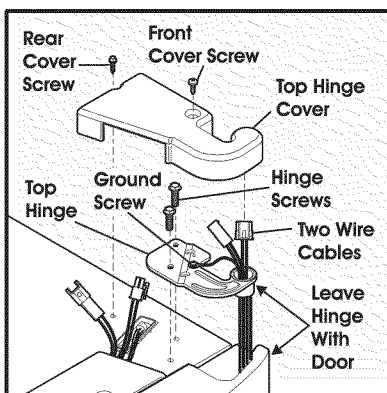
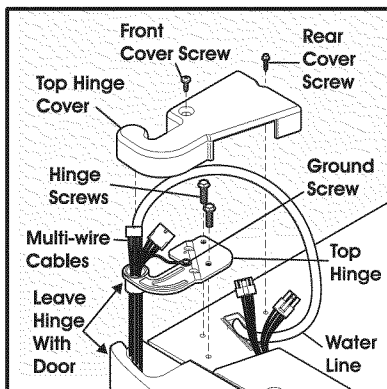
If your refrigerator will not fit through an entrance area, you can remove the doors. Check first by measuring the entrance.

### To prepare for removing the doors:

- 1 Make sure the electrical power cord is unplugged from the wall outlet.
- 2 Open the freezer drawer and remove the toe grille (see "Installation" section).
- 3 Remove any food from the door shelves and close the doors.

### To remove the top hinge covers:

- 1 Remove the two (2) screws from each cover over the top door hinges.
- 2 Lift inside edge of hinge cover and tilt back.

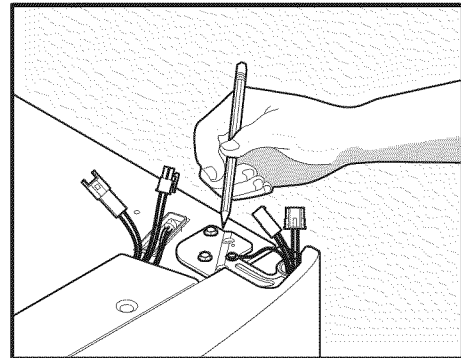


## NOTE

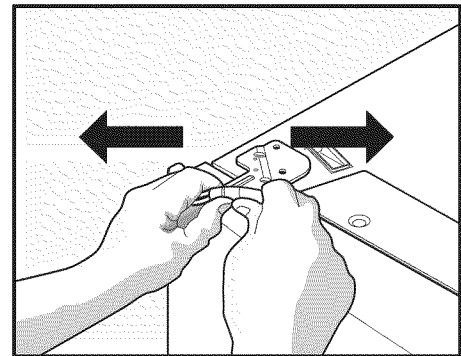
DO NOT remove the ground screw from hinge.

### To remove the refrigerator doors:

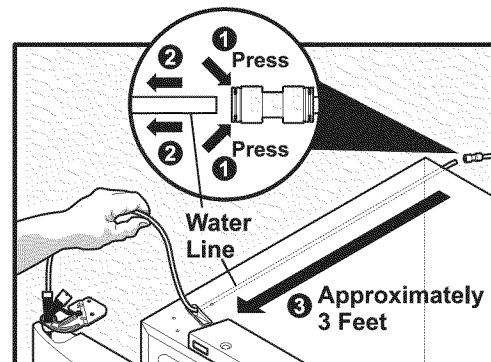
- 1 Trace lightly around the door's top hinges with a pencil. This makes reinstallation easier.



- 2 Disconnect the harness by grasping both sides of the connector firmly, depress the latch, and pull apart. Remove the two (2) screws from the top hinge. Lift the door off of the bottom hinge and set it aside.



- 3 Detach the water tube from the connector located behind the refrigerator and pull the tube back out to the front of the unit. The connector releases when you press inward on the outer sleeve while pushing the tube toward the connector then while continuing to hold in the sleeve, pull the tube away.



# DOOR REMOVAL INSTRUCTIONS

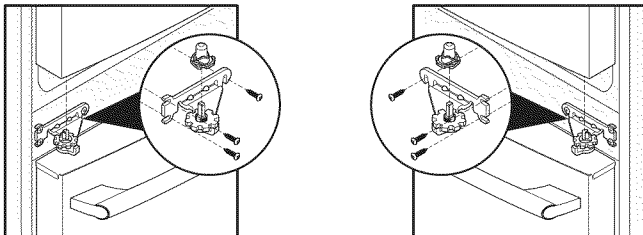
## NOTE

You will be pulling approximately three (3) feet of water tube from the back of the refrigerator.

- 4 Unscrew the three (3) lower hinge screws and hinge if necessary.

To reinstall the right door, reverse the above steps.

### Lower Hinge Removal



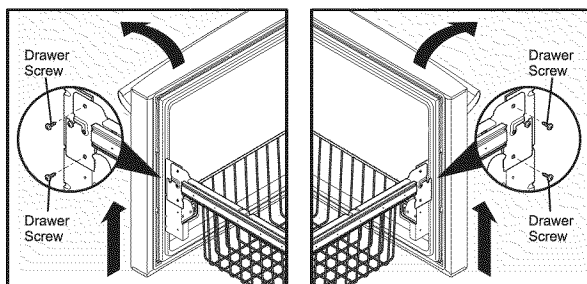
Once both doors are in place, ensure they are aligned with each other and level (Please see the "Installation" section for more details), and replace the top hinge cover.

## CAUTION

Be sure doors are set aside in a secure position where they cannot fall and cause personal injury, or damage to the doors or handles.

### Removing Freezer Drawer

- 1 Open freezer drawer.
- 2 Remove drawer screws on right and left sides (two (2) screws on each side).



## NOTE

DO NOT remove center screw from freezer drawer. This is a factory adjustment.

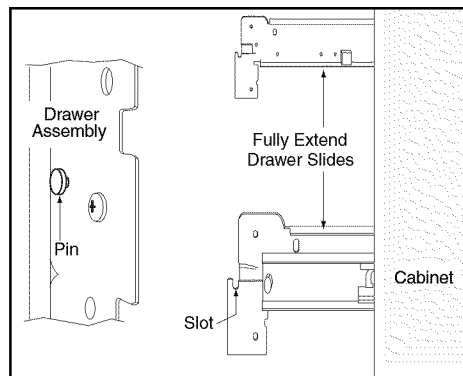
## CAUTION

Drawer is heavy. Use caution when lifting.

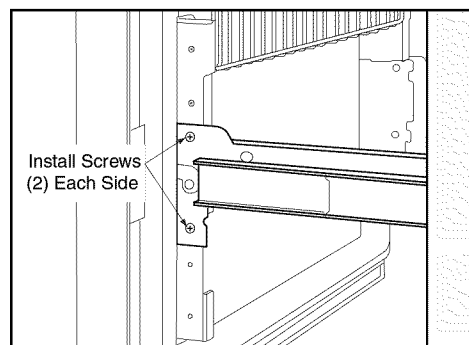
- 3 Lift drawer up and out to remove.

### Installing Freezer Drawer

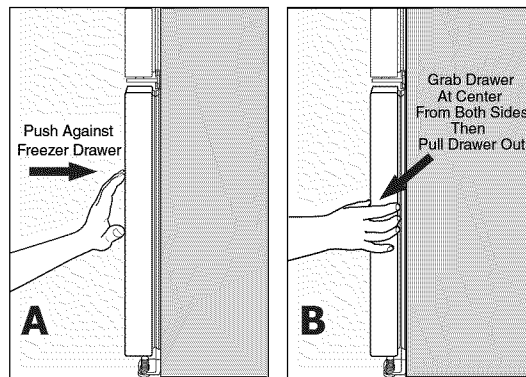
- 1 With lower slides pulled out, hang drawer onto side brackets ensuring pins on each side are fully inserted into slots on each side.



- 2 Reinstall four (4) drawer screws (two (2) per side), tighten down, and close drawer (C).



- 3 Check gasket seal around top, bottom, and sides of freezer drawer.
- 4 If gasket is not sealed, open drawer and slightly loosen four (4) drawer screws (two (2) on each side) to allow drawer to rotate.
- 5 Close drawer and recheck the seal on the gasket (A). Open the drawer grabbing by the sides in the center (B). Be careful not to rotate the drawer.



- 6 Tighten four (4) drawer screws.
- 7 Recheck gasket seal.
- 8 Install the toe grille by fitting into place.

## Door Handle Mounting Instructions for Frigidaire Gallery®

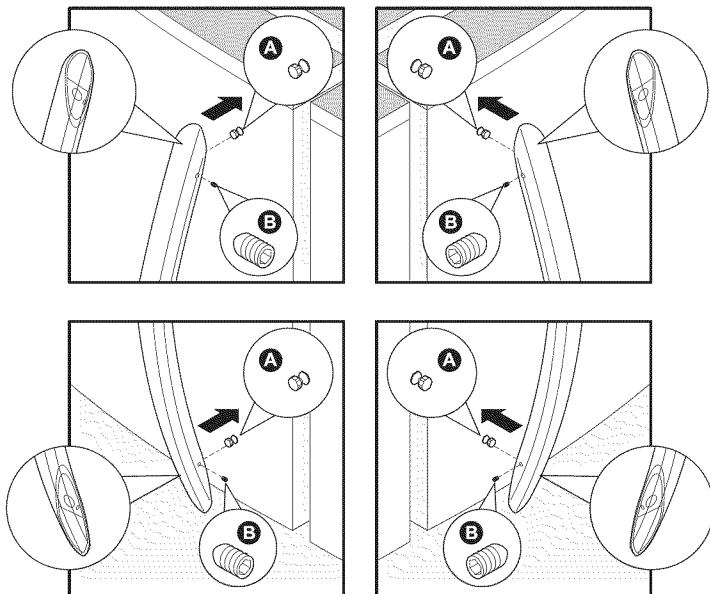
- 1 Remove handles from carton and any other protective packaging.
- 2 Position fresh food handle end over upper and lower pre-installed shoulder bolts (A) that are fastened into door, ensuring the holes for the set screws are facing towards the opposite door.
- 3 While holding handle firmly against door, fasten upper and lower Allen set screws (B) with supplied Allen wrench.
- 4 Repeat steps 2 and 3 to install opposite handle. Ensure the holes for the set screws are facing towards the first door.
- 5 Position freezer handle end over left and right pre-installed handle mounts that are fastened to the door, ensuring the holes for the set screws are facing down.
- 6 While holding handle firmly against door, loosely tighten far right Allen set screw (B) with supplied Allen wrench until there is no gap between handle and door.
- 7 Still holding the handle firmly to the door, firmly tighten far left Allen set screw (B) with supplied Allen wrench.
- 8 Return to the far right Allen set screw (B) and firmly tighten with supplied Allen wrench.

### NOTE

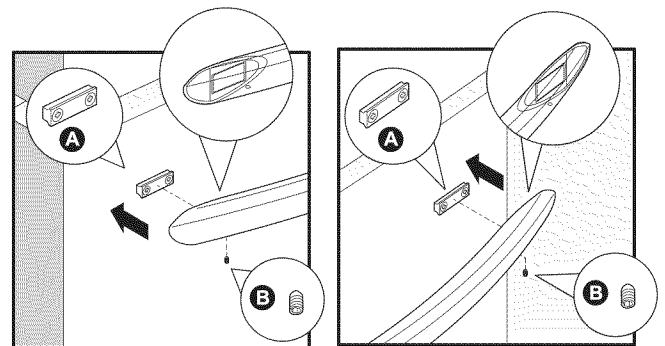
All set screws should be tightened so the screw is below the surface of the handle. The handles should be drawn tight to freezer and refrigerator doors with no gaps. Opening the opposite door while tightening the Allen screw makes installation easier.

The door handle may loosen over time or if it was installed improperly. If this happens, tighten the set screws on the handles.

#### Mounting Refrigerator Handles



#### Mounting Freezer Handle



## INSTALLING DOOR HANDLES

### Door Handle Mounting Instructions for Frigidaire Professional®

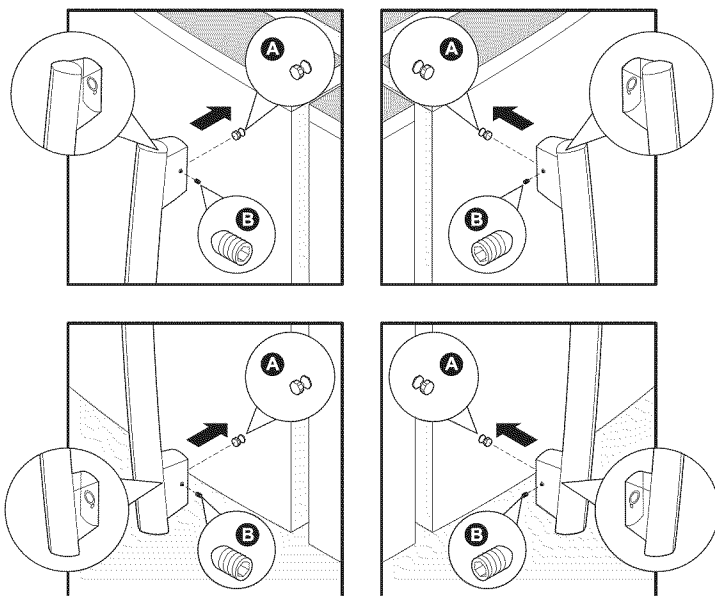
- 1 Remove handles from carton and any other protective packaging.
- 2 Position fresh food handle end over upper and lower pre-installed shoulder bolts (A) that are fastened into door, ensuring the holes for the set screws are facing towards the opposite door.
- 3 While holding handle firmly against door, fasten upper and lower Allen set screws (B) with supplied Allen wrench.
- 4 Repeat steps 2 and 3 to install opposite handle. Ensure the holes for the set screws are facing towards the first door.
- 5 Position freezer handle end over left and right pre-installed handle mounts that are fastened to the door, ensuring the holes for the set screws are facing down.
- 6 While holding handle firmly against door, loosely tighten far right Allen set screw (B) with supplied Allen wrench until there is no gap between handle and door.
- 7 Still holding the handle firmly to the door, firmly tighten far left Allen set screw (B) with supplied Allen wrench.
- 8 Return to the far right Allen set screw (B) and firmly tighten with supplied Allen wrench.
- 9 Firmly tighten the inside Allen set screws.

#### NOTE

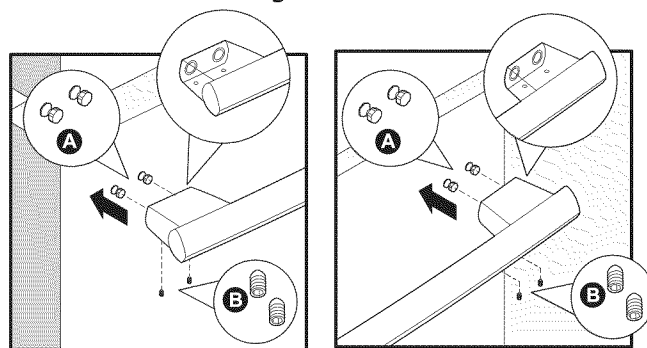
All set screws should be tightened so the screw is below the surface of the handle. The handles should be drawn tight to freezer and refrigerator doors with no gaps. Opening the opposite door while tightening the Allen screw makes installation easier.

The door handle may loosen over time or if it was installed improperly. If this happens, tighten the set screws on the handles.

#### Mounting Refrigerator Handles



#### Mounting Freezer Handle



# CONNECTING THE WATER SUPPLY

## ⚠ WARNING

To avoid electric shock, which can cause death or severe personal injury, disconnect the refrigerator from electrical power before connecting a water supply line to the refrigerator.

## ⚠ CAUTION

To Avoid Property Damage:

- **Copper or Stainless Steel braided tubing is recommended for the water supply line. Water supply tubing made of ¼ inch plastic is not recommended to be used. Plastic tubing greatly increases the potential for water leaks, and the manufacturer will not be responsible for any damage if plastic tubing is used for the supply line.**
- **DO NOT install water supply tubing in areas where temperatures fall below freezing.**
- **Chemicals from a malfunctioning softener can damage the ice maker. If the ice maker is connected to soft water, ensure that the softener is maintained and working properly.**

## ➔ IMPORTANT

Ensure that your water supply line connections comply with all local plumbing codes.

### Before Installing The Water Supply Line, You Will Need:

- Basic Tools: adjustable wrench, flat-blade screwdriver, and Phillips™ screwdriver
- Access to a household cold water line with water pressure between 30 and 100 psi.
- A water supply line made of ¼ inch (6.4mm) OD, copper or stainless steel tubing. To determine the length of tubing needed, measure the distance from the ice maker inlet valve at the back of the refrigerator to your cold water pipe. Then add approximately 7 feet (2.1 meters), so the refrigerator can be moved out for cleaning (as shown).
- A shutoff valve to connect the water supply line to your household water system. DO NOT use a self-piercing type shutoff valve.
- A compression nut and ferrule (sleeve) for connecting a copper water supply line to the ice maker inlet valve.

## 📌 NOTE

Check with your local building authority for recommendations on water lines and associated materials prior to installing your new refrigerator. Depending on your local/state building codes, Frigidaire recommends for homes with existing valves its Smart Choice® water line kit 5305513409 (with a 6 ft. Stainless Steel Water Line) and for homes without an existing valve, Frigidaire recommends its Smart Choice water® line kit 5305510264 (with a 20 ft. Copper Water Line with self-tapping saddle valve). Please refer to [www.frigidaire.com/store](http://www.frigidaire.com/store) for more information.

### To Connect Water Supply Line To Ice Maker Inlet Valve

1. Disconnect refrigerator from electric power source.
2. Place end of water supply line into sink or bucket. Turn ON water supply and flush supply line until water is clear. Turn OFF water supply at shutoff valve.
3. Remove plastic cap from water valve inlet and discard cap.
4. **If you use copper tubing** - Slide brass compression nut, then ferrule (sleeve) onto water supply line. Push water supply line into water valve inlet as far as it will go (¼ inch/6.4 mm). Slide ferrule (sleeve) into valve inlet and finger tighten compression nut onto valve. Tighten another half turn with a wrench; DO NOT over tighten. See Figure 1.
5. **If you use stainless steel tubing** - The nut and ferrule are already assembled on the tubing. Slide compression nut onto valve inlet and finger tighten compression nut onto valve. Tighten another half turn with a wrench; DO NOT over tighten. See Figure 2.
5. With steel clamp and screw, secure water supply line (copper tubing only) to rear panel of refrigerator as shown.
6. Coil excess water supply line (copper tubing only), about 2½ turns, behind refrigerator as shown and arrange coils so they do not vibrate or wear against any other surface.
7. Turn ON water supply at shutoff valve and tighten any connections that leak.
8. Reconnect refrigerator to electrical power source.

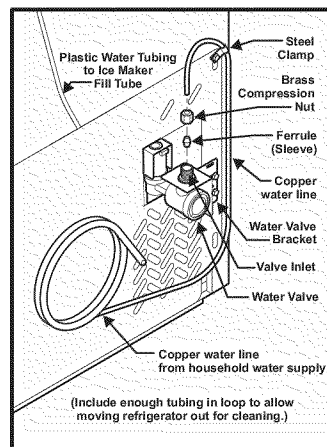


Figure 1

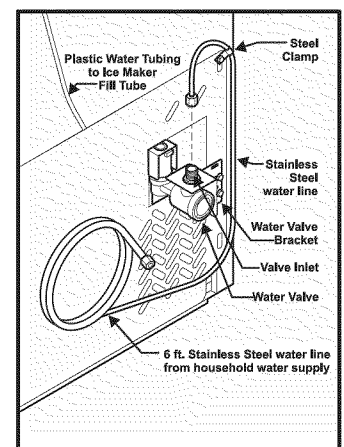


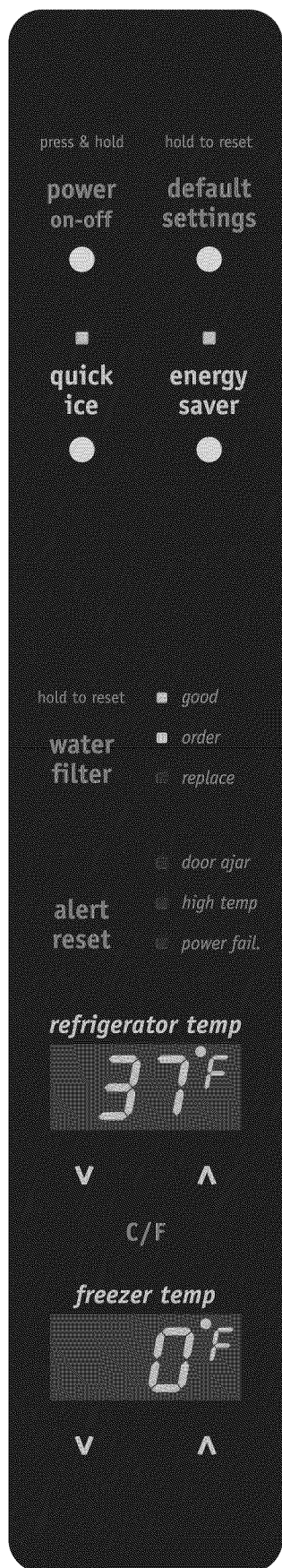
Figure 2

## ➔ IMPORTANT

After connecting the water supply, refer to "How to Prime the Water Supply System" for important information about priming an empty water supply system.

Your refrigerator's water supply system includes several tubing lines, a water filter, a water valve, and a water tank. To ensure that your water dispenser works properly, this system must be completely filled with water when your refrigerator is first connected to the household water supply line.

# CONTROLS



## IQ-Touch™

A red indicator light will be illuminated above most active features.

Touch the icon to activate the options below.

- quick ice** Increases the production of ice
- water filter** Press and hold for three (3) seconds to reset after filter change.
- C/F** Touch to toggle display from Fahrenheit to Celsius.
- default settings** Resets all refrigerator settings such as temp, temp display and tones to their factory default settings.
- Power on-off** Press and hold for three (3) seconds to turn off the cooling system to clean the refrigerator. It also turns off the ice maker. The temperature displays will read OFF.
- Energy Saver** Keep this switch set on **energy saver** (light on) for lowest energy usage. If moisture appears on the cabinet between the doors, pressing this button will turn the light off and enable an electric heater used to reduce moisture on the cabinet between the doors.

### ➔ IMPORTANT

Pressing the **system on-off** icon does not turn off power to your refrigerator. You must unplug the power cord from the wall outlet.

### Setting cooling temperatures

Press the “^” or “v” indicator to adjust the temperature to the desired setting.

The temperature display will begin to blink with the first touch. The display will time out after 10 seconds and return to the basic display.

### Alarms

**Door Ajar** If the door has been left open for an extended period of time, an alarm will sound and the door ajar indicator will display on the bottom display of the control panel. The alarm is turned off by closing the door. The mute sounds key will blink to prompt the reset of any active alarms. Press this key to reset any system alarms.

**High Temp** In the event of a high temperature condition, the temperature display will blink and display “HI”. After 20 minutes, the alarm will sound and the **high temp** indicator will be red on the bottom of the control panel. The **mute sounds** icon will illuminate until pressed, acknowledging the alarm, at which time the highest temperature reached will be displayed and the refrigerator will resume normal operation. In case the high temp alarm is not acknowledged at the first alarm sound time out, when the door is first opened, the alarm sound will be repeated.

**Power Fail** In the event of a power failure, the **power fail** alert will be displayed and the temperature display will blink until the **mute sounds** icon is pressed, acknowledging the alarm. Other modes may be turned off until the alarm is acknowledged. The **power fail** alert is turned off and the refrigerator will resume normal operation. **The high temp alarm may also be illuminated until a safe operating range temperature has been reached.**

## **IQ-Touch™ “Sabbath Mode”**

The Sabbath Mode is a feature that disables portions of the refrigerator and its controls in accordance with observance of the weekly Sabbath and religious holidays within the Orthodox Jewish community.

Sabbath Mode is turned ON and OFF by pressing and holding both the freezer “∨” and refrigerator “∧” indicators for five (5) seconds. The display shows “Sb” while in Sabbath mode.

In the Sabbath Mode, the High Temp alarm is active for health reasons. If a high temperature alarm is activated during this time, for example due to a door left ajar, the alarm will sound intermittently for about 10 minutes. The alarm will then silence on its own and a red high temperature icon will display. The high temp icon will continue to display, even if the door is closed, until the Sabbath mode is exited and the icon reset. The refrigerator will function normally once the door is closed, without any violation of the Sabbath/Holidays.

For further assistance, guidelines for proper usage and a complete list of models with the Sabbath feature, please visit the web at <http://www.star-k.org>.



### **NOTE**

While in Sabbath Mode, neither the lights nor the control panel will work until Sabbath Mode is deactivated.

Refrigerator stays in Sabbath Mode after power failure recovery. It must be deactivated with the buttons on the control panel.

# AUTOMATIC ICE MAKER

## Ice maker operation & care

After the refrigerator is installed properly, the ice maker can produce ice within 24 hours. It can completely fill an ice bin in about three (3) days.

When using the ice maker for the first time and in order for the ice maker to work properly, it is necessary to clear air from water filter tubing. Once ice maker begins making ice, allow the bucket to fill completely, then discard the first TWO (2) FULL buckets of ice. It will take at least two (2) days to completely fill the bucket on regular ice making mode or 1 1/2 days on fast ice mode.

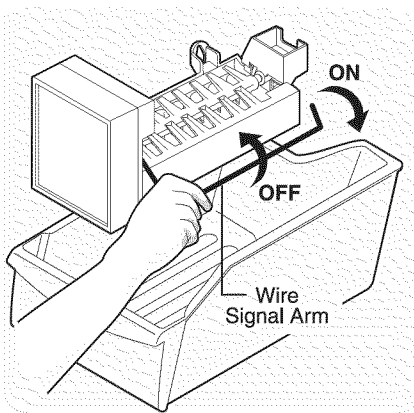
The ice maker produces approximately four (4) pounds of ice every 24 hours depending on usage conditions.

### ➔ IMPORTANT

Your ice maker is turned on at the factory so it can work as soon as you install your refrigerator. If you cannot connect a water supply, lift the ice maker's wire signal arm to turn it off. Otherwise, the ice maker's fill valve may make a loud chattering noise when it attempts to operate without water.

## Turning the ice maker on and off

Ice production is controlled by lifting/lowering the ice maker's **wire signal arm**. To gain access to the ice maker, pull the freezer drawer out. Lift the wire signal arm to turn the ice maker OFF and lower the wire signal arm to turn it ON.



## Ice maker tips

- If your refrigerator is not connected to a water supply or the water supply is turned off, turn off the ice maker by lifting wire signal arm.

- The following sounds are normal when the ice maker is operating:
  - Motor running
  - Ice dropping into ice bin
  - Water valve opening or closing
  - Running water
- Ice cubes stored too long may develop an odd flavor. Empty the ice bin as explained below.

## Quick Ice Function

Your refrigerator is equipped with a Quick Ice Function, that increases ice production. This function terminates automatically.

## Cleaning the ice maker

### ⚠ CAUTION

If the water supply to your refrigerator is softened, be sure the softener is properly maintained. Chemicals from a water softener can damage the ice maker.

Clean the ice maker and ice bin at regular intervals, especially prior to vacation or moving.

- 1 Turn off the ice maker.
- 2 Remove the ice bin.
- 3 Empty and carefully clean the ice bin with mild detergent. Do not use harsh or abrasive cleaners. Rinse with clean water.
- 4 Allow the ice bin to dry completely before replacing in the freezer.
- 5 Replace the ice bin. Turn the ice maker on.

Remove and empty the ice bin if:

- An extended power failure (one hour or longer) causes ice cubes in the ice bin to melt and freeze together.

Remove the ice bin and shake to loosen the cubes or clean as explained above.

### ⚠ CAUTION

NEVER use an ice pick or similar sharp instrument to break up the ice. This could damage the ice bin and dispenser mechanism.

To loosen stuck ice, use warm water. Before replacing the ice bin, make sure it is completely dry.



## CAUTION

To avoid injury from breakage, handle tempered glass shelves carefully.

## NOTE

Features may vary according to model.

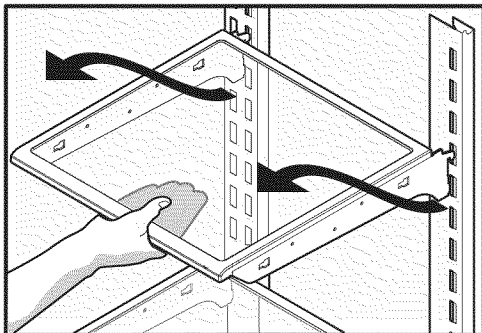
Your refrigerator includes SpillSafe™ glass shelves that are designed to catch and hold accidental spills.

You can easily adjust shelf positions in the fresh food compartments to suit your needs. The shelves have mounting brackets that attach to slotted supports at the rear of each compartment.

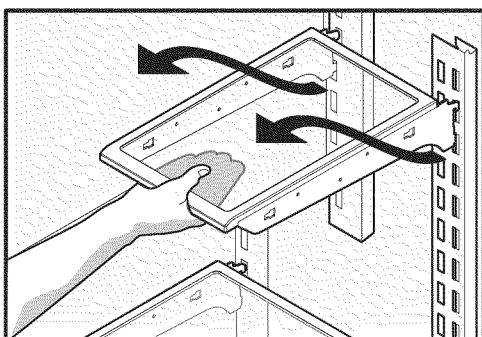
### To change the position of a shelf:

- 1 Before adjusting a shelf, remove all food.
- 2 Lift the front edge up and pull the shelf out.
- 3 Replace by inserting the mounting bracket hooks into the desired support slots.
- 4 Lower the shelf and lock into position.

## Shelf features



Full SpillSafe™ Shelf



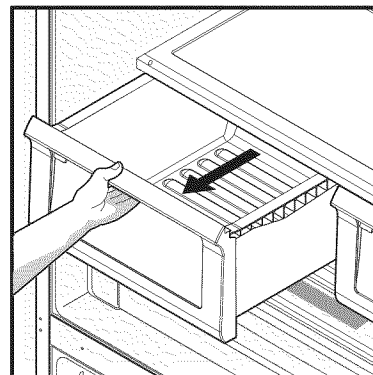
Half SpillSafe™ Shelf

## Drawers

Your refrigerator includes a variety of storage drawers. These drawers are located in fixed positions at the bottom of the fresh food compartment.

## Crispers

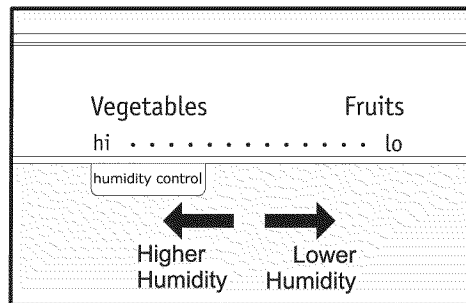
Crisper drawers are designed for storing fruits, vegetables, and other fresh produce.



Opening Crisper Drawer

### Crisper humidity control

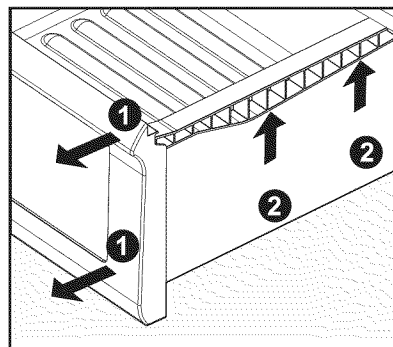
Crisper drawers include a sliding control for adjusting the humidity inside the crisper. Leafy vegetables keep best when stored with the Humidity Control set on Higher Humidity. Fresh fruits keep best when stored with the Humidity Control set on Lower Humidity.



Adjusting Crisper Humidity

### To remove the Crisper Drawer for cleaning:

- 1 Pull the drawer out until it stops.
- 2 Lift the front slightly and remove the drawer.

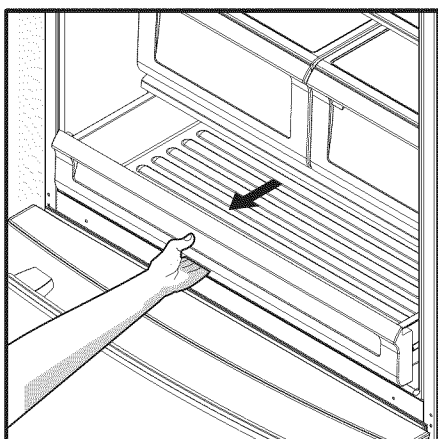


Removing Crisper Drawer

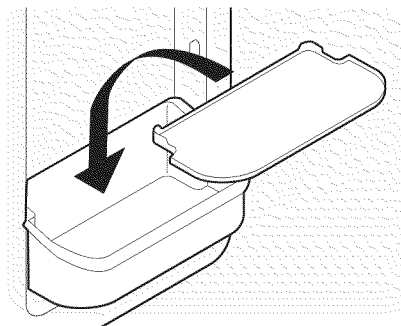
## STORAGE FEATURES

### Deli drawer

Ideal for storage of deli meats and cheese.



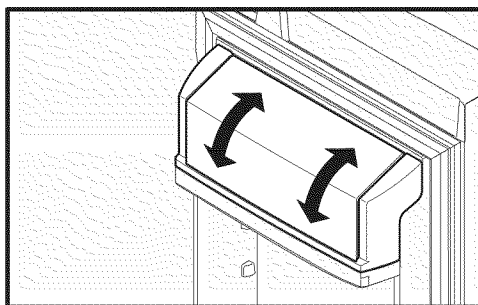
6 Place bin liner into bin.



### Accessories (varies by model)

#### Dairy compartment

Use the dairy compartment, at the top of the fresh food compartment door, for short-term storage of cheese, spreads, or butter. The dairy compartment is designed to be warmer than the open area and includes a lift-up cover and a dairy divider (select models).



Dairy Compartment

### Doors

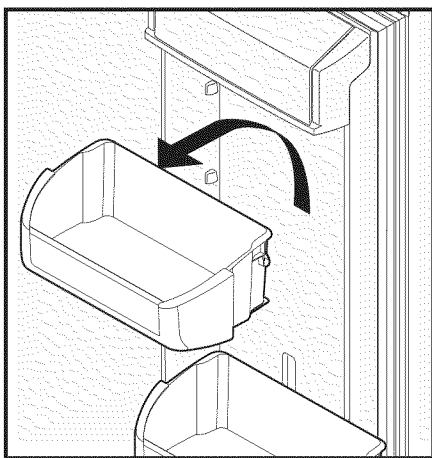
#### Storage bins

The doors to your fresh food compartment use a system of modular storage bins. All of these bins are removable for easy cleaning. Some of them have fixed positions, while others can be adjusted to your needs.

Door bins are ideal for storing jars, bottles, cans, and large drink containers. They also enable quick selection of frequently used items.

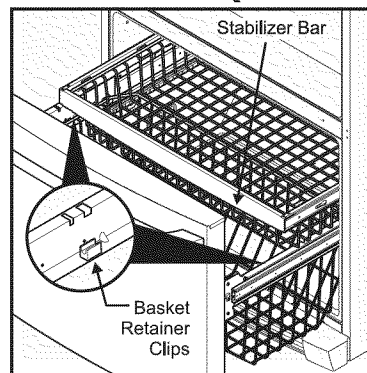
#### To change the position of an adjustable door bin:

- 1 Before adjusting a bin, remove all food.
- 2 Grip the bin firmly with both hands and lift it upward.
- 3 Remove the bin.
- 4 Place the bin just above desired position.
- 5 Lower the bin onto supports until locked in place.



Adjustable Door Bin

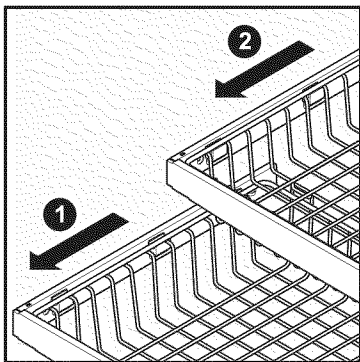
### Freezer Features (varies by model)



Two Freezer Baskets

## To Remove Upper Basket

- 1 Remove all items from basket.
- 2 Remove basket by pulling baskets out to their full extension and lift out.



**Removing Upper Basket**

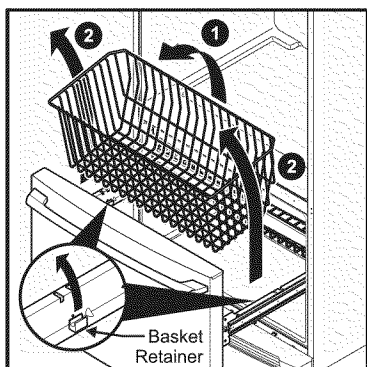
To reinstall upper basket, position basket onto the retainer clips making sure the front of the basket rests in the retainer clips on the stabilizer bar.

### **NOTE**

If basket is not resting on stabilizer bar retainer clips, the drawer will not close properly.

## To Remove Lower Basket

- 1 Remove all items from basket.
- 2 Remove the basket by tilting it forward and lifting it from the retainer clips.

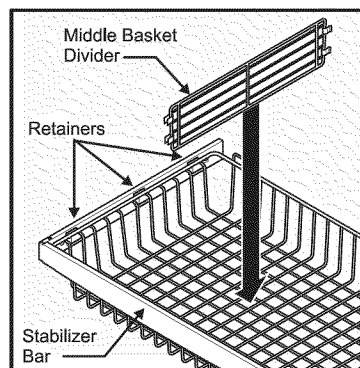


**Removing Lower Basket**

To reinstall lower basket, insert basket into retainer clips.

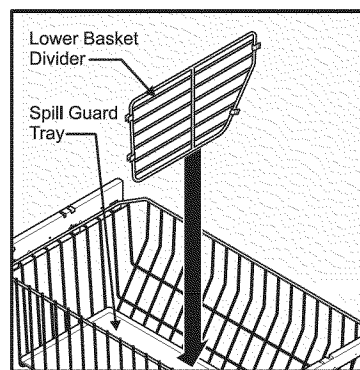
## Dividers Removal

Lift up on the front of the middle divider and pull out.



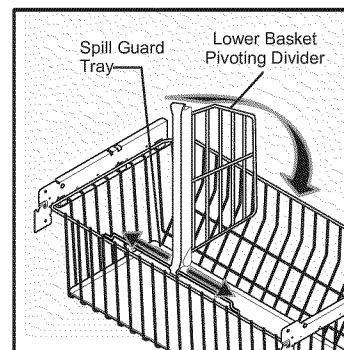
**Middle Basket Divider**

Lift up on the rear of the lower divider and pull out.



**Lower Basket Divider & Spill Guard Tray**

To reposition the pivoting divider (some models), lift up and slide to desired location. The pivoting divider is not designed to be removed .



**Lower Basket Pivoting Divider (some models)**

### **NOTE**

Spill Guard Tray should be hand washed in warm water.

# STORING FOOD AND SAVING ENERGY

## Ideas for storing foods

### Fresh food storage

- Keep the fresh food compartment between 34° F and 40° F with an optimum temperature of 37° F.
- Avoid overcrowding the refrigerator shelves, which reduces air circulation and causes uneven cooling.

### Fruits and vegetables

- Store fruits and vegetables in crisper drawers, where trapped moisture helps preserve food quality for longer time periods.
- Wash items and remove excess water.
- Wrap any items that have strong odors or high moisture content.

### Meat

- Wrap raw meat and poultry separately and securely to prevent leaks and contamination of other foods or surfaces.
- Use the deli drawer to store meat/poultry for short-term storage. Any meat to be kept longer than two (2) days should be frozen.

### Frozen food storage

- Keep the freezer compartment at 0° F or lower.
- A freezer operates most efficiently when it is at least  $\frac{2}{3}$  full.

### Packaging foods for freezing

- To minimize food dehydration and quality deterioration, use aluminum foil, freezer wrap, freezer bags, or airtight containers. Force as much air out of the packages as possible and seal them tightly. Trapped air can cause food to dry out, change color, and develop an off-flavor (freezer burn).
- Wrap fresh meats and poultry with suitable freezer wrap prior to freezing.
- Do not refreeze meat that has completely thawed.

### Loading the freezer

- Prior to grocery shopping, activate "quick freeze" so that on your return you can ensure your newly purchased food designated for the freezer will be preserved as quickly as possible.
- Activating "quick freeze" also will help your freezer more efficiently maintain the selected temperature after placing new purchases with pre-existing frozen foods.

- Avoid adding too much warm food to the freezer at one time. This overloads the freezer, slows the rate of freezing, and can raise the temperature of frozen foods.
- Leave a space between packages, so cold air can circulate freely, allowing food to freeze as quickly as possible.

## Ideas for saving energy

### Installation

- Locate the refrigerator in the coolest part of the room, out of direct sunlight, and away from heating ducts or registers.
- Do not place the refrigerator next to heat-producing appliances such as a range, oven, or dishwasher. If this is not possible, a section of cabinetry or an added layer of insulation between the two (2) appliances will help the refrigerator operate more efficiently.
- Level the refrigerator so that the doors close tightly.

### Temperature settings

- Refer to the "Controls" section for procedures on temperature settings.

### Food storage

- Avoid overcrowding the refrigerator or blocking cold air vents. Doing so causes the refrigerator to run longer and use more energy.
- Cover foods and wipe containers dry before placing them in the refrigerator. This cuts down on moisture build-up inside the unit.
- Organize the refrigerator to reduce door openings. Remove as many items as needed at one time and close the door as soon as possible.
- Do not place a hot container directly on a cold shelf. Remember, such an extreme temperature change may damage the glass.

## NORMAL OPERATING SOUNDS AND SIGHTS

### Understanding the sounds you may hear

Your new, high-efficiency refrigerator may introduce unfamiliar sounds. These sounds normally indicate your refrigerator is operating correctly. Some surfaces on floors, walls, and kitchen cabinets may make these sounds more noticeable.

The following is a list of major components in your refrigerator and the sounds they can cause:

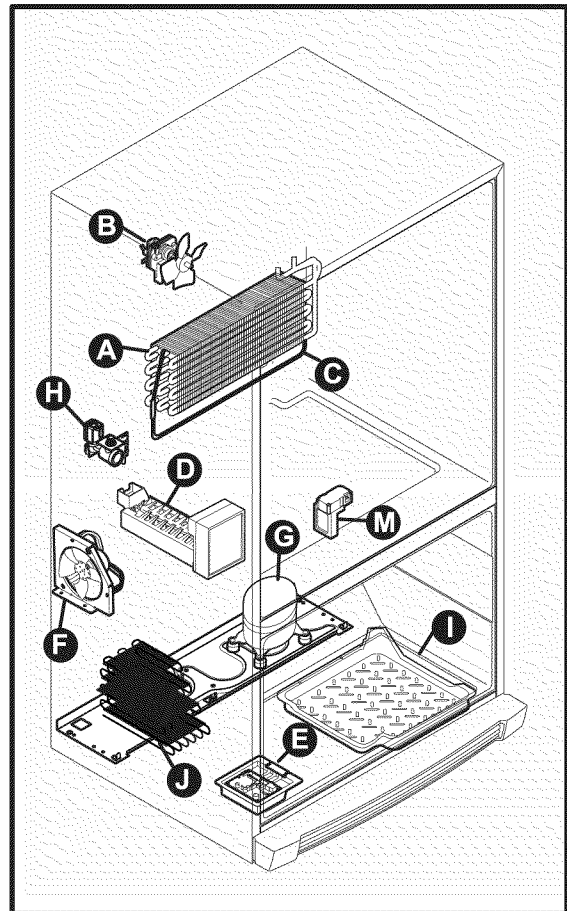
- A Evaporator** Refrigerant through the evaporator may create a boiling or gurgling sound.
- B Evaporator fan** You may hear air being forced through the refrigerator by the evaporator fan.
- C Defrost heater** During defrost cycles, water dripping onto the defrost heater may cause a hissing or sizzling sound. After defrosting, a popping sound may occur.
- D Automatic ice maker** When ice has been produced, you will hear ice cubes falling into the ice bin. Ice maker fan, water valve activation, and refrigerant gas fluid may create sounds from its operation.
- E Electronic control & automatic defrost control** These parts can produce a snapping or clicking sound when turning the cooling system on and off.
- F Condenser fan** You may hear air being forced through the condenser.
- G Compressor** Modern, high-efficiency compressors run much faster than older models. The compressor may have a high-pitched hum or pulsating sound.
- H Water valve** Makes a buzzing sound each time it opens to fill the ice maker.
- I Drain pan (not removable)** You may hear water dripping into the drain pan during the defrost cycle.
- J Condenser** May create minimal sounds from forced air.
- M Motorized damper** May produce a light humming during operation.

#### NOTE

Energy efficient foam in your refrigerator is not a sound insulator.

#### NOTE

During automatic defrost cycle, a red glow in the back wall vents of your freezer compartment is normal.



## CHANGING THE FILTER

### Locating the Filters

Your refrigerator is equipped with water filtering system. The water filter system filters all dispensed drinking water, as well as the water used to produce ice.

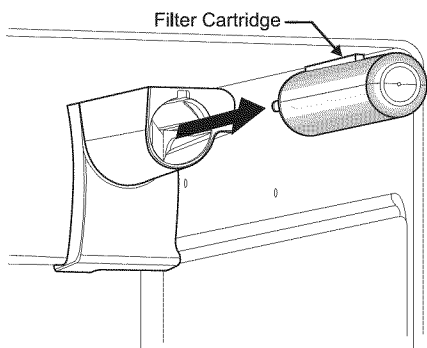
### Water Filter

The water filter is located at the top right side of the fresh food compartment.

### Replacing the Water Filter

In general, you should change the water filter every six months to ensure the highest possible water quality. The **Water Filter Status** light on the user interface prompts you to replace the filter after a standard amount of water (200 gallons/757 liters for **PureSource Ultra™**) has flowed through the system. The water filter status light on this model is not performance tested or certified by NSF.

If your refrigerator has not been used for a period of time (during moving for example), change the filter before reinstalling the refrigerator.



### Ordering Replacement Filters

To order your replacement filters, please visit our online store at [www.frigidaire.com/store](http://www.frigidaire.com/store), by calling toll-free at 877-808-4195, or by visiting the dealer where you purchased your refrigerator. Frigidaire recommends that you order extra filters when you first install your refrigerator, and that you replace your filters at least once every six months.

Here is the product number to request when ordering:

**PureSource Ultra™** Water Filter  
Part #**ULTRAWF**

### More about your Advanced Water Filter



The **PureSource Ultra™** ice and water filter system is tested and certified to NSF/ANSI Standards 42 and 53 for the reduction of claims specified on the performance data sheet.

Do not use with water that is microbiologically unsafe or of unknown quality without adequate disinfection before or after the system. Systems certified for cyst reduction may be used on disinfected waters that may contain filterable cysts.

### Test & certification results:

- Rated Capacity - 200 gallons/757 liters for **PureSource Ultra™** ice and water filter
- Rated service flow - .50 gallons per minute
- Operating Temp.: Min. 33°F, Max. 100°F
- Maximum Rated Pressure - 100 pounds per square inch
- Recommended Minimum Operating Pressure: 30 pounds per square inch

### To replace your PureSource Ultra™ water filter:

It is not necessary to turn the water supply off to change the filter. Be ready to wipe up any small amounts of water released during the filter replacement.

- 1 Turn **Off** the ice maker by raising the wire signal arm.
- 2 Remove the filter by pushing on the end/face of the filter.
- 3 Slide the old water filter cartridge straight out of the housing and discard it.
- 4 Unpackage the new filter cartridge. Using the alignment guide, slide it gently into the filter housing until it stops against the snap-in connector at the back of the housing.
- 5 **Push firmly until the cartridge snaps into place (you should hear a click as the cartridge engages the snap-in connector).**
- 6 Turn **On** the ice maker by lowering the wire signal arm.
- 7 Press and hold the **Water Filter** button on the Ice & Water Dispenser control panel for three seconds. When the display changes from **Red** to **Green**, the status has been reset.
- 8 After replacing the water filter and in order for the ice maker to work properly, it is necessary to clear air from water filter tubing. Once ice maker begins making ice, allow the bucket to fill completely, then discard the first **TWO FULL** buckets of ice. It will take at least two days to completely fill the bucket on regular ice making mode or 1 1/2 days on fast ice mode.

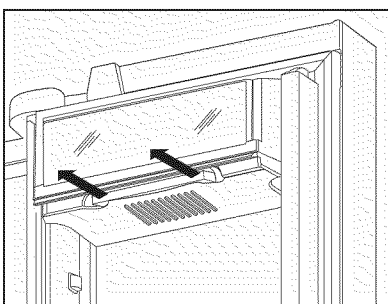
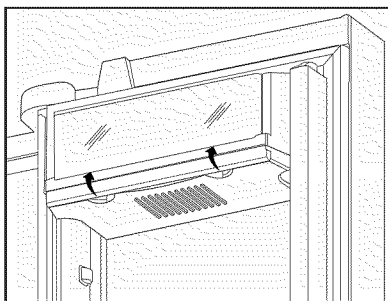
## Air filter

The air filter is located under the utility bin.

### Replacing your PureAdvantage™ air filter

To ensure optimal filtering of refrigerator odors, you should change the air filter every six (6) months (the filter status light on the Touch Panel prompts you to replace the filter after six (6) months).

- 1 Open the air filter door.
- 2 Remove the old filter and discard it.
- 3 Unpack the new filter and slide it into the housing.
- 4 To close the air filter door, push the top and bottom to lock the door closed.
- 5 Press and hold the **Air Filter Reset** button on the control panel for three (3) seconds. When the display changes from "**Replace**" to "**Good**," the status has been reset.
- 6 The **Air Filter Reset** will turn itself off after a few seconds.



### Ordering replacement filters

Order new filters by calling 877-808-4195, online at [www.frigidaire.com/store](http://www.frigidaire.com/store), or through the dealer where you bought your refrigerator. You may want to consider ordering extra filters when you first install your refrigerator.

Air Filter Replacement cartridge, part #**PAULTRA**

## CARE & CLEANING

### Protecting your investment

Keeping your refrigerator clean maintains its appearance and prevents odor build-up. Wipe up any spills immediately and clean the freezer and fresh food compartments at least twice a year.

#### NOTE

Do not use abrasive cleaners such as window sprays, scouring cleansers, flammable fluids, cleaning waxes, concentrated detergents, bleaches, or cleansers containing petroleum products on plastic parts, interior doors, gaskets, or cabinet liners. Do not use paper towels, scouring pads, or other abrasive cleaning materials.

- Never use metallic scouring pads, brushes, abrasive cleaners, or strong alkaline solutions on any surface.
- Never use CHLORIDE or cleaners with bleach to clean stainless steel.
- Do not wash any removable parts in a dishwasher.
- Always unplug the electrical power cord from the wall outlet before cleaning.

#### NOTE

If you set your temperature controls to turn off cooling, power to lights and other electrical components will continue until you unplug the power cord from the wall outlet.

- Remove adhesive labels by hand. Do not use razor blades or other sharp instruments which can scratch the appliance surface.
- Do not remove the serial plate. Removal of your serial plate voids your warranty.
- Before moving your refrigerator, raise the anti-tip brackets so the rollers will work correctly. This will prevent the floor from being damaged.

#### CAUTION

- Pull the refrigerator straight out to move it. Shifting it from side to side may damage flooring. Be careful not to move the refrigerator beyond the plumbing connections.
- Damp objects stick to cold metal surfaces. Do not touch refrigerated surfaces with wet or damp hands.

#### IMPORTANT

If you store or move your refrigerator in freezing temperatures, be sure to completely drain the water supply system. Failure to do so could result in water leaks when the refrigerator is put back into service. Contact a service representative to perform this operation.

Refer to the guide on the next page for details on caring and cleaning specific areas of your refrigerator.



## Care and cleaning tips

Part	Cleaning Agents	Tips and Precautions
Interior & Door Liners	<ul style="list-style-type: none"> <li>• Soap and water</li> <li>• Baking soda and water</li> </ul>	<ul style="list-style-type: none"> <li>• Use two (2) tablespoons of baking soda in one (1) quart of warm water.</li> <li>• Be sure to wring excess water out of sponge or cloth before cleaning around controls, light bulb or any electrical part.</li> </ul>
Door Gaskets	<ul style="list-style-type: none"> <li>• Soap and water</li> </ul>	<ul style="list-style-type: none"> <li>• Wipe gaskets with a clean soft cloth.</li> </ul>
Drawers & Bins	<ul style="list-style-type: none"> <li>• Soap and water</li> </ul>	<ul style="list-style-type: none"> <li>• Use a soft cloth to clean drawer runners and tracks.</li> <li>• Do not wash any removable items (bins, drawers, etc.) in dishwasher.</li> </ul>
Glass Shelves	<ul style="list-style-type: none"> <li>• Soap and water</li> <li>• Glass cleaner</li> <li>• Mild liquid sprays</li> </ul>	<ul style="list-style-type: none"> <li>• Allow glass to warm to room temperature before immersing in warm water.</li> </ul>
Toe Grille	<ul style="list-style-type: none"> <li>• Soap and water</li> <li>• Mild liquid sprays</li> <li>• Vacuum</li> </ul>	<ul style="list-style-type: none"> <li>• Remove toe grille (see Installation Instructions).</li> <li>• Vacuum both sides and wipe with sudsy cloth or sponge. Rinse and dry.</li> </ul>
Exterior & Handles	<ul style="list-style-type: none"> <li>• Soap and water</li> <li>• Non abrasive glass cleaner</li> </ul>	<ul style="list-style-type: none"> <li>• Do not use commercial household cleaners containing ammonia, bleach or alcohol to clean handles.</li> <li>• Use a soft cloth to clean smooth handles.</li> <li>• Do not use a dry cloth to clean smooth doors.</li> </ul>
Exterior & Handles (Stainless Steel Models Only)	<ul style="list-style-type: none"> <li>• Soap and water</li> <li>• Stainless steel cleaners</li> </ul>	<ul style="list-style-type: none"> <li>• Never use CHLORIDE or cleaners with bleach to clean stainless steel.</li> <li>• Clean stainless steel front and handles with non-abrasive soapy water and a dishcloth. Rinse with clean water and a soft cloth.</li> <li>• Use a non-abrasive stainless steel cleaner. These cleaners can be purchased at most home improvement or major department stores. Always follow manufacturer's instruction. Do not use household cleaners containing ammonia or bleach.</li> <li>• NOTE: Always clean, wipe and dry with grain to prevent scratching.</li> <li>• Wash the rest of the cabinet with warm water and mild liquid detergent. Rinse well and wipe dry with a clean soft cloth.</li> </ul>

## Vacation and moving tips

Occasion	Tips
Short Vacations	<ul style="list-style-type: none"> <li>• Leave refrigerator operating during vacations of three (3) weeks or less.</li> <li>• Use all perishable items from refrigerator compartment.</li> <li>• Turn automatic ice maker off and empty ice bucket, even if you will only be gone a few days.</li> </ul>
Long Vacations	<ul style="list-style-type: none"> <li>• Remove all food and ice if you will be gone one (1) month or more.</li> <li>• Turn the cooling system off (see "Controls" section for location of On/Off button) and disconnect power cord.</li> <li>• Turn water supply valve to closed position.</li> <li>• Clean interior thoroughly.</li> <li>• Leave both doors open to prevent odors and mold build-up. Block doors open if necessary.</li> </ul>
Moving	<ul style="list-style-type: none"> <li>• Remove all food and ice.</li> <li>• If using a handcart, load from the side.</li> <li>• Adjust rollers all the way up to protect them during sliding or moving.</li> <li>• Pad cabinet to avoid scratching surface.</li> </ul>

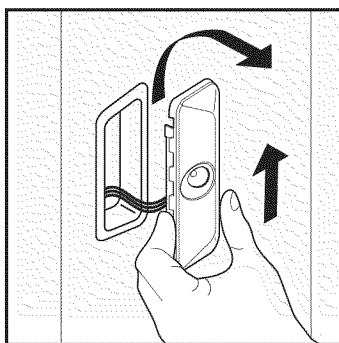
## CARE & CLEANING

### Replacing LED Lights (select models)

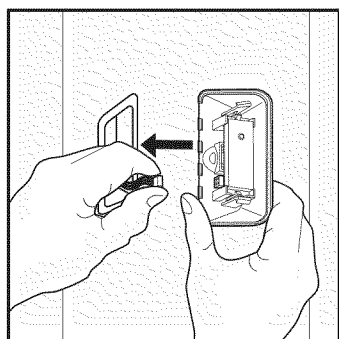
The fresh food compartments of your refrigerator may have LED lights. Always use Frigidaire parts for replacement.

#### To replace LED Lights:

- 1 Unplug your refrigerator's power cord.
- 2 Remove light cover by pushing up and out.
- 3 Hold the LED cover with one hand and pull the connector with the other hand while pressing the connector latch.
- 4 Replace LED light and snap in place assuring the light is facing in toward the unit (inside fresh food) or facing outward on bottom of fresh food doors.



LED Light Removal



LED Light Harness Removal

#### NOTE

LED lights are in series so if one is bad or unplugged, several lights may not light up.

### Replacing Light Bulbs (select models)

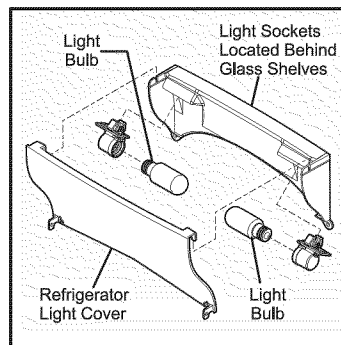
Both the freezer and fresh food compartments of your refrigerator include incandescent light bulbs that will need replacing from time-to-time. Some lights have covers that need to be removed before replacing the bulbs. Always use bulbs that are designed for appliance lighting.

#### CAUTION

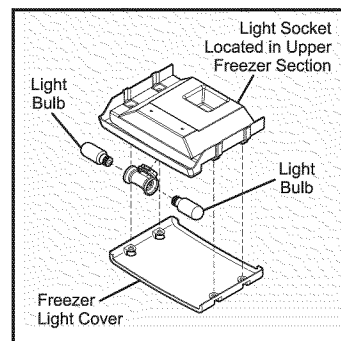
Wear gloves when replacing incandescent light bulbs to avoid getting cut.

#### To replace light bulbs:

- 1 Unplug your refrigerator's power cord.
- 2 Wear protective gloves.
- 3 Remove light cover, if necessary.
- 4 Unscrew and replace old bulb with an appliance bulb of the same type and wattage (normally 40 watts).
- 5 Replace light cover, if necessary.
- 6 Plug in the refrigerator's power cord.



Refrigerator Light



Freezer Light

### Ordering Replacement LED Lights

Order new LEDs by calling 877-808-4195, online at [www.frigidaire.com/store](http://www.frigidaire.com/store), or through the dealer where you bought the refrigerator. Here is the product number to request when ordering:

**LED Light, Part #241891102**

**Incandescent Lights (40-watt bulb), Part #5305514148**

**1-800-944-9044** (United States)  
**1-800-265-8352** (Canada)

Visit our web site at  
[www.frigidaire.com](http://www.frigidaire.com).

CONCERN	POTENTIAL CAUSE	COMMON SOLUTION
<b>AUTOMATIC ICE MAKER</b>		
<b>Ice maker is not making any ice.</b>	<ul style="list-style-type: none"> <li>• Ice maker power switch is Off.</li> <li>• Ice maker has small cube caught in mechanism.</li> <li>• Saddle valve on cold water pipe is clogged or restricted by foreign material.</li> </ul>	<ul style="list-style-type: none"> <li>• Turn power switch to On ("I") position.</li> <li>• Remove small cube from ice maker. The ice and water filter cartridge may be clogged. Replace filter cartridge.</li> <li>• Turn off household water line valve. Remove valve. Ensure that valve is not a self-piercing saddle valve. Clean valve. Replace valve if necessary.</li> </ul>
<b>Ice maker is not making enough ice.</b>	<ul style="list-style-type: none"> <li>• Ice maker is producing less ice than you expect.</li> <li>• Check to see if water dispenser is dispensing slower than normal.</li> </ul>	<ul style="list-style-type: none"> <li>• The ice maker produces approximately four (4) pounds of ice every 24 hours depending on usage conditions.</li> <li>• If it is, replace the ice and water filter cartridge.</li> </ul>
<b>Ice maker will not stop making ice.</b>	<ul style="list-style-type: none"> <li>• Ice maker wire signal arm is being held down by some item in the freezer.</li> </ul>	<ul style="list-style-type: none"> <li>• Move item and release wire signal arm. Remove any ice cubes that are frozen together over the wire signal arm.</li> </ul>
<b>Ice cubes are freezing together.</b>	<ul style="list-style-type: none"> <li>• Ice cubes are not being used frequently enough.</li> <li>• Ice cubes are hollow (partially frozen cubes with water inside).</li> <li>• Freezer control is set too warm.</li> </ul>	<ul style="list-style-type: none"> <li>• Remove ice container and discard ice from container. Ice maker will produce fresh supply.</li> <li>• The ice and water filter cartridge may be clogged. Replace filter cartridge.</li> <li>• Set freezer control to colder setting. Allow 24 hours for temperature to stabilize.</li> </ul>
<b>OPENING/CLOSING OF DOORS/DRAWERS</b>		
<b>Door(s) will not close.</b>	<ul style="list-style-type: none"> <li>• Door was closed too hard, causing other door to open slightly.</li> <li>• Refrigerator is not level. It rocks on the floor when moved slightly.</li> <li>• Refrigerator is touching a wall or cabinet.</li> </ul>	<ul style="list-style-type: none"> <li>• Close both doors gently.</li> <li>• Ensure floor is level and solid, and can adequately support the refrigerator. Contact a carpenter to correct a sagging or sloping floor.</li> <li>• Ensure floor is level and solid, and can adequately support the refrigerator. Contact a carpenter to correct a sagging or sloping floor.</li> </ul>
<b>Drawers are difficult to move.</b>	<ul style="list-style-type: none"> <li>• Food is touching shelf on top of drawer.</li> <li>• Track that drawers slide on is dirty.</li> </ul>	<ul style="list-style-type: none"> <li>• Remove top layer of items in drawer.</li> <li>• Ensure drawer is properly installed on track.</li> <li>• Clean drawer, rollers, and track. See <b>Care &amp; Cleaning</b>.</li> </ul>

## BEFORE YOU CALL (CONTINUED)

CONCERN	POTENTIAL CAUSE	COMMON SOLUTION
<b>RUNNING OF REFRIGERATOR</b>		
<b>Compressor does not run.</b>	<ul style="list-style-type: none"> <li>Freezer control is set to "OF" or "0".</li> <li>Refrigerator is in defrost cycle.</li> <li>Plug at electrical outlet is disconnected.</li> <li>House fuse blown or tripped circuit breaker.</li> <li>Power outage.</li> </ul>	<ul style="list-style-type: none"> <li>Set freezer control.</li> <li>This is normal for a fully automatic defrost refrigerator. The defrost cycle occurs periodically, lasting about 30 minutes.</li> <li>Ensure plug is tightly pushed into outlet.</li> <li>Check/replace fuse with a 15 amp time-delay fuse. Reset circuit breaker.</li> <li>Check house lights. Call local electric company.</li> </ul>
<b>Refrigerator runs too much or too long.</b>	<ul style="list-style-type: none"> <li>Room or outside weather is hot.</li> <li>Doors are opened too frequently or too long.</li> <li>Fresh Food/freezer door may be slightly open.</li> <li>Freezer control is set too cold.</li> <li>Fresh Food/freezer gasket is dirty, worn, cracked, or poorly fitted.</li> <li>Condenser is dirty.</li> </ul>	<ul style="list-style-type: none"> <li>It's normal for the refrigerator to work longer under these conditions.</li> <li>Warm air entering the refrigerator causes it to run more. Open doors less often.</li> <li>Ensure refrigerator is level. Keep food and contains from blocking door. See CONCERN column OPENING/CLOSING OF DOORS/DRAWERS.</li> <li>Set Fresh Food control to warmer setting until refrigerator temperature is satisfactory. Allow 24 hours for temperature to stabilize.</li> <li>Clean or change gasket. Leaks in door seal will cause refrigerator to run longer in order to maintain desired temperatures.</li> <li>Clean condenser. See Care &amp; Cleaning.</li> </ul>
<b>Compressor goes off and on frequently.</b>	<ul style="list-style-type: none"> <li>Thermostat keeps the refrigerator at a constant temperature.</li> </ul>	<ul style="list-style-type: none"> <li>This is normal. Refrigerator goes on and off to keep temperature constant.</li> </ul>
<b>DIGITAL TEMPERATURE DISPLAY</b>		
<b>Digital temperature displays are flashing.</b>	<ul style="list-style-type: none"> <li>Electronic control system has detected a performance problem.</li> </ul>	<ul style="list-style-type: none"> <li>Call your Frigidaire service representative, who can interpret any messages or number codes flashing on the digital displays.</li> </ul>
<b>WATER/MOISTURE/FROST INSIDE REFRIGERATOR</b>		
<b>Moisture collects on inside of refrigerator walls.</b>	<ul style="list-style-type: none"> <li>Weather is hot and humid.</li> <li>Door is slightly open.</li> </ul>	<ul style="list-style-type: none"> <li>The rate of frost buildup and internal sweating increases.</li> <li>See <b>CONCERN</b> column <b>OPENING/CLOSING OF DOORS/DRAWERS</b>.</li> </ul>
<b>Water collects on bottom side of drawer cover.</b>	<ul style="list-style-type: none"> <li>Vegetables contain and give off moisture.</li> </ul>	<ul style="list-style-type: none"> <li>It is not unusual to have moisture on the bottom side of the cover.</li> <li>Move humidity control (some models) to lower setting.</li> </ul>
<b>Water collects in bottom of drawer.</b>	<ul style="list-style-type: none"> <li>Washed vegetables and fruit drain while in the drawer.</li> </ul>	<ul style="list-style-type: none"> <li>Dry items before putting them in the drawer. Water collecting in bottom of drawer is normal.</li> </ul>
<b>WATER/MOISTURE/FROST OUTSIDE REFRIGERATOR</b>		
<b>Moisture collects on outside of refrigerator or between doors.</b>	<ul style="list-style-type: none"> <li>Weather is humid.</li> <li>Door is slightly open, causing cold air from inside refrigerator to meet warm air from outside.</li> </ul>	<ul style="list-style-type: none"> <li>This is normal in humid weather. Press <b>Energy Saver</b> icon to reduce exterior moisture on the cabinet between the doors. When humidity is lower, the moisture should disappear and the <b>Energy Saver</b> icon can be pressed again to turn it off.</li> <li>See <b>CONCERN</b> column <b>OPENING/CLOSING OF DOORS/DRAWERS</b>.</li> </ul>

# MAJOR APPLIANCE WARRANTY

Your appliance is covered by a one year limited warranty. For one year from your original date of purchase, Electrolux will pay all costs for repairing or replacing any parts of this appliance that prove to be defective in materials or workmanship when such appliance is installed, used and maintained in accordance with the provided instructions.

**Exclusions This warranty does not cover the following:**

1. Products with original serial numbers that have been removed, altered or cannot be readily determined.
2. Product that has been transferred from its original owner to another party or removed outside the USA or Canada.
3. Rust on the interior or exterior of the unit.
4. Products purchased "as-is" are not covered by this warranty.
5. Food loss due to any refrigerator or freezer failures.
6. Products used in a commercial setting.
7. Service calls which do not involve malfunction or defects in materials or workmanship, or for appliances not in ordinary household use or used other than in accordance with the provided instructions.
8. Service calls to correct the installation of your appliance or to instruct you how to use your appliance.
9. Expenses for making the appliance accessible for servicing, such as removal of trim, cupboards, shelves, etc., which are not a part of the appliance when it is shipped from the factory.
10. Service calls to repair or replace appliance light bulbs, air filters, water filters, other consumables, or knobs, handles, or other cosmetic parts.
11. Surcharges including, but not limited to, any after hour, weekend, or holiday service calls, tolls, ferry trip charges, or mileage expense for service calls to remote areas, including the state of Alaska.
12. Damages to the finish of appliance or home incurred during installation, including but not limited to floors, cabinets, walls, etc.
13. Damages caused by: services performed by unauthorized service companies; use of parts other than genuine Electrolux parts or parts obtained from persons other than authorized service companies; or external causes such as abuse, misuse, inadequate power supply, accidents, fires, or acts of God.

**DISCLAIMER OF IMPLIED WARRANTIES; LIMITATION OF REMEDIES**

CUSTOMER'S SOLE AND EXCLUSIVE REMEDY UNDER THIS LIMITED WARRANTY SHALL BE PRODUCT REPAIR OR REPLACEMENT AS PROVIDED HEREIN. CLAIMS BASED ON IMPLIED WARRANTIES, INCLUDING WARRANTIES OF MERCHANTABILITY OR FITNESS FOR A PARTICULAR PURPOSE, ARE LIMITED TO ONE YEAR OR THE SHORTEST PERIOD ALLOWED BY LAW, BUT NOT LESS THAN ONE YEAR. ELECTROLUX SHALL NOT BE LIABLE FOR CONSEQUENTIAL OR INCIDENTAL DAMAGES SUCH AS PROPERTY DAMAGE AND INCIDENTAL EXPENSES RESULTING FROM ANY BREACH OF THIS WRITTEN LIMITED WARRANTY OR ANY IMPLIED WARRANTY. SOME STATES AND PROVINCES DO NOT ALLOW THE EXCLUSION OR LIMITATION OF INCIDENTAL OR CONSEQUENTIAL DAMAGES, OR LIMITATIONS ON THE DURATION OF IMPLIED WARRANTIES, SO THESE LIMITATIONS OR EXCLUSIONS MAY NOT APPLY TO YOU. THIS WRITTEN WARRANTY GIVES YOU SPECIFIC LEGAL RIGHTS. YOU MAY ALSO HAVE OTHER RIGHTS THAT VARY FROM STATE TO STATE.

**If You Need Service** Keep your receipt, delivery slip, or some other appropriate payment record to establish the warranty period should service be required. If service is performed, it is in your best interest to obtain and keep all receipts. Service under this warranty must be obtained by contacting Electrolux at the addresses or phone numbers below.

This warranty only applies in the USA and Canada. In the USA, your appliance is warranted by Electrolux Major Appliances North America, a division of Electrolux Home Products, Inc. In Canada, your appliance is warranted by Electrolux Canada Corp. Electrolux authorizes no person to change or add to any obligations under this warranty. Obligations for service and parts under this warranty must be performed by Electrolux or an authorized service company. Product features or specifications as described or illustrated are subject to change without notice.

**USA**  
**1.800.944.9044**  
Frigidaire  
P.O. Box 212378  
Augusta, GA 30907

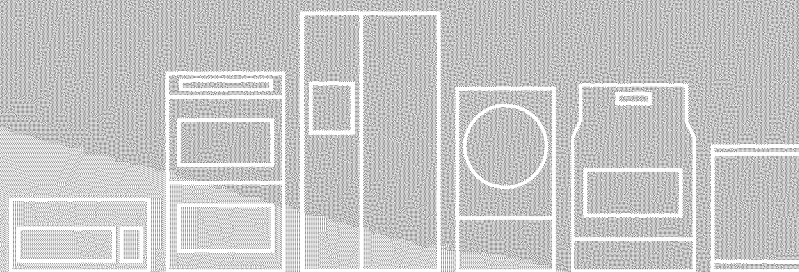
**Canada**  
**1.800.265.8352**  
Electrolux Canada Corp.  
5855 Terry Fox Way  
Mississauga, Ontario, Canada  
L5V 3E4

# FRIGIDAIRE

Todo acerca del

# uso y cuidado

de su refrigerador



## ÍNDICE

Instrucciones importantes para la seguridad.....	2	Funciones de almacenamiento.....	17
Características generales.....	4	Cómo guardar los alimentos y ahorrar energía.....	20
Instalación.....	5	Indicaciones sonoras y visuales	
Instrucciones para quitar la puerta.....	9	de funcionamiento normal.....	21
Instalación de las manijas de las puertas.....	11	Cambio del filtro.....	22
Conexión del suministro de agua.....	13	Cuidado y limpieza.....	24
Controles.....	14	Antes de solicitar servicio técnico.....	27
Productor automático de hielo.....	16	Garantía principal del electrodoméstico.....	29

# INSTRUCCIONES IMPORTANTES PARA LA SEGURIDAD


## **ADVERTENCIA**

Lea todas las instrucciones antes de utilizar este refrigerador.

### Para su seguridad

- NO guarde ni use gasolina u otros líquidos inflamables cerca de éste o cualquier otro electrodoméstico. Lea los rótulos del producto para obtener advertencias con respecto a inflamabilidad u otros peligros.
- NO opere el refrigerador en presencia de vapores explosivos.
- Evite el contacto con cualquier pieza móvil del productor automático de hielo.
- Quite todas las grapas de la caja. Las grapas pueden provocar cortes severos y también destruir el acabado si entran en contacto con otros electrodomésticos o muebles.

### Definiciones

 Éste es el símbolo de las alertas de seguridad. Se usa para advertirle sobre posibles riesgos de lesiones personales. Obedezca todos los mensajes de seguridad que lleven este símbolo para evitar posibles lesiones o la muerte.

## **PELIGRO**

Una indicación de PELIGRO representa una situación inminentemente peligrosa que, si no se evita, tendrá como resultado la muerte o una lesión grave.

## **ADVERTENCIA**

Una indicación de ADVERTENCIA representa una situación potencialmente peligrosa que, si no se evita, podrá tener como resultado la muerte o una lesión grave.

## **ATENCIÓN**

Una indicación de ATENCIÓN representa una situación potencialmente peligrosa que, si no se evita, puede tener como resultado lesión leve o moderada.

## **IMPORTANTE**

Una indicación de IMPORTANTE indica información de instalación, operación o mantenimiento que es importante, pero no se relaciona con ningún peligro.

## **Lista de verificaciones de instalación**

### Puertas

- Las manijas están bien colocadas y firmes
- La puerta sella el gabinete por todos los costados
- El cajón del congelador está nivelado en toda la parte superior

### Nivelado

- El refrigerador está nivelado de un lado a otro e inclinado 1/4" (6 mm) del frente hacia atrás
- La rejilla inferior está correctamente colocada en el refrigerador
- El gabinete está sólidamente fijado en todas las esquinas

### Alimentación eléctrica

- La alimentación eléctrica doméstica está encendida
- El refrigerador está enchufado

### Productor de hielo

- El suministro doméstico de agua está conectado al refrigerador
- Sin pérdidas de agua presentes en todas las conexiones; vuelva a verificar en 24 horas
- El productor de hielo está ENCENDIDO
- El dispensador de agua y hielo funcionan correctamente

### Verificaciones finales

- Se ha quitado el material de embalaje
- Se configuraron las temperaturas de alimentos frescos y del congelador
- Configuración de los controles de humedad de los cajones para frutas y verduras
- Tarjeta de registro enviada

# INSTRUCCIONES IMPORTANTES PARA LA SEGURIDAD

## Seguridad de los niños

Destruya o recicle la caja, las bolsas de plástico y cualquier material de embalaje exterior inmediatamente después de abrir la caja del refrigerador. **NUNCA** se debe permitir que los niños jueguen con estos artículos. Las cajas cubiertas con alfombras, colchas, láminas de plástico o revestimiento elástico pueden quedar herméticamente cerradas y producir asfixia rápidamente.

## Eliminación correcta de su refrigerador o congelador

### Riesgo de que los niños queden atrapados

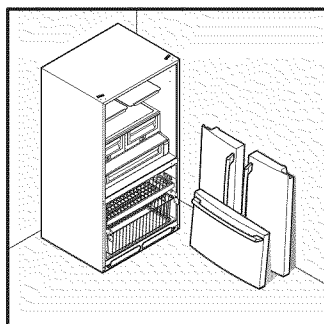
El encierro y la asfixia de niños son problemas actuales. Los refrigeradores o congeladores abandonados o desechados aún son peligrosos; incluso si se dejarán por "sólo unos días". Si se está por deshacer de su refrigerador o congelador viejo, siga las instrucciones que aparecen a continuación para prevenir accidentes.

### Eliminación correcta de refrigeradores o congeladores

Es muy importante que se apliquen métodos responsables de reciclaje o eliminación de electrodomésticos. Consulte a su empresa de servicios públicos o visite [www.recyclemyoldfridge.com](http://www.recyclemyoldfridge.com) para obtener más información sobre la forma de desechar su refrigerador viejo.

### Antes de tirar su refrigerador o congelador viejo:

- Quite las puertas.
- Deje los estantes en su lugar para que los niños no puedan meterse adentro fácilmente.
- Haga quitar el refrigerante por un técnico de servicio calificado.



## ADVERTENCIA

Se deben cumplir estas pautas para garantizar que los mecanismos de seguridad en este refrigerador funcionen correctamente.

## Información eléctrica

- **El refrigerador debe estar enchufado en un tomacorrientes eléctrico de 115 voltios, 60 Hz, 15 amp., CA solamente, donde no puede haber enchufado ningún otro aparato.** El cable eléctrico del artefacto viene con un enchufe de tres patas con conexión a tierra, para protegerlo contra el peligro de las descargas eléctricas. Debe enchufarse directamente en un tomacorrientes de tres patas con conexión a tierra adecuada. El tomacorrientes debe estar instalado de acuerdo con los códigos y ordenanzas locales. Consulte a un electricista calificado. Evite conectar el refrigerador

a un circuito Interruptor de falla a tierra (GFI, por sus siglas en inglés). **No use un prolongador o un enchufe adaptador.**

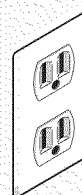
- Si el cable eléctrico está dañado, debe ser reemplazado por un técnico de servicio autorizado para evitar cualquier riesgo.
- No tire del cable para desenchufar el refrigerador. Sujete siempre el enchufe con firmeza y sáquelo directamente del tomacorrientes para evitar daños al cable eléctrico.
- Desenchufe el refrigerador antes de limpiar o reemplazar una lámpara para evitar una descarga eléctrica.
- Puede haber problemas de funcionamiento si se presentan variaciones de 10% o más en el voltaje. La operación del refrigerador con energía insuficiente puede dañar el compresor. Este daño no está cubierto por la garantía.
- No enchufe la unidad en un tomacorrientes eléctrico activado por un conmutador o cordón para evitar que el refrigerador se apague por accidente.



## IMPORTANTE

Si mantiene presionado el botón **Encendido/apagado** durante 3 segundos, ubicado del lado izquierdo del panel de control de temperatura, se desactivará el sistema de enfriamiento de su refrigerador, pero no se desconectará la alimentación eléctrica de la lámpara ni de otros componentes eléctricos. Para desconectar la alimentación eléctrica del refrigerador, debe desenchufar el cable eléctrico del tomacorrientes eléctrico.

Tomacorriente de pared con conexión a tierra



Bajo ninguna circunstancia corte, extraiga o desvíe las patas de conexión a tierra.

Cable de alimentación con enchufe de tres patas con conexión a tierra



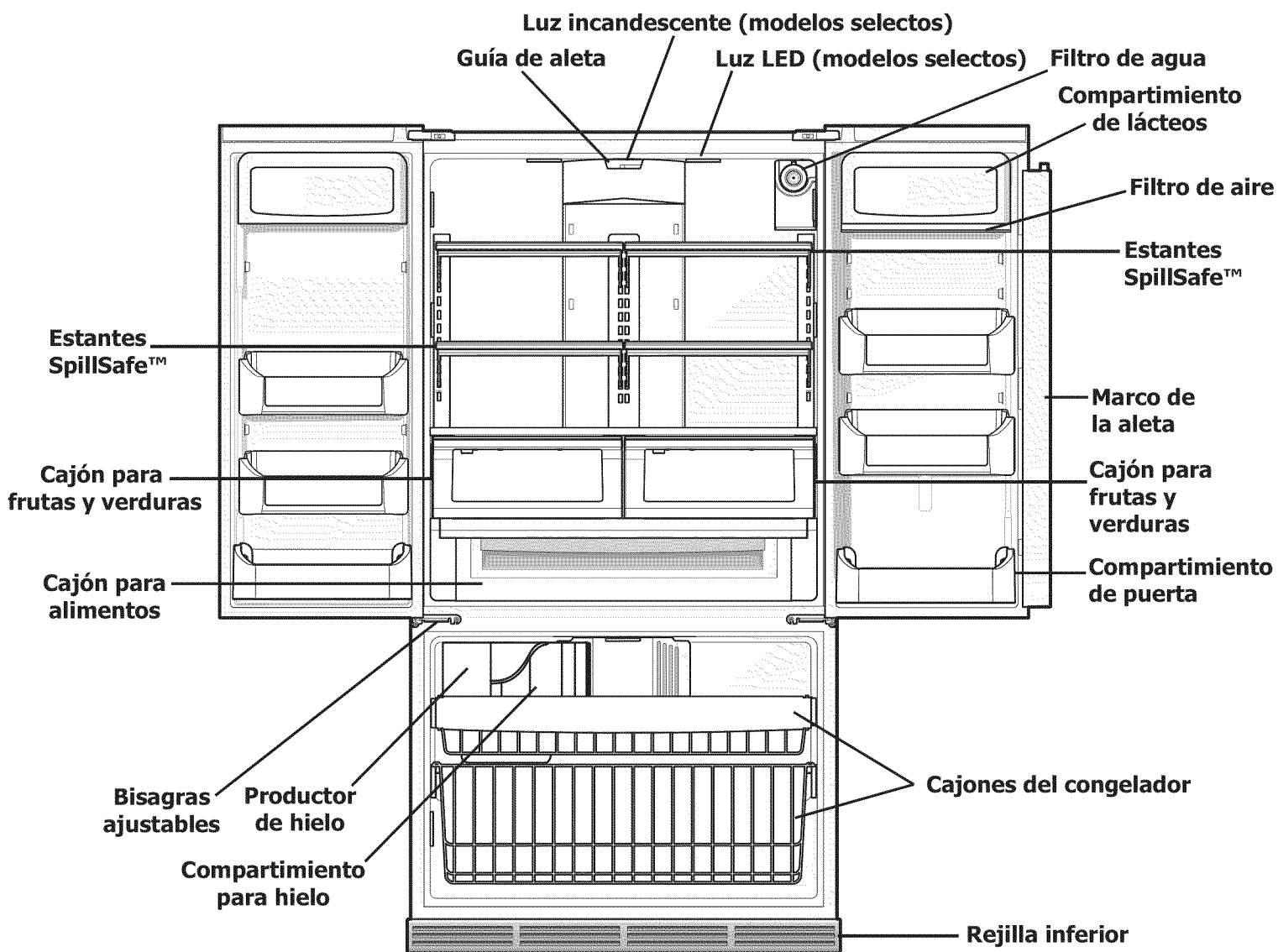
## ATENCIÓN

Para evitar lesiones personales o daños materiales, manipule los estantes de vidrio templado con cuidado. Los estantes se pueden quebrar de repente si se ranuran, rayan o exponen a un cambio brusco de temperatura.



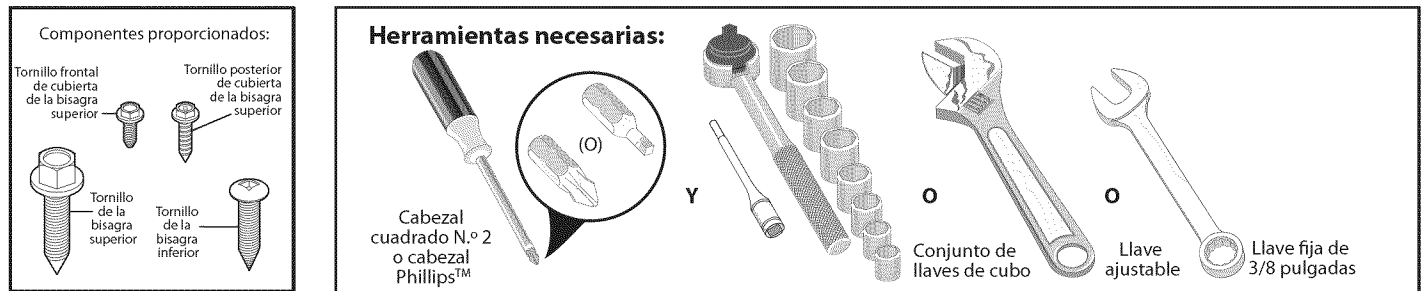
# CARACTERÍSTICAS GENERALES

Las características pueden variar según el modelo



## Herramientas necesarias

Necesita las siguientes herramientas:



Esta "Guía de uso y cuidado" le ofrece instrucciones generales de instalación y operación de su modelo. Recomendamos contratar a un profesional de servicio o especializado en artefactos de cocina para instalar su refrigerador. Use el refrigerador únicamente de acuerdo con las instrucciones de esta Guía. **Antes de encender el refrigerador, siga estos primeros pasos importantes.**

## Ubicación

- Seleccione un lugar que esté cerca de un tomacorrientes eléctrico no GFCI con conexión a tierra. **No** use un prolongador o un enchufe adaptador.
- De ser posible, coloque el refrigerador alejado de la luz solar directa y lejos de la cocina, lavavajillas u otras fuentes de calor.
- El refrigerador debe instalarse en un piso nivelado y lo suficientemente firme como para soportar el peso de un refrigerador completamente lleno.
- En el caso de los modelos con productor automático de hielo, se debe tener en cuenta la ubicación del suministro de agua.

## ⚠ ATENCIÓN

No instale el refrigerador en un lugar donde la temperatura pueda bajar a menos de los 55 °F (13 °C) o elevarse por encima de los 110 °F (43 °C). Si esto ocurre, el compresor no podrá mantener las temperaturas adecuadas dentro del refrigerador.

No bloquee la rejilla inferior en la parte frontal inferior del refrigerador. La circulación suficiente del aire es fundamental para la operación correcta del refrigerador.

## Instalación

- Debe dejar los siguientes espacios para facilitar la instalación, circulación correcta del aire, conexiones eléctricas y tuberías de agua.

Costados y parte superior  $\frac{3}{8}$  pulgadas (9,5 mm)  
 Parte posterior 1 pulgada (25,4 mm)

## 📌 NOTA:

Si su refrigerador se instala con el costado de la bisagra de la puerta contra una pared, es posible que tenga que dejar un espacio adicional para que la puerta pueda abrirse con mayor amplitud.

## Apertura de la puerta

## 📌 NOTA:

Las puertas del refrigerador están diseñadas para cerrarse solas cuando están abiertas con una apertura de 20 grados.

Su refrigerador debe colocarse de tal manera que se pueda acceder fácilmente a una superficie de apoyo al retirar los alimentos. Para aprovechar mejor los cajones del refrigerador y canastos del congelador, el refrigerador debe estar en una posición tal que ambos puedan abrirse en su totalidad.

# INSTALACIÓN

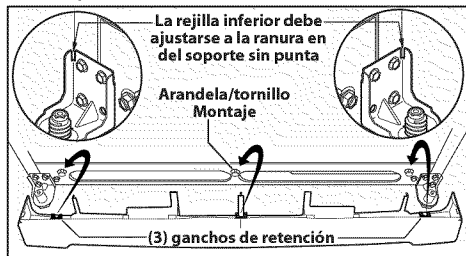
## Nivelar el cajón del congelador (si fuera necesario)

### NOTA:

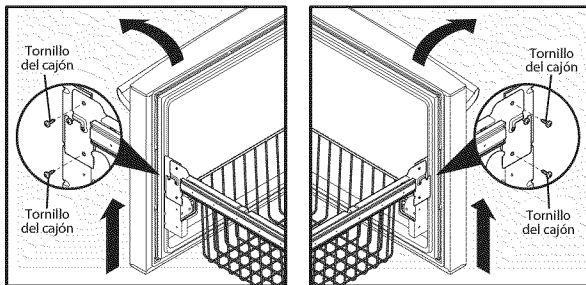
NO quite el tornillo central del cajón del congelador. Éste es un ajuste de fábrica.

### Para nivelar el gabinete mediante los rodillos frontales (modelos selectos):

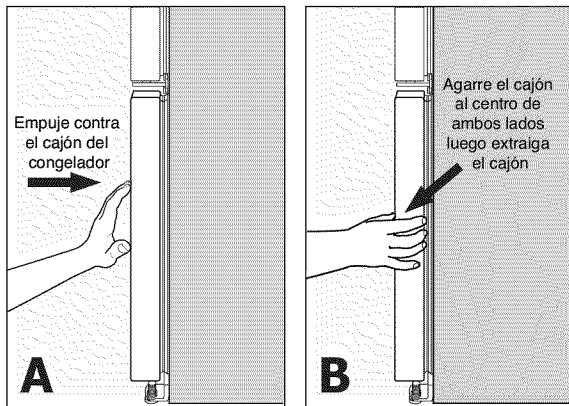
- 1 Abra levemente el cajón del congelador. Levante la rejilla inferior y tire suavemente hacia adelante (consulte la ilustración).



- 2 Verifique el sello de las juntas en la parte superior, inferior y costados del cajón del congelador.
- 3 Si las juntas no están selladas, abra el cajón y afloje ligeramente cuatro (4) tornillos del cajón (dos (2) de cada lado) para permitir rotar al cajón.



- 4 Cierre el cajón y vuelva a verificar el sello de la junta (A). Abra el cajón agarrando de los costados en el centro (B). Tenga cuidado de no girar el cajón.



- 5 Apriete cuatro (4) tornillos del cajón.
- 6 Vuelva a verificar el sello de la junta.
- 7 Instale la rejilla inferior encajándola en su lugar.

## Nivelar el refrigerador y ajustar las puertas (si fuera necesario)

### Pautas para el posicionamiento final de su refrigerador:

- Las cuatro esquinas del gabinete deben estar firmemente apoyadas en el piso.
- Los costados deben inclinarse  $\frac{1}{4}$  de pulgada (6 mm) del frente hacia atrás (para garantizar que las puertas queden cerradas herméticamente).
- Las puertas deben estar alineadas entre sí y estar niveladas.

### Es posible cumplir la mayoría de esas condiciones elevando o bajando los rodillos ajustables frontales.

### Para nivelar el gabinete mediante los rodillos frontales:

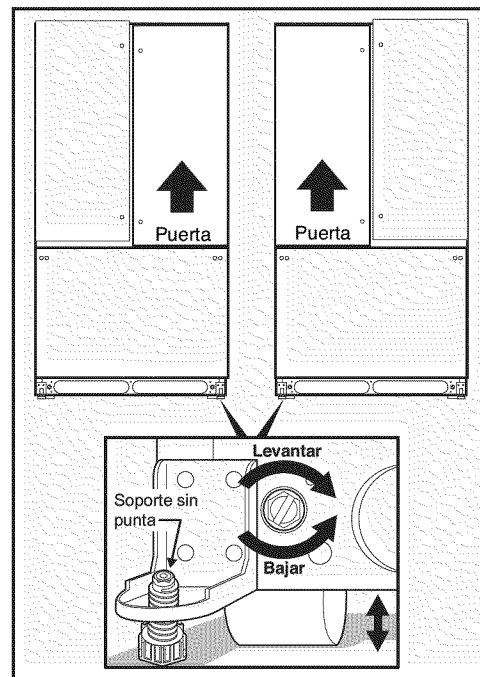
- 1 Puede levantar o bajar cada una de las puertas. Use una llave de  $\frac{3}{8}$  pulgadas para hacer girar los tornillos de ajuste (1 por lado).

**Para levantar:** gire el tornillo ajustable hacia la derecha.

**Para bajar:** haga girar el tornillo de ajuste en sentido antihorario.

- 2 Verifique que ambas puertas se muevan libremente, que los sellos toquen el gabinete en los cuatro costados y que el gabinete esté estable.

- 3 Después de nivelar la unidad, baje el sostén antivuelco hasta que entre en contacto con el piso.

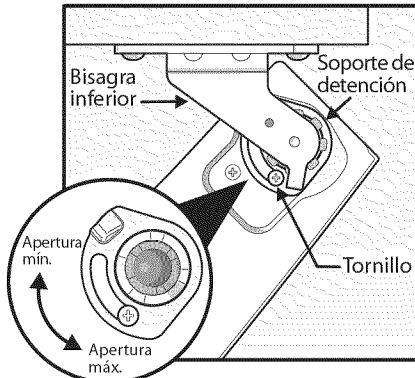


## Para ajustar el tope de la puerta:

El tope de la puerta se puede ajustar entre 85 a 145 grados.

### NOTA:

La vista es mirando hacia arriba desde la parte inferior de la puerta del refrigerador.



### Tope de puerta ajustable

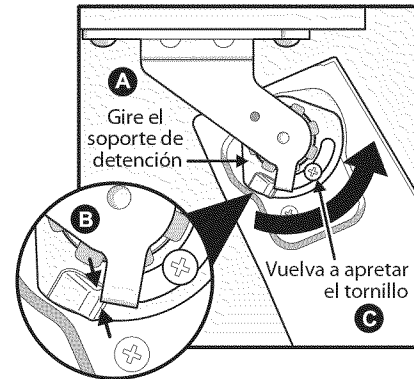
- 1 Abra la puerta para acceder al tornillo.
- 2 Afloje el tornillo.
- 3 Ajuste la puerta hasta la ubicación deseada.



### Ajustar puerta

- 4 Rote el tope de la puerta hasta que entre en contacto con la bisagra inferior.

- 5 Vuelva a apretar el tornillo.

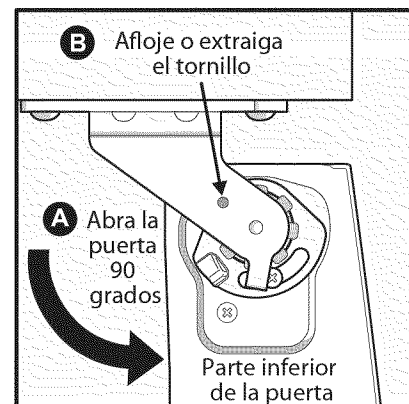


### Volver a apretar tornillo

- 6 Verifique que los toques de la puerta estén en el lugar deseado antes de reanudar el uso normal.

## Para nivelar las puertas mediante la bisagra inferior ajustable (modelos selectos):

- 1 Quite todos los alimentos de los compartimientos de la puerta que se está ajustando.
- 2 Abra las puertas a 90 grados.
- 3 Afloje o quite el tornillo.



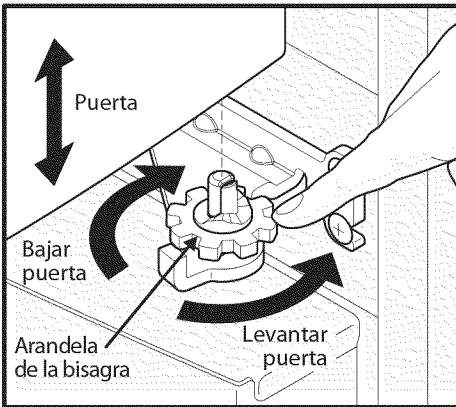
### Aflojar/quitar tornillo

### NOTA:

La bisagra ajustable sólo debe usarse después de que las puertas hayan sido niveladas con rodillos.

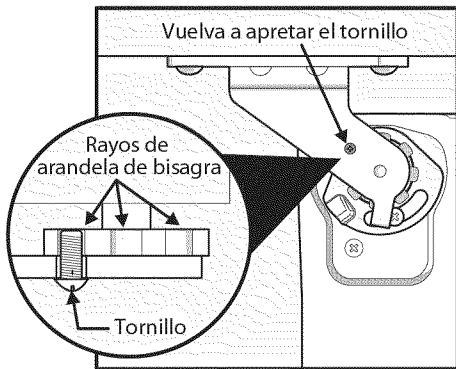
# INSTALACIÓN

- 4 Levante la puerta mientras ajusta la arandela. Para levantar la puerta, haga girar la arandela en sentido horario (visto desde la parte inferior). Para bajar la puerta, haga girar la arandela en sentido antihorario (visto desde la parte inferior).



**Elevar o bajar la puerta**

- 5 Vuelva a ajustar el tornillo, verificando que esté entre los rayos de la arandela ajustada. El tornillo no estará ajustado, simplemente insértelo hasta que esté a nivel con la bisagra.



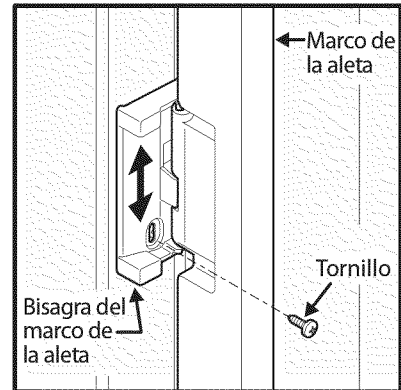
**Tornillo**

## NOTA:

Si después de ajustar las puertas a mayor altura la puerta emite un chasquido, quite el tornillo y reemplácelo con el más largo que viene en el paquete de la manija.

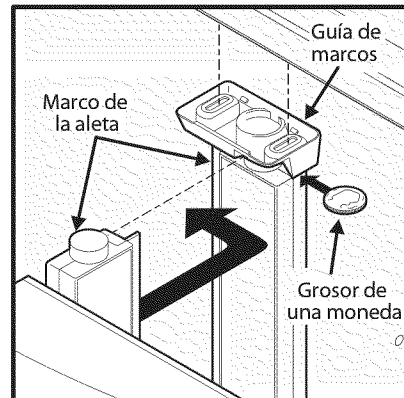
## Para ajustar el marco de la aleta:

- 1 Afloje el tornillo ubicado en la bisagra del marco de la aleta.



**Ajuste del tornillo del marco de la aleta**

- 2 Ajuste la altura del marco de la aleta. Para tener un contacto adecuado con la guía del marco de la aleta, debe haber una separación aproximadamente del grosor de una moneda (0,060 pulgadas o 1,5 mm) entre la guía y el marco de la aleta.



**Ajuste de la altura del marco de la aleta**

- 3 Vuelva a apretar el tornillo.

# INSTRUCCIONES PARA QUITAR LA PUERTA

## Para pasar por espacios reducidos

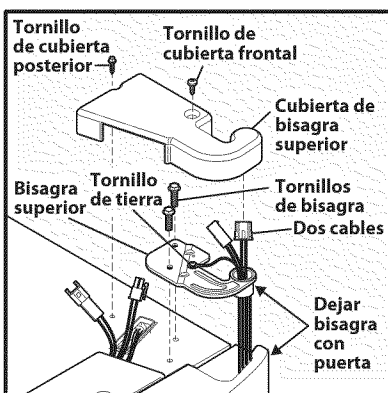
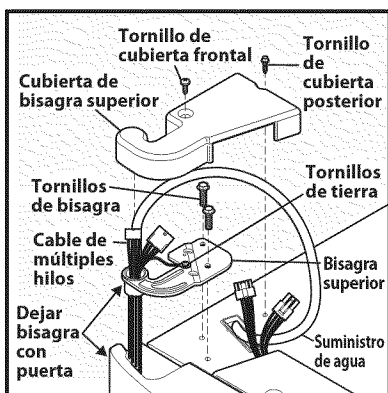
Si su refrigerador no pasa por el área de la entrada, puede quitar las puertas. Mida el área de entrada primero para verificar si no pasa.

### Para prepararse para quitar las puertas:

- 1 Verifique que el cable eléctrico esté desenchufado del tomacorrientes de pared.
- 2 Abra el cajón del congelador y quite la rejilla inferior (consulte la sección de "Instalación").
- 3 Saque los alimentos de los estantes de la puerta y cierre las puertas.

### Para quitar las cubiertas de las bisagras:

- 1 Quite los dos (2) tornillos de cada cubierta sobre las bisagras superiores de las puertas.
- 2 Levante el borde interno de la cubierta de la bisagra e inclínela hacia atrás.

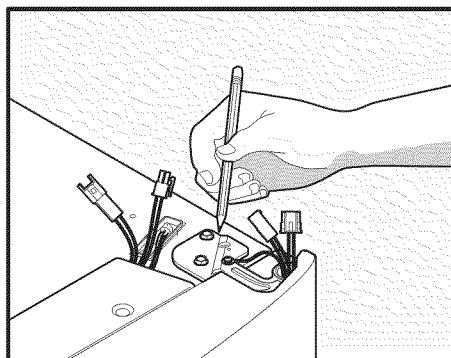


### NOTA:

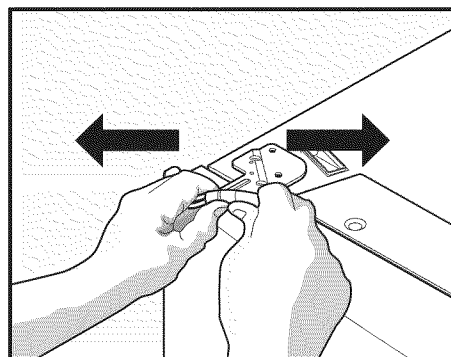
NO quite el tornillo de tierra de la bisagra.

### Para quitar las puertas del refrigerador:

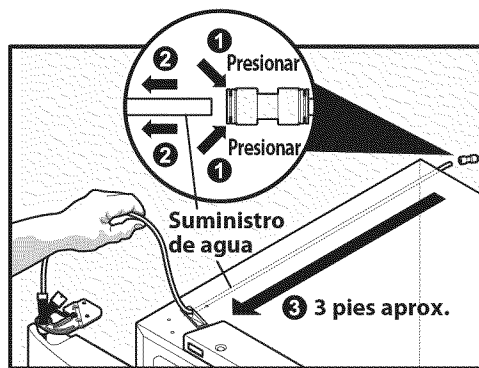
- 1 Haga un trazo leve alrededor de las bisagras superiores de la puerta con un lápiz. Esto facilita la reinstalación.



- 2 Desconecte el arnés sujetando ambos lados del conector con firmeza, presione el pestillo y separe. Quite los dos (2) tornillos de la bisagra superior. Levante la puerta fuera de la bisagra inferior y guárdela.



- 3 Suelte el tubo de agua del conector ubicado detrás del refrigerador y jale el tubo hacia el frente de la unidad. El conector se suelta al presionar hacia adentro en el manguito exterior mientras empuja el tubo hacia el conector y, mientras sigue sujetando el manguito, jale el tubo.



# INSTRUCCIONES PARA QUITAR LA PUERTA

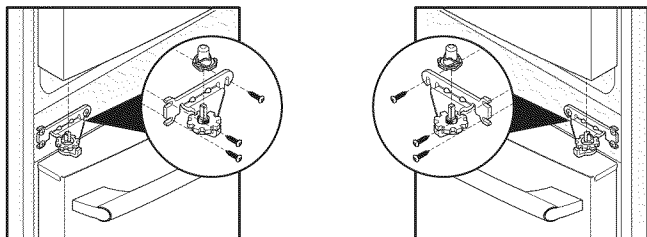
## NOTA:

Usted tirará aproximadamente tres (3) pies de tubo de agua de la parte posterior del refrigerador.

- Desenrosque los tres (3) tornillos de la bisagra inferior y la bisagra, de ser necesario.

Para volver a instalar la puerta derecha, siga estos pasos en sentido inverso.

### Para quitar la bisagra inferior



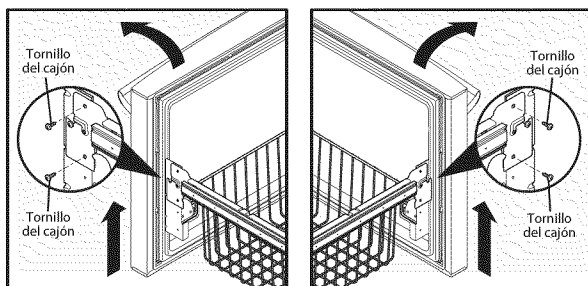
Cuando ambas puertas estén colocadas, verifique que estén alineadas entre sí y niveladas (consulte la sección de "Instalación" para más información), y vuelva a colocar la cubierta de la bisagra superior.

## ATENCIÓN

Verifique que las puertas se guarden en una posición segura, donde no puedan caerse y provocar lesiones personales, o daños a las puertas o manijas.

### Cómo quitar el cajón del congelador

- Abra el cajón del congelador.
- Quite los tornillos del cajón a la derecha y la izquierda (dos (2) tornillos de cada lado).



## NOTA:

NO quite el tornillo central del cajón del congelador. Éste es un ajuste de fábrica.

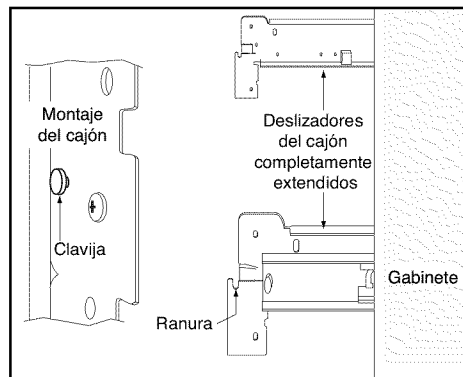
## ATENCIÓN

El cajón es pesado. Levántelo con cuidado.

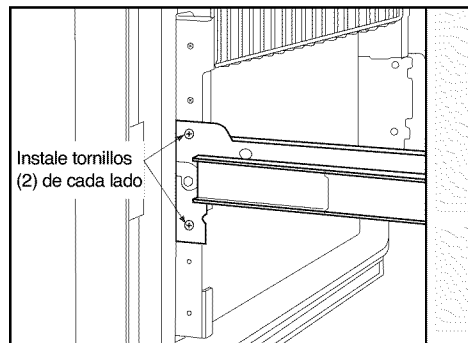
- Levante el cajón hacia arriba y hacia afuera para quitarlo.

### Colocación del cajón del congelador

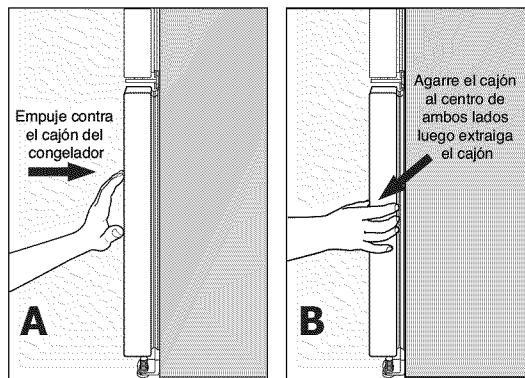
- Con los deslizadores inferiores sacados hacia afuera, cuelgue el cajón de los soportes de deslizamiento, verificando que las espigas a ambos lados estén totalmente insertadas en las ranuras a ambos lados.



- Vuelva a colocar cuatro (4) tornillos del cajón (dos (2) por lado), ajuste y cierre el cajón (C).



- Verifique el sello de las juntas en la parte superior, inferior y costados del cajón del congelador.
- Si las juntas no están selladas, abra el cajón y afloje ligeramente cuatro (4) tornillos del cajón (dos (2) de cada lado) para permitir rotar al cajón.
- Cierre el cajón y vuelva a verificar el sello de la junta (A). Abra el cajón agarrando de los costados en el centro (B). Tenga cuidado de no girar el cajón.



- Apriete cuatro (4) tornillos del cajón.
- Vuelva a verificar el sello de la junta.
- Instale la rejilla inferior encajándola en su lugar.

# INSTALACIÓN DE LAS MANIJAS DE LAS PUERTAS

## Instrucciones de montaje de las manijas de las puertas para Frigidaire Gallery®

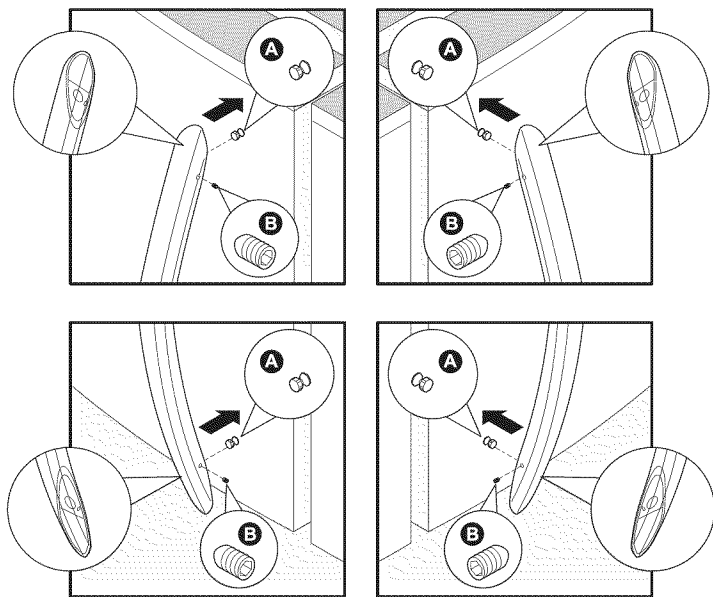
- 1 Quite las manijas de la caja y de cualquier otro material de protección de empaque.
- 2 Coloque el extremo de la manija de la puerta de la parte de alimentos frescos (A) sobre los pernos preinstalados en la puerta superior e inferior, verificando que los orificios para los tornillos de sujeción estén mirando hacia la puerta opuesta.
- 3 Mientras sostiene firmemente la manija contra la puerta, sujete los tornillos de sujeción Allen superior e inferior (B) con la llave Allen provista.
- 4 Repita los pasos 2 y 3 para instalar la manija opuesta. Verifique que los orificios de los tornillos de fijación miren hacia la primera puerta.
- 5 Coloque el extremo de las manijas del congelador sobre los montajes de las manijas preinstalados izquierdo y derecho sujetos a la puerta, verificando que los orificios para los tornillos de sujeción estén mirando hacia abajo.
- 6 Mientras sostiene la manija firmemente contra la puerta, ajuste sin apretar hacia la derecha el tornillo de sujeción Allen (B) con la llave Allen provista hasta que no haya separación entre la manija y la puerta.
- 7 Aún sosteniendo la manija firmemente a la puerta, ajuste con firmeza hacia la izquierda el tornillo de sujeción Allen (B) con la llave Allen provista.
- 8 Regrese el tornillo de sujeción Allen (B) hacia la derecha y ajuste firmemente con la llave Allen provista.

### NOTA:

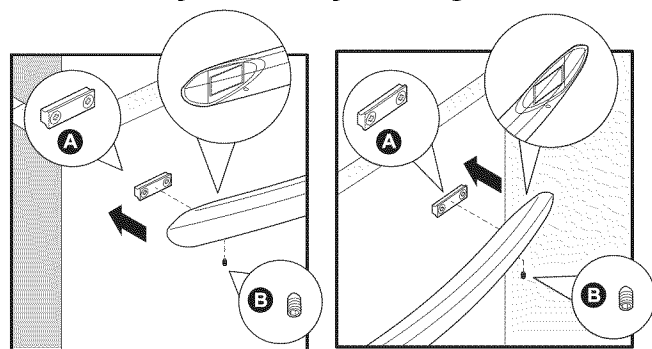
Todos los tornillos de sujeción deben estar ajustados para que el tornillo esté por debajo de la superficie de la manija. Las manijas se deben apretar a las puertas del congelador y refrigerador sin espacios. Si abre la puerta opuesta mientras ajusta el tornillo Allen, se facilitará la instalación.

La manija de la puerta puede aflojarse con el paso del tiempo o si se instaló de manera incorrecta. Si esto sucediera, ajuste los tornillos de fijación en las manijas.

### Montaje de las manijas del refrigerador



### Montaje de la manija del congelador





# INSTALACIÓN DE LAS MANIJAS DE LAS PUERTAS

## Instrucciones de montaje de las manijas de las puertas para Frigidaire Professional®

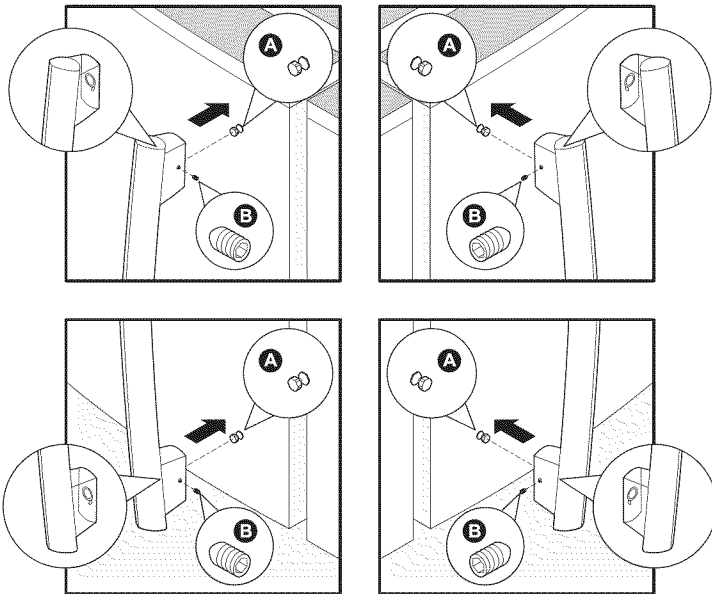
- 1 Quite las manijas de la caja y de cualquier otro material de protección de empaque.
- 2 Coloque el extremo de la manija de la puerta de la parte de alimentos frescos (A) sobre los pernos preinstalados en la puerta superior e inferior, verificando que los orificios para los tornillos de sujeción estén mirando hacia la puerta opuesta.
- 3 Mientras sostiene firmemente la manija contra la puerta, sujete los tornillos de sujeción Allen superior e inferior (B) con la llave Allen provista.
- 4 Repita los pasos 2 y 3 para instalar la manija opuesta. Verifique que los orificios de los tornillos de fijación miren hacia la primera puerta.
- 5 Coloque el extremo de las manijas del congelador sobre los montajes de las manijas preinstalados izquierdo y derecho sujetos a la puerta, verificando que los orificios para los tornillos de sujeción estén mirando hacia abajo.
- 6 Mientras sostiene la manija firmemente contra la puerta, ajuste sin apretar hacia la derecha el tornillo de sujeción Allen (B) con la llave Allen provista hasta que no haya separación entre la manija y la puerta.
- 7 Aún sosteniendo la manija firmemente a la puerta, ajuste con firmeza hacia la izquierda el tornillo de sujeción Allen (B) con la llave Allen provista.
- 8 Regrese el tornillo de sujeción Allen (B) hacia la derecha y ajuste firmemente con la llave Allen provista.
- 9 Ajuste firmemente los tornillos de ajuste Allen internos.

### NOTA:

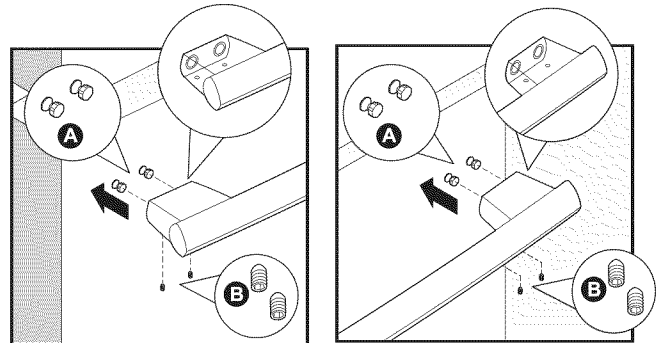
Todos los tornillos de sujeción deben estar ajustados para que el tornillo esté por debajo de la superficie de la manija. Las manijas se deben apretar a las puertas del congelador y refrigerador sin espacios. Si abre la puerta opuesta mientras ajusta el tornillo Allen, se facilitará la instalación.

La manija de la puerta puede aflojarse con el paso del tiempo o si se instaló de manera incorrecta. Si esto sucediera, ajuste los tornillos de fijación en las manijas.

### Montaje de las manijas del refrigerador



### Montaje de la manija del congelador



# CONEXIÓN DEL SUMINISTRO DE AGUA



## ADVERTENCIA

Para evitar descargas eléctricas, que pueden provocar la muerte o lesiones personales severas, desconecte el refrigerador del suministro eléctrico antes de conectar una tubería de suministro de agua al refrigerador.



## ATENCIÓN

Para evitar daños materiales:

- Se recomienda el uso de tuberías trenzadas de cobre o acero inoxidable para la tubería de suministro de agua. No se recomienda el uso de tubería de suministro de agua de plástico de 1/4 de pulgada. El uso de tubería de plástico puede aumentar en gran medida las posibilidades de pérdidas de agua, y el fabricante no asume la responsabilidad por daños ocurridos si se usa una tubería de plástico como tubería de suministro.
- NO instale la tubería de suministro de agua en áreas donde las temperaturas serán bajo cero.
- El mal funcionamiento de un tratamiento de agua puede producir componentes químicos que pueden dañar el productor de hielo. Si el productor de hielo está conectado a agua blanda, verifique que el tratamiento de agua tenga un mantenimiento y funcionamiento correctos.



## IMPORTANTE

Verifique que sus tuberías de suministro de agua cumplan todos los códigos locales de plomería.

Antes de instalar la tubería de suministro de agua, necesitará:

- Herramientas básicas: llave inglesa, destornillador de cabeza plana y destornillador Phillips™
- Acceso a un suministro doméstico de agua fría con una presión de agua entre 30 y 100 psi.
- Una tubería de suministro de agua compuesta por tubería de 1/4 de pulgada (6,4 mm) de diámetro exterior, de cobre o acero inoxidable. Para determinar la longitud de la tubería necesaria, mida la distancia entre la válvula de entrada del productor de hielo en la parte posterior del refrigerador y su cañería de agua fría. Luego, agregue aproximadamente 7 pies (2,1 metros), para que pueda mover el refrigerador para la limpieza (como se ve).
- Una válvula de cierre para conectar la tubería de suministro de agua al sistema de suministro doméstico de agua. NO use una válvula de cierre del tipo autopercutor.
- Una tuerca de compresión y férula (manguito) para conectar una tubería de cobre para suministro de agua a la válvula de entrada del productor de hielo.



## NOTA:

Consulte a su autoridad local de construcción para obtener recomendaciones sobre tuberías de agua y materiales asociados antes de instalar su nuevo refrigerador. Según lo que dispongan los códigos de construcción locales/estatales, Frigidaire recomienda para las casas con válvulas existentes su equipo de tuberías de agua Smart Choice® 5305513409 (con una tubería de agua de acero inoxidable de 6 pies) y para casas sin una válvula existente, Frigidaire recomienda su equipo de tuberías de agua Smart Choice water® 5305510264 (con una tubería de agua de cobre de 20 pies con válvula de asiento autorroscante). Visite [www.frigidaire.com/store](http://www.frigidaire.com/store) para obtener más información.

Para conectar la tubería de suministro de agua a la válvula de entrada del productor de hielo

1. Desconecte el refrigerador de la alimentación eléctrica.
2. Coloque el extremo de la tubería de suministro de agua en el fregadero o en un balde. Coloque el suministro de agua en ENCENDIDO y purgue la tubería de suministro hasta que el agua salga clara. Coloque el suministro de agua en APAGADO en la válvula de cierre.
3. Quite la tapa de plástico de la entrada de la válvula de agua y descarte la tapa.
4. **Si usa tuberías de cobre:** deslice la tuerca de compresión de latón y luego la férula (manguito) en la tubería de suministro de agua. Empuje la tubería de suministro de agua hacia dentro de la entrada de la válvula de agua lo más posible (1/4 de pulgada/6,4 mm). Deslice la férula (manguito) en la entrada de la válvula y apriete manualmente la tuerca de compresión en la válvula. Apriete otra media vuelta con una llave; NO apriete en exceso. Consulte la Figura 1.
5. **Si usa tuberías de acero inoxidable:** la tuerca y la férula ya están armadas en la tubería. Deslice la tuerca de compresión hacia dentro de la entrada de la válvula y apriete manualmente la tuerca de compresión sobre la válvula. Apriete otra media vuelta con una llave; NO apriete en exceso. Consulte la Figura 2.
6. Con una abrazadera de acero y tornillo, fije la tubería de suministro de agua (únicamente tubería de cobre) al panel posterior del refrigerador como se indica.
7. Enrosque el exceso de tubería de suministro de agua (únicamente tubería de cobre), aproximadamente 2 1/2 vueltas, detrás del refrigerador como se indica y disponga la parte enroscada de tal manera que no vibre ni roce contra ninguna otra superficie.
8. Coloque el suministro de agua en ENCENDIDO en la válvula de cierre y apriete cualquier conexión que tenga pérdidas.
9. Vuelva a enchufar el refrigerador a la red.

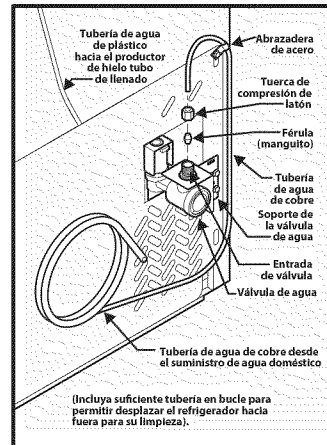


Figura 1

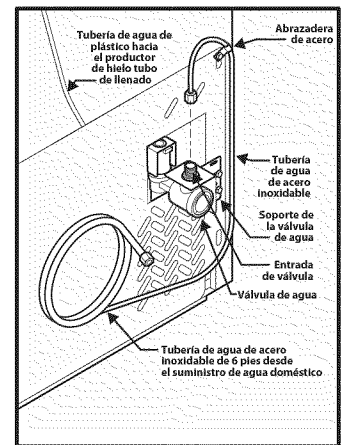


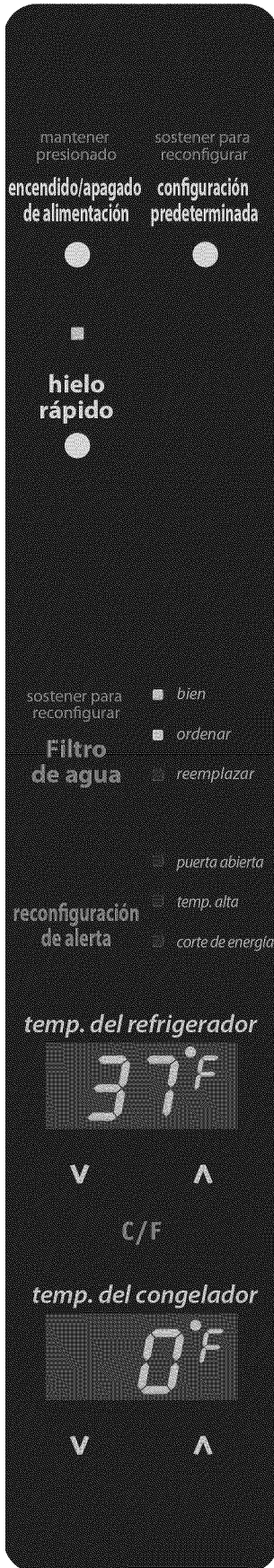
Figura 2



## IMPORTANTE

Después de conectar el suministro de agua, consulte "Cómo purgar el sistema de suministro de agua" para obtener información importante acerca de cómo purgar un sistema de suministro de agua vacío.

El sistema de suministro de agua de su refrigerador incluye varias tuberías, un filtro de agua, una válvula de agua y un tanque de agua. Para asegurarse de que el dispensador de agua funcione correctamente, este sistema debe llenarse por completo de agua cuando el refrigerador se conecta por primera vez a la línea de suministro doméstico de agua.



## IQ-Touch™

Una luz indicadora roja se ilumina sobre las funciones más activas.

Toque el ícono para activar las opciones que aparecen a continuación.

- hielo rápido** Aumenta la producción de hielo
- filtro de agua** Manténgalo presionado durante tres (3) segundos para reconfigurar después de cambiar el filtro.
- C/F** Toque para alternar entre la indicación en Fahrenheit y Celsius.
- valores predeterminados** Reajusta todos los valores del refrigerador como, por ejemplo, temperatura, indicador de temperatura y tonos a los valores predeterminados de fábrica.
- Encendido/apagado de alimentación** Manténgalo presionado durante tres (3) segundos para apagar el sistema de refrigeración para limpiar el refrigerador. Esto también apaga el productor de hielo. Las lecturas de la temperatura también se visualizan como APAGADO.
- Ahorro de energía** Mantenga este interruptor configurado en ahorro de energía (luz encendida) para obtener el menor uso de energía. Si aparece humedad en el gabinete entre las puertas, al presionar este botón, se apagará la luz y permitirá que un calentador eléctrico utilizado reduzca la humedad del gabinete entre las puertas.

### ➔ IMPORTANTE

Al presionar el ícono de **encendido/apagado del sistema**, el refrigerador no se apagará. Debe desenchufar el cable eléctrico del tomacorrientes de pared.

### Configuración de las temperaturas de refrigeración

Presione el indicador "∧" o "∨" para ajustar la temperatura al valor deseado.

El indicador de temperatura comienza a parpadear con el primer toque. El indicador se apaga después de 10 segundos y vuelve a la visualización básica.

### Alarmas

**Puerta abierta** Si la puerta ha quedado abierta durante un período prolongado, suena una alarma y el indicador de puerta abierta aparece en el indicador inferior del panel de control. La alarma se desactiva cerrando la puerta. La tecla de silenciar sonidos parpadea para solicitar que se restauren las alarmas activas. Presione esta tecla para restaurar cualquier alarma del sistema.

**Temp. alta** En caso de que se produzca una condición de temperatura alta, el indicador de temperatura parpadea y aparece "ALTO". Después de veinte minutos, suena la alarma y el indicador de **temp. alta** aparece en rojo en la parte inferior del panel de control. El ícono **silenciar sonidos** se ilumina hasta que se presiona, indicando que se recibió la alarma, en cuyo momento se muestra la temperatura más alta alcanzada y el refrigerador reanuda el modo de funcionamiento normal. En caso de que no se confirme la alarma de temperatura alta la primera vez que suena la alarma, cuando se abre la puerta por primera vez, el sonido de la alarma se repite.

**Corte de energía** En caso de que se produzca un corte de energía, aparece la alarma de **corte de energía** y el indicador de temperatura parpadea hasta que se presiona el ícono **silenciar sonidos**, indicando que se recibió la alarma. Es posible que se desactiven otros modos hasta que se indique el conocimiento de la alarma. La alarma de **corte de energía** se desactiva y el refrigerador reanuda su modo de funcionamiento normal. **La alarma de temp. alta también se puede iluminar hasta que se haya alcanzado un nivel seguro de temperatura de funcionamiento.**

## **Modo Sabbat de IQ-Touch™**

El modo Sabbat es una función que desactiva partes del refrigerador y sus controles, según la observancia semanal del Sabbat y de los días festivos religiosos de la comunidad judía ortodoxa.

El modo Sabbat se activa y desactiva manteniendo presionados los indicadores "v" del congelador y "^" del refrigerador durante cinco (5) segundos. El indicador muestra "Sb" cuando está en modo Sabbat.

En el modo Sabbat, la alarma de temperatura alta se activa por motivos de salud. Si se activa una alarma de temperatura alta durante este tiempo, por ejemplo, debido a que una puerta ha quedado entreabierta, suena la alarma de manera intermitente durante aproximadamente diez minutos. Luego la alarma deja de sonar automáticamente y se visualiza un ícono de temperatura alta rojo. El ícono de temperatura alta se sigue visualizando, incluso si la puerta se cierra, hasta que se sale del modo Sabbat y el ícono se restaura. El refrigerador vuelve a funcionar normalmente una vez que la puerta se cierra, sin violar de modo alguno el Sabbat o los días festivos religiosos.

Si necesita ayuda adicional, pautas para el uso adecuado y una lista completa de modelos con la función Sabbat, visite el sitio web en <http://www.star-k.org>.

### **NOTA:**

Mientras se encuentra en modo Sabbat, ni las luces ni el panel de mandos funcionan hasta que el modo Sabbath se desactive.

El refrigerador se mantiene en modo Sabbat después de la recuperación tras un corte de energía. Se debe desactivar usando los botones ubicados en el panel de control.

# PRODUCTOR AUTOMÁTICO DE HIELO

## Funcionamiento y cuidado del productor de hielo

Después de que el refrigerador se ha instalado de forma adecuada, el productor de hielo puede fabricar hielo dentro de las veinticuatro horas. Puede llenar por completo un compartimiento para hielo en alrededor de tres (3) días.

Al usar el productor de hielo por primera vez y para que el productor de hielo funcione correctamente, es necesario purgar el aire de la tubería del filtro de agua. Una vez que el productor de hielo comienza a fabricar hielo, deje que el balde se llene por completo, luego descarte los DOS (2) primeros cajones de hielo COMPLETOS. Tardará por lo menos dos (2) días para llenar por completo el cajón en el modo de fabricación de hielo normal o 1 1/2 día en el modo de fabricación de hielo rápida.

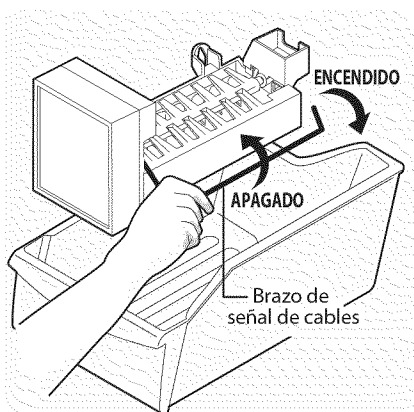
El productor de hielo fabrica aproximadamente cuatro (4) libras de hielo cada veinticuatro horas, según las condiciones de uso.

### ➔ IMPORTANTE

El productor de hielo se activa en la fábrica de modo que pueda comenzar a funcionar en cuanto instale el refrigerador. Si no puede conectar un suministro de agua, levante el brazo de señal metálico del productor de hielo para desactivarlo. En caso contrario, la válvula de llenado del productor de hielo puede hacer un ruido fuerte de castañeteo al intentar funcionar sin agua.

## Encendido y apagado del productor de hielo

La fabricación de hielo se controla levantando o bajando el **brazo de señal metálico** del productor de hielo. Para acceder al productor de hielo, retire el cajón del congelador. Levante el brazo de señal metálico para poner el productor de hielo en APAGADO y baje el brazo de señal metálico para ENCENDIDO.



## Consejos para fabricar hielo

- Si el refrigerador no está conectado a un suministro de agua o si el suministro de agua está apagado, desconecte el productor de hielo levantando el brazo de señal metálico.

- Es normal escuchar los siguientes sonidos cuando el productor de hielo está funcionando:
  - Motor funcionando
  - Hielo que cae en el compartimiento para hielo
  - Válvula de agua que se abre o cierra
  - Agua que circula
- Si se conservan los cubos de hielo durante un período prolongado, pueden adquirir un sabor desagradable. Vacíe el compartimiento para hielo como se explica a continuación.

## Función de hielo rápido

Su refrigerador está equipado con una Función de hielo rápido que aumenta la fabricación de hielo. Esta función finaliza automáticamente.

### ⚠ ATENCIÓN

Si el suministro de agua hacia el refrigerador recibe tratamiento para ablandar el agua, asegúrese de mantener el tratamiento de forma adecuada. El tratamiento de agua puede producir componentes químicos que pueden dañar el productor de hielo.

## Limpieza del productor de hielo

Limpie el productor de hielo y el compartimiento para hielo a intervalos regulares, especialmente antes de irse de vacaciones o mudarse.

- 1 Apague el productor de hielo.
- 2 Retire el compartimiento para hielo.
- 3 Vacíe y limpie cuidadosamente el compartimiento para hielo con detergente suave. No utilice limpiadores abrasivos o agresivos. Enjuague con agua limpia.
- 4 Deje que el compartimiento para hielo se seque por completo antes de volver a colocarlo en el congelador.
- 5 Vuelva a colocar el compartimiento de hielo. Encienda el productor de hielo.

Retire y vacíe el compartimiento para hielo si:

- Un corte de energía prolongado (una hora o más) hace que los cubos de hielo que están en el compartimiento para hielo se derritan y se congelen en forma de bloque.

Retire el compartimiento para hielo y sacúdalo para aflojar los cubos o límpielo como se explica anteriormente.

### ⚠ ATENCIÓN

NUNCA use un picahielos o instrumento puntiagudo similar para romper el hielo. Esto podría dañar el compartimiento para hielo y el mecanismo del dispensador.

Para aflojar el hielo pegado, use agua caliente. Antes de volver a colocar el compartimiento para hielo, verifique que esté completamente seco.

# FUNCIONES DE ALMACENAMIENTO

## ATENCIÓN

Para evitar lesiones debido a roturas, manipule los estantes de vidrio templado con cuidado.

## NOTA:

Las características pueden variar según el modelo.

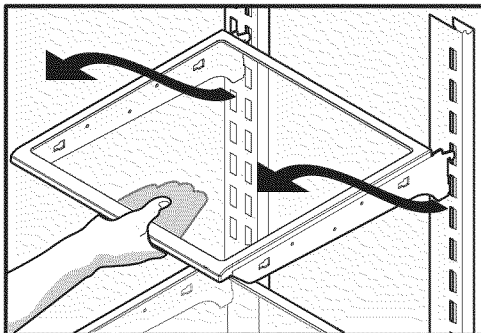
Su refrigerador incluye estantes de vidrio SpillSafe™ que están diseñados para contener y retener los derrames accidentales.

Puede ajustar con facilidad las posiciones de los estantes en los compartimientos de alimentos frescos para que se adapten a sus necesidades. Los estantes tienen soportes de montaje que se colocan en los soportes ranurados ubicados en la parte trasera de cada compartimento.

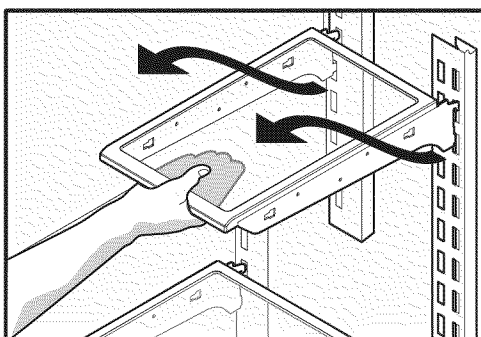
### Para cambiar la posición de un estante:

- 1 Antes de ajustar un estante, retire todos los alimentos.
- 2 Levante la parte delantera del estante y jale para sacarlo.
- 3 Vuelva a colocarlo insertando los ganchos del soporte de montaje en las ranuras del soporte deseado.
- 4 Baje el estante y trábelo en la posición correcta.

## Características de los estantes



Estante SpillSafe™ completo



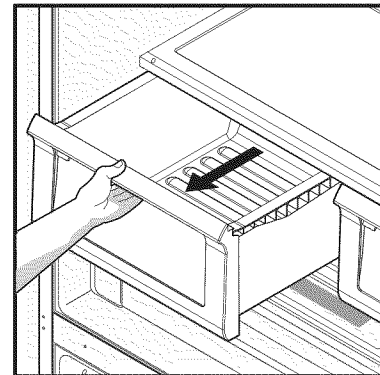
Estante SpillSafe™ medio

## Cajones

Su refrigerador incluye diferentes tipos de cajones para almacenamiento. Estos cajones están ubicados en posiciones fijas en la parte inferior del compartimento para alimentos frescos.

## Cajones para frutas y verduras

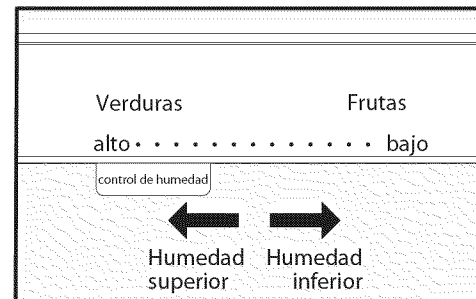
Los cajones para frutas y verduras están diseñados para almacenar frutas, verduras y otros productos frescos.



Apertura del cajón de frutas y verduras

### Control de humedad de los cajones para frutas y verduras

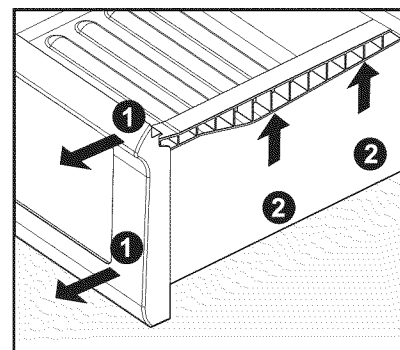
Los cajones para frutas y verduras incluyen un control deslizante para ajustar la humedad dentro del cajón. Las verduras de hoja se mantienen mejor cuando se almacenan con el Control de humedad colocado en el nivel Humedad superior. Las frutas frescas se mantienen mejor cuando se almacenan con el Control de humedad colocado en el nivel de Humedad inferior.



### Ajuste de la humedad del cajón de frutas y verduras

#### Para sacar el cajón de frutas y verduras para su limpieza:

- 1 Tire del cajón hacia afuera hasta que se detenga.
- 2 Levante levemente la parte delantera y retire el cajón.

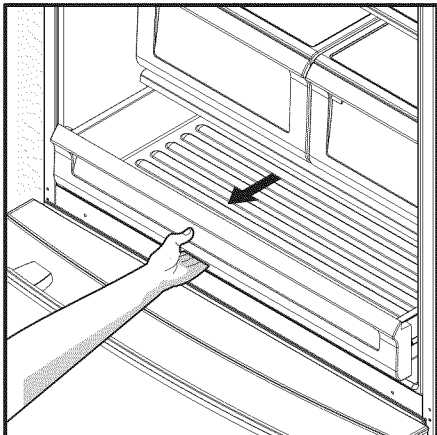


Cómo quitar el cajón de frutas y verduras

# FUNCIONES DE ALMACENAMIENTO

## Cajón para alimentos

Ideal para el almacenamiento de carnes y quesos selectos.



## Puertas

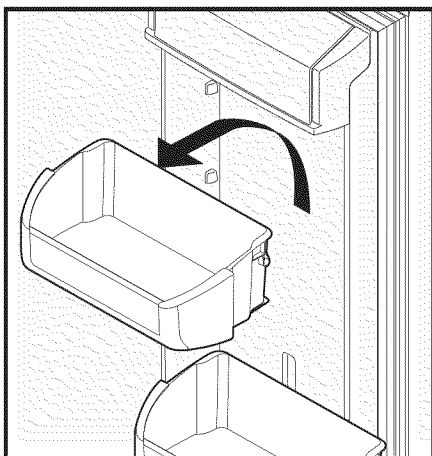
### Compartimientos

Las puertas de su compartimiento de alimentos frescos usan un sistema de compartimientos modulares. Todos estos compartimientos se pueden sacar para facilitar su limpieza. Algunos de ellos tienen posiciones fijas, mientras que otros se pueden ajustar según sus necesidades.

Los compartimientos de las puertas son ideales para guardar frascos, botellas, latas y recipientes de bebidas grandes. También permiten seleccionar rápidamente los artículos que se usan con frecuencia.

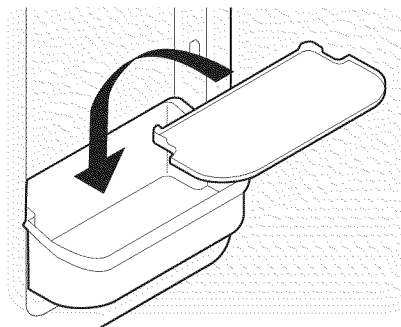
### Para cambiar la posición de un compartimiento ajustable de la puerta:

- 1 Antes de ajustar un compartimiento, retire todos los alimentos.
- 2 Sujete el compartimiento con firmeza con ambas manos y levántelo.
- 3 Retire el compartimiento.
- 4 Coloque el compartimiento justo encima de la posición deseada.
- 5 Baje el compartimiento sobre los soportes hasta que quede fijado en su lugar.



Compartimiento de puerta ajustable

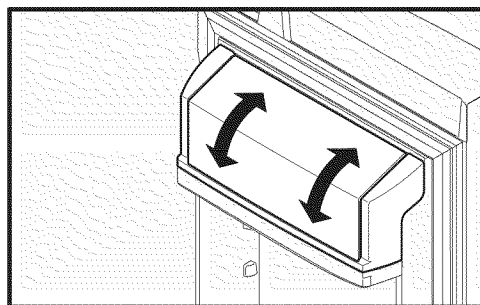
- 6 Coloque el revestimiento del compartimiento en el compartimiento.



## Accesorios (varían según el modelo)

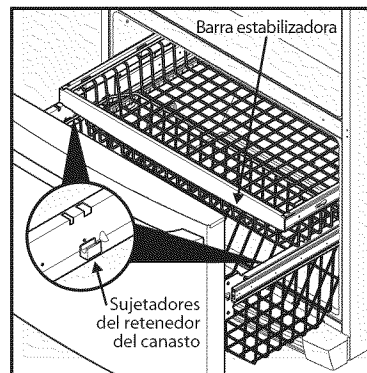
### Compartimiento de lácteos

Use el compartimiento de lácteos, en la parte superior de la puerta del compartimiento de alimentos frescos, para guardar por períodos cortos queso, productos untables o mantequilla. El compartimiento de lácteos está diseñado para tener una temperatura más alta que el área abierta e incluye una cubierta que se levanta y un tabique para lácteos (modelos selectos).



Compartimiento de lácteos

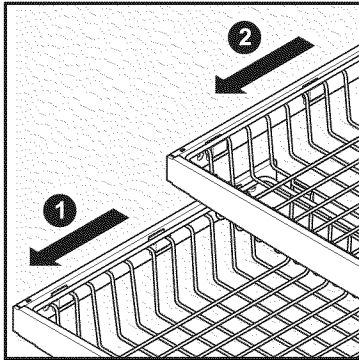
## Accesorios del congelador (varían según el modelo)



Los dos canastos del congelador

## Para quitar el canasto superior

- 1 Quite todos los artículos del canasto.
- 2 Quite el canasto tirando hacia afuera de él hasta su máxima extensión y levántelo.



**Extracción del canasto superior**

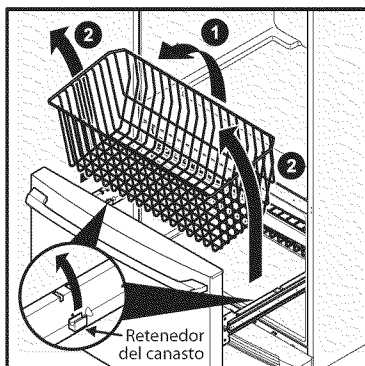
Para volver a colocar el canasto superior, posicione el canasto sobre los ganchos de retención, verificando que la parte frontal del canasto se apoye sobre los ganchos de retención en la barra estabilizadora.

### NOTA:

Si el canasto no queda apoyado en los ganchos de retención en la barra estabilizadora, el cajón no se cerrará correctamente.

## Para quitar el canasto inferior

- 1 Quite todos los artículos del canasto.
- 2 Saque el canasto inclinándolo hacia adelante y levantándolo de los ganchos de retención.

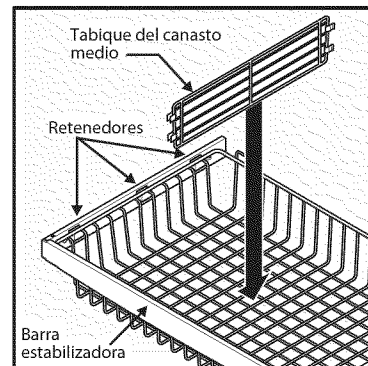


**Para quitar el canasto inferior**

Para volver a colocar el canasto inferior, inserte el canasto en los ganchos de retención.

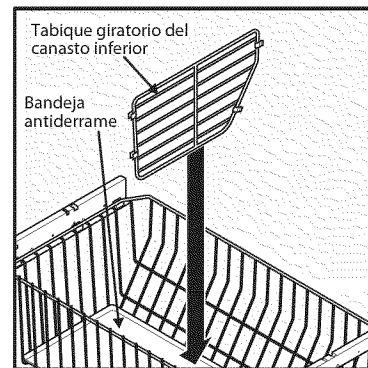
## Para quitar los tabiques

Levante la parte frontal del tabique medio y tire hacia afuera.



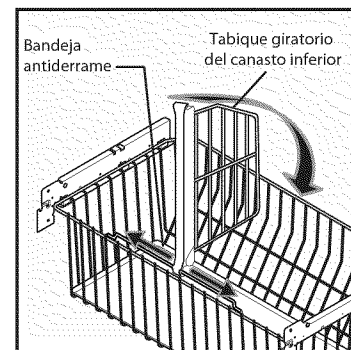
**Tabique del canasto medio**

Levante la parte posterior del tabique inferior y tire hacia afuera.



**Tabique del canasto inferior y bandeja antiderrame**

Para volver a posicionar el tabique giratorio (en algunos modelos), levántelo y deslícelo a la ubicación deseada. El tabique giratorio no está diseñado para sacarlo del refrigerador.



**Tabique giratorio de canasto inferior (algunos modelos)**

### NOTA

La bandeja antiderrame debe lavarse a mano con agua caliente.



# CÓMO GUARDAR LOS ALIMENTOS Y AHORRAR ENERGÍA

## Ideas para guardar alimentos

### Alimentos frescos

- Mantenga el compartimiento de alimentos frescos entre 34 °F (1 °C) y 40 °F (4 °C) con una temperatura óptima de 37 °F (3 °C).
- Evite sobrecargar los estantes del refrigerador, dado que esto reduce la circulación de aire y hace que el enfriamiento sea irregular.

### Frutas y verduras

- Guarde las frutas y verduras en los cajones de frutas y verduras, donde la humedad atrapada ayuda a preservar la calidad de los alimentos durante períodos más prolongados.
- Lave los alimentos y elimine el agua en exceso.
- Envuelva los alimentos que tengan olores fuertes o alto contenido de humedad.

### Carne

- Envuelva la carne y las aves crudas por separado y herméticamente, para evitar pérdidas y contaminación de otros alimentos o superficies.
- Utilice el cajón para alimentos para guardar carnes/aves para almacenamiento a corto plazo. Cualquier carne que deba conservarse por más de dos (2) días debe congelarse.

### Almacenamiento de alimentos congelados

- Mantenga el compartimiento del congelador a 0 °F o menos.
- Un congelador opera de forma más eficiente cuando tiene por lo menos  $\frac{2}{3}$  de su capacidad llena.

### Empaque de alimentos para congelar

- Para reducir al mínimo la deshidratación de los alimentos y el deterioro de la calidad, use papel de aluminio, envoltorios para congelador, bolsas para congelador o recipientes herméticos. Extraiga todo el aire que pueda de los paquetes y ciérrelos herméticamente. El aire atrapado puede hacer que los alimentos se resequen, cambien de color o desarrollen un sabor desagradable (quemadura de congelador).
- Envuelva las carnes y aves frescas con envoltorios adecuados para congelador antes de congelar.
- No vuelva a congelar carne que se haya descongelado por completo.

### Carga del congelador

- Antes de comprar alimentos, active la función de "congelamiento rápido" para que, cuando vuelva, pueda conservar los alimentos recién comprados destinados al

congelador lo más rápido posible.

- Al activar la función de "congelamiento rápido" también ayuda al congelador a mantener con mayor eficiencia la temperatura seleccionada después de colocar los alimentos recién comprados junto con alimentos que ya se encontraban congelados.
- Evite colocar simultáneamente demasiados alimentos calientes en el congelador. Esto sobrecarga el congelador, reduce la velocidad de congelamiento y puede elevar la temperatura de los alimentos congelados.
- Deje espacio entre los paquetes, de manera que el aire frío circule libremente, permitiendo que los alimentos se congelen lo más rápido posible.

## Ideas para ahorrar energía

### Instalación

- Ubique el refrigerador en la parte más fresca de la habitación, donde no dé la luz solar directa, y alejado de registros o cañerías de la calefacción.
- No coloque el refrigerador cerca de artefactos que emitan calor, como cocinas, hornos o lavavajillas. Si esto no es posible, una sección de muebles de cocina o una capa adicional de aislamiento entre los dos (2) artefactos ayudará a que el refrigerador funcione con mayor eficiencia.
- Nivele el refrigerador para que las puertas se cierren herméticamente.

### Ajuste de la temperatura

- Consulte la sección "Mandos" para conocer los procedimientos de ajuste de la temperatura.

### Almacenamiento de alimentos

- Evite sobrecargar el refrigerador o bloquear las salidas de aire frío. Esto hace que el refrigerador opere por más tiempo y gaste más energía.
- Cubra los alimentos y seque los recipientes con un paño antes de colocarlos en el refrigerador. Esto disminuye la acumulación de humedad dentro de la unidad.
- Organice el refrigerador para reducir la cantidad de veces que es necesario abrir la puerta. Retire tantos artículos como sea necesario una sola vez y cierre la puerta lo antes posible.
- No coloque un recipiente caliente directamente sobre un estante frío. Recuerde que un cambio de temperatura tan extremo puede dañar el vidrio.

## INDICACIONES SONORAS Y VISUALES DE FUNCIONAMIENTO NORMAL

### Conozca los sonidos que puede oír

Su nuevo refrigerador de alta eficiencia puede producir sonidos con los que no esté familiarizado. Estos sonidos por lo general indican que su refrigerador está funcionando correctamente. Algunas superficies en pisos, paredes y armarios de cocina pueden hacer que estos sonidos sean más audibles.

La siguiente es una lista de todos los componentes importantes de su refrigerador y los sonidos que pueden causar:

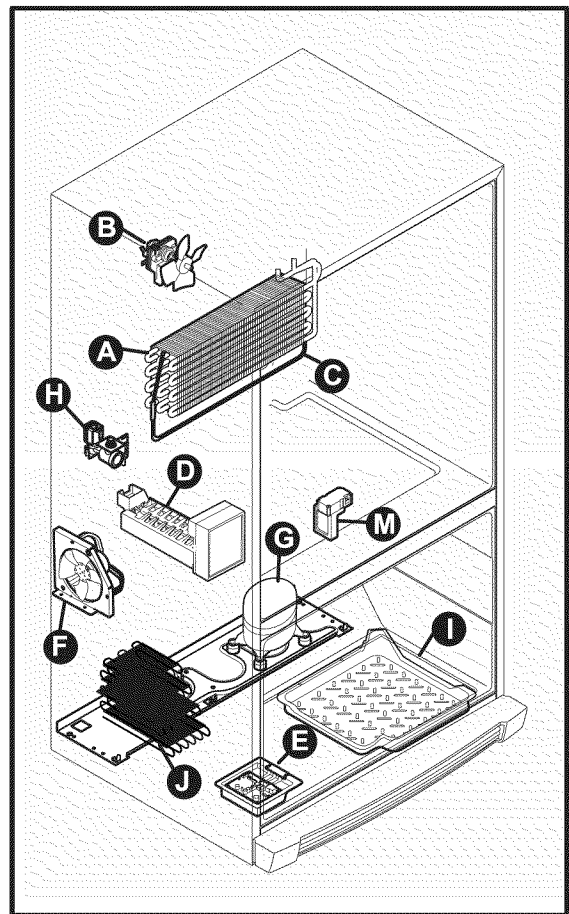
- A Evaporador** El refrigerante que pasa por el evaporador puede producir un sonido de ebullición o gorgoteo.
- B Ventilador del evaporador** Es posible que escuche la salida de aire forzado del refrigerador por el ventilador del evaporador.
- C Calentador del descongelador** Durante los ciclos de descongelamiento, el agua que gotea en el calentador del descongelador puede producir un siseo. Después de descongelar, se puede escuchar un chasquido.
- D Productor automático de hielo** Cuando se produce hielo, se escucha el sonido de los cubos de hielo que caen en el compartimiento de hielo. El ventilador del productor de hielo, la activación de la válvula de agua y el fluido de gas refrigerante pueden producir sonidos al funcionar.
- E Control electrónico y control de descongelamiento automático** Estas piezas pueden producir un chasquido seco cuando se enciende y apaga el sistema de enfriamiento.
- F Ventilador del condensador** Es posible que escuche la salida de aire forzado por el condensador.
- G Compresor** Los compresores modernos y de alta eficiencia funcionan mucho más rápido que los modelos más antiguos. El compresor puede emitir un murmullo de tono alto o sonido pulsante.
- H Válvula de agua** Produce un zumbido cada vez que se abre para llenar el productor de hielo.
- I Bandeja de desagüe (no desmontable)** Es posible que escuche el goteo de agua en la bandeja de desagüe durante el ciclo de descongelamiento.
- J Condensador** Es posible que produzca sonidos muy bajos de aire forzado.
- M Amortiguador motorizado** Es posible que produzca un suave murmullo mientras funciona.

#### 📌 NOTA:

La espuma de eficiencia energética de su refrigerador no es un aislante de sonidos.

#### 📌 NOTA:

Durante el ciclo de descongelación automático, es normal un resplandor rojo en la pared posterior del compartimiento de su congelador.



## CAMBIO DEL FILTRO

### Ubicación de los filtros

Su refrigerador está equipado con un sistema filtrante para el agua. El sistema filtrante para el agua filtra toda el agua potable dispensada, como así también el agua utilizada para producir hielo.

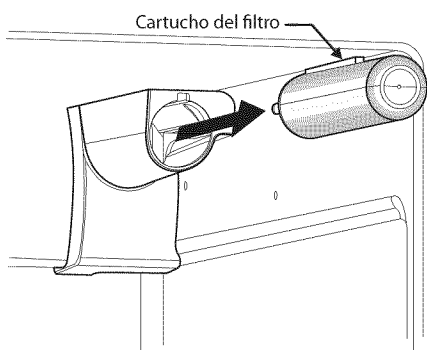
### Filtro de agua

El filtro de agua está ubicado en la parte superior derecha del compartimiento de alimentos frescos.

### Reemplazo del filtro de agua

En general, debe cambiar el filtro de agua cada seis meses para garantizar la mejor calidad de agua posible. La luz de **Estado del filtro de agua** en la interfaz del usuario le indica que reemplace el filtro después de que una cantidad estándar de agua (200 galones/757 litros por **PureSource Ultra™**) haya fluído a través del sistema. La NSF no ha comprobado ni certificado la luz de estado del filtro del agua de este modelo.

Si no ha utilizado el refrigerador durante un tiempo (mientras realizaba una mudanza, por ejemplo), cambie el filtro antes de volver a instalar el refrigerador.



### Pedido de filtros de repuesto

Para solicitar sus filtros de repuesto, visite nuestra tienda en línea en [www.frigidaire.com/store](http://www.frigidaire.com/store), llame al número gratuito al 877-808-4195 o visite al distribuidor donde adquirió su refrigerador. Frigidaire recomienda que solicite filtros adicionales cuando instala por primera vez su refrigerador y que reemplace sus filtros al menos una vez cada seis meses.

El número de producto para pedidos es:

**Filtro de agua PureSource Ultra™**  
N.º de pieza **ULTRAWF**

### Más información sobre su filtro de agua avanzado



El sistema filtrante **PureSource Ultra™** para el agua y el hielo ha sido probado y certificado según las Normas NSF/ANSI 42 y 53 para la reducción de reclamos especificados en la hoja de datos de desempeño.

No utilice este sistema con agua que no sea microbiológicamente segura o de calidad desconocida sin un tratamiento desinfectante adecuado antes o después de pasar por el sistema filtrante. Los sistemas certificados para la reducción de quistes pueden ser usados con agua desinfectada que puede contener quistes filtrables.

### Resultados de certificación y prueba:

- Capacidad nominal: 200 galones/757 litros por filtro de agua y hielo **PureSource Ultra™**
- Flujo de servicio nominal: 0,50 galones (2 litros) por minuto
- Temp. de funcionamiento: Mín. 33 °F (1 °C), Máx. 100 °F (38 °C)
- Presión máxima nominal: 100 libras por pulgada cuadrada
- Presión mínima recomendada para el funcionamiento: 30 libras por pulgada cuadrada

### Para reemplazar su filtro de agua PureSource Ultra™:

No es necesario desactivar el suministro de agua para cambiar el filtro. Esté listo para secar cualquier pequeña cantidad de agua que se libere durante el cambio del filtro.

- 1 Apague el productor de hielo al levantar el brazo de señal metálico.
- 2 Extraiga el filtro empujando el extremo o la parte frontal del filtro.
- 3 Deslice el antiguo cartucho del filtro de agua directamente fuera del compartimiento y descártelo.
- 4 Desenvuelva el nuevo cartucho del filtro. Mediante el uso de la guía de alineación, deslícelo suavemente dentro del compartimiento del filtro hasta que se detenga contra el conector de ajuste a presión en la parte posterior del compartimiento.
- 5 **Empuje con firmeza hasta que el cartucho se enganche en el lugar (debe escuchar un chasquido mientras el cartucho engancha el conector de ajuste a presión).**
- 6 Encienda el productor de hielo al bajar el brazo de señal metálico.
- 7 Mantenga presionado el botón de **Filtro de agua** en el panel de control del Dispensador de agua y hielo durante tres segundos. Cuando cambie la pantalla de **rojo a verde**, el estado se ha configurado.
- 8 Después de cambiar el filtro de agua y para que el productor de hielo funcione correctamente, es necesario purgar el aire de la tubería del filtro de agua. Una vez que el productor de hielo comienza a fabricar hielo, deje que el balde se llene por completo, luego descarte los DOS primeros cajones de hielo **COMPLETOS**. Tardará por lo menos dos (2) días para llenar por completo el cajón en el modo de fabricación de hielo normal o 1 1/2 día en el modo de fabricación de hielo rápida.

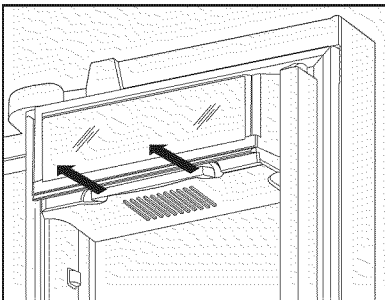
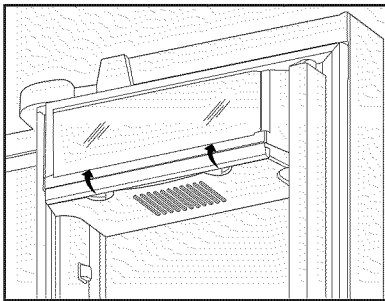
## Filtro de aire

El filtro de aire está ubicado debajo del compartimento utilitario.

### Cambio del filtro de aire PureAdvantage™

Para garantizar el filtrado óptimo de los olores del refrigerador, debe cambiar el filtro de aire cada seis (6) meses (la luz de estado del filtro en el panel táctil le indica que cambie el filtro después de seis (6) meses).

- 1 Abra la puerta del filtro de aire.
- 2 Retire el filtro viejo y descártelo.
- 3 Desenvuelva el nuevo filtro y deslícelo dentro del compartimento.
- 4 Para cerrar la puerta del filtro de aire, empuje la parte superior e inferior para trabar y cerrar la puerta.
- 5 Mantenga presionado el botón de **Reajuste del filtro de aire** en el panel de control durante tres (3) segundos. Cuando el indicador cambia de "Sustituir" a "Bien", el estado se ha restaurado.
- 6 El indicador de **Reajuste del filtro de aire** se apaga automáticamente después de unos pocos segundos.



## Pedido de filtros de repuesto

Realice su pedido de nuevos filtros llamando al 877-808-4195, en Internet en [www.frigidaire.com/store](http://www.frigidaire.com/store) o a través del distribuidor donde adquirió su refrigerador. Es recomendable que pida filtros adicionales cuando instale por primera vez el refrigerador.

Cartucho de repuesto del filtro de aire, pieza N.º **PAULTRA**

## CUIDADO Y LIMPIEZA

### Proteja su inversión

El refrigerador se debe mantener limpio para que conserve su aspecto y para evitar la acumulación de olores. Limpie inmediatamente cualquier derrame de líquidos y limpie el congelador y los compartimientos de alimentos frescos por lo menos dos veces por año.

#### **NOTA:**

No use limpiadores abrasivos como rociadores limpiaventanas, limpiadores para restregado, líquidos inflamables, ceras limpiadoras, detergentes concentrados, blanqueadores o limpiadores que contengan productos derivados del petróleo en los componentes plásticos, puertas interiores, juntas o revestimientos del gabinete. No use toallas de papel, esponjas de restregar o cualquier otro material abrasivo de limpieza.

- Nunca use esponjas o cepillos metálicos, limpiadores abrasivos o soluciones alcalinas fuertes en ninguna de las superficies.
- Nunca limpie las superficies de acero inoxidable con CLORO o limpiadores que contengan blanqueadores.
- No lave ninguna pieza desmontable en el lavavajillas.
- Desenchufe siempre el cable eléctrico del tomacorrientes antes de la limpieza.

#### **NOTA:**

Si ajusta los controles de temperatura para desactivar la refrigeración, el suministro eléctrico para las luces y otros componentes eléctricos permanecerá activado hasta que desenchufe el cable eléctrico del tomacorrientes de pared.

- Retire a mano las etiquetas autoadhesivas. No use navajas de afeitar ni ningún otro instrumento afilado que pueda rayar la superficie del electrodoméstico.
- No retire la placa de serie. Si retira la placa de serie, su garantía quedará anulada.
- Antes de mover el refrigerador, levante los soportes antivuelco para que los rodillos funcionen correctamente. Esto evitará que se dañe el piso.

#### **ATENCIÓN**

- Tire del refrigerador en dirección recta hacia afuera para moverlo. Si lo mueve de un lado a otro puede dañar el revestimiento del piso. Tenga cuidado de no desplazar el refrigerador más allá de las conexiones de plomería.
- Los objetos húmedos se pegan en las superficies frías de metal. No toque la superficie refrigerada con las manos mojadas o húmedas.

#### **IMPORTANTE**

Si usted guarda o mueve su refrigerador en temperaturas de congelación, asegúrese de desagotar completamente el sistema de suministro de agua. De lo contrario, pueden producirse pérdidas de agua cuando el refrigerador sea puesto de nuevo en funcionamiento. Póngase en contacto con un representante del servicio técnico para ejecutar esta operación.

Consulte la guía que aparece en la página siguiente para obtener detalles sobre el cuidado y la limpieza de zonas específicas del refrigerador.

## Sugerencias de cuidado y limpieza

Pieza	Agentes de limpieza	Sugerencias y precauciones
Interior y revestimiento de las puertas	<ul style="list-style-type: none"> <li>• Agua y jabón</li> <li>• Bicarbonato de sodio y agua</li> </ul>	<ul style="list-style-type: none"> <li>• Use dos (2) cucharadas de bicarbonato de sodio en un (1) cuarto litro de agua caliente.</li> <li>• Asegúrese de escurrir el excedente de agua de la esponja o paño antes de limpiar los controles, la lámpara o cualquier otra pieza eléctrica.</li> </ul>
Juntas de la puerta	<ul style="list-style-type: none"> <li>• Agua y jabón</li> </ul>	<ul style="list-style-type: none"> <li>• Limpie las juntas con un paño limpio y suave.</li> </ul>
Cajones y compartimientos	<ul style="list-style-type: none"> <li>• Agua y jabón</li> </ul>	<ul style="list-style-type: none"> <li>• Use un paño suave para limpiar los rieles de los cajones.</li> <li>• No lave ningún componente desmontable (compartimientos, cajones, etc.) en el lavavajillas.</li> </ul>
Estantes de vidrio	<ul style="list-style-type: none"> <li>• Agua y jabón</li> <li>• Limpiavidrios</li> <li>• Rociadores de líquido suave</li> </ul>	<ul style="list-style-type: none"> <li>• Espere a que el vidrio tome temperatura ambiente antes de sumergirlo en agua caliente.</li> </ul>
Rejilla inferior	<ul style="list-style-type: none"> <li>• Agua y jabón</li> <li>• Rociadores de líquido suave</li> <li>• Aspiradora</li> </ul>	<ul style="list-style-type: none"> <li>• Retire la rejilla inferior (consulte las instrucciones de instalación).</li> <li>• Aspire ambos lados y límpielos con una esponja o paño con espuma de jabón. Enjuague y seque.</li> </ul>
Exterior y manijas	<ul style="list-style-type: none"> <li>• Agua y jabón</li> <li>• Limpiavidrios no abrasivo</li> </ul>	<ul style="list-style-type: none"> <li>• No use limpiadores comerciales domésticos que contengan amoníaco, blanqueadores o alcohol para limpiar las manijas.</li> <li>• Use un paño suave para limpiar las manijas lisas.</li> <li>• No limpie las puertas lisas con un paño seco.</li> </ul>
Exterior y manijas (modelos de acero inoxidable solamente)	<ul style="list-style-type: none"> <li>• Agua y jabón</li> <li>• Limpiadores de acero inoxidable</li> </ul>	<ul style="list-style-type: none"> <li>• Nunca limpie las superficies de acero inoxidable con CLORO o limpiadores que contengan blanqueadores.</li> <li>• Limpie la parte delantera y las manijas de acero inoxidable con un paño y agua jabonosa no abrasiva. Enjuague con agua limpia y paño suave.</li> <li>• Use un limpiador de acero inoxidable no abrasivo. Estos limpiadores pueden adquirirse en la mayoría de los grandes almacenes o tiendas de mejoras para el hogar. Siga siempre las instrucciones del fabricante. No use limpiadores domésticos que contengan amoníaco o blanqueadores.</li> <li>• NOTA: Siempre limpie, enjuague y seque en el sentido del grano para evitar arañar la superficie.</li> <li>• Lave el resto del gabinete con agua caliente y detergente líquido suave. Enjuague bien y seque con un paño suave.</li> </ul>

## Sugerencias para vacaciones y mudanzas

Ocasión	Consejos
Vacaciones cortas	<ul style="list-style-type: none"> <li>• Deje el refrigerador en funcionamiento si sale de vacaciones durante tres (3) semanas o menos.</li> <li>• Consuma todos los alimentos perecederos del refrigerador.</li> <li>• Apague el productor automático de hielo y vacíe el cajón de hielo, incluso si se va sólo por unos pocos días.</li> </ul>
Vacaciones largas	<ul style="list-style-type: none"> <li>• Saque todos los alimentos y el hielo del refrigerador si se va de vacaciones por un (1) mes o más.</li> <li>• Apague el sistema de refrigeración (consulte la ubicación de la tecla Encendido/apagado en la sección "Controles") y desenchufe el artefacto.</li> <li>• Cierre la válvula de suministro de agua.</li> <li>• Limpie bien el interior del refrigerador.</li> <li>• Deje ambas puertas abiertas para evitar la acumulación de olores y de moho. De ser necesario, trabee las puertas para que queden abiertas.</li> </ul>
Mudanza	<ul style="list-style-type: none"> <li>• Retire todos los alimentos y el hielo del interior.</li> <li>• Si va a usar una carretilla, levante el refrigerador desde un costado.</li> <li>• Ajuste los rodillos totalmente hacia arriba para protegerlos durante el deslizamiento o la mudanza.</li> <li>• Proteja el gabinete con algún material adecuado para evitar arañar la superficie.</li> </ul>

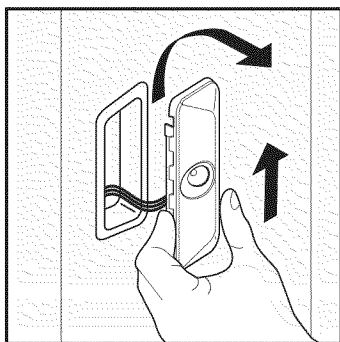
## CUIDADO Y LIMPIEZA

### Reemplazo de las luces LED (modelos selectos)

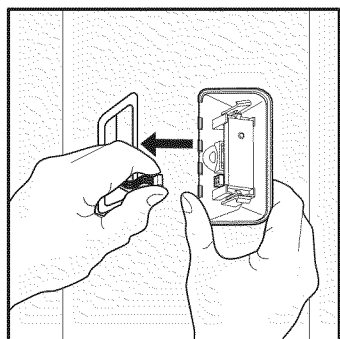
Los compartimientos de alimentos frescos de su refrigerador pueden tener luces LED. Utilice siempre piezas de repuesto Frigidaire.

#### Para reemplazar las luces LED:

- 1 Desenchufe el cable eléctrico del refrigerador.
- 2 Retire la cubierta de la luz presionando hacia arriba y hacia afuera.
- 3 Sostenga la cubierta de la luz LED con una mano y tire del conector con la otra mientras oprime el pestillo del conector.
- 4 Coloque la luz LED nueva y ajústela en su lugar verificando que la luz esté orientada hacia dentro de la unidad (hacia el interior de los alimentos frescos) o, en el caso de la parte inferior de las puertas del refrigerador, que quede orientada hacia afuera.



Para quitar la luz LED



Para quitar el arnés de la luz LED

#### NOTA:

Las luces LED están conectadas en serie, por lo que si una de ellas se daña o se desconecta, varias luces dejarán de funcionar.

### Reemplazo de las lámparas (modelos selectos)

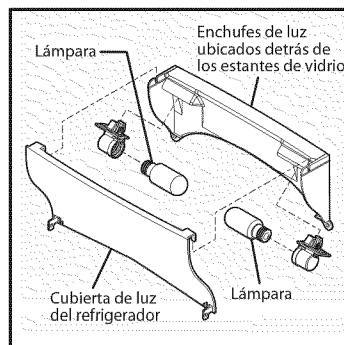
Tanto el congelador como los compartimientos para alimentos frescos del refrigerador contienen lámparas incandescentes que deberán ser reemplazadas de vez en cuando. Algunas luces tienen cubiertas que hay que retirar antes de reemplazar las lámparas. Use siempre lámparas diseñadas especialmente para electrodomésticos.

#### ATENCIÓN

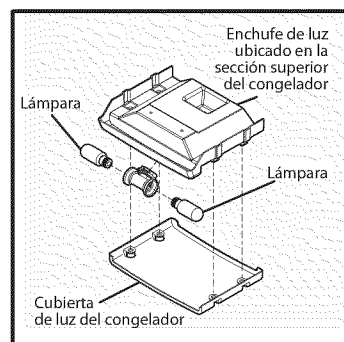
Use guantes cuando reemplace las lámparas incandescentes para evitar cortes.

#### Para reemplazar las lámparas:

- 1 Desenchufe el cable eléctrico del refrigerador.
- 2 Use guantes protectores.
- 3 Retire la cubierta de la luz, si es necesario.
- 4 Desatornille y reemplace la lámpara antigua por una lámpara para electrodomésticos del mismo tipo y vataje (generalmente, 40 vatios).
- 5 Vuelva a instalar la cubierta de la luz, si es necesario.
- 6 Enchufe el cable eléctrico del refrigerador.



Luz del refrigerador



Luz del congelador

#### Para pedir luces LED de repuesto

Llame al 877-808-4195 para realizar su pedido de luces LED nuevas, en Internet en [www.frigidaire.com/store](http://www.frigidaire.com/store) o a través del distribuidor donde adquirió su refrigerador. El número de producto para pedidos es:

**Luz LED, pieza N.º 241891102**

**Luces incandescentes (lámpara de 40 W),  
pieza N.º 5305514148**

# ANTES DE SOLICITAR SERVICIO TÉCNICO

1-800-944-9044 (Estados Unidos)  
1-800-265-8352 (Canadá)

Visite nuestro sitio web en  
[www.frigidaire.com](http://www.frigidaire.com).

PROBLEMA	CAUSA POSIBLE	SOLUCIÓN MÁS COMÚN
<b>PRODUCTOR AUTOMÁTICO DE HIELO</b>		
<b>El productor de hielo no produce hielo.</b>	<ul style="list-style-type: none"> <li>El interruptor de alimentación del productor de hielo está en la posición Apagado.</li> <li>El productor de hielo tiene atascados pequeños cubos en el mecanismo.</li> <li>La válvula de asiento autorroscante de la tubería de agua fría está tapada o bloqueada por partículas extrañas.</li> </ul>	<ul style="list-style-type: none"> <li>Gire el interruptor a la posición de Encendido ("I").</li> <li>Quite el cubo pequeño del productor de hielo. Es posible que el cartucho del filtro de agua y hielo esté tapado. Reemplace el cartucho del filtro.</li> <li>Cierre la válvula de la tubería de suministro doméstico de agua. Retire la válvula. La válvula no debe ser una válvula de asiento autorroscante autoperforante. Limpie la válvula. Reemplace la válvula en caso de que sea necesario.</li> </ul>
<b>El productor de hielo no produce suficiente hielo.</b>	<ul style="list-style-type: none"> <li>El productor de hielo produce menos hielo de lo esperado.</li> <li>Controle si el dispensador de agua está dispensando más lento de lo normal.</li> </ul>	<ul style="list-style-type: none"> <li>El productor de hielo fabrica aproximadamente cuatro (4) libras de hielo cada 24 horas, según las condiciones de uso.</li> <li>Si es así, reemplace el cartucho del filtro de agua y hielo.</li> </ul>
<b>El productor de hielo no deja de producir hielo.</b>	<ul style="list-style-type: none"> <li>El brazo de señal metálico del productor de hielo está sujeto por algún artículo del congelador.</li> </ul>	<ul style="list-style-type: none"> <li>Desplace el artículo y libere el brazo de señal metálico. Extraiga todos los cubos de hielo que estén congelados juntos sobre el brazo de señal metálico.</li> </ul>
<b>Los cubos de hielo se congelan en forma de bloque.</b>	<ul style="list-style-type: none"> <li>Los cubos de hielo no se utilizan con demasiada frecuencia.</li> <li>Los cubos de hielo están huecos (cubos congelados parcialmente con agua adentro).</li> <li>El control del congelador está configurado con una temperatura demasiado alta.</li> </ul>	<ul style="list-style-type: none"> <li>Quite el recipiente de hielo y deseche el hielo del recipiente. El productor de hielo produce suministro fresco.</li> <li>Es posible que el cartucho del filtro de agua y hielo esté tapado. Reemplace el cartucho del filtro.</li> <li>Configure el control del congelador a una temperatura más baja. Espere 24 horas hasta que la temperatura se estabilice.</li> </ul>
<b>APERTURA/CIERRE DE PUERTAS/CAJONES</b>		
<b>Las puertas no se cierran.</b>	<ul style="list-style-type: none"> <li>La puerta se cerró demasiado fuerte, lo que causó que otra puerta se abriera ligeramente.</li> <li>El refrigerador no está nivelado. Se balancea en el piso cuando se mueve ligeramente.</li> <li>El refrigerador está tocando una pared o un gabinete.</li> </ul>	<ul style="list-style-type: none"> <li>Cierre ambas puertas suavemente.</li> <li>Verifique que el piso esté nivelado, sea sólido y que pueda soportar adecuadamente el peso del refrigerador. Llame a un carpintero para corregir el hundimiento o desnivel del piso.</li> <li>Verifique que el piso esté nivelado, sea sólido y que pueda soportar adecuadamente el peso del refrigerador. Llame a un carpintero para corregir el hundimiento o desnivel del piso.</li> </ul>
<b>Es difícil mover los cajones.</b>	<ul style="list-style-type: none"> <li>Los alimentos entran en contacto con el estante que se encuentra encima del cajón.</li> <li>El riel de los cajones está sucio.</li> </ul>	<ul style="list-style-type: none"> <li>Quite la capa superior de los elementos en el cajón.</li> <li>Asegúrese de que el cajón esté instalado correctamente en el riel.</li> <li>Limpie el cajón, los rodillos y el riel. Consulte <b>Cuidado y limpieza</b>.</li> </ul>



## ANTES DE SOLICITAR SERVICIO TÉCNICO (CONTINUACIÓN)

PROBLEMA	CAUSA POSIBLE	SOLUCIÓN MÁS COMÚN
<b>FUNCIONAMIENTO DEL REFRIGERADOR</b>		
<b>El compresor no funciona.</b>	<ul style="list-style-type: none"> <li>El control del congelador está configurado en "APAGADO" o "0".</li> <li>El refrigerador está en el ciclo de descongelación.</li> <li>El cable eléctrico está desenchufado.</li> <li>Se ha quemado un fusible de la casa o se ha disparado el cortacircuitos.</li> <li>Interrupción de la energía eléctrica.</li> </ul>	<ul style="list-style-type: none"> <li>Configure el control del congelador.</li> <li>Esto es normal en un refrigerador con descongelación automática. El ciclo de descongelación se realiza periódicamente y dura aproximadamente 30 minutos.</li> <li>Compruebe que el enchufe esté firmemente encajado en el tomacorrientes.</li> <li>Verifique o reemplace el fusible con un fusible de acción retardada de 15 amp. Reestablezca el disyuntor.</li> <li>Verifique las luces de la vivienda. Llame a la compañía eléctrica.</li> </ul>
<b>El refrigerador funciona demasiado o por demasiado tiempo.</b>	<ul style="list-style-type: none"> <li>La temperatura ambiente es elevada o el clima es cálido.</li> <li>Las puertas se abren con demasiada frecuencia o por demasiado tiempo.</li> <li>La puerta del congelador o alimentos frescos puede estar levemente abierta.</li> <li>El control del congelador tiene un valor de temperatura demasiado fría.</li> <li>La junta del congelador o alimentos frescos está sucia, gastada, agrietada o mal ajustada.</li> <li>El condensador está sucio.</li> </ul>	<ul style="list-style-type: none"> <li>Es normal que el refrigerador funcione más bajo estas condiciones.</li> <li>El aire caliente que entra en el refrigerador lo hace funcionar más. Abra las puertas con menor frecuencia.</li> <li>Asegúrese de que el refrigerador esté nivelado. No permita que los alimentos y envases bloqueen la puerta. Consulte en la columna <b>PROBLEMA, APERTURA/CIERRE DE PUERTAS/CAJONES</b>.</li> <li>Coloque el control de alimentos frescos con un valor de temperatura más alta hasta que la temperatura del refrigerador sea satisfactoria. Deje pasar 24 horas para que la temperatura se estabilice.</li> <li>Limpie o cambie la junta. Las pérdidas del sello de la puerta harán que el refrigerador funcione más para mantener la temperatura deseada.</li> <li>Limpie el condensador. Consulte Cuidado y limpieza.</li> </ul>
<b>El compresor se enciende y apaga con frecuencia.</b>	<ul style="list-style-type: none"> <li>El termostato mantiene el refrigerador a una temperatura constante.</li> </ul>	<ul style="list-style-type: none"> <li>Esto es normal. El refrigerador se enciende y se apaga para mantener la temperatura constante.</li> </ul>
<b>INDICADOR DIGITAL DE TEMPERATURA</b>		
<b>Los indicadores digitales de temperatura están parpadeando.</b>	<ul style="list-style-type: none"> <li>El sistema de control electrónico ha detectado un problema de funcionamiento.</li> </ul>	<ul style="list-style-type: none"> <li>Llame a su representante del servicio técnico de Frigidaire, quien podrá interpretar cualquier mensaje o código numérico que parpadee en los indicadores digitales.</li> </ul>
<b>AGUA/HUMEDAD/ESCARCHA DENTRO DEL REFRIGERADOR</b>		
<b>Se junta humedad dentro de las paredes del refrigerador.</b>	<ul style="list-style-type: none"> <li>El clima es caluroso y húmedo.</li> <li>La puerta está ligeramente abierta.</li> </ul>	<ul style="list-style-type: none"> <li>Se acelera la velocidad de acumulación de escarcha y condensación interna.</li> <li>Consulte en la columna <b>PROBLEMA, APERTURA/CIERRE DE PUERTAS/CAJONES</b>.</li> </ul>
<b>Se junta agua en la parte inferior de la tapa del cajón.</b>	<ul style="list-style-type: none"> <li>Las verduras contienen y despiden humedad.</li> </ul>	<ul style="list-style-type: none"> <li>No es anormal que haya humedad en la parte inferior de la tapa.</li> <li>Ajuste el control de humedad (algunos modelos) con una configuración más baja.</li> </ul>
<b>Se junta agua en el fondo del cajón.</b>	<ul style="list-style-type: none"> <li>Las frutas y verduras lavadas largan humedad mientras están en el cajón.</li> </ul>	<ul style="list-style-type: none"> <li>Seque los artículos antes de ponerlos en el cajón. Es normal que se junte agua en el fondo del cajón.</li> </ul>
<b>AGUA/HUMEDAD/ESCARCHA FUERA DEL REFRIGERADOR</b>		
<b>Se junta humedad en el exterior del refrigerador o entre las puertas.</b>	<ul style="list-style-type: none"> <li>El clima es húmedo.</li> <li>La puerta está ligeramente abierta, lo que hace que el aire frío de dentro del refrigerador entre en contacto con el aire caliente del exterior.</li> </ul>	<ul style="list-style-type: none"> <li>Esto es normal cuando el clima es húmedo. Presione el ícono Ahorro de energía para reducir la humedad exterior en el gabinete entre las puertas. Cuando baja la humedad, la condensación debería desaparecer y el ícono Ahorro de energía se puede presionar nuevamente para apagarlo.</li> <li>Consulte en la columna <b>PROBLEMA, APERTURA/CIERRE DE PUERTAS/CAJONES</b>.</li> </ul>

# GARANTÍA PRINCIPAL DEL ELECTRODOMÉSTICO

Su electrodoméstico cuenta con un año de garantía limitada. Por un año desde la fecha original de compra, Electrolux pagará todos los costos de reparación o el reemplazo de cualquier pieza de este electrodoméstico cuando se compruebe que los materiales o la mano de obra estén defectuosos siempre que se instale, utilice y mantenga dicho electrodoméstico según las instrucciones proporcionadas.

## Exclusiones La presente garantía no cubre lo siguiente:

1. Productos con números de serie original que se han quitado, modificado o no se pueden determinar fácilmente.
2. Productos que se hayan transferido de su dueño original a otra parte o trasladado fuera de los EE. UU. o Canadá.
3. Herrumbre en el interior o exterior de la unidad.
4. Los productos comprados "en su estado actual" no están cubiertos por esta garantía.
5. Pérdida de alimentos debido a cualquier falla del refrigerador o congelador.
6. Productos utilizados en un entorno comercial.
7. Solicitar el servicio técnico que no implique funcionamiento incorrecto o defectos en los materiales o la mano de obra o para los electrodomésticos que no se encuentren en uso doméstico habitual o utilizados de otra forma que no sea de acuerdo con las instrucciones proporcionadas.
8. Solicitar el servicio técnico para corregir la instalación de su electrodoméstico o aprender cómo se utiliza su electrodoméstico.
9. Gastos por hacer accesible el electrodoméstico para el servicio técnico, tal como extracción del asiento, armarios, estantes, etc., que no forman parte del electrodoméstico cuando fue enviado de fábrica.
10. Solicitar el servicio técnico para reparar o reemplazar lámparas, filtros de aire, filtros de agua, otros insumos del electrodoméstico o perillas, manijas u otras piezas superficiales.
11. Sobrecargos incluidos, pero no limitados a, todo servicio técnico en fuera de horario, durante feriados o fines de semana, peajes, cargos de viaje en transbordador o gastos de millaje para el servicio técnico en áreas remotas, incluso el Estado de Alaska.
12. Daños al acabado del electrodoméstico o el hogar producido durante la instalación, inclusive, pero no limitado a, pisos, gabinetes, paredes, etc.
13. Daños provocados por: servicios técnicos realizados por empresas de servicio no autorizadas; uso de piezas que no sean las piezas genuinas de Electrolux o piezas obtenidas de personas que no sean las empresas de servicio técnico autorizado, o causas externas como abuso, uso incorrecto, suministro de alimentación inadecuado, accidentes, incendios o casos fortuitos.

## EXENCIÓN DE RESPONSABILIDAD DE LAS GARANTÍAS IMPLÍCITAS; LIMITACIÓN DE LOS RECURSOS

EL RECURSO ÚNICO Y EXCLUSIVO DEL CLIENTE BAJO ESTA GARANTÍA LIMITADA SERÁ LA REPARACIÓN O EL REEMPLAZO DEL PRODUCTO COMO SE ESTABLECE EN EL PRESENTE. LOS RECLAMOS BASADOS EN GARANTÍAS IMPLÍCITAS, INCLUSO GARANTÍAS DE COMERCIALIZACIÓN O APTITUD PARA UN FIN EN PARTICULAR, ESTÁN LIMITADOS A UN AÑO O EL MENOR TIEMPO PERMITIDO POR LA LEY, PERO NO MENOS DE UN AÑO. ELECTROLUX NO SERÁ RESPONSABLE DE DAÑOS IMPORTANTES O INHERENTES COMO DAÑO MATERIAL Y GASTOS INHERENTES QUE RESULTEN DE CUALQUIER INCUMPLIMIENTO DE ESTA GARANTÍA LIMITADA ESCRITA O CUALQUIER GARANTÍA IMPLÍCITA. ALGUNOS ESTADOS Y PROVINCIAS NO PERMITEN LA EXCLUSIÓN O LIMITACIÓN DE DAÑOS INHERENTES O IMPORTANTES, O LAS LIMITACIONES EN LA DURACIÓN DE LAS GARANTÍAS IMPLÍCITAS, DE MANERA QUE ESTAS LIMITACIONES O EXCLUSIONES PUEDEN NO APLICARSE EN SU CASO. LA PRESENTE GARANTÍA ESCRITA LE OTORGA DERECHOS LEGALES ESPECÍFICOS. ES POSIBLE QUE TENGA OTROS DERECHOS QUE VARÍEN DE UN ESTADO A OTRO.

## Si necesita servicio técnico

Conserve su recibo, recibo de entrega u otro registro de pago adecuado para establecer el período de garantía que será requerido para el servicio técnico. Si se realizara un servicio técnico, es conveniente que usted obtenga y conserve todos los recibos.

El servicio técnico bajo esta garantía debe obtenerse comunicándose con Electrolux a las direcciones o números de teléfono que figuran a continuación.

La presente garantía sólo se aplica en los EE. UU. y Canadá. En los EE. UU, su electrodoméstico cuenta con garantía de Electrolux Major Appliances North America, una división de Electrolux Home Products, Inc. En Canadá, su electrodoméstico cuenta con garantía de Electrolux Canada Corp. Electrolux no autoriza a ninguna persona a cambiar o agregar alguna obligación bajo esta garantía. Las obligaciones por servicio técnico y piezas bajo esta garantía deben ser realizadas por Electrolux o una empresa de servicio técnico autorizada. Las características o especificaciones de los productos según lo descrito o ilustrado están sujetas a cambio sin previo aviso.

## EE. UU.

1.800.944.9044

Frigidaire

P.O. Box 212378

Augusta, GA 30907

## Canadá

1.800.265.8352

Electrolux Canada Corp.

5855 Terry Fox Way

Mississauga, Ontario, Canada

L5V 3E4