

# SOLE

FITNESS



**F63**  
*Motorized Treadmill*

## **OWNER'S MANUAL**

**PLEASE CAREFULLY READ THIS ENTIRE MANUAL BEFORE  
OPERATING YOUR NEW TREADMILL!**

# ***Table of Contents***

Product Registration.....	2
Important Safety Instructions.....	3
Important Electrical Information.....	4
Important Operation Instructions.....	5
Assembly instructions.....	6
Folding Instructions.....	12
Transport Instructions.....	12
Operation of Your New Treadmill.....	13
Programmable Features.....	16
General Maintenance.....	22
Service Checklist - Diagnosis Guide.....	25
Manufacturer's Limited Warranty.....	27

# SOLE

FITNESS

**CONGRATULATIONS ON YOUR  
NEW TREADMILL AND WELCOME  
TO THE SOLE FAMILY!**

Thank you for your purchase of this quality treadmill from SOLE. Your new treadmill has been manufactured by one of the leading fitness manufacturers in the world and is backed by one of the most comprehensive warranties available. SOLE will do all we can to make your ownership experience as pleasant as possible for many years to come.

If you have any questions about your new product or questions about the warranty contact SOLE Fitness at 1-866-780-SOLE (7653). If you have a technical problem with your new elliptical contact SOLE technical service at 866-MYSOLE1 (697-6531)

Please take a moment at this time to record below the name of the dealer, their telephone number, and the date of purchase for easy contact in the future. We appreciate your confidence in SOLE and we will always remember that you are the reason that we are in business. Please complete and mail your registration card today and enjoy your new treadmill.

Yours in Health,  
SOLE Fitness

Name of Dealer \_\_\_\_\_  
Telephone Number of Dealer \_\_\_\_\_  
Purchase Date \_\_\_\_\_

## ***Product Registration***

### **RECORD YOUR SERIAL NUMBER**

Please record the Serial Number of this fitness product in the space provided below.

Serial Number \_\_\_\_\_

### **REGISTER YOUR PURCHASE**

The self-addressed product registration card must be completed in full and returned to SOLE. You can also go to [www.soletreadmills.com](http://www.soletreadmills.com) under the support tab to register online.

F63\_2009 ver.A

# **Important Safety Instructions**

**WARNING** - Read all instructions before using this appliance.

**DANGER** - To reduce the risk of electric shock disconnect your **SOLE** treadmill from the electrical outlet prior to cleaning and/or service work.

**WARNING** - To reduce the risk of burns, fire, electric shock, or injury to persons, install the treadmill on a flat level surface with access to a 110-volt, 15-amp grounded outlet with only the treadmill plugged into the circuit..

**DO NOT USE AN EXTENSION CORD UNLESS IT IS A 14AWG OR BETTER, WITH ONLY ONE OUTLET ON THE END: DO NOT ATTEMPT TO DISABLE THE GROUNDED PLUG BY USING IMPROPER ADAPTERS, OR IN ANY WAY MODIFY THE CORD SET. A serious shock or fire hazard may result along with computer malfunctions. See Grounding Instructions, page 4.**

- Do not operate treadmill on deeply padded, plush or shag carpet. Damage to both carpet and treadmill may result.
- Do not block the rear of the treadmill. Provide a minimum of 3 1/2 feet clearance between the rear of the treadmill and any fixed object.
- Keep children away from the treadmill. There are obvious pinch points and other caution areas that can cause harm.
- Keep hands away from all moving parts.
- Never operate the treadmill if it has a damaged cord or plug. If the treadmill is not working properly, call your dealer.
- Keep the cord away from heated surfaces.
- Do not operate where aerosol spray products are being used or where oxygen is being administered. Sparks from the motor may ignite a highly gaseous environment.
- Never drop or insert any object into any openings.
- Do not use outdoors.
- To disconnect, turn all controls to the off position, remove tether cord, then remove the plug from the outlet.
- Do not attempt to use your treadmill for any purpose other than for the purpose it is intended.
- The pulse sensors are not medical devices. Various factors, including the user's movement, may affect the accuracy of heart rate readings. The pulse sensors are intended only as exercise aids in determining heart rate trends in general.
- Use handrails provided; they are for your safety.
- Wear proper shoes. High heels, dress shoes, sandals or bare feet are not suitable for use on your treadmill. Quality athletic shoes are recommended to avoid leg fatigue.

**Remove tether cord after use to prevent unauthorized treadmill operation. SAVE THESE INSTRUCTIONS - THINK SAFETY!**

# Important Electrical Information

## WARNING!

**NEVER** use a ground fault circuit interrupt (GFCI) wall outlet with this treadmill. As with any appliance with a large motor, the GFCI will trip often. Route the power cord away from any moving part of the treadmill including the elevation mechanism and transport wheels.

**NEVER** remove any cover without first disconnecting AC power.

If voltage varies by ten percent (10%) or more, the performance of your treadmill may be affected.

**Such conditions are not covered under your warranty.** If you suspect the voltage is low, contact your local power company or a licensed electrician for proper testing.

**NEVER** expose this treadmill to rain or moisture. This product is **NOT** designed for use outdoors, near a pool or spa, or in any other high humidity environment. The maximum operating temperature specification is 40 degrees c, and humidity is 95% non-condensing (no water drops forming on surfaces).

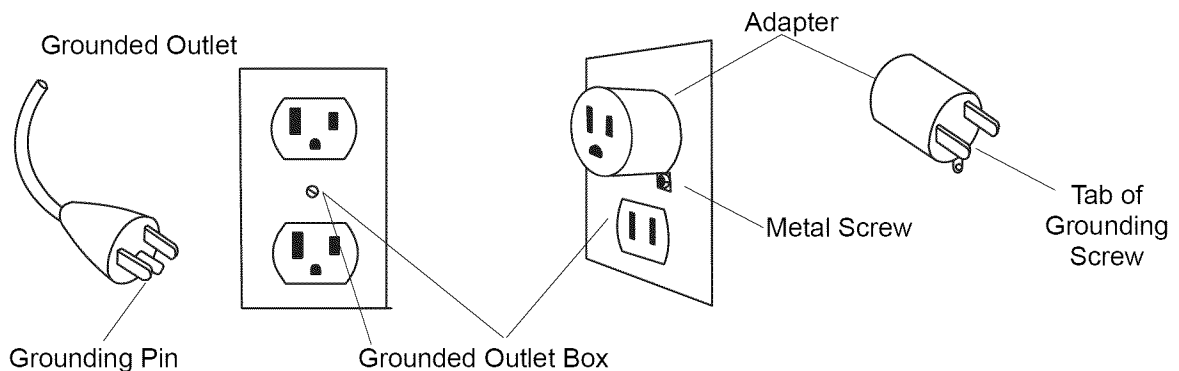
**Circuit breakers:** Some circuit breakers used in homes are not rated for high inrush currents that can occur when a treadmill is first turned on or even during use. If your treadmill is tripping the house circuit breaker (even though it is the proper current rating) but the circuit breaker on the treadmill itself does not trip, you will need to replace the home breaker with a high inrush type. This is not a warranty defect. This is a condition we as a manufacture have no ability to control. This part is available through most electrical supply stores. Examples: Grainger part # 1D237, or available online at [www.squared.com](http://www.squared.com) part # QO120HM.

## Grounding Instructions

**This product must be grounded.** If the treadmill should malfunction or breakdown, grounding provides a path of least resistance for electric current, reducing the risk of electric shock. This product is equipped with a cord having an equipment-grounding plug. The plug must be plugged into an appropriate outlet that is properly installed and grounded in accordance with all local codes and ordinances.

**DANGER - Improper connection of the equipment-grounding conductor can result in a risk of electric shock. Check with a qualified electrician or serviceman if you are in doubt as to whether the product is properly grounded. Do not modify the plug provided with the product if it will not fit the outlet; have a proper outlet installed by a qualified electrician.**

This product is for use on a nominal 110-volt circuit, and has a grounding plug that looks like the plug illustrated below. A temporary adapter that looks like the adapter illustrated below may be used to connect this plug to a 2-pole receptacle as shown below if a properly grounded outlet is not available. The temporary adapter should be used only until a properly grounded outlet, (shown below) can be installed by a qualified electrician. The green colored rigid ear-lug, or the like, extending from the adapter, must be connected to a permanent ground such as a properly grounded outlet box cover. Whenever the adapter is used, it must be held in place by a metal screw.



## ***Important Operation Instructions***

- **NEVER** operate this treadmill without reading and completely understanding the results of any operational change you request from the computer.
- Understand that changes in speed and incline do not occur immediately. Set your desired speed on the computer console and release the adjustment key. The computer will obey the command gradually.
- **NEVER** use your treadmill during an electrical storm. Surges may occur in your household power supply that could damage treadmill components. Unplug the treadmill during an electrical storm as a precaution.
- Use caution while participating in other activities while walking on your treadmill; such as watching television, reading, etc. These distractions may cause you to lose balance or stray from walking in the center of the belt; which may result in serious injury.
- **NEVER** mount or dismount the treadmill while the belt is moving. SOLE treadmills start with at a very low speed and it is unnecessary to straddle the belt during start up. Simply standing on the belt during slow acceleration is proper after you have learned to operate the unit. Always hold on to a handrail or hand bar while making control changes (incline, speed, etc.). Do not use excessive pressure on console control keys. They are precision set to function properly with little finger pressure. Pushing harder is not going to make the unit go faster or slower. If you feel the buttons are not functioning properly with normal pressure contact your SOLE dealer.

## ***Safety Tether Cord***

A safety tether cord is provided with this unit. It is a simple magnetic design that should be used at all times. It is for your safety should you fall or move too far back on the tread-belt. Pulling this safety tether cord will stop tread-belt movement.

### **To Use:**

1. Place the magnet into position on the red oval portion of the console control head. Your treadmill will not start and operate without this. Removing the magnet also secures the treadmill from unauthorized use.
2. Fasten the plastic clip onto your clothing securely to assure good holding power. **Note:** The magnet has strong enough power to minimize accidental, unexpected stopping. The clip should be attached securely to make certain it does not come off. Be familiar with its function and limitations. The treadmill will stop, depending on speed, with a one to two step coast anytime the magnet is pulled off the console. Use the red Stop / Pause switch in normal operation.

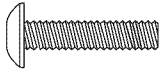
# ***Assembly Instructions (F63)***

**!!ATTENTION: IMPORTANT UNPACKING INSTRUCTIONS. PLEASE READ BEFORE UNPACKING YOUR FOLDING TREADMILL!!**

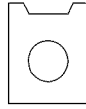
Serious injury could occur if this folding treadmill is not unpacked properly.

There is a Velcro strap installed around the treadmill base that prevents the treadmill from unfolding accidentally during shipping. If this strap is not removed properly the treadmill could spring open unexpectedly and cause injury if someone is standing near the treadmill when the strap is removed. To ensure your personal safety during removal of the shipping strap please make sure the treadmill is positioned flat on the ground, in the orientation it would be in if you were using the treadmill. Do not turn the treadmill up on its side while removing the shipping strap. This could cause the treadmill's folding mechanism to spring open. If the end of the Velcro strap (that you need to grab to remove it) happens to be under the treadmill deck, reach under the deck to grab it, but do not tilt the treadmill up to gain access to the strap end.

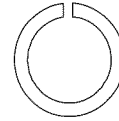
# ASSEMBLY PACK CHECK LIST



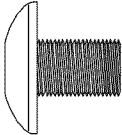
#140. M5 x 10 m/m  
Phillips Head Screw (8 pcs)



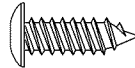
#128. Speed Nuts Clip (6pcs)



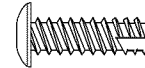
#113. Ø 10  
Split Washer (4pcs)



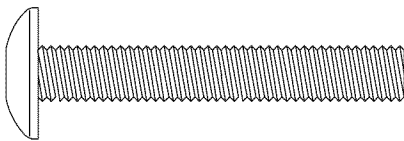
#130. 5/16" x 1/2"  
Button Head Socket Bolt (8 pcs)



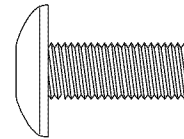
#119. 3.5x12 m/m  
Sheet Metal Screw (4 pcs)



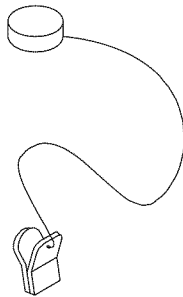
#120. 5 x 16 m/m  
Tapping Screw (6 pcs)



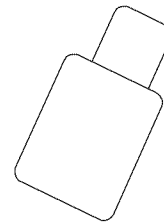
#139. 3/8" x 1-3/4"  
Button Head Socket Bolt (4pcs)



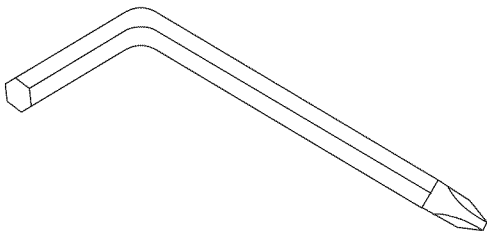
#159. 5/16" x 3/4"  
Button Head Socket Bolt (4 pcs)



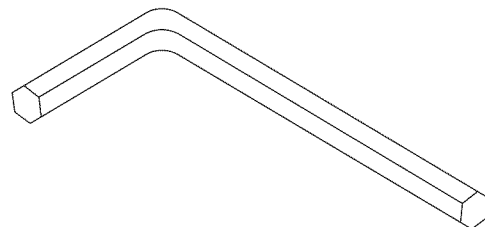
#75. Safety Key (1pc)



#134. Lubricant (1pc)



#131. Combination M5 Allen Wrench  
& Phillips Head Screw Driver (1 pc)

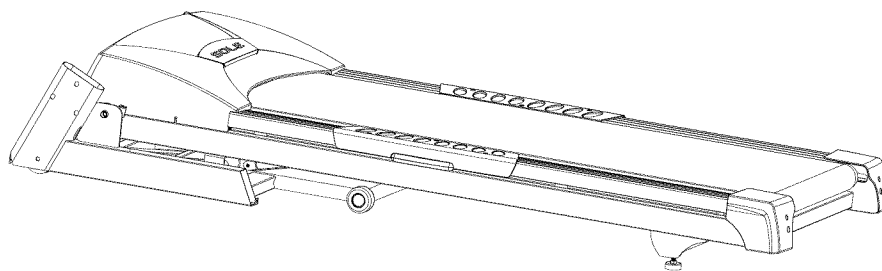


#132. M6 Allen Wrench (1pc)



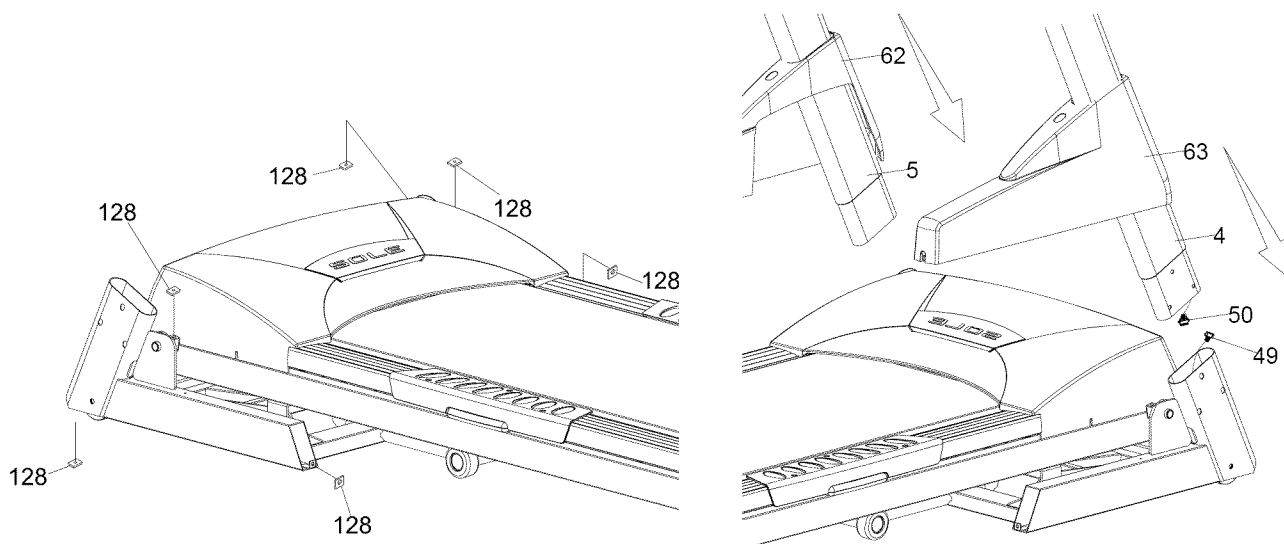
### Step 1.

Remove the treadmill from the carton and lay it aside on smooth, level ground.



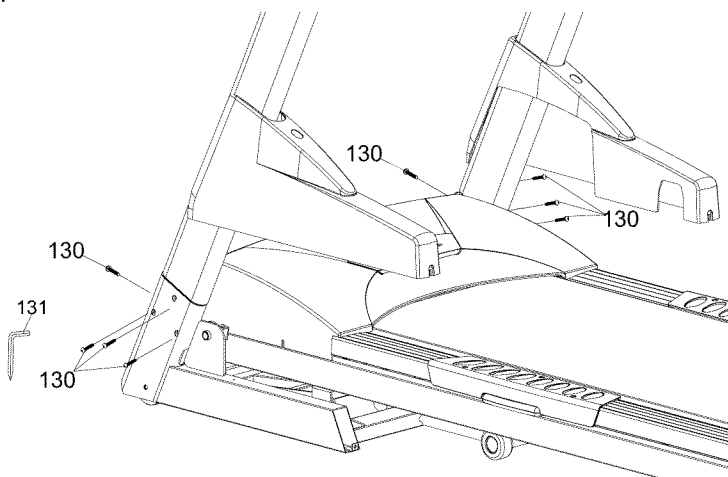
### Step 2.

1. Install the 6pcs of Speed Nuts Clip (#128) on the Frame Base left and right side.
2. Install the Frame Base Cap (#62 & #63) through the Upright Tubes (#4 & #5), and connect the Computer Cable (Lower #49) to the Computer Cable (Middle #50).



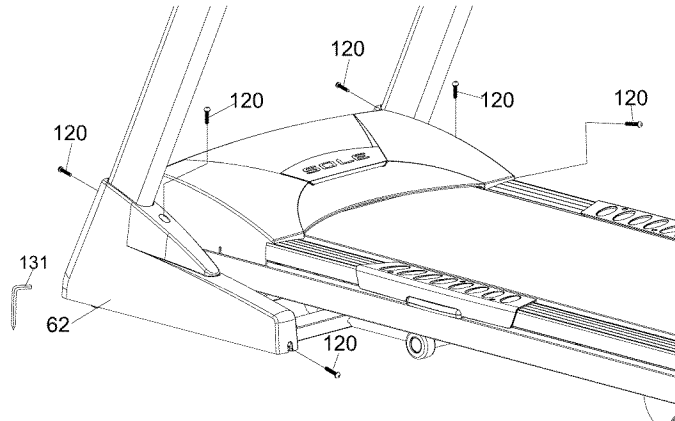
### Step 3.

Install the Upright Tubes (#4 & #5) into the Frame Base (#2) with the 8pcs of 5/16"x1/2" Button Head Socket Bolts (#130) by using the Combination M5 Allen Wrench & Phillips Head Screw Driver (#131).



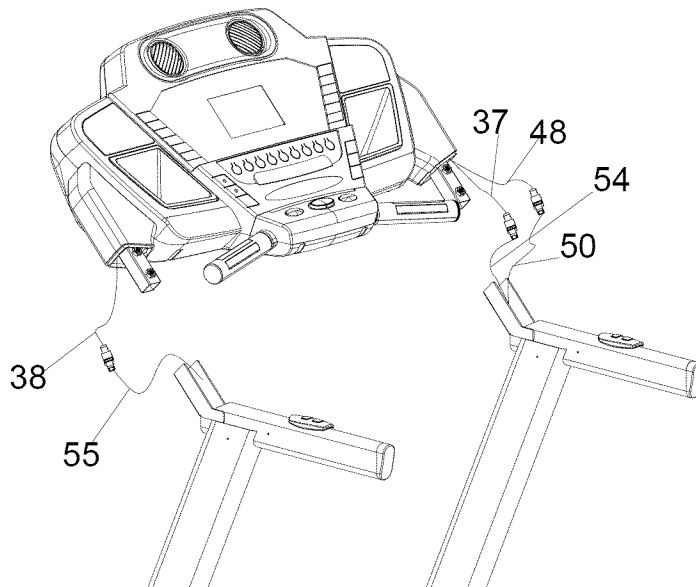
■ **Step 4.**

Install the Frame Base Cap (#61 & #62) on the Frame Base (#2) with the 6pcs of 5x16mm Tapping Screws (#120) by using the Combination M5 Allen Wrench & Phillips Head Screw Driver (#131).



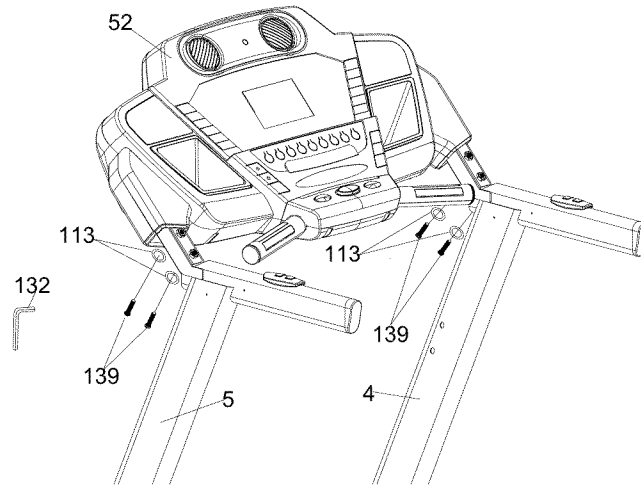
■ **Step 5.**

Connect the Speed Adjustment Switch Cable (#54) to the Speed Cable, Upper (#37).  
Connect the Incline Adjustment Switch Cable (#55) to the Incline Cable, Upper (#38).  
Connect the Computer Cable, Middle (#50) and Computer Cable, Upper (#48).



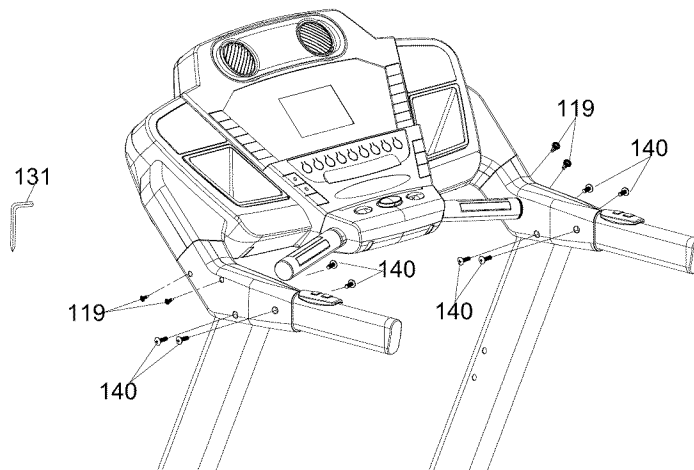
■ **Step 6.**

Install the Console Assembly (#52) into the Upright Tubes (#4 & #5) with the 4pcs of 3/8"x1-3/4" Button Head Socket Bolts (#139) and 4pcs of Ø 10mm Split Washers (#113) by using the M6 Allen Wrench (#132).



■ **Step 7.**

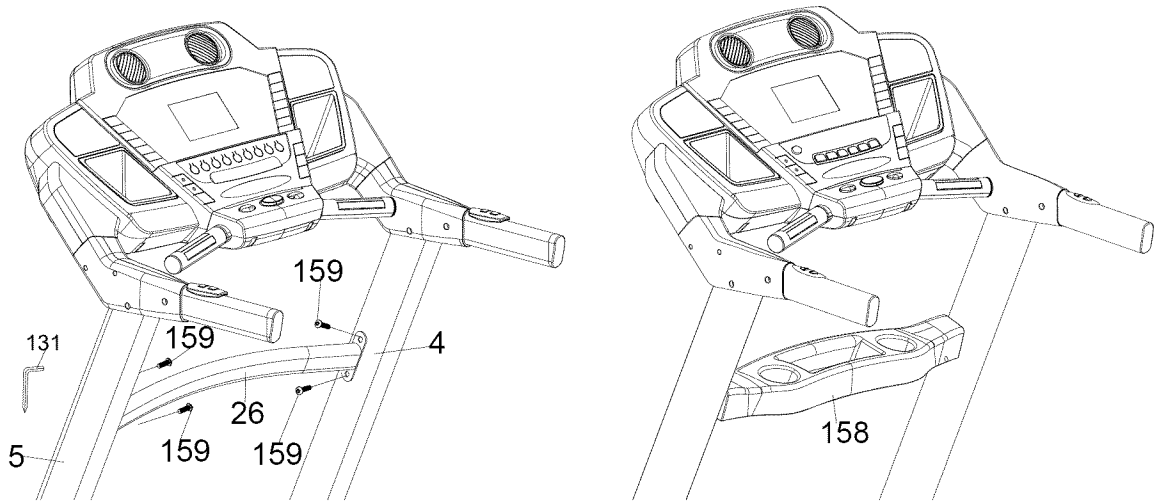
Install the Left Handgrip Side Cap and Right Handgrip Side Cap to cover the top of the Upright Tubes (#4 & #5) and Console Assembly Support Tubes, with the 8pcs of M5x10mm Phillips Head Screws (#140) and 4pcs of 3.5x12mm Sheet Metal Screw (#119) by using the Combination M5 Allen Wrench & Phillips Head Screw Driver (#131).



■ **Step 8.**

Install the Handrail Support (#3) between the upright tubes (#5, #4) with the 4pcs of 5/16"x3/4" Button Head Socket Bolts (#159).

Put the Beverage Holder (#158) on the Handrail Support (#26).



**Please Tighten All Screws After All Components Assembly Complete.**

## ***Folding Instructions***

Do not attempt to move the unit unless it is in the folded and locked position. Be sure the power cord is secured to avoid possible damage. Use both handrails to maneuver the unit to the desired position.

- **To Fold The Treadmill:**

**Make certain the treadmill is at minimum incline.** Lift the treadmill running deck until it is secured by the locking telescoping tube assembly in center back of base.

- **To Unfold The Treadmill:**

Apply slight forward pressure\* on the treadmill running deck with one hand. Pull down on the unlocking lever and slowly lower the running deck to the floor. The deck will lower unassisted when it reaches about waist high.

\*At the rear roller area to relieve pressure on the locking system.

## ***Transport Instructions***

The treadmill is equipped with four transport wheels that are engaged when the treadmill is folded. After folding simply roll the treadmill away.

# Operation of Your Treadmill

## Getting familiar with the control panel

### F63 Console



### Getting started:

Power the treadmill on by plugging it into an appropriate wall outlet, then turn on the power switch located at the front of the treadmill below the motor hood. Ensure that the safety key is installed, as the treadmill will not power on without it.

When the power is turned on, a message will scroll across the dot matrix showing the current software version. Then the **Time** and **Distance** windows will display Odometer readings for a short time, **Time** window will show how many hours the treadmill has been in use and the **Distance** window will show how many miles (or Kilometers if the treadmill is set to metric readings) the treadmill has gone. The treadmill will then enter idle mode, which is the starting point for operation.

## Quick-Start Operation:

**STEP 1:** Attach the **Safety** key to wake display up (if not already on).

**STEP 2:** Press the **Start** key to **begin belt movement** then adjust to the desired speed using the **Fast / Slow** keys (console or handgrip). You may also use the rapid speed keys 2 through 12 to adjust the speed.

**STEP 3:** To slow tread-belt press and hold the **Slow** key (console or handgrip) to the desired speed. You may also press the rapid speed adjust keys, 2 through 12.

**STEP 4:** To stop the tread-belt press **Stop** key or pull away **Safety** key.

## Pause/Stop/Reset Feature:

**STEP 1:** When the treadmill is running the pause feature may be utilized by pressing the red **Stop** key once. This will slowly decelerate the tread-belt to a stop. The incline will go to zero percent. The Time, Distance and Calorie readings will hold while the unit is in the pause mode. After 5 minutes the display will reset and return to the start up screen.

**STEP 2:** To resume your exercise, when in Pause mode, press the **Start** key. The speed and incline will return to their previous settings.

- Pause is executed when the **Stop** button is pressed once. If the **Stop** key is pressed a second time, the program will end and a workout summary will be displayed. If the **Stop** button is pressed a third time, the console will return to the idle mode (start up) screen. If the **Stop** button is held down for more than 3 seconds the console will reset.

## Incline Feature:

- Incline may be adjusted anytime after belt movement.
- Press and hold the **Adjust** ▲ ▼ keys (console or handgrip) to achieve desired level of effort. You may also choose a more rapid increase / decrease by selecting desired key, 2 through 12, on left hand side of console (incline).
- The message window display will indicate incline position as adjustments are made.

## **Dot Matrix Center Display (Program Operation):**

Twenty columns of dots (8 high) indicate each segment of a workout. The dots are only to show an approximate level (speed/incline) of effort. They do not necessarily indicate a specific value - only an approximate percent to compare levels of intensity. In operation the Speed / Incline dot matrix window will build a profile "picture" as values are changed during a workout.

When the word "Speed" is lit above the dot matrix it indicates that the Speed profile is being displayed and when the word "Incline" is lit above the dot matrix it indicates the Incline profile is being displayed.

You may change the Dot Matrix profile view between Speed and Incline by pressing the SELECT button. After pressing select to view the two profiles, pressing the select button a third time will automatically alternate the Speed and Incline displays, showing each one for five seconds.

## **1/4 mile Track:**

The 1/4 mile track is displayed around the dot matrix window. The flashing dot indicates your progress. The number of laps you complete are accumulated in the lap counter, which is below the PULSE window.

## **Pulse Feature:**

The Pulse (Heart Rate) window will display your current heart rate in beats per minute during the workout. You must use both stainless steel sensors on the front cross bar to display your pulse or wear the wireless chest strap. The Pulse value will display anytime the upper display is receiving a Pulse signal.

## **Calorie Display:**

Displays the cumulative calories burned at any given time during your workout.

**Note:** This is only a rough guide used for comparison of different exercise sessions, which cannot be used for medical purposes.

There is an **Audio Input Jack** on the front of the console and built-in speakers. You may plug any low-level audio source signal into this port. Audio sources include MP3, Ipod, portable radio, CD player or even a TV or computer audio signal. There is an audio patch cable included to and also a headphone jack for private listening.

## **To Turn the Treadmill Off:**

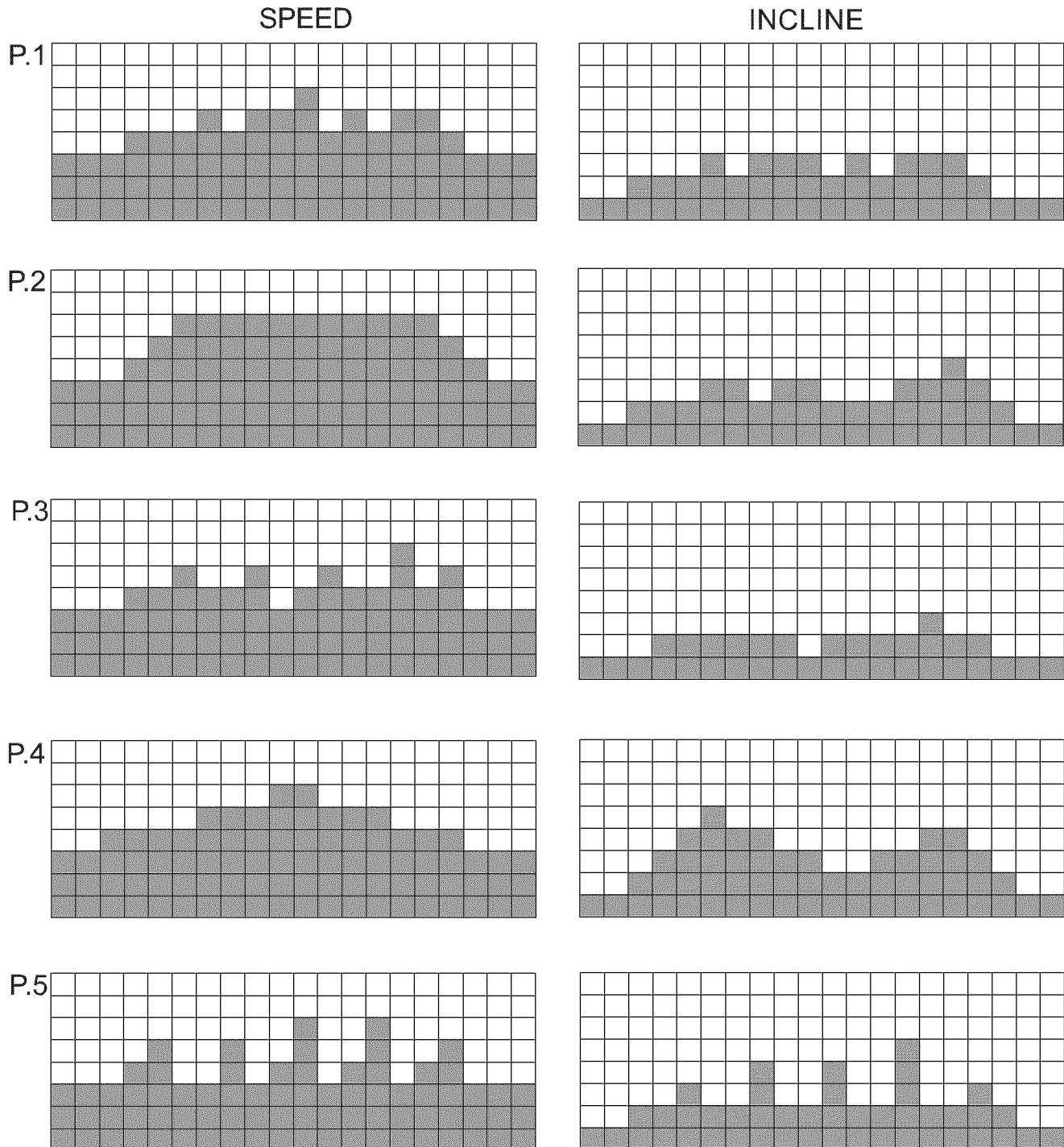
- (1) The display will automatically turn off – go to sleep - after 10 minutes of inactivity when in the Pause / Stop mode. Almost all power for the treadmill will be off except for some circuits that are needed to detect if any key is pressed, indicating the console should "wake up". When the console is "asleep" the treadmill draws very little power, about as much as your television when it is turned off.
- (2) Removing the safety key is similar to entering "sleep" mode. Turning off the main power switch in the front of the treadmill will completely remove any power.



# Programmable Features

The F63 has ten built-in programs: One Manual program (PO), five preset profiles (P1~P5), two user defined programs (U1 & U2) and two Heart rate control programs (H1 & H2).

Below are shown the Speed and Incline profiles for the five preset programs.



## To Select a Program:

**STEP 1:** Press the **PROGRAM** ▲ ▼ keys to view the programs on the screen then press the Enter key to select the program you would like to perform. The display will prompt you through the programming steps or you can just press the Start key to begin the program using the preset program values for age, weight and other program specific information.

**STEP 2:** If enter was pressed, the **Time** window will display the preset value of 20 minutes. You may use any of the up/down or the fast/slow keys to adjust the time. After adjusting press the Enter key. (Note: You may press start at any time during the programming to start the program with the information you've already input.)

**STEP 3:** The **Calorie** window will now be displaying a value, which is your **Body Weight**. Entering the correct body weight will affect the calorie count. Use the Up/Down keys or the Fast/Slow to adjust, then press enter.

A note about the **Calorie** display: No exercise machine can give you an exact calorie count because there are too many factors which determine exact calorie burn for a particular person. Even if someone is the exact same body weight, age and height, their calorie burn may be very different than yours. The **Calorie** display is to be used as a reference only to monitor improvement from workout to workout.

**STEP 4:** The **Calorie** window will display the preset top speed of the selected program. Use the Up/Down or the Fast/Slow keys to adjust, and then press enter. Each program has various speed changes throughout; this allows you to limit the highest speed the program will reach at it's peak.

**STEP 5:** Press Start to begin the program. The program will begin with a 3 minute warm-up. If you want to bypass this and go directly to the beginning of the program, press Start again.

## User Programs:

**STEP 1:** Select User 1 or User 2 via the **PROGRAM** keys then press **Enter**. Note that the dot matrix display portion will have a single row of dots at the bottom (Unless there is a previously stored program).

**STEP 2:** Note the Time window is flashing. Use the **Adjust** ▲ ▼ keys to adjust up from 10 minutes (if desired). Press **ENTER** key. This is a must to continue even if time is not adjusted.

**STEP 3:** The Calorie window will now be blinking a bodyweight value. Enter your bodyweight and press enter.

**STEP 4:** The Calorie window will now be blinking an Age value. Adjust the age and press enter.

**STEP 5:** The first column (segment) will now be blinking. Using the **Fast / Slow or rapid keys**, adjust the speed level to your desired effort for the first segment then press enter. The second column will now be blinking. Repeat the above process until all segments have been programmed. The first column will be blinking again. This is for the incline programming. Repeat the above process to program all segments for incline.

**STEP 6:** Press the **Start** button to begin the workout and also save the program to memory.

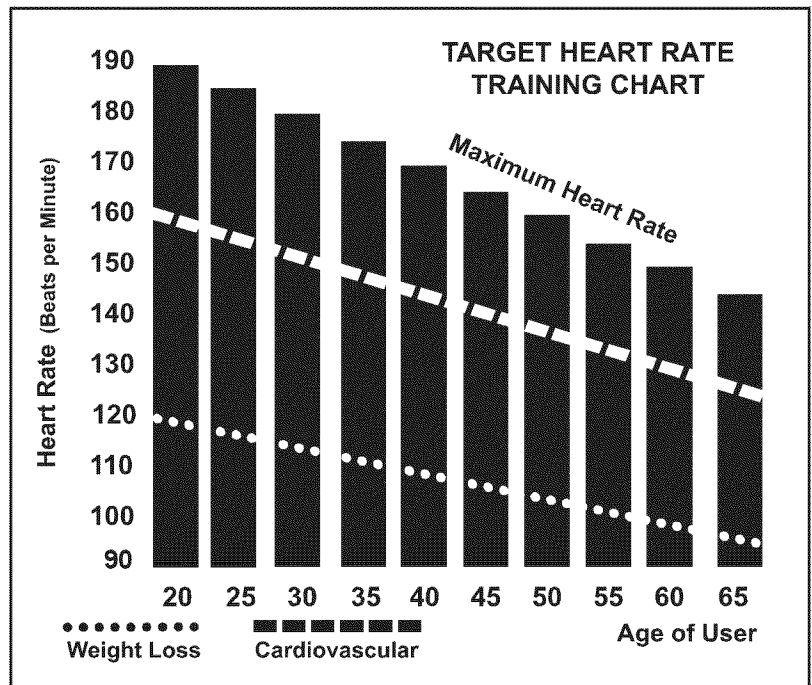
# Target Heart Rate

- The old motto, “no pain, no gain”, is a myth that has been overpowered by the benefits of exercising comfortably. A great deal of this success has been promoted by the use of heart rate monitors. With the proper use of a heart rate monitor, many people find that their choice of exercise intensity is either too high or too low and exercise is much more enjoyable by maintaining their heart rate in the desired benefit range.

- To determine the benefit range in which you wish to train, you must first determine your Maximum Heart Rate. This can be accomplished by using the following formula:

$$220 - \text{User's Age} = \text{Maximum Heart Rate}$$

If you enter your age during programming the console will perform this calculation automatically. After calculating your Maximum Heart Rate, you can decide upon which goal you would like to pursue. The two most popular reasons for, or goals of exercise, are cardiovascular fitness (training for the heart and lungs) and weight control. The black columns on the accompanying chart represent the Maximum Heart Rate for a person whose age is listed at the bottom of each column. The heart rate training zone for either cardiovascular fitness or weight loss is represented by two different lines, which cut diagonally through the chart. A definition of the lines' goal is in the bottom left-hand corner of the chart.



The heart rate training zone for either cardiovascular fitness or weight loss is represented by two different lines, which cut diagonally through the chart. A definition of the lines' goal is in the bottom left-hand corner of the chart. If your goal is cardiovascular fitness or if it is weight loss, it can be achieved by training at 80% or 60%, respectively, of your Maximum Heart Rate on a schedule approved by your physician. Consult your physician before participating in any exercise program.

With all SOLE Heart Rate Control treadmills, you may use the heart rate monitor feature without using the Heart Rate Control program. This function can be used during any of the different programs. The Heart Rate Control program automatically controls incline.

## CAUTION!

*The target value used in H-1 and H-2 programs is a suggestion only for normal, healthy individuals. Do not exceed your limits! You may not be able to obtain your chosen target. If in question, enter a higher age value that will set a lower target goal.*

## Rate of Perceived Exertion

Heart rate is important but listening to your body also has a lot of advantages. There are more variables involved in how hard you should workout than just heart rate. Your stress level, physical health, emotional health, temperature, humidity, the time of day, the last time you ate and what you ate, all contribute to the intensity at which you should workout. If you listen to your body, it will tell you all of these things.

The rate of perceived exertion (RPE), also know as the Borg scale, was developed by Swedish physiologist G.A.V. Borg. This scale rates exercise intensity from 6 to 20 depending upon how you feel or the perception of your effort.

The scale is as follows:

### Rating Perception of Effort

- 6 Minimal
- 7 Very,very light
- 8 Very,very light +
- 9 Very light
- 10 Very light +
- 11 Fairly light
- 12 Comfortable
- 13 Somewhat hard
- 14 Somewhat hard +
- 15 Hard
- 16 Hard +
- 17 Very hard
- 18 Very hard +
- 19 Very,very hard
- 20 Maximal

You can get an approximate heart rate level for each rating by simply adding a zero to each rating. For example a rating of 12 will result in an approximate heart rate of 120 beats per minute. Your RPE will vary depending up the factors discussed earlier. That is the major benefit of this type of training. If your body is strong and rested, you will feel strong and your pace will feel easier. When your body is in this condition, you are able to train harder and the RPE will support this. If you are feeling tired and sluggish, it is because your body needs a break. In this condition, your pace will feel harder. Again, this will show up in your RPE and you will train at the proper level for that day.

# Using a Heart Rate Transmitter

## How to wear your wireless chest strap transmitter:

1. Attach the transmitter to the elastic strap using the locking tabs.
2. Adjust the strap as tightly as possible, but not until it becomes uncomfortable.
3. Position the transmitter with the SOLE logo centered in the middle of your body facing away from your chest (some people must position the transmitter slightly left of center). Attach the final end of the elastic strap by inserting the tab into the hole in the transmitter, thus secure the transmitter and strap around your chest.
4. Position the transmitter immediately below the pectoral muscles at the bottom of the ribcage.
5. Sweat is one of the best conductors for making a good electrical connection between your body and the transmitter for measuring very minute heart beat electrical signals. However, plain water can also be used to pre-wet the electrodes (2 black square areas on the reverse side of the belt and either side of transmitter). It's also recommended that you wear the transmitter strap a few minutes before your work out. Some users, because of body chemistry, have a more difficult time in achieving a strong, steady signal at the beginning. After "warming up", this problem lessens. As noted, wearing clothing over the transmitter/strap doesn't affect performance.
6. You must remain in range of the console where the heart rate receiver is located during your workout to achieve a strong steady signal. The length of range may vary somewhat but generally stay close enough to the console to maintain good, strong, reliable readings. Wearing the transmitter immediately against bare skin assures you of proper operation. If you wish, you may wear the transmitter over a shirt. To do so, moisten the areas of the shirt that the electrodes will rest upon.

Note: The transmitter is automatically activated when it detects activity from the user's heart. Additionally, it automatically deactivates when it does not receive any activity. Although the transmitter is water resistant, moisture can have the effect of creating false signals, so you should take precautions to completely dry the transmitter after use to prolong battery life (estimated transmitter battery life is 2500 hours). The replacement battery is Panasonic CR2032.

**Caution! Do not use this treadmill for Heart Rate Control unless a steady, solid Actual Heart Rate value is being displayed. High, wild, random numbers being displayed indicate a problem. Do not use the hand pulse grips for Heart rate control programs use a chest strap transmitter only!**

## Erratic Operation:

### Areas to look for on interference:

- (1) Treadmill not properly grounded
- (2) Microwave ovens, TV's, small appliances, etc.
- (3) Fluorescent lights.
- (4) Some household security systems.
- (5) Perimeter fence for a pet.
- (6) The antenna that picks up your heart rate is very sensitive. If there is an outside noise source, turning the whole machine 90 degrees may de-tune the interference.
- (7) Loose treadmill console or bolts in the upright tube.
- (8) If you continue to experience problems contact your dealer.

## WARNING!

**DO NOT USE THE HEART RATE CONTROL PROGRAM IF YOUR HEART RATE IS NOT REGISTERING PROPERLY ON THE TREADMILL'S DISPLAY!**

# Heart Rate Control programming

## CAUTION!

Heart rate control programs are intended for wireless transmitter chest strap only. Do not use Pulse Grip bar for Heart Rate Control. You must receive a strong / steady value in heart rate window.

STEP 1: Select H1 or H2 via the **PROGRAM** ▲ ▼ keys then press enter.

STEP 2: The Calories window will be blinking, showing the default user's bodyweight for this program.

You may adjust it and press enter if you want or just press enter to accept the default value.

STEP 3: The Calories window will now be blinking showing user's age. Adjust and press enter or press enter to accept the default value. Adjusting Age will change the Target HR value.

STEP 5: The Time window will now be blinking. Adjust the time and press enter.

STEP 6: Press Start to begin program.

The program will now control the treadmill to steadily increase your heart rate to the target value. This process is automatic and could take upwards of five minutes, depending on how far your HR needs to go and what kind of physical shape you are in. People who are more fit will take longer to reach the target.

# General Maintenance

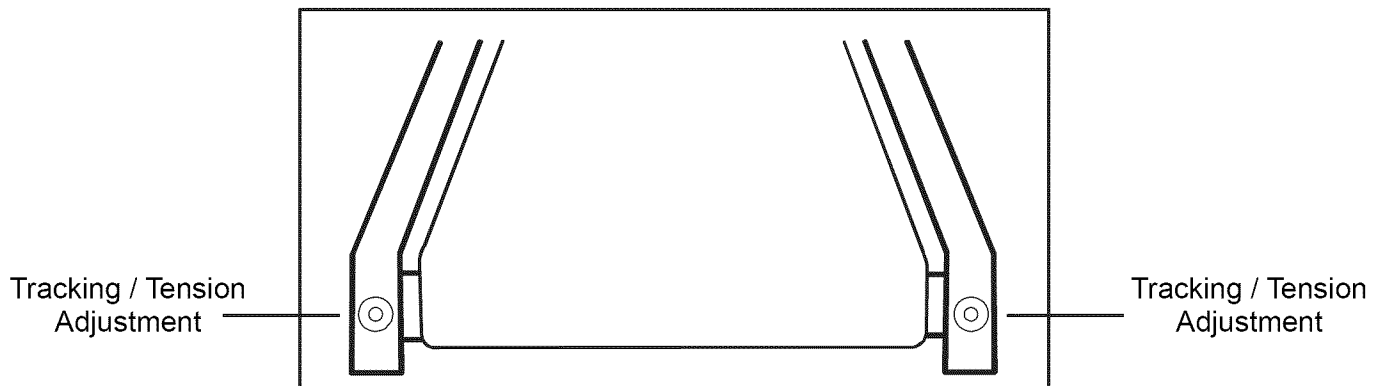
**Belt and Bed** - Your treadmill uses a very high-efficient low-friction bed. Performance is maximized when the bed is kept as clean as possible. Use a soft, damp cloth, or paper towel, wipe the edge of the belt and the area between the belt edge and the frame. Also reach as far as practical directly under the belt edge. This should be done once a month to extend belt and bed life. A mild soap and water solution along with a nylon scrub brush will clean the top of the textured belt. **Allow to dry before using.**

**Belt Dust** - This occurs during normal break-in or until the belt stabilizes. Sometimes the black dust from the belt will appear on the floor behind the treadmill, this is normal.

**General Cleaning** - Dirt, dust, and pet hair can block air inlets and accumulate on the running belt. Please vacuum underneath your treadmill on a monthly basis to prevent excess build-up of dirt that can get sucked up and get into the inner workings under the motor cover. Once a year, you should remove the black motor hood and vacuum out dirt that may accumulate. **UNPLUG POWER CORD BEFORE THIS TASK.**

## BELT ADJUSTMENTS:

**Tread-belt Tension Adjustment** - Belt tension is not critical for most users. It is very important though for joggers and runners in order to provide a smooth, steady running surface. Adjustment must be made from the rear roller with the 6 mm Allen wrench provided in the parts package. The adjustment bolts are located at the end of the step rails as shown in the diagram below.



**Note:** Adjustment is through small hole in end cap.

Tighten the rear roller only enough to prevent slippage at the front roller. Turn the tread-belt tension adjusting bolts 1/4 turn each and inspect for proper tension by walking on the belt and making sure it is not slipping or hesitating with each step. When an adjustment is made to the belt tension, you must be sure to turn the bolts on both sides evenly or the belt could start tracking to one side instead of running in the middle of the deck.

**DO NOT OVERTIGHTEN** – Over tightening will cause belt damage and premature bearing failure. If you tighten the belt a lot and it still slips, the problem could actually be the drive belt - located under the motor cover - that connects the motor to the front roller. If that belt is loose it feels similar to the walking belt being loose. Tightening the motor belt should be done by a trained service person.

## TREADBELT TRACKING ADJUSTMENT:

The treadmill is designed so that the tread-belt remains reasonably centered while in use. It is normal for some belts to drift near one side while in use, depending on a user's gait and if they favor one leg. But if during use the belt continues to move toward one side, adjustments are necessary.

### TO SET TREAD-BELT TRACKING:

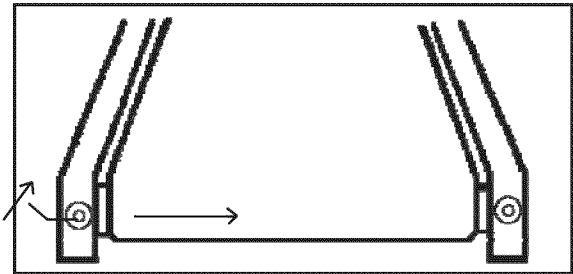
A 6 mm Allen wrench is provided for this adjustment.

Make tracking adjustments on the left side bolt.

Set belt speed at 3 mph.

Be aware that a small adjustment can make a dramatic difference which may not be apparent right away. If the belt is **too close to the left side**, then turn the bolt only a 1/4 turn to the right (clockwise) and wait a few minutes for the belt to adjust itself. Continue to make 1/4 turns until the belt stabilizes in the center of the running deck.

If the belt is **too close to the right side**, turn the bolt counter-clockwise. The belt may require periodic tracking adjustment depending on use and walking/running characteristics. Some users may affect tracking differently. Expect to make adjustments as required to center the tread-belt. Adjustments will become less of a maintenance concern as the belt is used. Proper belt tracking is an owner responsibility common with all treadmills.



### ATTENTION:

**DAMAGE TO THE RUNNING BELT RESULTING FROM IMPROPER TRACKING / TENSION ADJUSTMENTS IS NOT COVERED UNDER THE SOLE WARRANTY.**



## **Belt/deck lubrication procedure:**

Do not lubricate with other than SOLE approved lubricant. Your treadmill comes with one tube of lubricant and extra tubes can be ordered directly from SOLE. There are commercially available lube kits, but the only one currently approved by SOLE is Lube-N-Walk. These kits come with an application wand that makes applying the lubrication easier. The kits can be purchased directly from Lube-N-Walk here: <http://www.jadfitness.com/>. The proper kit should be silicon based, NOT paraffin wax. You can also purchase SOLE lubricant from our website [www.soletreadmills.com](http://www.soletreadmills.com) under the products tab.

Keeping the deck lubricated at the recommended intervals ensures the longest life possible for your treadmill. If the lubricant dries out, the friction between the belt and deck rises and places undue stress on the drive motor, drive belt and electronic motor control board, which could result in catastrophic failure of these expensive components. Failure to lubricate the deck at regular intervals may void the warranty.

The belt & deck come pre-lubricated and subsequent lubrication should be performed every 180 hours of use. The console has a built in lubrication reminder indicator that lights every 180 hours of use. To lubricate the deck with the tube of lubricant supplied it will be necessary to loosen the walking belt. Using the 6 mm Allen wrench supplied, loosen the two rear roller adjustment bolts -- located in the rear end caps -- enough to get your hand under the belt (5 –10 turns). Make sure to loosen both bolts the same amount of turns and also remember how many turns, because when finished you will need to tighten the bolts back to the point they were before.

Once the belt is loose, wipe the deck with a clean lint free cloth to remove any dirt. Apply the whole tube of lubricant onto the deck surface about 18 inches from the motor cover. Squeeze out the contents of the tube across the deck (parallel to the motor cover) in about a one-foot line, like toothpaste on a toothbrush. The one-foot line should be in the middle of the deck at approximately equal distance from both side edges of the belt. You want the lubricant to be applied about the spot that your feet would hit the belt as you are walking. This should be about 18 inches from the motor cover, but you may want to walk on the treadmill before loosening the belt to note where your feet land on the belt. If you mostly use the treadmill for running, the spot where your feet land may be different from walking.

Once the lubricant is applied, tighten the rear roller bolts the same amount of turns as when you loosened them. Run the treadmill at about 3 mph without walking on it for about a minute or two to make sure the belt stays in the middle of the deck. If the belt tracks to one side then follow the belt tracking instructions to remedy. Now the deck is lubricated and you should walk, not run, on the treadmill immediately for at least 5 minutes to ensure the lubricant is evenly distributed. If you purchase a silicone based Lube-N-Walk kit, follow the instructions that come with it to apply the lubrication.

# Service Checklist - Diagnosis Guide

Before contacting your dealer for aid, please review the following information. It may save you both time and expense. This list includes common problems that may not be covered under the treadmill's warranty.

PROBLEM	SOLUTION/CAUSE
<b>Display does not light</b>	1) Tether cord not in position. 2) Circuit breaker on front grill tripped. Push circuit breaker in until it locks. 3) Plug is disconnected. Make sure plug is firmly pushed into AC household wall outlet. 4) Household circuit breaker may be tripped. 5) Treadmill defect. Contact your SOLE dealer.
<b>Tread-belt does not stay centered Treadmill belt hesitates when walked/run on</b>	The user may be walking while favoring or putting more weight on either the left or right foot. If this walking pattern is natural, track the belt slightly off-center to the side opposite from the belt movement. See General Maintenance section on Tread-belt Tension. Adjust as necessary.
<b>Motor is not responsive after pressing start</b>	1) If the belt moves, but stops after a short time and the display shows "LS", run calibration. 2) If you press start and the belt <b>never</b> moves, then the display shows LS, contact service.
<b>Treadmill will only achieve approximately 7 mph but shows higher speed on display</b>	This indicates motor should be receiving power to operate. Low AC voltage to treadmill. Do not use an extension cord. If an extension cord is required it should be as short as possible and heavy duty 16 gauge minimum. Low household voltage. Contact an electrician or your SOLE dealer. A minimum of 110 volt AC current is required.
<b>Tread-belt stops quickly/suddenly when tether cord is pulled</b>	High belt/deck friction. See General Maintenance section on lubrication.
<b>Treadmill trips on board 15 amp circuit</b>	High belt/deck friction. See General Maintenance
<b>Computer shuts off when console is touched (on a cold day) while walking/running</b>	Treadmill may not be grounded. Static electricity is "crashing" the computer. Refer to Grounding Instructions on page 4.
<b>House circuit breaker trips, but not the treadmill circuit breaker.</b>	Need to replace the house breaker with a "High In-rush current" type breaker (see page 4 for details)

## **Procedures to perform in case LS (Low speed) error occurs:**

### **Calibration procedure:**

- 1) Remove the safety key
- 2) Press and hold down the Start and Fast (speed up) buttons and replace the safety key. Continue to hold the Start and Fast key until the window displays "Factory settings", then press the enter key.
- 3) You will now be able to set the display to show Metric or English settings (Miles vs. Kilometers). To do this, press the up or down key to show which you want, then press enter.
- 4) Make sure the wheel size diameter is 2.30 then press enter
- 5) Adjust the minimum speed (if needed) to 0.5 and then press enter
- 6) Adjust the maximum speed (if needed) to 12.0 and then press enter
- 7) Adjust the maximum elevation (if needed) to 15 and then press enter
- 8) Grade return – On (This allows the incline to return to zero when stop is pressed. For sale in Europe, EU standards require this to be off)
- 9) Press start to begin calibration. The process is automatic; the speed will start up without warning, so do not stand on the belt.

### **Adjusting the speed sensor:**

If the calibration does not pass you may need to check the speed sensor alignment.

- 1) Remove the motor cover hood by loosening the 4 screws that hold it in place (you do not need to remove them completely).
- 2) The speed sensor is located on the left side of the frame, right next to the front roller pulley (the pulley will have a belt around it that also goes to the motor). The speed sensor is small and black with a wire connected to it.
- 3) Make sure the sensor is as close as possible to the pulley without touching it. You will see a magnet on the face of the pulley; make sure the sensor is aligned with the magnet. There is a screw that holds the sensor in place that needs to be loosened to adjust the sensor. Re-tighten the screw when finished.

# Manufacturer's Limited Warranty

Effective January 1, 2008

## TREADMILL WARRANTY

SOLE warrants all its treadmills' parts, for a period of time listed below, from the date of retail sale, as determined by sale receipt, or in the absence of a receipt eighteen (18) months from the original factory shipping date. SOLE's responsibilities include providing new or remanufactured parts, at SOLE's option, and technical support to our independent dealers and servicing organizations. In the absence of a dealer or service organization, these warranties will be administered by SOLE directly to a consumer. The warranty period applies to the following components:

Drive Motor	Lifetime
Deck Wear	3Years
All Other Components	3Years
Frame Weldments	Lifetime
Labor	1Year

### NORMAL RESPONSIBILITIES OF THE CONSUMER

This warranty applies only to products in ordinary household use, and the consumer is responsible for the items listed below:

1. The warranty registration card must be completed and returned to the address listed on the card within 10 days of the original purchase to validate the manufacturer's limited warranty.
2. Proper use of the treadmill in accordance with the instructions provided in this manual, including belt tracking.
3. Proper installation in accordance with instructions provided with the treadmill and with all local electric codes.
4. Proper connection to a grounded power supply of sufficient voltage, replacement of blown fuses, repair of loose connections or defects in house wiring.
5. Expenses for making the treadmill accessible for servicing, including any item that was not part of the treadmill at the time it was shipped from the factory.
6. Damages to the treadmill finish during shipping, installation or following installation.

### EXCLUSIONS

This warranty does not cover the following:

1. CONSEQUENTIAL, COLLATERAL, OR INCIDENTAL DAMAGES SUCH AS PROPERTY DAMAGE AND INCIDENTAL EXPENSES RESULTING FROM ANY BREACH OF THIS WRITTEN OR ANY IMPLIED WARRANTY.

Note: Some states do not allow the exclusion or limitation of incidental or consequential damages, so this limitation or exclusion may not apply to you.

2. Service call reimbursement to the consumer. Service call reimbursement to the dealer that does not involve malfunction or defects in workmanship or material, for units that are beyond the warranty period, for units that are beyond the service call reimbursement period, for treadmills not requiring component replacement, or treadmills not in ordinary household use.
3. Damages caused by services performed by persons other than authorized SOLE service provider; use of parts other than original SOLE parts; or external causes such as alterations, modifications, abuse, misuse, accident, improper maintenance, inadequate power supply, or acts of God.
4. Products with original serial numbers that have been removed or altered.
5. Products that have been sold, transferred, bartered, or given to a third party.
6. Products that do not have a warranty registration card on file at SOLE. SOLE reserves the right to request proof of purchase if no warranty record exists for the product.
7. THIS WARRANTY IS EXPRESSLY IN LIEU OF ALL OTHER WARRANTIES EXPRESSED OR IMPLIED, INCLUDING THE WARRANTIES OF MERCHANTABILITY AND/OR FITNESS FOR A PARTICULAR PURPOSE.

### SERVICE

Keep your bill of sale. Twelve (12) months from the date on the bill of sale or eighteen (18) months from the date of factory shipping as determined by the serial number establishes the warranty period should service be required. If service is performed, it is in your best interest to obtain and keep all receipts. This written warranty gives you specific legal rights. You may also have other rights that vary from state to state. Service under this warranty must be obtained by following these steps, in order:

1. Contact your selling authorized SOLE dealer. OR
2. Contact your local authorized SOLE service organization.
3. If you have any questions about your new product or questions about the warranty contact SOLE Fitness at 1-866-780-SOLE (7653). If you have a technical problem with your new elliptical contact SOLE technical service at 866-MYSOLE1 (697-6531)
4. If no local service is available, SOLE will repair or replace the parts, at SOLE's option, within the warranty period at no charge for parts. All transportation costs, both to our factory and upon return to the owner, are the responsibility of the owner. The owner is responsible for adequate packaging upon return to SOLE. SOLE is not responsible for damages in shipping. Make all freight damage claims with the appropriate freight carrier. DO NOT SHIP ANY UNIT TO OUR FACTORY WITHOUT A RETURN AUTHORIZATION NUMBER. All units arriving without a return authorization number will be refused.
5. For any further information, or to contact our service department by mail, send your correspondence to:

SOLE Fitness  
P.O. Box 2037  
Jonesboro, AR 72402-2037

Product features or specifications as described or illustrated are subject to change without notice. All warranties are made by SOLE.