

ELECTRIC COOKTOP INSTALLATION INSTRUCTIONS

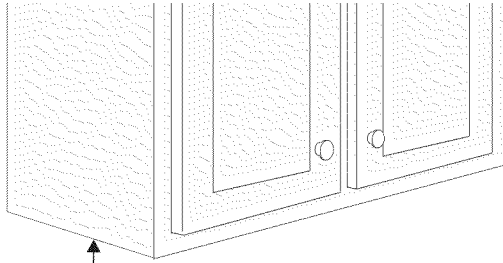
INSTALLATION AND SERVICE MUST BE PERFORMED BY A QUALIFIED INSTALLER.
IMPORTANT: SAVE FOR LOCAL ELECTRICAL INSPECTOR'S USE.
READ AND SAVE THESE INSTRUCTIONS FOR FUTURE REFERENCE.

U.S.A.



! WARNING FOR YOUR SAFETY: Do not store or use gasoline or other flammable vapors and liquids in the vicinity of this or any other appliance.

Cooktop Dimensions



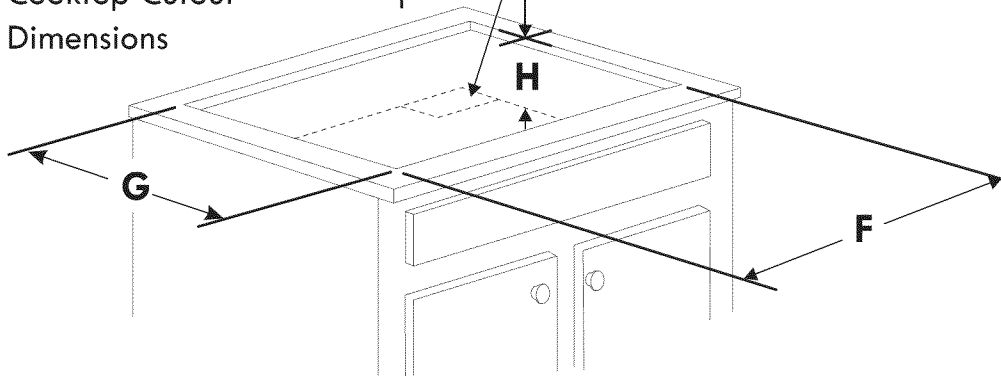
IMPORTANT INSTALLATION-INFORMATION

- All electric cooktops run off a single phase, three-wire or four-wire cable, 240/208 volt, 60 hertz, AC only electrical supply with ground.
- Please note minimum distances between cooktop and adjacent and overhead cabinetry is 30" (76.2 cm).

* 30" (76.2 cm) min. for unprotected cabinet
 24" (61 cm) min. for protected surface

30" Min.*
(76.2 cm)

Cooktop Cutout Dimensions



4" X 8" (10.2 cm x 20.3 cm) opening at the right rear to route armored cable if a panel is present

Figure 1 - 30" Model shown only

PRODUCT DIMENSIONS					
MODEL	A. WIDTH	B. DEPTH	C. HEIGHT	D. BOX WIDTH	E. BOX DEPTH
30" Ceramic Model	30¾ (78.1)	21½ (54.6)	¾ (8.3)	29 (73.7)	19¼ (48.9)
36" Ceramic Model	36¾ (93.3)	21½ (54.6)	¾ (8.3)	35 (88.9)	19¼ (48.9)
CUT OUT DIMENSIONS					
MODEL	F. WIDTH		G. DEPTH		H. HEIGHT BELOW COOKTOP*
	MINIMUM	MAXIMUM	MINIMUM	MAXIMUM	
30" Ceramic Model	29 5/8 (75.2)	30 (76.5)	20¼ (51.4)	20½ (52.1)	6 (15.2)
36" Ceramic Model	35 5/8 (90.5)	36 (91.4)	20¼ (51.4)	20½ (52.1)	6 (15.2)

All dimensions are in inches (cm).

* Allow 2" (5 cm) space below cooktop to clear the electric cable and allow for installation of the junction box on the wall at the back of the cooktop.

P/N 318205415 (1004) Rev. A

English – pages 1-8

Español – pages 9-16

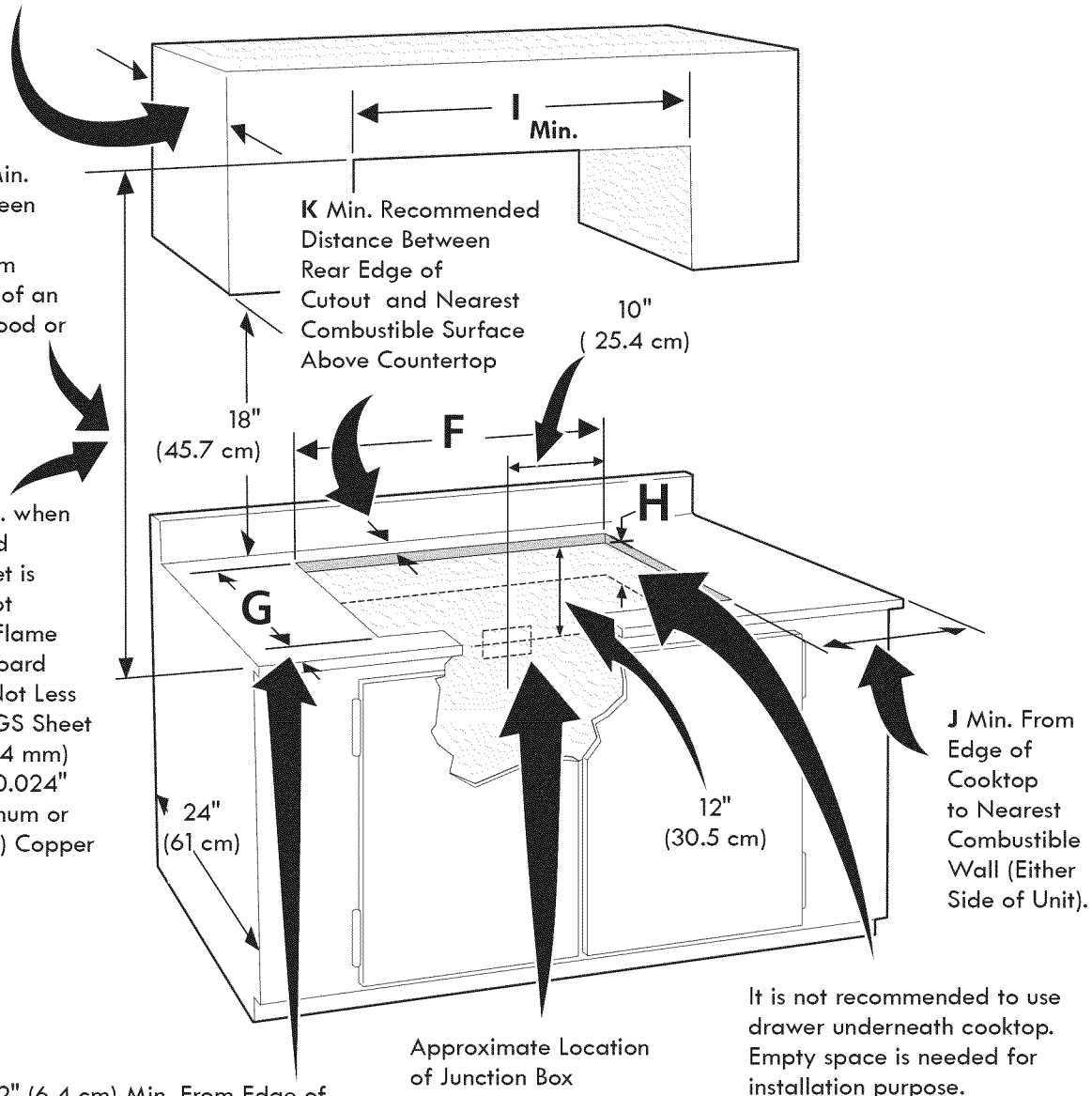
ELECTRIC COOKTOP INSTALLATION INSTRUCTIONS

Overhead Cabinet Should Not Exceed a Maximum Depth of 13" (33 cm)

30" (76.2 cm) Min. Clearance Between the Top of the Cooking Platform and the Bottom of an Unprotected Wood or Metal Cabinet.

24" (61 cm) Min. when Bottom of Wood or Metal Cabinet is Protected by Not Less Than 1/8" Flame Retardant Millboard Covered With Not Less Than No. 28 MGS Sheet Steel, 0.015" (0.4 mm) Stainless Steel, 0.024" (0.6 mm) Aluminum or 0.020" (0.5 mm) Copper

2 1/2" (6.4 cm) Min. From Edge of Cutout to Front Edge of Countertop



Approximate Location of Junction Box

It is not recommended to use drawer underneath cooktop. Empty space is needed for installation purpose.

Letters on this figure refer to chart on front page except for J & K.

CAUTION To eliminate the risk of burns or fire by reaching over heated surfaces, cabinet storage space located above the cooktop should be avoided. If cabinet storage is provided, risk can be reduced by installing a range hood that projects horizontally a minimum of 5" (12.7 cm) beyond the bottom of the cabinets.

Model	J	K
30" Model	7 1/2" (19.1 cm)	2" (5.1 cm)
36" Model	7 1/2" (19.1 cm)	2" (5.1 cm)

Figure 2 – COUNTERTOP CUTOUT OPENING

ELECTRIC COOKTOP INSTALLATION INSTRUCTIONS

Important Notes to the Installer

1. Read all instructions contained in these installation instructions before installing the cooktop.
2. Remove all packing material before connecting the electrical supply to the cooktop.
3. Observe all governing codes and ordinances.
4. Be sure to leave these instructions with the consumer.

Important Note to the Consumer

Keep these instructions with your Use and Care Guide for future reference.

IMPORTANT SAFETY INSTRUCTIONS

- Be sure your cooktop is installed and grounded properly by a qualified installer or service technician.
- These cooktops must be electrically grounded in accordance with local codes or, in their absence, with the National Electrical Code ANSI/NFPA No. 70—latest edition in the United States, or with CSA Standard C22.1, Canadian Electrical Code, Part 1, in Canada.

⚠ WARNING The electrical power to the cooktop must be shut off while line connections are being made. Failure to do so could result in serious injury or death.

Provide Electrical Connection

Install the junction box under the cabinet and run 120/240 or 120/208 Volt, AC wire from the main circuit panel. NOTE: DO NOT connect the wire to the circuit panel at this time. Wait until all wires have been connected in the junction box.

Electrical Requirements

Observe all governing codes and local ordinances.

1. A 3-wire or 4-wire single phase 120/240 or 120/208 Volt, 60 Hz AC only electrical supply is required on a separate circuit fused on both sides of the line (a 40A time-delay fuse or circuit breaker is recommended). DO NOT fuse neutral.

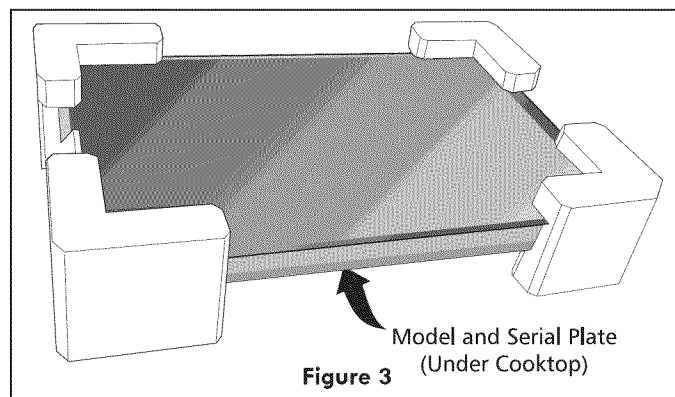
NOTE: Wire sizes and connections must conform with the fuse size and rating of the appliance in accordance with the National Electrical Code ANSI/NFPA No. 70—latest edition, or with CSA standard C22.1, Canadian Electrical Code, Part 1, and local codes and ordinances.

⚠ WARNING An extension cord must not be used with this appliance. Such use may result in a fire, electrical shock, or other personal injury.

2. The appliance should be connected to the fused disconnect (or circuit breaker) box through flexible armored or nonmetallic sheathed cable. The flexible armored cable extending from this appliance should be connected directly to the grounded junction box. The junction box should be located as shown in Figure 2 with as much slack as possible remaining in the cable between the box and the appliance, so it can be moved if servicing is ever necessary.
3. A suitable strain relief must be provided to attach the flexible armored cable to the junction box. Observe all governing codes and local ordinances.

Unpacking Instructions

1. Leave corner supports on cooktop until completion of Electrical Connection.
2. Be sure the bottle of cleaner conditioner packed in the literature bag is left where the user can find it easily. It is important that the ceramic-glass smoothtop be pretreated before use. See **Ceramic Glass Cooktop Cleaning and Maintenance** section in the **Use and Care Guide**.



ELECTRIC COOKTOP INSTALLATION INSTRUCTIONS

Electrical connection

It is the responsibility and obligation of the consumer to contact a qualified installer to assure that the electrical installation is adequate and is in conformance with the National Electrical Code ANSI/NFPA No. 70- latest edition, or with CSA Standard C22.1, Canadian Electrical Code, Part 1, and local codes and ordinances.

⚠ WARNING Risk of electrical shock (Failure to heed this warning may result in electrocution or other serious injury.) This appliance is equipped with copper lead wire. If connection is made to aluminum house wiring, use only connectors that are approved for joining copper and aluminum wire in accordance with the National Electrical Code and local code and ordinances. When installing connectors having screws which bear directly on the steel and/or aluminum flexible conduit, do not tighten screws sufficiently to damage the flexible conduit. Do not over bend or excessively distort flexible conduit to avoid separation of convolutions on exposure of internal wires.

DO NOT ground to a gas supply pipe. DO NOT connect to electrical power supply until appliance is permanently grounded. Connect the ground wire before turning on the power.

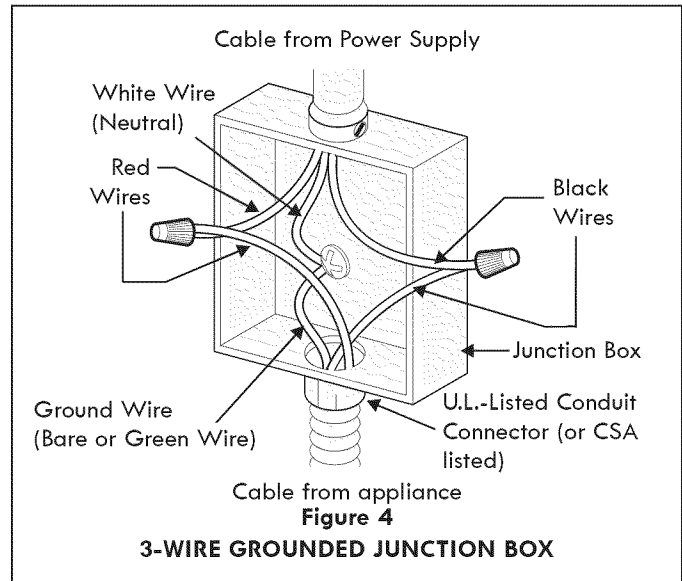
⚠ WARNING (If your appliance is equipped with a white neutral conductor.) This appliance is manufactured with a white neutral power supply and a frame connected copper wire. The frame is grounded by connection of grounding lead to neutral lead at the termination of the conduit, if used in USA, in a new branch circuit installation (1996 NEC), mobile home, recreational vehicles, where local code do not permit grounding through the neutral (white) wire or in Canada, disconnect the white and green lead from each other and use ground lead to ground unit in accordance with local codes, connect neutral lead to branch circuit-neutral conductor in usual manner see Figure 6 or 7. If your appliance is to be connected to a 3 wire grounded junction box (US only), where local code permit connecting the appliance-grounding conductor to the neutral (white) see Figure 4 or 5.

NOTE TO ELECTRICIAN: The armored cable leads supplied with the appliance are UL-recognized for connection to larger gauge household wiring. The insulation of the leads is rated at temperatures much higher than temperature rating of household wiring. The current carrying capacity of the conductor is governed by the temperature rating of the insulation around the wire, rather than the wire gauge alone.

Where local codes permit connecting the appliance-grounding conductor to the neutral (white) wire:

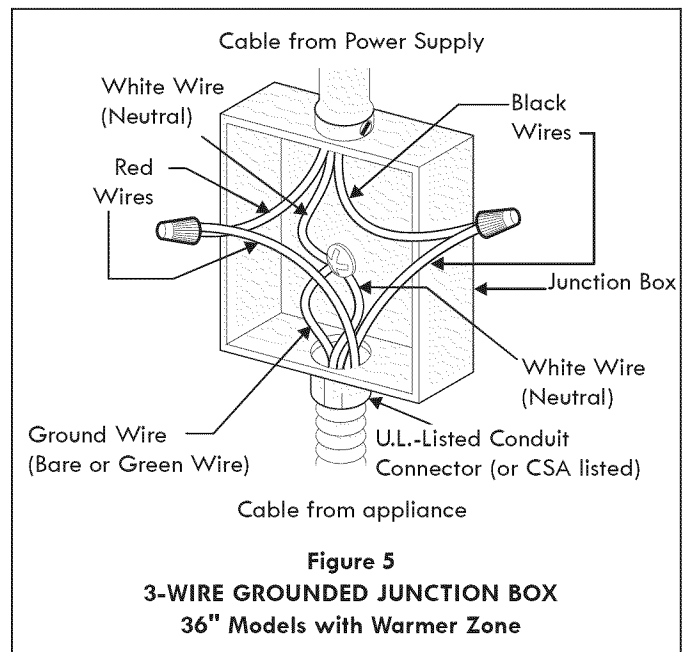
If your cooktop has a 3-wire cable to be connected to a 3-wire grounded junction box (see figure 4):

1. Disconnect the power supply.
2. In the circuit breaker, fuse box or junction box: connect appliance and power supply cable wires as shown in figure 4.



If your cooktop has a 4-wire cable to be connected to a 3-wire grounded junction box (see figure 5):

1. Disconnect the power supply.
2. In the circuit breaker, fuse box or junction box: connect appliance and power supply cable wires as shown in figure 5.

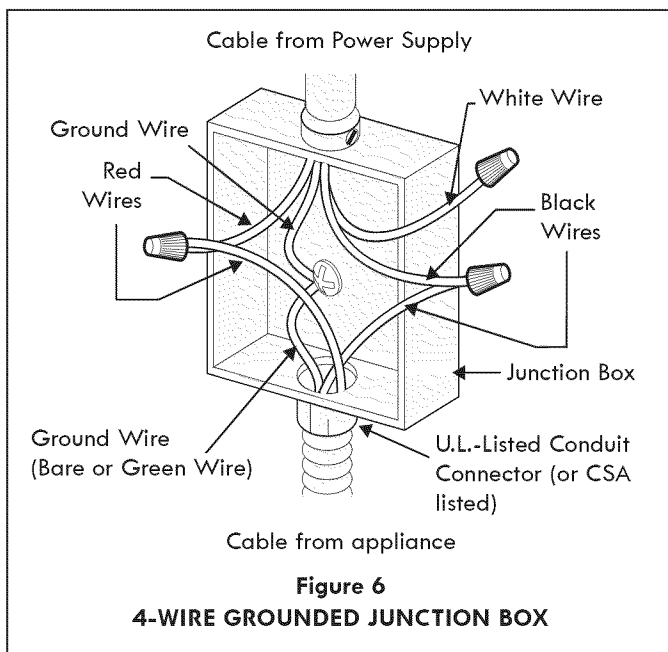


ELECTRIC COOKTOP INSTALLATION INSTRUCTIONS

If the appliance is used in a new branch circuit installation (1996 NEC), mobile home, recreational vehicle, or where local codes **DO NOT** permit grounding through the neutral (white) wire, the appliance frame **MUST NOT** be connected to the neutral wire of the 4-wire electrical system.

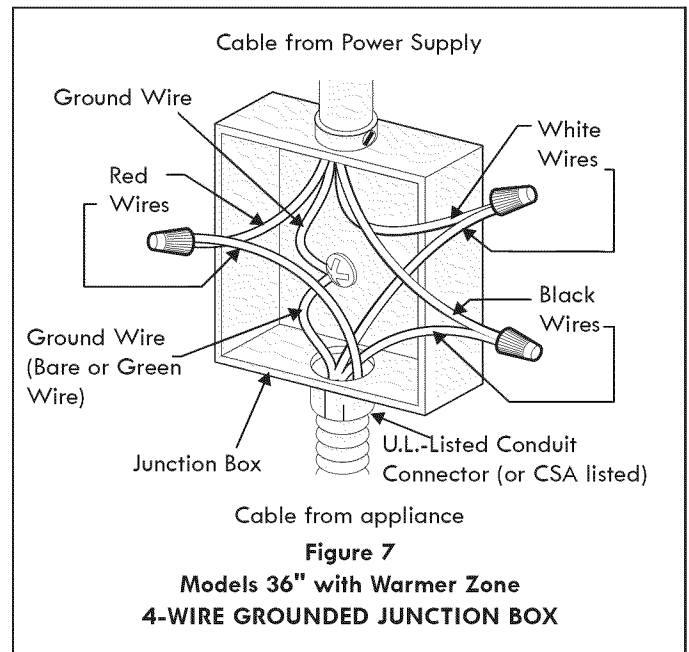
If your cooktop has a 3-wire cable (see figure 6):

1. Disconnect the power supply.
2. Separate the green (or bare copper) and white appliance cable wires.
3. Cap the white wire from the power supply cable if a 3-wire appliance cable is supplied.
4. In the circuit breaker, fuse box or junction box: connect appliance and power supply cable wires as shown in figure 6.



If your cooktop has a 4 wire cable (see figure 7):

1. Disconnect the power supply.
2. Separate the green (or bare copper) and white appliance cable wires.
3. In the circuit breaker, fuse box or junction box: connect appliance and power supply cable wires as shown in figure 7.

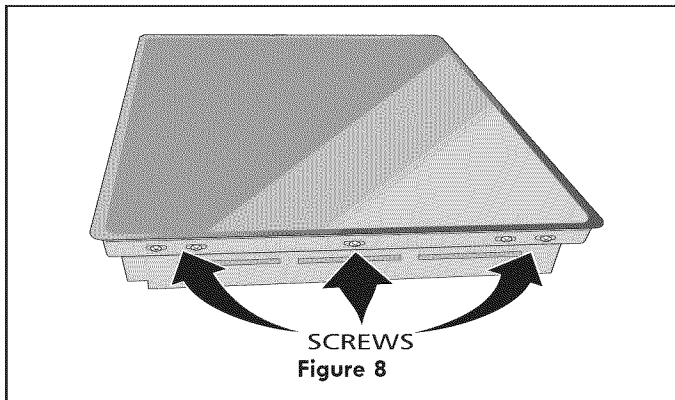


⚠ WARNING If connecting to a 4-wire power supply cable electrical system, the appliance frame connected ground wire **MUST NOT** be connected to the neutral wire of the 4-wire electrical system.

ELECTRIC COOKTOP INSTALLATION INSTRUCTIONS

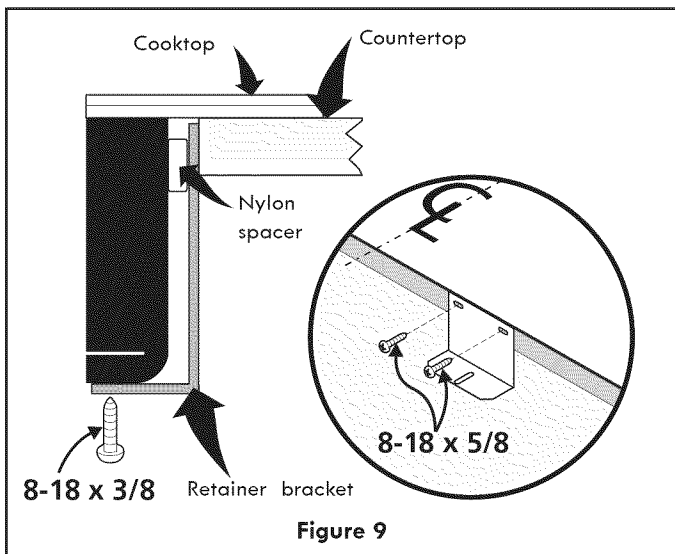
Cooktop Installation

1. Visually inspect the cooktop for damage. Also make sure all cooktop screws are tight (see Figure 8).



2. Install the retainer brackets (See Figure 9).

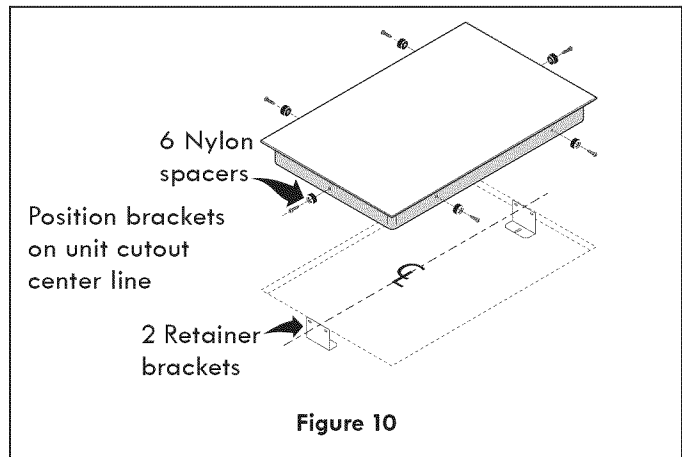
The retainer brackets **MUST** be installed, to meet local codes or, in their absence, with the National Electrical Code ANSI/NFPA No. 70—latest edition, or with CSA Standard C22.1, Canadian Electrical Code, Part 1 (see Figure 9).



3. Set the cooktop into the countertop cutout.

NOTE: Do not use caulking compound; cooktop should be removable for service when needed.

⚠ WARNING Do not remove the nylon spacers on the edges of the cooktop. These spacers center the cooktop in the space provided. The cooktop must be centered to prevent excess heat buildup that may result in heat damage or fire (see Figure 10).



Checking Operation

Refer to the **Use and Care Guide** for operation.

⚠ CAUTION Do not touch cooktop glass or elements. They may be hot enough to burn you.

Model and Serial Number Location

The serial plate is located under the cooktop.

When ordering parts for or making inquiries about your cooktop, always be sure to include the model and serial numbers and a lot number or letter from the serial plate on your cooktop.

Before You Call for Service

Read the Before You Call for Service Checklist and operating instructions in your **Use and Care Guide**. It may save you time and expense. The list includes common occurrences that are not the result of defective workmanship or materials in this appliance.

Refer to your **Use and Care Guide** for Sears service phone numbers, or call **1-800-4-MY-HOME®**.

ELECTRIC COOKTOP INSTALLATION INSTRUCTIONS

For typical under counter installation of an electric built-in oven see Figure below.

Only certain cooktop models may be installed over certain built-in electric oven models. Approved cooktops and built-in ovens are listed by the MFG ID number and product code (see the insert sheet included in the literature package and cooktop installation instructions for dimensions).

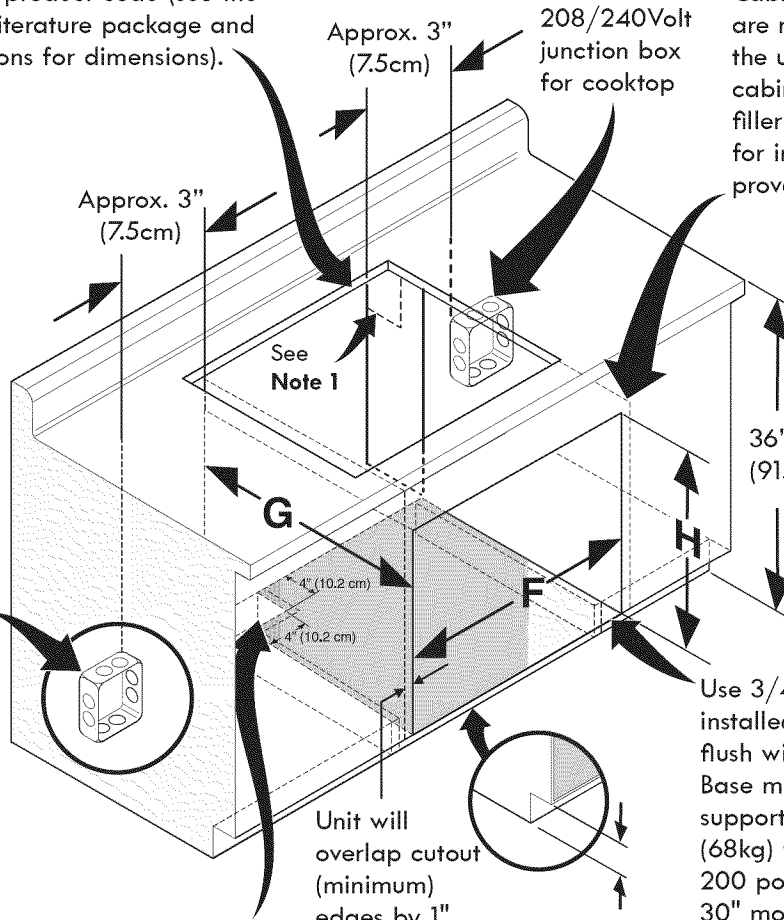
Note 1: 4" x 4" (10.2cm X 10.2cm) opening to route armored cable from cooktop to junction box.

Cabinet side filler panels are necessary to isolate the unit from adjoining cabinets. Cabinet side filler height should allow for installation of approved cooktop models

WARNING

To reduce the risk of personal injury and tipping of the wall oven, the wall oven must be secured to the cabinet(s) by mounting brackets.

208/240 Volt junction box for built-in oven.



Cut an opening in wood base minimum 4" x 4" (10.2 X 10.2cm), 2" (5cm) from left side filler panel, to route armored cable to junction box.

Use 3/4" (1.9cm) plywood, installed on two runners, flush with toe plate. Base must be capable of supporting 150 pounds (68kg) for 27" models and 200 pounds (90kg) for 30" models.

* If no cooktop is installed directly over the oven unit, 5" (12.7cm) maximum is allowed above the floor.

CUTOUT DIMENSIONS			
	F. WIDTH	G. DEPTH	H. HEIGHT
27" (68.6cm) Wall Oven	24 ⁷ / ₈ " (63.2cm) Min. 25 ¹ / ₄ " (64.1cm) Max.	23 ¹ / ₂ " (59.7cm) Min.	27 ¹ / ₄ " (69.2cm) Min. 28 ¹ / ₄ " (71.8cm) Max.
30" (76.2cm) Wall Oven	28 ¹ / ₂ " (72.4cm) Min. 29" (73.7cm) Max.	23 ¹ / ₂ " (59.7cm) Min.	27 ¹ / ₄ " (69.2cm) Min. 28 ¹ / ₄ " (71.8cm) Max.

Figure 9- TYPICAL UNDER COUNTER INSTALLATION OF A SINGLE ELECTRIC BUILT-IN OVEN WITH AN ELECTRIC COOKTOP MOUNTED ABOVE

ELECTRIC COOKTOP INSTALLATION INSTRUCTIONS

Notes

INSTRUCCIONES PARA LA INSTALACIÓN DE LA ESTUFA ELÉCTRICA

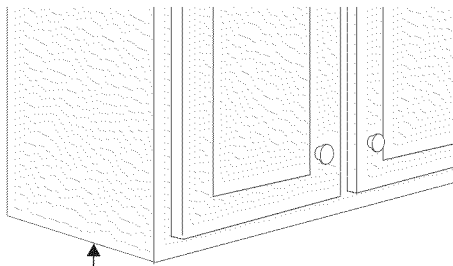
LA INSTALACIÓN Y EL SERVICIO DEBEN SER EFECTUADOS POR UN INSTALADOR CALIFICADO.
IMPORTANTE: GUARDE ESTAS INSTRUCCIONES PARA USO DEL INSPECTOR LOCAL DE ELECTRICIDAD.
LEA Y GUARDE ESTAS INSTRUCCIONES PARA REFERENCIA FUTURA.

Estados Unidos



ADVERTENCIA PARA SU SEGURIDAD: No almacene ni utilice gasolina u otros vapores y líquidos inflamables en la proximidad de este o de cualquier otro artefacto.

Dimensiones de la Estufa

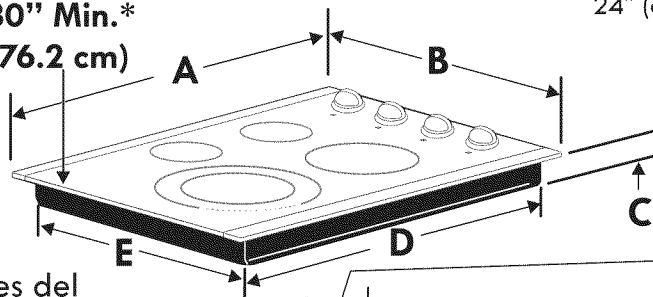


INFORMACIÓN IMPORTANTE PARA LA INSTALACIÓN

- Todas las estufas eléctricas funcionan con una alimentación eléctrica con puesta a tierra de fase singular, 3 o 4 alambres, 240/208 voltios, 60 hertz y sólo AC.
- Favor de notar que la distancia mínima entre la superficie de la estufa y los gabinetes adyacentes y por encima son de 30" (76.2 cm).

* 30" (76.2 cm) mín. para un gabinete desprotegido.
 24" (61 cm) mín. para una superficie protegida.

30" Min.*
 (76.2 cm)



4"el x 8" (10.2 centímetros x 20.3 centímetros) apertura en la parte posterior derecha para encaminar el cable armado si un panel está presente

Dimensiones del Recortado de la Estufa

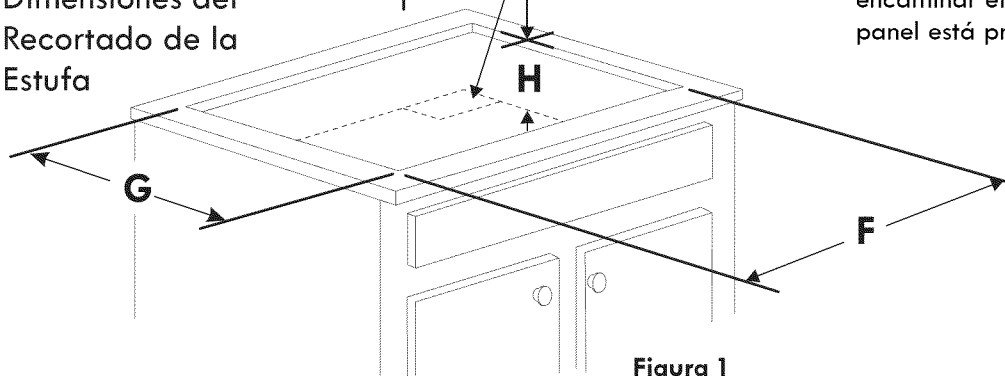


Figura 1

DIMENSIONES DE LA ESTUFA

MODELO	A. ANCHURA	B. PROFUNDIDAD	C. ALTURA	D. ANCHO DE LA CAJA	E. PROFUNDIDAD DE LA CAJA
Modelo 30"	30¾ (78.1)	21½ (54.6)	3¼ (8.3)	29 (73.7)	19¼ (48.9)
Modelo 36"	36¾ (93.3)	21½ (54.6)	3¼ (8.3)	35 (88.9)	19¼ (48.9)

DIMENSIONES DE RECORTADO

MODELO	F. ANCHURA		G. PROFUNDIDAD		H. ALTURA DEBAJO DE LA ESTUFA*
	MÍNIMA	MÁXIMA	MÍNIMA	MÁXIMA	
Modelo 30"	29 5/8 (75.2)	30 (76.5)	20¼ (51.4)	20½ (52.1)	6 (15.2)
Modelo 36"	35 5/8 (90.5)	36 (91.4)	20¼ (51.4)	20½ (52.1)	6 (15.2)

Todas las dimensiones se dan en pulgadas (cm).

* Deje 2" (5 cm) de hueco debajo de la estufa para espacio para el cable eléctrico y la instalación de la caja de empalmes en la pared detrás de la estufa.

Impreso en los Estados Unidos

P/N 318205415 (1004) Rev. A

English – pages 1-8

Español – paginas 9-16

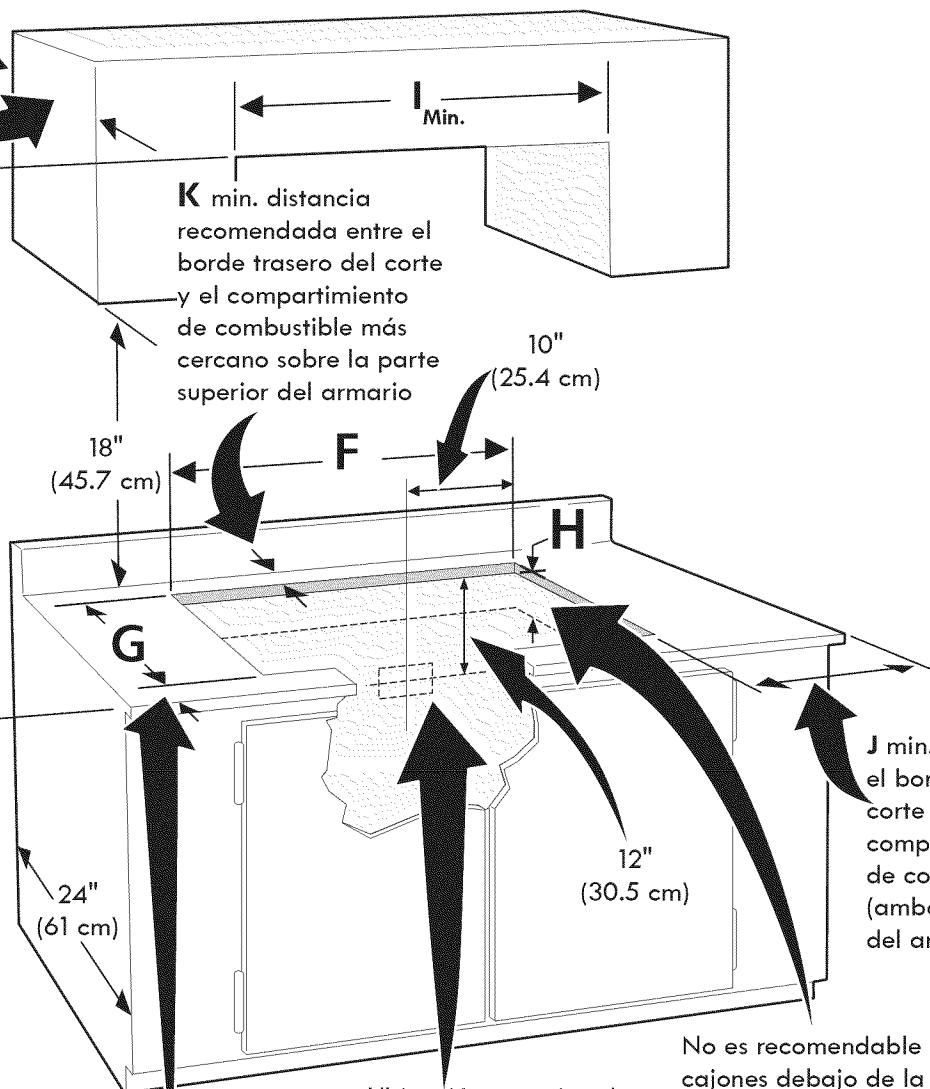
INSTRUCCIONES PARA LA INSTALACIÓN DE LA ESTUFA ELÉCTRICA

El armario superior no debe sobrepasar una profundidad máxima de 13" (33 cm)

30" (76.2 cm) min. de espacio entre la parte superior del fogón y la parte inferior de un armario de madera o metal sin protección.

24" (61 cm) min. cuando la parte inferior del armario de madera o metal está protegida por una placa cortafuego retardante de llama de no menos de 1/8", cubierta con una lámina de acero msg no inferior al No. 28, de acero inoxidable de 0.015", aluminio de 0.024" o cobre de 0.020".

2 1/2" (6.4 cm) mín. desde el borde delantero del corte hasta el borde delantero de la parte superior del armario



Ubicación aproximada de la caja de empalmes

No es recomendable utilizar cajones debajo de la estufa.

Para las dimensiones J y K, véase la tabla en la página 1.

PRECAUCION Para evitar riesgos de quemaduras o incendios al tocar superficies calientes, se deben evitar los armarios sobre la superficie de los quemadores. Si existe un armario, se pueden reducir los riesgos instalando una campana que se extienda horizontalmente en un mínimo de 5" (12.7 cm) por sobre la parte inferior de los armarios.

Modelo	J	K
Modelo 30"	7 1/2" (19.1 cm)	2" (5.1 cm)
Modelo 36"	7 1/2" (19.1 cm)	2" (5.1 cm)

Figura 2 – EL CORTE DE LA PARTE SUPERIOR DEL ARMARIO

INSTRUCCIONES PARA LA INSTALACIÓN DE LA ESTUFA ELÉCTRICA

Notas importantes para el instalador

1. Lea todas las instrucciones contenidas en este manual antes de instalar la estufa.
2. Saque todo el material usado en el embalaje de la estufa antes de conectar el suministro eléctrico a la estufa.
3. Observe todos los códigos y reglamentos pertinentes.
4. Deje estas instrucciones con el consumidor.

Nota importante al consumidor

Conserve estas instrucciones y el Manual del usuario para referencia futura.

INSTRUCCIONES IMPORTANTES DE SEGURIDAD

- Asegúrese de que su estufa sea instalada y puesta a tierra de forma apropiada por un instalador calificado o por un técnico de servicio.
- Esta estufa debe ser eléctricamente puesta a tierra de acuerdo con los códigos locales o, en su ausencia, con el Código Eléctrico Nacional ANSI/NFPA No. 70 – última edición en los Estados Unidos, o el Código Eléctrico Canadiense CSA Standard C22.1, Part 1 en Canadá.

⚠ ADVERTENCIA La alimentación eléctrica a la estufa debería apagarse mientras se hacen las conexiones de línea. El no hacerlo podría resultar en daños serios o la muerte.

Provea conexión eléctrica

Instale la caja de empalmes debajo del armario y provea un cable de 120/240 o 120/208 Voltios, AC al panel de circuitos del aparato. NO conecte la cable al panel de circuitos en este momento.

Requisitos eléctricos

Cumpla con todos los códigos en vigor y todos los reglamentos locales.

1. Para el suministro eléctrico solamente se necesita corriente con frecuencia de 60 Hz AC y fase única de 120/240 o 120/208 voltios suministrada por cable de 3 o de 4 alambres en un circuito separado con fusibles en ambos lados de la línea (se recomienda un fusible de tiempo retardado o un cortacircuitos). NO ponga un fusible en el hilo neutro.
2. Un interruptor de 40Amp es recomendado.

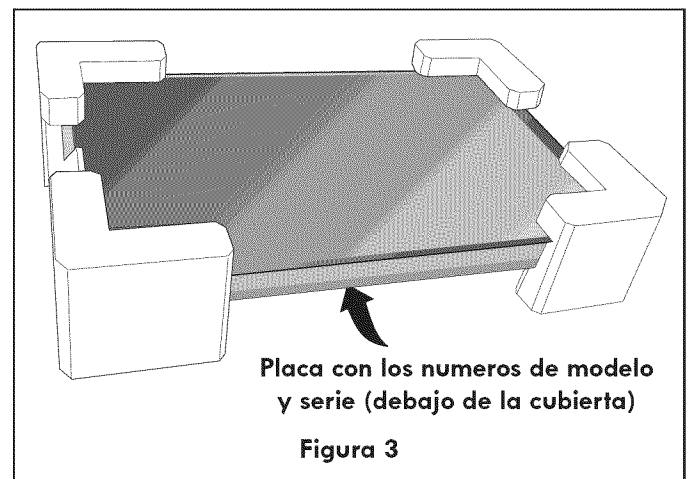
NOTA: El tamaño de los cables y de las conexiones debe de estar en conformidad con el tamaño del fusible y con la capacidad del electrodoméstico y de acuerdo con el Código Eléctrico Nacional ANSI/NFPA No. 70 - última edición y los códigos y reglamentos locales.

⚠ ADVERTENCIA No se debe usar una alargadora para enchufar este electrodoméstico. Esto podría resultar en un incendio, un choque eléctrico u otro tipo de daño personal.

3. Este electrodoméstico debe conectarse a la caja de fusibles (o de cortacircuitos), por medio de un cable blindado flexible o un cable con forro no metálico. El cable blindado flexible que va desde el electrodoméstico debe de estar conectado directamente a la caja de empalme. La caja de empalme debe de estar localizada en el lugar que se indica en la Figura 2, dejando tanto exceso de cable como sea posible entre la caja y el electrodoméstico, de forma que así el electrodoméstico se pueda mover fácilmente, si fuera necesario para hacer una reparación.
4. Se debe de usar un conector que reduzca la tirantez de una forma adecuada para unir el cable blindado flexible a la caja de empalme.

Instrucciones de desembalaje

1. Deje los soportes de las esquinas en la estufa hasta la terminación de la Conexión Eléctrica.
2. Asegúrese que la botella de limpiador ubicada en la empaquete de literatura esta situada en un lugar donde puede encontrarse fácilmente. Es importante de tratar de antemano la superficie en vidrio de cerámico antes de utilizar. Ve a la parte sobre **Limpieza y Mantenimiento de la Cubierta** en este Manual del usuario.



INSTRUCCIONES PARA LA INSTALACIÓN DE LA ESTUFA ELÉCTRICA

Conexión eléctrica

El usuario tiene la responsabilidad personal y obligación de utilizar un instalador calificado, para asegurar que la instalación eléctrica está hecha de forma adecuada y está conforme con el Código Eléctrico Nacional ANSI/NFPA No. 70-última edición en los Estados Unidos, o el Código Eléctrico Canadiense CSA Standard C22.1, Part 1, en Canadá.

⚠️ ADVERTENCIA Riesgo de choque eléctrico

(El no prestar atención a esta advertencia puede resultar en electrocución u otras lesiones graves.) Este electrodoméstico está equipado con alambre de cobre. Si se va a conectar con cableado de aluminio del hogar, utilizar únicamente conectores que están aprobados para unir cobre y aluminio de acuerdo al Código Nacional Eléctrico (NEC por sus siglas en inglés) y leyes y códigos locales. Al instalar conectores con tornillos que empujen directamente contra el acero y/o aluminio del conducto flexible, no apretar los tornillos suficientemente que dañen el conducto flexible. No doblar de más o deformar el conducto flexible para evitar separar el espiral y descubrir los alambres internos.

NO conecte el alambre puesto a tierra a una tubería de suministro de gas. NO conecte el suministro de energía eléctrica hasta que el electrodoméstico haya sido permanentemente puesto a tierra. Conecte el alambre de puesto a tierra antes de enchufar por primera vez el electrodoméstico.

⚠️ ADVERTENCIA (Si su electrodoméstico está equipado con un conductor neutro blanco.)

Este electrodoméstico está fabricado con un suministro eléctrico neutro blanco y un alambre de cobre conectado al armazón. El armazón está puesto a tierra por un enlace de la conexión a tierra con la conexión del neutro al final de la línea eléctrica, si es usado en los estados unidos una nueva instalación de circuito de bifurcación (1996 NEC), casa rodante, vehículos recreacionales, o donde los códigos locales no permitan poner a tierra mediante el neutro (blanco) o en Canadá, desconectar la conexión blanca de la verde y utilizar la conexión a tierra para poner a tierra la unidad de acuerdo a los códigos locales, conectar el neutro al circuito de bifurcación- conductor neutro de manera usual. Ver Figura 6 o 7. Si su electrodoméstico va a ser conectado a una caja de conexión puesta a tierra de 3 cables (en los estados unidos solamente), donde los códigos locales permitan conectar el conductor de poner a tierra-electrodoméstico con el neutro (blanco) ver Figura 4 o 5.

NOTA AL ELECTRICISTA: Los conductores de cable blindados provistos con este artefacto son aprobados por UL para la conexión al alambrado de casa de un calibre mayor. El aislamiento de los conductores está calificado para temperaturas más altas que las del

alambrado de la casa. La capacidad de corriente del conductor está gobernada por la calificación de la temperatura del aislamiento alrededor del alambre en vez de solamente el calibre del alambre.

Donde los códigos locales permitan conectar el conductor de puesta a tierra del electrodoméstico al neutral (blanco):

Si su cocina tiene un cable de 3 hilos que debe conectarse a una caja de juntas con conexión a tierra de 3 hilos (ver figura 4):

1. Desconecte el suministro eléctrico.
2. En el interruptor automático, caja de fusibles o caja de juntas: conectar el aparato y los cables residenciales como se muestra en la figura 4.

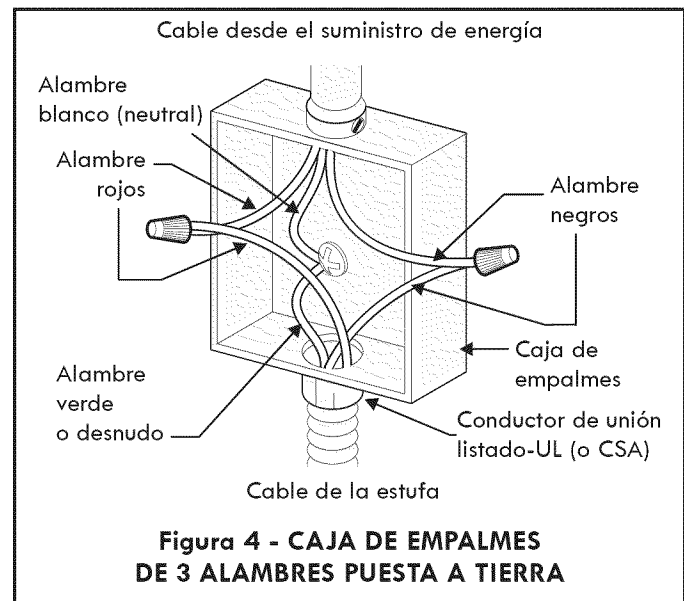
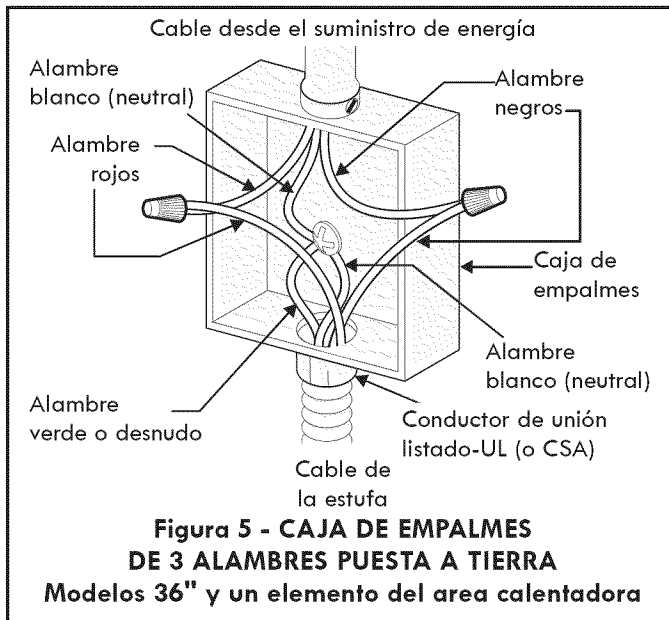


Figura 4 - CAJA DE EMPALMES DE 3 ALAMBRES PUESTA A TIERRA

Si su cocina tiene un cable de 4 hilos que debe conectarse a una caja de juntas con conexión a tierra de 3 hilos (ver figura 5):

1. Desconecte el suministro eléctrico.
2. En el interruptor automático, caja de fusibles o caja de juntas: conectar el aparato y los cables residenciales como se muestra en la figura 5.

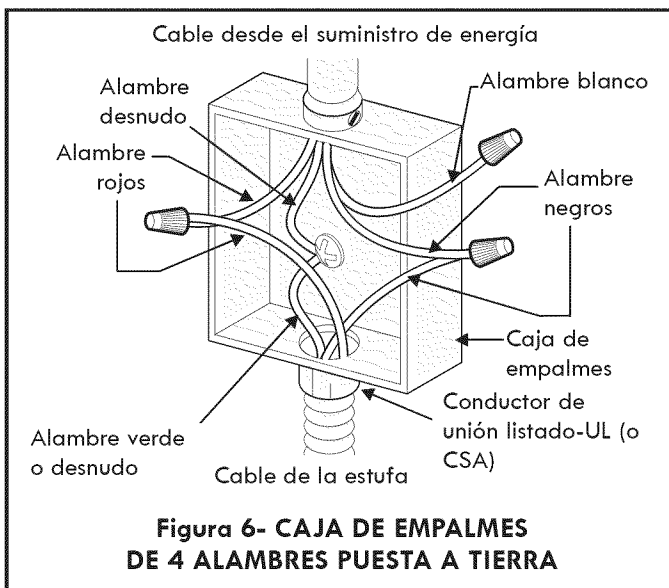
INSTRUCCIONES PARA LA INSTALACIÓN DE LA ESTUFA ELÉCTRICA



Si el aparato se usa en una instalación de circuito de ramal nuevo (1996 NEC), en una casa rodante, en un vehículo para recreación o si los códigos locales **NO** permiten la conexión a tierra a través del cable neutral (blanco), el armazón del electrodoméstico **NO TIENE QUE** estar conectado al alambre neutro del sistema eléctrico de 4 alambres.

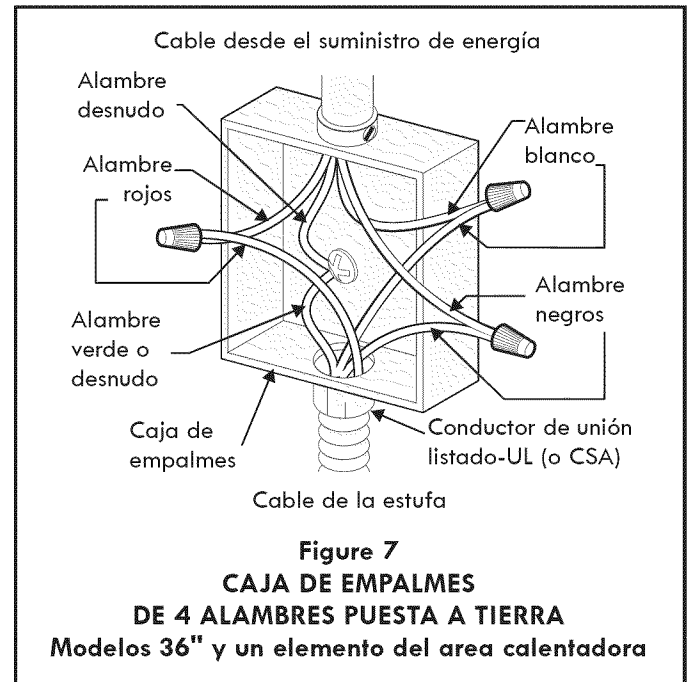
Si su cocina tiene un cable de 3 hilos (ver figura 6):

1. Desconecte el suministro eléctrico.
2. Separe el alambre verde (o cobre desnudo) y el alambre blanco del electrodoméstico.
3. Ponga un aislador en el alambre blanco del cable de suministro si el aparato tiene un cable de sólo 3 alambres.
4. En el interruptor automático, caja de fusibles o caja de juntas: conectar el aparato y los cables residenciales como se muestra en la figura 6.



Si su cocina tiene un cable de 4 hilos (ver figura 7):

1. Desconecte el suministro eléctrico.
2. Separe el alambre verde (o cobre desnudo) y el alambre blanco del electrodoméstico.
4. En el interruptor automático, caja de fusibles o caja de juntas: conectar el aparato y los cables residenciales como se muestra en la figura 7.

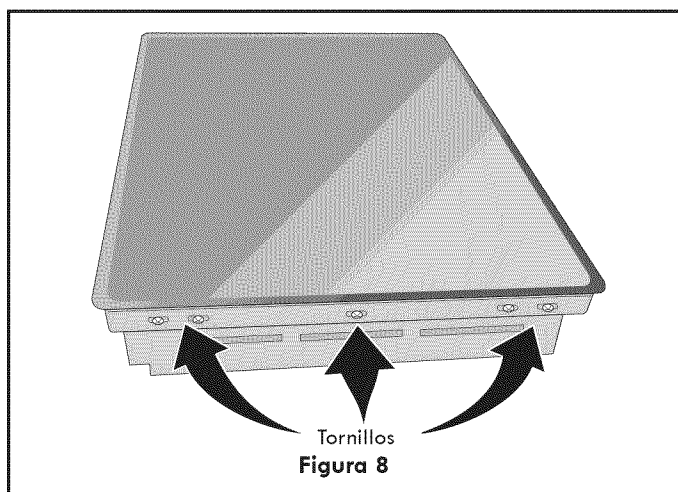


PRECAUCION Si está conectado a un sistema eléctrico de 4 alambres, el armazón del electrodoméstico **NO TIENE QUE** estar conectado al alambre neutro del sistema eléctrico de 4 alambres.

INSTRUCCIONES PARA LA INSTALACIÓN DE LA ESTUFA ELÉCTRICA

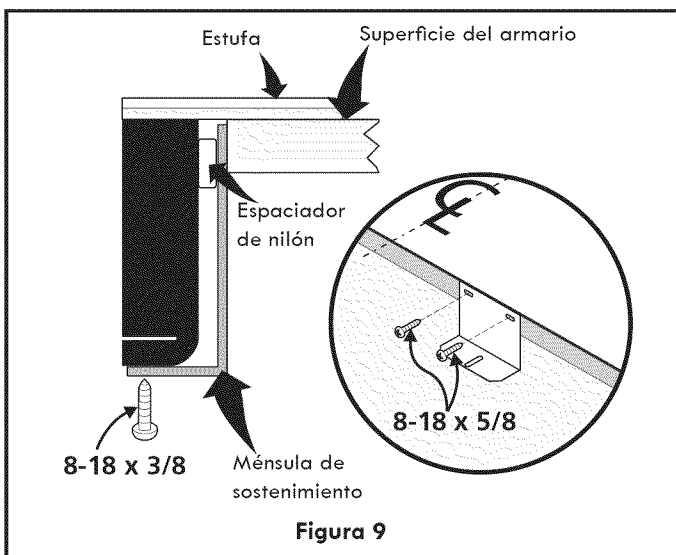
Instalación de la estufa

1. Visualmente inspeccione la estufa para daños. Verifique además que todos los tornillos de la estufa estén bien ajustados (Figura 8).



2. Instale las ménsulas de sostén. Ver Figura 9

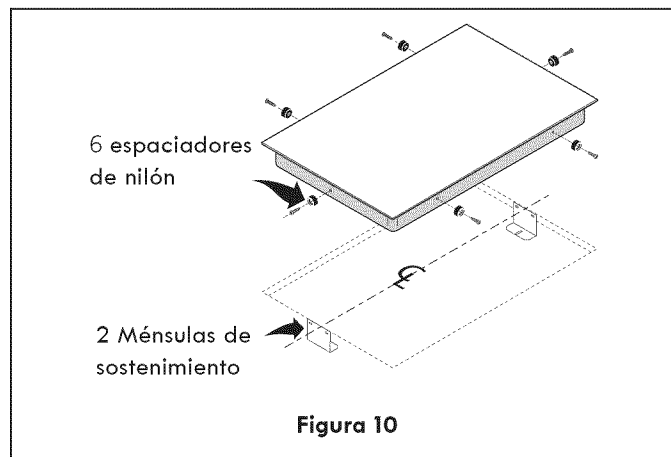
Las ménsulas de sostenimiento **TIENEN QUE** instalarse, a satisfacción de los códigos locales o, en su ausencia, con el Código Eléctrico Nacional ANSI/NFPA No. 70-última edición, o con la Norma CSA C22.1, Código Eléctrico Canadiense, Parte 1 (Figura 9).



3. Fije la estufa en el recortado del armario.

NOTA: No utilice compuesto de retoque; la estufa debe poder retirarse para las reparaciones cuando sea necesario.

ADVERTENCIA No quite los espaciadores de nilón en los bordes de la estufa. Estos espaciadores mantienen la estufa en el centro del espacio provisto. La estufa debe estar centrado para evitar una acumulación excesiva de calor que puede resultar en daños por calor o incendio (Figura 10).



Revisión de operación

Consulte el **Manual del Usuario** para las instrucciones de funcionamiento.

No toque el cristal o los elementos de la estufa. Puede que estén lo suficiente calientes para quemar.

Ubicación del número de modelo y de serie

La placa con el número de modelo y de serie está ubicada en el fondo de la estufa.

Cuando haga pedidos de repuestos o solicite información con respecto a su estufa, esté siempre seguro de incluir el número de modelo y de serie y el número o letra del lote de la placa de serie de su horno.

Antes de llamar al servicio

Lea la sección Lista de Control de Averías en su **Manual del Usuario**. Esto le podrá ahorrar tiempo y gastos. Esta lista incluye ocurrencias comunes que no son el resultado de defectos de materiales o fabricación de este artefacto.

Lea la garantía y la información sobre el servicio en su **Manual del Usuario** para obtener el número de teléfono y la dirección del servicio o llamar **1-888-SU-HOGAR** SM.

INSTRUCCIONES PARA LA INSTALACIÓN DE LA ESTUFA ELÉCTRICA

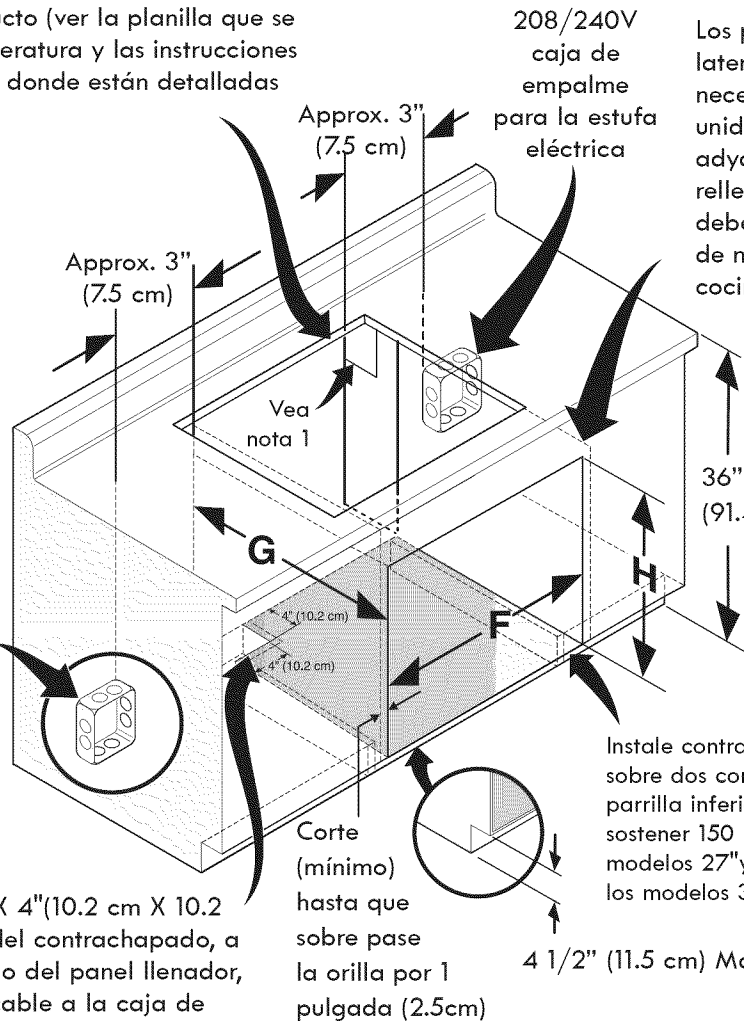
Instalación típica para una estufa eléctrica encima de un horno de pared instalado debajo del mostrador

Sólo ciertos modelos de tapas de cocina se pueden instalar sobre ciertos modelos de hornos eléctricos empotrados. Las tapas de cocina y los hornos empotrados se mencionan por su número de identificación MFG ID y código de producto (ver la planilla que se incluye en el paquete de literatura y las instrucciones de instalación de la cocina donde están detalladas las dimensiones).

Nota 1: Apertura de 4" x 4" (10.2 x 10.2 cm) para guiar el cable blindado de la cubierta a la caja de conexiones.

Los paneles de relleno laterales del gabinete son necesarios para aislar la unidad de los gabinetes adyacentes. La altura del relleno lateral del gabinete debe permitir la instalación de modelos de tapas de cocina aprobados.

ADVERTENCIA
Para reducir el riesgo de lesiones personales y inclinación del horno de pared, éste debe asegurarse a los gabinetes mediante soportes de montaje.



208/240 caja de empalme para hornos de pared

Instale contrachapado de 3/4" (1.9 cm) sobre dos correderas, nivelado con la parrilla inferior. La base debe poder sostener 150 libras (68 kg) para los modelos 27" y 200 libras (90 kg) para los modelos 30".

Corte una abertura de 4" X 4" (10.2 cm X 10.2 cm) (mínimo) en el fondo del contrachapado, a 2" (5 cm) del lado izquierdo del panel llenador, para poder encaminar el cable a la caja de empalme.

Corte (mínimo) hasta que sobre pase la orilla por 1 pulgada (2.5cm)

4 1/2" (11.5 cm) Max.*

* Si no se instala ninguna tapa de cocina directamente sobre la unidad del horno, se permite un espacio máximo de 5" (12,7 cm) sobre el piso.

DIMENSIONES DE ABERTURA			
	F. ANCHURA	G. PROFUNDIDAD	H. ALTURA
27" (68.6 cm) Horno de pared	24 7/8" (63.2 cm) Min. 25 1/4" (64.1 cm) Max.	23 1/2" (59.7 cm)	27 1/4" (69.2 cm) Min. 28 1/4" (71.8 cm) Max.
30" (76.2 cm) Horno de pared	28 1/2" (72.4 cm) Min. 29" (73.7 cm) Max.	23 1/2" (59.7 cm)	27 1/4" (69.2 cm) Min. 28 1/4" (71.8 cm) Max.

INSTALACIÓN TÍPICA DEBAJO DE LA MESADA DE HORNO SIMPLE EMPOTRADO CON TAPA DE COCINA MONTADA

INSTRUCCIONES PARA LA INSTALACIÓN DE LA ESTUFA ELÉCTRICA

Notas