

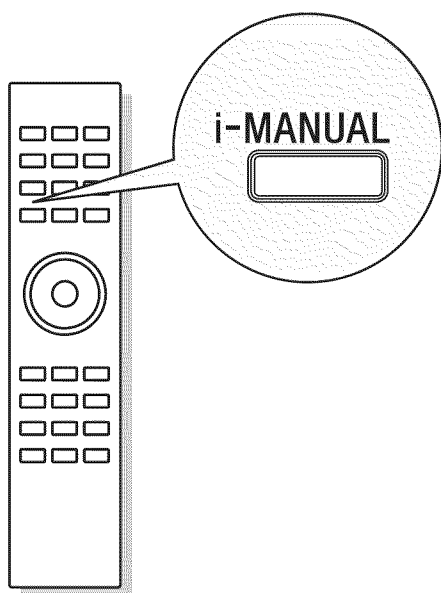
# LCD Digital Color TV

**Setup Guide** (Operating Instructions)

Setting up your TV

To watch TV

Additional Information



# BRAVIA

## Sony Customer Support

U.S.A.: [www.sony.com/tvsupport](http://www.sony.com/tvsupport)

Canada: [www.sony.ca/support](http://www.sony.ca/support)

United States      Canada  
1.800.222.SONY    1.877.899.SONY

Please Do Not Return  
the Product to the Store

## Owner's Record

The information label are located on the rear of the TV. For KDL-NX801/800 series models, they can be found by removing the bottom cover. Record model name and serial numbers on the information label in the spaces provided below. Refer to them whenever you call upon your Sony dealer regarding this TV.

Model Name

\_\_\_\_\_

Serial No.

\_\_\_\_\_

## CAUTION

To prevent electric shock and blade exposure, do not use this polarized AC plug with an extension cord, receptacle or other outlet unless the blades can be fully inserted.

- Operate the TV only on 110-240 V AC (U.S.A./Canada 120 V AC)
- Avoid operating the TV at temperatures below 41°F (5°C).
- Some people may experience discomfort (such as eye strain, fatigue, or nausea) while watching 3D video images or playing stereoscopic 3D games. Sony recommends that all viewers take regular breaks while watching 3D video images or playing stereoscopic 3D games. The length and frequency of necessary breaks will vary from person to person. You must decide what works best. If you experience any discomfort, you should stop watching the 3D video images or playing stereoscopic 3D games until the discomfort ends; consult a doctor if you believe necessary. You should also review (i) the instruction manual of any other device or media used with this television and (ii) our website ([www.sony.com/tvsupport](http://www.sony.com/tvsupport)) for the latest information. The vision of young children (especially those under six years old) is still under development. Consult your doctor (such as a pediatrician or eye doctor) before allowing young children to watch 3D video images or play stereoscopic 3D games. Adults should supervise young children to ensure they follow the recommendations listed above.
- Do not use, store, or leave the 3D Glasses or the battery near fire, or in places with a high temperature, e.g., in direct sunlight, or in sun-heated cars.

- When using the simulated 3D function, please note that the displayed image is modified from the original due to the conversion done by this television.

## Licensing Information

Macintosh is a trademark of Apple Inc., registered in the U.S. and other countries.

HDMI, the HDMI Logo, and High-Definition Multimedia Interface are trademarks or registered trademarks of HDMI Licensing LLC in the United States and other countries.

Ferguson Patent Properties, LLC:  
U.S. Patent No. 5,717,422  
U.S. Patent No. 6,816,141

Manufactured under license from Dolby Laboratories. Dolby and the double-D symbol are trademarks of Dolby Laboratories.


In the United States, TV Guide and TV Guide On Screen are registered trademarks of TV Guide Entertainment Group, Inc. and/or its subsidiaries or affiliates, and are used under a license by Gemstar-TV Guide International, Inc. and/or its subsidiaries. In Canada, TV Guide is a registered mark of Transcontinental Inc., and is used under a license by Gemstar-TV Guide International, Inc. and/or its subsidiaries.

The TV Guide On Screen system is manufactured under license from Gemstar-TV Guide International, Inc. and/or its subsidiaries.

The TV Guide On Screen system is protected by one or more of the following United States patents 6,498,895; 6,850,693; 6,396,546; 5,940,073; 6,239,794 to Gemstar-TV Guide International, Inc. and/or its subsidiaries.

Gemstar-TV Guide International, Inc. and/or its related affiliates are not in any way liable for the accuracy or availability of the program schedule information or other data in the TV Guide On Screen system and cannot guarantee service availability in your area. In no event shall Gemstar-TV Guide International, Inc. and/or its related affiliates be liable for any damages in connection with the accuracy or availability of the program schedule information or other data in the TV Guide On Screen system.

Blu-ray Disc is a trademark.

“BRAVIA” and BRAVIA, S-Force, Motionflow, BRAVIA Sync, and  are trademarks or registered marks of Sony Corporation.

“XMB” and “xross media bar” are trademarks of Sony Corporation and Sony Computer Entertainment Inc.

“PlayStation” is a registered trademark and “PS3” is a trademark of Sony Computer Entertainment Inc.

DLNA®, the DLNA Logo and DLNA CERTIFIED® are trademarks, service marks, or certification marks of the Digital Living Network Alliance.



Your BRAVIA TV is ENERGY STAR® qualified in the “Home” mode.



It meets strict energy efficiency guidelines set by the U.S. Environmental Protection Agency and Department of Energy. ENERGY STAR is a joint program of these government agencies, designed to promote energy efficient products and practices.

Changes to certain features, settings, and functionalities of this TV (i.e. TV Guide, Picture/Sound, Light Sensor, Power Savings) can increase or change the power consumption.

Depending upon such changed settings, the power consumption may exceed the limits required for the ENERGY STAR qualification in the “Home” mode.

The 55 class has a 54.6 inch viewable image size (measured diagonally).



- The illustrations of the remote control used in this manual are of the RM-YD036 unless otherwise stated.
- The illustrations used in this manual may differ depending on your TV model.

# Table of Contents

Checking the accessories.....	4
Inserting batteries into the remote control .....	4
<b>Setting up your TV</b>	
Attaching the Table-Top Stand.....	6
Connecting the TV.....	9
Securing the TV.....	13
Organizing the AC power cord .....	14
Running initial setup .....	15
Detaching the Table-Top Stand from the TV.....	15
Using a Wall-Mount Bracket.....	16
Installing the TV Against a Wall or Enclosed Area .....	16
<b>To watch TV</b>	
To watch programs.....	17
To use the TV features.....	17
To use i-Manual.....	18
<b>Additional Information</b>	
Troubleshooting.....	19
Specifications .....	21

- Operating instructions are built into your **BRAVIA** TV. Refer to “To use i-Manual” for operation (page 18).
- Retain this manual for future reference.

## The BRAVIA® Full HDTV Experience

Thank you for choosing Sony! Your new BRAVIA® TV opens the door to the “Full HDTV Experience.” This document will help you get the most out of your TV.

Please take a moment to register your TV at:

**U.S.A.:** <http://productregistration.sony.com>

**Canada:** <http://www.SonyStyle.ca/registration>

### Four Steps to a Full HD Experience

Set, Source, Sound, and Setup.

#### 1 Set

Now that you have made the best selection in LCD TV technology, be sure to remove all accessory contents from the packaging before setting up your TV.

#### 2 Source

To experience the stunning detail of your **BRAVIA** TV, you need access to HD programming.

- Upgrade your signal or content source to high-definition (HD) by contacting your HD service provider.

- Receive over-the-air HD broadcasts with an HD-quality antenna connected directly to the back of your TV.  
Visit [www.antennaweb.org](http://www.antennaweb.org) for more information on antenna selection and setup.
- Discover the wealth of entertainment now available on super-high resolution Blu-ray Disc™ player and other Sony HD equipment.

#### 3 Sound

Complete the high-definition experience with a **BRAVIA** Sync™ surround sound system or A/V receiver from Sony.

#### 4 Setup

Install your TV and connect your sources. See page 9 for sample connection diagrams.

To help assure the highest quality for your HD experience, use Sony HDMI (High-Definition Multimedia Interface) cables.

**To learn more about HDTV, visit:**

**U.S.A.:** <http://www.sony.com/HDTV>

**Canada:** <http://www.SonyStyle.ca/hd>

This TV displays all video input signals in a resolution of 1,920 dots × 1,080 lines.

## Checking the accessories

### For all models

**Table-Top Stand (1)\*<sup>1</sup>**

**Remote control (1)\*<sup>2</sup>**

**Size AAA batteries (2)**

### For KDL-60NX801, KDL-60/52/ 46NX800 and KDL-46/40NX700 models

**AC power cord (1)**

**Bottom Cover (1)\*<sup>3</sup>** (KDL-60NX801 and  
KDL-60/52/46NX800 only)

**Stand Rear Cover (1)\*<sup>3</sup>**

**Fixing screws for Table-Top Stand  
(M5 × 16) (4)\*<sup>3</sup>**

**Assembling Screws for Table-Top  
Stand (M5 × 16) (4)** (KDL-40NX700 only)

**Black Spacers (4)\*<sup>4</sup>** (KDL-52/46NX800  
only)

**Silver Spacers (4)\*<sup>4</sup>** (KDL-60NX801 and  
KDL-60NX800 only)

**Screws (M6 × 20) (4)\*<sup>4</sup>** (KDL-60NX801  
and KDL-60NX800 only)

### For KDL-55NX811, KDL-60/55/ 46NX810, KDL-46/40NX711 and KDL- 46/40NX710 models

**Hexagon wrench (1)**

**Assembling screws for Table-Top Stand (4)**  
(KDL-55NX811, KDL-60/55/46NX810,  
KDL-46NX711 and KDL-46NX710 only)

**Assembling screws for Table-Top Stand (2)**  
(KDL-40NX711, KDL-40NX710 only)

**3D Glasses (battery included) (2)**  
(KDL-55NX811 and KDL-46/40NX711 only)

**Pouch for 3D Glasses (2)**  
(KDL-55NX811 and KDL-46/40NX711 only)

**3D Sync Transmitter (1)**  
(KDL-55NX811 and KDL-46/40NX711 only)

**Double-sided tape (2)**  
(KDL-55NX811 and KDL-46/40NX711 only)

\*1 KDL-60NX801/60NX800 models are shipped  
with the parts attached to the TV.  
KDL-55NX811, KDL-60/55/46NX810, KDL-  
46/40NX711, KDL-46/40NX710 and KDL-  
40NX700 models requires assembling. Refer to  
other leaflet to assemble the Table-Top Stand.

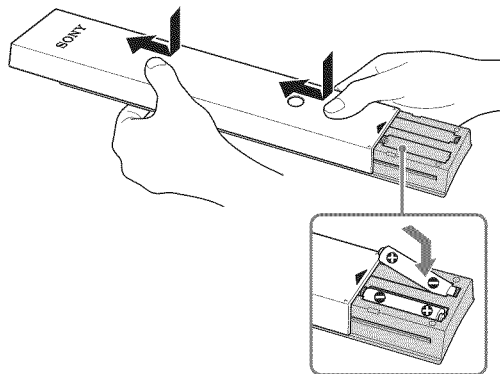
\*2 Please refer to the model name printed on the  
remote control.

\*3 KDL-60NX801/60NX800 models are shipped  
with the parts attached to the TV.

\*4 These screws and spacers are required when  
installing an optional Wall-Mount Bracket. You

must use these screws instead of the ones  
provided with the bracket for safety reasons. Be  
sure to keep them in a safe place until you are  
ready to use the Wall-Mount Bracket. See  
page 23 for the recommended Wall-Mount  
Bracket for your TV.

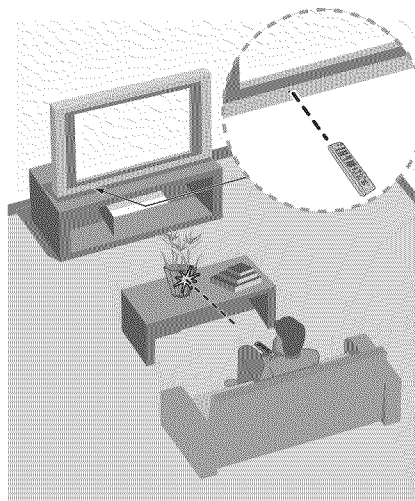
## Inserting batteries into the remote control



- 1 Remove the protection sheet.
- 2 Push and slide the cover upward.

### Guidelines for Remote Control

- Point your remote control directly at the IR sensor located on your TV.
- Make sure that no objects are blocking the path between the remote control and the IR sensor on your TV.
- Fluorescent lamps can interfere with your remote control; try turning off the fluorescent lamps.
- If you are having problems with the remote control, reinsert or replace your batteries and make sure that they are correctly inserted.

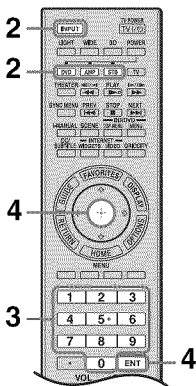


## Programming the Remote Control

Your remote control can be programmed to use other equipment and is pre-programmed to operate the following Sony equipment.

Function Button	Sony Equipment	Code Number
DVD	DVD Player	31033
AMP	Receiver	52172
STB	Digital Satellite	01639

## Programming Other Equipment



Follow the steps below to program your TV remote control.

- 1 Look for the code in the Manufacturer's Code List (refer to i-Manual) that corresponds to the equipment you would like to operate with the Sony remote control. If more than one code is provided, try programming the first code listed. If your equipment's code is not listed, visit <http://esupport.sony.com/remotecodes> for a more comprehensive list.
- 2 Press and hold a **DVD**, **AMP** or **STB** function button simultaneously with **INPUT** button and release.  
When in the programming mode, the function button (**DVD**, **AMP**, **STB**) blinks for approximately 30 seconds until a code is entered.
- 3 Enter the five digit code using **0** - **9** while the function buttons (**DVD**, **AMP**, **STB**) are lit. If the code is not entered within 30 seconds, you must repeat step 2.
- 4 Press **+** or **ENT** to confirm the code. If successfully programmed, the function button (**DVD**, **AMP**, **STB**) will blink twice, if not, it blinks five times.

## Confirm the Programming

If you can turn your equipment on and off using the green **POWER** button, the programming is complete. If not, try the next code listed.



- In some cases, you may not be able to program your remote control. If this is the case, use your equipment's own remote control.
- Any of the function buttons (**DVD**, **AMP**, **STB**) can be programmed to operate other equipment regardless of the labeling. For example, if programmed with the correct code, a Blu-ray Disc player can be operated with the **DVD** button. This is useful if your equipment does not match any of the labeled buttons.

## To reset the remote control to the factory default:

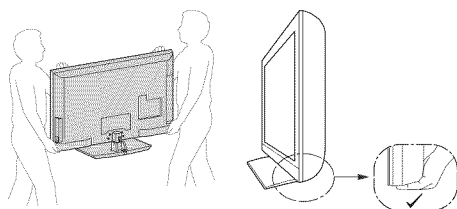
Press **SCENE**, **TV POWER**, and **+** simultaneously. The four function buttons (**DVD**, **AMP**, **STB**, and **TV**) blink when successfully reset.

# Setting up your TV

Some TV models are packaged with a detached Table-Top Stand so you can mount your TV to a wall right away. If you are not mounting the TV to a wall, you will need to attach the Table-Top Stand. You will need a Phillips screwdriver and the supplied screws to complete the task. Look for the attachment instructions provided with the TV.

Be sure to consider the following while setting up your TV:

- Disconnect all cables when carrying the TV.
- Carry the TV with the adequate number of people; larger size TVs require two or more people.
- Correct hand placement while carrying the TV is very important for safety and to avoid damage.



- Ensure your TV has adequate ventilation, see page 16.
- For best picture quality, do not expose the screen to direct illumination or sunlight.
- Avoid installing the TV in a room with reflective wall and floor materials.
- If the TV is brought directly from a cold to a warm location, or is placed in a very damp room, or is placed in a room in which heating has just been turned on, moisture may condense on the surface or inside the TV. Should this occur, turn off the TV and leave the TV off until the moisture evaporates, and then the TV can be used. If you notice moisture condensation between the glass panel and the LCD, turn on the TV and the condensation will evaporate after the TV has warmed up.

## Attaching the Table-Top Stand

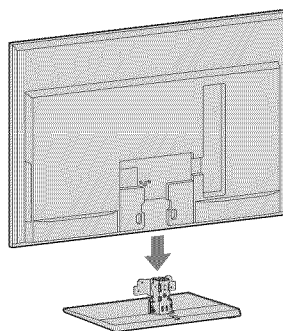
Refer to the supplied Table-Top Stand instruction leaflet for proper attachment for some TV models.



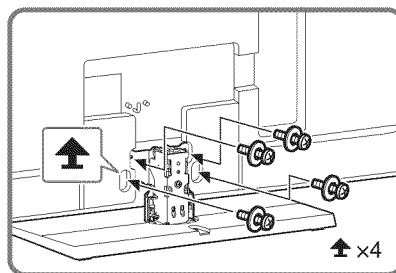
- Do not put stress on the LCD panel or the frame around the screen.
- Be careful to not pinch your hands or the AC power cord when you install the TV unit to the Table-Top Stand.

### For KDL-52/46NX800 and KDL-46/40NX700

- 1 Gently slide the TV unit onto the Table-Top Stand and align the screw holes.



- 2 Use the supplied screws to attach the TV unit to the Table-Top Stand.

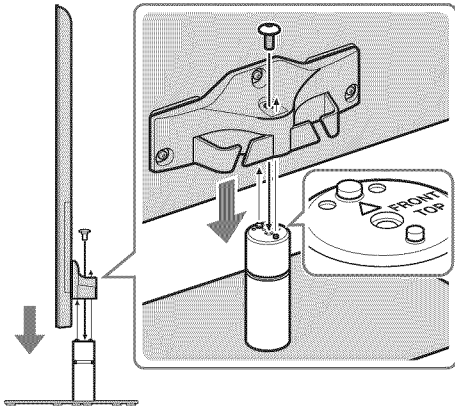


- If you use an electric screwdriver, set the tightening torque at approximately 1.5 N·m {15 kgf·cm}.

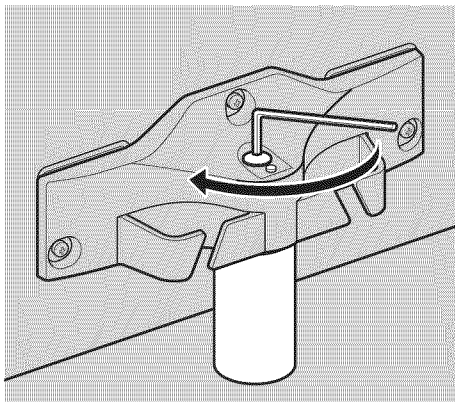
- 3 After all the screws are tighten cover the Table-Top Stand with the supplied Stand Rear Cover.

**For KDL-55NX811, KDL-60/55/  
46NX810, KDL-46/40NX711 and  
KDL-46/40NX710**

- 1** Align with the two dowels of the Table-Top Stand, and gently place the TV, checking the  $\Delta$  mark is facing the front.



- 2** Attach the TV and Table-Top Stand with the supplied screw and hexagon wrench.



- Set the torque setting to approximately 3 N·m {30 kgf·cm}.

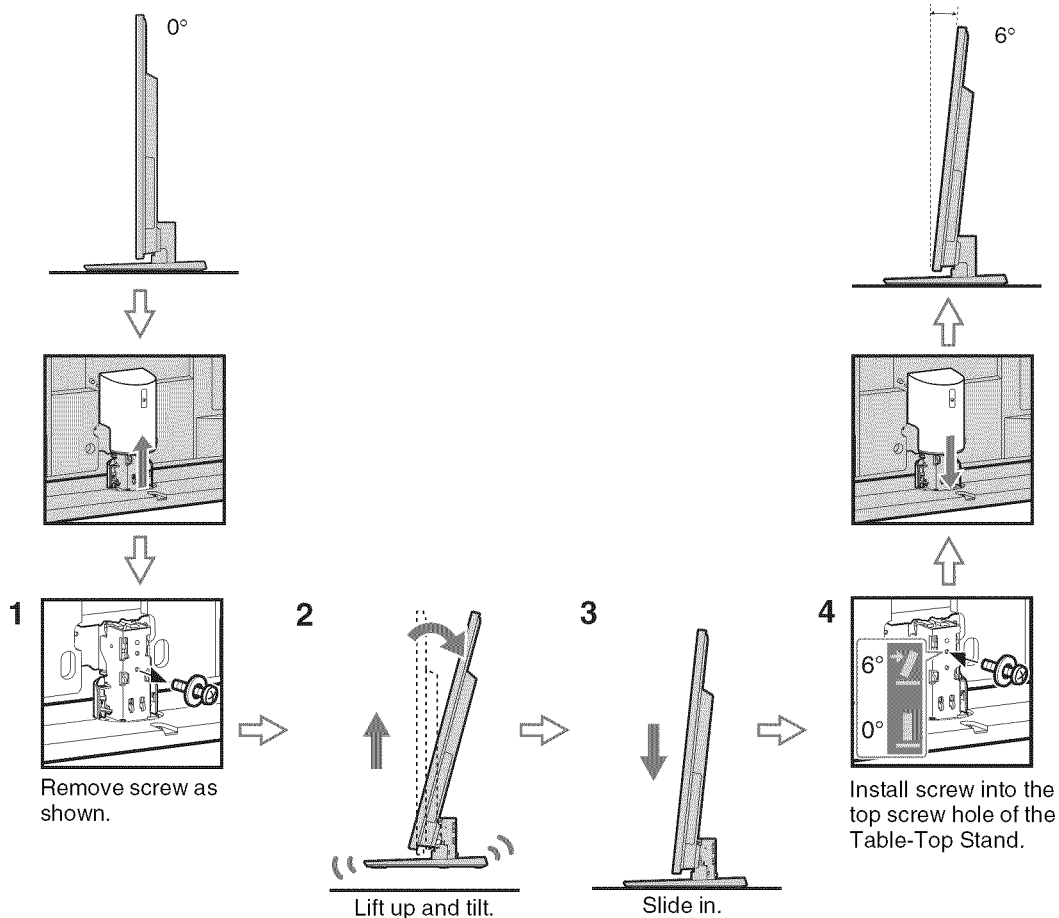
**Reattaching the Table-Top Stand to the TV**

Attach to the original position using the removed screws. See “Detaching the Table-Top Stand from the TV” (page 15).

## Adjusting the viewing angle (except 60-inch models)

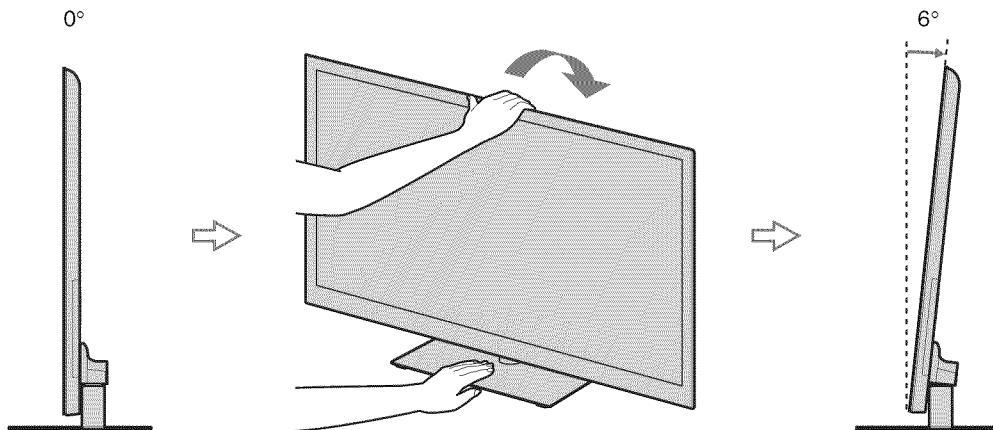
This TV can be adjusted within the angles shown below.

For KDL-52/46NX800 and KDL-46/40NX700



• Reverse the steps when readjusting the angle back to 0 degree.


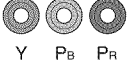



For KDL-55NX811, KDL-55/46NX810, KDL-46/40NX711 and KDL-46/40NX710





# Connecting the TV

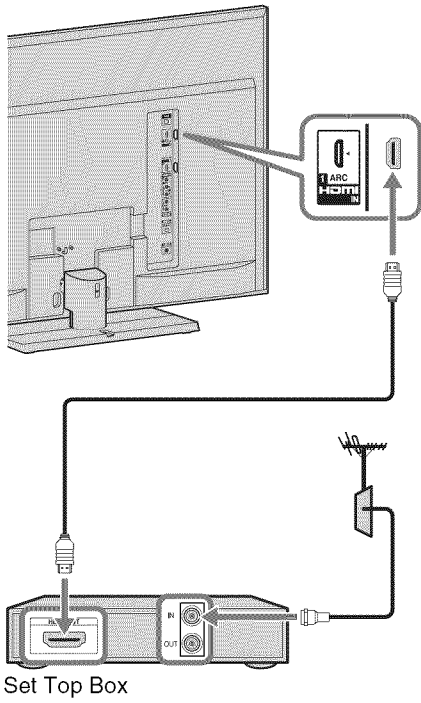
The following chart shows the high-definition (HD) and standard-definition (SD) video formats supported by your BRAVIA TV inputs.

	INPUT	VIDEO	AUDIO	SUPPORTED FORMATS								
				1080/24p	1080p	1080i	720/24p <sup>*1</sup>	720p	480p	480i	PC <sup>*2</sup>	
HD	HDMI		When HDMI is connected to DVI with an adapter, a separate Audio L/R is necessary.	✓	✓	✓	✓	✓	✓	✓	✓	✓
	COMPONENT	 Y Pb Pr	 Audio L/R		✓	✓		✓	✓	✓		
SD	VIDEO	 Composite video connection	 Audio L/R								✓	

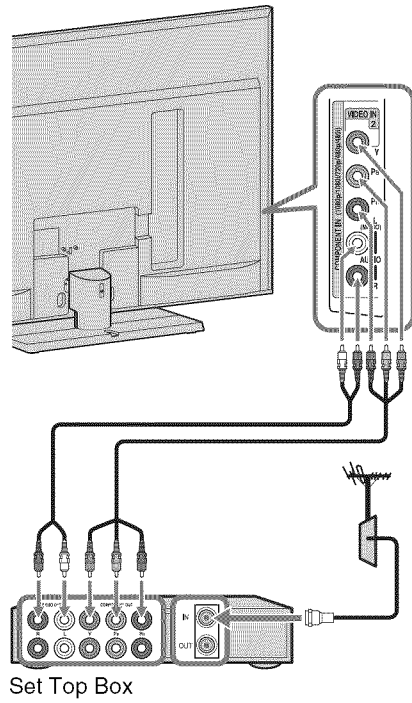
\*<sup>1</sup> 720/24p format is supported by KDL-55NX811, KDL-60/55/46NX810, KDL-46/40NX711 and KDL-46/40NX710.

\*<sup>2</sup> For supported PC formats refer to the i-Manual.

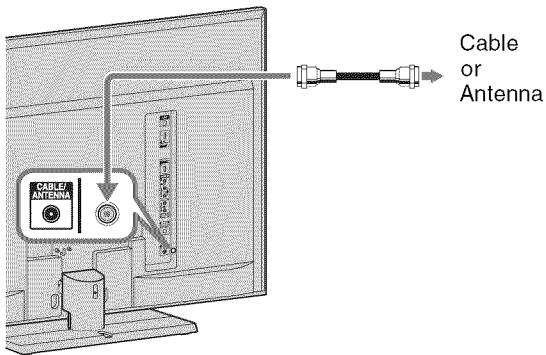
**Shown with a Set Top Box with HDMI connection**



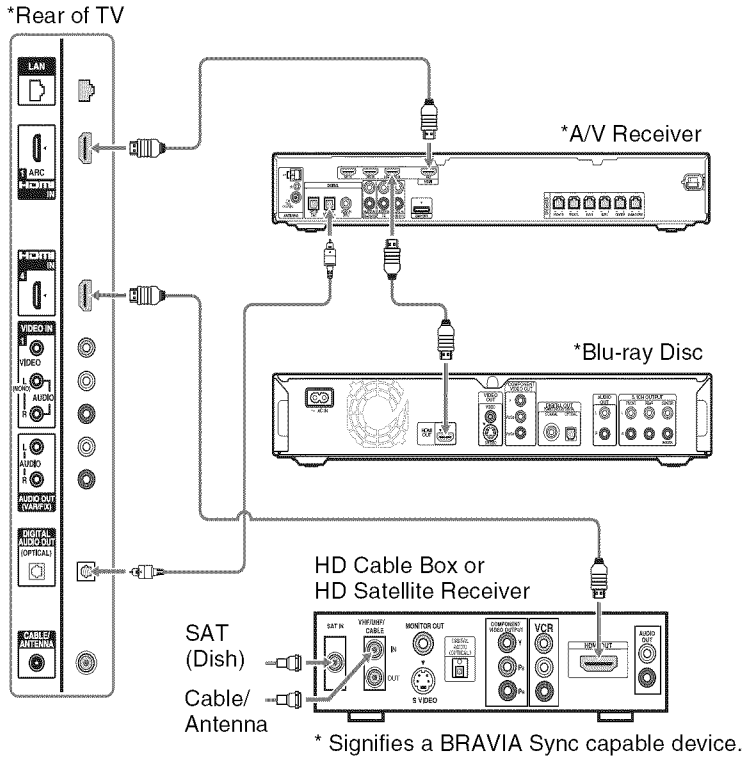
**Shown with a Set Top Box with COMPONENT connection**



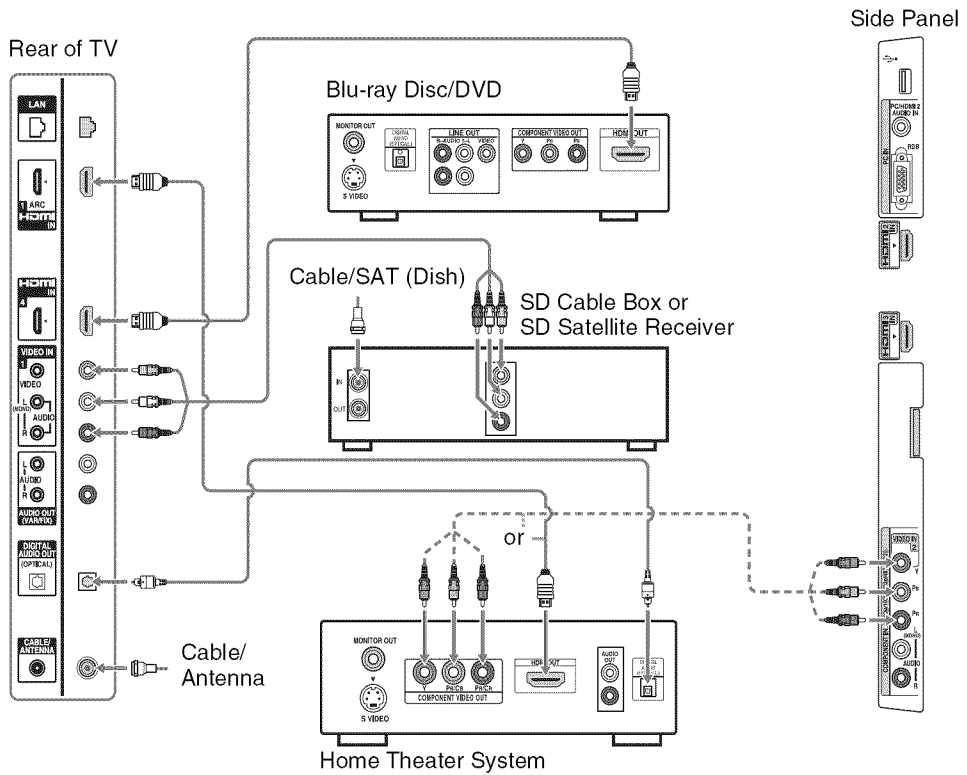
**Cable System or VHF/UHF Antenna System**



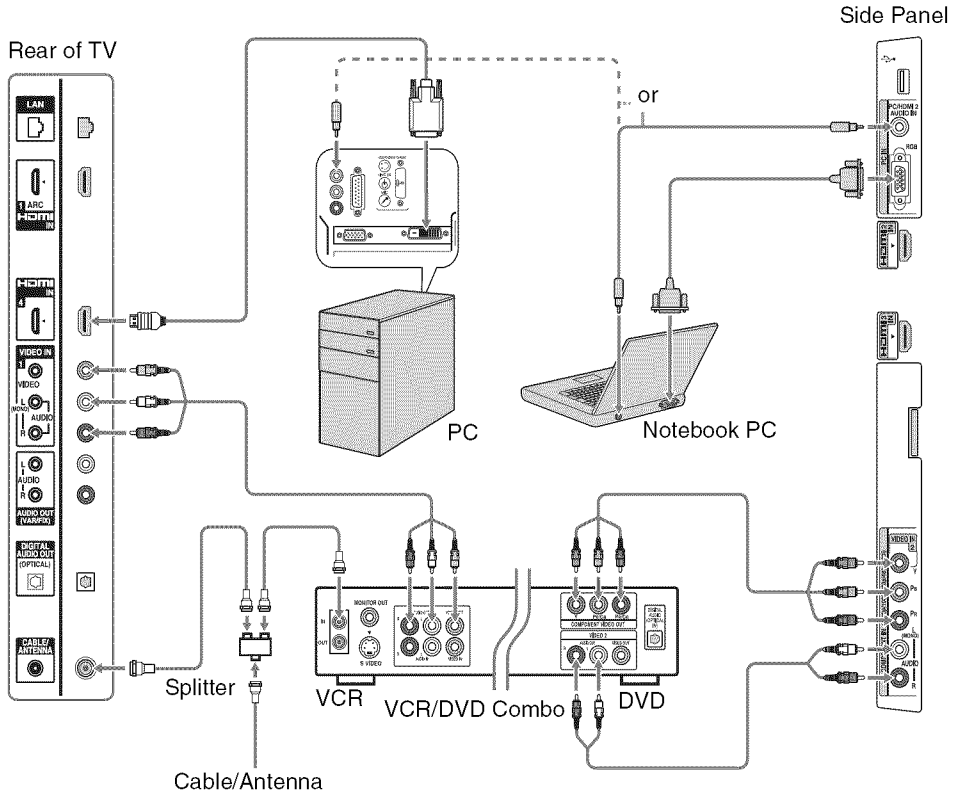
Shown with HD BRAVIA® Sync™ Basic Connection



Shown with HD Basic Connection with Home Theater System



# Shown with PC Connection with SD VCR/DVD



## Securing the TV



Sony strongly recommends taking measures to prevent the TV from toppling over. Unsecured TVs may topple and result in property damage, serious bodily injury or even death.

## Preventing the TV from Toppling

- Secure the TV to a wall and/or stand.
- Do not allow children to play or climb on furniture and TV sets.
- Avoid placing or hanging items on the TV.
- Never install the TV on:
  - slippery, unstable and/or uneven surfaces.
  - furniture that can easily be used as steps, such as a chest of drawers.
- Install the TV where it cannot be pulled, pushed, or knocked over.
- Route all AC power cords and connecting cables so that they are not accessible to curious children.

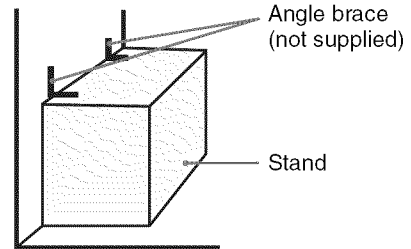
## Recommended Measures to Secure the TV

Consider the following measures when securing your TV to a TV stand (not supplied).

### 1 Secure the Stand for the TV.

Make sure the TV stand can adequately support the weight of the TV. Use two angle braces (not supplied) to secure the stand. For each angle brace use the appropriate hardware to:

- Attach one side of the angle brace to the wall stud.
- Attach the other side to the TV stand.

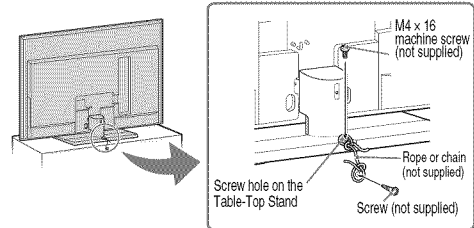


### 2 Secure the TV to the Stand.

Use the optional hardware listed below (not supplied):

- M4 × 16 machine screw (screwed into the TV's Table-Top Stand)
- A screw or similar (attach it to the TV stand)
- Rope or chain (strong enough to support the weight of the TV). Make sure that there is no excess slack in the rope or chain.

An alternative way to secure the TV is with an optional Sony Support Belt Kit.



Contact Sony Customer Support to obtain the optional Support Belt Kit by providing your TV model name.

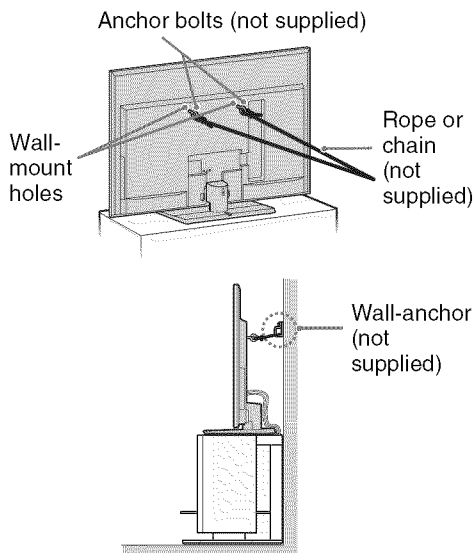
- For United States call: 1-800-488-7669 or visit: [www.sony.com/accessories](http://www.sony.com/accessories)
- For Canada call: 1-877-899-7669

### 3 Anchor the TV to the Wall.

Anchor the TV to the wall by using bolts, wall anchor and chain (or rope).



- KDL-60NX801, KDL-60/52/46NX800 and KDL-46/40NX700 are shipped with screws attached to the rear of the TV. (They are fastened in the screw holes for wall mounting.) Be sure to remove the upper two screws prior to anchoring the TV on a wall.
- Securing the TV to the stand without securing the TV and the stand to the wall provides minimum protection against the TV toppling over. For further protection, be sure to follow the three measures recommended.

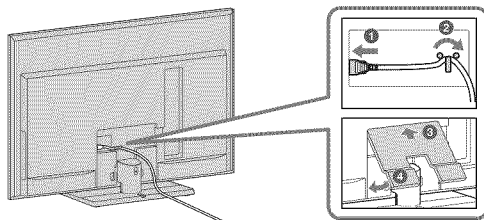


## Organizing the AC power cord



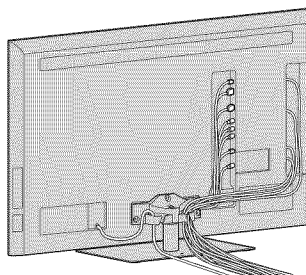
- Do not bundle the AC power cord together with other cables.

### For KDL-60NX801, KDL-60/52/46NX800 and KDL-46/40NX700

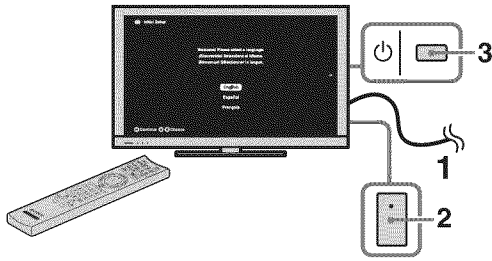


- After the AC power cord is thread as illustrated, place the bottom cover (for NX801/800 series only).

### For KDL-55NX811, KDL-60/55/46NX810, KDL-46/40NX711 and KDL-46/40NX710



## Running initial setup



- 1 Complete your cable connections before proceeding with the **Initial Setup**.  
Connect the TV to your nearest power outlet.
- 2 Check the **ENERGY SAVING SWITCH** setting is on (●).
- 3 Press **POWER** on the TV.  
When you switch the TV on for the first time, the **Language** menu appears on the screen.



- The TV image shown here may differ from your TV but the operation of your TV remains the same as indicated.


- 4 Follow the instructions on the screen.

- The **ENERGY SAVING SWITCH** must be on (●) to set the clock and obtain program information for the TV Guide.
- **Home** mode sets the TV to display the settings optimized for home viewing (this setting is ENERGY STAR compliant).

- 5 Select **Continue** to scan for available channels and enable the **TV Guide On Screen<sup>®</sup>** feature. If you receive channels from a cable box or satellite receiver and do not wish to use the TV's built-in tuner, select **Skip**.  
Selecting **Skip** will disable the **TV Guide On Screen** feature, which is only available when the TV's tuner is used.

- If you skip the channel scan while in the setup menus, TV Guide will be disabled.

## Detaching the Table-Top Stand from the TV

Remove only the screws marked with  on the TV.

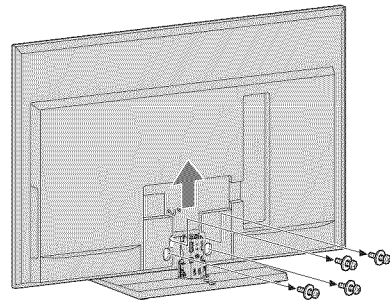


- Do not remove the Table-Top Stand for any reason other than to install corresponding accessories on the TV.

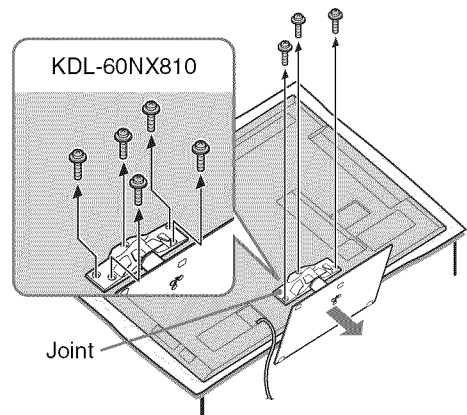
### For KDL-60NX801, KDL-60/52/46NX800 and KDL-46/40NX700



- The NX801/NX800/NX700 series models must remove the stand rear cover prior to detaching the Table-Top Stand.
- When installing the TV on a wall, remove the four screws from the rear of the TV. (They are fastened in the screw holes for wall mounting.) Be sure to store the removed screws in a safe place, keeping them away from children (except KDL-46/40NX700).
- When attaching the Table-Top Stand again, be sure to fasten the four screws (previously removed) to the original holes on the rear of the TV (except KDL-46/40NX700).



### For KDL-55NX811, KDL-60/55/46NX810, KDL-46/40NX711 and KDL-46/40NX710



## Using a Wall-Mount Bracket

Your TV can be mounted on a wall using a Wall-Mount Bracket (not supplied) out of the box as packaged. Some larger size TV may require detaching the Table-Top Stand; see “Detaching the Table-Top Stand from the TV” (page 15).

Prepare the TV for the Wall-Mount Bracket before making cable connections.

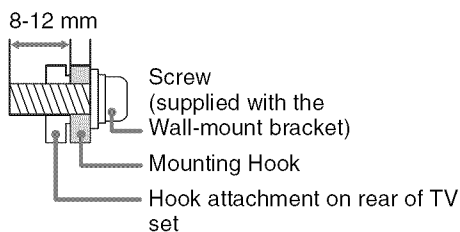
**For product protection and safety reasons, Sony strongly recommends that you use the Wall-Mount Bracket designed for your TV and the installation should be performed by a Sony dealer or licensed contractor.**

- Follow the instruction guide provided with the Wall-Mount Bracket for your model. Sufficient expertise is required in installing this TV, especially to determine the strength of the wall for withstanding the TV’s weight.

- Be sure to use the screws supplied with the Wall-mount bracket when attaching the mounting hooks to the TV set.

The supplied screws are designed so that they are 8 mm to 12 mm in length when measured from the attaching surface of the mounting hook.

The diameter and length of the screws differ depending on the Wall-mount bracket model. Use of screws other than those supplied may result in internal damage to the TV set or cause it to fall, etc.



- Be sure to store the unused screws and Table-Top Stand in a safe place until you are ready to attach the Table-Top Stand. Keep the screws away from small children.

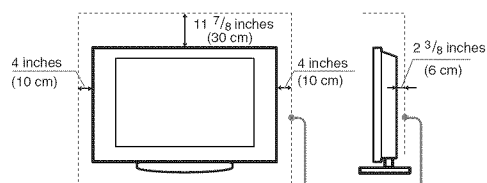


- Read the supplied Safety Booklet for additional safety information.

## Installing the TV Against a Wall or Enclosed Area

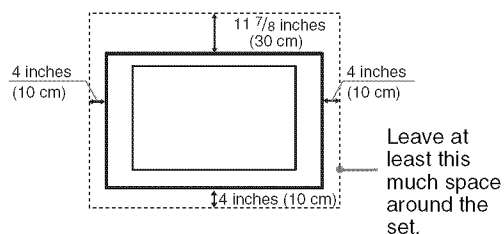
Make sure that your TV has adequate ventilation. Allow enough space around the TV as shown below. Avoid operating the TV at temperatures below 41 °F (5 °C).

### Installed with stand



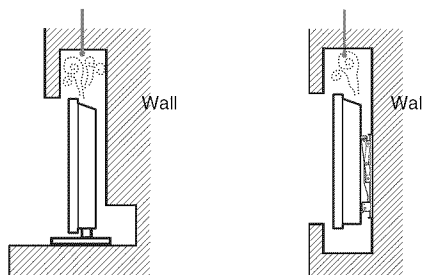
Leave at least this much space around the set.

### Installed on the wall



Never install the TV set as follows:

Air circulation is blocked. Air circulation is blocked.

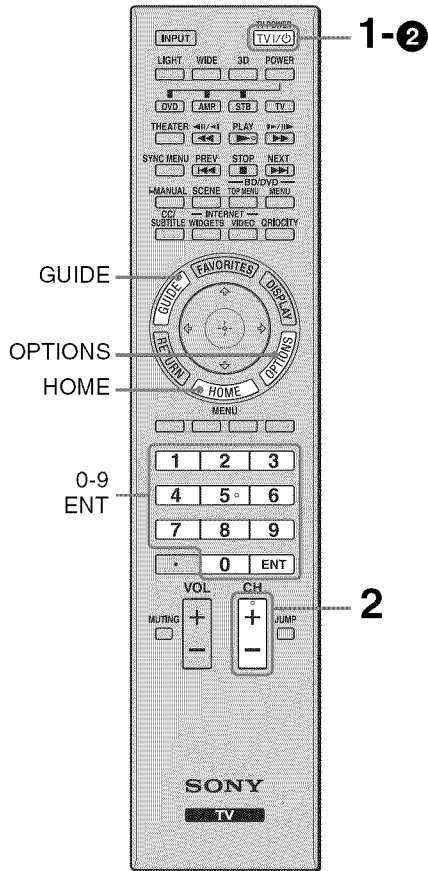


- Inadequate ventilation can lead to overheating of the TV and may cause damage to your TV or cause a fire.

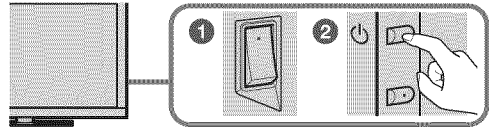


# To watch TV

## To watch programs



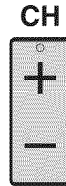
### 1 Turn on the TV.



- 1 Check the **ENERGY SAVING SWITCH** setting is on (●).
- 2 Press **POWER** on the TV or **TV I/⏻** on the remote control to turn on the TV. (You may use the **TV I/⏻** button located on the back of the remote control.)

The TV image shown here may differ from your TV but the operation of your TV remains the same as indicated.

### 2 Select a TV channel.



#### To use the Guide

Press **GUIDE** to display the **TV Guide On Screen** to view scheduled programs or to select a program to watch. Press again to exit the Guide. Use with **0-9** and **ENT** to select digital channels. For example, to enter 2.1, press **2**, **.**, **1**, and **ENT**.

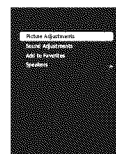


## To use the TV features

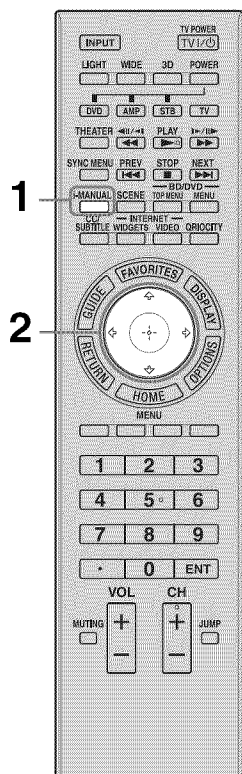
Press **HOME** to display **TV Home Menu/XMB™** to access TV **Settings** and other media and network related content.



Press **OPTIONS** to display a list of convenient functions and menu shortcuts. The Options menu items vary based on current input and/or content.



# To use i-Manual

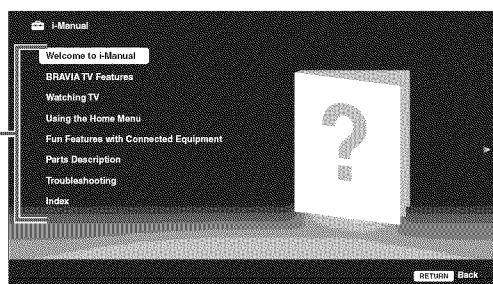
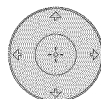


Your **BRAVIA** TV comes with an on-screen manual. You can browse your i-Manual anytime you need to find the varieties of convenient functions.

## 1 Press i-MANUAL.



## 2 Press $\uparrow/\downarrow/\leftarrow/\rightarrow/\oplus$ to navigate and select items.



### ■ Welcome to i-Manual

### ■ BRAVIA TV Features

### ■ Watching TV

Introduces convenient features such as TV Guide, Favorites, etc.

### ■ Using the Home Menu

You can find how to customize your TV settings, etc.

### ■ Fun Features with Connected Equipment

Introduces how to connect and enjoy optional equipment.

### ■ Parts Description

### ■ Troubleshooting

You can find solutions for your problems.

### ■ Index




- Images and illustrations may differ from what you are watching on this TV.

## Troubleshooting

The TV will indicate any problems with the **STANDBY** indicator flashing in red.


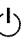
### When the **STANDBY** indicator is flashing

The self-diagnosis function is activated.

- 1 Count how many times the **STANDBY** indicator flashes between each three second break.  
For example, the indicator may flash three times, go off for three seconds, then flash again three times.
- 2 Press  (POWER) on the TV to turn it off, disconnect the AC power cord, and inform your dealer or Sony service center of how the indicator flashes (number of flashes).

### When the **STANDBY** indicator is not flashing

- 1 Check the items in the tables below. (Also refer to “Troubleshooting” in the i-Manual.)
- 2 If the problem persists, contact Sony Customer Support (information provided on the front cover).

Condition	Explanation/Solution
<b>Picture</b>	
There is no picture (screen is dark) and no sound.	<ul style="list-style-type: none"> <li>• Check the antenna/cable connection.</li> <li>• Connect the TV to the AC power, and press  (POWER) on the TV.</li> <li>• If the <b>STANDBY</b> indicator lights up in red, press <b>TV I/</b> on the remote control.</li> </ul>
Tiny black dots and/or bright dots appear on the screen.	<ul style="list-style-type: none"> <li>• The screen is composed of pixels. Tiny black dots and/or bright dots (pixels) on the screen do not indicate a malfunction.</li> </ul>
<b>General</b>	
The TV's power cannot be turned on.	<ul style="list-style-type: none"> <li>• Check to see the (●) mark on the <b>ENERGY SAVING SWITCH</b> is pressed.</li> </ul>
The TV turns off automatically (the TV enters standby mode).	<ul style="list-style-type: none"> <li>• Check if the <b>Sleep Timer</b>, <b>Timer</b>, or <b>Idle TV Standby</b> is activated.</li> <li>• The <b>Auto Shut-off</b> function may be set to <b>On</b>. If <b>Auto Shut-off</b> is activated and TV receives no signal, the TV will automatically enter standby mode in 15 minutes. Check <b>Auto Shut-off</b> is activated under <b>Eco</b> feature of this TV.</li> </ul>
The remote does not function.	<ul style="list-style-type: none"> <li>• Replace the batteries.</li> <li>• Your TV may be in <b>SYNC</b> mode. Press <b>SYNC MENU</b>, select <b>TV Control</b> and then select <b>Home (Menu)</b> or <b>Options</b> to control the TV.</li> </ul>
The TV and its surrounding become warm.	<ul style="list-style-type: none"> <li>• When the TV is used for an extended period of time, the TV and its surround may become warm to touch. This is not malfunction of the TV.</li> </ul>
The <b>Parental Lock</b> password has been forgotten.	<ul style="list-style-type: none"> <li>• Enter 4357 for the PIN code. (PIN code 4357 is always accepted.)</li> </ul>

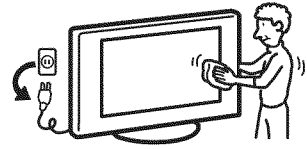
---

## How to Care for Your BRAVIA

Safety is very important, please read and follow the safety documentation (Safety Booklet) separately provided.

Unplug the TV and other connected equipment from the wall outlet before you begin cleaning your TV.

- Wipe the LCD screen gently with a soft cloth.
- Stubborn stains may be removed with a cloth slightly moistened with a solution of mild soap and warm water.
- If using a chemically pretreated cloth, please follow the instruction provided on the package.
- Never use strong solvents such as a thinner, alcohol or benzine for cleaning.
- Do not plug in the TV into the wall outlet until the moisture from cleaning has evaporated.



The TV should also be placed on a stable surface to prevent it from toppling over (see page 13). If you have young children or pets at home, check regularly to insure the TV is securely fastened.

# Specifications

Model name KDL-	60NX801/ 60NX800	52NX800	46NX800	46NX700	40NX700
<b>System</b>					
Television system	NTSC: American TV standard ATSC (8VSB terrestrial): ATSC compliant 8VSB QAM on cable: ANSI/SCTE 07 2000 (Does not include CableCARD functionality)				
Channel coverage	Analog terrestrial: 2 - 69 / Digital terrestrial: 2 - 69 Analog Cable: 1 - 135 / Digital Cable: 1 - 135				
Panel system	LCD (Liquid Crystal Display) Panel				
Speaker output	10 W + 10 W				
<b>Input/Output jacks</b>					
CABLE/ANTENNA	75-ohm external terminal for RF inputs				
VIDEO IN 1/2	VIDEO / AUDIO				
COMPONENT IN	YPBPR (Component Video) / Signal format: 480i, 480p, 720p, 1080i, 1080p AUDIO				
HDMI IN 1/2/3/4	HDMI: Video: 480i, 480p, 720p, 1080i, 1080p, 1080/24p Audio: Two channel linear PCM 32, 44.1 and 48 kHz, 16, 20 and 24 bits, Dolby Digital AUDIO (HDMI IN 2)				
AUDIO OUT	500 mVrms (typical)				
DIGITAL AUDIO OUT (OPTICAL)	PCM/Dolby Digital optical signal				
PC IN	D-sub 15-pin, analog RGB				
PC/HDMI 2 AUDIO IN	Stereo mini jack				
LAN	10BASE-T/100BASE-TX connector (Connection speed may differ depending on the network environment. 10BASE-T/100BASE-TX communication rate and communication quality are not guaranteed for this TV.) <sup>*1</sup>				
USB/DLNA	Refer to the i-Manual for supported format.				
<b>Power and others</b>					
Power requirement	110-240 V AC, 50/60 Hz (U.S.A./Canada 120 V AC, 60 Hz)				
Power consumption	222 W	169 W	153 W	129 W	109 W
in use					
in DAM <sup>*2</sup>	18 W (You may hear a clicking noise during the download but this is normal.)				
in standby	Less than 0.17 W with 120 V AC and less than 0.23 W with 240 V AC				Less than 0.13 W with 120 V AC and less than 0.2 W with 240 V AC
Screen size (inches measured diagonally)	60 inches	52 inches	46 inches	40 inches	
Display resolution	1,920 dots (horizontal) × 1,080 lines (vertical)				
Speaker Full range	34 × 100 (2) 1 <sup>3</sup> / <sub>8</sub> × 4		34 × 160 (2) 1 <sup>3</sup> / <sub>8</sub> × 6 <sup>3</sup> / <sub>8</sub>		
Dimensions with stand	(mm) 1,440 × 927 × 380	(mm) 1,261 × 819 × 400	(mm) 1,127 × 742 × 320	(mm) 1,127 × 748 × 320	(mm) 994 × 673 × 290
	(inches) 56 <sup>3</sup> / <sub>4</sub> × 36 <sup>3</sup> / <sub>8</sub> × 15	(inches) 49 <sup>3</sup> / <sub>4</sub> × 32 <sup>1</sup> / <sub>4</sub> × 15 <sup>3</sup> / <sub>4</sub>	(inches) 44 <sup>3</sup> / <sub>8</sub> × 29 <sup>1</sup> / <sub>4</sub> × 12 <sup>5</sup> / <sub>8</sub>	(inches) 44 <sup>3</sup> / <sub>8</sub> × 29 <sup>1</sup> / <sub>2</sub> × 12 <sup>5</sup> / <sub>8</sub>	(inches) 39 <sup>1</sup> / <sub>4</sub> × 26 <sup>1</sup> / <sub>2</sub> × 11 <sup>1</sup> / <sub>2</sub>
without stand	(mm) 1,440 × 889 × 64	(mm) 1,261 × 787 × 64	(mm) 1,127 × 710 × 64	(mm) 1,127 × 716 × 64	(mm) 994 × 641 × 64
	(inches) 56 <sup>3</sup> / <sub>4</sub> × 35 × 2 <sup>5</sup> / <sub>8</sub>	(inches) 49 <sup>3</sup> / <sub>4</sub> × 31 × 2 <sup>5</sup> / <sub>8</sub>	(inches) 44 <sup>3</sup> / <sub>8</sub> × 28 × 2 <sup>5</sup> / <sub>8</sub>	(inches) 44 <sup>3</sup> / <sub>8</sub> × 28 <sup>1</sup> / <sub>4</sub> × 2 <sup>5</sup> / <sub>8</sub>	(inches) 39 <sup>1</sup> / <sub>4</sub> × 25 <sup>1</sup> / <sub>4</sub> × 2 <sup>5</sup> / <sub>8</sub>
wall-mount hole pattern	400 × 300		300 × 300		
wall-mount screw size	M6 (length: refer to diagram on page 16.)				
Mass with stand	(kg)/(lb.) 50.6/111.5	(kg)/(lb.) 36.1/79.6	(kg)/(lb.) 28.8/63.5	(kg)/(lb.) 27.8/61.3	(kg)/(lb.) 22.6/49.8
without stand	(kg)/(lb.) 43.3/95.4	(kg)/(lb.) 30.1/66.3	(kg)/(lb.) 24.8/54.7	(kg)/(lb.) 24.0/52.9	(kg)/(lb.) 19.2/42.3
Supplied accessories	See "Checking the accessories" (page 4).				
Optional accessories	Connecting cables / Support Belt Kit / Wall-Mount Bracket / Wall-Hanging Bracket				

Model name KDL-	60NX810	55NX811/ 55NX810	46NX810	46NX711/ 46NX710	40NX711/ 40NX710	
<b>System</b>						
Television system	NTSC: American TV standard ATSC (8VSB terrestrial): ATSC compliant 8VSB QAM on cable: ANSI/SCTE 07 2000 (Does not include CableCARD functionality)					
Channel coverage	Analog terrestrial: 2 - 69 / Digital terrestrial: 2 - 69 Analog Cable: 1 - 135 / Digital Cable: 1 - 135					
Panel system	LCD (Liquid Crystal Display) Panel					
Speaker output	8 W + 8 W + 10 W					
<b>Input/Output jacks</b>						
CABLE/ANTENNA	75-ohm external terminal for RF inputs					
VIDEO IN 1/2	VIDEO / AUDIO					
COMPONENT IN	YPBPR (Component Video) / Signal format: 480i, 480p, 720p, 1080i, 1080p AUDIO					
HDMI IN 1/2/3/4	HDMI: Video: 480i, 480p, 720p, 720/24p, 1080i, 1080p, 1080/24p Audio: Two channel linear PCM 32, 44.1 and 48 kHz, 16, 20 and 24 bits, Dolby Digital AUDIO (HDMI IN 2)					
AUDIO OUT	500 mVrms (typical)					
DIGITAL AUDIO OUT (OPTICAL)	PCM/Dolby Digital optical signal					
PC IN	D-sub 15-pin, analog RGB					
PC/HDMI 2 AUDIO IN	Stereo mini jack					
LAN	10BASE-T/100BASE-TX connector (Connection speed may differ depending on the network environment. 10BASE-T/100BASE-TX communication rate and communication quality are not guaranteed for this TV.)*1					
USB/DLNA	Refer to the i-Manual for supported format.					
3D SYNC	3D Sync terminal for optional transmitter					
<b>Power and others</b>						
Power requirement	110-240 V AC, 50/60 Hz (U.S.A./Canada 120 V AC, 60 Hz)					
Power consumption						
in use	215 W	175 W	156 W	153 W	137 W	
in DAM*2	18 W	22 W				
	(You may hear a clicking noise during the download but this is normal.)					
in standby	Less than 0.12 W with 120 V AC and less than 0.2 W with 240 V AC					
Screen size (inches measured diagonally)	60 inches	54.6 inches (55 class)	46 inches		40 inches	
Display resolution	1,920 dots (horizontal) × 1,080 lines (vertical)					
Speaker						
Full range	(mm)	20 × 70 (4)			20 × 90 (2)	
	(inches)	<sup>13</sup> / <sub>16</sub> × 2 <sup>7</sup> / <sub>8</sub> (4)			<sup>13</sup> / <sub>16</sub> × 3 <sup>5</sup> / <sub>8</sub> (2)	
Woofer	(mm)	Φ 60 (1)			40 × 90 (1)	
	(inches)	Φ 2 <sup>3</sup> / <sub>8</sub> (1)			1 <sup>5</sup> / <sub>8</sub> × 3 <sup>5</sup> / <sub>8</sub> (1)	
Dimensions						
with stand	(mm)	1,400 × 865 × 303	1,276 × 800 × 323	1,083 × 690 × 270	1,083 × 690 × 270	944 × 612 × 245
	(inches)	55 <sup>1</sup> / <sub>8</sub> × 34 <sup>1</sup> / <sub>8</sub> × 12	50 <sup>1</sup> / <sub>4</sub> × 31 <sup>1</sup> / <sub>2</sub> × 12 <sup>3</sup> / <sub>4</sub>	42 <sup>3</sup> / <sub>4</sub> × 27 <sup>1</sup> / <sub>4</sub> × 10 <sup>3</sup> / <sub>4</sub>	42 <sup>3</sup> / <sub>4</sub> × 27 <sup>1</sup> / <sub>4</sub> × 10 <sup>3</sup> / <sub>4</sub>	37 <sup>1</sup> / <sub>4</sub> × 24 × 9 <sup>3</sup> / <sub>4</sub>
without stand	(mm)	1,400 × 836 × 45	1,276 × 770 × 32	1,083 × 660 × 31	1,083 × 660 × 31	944 × 582 × 32
	(inches)	55 <sup>1</sup> / <sub>8</sub> × 33 × 1 <sup>7</sup> / <sub>8</sub>	50 <sup>1</sup> / <sub>4</sub> × 30 <sup>3</sup> / <sub>8</sub> × 1 <sup>3</sup> / <sub>8</sub>	42 <sup>3</sup> / <sub>4</sub> × 26 × 1 <sup>1</sup> / <sub>4</sub>	42 <sup>3</sup> / <sub>4</sub> × 26 × 1 <sup>1</sup> / <sub>4</sub>	37 <sup>1</sup> / <sub>4</sub> × 23 × 1 <sup>1</sup> / <sub>4</sub>
wall-mount hole pattern	(mm)	400 × 300				
wall-mount screw size	(mm)	M6 (length: refer to diagram on page 16.)				
Mass						
with stand	(kg)/(lb.)	43.0/ 94.8	32.2/71	24.8/54.7	24.4/53.8	19.8/43.7
without stand	(kg)/(lb.)	36.6/ 80.7	26.9/59.3	20.5/45.2	20.5/45.2	16.1/35.5
Supplied accessories	See "Checking the accessories" (page 4).					
Optional accessories	Connecting cables / Support Belt Kit / Wall-Mount Bracket / Wall-Hanging Bracket / 3D Glasses / 3D Sync Transmitter					

\*1 For LAN connections, use a Category 7 10BASE-T/100BASE-TX cable (not supplied).

\*2 Download Acquisition Mode (DAM) is used for software updates and/or collecting data for TV Guide On Screen.

- Optional accessories availability depends on its stock.
- Design and specifications are subject to change without notice.

## Declaration of Conformity

Trade Name: SONY  
 Model: KDL-60NX810/KDL-60NX801/KDL-60NX800/  
 KDL-55NX811/KDL-55NX810/KDL-52NX800/  
 KDL-46NX810/KDL-46NX800/KDL-46NX711/  
 KDL-46NX710/KDL-46NX700/KDL-40NX711/  
 KDL-40NX710/KDL-40NX700  
 Responsible Party: Sony Electronics Inc.  
 Address: 16530 Via Esprillo,  
 San Diego, CA 92127 U.S.A.  
 Telephone Number: 858-942-2230

This device complies with part 15 of the FCC rules. Operation is subject to the following two conditions:  
 (1) This device may not cause harmful interference, and  
 (2) this device must accept any interference received, including interference that may cause undesired operation.

## For customers in Canada

This Class B digital apparatus complies with Canadian ICES-003.

## FCC Related Information

This equipment has been tested and found to comply with the limits for a Class B digital device, pursuant to Part 15 of the FCC Rules. These limits are designed to provide reasonable protection against harmful interference in a residential installation. This equipment generates, uses and can radiate radio frequency energy and, if not installed and used in accordance with the instructions, may cause harmful interference to radio communications. However, there is no guarantee that interference will not occur in a particular installation. If this equipment does cause harmful interference to radio or television reception, which can be determined by turning the equipment off and on, the user is encouraged to try to correct the interference by one or more of the following measures:

- Reorient or relocate the receiving antenna.
- Increase the separation between the equipment and receiver.
- Connect the equipment into an outlet on a circuit different from that to which the receiver is connected.
- Consult the dealer or an experienced radio/TV technician for help.

Pursuant to FCC regulations, you are cautioned that any changes or modifications not expressly approved in this manual could void your authority to operate this equipment.

## Safety and Regulatory

To prevent radio interference to the licensed service, this device is intended to be operated indoors and away from windows to provide maximum shielding. Equipment (or its transmit antenna) that is installed outdoors is subject to licensing.

Only use Wireless LAN indoors when using it with IEEE 802.11a/n (5 GHz).

High power radars are allocated as primary users (meaning they have priority) of 5250-5350 MHz and 5650-5850 MHz and these radars could cause interference and/or damage to this device.

This device uses 5 GHz band for wireless LAN communication and the maximum gain of the antenna in this device is 6 dBi.

This equipment complies with FCC/IC radiation exposure limits set forth for an uncontrolled environment. This equipment should be installed and operated with minimum distance 20 cm between the radiator and your body (excluding extremities: hands, wrists and feet). This device and its antenna(s) must not be co-located or operating with any other antenna or transmitter except Grant condition.

## Note

This television includes a QAM demodulator which should allow you to receive unscrambled digital cable television programming via subscription service to a cable service provider. Availability of digital cable television programming in your area depends on the type of programming and signal provided by your cable service provider.

## Compatible optional accessories information

Use the following Sony optional accessories with your TV model.

	Sony Model No.			
KDL-	60NX801/ 60NX800	52NX800	46NX800/ 46NX700	40NX700
Sony Wall-Mount Bracket Model No.*1	SU-WL500	SU-WL700		
Sony Wall-Hanging Bracket Model No.*1	SU-WH500			
Sony TV Stand No.*2		SU-52NX1	SU-46NX1	SU-40NX1

	Sony Model No.			
KDL-	60NX810	55NX811/ 55NX810	46NX810/ 46NX711/ 46NX710	40NX711/ 40NX710
Sony Wall-Mount Bracket Model No.*1	SU-WL500	SU-WL700/WL500		
Sony Wall-Hanging Bracket Model No.*1	SU-WH500			
Sony TV Stand No.*2		SU-B550S	SU-B460S	SU-B400S

Use with other optional accessories may cause instability and could result in property damages or injury.

\*1 For instructions on using with your TV please go to <http://esupport.sony.com> for your TV model and download "Additional Information for Using Sony Wall-Mount Bracket" or "Additional Information for Using Sony Wall-Hanging Bracket".

\*2 Some of these TV stand models may not be available in your area.

## To Customers

Sufficient expertise is required for TV installations. Be sure to subcontract the installation to a Sony dealer or licensed contractor and pay adequate attention to safety during the installation.

## For Your Convenience

<b>Online Registration:</b>	Be sure to register your TV. <b>United States</b> <a href="http://productregistration.sony.com">http://productregistration.sony.com</a> <b>Canada</b> <a href="http://www.SonyStyle.ca/registration">http://www.SonyStyle.ca/registration</a>
<b>Software Updates:</b>	Your TV is capable of receiving software updates. For the latest information about software updates for your TV, visit: <b>United States</b> <a href="http://www.sony.com/tvsupport">http://www.sony.com/tvsupport</a> <b>Canada</b> <a href="http://www.sony.ca/support">http://www.sony.ca/support</a>  NOTE: If your TV is connected to the Internet, you can check for software updates by selecting <b>Settings, Product Support</b> and then <b>Automatic Software Update</b> .

