

Use and Care Manual  
Manual de uso y cuidado

3-39  
40-80

## Microwave oven

Model:  
HMV 5051 U





# Table of Contents

<b>Safety</b> .....	<b>5</b>
<b>Important Safety Instructions</b> .....	<b>5</b>
Microwave utensil guide .....	12
<b>Getting started</b> .....	<b>13</b>
<b>Microwave overview</b> .....	<b>13</b>
Oven specifications .....	13
Accessories .....	14
<b>Control Panel</b> .....	<b>14</b>
<b>Operation</b> .....	<b>15</b>
<b>Manual operation</b> .....	<b>15</b>
Using the metal rack .....	15
Setting the clock .....	15
Setting the timer .....	16
Vent Fan Hi / Low / Off .....	16
Surface Light / On / Off .....	16
Turntable On / Off .....	16
Control Lock .....	16
Using EasySet .....	17
Heating with multiple cooking stages .....	17
Heating with high power level .....	17
Heating with lower power levels .....	18
Using the Pause key .....	18
Adding cook time (Cook Time +30 Sec.) .....	18
Setting Defrost (by Weight) .....	18
Setting Defrost (by Time) .....	19
Special notes for defrosting by time .....	19
Defrosting tips .....	19
Defrosting suggestions for meat .....	20
Suggested power levels for cooking .....	20
Suggestions for getting the best results .....	20
<b>Sensor Cooking</b> .....	<b>22</b>
Frozen Entrees .....	22
Potatoes .....	23
Sensor Reheat .....	23
Reheat cooking suggestions .....	23
Frozen Pizza .....	24
Rice .....	24
Frozen Vegetables .....	24
Fresh Vegetables .....	25
Ground meat .....	25

<b>Convenience operation</b> .....	<b>26</b>
Keep Warm .....	26
Memory .....	26
Popcorn .....	26
Beverages .....	27
Convenience cooking suggestions .....	27
Cooking meat in your microwave .....	27
Cooking poultry in your microwave .....	28
Cooking eggs in your microwave .....	28
Cooking vegetables in your microwave .....	29
Cooking seafood in your microwave .....	29
<b>Cleaning and Maintenance</b> .....	<b>30</b>
<b>Cleaning</b> .....	<b>30</b>
Cleaning suggestions .....	30
Cleaning the exhaust filters .....	31
Cleaning the metal rack .....	31
<b>Maintenance</b> .....	<b>32</b>
Surface light replacement .....	32
Oven light replacement .....	33
Charcoal filter replacement .....	35
<b>Service</b> .....	<b>36</b>
Troubleshooting .....	36
Customer service .....	37
<b>STATEMENT OF LIMITED PRODUCT WARRANTY</b> .....	<b>37</b>

---

# Safety



## Important Safety Instructions

READ AND SAVE THESE INSTRUCTIONS



**WARNING:** If the information in this manual is not followed exactly, fire or shock may result causing property damage or personal injury.

**When using electrical appliances basic safety precautions should be followed, including the following:**



**WARNING:** To reduce the risk of burns, electric shock, fire, injury to persons, or exposure to excessive microwave energy:

Read all instructions before using the appliance.

Read and follow the specific **PRECAUTIONS TO AVOID POSSIBLE EXPOSURE TO EXCESSIVE MICROWAVE ENERGY**

This appliance must be grounded. Connect only to properly grounded outlet (See **GROUNDING INSTRUCTIONS**).

Install or locate this appliance only in accordance with the provided installation instructions.

Some products such as whole eggs with or without shell, narrow neck bottles and sealed containers – for example, closed glass jars – may explode and should not be heated in this oven.

Use this appliance only for its intended use as described in this manual. Do not use corrosive chemicals, vapors, or non-food products in this appliance, they will damage the appliance and may result in radiation leaks. This type of oven is specifically designed to heat, or cook food. It is not designed for industrial or laboratory use.

As with any appliance, close supervision is necessary when used by children. (See **CHILD SAFETY**)

Do not operate this appliance if it has a damaged cord or plug, if it is not working properly, or if it has been damaged or dropped.

This appliance should be serviced only by qualified service personnel. Contact nearest authorized service facility for examination, repair, or adjustment.

Do not cover or block any vents or openings on the appliance.

Do not store this appliance outdoors. Do not use this product near water – for example, near a kitchen sink, in a wet basement, near a swimming pool, or similar locations.

Do not immerse cord or plug in water.

Keep cord away from heated surfaces.

Do not let cord hang over edge of table or counter.



# Important Safety Instructions

READ AND SAVE THESE INSTRUCTIONS

## Either:

- When cleaning surfaces of the door and oven that come together on closing the door, use only mild, non-abrasive soaps or detergents applied with a sponge or soft cloth

## To reduce the risk of fire in the oven cavity:

- Do not overcook food. Carefully attend appliance when paper, plastic, or other combustible materials are placed inside the oven to facilitate cooking
- Remove wire twist-ties from paper or plastic bags before placing bag in oven
- If materials inside the oven ignite, keep oven door closed, turn oven off, and disconnect the power cord, or shut off power at the fuse or circuit breaker panel

## PRECAUTIONS TO AVOID POSSIBLE EXPOSURE TO EXCESSIVE MICROWAVE ENERGY

Do not attempt to operate this oven with the door open since open-door operation can result in harmful exposure to microwave energy. It is important not to defeat or tamper with the safety interlocks.

Do not place any object between the oven front face and the door or allow soil or cleaner residue to accumulate on sealing surfaces.

Do not operate the oven if it is damaged. It is particularly important that the oven door close properly and that there is no damage to the:

- door (bent)
- hinges and latches (broken or loosened)
- door seals and sealing surfaces
- The oven should not be adjusted or repaired by anyone except properly qualified service personnel. Improper installation, service or maintenance can cause injury or property damage. Refer to this manual for guidance. Refer all servicing to a factory authorized service center.

## Grounding Instructions

This appliance must be grounded. Grounding reduces risk of electric shock by providing an escape wire for the electric current if an electrical short occurs. This oven is equipped with a cord having a grounding wire with a grounding plug. The plug must be plugged into an outlet that is properly installed and grounded.

See **INSTALLATION INSTRUCTIONS**.

Consult a qualified electrician or servicer if grounding instructions are not completely understood, or if doubt exists as to whether the oven is properly grounded.

Do not use an extension cord. If the product power cord is too short, have a qualified electrician install a three-slot receptacle. This oven should be plugged into a separate 60 Hertz circuit with the electrical rating as shown in specifications table. When the oven is on a circuit with other equipment, an increase in cooking times may be required and fuses can be blown.

Microwave operates on standard household current, 110-120 V.



# Important Safety Instructions

READ AND SAVE THESE INSTRUCTIONS

## TV / Radio Interference

This appliance generates and uses ISM frequency energy. If not installed and used properly, in strict accordance with the manufacturer's instructions, it may cause interference to radio and television reception. It has been type tested and found to comply with limits for ISM equipment pursuant to Part 18 of FCC rules, which are designed to provide reasonable protection against such interference in a residential installation. However, there is no guarantee that interference will not occur in a particular installation. Turn the appliance on and off if it causes interference. Try the following to correct the interference:

- Clean door and sealing surface of the oven
- Reorient the receiving antenna of the radio or television
- Relocate the microwave oven with respect to the receiver
- Move the microwave oven away from the receiver
- Plug the microwave into a different outlet so that the microwave oven and the receiver are on different branch circuits

The manufacturer is not responsible for any radio or television interference caused by unauthorized modification to this microwave oven. It is the responsibility of the user to correct such interference.

## Intended Use

This appliance is intended for normal family household use only. It is not approved for outdoor, mobile vehicle, marine, or commercial use. See the warranty. If you have any questions, contact the manufacturer.

Do not use the cavity for storage purposes. Do not leave paper products, cooking utensils, or food in the cavity when not in use.

Do not operate oven when room humidity is excessive.

This oven is suitable for use above both gas and electric cooking equipment 36" (914 mm) or less wide.

## Child Safety

Do not allow children to use this appliance unless closely supervised by an adult. Children and pets should not be left alone or unattended in the area where the appliance is in use. They should never be allowed to play in its vicinity, whether or not the appliance is in use.

When children become old enough to use the appliance, it is the legal responsibility of the parents or legal guardians to ensure that they are instructed in safe practices by qualified persons

Do not allow anyone to climb, stand, lean, sit or hang on any part of an appliance. This can damage the appliance, potentially causing severe injury.

## Cleaning Safety

Clean exhaust filters frequently – Do not allow grease to accumulate on the hood or filters. Fire could result.

Use care when cleaning the exhaust filters. Corrosive cleaning agents, such as lye-based oven cleaners may damage the filter (Refer to the **CLEANING** section in this manual).

Clean turntable roller rest and oven floor frequently to prevent excessive noise.



# Important Safety Instructions

READ AND SAVE THESE INSTRUCTIONS

## Cooking Safety



**CAUTION:** To avoid personal injury or property damage, observe the following:

Do not leave oven unattended while in use.

Do not store flammable materials next to or in the oven.

When flaming foods under the microwave, always turn the fan on.

Do not operate the oven while empty. This could damage the oven and result in a risk of fire.

Do not store or use corrosive chemicals, vapors, flammables or nonfood products in or near this appliance. It is specifically designed for use when heating or cooking food. The use of corrosive chemicals in heating or cleaning will damage the appliance and could result in injury.

Do not dry clothes, newspapers or other materials in the oven. Do not use newspapers or paper bags for cooking. Fire could result.

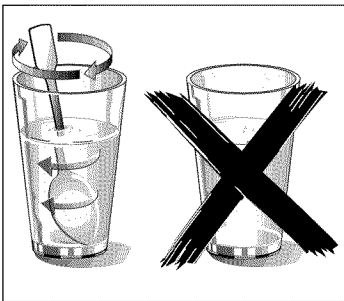
Do not use recycled paper products unless labeled safe for microwave use. They may contain impurities which may cause sparks and result in fires when used.

## In Case of Fire

If materials inside the oven should ignite:

1. Keep door closed
2. Turn appliance off
3. Unplug the appliance or shut off at fuse or circuit breaker

## Liquids



Liquids, such as water, coffee, or tea could be overheated. They can be heated beyond the boiling point without appearing to boil. For example, visible bubbling or boiling when the container is removed from the microwave oven is not always present. THIS COULD RESULT IN VERY HOT LIQUIDS SUDDENLY BOILING OVER WHEN THE CONTAINER IS DISTURBED OR A UTENSIL IS INSERTED INTO THE LIQUID.

### To reduce the risk of injury to persons:

- Do not overheat the liquid
- Stir the liquid both before and halfway through heating
- Use extreme care when inserting a spoon or other utensil into the container.
- Do not use straight sided containers with narrow necks
- After heating, allow the container to stand in the microwave oven for a short time before removing

## Eggs

Do not cook or reheat whole eggs, with or without shell. Steam buildup in whole eggs may cause them to explode, and possibly damage the oven or cause injury. Reheating sliced hard-boiled eggs and cooking **scrambled** eggs is safe.





# Important Safety Instructions

READ AND SAVE THESE INSTRUCTIONS

## Popcorn

Use only popcorn in packages designed and labeled for microwave use, or pop it in a microwave oven corn popper. Follow popcorn manufacturers' directions and use a brand suitable for the wattage of your oven. Do not continue to heat after popping has stopped. Popcorn will scorch or burn. Do not leave oven unattended.



**CAUTION:** When using pre-packaged microwave popcorn, check package weight before using the popcorn pad. Set the oven for the weight of the popcorn package. If these instructions are not followed, popcorn may not pop adequately or may ignite and cause fire.

## Foods with nonporous skins

Potatoes, tomatoes, apples, whole squash and sausages are examples of foods with nonporous skins. These types of foods must be pierced before cooking to prevent them from exploding.

## Baby formula / Baby food

Do not heat baby bottles or food in microwave oven. The glass jar or the surface of food may appear warm while the interior can burn the infant's mouth and esophagus.

## Deep fat frying

Do not deep fat fry in oven. Oil can be heated beyond ideal temperatures very quickly in a microwave oven. Temperatures can climb high enough for the cooking oils to reach their respective flash points and burst into flames. The heated oil may bubble and spatter causing possible damage to the oven and perhaps result in burns. Additionally, microwave-safe utensils may not be able to withstand the temperature of the hot oil, and could result in the utensil shattering, if it contains a slight imperfection, scratch or chip.

## Home Canning / Drying foods / Small quantities of foods

Do not use microwave oven for home canning or heating of any closed jar. Pressure will build up and the jar may explode. In addition, the oven cannot maintain the food at the proper canning temperature. Improperly canned food may spoil and be dangerous to consume.

Small quantities of food or foods with low moisture content can dry out, burn or catch on fire.

Do not dry meats, herbs, fruits or vegetables in your oven.

Proper cooking depends on time set and weight of food. If you use a smaller portion than recommended and cook at the time for the recommended portion, fire could result.

## Cooking Utensils

See also **Microwave utensil guide**.

Cooking utensils, the glass tray and the metal rack get hot during microwaving. Always use potholders when removing items from the oven. Allow to cool the glass tray and the metal rack (if used) before handling.

Do not use metal utensils, or dishes with metallic trim in the oven.

When using aluminum foil in the oven, allow at least 1" (25,4 mm) of space between foil and interior oven walls or door.



# Important Safety Instructions

READ AND SAVE THESE INSTRUCTIONS

The glass tray and the metal rack (if used) will get hot during cooking. The cooking container and the glass tray can be hot even if the oven is cool.

Never use paper, plastic, or other combustible materials that are not intended for cooking.

When cooking with paper, plastic, or other combustible materials, follow manufacturer's recommendations on product use.

Do not use paper towels which contain nylon or synthetic fibers. Heated synthetics could melt and cause paper to ignite.

Do not heat sealed containers or plastic bags in oven. Food or liquid could expand quickly and cause container or bag to break. Pierce or open container or bag before cooking.

## Browning dishes / Oven Cooking Bags

Microwave browning dishes or grills are designed for microwave cooking only. Preheating times vary depending on the size of the browning dish and food being cooked. Always follow instructions provided by the browning dish or grill manufacturer. Do not preheat browning dishes more than 6 minutes.

If an oven bag is used for microwave cooking, prepare according to package directions. Do not use wire twist-ties to close bags, instead use nylon ties, cotton string or a strip cut from the open end of the bag. Make six ½" (12,7 mm) slits by closure. Place oven cooking bag in a dish slightly larger than the food being cooked.

## Glass Tray / Turntable Ring

Do not operate the oven without the turntable ring and the glass tray in place.

Do not operate the oven without the glass tray in place. Improper cooking or damage to the oven could result. Verify that the glass tray is properly positioned and turning when the oven is in use.

**Note:** The glass tray can turn in either direction.

Only use the glass tray designed for this oven. Do not substitute any other tray.

Allow the glass tray to cool before cleaning or placing in water.

Do not place food directly on the glass tray. Always place food in a microwave safe dish.

Always replace the turntable ring and the glass tray in their proper positions.

The turntable ring must always be used for cooking along with the glass tray.

## Metal Rack



### **CAUTION: To avoid risk of property damage:**

- Do not use the rack to pop popcorn.
- The rack must be on the four plastic supports when used.
- Use the rack only when cooking food on two positions.
- Do not cook with rack on the floor of the microwave oven.
- The rack can get hot during microwaving. Allow to cool the rack before handling.



# Important Safety Instructions

READ AND SAVE THESE INSTRUCTIONS

## Fan Motor Operation

After using the oven the fan motor can rotate to cool the electric components. This is perfectly normal, and you can take out the food from the oven while the fan operates.

## Room Venting with Carbon Filter

The charcoal filter, which was enclosed with your microwave oven, binds the odorous substances.

**Note:** If no charcoal filter is installed, it is not possible to bind the odorous substances in the cooking vapours.

## Exhaust Mode Operation

When the microwave is operated in exhaust mode simultaneously with a different burner, care must be taken to ensure that there is an adequate supply of fresh air which will be needed by the burner for combustion.



**CAUTION:** Avoid carbon monoxide poisoning – Provide adequate air intake so combustion gases are not drawn back into the room.

## Thermometers

Do not use regular cooking thermometers in oven. Most cooking thermometers contain mercury and may cause electrical arc, malfunction, or damage to the oven.

## Pacemakers

To avoid pacemaker malfunction, consult physician or pacemaker manufacturer about effects of microwave energy on pacemaker.

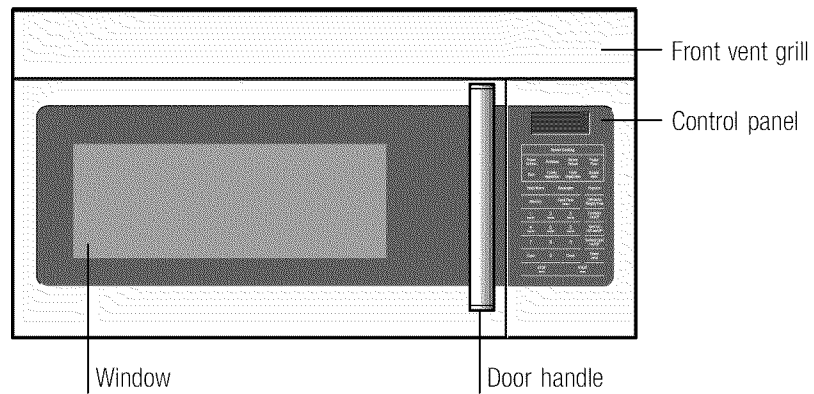
## Microwave utensil guide

Use	Do not use
<p><b>Oven proof glass (specifically treated for high intensity heat):</b></p> <p>Utility dishes, loaf dishes, pie plates, cake plates, liquid measuring cups, casseroles and bowls without metallic trim.</p>	<p><b>Metal utensils:</b></p> <p>Metal shields the food from microwave energy and produces uneven cooking. Also, avoid metal skewers, thermometers or foil trays. Metal utensils can cause arcing, which can damage your microwave oven.</p>
<p><b>China:</b></p> <p>Bowls, cups, serving plates and platters without metallic trim.</p>	<p><b>Metal decoration:</b></p> <p>Bowls, cups, serving plates and platters without metallic trim.</p>
<p><b>Plastic:</b></p> <p>Plastic wrap (as a cover) – lay the plastic wrap loosely over the dish and press it to the sides. Vent plastic wrap by turning back one edge slightly to allow excess steam to escape. The dish should be deep enough so that the plastic wrap will not touch the food. Use plastic dishes, cups, semi-rigid freezer containers and plastic bags for short cooking times. Use these with care because the plastic may soften from the heat of the food.</p>	<p>Aluminum foil:</p> <p>Avoid large sheets of aluminum foil because they hinder cooking and may cause harmful arcing. Use small pieces of foil to shield poultry legs and wings. Keep ALL aluminum foil at least 1 inch from the side walls of the oven cavity and door of the microwave.</p>
<p><b>Paper:</b></p> <p>Paper towels, waxed paper, paper napkins and paper plates with no metallic trim or design. Look for the manufacturer's label for any special instructions for use in the microwave oven.</p>	<p><b>Wood:</b></p> <p>Wooden bowls and boards will dry out and may split or crack when you use them in the microwave oven. Baskets made of wood will react in the same way.</p>
	<p><b>Tightly covered utensils:</b></p> <p>Be sure to leave openings for steam to escape from covered cookware. Pierce plastic pouches of vegetables or other food items before cooking. Tightly closed pouches may explode.</p>
	<p><b>Brown paper:</b></p> <p>Avoid using brown paper bags. They absorb heat and can burn.</p>
	<p><b>Flawed or chipped cooking utensils:</b></p> <p>Any utensil that is cracked, flawed or chipped may break in the oven.</p>
	<p><b>Metal twist ties:</b></p> <p>Remove metal twist ties from plastic or paper bags. They become hot and could cause a fire.</p>

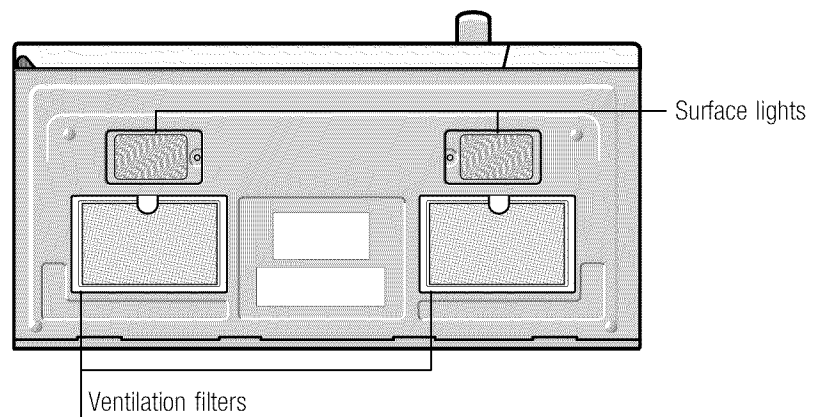
# Getting started

## Microwave overview

Front view



Bottom view

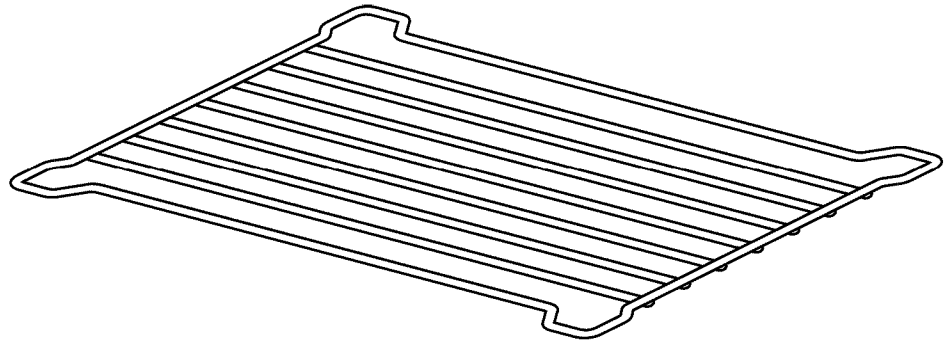


## Oven specifications

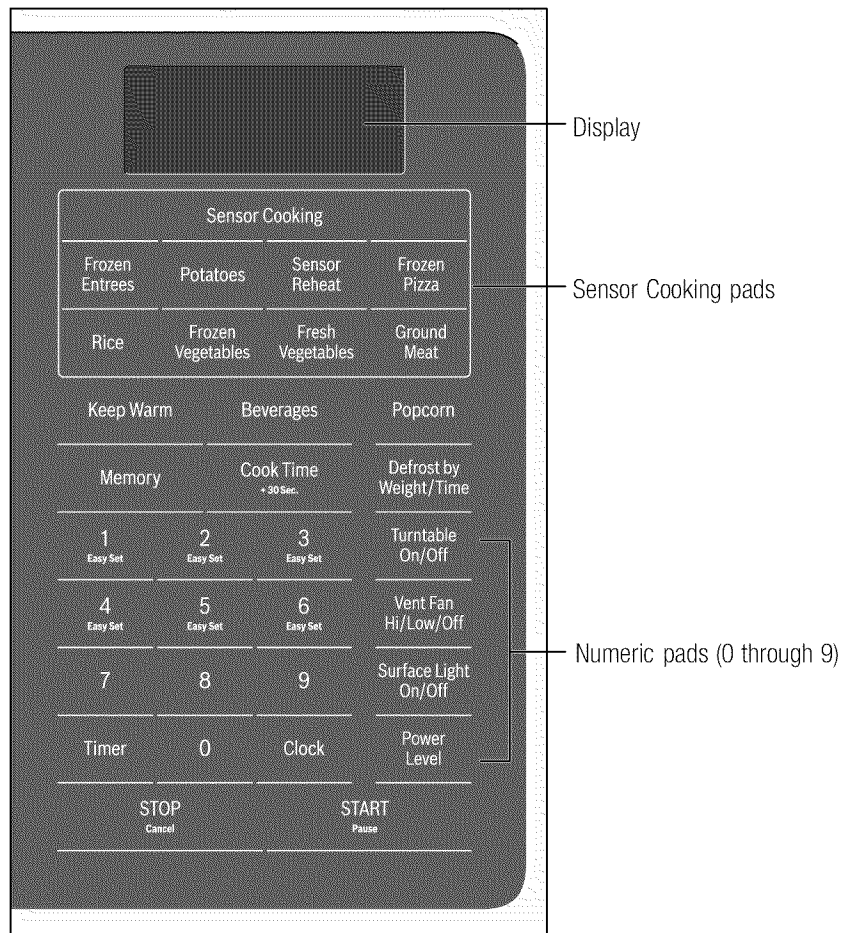
Power Supply	120 V AC, 60 Hz
Input Power	1.550 W
Cooking Power	1.000 W
Frequency	2.450 MHz
Cavity Volume	1.7 cubic ft. (48 L)
Net Weight	57.3 lbs. (26 kg)

## Accessories

Metal Rack



## Control Panel



---

# Operation

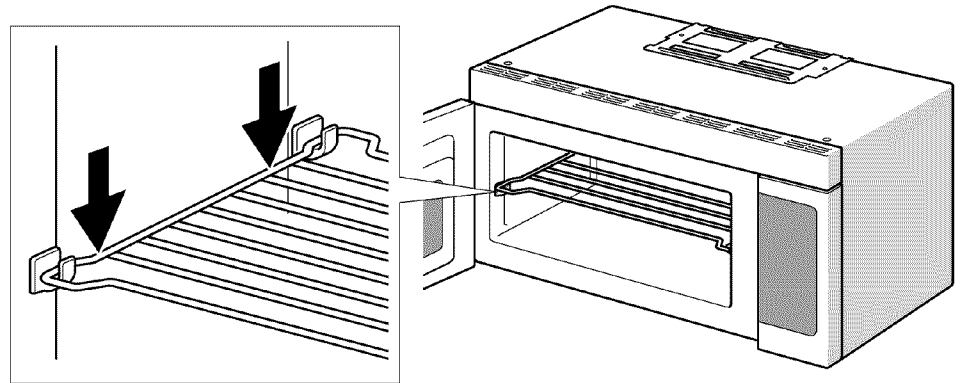
## Manual operation

### Using the metal rack

The metal rack gives you extra space when cooking in more than one container at the same time.

**To use the metal rack:**

1. Place rack securely in the four plastic supports.



**Note:** Rack must not touch metal walls or back of microwave.

2. Place equal amounts of food both above and below rack.

**Note:** Amount of food must be approximately the same in both containers to balance out cooking energy.



**CAUTION: To avoid risk of property damage:**

- Do not use the rack to pop popcorn.
- The rack must be on the four plastic supports when used.
- Use the rack only when cooking food on two positions.
- Do not cook with rack on the floor of the microwave oven.
- The rack can get hot during microwaving. Allow to cool the rack before handling.

### Setting the clock

**Example: setting clock display for 9:00:**

1. Touch **Clock** pad once or twice to select AM or PM.
2. Enter time using number pads.
3. Touch **Clock** pad again.

## Setting the timer

### Example: setting timer for 5 minutes:

1. Touch **Timer** pad once.
2. Enter desired time using number pads.
3. Touch **Timer** pad.

When the timer has reached the end of set time, **OFF** appears in the display and you will hear permanent beep alerts indicating the timer has run out.

To stop the beep, touch **Timer** or **STOP** pad.

## Vent Fan Hi / Low / Off

The exhaust ventilation moves steam and other cooking vapors from the cooking surface of the range below the microwave oven.

To operate the exhaust vent, touch the **Vent Fan Hi/Low/Off** pad once for the highest speed setting. Touch the pad again to choose the Low speed setting and a 3rd time to turn ventilation off.

**Note:** If the temperature gets too hot around the microwave oven, the fan in the exhaust vent hood will automatically turn on at the LOW setting to cool the oven. The fan will automatically turn off when the internal parts are cool. When this occurs, the vent cannot be turned off.

## Surface Light / On / Off

Touch the **Surface Light/On/Off** pad once for a cooking surface light. Press the pad again to turn the light off.

## Turntable On / Off

The Turntable On/Off feature can only be set while the microwave has been started.

For best cooking results, leave the turntable on. It can be turned off for large dishes.

To turn the turntable off, touch the **Turntable On/Off** pad once. Press the pad again to turn the turntable on.

**Note:** Sometimes the turntable can become hot. Be careful touching the turntable during and after cooking. Do not run the oven empty.

## Control Lock

You may lock the control panel to prevent the microwave from being accidentally started or used by children.

The control lock feature is very useful when cleaning the control panel. The lock will prevent accidental programming when wiping the control panel clean.

### Example: to set the control lock ON:

Touch and hold the **Stop/Cancel** pad for more than 3 seconds. The Lock icon will appear in the display window along with 2 beeps.

### Example: to change the control lock from ON to OFF:

Touch and hold the Stop/Cancel pad for more than 5 seconds. The Lock icon will disappear in the display window.



## Using EasySet

Microwave heating or cooking may be quickly set at 100% power level for 1, 2, 3, 4, 5 or 6 minutes. Use the number keys 1-6 to choose the desired minutes of cook time (this option will only work using the 1, 2, 3, 4, 5, 6 numeric pads):

**Example: to quickly heat for 2 minutes at 100% power:**

Touch number pad 2 for 2 minutes of cook time.

## Heating with multiple cooking stages

For best results, some microwave recipes call for different power levels or different lengths of time for cooking. Your microwave may be set to change from one stage to another automatically (2 stages maximum).

**Example: to cook food for 3 minutes at 80% power and then 50% power for 6 minutes 30 seconds:**

1. Press **Cook Time**.
2. Use the number pads to enter heating time for the 1st stage (cook time may be set up to 99 minutes and 99 seconds).
3. Press **Power Level** pad once.
4. Use the number keys to enter power level for the 1st stage. **PL8** appears in the display (80 % power).
5. Press **Cook Time** pad for 2nd stage.
6. Use the number pads to enter heating time for the 2nd stage (cook time may be set up to 99 minutes and 99 seconds).
7. Press **Power Level** pad for 2nd stage.
8. Use the number key to enter power level for the 2nd stage. **PL5** appears in the display (50 % power).
9. Press **START** pad.

When heating has finished you will hear 5 beeps and "Good" will display.

Touch **STOP** pad or open door.

## Heating with high power level

**Example: to heat for 5 minutes at 100% power:**

1. Press **Cook Time** pad.
2. Use the number pads to enter desired heating time (cook time may be set up to 99 minutes and 99 seconds).
3. Touch **START** pad.

When heating has finished you will hear 5 beeps and "Good" will display.

Touch **STOP** pad or open door.

## Heating with lower power levels

Using the highest power level to heat foods with does not always give the best results when some types of food need slower cooking, such as roasts, baked goods or custards. Your oven has nine other power levels you may choose.

**Example: to heat for 4 minutes at 70% power:**

1. Press **Cook Time**.
2. Use the number pads to enter desired heating time (cook time may be set up to 99 minutes and 99 seconds).
3. Press **Power Level** to set power level (10=100% power).
4. Use the number key to change the power level to 7. **PL7** appears in the display (70 % power).
5. Press **START** pad.

When heating has finished you will hear 5 beeps and "Good" will display.

Touch **STOP** pad or open door.

## Using the Pause key

If at anytime your microwave recipe would require that the food be turned or require you to stop the microwave during the cooking process you may do so after starting the microwave with the START/Pause pad.

**Example: To pause the microwave during cooking:**

1. Touch **START/Pause** pad once.
2. Touch **START/Pause** pad again to resume cooking.

## Adding cook time (Cook Time +30 Sec.)

This time-saving feature will let you quickly add 30 seconds to any cook time already set when cooking. This feature may only be used while cooking and with cook time remaining. Each press of this pad will add 30 seconds to the cook time.

**Example: to add 1 minute of cook time during cooking with power level 10 (100 %):**

Press **Cook Time +30 Sec.** pad twice.

## Setting Defrost (by Weight)

**Example: to defrost 1lb. (454g) of food with the default power level and cook time determined automatically:**

1. Press **Defrost** pad once. 0.0 will appear in the display.
2. Use the numeric pads to input weight of food to defrost in pounds (10 = 1lb.) You may enter any weight from 0.1 to 6.0lbs.
3. Press **START** pad.

When defrosting has finished you will hear 5 beeps and "Good" will display.

Touch **STOP** pad or open door.

**Note:** A valid weight entry is 0.1 to 6.0 pounds. Other values cannot be entered.

## Setting Defrost (by Time)

**Example: to defrost food with the default 30% power level for 5 minutes:**

1. Press **Defrost** pad twice. 0:00 will appear in the display.
2. Use the number pads to enter desired defrost time (defrost time may be set up to 99 minutes and 99 seconds).
3. Press **START** pad.

When heating has finished you will hear 5 beeps and "Good" will display.

Touch **STOP** pad or open door.

**Note:** Power levels cannot be changed for both defrost (by weight) or defrost (by time) because the defrost performance will be adversely affected.

## Special notes for defrosting by time

- After pressing START/Pause key, the display will count down remaining defrost time. The oven will beep twice during the defrost cycle. At this time open the door and turn the food if needed and remove any portions that have already thawed. Touch the START/Pause key to resume the defrost cycle.
- When heating has finished you will hear 5 beeps.

## Defrosting tips

- When using the defrost weight feature, the weight entered should always be pounds (valid entries are from 0.1 to 6.0 pounds).
- Use both defrost weight and defrost time features for raw food items only. Defrosting gives best results when food to be thawed is a minimum of 0°F (taken directly from a true freezer). If the food has been stored in a refrigerator-freezer that does not maintain a temperature of 5° F or below, always program a lower food weight or lower cook time to prevent cooking the food.
- If the frozen food is stored outside the freezer for up to 20 minutes, enter a reduced cook time or weight.
- The shape of the package will alter the defrosting time. Shallow rectangular food packets defrost more quickly than a deep frozen block of food.
- Separate pieces as they begin to defrost. Separated frozen pieces of food defrost better.
- Shield warm areas of food with small pieces of foil if they start to become warm.
- You may use small pieces of aluminum foil to shield food items like chicken wings, leg tips and fish tails, but do not allow the foil to touch the oven cavity walls when defrosting.

## Defrosting suggestions for meat

For best results, please read these suggestions when defrosting meat.

Meat	Normal amount	Suggestions
Roast beef or pork	2.5 to 6 lbs. (40 to 96 oz.)	Start with the food placed fat side down. After each stage, turn the food over and shield any warm portions with narrow strips of aluminum foil. Let stand, covered for 15-30 minutes.
Steaks, chops or fish	0.5 to 3 lbs. (8 to 48 oz.)	After each stage, rearrange the food. If there are any warm or thawed portions of food, shield them with narrow flat pieces of aluminum foil. Remove any pieces of food that are nearly defrosted. Let stand, covered for about 5 to 10 minutes.
Ground meat	0.5 to 3 lbs. (8 to 48 oz.)	After each stage, remove any pieces of food that are nearly defrosted. Let stand, covered with foil for 5 to 10 minutes.
Whole chicken	2.5 to 6 lbs. (40 to 96 oz.)	Remove giblets before freezing poultry. Start defrosting with the breast side down. After the 1st stage, turn the chicken over and shield any warm portions with narrow strips of aluminum foil. After the 2nd stage, again shield any warm portions with narrow strips of aluminum foil. Let stand, covered, for 30 to 60 minutes in the refrigerator.
Chicken pieces	0.5 to 3 lbs. (8 to 48 oz.)	After each stage, rearrange or remove any pieces of food that are nearly defrosted. Let stand for 10-20 minutes.

## Suggested power levels for cooking

The 10 power levels available with this microwave will help you to adjust to the power output best suited for the food type you are preparing. As with any food preparation in the microwave, it is best to follow the microwave instructions that are printed on food packaging.

The table below provides suggested power levels for various types of food that you can be prepare in the microwave.

## Suggestions for getting the best results

To help you achieve the best possible results from your microwave oven, read the following suggestions below:

- **Storage temperature**  
Foods taken from the freezer or refrigerator take longer to cook than the same foods would at room temperature.
- **Size**  
Small pieces of food cook faster than large ones. Pieces similar in size and shape will cook more evenly when cooked together. For more even results, reduce the power levels when cooking large pieces of food.
- **Natural moisture**  
Very moist foods cook more evenly because microwave energy heats water molecules very efficiently.
- **Stirring**  
Stir foods such as casseroles and vegetable from the outside to the center to distribute the heat more evenly. This will allow the food to cook faster. Constant stirring is not necessary.
- **Turn over items**  
Turn over foods such as pork chops, roasts or whole cauliflower halfway through the cook time. This will help to expose all sides equally to microwave energy.

- **Food placement**  
Place delicate areas of food items, such as asparagus tips, toward the center of the turntable tray.
- **Food arrangement**  
Arrange unevenly shaped foods, such as chicken pieces or salmon, with the thicker or meatier parts toward the outside of the turntable tray.
- **Let the food stand**  
After removing the food from the microwave, cover the food with foil or a casserole lid and let it stand to finish cooking. This will help the food finish in the center and avoids overcooking the out edges, The length of stand time depends on the density and surface area of the food items.
- **Wrapping in paper towels or waxed paper**  
Sandwiches and many other food types containing pre-baked bread should be wrapped prior to placing in the microwave to help prevent the food items from drying out while heating.

Power level	Microwave output	Use to prepare when:
10 High	100%	Boiling water Cooking ground beef Making candy Cooking fresh fruits & vegetables Cooking fish & poultry Preheating browning dish Reheating beverages Cooking bacon slices
9	90%	Reheating meat slices quickly Saute onions, celery & green peppers
8	80%	All reheating Cooking scrambled eggs.
7	70%	Cooking breads & cereal products Cooking cheese dishes & veal Cakes, muffins, brownies & cupcakes Cooking whole poultry
6	60%	Cooking pasta
5	50%	Cooking meat Cooking custard Cooking spare ribs, rib roast & sirloin roast
4	40%	Cooking less tender cuts of meat Reheating frozen packaged foods

Power level	Microwave output	Use to prepare when:
3	30%	Thawing meat, poultry & seafood Cooking small quantities of food Finish cooking casseroles, stew & some sauces
2	20%	Softening butter & cream cheese Heating small amounts of food
1	10%	Softening ice cream Raise yeast dough

## Sensor Cooking

Sensor Cooking allows you to cook most of your favorite foods without selecting cooking times and power levels. The microwave oven automatically determines required cooking time for each food item. The display will indicate **5C** together with the program number during the sensing time. When the internal sensor detects a certain amount of humidity coming from the food, it will tell the oven how much longer to heat. The display will show the remaining heating time. For best results for cooking by sensor, follow these recommendations:

- Food cooked with the sensor system should be at normal storage temperature.
- Glass tray and outside of container should be dry.
- Foods should always be covered loosely with microwavable plastic wrap, waxed paper or lid.
- Do not open the door or touch STOP pad during sensing time. When sensing time is over, the oven beeps once and the remaining cooking time will appear in the display. At this time you can open the door to stir, turn or rearrange the food.

## Frozen Entrees

**Example: to cook frozen entrees automatically:**

1. Press **Frozen Entrees** sensor pad.
2. Press **START** pad.

Sensing starts.

When sensing time is over, you will hear a beep and the remaining cooking time will display. Stir or rearrange, then continue to cook.

When heating has finished you will hear 5 beeps and "Good" will display.

Touch **STOP** pad or open door.

**Note:** Cover with vented plastic wrap.

## Potatoes

The Potatoes feature cooks up to 3 potatoes (6-8 oz. per one) automatically.

### Example: to cook 1 potato automatically:

1. Press **Potatoes** sensor pad.
2. Press **START** pad.

Sensing starts.

When sensing time is over, you will hear a beep and the remaining cooking time will display.

When heating has finished you will hear 5 beeps and "Good" will display.

Touch **STOP** pad or open door.

### Note:

- Do not put the potato on glass center.
- The potato should have room temperature.
- After cookings, let potatoes stand for 5 minutes.

## Sensor Reheat

The reheat feature lets you reheat food (8-12 Oz.) for your cooking convenience.

### Example: to reheat 12 ounces of food.

1. Press **Sensor Reheat** pad.
2. Press **START** pad.

Sensing starts.

When sensing time is over, you will hear a beep and the remaining cooking time will display. Stir or rearrange, then continue to cook.

When heating has finished you will hear 5 beeps and "Good" will display.

Touch **STOP** pad or open door.

### Note:

- Cover with vented plastic wrap.
- Reheat food on a dinner plate.

## Reheat cooking suggestions

Reheat	Directions	Amount
Dinner plate	Use only pre-cooked, refrigerated foods. Cover plate with vented plastic wrap or waxed paper, tucked under plate. If food is not as hot as you prefer after heating with <b>Reheat</b> , continue heating using manual time and power level settings.  Contents: <ul style="list-style-type: none"><li>• 3–4 oz. meat, poultry or fish (up to 6 oz. with bone)</li><li>• ½ cup starch (potatoes, pasta, rice, etc.)</li><li>• ½ cup of vegetables (about 3–4 oz.)</li></ul>	1 serving (1 plate)
Casserole	Cover plate with lid or vented plastic wrap. If food is not as hot as you prefer after heating with <b>Reheat</b> , continue heating using manual time and power level settings.	1 to 4 servings
Pasta	Stir foods once before serving.  Contents: <ul style="list-style-type: none"><li>• Casserole-refrigerated foods (for example beef stew or lasagna)</li><li>• Pasta-Canned spaghetti and ravioli, refrigerated foods.</li></ul>	

## Frozen Pizza

The frozen pizza feature lets you heat several slices of pizza (6-12 Oz.) without selecting cooking times and power level.

**Example: to heat 12 ounces of pizza.**

1. Press **Frozen Pizza** pad.
2. Press **START** pad.

Sensing starts.

When sensing time is over, you will hear a beep and the remaining cooking time will display.

When heating has finished you will hear 5 beeps and "Good" will display.

Touch **STOP** pad or open door.

## Rice

The rice feature lets you cook rice (4-16 Oz.) automatically.

**Example: to cook 16 ounces of rice:**

Place rice on a microwave safe big bowl as casserole dish, add 2 cups of cool water, salt and oil and cover with lid.

1. Press **Rice** sensor pad.
2. Press **START** pad.

Sensing starts.

When sensing time is over, you will hear a beep and the remaining cooking time will display.

When heating has finished you will hear 5 beeps and "Good" will display.

Touch **STOP** pad or open door.

**Note:** The rice should have room temperature.

## Frozen Vegetables

The frozen vegetable feature lets you heat several frozen vegetables (6-16 Oz.) automatically.

**Example: to heat 16 ounces of frozen vegetables:**

Add 60g of water (15g per 4 Oz.).

1. Press **Frozen Vegetables** sensor pad.
2. Press **START** pad.

Sensing starts.

When sensing time is over, you will hear a beep and the remaining cooking time will display.

When heating has finished you will hear 5 beeps and "Good" will display.

Touch **STOP** pad or open door.

**Note:** Cover with vented plastic wrap or lid.



## Fresh Vegetables

The fresh vegetable feature lets you heat several fresh vegetables (4-16 Oz.) automatically.

**Example: to heat 16 ounces of fresh vegetables:**

Add 60g of water (15g per 4 Oz.).

1. Press **Fresh Vegetables** sensor pad.
2. Press **START** pad.

Sensing starts.

When sensing time is over, you will hear a beep and the remaining cooking time will display.

When heating has finished you will hear 5 beeps and "Good" will display.

Touch **STOP** pad or open door.

**Note:**

- The vegetables should have room temperature.
- Cover with vented plastic wrap or lid.

## Ground meat

The ground meat feature lets you heat ground meat (8-24 Oz.) automatically.

**Example: to heat 16 ounces of ground meat:**

1. Press **Ground Meat** sensor pad.
2. Press **START** pad.

Sensing starts.

When sensing time is over, you will hear a beep and the remaining cooking time will display. Stir or rearrange, then continue to cook.

When heating has finished you will hear 5 beeps and "Good" will display.

Touch **STOP** pad or open door.

**Note:** Use glass plate and cover with vented plastic wrap or lid.

# Convenience operation

## Keep Warm

You can keep cooked food warm in your microwave oven for up to 99 minutes and 99 seconds

**Example: To use Keep Warm for 30 minutes:**

1. Press **Keep Warm** pad once.
2. Enter desired time using number pads.
3. Press **START** pad.

**Note:** Food cooked covered should remain covered during Keep Warm. Pastry items (pies, turnovers, etc.) should be uncovered. Complete meals kept warm on a dinner plate can be covered during Keep Warm.

## Memory

The Memory feature lets you save and recall one cooking instruction to begin cooking quickly.

**Example: To save cooking for 2 minutes at 70% power:**

1. Press **Cook Time**.
2. Use the number pads to enter desired heating time (cook time may be set up to 99 minutes and 99 seconds).
3. Press **Power Level** to set power level (10=100% power).
4. Use the number key to change the power level to 7. **PL7** appears in the display (70 % power).
5. Press **Memory** pad.

The setting has been saved.

To recall the setting touch **Memory** pad and press **START**.

**Note:** This feature can only be used together with the following operations:

- Heating with high power level
- Heating with lower power level
- Keep Warm

## Popcorn



**CAUTION:** Do not leave microwave oven unattended while popping corn.

The popcorn feature lets you pop 3 different commercially packaged microwave popcorn sized bags. Use the table below to determine the setting to use.

Amount	Press popcorn pad
1.75 oz. (default setting)	once
3.0 oz.	twice
3.5 oz.	3 times

**Example: to pop a 3.0 oz. bag of popcorn automatically:**

1. Press **Popcorn** pad (1, 2 or 3 times – refer to table above to change for bag size)
2. Press **START** pad.

When heating has finished you will hear 5 beeps and "Good" will display.

Touch **STOP** pad or open door.

## Beverages

The beverages feature heats 1, 2 or 3 cups of beverage. Use the table below to determine the setting to use.

Amount	Press beverage pad
1 cup (about 8 oz.)	once
2 cups (about 16 oz.)	twice
3 cups (about 24 oz.)	3 times

**Example: to heat 1 cup of a beverage:**

1. Press **Beverages** pad (1, 2 or 3 times –refer to table above to change number of servings).
2. Press **START** pad.

When heating has finished you will hear 5 beeps and "Good" will display.

Touch **STOP** pad or open door.

## Convenience cooking suggestions

Convenience category	Amount	Suggestions
Popcorn	1.75,3.0, 3.5 oz. 1 pkg.	Cook a single "microwave-only" bag of popcorn at a time. Use caution when removing and opening the hot popcorn bag from the oven. Let microwave oven cool down at least 5 minutes before using again.
Potato	1,2,3 potatoes 8,16,24 oz.	Pierce each potato several times using a fork. Place on turntable in spoke-like fashion. After cooking, let stand for 3-5 minutes. Let oven cool for at least 5 minutes before using again. Use the start/+30sec pad to increase cook time for larger potatoes.
Beverage	1,2,3 cups (8 oz,16 oz, 24 oz.)	Use a microwave-safe measuring cup or mug; do not cover. Place the beverage in the microwave. After heating, stir well. Let oven cool for at least 5 minutes before using again. Beverages heated with the beverage category may be very hot. Remove the container with care.

## Cooking meat in your microwave

Be sure to place prepared meats on a microwave-safe roasting rack in a microwave-safe dish. Start cooking the meat fat side down and if necessary, use narrow strips of aluminum foil to shield any bone tips or thin meat areas. After cooking, check the temperature in several places before letting the meat stand the recommended time. Please note that the temperatures in the following charts are temperatures at removal time; the temperature will rise during the standing period.

Meat	Power level	Cook time	Directions
Roast beef boneless (up to 4 lbs.)	High (10) for first 5 minutes, then medium (5)	12-17 min./lb. for 160° F (Medium)	Place roast beef fat-side down on roasting rack. Cover with wax paper. Turn over half way through cooking. Let stand* 10-15 minutes.
		14-19 min./lb. for 170° F (Well Done)	
Roast pork boneless or bone-in (up to 4 lbs.)	High (10) for first 5 minutes, then medium (5)	15-20 min./lb. for 170° F (Well Done)	Place roast pork fat-side down on roasting rack. Cover with wax paper. Turn over half way through cooking. Let stand* 10-15 minutes.

\* Expect a 10° F rise in the temperature during the standing period.

Meat	Doneness	Remove from oven	After standing (10-15 min.)
Beef	Medium	150° F	160° F
	Well done	160° F	170° F
Pork	Medium	150° F	160° F
	Well done	160° F	170° F
Poultry	Dark meat	170° F	180° F
	Light meat	160° F	170° F

## Cooking poultry in your microwave

Be sure to place poultry on a microwave-safe roasting rack in a microwave-safe dish. Cover poultry with wax paper to prevent splattering. Use narrow strips of aluminum foil to shield any bone tips or thin meat areas, or areas that start to overcook. After cooking, check the temperature in several places before letting the meat stand the recommended time.

Meat	Power level	Cook time	Directions
Whole chicken (up to 4 lbs.)	medium high (7) 180° F dark meat 170° F dark meat	7-10 min. /lb	Place chicken breast-side down on roasting rack. Cover with wax paper. Turn over half way through cooking. Cook until juices run clear and meat near bone is no longer pink. Let stand for 5-10 min.
Chicken pieces (up to 4 lbs.)	medium high (7) 180° F dark meat 170° F dark meat	7-10 min. /lb.	Place chicken bone-side down on dish, with thickest portions toward the inside of dish. Cover with wax paper. Turn over half way through cooking. Cook until juices run clear and meat near bone is no longer pink. Let stand for 5-10 min.

## Cooking eggs in your microwave

- Never cook eggs in the shell and never warm hard-cooked eggs in the shell; they can explode
- Always pierce whole eggs to keep them from bursting
- Cook eggs just until set; they will become tough if overcooked

## Cooking vegetables in your microwave

- Vegetables should be washed just before cooking. Rarely is extra water needed. If dense vegetables such as potatoes, carrots and greens are being cooked, add about ¼ cup of water
- Small vegetables (sliced carrots, peas, lima beans, etc.) will cook faster than larger vegetables
- Whole vegetables, such as potatoes, acorn squash or corn on the cob, should be arranged in a circle on the turntable before cooking. They will cook more evenly if turned over halfway through cooking
- Always place vegetables like asparagus and broccoli with the stem ends pointing towards the edge of the dish and the tips toward the center
- When cooking cut vegetables, always cover the dish with a lid or vented microwavable plastic wrap
- Whole, unpeeled vegetables such as potatoes, squash, eggplant, etc., should have their skin pricked in several locations before cooking to prevent them from bursting
- For more even cooking, stir or rearrange whole vegetables halfway through the cook time
- Most of the time, the denser the food the longer the required standing time. For example, a baked potato should stand for 5 minutes before serving, while a dish of peas may be served immediately

## Cooking seafood in your microwave

Place fish on a microwave-safe roasting rack in a microwave-safe dish. Be sure to always cook fish until it flakes easily with a fork. Use a tight cover to steam fish; a lighter cover of wax paper or paper towel provides less steaming. And be sure not to overcook fish; check it for doneness at a minimum cooking time before cooking longer.

Seafood	Power level	Cook time	Directions
Fish steaks Up to 1½ lbs.	medium high (7)	7-11 min. /lb	Arrange fish on roasting rack with meaty portions towards the outside of rack. Cover with wax paper. Turn over and rearrange halfway through cook time. Cook until fish flakes easily with fork. Let stand 3-5 mins.
Fish fillets Up to 1½ lbs.	medium high (7)	4-8 min. /lb.	Arrange fillets in a baking dish, turning any thin pieces under. Cover with wax paper. If over ½ inch thick, turn over and rearrange halfway through cook time. Cook until fish flakes easily with fork. Let stand 2-3 mins.
Shrimp Up to 1½ lbs.	medium high (7)	4-6½ min./lb.	Arrange shrimp in a baking dish without overlapping or layering. Cover with wax paper. Cook until firm and opaque, stirring 2 or 3 times. Let stand 5 mins.

---

# Cleaning and Maintenance

## Cleaning

### Cleaning suggestions

For best performance and for safety reasons, keep the oven clean inside and outside. Take special care to keep the inner door panel and oven front frame free of food and grease build-up.

**Never use rough scouring powder or pads** on the microwave. Wipe the microwave oven inside and out with a soft cloth and a warm (not hot) mild detergent solution. Then rinse and wipe completely dry.

Wipe spatters immediately with a wet paper towel, especially after cooking greasy foods like chicken or bacon.

Clean your microwave oven weekly or more often, if needed.

#### **Follow these instructions to clean and care for your microwave oven:**

Keep the inside (cavity) of the oven clean. Food particles and spilled liquids can stick to the oven walls, causing the oven to work less efficiently.

Wipe up spills immediately. Use a damp, clean cloth and mild soap. **DO NOT** use harsh detergents or abrasive cleaners.

To help loosen baked-on food particles or liquids, heat 2 cups of water (add the juice of 1 lemon if you desire to keep the oven fresh smelling) in a 4 cup measuring glass at High power for 5 minutes or until boiling. Let stand in oven cavity for 1 or 2 minutes.

Remove the glass turntable tray from the oven when cleaning the oven cavity or tray. To prevent the glass turntable from breaking, handle with care and do not put it in water immediately after cooking. Wash the turntable tray in warm sudsy water or in the dishwasher.

Clean the outside surface of the microwave with soap and a clean damp cloth. Dry with a clean soft cloth. To prevent damage to the operating parts of the oven, do not let water seep into any vents or openings.

Wash the oven door window with very mild soap and water. Be sure to use a soft clean cloth to avoid scratching.

If steam accumulates inside or outside the oven door, wipe with a soft cloth. Steam can accumulate when operating the oven in high humidity and in no way indicates microwave leakage.

Never operate the oven without food in the oven cavity; this can damage the magnetron tube or glass tray. You may wish to leave a cup of water standing inside the oven when it is not in use to prevent damage if the oven is accidentally turned on.

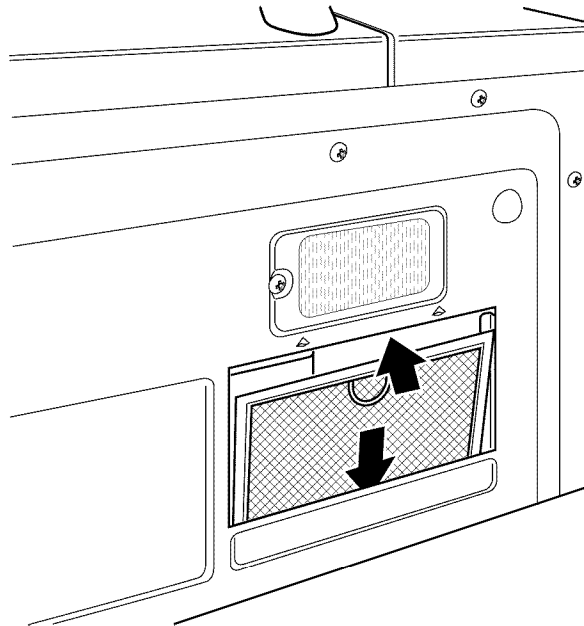
## Cleaning the exhaust filters

The oven ventilation exhaust filters should be removed and cleaned often; generally at least once every month.



**CAUTION:** To avoid risk of personal injury or property damage, do not operate oven hood without filters properly in place.

1. To remove the exhaust ventilation filters, slide the filter to the rear. Then pull filter downward and push to the other side. The filter will drop out. Repeat for the 2nd filter.



2. The filters can be cleaned in a dishwasher.

When cleaning the filters by hand, first soak them in hot soapy water. Do not use harsh, acidic or caustic cleaners. After soaking brush to clean the filters, then rinse thoroughly and let drip dry.

3. To reinstall the exhaust ventilation filter, slide it into the side slot, then push up and toward oven to lock. Reinstall the 2nd filter using the same procedure.

## Cleaning the metal rack

Wash the metal rack with a mild soap and a soft or nylon scrub brush. Dry completely. Do not use abrasive scrubbers or cleaners to clean rack.

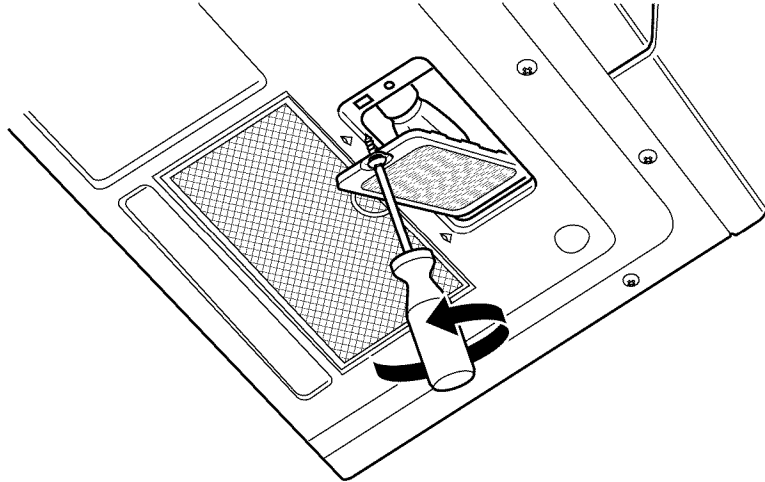
# Maintenance

## Surface light replacement

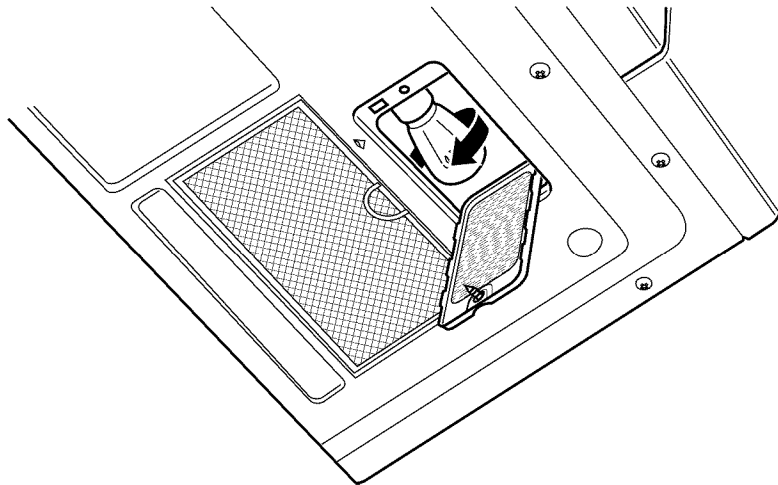


**CAUTION:** To avoid risk of personal injury or property damage, wear gloves when replacing the light bulbs.

1. Unplug the microwave oven or turn off power at the main circuit breaker.
2. Remove the bulb cover mounting screws at both light positions under the microwave.



3. Replace bulb with 30 watt appliance bulb.

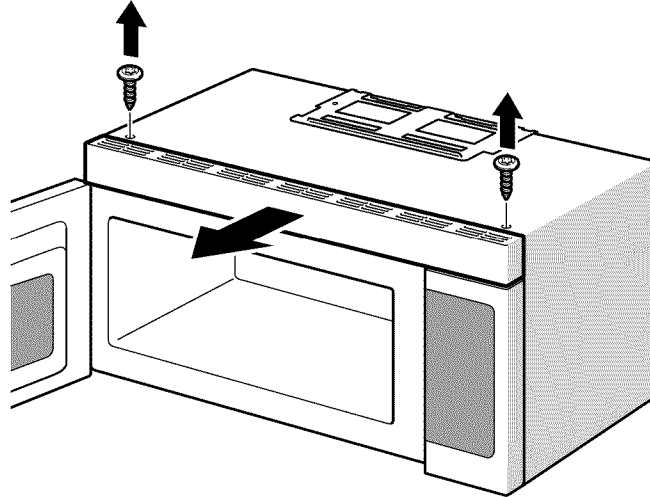


4. Replace bulb cover and mounting screw.
5. Plug the microwave back into the power supply or turn the power back on at the main circuit breaker.

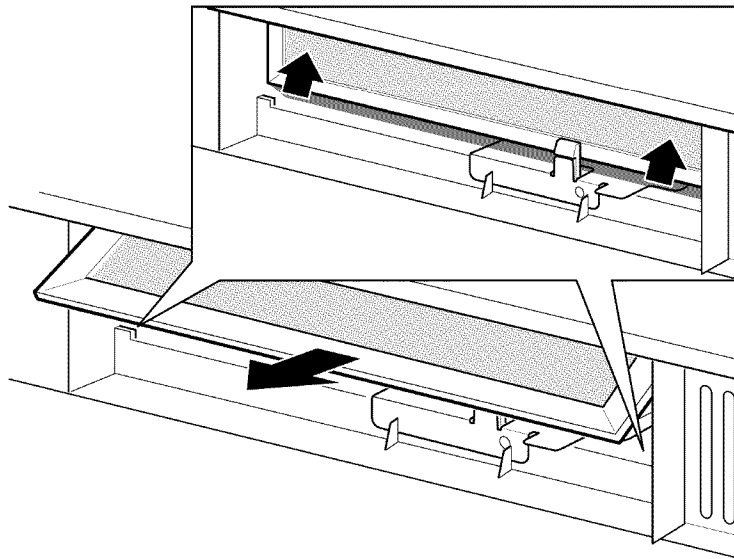


## Oven light replacement

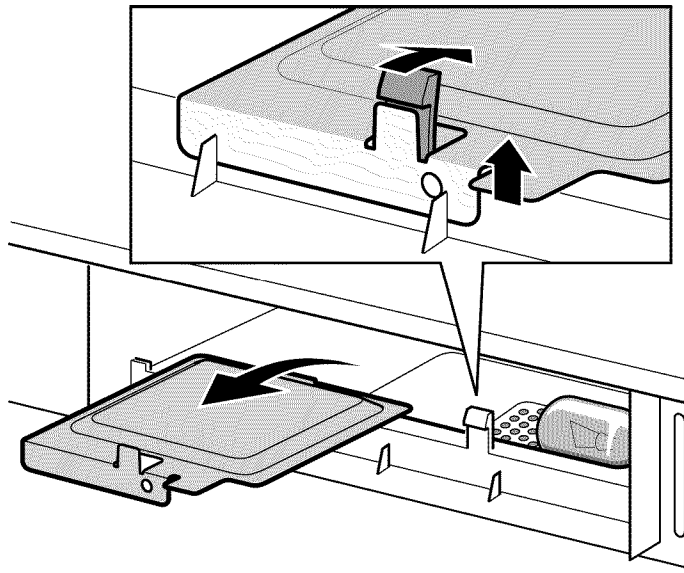
1. To replace light bulb, first disconnect power to the microwave oven at the circuit breaker panel or by unplugging.
2. Remove the vent grill mounting screws.
3. Pull the vent grill away from the unit.



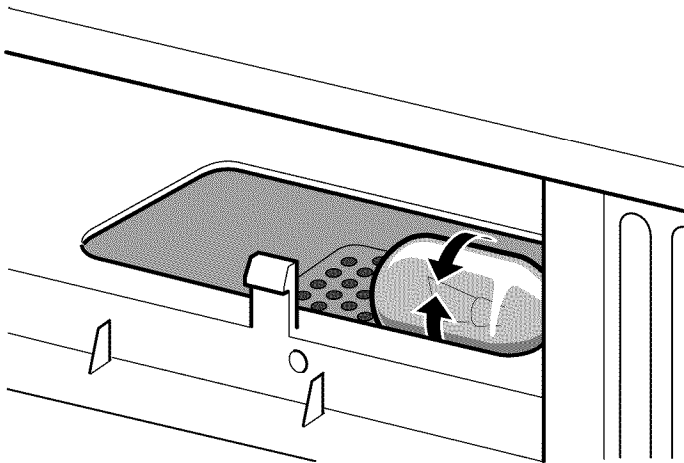
4. Remove the charcoal filter by pushing it inwards, then turn and pull it away from the unit.



5. Open light cover located behind filter mounting by carefully pulling up on the front edge.



6. Remove old light bulb and replace only with equivalent 30 watt bulb available from parts distributor. Bulbs are also available at most hardware stores or lighting centers.



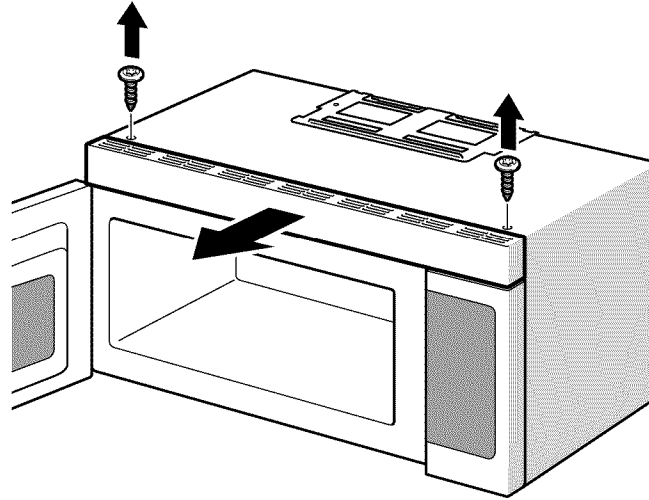
**Note:** DO NOT USE BULB LARGER THAN 30 WATTS.

7. Replace the microwave oven light cover by carefully pushing into place. Replace the charcoal filter. Push the vent grill back into place (engaging both the bottom and top tabs) and replace the vent grill mounting screws.

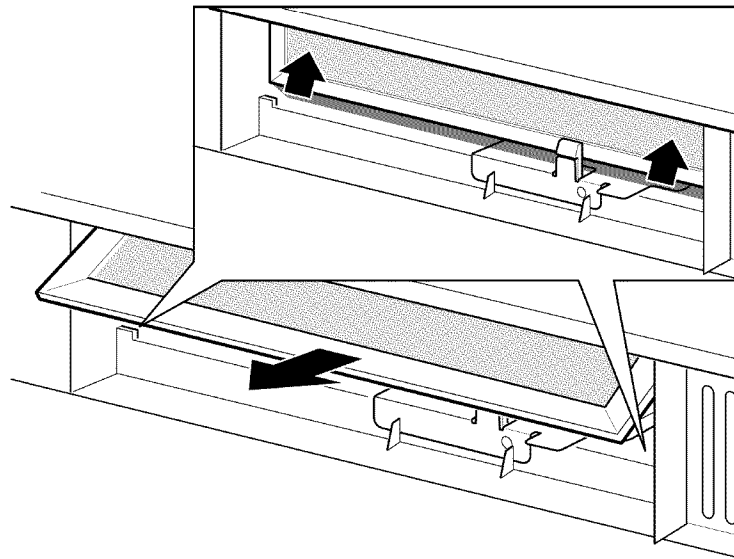
## Charcoal filter replacement

The charcoal Filter, which was enclosed with your microwave oven, is used for nonvented, recirculated installation (Room Venting). The filter should be changed every 6 to 12 months depending on use.

1. Disconnect power to the microwave oven at the circuit breaker panel or by unplugging.
2. Remove the vent grill mounting screws.
3. Pull the vent grill away from the unit.



4. Change the charcoal filter.



5. Carefully push the vent grill back into place and replace the screws removed in Step 2

**Note:** If no charcoal filter is installed, it is not possible to bind the odorous substances in the cooking vapours.

---

# Service

## Troubleshooting

Before you call a repair person for your microwave, check the list below for possible easy solutions to some common problems.

### Neither the microwave's display or oven operates

- Properly insert the plug into a grounded power outlet.
- If the outlet is controlled by a wall switch, make sure the wall switch is turned on.
- Remove the plug from the outlet, wait 10 seconds, then plug the microwave in again.
- Reset the household circuit breaker or replace any blown fuses.
- Plug a different appliance into the power outlet. If the other appliance will not operate, have a qualified electrician repair the outlet.
- Plug the microwave into a different power outlet.

### The oven display works, but the oven will not operate

- Make sure the oven door is closed securely and completely.
- Check to see if packing material or other materials are stuck to the door seal.
- Check for damage to the oven door.
- Press the **STOP/cancel** pad twice and attempt to re-enter cooking instructions.

### The power goes off before the cook time has elapsed

- If there has been a power interruption, remove the plug from the outlet; wait 10 seconds, then plug the microwave in again. If there was a power outage, the time indicator in the display will show **00:00**.
- Reset the clock and any cooking instructions.
- Reset the household circuit breaker or replace any blown fuses.
- Press the **STOP/cancel** pad twice and attempt to re-enter cooking instructions.
- Plug a different appliance into the power outlet. If the other appliance will not operate, have a qualified electrician repair the outlet.
- Plug the microwave into a different power outlet.

### Food is cooking too slowly

- Make sure the oven is on a separate 20 amp circuit line. Operating another appliance on the same circuit can cause a voltage drop. If necessary, move the microwave to its own circuit.

### You see sparks or arcing

- Remove any metallic utensils, cookware or metal ties from the oven cavity. If using aluminum foil, use only narrow strips and allow at least one inch between the foil and the interior oven walls.

### The turntable makes noises or sticks

- Clean the turntable, roller ring and oven cavity bottom.
- Make sure the turntable and roller ring are positioned correctly.

### Using your microwave causes TV or radio interference

- This is similar to the interference caused by other small appliances, such as hair dryers. Move your microwave further away from other appliances, like your TV or radio.

**Note:** If the oven is set to cook for more than 30 minutes at 100% power level, it will automatically adjust itself to a 80% power level after 30 minutes to avoid overcooking.

If you have a problem you cannot solve, please do not hesitate to call our service line:

## Customer service

Contact our Customer Service department if your appliance needs repair. Our central Customer Service Center (see below) will also be happy to supply you with details on a center close to you.

### Model(E) number and FD number

When you contact our customer service, please have the Model(E) number and the FD number for your appliance available.

You can find the identification plate with these numbers on the underside of the appliance and in the appliance booklet.

Questions? Please contact us. We look forward to hearing from you!

800-944-2904  
www.boschappliances.com  
5551 McFadden Ave.  
Huntington Beach, CA 92649

## STATEMENT OF LIMITED PRODUCT WARRANTY

### What this Warranty Covers & Who it Applies to

The limited warranty provided by BSH Home Appliances Bosch in this Statement of Limited Product Warranty applies only to the Bosch OTR ("Product") sold to you, the first using purchaser, provided that the Product was purchased:

- For your normal, household (non-commercial) use, and has in fact at all times only been used for normal household purposes.
- New at retail (not a display, "as is", or previously returned model), and not for resale, or commercial use.
- Within the United States or Canada, and has at all times remained within the country of original purchase.

The warranties stated herein apply only to the first purchaser of the Product and are not transferable. Bosch reserves the right to request proof of purchase at the time any warranty claim is submitted to confirm that the Product falls within the scope of this limited product warranty.

Please make sure to return your registration card; while not necessary to effectuate warranty coverage, it is the best way for Bosch to notify you in the unlikely event of a safety notice or product recall.

## How Long the Warranty Lasts

Bosch warrants that the Product is free from defects in materials and workmanship for a period of three hundred sixty-five (365) days from the date of purchase. The foregoing timeline begins to run upon the date of purchase, and shall not be stalled, tolled, extended, or suspended, for any reason whatsoever.

## Repair/Replace as Your Exclusive Remedy

During this warranty period, Bosch or one of its authorized service providers will repair your Product without charge to you (subject to certain limitations stated herein) if your Product proves to have been manufactured with a defect in materials or workmanship. If reasonable attempts to repair the Product have been made without success, then Bosch will replace your Product (upgraded models may be available to you, in Bosch's sole discretion, for an additional charge). All removed parts and components shall become the property of Bosch at its sole option. All replaced and/or repaired parts shall assume the identity of the original part for purposes of this warranty and this warranty shall not be extended with respect to such parts. Bosch's sole liability and responsibility hereunder is to repair manufacturer-defective Product only, using a Bosch-authorized service provider during normal business hours. For safety and property damage concerns, Bosch highly recommends that you do not attempt to repair the Product yourself, or use an un-authorized servicer; Bosch will have no responsibility or liability for repairs or work performed by a non-authorized servicer. If you choose to have someone other than an authorized service provider work on your Product, THIS WARRANTY WILL AUTOMATICALLY BECOME NULL AND VOID.

Authorized service providers are those persons or companies that have been specially trained on Bosch products, and who possess, in Bosch's opinion, a superior reputation for customer service and technical ability (note that they are independent entities and are *not* agents, partners, affiliates or representatives of Bosch). Notwithstanding the foregoing, Bosch will not incur any liability, or have responsibility, for the Product if it is located in a remote area (more than 100 miles from an authorized service provider) or is reasonably inaccessible, hazardous, threatening, or treacherous locale, surroundings, or environment; in any such event, if you request, Bosch would still pay for labor and parts and ship the parts to the nearest authorized service provider, but you would still be fully liable and responsible for any travel time or other special charges by the service company, assuming they agree to make the service call.

## Out of Warranty Product

Bosch is under no obligation, at law or otherwise, to provide you with any concessions, including repairs, pro-rates, or Product replacement, once this warranty has expired.

## Warranty Exclusions

The warranty coverage described herein excludes all defects or damage that are not the direct fault of Bosch, including without limitation, one or more of the following:

- Use of the Product in anything other than its normal, customary and intended manner (including without limitation, any form of commercial use, use or storage of an indoor product outdoors, use of the Product in conjunction with air or water-going vessels).
- Any party's willful misconduct, negligence, misuse, abuse, accidents, neglect, improper operation, failure to maintain, improper or negligent installation, tampering, failure to follow operating instructions, mishandling, unauthorized service (including self-performed "fixing" or exploration of the appliance's internal workings).
- Adjustment, alteration or modification of any kind.
- A failure to comply with any applicable state, local, city, or county electrical, plumbing and/or building codes, regulations, or laws, including failure to install the product in strict conformity with local fire and building codes and regulations.

- Ordinary wear and tear, spills of food, liquid, grease accumulations, or other substances that accumulate on, in, or around the Product.
- Any external, elemental and/or environmental forces and factors, including without limitation, rain, wind, sand, floods, fires, mud slides, freezing temperatures, excessive moisture or extended exposure to humidity, lightning, power surges, structural failures surrounding the appliance, and acts of God.

In no event shall Bosch have any liability or responsibility whatsoever for damage to surrounding property, including cabinetry, floors, ceilings, and other structures or objects around the Product. Also excluded from this warranty are scratches, nicks, minor dents, and cosmetic damages on external surfaces and exposed parts; Products on which the serial numbers have been altered, defaced, or removed; service visits to teach you how to use the Product, or visits where there is nothing wrong with the Product; correction of installation problems (you are solely responsible for any structure and setting for the Product, including all electrical, plumbing or other connecting facilities, for proper foundation/flooring, and for any alterations including without limitation cabinetry, walls, floors, shelving, etc.); and resetting of breakers or fuses.

**TO THE EXTENT ALLOWED BY LAW, THIS WARRANTY SETS OUT YOUR EXCLUSIVE REMEDIES WITH RESPECT TO PRODUCT, WHETHER THE CLAIM ARISES IN CONTRACT OR TORT (INCLUDING STRICT LIABILITY, OR NEGLIGENCE) OR OTHERWISE. THIS WARRANTY IS IN LIEU OF ALL OTHER WARRANTIES, WHETHER EXPRESS OR IMPLIED. ANY WARRANTY IMPLIED BY LAW, WHETHER FOR MERCHANTABILITY OR FITNESS FOR A PARTICULAR PURPOSE, OR OTHERWISE, SHALL BE EFFECTIVE ONLY FOR THE PERIOD THAT THIS EXPRESS LIMITED WARRANTY IS EFFECTIVE. IN NO EVENT WILL THE MANUFACTURER BE LIABLE FOR CONSEQUENTIAL, SPECIAL, INCIDENTAL, INDIRECT, "BUSINESS LOSS", AND/OR PUNITIVE DAMAGES, LOSSES, OR EXPENSES, INCLUDING WITHOUT LIMITATION TIME AWAY FROM WORK, HOTELS AND/OR RESTAURANT MEALS, REMODELLING EXPENSES IN EXCESS OF DIRECT DAMAGES WHICH ARE DEFINITELY CAUSED EXCLUSIVELY BY BOSCH, OR OTHERWISE. SOME STATES DO NOT ALLOW THE EXCLUSION OR LIMITATION OF INCIDENTAL OR CONSEQUENTIAL DAMAGES, AND SOME STATES DO NOT ALLOW LIMITATIONS ON HOW LONG AN IMPLIED WARRANTY LASTS, SO THE ABOVE LIMITATIONS MAY NOT APPLY TO YOU. THIS WARRANTY GIVES YOU SPECIFIC LEGAL RIGHTS, AND YOU MAY ALSO HAVE OTHER RIGHTS WHICH VARY FROM STATE TO STATE.**

No attempt to alter, modify or amend this warranty shall be effective unless authorized in writing by an officer of BSH.

#### **How to obtain warranty service**

To obtain warranty service for your Product, you should contact the nearest Bosch authorized service center.

BSH Home Appliances – 5551 McFadden Ave., Huntington Beach, CA 92649

**1-800-944-2904**

## Contenido

<b>Seguridad</b> .....	<b>42</b>
<b>Instrucciones de seguridad importantes</b> .....	<b>42</b>
Guía de utensilios para horno de microondas .....	50
<b>Cómo comenzar</b> .....	<b>51</b>
<b>Descripción general del horno de microondas</b> .....	<b>51</b>
Especificaciones del horno .....	51
Accesorios .....	52
<b>Panel de control</b> .....	<b>52</b>
<b>Operación</b> .....	<b>53</b>
<b>Operación manual</b> .....	<b>53</b>
Cómo usar la rejilla de metal .....	53
Programación del reloj .....	54
Programación del temporizador .....	54
Vent Fan Hi/Low/Off (Ventilador alto/bajo/apagado) .....	54
Surface Light On/Off (Luz de superficie encendida/apagada) .....	54
Turntable On/Off (Bandeja giratoria encendida/apagada) .....	54
Control Lock (Bloquear control) .....	55
Uso de EasySet (Programación fácil) .....	55
Calentar en varias etapas de cocción .....	55
Calentar con nivel de potencia alto .....	55
Calentar con niveles de potencia más bajos .....	56
Uso de la tecla Pause (Pausa) .....	56
Agregar tiempo de cocción (Cook Time +30 Sec.) [Tiempo de cocción +30 segundos] .....	56
Programación de la función Defrost (by Weight) [Descongelar (por peso)] .....	57
Programación de Defrost (by Time) [Descongelar (por tiempo)] .....	57
Notas especiales para descongelar por tiempo .....	57
Consejos para descongelar .....	57
Sugerencias para descongelar carne .....	58
Niveles de potencia sugeridos para cocinar .....	58
Sugerencias para obtener los mejores resultados .....	59
<b>Función Sensor Cooking (Cocción por sensor)</b> .....	<b>61</b>
Frozen Entrees (Platillos congelados) .....	61
Función Potatoes (Papas) .....	61
Sensor Reheat (Recalentamiento por sensor) .....	62
Sugerencias para recalentar .....	62
Función Frozen Pizza (Pizza congelada) .....	63
Función Rice (Arroz) .....	63
Función Frozen Vegetables (Verduras congeladas) .....	63
Función Fresh Vegetables (Verduras frescas) .....	64



Función Ground Meat (Carne molida) .....	64
<b>Funcionamiento práctico .....</b>	<b>65</b>
Función Keep Warm (Mantener caliente) .....	65
Función Memory (Memoria) .....	65
Popcorn (Palomitas de maíz) .....	66
Función Beverages (Bebidas) .....	66
Sugerencias para la cocción práctica .....	67
Cocinar carne de res en su horno de microondas .....	67
Cocción de carne de ave en su horno de microondas .....	68
Cocción de huevos en su horno de microondas .....	68
Cocción de verduras en su horno de microondas .....	69
Cocción de mariscos en su horno de microondas .....	69
<b>Limpieza y mantenimiento .....</b>	<b>70</b>
<b>Limpieza .....</b>	<b>70</b>
Sugerencias para la limpieza .....	70
Limpieza de los filtros de escape .....	71
Cómo limpiar la rejilla de metal .....	71
<b>Mantenimiento .....</b>	<b>72</b>
Cambio del foco de superficie .....	72
Cambio del foco del horno .....	73
Cambio del filtro de carbón .....	75
<b>Servicio técnico .....</b>	<b>76</b>
Resolución de problemas .....	76
Servicio al Cliente .....	77
<b>DECLARACIÓN DE GARANTÍA LIMITADA DEL PRODUCTO .....</b>	<b>78</b>

# Seguridad



## Instrucciones de seguridad importantes

LEA Y GUARDE ESTAS INSTRUCCIONES



**AVISO:** Si no sigue la información de este manual exactamente, se puede ocasionar un incendio o una descarga eléctrica que puede causar daños materiales o lesiones personales.

**Al utilizar electrodomésticos, deben seguirse precauciones de seguridad básicas, que incluyen las siguientes:**



**AVISO:** Para reducir el riesgo de quemaduras, descarga eléctrica, incendio, lesiones a personas o exposición a una cantidad excesiva de energía de microondas:

Lea todas las instrucciones antes de usar el electrodoméstico.

Lea y siga las **PRECAUCIONES ESPECÍFICAS PARA EVITAR LA POSIBLE EXPOSICIÓN A UNA CANTIDAD EXCESIVA DE ENERGÍA DE MICROONDAS.**

Este electrodoméstico debe estar conectado a tierra. Conéctelo sólo a una toma de corriente conectada a tierra en forma adecuada (Consulte **INSTRUCCIONES DE CONEXIÓN A TIERRA**).

Instale o ubique este electrodoméstico únicamente de acuerdo con las instrucciones de instalación provistas.

Algunos productos, tales como huevos enteros con y sin cáscara, botellas de cuello estrecho y recipientes sellados (por ejemplo, tarros de vidrio cerrados) pueden explotar y no deben ser calentados en este horno.

Utilice este electrodoméstico sólo para su uso previsto, según se describe en este manual. No utilice productos químicos corrosivos, vapores ni productos no alimenticios en este electrodoméstico, ya que dañan el electrodoméstico y pueden causar fugas de radiación. Este tipo de horno está específicamente diseñado para calentar o cocinar alimentos. No está diseñado para uso industrial ni en laboratorios.

Al igual que con cualquier electrodoméstico, se requiere una estricta supervisión cuando los niños utilicen este electrodoméstico. (Consulte **SEGURIDAD DE LOS NIÑOS**)

No haga funcionar este electrodoméstico si tiene un cable o un enchufe dañados, si no funciona adecuadamente, ni si se ha dañado o se ha caído.

Este electrodoméstico debe recibir servicio técnico únicamente por parte de personal de servicio técnico calificado. Comuníquese con el centro de servicio técnico autorizado más cercano para solicitar que lo examinen, reparen o ajusten.

No cubra ni bloquee ninguna ventilación o abertura del electrodoméstico.

No deje este electrodoméstico a la intemperie. No use este producto cerca del agua, por ejemplo, cerca de un fregadero de cocina, en un sótano húmedo, una alberca ni en lugares similares.



# Instrucciones de seguridad importantes

LEA Y GUARDE ESTAS INSTRUCCIONES

No sumerja el cable ni el enchufe en agua.

Mantenga el cable alejado de las superficies calientes.

No permita que el cable cuelgue del borde de la mesa ni de la superficie de trabajo.

## Ya sea:

- Al limpiar las superficies de la puerta y del horno que se unen al cerrar la puerta, aplique únicamente jabones o detergentes suaves, no abrasivos, con una esponja o un paño suave.

## Para reducir el riesgo de incendio en la cavidad del horno:

- No cocine los alimentos excesivamente. Preste especial atención al electrodoméstico cuando coloque papel, plástico u otros materiales combustibles dentro del horno para facilitar la cocción.
- Retire los cierres de alambre de las bolsas de papel o plástico antes de colocarlas en el horno.
- Si los materiales que están dentro del horno se prenden fuego, mantenga cerrada la puerta del horno, apáguelo y desconecte el cable de alimentación o corte la alimentación eléctrica desde el panel de fusibles o el disyuntor.

## PRECAUCIONES PARA EVITAR LA POSIBLE EXPOSICIÓN A UNA CANTIDAD EXCESIVA DE ENERGÍA DE MICROONDAS

No intente hacer funcionar este horno con la puerta abierta, ya que el funcionamiento con la puerta abierta puede tener como consecuencia una exposición nociva a la energía de microondas. Es importante no anular ni interferir con los enclavamientos de seguridad.

No coloque ningún objeto entre el frente del horno y la puerta ni permita que se acumulen suciedad ni restos de limpiador en las superficies sellantes.

No haga funcionar el horno si está dañado. Es de particular importancia que la puerta del horno cierre correctamente y que no haya daños en:

- la puerta (doblada)
- las bisagras y las trabas (rotas o flojas)
- los sellos y las superficies sellantes de la puerta
- Ninguna persona debe ajustar ni reparar el horno a menos que se trate de personal de servicio técnico adecuadamente calificado. La instalación, el servicio técnico o el mantenimiento incorrectos pueden causar lesiones o daños materiales. Consulte este manual para su orientación. Remita todas las reparaciones a un centro de servicio técnico autorizado por la fábrica.

**Instrucciones para la conexión a tierra** Este electrodoméstico debe estar conectado a tierra. La conexión a tierra reduce el riesgo de descarga eléctrica proporcionando un cable de escape para la corriente eléctrica si se produce un cortocircuito eléctrico. Este horno viene equipado con un cable con un hilo de conexión a tierra y un enchufe para conexión a tierra. El enchufe debe colocarse en una toma de corriente que esté correctamente instalada y conectada a tierra.

Consulte **INSTRUCCIONES DE INSTALACIÓN**.

Consulte a un electricista o a un centro de servicio técnico calificado si no comprende la totalidad de las instrucciones de conexión a tierra o si tiene alguna duda respecto de si el horno está correctamente conectado a tierra.



# Instrucciones de seguridad importantes

LEA Y GUARDE ESTAS INSTRUCCIONES

No use un cable de extensión. Si el cable de alimentación del producto es demasiado corto, haga que un electricista calificado instale un receptáculo de tres ranuras. Este horno debe enchufarse en un circuito de 60 hertz por separado, con la capacidad eléctrica nominal que se muestra en la tabla de especificaciones. Cuando el horno está en un circuito con otro equipo, es posible que se requiera un aumento en los tiempos de cocción y que los fusibles se quemen.

El horno de microondas funciona con la corriente doméstica estándar; 110-120 V.

## Interferencia con la TV/radio

Este electrodoméstico genera y usa energía con frecuencia ISM. Si no se lo instala y utiliza correctamente, en estricto cumplimiento con las instrucciones del fabricante, puede causar interferencia con la recepción de la radio y la televisión. Su tipo ha sido probado, y se ha determinado que cumple con los límites para los equipos ISM, en virtud de la parte 18 de las normas de la Comisión Federal de Comunicaciones (Federal Communications Commission, FCC), destinadas a proporcionar una protección razonable contra dicha interferencia en una instalación residencial. Sin embargo, no se garantiza que no se producirán interferencias en una instalación en particular. Encienda el electrodoméstico y vuelva a apagarlo si causa interferencia. Intente alguna de las siguientes soluciones para corregir la interferencia:

- Limpie la puerta y la superficie sellante del horno.
- Cambie la orientación de la antena de recepción de la radio o la televisión.
- Cambie la ubicación del horno de microondas con respecto al receptor.
- Aleje el horno de microondas del receptor.
- Enchufe el horno de microondas en una toma de corriente diferente para que el horno de microondas y el receptor estén enchufados a circuitos derivados diferentes.

El fabricante no es responsable de ninguna interferencia de radio o televisión causada por modificaciones no autorizadas a este horno de microondas. Es responsabilidad del usuario corregir dicha interferencia.

## Uso previsto

Este electrodoméstico ha sido diseñado para el uso doméstico normal de una familia únicamente. No está aprobado para uso en exteriores, vehículos móviles, embarcaciones ni para uso comercial. Consulte la garantía. Si tiene alguna pregunta, comuníquese con el fabricante.

No use la cavidad del horno para guardar cosas. No deje productos de papel, utensilios de cocina ni alimentos dentro de la cavidad del horno cuando no esté en uso.

No haga funcionar el horno cuando la humedad ambiente sea excesiva.

Este horno es apto para usar tanto sobre equipos de cocina a gas como eléctricos de 36" (914 mm) de ancho o menos.



# Instrucciones de seguridad importantes

LEA Y GUARDE ESTAS INSTRUCCIONES

## Seguridad de los niños

No permita que los niños utilicen este electrodoméstico, a menos que sean supervisados de cerca por un adulto. Los niños y las mascotas no deben quedar solos o sin vigilancia en el área donde se utilice el electrodoméstico. Nunca se les debe permitir jugar cerca del electrodoméstico, independientemente de que esté en funcionamiento o no.

Cuando los niños tienen la edad adecuada para utilizar el electrodoméstico, es responsabilidad legal de los padres o tutores legales asegurarse de que reciban las instrucciones sobre prácticas seguras por parte de personas calificadas.

No permita que nadie se suba, pare, incline, sienta o cuelgue de ninguna parte de un electrodoméstico. Esto puede dañar el electrodoméstico y, posiblemente, causar lesiones graves.

## Seguridad en la limpieza

Limpie los filtros del escape con frecuencia: no permita que se acumule grasa en la campana ni en los filtros. Se pueden producir incendios.

Sea cuidadoso al limpiar los filtros del escape. Los agentes de limpieza corrosivos, como limpiadores para hornos a base de lejía, pueden dañar el filtro (consulte la sección **LIMPIEZA** de este manual).

Limpie con frecuencia el lugar donde se apoyan los rodillos de la bandeja giratoria y el piso del horno para evitar ruidos excesivos.

## Seguridad al cocinar



**ATENCIÓN:** Para evitar lesiones personales o daños materiales, siga estas indicaciones:

No deje el horno sin supervisión mientras esté en uso.

No almacene materiales inflamables cerca del horno ni dentro de él.

Al flamear alimentos debajo del horno de microondas, encienda siempre el ventilador.

No haga funcionar el horno mientras está vacío. Esto podría dañar el horno y provocar un incendio.

No almacene ni utilice productos químicos corrosivos, vapores, materiales inflamables ni productos no alimenticios dentro de este electrodoméstico ni cerca de él. Está específicamente diseñado para calentar o cocinar alimentos. El uso de productos químicos corrosivos al calentar o limpiar dañará el electrodoméstico y podría causar lesiones.

No seque ropa, periódicos ni otros materiales en el horno. No use periódicos ni bolsas de papel para cocinar. Se pueden producir incendios.

No use productos de papel reciclado a menos que su etiqueta indique que son aptos para usar en horno de microondas. Pueden contener impurezas que pueden generar chispas y provocar incendios.

## En caso de incendio

Si los materiales dentro del horno se prenden fuego:

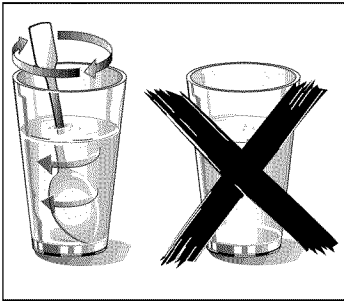
1. Mantenga la puerta cerrada.
2. Apague el electrodoméstico.
3. Desenchufe el electrodoméstico o corte la alimentación eléctrica desde el panel de fusibles o el disyuntor.



# Instrucciones de seguridad importantes

LEA Y GUARDE ESTAS INSTRUCCIONES

## Líquidos



Los líquidos, tales como el agua, el café o el té, pueden calentarse excesivamente. Pueden calentarse hasta pasar el punto de ebullición, sin que parezca que están hirviendo. Por ejemplo, no siempre se observan burbujas ni borbotones al retirar el recipiente del horno de microondas. **ESTO PUEDE HACER QUE ESTOS LÍQUIDOS MUY CALIENTES HIERVAN Y SE DESBORDEN REPENTINAMENTE AL MOVER EL RECIPIENTE O COLOCAR UN UTENSILIO DENTRO DEL LÍQUIDO.**

### Para reducir el riesgo de lesiones a personas:

- No caliente el líquido excesivamente.
- Revuelva el líquido antes de calentarlo y a mitad del proceso.
- Sea muy cuidadoso al insertar una cuchara u otro utensilio en el recipiente.
- No use recipientes de lados rectos con cuellos estrechos.
- Después de calentarlo, deje reposar el recipiente en el horno de microondas durante un breve período antes de retirarlo.

## Huevos

No cocine ni recaliente huevos enteros, con o sin cáscara. La acumulación de vapor en los huevos enteros puede hacer que exploten y, posiblemente, dañen el horno o provoquen una lesión. Puede recalentar huevos duros rebanados y cocinar huevos **revueltos**.

## Palomitas de maíz

Use sólo palomitas de maíz en envases diseñados y etiquetados para uso en horno de microondas, o prepárelas en un recipiente para palomitas de maíz apto para horno de microondas. Siga las indicaciones de los fabricantes de palomitas de maíz y use una marca apta para el vataje de su horno. No siga calentando después de que las palomitas de maíz hayan terminado de reventar. Las palomitas de maíz se chamuscarán o quemarán. No deje el horno sin supervisión.



**ATTENCION:** Al usar palomitas de maíz preenvasadas para microondas, verifique el peso del envase antes de usar el botón para palomitas de maíz. Programe el horno para el peso indicado en el envase de palomitas de maíz. Si no sigue estas instrucciones, es probable que las palomitas de maíz no revienten correctamente, o pueden prenderse fuego y provocar un incendio.

## Alimentos con piel no porosa

Algunos ejemplos de alimentos con piel no porosa son: papas, tomates, manzanas, calabazas enteras y salchichas. Debe pinchar estos tipos de alimentos antes de cocinarlos para evitar que exploten.

## Fórmula para bebés/alimento para bebés

No caliente biberones ni alimentos para bebés en el horno de microondas. El recipiente de vidrio o la superficie de los alimentos pueden parecer tibios, mientras que el interior puede quemar la boca y el esófago del niño.



# Instrucciones de seguridad importantes

LEA Y GUARDE ESTAS INSTRUCCIONES

## Freír en aceite abundante

No fría en aceite abundante en el horno. En un horno de microondas, el aceite puede calentarse muy rápidamente y superar las temperaturas ideales. Las temperaturas pueden aumentar lo suficiente como para que los aceites para cocinar alcancen sus puntos de inflamación respectivos y se prendan fuego. El aceite caliente puede producir burbujas y salpicar, lo que puede causar posibles daños al horno, y quizás, quemaduras. Además, es probable que los utensilios aptos para microondas no soporten la temperatura del aceite caliente, ya que se pueden romper, incluso si tienen una mínima imperfección, rayón o están descascarados.

## Enlatado casero / deshidratación de alimentos / pequeñas cantidades de alimentos

No use su horno de microondas para calentar enlatados caseros ni para calentar tarros cerrados. Esto hace que la presión se acumule, y es posible que explote el tarro. Además, el horno no puede mantener los alimentos a la temperatura adecuada del enlatado. Los alimentos mal enlatados se pueden echar a perder, y consumirlos puede ser peligroso.

Las pequeñas cantidades de alimentos o los alimentos con bajo contenido de humedad pueden secarse, quemarse o incendiarse.

No deshidrate carnes, hierbas, frutas ni verduras en su horno.

Una cocción correcta depende de la programación del tiempo y del peso de los alimentos. Se puede producir un incendio si usa una porción más pequeña que la recomendada y la cocina durante el tiempo de la porción recomendada.

## Utensilios de cocina

Consulte también **la guía de utensilios para horno de microondas**.

Los utensilios de cocina, la charola de vidrio y la rejilla de metal se calientan durante el funcionamiento del horno de microondas. Siempre use agarradores al retirar los elementos del horno. Deje que la charola de vidrio y la rejilla de metal (si se utiliza) se enfríen antes de manipularlas.

No use utensilios de metal ni recipientes con bordes de metal en el horno.

Al utilizar papel de aluminio en el horno, deje, al menos, 1" (25.4 mm) de espacio entre el papel de aluminio y las paredes interiores o la puerta del horno.

La charola de vidrio y la rejilla de metal (si se utiliza) se calentarán durante la cocción. El recipiente para cocinar y la charola de vidrio pueden estar calientes aun cuando el horno esté frío.

Nunca use papel, plástico ni otros materiales combustibles que no hayan sido diseñados para cocinar.

Al cocinar con papel, plástico u otros materiales combustibles, siga las recomendaciones del fabricante sobre el uso del producto.

No use toallas de papel que contengan nylon o fibras sintéticas. Las fibras sintéticas calientes pueden derretirse y hacer que el papel se prenda fuego.

No caliente recipientes sellados con calor ni bolsas de plástico en el horno. Los alimentos o el líquido podrían expandirse rápidamente y hacer que el recipiente o la bolsa se rompa. Perfore o abra el recipiente o la bolsa antes de cocinar.



# Instrucciones de seguridad importantes

LEA Y GUARDE ESTAS INSTRUCCIONES

## Recipientes para dorar/bolsas para cocinar en horno

Los recipientes o parrillas para dorar en horno de microondas están diseñados para cocinar únicamente en horno de microondas. Los tiempos de precalentamiento varían según el tamaño del recipiente para dorar y los alimentos que se van a cocinar. Siempre siga las instrucciones proporcionadas por el fabricante del recipiente o de la parrilla para dorar. No precaliente los recipientes para dorar más de 6 minutos.

Si se usa una bolsa para cocinar en horno de microondas, prepárela según las indicaciones del envase. No use cierres de alambre para cerrar las bolsas; en su lugar, use cierres de nylon, cordones de algodón o una tira cortada del extremo abierto de la bolsa. Haga seis cortes de ½" (12.7 mm) cerca del cierre. Coloque la bolsa para cocinar en horno en un recipiente un poco más grande que los alimentos que se van a cocinar.

## Charola de vidrio/anillo de la bandeja giratoria

No haga funcionar el horno sin el anillo de la bandeja giratoria y la charola de vidrio en su lugar.

No opere el horno sin colocar la charola de vidrio en su lugar. De lo contrario, se pueden producir una cocción inadecuada o daños al horno. Verifique que la charola de vidrio esté bien colocada y que gire cuando el horno está en uso.

**Advertencia:** La charola de vidrio puede girar en cualquiera de las dos direcciones.

Use únicamente la charola de vidrio diseñada para este horno. No la reemplace por ninguna otra charola.

Deje que la charola de vidrio se enfríe antes de limpiarla o colocarla en agua.

No coloque los alimentos directamente en la charola de vidrio. Siempre coloque los alimentos en un recipiente apto para horno de microondas.

Siempre vuelva a colocar el anillo de la bandeja giratoria y la charola de vidrio en sus posiciones correctas.

Siempre debe usarse el anillo de la bandeja giratoria para cocinar junto con la charola de vidrio.

## Rejilla de metal



### **ATTENCION: Para evitar riesgos de daños materiales:**

- No utilice la rejilla para preparar palomitas de maíz.
- Cuando se usa la rejilla, esta debe estar sobre los cuatro soportes de plástico.
- Utilice la rejilla únicamente al cocinar alimentos en dos posiciones.
- No cocine con la rejilla en el piso del horno de microondas.
- Es posible que la rejilla se caliente durante el funcionamiento del horno de microondas. Deje que la rejilla se enfríe antes de manipularla.





# Instrucciones de seguridad importantes

LEA Y GUARDE ESTAS INSTRUCCIONES

## Funcionamiento del motor del ventilador

Luego de usar el horno, el motor del ventilador puede girar para enfriar los componentes eléctricos. Esto es perfectamente normal, y se pueden retirar los alimentos del horno mientras el ventilador está funcionando.

## Ventilación de ambiente con filtro de carbón

El filtro de carbón vegetal, que se incluyó con su horno de microondas, absorbe las sustancias olorosas.

**Advertencia:** Si no hay un filtro de carbón vegetal instalado, no se absorberán las sustancias olorosas de los vapores de cocción.

## Operación en modo de escape

Cuando se utiliza el horno de microondas en modo de escape simultáneamente con una hornilla diferente, se debe asegurar que haya un suministro de aire fresco suficiente, que será necesario para la combustión en la hornilla.



**ATTENCION:** Evite la intoxicación por monóxido de carbono: proporcione una entrada de aire suficiente para que los gases de la combustión no vuelvan a ingresar a la habitación.

## Termómetros

No use termómetros de cocina comunes en el horno. La mayoría de los termómetros de cocina contienen mercurio y pueden causar arcos eléctricos, mal funcionamiento o daños al horno.

## Marcapasos

Para evitar el mal funcionamiento de un marcapasos, consulte con el médico o el fabricante del marcapasos acerca de los efectos de la energía de microondas en el marcapasos.

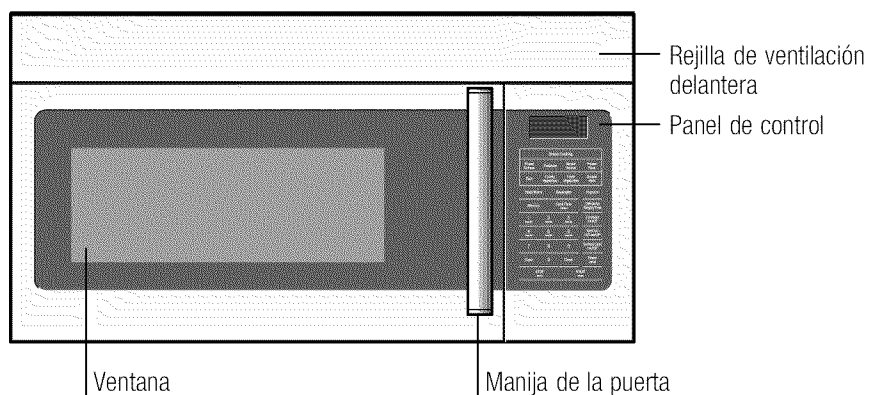
## Guía de utensilios para horno de microondas

Use	No use
<p><b>Vidrio apto para uso en hornos (tratado específicamente para soportar altas temperaturas):</b></p> <p>Recipientes para usos múltiples, recipientes para pan de carne, moldes para pie, moldes para pasteles, tazas para medir líquidos, cacerolas y bols sin bordes de metal.</p>	<p><b>Utensilios de metal:</b></p> <p>El metal protege los alimentos de la energía de microondas y produce una cocción irregular. Asimismo, evite usar brochetas de metal, termómetros o charolas de papel de aluminio. Los utensilios de metal pueden provocar arcos eléctricos, lo que puede dañar su horno de microondas.</p>
<p><b>Porcelana:</b></p> <p>Bols, tazas, bandejas y fuentes para servir sin bordes de metal.</p>	<p><b>Decoración de metal:</b></p> <p>Bols, tazas, platos y fuentes para servir sin bordes de metal.</p>
<p><b>Plástico:</b></p> <p>Envoltura de plástico (como cubierta): coloque la envoltura de plástico holgadamente sobre el recipiente y presiónela hacia los lados. Ventile la envoltura de plástico girando ligeramente hacia atrás un borde para permitir que salga el vapor excedente. El recipiente debe tener la profundidad suficiente para que la envoltura de plástico no entre en contacto con los alimentos. Use platos, tazas, recipientes semirrígidos para el congelador de plástico y bolsas de plástico para tiempos de cocción cortos. Úselos con cuidado porque el plástico puede ablandarse debido al calor de los alimentos.</p>	<p>Papel de aluminio:</p> <p>Evite usar placas grandes de papel de aluminio, ya que dificultan la cocción y pueden provocar arcos eléctricos perjudiciales. Use trozos pequeños de papel de aluminio para cubrir las patas y las alas de las aves. Mantenga TODO el papel de aluminio a una distancia de, al menos, 1 pulgada de las paredes laterales de la cavidad del horno y la puerta del horno de microondas.</p>
<p><b>Papel:</b></p> <p>Toallas de papel, papel encerado, servilletas de papel y platos de papel sin bordes ni diseños de metal. Busque en la etiqueta del fabricante cualquier instrucción especial para uso en el horno de microondas.</p>	<p><b>Madera:</b></p> <p>Los bols y las tablas de madera se secan y pueden quebrarse o agrietarse al usarlos en el horno de microondas. Las canastas de madera reaccionan de la misma manera.</p>
	<p><b>Utensilios con tapa hermética:</b></p> <p>Asegúrese de dejar aberturas para permitir que salga el vapor de los recipientes para cocinar con tapa. Perfore bolsas de plástico de verduras u otros alimentos antes de cocinarlos. Las bolsas cerradas herméticamente pueden explotar.</p>
	<p><b>Papel de estraza:</b></p> <p>Evite usar bolsas de papel de estraza. Absorben calor y pueden quemarse.</p>
	<p><b>Utensilios para cocinar defectuosos o descascarados:</b></p> <p>Cualquier utensilio agrietado, defectuoso o descascarado puede romperse en el horno.</p>
	<p><b>Cierres de alambre:</b></p> <p>Retire los cierres de alambre de las bolsas de plástico o de papel. Se calientan y pueden provocar un incendio.</p>

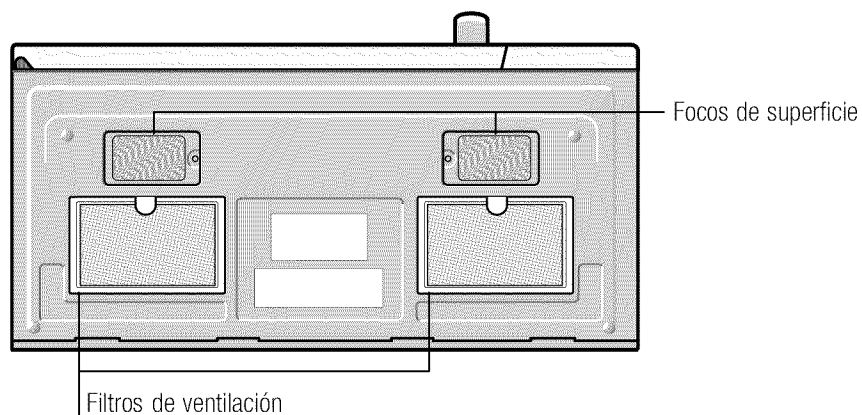
# Cómo comenzar

## Descripción general del horno de microondas

Vista frontal



Vista inferior

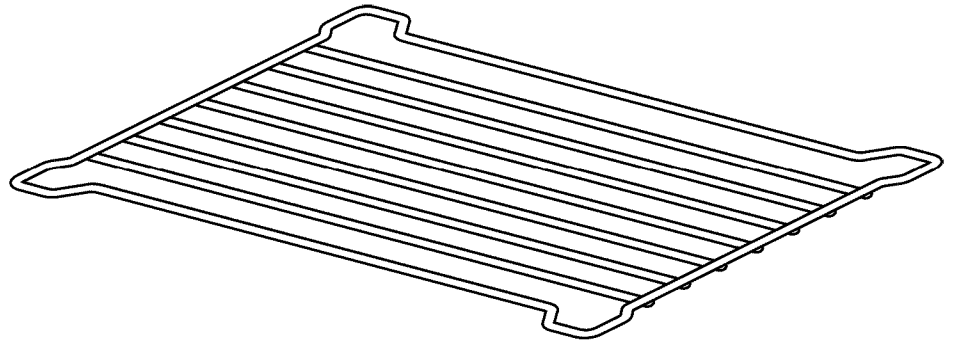


## Especificaciones del horno

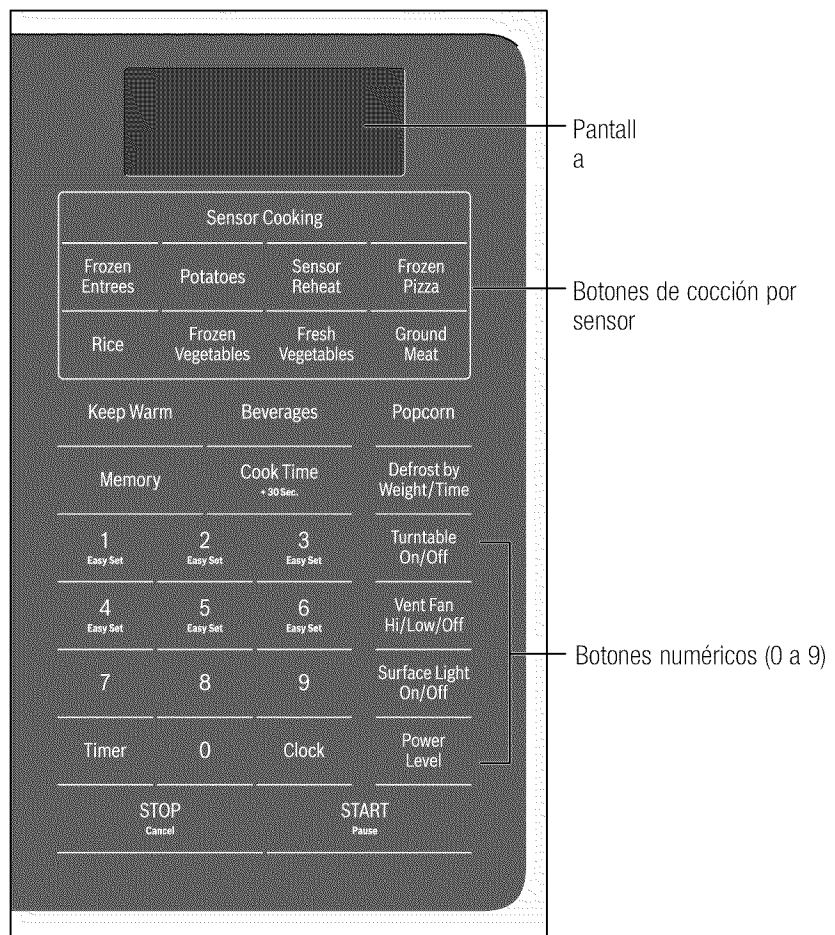
Alimentación eléctrica	120 V AC, 60 Hz
Potencia de entrada	1.550 W
Potencia de cocción	1.000 W
Frecuencia	2.450 MHz
Volumen de la cavidad	1.7 pies cúbicos (48 l)
Peso neto	57.3 lb (26 kg)

## Accesorios

Rejilla de metal



## Panel de control



# Operación

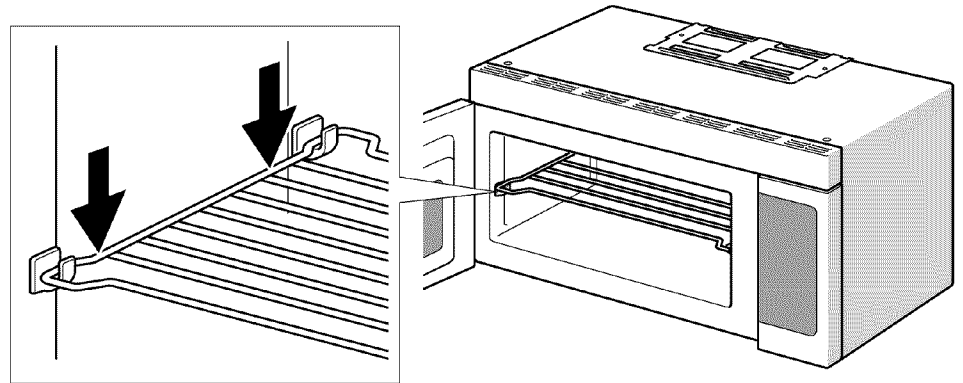
## Operación manual

### Cómo usar la rejilla de metal

La rejilla de metal le brinda espacio adicional al cocinar en más de un recipiente al mismo tiempo.

#### Para usar la rejilla de metal:

1. Coloque la rejilla firmemente en los cuatro soportes de plástico.



**Advertencia:** La rejilla no debe tocar las paredes de metal ni la parte posterior del horno de microondas.

2. Coloque la misma cantidad de alimentos encima y debajo de la rejilla.

**Advertencia:** La cantidad de alimentos debe ser aproximadamente la misma en ambos recipientes para equilibrar la energía de cocción.



#### **ATENCIÓN: Para evitar riesgos de daños materiales:**

- No utilice la rejilla para preparar palomitas de maíz.
- Cuando se usa la rejilla, esta debe estar sobre los cuatro soportes de plástico.
- Utilice la rejilla únicamente al cocinar alimentos en dos posiciones.
- No cocine con la rejilla en el piso del horno de microondas.
- Es posible que la rejilla se caliente durante el funcionamiento del horno de microondas. Deje que la rejilla se enfríe antes de manipularla.

## Programación del reloj

### Ejemplo: programación de la pantalla de reloj para las 9:00:

1. Presione el botón **Clock** (Reloj) una o dos veces para seleccionar AM o PM.
2. Ingrese la hora con los botones numéricos.
3. Presione el botón **Clock** (Reloj) nuevamente.

## Programación del temporizador

### Ejemplo: programación del temporizador para 5 minutos:

1. Presione el botón **Timer** (Temporizador) una vez.
2. Ingrese el tiempo deseado con los botones numéricos.
3. Presione el botón **Timer** (Temporizador).

Cuando el temporizador haya llegado al final del tiempo programado, aparecerá **FF** en la pantalla y se escucharán alertas de bip permanentes que indican que se ha detenido el temporizador.

Para detener el bip, presione el botón **Timer** (Temporizador) o el botón **STOP** (DETENER).

## Vent Fan Hi/Low/Off (Ventilador alto/bajo/apagado)

La ventilación del escape mueve el vapor y otros vapores de cocción de la superficie de cocción de la estufa debajo del horno de microondas.

Para operar la ventilación del escape, presione el botón **Vent Fan Hi/Low/Off** (Ventilador alto/bajo/apagado) una vez para programar la velocidad más alta. Presione el botón nuevamente para elegir la programación de velocidad baja y una tercera vez para apagar la ventilación.

**Advertencia:** Si la temperatura sube demasiado cerca del horno de microondas, el ventilador de la campana de ventilación del escape se encenderá automáticamente en la programación LOW (BAJA) para enfriar el horno. El ventilador se apagará automáticamente cuando las piezas internas se enfríen. Cuando esto sucede, no se puede apagar la ventilación.

## Surface Light On/Off (Luz de superficie encendida/apagada)

Presione el botón **Surface Light/On/Off** (Luz de superficie encendida/apagada) una vez para encender la superficie de cocción. Presione el botón nuevamente para apagar la luz.

## Turntable On/Off (Bandeja giratoria encendida/apagada)

La función Turntable On/Off (Bandeja giratoria encendida/apagada) sólo puede programarse cuando el horno de microondas haya comenzado a funcionar.

Para obtener los mejores resultados de cocción, deje la bandeja giratoria encendida. Puede apagarse para cocinar platos grandes.

Para apagar la bandeja giratoria, presione el botón **Turntable On/Off** (Bandeja giratoria encendida/apagada) una vez. Presione el botón nuevamente para encender la bandeja giratoria.

**Advertencia:** En ocasiones, la bandeja giratoria puede calentarse. Tenga cuidado al tocar la bandeja giratoria durante la cocción y después de esta. No haga funcionar el horno mientras está vacío.

## Control Lock (Bloquear control)

Puede bloquear el panel de control para evitar que los niños enciendan accidentalmente el horno de microondas o lo utilicen.

La función Control Lock (Bloquear control) es muy útil al limpiar el panel de control. El bloqueo evitará la programación accidental al limpiar el panel de control.

### Ejemplo: para ACTIVAR la función Control Lock (Bloquear control):

Presione el botón **Stop/Cancel** (Detener/Cancelar) y manténgalo presionado durante más de 3 segundos. El icono Lock (Bloquear) aparecerá en la ventana de la pantalla, y se emitirán 2 bips.

### Ejemplo: para DESACTIVAR la función Control Lock (Bloquear control):

Presione el botón **Stop/Cancel** (Detener/Cancelar) y manténgalo presionado durante más de 5 segundos. El icono Lock (Bloquear) desaparecerá en la ventana de la pantalla.

## Uso de EasySet (Programación fácil)

Se puede programar el horno de microondas para calentar o cocinar rápidamente, al 100% del nivel de potencia, durante 1, 2, 3, 4, 5 ó 6 minutos. Use las teclas numéricas 1 a 6 para elegir los minutos deseados del tiempo de cocción (esta opción funcionará únicamente con los botones numéricos 1, 2, 3, 4, 5 y 6):

### Ejemplo: para calentar rápidamente durante 2 minutos al 100% de potencia:

Presione el botón numérico 2 para ingresar 2 minutos de tiempo de cocción.

## Calentar en varias etapas de cocción

Para obtener mejores resultados, algunas recetas para cocinar con horno de microondas necesitan diferentes niveles de potencia o diferentes tiempos para cocinar. Su horno de microondas puede programarse para pasar de una etapa a la otra automáticamente (2 etapas como máximo).

### Ejemplo: para cocinar alimentos durante 3 minutos al 80% de potencia y, luego, al 50% de potencia durante 6 minutos y 30 segundos:

1. Presione **Cook Time** (Tiempo de cocción).
2. Use los botones numéricos para ingresar el tiempo de calentamiento para la 1.a etapa (el tiempo de cocción puede programarse hasta 99 minutos y 99 segundos).
3. Presione el botón **Power Level** (Nivel de potencia) una vez.
4. Use las teclas numéricas para ingresar el nivel de potencia para la 1.a etapa. **PL8** aparecerá en la pantalla (80% de potencia).
5. Presione el botón **Cook Time** (Tiempo de cocción) para la 2.a etapa.
6. Use los botones numéricos para ingresar el tiempo de calentamiento para la 2.a etapa (el tiempo de cocción puede programarse hasta 99 minutos y 99 segundos).
7. Presione el botón **Power Level** (Nivel de potencia) para la 2.a etapa.
8. Use la tecla numérica para ingresar el nivel de potencia para la 2.a etapa. **PL5** aparecerá en la pantalla (50% de potencia).
9. Presione el botón **START** (INICIAR).

Cuando el tiempo de calentamiento haya finalizado, escuchará 5 bips, y aparecerá la palabra "Good" (Listo) en la pantalla.

Presione el botón **STOP** (DETENER) o abra la puerta.

## Calentar con nivel de potencia alto

**Ejemplo: para calentar rápidamente durante 5 minutos al 100% de potencia:**

1. Presione el botón **Cook Time** (Tiempo de cocción).
2. Use los botones numéricos para ingresar el tiempo de calentamiento deseado (el tiempo de cocción puede programarse hasta 99 minutos y 99 segundos).
3. Presione el botón **START** (INICIAR).

Cuando el tiempo de calentamiento haya finalizado, escuchará 5 bips, y aparecerá la palabra "Good" (Listo) en la pantalla.

Presione el botón **STOP** (DETENER) o abra la puerta.

## Calentar con niveles de potencia más bajos

Usar el nivel de potencia más alto para calentar alimentos no siempre da los mejores resultados si algunos tipos de alimentos requieren una cocción más lenta, como carne asada, alimentos horneados o natillas. Su horno tiene otros nueve niveles de potencia para que usted elija.

**Ejemplo: para calentar durante 4 minutos al 70% de potencia:**

1. Presione **Cook Time** (Tiempo de cocción).
2. Use los botones numéricos para ingresar el tiempo de calentamiento deseado (el tiempo de cocción puede programarse hasta 99 minutos y 99 segundos).
3. Presione el botón **Power Level** (Nivel de potencia) para programar el nivel de potencia (10 = 100% de potencia).
4. Use la tecla numérica para cambiar el nivel de potencia a 7. **PL7** aparecerá en la pantalla (70% de potencia).
5. Presione el botón **START** (INICIAR).

Cuando el tiempo de calentamiento haya finalizado, escuchará 5 bips, y aparecerá la palabra "Good" (Listo) en la pantalla.

Presione el botón **STOP** (DETENER) o abra la puerta.

## Uso de la tecla Pause (Pausa)

Si en algún momento su receta para cocinar con horno de microondas requiere dar vuelta los alimentos o detener el horno de microondas durante el proceso de cocción, puede hacerlo después de iniciar la cocción en el horno de microondas con el botón **START/Pause** (INICIAR/Pausa).

**Ejemplo: para interrumpir el horno de microondas durante la cocción:**

1. Presione el botón **START/Pause** (INICIAR/Pausa) una vez.
2. Presione el botón **START/Pause** (INICIAR/Pausa) nuevamente para reanudar la cocción.

## Agregar tiempo de cocción (Cook Time +30 Sec.) [Tiempo de cocción +30 segundos]

Esta función de ahorro de tiempo le permitirá agregar 30 segundos rápidamente a cualquier tiempo de cocción. Esta función puede ser utilizada únicamente durante la cocción y con el tiempo de cocción restante. Cada vez que presione este botón, se agregarán 30 segundos al tiempo de cocción.

**Ejemplo: para agregar 1 minuto al tiempo de cocción al nivel de potencia de 100%:**

Presione el botón **Cook Time +30 Sec.** (Tiempo de cocción +30 segundos) dos veces.



## Programación de la función Defrost (by Weight) [Descongelar (por peso)]

**Ejemplo: para descongelar 1 lb (454 g) de alimento con el nivel de potencia predeterminado y con el tiempo de cocción determinado automáticamente:**

1. Presione el botón **Defrost** (Descongelar) una vez. Aparecerá 0.0 en la pantalla.
2. Use los botones numéricos para ingresar el peso de los alimentos que se van a descongelar, en libras (10 = 1 lb). Puede ingresar cualquier peso entre 0.1 y 6.0 lb.
3. Presione el botón **START** (INICIAR).

Cuando el tiempo de descongelamiento haya finalizado, escuchará 5 bips, y aparecerá la palabra "Good" (Listo) en la pantalla.

Presione el botón **STOP** (DETENER) o abra la puerta.

**Advertencia:** Una entrada de peso válida es de entre 0.1 y 6.0 libras. No pueden ingresarse otros pesos.

## Programación de Defrost (by Time) [Descongelar (por tiempo)]

**Ejemplo: para descongelar alimentos al 30% del nivel de potencia predeterminado durante 5 minutos:**

1. Presione el botón **Defrost** (Descongelar) dos veces. Aparecerá 0:00 en la pantalla.
2. Use los botones numéricos para ingresar el tiempo de descongelamiento deseado (el tiempo de descongelamiento puede programarse hasta 99 minutos y 99 segundos).
3. Presione el botón **START** (INICIAR).

Cuando el tiempo de calentamiento haya finalizado, escuchará 5 bips, y aparecerá la palabra "Good" (Listo) en la pantalla.

Presione el botón **STOP** (DETENER) o abra la puerta.

**Advertencia:** Los niveles de potencia no pueden cambiarse ni en descongelamiento (por peso) ni en descongelamiento (por tiempo), dado que los resultados de descongelamiento se verán afectados en forma adversa.

## Notas especiales para descongelar por tiempo

- Después de presionar la tecla START/Pause (INICIAR/Pausa), la pantalla hará una cuenta regresiva del tiempo de descongelamiento restante. El horno emitirá un bip dos veces durante el ciclo de descongelamiento. En este momento, abra la puerta y dé vuelta los alimentos, si es necesario, y retire cualquier parte que ya se haya descongelado. Presione la tecla START/Pause (INICIAR/Pausa) para reanudar el ciclo de descongelamiento.
- Cuando el tiempo de calentamiento haya finalizado, escuchará 5 bips.

## Consejos para descongelar

- Al usar la función de descongelamiento por peso, el peso ingresado debe estar siempre en libras (las entradas válidas son de entre 0.1 y 6.0 libras).
- Use tanto la función de descongelamiento por peso como la de descongelamiento por tiempo para alimentos crudos únicamente. El descongelamiento tiene mejores resultados cuando los alimentos que serán descongelados tienen una temperatura mínima de 0 °F (sacados directamente de un congelador real). Si los alimentos se guardaron en un refrigerador-congelador que no mantiene una temperatura de 5 °F o menos, programe siempre un peso de alimentos más bajo o un tiempo de cocción más bajo para evitar que los alimentos se cocinen.

- Si los alimentos congelados se dejan fuera del congelador durante 20 minutos como máximo, ingrese un tiempo de cocción o peso menor.
- La forma del paquete alterará el tiempo de descongelamiento. Los paquetes de alimentos poco profundos y rectangulares se descongelan más rápidamente que un bloque de alimentos congelados profundo.
- Separe los trozos que comiencen a descongelarse. Los trozos de alimentos congelados que se separan se descongelan mejor.
- Cubra las áreas tibias de los alimentos con pequeños trozos de papel de aluminio si comienzan a calentarse.
- Puede utilizar pequeños trozos de papel de aluminio para cubrir alimentos como las alas y las puntas de las patas de pollo y las colas de pescado, pero no deje que el papel de aluminio toque las paredes de la cavidad del horno durante el descongelamiento.

## Sugerencias para descongelar carne

Para obtener los mejores resultados, lea estas sugerencias para descongelar carne.

Carne	Cantidad normal	Sugerencias
Carne de res o cerdo asada	Entre 2.5 y 6 lb (entre 40 y 96 oz)	Comience con los alimentos colocados con el lado graso hacia abajo. Después de cada etapa, dé vuelta los alimentos y cubra cualquier parte tibia con tiras angostas de papel de aluminio. Deje reposar los alimentos, cubiertos, entre 15 y 30 minutos.
Bistecs, chuletas o pescado	Entre 0.5 y 3 lb (entre 8 y 48 oz)	Después de cada etapa, reacomode los alimentos. Si hay alguna parte de los alimentos tibia o descongelada, cúbrala con trozos angostos y lisos de papel de aluminio. Retire cualquier trozo de alimento que esté prácticamente descongelado. Deje reposar los alimentos, cubiertos, aproximadamente entre 5 y 10 minutos.
Carne molida	Entre 0.5 y 3 lb (entre 8 y 48 oz)	Después de cada etapa, retire cualquier trozo de alimento que esté prácticamente descongelado. Deje reposar los alimentos, cubiertos con papel de aluminio, entre 5 y 10 minutos.
Pollo entero	Entre 2.5 y 6 lb (entre 40 y 96 oz)	Retire las menudencias antes de congelar aves. Comience a descongelar con la pechuga hacia abajo. Después de la 1.ª etapa, dé vuelta el pollo y cubra cualquier parte tibia con tiras angostas de papel de aluminio. Después de la 2.ª etapa, cubra nuevamente cualquier parte tibia con tiras angostas de papel de aluminio. Deje reposar los alimentos, cubiertos, entre 30 y 60 minutos en el refrigerador.
Trozos de pollo	Entre 0.5 y 3 lb (entre 8 y 48 oz)	Después de cada etapa, reacomode o retire cualquier trozo de alimento que esté casi descongelado. Deje reposar los alimentos entre 10 y 20 minutos.

## Niveles de potencia sugeridos para cocinar

Los 10 niveles de potencia disponibles en este horno de microondas le ayudarán a elegir la potencia que mejor se adapte al tipo de alimento que esté preparando. Al igual que con la preparación de cualquier alimento en el horno de microondas, lo ideal es seguir las instrucciones para horno de microondas impresas en el envase del alimento.

La siguiente tabla proporciona los niveles de potencia sugeridos para diversos tipos de alimentos que puede preparar en el horno de microondas.

## Sugerencias para obtener los mejores resultados

Para ayudarle a obtener los mejores resultados posibles de su horno de microondas, lea las siguientes sugerencias que figuran a continuación:

- **Temperatura de almacenamiento**  
Los alimentos que se sacan del congelador o refrigerador demoran más en cocinarse que los mismos alimentos que están a temperatura ambiente.
- **Tamaño**  
Los trozos pequeños de alimentos se cocinan más rápido que los trozos más grandes. Los trozos de tamaño y forma similares se cocinan en forma más pareja al cocinarse juntos. Para obtener resultados más parejos, reduzca los niveles de potencia al cocinar trozos grandes de alimentos.
- **Humedad natural**  
Los alimentos muy húmedos se cocinan en forma más pareja porque la energía de microondas calienta las moléculas de agua en forma muy eficaz.
- **Revolver**  
Revuelva los alimentos, como guisos y verduras desde afuera hacia adentro para distribuir el calor en forma más pareja. Esto permite que el alimento se cocine más rápido. No es necesario revolver constantemente.
- **Dar vuelta los alimentos**  
Dé vuelta los alimentos como chuletas de cerdo, carnes asadas o coliflor entero a la mitad del tiempo de cocción. Esto permitirá que todos los lados queden expuestos en forma pareja a la energía de microondas.
- **Colocación de los alimentos**  
Coloque las áreas delicadas de los alimentos, como puntas de espárragos, hacia el centro de la bandeja giratoria.
- **Disposición de los alimentos**  
Disponga alimentos de formas desparejas, como trozos de pollo o salmón, con las partes más gruesas o carnosas hacia afuera de la bandeja giratoria.
- **Dejar reposar los alimentos**  
Al retirar los alimentos del horno de microondas, cúbralos con papel de aluminio o una tapa de cacerola y déjelos reposar para que terminen de cocinarse. Esto permitirá que el alimento se cocine en el centro y evitará el exceso de cocción en los bordes. El tiempo de reposo depende de la densidad y la superficie de los alimentos.
- **Envolver los alimentos en toallas de papel o papel encerado**  
Los sándwiches y muchos otros tipos de alimentos que contienen pan prehecho deben envolverse antes de colocarse en el horno de microondas para evitar que se sequen al calentarse.

<b>Nivel de potencia</b>	<b>Salida de microondas</b>	<b>Usar para:</b>
10 Alta	100%	Hervir agua Cocinar carne de res molida Preparar dulces Cocinar frutas y verduras frescas Cocinar carne de pescado y ave Precalentar recipientes para dorar Recalentar bebidas Cocinar rebanadas de tocino
9	90%	Recalentar rebanadas de carne rápidamente Saltar cebollas, apio y pimientos verdes
8	80%	Recalentar en general Cocinar huevos revueltos
7	70%	Cocinar panes y productos con cereales Cocinar platos con queso y ternera Pasteles, muffins, brownies y mantecadas Cocinar un ave entera
6	60%	Cocinar pasta
5	50%	Cocinar carne de res Cocinar natilla Cocinar costillas, costillar asado y solomillo asado
4	40%	Cocinar cortes de carne de res menos tiernos Recalentar alimentos envasados congelados
3	30%	Descongelar carne de res, ave y mariscos Cocinar pequeñas cantidades de alimentos Terminar de cocinar guisos, estofados y algunas salsas
2	20%	Ablandar mantequilla y queso crema Calentar pequeñas cantidades de alimentos
1	10%	Ablandar helado Hacer leudar masa de levadura

# Función Sensor Cooking (Cocción por sensor)

La función Sensor Cooking (Cocción por sensor) le permite cocinar la mayoría de sus alimentos favoritos sin seleccionar tiempos de cocción ni niveles de potencia. El horno de microondas determina automáticamente el tiempo de cocción requerido para cada alimento. La pantalla indicará **SC** (Sensor cooking) junto con el número de programa durante el tiempo de sensor. Cuando el sensor interno detecta una determinada cantidad de humedad que sale de los alimentos, le indica al horno durante cuánto tiempo más debe calentar. La pantalla mostrará el tiempo de calentamiento restante. Para obtener los mejores resultados al cocinar por sensor, siga estas recomendaciones:

- Los alimentos cocidos con el sistema de sensor deben estar a temperatura de almacenamiento normal.
- La charola de vidrio y el exterior del recipiente deben estar secos.
- Siempre debe cubrir los alimentos de manera suelta, con envoltura de plástico, papel encerado o tapas aptos para horno de microondas.
- No abra la puerta ni presione el botón STOP (DETENER) durante el tiempo de sensor. Cuando finaliza el tiempo de sensor, el horno emitirá un bip, y el tiempo de cocción restante aparecerá en la pantalla. En este momento, puede abrir la puerta para revolver, girar o reacomodar los alimentos.

## Frozen Entrees (Platillos congelados)

**Ejemplo: para cocinar platillos congelados automáticamente:**

1. Presione el botón del sensor **Frozen Entrees (Platillos congelados)**.
2. Presione el botón **START** (INICIAR).

Se inicia el sensor.

Cuando finaliza el tiempo de sensor, escuchará un bip, y el tiempo de cocción restante aparecerá en la pantalla. Revuelva o reacomode los alimentos; luego, continúe la cocción.

Cuando el tiempo de calentamiento haya finalizado, escuchará 5 bips, y aparecerá la palabra "Good" (Listo) en la pantalla.

Presione el botón **STOP** (DETENER) o abra la puerta.

**Advertencia:** Cubra con una envoltura de plástico ventilada.

## Función Potatoes (Papas)

La función Potatoes (Papas) cocina hasta 3 papas (6 a 8 oz cada una) automáticamente.

**Ejemplo: para cocinar 1 papa automáticamente:**

1. Presione el botón del sensor **Potatoes** (Papas).
2. Presione el botón **START** (INICIAR).

Se inicia el sensor.

Cuando finaliza el tiempo de sensor, escuchará un bip, y el tiempo de cocción restante aparecerá en la pantalla.

Cuando el tiempo de calentamiento haya finalizado, escuchará 5 bips, y aparecerá la palabra "Good" (Listo) en la pantalla.

Presione el botón **STOP** (DETENER) o abra la puerta.

**Advertencia:**

- No coloque la papa en el centro del vidrio.
- La papa debe estar a temperatura ambiente.
- Después de cocinar, deje reposar las papas durante 5 minutos.

**Sensor Reheat (Recalentamiento por sensor)**

La función de recalentamiento le permite recalentar los alimentos (8 a 12 oz) para su comodidad al cocinar.

**Ejemplo: para recalentar 12 onzas de alimentos.**

1. Presione el botón **Sensor Reheat** (Recalentamiento por sensor).
2. Presione el botón **START** (INICIAR).

Se inicia el sensor.

Cuando finaliza el tiempo de sensor, escuchará un bip, y el tiempo de cocción restante aparecerá en la pantalla. Revuelva o reacomode los alimentos; luego, continúe la cocción.

Cuando el tiempo de calentamiento haya finalizado, escuchará 5 bips, y aparecerá la palabra "Good" (Listo) en la pantalla.

Presione el botón **STOP** (DETENER) o abra la puerta.

**Advertencia:**

- Cubra con una envoltura de plástico ventilada.
- Recaliente los alimentos sobre un plato de cena.

**Sugerencias para recalentar**

Recalentar	Instrucciones	Cantidad
Plato de cena	Use únicamente alimentos precocidos refrigerados. Cubra el plato con una envoltura de plástico ventilada o papel encerado hasta debajo del plato. Si el alimento no queda lo suficientemente caliente después de calentarlo con la función <b>Reheat</b> (Recalentar), continúe calentando con la programación de tiempo manual y nivel de potencia.  Contenido: <ul style="list-style-type: none"> <li>• 3 a 4 oz de carne de res, ave o pescado (hasta 6 oz con hueso)</li> <li>• ½ taza de alimentos con almidón (papas, pasta, arroz, etc.)</li> <li>• ½ taza de verduras (aproximadamente 3 a 4 oz)</li> </ul>	1 porción (1 plato)
Guisado	Cubra el plato con una tapa o con una envoltura de plástico ventilada. Si el alimento no queda lo suficientemente caliente después de calentarlo con la función <b>Reheat</b> (Recalentar), continúe calentando con la programación de tiempo manual y nivel de potencia.	1 a 4 porciones
Pastas	Revuelva los alimentos una vez antes de servirlos.  Contenido: <ul style="list-style-type: none"> <li>• Guisado: alimentos refrigerados (por ejemplo, estofado de carne de res o lasagna)</li> <li>• Pasta: spaghetti y ravioles enlatados, alimentos refrigerados.</li> </ul>	

## Función Frozen Pizza (Pizza congelada)

La función Frozen Pizza (Pizza congelada) le permite calentar varias porciones de pizza (6 a 12 oz) sin seleccionar el tiempo de cocción ni el nivel de potencia.

**Ejemplo: para calentar 12 onzas de pizza.**

1. Presione el botón **Frozen Pizza** (Pizza congelada).
2. Presione el botón **START** (INICIAR).

Se inicia el sensor.

Cuando finaliza el tiempo de sensor, escuchará un bip, y el tiempo de cocción restante aparecerá en la pantalla.

Cuando el tiempo de calentamiento haya finalizado, escuchará 5 bips, y aparecerá la palabra "Good" (Listo) en la pantalla.

Presione el botón **STOP** (DETENER) o abra la puerta.

## Función Rice (Arroz)

La función Rice (Arroz) le permite cocinar arroz (4 a 16 oz) automáticamente.

**Ejemplo: para cocinar 16 onzas de arroz:**

Coloque arroz en bol grande apto para horno de microondas, como un recipiente para guisado, agregue 2 tazas de agua fría, sal y aceite, y cubra con una tapa.

1. Presione el botón del sensor **Rice** (Arroz).
2. Presione el botón **START** (INICIAR).

Se inicia el sensor.

Cuando finaliza el tiempo de sensor, escuchará un bip, y el tiempo de cocción restante aparecerá en la pantalla.

Cuando el tiempo de calentamiento haya finalizado, escuchará 5 bips, y aparecerá la palabra "Good" (Listo) en la pantalla.

Presione el botón **STOP** (DETENER) o abra la puerta.

**Advertencia:** El arroz debe estar a temperatura ambiente.

## Función Frozen Vegetables (Verduras congeladas)

La función Frozen Vegetables (Verduras congeladas) le permite calentar varias verduras congeladas (6 a 16 oz) automáticamente.

**Ejemplo: para calentar 16 onzas de verduras congeladas:**

Agregue 60 g de agua (15 g por 4 oz).

1. Presione el botón del sensor **Frozen Vegetables** (Verduras congeladas).
2. Presione el botón **START** (INICIAR).

Se inicia el sensor.

Cuando finaliza el tiempo de sensor, escuchará un bip, y el tiempo de cocción restante aparecerá en la pantalla.

Cuando el tiempo de calentamiento haya finalizado, escuchará 5 bips, y aparecerá la palabra "Good" (Listo) en la pantalla.

Presione el botón **STOP** (DETENER) o abra la puerta.

**Advertencia:** Cubra con una envoltura de plástico ventilada o una tapa.

## Función Fresh Vegetables (Verduras frescas)

La función Fresh Vegetables (Verduras frescas) le permite calentar varias verduras congeladas (4 a 16 oz) automáticamente.

**Ejemplo: para calentar 16 onzas de verduras frescas:**

Agregue 60 g de agua (15 g por 4 oz).

1. Presione el botón del sensor **Fresh Vegetables** (Verduras frescas).
2. Presione el botón **START** (INICIAR).

Se inicia el sensor.

Cuando finaliza el tiempo de sensor, escuchará un bip, y el tiempo de cocción restante aparecerá en la pantalla.

Cuando el tiempo de calentamiento haya finalizado, escuchará 5 bips, y aparecerá la palabra "Good" (Listo) en la pantalla.

Presione el botón **STOP** (DETENER) o abra la puerta.

**Advertencia:**

- Las verduras deben estar a temperatura ambiente.
- Cubra con una envoltura de plástico ventilada o con una tapa.

## Función Ground Meat (Carne molida)

La función Ground Meat (Carne molida) le permite calentar carne molida (8 a 24 oz) automáticamente.

**Ejemplo: para calentar 16 onzas de carne molida:**

1. Presione el botón del sensor **Ground Meat** (Carne molida).
2. Presione el botón **START** (INICIAR).

Se inicia el sensor.

Cuando finaliza el tiempo de sensor, escuchará un bip, y el tiempo de cocción restante aparecerá en la pantalla. Revuelva o reacomode los alimentos; luego, continúe la cocción.

Cuando el tiempo de calentamiento haya finalizado, escuchará 5 bips, y aparecerá la palabra "Good" (Listo) en la pantalla.

Presione el botón **STOP** (DETENER) o abra la puerta.

**Advertencia:** Use un plato de vidrio y cubra con una envoltura de plástico ventilada o una tapa.



# Funcionamiento práctico

## Función Keep Warm (Mantener caliente)

Puede mantener calientes alimentos cocidos en su horno de microondas durante un máximo de 99 minutos y 99 segundos

**Ejemplo: para usar la función Keep Warm (Mantener caliente) durante 30 minutos:**

1. Presione el botón **Keep Warm** (Mantener caliente) una vez.
2. Ingrese el tiempo deseado con los botones numéricos.
3. Presione el botón **START** (INICIAR).

**Advertencia:** Los alimentos que se cocinan cubiertos deben permanecer cubiertos durante la función Keep Warm (Mantener caliente). Los productos de panadería (pies, empanadas, etc.) no deben estar cubiertos. Las comidas completas que se deseen mantener calientes en un plato de cena se pueden cubrir durante la función Keep Warm (Mantener caliente).

## Función Memory (Memoria)

La función Memory (Memoria) le permite guardar y recuperar una instrucción de cocción para comenzar a cocinar rápidamente.

**Ejemplo: para guardar una cocción durante 2 minutos al 70% de potencia:**

1. Presione **Cook Time** (Tiempo de cocción).
2. Use los botones numéricos para ingresar el tiempo de calentamiento deseado (el tiempo de cocción puede programarse hasta un máximo de 99 minutos y 99 segundos).
3. Presione el botón **Power Level** (Nivel de potencia) para programar el nivel de potencia (10=100% de potencia).
4. Use la tecla numérica para cambiar el nivel de potencia a 7. **PL7** aparecerá en la pantalla (70% de potencia).
5. Presione el botón **Memory** (Memoria).

Se ha guardado la programación.

Para recuperar la programación, presione el botón **Memory** (Memoria) y presione **START** (INICIAR).

**Advertencia:** Esta función puede usarse únicamente con las siguientes operaciones:

- Calentar con nivel de potencia alto
- Calentar con nivel de potencia más bajo
- Keep Warm (Mantener caliente)

## Popcorn (Palomitas de maíz)



**ATTENCION:** No deje el horno de microondas sin supervisión mientras prepara palomitas de maíz.



**ATTENCION:**

La función Popcorn (Palomitas de maíz) le permite preparar 3 tamaños distintos de bolsas de palomitas de maíz envasadas comercialmente para microondas. Use la siguiente tabla para determinar la programación que utilizará.

Cantidad	Presione el botón Popcorn (Palomitas de maíz)
1.75 oz (programación predeterminada)	1 vez
3.0 oz.	2 veces
3.5 oz.	3 veces

**Ejemplo: para preparar una bolsa de palomitas de maíz de 3.0 oz automáticamente:**

1. Presione el botón **Popcorn** (Palomitas de maíz) (1, 2 ó 3 veces, consulte la tabla anterior para cambiar el tamaño de la bolsa).
2. Presione el botón **START** (INICIAR).

Cuando el tiempo de calentamiento haya finalizado, escuchará 5 bips, y aparecerá la palabra "Good" (Listo) en la pantalla.

Presione el botón **STOP** (DETENER) o abra la puerta.

## Función Beverages (Bebidas)

La función Beverages (Bebidas) calienta 1, 2 ó 3 tazas de bebida. Use la siguiente tabla para determinar la programación que utilizará.

Cantidad	Presione el botón Beverages (bebida)
1 taza (aproximadamente 8 oz)	1 vez
2 tazas (aproximadamente 16 oz)	2 veces
3 tazas (aproximadamente 24 oz)	3 veces

**Ejemplo: para calentar 1 taza de bebida:**

1. Presione el botón **Beverages** (Bebidas) (1, 2 ó 3 veces, consulte la tabla anterior para cambiar la cantidad de porciones).
2. Presione el botón **START** (INICIAR).

Cuando el tiempo de calentamiento haya finalizado, escuchará 5 bips, y aparecerá la palabra "Good" (Listo) en la pantalla.

Presione el botón **STOP** (DETENER) o abra la puerta.

## Sugerencias para la cocción práctica

Categoría de practicidad	Cantidad	Sugerencias
Palomitas de maíz	1 paq. de 1.75, 3.0, 3.5 oz	Cocine una sola bolsa de palomitas de maíz "aptas para horno de microondas" por vez. Tenga cuidado al retirar y abrir la bolsa de palomitas de maíz caliente del horno. Deje enfriar el horno de microondas durante, al menos, 5 minutos antes de volver a usarlo.
Papa	1, 2, 3 papas (8, 16, 24 oz)	Pinche cada papa varias veces con un tenedor. Colóquela en la bandeja giratoria en forma de rayos. Después de cocinar, deje reposar entre 3 y 5 minutos. Deje enfriar el horno durante, al menos, 5 minutos antes de volver a usarlo. Use el botón Start/+30sec (Iniciar/30 segundos más) para aumentar el tiempo de cocción para papas más grandes.
Bebida	1, 2, 3 tazas (8 oz, 16 oz, 24 oz)	Use una taza medidora o tazón apto para horno de microondas; no los cubra. Coloque la bebida en el horno de microondas. Después de calentar, revuelva bien. Deje enfriar el horno durante, al menos, 5 minutos antes de volver a usarlo. Las bebidas calentadas con la categoría para bebidas pueden estar muy calientes. Retire el recipiente con cuidado.

## Cocinar carne de res en su horno de microondas

Asegúrese de colocar las carnes de res preparadas sobre una rejilla para asar apta para horno de microondas en un plato apto para horno de microondas. Comience a cocinar la carne de res con el lado de la grasa hacia abajo y, si es necesario, use tiras angostas de papel de aluminio para cubrir las puntas de huesos o áreas delgadas de carne. Después de cocinar, mida la temperatura en varios lugares antes de dejar reposar la carne el tiempo recomendado. Recuerde que las temperaturas indicadas en los siguientes cuadros son las temperaturas al momento de retirar el alimento; la temperatura aumenta durante el período de reposo.

Carne	Nivel de potencia	Tiempo de cocción	Instrucciones
Carne de res asada deshuesada (hasta 4 lb)	Alta (10) durante los primeros 5 minutos, luego media (5)	12-17 min/lb en 160 °F (Término medio)	Coloque la carne de res con el lado de grasa hacia abajo sobre la rejilla para asar. Cubra con papel encerado. Dela vuelta a la mitad de la cocción. Deje reposar * entre 10 a 15 minutos.
		14-19 min/lb en 170 °F (Bien cocida)	
Carne de cerdo asada deshuesada o con hueso (hasta 4 lb)	Alta (10) durante los primeros 5 minutos, luego, media (5)	15-20 min/lb en 170 °F (Bien cocida)	Coloque la carne de cerdo con el lado de grasa hacia abajo sobre la rejilla para asar. Cubra con papel encerado. Dela vuelta a la mitad de la cocción. Deje reposar * entre 10 a 15 minutos.

\* Puede esperar un aumento de temperatura de hasta 10 °F durante el período de reposo.

Carne	Nivel de cocción	Retire del horno	Después de reposar (10-15 min)
Carne de res	Término	150 °F	160 °F
	medio Bien cocida	160 °F	170 °F
Cerdo	Término	150 °F	160 °F
	medio Bien cocida	160 °F	170 °F
Carne de ave	Carne oscura	170 °F	180 °F
	Carne blanca	160 °F	170 °F

## Cocción de carne de ave en su horno de microondas

Asegúrese de colocar la carne de ave sobre una rejilla para asar apta para horno de microondas en un plato apto para horno de microondas. Cubra el ave con papel encerado para evitar salpicaduras. Use tiras angostas de papel de aluminio para cubrir las puntas de huesos o la áreas delgadas de carne, o las áreas que comienzan a cocinarse excesivamente. Después de cocinar, mida la temperatura en varios lugares antes de dejar reposar la carne el tiempo recomendado.

Carne	Nivel de potencia	Tiempo de cocción	Instrucciones
Pollo entero (hasta 4 lb)	media alta (7) 180 °F carne oscura 170 °F carne oscura	7-10 min /lb	Coloque el pollo con el lado de la pechuga hacia abajo sobre la rejilla para asar. Cubra con papel encerado. Dela vuelta a la mitad de la cocción. Cocine hasta que el jugo sea transparente y la carne no esté rosada cerca del hueso. Deje reposar entre 5 y 10 minutos.
Trozos de pollo (hasta 4 lb)	media alta (7) 180 °F carne oscura 170 °F carne oscura	7-10 min /lb.	Coloque el pollo con el lado del hueso hacia abajo sobre un plato; los trozos más gruesos deben apuntar hacia adentro del plato. Cubra con papel encerado. Delo vuelta a la mitad de la cocción. Cocine hasta que el jugo sea transparente y la carne no esté rosada cerca del hueso. Deje reposar entre 5 y 10 minutos.

## Cocción de huevos en su horno de microondas

- Nunca cocine huevos con cáscara y nunca caliente huevos duros con cáscara ya que pueden explotar.
- Siempre pinche los huevos enteros para evitar que exploten.
- Cocine los huevos sólo hasta que cuajen; se pondrán duros si se cocinan en exceso.

## Cocción de verduras en su horno de microondas

- Las verduras deben lavarse justo antes de cocinarse. Por lo general, no es necesario agregar agua. Si quiere cocinar verduras densas como papas, zanahorias y verduras, agregue aproximadamente ¼ taza de agua.
- Las verduras pequeñas (zanahorias rebanadas, chícharos, pallares, etc.) se cocinan más rápido que las verduras más grandes.
- Las verduras enteras, como papas, zapallo o elote en mazorca, deben disponerse en un círculo sobre la bandeja giratoria antes de cocinarlas. Se cocinan en forma más pareja si se dan vuelta a la mitad de la cocción.
- Siempre coloque las verduras, como espárragos y brócoli, con los extremos de los tallos hacia el borde del plato y las puntas hacia el centro.
- Al cocinar verduras cortadas, siempre cubra el plato con una tapa o una envoltura de plástico ventilada apta para horno de microondas.
- Debe pinchar en varios lugares la cáscara de las verduras enteras sin pelar, como papas, calabazas, berenjenas, etc., antes de cocinarlas para evitar que exploten.
- Para una cocción más pareja, revuelva o reacomode las verduras enteras a la mitad del tiempo de cocción.
- La mayoría de las veces, cuanto más denso el alimento, mayor es el tiempo de reposo necesario. Por ejemplo, una papa horneada debe reposar 5 minutos antes de servirla, mientras que un plato de chícharos puede de servirse de inmediato.

## Cocción de mariscos en su horno de microondas

Coloque el pescado sobre una rejilla para asar apta para horno de microondas en un recipiente apto para horno de microondas. Asegúrese de siempre cocinar el pescado hasta que se pueda desmenuzar fácilmente con un tenedor. Use una tapa hermética para cocinar pescado al vapor; una cubierta más ligera de papel encerado o una toalla de papel genera menos vapor. Además, asegúrese de no cocinar el pescado en exceso; verifique el nivel de cocción cuando transcurra el tiempo mínimo de cocción antes de seguir cocinándolo.

Mariscos	Nivel de potencia	Tiempo de cocción	Instrucciones
Bistecs de pescado Hasta 1½ lb	media alta (7)	7-11 min /lb	Disponga el pescado sobre una rejilla para asar con las partes más carnosas hacia afuera de la rejilla. Cubra con papel encerado. Delo vuelta y reacomode el pescado a la mitad del tiempo de cocción. Cocine hasta que el pescado se pueda desmenuzar fácilmente con un tenedor. Deje reposar entre 3 y 5 min.
Filetes de pescado Hasta 1½ lb	media alta (7)	4-8 min /lb.	Disponga los filetes en un recipiente para hornear, metiendo hacia adentro las partes finas. Cubra con papel encerado. Si tienen un grosor de más de ½ pulgada, delos vuelta y reacomódelos a la mitad del tiempo de cocción. Cocine hasta que el pescado se pueda desmenuzar fácilmente con un tenedor. Deje reposar entre 2 y 3 min.
Camarones Hasta 1½ lb	media alta (7)	4-6½ min/lb	Disponga los camarones en un recipiente para hornear sin superponerlos ni colocarlos en capas. Cubra con papel encerado. Cocínelos hasta que queden firmes y opacos, y revuelva 2 ó 3 veces. Deje reposar 5 min.

---

# Limpieza y mantenimiento

## Limpieza

### Sugerencias para la limpieza

Para un mejor rendimiento y por motivos de seguridad, mantenga limpios el interior y el exterior del horno. Tenga especial cuidado para mantener el panel interior de la puerta y el marco delantero del horno libre de acumulación de alimentos y grasa.

**Nunca use detergente en polvo ni almohadillas abrasivos** en el horno de microondas. Limpie el horno de microondas por dentro y por fuera con un paño suave y una solución de detergente suave y tibia (no caliente). Luego, enjuague y seque completamente.

Limpie de inmediato las salpicaduras con una toalla de papel húmeda, especialmente después de cocinar alimentos con grasa, como pollo o tocino.

Limpie su horno de microondas semanalmente o con más frecuencia, si es necesario.

#### **Siga estas instrucciones para limpiar y cuidar su horno de microondas:**

Mantenga limpio el interior (la cavidad) del horno. Las partículas de alimentos y los líquidos derramados pueden pegarse a las paredes del horno, y esto hará que el horno funcione de manera menos eficaz.

Limpie los derrames de inmediato. Use un paño húmedo y limpio y jabón suave. **NO** use detergentes agresivos ni limpiadores abrasivos.

Para remover las partículas de alimentos horneados o líquidos más fácilmente, caliente 2 tazas de agua (agregue el jugo de 1 limón si desear mantener el horno con un aroma fresco) en un recipiente medidor de vidrio de 4 tazas en un nivel de potencia alta durante 5 minutos o hasta que hierva. Deje reposar en la cavidad del horno durante 1 ó 2 minutos.

Retire la charola de vidrio de la bandeja giratoria del horno al limpiar la cavidad del horno o la charola. Para evitar que la charola de vidrio de la bandeja giratoria se rompa, manipúlela con cuidado y no la coloque en agua inmediatamente después de cocinar. Lave la charola de la bandeja giratoria en agua jabonosa tibia o en el lavavajillas.

Limpie la superficie exterior del horno de microondas con jabón y un paño húmedo limpio. Seque con un paño suave limpio. Para evitar daños en las piezas operativas del horno, no deje que entre agua en ninguna ventilación ni abertura.

Lave la ventana de la puerta del horno con jabón muy suave y agua. Asegúrese de usar un paño suave y limpio para evitar rayones.

Si se acumula vapor dentro o fuera de la puerta del horno, limpie con un paño suave. El vapor se puede acumular al operar el horno en condiciones de alta humedad; esto no significa que haya fugas en el horno de microondas.

Nunca opere el horno sin alimentos en su cavidad; esto puede dañar el tubo de magnetrón o la charola de vidrio. Tal vez prefiera dejar una taza de agua dentro del horno cuando no esté en uso para evitar daños en caso de que se encienda accidentalmente.

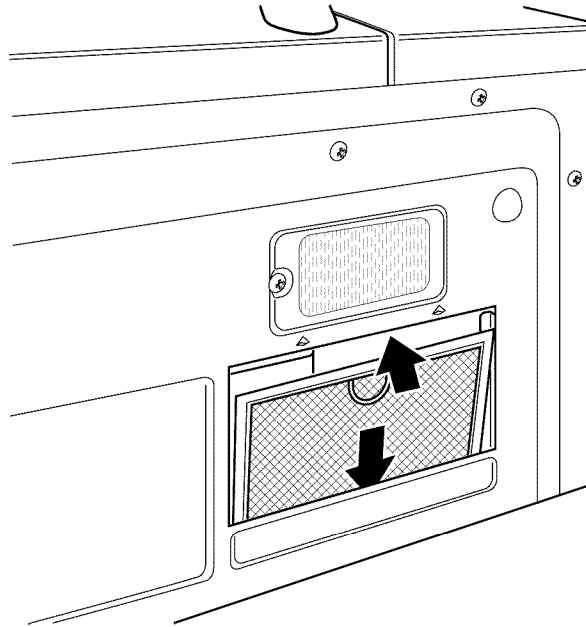
## Limpeza de los filtros de escape

Los filtros de escape de ventilación del horno se deben retirar y limpiar con frecuencia; por lo general, al menos, una vez al mes.



**ATTENCION:** Para evitar riesgos de lesiones personales o daños materiales, no opere la campana del horno sin los filtros correctamente colocados

1. Para retirar los filtros de ventilación de escape, deslice el filtro hacia la parte posterior. Luego, jale el filtro hacia abajo y empuje hacia el otro lado. El filtro se liberará. Repita la operación con el segundo filtro.



2. Los filtros pueden limpiarse en un lavavajillas.

Al limpiar los filtros a mano, primero sumérgalos en agua caliente con jabón. No utilice limpiadores agresivos, ácidos ni cáusticos. Después de sumergir los filtros, cepíllelos para limpiarlos; luego enjuáguelos bien y déjelos escurrir hasta que se sequen.

3. Para volver a instalar el filtro de ventilación del escape, deslícelo en la ranura lateral, luego, empújelo hacia arriba y en dirección al horno para que quede trabado. Vuelva a instalar el segundo filtro con el mismo procedimiento.

## Cómo limpiar la rejilla de metal

Lave la rejilla de metal con jabón suave y un cepillo para fregar suave o de nylon. Seque completamente. No use estropajos ni limpiadores abrasivos para limpiar la rejilla.

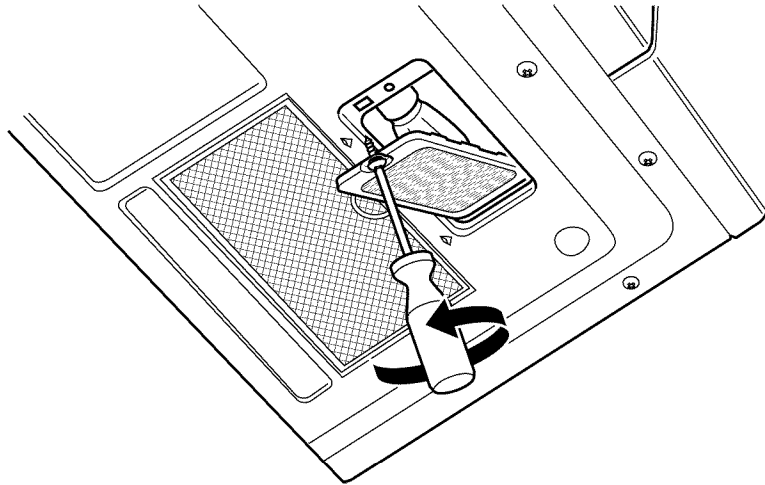
# Mantenimiento

## Cambio del foco de superficie

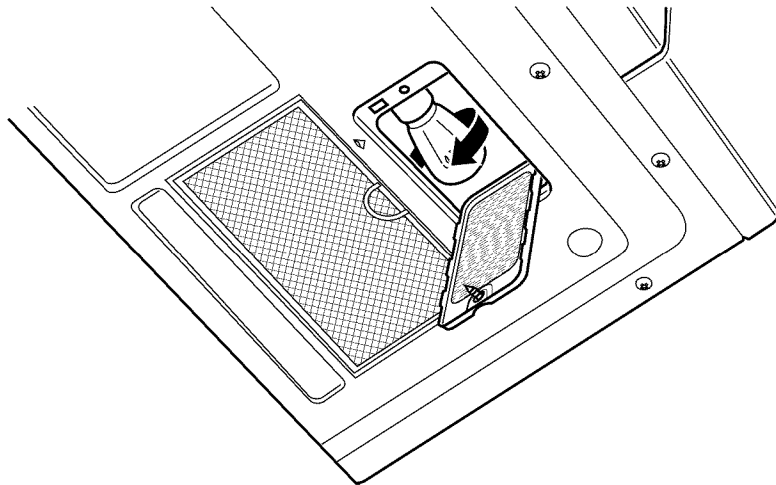


**ATTENCION:** Para evitar riesgos de lesiones personales o daños materiales, use guantes al cambiar los focos.

1. Desenchufe el horno de microondas o apague la alimentación eléctrica desde el disyuntor principal.
2. Retire los tornillos de montaje de la tapa del foco en ambas posiciones de la luz debajo del horno de microondas.



3. Reemplace el foco con un foco para electrodomésticos de 30 vatios.

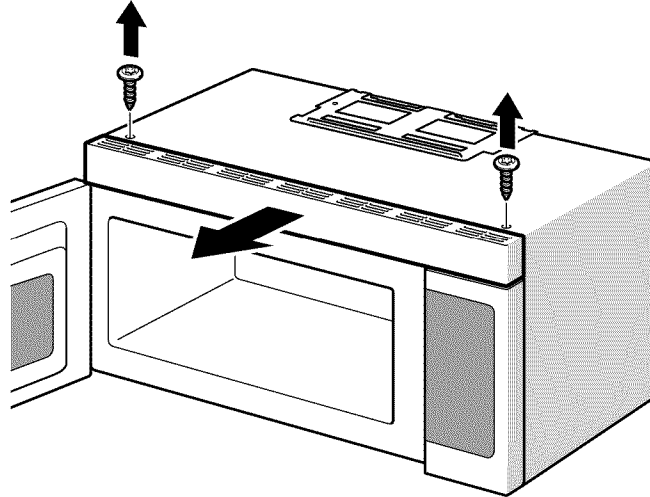


4. Vuelva a colocar la tapa del foco y el tornillo de montaje.
5. Vuelva enchufar el horno de microondas a la alimentación eléctrica o vuelva a encender la alimentación eléctrica desde el disyuntor principal.

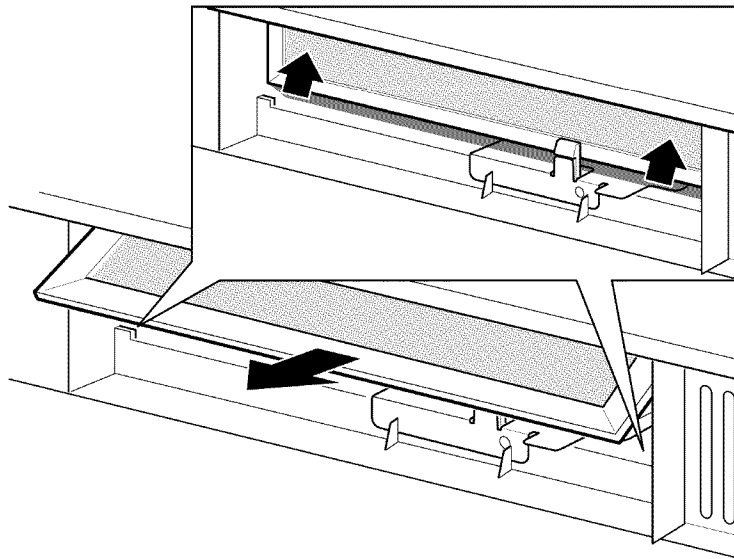


## Cambio del foco del horno

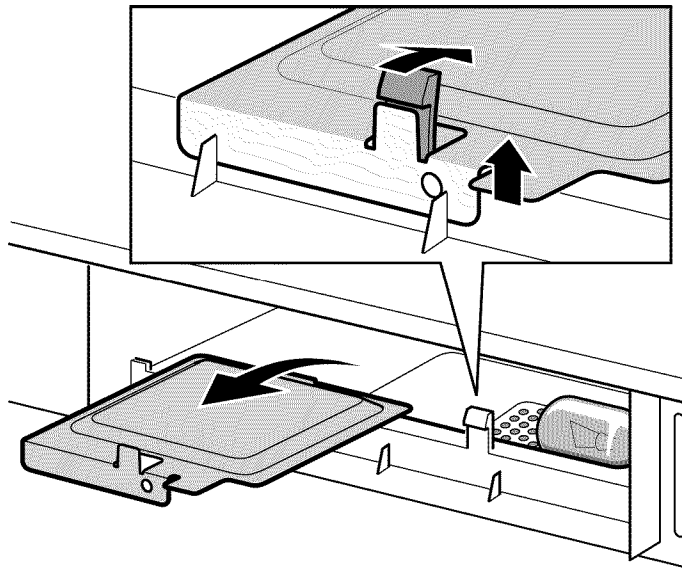
1. Para cambiar el foco, primero desconecte la alimentación eléctrica del horno de microondas desde el panel del disyuntor o desenchufando el electrodoméstico.
2. Retire los tornillos de montaje de la rejilla de ventilación.
3. Jale la rejilla de ventilación hacia afuera de la unidad.



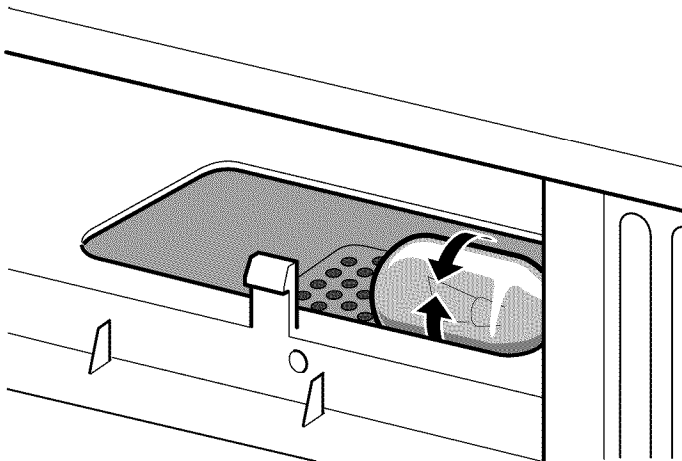
4. Retire el filtro de carbón empujándolo hacia adentro, luego gírelo y jálelo hacia afuera de la unidad.



5. Abra la tapa del foco ubicado detrás del montaje del filtro jalándola con cuidado hacia arriba en el borde delantero.



6. Retire el foco usado y reemplácelo sólo por un foco de 30 vatios equivalente disponible a través del distribuidor de piezas. Los focos también se encuentran disponibles en la mayoría de las ferreterías o centros de iluminación.



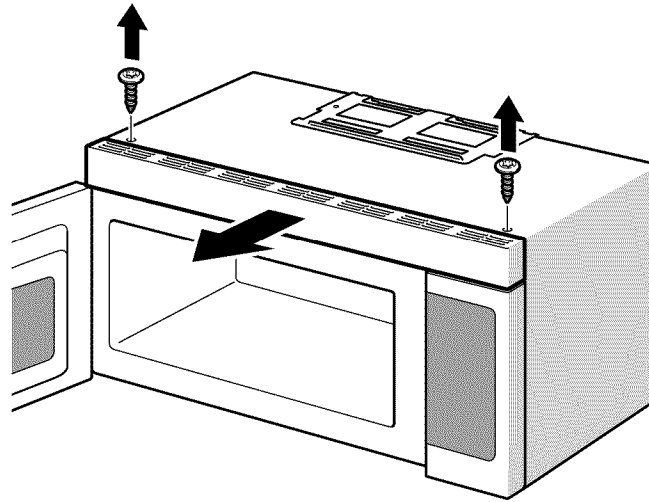
**Advertencia:** NO USE FOCOS DE MÁS DE 30 VATIOS.

7. Vuelva a colocar la tapa del foco del horno de microondas empujándola con cuidado en su lugar. Vuelva a colocar el filtro de carbón. Empuje la rejilla de ventilación para ubicarla nuevamente en su lugar (enganche las lengüetas superior e inferior) y vuelva a colocar los tornillos de montaje de la rejilla de ventilación.

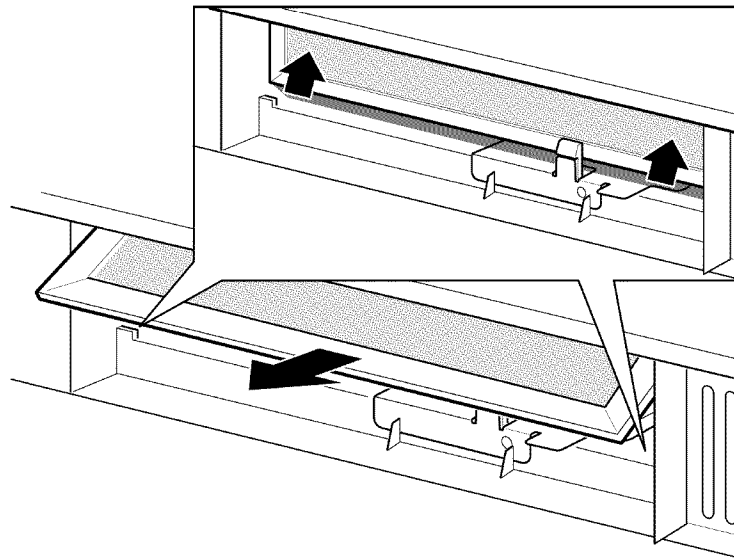
## Cambio del filtro de carbón

El filtro de carbón, que se incluye con su horno de microondas, está diseñado para una instalación sin ventilación ni recirculación (ventilación de ambiente). El filtro debe cambiarse cada 6 a 12 meses, según su uso.

1. Desconecte la alimentación eléctrica del horno de microondas desde el panel del disyuntor o desenchufando el electrodoméstico.
2. Retire los tornillos de montaje de la rejilla de ventilación.
3. Jale la rejilla de ventilación hacia afuera de la unidad.



4. Cambie el filtro de carbón.



5. Empuje la rejilla de ventilación con cuidado de regreso en su lugar y vuelva a colocar los tornillos que retiró en el Paso 2.

**Advertencia:** Si no hay un filtro de carbón instalado, no se absorberán las sustancias olorosas de los vapores de cocción.

---

# Servicio técnico

## Resolución de problemas

Antes de llevar su horno de microondas a un técnico en reparación, verifique en la lista que aparece a continuación posibles soluciones fáciles a algunos de los problemas más frecuentes.

### La pantalla del horno de microondas ni el horno funcionan

- Conecte correctamente el enchufe en una toma de corriente conectada a tierra.
- Si la toma de corriente es controlada por un interruptor de pared, asegúrese de que el interruptor de pared esté encendido.
- Retire el enchufe de la toma de corriente y espere 10 segundos; luego, vuelva a enchufar el horno de microondas.
- Reprograme el disyuntor doméstico o reemplace cualquier fusible quemado.
- Enchufe otro electrodoméstico en la toma de corriente de alimentación eléctrica. Si el otro electrodoméstico no funciona, haga que un electricista calificado repare la toma de corriente.
- Enchufe el horno de microondas en otra toma de corriente de alimentación eléctrica.

### La pantalla del horno funciona, pero el horno no

- Asegúrese de que la puerta del horno de microondas esté cerrada firmemente y por completo.
- Verifique si hay material de embalaje u otros materiales atascados en el sello de la puerta.
- Verifique que la puerta del horno no tenga daños.
- Presione el botón **STOP/cancel** (DETENER/cancelar) dos veces e intente volver a ingresar las instrucciones de cocción.

### La alimentación eléctrica se corta antes de que haya transcurrido el tiempo de cocción

- Si hubo una interrupción de la alimentación eléctrica, retire el enchufe de la toma de corriente y espere 10 segundos; luego, vuelva a enchufar el horno de microondas. Si hubo un corte de suministro eléctrico, el indicador de tiempo en la pantalla indicará **00:00**.
- Reprograme el reloj y las instrucciones de cocción.
- Reprograme el disyuntor doméstico o reemplace cualquier fusible quemado.
- Presione el botón **STOP/cancel** (DETENER/cancelar) dos veces e intente volver a ingresar las instrucciones de cocción.
- Enchufe otro electrodoméstico en la toma de corriente. Si el otro electrodoméstico no funciona, haga que un electricista calificado repare la toma de corriente.
- Enchufe el horno de microondas en otra toma de corriente de alimentación eléctrica.

### La cocción de los alimentos es muy lenta

- Asegúrese de que el horno esté conectado a una línea de circuito de 20 A por separado. Hacer funcionar otro electrodoméstico en el mismo circuito puede provocar una caída de voltaje. Si es necesario, cambie el horno de microondas a su propio circuito.

**Se observan chispas o arcos eléctricos**

**La bandeja giratoria hace ruido o se pega**

**El horno de microondas causa interferencias en su TV o radio**

- Retire utensilios metálicos, recipientes para cocinar o cierres de metal de la cavidad del horno. Si usa papel de aluminio, use únicamente tiras angostas y deje, al menos, una pulgada entre el papel y las paredes interiores del horno.
- Limpie la bandeja giratoria, el anillo giratorio y la base de la cavidad del horno.
- Asegúrese de que la bandeja giratoria y el anillo giratorio estén colocados correctamente.
- Esta interferencia es similar a la producida por otros electrodomésticos pequeños, como secadores de cabello. Aleje su horno de microondas de otros electrodoméstico, como su TV o radio.

**Advertencia:** Si el horno está programado para cocinar durante más de 30 minutos a un nivel de potencia de 100%, se ajustará automáticamente a un nivel de potencia del 80% después de 30 minutos para evitar el exceso de cocción.

Si tiene un problema que no puede solucionar, no dude en comunicarse con nuestra línea de servicio técnico:

## Servicio al Cliente

Si necesita reparar el electrodoméstico, llame a nuestro departamento de Servicio al Cliente. Nuestro Centro de Servicio al Cliente principal (consulte a continuación) también se complacerá en brindarle la información sobre un centro cercano a su domicilio.

**Número (E) de modelo y el número FD**

Cuando llame a nuestro servicio al cliente, tenga a la mano el número (E) de modelo y el número FD de su electrodoméstico.

Puede encontrar la placa de identificación con estos números en la parte inferior del electrodoméstico y en el manual del electrodoméstico.

¿Preguntas? Comuníquese con nosotros. ¡Esperamos tener noticias tuyas pronto!

800-944-2904  
www.boschappliances.com  
5551 McFadden Ave.  
Huntington Beach, CA 92649 USA

# DECLARACIÓN DE GARANTÍA LIMITADA DEL PRODUCTO

## Cobertura de esta garantía y a quiénes se aplica

La garantía limitada otorgada por BSH Home Appliances Bosch en esta Declaración de Garantía Limitada del Producto se aplica únicamente al horno de microondas para instalación sobre estufa (Over the Range, OTR) de Bosch ("producto") vendido a usted, el primer comprador usuario, siempre que el Producto haya sido comprado:

- Para uso doméstico (no comercial) normal y haya sido utilizado en todo momento únicamente para fines domésticos normales.
- Nuevo en una tienda minorista (que no sea un producto de exhibición, ni un producto vendido "en las condiciones en que se encuentra" ni un modelo devuelto anteriormente) y no esté destinado para reventa ni uso comercial.
- Dentro de los Estados Unidos o Canadá, y permanezca en todo momento dentro del país de compra original.

Las garantías incluidas en el presente se aplican únicamente al primer comprador del Producto y no son transferibles. Bosch se reserva el derecho de pedir el comprobante de compra al momento de presentar cualquier reclamo de garantía para confirmar que el producto se encuentre dentro del alcance de esta garantía limitada del producto.

Asegúrese de devolver su tarjeta de registro; si bien no es necesario para hacer efectiva la cobertura de la garantía, es la mejor manera para que Bosch le notifique en el caso poco probable de que se emita un aviso de seguridad o se retire del mercado un producto.

## Duración de la garantía

Bosch garantiza que el Producto no tiene defectos en los materiales ni en la mano de obra durante un período de trescientos sesenta y cinco (365) días a partir de la fecha de compra. El período precedente comienza a regir a partir de la fecha de compra y no se interrumpirá, dejará sin efecto, extenderá ni suspenderá por ningún motivo.

## Reparación/reemplazo como único recurso

Durante el período de esta garantía, Bosch o uno de sus proveedores de servicio técnico autorizados reparará su Producto sin cargo para usted (con sujeción a determinadas limitaciones especificadas en la presente) si se prueba que su Producto ha sido fabricado con un defecto en los materiales o en la mano de obra. Si se ha intentado de manera razonable reparar el Producto sin éxito, Bosch reemplazará su Producto (es posible que usted tenga disponibles modelos mejorados, a entera discreción de Bosch, por un cargo adicional). Todas las piezas y los componentes extraídos serán propiedad de Bosch, a su entera discreción. Todas las piezas reemplazadas y/o reparadas se considerarán como la pieza original a los fines de esta garantía, y esta garantía no se extenderá con respecto a dichas partes. En virtud de la presente, la única y exclusiva responsabilidad y obligación de Bosch es únicamente reparar el Producto defectuoso de fábrica, a través de un proveedor de servicio técnico autorizado por Bosch durante el horario normal de oficina. Por cuestiones de seguridad y daños materiales, Bosch recomienda categóricamente que no intente reparar el Producto usted mismo ni use un centro de servicio técnico no autorizado; Bosch no tendrá responsabilidad ni obligación alguna por las reparaciones o trabajos realizados por un centro de servicio técnico no autorizado. Si usted prefiere que una persona que no es un proveedor de este servicio técnico autorizado trabaje en su Producto, ESTA GARANTÍA SE ANULARÁ AUTOMÁTICAMENTE.

Los proveedores de servicio técnico autorizados son aquellas personas o compañías que han sido especialmente capacitadas para manejar los productos Bosch y que tienen, según el criterio de Bosch, una reputación superior de servicio al cliente y capacidad técnica (debe tener en cuenta que son entidades independientes y *no* son agentes, socios, afiliados ni representantes de Bosch). Sin perjuicio de lo que antecede, Bosch no tendrá responsabilidad ni obligación alguna por el Producto que se encuentre en un área remota (a más de 100 millas de un proveedor de servicio técnico autorizado) o en un lugar, área circundante o entorno que no sea accesible por medios razonables o que sea peligroso, hostil o arriesgado; en cualquier caso, a su solicitud, Bosch de todas maneras pagará por la mano de obra y las piezas, y enviará las piezas al proveedor de servicio técnico autorizado más cercano, pero usted seguirá siendo totalmente responsable por el tiempo de viaje y demás cargos especiales de la compañía de servicio técnico, suponiendo que acepte hacer la visita de servicio técnico.

### **Producto fuera de garantía**

Bosch no tiene obligación alguna, en virtud de la ley o por otro motivo, de otorgarle ninguna concesión, incluidos reparaciones, prorrates o reemplazo del Producto, con posterioridad al vencimiento de la garantía.

### **Exclusiones de la garantía**

La cobertura de garantía descrita en la presente excluye todos los defectos o daños que no fueron provocados directamente por Bosch, incluidos, entre otros, alguno de los siguientes:

- Uso del Producto de maneras distintas del uso normal, habitual y previsto (incluidos, entre otros, cualquier forma de uso comercial, uso o almacenamiento en exteriores de un producto diseñado para interiores, uso del Producto en aeronaves o embarcaciones).
- Conducta indebida, negligencia, uso indebido, abuso, accidentes, descuido, operación inadecuada, omisión de mantener, instalación inadecuada o negligente, adulteración, omisión de seguir las instrucciones de operación, manipulación inadecuada, servicio técnico no autorizado (incluidos "arreglos" o exploración de los mecanismos internos del electrodoméstico realizados por uno mismo) por parte de cualquier persona.
- Ajuste, alteración o modificación de cualquier tipo.
- Incumplimiento de los códigos, reglamentaciones o leyes de electricidad, plomería y/o construcción estatales, locales, municipales o de condado, incluida la omisión de instalar el producto cumpliendo estrictamente con los códigos y reglamentaciones locales de construcción y protección contra incendios.
- Desgaste habitual, derrames de alimentos, líquidos, acumulaciones de grasa u otras sustancias que se acumulen sobre el Producto, dentro o alrededor de este.
- Y cualquier fuerza y factor externo, elemental y/o ambiental, incluidos, entre otros, lluvia, viento, arena, inundaciones, incendios, aludes de lodo, temperaturas bajas extremas, humedad excesiva o exposición prolongada a la humedad, rayos, sobrecargas eléctricas, fallas estructurales alrededor del electrodoméstico y caso fortuito.

En ningún caso, Bosch tendrá responsabilidad ni obligación alguna por los daños ocasionados a los bienes circundantes, incluidos los gabinetes, pisos, techos y demás estructuras u objetos que se encuentren alrededor del producto. También se excluyen de esta garantía las rayas, hendiduras, abolladuras menores y daños estéticos en superficies externas y piezas expuestas; productos en los cuales los números de serie hayan sido alterados, modificados o eliminados; visitas del servicio técnico para enseñarle a usar el Producto o visitas en las que se determine que no hay ningún problema con el Producto; corrección de los problemas de instalación (usted es el único responsable de cualquier estructura y soporte del Producto, incluidas las instalaciones de electricidad y plomería o demás

instalaciones de conexión, de la correcta instalación en bases/pisos y de cualquier alteración, incluidos, entre otros, gabinetes, paredes, pisos, repisas, etc.); y el restablecimiento de disyuntores o fusibles.

**EN LA MEDIDA PERMITIDA POR LA LEY, ESTA GARANTÍA ESTABLECE SUS RECURSOS EXCLUSIVOS CON RESPECTO AL PRODUCTO, INDEPENDIENTEMENTE DE QUE LA RECLAMACIÓN SEA CONTRACTUAL O EXTRA CONTRACTUAL (INCLUIDA LA RESPONSABILIDAD OBJETIVA O LA NEGLIGENCIA), O DE CUALQUIER OTRO MODO. ESTA GARANTÍA REEMPLAZA TODAS LAS DEMÁS GARANTÍAS EXPRESAS O IMPLÍCITAS. GARANTÍA IMPLÍCITA POR LEY, YA SEA DE COMERCIABILIDAD O APTITUD PARA UN FIN ESPECÍFICO, O DE CUALQUIER OTRO TIPO, TENDRÁ VIGENCIA ÚNICAMENTE POR EL PERÍODO DE VIGENCIA DE LA PRESENTE GARANTÍA LIMITADA. EN NINGÚN CASO, EL FABRICANTE SERÁ RESPONSABLE POR LOS DAÑOS CONSECUENTES, ESPECIALES, INCIDENTALES, INDIRECTOS, POR "PÉRDIDAS COMERCIALES" Y/O DAÑOS PUNITIVOS, PÉRDIDAS O GASTOS, INCLUIDOS, ENTRE OTROS, TIEMPO FUERA DEL TRABAJO, HOTELES Y/O COMIDAS EN RESTAURANTES, GASTOS DE REMODELACIÓN QUE SUPEREN LOS DAÑOS DIRECTOS, QUE DEFINITIVAMENTE HAYAN SIDO CAUSADOS DE MANERA EXCLUSIVA POR BOSCH O DE OTRO MODO. ALGUNOS ESTADOS NO PERMITEN LA EXCLUSIÓN O LIMITACIÓN DE DAÑOS INCIDENTALES O CONSECUENTES, Y ALGUNOS ESTADOS NO PERMITEN LIMITACIONES CON RESPECTO AL PLAZO DE VIGENCIA DE UNA GARANTÍA IMPLÍCITA; POR LO TANTO, ES POSIBLE QUE LAS LIMITACIONES PRECEDENTES NO SE APLIQUEN. ESTA GARANTÍA LE OTORGA DERECHOS LEGALES ESPECÍFICOS, Y TAMBIÉN PUEDEN CORRESPONDERLE OTROS DERECHOS QUE PUEDEN VARIAR SEGÚN EL ESTADO.**

Ningún intento de alterar, modificar o enmendar la presente garantía entrará en vigencia, a menos que fuera autorizado por escrito por un ejecutivo de BSH.

#### **Cómo obtener el servicio técnico de la garantía**

Para obtener el servicio técnico de la garantía de su Producto, debe comunicarse con el centro de servicio autorizado de Bosch más cercano.

BSH Home Appliances 5551 - Mc Fadden Ave., Huntington Beach, CA 92649 USA

**1-800-944-2904**









