



610-24370 TOOL CADDY



**READ AND FOLLOW ALL SAFETY RULES AND OPERATING
INSTRUCTIONS BEFORE USING THIS EQUIPMENT**

Safety Rules



This is the safety alert symbol. It is used to alert you to potential personal injury hazards. Obey all safety messages that follow this symbol to avoid possible injury or death.

Read and understand all safety rules and operating instructions before using this tractor attachment.

Follow all safety rules and operating instructions provided by your vehicle's manufacturer when using attachment.

Never allow children or untrained persons to operate vehicle or attachment.

Do not exceed the vehicle manufacturer's towed weight limit.

Reduce vehicle speed and allow extra stopping distance when towing heavy loads.

Reduce vehicle speed and towed weight when operating on slopes.

Operate up and down slopes, never across the face of slopes.

Do not carry passengers on vehicle or attachment.

Avoid sudden turns or maneuvers.

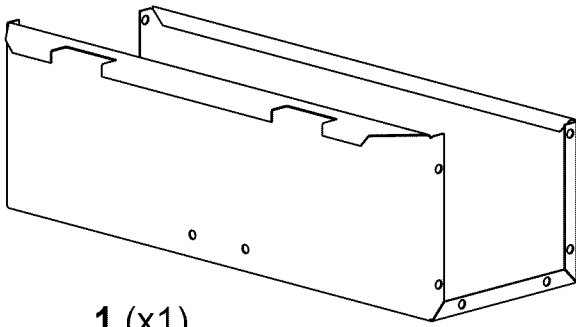
Do not tow attachment on public roadways.

Do not remove warning decals from product.

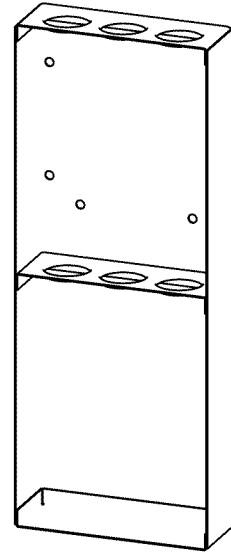
Check product for worn, loose, or damaged parts before each use. If any damage is present, repair the product before using.

Check product for loose or missing fasteners before each use. Tighten or replace fasteners as needed before using.

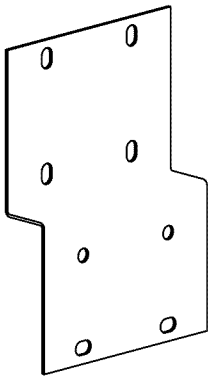
Carton Contents



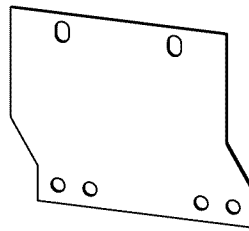
1 (x1)



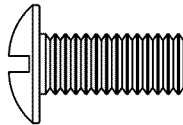
2 (x2)



3 (x1)



4 (x1)



5 (x18)



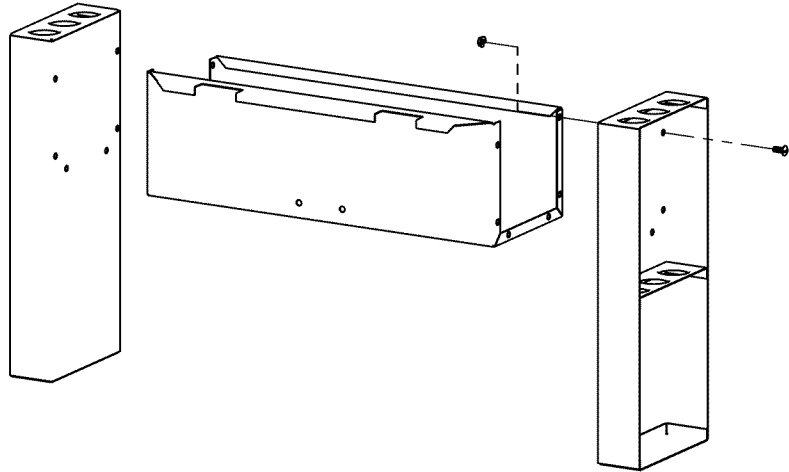
6 (x18)

TOOLS REQUIRED FOR ASSEMBLY:

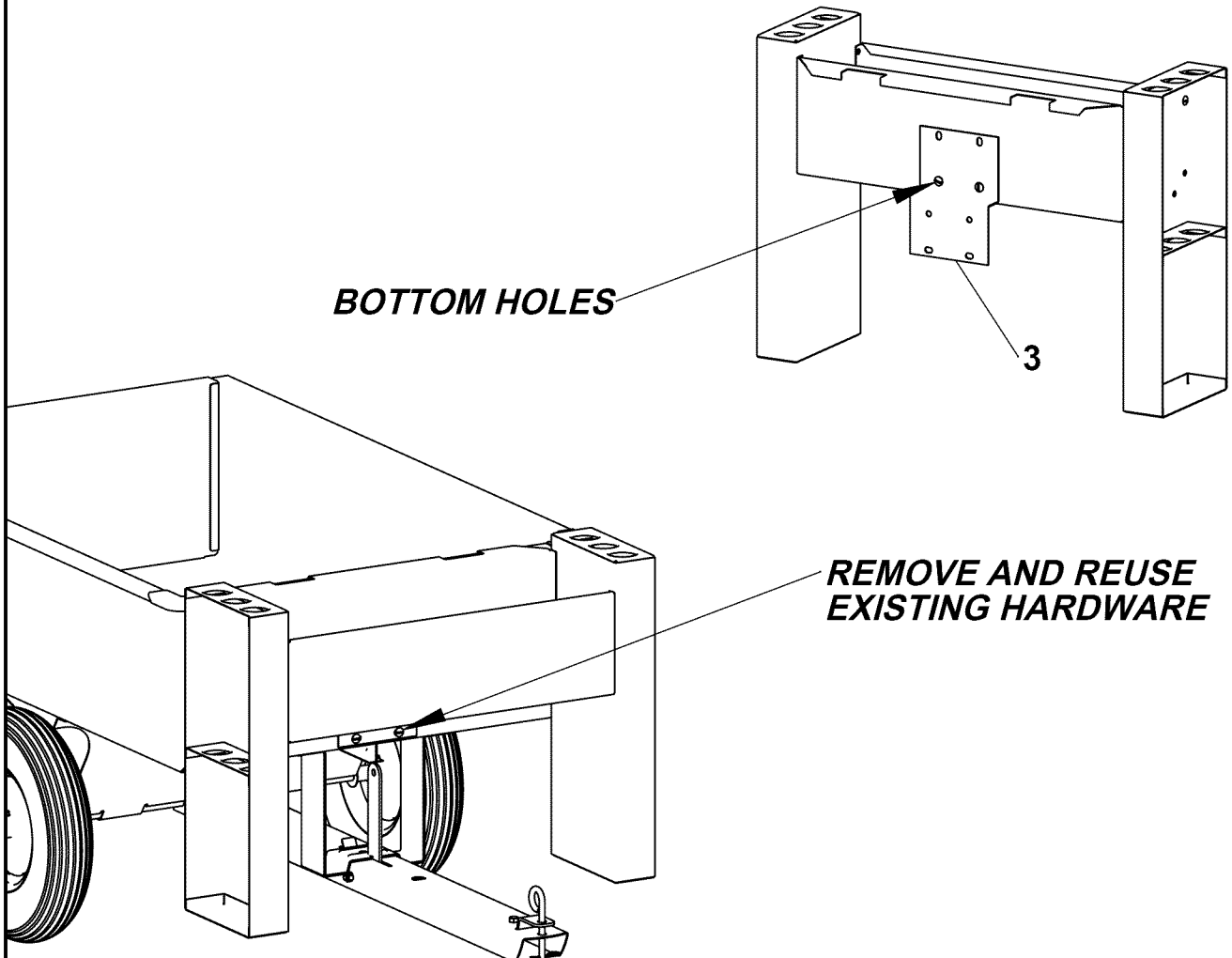
- Large Flat Screwdriver
- 1/2" Wrench or Socket

Assembly Instructions

- 1** Attach Sides to Tray and tighten hardware.



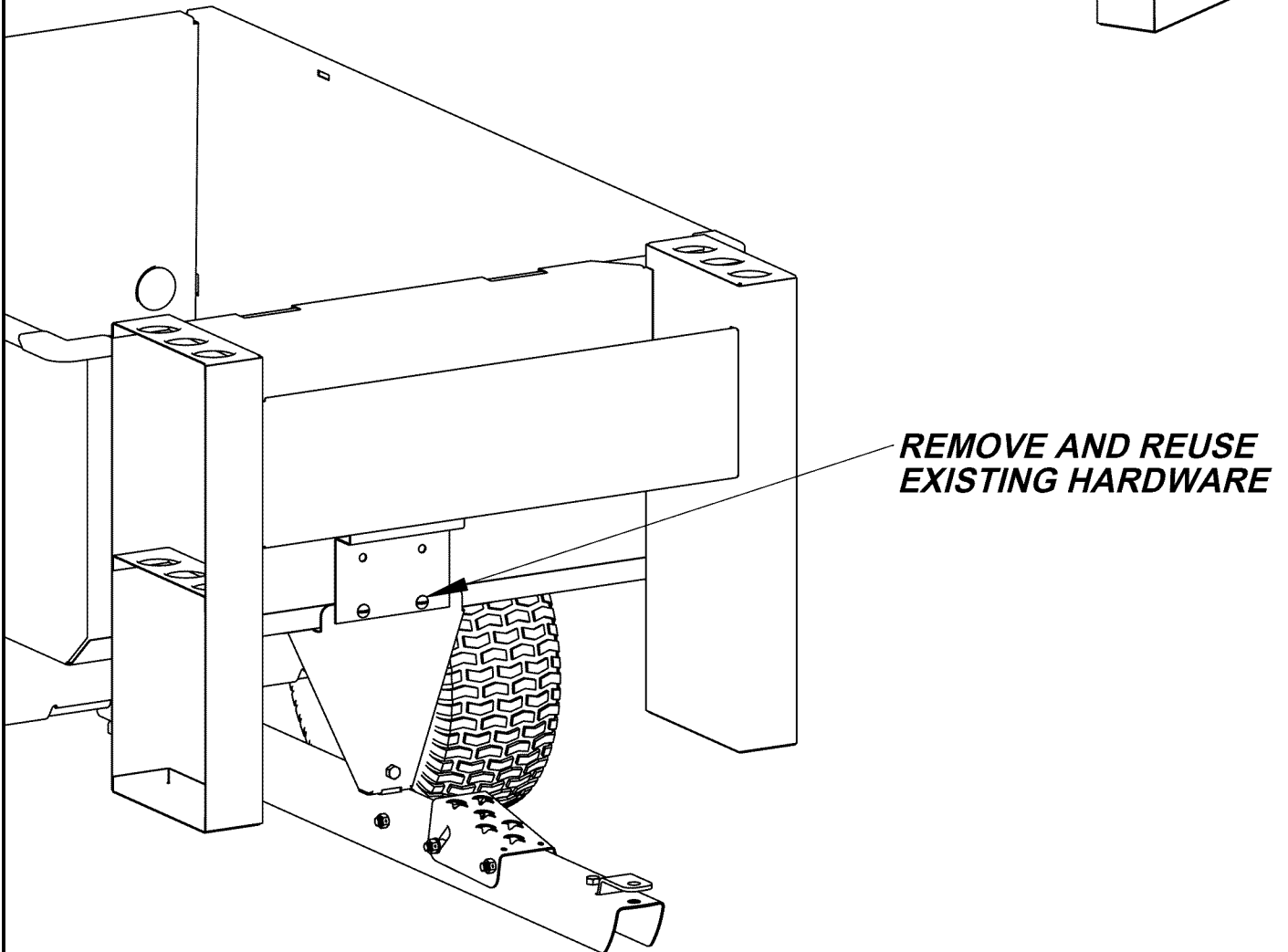
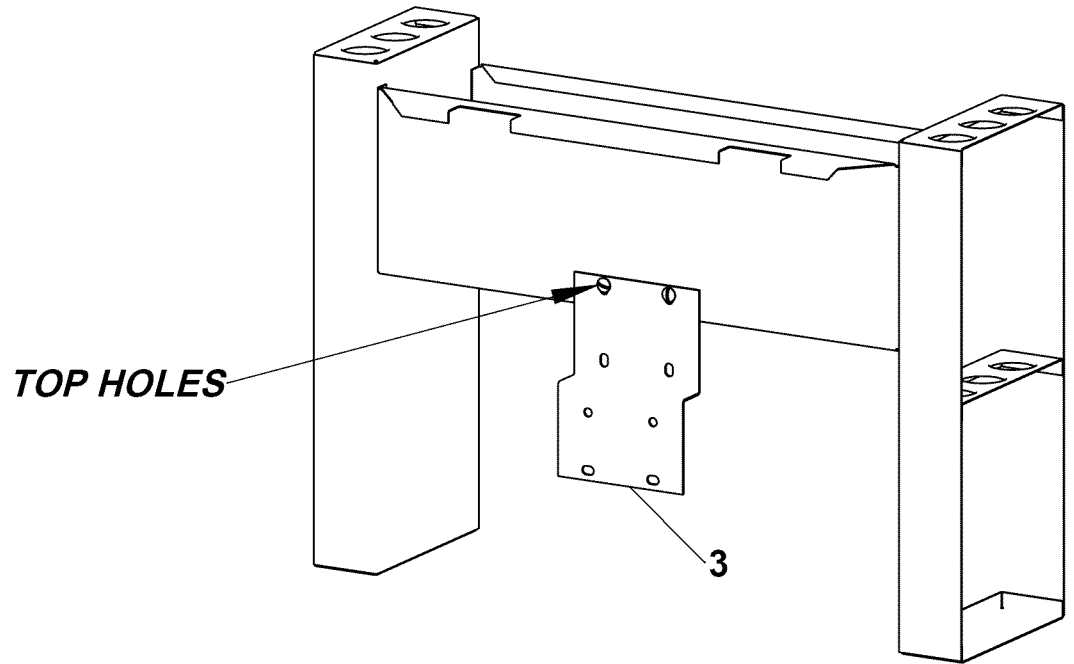
- 2a** For most 12" deep Steel Dump Carts, add Bracket as shown.



Assembly Instructions

2b

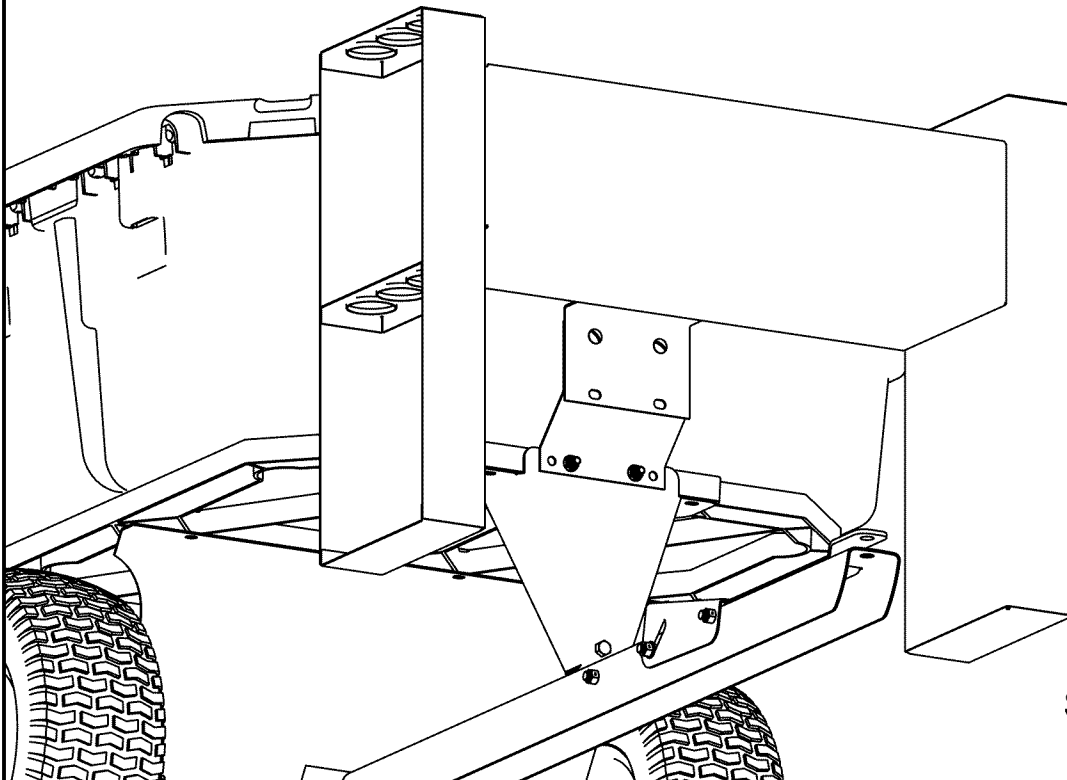
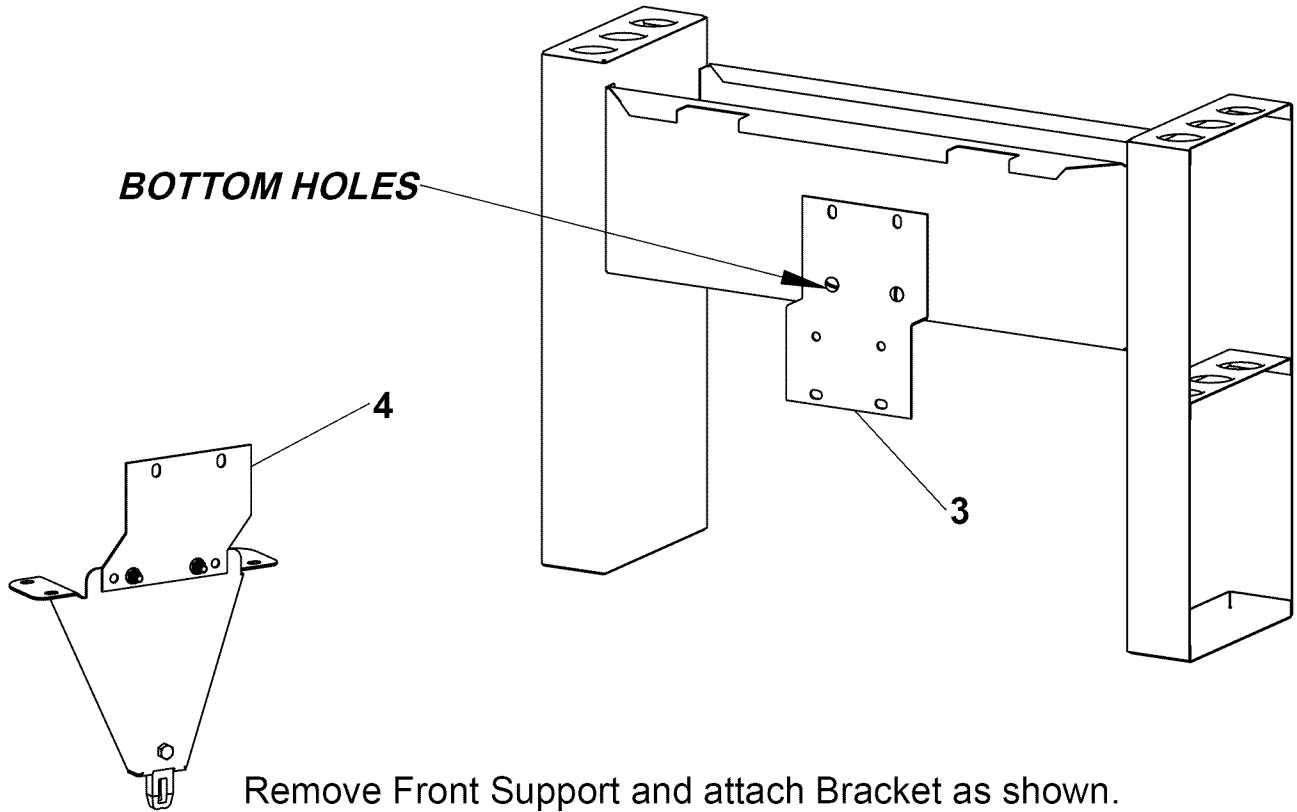
For most 15" deep Steel Dump Carts, add Bracket as shown.



Assembly Instructions

2c

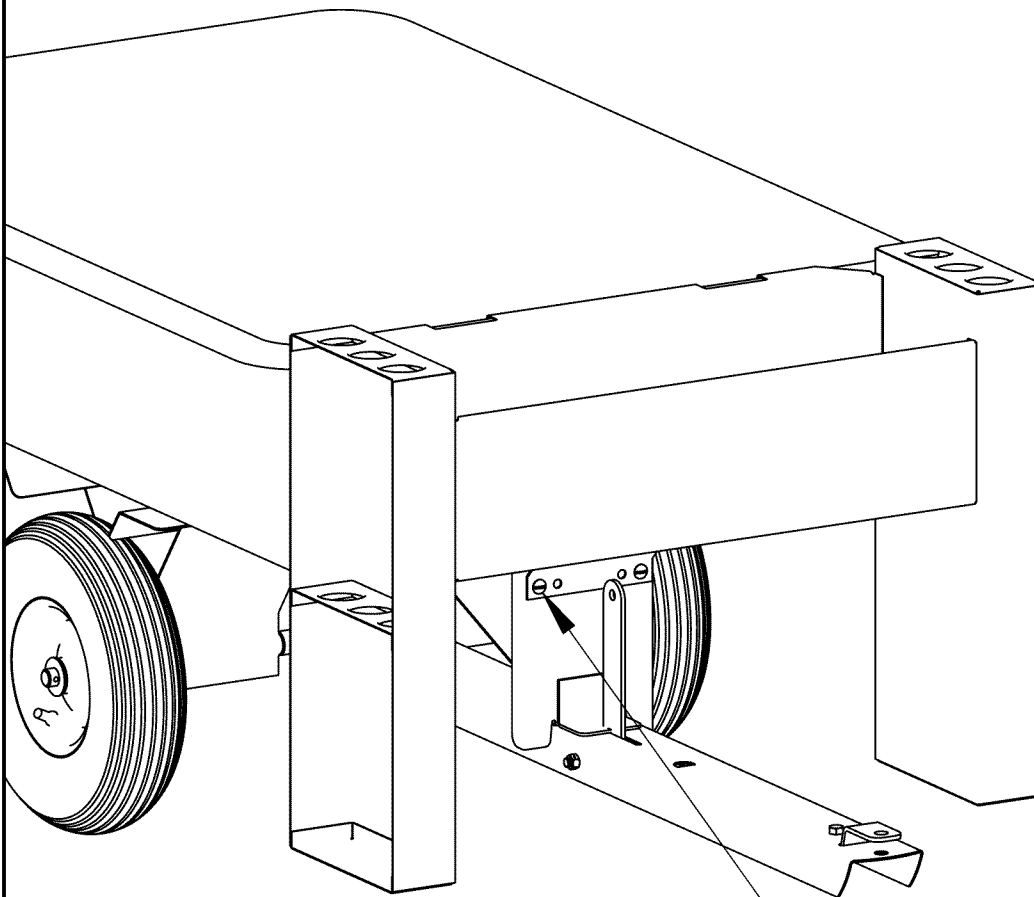
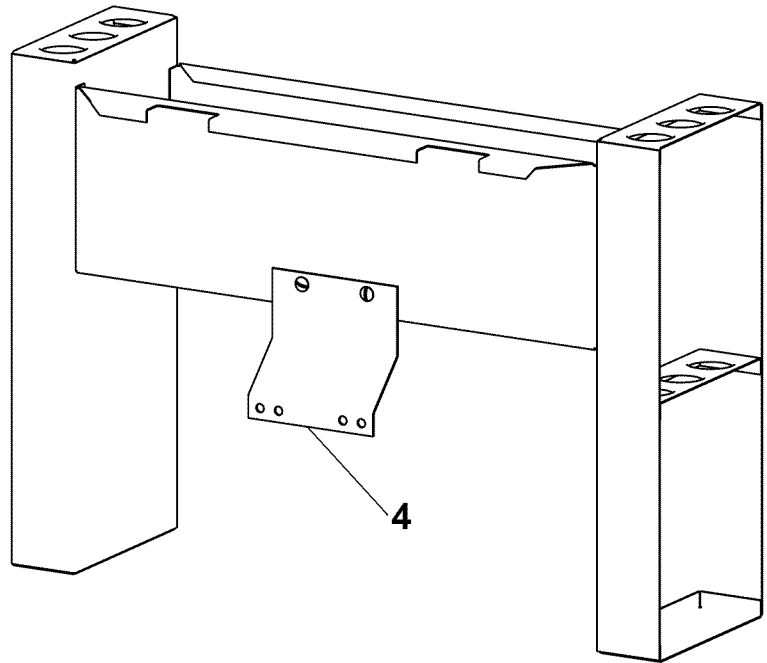
For 12.5 cu. ft. Poly Dump Cart, add Bracket as shown.



Assembly Instructions

2d

For 10 cu. ft. Poly Dump Cart, add Bracket as shown.



**REMOVE AND REUSE
EXISTING HARDWARE**

Warranty

If this product fails due to a defect in material or workmanship within TWO YEARS from the date of purchase, we will at our option repair or replace it free of charge.

This warranty does not cover:

- Repairs necessary because of operator abuse or negligence.
- Equipment used for commercial or rental purposes.
- Paint that is worn or faded due to normal use or exposure.

To arrange for product repair call 1-800-652-2321, or return this product to place of purchase for replacement.

This warranty gives you specific legal rights, and you may also have other rights which may vary from state to state. This warranty applies only while this product is in use in the United States.

In the space below record the purchase date of your Tool Caddy.

Model Number 610-24370

Purchase Date _____

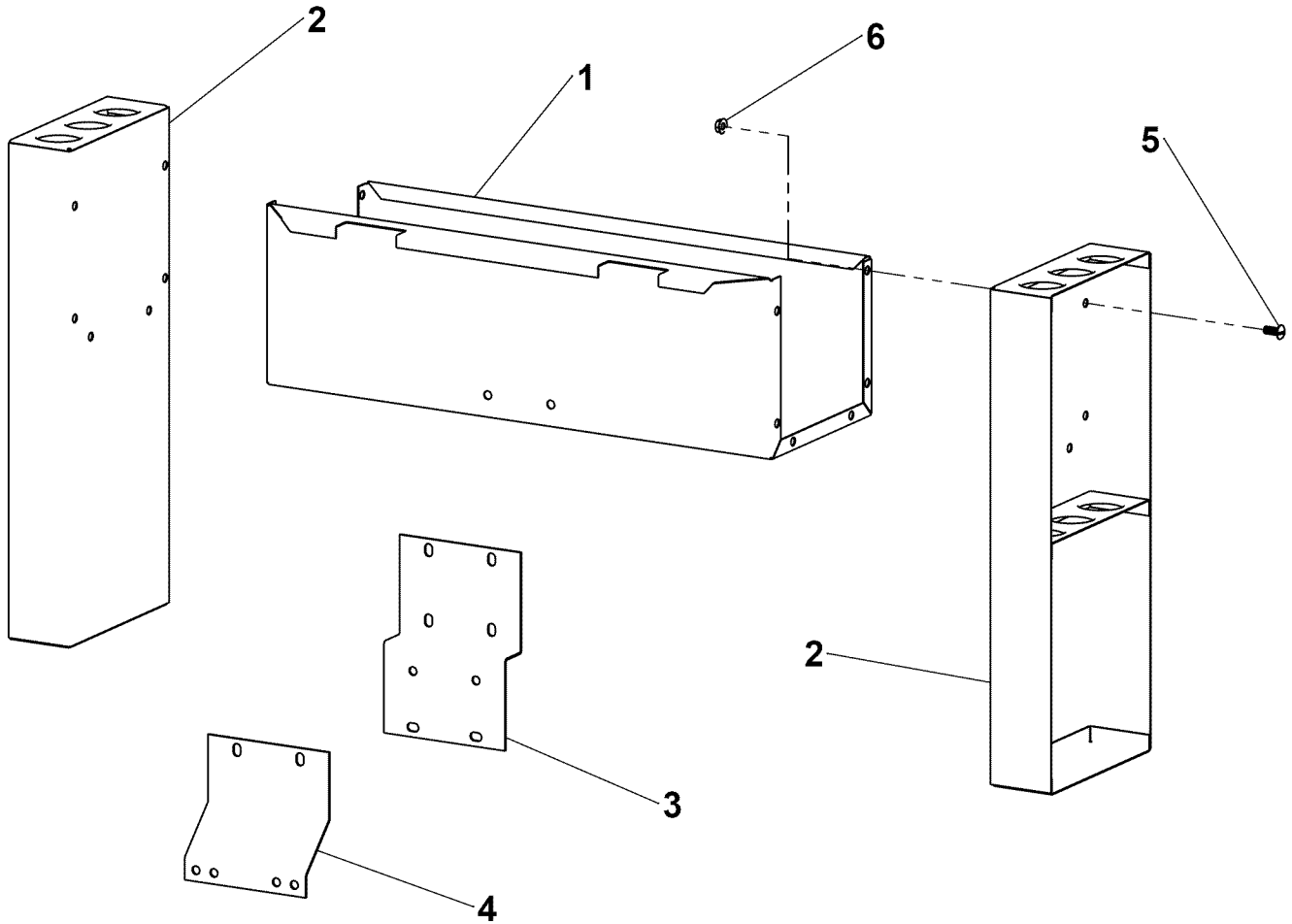
Keep this Owner's Manual and your receipt in a safe place for future reference.

After the two year warranty period all replacement parts may be ordered by calling **1-800-652-2321**.

When ordering replacement parts, always give the following information:

- Product LAWN CART TOOL CADDY
- Model Number 610-24370
- Part Number _____
- Part Description _____

Repair Parts



ITEM	PART NO	DESCRIPTION	QTY
1	6000447	Caddy Tray	1
2	6000448	Caddy Side	2
3	6000452	Support Bracket	1
4	6000453	Support Bracket	1
5	300054	5/16-18 x 3/4" Truss Hd Screw	18
6	6000418	5/16-18 Flange Lock Nut	18

www.ohiosteel.com
(800) 652-2321