



610-24366

STEEL UTILITY DECK



**READ AND FOLLOW ALL SAFETY RULES AND OPERATING
INSTRUCTIONS BEFORE USING THIS EQUIPMENT**

Safety Rules



This is the safety alert symbol. It is used to alert you to potential personal injury hazards. Obey all safety messages that follow this symbol to avoid possible injury or death.

Read and understand all safety rules and operating instructions before using this tractor attachment.

Follow all safety rules and operating instructions provided by your vehicle's manufacturer when using attachment.

Never allow children or untrained persons to operate vehicle or attachment.

Do not exceed the vehicle manufacturer's towed weight limit.

Reduce vehicle speed and allow extra stopping distance when towing heavy loads.

Reduce vehicle speed and towed weight when operating on slopes.

Operate up and down slopes, never across the face of slopes.

Do not carry passengers on vehicle or attachment.

Avoid sudden turns or maneuvers.

Do not tow attachment on public roadways.

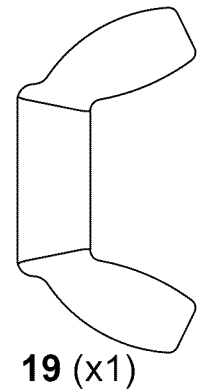
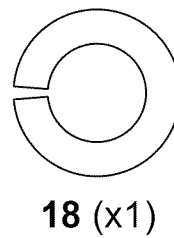
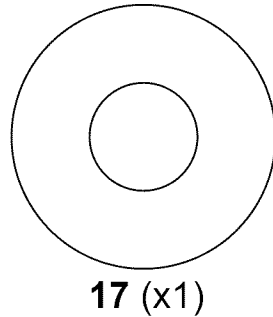
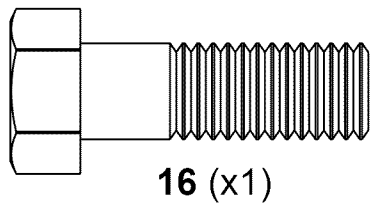
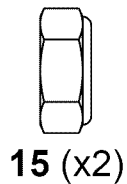
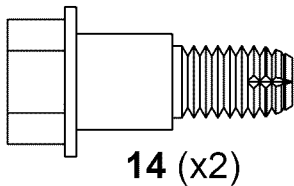
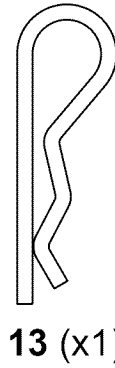
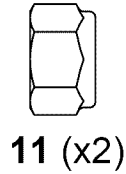
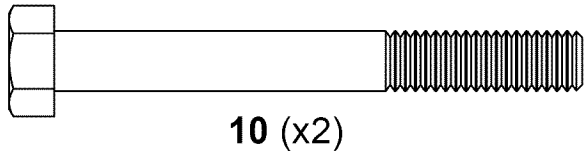
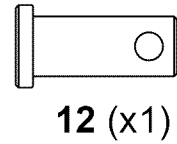
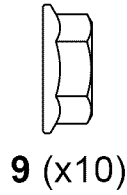
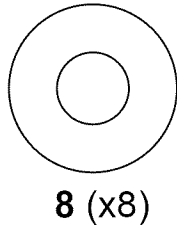
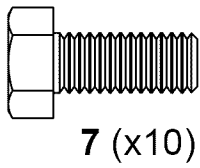
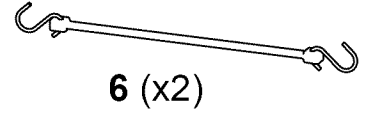
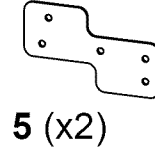
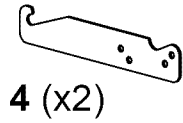
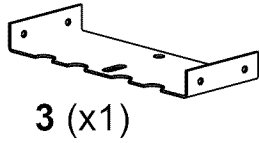
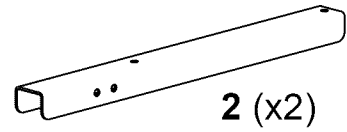
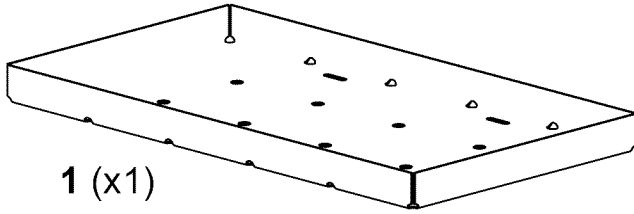
Do not remove warning decals from product.

Check product for worn, loose, or damaged parts before each use. If any damage is present, repair the product before using.

Check product for loose or missing fasteners before each use. Tighten or replace fasteners as needed before using.

Do not exceed Utility Deck rated weight capacity of 200 pounds.

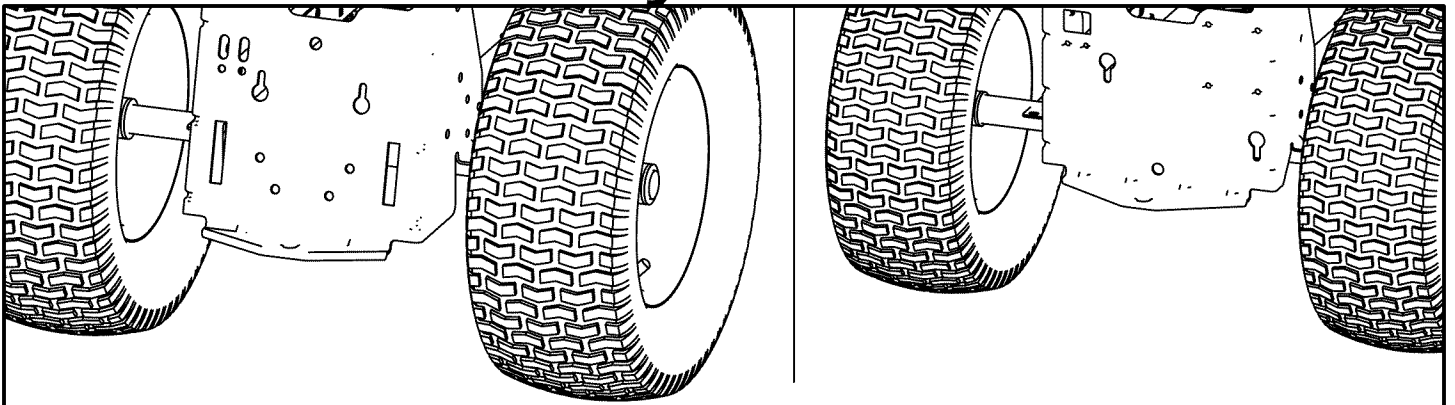
Carton Contents



TOOLS REQUIRED FOR ASSEMBLY:

- 1/2" Wrench and Socket
- 9/16" Wrench and Socket
- 3/4" Wrench

Assembly Instructions



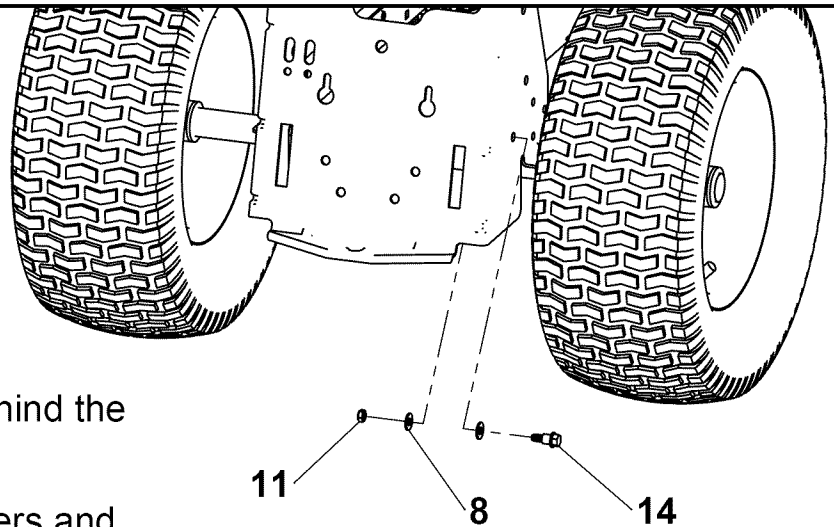
Identify your tractor model before assembling this product. Garden Tractors have sloped backs as shown on the left. Lawn Tractors have vertical backs as shown on the right.

1

For Garden Tractors:

Locate hole just above and behind the axle.

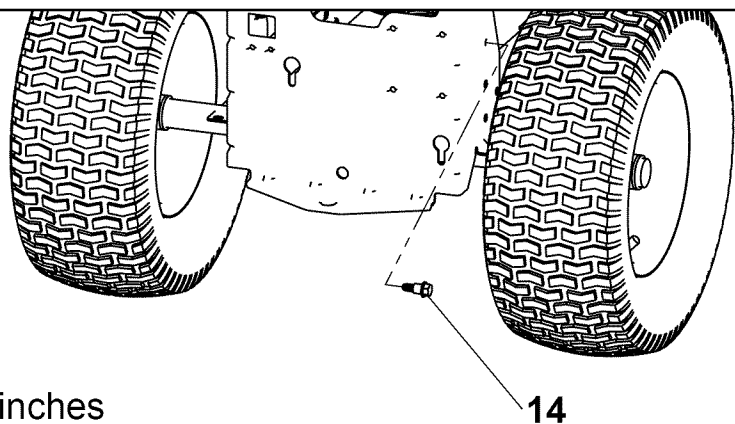
Install shoulder bolt with washers and lock nut as shown and tighten.



For Lawn Tractors:

Locate threaded hole roughly 5-6 inches above the axle. If a bolt is already installed, remove it.

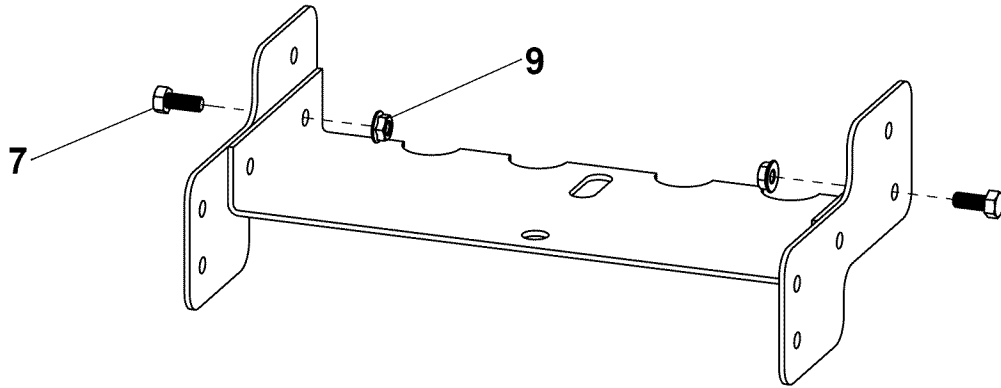
Install shoulder bolt as shown and tighten.



Assembly Instructions

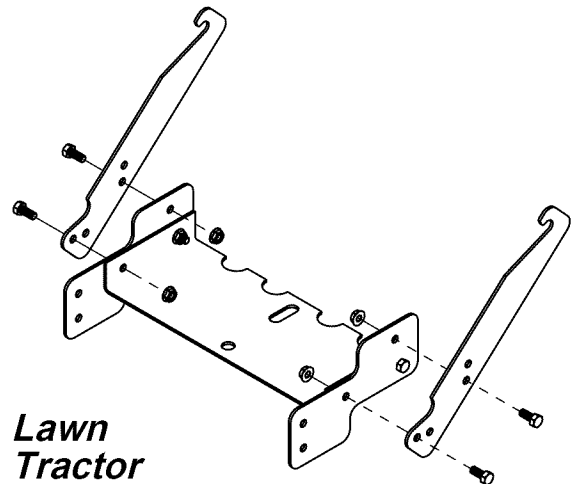
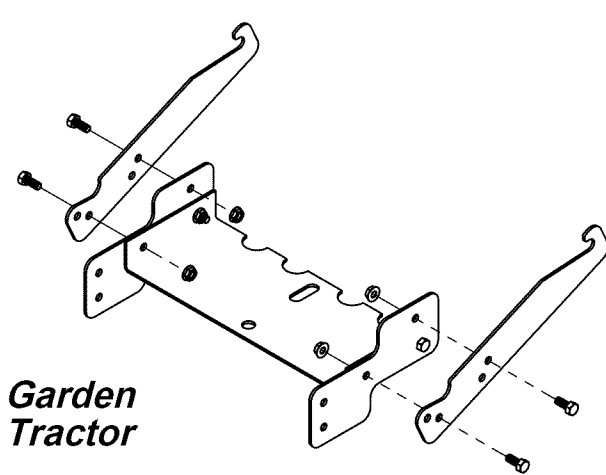
2

Attach Side Plates to Center Plate as shown but do not tighten hardware.



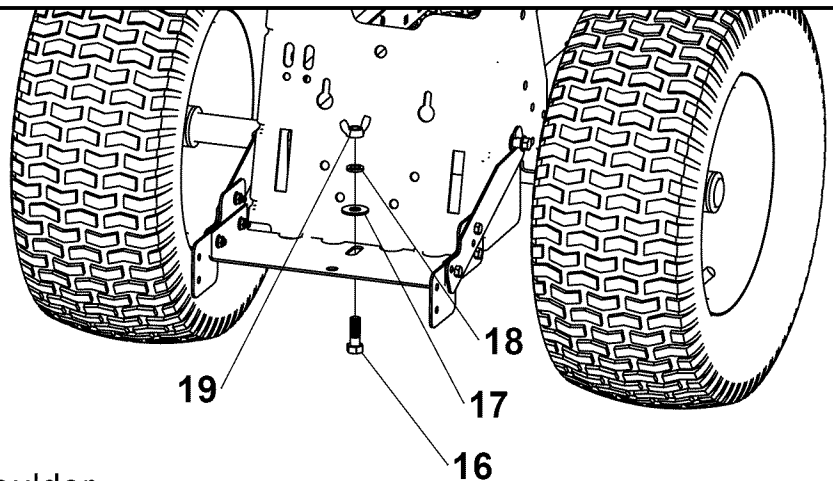
3

Refer to the appropriate drawing below for your tractor model, attach Tractor Brackets to Side Plates as shown and tighten all hardware.



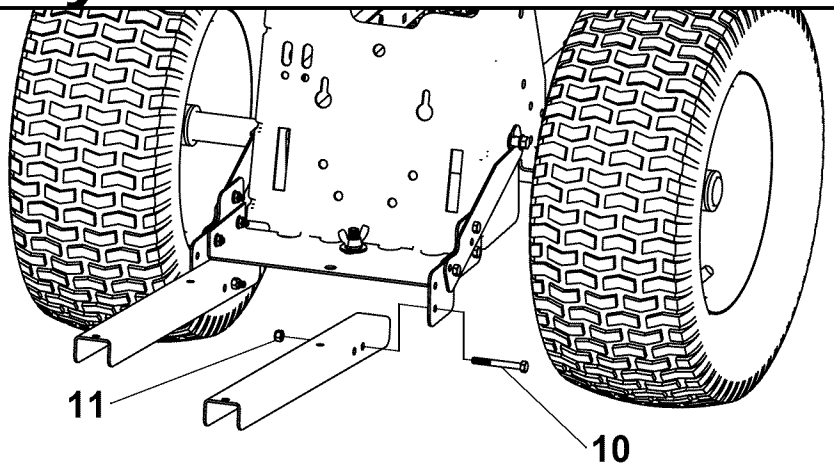
4

Hook Tractor Brackets onto shoulder bolts and secure Center Plate to tractor with hardware as shown.



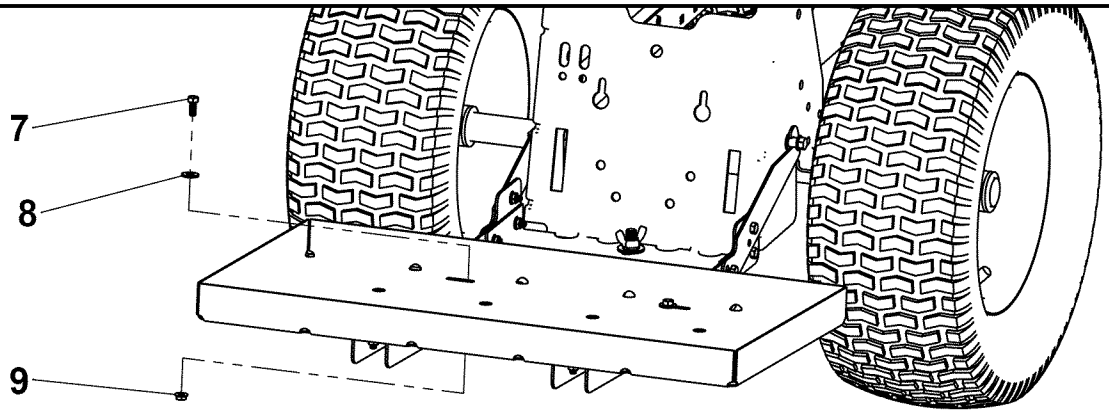
Assembly Instructions

5



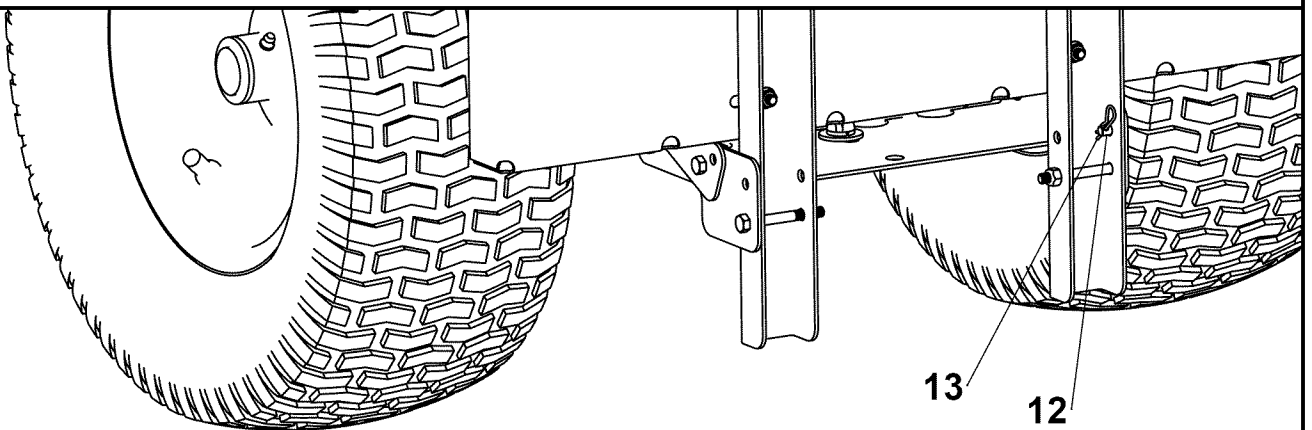
Attach Support Arms to Side Plates as shown.
Do not tighten nut completely, arms must freely rotate.

6



Attach Tray to Support Arms and tighten hardware.

7



Secure in upright position using Clevis Pin and Hairpin as shown.

Operating Instructions

Before Using Utility Deck:

1. Read all Safety Rules found on page 1.

How to Use Utility Deck:

1. Attach Utility Deck to your tractor as described in the assembly instructions.
2. Do not exceed 200 pounds when loading material onto the deck.
3. Distribute the weight of the load as evenly as possible on the deck for best handling.
4. Secure load to deck using the included bungee straps.
5. When hauling heavy loads, verify that your vehicle has adequate towing and braking capacity.
6. When not in use, Utility Deck can be stored vertically as shown in Step 7 of the assembly instructions.
7. Additional tractor attachments can be used while Utility Deck is stored in the vertical position by using the rear hitch hole provided in the Utility Deck.

How to Remove Utility Deck:

1. To remove Utility Deck entirely from tractor, simply unscrew the wingnut.
2. Lift Utility Deck and unhook from shoulder bolts.

Periodic Maintenance:

- Tighten fasteners as needed before each use

Warranty

If this product fails due to a defect in material or workmanship within TWO YEARS from the date of purchase, we will at our option repair or replace it free of charge. This warranty excludes tires and wheels, which are expendable and become worn during normal use.

This warranty does not cover:

- Repairs necessary because of operator abuse or negligence.
- Equipment used for commercial or rental purposes.
- Paint that is worn or faded due to normal use or exposure.

To arrange for product repair call 1-800-652-2321, or return this product to place of purchase for replacement.

This warranty gives you specific legal rights, and you may also have other rights which may vary from state to state. This warranty applies only while this product is in use in the United States.

In the space below record the purchase date of your Utility Deck.

Model Number 610-24366

Purchase Date _____

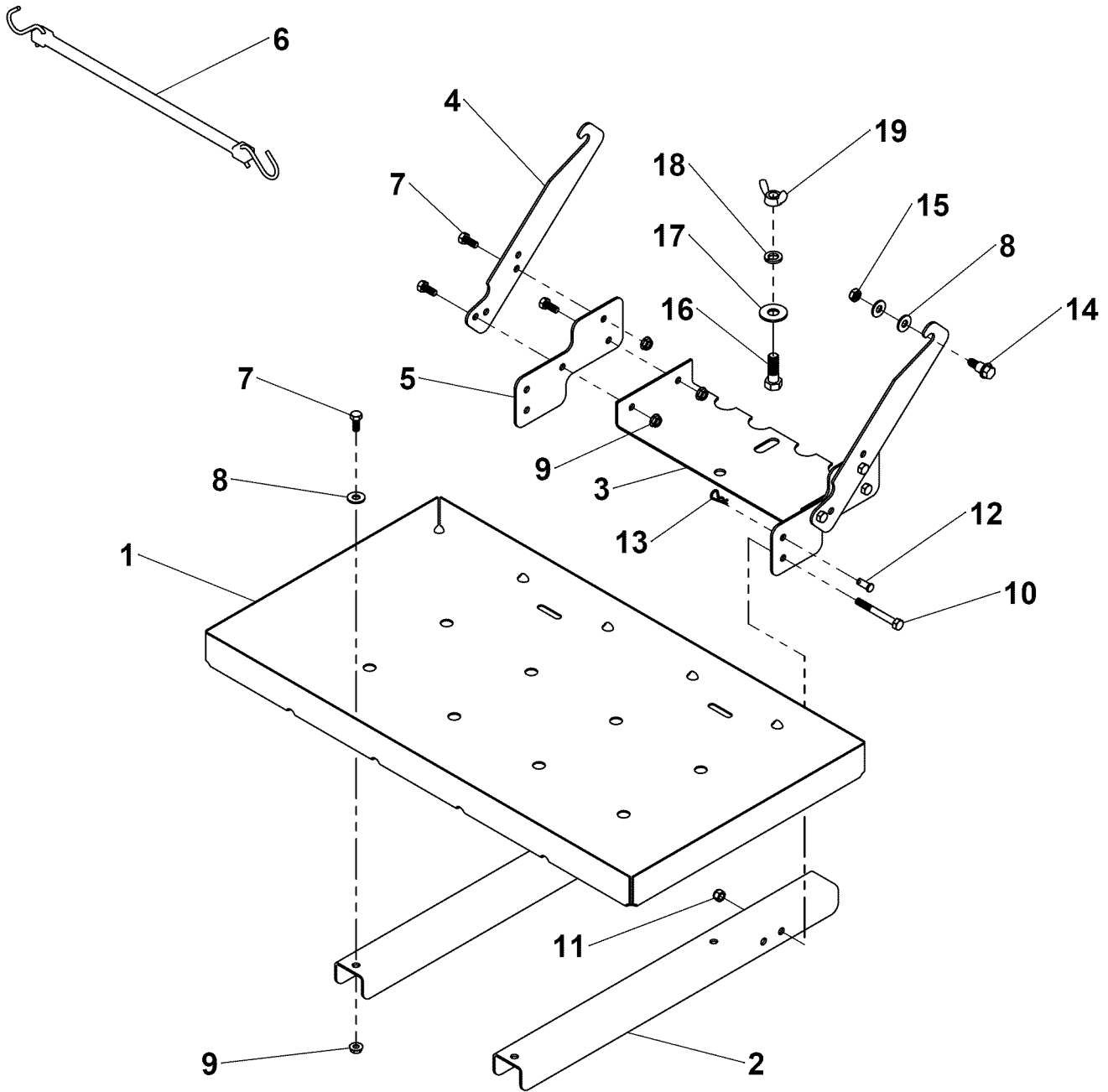
Keep this Owner's Manual and your receipt in a safe place for future reference.

After the two year warranty period all replacement parts may be ordered by calling **1-800-652-2321**.

When ordering replacement parts, always give the following information:

- Product STEEL UTILITY DECK
- Model Number 610-24366
- Part Number _____
- Part Description _____

Repair Parts



ITEM	PART NO	DESCRIPTION	QTY	ITEM	PART NO	DESCRIPTION	QTY
1	6000455	Deck	1	11	3000616	5/16-18 Nyloc Hex Nut	2
2	6000457	Support Arm	2	12	6000443	Clevis Pin, 5/16" x 3/4"	1
3	6000456	Center Plate	1	13	6000372	Hairpin, 1-9/16"	1
4	6000458	Tractor Bracket	2	14	6000444	Shoulder Bolt	2
5	6000459	Side Plate	2	15	6000337	3/8-16 Nyloc Hex Nut (Thin)	2
6	303172	Bungee Strap	2	16	6000441	1/2-13 x 1-1/2" Hex Bolt	1
7	6000440	5/16-18 x 3/4" Hex Bolt	10	17	300075	1/2" USS Flat Washer	1
8	3000711	5/16" USS Flat Washer	8	18	6000442	1/2" Split Lockwasher	1
9	6000418	5/16-18 Flange Lock Nut	10	19	6000439	1/2-13 Wingnut	1
10	300057	5/16-18 x 2-3/4" Hex Bolt	2				

www.ohiosteel.com
(800) 652-2321