

KitchenAid®

6 SLICE/
TRANCHE/
REBANADA

COUNTERTOP OVEN FOUR DE COMPTOIR HORNO DE LA MESADA DE COCINA

INSTRUCTIONS/INSTRUCTIONS/INSTRUCCIONES



KCO22



KCO223

W10321639B



FOR THE WAY IT'S MADE.®

U.S.A.: 1-800-541-6390
Canada: 1-800-807-6777

KitchenAid.com
KitchenAid.ca

TABLE OF CONTENTS

KITCHENAID® COUNTERTOP OVEN SAFETY	3	Food Cooking Tips.....	14
ELECTRICAL REQUIREMENTS	5	Choosing Bakeware for Countertop Oven Use:.....	15
KITCHENAID® COUNTERTOP OVEN FEATURES	6	KITCHENAID® COUNTERTOP OVEN CARE ...	15
KITCHENAID® COUNTERTOP OVEN CONTROLS	8	Cleaning Your Countertop Oven.....	15
Countertop Oven Features.....	9	TROUBLESHOOTING	16
PREPARING THE KITCHENAID® COUNTERTOP OVEN FOR USE	10	PROOF OF PURCHASE AND PRODUCT REGISTRATION	16
KITCHENAID® COUNTERTOP OVEN USE	11	WARRANTY	17
Understanding Positions of the oven rack.....	11	Hassle-Free Replacement Warranty – 50 United States and District of Columbia	18
Baking (and Reheating) with the Countertop Oven	12	Hassle-Free Replacement Warranty – Canada	18
Broiling (and Top Browning) with the Countertop Oven.....	12	How to Arrange for Warranty Service in Puerto Rico.....	18
Toasting with the Countertop Oven.....	13	How to Arrange for Service after the Warranty Expires – All Locations.....	18
Warming (Plus Keeping Warm and Heating) with the Countertop Oven.....	13	How to Arrange for Service Outside These Locations	19
Countertop Oven Use Tips	14	How to Order Accessories and Replacement Parts	19

TABLE DES MATIÈRES

CONSIGNES DE SÉCURITÉ DU FOUR DE COMPTOIR	21	Conseils de cuisson	32
SPÉCIFICATIONS ÉLECTRIQUES	23	Choix des ustensiles de cuisson au four pour utilisation dans le four de comptoir :	33
CARACTÉRISTIQUES DU FOUR DE COMPTOIR KITCHENAID®	24	ENTRETIEN DU FOUR DE COMPTOIR KITCHENAID®	33
COMMANDES DU FOUR DE COMPTOIR KITCHENAID®	26	Nettoyage du four de comptoir.....	33
Caractéristiques du four de comptoir.....	27	DÉPANNAGE	34
PRÉPARATION DU FOUR DE COMPTOIR KITCHENAID® POUR UTILISATION	28	PREUVE D'ACHAT ET ENREGISTREMENT DU PRODUIT	34
UTILISATION DU FOUR DE COMPTOIR KITCHENAID®	29	GARANTIE	35
Clarification des positions de la grille du four de comptoir.....	29	Garantie de remplacement sans difficulté - pour les 50 États des États-Unis et le district fédéral de Columbia.....	36
Cuisson au four (et réchauffage) avec le four de comptoir.....	30	Garantie de remplacement sans difficulté - Canada	36
Cuisson au gril (et gratinage) avec le four de comptoir	30	Dispositions nécessaires pour un service sous garantie à Porto Rico.....	36
Grillage avec le four de comptoir.....	31	Dispositions nécessaires pour une intervention de dépannage après expiration de la garantie - Tous les pays.....	37
Réchauffage (plus maintien au chaud et chauffage) avec le four de comptoir	32	Dispositions nécessaires pour un service en dehors de ces pays.....	37
Conseils pour l'utilisation du four de comptoir	32	Commander des accessoires et des pièces de rechange.....	37

ÍNDICE

HORNO PARA MOSTRADOR KITCHENAID® ..38	Consejos para la cocción de alimentos..... 50
REQUISITOS ELÉCTRICOS.....40	Selección de utensilios para hornear para usarse con el horno de mostrador:..... 50
CARACTERÍSTICAS DEL HORNO PARA MOSTRADOR KITCHENAID®.....41	CUIDADO DEL HORNO PARA MOSTRADOR KITCHENAID®.....50
CONTROLES DEL HORNO PARA MOSTRADOR KITCHENAID®.....43	Limpieza del horno para mostrador.....50
Características del horno para mostrador.....44	SOLUCIÓN DE PROBLEMAS.....51
PREPARACIÓN DEL HORNO PARA MOSTRADOR KITCHENAID® PARA EL USO ..45	COMPROBANTE DE COMPRA Y REGISTRO DEL PRODUCTO52
USO DEL HORNO PARA MOSTRADOR KITCHENAID®.....46	GARANTÍA®.....53
Explicación de las posiciones de la rejilla del horno46	Garantía de reemplazo sin dificultades – en los 50 estados de Estados Unidos y el Distrito de Columbia 54
Cómo hornear (y recalentar) con el horno para mostrador.....47	Garantía de reemplazo sin dificultades - en Canadá..... 54
Cómo asar (y dorar) con el horno para mostrador.....47	Cómo obtener servicio bajo la garantía en Puerto Rico.....55
Cómo tostar con el horno para mostrador.....48	Cómo obtener servicio después de que expire la garantía - En todas las ubicaciones.55
Cómo calentar (y mantener caliente) con el horno para mostrador49	Cómo obtener servicio en otros lugares55
Consejos para el uso del horno para mostrador.....49	Cómo pedir accesorios y piezas de repuesto 55

KITCHENAID® COUNTERTOP OVEN SAFETY

Your safety and the safety of others are very important.

We have provided many important safety messages in this manual and on your appliance. Always read and obey all safety messages.



This is the safety alert symbol.

This symbol alerts you to potential hazards that can kill or hurt you and others.

All safety messages will follow the safety alert symbol and either the word "DANGER" or "WARNING." These words mean:

⚠ DANGER

You can be killed or seriously injured if you don't immediately follow instructions.

⚠ WARNING

You can be killed or seriously injured if you don't follow instructions.

All safety messages will tell you what the potential hazard is, tell you how to reduce the chance of injury, and tell you what can happen if the instructions are not followed.

IMPORTANT SAFEGUARDS

When using electrical appliances, basic safety precautions should always be followed, including the following:

- Read all instructions.
- Do not touch hot surfaces. Use handles or knobs.
- To protect against electrical shock, do not immerse cord, plugs, or any parts of the oven in water or other liquid.
- Close supervision is necessary when any appliance is used by or near children.
- Unplug from outlet when not in use and before cleaning. Allow to cool before putting on or taking off parts.
- Do not operate any appliance with a damaged cord or plug or after the appliance malfunctions or has been damaged in any manner. Return appliance to the nearest Authorized Service Center for examination, repair or adjustment.
- The use of accessory attachments not recommended by the appliance manufacturer may cause injuries.
- Do not let cord hang over edge of table or counter, or touch hot surfaces.
- Do not place on or near a hot gas or electric burner, or in a heated oven.
- Extreme caution must be used when moving an appliance containing hot oil or other hot liquids.
- Use extreme caution when removing broiler pan tray or disposing of hot grease.
- Oversize foods or metal utensils must not be inserted in a Countertop Oven as they may create a fire or risk of electric shock.
- A fire may occur if Countertop Oven is covered or touching flammable material, including curtains, draperies, walls and the like, when in operation. Do not store any item on top of the appliance when in operation.
- Do not clean with metal scouring pads. Pieces can break off the pad and touch electrical parts, creating a risk of electric shock.
- Extreme caution should be exercised when using containers constructed of materials other than metal or glass.
- Do not store any materials, other than manufacturers recommended accessories, in this oven when not in use.
- Do not place any of the following materials in the oven: paper, cardboard, plastic, or anything similar.
- Do not cover crumb drawer or any part of the oven with metal foil. This will cause overheating of the oven.
- To disconnect, turn oven off by turning the Time control knob to its 0 (off) position, then remove plug from wall outlet.
- Do not use outdoors.
- Do not use appliance for other than intended use.
- This product is designed for household use only.

SAVE THESE INSTRUCTIONS

ELECTRICAL REQUIREMENTS

⚠ WARNING



Electrical Shock Hazard

Plug into a grounded 3 prong outlet.

Do not remove ground prong.

Do not use an adapter.

Do not use an extension cord.

Failure to follow these instructions can result in death, fire, or electrical shock.

Voltage: 120 volts, AC only.

Hertz: 60 Hz

NOTE: This countertop oven has a 3-prong grounded plug. To reduce the risk of electrical shock, this plug will fit in an outlet only one way. If the plug does not fit in the outlet, contact a qualified electrician. Do not modify the plug in any way.

Do not use an extension cord. If the power supply cord is too short, have a qualified electrician or technician install an outlet near the appliance.

A short power supply cord (or detachable power supply cord) should be used to reduce the risk resulting from becoming entangled in or tripping over a longer cord.

Longer detachable power supply cords or extension cords are available and may be used if attention is exercised in their use.

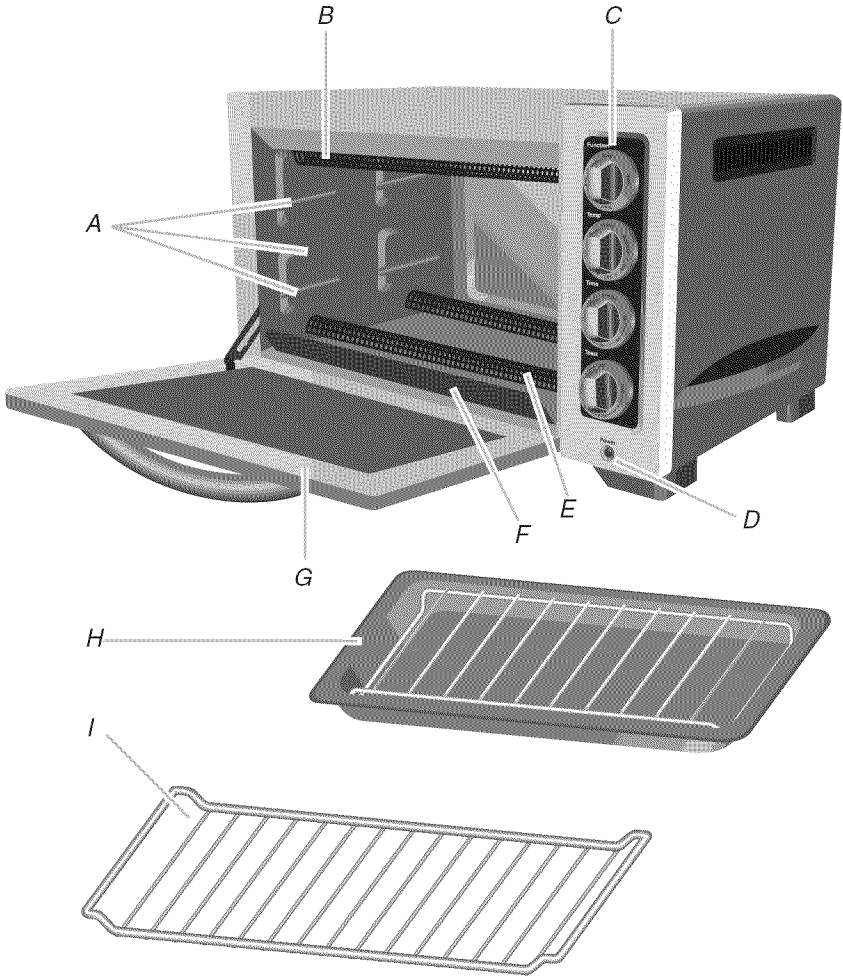
If a longer detachable power supply cord or extension cord is used:

- The marked electrical rating of the cord set or extension cord should be at least as great as the electrical rating of the appliance.
- The cord should be arranged so that it will not drape over the countertop or tabletop where it can be pulled on by children or tripped over unintentionally.

If the appliance is of the grounded type, the extension cord should be a grounding-type 3-wire cord.

KITCHENAID® COUNTERTOP OVEN FEATURES

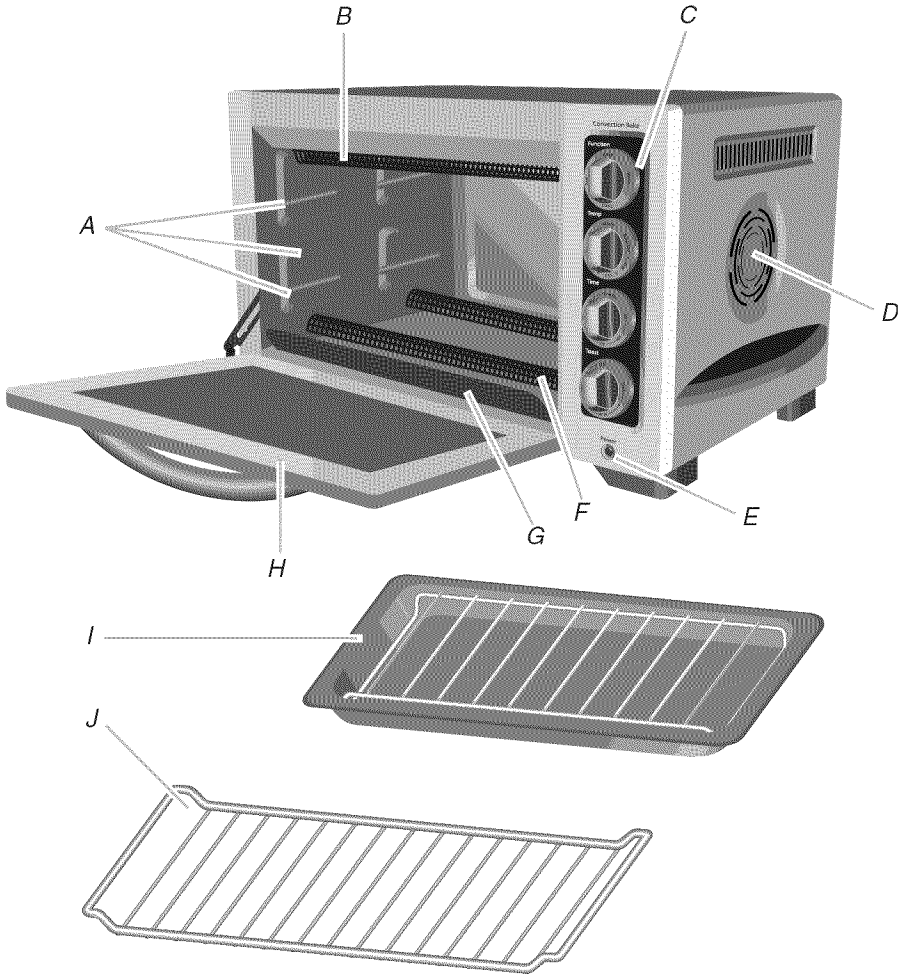
12" (30.2 cm) Standard Model KCO222 Features



- A. Rack-positioning slots
- B. Upper cooking elements
- C. Countertop oven controls:
Function, Temp, Time and
Toast
- D. Power on indicator light

- E. Lower cooking elements
- F. Removable crumb tray
- G. Countertop oven door
- H. Broiler pan with grill
- I. 2 position countertop oven
rack; up or down (2)

12" (30.2 cm) Convection Bake Model KCO223 Features



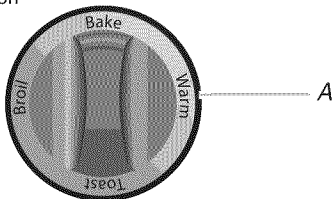
- A. Rack-positioning slots
- B. Upper cooking elements
- C. Countertop oven controls:
Function, Temp, Time and
Toast
- D. Convection Bake fan
- E. Power on indicator light

- F. Lower cooking elements
- G. Removable crumb tray
- H. Countertop oven door
- I. Broiler pan with grill
- J. 2 position countertop oven
rack; up or down (2)

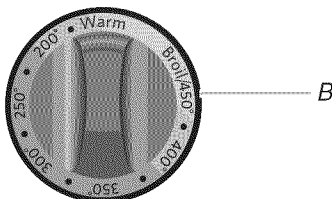
KITCHENAID® COUNTERTOP OVEN CONTROLS

This manual covers different models. The appearances of the items shown here may not match those of your model.

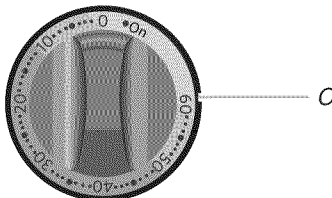
Function



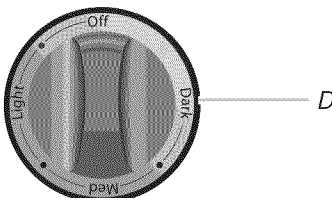
Temp



Time



Toast



Power



- A. Function control knob
- B. Temperature control knob
- C. Time control knob
- D. Toast control knob
- E. Power on indicator light

Countertop Oven Features

This manual covers different models. The appearances of the items shown here may not match those of your model.

Cooking Elements

Four cooking elements produce up to 1440 watts for baking, broiling, toasting, and warming for even heating.

Control Panel

Four large knobs have versatile settings for Function, Temperature, Time and Toast. The Power on indicator light glows blue when the oven is operating.

Broil Pan with Grill

An easy-to-clean broil pan is used with a special grill for baking, broiling, and warming. The broil pan with grill can be placed directly on the oven rack in the desired location for cooking.

Countertop Oven Racks

The 6-slice capacity racks are reversible for optimal cooking positions.

Countertop Oven Cavity

The 12" (30.2 cm) deep, 0.6 cu. ft (0.018 cu. m) oven cavity features a nonstick coating for ease of cleaning.

Toast Timer Control

For more accurate toasting; dark, medium or light. The timer control bell will sound when the desired toasting selection is ready.

Cook Timer

The countertop oven has a cook timer that can be used for up to 60 minutes of continuous cooking.

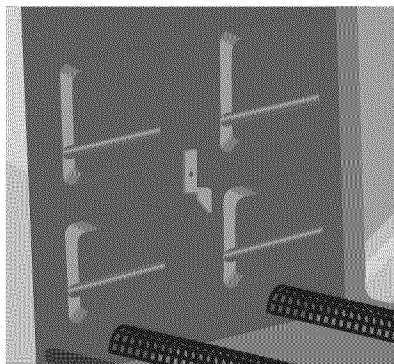
Constant "On" Feature

The constant "on" feature allows extended cooking time up to 4 hours. Turn the Time control knob to the left to enable the constant "on" feature. The constant "on" feature can be used in combination with the Bake, Broil or Warm functions. Turn the Time control knob to "0" to turn "off" the constant "on" feature.

NOTE: The oven has a 4 hour auto shutoff feature. If the constant "on" feature is being used, the oven will automatically shut off after 4 hours and the power on indicator light will flash rapidly.

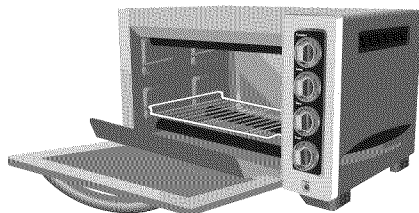
Rack-Positioning Slots

Upper, middle and lower slots along the oven sides, combined with the reversible oven rack, can hold the food in up to 6 cooking positions. The middle rack position slot contains a rack stop.



Removable Crumb Tray

The Crumb tray is located inside the oven and can be accessed by opening the oven door for cleaning. Hand washing is recommended.



Countertop Oven Door

The durable metal-framed door has a large stainless steel handle and a see-through, tempered glass window.

Countertop Oven Cabinet

Stylish stainless steel top and control panel are matched to painted side panels.

Convection Bake Feature (model KCO223 only)

An automatic Convection Bake feature on model KCO223 will operate only when the Bake function is selected. The Convection Bake function will continuously circulate heat while baking.

Heated air is generated and circulates heat at the desired temperature by the built-in fan. For better cooking results use the right cooking pan to allow for proper air circulation.

PREPARING THE KITCHENAID® COUNTERTOP OVEN FOR USE

Before First Use:

1. Place the countertop oven on a dry, flat, level surface such as a countertop or table.
2. Be sure the sides, back and top of the oven are at least 4" (10.16 cm) away from any walls, cabinets or objects on the counter or table.
3. Remove all accessories and wash in hot, sudsy water. Dry thoroughly before placing in the oven.
4. Remove all packaging materials and labels, if present.

NOTE: Upon first use, the oven may produce light smoke. This is normal.

Before Each Use:

1. Remove all items not required for the next cooking procedure.

⚠ WARNING



Electrical Shock Hazard

Plug into a grounded 3 prong outlet.

Do not remove ground prong.

Do not use an adapter.

Do not use an extension cord.

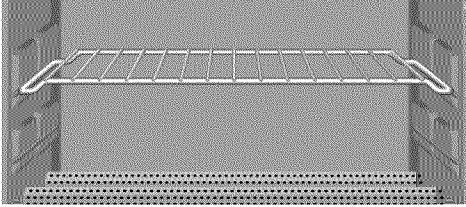
Failure to follow these instructions can result in death, fire, or electrical shock.

2. Plug into a grounded 3 prong outlet. The countertop oven should be the only appliance operating on the circuit.
3. The countertop oven is now ready to use.

KITCHENAID® COUNTERTOP OVEN USE

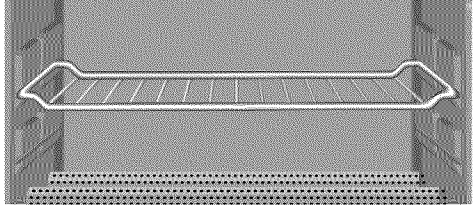
Understanding Positions of the oven rack

Food cooks uniformly as warmed air moves around the oven rack. Up to 6 slices of bread may be placed directly on the rack for toasting. This unique 6-position rack also holds the broil pan with grill, baking pans or dishes, and standard bakeware. Here is a guide to adjusting your oven rack for optimal cooking performance.



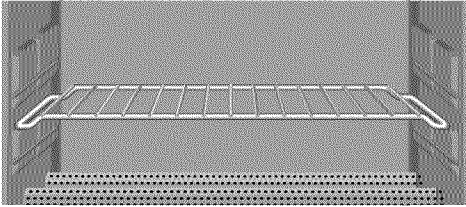
Position A

Use the upper slots along countertop oven walls. Slide in the countertop oven rack, using a rack-up orientation.



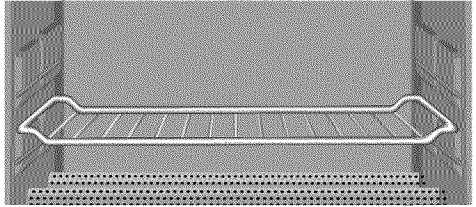
Position B

Use the upper slots along countertop oven walls. Slide in the countertop oven rack, using a rack-down orientation.



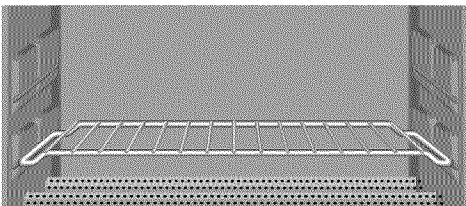
Position C

Use the middle slots along countertop oven walls. Slide in the countertop oven rack, using a rack-up orientation. The middle rack position contains a rack stop.



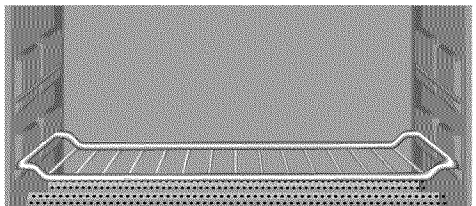
Position D

Use the middle slots along countertop oven walls. Slide in the countertop oven rack, using a rack-down orientation. The middle rack position contains a rack stop.



Position E

Use the lower slots along countertop oven walls. Slide in the countertop oven rack, using a rack-up orientation.



Position F

Use the lower slots along countertop oven walls. Slide in the countertop oven rack, using a rack-down orientation.

Baking (and Reheating) with the Countertop Oven

Both the top and bottom cooking elements will cycle on and off while baking in order to maintain the desired oven temperature. For Convection Bake model KCO223, the convection fan will only run when the Bake function is selected to circulate heat at the desired oven temperature. The Convection Bake function does what a conventional oven does to bake and roast but generally in a shorter amount of time. For better cooking results use the right cooking pan to allow for proper air circulation. Recipes will vary and cooking time will need to be monitored for desired results.

Recommended Rack Positions:

When first using the oven, position the oven rack as shown by Position C (middle slot, rack up) in the “Understanding Positions of the Oven Rack” section. Then, adjust as needed for your cooking situation. Remember to allow space for food to rise.

To Bake:

1. Place the rack in a low position so that the food to be baked or heated will be in the center of the oven.
2. Close door.
3. Turn the Function control knob to BAKE.
4. Turn the Temperature control knob to the right to the desired temperature. Bake according to package or recipe instructions (usually 350°F – 425°F [177°C – 218°C]).
5. Preheat the oven for 5 minutes for baking (and reheating) by turning the Time control knob to the right past the 10-minute position, then moving it back to the first dot (5-minute position). After 5 minutes, the bell will sound and the oven will automatically shut off.
6. Place the food in the center of the rack and close the door.
7. Turn the Time control knob to the right to the desired time. When the time has elapsed, the bell will sound and the oven will automatically shut off. Turn the Time control knob to “0” (off) if food is removed before the time has elapsed.
8. For cook times longer than 60 minutes, use the Constant “On” feature.

Broiling (and Top Browning) with the Countertop Oven

Only the top cooking elements will heat when this oven function is selected.

Recommended Rack Positions:

Use the upper slots along oven walls. Position the oven rack as shown in Position B (top slot, rack down) in the “Understanding Positions of the Oven Rack” section. Place the broil pan with grill (with food) on oven rack.

NOTE: Food to be broiled should be at least 1" (2.5 cm) from the cooking elements on the top of the oven. For delicate foods such as fish or chicken, or for less browning, place the rack in a lower position.

To Broil:

1. Place the food to be broiled on the grill with broil pan, and then close the oven door. The countertop oven does not have an open door broil feature. The door must be closed when broiling.
2. Set the Function control knob to BROIL.
3. Turn the Temperature control knob to the right to BROIL/450°.
4. Turn the Time control knob to the right to the desired time.
5. Monitor the broiling progress.
6. When broiling food on both sides, set the Time control knob for the time desired for one side. When the bell sounds, the oven will automatically shut off. Open the countertop oven door. Use a pot holder to pull the rack and pan about halfway out of the oven. Turn the food, slide the rack and pan back into the countertop oven, and close the door. Turn the Time control knob to a desired time for the other side.
7. When the time elapses, a bell will sound and the oven will automatically shut off.
8. If food is to be removed before the bell sounds, turn the Time control knob to “0” (off) to shut off the countertop oven. Then, remove the food.

Toasting with the Countertop Oven

Both the top and bottom cooking elements will heat when this function is selected.

Recommended Rack Positions:

Use the lower slots along oven walls. Position the oven rack as shown in Position E (bottom slot, rack up) in the “Understanding Positions of the Oven Rack” section.

To Toast:

1. For best results, place the bread to be toasted directly on the rack.
2. Toast up to six slices of bread. When toasting only one or two slices of bread, center the bread in the oven.
3. Close the countertop oven door.
4. Turn the Function control knob to the TOAST setting.
5. Turn the Temperature control knob to the right to the BROIL/450° setting.
6. Turn the Toast control knob to the right to the desired toast color; Dark, Medium or Light. Toast ready bell will not sound unless the control knob is turned past the first dot before turning the control to the LIGHT icon.

TIP: For more consistent results, preheat oven for 5 minutes prior to first batch of toast. First batch of toast is typically lighter than the selected setting on a cold oven. Preheating the countertop oven or adding more time to first batch yields more accurate toasting on first batch.

7. The bell will sound and the oven will automatically shut off when the countertop oven has finished toasting.
8. Turn the Toast time control knob to “0” (off) if toast is removed before the bell sounds.
9. Adjust Time control knob settings as needed to get desired results.

NOTE: It is normal for condensation to form on the door when toasting moist or fresh breads.

IMPORTANT: Countertop oven will operate only if the Toast function is selected and the Toast timer is used to select time. The Time control knob does not work with the Toast function.

Warming (Plus Keeping Warm and Heating) with the Countertop Oven

Only the lower cooking elements will heat when this function is selected.

Recommended Positions:

Select the rack-positioning slots, oven rack, and broil pan with grill positions to match the size of food being heated. When first using the oven, position the oven rack as shown in Position E (bottom slot, rack up) in the “Understanding Positions of the Oven Rack” section. Adjust as needed for your cooking situation.

To Warm:

1. Turn the Function control knob to the WARM setting.
2. Turn the Temperature control knob to a desired setting. Warm is the lowest temperature setting available.
3. Turn the Time control knob to a desired setting.

Countertop Oven Use Tips

Setting very short times

When setting timer for 5 minutes or less, turn the Time control knob beyond the 10-minute mark. Then, turn the knob back to the desired time.

Are guesstimates OK?

Experience will teach you how much time to use for toasting various kinds of bread. Frozen, dark or whole-grain breads require a longer time. Fresh, soft or white breads require a shorter time.

For foods that melt

When cooking small pieces of foods or foods that will melt, use the broil pan. This will keep food from falling onto the cooking elements.

To minimize cleanup

Spray the broil pan with nonstick cooking spray for easier cleanup when cooking wet or sticky foods. Wash pan thoroughly after each use to avoid buildup of cooking spray.

Size limits for food

For best results, food and/or oven-safe containers (see “Food Cooking Tips” section) must fit into the countertop oven without touching the cooking elements or inside walls of oven. The door must close completely.

When oven is off

Turn the Temperature control knob to WARM, or minimum setting, when countertop oven is not in use.

For extended use

When cooking for a long time at high temperatures, you may detect a slight odor from the oven insulation materials. This is normal.

Food Cooking Tips

- Check food cooking progress through the clear, tempered glass door window. Your countertop oven will be more energy efficient if you open the door less often.
- If top of food item browns too fast, lower the rack position or reduce oven temperature. If bottom of food item browns too fast, raise rack position or reduce oven temperature.
- Be sure all foods and/or containers fit in the countertop oven without touching cooking elements or keeping door from closing.
- Remove all plastic and/or paper wrappers from foods before cooking.
- Use only loosely covered oven-safe containers. Airtight containers may cause food to boil over or splatter.
- Follow package directions when preparing frozen or packaged foods. Preheating the oven is not necessary.
- Oven surfaces can become hot during cooking. Touch only the door handle and knobs during oven operation.
- Do not place items on top or near countertop oven while in use.
- Replace cardboard, glass or plastic lids with aluminum foil for use in the countertop oven.

Choosing Bakeware for Countertop Oven Use:

- The broil pan included with the oven is suitable for items such as cookies, rolls, biscuits, nachos and pork chops.
- A variety of standard baking dishes, such as a 9" (22.9 cm) round or square cake pan, a 6 cup (1.5 L) muffin pan, small baking sheets, and 1 and 2 qt (0.95 mL and 1.9 L) round, square and rectangular casserole dishes, may be used. The oven door must close completely.
- Choose bakeware made of metal, oven-safe glass, ceramic or silicone.
- Use lowest oven rack position when using deep, oven-safe glass or ceramic containers and allow at least 1" (2.5 cm) airspace between the top of the container and the upper cooking elements.
- Do not use glass lids. If a cover is desired, use a loosely fitted sheet of aluminum foil shiny side up or down.
- Many convenience foods are packaged in nonmetallic containers suitable for use in microwave ovens. Check package directions to determine whether the container is suitable for use in a regular oven.

KITCHENAID® COUNTERTOP OVEN CARE

Cleaning Your Countertop Oven

- Make sure the Time control knob is in the 0 (off) position. Then, unplug from the wall socket before cleaning.
- Allow oven and accessories to cool completely before cleaning.
- Do not use abrasive cleaners or metal scouring pads. They could scratch the surface.
- Wipe the outside of the oven with a clean, damp cloth and dry thoroughly. A nonabrasive liquid cleaner may be used for stubborn stains. Rinse and dry thoroughly.
- Hand washing is recommended for racks and pan. Remove all items from the countertop oven. Wash the rack, broil pan, and grill in hot, sudsy water. Rinse and dry thoroughly. To clean the crumb tray, slide it out of the oven and brush off crumbs. Wipe with a damp cloth and dry thoroughly.
- To remove baked-on stains, scrub with a paste made from baking soda and water. Rinse and dry thoroughly.
- The walls on the inside of the oven have a nonstick coating for easy cleaning. Remove heavy spatter after use with a nylon or polyester mesh pad, sponge or cloth dampened with warm water. Dry with a paper towel or soft, dry cloth.

IMPORTANT: Do not use cleaning agents, cleansers or metal scouring pads on the inner oven coating as they may reduce its effectiveness.

NOTE: The oven rack, broil pan and grill are dishwasher safe, but hand washing is recommended.

TROUBLESHOOTING

- If your countertop oven should fail to operate, check the following:

⚠ WARNING



Electrical Shock Hazard

Plug into a grounded 3 prong outlet.

Do not remove ground prong.

Do not use an adapter.

Do not use an extension cord.

Failure to follow these instructions can result in death, fire, or electrical shock.

- **Is the fuse in the circuit to the countertop oven in working order?**
If you have a circuit breaker box, make sure the circuit is closed. Try unplugging the countertop oven, then plug it back in.
- **Upper cooking elements visibly glow, but bottom cooking elements do not.**
The upper cooking elements use higher power for better browning performance. The lower cooking elements are on, but may not visibly glow like the upper cooking elements. This is normal and your countertop oven is working properly.
- **Power on light is flashing rapidly.**
The oven has a 4 hour auto shutoff feature. If the constant on feature is being used, the oven will automatically shut off after 4 hours and the power on indicator light will flash rapidly.
- **If the problem cannot be corrected:**
See the "KitchenAid Warranty and Service" sections. Do not return the countertop oven to the retailer – retailers do not provide service.

Is the countertop oven plugged into a grounded 3 prong outlet?

PROOF OF PURCHASE AND PRODUCT REGISTRATION

Always keep a copy of the sales receipt showing the date of purchase of your countertop oven. Proof of purchase will assure you of in-warranty service.

Before you use your countertop oven, please fill out and mail your product registration card packed with the unit. This card will enable us to contact you in the unlikely event of a product safety notification and assist us in complying with the provisions of the Consumer Product Safety Act. This card does not verify your warranty. Please complete the following for your personal records:

Model Number _____
Serial Number _____
Date Purchased _____
Store Name and Location _____

KITCHENAID® COUNTERTOP OVEN WARRANTY

Length of Warranty:	KitchenAid Will Pay For:	KitchenAid Will Not Pay For:
<p>50 United States, the District of Columbia, Canada, and Puerto Rico: One-year limited warranty from date of purchase.</p>	<p>50 United States, the District of Columbia and Canada: Hassle-free replacement of your countertop oven. See the following page for details on how to arrange for replacement.</p> <p>OR</p> <p>In Puerto Rico: The replacement parts and repair labor costs to correct defects in materials and workmanship. Service must be provided by an Authorized KitchenAid Service Center. To arrange for service, follow the instructions in the "How to Arrange for Warranty Service in Puerto Rico."</p>	<p>A. Repairs when countertop oven is used in other than normal single family home use.</p> <p>B. Damage resulting from accident, alteration, misuse or abuse or use with products not approved by KitchenAid.</p> <p>C. Replacement parts or repair labor costs for countertop oven when operated outside the country of purchase.</p>

DISCLAIMER OF IMPLIED WARRANTIES; LIMITATION OF REMEDIES IMPLIED WARRANTIES, INCLUDING TO THE EXTENT APPLICABLE WARRANTIES OF MERCHANTABILITY OR FITNESS FOR A PARTICULAR PURPOSE, ARE EXCLUDED TO THE EXTENT LEGALLY PERMISSIBLE. ANY IMPLIED WARRANTIES THAT MAY BE IMPOSED BY LAW ARE LIMITED TO ONE YEAR, OR THE SHORTEST PERIOD ALLOWED BY LAW. SOME STATES AND PROVINCES DO NOT ALLOW LIMITATIONS OR EXCLUSIONS ON HOW LONG AN IMPLIED WARRANTY OF MERCHANTABILITY OR FITNESS LASTS, SO THE ABOVE LIMITATIONS OR EXCLUSIONS MAY NOT APPLY TO YOU.

IF THIS PRODUCT FAILS TO WORK AS WARRANTED, CUSTOMER'S SOLE AND EXCLUSIVE REMEDY SHALL BE REPAIR OR REPLACEMENT ACCORDING TO THE TERMS OF THIS LIMITED WARRANTY. KITCHENAID AND KITCHENAID CANADA DO NOT ASSUME ANY RESPONSIBILITY FOR INCIDENTAL OR CONSEQUENTIAL DAMAGES. This warranty gives you specific legal rights and you may also have other rights which vary from state to state or province to province.

Hassle-Free Replacement Warranty – 50 United States and District of Columbia

We're so confident the quality of our products meets the exacting standards of KitchenAid that, if your countertop oven should fail within the first year of ownership, KitchenAid will arrange to deliver an identical or comparable replacement to your door free of charge and arrange to have your original toaster returned to us. Your replacement unit will also be covered by our one year limited warranty. Please follow these instructions to receive this quality service.

If your KitchenAid® countertop oven should fail within the first year of ownership, simply call our toll-free Customer Satisfaction Center at 1-800-541-6390 Monday through Friday, 8 a.m. to 8 p.m. (Eastern Time), or Saturday, 10 a.m. to 5 p.m. Give the consultant your complete shipping address. (No P.O. Box numbers, please.)

When you receive your replacement countertop oven, use the carton and packing materials to pack up your original countertop oven. In the carton, include your name and address on a sheet of paper along with a copy of the proof of purchase (register receipt, credit card slip, etc.).

Hassle-Free Replacement Warranty – Canada

We're so confident the quality of our products meets the exacting standards of the KitchenAid® brand that, if your countertop oven should fail within the first year of ownership, KitchenAid Canada will replace your countertop oven with an identical or comparable replacement. Your replacement unit will also be covered by our one year limited warranty. Please follow these instructions to receive this quality service.

If your KitchenAid® countertop oven should fail within the first year of ownership, take the countertop oven or ship collect to an Authorized KitchenAid Service Centre.

In the carton include your name and complete shipping address along with a copy of the proof of purchase (register receipt, credit card slip, etc.). Your replacement countertop oven will be returned prepaid and insured. If you are unable to obtain satisfactory service in this manner call our toll-free Customer eXperience Centre at 1-800-807-6777.

Or write to us at:

Customer eXperience Centre
KitchenAid Canada
200 - 6750 Century Ave.
Mississauga, ON L5N 0B7

How to Arrange for Warranty Service in Puerto Rico

Your KitchenAid® countertop oven is covered by a one-year limited warranty from the date of purchase. KitchenAid will pay for replacement parts and labor costs to correct defects in materials and workmanship. Service must be provided by an Authorized KitchenAid Service Center.

Take the countertop oven or ship prepaid and insured to an Authorized KitchenAid Service Center. Your repaired countertop oven will be returned prepaid and insured. If you are unable to obtain satisfactory service in this manner, call toll-free 1-800-541-6390 to learn the location of a Service Center near you.

How to Arrange for Service after the Warranty Expires – All Locations

Before calling for service, please review the "Troubleshooting" section.

For service information in the 50 United States, District of Columbia, and Puerto Rico,
call toll-free 1-800-541-6390.

Or write to:
Customer Satisfaction Center
KitchenAid Portable Appliances
P.O. Box 218, St. Joseph, MI 49085-0218

Or contact an Authorized Service Center near you.

For service information in Canada,
call toll-free 1-800-807-6777.

Or write to:
Customer eXperience Centre
KitchenAid Canada
200 - 6750 Century Ave.
Mississauga, ON L5N 0B7

How to Arrange for Service Outside These Locations

Consult your local KitchenAid dealer or the store where you purchased the countertop oven for information on how to obtain service.

For service information in Mexico,
call the KitchenAid® line 01-800-002-2767

How to Order Accessories and Replacement Parts

To order accessories or replacement parts for your countertop oven in the 50 United States, District of Columbia, and Puerto Rico,

call toll-free 1-800-541-6390 Monday through Friday, 8 a.m. to 8 p.m. (Eastern Time), or Saturday, 10 a.m. to 5 p.m.

Or write to:

Customer Satisfaction Center
KitchenAid Portable Appliances
P.O. Box 218
St. Joseph, MI 49085-0218

To order accessories or replacement parts for your countertop oven in Canada,

call toll-free 1-800-807-6777.

Or write to:

Customer eXperience Centre
KitchenAid Canada
200 - 6750 Century Ave.
Mississauga, ON L5N 0B7

To order accessories or replacement parts for your countertop oven in Mexico,

For service information in Mexico,
call the KitchenAid® line 01-800-002-2767

CONSIGNES DE SÉCURITÉ DU FOUR DE COMPTOIR

Votre sécurité et celle des autres est très importante.

Nous donnons de nombreux messages de sécurité importants dans ce manuel et sur votre appareil ménager. Assurez-vous de toujours lire tous les messages de sécurité et de vous y conformer.



Voici le symbole d'alerte de sécurité.

Ce symbole d'alerte de sécurité vous signale les dangers potentiels de décès et de blessures graves à vous et à d'autres.

Tous les messages de sécurité suivront le symbole d'alerte de sécurité et le mot "DANGER" ou "AVERTISSEMENT". Ces mots signifient :

! DANGER

Risque possible de décès ou de blessure grave si vous ne suivez pas immédiatement les instructions.

! AVERTISSEMENT

Risque possible de décès ou de blessure grave si vous ne suivez pas les instructions.

Tous les messages de sécurité vous diront quel est le danger potentiel et vous disent comment réduire le risque de blessure et ce qui peut se produire en cas de non-respect des instructions.

MESURES DE SÉCURITÉ IMPORTANTES

Lors de l'utilisation d'appareils électriques, il faut toujours observer certaines précautions élémentaires de sécurité, y compris les suivantes :

- Lire toutes les instructions.
- Ne pas toucher de surface chaude. Utiliser les poignées ou les boutons.
- Pour éviter toute décharge électrique, ne pas immerger le cordon, les prises ou la totalité du four dans l'eau ou dans tout autre liquide.
- Une surveillance attentive s'impose lorsqu'un appareil ménager est utilisé par ou à proximité d'enfants.
- Débrancher l'appareil lorsqu'il n'est pas utilisé, avant d'y ajouter des pièces ou d'en enlever et avant de le nettoyer. Attendre le refroidissement total avant d'installer ou de retirer des pièces.
- Ne pas faire fonctionner un appareil dont le cordon ou la prise est endommagé(e), lorsque l'appareil ne fonctionne pas correctement ou lorsqu'il a été endommagé d'une quelconque façon. Retourner l'appareil au centre de service agréé le plus proche pour examen, réparation ou réglage.
- L'utilisation d'accessoires de fixation non recommandés par le fabricant de l'appareil peut causer des blessures.
- Ne pas laisser le cordon pendre sur le côté d'une table ou d'un comptoir, ou toucher une surface chaude.

- Ne pas placer sur ou près d'un brûleur électrique ou à gaz chaud, ou dans un four chaud.
- La plus grande prudence s'impose lors du déplacement d'un appareil contenant de l'huile chaude ou tout autre liquide.
- La plus grande prudence s'impose lors du déplacement de la lèchefrite ou du déversement de la graisse chaude.
- On ne doit insérer ni aliments surdimensionnés, ni ustensiles en aluminium dans le four posable car ils peuvent présenter un risque d'incendie ou de décharge électrique.
- Lorsque le four posable est en cours de fonctionnement, un incendie peut se produire si le four posable est recouvert par un matériau inflammable ou en contact avec celui-ci, notamment des rideaux, draperies, parois et autres objets assimilés. Ne pas entreposer d'objet sur le dessus de l'appareil pendant son fonctionnement.
- Ne pas nettoyer avec des tampons à récurer métalliques. Des morceaux pourraient se détacher et toucher les pièces électriques, créant un risque de décharge électrique.
- La plus grande prudence s'impose lors de l'utilisation de récipients conçus à base de matériaux autres que le métal ou le verre.
- Ne pas entreposer dans ce four de matériel autre que les accessoires recommandés par le fabricant pendant son fonctionnement.
- Ne placer aucun des matériaux suivants dans le four : papier, carton, plastique ou tout matériau similaire.
- Ne pas couvrir le ramasse-miettes ou toute partie du four avec du papier aluminium. Ceci entraînera la surchauffe du four.
- Pour éteindre le four, tourner le bouton de commande de durée à la position 0 (arrêt), tourner la minuterie de grillage à la position Off (arrêt), et le témoin lumineux s'éteindra.
- Pour la déconnexion, mettre toutes les commandes en position "off" (arrêt), puis retirer la fiche de la prise murale.
- Ne pas utiliser à l'extérieur.
- Ne pas utiliser l'appareil pour un autre usage que celui pour lequel il est conçu.
- Ce produit est conçu uniquement pour un usage domestique.

CONSERVER CES INSTRUCTIONS

SPÉCIFICATIONS ÉLECTRIQUES

⚠ AVERTISSEMENT



Risque de choc électrique

Brancher sur une prise à 3 alvéoles reliée à la terre.

Ne pas enlever la broche de liaison à la terre.

Ne pas utiliser un adaptateur.

Ne pas utiliser un câble de rallonge.

Le non-respect de ces instructions peut causer un décès, un incendie ou un choc électrique.

Volts : 120 volts C.A. uniquement.

Hertz : 60 Hz

REMARQUE : Ce four de comptoir possède une prise de mise à la terre à 3 broches. Pour réduire le risque de choc électrique, cette fiche ne peut être insérée dans une prise que dans un seul sens. Si cette fiche ne convient pas à la prise, contacter un électricien qualifié. Ne pas modifier la prise de quelque manière que ce soit.

Ne pas utiliser de câble de rallonge. Si le cordon d'alimentation électrique est trop court, faire installer une prise près de l'appareil électroménager par un électricien ou un technicien de service qualifié.

On doit utiliser un cordon d'alimentation court (ou détachable) afin de réduire le risque qu'une personne s'emmêle dans un cordon d'alimentation qui serait plus long ou trébuche dessus.

Des cordons d'alimentation détachables ou de rallonge plus longs sont disponibles et peuvent être utilisés s'ils sont employés avec précaution.

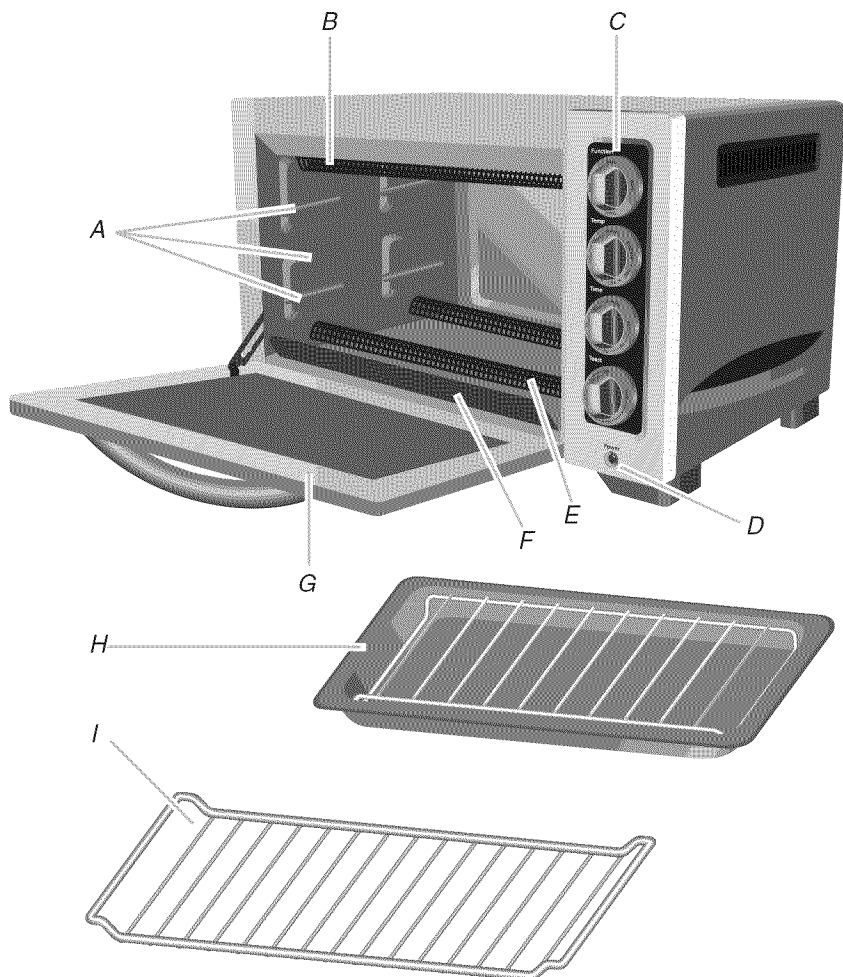
Si on utilise un cordon d'alimentation détachable ou de rallonge plus long :

- Les caractéristiques électriques indiquées de l'ensemble de cordon ou de rallonge doivent être au moins aussi élevées que les caractéristiques électriques de l'appareil.
- Le cordon doit être disposé de sorte qu'il ne pende pas par dessus le plan de travail ou la table de cuisine, où des enfants pourraient tirer dessus ou trébucher dessus involontairement.

Si l'appareil comporte une mise à la terre, la rallonge doit être un cordon de type mise à la terre à 3 conducteurs.

CARACTÉRISTIQUES DU FOUR DE COMPTOIR KITCHENAID®

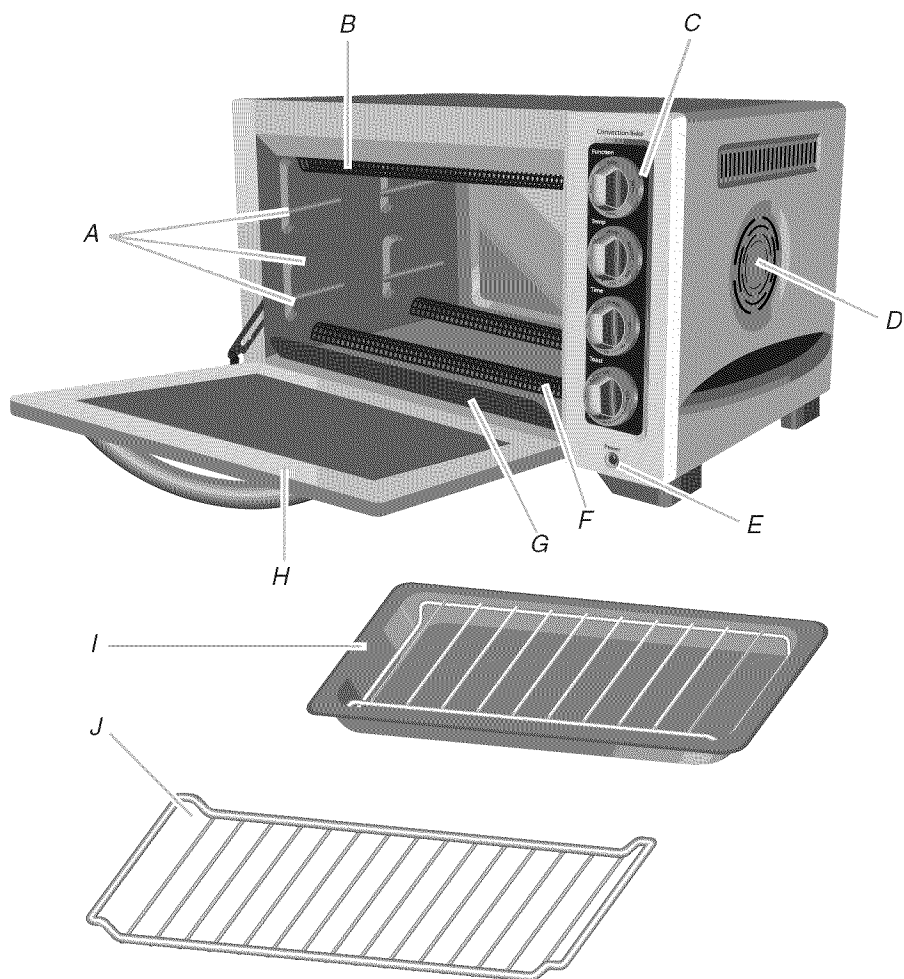
Caractéristiques du modèle KCO222 standard de 12" (30,2 cm)



- A. Encoches de positionnement de la grille
- B. Éléments de cuisson supérieurs
- C. Commandes du four de comptoir :
Fonction (fonction), Temp (temp.), Time
(durée) et Toast (grillage)
- D. Témoin lumineux d'alimentation

- E. Éléments de cuisson inférieurs
- F. Ramasse-miettes amovible
- G. Porte du four de comptoir
- H. Lèchefrite avec grille
- I. Grille de four de comptoir à
2 positions; vers le haut ou vers le
bas (2)

Caractéristiques du KCO223 avec cuisson par convection de 12" (30,2 cm)



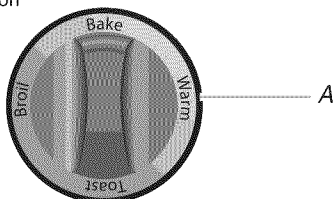
- A. Encoches de positionnement de la grille
- B. Éléments de cuisson supérieurs
- C. Commandes du four de comptoir :
Function (fonction), Temp (temp.), Time (durée) et Toast (grillage)
- D. Ventilateur de convection
- E. Témoin lumineux d'alimentation

- F. Éléments de cuisson inférieurs
- G. Ramasse-miettes amovible
- H. Porte du four de comptoir
- I. Lèchefrite avec grille
- J. Grille de four de comptoir à 2 positions; vers le haut ou vers le bas (2)

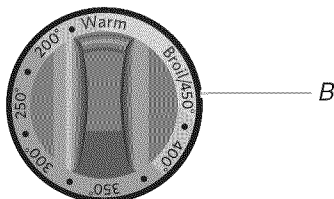
COMMANDES DU FOUR DE COMPTOIR KITCHENAID®

Ce manuel couvre différents modèles. L'apparence des articles illustrés ici peut ne pas correspondre à celle de votre modèle.

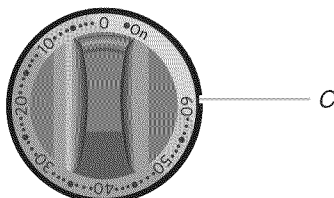
Function



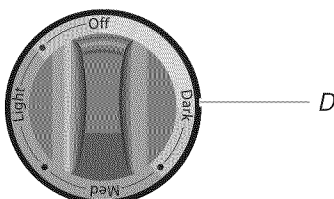
Temp



Time



Toast



Power



- A. Bouton de commande de fonction
- B. Bouton de commande de température
- C. Bouton de commande de durée
- D. Bouton de commande de grillage
- E. Témoin lumineux d'alimentation

Caractéristiques du four de comptoir

Ce manuel couvre différents modèles. L'apparence des articles illustrés ici peut ne pas correspondre à celle de votre modèle.

Éléments de cuisson

Quatre éléments de cuisson produisent jusqu'à 1440 watts pour la cuisson au four, la cuisson au gril, le grillage et le réchauffage pour une répartition uniforme de la chaleur.

Tableau de commande

Quatre gros boutons présentent des réglages polyvalents pour Fonction (fonction), Temperature (température), Time (durée) et Toast (grillage). Le témoin lumineux d'alimentation s'allume en bleu lorsque le four fonctionne.

Lèchefrite et grille de lèchefrite

Une lèchefrite facile à nettoyer peut être utilisée avec une grille de lèchefrite spéciale pour la cuisson au four, la cuisson au gril et le réchauffage. La lèchefrite et sa grille peuvent être placées directement sur la grille du four, à l'emplacement de cuisson souhaité.

Grilles de four de comptoir

Les grilles de capacité 6 tranches sont réversibles pour permettre des positions de cuisson idéales.

Cavité du four de comptoir

La cavité de 12" (30,2 cm) de profondeur, 0,6 pi cu (0,018 m. cu) comporte un revêtement anti-adhésif pour un nettoyage facile.

Commande de minuterie de grillage

Pour un grillage plus précis; foncé, modéré ou léger. La sonnerie de commande de minuterie retentit lorsque le grillage sélectionné est prêt.

Minuterie de cuisson

La four de comptoir comporte une minuterie de cuisson qui peut être utilisée pour un maximum de 60 minutes de cuisson continue.

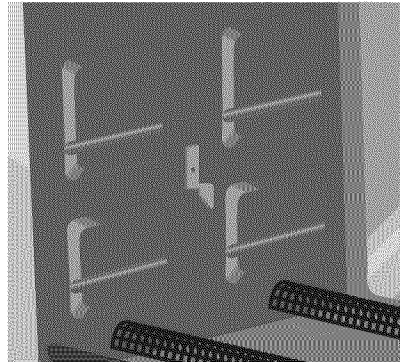
Caractéristique Constant "On" (fonctionnement continu)

La caractéristique de fonctionnement continu permet de prolonger la cuisson jusqu'à 4 heures. Tourner le bouton de commande Time (durée) vers la gauche pour activer la caractéristique de fonctionnement continu. La caractéristique de fonctionnement continu peut être utilisée avec les fonctions Bake (cuisson au four), Broil (cuisson au gril) ou Warm (tiède). Tourner le bouton de commande Time (durée) sur vers "0" pour désactiver la caractéristique de fonctionnement continu.

REMARQUE : Le four comporte une caractéristique d'arrêt automatique au bout de 4 heures. Si l'on utilise la caractéristique de fonctionnement continu, le four s'éteint automatiquement après 4 heures et le témoin lumineux d'alimentation clignote rapidement.

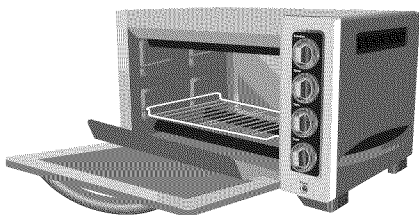
Encoches de positionnement de grille

Les encoches supérieures, inférieures et intermédiaires situées le long des côtés du four alliées à la grille de four réversible permettent de contenir les aliments sur un maximum de 6 positions de cuisson. L'encoche de position de grille intermédiaire contient une butée de grille.



Ramasse-miettes amovible

Le ramasse-miettes se trouve dans le four; on peut y accéder en ouvrant la porte du four pour le nettoyage. Un lavage manuel est recommandé.



Porte du four de comptoir

L'armature de porte durable en métal comporte une grosse poignée en acier inoxydable et un hublot transparent en verre trempé.

Caisse du four de comptoir

Le sommet et le tableau de commande stylisés en acier inoxydable sont assortis à la peinture des panneaux latéraux.

Caractéristique de cuisson au four par convection (modèle KCO223 uniquement)

La fonction de cuisson au four par convection automatique - sur les modèles KCO223 - ne fonctionne que si l'on sélectionne la fonction de cuisson au four. La fonction de cuisson au four par convection fait circuler l'air chaud de façon permanente pendant la cuisson. De l'air chauffé est produit; il fait circuler la chaleur à la température souhaitée à l'aide d'un ventilateur intégré. Pour de meilleurs résultats de cuisson, utiliser le plat de cuisson idéal pour une bonne circulation d'air.

PRÉPARATION DU FOUR DE COMPTOIR KITCHENAID® POUR UTILISATION

Avant la première utilisation :

1. Placer le four de comptoir sur une surface plate, sèche et de niveau tel un plan de travail ou une table.
2. S'assurer que les côtés, l'arrière et le sommet du four se trouvent à au moins 4" (10,16 cm) de n'importe quelle paroi, n'importe quel placard ou objet placé sur le comptoir ou la table.
3. Retirer tous les accessoires et les laver à l'eau chaude et savonneuse. Sécher soigneusement avant de les placer dans le four.
4. Retirer tous les matériaux d'emballage et toutes les étiquettes, le cas échéant.

REMARQUE : Lors de la première utilisation, il est possible que le four génère un peu de fumée. Ceci est normal.

Après chaque utilisation :

1. Retirer tous les articles qui ne seront pas nécessaires pour la prochaine cuisson.

⚠ AVERTISSEMENT



Risque de choc électrique

Brancher sur une prise à 3 alvéoles reliée à la terre.

Ne pas enlever la broche de liaison à la terre.

Ne pas utiliser un adaptateur.

Ne pas utiliser un câble de rallonge.

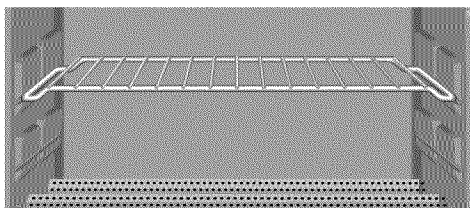
Le non-respect de ces instructions peut causer un décès, un incendie ou un choc électrique.

2. Brancher sur une prise de courant à 3 alvéoles, reliée à la terre. Le four de comptoir doit être le seul appareil à fonctionner sur le circuit.
3. Le four de comptoir peut désormais être utilisé.

UTILISATION DU FOUR DE COMPTOIR KITCHENAID®

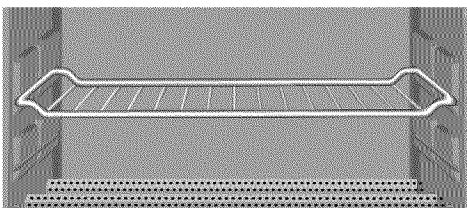
Clarification des positions de la grille du four de comptoir

Les aliments cuisent uniformément alors que de l'air chaud circule autour de la grille du four. Pour le grillage, on peut placer jusqu'à 6 tranches de pain directement sur la grille. Cette grille unique à 6 positions maintient aussi la lèchefrite avec sa grille, les plats de cuisson au four, les plats ou les articles standard de cuisson au four. Voici un guide qui vous permettra d'ajuster la grille de votre four de comptoir pour une performance de cuisson optimale.



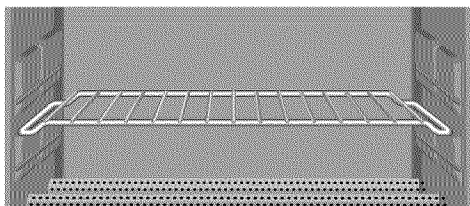
Position A

Utiliser les encoches supérieures situées le long des parois du four de comptoir. Insérer la grille du four de comptoir en la faisant glisser et en l'orientant vers le haut.



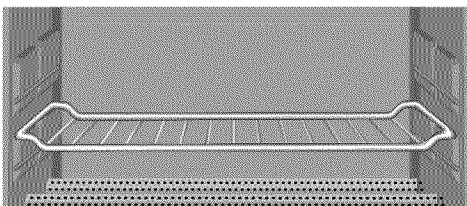
Position B

Utiliser les encoches supérieures situées le long des parois du four de comptoir. Insérer la grille du four de comptoir en la faisant glisser et en l'orientant vers le bas.



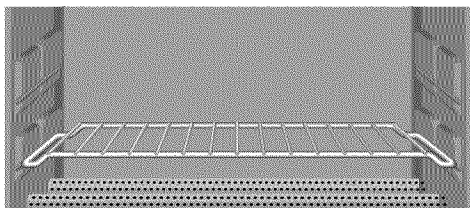
Position C

Utiliser les encoches intermédiaires situées le long des parois du four de comptoir. Insérer la grille du four de comptoir en la faisant glisser et en l'orientant vers le haut. L'encoche de position de grille intermédiaire contient une butée de grille.



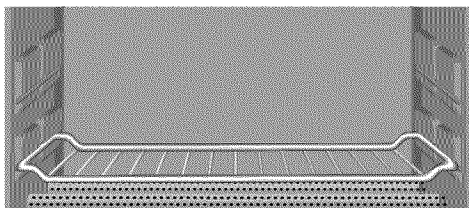
Position D

Utiliser les encoches intermédiaires situées le long des parois du four de comptoir. Insérer la grille du four de comptoir en la faisant glisser et en l'orientant vers le bas. L'encoche de position de grille intermédiaire contient une butée de grille.



Position E

Utiliser les encoches inférieures situées le long des parois du four de comptoir. Insérer la grille du four de comptoir en la faisant glisser et en l'orientant vers le haut.



Position F

Utiliser les encoches inférieures situées le long des parois du four de comptoir. Insérer la grille du four de comptoir en la faisant glisser et en l'orientant vers le bas.

Cuisson au four (et réchauffage) avec le four de comptoir

Les éléments de cuisson du sommet et du bas fonctionnent par intermittence lors de la cuisson au four pour maintenir la température de four souhaitée. Pour le modèle KCO223 avec cuisson au four par convection, le ventilateur de convection fonctionne uniquement lorsque la fonction de cuisson au four est sélectionnée pour faire circuler la chaleur à la température de four souhaitée. La fonction de cuisson au four par convection donne les résultats qu'un four conventionnel donne à la cuisson, mais dans un laps de temps généralement plus court. Pour de meilleurs résultats de cuisson, utiliser le plat de cuisson idéal pour une bonne circulation d'air. Les recettes varient et la durée de cuisson doit être surveillée pour obtenir les résultats attendus.

Positions de grille recommandées :

Lorsqu'on utilise le four pour la première fois, positionner la grille de four de comptoir en position C (encoche intermédiaire, grille vers le haut), tel qu'indiqué dans la section "Clarification des positions de la grille du four". Ajuster ensuite en fonction des besoins de cuisson. Ne pas oublier de laisser de l'espace pour que les aliments puissent augmenter de volume.

Cuisson au four :

1. Placer la grille en position basse pour que les aliments à cuire ou à faire chauffer se trouvent au centre du four.
2. Fermer la porte.
3. Tourner le bouton de commande de fonction à BAKE (cuisson au four).

4. Tourner le bouton de commande de température vers la droite à la température désirée. Entamer la cuisson au four en suivant les instructions de l'emballage ou de la recette (généralement 350°F – 425°F [177°C – 218°C]).
5. Préchauffer le four pendant 5 minutes pour la cuisson au four (et le réchauffage) en tournant le bouton de commande Time (durée) vers la droite, au-delà de la position de 10 minutes, puis le ramener au premier point (position de 5 minutes). Après 5 minutes, la sonnerie retentit et le four s'éteint automatiquement.
6. Placer les aliments au centre de la grille et fermer la porte.
7. Tourner le bouton de commande Time (durée) vers la droite à la température désirée. Une fois la durée écoulée, la sonnerie retentit et le four s'éteint automatiquement. Tourner le bouton de commande Time (durée) à "0" (arrêt) si les aliments sont retirés avant que la durée ne soit écoulée.
8. Pour des durées de cuisson de plus de 60 minutes, utiliser la fonction Constant "On" (fonctionnement constant).

Cuisson au gril (et gratinage) avec le four de comptoir

Seuls les éléments de cuisson supérieurs chauffent lorsque cette fonction du four est sélectionnée.

Positions de grille recommandées :

Utiliser les encoches supérieures situées le long des parois du four. Positionner la grille du four en position B (encoche supérieure, grille vers le bas), tel qu'indiqué dans la section "Clarification des positions de la grille du four". Placer la lèchefrite avec sa grille (et les aliments) sur la grille du four.

REMARQUE : Les aliments à faire cuire au gril doivent se trouver à au moins 1" (2,5 cm) des éléments de cuisson situés au sommet du four. Pour les aliments délicats tels que le poisson ou le poulet ou pour un brunissement moins prononcé, placer la grille à une position inférieure.

Cuisson au gril :

1. Placer les aliments à faire cuire au gril sur la grille de lèchefrite avec la lèchefrite puis fermer la porte du four. Le four de comptoir ne comporte pas de caractéristique de cuisson au gril avec porte ouverte. La porte doit être fermée lors de la cuisson au gril.
2. Placer le bouton de commande de fonction à BROIL (cuisson au gril).
3. Tourner le bouton de commande de température vers la droite au réglage BROIL/450° (cuisson au gril/450°).
4. Tourner le bouton de commande Time (durée) vers la droite à la température désirée.
5. Surveiller l'évolution de la cuisson au gril.
6. Lorsqu'on fait cuire au gril des aliments des deux côtés, régler le bouton de commande Time (durée) à la durée souhaitée pour un côté. Lorsque la sonnerie retentit, le four s'éteint automatiquement. Ouvrir la porte du four de comptoir. Utiliser une mitaine de four pour sortir la grille et le plat du four jusqu'à la moitié environ. Tourner les aliments, réinsérer la grille et le plat dans le four de comptoir en les faisant glisser puis fermer la porte. Tourner le bouton de commande Time (durée) à la durée souhaitée pour l'autre côté.
7. Une fois la durée écoulée, la sonnerie retentit et le four s'éteint automatiquement.
8. Si l'on doit retirer les aliments avant que la sonnerie ne retentisse, tourner le bouton de commande Time (durée) à "0" (arrêt) pour éteindre le four de comptoir. Retirer ensuite les aliments.

Grillage avec le four de comptoir

Les éléments de cuisson inférieurs et supérieurs chauffent lorsque cette fonction est sélectionnée.

Positions de grille recommandées :

Utiliser les encoches inférieures situées le long des parois du four. Positionner la grille du four en position E (encoche inférieure, grille vers le haut), tel qu'indiqué dans la section "Clarification des positions de la grille du four".

Grillage :

1. Pour de meilleurs résultats, placer le pain à faire griller directement sur la grille.
2. Vous pouvez faire griller jusqu'à six tranches de pain. Lorsque vous faites griller une ou deux tranches de pain, centrer le pain dans le four.
3. Fermer la porte du four de comptoir.
4. Tourner le bouton de commande de fonction au réglage TOAST (grillage).
5. Tourner le bouton de commande de température vers la droite au réglage BROIL/450° (cuisson au gril/450°).
6. Tourner le bouton de commande Toast (grillage) vers la droite sur le degré de brunissement souhaité; Dark (foncé), Medium (modéré) ou Light (léger). La sonnerie indiquant le moment où le toast est prêt ne retentit pas, sauf si l'on tourne le bouton de commande au-delà du premier point avant de tourner la commande sur l'icône de LIGHT (léger).

ASTUCE : Pour des résultats plus consistants, préchauffer le four pendant 5 minutes avant le premier lot de toasts. Le premier lot de toasts est généralement plus clair que le résultat proposé par le réglage sur un four froid. On obtiendra un degré de grillage plus précis pour le premier lot en préchauffant le four de comptoir ou en prolongeant la durée pour ce premier lot.

7. La sonnerie retentit et le four s'éteint automatiquement une fois le grillage terminé.
8. Tourner le bouton de commande Toast (grillage) à "0" (arrêt) si l'on retire le toast avant que la sonnerie ne retentisse.
9. Ajuster les réglages du bouton de commande Time (durée) tel que nécessaire pour obtenir les résultats souhaités.

REMARQUE : La formation de condensation sur la porte est un phénomène normal lors du grillage de pains humides ou frais.

IMPORTANT : Le four de comptoir ne fonctionne que lorsque la fonction Toast est sélectionnée et qu'on utilise la minuterie de grillage pour sélectionner la durée. Le bouton de commande de Time (durée) ne fonctionne pas avec la fonction Toast.

Réchauffage (plus maintien au chaud et chauffage) avec le four de comptoir

Seuls les éléments de cuisson inférieurs chauffent lorsque cette fonction est sélectionnée.

Positions recommandées :

Sélectionner les encoches de positionnement de grille, la grille du four et la lèchefrite avec les positions de la grille de lèchefrite qui correspondent à la taille des aliments à chauffer. Lorsqu'on utilise le four pour la première fois, positionner la grille de four en position E (encoche inférieure, grille vers le haut) tel qu'indiqué dans la section "Clarification des positions de la grille du four". Ajuster en fonction des besoins de cuisson.

Réchauffage :

1. Tourner le bouton de commande de fonction au réglage WARM (tiède).
2. Tourner le bouton de commande de température au réglage souhaité. Warm (tiède) est le réglage de température le plus faible.
3. Tourner le bouton de commande Time (durée) au réglage souhaité.

Conseils pour l'utilisation du four de comptoir

Régler des durées très courtes

Lorsque l'on règle la minuterie pour une durée inférieure ou égale à 5 minutes, tourner le bouton de commande Time (durée) au-delà du repère de 10 minutes. Tourner ensuite le bouton à la durée souhaitée.

Puis-je me contenter d'estimer les durées?

Avec l'expérience, vous connaîtrez la durée que vous devez régler pour faire griller différentes sortes de pain. Les pains surgelés, foncés ou entiers nécessitent plus de temps. Les pains frais, souples ou blancs nécessitent moins de temps.

Pour les aliments qui fondent

Pour la cuisson d'aliments en petits morceaux ou d'aliments qui fondent, utiliser la lèchefrite. Ceci empêchera les aliments de tomber sur les éléments de cuisson.

Pour minimiser le nettoyage

Vaporiser la lèchefrite avec un aérosol de cuisson anti-adhésif pour faciliter le nettoyage lors de la cuisson d'aliments humides ou collants. Laver soigneusement la poêle après chaque utilisation pour éviter une accumulation d'huile d'aérosol de cuisson.

Restrictions de taille des aliments

Pour de meilleurs résultats, les aliments et/ou les récipients pouvant aller au four (voir la section "Astuces de cuisson") doivent pouvoir être placés dans le four sans toucher les éléments de cuisson ou les parois internes du four. La porte doit être complètement fermée.

Lorsque le four est à l'arrêt

Tourner le bouton de commande Temperature (température) à WARM (tiède) ou au réglage minimum lorsque le four de comptoir n'est pas en marche.

Pour une utilisation prolongée

Lors d'une cuisson de longue durée à haute température, il est possible que les matériaux isolants du four dégagent une légère odeur. Ceci est normal.

Conseils de cuisson

- Surveiller l'évolution de la cuisson par le hublot transparent en verre trempé. Le four de comptoir sera plus éconergique si l'on ouvre la porte moins souvent.
- Si le sommet des aliments brunit trop rapidement, baisser la position de la grille ou réduire la température du four. Si le fond des aliments brunit trop rapidement, augmenter la position de la grille ou réduire la température du four.
- S'assurer que tous les aliments et/ou récipients peuvent être placés dans le four sans toucher les éléments de cuisson et sans empêcher la porte de se fermer.
- Retirer tout emballage plastique et/ou papier des aliments avant la cuisson.

- Utiliser uniquement des récipients pouvant aller au four et ne pas fermer leur couvercle. Des récipients hermétiques peuvent faire bouillir les aliments ou provoquer des éclaboussures.
- Suivre les instructions de l'emballage pour la préparation d'aliments surgelés ou emballés. Le préchauffage du four n'est pas nécessaire.
- Les surfaces du four peuvent devenir chaudes pendant la cuisson. Durant le fonctionnement du four, ne rien toucher d'autre que la poignée de porte ou les boutons.
- Ne pas placer d'articles sur le four de comptoir ou à proximité pendant son utilisation.
- Remplacer tout couvercle en carton, verre ou plastique destiné à être utilisé dans le four de comptoir par du papier aluminium.
- Beaucoup de plats cuisinés sont emballés dans les récipients non métalliques qui conviennent aux fours à micro-ondes. Vérifier sur les instructions de l'emballage que le récipient utilisé convient pour un four ordinaire.

ENTRETIEN DU FOUR DE COMPTOIR KITCHENAID®

Nettoyage du four de comptoir

- S'assurer que le bouton de commande Time (durée) est à la position O (arrêt). Débrancher ensuite de la prise murale avant le nettoyage.
 - Laisser le four et les accessoires refroidir complètement avant le nettoyage.
 - Ne pas utiliser un produit de nettoyage abrasif ou un tampon de laine d'acier. Ils pourraient endommager la surface.
 - Essuyer l'extérieur du four avec un linge propre et humide puis sécher soigneusement. On peut utiliser un nettoyant liquide non abrasif pour les taches tenaces. Rincer et sécher soigneusement.
 - Un lavage manuel est recommandé pour les grilles et le plat. Retirer tous les articles du four de comptoir. Laver la grille, la lèchefrite et sa grille dans de l'eau chaude et savonneuse. Rincer et sécher soigneusement. Pour nettoyer le ramasse-miettes, le faire glisser en dehors du four et essuyer les miettes. Essuyer avec un linge propre et sécher soigneusement.
- REMARQUE :** La grille de la lèchefrite, la lèchefrite et la grille sont lavables au lave-vaisselle mais un nettoyage manuel est recommandé.
- Pour éliminer les taches de nourriture ayant adhéré à la cuisson, frotter avec une pâte préparée à partir de bicarbonate de soude et d'eau. Rincer et sécher soigneusement.
 - Les parois internes du four possèdent un revêtement anti-adhésif pour un nettoyage facile. Retirer les traces de grosses éclaboussures avec un tampon ou une éponge à récurer en nylon ou en polyester ou encore un chiffon humidifié à l'eau tiède. Sécher avec un essuie-tout ou un chiffon doux et sec.
- IMPORTANT :** Ne pas utiliser d'agents nettoyants, de nettoyeurs ou de tampons à récurer en métal sur le revêtement intérieur du four car ils peuvent réduire son efficacité.

Choix des ustensiles de cuisson au four pour utilisation dans le four de comptoir :

- La lèchefrite fournie avec le four convient aux articles tels que les biscuits, roulés, nachos et steaks.
- On peut utiliser divers plats de cuisson, tels un moule à gâteau circulaire ou carré de 9" (22,9 cm), un moule à muffins de 6 tasses (1,5 L), de petites plaques à pâtisseries et des plats circulaires, carrés et rectangulaires pour mets en sauce de 1 et 2 pte (0,95 mL et 1,9 L). La porte du four doit être complètement fermée.
- Choisir des ustensiles de cuisson en métal, en verre convenant à la cuisson au four, en céramique ou en silicone.
- Utiliser la position de grille de four la plus basse lorsqu'on utilise des récipients profonds, en verre résistant aux micro-ondes ou en céramique et laisser un espace d'au moins 1" (2,5 cm) entre le sommet du récipient et les éléments de cuisson supérieurs.
- Ne pas utiliser de couvercles en verre. Si l'on souhaite utiliser un couvercle, utiliser une feuille d'aluminium qui ne soit pas complètement fermée sur le récipient, côté brillant vers le haut ou vers le bas.

DÉPANNAGE

- Si le four de comptoir ne fonctionne pas, vérifier ce qui suit :

! AVERTISSEMENT



Risque de choc électrique

Brancher sur une prise à 3 alvéoles reliée à la terre.

Ne pas enlever la broche de liaison à la terre.

Ne pas utiliser un adaptateur.

Ne pas utiliser un câble de rallonge.

Le non-respect de ces instructions peut causer un décès, un incendie ou un choc électrique.

Le cordon d'alimentation du four de comptoir est-il branché dans une prise à 3 alvéoles reliée à la terre?

- **Le fusible du circuit relié au four de comptoir fonctionne-t-il?**

Si l'on possède un disjoncteur, s'assurer que le circuit est fermé. Essayer de débrancher le four de comptoir puis de le rebrancher.

- **Les éléments de cuisson supérieurs sont nettement allumés, mais pas les éléments de cuisson inférieurs.**

Les éléments de cuisson supérieurs utilisent un niveau de puissance supérieur pour un meilleur brunissement. Les éléments de cuisson inférieurs sont activés mais ce ne sera peut-être pas aussi visible que pour les éléments de cuisson supérieurs. Ceci est normal; le four de comptoir fonctionne correctement.

- **Le témoin lumineux d'alimentation clignote rapidement.**

Le four comporte une caractéristique d'arrêt automatique au bout de 4 heures. Si l'on utilise la caractéristique de fonctionnement continu, le four s'éteint automatiquement après quatre heures et le témoin lumineux d'alimentation clignote rapidement.

Si l'on ne parvient pas à corriger le problème, voir les sections "Garantie et service KitchenAid". Ne pas renvoyer le four de comptoir au revendeur - les revendeurs n'offrent pas de service d'entretien ou de réparation.

PREUVE D'ACHAT ET ENREGISTREMENT DU PRODUIT

Veuillez conserver une copie du coupon de caisse indiquant la date d'achat de votre four de comptoir. La preuve d'achat vous assure du service d'après-vente sous garantie.

Avant d'utiliser votre four, veuillez remplir et poster la carte d'enregistrement du produit accompagnant l'appareil. Grâce à cette carte, nous pourrions vous appeler dans l'éventualité improbable d'un avis de sécurité et nous conformer plus facilement aux dispositions de la loi sur la sécurité des produits de consommation. Cette carte ne confirme pas votre garantie.

Veuillez remplir ce qui suit pour vos dossiers personnels :

Numéro de modèle _____

Numéro de série _____

Date d'achat _____

Nom du marchand et adresse _____

GARANTIE DU FOUR DE COMPTOIR KITCHENAID®

Durée de la garantie :	KitchenAid paiera pour :	KitchenAid ne paiera pas pour :
<p>50 États des États-Unis, district fédéral de Columbia, Canada et Porto Rico : Garantie limitée d'un an à compter de la date d'achat.</p>	<p>50 États des États-Unis, district fédéral de Columbia et Canada : Remplacement sans difficulté de votre four de comptoir. Voir la page suivante pour des détails sur la procédure à suivre pour un remplacement.</p> <p>OU</p> <p>À Porto Rico : Les frais de pièces de rechange et de main-d'œuvre pour corriger les vices de matériaux et de fabrication. Le service doit être fourni par un centre de réparation agréé KitchenAid. Pour les dispositions nécessaires à une intervention de dépannage, suivre les instructions de "Dispositions nécessaires pour un service sous garantie à Porto Rico".</p>	<p>A. Les réparations lorsque le four de comptoir est utilisé à des fins autres que l'usage domestique unifamilial normal.</p> <p>B. Dommages causés par : accident, altération, mésusage, usage abusif ou utilisation avec des produits non approuvés par KitchenAid.</p> <p>C. Les frais de pièces de rechange ou de main-d'œuvre pour le four de comptoir lorsqu'on fait fonctionner celui-ci en dehors du pays dans lequel il a été acheté.</p>

CLAUSE D'EXONÉRATION DE RESPONSABILITÉ AU TITRE DES GARANTIES IMPLICITES; LIMITATION DES RECOURS. LES GARANTIES IMPLICITES, Y COMPRIS LES GARANTIES PROLONGÉES APPLICABLES DE QUALITÉ MARCHANDE OU D'APTITUDE À UN USAGE PARTICULIER, SONT EXCLUES DE LA PRÉSENTE GARANTIE, ET CE DANS LES LIMITES AUTORISÉES PAR LA LOI. TOUTE GARANTIE IMPLICITE POUVANT ÊTRE IMPOSÉE PAR LA LOI EST LIMITÉE À UN AN, OU À LA PLUS COURTE PÉRIODE AUTORISÉE PAR LA LOI. CERTAINES JURIDICTIONS NE PERMETTENT PAS LA LIMITATION DE LA DURÉE DE VALIDITÉ DES GARANTIES IMPLICITES DE QUALITÉ MARCHANDE OU D'APTITUDE À UN USAGE PARTICULIER; PAR CONSÉQUENT LES LIMITATIONS OU EXCLUSIONS STIPULÉES DANS LES PRÉSENTES PEUVENT NE PAS VOUS ÊTRE APPLICABLES.

SI CE PRODUIT NE FONCTIONNE PAS TEL QUE GARANTI, LE SEUL ET UNIQUE RECOURS DU CLIENT CONSISTE À EN OBTENIR LA RÉPARATION OU LE REMPLACEMENT CONFORMÉMENT AUX TERMES DE LA PRÉSENTE GARANTIE LIMITÉE. KITCHENAID ET KITCHENAID CANADA DÉCLINENT TOUTE RESPONSABILITÉ AU TITRE DES DOMMAGES FORTUITS OU INDIRECTS. Cette garantie vous confère des droits juridiques spécifiques et vous pouvez également jouir d'autres droits qui peuvent varier d'un État à l'autre ou d'une province à l'autre.

Garantie de remplacement sans difficulté - pour les 50 États des États-Unis et le district fédéral de Columbia

Nous sommes tellement certains que la qualité de nos produits satisfait aux normes exigeantes de KitchenAid que si le four cesse de fonctionner au cours de la première année, KitchenAid livrera gratuitement à votre porte un appareil de remplacement identique ou comparable et prendra les dispositions nécessaires pour que le four d'origine nous soit retourné. L'appareil de remplacement sera également couvert par notre garantie limitée d'un an. Veuillez suivre ces instructions pour bénéficier de ce service de qualité.

Si votre four KitchenAid® cesse de fonctionner durant la première année suivant son acquisition, il vous suffit d'appeler le Centre de satisfaction clientèle au 1-800-541-6390 du lundi au vendredi, de 8 h 00 à 18 h 00 (heure de l'Est), ou le samedi, de 10 h 00 à 17 h 00. Fournissez votre adresse d'expédition complète au consultant. (Pas de boîte postale)

À réception du four de rechange, utiliser le carton et les matériaux d'emballage pour emballer le four d'origine. Veuillez indiquer vos nom et adresse sur une feuille de papier et insérez-la dans le carton avec une copie de votre preuve d'achat (reçu de caisse, facture de règlement par de carte de crédit etc.).

Garantie de remplacement sans difficulté - Canada

Nous sommes tellement certains que la qualité de nos produits satisfait aux normes exigeantes de la marque KitchenAid® que si le four cesse de fonctionner au cours de la première année suivant son acquisition, KitchenAid Canada remplacera le four par un appareil de remplacement identique ou comparable. L'appareil de remplacement sera également couvert par notre garantie limitée d'un an. Veuillez suivre ces instructions pour bénéficier de ce service de qualité.

Si votre four KitchenAid® cesse de fonctionner durant la première année suivant son acquisition, apporter ou réexpédier le four port dû vers un Centre de réparation KitchenAid agréé. Veuillez indiquer vos nom et adresse d'expédition complets dans le carton et joignez une copie de votre preuve d'achat (reçu de caisse, facture de règlement par de carte de crédit etc.). Votre four de rechange sera retourné port payé et assuré. Si le service que vous obtenez de cette manière n'est pas satisfaisant, appelez notre centre clientèle sans frais au 1-800-807-6777.

Ou écrivez-nous à :

Centre clientèle
KitchenAid Canada
200 - 6750 Century Ave.
Mississauga, ON L5N 0B7

Dispositions nécessaires pour un service sous garantie à Porto Rico

Votre four KitchenAid® est couvert par une garantie limitée d'un an à compter de la date d'achat. KitchenAid paiera pour les pièces de rechange et les frais de main-d'œuvre pour corriger les vices de matériaux et de fabrication. Le service doit être fourni par un centre de réparation agréé KitchenAid.

Apporter le four ou l'expédier port payé et assuré à un centre de réparation KitchenAid agréé. Votre four réparé sera retourné port payé et assuré. Si le service que vous obtenez de cette manière n'est pas satisfaisant, composez le 1-800-541-6390 pour connaître l'adresse d'un Centre de réparation proche de votre domicile.

Dispositions nécessaires pour une intervention de dépannage après expiration de la garantie - Tous les pays

Avant de demander une intervention de dépannage par téléphone, veuillez consulter la section "Dépannage".

Pour des informations concernant toute intervention de dépannage dans les 50 États des États-Unis, le district fédéral de Columbia et Porto Rico,

composer le numéro sans frais
1-800-541-6390.

Ou écrire à l'adresse suivante :
Centre de satisfaction clientèle
Appareils portatifs KitchenAid
P.O. Box 218, St. Joseph, MI 49085-0218

Ou contacter un centre de réparation agréé proche de votre domicile.

Pour des informations concernant toute intervention de dépannage au Canada,
composer le numéro sans frais
1-800-807-6777.

Ou écrire à l'adresse suivante :
Centre pour l'eXpérience de la clientèle
KitchenAid Canada
200 - 6750 Century Ave.
Mississauga, ON L5N 0B7

Dispositions nécessaires pour un service en dehors de ces pays

Consulter le revendeur KitchenAid local ou le détaillant auprès duquel le four a été acheté pour obtenir la marche à suivre en cas d'intervention de dépannage nécessaire.

Pour des informations concernant toute intervention de dépannage au Mexique,
composer le numéro de KitchenAid®
01-800-002-27-67

Commander des accessoires et des pièces de rechange

Pour commander des accessoires ou des pièces de rechange pour le four dans les 50 États des États-Unis, le district fédéral de Columbia et Porto Rico,

composer le numéro sans frais
1-800-541-6390 du lundi au vendredi, de
8 h 00 à 20 h 00 (heure de l'Est), ou le
samedi de 10 h 00 à 17 h 00.

Ou écrire à l'adresse suivante :
Customer Satisfaction Center
KitchenAid Portable Appliances
P.O. Box 218
St. Joseph, MI 49085-0218

Pour commander des accessoires ou des pièces de rechange pour le four au Canada,

composer le numéro sans frais
1-800-807-6777.

Ou écrire à l'adresse suivante :
Centre pour l'eXpérience de la clientèle
KitchenAid Canada
200 - 6750 Century Ave.
Mississauga, ON L5N 0B7

Pour commander des accessoires ou des pièces de rechange pour le four au Mexique et pour les renseignements concernant le service au Mexique,
composer le numéro de KitchenAid®
01-800-002-27-67

HORNO PARA MOSTRADOR KITCHENAID®

Su seguridad y la seguridad de los demás es muy importante.

Hemos incluido muchos mensajes importantes de seguridad en este manual y en su electrodoméstico. Lea y obedezca siempre todos los mensajes de seguridad.



Este es el símbolo de advertencia de seguridad.

Este símbolo le llama la atención sobre peligros potenciales que pueden ocasionar la muerte o una lesión a usted y a los demás.

Todos los mensajes de seguridad irán a continuación del símbolo de advertencia de seguridad y de la palabra "PELIGRO" o "ADVERTENCIA". Estas palabras significan:

! PELIGRO

Si no sigue las instrucciones de inmediato, usted puede morir o sufrir una lesión grave.

! ADVERTENCIA

Si no sigue las instrucciones, usted puede morir o sufrir una lesión grave.

Todos los mensajes de seguridad le dirán el peligro potencial, le dirán cómo reducir las posibilidades de sufrir una lesión y lo que puede suceder si no se siguen las instrucciones.

SALVAGUARDIAS IMPORTANTES

Al utilizar aparatos eléctricos, debe seguir las precauciones básicas de seguridad, entre las que se incluyen las siguientes:

- Lea todas las instrucciones.
- No toque las superficies calientes. Use asas o perillas.
- Para protegerse contra choque eléctrico, no sumerja el cable, los enchufes ni ninguna pieza del horno para mostrador en agua ni en ningún otro líquido.
- Es necesario una supervisión cuidadosa de los niños cuando usen cualquier aparato o cuando éste se use cerca de ellos.
- Desenchufe del contacto cuando no se esté en uso, antes de colocar o quitar partes y antes de la limpieza. Deje que se enfríe antes de colocar o quitar piezas.
- No opere ningún aparato con un cable o enchufe dañado o después de que el aparato funcione mal o se haya dañado de alguna manera. Devuelva el aparato a un lugar de servicio autorizado para su examen, reparación o ajuste.
- El uso de accesorios de acoplamiento no recomendados por parte del fabricante del aparato puede ocasionar heridas.
- No deje que el cable cuelgue del borde de una mesa o mostrador ni que toque superficies calientes.
- No lo coloque cerca de un quemador a gas o eléctrico caliente ni sobre el mismo, ni tampoco en un horno caliente.
- Deberá tenerse extremo cuidado cuando se mueva un aparato que contenga aceite caliente u otro líquido caliente.

- Tenga extremo cuidado al sacar la bandeja para asar o al desechar grasa caliente.
- No deben insertarse en un horno para mostrador alimentos demasiado grandes ni utensilios de metal, ya que pueden constituir un riesgo de incendio o de choque eléctrico.
- Puede ocurrir un incendio si se cubre el horno para mostrador con un material inflamable o si éste lo toca, incluyendo cortinas, pañería, paredes y objetos similares, cuando esté funcionando. No guarde ningún artículo sobre el aparato cuando esté en funcionamiento.
- No lo limpie con estropajos de metal. Pueden desprenderse partes del estropajo y tocar piezas eléctricas, ocasionando un riesgo de choque eléctrico.
- Deberá tenerse extremo cuidado cuando use recipientes fabricados con materiales que no sean de metal o de vidrio.
- No guarde ningún material diferente de los accesorios recomendados por el fabricante en este horno cuando no esté en uso.
- No coloque ninguno de los siguientes materiales en el horno: papel, cartón, plástico ni ningún material similar.
- No cubra la bandeja para migas ni ninguna otra parte del horno con papel de aluminio. Esto hará que se recaliente el horno.
- Para apagar el horno, gire la perilla de control de Time (Tiempo) hacia la posición de 0 (apagado), gire el temporizador de Toast (Tostar) hacia la posición de Off (Apagado) y la luz indicadora de encendido se apagará.
- Para desconectar, gire cualquier control hacia "Off" (Apagado) y retire el enchufe del contacto de pared.
- No lo use al aire libre.
- No use este aparato para un uso diferente del que fue diseñado.
- Este producto ha sido diseñado únicamente para uso doméstico.

GUARDE ESTAS INSTRUCCIONES

REQUISITOS ELÉCTRICOS

⚠ ADVERTENCIA



Peligro de Choque Eléctrico

Conecte a un contacto de pared de conexión a tierra de 3 terminales.

No quite la terminal de conexión a tierra.

No use un adaptador.

No use un cable eléctrico de extensión.

No seguir estas instrucciones puede ocasionar la muerte, incendio o choque eléctrico.

Voltios: 120 Voltios, CA solamente.

Hertzios: 60 Hz

NOTA: Este horno para mostrador tiene un enchufe de conexión a tierra de 3 terminales. Para reducir el riesgo de choque eléctrico, este enchufe encajará en un contacto solamente de una manera. Si el enchufe no encaja en el contacto, póngase en contacto con un electricista competente. No modifique el enchufe de ninguna manera.

No use un cable eléctrico de extensión. Si el cable de suministro eléctrico es demasiado corto, haga que un electricista o técnico de servicio competente instale un contacto cerca del electrodoméstico.

Deberá usarse un cable corto de suministro eléctrico (o un cable desmontable de suministro eléctrico) para reducir el riesgo de enredarse o tropezarse con un cable más largo.

Hay disponibles cables de suministro eléctrico desmontables más largos o cables de extensión, y pueden usarse siempre y cuando se usen con cuidado.

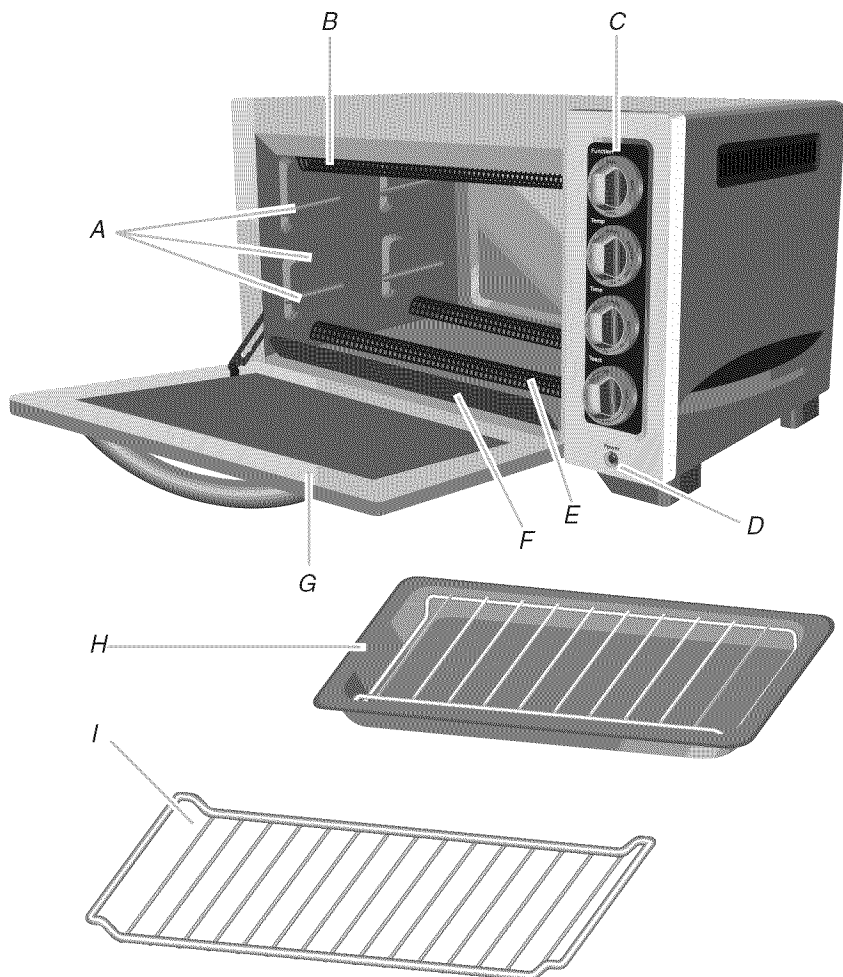
Si se usa un cable de suministro eléctrico desmontable más largo o un cable de extensión:

- La clasificación eléctrica indicada en el juego de cables o cable de extensión deberá ser por lo menos la misma que la clasificación eléctrica del aparato.
- Deberá arreglarse el cable de manera que no cuelgue sobre el mostrador o la parte superior de la mesa, en donde los niños puedan jalarlo o tropezarse con él accidentalmente.

Si el aparato es del tipo de conexión a tierra, el cable eléctrico de extensión deberá ser un cable de conexión a tierra de 3 terminales.

CARACTERÍSTICAS DEL HORNO PARA MOSTRADOR KITCHENAID®

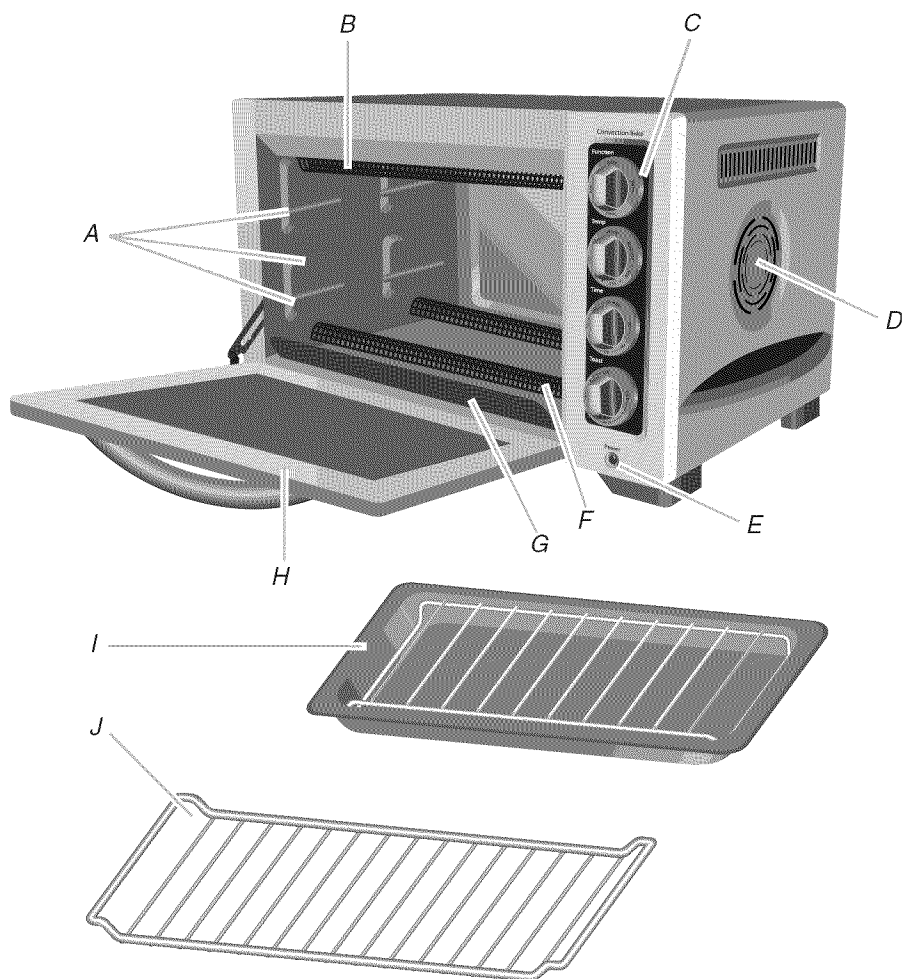
Características del modelo estándar KCO222 de 12" (30,2 cm)



- A. Ranuras de posición de la rejilla
- B. Elementos de cocción superiores
- C. Controles del horno para mostrador: Función (Función), Temp (Temperatura), Time (Tiempo) y Toast (Tostar)
- D. Luz indicadora de encendido

- E. Elementos de cocción inferiores
- F. Bandeja para migajas removible
- G. Puerta del horno para mostrador
- H. Bandeja para asar con parrilla
- I. Rejilla del horno para mostrador de 2 posiciones: hacia arriba o hacia abajo (2)

Características del modelo KCO223 con horneado por convección de 12" (30,2 cm)



A. Ranuras de posición de la rejilla

B. Elementos de cocción superiores

C. Controles del horno para mostrador:
Function (Función), Temp (Temperatura),
Time (Tiempo) y Toast (Tostar)

D. Ventilador para el horneado por convección

E. Luz indicadora de encendido

F. Elementos de cocción inferiores

G. Bandeja para migajas removible

H. Puerta del horno para mostrador

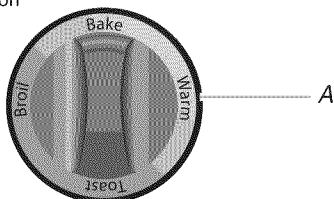
I. Bandeja para asar con parrilla

J. Rejilla del horno para mostrador
de 2 posiciones: hacia arriba o
hacia abajo (2)

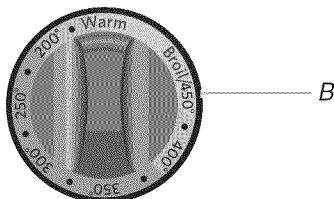
CONTROLES DEL HORNO PARA MOSTRADOR KITCHENAID®

Este manual cubre modelos diferentes. Es posible que la apariencia de los artículos que se muestran aquí no coincida con la de su modelo.

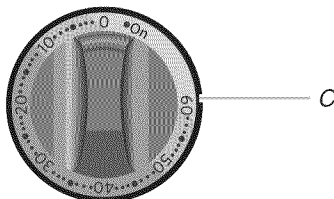
Function



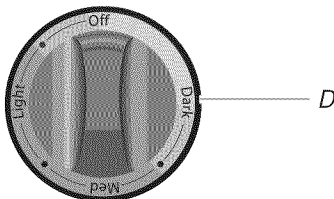
Temp



Time



Toast



Power



- A. Perilla de control de Function (Función)
- B. Perilla de control de Temperature (Temperatura)
- C. Perilla de control de Time (Tiempo)
- D. Perilla de control de Toast (Tostar)
- E. Luz indicadora de encendido

Características del horno para mostrador

Este manual cubre modelos diferentes. Es posible que la apariencia de los artículos que se muestran aquí no coincida con la de su modelo.

Elementos de cocción

Hay cuatro elementos de cocción que producen hasta 1440 vatios para un calentamiento uniforme al hornear, asar a la parrilla, tostar y calentar.

Panel de control

Cuatro perillas grandes tienen ajustes versátiles para Function (Función), Temperature (Temperatura), Time (Tiempo) y Toast (Tostar). La luz indicadora de Power (Encendido) se ilumina de azul cuando el horno está funcionando.

Bandeja para asar con parrilla

Una bandeja para asar a la parrilla se usa con una parrilla especial para hornear, asar a la parrilla y calentar. La bandeja para asar con parrilla puede colocarse directamente sobre la rejilla del horno, en el lugar deseado para la cocción.

Rejillas del horno para mostrador

Las rejillas con capacidad para 6 rebanadas son reversibles para obtener posiciones óptimas de cocción.

Cavidad del horno para mostrador

La cavidad del horno de 12" (30,2 cm) de profundidad y 0,6 pies³ (0,018 m³) tiene un recubrimiento antiadherente para facilitar la limpieza.

Control de tostado con temporizador

Para obtener un tostado más acertado; oscuro, medio o claro. El timbre del control del temporizador sonará cuando esté lista la selección de tostado deseada.

Temporizador de cocina

El horno para mostrador tiene un temporizador de cocina que puede usarse para hasta 60 minutos de cocción continua.

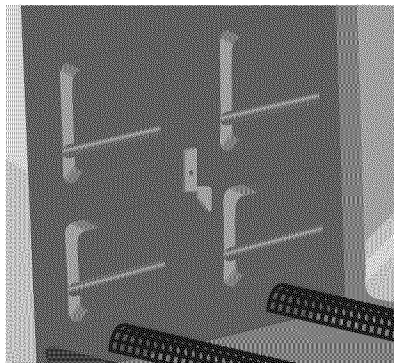
Característica de "On" (Encendido) constante

La característica de "on" (encendido) constante permite extender un tiempo de cocción por hasta 4 horas. Gire la perilla de control de Time (Tiempo) hacia la izquierda para habilitar la característica de "encendido" constante. La característica de "encendido" constante puede ser usada en combinación con las funciones de Bake (Hornear), Broil (Asar a la parrilla) o Warm (Calentar). Gire la perilla de control de Time (Tiempo) hacia "0" para "apagar" la característica de "on" (encendido) constante.

NOTA: El horno tiene una característica de apagado automático a las 4 horas. Si se está usando la característica de "on" (Encendido) constante, el horno se apagará automáticamente después de 4 horas y la luz indicadora de encendido destellará rápidamente.

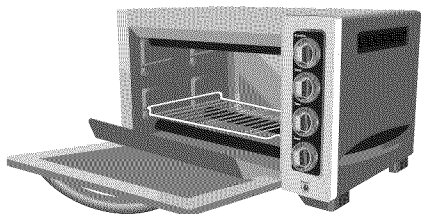
Ranuras de posición de la rejilla

Las ranuras superiores, centrales e inferiores a lo largo de los lados del horno, junto con la rejilla reversible del horno, tienen capacidad para alojar los alimentos hasta en 6 posiciones de cocción. La ranura de posición central de la rejilla tiene un tope.



Bandeja para migajas removible

La bandeja para migajas está ubicada dentro del horno y se puede tener acceso a la misma abriendo la puerta del horno para la limpieza. Se recomienda lavarla a mano.



Puerta del horno para mostrador

La puerta durable con marco de metal tiene una manija grande de acero inoxidable y una ventana de vidrio templado transparente.

Carcasa del horno para mostrador

El elegante estilo de acero inoxidable de la parte superior y el panel de control han sido combinados con los paneles laterales pintados.

Característica de horneado por convección (modelo KCO223 solamente)

Una característica automática de horneado por convección en el modelo KCO223 funcionará solamente cuando se seleccione la función de Bake (Hornear). La función de Convection Bake (Horneado por convección) hará circular continuamente el calor mientras hornea. Se genera aire caliente, el cual circula a la temperatura deseada por el ventilador incorporado. Para obtener mejores resultados de cocción, use el recipiente de cocción adecuado para permitir una circulación adecuada de aire.

PREPARACIÓN DEL HORNO PARA MOSTRADOR KITCHENAID® PARA EL USO

Antes de usarse por primera vez:

1. Coloque el horno para mostrador sobre una superficie nivelada seca y plana, como sería un mostrador o una mesa.
2. Asegúrese que los lados, la parte posterior y superior del horno estén alejadas al menos 4" (10,16 cm) de cualquier pared, armario u objeto en el mostrador o mesa.
3. Quite todos los accesorios y lávelos en agua caliente y jabonosa. Séquelos meticulosamente antes de colocarlos dentro del horno.
4. Quite todos los materiales de empaque y las etiquetas, si los hay.

NOTA: Al usar el horno por primera vez, el mismo podrá producir humo ligero. Esto es normal.

Antes de cada uso:

1. Quite todos los artículos que no sean necesarios para el siguiente procedimiento de cocción.

⚠ ADVERTENCIA



Peligro de Choque Eléctrico

Conecte a un contacto de pared de conexión a tierra de 3 terminales.

No quite la terminal de conexión a tierra.

No use un adaptador.

No use un cable eléctrico de extensión.

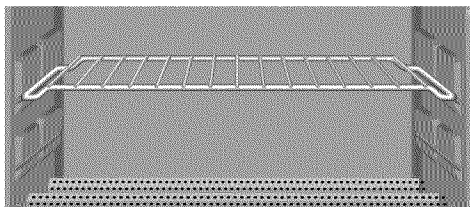
No seguir estas instrucciones puede ocasionar la muerte, incendio o choque eléctrico.

2. Conecte a un contacto de pared de conexión a tierra de 3 terminales. El horno para mostrador deberá ser el único electrodoméstico funcionando en el circuito.
3. El horno para mostrador ya está listo para el uso.

USO DEL HORNO PARA MOSTRADOR KITCHENAID®

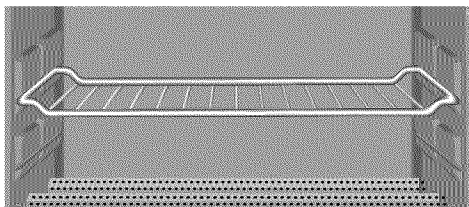
Explicación de las posiciones de la rejilla del horno

El alimento se cuece de manera uniforme al moverse el aire caliente alrededor de la rejilla del horno. Pueden colocarse hasta 6 rebanadas de pan directamente sobre la rejilla para ser tostadas. Esta rejilla única de 6 posiciones también tiene capacidad para la bandeja para asar con la parrilla, bandejas o platos para hornear y utensilios de horno comunes. A continuación se muestra una guía para regular la rejilla del horno para un desempeño óptimo de cocción.



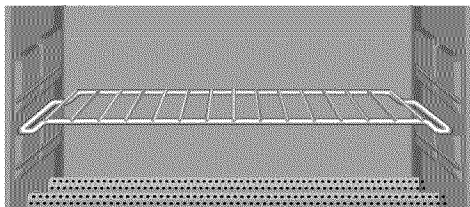
Posición A

Use las ranuras superiores que están a lo largo de las paredes del horno para mostrador. Deslice hacia dentro la rejilla del horno para mostrador orientando la rejilla hacia arriba.



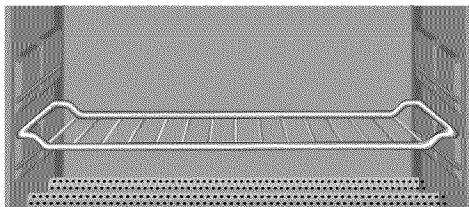
Posición B

Use las ranuras superiores que están a lo largo de las paredes del horno para mostrador. Deslice hacia dentro la rejilla del horno para mostrador orientando la rejilla hacia abajo.



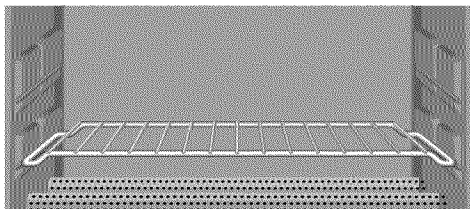
Posición C

Use las ranuras centrales que están a lo largo de las paredes del horno para mostrador. Deslice hacia dentro la rejilla del horno para mostrador orientando la rejilla hacia arriba. Hay un tope en la posición central de la rejilla.



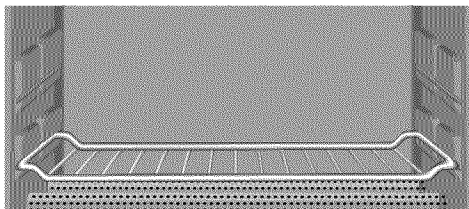
Posición D

Use las ranuras centrales que están a lo largo de las paredes del horno para mostrador. Deslice hacia dentro la rejilla del horno para mostrador orientando la rejilla hacia abajo. Hay un tope en la posición central de la rejilla.



Posición E

Use las ranuras inferiores que están a lo largo de las paredes del horno para mostrador. Deslice hacia dentro la rejilla del horno para mostrador orientando la rejilla hacia arriba.



Posición F

Use las ranuras inferiores que están a lo largo de las paredes del horno para mostrador. Deslice hacia dentro la rejilla del horno para mostrador orientando la rejilla hacia abajo.

Cómo hornear (y recalentar) con el horno para mostrador

Tanto el elemento de cocción superior como el inferior se encenderán y se apagarán durante el horneado, para mantener la temperatura deseada del horno. Para el modelo KCO223 de horneado por convección, el ventilador de convección funcionará solamente cuando se haya seleccionado la función de Bake (Hornear) para circular calor a la temperatura deseada del horno. La función de Convection Bake (Horneado por convección) hace lo mismo que hace un horno convencional al hornear y al asar, pero lo hace generalmente en menos tiempo. Para obtener mejores resultados de cocción, use el recipiente de cocción adecuado para permitir una circulación adecuada de aire. Las recetas variarán y deberá controlarse el tiempo de cocción para obtener los resultados deseados.

Posiciones recomendadas de la rejilla:

Cuando usted use el horno por primera vez, coloque la rejilla del mismo como se muestra en la Posición C (ranura central con la rejilla hacia arriba) en la sección "Explicación de las posiciones de la rejilla del horno". Después regúlela según sea necesario, de acuerdo a lo que vaya a cocinar. Recuerde dejar espacio para cuando el alimento se esponje.

Para hornear:

1. Coloque la rejilla en una posición inferior, de manera que el alimento a ser horneado o calentado esté en el centro del horno.
2. Cierre la puerta.

3. Gire la perilla de control de Function (Función) hacia BAKE (Hornear).
4. Gire la perilla de control de Temperature (Temperatura) hacia la derecha hasta la temperatura deseada. Hornee según las instrucciones del paquete o la receta (por lo general de 350°F a 425°F [177°C a 218°C]).
5. Precaliente el horno durante 5 minutos para el horneado (y recalentamiento) girando la perilla de control de Time (Tiempo) hacia la derecha hasta pasar la posición de 10 minutos, luego moviéndola hacia atrás hasta el primer punto (posición de 5 minutos). Después de 5 minutos, sonará el timbre y el horno se apagará automáticamente.
6. Coloque el alimento en el centro de la rejilla y cierre la puerta.
7. Gire la perilla de control de Time (Tiempo) hacia la derecha hasta la duración deseada. Cuando haya pasado el tiempo, sonará el timbre y el horno se apagará automáticamente. Gire la perilla de control de Time (Tiempo) hacia "0" (apagado) si se saca el alimento antes de transcurrido el tiempo.
8. Para tiempos de cocción mayores de 60 minutos, use la característica de "On" (Encendido) constante.

Cómo asar (y dorar) con el horno para mostrador

Cuando se seleccione esta función del horno, solamente se calentarán los elementos de cocción superiores.

Posiciones recomendadas de la rejilla:

Use las ranuras superiores que están a lo largo de las paredes del horno. Coloque la rejilla del horno como se muestra en la Posición B (ranura superior, rejilla hacia abajo) de la sección “Explicación de las posiciones de la rejilla del horno”. Coloque la bandeja para asar con la parrilla (y el alimento) sobre la rejilla del horno.

NOTA: El alimento a asar deberá estar por lo menos a 1" (2,5 cm) de los elementos de cocción que están en la parte superior del horno. Para alimentos delicados, tales como pescaco o pollo, o para obtener menos dorado, coloque la rejilla en una posición más baja.

Cómo asar:

1. Coloque el alimento para asar sobre la parrilla con la bandeja para asar, y cierre la puerta del horno. El horno para mostrador no tiene una característica para asar con la puerta abierta. La puerta debe estar cerrada cuando esté asando a la parrilla.
2. Coloque la perilla de control de Function (Función) hacia BROIL (Asar a la parrilla).
3. Gire la perilla de control de Temperature (Temperatura) hacia la derecha hasta BROIL/450° (Asar a la parrilla/450°).
4. Gire la perilla de control de Time (Tiempo) hacia la derecha hasta la duración deseada.
5. Siga de cerca el progreso del asado.
6. Cuando ase alimentos en ambos lados, fije la perilla de control de Time (Tiempo) para el tiempo deseado para un lado. Cuando suene el timbre, el horno se apagará automáticamente. Abra la puerta del horno para mostrador. Use una agarradera para olla para jalar la rejilla y la bandeja fuera del horno a mitad de camino. Dé vuelta el alimento, deslice la rejilla y la bandeja nuevamente dentro del horno para mostrador y cierre la puerta. Gire la perilla de control de Time (Tiempo) hacia un tiempo deseado para el otro lado.
7. Cuando haya pasado el tiempo, sonará el timbre y el horno se apagará automáticamente.
8. Si se saca el alimento antes de que suene el timbre, gire la perilla de control de Time (Tiempo) hacia “0” (apagado) para apagar el horno para mostrador. Después saque el alimento.

Cómo tostar con el horno para mostrador

Cuando se seleccione esta función, se calentarán los elementos de cocción superiores e inferiores.

Posiciones recomendadas de la rejilla:

Use las ranuras inferiores que están a lo largo de las paredes del horno. Coloque la rejilla del horno como se muestra en la Posición E (ranura inferior, rejilla hacia arriba) de la sección “Explicación de las posiciones de la rejilla del horno”.

Cómo tostar:

1. Para obtener los mejores resultados, coloque el pan a ser tostado directamente sobre la rejilla.
 2. Tueste hasta seis rebanadas de pan. Cuando tueste sólo una o dos rebanadas de pan, colóquelas en el centro del horno.
 3. Cierre la puerta del horno para mostrador.
 4. Gire la perilla de control de Function (Función) hacia el ajuste de TOAST (Tostar).
 5. Gire la perilla de control de Temperature (Temperatura) hacia la derecha hasta el ajuste de BROIL/450° (Asar a la parrilla/450°).
 6. Gire la perilla de control de Toast (Tostar) hacia la derecha, hacia el nivel de tostado deseado: Dark (Oscuro) Medium (Medio) o Light (Claro). El timbre de tostado listo no sonará a menos que la perilla de control haya sido girada hasta pasar el primer punto antes de girar el control hacia el icono de LIGHT (Ligero).
- SUGERENCIA:** Para obtener resultados más uniformes, precaliente el horno durante 5 minutos antes de tostar la primera tanda de pan. La primera tanda de pan tostado tiene por lo general un tostado más ligero que el ajuste seleccionado en un horno frío. El precalentar el horno para mostrador o el agregar más tiempo a la primera tanda producirá un tostado más preciso en la primera tanda.
7. El timbre sonará y el horno se apagará automáticamente cuando el horno para mostrador haya terminado de tostar.

- Gire la perilla de control de tiempo de Toast (Tostado) hacia "0" (apagado) si se saca el pan tostado antes de que suene el timbre.
- Regule los ajustes de la perilla de control de Time (Tiempo) según sea necesario para obtener los resultados deseados.

NOTA: Es normal que se forme condensación en la puerta cuando tueste panes húmedos o frescos.

IMPORTANTE: El horno para mostrador funcionará solamente si se selecciona la función de Toast (Tostar) y se usa el temporizador de Toast (Tostar) para seleccionar el tiempo. La perilla de control de tiempo no funciona con la función de Toast (Tostar).

Cómo calentar (y mantener caliente) con el horno para mostrador

Cuando se seleccione esta función, solamente se calentarán los elementos de cocción inferiores.

Posiciones recomendadas:

Seleccione las ranuras de colocación de la rejilla, la rejilla del horno y la bandeja para asar con parrilla con las posiciones para asar que coincidan con el tamaño del alimento que se va a calentar. Cuando usted use el horno por primera vez, coloque la rejilla del mismo como se muestra en la Posición E (ranura inferior con la rejilla hacia arriba) en la sección "Explicación de las posiciones de la rejilla del horno". Regúlela según sea necesario para lo que vaya a cocinar.

Para calentar:

- Gire la perilla de control de Function (Función) hacia el ajuste de WARM (Calentar).
- Gire la perilla de control de Temperature (Temperatura) hacia un ajuste deseado. El ajuste más bajo de temperatura disponible es Warm (Tibio).
- Gire la perilla de control de Time (Tiempo) hacia un ajuste deseado.

Consejos para el uso del horno para mostrador

Cómo fijar tiempos muy cortos

Cuando fije el temporizador en 5 minutos o menos, gire la perilla de control de Time (Tiempo) más allá de la marca de 10 minutos. Luego, gire la perilla hacia atrás, al tiempo deseado.

¿Son correctos los cálculos aproximados?

Con la experiencia usted aprenderá cuánto tiempo es necesario para tostar distintos tipos de pan. Los panes congelados, el pan negro o integral requieren de un tiempo más largo. Los panes frescos, blandos o blancos requieren un tiempo más corto.

Para los alimentos que se derriten

Cuando cocine pedazos pequeños de alimentos o alimentos que se derriten, use la bandeja para asar a la parrilla. Esto evitará que los alimentos se caigan encima de los elementos de cocción.

Para minimizar la limpieza

Rocíe la bandeja para asar con un rociador de cocina antiadherente, para una limpieza más fácil cuando cocine alimentos húmedos o pegajosos. Lave la bandeja a fondo después de cada uso para evitar la acumulación del rociador de cocina.

Límites de tamaño de los alimentos

Para obtener los mejores resultados, los alimentos y/o los recipientes seguros para hornear (vea la sección "Consejos para la cocción de alimentos") deben caber en el horno para mostrador sin tocar los elementos de cocción ni las paredes interiores del horno. La puerta debe cerrarse por completo.

Cuando el horno está apagado

Gire la perilla de control de Temperature (Temperatura) a WARM (Calentar) o al ajuste mínimo, cuando el horno para mostrador no esté en uso.

Para el uso prolongado

Cuando vaya a cocinar por un largo tiempo a temperaturas altas, podrá notar un olor leve de los materiales aislantes del horno. Esto es normal.

Consejos para la cocción de alimentos

- Revise el avance de la cocción de los alimentos a través de la ventana transparente de vidrio templado del horno. Su horno para mostrador ahorrará más energía si usted no abre la puerta con frecuencia.
- Si la parte de arriba del alimento se dora demasiado rápido, coloque la rejilla en una posición más baja o reduzca la temperatura del horno. Si la parte de abajo del alimento se dora demasiado rápido, coloque la rejilla en una posición más alta o reduzca la temperatura del horno.
- Asegúrese de que todos los alimentos y/o recipientes quepan en el horno para mostrador sin tocar los elementos de cocción ni bloquear la puerta.
- Quite todos los envoltorios de plástico y/o papel de los alimentos antes de la cocción.
- Use solamente recipientes aptos para el horno con una cubierta floja. Los recipientes herméticos podrían provocar derrames por hervor o salpicaduras.
- Siga las instrucciones del paquete cuando prepare alimentos congelados o empaquetados. No es necesario precalentar el horno.
- Las superficies del horno se pueden calentar durante la cocción. Sólo toque la manija de la puerta y las perillas durante el funcionamiento del horno.
- No coloque artículos sobre o cerca del horno para mostrador mientras el mismo esté funcionando.
- Reemplace las tapas de cartón, vidrio o plástico con papel de aluminio para el uso en el horno para mostrador.
- Se puede utilizar una variedad de fuentes para hornear, como una bandeja para pastel redonda o cuadrada de 9" (22,9 cm), una bandeja para bollos de 6 tazas (1,5 L), bandejas pequeñas para galletas y fuentes para guisos circulares, cuadradas y rectangulares de 1 y 2 cuartos de galón (0,95 l y 1,9 L). La puerta del horno debe cerrarse por completo.
- Use utensilios para horno hechos de metal, vidrio seguro para hornear, cerámica o silicón.
- Use la posición de rejilla más baja cuando use recipientes profundos de vidrio seguro para hornear o cerámica, deje un espacio libre de al menos 1" (2,5 cm) entre la parte superior del recipiente y los elementos de cocción superiores.
- No use tapas de vidrio. Si desea usar una tapa, use una hoja de papel de aluminio con el lado brillante hacia arriba o hacia abajo, que encaje floja.
- Muchos alimentos precocinados son empaquetados en recipientes no metálicos adecuados para los hornos de microondas. Lea las instrucciones del paquete para determinar si el recipiente es adecuado para un horno común.

CUIDADO DEL HORNO PARA MOSTRADOR KITCHENAID®

Limpieza del horno para mostrador

- Cerciórese de que la perilla de control de Time (Tiempo) del horno esté en la posición de 0 (apagado). Luego desconéctelo del contacto de pared antes de limpiar.
- Espere a que el horno y los accesorios se enfrien por completo antes de la limpieza.
- No use limpiadores abrasivos ni estropajos de metal. Éstos podrían rayar la superficie.
- Limpie el exterior del horno con un paño limpio y húmedo y séquelo meticulosamente. Puede usar un limpiador no abrasivo líquido para las manchas rebeldes. Enjuáguelo y séquelo bien.

Selección de utensilios para hornear para usarse con el horno de mostrador:

- La bandeja para asar a la parrilla incluida con el horno es adecuada para alimentos tales como galletas, panecillos, bisquets, nachos y chuletas de cerdo.

- Se recomienda lavar a mano las rejillas y la bandeja. Saque todos los artículos que están dentro del horno para mostrador. Lave la rejilla, la bandeja para asar a la parrilla y la parrilla en agua caliente jabonosa. Enjuáguelas y séquelas bien. Para limpiar la bandeja para migajas, deslícela hacia fuera del horno y quite las migajas con un cepillo. Limpíela con un paño húmedo y séquela meticulosamente.
- NOTA:** La rejilla, la bandeja para asar y la parrilla del horno se pueden lavar en la lavavajillas, pero se recomienda que se laven a mano.
- Para quitar las manchas adheridas por el horneado, talle con una pasta hecha de bicarbonato de sodio y agua. Enjuague y seque bien.
- Las paredes en el interior del horno tienen un recubrimiento antiadherente para una limpieza fácil. Limpie las salpicaduras intensas después del uso con un estropajo de malla de nylon o de poliéster, una esponja o un paño humedecido con agua tibia. Séquelo con una toalla de papel o un paño suave y seco.

IMPORTANTE: No use agentes de limpieza, productos de limpieza o esponjas de fibra metálica en el recubrimiento del interior del horno, ya que pueden reducir su eficacia.

SOLUCIÓN DE PROBLEMAS

- Si el horno para mostrador no funciona, verifique lo siguiente:

⚠ ADVERTENCIA



Peligro de Choque Eléctrico

Conecte a un contacto de pared de conexión a tierra de 3 terminales.

No quite la terminal de conexión a tierra.

No use un adaptador.

No use un cable eléctrico de extensión.

No seguir estas instrucciones puede ocasionar la muerte, incendio o choque eléctrico.

- **¿Está funcionando el fusible en el circuito que va al horno para mostrador?**
Si tiene una caja de cortacircuitos, cerciórese que sea un circuito cerrado. Intente desenchufar el horno para mostrador y vuelva a enchufarlo.
- **Los elementos de cocción superiores están al rojo vivo, pero no sucede eso con los elementos de cocción inferiores.**
Los elementos de cocción superiores tienen mayor potencia para un mejor dorado. Los elementos de cocción inferiores están encendidos pero tal vez no estén al rojo vivo como los elementos de cocción superiores. Esto es normal y su horno para mostrador está funcionando adecuadamente.
- **La luz de Power on (Encendido) está destellando rápidamente.**
El horno tiene una característica de apagado automático a las 4 horas. Si se está usando la característica de encendido constante, el horno se apagará automáticamente después de 4 horas y la luz indicadora de encendido destellará rápidamente.

¿Está el horno para mostrador enchufado en un contacto de 3 terminales con conexión a tierra?

Si no puede corregirse el problema, vea las secciones de "Garantía y servicio de KitchenAid". No devuelva el horno para mostrador a la tienda; los minoristas no proveen servicio técnico.

COMPROBANTE DE COMPRA Y REGISTRO DEL PRODUCTO

Siempre conserve una copia del recibo de venta que especifique la fecha de compra de su horno para mostrador. El comprobante de compra le asegurará el servicio técnico bajo garantía.

Antes de utilizar el horno para mostrador, complete y envíe por correo su tarjeta de registro del producto que viene junto con la unidad. Esta tarjeta nos permitirá contactarnos con usted en el improbable caso de una notificación de algún problema de seguridad con el producto y nos ayudará a cumplir con las cláusulas de la Consumer Product Safety Act (Ley sobre la seguridad de los productos para el consumidor). Esta tarjeta no asegura su garantía.

Complete lo siguiente para su registro personal:

Número del modelo _____

Número de serie _____

Fecha de compra _____

Nombre de la tienda y dirección _____

GARANTÍA DEL HORNO PARA MOSTRADOR KITCHENAID®

Duración de la garantía:	KitchenAid pagará por:	KitchenAid no pagará por:
<p>En los 50 estados de Estados Unidos, el Distrito de Columbia, Canadá y Puerto Rico: Un año de garantía limitada a partir de la fecha de compra.</p>	<p>En los 50 estados de Estados Unidos, el Distrito de Columbia y Canadá: Reemplazo sin dificultades de su horno para mostrador. Vea la página siguiente para obtener detalles acerca de cómo obtener el reemplazo.</p> <p>O BIEN</p> <p>En Puerto Rico: Los costos de las piezas de repuesto y del trabajo de reparación para corregir los defectos en los materiales y la mano de obra. El servicio deberá ser provisto por un centro de servicio autorizado por KitchenAid. Para obtener servicio técnico, siga las instrucciones en la sección "Cómo obtener servicio bajo la garantía en Puerto Rico".</p>	<p>A. Reparaciones cuando su horno para mostrador ha sido empleado para fines ajenos al uso doméstico normal de una familia.</p> <p>B. Daños causados por accidente, alteración, uso indebido o abuso, o el usarlo con productos no aprobados por KitchenAid.</p> <p>C. Costos de las piezas de repuesto o de trabajo de reparación para el horno para mostrador cuando se ponga a funcionar fuera del país en donde fue comprado.</p>

DESCARGO DE RESPONSABILIDAD DE GARANTÍAS IMPLÍCITAS; LA LIMITACIÓN DE RECURSOS Y LAS GARANTÍAS IMPLÍCITAS, INCLUYENDO EN LA MEDIDA QUE CORRESPONDA LAS GARANTÍAS DE COMERCIABILIDAD O DE CAPACIDAD PARA UN PROPÓSITO PARTICULAR, SON EXCLUIDAS EN LA MEDIDA EN QUE SEA LEGALMENTE PERMISIBLE. TODA GARANTÍA QUE SEA IMPUESTA POR LEY SERÁ LIMITADA A UN AÑO O AL PERÍODO MÁS CORTO PERMITIDO POR LEY. ALGUNOS ESTADOS Y PROVINCIAS NO PERMITEN LAS LIMITACIONES O EXCLUSIONES ACERCA DE CUÁNTO DEBE DURAR UNA GARANTÍA IMPLÍCITA DE COMERCIABILIDAD O CAPACIDAD, DE MODO QUE LAS LIMITACIONES O EXCLUSIONES ARRIBA MENCIONADAS PUEDEN NO APLICARSE EN SU CASO.

SI ESTE PRODUCTO NO FUNCIONA COMO LO INDICA LA GARANTÍA, EL ÚNICO Y EXCLUSIVO RECURSO DEL CLIENTE SERÁ EL DE REPARARLO O REEMPLAZARLO SEGÚN LOS TÉRMINOS DE ESTA GARANTÍA LIMITADA. KITCHENAID Y KITCHENAID CANADA NO SE RESPONSABILIZARÁN POR DAÑOS INCIDENTALES O CONSECUENTES. Esta garantía le otorga derechos legales específicos, y es posible que usted tenga también otros derechos, los cuales varían de un estado a otro o de una provincia a otra.

Garantía de reemplazo sin dificultades – en los 50 estados de Estados Unidos y el Distrito de Columbia

Confiamos tanto en que la calidad de nuestros productos cumple con las exigentes normas de KitchenAid que, si el horno para mostrador presentara alguna falla durante el primer año de compra, KitchenAid hará arreglos para entregar un reemplazo idéntico o comparable a su domicilio sin cargo y arreglará la devolución de su horno para mostrador original a nosotros.

La unidad de reemplazo estará también cubierta por nuestra garantía limitada de un año. Favor de seguir estas instrucciones para recibir este servicio de calidad.

Si su horno para mostrador KitchenAid® presentara alguna falla durante el primer año de compra, sencillamente llame gratuitamente a nuestro Centro para la satisfacción del cliente al 1-800-541-6390, de lunes a viernes de 8 AM a 8 PM (hora del Este), o los sábados de 10 AM a 5 PM. Proporcione al asesor su dirección de envío completa. (No números de apartados postales, por favor.)

Cuando usted reciba el horno para mostrador de reemplazo, use el cartón y los materiales de empaque para empacar el horno para mostrador original. En la caja, incluya su nombre y domicilio en un papel junto con la copia del comprobante de compra (recibo de la caja registradora, recibo de pago de la tarjeta de crédito, etc.).

Garantía de reemplazo sin dificultades - en Canadá

Confiamos tanto en que la calidad de nuestros productos cumple con las exigentes normas de KitchenAid® que, si el horno para mostrador presentara alguna falla durante el primer año de compra, KitchenAid Canada reemplazará su horno para mostrador con uno idéntico o un reemplazo comparable. La unidad de reemplazo estará también cubierta por nuestra garantía limitada de un año. Favor de seguir estas instrucciones para recibir este servicio de calidad.

Si su horno para mostrador KitchenAid® presentara alguna falla durante el primer año de compra, llévelo o envíelo a cobro revertido a un Centro de servicio autorizado por KitchenAid.

En la caja, incluya su nombre y domicilio de envío completo en un papel junto con la copia del comprobante de compra (recibo de la caja registradora, recibo de pago de la tarjeta de crédito, etc.). Su horno para mostrador de reemplazo será devuelto con porte prepago y asegurado. Si no puede obtener un servicio satisfactorio de esta manera, llame a nuestro número gratuito del Centro para la eXperiencia del cliente al 1-800-807-6777.

O bien escribanos a:

Customer eXperience Centre
KitchenAid Canada
200 - 6750 Century Ave.
Mississauga, ON L5N 0B7

Cómo obtener servicio bajo la garantía en Puerto Rico

Su horno para mostrador KitchenAid® está cubierto bajo una garantía limitada de un año a partir de la fecha de compra. KitchenAid pagará por las piezas de repuesto y costos de mano de obra para corregir los defectos en los materiales y la mano de obra. El servicio deberá ser provisto por un centro de servicio autorizado por KitchenAid.

Lleve el horno para mostrador o envíelo con porte prepagado y asegurado a un Centro de servicio autorizado por KitchenAid. Su horno para mostrador reparado será devuelto con porte prepagado y asegurado. Si no puede obtener un servicio satisfactorio de esta manera, llame sin costo al 1-800-541-6390 para averiguar la ubicación de un Centro de servicio cerca de usted.

Cómo obtener servicio después de que expire la garantía - En todas las ubicaciones

Antes de solicitar servicio técnico, por favor consulte la sección "Solución de problemas".

Para obtener información acerca del servicio en los 50 estados de Estados Unidos, el Distrito de Columbia y Puerto Rico,

llame sin costo al 1-800-541-6390.

O bien escriba a:

Customer Satisfaction Center
KitchenAid Portable Appliances
P.O. Box 218, St. Joseph, MI 49085-0218

O contacte a un Centro de servicio autorizado cerca de usted.

Para obtener información acerca del servicio en Canadá,
llame sin costo al 1-800-807-6777.

O bien escriba a:

Customer eXperience Centre
KitchenAid Canada
200 - 6750 Century Ave.
Mississauga, ON L5N 0B7

Cómo obtener servicio en otros lugares

Consulte a su distribuidor local de KitchenAid o a la tienda donde compró el horno para mostrador para obtener información sobre el servicio técnico.

Para obtener información acerca del servicio en México,

llame sin costo a KitchenAid® al 01-800-002-2767

Cómo pedir accesorios y piezas de repuesto

Para pedir accesorios o piezas de repuesto para su horno para mostrador en los 50 estados de Estados Unidos, el Distrito de Columbia y Puerto Rico,

llame sin costo al 1-800-541-6390, de lunes a viernes de 8 AM a 8 PM (hora del Este), o los sábados de 10 AM a 5 PM.

O bien escriba a:

Customer Satisfaction Center
KitchenAid Portable Appliances
P.O. Box 218
St. Joseph, MI 49085-0218

Para pedir accesorios o piezas de repuesto para su horno para mostrador en Canadá,

llame sin costo al 1-800-807-6777.

O bien escriba a:

Customer eXperience Centre
KitchenAid Canada
200 - 6750 Century Ave.
Mississauga, ON L5N 0B7

Para pedir accesorios o piezas de repuesto para su horno para mostrador en México,

llame sin costo a KitchenAid® al 01-800-002-2767

©Registered trademark/Marque déposée/Marca registrada KitchenAid, U.S.A.

™ Trademark/Marque de commerce/Marca de comercio KitchenAid, U.S.A.,

The shape of the mixer is a registered trademark of KitchenAid, U.S.A./La forme du batteur sur socle est une marque de commerce déposée/La forma de la batidora con base es una marca registrada de KitchenAid, U.S.A.

KitchenAid Canada licensee in Canada/Emploi licencié par KitchenAid Canada au Canada./

Usada en Canadá bajo licencia de KitchenAid Canada

©2010. All rights reserved. Tout droits réservés. Todos los derechos reservados.

All other trademarks belong to their respective companies./Toutes les autres marques de commerce sont la propriété de leurs détenteurs respectifs./Todas las otras marcas de comercio pertenecen a sus respectivas compañías.

