

Installation Instructions
Instrucciones de instalación
Instructions d'installation
English / Español / Français



Kenmore®

Undercounter Dishwasher (Stainless Steel Giant Tub Models)

Lavavajillas empotrado

(Modelos con tina gigante de acero inoxidable)

Lave-vaisselle encastré

(Modèles à cuve géante en acier inoxydable)

P/N W10297945A

Sears Brands Management Corporation
Hoffman Estates, IL 60179 U.S.A.

www.kenmore.com
www.sears.com

Sears Canada Inc.
Toronto, Ontario, Canada M5B 2B8

www.sears.ca



TABLE OF CONTENTS

DISHWASHER SAFETY..... 2

INSTALLATION REQUIREMENTS 3

 Tools and Parts..... 3

 Location Requirements..... 3

 Drain Requirements 5

 Water Supply Requirements 5

 Electrical Requirements 5

INSTALLATION INSTRUCTIONS..... 6

 Prepare cabinet opening using existing utility hookups 6

 Prepare cabinet opening where there are no existing utility hookups.....7

 Prepare Dishwasher..... 9

 Make Electrical Connection.....13

 Connect to water supply 14

 Connect to drain 14

 Secure dishwasher in cabinet opening15

ÍNDICE17

TABLE DES MATIÈRES32

DISHWASHER SAFETY

Your safety and the safety of others are very important.

We have provided many important safety messages in this manual and on your appliance. Always read and obey all safety messages.



This is the safety alert symbol.

This symbol alerts you to potential hazards that can kill or hurt you and others.

All safety messages will follow the safety alert symbol and either the word “DANGER” or “WARNING.”

These words mean:

⚠ DANGER

You can be killed or seriously injured if you don't immediately follow instructions.

⚠ WARNING

You can be killed or seriously injured if you don't follow instructions.

All safety messages will tell you what the potential hazard is, tell you how to reduce the chance of injury, and tell you what can happen if the instructions are not followed.

⚠ WARNING



Tip Over Hazard

Do not use dishwasher until completely installed.

Do not push down on open door.

Doing so can result in serious injury or cuts.

You need to:

- Slowly open dishwasher door while someone grasps the rear of the dishwasher. Remove shipping materials, drain hose and lower rack. Close dishwasher door until latched.
- Observe all governing codes and ordinances.
- Install this dishwasher as specified in these instructions.
- Installation should be performed by a qualified service technician. The dishwasher must be installed to meet all electrical and plumbing national and local codes and ordinances.

INSTALLATION REQUIREMENTS

Tools and Parts

Gather the required tools and parts before starting installation.

All installations

Tools needed:

- Pliers
- Phillips screwdriver
- $\frac{5}{16}$ " and $\frac{1}{4}$ " nut drivers or hex sockets
- Measuring tape or ruler
- 10" adjustable wrench that opens to $1\frac{1}{8}$ " (2.9 cm)
- Flat-blade screwdriver
- Utility knife
- 2 twist-on wire connectors which are the proper size to connect your household wiring to 16-gauge wiring in dishwasher

- Small level
- Flashlight
- Shallow pan
- $\frac{5}{8}$ " open-end wrench
- Bath towel
- Wood block

Parts Needed:

- $\frac{3}{8}$ " Compr x $\frac{3}{4}$ " hose fitting. Contact your local Sears Store to purchase Kit Number 11000.

In addition, for new installations

Tools needed:

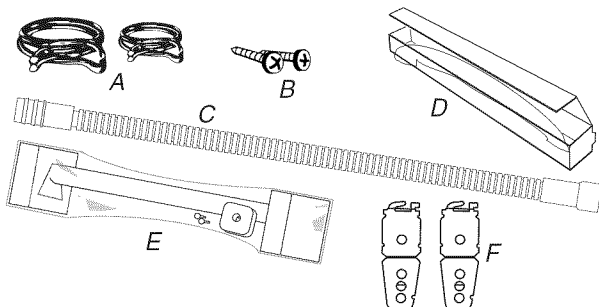
- Cordless drill with $\frac{1}{2}$ ", $\frac{3}{4}$ ", and $1\frac{1}{2}$ " hole saw bits
- Small tubing cutter
- Wire stripper
- $1\frac{1}{2}$ " to 2" screw-type clamp if connecting to waste tee

Parts needed:

- Copper tubing ($\frac{3}{8}$ " recommended) or flexible stainless steel braided fill line
- Clamp connector or conduit connector to fit a $\frac{7}{8}$ " (2.2 cm) diameter hole

Parts supplied

- A. 2 – drain hose clamps, 1 large and 1 small
- B. 2 – #10 x $\frac{1}{2}$ " Phillips-head screws
- C. Drain hose
- D. On some Kenmore Elite models, carton containing handle, hex key and 3 setscrews.
- E. On Kenmore PRO™ models, assembly containing handle, $2\frac{5}{8}$ " mounting screws, 2 backing plates and handle installation instruction sheet.
- F. 2 – undercounter mounting brackets (top)



Make sure all these parts are included. If not included, call 1-800-4-MY-HOME.

See separate parts list for accessories available for your dishwasher.

Location Requirements

Do not run drain lines, water lines or electrical wiring where they can interfere with or contact dishwasher motor or legs.

The location where the dishwasher will be installed must provide clearance between motor and flooring. Motor should not touch the floor.

Do not install dishwasher over carpeted flooring.

Shelter dishwasher and water lines leading to dishwasher against freezing. Damage from freezing is not covered by the warranty.

A side panel kit is available from your dealer for installing your dishwasher at the end of your cabinetry.

A moisture barrier accessory (Part Number 4396277) is available from your dealer for installing underneath the countertop. This may also be obtained by calling 1-800-4-MY-HOME.

Check location where dishwasher will be installed. The location must provide:

- easy access to water, electricity and drain.
- convenient access for loading and unloading dishes. Corner locations require a 2" (5.1 cm) minimum clearance between the side of the dishwasher door and the wall or cabinet.
- square opening for proper operation and appearance.
- cabinet front perpendicular to floor.
- level floor. (If floor at front of opening is not level with floor at rear of opening, shims may be needed to level dishwasher.)

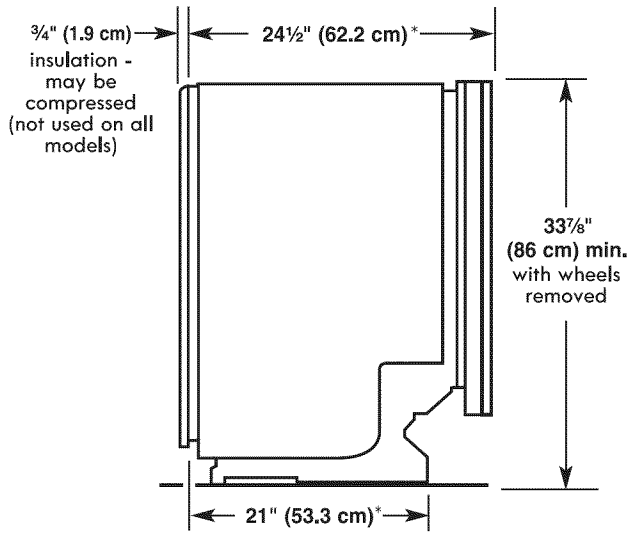
NOTE: To avoid shifting during dishwasher operation, shims must be securely attached to the floor.

If dishwasher will be left unused for a period of time or in a location where it may be subject to freezing, have it winterized by authorized service personnel.

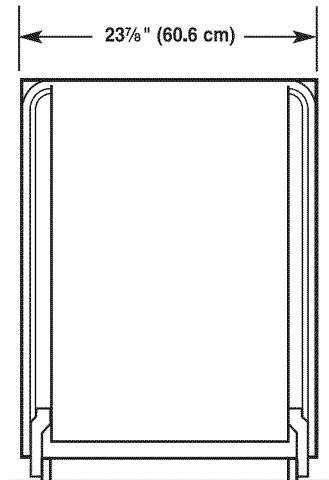
Make sure pipes, wires and drain hose are within the shaded area shown in the "Cutout dimensions" section.

Helpful Tip: If the floor in the dishwasher opening is uneven (example: tile flooring only partway into opening), you will need to be exact in measuring dimensions and in leveling dishwasher.

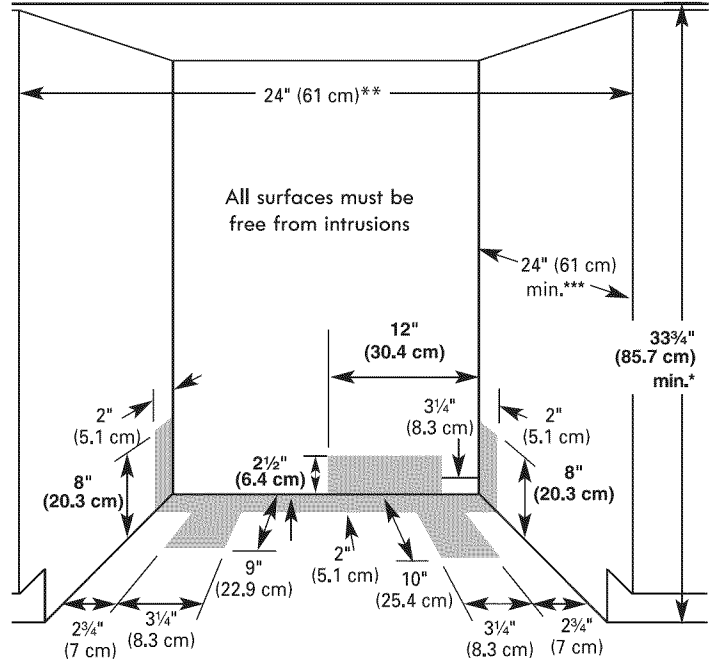
Product dimensions



SIDE VIEW



Cutout dimensions



Cut holes in shaded area of cabinet walls or floor as specified below:

- water line – 1/2" (1.3 cm)
- drain line – 1 1/2" (3.8 cm)
- direct wire – 3/4" (1.9 cm)
- power supply cord – 1 1/2" (3.8 cm)

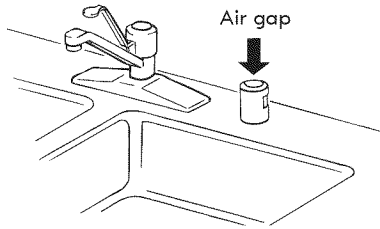
*Measured from the lowest point on the underside of countertop. May be reduced to 33 3/4" (85.7 cm) by removing wheels and perforated area of insulation (blanket) on dishwasher. See section "Prepare Dishwasher" for more details.

**Minimum, measured from narrowest point of opening.

***Minimum, measured from shallowest point of opening.

Drain Requirements

- Use the new drain hose supplied with your dishwasher. If this is not long enough, use a new drain hose with a maximum length of 12 ft (3.7 m) that meets all current AHAM/IAPMO test standards, is resistant to heat and detergent, and fits the 1" (2.5 cm) drain connector of the dishwasher.
- Connect drain hose to waste tee or disposer inlet above drain trap in house plumbing and 20" (50.8 cm) minimum above the floor. It is recommended that the drain hose either be looped up and securely fastened to the underside of the counter, or be connected to an air gap.



- Use an air gap if the drain hose is connected to house plumbing lower than 20" (50.8 cm) above subfloor or floor.
- Use 1/2" minimum I.D. drain line fittings.

Water Supply Requirements

- A hot water line with 20 to 120 psi (138 to 862 kPa) water pressure.
- 120°F (49°C) water at dishwasher.
- 3/8" O.D. copper tubing with compression fitting or flexible stainless steel braided fill line (1/2" minimum plastic tubing is not recommended).
- 3/8" compression x 3/4" hose fitting

Do not solder within 6" (15.2 cm) of water inlet valve.

Electrical Requirements

Contact a qualified electrician.

Assure that the electrical installation is adequate and in conformance with all national and local codes and ordinances.

You must have:

- 120-volt, 60 Hz, AC-only, 15- or 20- amp, fused electrical supply.
- Copper wire only.

We recommend:

- A time-delay fuse or circuit breaker.
- A separate circuit.

If direct wiring dishwasher:

- Use flexible, armored or nonmetallic sheathed, copper wire with grounding wire that meets the wiring requirements for your home and local codes and ordinances.
- Use strain relief method provided with house wiring junction box or install a UL Listed/CSA Approved clamp connector to the house wiring junction box. If using conduit, use a UL Listed/CSA Approved strain relief.

If connecting dishwasher with a power supply cord:

- Use Power Supply Cord Kit (Part Number 4317824) marked for use with dishwashers. Kit contents include:
 - Volex, Inc., UL Listed 16-gauge, 3-wire power supply cord with 3 prong grounded plug.
 - Neer C-500 7/8" strain relief.
 - 3 wire connectors.
 - Part Number 302797 grommet

Follow the kit instructions for installing the power supply cord.

- Power supply cord must plug into a mating 3 prong, grounded outlet, located in the cabinet next to the dishwasher opening. Outlet must meet all local codes and ordinances.

INSTALLATION INSTRUCTIONS

⚠ WARNING



Electrical Shock Hazard

Disconnect electrical power at the fuse box or circuit breaker box before installing dishwasher.

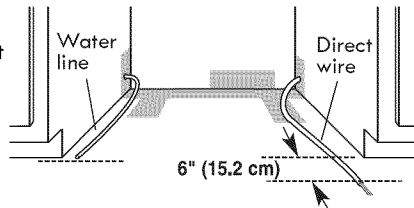
Failure to do so can result in death or electrical shock.

1. Disconnect power.
2. Turn off water supply.

Prepare cabinet opening using existing utility hookups

- Follow the steps in this section if you are installing the dishwasher in an existing cabinet opening with utility hookups.
- If you are installing the dishwasher in a cabinet opening that does not have hookups, follow the steps under "Prepare cabinet opening where there are no existing utility hookups" section.

1. Check that the water line reaches to the front left of opening where the water connection will be made.
2. Check that the direct wire reaches to the front right of opening where the electrical connection will be made.

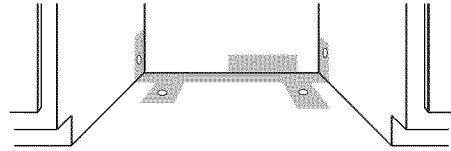


If the water line and the direct wire reach far enough into the opening, proceed to the next section "Install the drain hose." If they do not reach far enough, follow the steps under "Prepare cabinet opening where there are no existing utility hookups."

Install the drain hose

IMPORTANT: Always use a new drain hose when installing a new replacement dishwasher.

1. Drill a 1½" (3.8 cm) diameter hole in cabinet wall or floor on the side of the opening closest to the sink.



2. Connect drain hose to waste tee or waste disposer using one of the following methods:
 - Option 1, Waste disposer – with air gap
 - Option 2, No waste disposer – with air gap
 - Option 3, Waste disposer – no air gap*
 - Option 4, No waste disposer – no air gap*

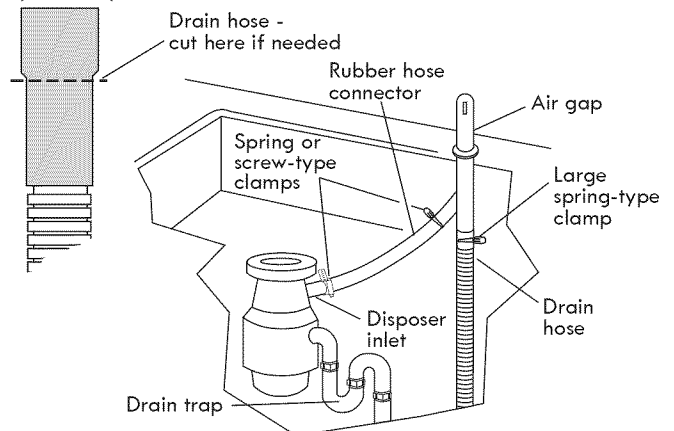
*An air gap is recommended.

Helpful Tip: To reduce the vibration of the hose, keep the hose away from the floor and the edge of the hole where it passes through the cabinet.

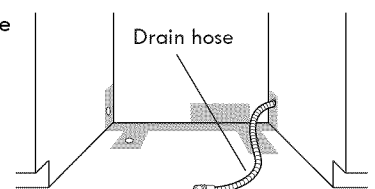
Option 1, Waste disposer - with air gap:

1. Remove the disposer knockout plug. Cut end of drain hose if needed (do not cut ribbed section).
2. Attach drain hose to air gap with large spring-type clamp. If the drain hose was cut, use a 1½" to 2" (3.8 to 5 cm) screw-type clamp*.
3. Use a rubber hose connector* with spring- or screw-type clamps* to connect air gap to disposer inlet.

This connection must be before the drain trap and at least 20" (50.8 cm) above the floor where dishwasher will be installed.



4. Insert drain hose through hole cut in cabinet to the front center of opening where drain connection will be made.

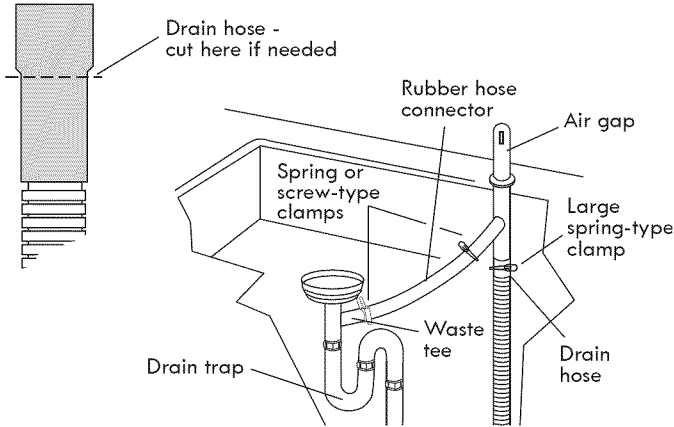


*Parts available from local plumbing supply stores.

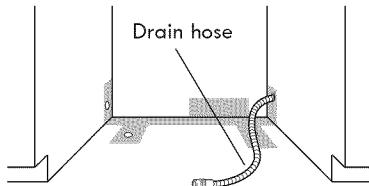
Option 2, No waste disposer - with air gap:

1. Cut end of drain hose if needed (do not cut ribbed section).
2. Attach drain hose to air gap with large spring-type clamp. If the drain hose was cut, use a 1½" to 2" (3.8 to 5 cm) screw-type clamp*.
3. Use a rubber hose connector* with spring or screw-type clamps* to connect air gap to waste tee.

This connection must be before the drain trap and at least 20" (50.8 cm) above the floor where dishwasher will be installed.



4. Insert drain hose through hole cut in cabinet to the front center of opening where drain connection will be made.

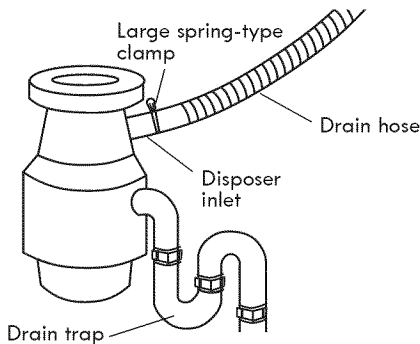


*Parts available from local plumbing supply stores.

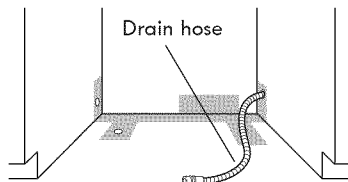
Option 3, Waste disposer - no air gap:

1. Remove the disposer knockout plug. Do not cut end of drain hose.
2. Attach drain hose to disposer inlet with large spring-type clamp.

This connection must be before the drain trap and at least 20" (50.8 cm) above the floor where dishwasher will be installed. It is recommended that the drain hose be looped up and securely fastened to the underside of the counter.



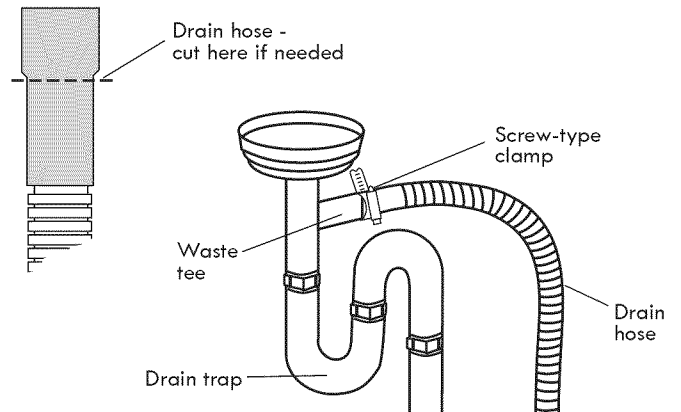
3. Insert drain hose through hole cut in cabinet to the front center of opening where drain connection will be made.



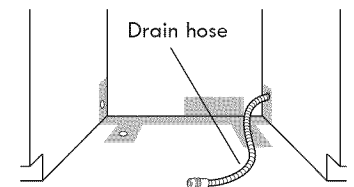
Option 4, No waste disposer - no air gap:

1. Cut end of drain hose if needed (do not cut ribbed section).
2. Attach drain hose to waste tee with 1½" to 2" (3.8 to 5 cm) screw-type clamp*.

This connection must be before the drain trap and at least 20" (50.8 cm) above the floor where dishwasher will be installed. It is recommended that the drain hose be looped up and securely fastened to the underside of the counter.



3. Insert drain hose through hole cut in cabinet to the front center of opening where drain connection will be made.



*Parts available from local plumbing supply stores.

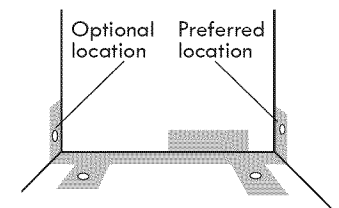
Prepare cabinet opening where there are no existing utility hookups

Electrical connection

Option 1, Direct wire method:

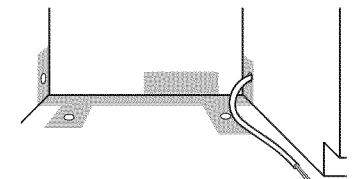
Helpful Tip: Wiring the dishwasher will be easier if you route wire into the cabinet opening from the right side.

1. Drill a ¾" (1.9 cm) hole in right-hand cabinet side, rear or floor. Preferred and optional locations are shown.
2. Wood cabinet: Sand the hole until smooth.



Metal cabinet: Cover hole with grommet, (Part Number 302797 - not provided.)

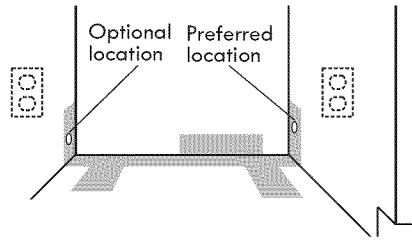
3. Run wire into house wiring junction box.
4. Install a UL Listed/CSA Approved clamp connector (strain relief) for flexible-type wire. If installing conduit, attach a UL Listed/CSA Approved strain relief to the junction box.
5. Run other end of wire through cabinet hole. Cable must extend to the right front of cabinet opening.



Option 2, Power supply cord method:

NOTE: A mating, 3 prong, ground-type wall receptacle is required in a cabinet next to the dishwasher opening.

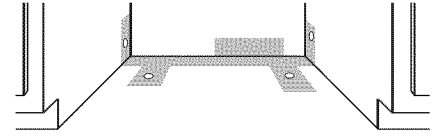
1. Drill a 1½" (3.8 cm) hole in the cabinet rear or side. Preferred and optional locations are shown.
2. Wood cabinet: Sand the hole until smooth.
Metal cabinet: Cover hole with grommet (Part Number 302797) included with power supply cord kit.



Install the drain hose

IMPORTANT: Always use a new drain hose.

1. Drill a 1½" (3.8 cm) diameter hole in cabinet wall or floor on the side of the opening closest to the sink.
2. Connect drain hose to waste tee or waste disposer using one of the following methods:
 - Option 1, Waste disposer – with air gap
 - Option 2, No waste disposer – with air gap
 - Option 3, Waste disposer – no air gap*
 - Option 4, No waste disposer – no air gap*



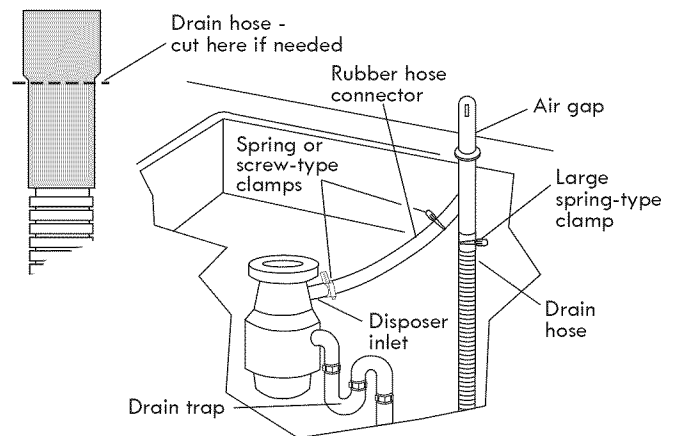
*An air gap is recommended.

Helpful Tip: To reduce the vibration of the hose, keep the hose away from the floor and the edge of the hole where it passes through the cabinet.

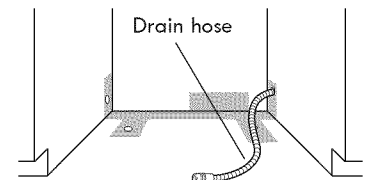
Option 1, Waste disposer - with air gap:

1. Remove the disposer knockout plug. Cut end of drain hose if needed (do not cut ribbed section).
2. Attach drain hose to air gap with large spring-type clamp. If the drain hose was cut, use a 1½" to 2" (3.8 to 5 cm) screw-type clamp*.
3. Use a rubber hose connector* with spring or screwtype clamps* to connect air gap to disposer inlet.

This connection must be before the drain trap and at least 20" (50.8 cm) above the floor where dishwasher will be installed.



4. Insert drain hose through hole cut in cabinet to the front center of opening where drain connection will be made.

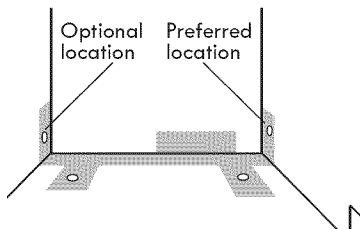


*Parts available from local plumbing supply stores.

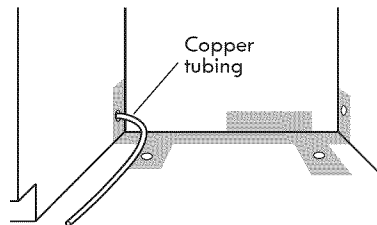
Install the water line

Helpful Tip: Routing the water line through the left side of cabinet opening will make water connection easier.

1. Drill a minimum ½" (1.3 cm) hole in the cabinet side, rear or floor. Preferred and optional locations are shown.



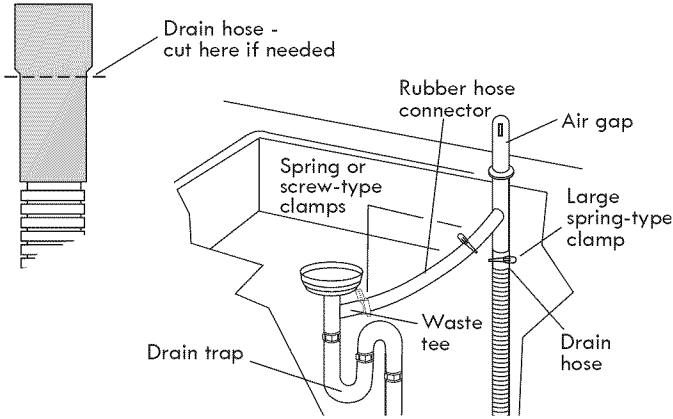
2. Measure overall length of copper tubing required.
3. Attach copper tubing to the water line with a manual shutoff valve.
4. Slowly feed copper tubing through hole in cabinet. Copper tubing will bend and kink easily, so be gentle. The copper tubing should be far enough into the cabinet opening to connect it to dishwasher inlet on the front left of the dishwasher.
5. Turn water shutoff valve to "ON" position. Flush water into a shallow pan to get rid of particles that may clog the inlet valve.
6. Turn shutoff valve to "OFF" position.



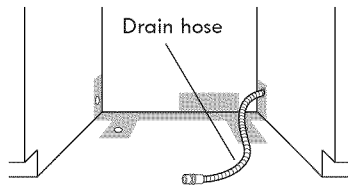
Option 2, No waste disposer - with air gap:

1. Cut end of drain hose if needed (do not cut ribbed section).
2. Attach drain hose to air gap with large spring-type clamp. If the drain hose was cut, use a 1½" to 2" (3.8 to 5 cm) screw-type clamp*.
3. Use a rubber hose connector* with spring or screw-type clamps* to connect air gap to waste tee.

This connection must be before the drain trap and at least 20" (50.8 cm) above the floor where dishwasher will be installed.



4. Insert drain hose through hole cut in cabinet to the front center of opening where drain connection will be made.

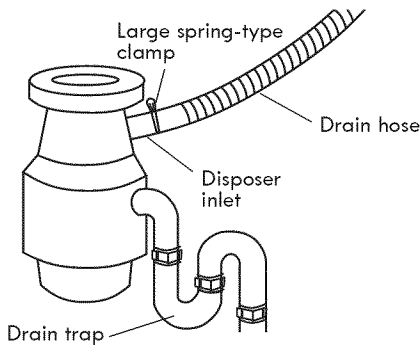


*Parts available from local plumbing supply stores.

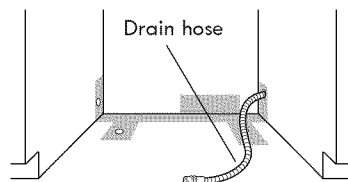
Option 3, Waste disposer - no air gap:

1. Remove the disposer knockout plug. Do not cut end of drain hose.
2. Attach drain hose to disposer inlet with large spring-type clamp.

This connection must be before the drain trap and at least 20" (50.8 cm) above the floor where dishwasher will be installed. It is recommended that the drain hose be looped up and securely fastened to the underside of the counter.



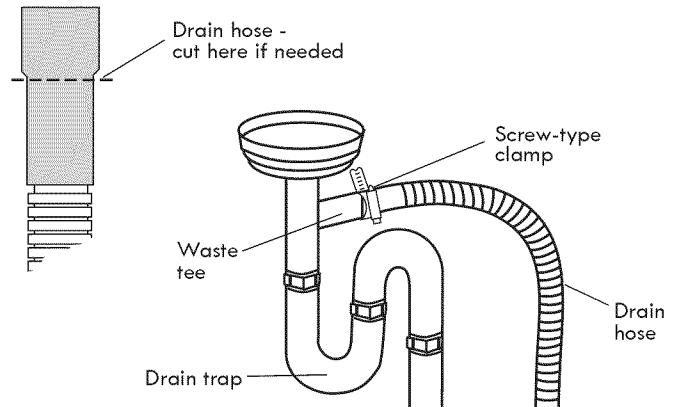
3. Insert drain hose through hole cut in cabinet to the front center of opening where drain connection will be made.



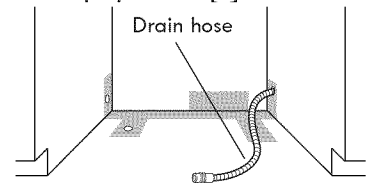
Option 4, No waste disposer - no air gap:

1. Cut end of drain hose if needed (do not cut ribbed section).
2. Attach drain hose to waste tee with 1½" to 2" (3.8 to 5 cm) screw-type clamp*.

This connection must be before the drain trap and at least 20" (50.8 cm) above the floor where dishwasher will be installed. It is recommended that the drain hose be looped up and securely fastened to the underside of the counter.



3. Insert drain hose through hole cut in cabinet to the front center of opening where drain connection will be made.



*Parts available from local plumbing supply stores.

Prepare Dishwasher

⚠ WARNING



Tip Over Hazard

**Do not use dishwasher until completely installed.
Do not push down on open door.
Doing so can result in serious injury or cuts.**

⚠ WARNING

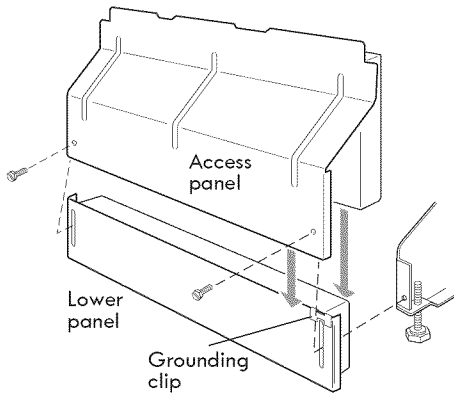
Excessive Weight Hazard

**Use two or more people to move and install dishwasher.
Failure to do so can result in back or other injury.**

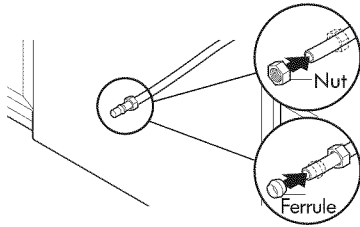
Helpful Tip: Put cardboard under dishwasher until it is installed in cabinet opening. The cardboard will help avoid damage to floor covering during installation.

1. Using 2 or more people, grasp the sides of dishwasher door frame and put the dishwasher on its back, resting on top of the corner posts.
2. Remove 2 screws attaching access panel and lower panel to dishwasher using a ¼" hex socket, nut driver or Phillips screwdriver.

- Remove panels and set panels aside on a covered surface.
- Check that grounding clip is attached to the lower panel.



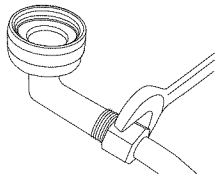
- Slide nut and ferrule onto tubing.



Copper tubing only: Slide nut, then ferrule, about 1" (2.5 cm) onto copper tubing.

NOTE: To avoid vibration during operation, route the water supply line so that it does not touch the dishwasher base, frame or motor.

- Add 90° elbow fitting to the water supply line.



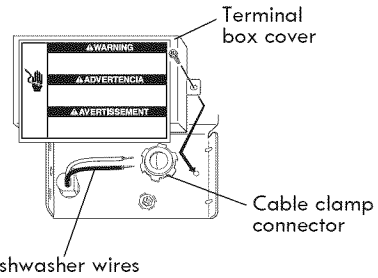
Connect the 3/8" compression fitting to the water supply line prior to installing the unit into the cabinet opening. Attach such that the 3/4" connection is facing upward.

Copper tubing only: Put the tubing into the 90° elbow fitting as far as it will go (the copper tubing bends and kinks easily). Slide the nut and ferrule forward and start the nut onto the elbow threads. Flexible braided connection: Secure nut to elbow using 5/8" open ended wrench or adjustable wrench.

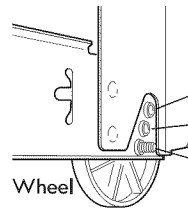
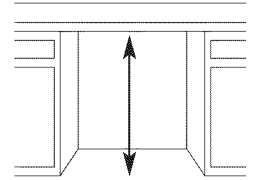
NOTE: Do not use Teflon[®] tape with compression fittings.

- Remove terminal box cover.

- If you are direct wiring: Install a UL Listed/CSA Approved clamp connector to the terminal box. If using conduit, use a UL Listed/CSA Approved strain relief.
- If you are installing a power supply cord kit, do so now, following kit instructions. The power supply cord kit must be UL Listed and marked for use with dishwashers (that is, Power Supply Cord Kit Part Number 4317824).



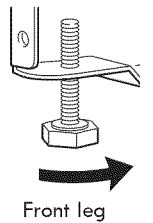
- Measure height of cabinet opening from underside of countertop to floor where dishwasher will be installed (you need the lowest opening). Check chart for that height opening. Put wheels in the required position.



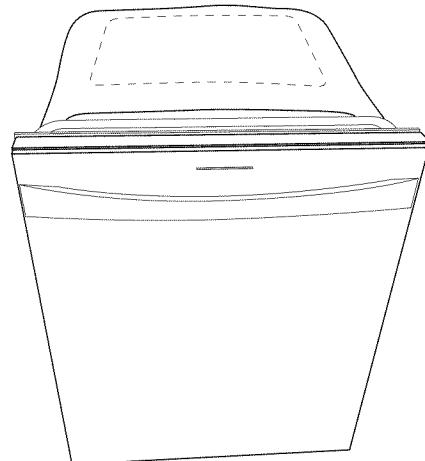
Minimum cutout height	Wheel position	Number of turns on front leg	Perforation on Blanket
33 3/4" (85.7 cm)	remove	all the way up	remove
33 7/8" (86 cm)	remove	all the way up	keep
34" (86.4 cm)	1	10	keep
34 1/4" (87 cm)	2	5	keep
34 1/2" (87.6 cm)	3	0	keep

- Turn both front leveler legs to the same height.

If the minimum cutout height is less than 34" (86.4 cm), the rear wheels can be removed for additional clearance. This will allow the dishwasher to fit into a 33 7/8" (86 cm) high cutout, but the dishwasher will be more difficult to move into position. If the wheels are removed, cover the floor when moving the dishwasher.



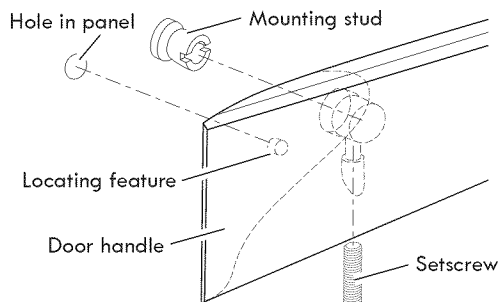
If the minimum cabinet opening height is 33 3/4" (85.7 cm), a section in the insulation blanket can be removed by cutting along the perforation.



Install the door handle (some Kenmore Elite models)

NOTES:

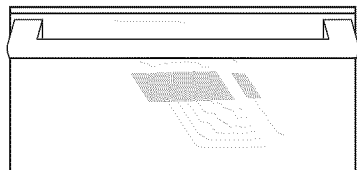
- To ease installation, using two or more people, place the dishwasher on its back.
 - To avoid scratching the front panel, place a soft cloth or towel against the panel while installing the door handle.
 - Setscrews are preinstalled in the handle.
1. Remove the door handle and hardware bag containing the hex key from the bubble pouch.
 2. Place the handle on the mounting studs. The setscrews should face down when installed correctly. If the handle is installed upside down, proper installation will not be possible.
 3. Push the door handle tightly against the door.
 4. Insert the short end of the hex key into the setscrew and tighten $\frac{1}{4}$ turn past snug. Setscrew will not be recessed into the handle.
 5. Repeat Step 4 for other setscrew.
 6. Keep the hex key with the Installation Instructions.
- NOTE:** The handle installation procedure should take less than 5 minutes.



Install the door handle (Kenmore PRO™ models)

IMPORTANT: Do not scratch the front panel during this procedure.

1. Remove the door handle assembly from the upper dishrack of the dishwasher.
2. Remove and discard the handle packaging. Be sure to retain the handle installation instructions and mounting hardware.
3. Install the door handle according to the handle installation instructions provided with the handle assembly.



Choose attachment option

! WARNING

Excessive Weight Hazard

Use two or more people to move and install dishwasher.

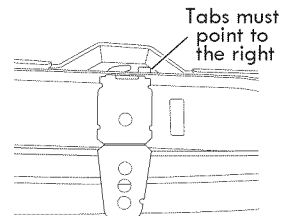
Failure to do so can result in back or other injury.

Using 2 or more people, stand the dishwasher up.

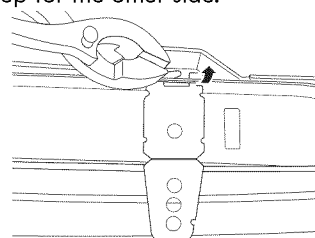
IMPORTANT: The dishwasher must be secured to the cabinet. There are 2 brackets found in the parts bag. Attach the brackets to the top of the dishwasher if the countertop is wood, laminate or another similar surface. If your countertop is marble, granite or another hard surface, install using Option 2.

Option 1, Countertop attachment

1. Remove the brackets from the package and place in the open slots on the left- and right-hand top of the dishwasher collar as shown.



2. Insert the bracket into the slot on the collar. Using a pair of pliers, bend the tab down to secure the bracket in place. Repeat this step for the other side.

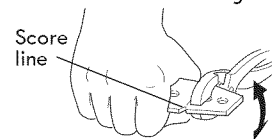


NOTE: Do not attach the dishwasher. This will be done later.

Option 2, Dishwasher with Stainless Steel Tub Side Attachment

(for marble, granite or other hard surface countertops)

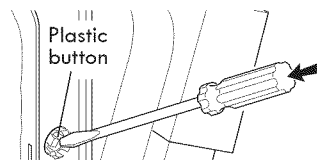
1. Remove the brackets from the parts package.
2. Break off the end of the bracket along the scored line.



3. With another person holding the dishwasher to keep it from tipping, open dishwasher door, and place towel over pump assembly and spray arm of dishwasher. This will keep screws from falling into pump area when securing dishwasher to cabinet.

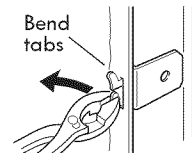
4. Push the plastic buttons out of the side of the tub.

NOTE: Save the buttons to cover the holes after dishwasher is installed.



5. Push bracket into slot on the side of dishwasher, and bend tab in toward the side of the dishwasher so that it keeps the bracket in place.

NOTE: Do not attach the dishwasher. This will be done later.



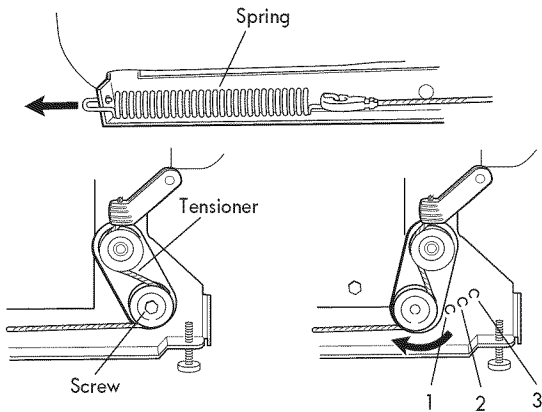
Option 3, Dishwasher with Plastic Tub Side Attachment

(for marble, granite or other hard surface countertops)

6. Order Mounting Bracket Kit Part Number 8212560.

Check door spring tension

1. With another person holding the dishwasher to keep it from tipping, open and close the door a few times. If the door closes or falls open under its own weight, the door tension will need to be adjusted.
2. To adjust the door spring tension, unhook the spring from the rear leg of dishwasher.
3. With a $\frac{5}{16}$ " nut driver or hex socket, remove the screw from the tensioner.
4. The screw can be put into one of three holes 1, 2, 3 in front leg of dishwasher. If the door closes by itself, move the tensioner to a higher number hole and replace screw. When door is unlatched, if it opens by itself, move tensioner to a lower numbered hole and replace screw.
5. Reattach door spring to rear leg. Tensioners on both sides of dishwasher should be secured at same holes.



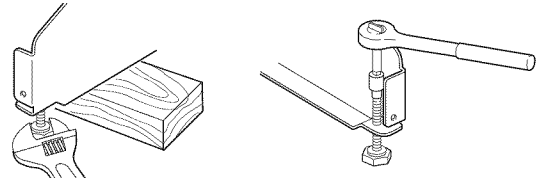
Move dishwasher into cabinet opening

1. Using 2 or more people, stand the dishwasher up.
2. Grasp the sides of the dishwasher at the edges of the door panel.
3. Tilt dishwasher backward on wheels and move dishwasher close to cabinet opening. Do not push on the front of the panel or on the console — they may dent.
4. If dishwasher has a power supply cord, insert power supply cord into hole cut into cabinet. If using direct wire, check that it is on the right front side of opening.
5. Check that water line is on the left side of opening and drain hose is near the center of the hole in the cabinet.
6. Slowly move dishwasher completely into cabinet opening. Do not kink or pinch copper tubing, drain hose, power supply cord or direct wire between dishwasher and cabinet.
Helpful Tip: Once the dishwasher is in position, you may have to support the front of the dishwasher by raising, lowering or shimming front feet.
7. Remove cardboard from under dishwasher.
8. Using the precut slots in the insulation, attach the insulation to the sides of the tub using the molded hooks on each side of the tub.

NOTE: It is all right if dishwasher fits tightly into cabinet opening. Do not remove insulation blanket — the blanket reduces the sound level.

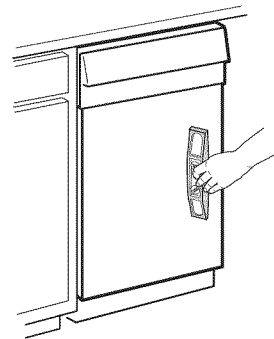
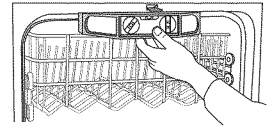
Level the dishwasher

1. Align front of dishwasher door panel with cabinet doors. You may need to adjust alignment to be even with your cabinets.
Helpful Tip: Prop up one side of frame to hold dishwasher up off floor when adjusting front legs.

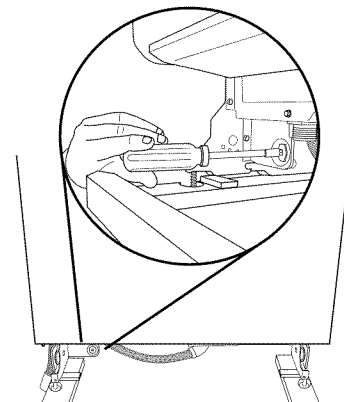


With some installations, it may be easier to adjust the front leg using the $\frac{3}{16}$ " hex head.

2. Check that leveling legs are firmly against the floor.
3. Place level against top front opening of tub. Check that dishwasher is level from side to side. If dishwasher is not level, adjust front legs up or down until dishwasher is level.
4. Close and latch the door. Place the level against the front of the dishwasher to check to see if it is vertically aligned.



5. If needed, adjust rear leveling leg by using a Phillips screwdriver to adjust the back of the unit. Turn the rear leveler located on the front left hand side of the lower compartment counterclockwise to raise the back of the unit.



Make Electrical Connection

Check “Electrical Requirements” section.

You need to:

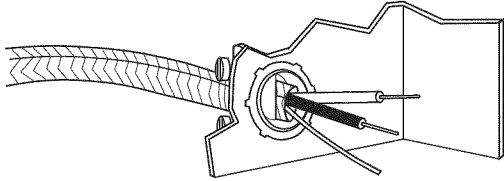
- have the correct electrical supply and recommended grounding method.

If you are:

- direct wiring, use Option 1
- using a power supply cord, use Option 2

Option 1, Direct wire method

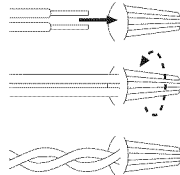
1. Route direct wire so that it does not touch dishwasher motors or lower part of dishwasher tub.



2. Pull direct wire through hole in terminal box.

Helpful Tip:

- Select the proper size twist-on connectors to connect your household wiring to 16-gauge dishwasher wiring.
- Insert wire ends into twist-on connector. Do not pre-twist bare wire.
- Twist connector.
- Gently tug on wires to be sure both are secured.



3. Connect the wires as follows using twist-on connectors sized to connect direct wire to 16-gauge dishwasher wire:

Power supply wire:	Terminal box wire:
white ↔ white	
black ↔ black	
ground wire ↔ green ground connector	

⚠ WARNING



Electrical Shock Hazard

Electrically ground dishwasher.

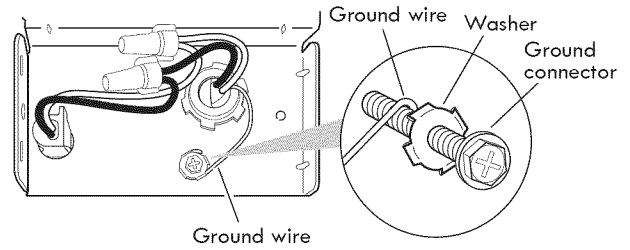
Connect ground wire to green ground connector in terminal box.

Do not use an extension cord.

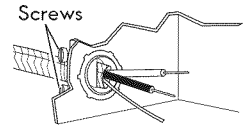
Failure to follow these instructions can result in death, fire, or electrical shock.

4. Form bare ground wire into a U-shaped hook. Wrap ground wire hook clockwise around ground connector and under the washer.

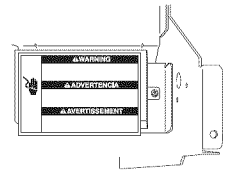
5. Securely tighten ground connector.



6. Tighten clamp connector or conduit connector screws.



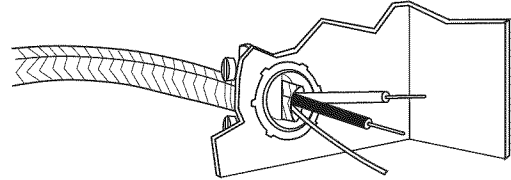
7. Reinstall terminal box cover with wires inside terminal box. The cover must be outside the box on the left side.



8. Make sure no wires are pinched by cover.

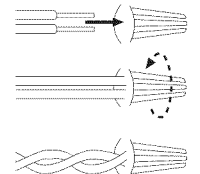
Option 2, Power supply cord method

1. Route the power supply cord so that it does not touch dishwasher motors or lower part of dishwasher tub.
2. Pull the direct wire through hole in terminal box.



Helpful Tip:

- Select the proper size twist-on connectors to connect your household wiring to 16-gauge dishwasher wiring.
 - Insert wire ends into UL Listed/CSA Approved twist-on connector. Do not pre-twist bare wire.
 - Twist connector.
 - Gently tug on wires to be sure both are secured.
3. Connect the wires as follows using twist-on connectors sized to connect power supply cord to 16-gauge dishwasher wire:



Power supply wire:	Terminal box wire:
white ↔ white	
black ↔ black	
ground wire ↔ green ground connector	

⚠ WARNING



Electrical Shock Hazard

Electrically ground dishwasher.

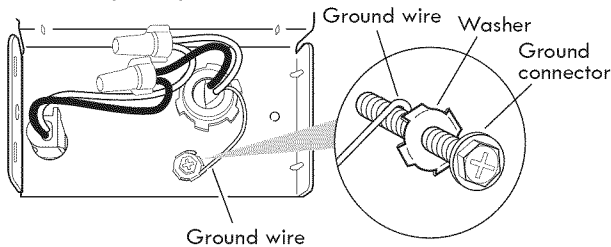
Connect ground wire to green ground connector in terminal box.

Do not use an extension cord.

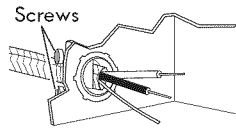
Failure to follow these instructions can result in death, fire, or electrical shock.

4. Form bare ground wire into a U-shaped hook. Wrap ground wire hook clockwise around ground connector and under the washer.

5. Securely tighten ground connector.



6. Tighten clamp connector or conduit connector screws.



7. Reinstall terminal box cover with wires inside terminal box.

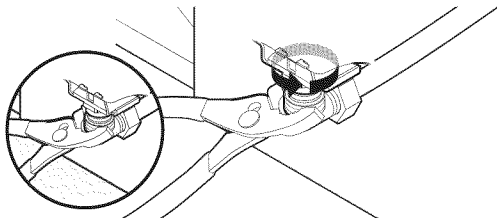
The cover must be outside the box on the left side.



8. Make sure no wires are pinched by cover.
9. Do not plug the dishwasher cord into the outlet until instructed to do so.
10. Check that power supply cord does not touch dishwasher motor or lower part of dishwasher tub.

Connect to water supply

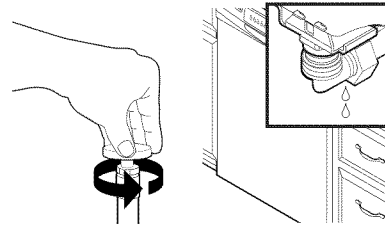
1. Tighten 90° elbow fitting to valve.



Be sure rubber washer is properly seated in fitting. Slide the $\frac{3}{4}$ " fitting up to the valve and hand tighten to avoid unintentional cross-threading. Hand tighten until the coupling is tight. Using pliers, check the tightness of the coupling. An additional $\frac{1}{4}$ to $\frac{1}{2}$ turn may be required to seal the rubber gasket.

NOTE: Do not overtighten. Damage to the coupling can result.

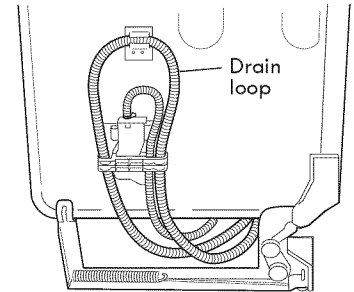
2. Check for leaks.



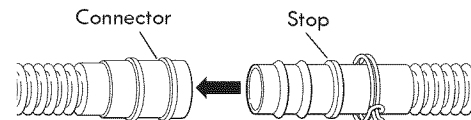
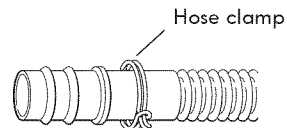
Place paper towel under 90° elbow fitting. Turn on water supply and check for leaks. If leak occurs, repeat previous step.

Connect to drain

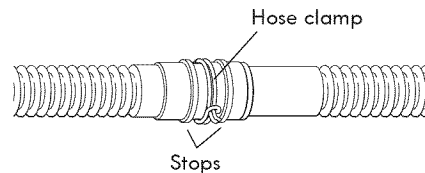
1. To help minimize vibration, route drain hose to avoid contact with motor, door springs, water line, cabinet, flooring or the edge of the hole where it passes through the cabinet.
2. Do not remove drain loop from side of dishwasher.
3. Place pan under end of drain hose. Pan will collect any water in drain hose.
4. Place the smaller drain hose clamp onto the small end of the drain hose.



5. Push the drain hose into the connector up to the stop on the drain hose.



6. Use pliers to open clamp and slide clamp onto connector between stops on connector as shown.



Secure dishwasher in cabinet opening

! WARNING



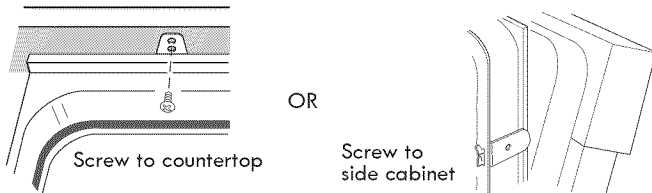
Tip Over Hazard

Do not use dishwasher until completely installed.

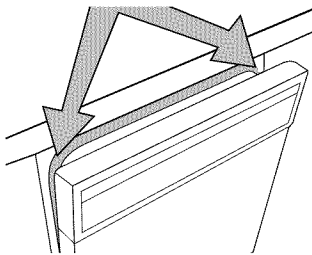
Do not push down on open door.

Doing so can result in serious injury or cuts.

1. If you have not already done so, open dishwasher door and place towel over pump assembly and spray arm of dishwasher. This will keep screws from falling into pump area if you unintentionally drop them when securing dishwasher to countertop.
2. Check that dishwasher is still level and centered side to side in the opening.
3. Secure dishwasher to countertop or sides of cabinet with 2, #10 x 1/2" Phillips-head screws. The dishwasher must be secured to keep it from tipping when door is opened.



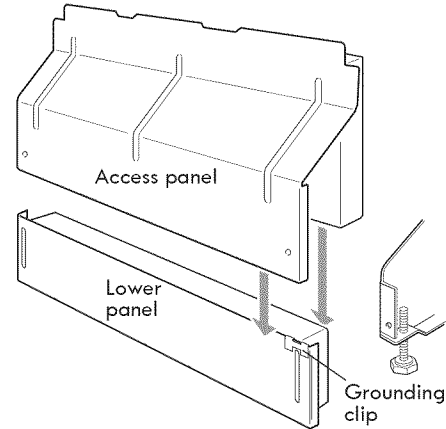
4. Open door about 3" (7.6 cm) and check that space between inner door and tub is equal on both sides. If spacing is not equal, loosen bracket screws and shift tub. Tighten bracket screws.
5. If using a countertop attachment to secure dishwasher, check that top of door does not contact screws, brackets, or countertop. If it does, dishwasher must be lowered and re-leveled.



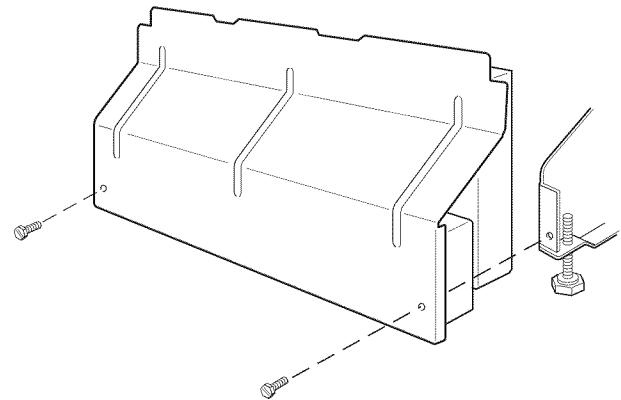
6. If securing with a side attachment, check that sides of door do not rub against the screw heads. If they do, dishwasher must be re-centered.
7. Remove towel from dishwasher.
8. Reinstall the lower dish rack.

Complete installation

1. Check that grounding clip is attached to the lower panel.
2. Place the lower panel behind the access panel. Some models have insulation on the access panel which must fall behind the insulation on the lower panel.




3. Hold the two panels together and place them against dishwasher leg.
4. Reinstall the screws through the holes in the access panel and the slots in the lower panel. Install right side screw first.



5. Check that the lower edge of the lower panel contacts the floor.
6. Tighten the screws.

Direct wire method:

⚠ WARNING



Electrical Shock Hazard

Electrically ground dishwasher.


Connect ground wire to green ground connector in terminal box.

Do not use an extension cord.

Failure to follow these instructions can result in death, fire, or electrical shock.

Power supply cord method:

⚠ WARNING



Electrical Shock Hazard

Plug into a grounded 3 prong outlet.

Do not remove ground prong.

Do not use an adapter.

Do not use an extension cord.

Failure to follow these instructions can result in death, fire, or electrical shock.

7. Reconnect power or plug in dishwasher.

Check operation

1. Read the Use and Care Guide that came with your dishwasher.
2. Check that all parts have been installed and no steps were skipped.
3. Check that you have all the tools you used.
4. Start dishwasher and allow it to complete the shortest wash cycle. After the first 2 minutes, unlatch door, wait 5 seconds, then open door.
5. Check to see that there is water in the bottom of the dishwasher tub. Check that dishwasher is working properly.
6. If not, disconnect power or unplug dishwasher and see "If dishwasher does not operate" section.

If dishwasher does not operate

First try the solutions suggested here to possibly avoid the cost of a service call.

- Has the circuit breaker tripped or the house fuse blown?
- Is the door closed tightly and latched?
- Has the cycle been set correctly to start the dishwasher?
- Is the water turned on?

If none of these work, call 1-800-4-MY-HOME.

ÍNDICE

SEGURIDAD DE LA LAVAVAJILLAS	17	INSTRUCCIONES DE INSTALACIÓN	21
REQUISITOS DE INSTALACIÓN	18	Prepare la abertura del armario usando	
Herramientas y piezas.....	18	las conexiones de servicio existentes	21
Requisitos de ubicación.....	18	Prepare la abertura del armario donde	
Requisitos de desagüe	20	no existen conexiones de servicio.....	22
Requisitos del suministro de agua	20	Prepare la lavavajillas	24
Requisitos eléctricos	20	Conexión eléctrica.....	28
		Conexión al suministro de agua.....	29
		Conexión al desagüe.....	30
		Asegure la lavavajillas en la abertura del armario	30

SEGURIDAD DE LA LAVAVAJILLAS

Su seguridad y la seguridad de los demás es muy importante.

Hemos incluido muchos mensajes importantes de seguridad en este manual y en su electrodoméstico. Lea y obedezca siempre todos los mensajes de seguridad.



Este es el símbolo de advertencia de seguridad.

Este símbolo le llama la atención sobre peligros potenciales que pueden ocasionar la muerte o una lesión a usted y a los demás.

Todos los mensajes de seguridad irán a continuación del símbolo de advertencia de seguridad y de la palabra "PELIGRO" o "ADVERTENCIA". Estas palabras significan:

! PELIGRO

Si no sigue las instrucciones de inmediato, usted puede morir o sufrir una lesión grave.

! ADVERTENCIA

Si no sigue las instrucciones, usted puede morir o sufrir una lesión grave.

Todos los mensajes de seguridad le dirán el peligro potencial, le dirán cómo reducir las posibilidades de sufrir una lesión y lo que puede suceder si no se siguen las instrucciones.

! ADVERTENCIA



Peligro de Vuelco

No use la lavavajillas antes de estar completamente instalada.

No se apoye en la puerta abierta.

No seguir estas instrucciones puede ocasionar heridas serias o cortaduras.

Usted necesita:

- Abrir lentamente la puerta de la lavavajillas mientras alguien sujeta la parte trasera de la lavavajillas. Quite los materiales de envío, la manguera de desagüe y la canasta inferior. Cierre la puerta de la lavavajillas hasta que quede asegurada.
- Cumplir con todos los códigos y reglamentos vigentes.
- Instalar la lavavajillas según se especifica en estas instrucciones.
- La instalación debe ser hecha por un técnico de servicio calificado. La lavavajillas debe instalarse de acuerdo con todos los códigos y reglamentos eléctricos y de plomería nacionales y locales.

REQUISITOS DE INSTALACIÓN

Herramientas y piezas

Reúna las herramientas y piezas necesarias antes de comenzar la instalación.

Todas las instalaciones

Herramientas necesarias:

- Pinzas
- Destornillador Phillips
- Llaves de tuercas o casquillos hexagonales de $\frac{5}{16}$ " y $\frac{1}{4}$ "
- Cinta de medir o regla
- Llave ajustable de 10" que se abra a $1\frac{1}{8}$ " (2,9 cm)
- Destornillador de punta plana
- Cuchillo de uso general
- 2 conectores de empalme retorcido para alambre que tengan el tamaño adecuado para conectar el cableado de su hogar al cableado calibre 16 de la lavavajillas

- Nivel pequeño
- Linterna
- Recipiente poco profundo
- Llave ajustable de $\frac{5}{8}$ "
- Toalla de baño
- Bloque de madera

Piezas necesarias:

- Conector a compresión de $\frac{3}{8}$ " x conector de manguera de $\frac{3}{4}$ ". Póngase en contacto con la tienda local de Sears para comprar el Juego N° 11000.

Además, para nuevas instalaciones

Herramientas necesarias:

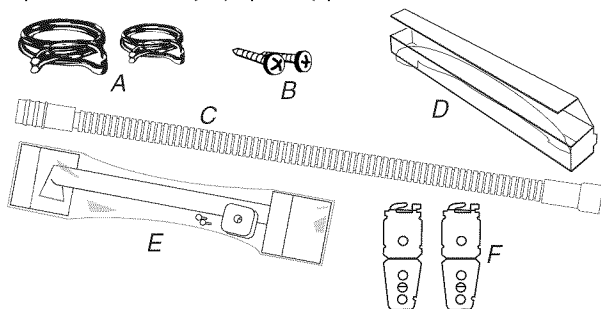
- Taladro inalámbrico con brocas de sierra perforadora de $\frac{1}{2}$ ", $\frac{3}{4}$ " y $1\frac{1}{2}$ "
- Cortatubos pequeño
- Pelacables
- Abrazadera tipo tornillo de $1\frac{1}{2}$ " a 2" si se ha de conectar al tubo de desperdicios.

Piezas necesarias:

- Tubería de cobre (se recomienda de $\frac{3}{8}$ ") o línea de llenado flexible de acero inoxidable
- Conector de abrazadera o conector de conductos que quepa en un orificio de $\frac{7}{8}$ " (2,2 cm) de diámetro

Piezas provistas

- 2 abrazaderas para la manguera de desagüe: 1 grande y 1 pequeña
- 2 tornillos Phillips No. 10 x $\frac{1}{2}$ "
- Manguera de desagüe
- En algunos modelos Kenmore Elite, un cartón conteniendo una manija, llave hexagonal y 3 tornillos opresores
- En los modelos Kenmore Elite, Kenmore PRO™, juego con manija, 2 tornillos de montaje de $\frac{5}{8}$ ", 2 placas de soporte y una hoja de instrucciones para instalar la manija.
- 2 soportes de montaje (superior) para el mostrador



Asegúrese de que todas las piezas estén incluidas. Si no lo están, llame al 1-800-4-MY-HOME.

Vea la lista de piezas que viene por separado para ver qué accesorios están disponibles para su lavavajillas.

Requisitos de ubicación

No instale tuberías de agua o desagüe o cables eléctricos donde puedan interferir o hacer contacto con el motor o las patas de la lavavajillas.

El lugar donde se instalará la lavavajillas debe permitir un espacio libre entre el motor y el piso. El motor no debe tocar el piso.

No instale la lavavajillas sobre piso alfombrado.

Proteja la lavavajillas y las líneas de agua que van a la lavavajillas contra el congelamiento. La garantía no cubre daños por congelación.

Puede obtener un juego de panel lateral con el distribuidor para instalar su lavavajillas en el extremo del armario.

Su distribuidor tiene un accesorio que funciona como barrera contra la humedad (Pieza N° 4396277) para ser instalado debajo del mostrador. Este puede obtenerse también llamando al 1-800-4-MY-HOME.

Revise el lugar donde instalará la lavavajillas. El lugar debe proveer:

- Fácil acceso a instalaciones de agua, electricidad y desagüe.
- Facilidad para cargar y descargar la lavavajillas. Los rincones deben tener un espacio libre mínimo de 2" (5,1 cm) entre el costado de la puerta de la lavavajillas y la pared o el armario.
- Una abertura cuadrada para que la lavavajillas funcione y se vea bien.
- Un armario delantero que sea perpendicular al piso.
- Piso nivelado. (Si el piso en la parte delantera de la abertura no está nivelado con el piso en la parte trasera de la abertura, puede usar cuñas para nivelar la lavavajillas.)

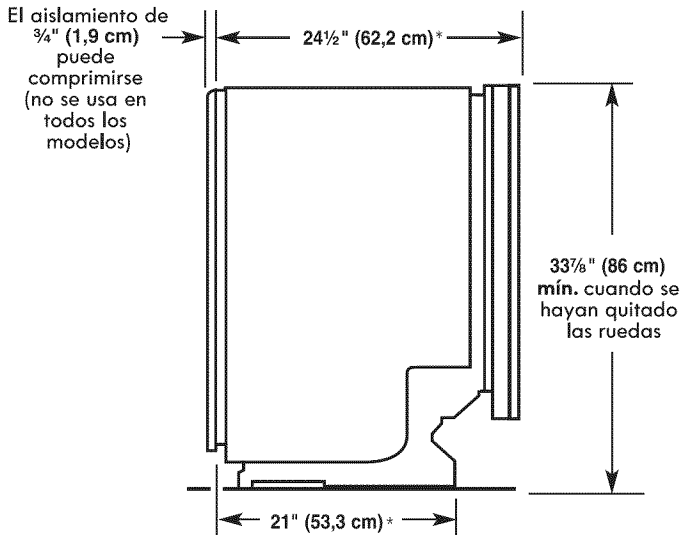
NOTA: Las cuñas deben adherirse con firmeza al piso para evitar que se muevan cuando se esté usando la lavavajillas.

Si va a dejar la lavavajillas sin uso por cierto tiempo o en un lugar donde pudiera congelarse, haga que un miembro del personal de servicio autorizado la prepare para el invierno.

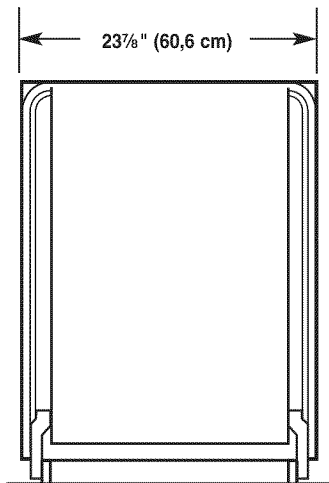
Asegúrese de que la tubería, los cables eléctricos y la manguera de desagüe estén en el área sombreada que se muestra en la sección "Dimensiones de corte".

Consejo útil: Si el piso de la abertura donde colocará la lavavajillas no es parejo (por ejemplo: piso con losetas sólo hasta cierta parte de la abertura), deberá ser exacto para tomar las medidas y nivelar la lavavajillas.

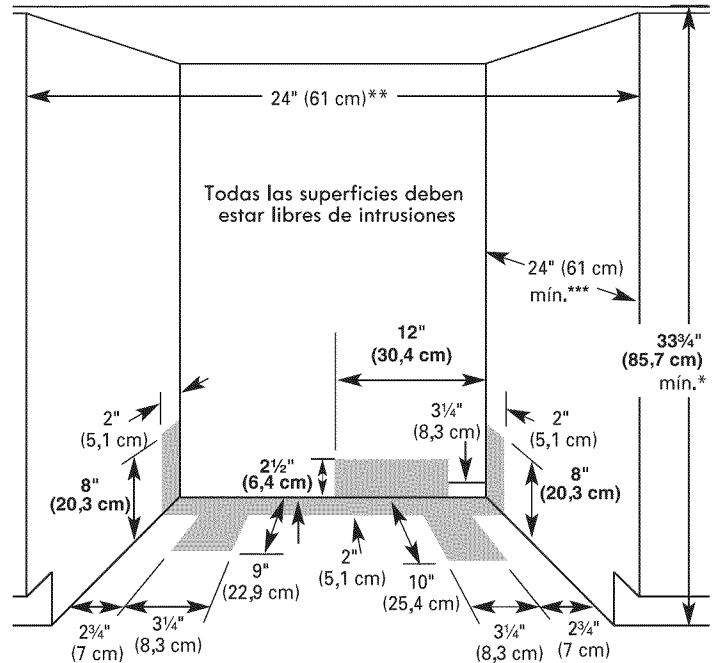
Dimensiones del producto



VISTA LATERAL



Dimensiones de corte



Corte orificios en el área sombreada de las paredes del armario o del piso, como se especifica a continuación:

tubería de agua – $\frac{1}{2}$ " (1,3 cm)

tubería de desagüe – $1\frac{1}{2}$ " (3,8 cm)

cable directo – $\frac{3}{4}$ " (1,9 cm)

cable de suministro de energía – $1\frac{1}{2}$ " (3,8 cm)

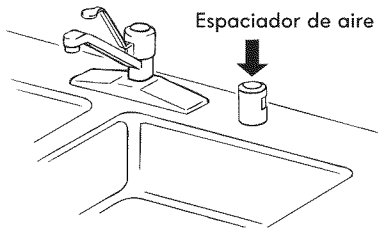
*Medidas tomadas desde el punto más bajo de la parte inferior del mostrador. Puede reducirse a $33\frac{3}{4}$ " (85,7 cm) quitando las ruedas y el área perforada del aislamiento (manta) en la lavavajillas. Vea la sección "Prepare la lavavajillas" para obtener más detalles.

**Mínimo, medidas tomadas desde el punto más angosto de la abertura.

***Mínimo, medidas tomadas desde el punto más superficial de la abertura.

Requisitos de desagüe

- Utilice la nueva manguera de desagüe provista con su lavavajillas. Si no fuera lo suficientemente larga, use una manguera de desagüe nueva de una longitud máxima de 12 pies (3,7 m) que cumpla con todos los estándares de prueba vigentes de la AHAM/IAPMO, sea resistente al calor y a los detergentes y quepa en el conector de desagüe de 1" (2,5 cm) de su lavavajillas.
- Conecte la manguera de desagüe al tubo de desperdicios o al recipiente de desechos sobre el sifón de desagüe en las instalaciones sanitarias de la casa y a un mínimo de 20" (50,8 cm) sobre el piso. Se recomienda que la manguera de desagüe se enrolle en un lazo y se sujete con seguridad a la parte inferior del mostrador o que se conecte a un espaciador de aire.



- Use un espaciador de aire si la manguera de desagüe está conectada a las instalaciones sanitarias de la casa a menos de 20" (50,8 cm) sobre el contrapiso o el piso.
- Utilice accesorios de tubería de desagüe con diámetro interno de 1/2" como mínimo.

Requisitos del suministro de agua

- Tubería de agua caliente con una presión de agua de 20 a 120 lb/pulg² (138 a 862 kPa).
- Agua a 120°F (49°C) en la lavavajillas.
- Tubería de cobre con 3/8" de diámetro exterior con accesorio de compresión o línea de llenado flexible de acero inoxidable con cubierta trenzada (no se recomienda usar tubería plástica con un mínimo de 1/2").
- Conector a compresión de 3/8" x conector de manguera de 3/4".

No suelde dentro de una distancia de 6" (15,2 cm) de la válvula de entrada de agua.

Requisitos eléctricos

Póngase en contacto con un electricista calificado.

Asegúrese de que la instalación eléctrica sea adecuada y cumpla con todos los códigos y reglamentos nacionales y locales.

Usted debe tener:

- Un suministro eléctrico de 120 voltios, 60 Hz, CA solamente, de 15 ó 20 amperios con fusible.
- Alambre de cobre solamente.

Recomendamos:

- Un fusible de retardo o un disyuntor.
- Un circuito separado.

Si está haciendo una conexión directa a la lavavajillas:

- Utilice cable de cobre flexible, blindado o con forro no metálico con alambre de puesta a tierra adecuado a los requisitos de cableado de su hogar y que cumpla con los códigos y reglamentos de su localidad.
- Utilice el protector de cables provisto con la caja de empalmes de su hogar o instale en la caja de empalmes un conector de abrazadera aprobado por el ETL/CSA de UL Aprobó en la caja de empalmes de su hogar. Si usa un conducto para cables, use un protector de cables aprobado por el UL/certificado por CSA.

Si está conectando la lavavajillas con un cable de suministro de energía:

- Utilice el Juego de cable de suministro de energía (Pieza No. 4317824) que está marcado para ser usado con lavavajillas. El juego contiene:

- Cable de suministro de energía de Volex, Inc. en la lista de UL, de 3 hilos de calibre 16 con un enchufe de 3 terminales con conexión a tierra.
- Protector de cables Neer C-500 de 7/8".
- 3 conectores de alambre.
- Aro de refuerzo, pieza N° 302797.

Siga las instrucciones del juego para instalar el cable de suministro de energía.

- El cable de suministro de energía debe enchufarse en un contacto de conexión a tierra de tres terminales, ubicado en el armario próximo a la abertura de la lavavajillas. El contacto debe estar conforme a todos los códigos y ordenanzas locales.

INSTRUCCIONES DE INSTALACIÓN

⚠ ADVERTENCIA



Peligro de Choque Eléctrico

Desconecte el suministro de energía en la caja de fusibles o cortacircuitos antes de instalar la lavavajillas.

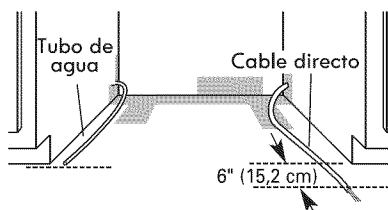
No seguir esta instrucción puede ocasionar la muerte o choque eléctrico.

1. Desconecte el suministro de energía.
2. Cierre el suministro de agua.

Prepare la abertura del armario usando las conexiones de servicio existentes

- Siga los pasos en esta sección si está instalando la lavavajillas en una abertura del armario con conexiones de servicio existentes.
- Si está instalando la lavavajillas en un espacio del armario que no tiene conexiones, siga los pasos de la sección "Prepare la abertura del armario donde no existen conexiones de servicio".

1. Verifique que la tubería de agua llegue a la parte frontal izquierda de la abertura donde se hará la conexión de agua.



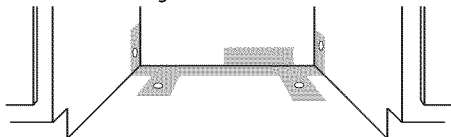
2. Verifique que el cable directo llegue a la parte frontal derecha de la abertura del armario donde se hará la conexión eléctrica.

Si la tubería de agua y el cable directo llegan lo suficientemente lejos en la abertura, proceda a la siguiente sección "Instalación de la manguera de desagüe". Si no llegan lo suficientemente lejos, siga los pasos de la sección "Prepare la abertura del armario donde no existen conexiones de servicio".

Instalación de la manguera de desagüe

IMPORTANTE: Siempre utilice una manguera de desagüe nueva, aunque instale una lavavajillas nueva que reemplace a otra.

1. Perfore un orificio de 1½" (3,8 cm) de diámetro en la pared o el piso del armario, en el lado de la abertura del armario que esté más cerca del fregadero.



2. Conecte la manguera de desagüe al tubo de desperdicios o al recipiente de desechos utilizando uno de los siguientes métodos.

- Opción 1: con recipiente de desechos – con espaciador de aire
- Opción 2: sin recipiente de desechos – con espaciador de aire
- Opción 3: con recipiente de desechos – sin espaciador de aire*
- Opción 4: sin recipiente de desechos – sin espaciador de aire*

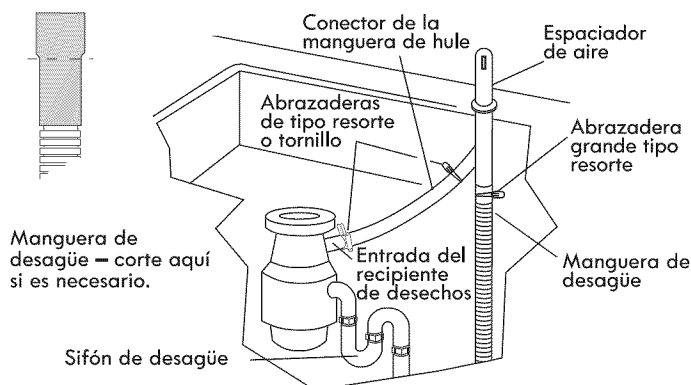
*Se recomienda un espaciador de aire

Consejo útil: Para reducir la vibración de la manguera, mantenga ésta lejos del piso y del borde del orificio por el que ésta pasa a través del armario.

Opción 1, Recipiente de desechos - con espaciador de aire:

1. Quite el tapón del disco removible. Corte el extremo de la manguera de desagüe si es necesario (no corte la sección ranurada).
2. Sujete la manguera de desagüe al espaciador de aire con una abrazadera grande de tipo resorte. Si se cortó la manguera de desagüe, utilice una abrazadera* de tipo tornillo de 1½" a 2" (3,8 a 5 cm).
3. Utilice un conector* de manguera de hule con abrazaderas* de resorte o de tornillo para conectar el espaciador de aire a la entrada del recipiente de desechos.

Esta conexión debe hacerse antes del sifón de desagüe y al menos a 20" (50,8 cm) por encima del piso en que se instalará la lavavajillas.



4. Inserte la manguera de desagüe en el orificio hecho en el armario y diríjala al centro frontal de la abertura donde se hará la conexión del desagüe.

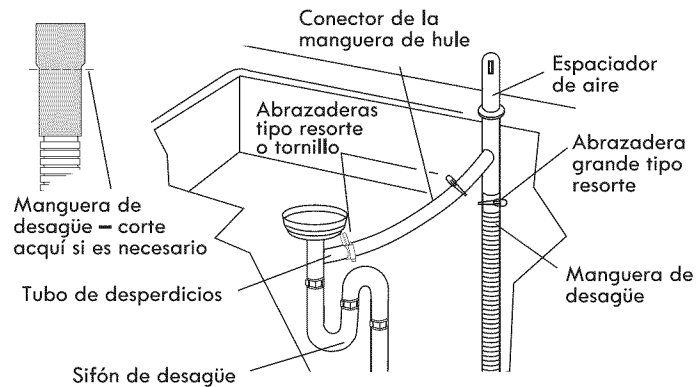


*Estas partes se pueden encontrar en las tiendas locales de artículos de plomería.

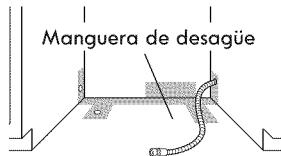
Opción 2, Sin recipiente de desechos – con espaciador de aire:

1. Corte el extremo de la manguera si es necesario (no corte la sección ranurada).
2. Sujete la manguera de desagüe al espaciador de aire con una abrazadera grande de tipo resorte. Si se cortó la manguera de desagüe, utilice una abrazadera* de tipo tornillo de 1½" a 2" (3,8 a 5 cm).
3. Utilice un conector* de hule con abrazaderas* de resorte o de tornillo para conectar el espaciador de aire al tubo de desperdicios.

Esta conexión debe hacerse antes del sifón de desagüe y al menos a 20" (50,8 cm) por encima del piso en que se instalará la lavavajillas.



4. Inserte la manguera de desagüe en el orificio hecho en el armario y diríjela al centro frontal de la abertura donde se hará la conexión del desagüe.

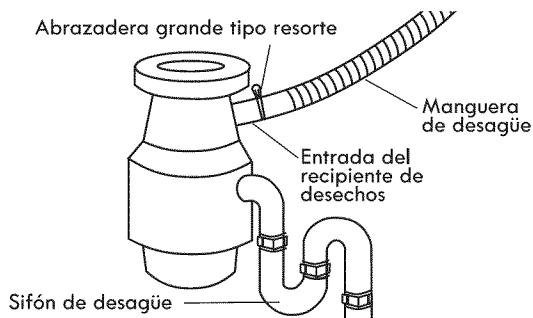


*Estas partes se pueden encontrar en las tiendas locales de artículos de plomería.

Opción 3, Con recipiente de desechos – sin espaciador de aire:

1. Quite el tapón del disco removible. No corte el extremo de la manguera de desagüe.
2. Sujete la manguera de desagüe al recipiente de desechos con una abrazadera grande de tipo resorte.

Esta conexión debe hacerse antes del sifón de desagüe y al menos a 20" (50,8 cm) por encima del piso en que se instalará la lavavajillas. Se recomienda que la manguera de desagüe se enrosque y se fije de manera segura a la superficie inferior del mostrador.

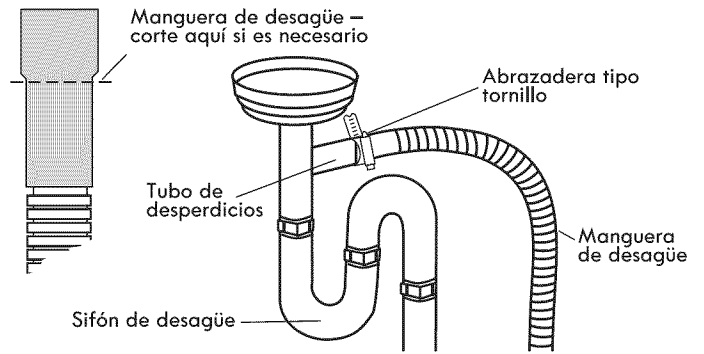


3. Inserte la manguera de desagüe en el orificio hecho en el armario y diríjela al centro frontal de la abertura donde se hará la conexión del desagüe.



Opción 4. - Sin recipiente de desechos – sin espaciador de aire:

1. Corte el extremo de la manguera de desagüe si es necesario (no corte la sección ranurada).
2. Sujete la manguera de desagüe al tubo de desperdicios con una abrazadera* de tipo tornillo de 1½" a 2" (3,8 a 5 cm). Esta conexión debe hacerse antes del sifón de desagüe y al menos a 20" (50,8 cm) por encima del piso en que se instalará la lavavajillas. Se recomienda que la manguera de desagüe se enrosque y se fije de manera segura a la superficie inferior del mostrador.



3. Inserte la manguera de desagüe en el orificio hecho en el armario y diríjela al centro frontal de la abertura donde se hará la conexión del desagüe.



*Estas partes se pueden encontrar en las tiendas locales de artículos de plomería.

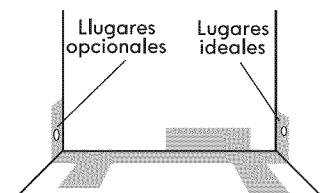
Prepare la abertura del armario donde no existen conexiones de servicio

Conexión eléctrica

Opción 1, Método de cable directo:

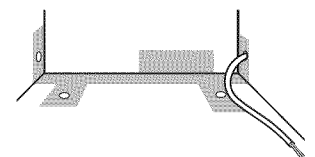
Consejo útil: El cableado de la lavavajillas se hará más fácilmente si hace pasar el cable por la abertura del armario, desde del lado derecho.

1. Perfore un orificio de ¾" (1,9 cm) en la parte derecha, la parte posterior o el piso del armario. Los lugares ideales y opcionales aparecen en la ilustración.



2. Armario de madera: Lije el orificio hasta que quede uniforme. Armario metálico: Cubra el orificio con un aro de refuerzo (Pieza No 302797, no incluida).
3. Dirija el cable dentro del compartimento de la caja de empalmes del hogar.

4. Instale un conector de abrazadera que esté en la lista de El Listó/CSA de UL Aprobó (protector de cables) para cable de tipo flexible. Si va a instalar un conducto, sujete un protector de cables que esté en la lista de UL y aprobado por CSA a la caja de empalmes.

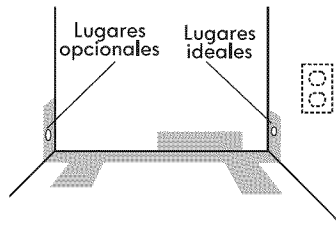


5. Pase el otro extremo del cable a través del orificio del armario. El cable debe extenderse hasta la parte frontal derecha de la abertura del armario.

Opción 2, Método del cable de suministro de energía:

NOTA: Se necesita un contacto apropiado de pared con conexión a tierra de tres terminales en un armario que esté al lado de la abertura de la lavavajillas.

1. Perfore un orificio de 1½" (3,8 cm) en la parte posterior o lateral del armario. Los lugares ideales y opcionales aparecen en la ilustración.



2. Armario de madera: Lije el orificio hasta que quede liso.
Armario metálico: Cubra el orificio con un aro de refuerzo (Parte N° 302797) incluido en el juego de cable de suministro de energía.

2. Conecte la manguera de desagüe al tubo de desperdicios o al recipiente de desechos utilizando uno de los siguientes métodos:

- Opción 1: con recipiente de desechos – con espaciador de aire.
- Opción 2: sin recipiente de desechos – con espaciador de aire.
- Opción 3: con recipiente de desechos – sin espaciador de aire*.
- Opción 4: sin recipiente de desechos – sin espaciador de aire*.

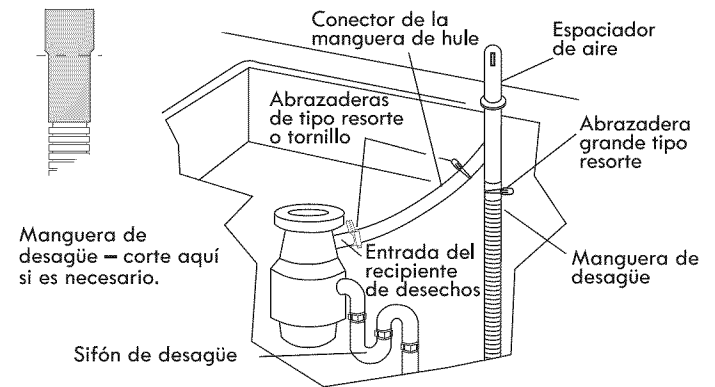
*Se recomienda un espaciador de aire.

Consejo útil: Para reducir la vibración de la manguera, manténgala lejos del piso y del borde del orificio por donde aquélla pasa a través del armario.

Opción 1, Recipiente de desechos – con espaciador de aire:

1. Quite el tapón del disco removible del recipiente de desechos. Corte el extremo de la manguera de desagüe si es necesario (no corte la sección ranurada).
2. Sujete la manguera de desagüe al espaciador de aire con una abrazadera grande tipo resorte. Si la manguera de desagüe se cortó, utilice una abrazadera* de tipo tornillo de 1½" a 2" (3,8 a 5 cm).
3. Utilice un conector* de hule con abrazaderas* de resorte o de tornillo para conectar el espaciador de aire a la entrada del recipiente de desechos.

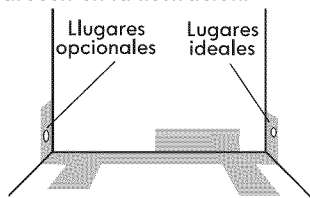
Esta conexión debe hacerse antes del sifón de desagüe y al menos a 20" (50,8 cm) por encima del piso en que se instalará la lavavajillas.



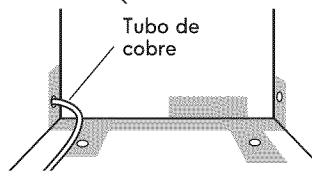
Instale la tubería de agua

Consejo útil: Si pasa la tubería de agua por el lado izquierdo de la abertura del armario, será más fácil hacer la conexión del agua.

1. Perfore un orificio de al menos ½" (1,3 cm) en la parte lateral, posterior o en el piso del armario. Los lugares ideales y opcionales aparecen en la ilustración.



2. Mida la longitud general del tubo de cobre que necesitará.
3. Sujete el tubo de cobre a la tubería de agua con la válvula de cierre manual.
4. Pase lentamente el tubo de cobre a través del orificio en el armario. El tubo de cobre se doblará y enroscará fácilmente, por lo cual hágalo suavemente. El tubo de cobre llegará lo suficientemente lejos dentro del armario para poder conectar éste a la entrada de la lavavajillas en la parte frontal izquierda de la lavavajillas.
5. Ponga en posición "ON" (Abierta) la válvula de cierre del agua. Drene el agua en un recipiente llano para eliminar las partículas que pudieran obstaculizar la válvula de entrada.
6. Ponga en posición "OFF" (Cerrada) la válvula de cierre del agua.



4. Inserte la manguera de desagüe en el orificio hecho en el armario y diríjala al centro frontal de la abertura donde se hará la conexión del desagüe.



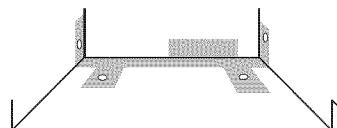
*Estas partes se pueden encontrar en las tiendas locales de artículos de plomería.

Opción 2, Sin recipiente de desechos – con espaciador de aire:

1. Corte el extremo de la manguera si es necesario (no corte la sección ranurada).
2. Sujete la manguera de desagüe al espaciador de aire con una abrazadera grande tipo resorte. Si la manguera de desagüe se cortó, utilice una abrazadera* tipo tornillo de 1½" a 2" (3,8 a 5 cm).

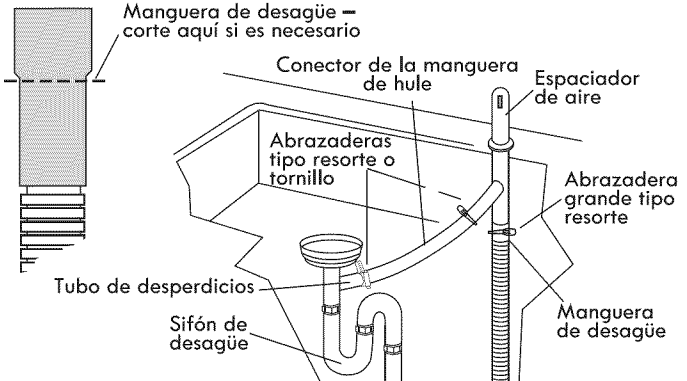
IMPORTANTE: Siempre utilice una nueva manguera de desagüe.

1. Perfore un orificio de 1½" (3,8 cm) de diámetro en la pared o el piso del armario, en el lado de la abertura del armario que esté más cerca del fregadero.



- Utilice un conector* de hule con abrazaderas* de resorte o de tornillo para conectar el espaciador de aire al tubo de desperdicios.

Esta conexión debe hacerse antes del sifón de desagüe y al menos a 20" (50,8 cm) por encima del piso en que se instalará la lavavajillas.



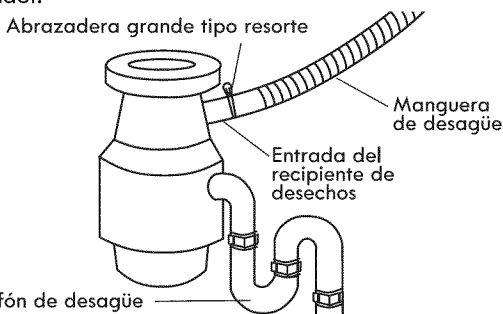
- Inserte la manguera de desagüe en el orificio hecho en el armario y diríjala al centro frontal de la abertura donde se hará la conexión del desagüe.

*Estas partes se pueden encontrar en las tiendas locales de artículos de plomería.

Opción 3, Con recipiente de desechos – sin espaciador de aire:

- Quite el tapón del disco removible del recipiente de desechos. No corte el extremo de la manguera de desagüe.
- Sujete la manguera de desagüe a la entrada del recipiente de desechos con una abrazadera grande tipo resorte.

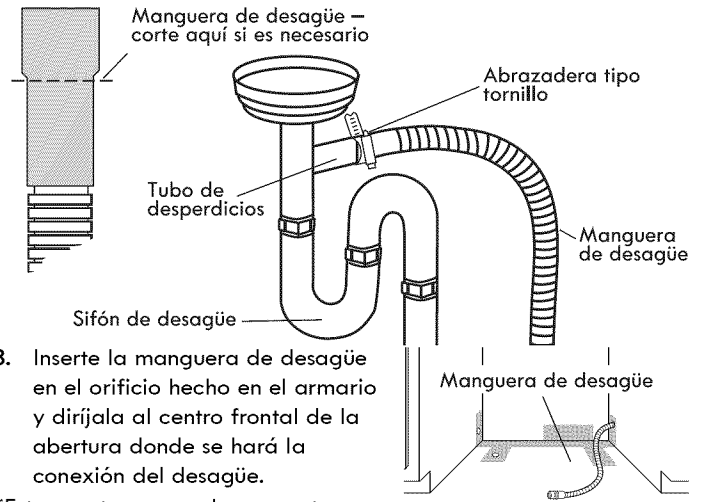
Esta conexión debe hacerse antes del sifón de desagüe y al menos a 20" (50,8 cm) por encima del piso en que se instalará la lavavajillas. Se recomienda que la manguera de desagüe se enrolle y se fije de manera segura a la superficie inferior del mostrador.



- Inserte la manguera de desagüe en el orificio hecho en el armario y diríjala al centro frontal de la abertura donde se hará la conexión del desagüe.

Opción 4, Sin recipiente de desechos – sin espaciador de aire:

- Corte el extremo de la manguera de desagüe si es necesario (no corte la sección ranurada).
- Sujete la manguera de desagüe al tubo de desperdicios con una abrazadera* tipo tornillo de 1½" a 2" (3,8 a 5 cm). Esta conexión debe hacerse antes del sifón de desagüe y al menos a 20" (50,8 cm) por encima del piso en donde se instalará la lavavajillas. Se recomienda que la manguera de desagüe se enrolle y se fije de manera segura a la superficie inferior del mostrador.



- Inserte la manguera de desagüe en el orificio hecho en el armario y diríjala al centro frontal de la abertura donde se hará la conexión del desagüe.

*Estas partes se pueden encontrar en las tiendas locales de artículos de plomería.

Prepare la lavavajillas

⚠ ADVERTENCIA



Peligro de Vuelco

No use la lavavajillas antes de estar completamente instalada.

No se apoye en la puerta abierta.

No seguir estas instrucciones puede ocasionar heridas serias o cortaduras.

⚠ ADVERTENCIA

Peligro de Peso Excesivo

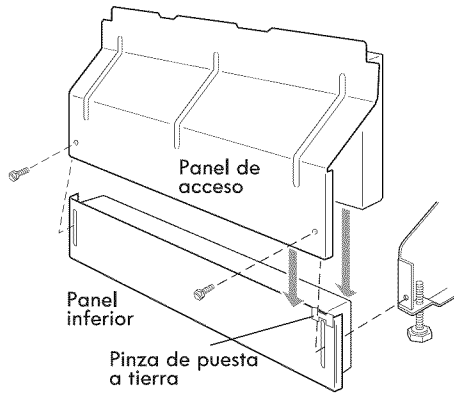
Use dos o más personas para mover e instalar la lavavajillas.

No seguir esta instrucción puede ocasionar una lesión en la espalda u otro tipo de lesiones.

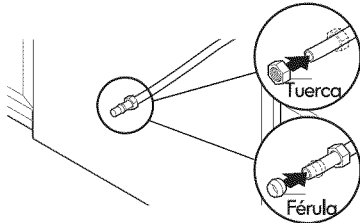
Consejo útil: Ponga un cartón bajo la lavavajillas hasta que ésta esté instalada en el espacio del armario. Este cartón ayudará a proteger el piso durante la instalación.

- Con la ayuda de dos o más personas, sujete los lados del marco de la puerta de la lavavajillas y coloque la lavavajillas sobre su parte posterior, encima de los postes esquinales.
- Quite los dos tornillos que sujetan el panel de acceso y el panel inferior a la lavavajillas, utilizando una llave de tubo de cabeza hexagonal de ¼", una llave de tuercas o un destornillador Phillips.
- Quite los paneles y colóquelos al lado en una superficie cubierta.

4. Verifique que la pinza de puesta a tierra esté sujeta al panel inferior.



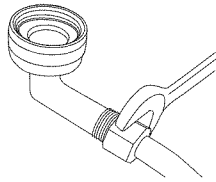
5. Deslice la tuerca y la férula en la tubería.



Tubería de cobre solamente: Deslice la tuerca y luego la férula aproximadamente 1" (2,5 cm) en la tubería de cobre.

NOTA: Para evitar vibraciones durante el funcionamiento, dirija la línea de suministro de agua de modo que no toque la base, el marco o el motor de la lavavajillas.

6. Agregue el codo de 90° a la línea de suministro de agua.

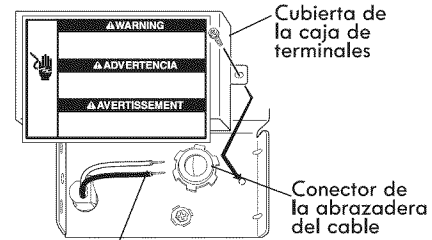


Una el conector a compresión de 3/8" a la línea de suministro de agua antes de instalar la unidad en la abertura del armario. Fíjelo de manera que la conexión de 3/4" mire hacia arriba.

Tubería de cobre solamente: Coloque la tubería en el codo de 90° hasta donde sea posible (la tubería de cobre se dobla y se retuerce con facilidad). Deslice la tuerca y la férula hacia delante y comience a enroscar la tuerca en la rosca del codo. Conexión roscada flexible: Asegure la tuerca al codo con una llave de extremo abierto de 5/8" o una llave ajustable.

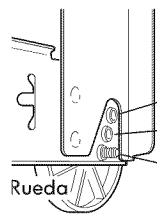
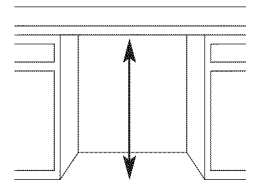
NOTA: No use cinta Teflon® con los conectores a compresión.

7. Quite la cubierta de la caja de terminales.
- Si está cableando directamente: Instale un conector de abrazadera que esté en la lista de El Listó/CSA de UL Aprobó en la caja de terminales. Si va a usar un conducto, utilice un protector de cables que esté en la lista de UL/aprobado por CSA.
 - Si está instalando un juego de cable de suministro de energía, hágalo ahora, siguiendo las instrucciones del juego. El juego del cable de suministro de energía deberá estar en la lista de UL y marcado para usarse con lavavajillas (esto es, Juego del cable de suministro de energía, pieza N° 4317824).



Cables de la lavavajillas

8. Mida la altura de la abertura del armario desde la parte inferior del mostrador al piso en que se instalará la lavavajillas (necesitará la medida del punto más bajo). Verifique la tabla para esa abertura del armario. Coloque las ruedas en la posición requerida.

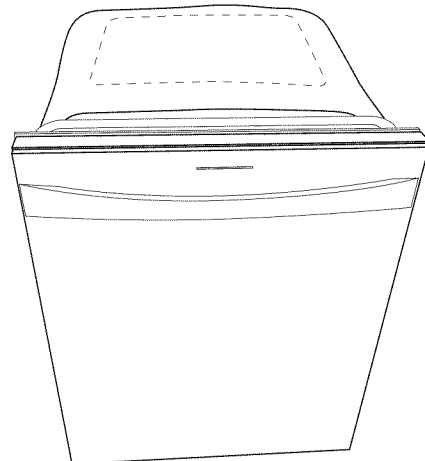
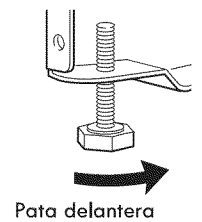


Altura de corte mínima	Posición de las ruedas	Número de vueltas de la pata frontal	Perforación en la manta
33 3/4" (85,7 cm)	quítelas	completamente hacia arriba	quítelas
33 7/8" (86 cm)	quítelas	completamente hacia arriba	consérvelas
34" (86,4 cm)	1	10	consérvelas
34 1/4" (87 cm)	2	5	consérvelas
34 1/2" (87,6 cm)	3	0	consérvelas

9. Gire las dos patas niveladoras frontales a la misma altura.

Si la altura de corte mínima es menos de 34" (86,4 cm), las ruedas traseras pueden quitarse para lograr más espacio. Esto permitirá que la lavavajillas entre en un corte de 33 7/8" (86 cm) de altura, pero será más difícil mover la lavavajillas a su posición. Si se quitan las ruedas, proteja el piso al mover la lavavajillas.

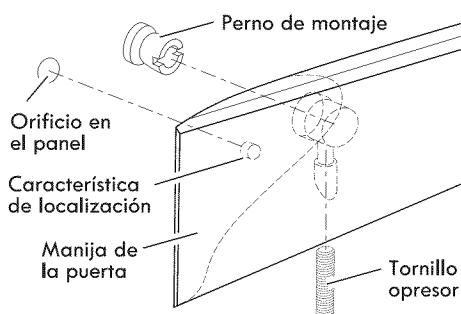
Si la altura mínima de la abertura en el armario es de 33 3/4" (85,7 cm), puede quitarse una sección de la manta aislante cortando a lo largo de la perforación.



Instalación de la manija de la puerta (en algunos modelos Kenmore Elite)

NOTAS:

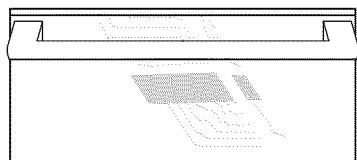
- Para facilitar la instalación, coloque la lavavajillas sobre su parte posterior con la ayuda de dos o más personas.
 - Coloque un paño suave o una toalla contra el panel mientras instala la manija de la puerta para evitar rayar el panel frontal.
 - Los tornillos opresores han sido instalados previamente en la manija.
1. Quite la manija de la puerta y la bolsa de herramientas que contiene la llave hexagonal de la bolsa de burbujas.
 2. Coloque la manija en los pernos de montaje. Los tornillos opresores deberán mirar hacia abajo cuando se hayan instalado correctamente. Si la manija se instala al revés, la instalación apropiada no será posible.
 3. Empuje firmemente la manija contra la puerta.
 4. Inserte el extremo corto de la llave hexagonal en el tornillo opresor y apriete el tornillo opresor $\frac{1}{4}$ de vuelta bien ajustados. El tornillo opresor no estará empotrado en la manija.
 5. Repita el paso 4 para el otro tornillo opresor.
 6. Guarde la llave hexagonal con las instrucciones de instalación.
- NOTA:** El procedimiento de instalación de la manija debería tomar menos de 5 minutos.



Instalación de la manija de la puerta (modelos Kenmore PRO™)

IMPORTANTE: No raye el panel delantero durante este procedimiento.

1. Quite el ensamblaje de la manija de la puerta que se encuentra en la canasta para platos superior de la lavavajillas.
2. Quite el embalaje de la manija y deséchelo. Asegúrese de guardar las instrucciones de instalación de la manija y los herrajes de montaje.
3. Instale la manija de la puerta siguiendo las instrucciones de instalación provistas con el ensamblaje de la manija.



Elija la opción para fijar

⚠ ADVERTENCIA

Peligro de Peso Excesivo

Use dos o más personas para mover e instalar la lavavajillas.

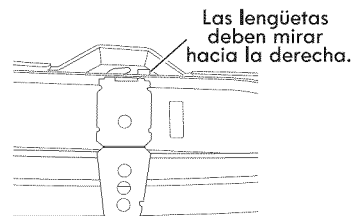
No seguir esta instrucción puede ocasionar una lesión en la espalda u otro tipo de lesiones.

Con la ayuda de dos o más personas, ponga la lavavajillas en posición vertical.

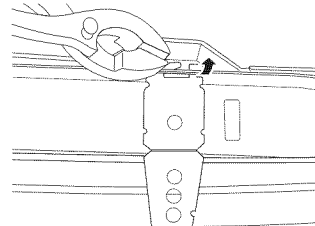
IMPORTANTE: La lavavajillas debe estar sujeta al armario. Hay dos soportes en la bolsa de piezas. Sujete los soportes a la parte superior de la lavavajillas si el mostrador es de madera, laminado u otra superficie similar. Si el mostrador está hecho de mármol, granito u otra superficie dura, instale los soportes utilizando la Opción N° 2.

Opción 1, sujeción al mostrador

1. Quite los soportes del paquete y colóquelos en las ranuras abiertas que están en el lado superior izquierdo y derecho del collar de la lavavajillas, como se muestra.



2. Inserte el soporte en la ranura, sobre el collar. Doble hacia abajo la lengüeta con unas pinzas para asegurar el soporte en su lugar. Repita este paso para el otro lado.

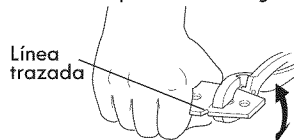


NOTA: No sujete la lavavajillas. Esto se hará más tarde.

Opción 2, lavavajillas con fina de acero inoxidable como accesorio

(para mármol, granito u otros mostradores con una superficie dura)

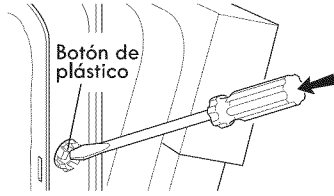
1. Saque los soportes del paquete de piezas.
2. Rompa el extremo del soporte a lo largo de la línea marcada.



3. Abra la puerta de la lavavajillas, con otra persona sosteniendo la lavavajillas para evitar que se voltee, y coloque una toalla sobre el ensamblaje de la bomba y el brazo rociador de la lavavajillas. Esto evitará que los tornillos caigan en la zona de la bomba al asegurar la lavavajillas al armario.

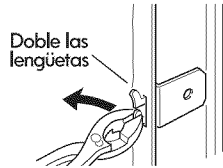
- Empuje los botones de plástico fuera del lado de la tina.

NOTA: Guarde los botones para cubrir los orificios después de que se instale la lavavajillas.



- Empuje el soporte en la ranura al costado de la lavavajillas y doble la lengüeta hacia dentro y hacia el costado de la lavavajillas, para mantener el soporte en su lugar.

NOTA: No sujete la lavavajillas. Esto se hará más tarde.



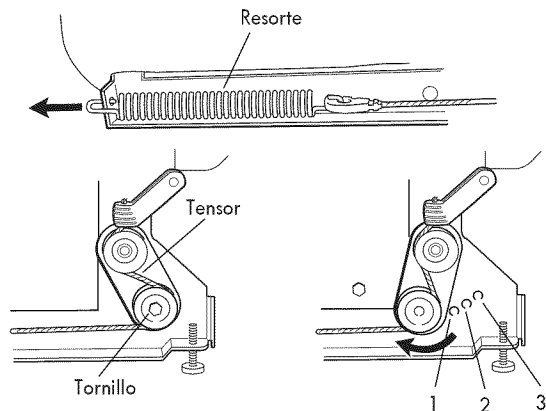
Opción 3, lavavajillas con accesorio lateral de la tina de plástico

(para mármol, granito u otros mostradores con una superficie dura)

- Pida un juego de soporte de montaje, pieza N° 8212560.

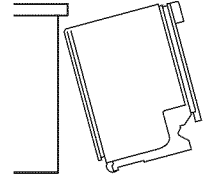
Verifique la tensión del resorte de la puerta

- Mientras otra persona sostiene la lavavajillas para evitar que se incline, abra y cierre la puerta algunas veces. Si la puerta se cierra o cae abierta por su propio peso, significa que la tensión de la puerta necesita ajuste.
- Para ajustar la tensión del resorte de la puerta, desprenda el resorte de la pata posterior de la lavavajillas.
- Con una llave de tuercas o casquillo hexagonal de $\frac{5}{16}$ " , quite el tornillo del tensor.
- El tornillo puede colocarse en 1 de los 3 orificios 1, 2, 3 en la pata frontal de la lavavajillas. Si la puerta se cierra por sí misma, mueva el tensor a un orificio más alto y vuelva a poner el tornillo. Cuando la puerta está destrabada, si se abre por sí misma, mueva el tensor a un orificio de número inferior y vuelva a poner el tornillo.
- Vuelva a poner el resorte de la puerta en la pata trasera. Los tensores de ambos lados de la lavavajillas deben fijarse en los mismos orificios.



Mueva la lavavajillas dentro de la abertura del armario

- Con la ayuda de dos o más personas, ponga la lavavajillas en posición vertical.
- Tome la lavavajillas por los lados, en los bordes del panel de la puerta.
- Incline la lavavajillas hacia atrás sobre las ruedas y muévala cerca de la abertura del armario. No haga presión en el frente del panel ni en la consola, ya que pueden abollarse.
- Si la lavavajillas tiene un cable de suministro de energía, inserte el cable de suministro en el orificio que se hizo en el armario. Si va a usar cableado directo, verifique que esté en el lado frontal derecho de la abertura.
- Verifique que la línea de agua esté en el lado izquierdo de la abertura y que la manguera de desagüe esté cerca del centro del orificio, en el armario.
- Introduzca lentamente la lavavajillas por completo en la abertura del armario. No retuerza ni apriete la tubería de cobre, la manguera de desagüe, el cable de suministro eléctrico ni el cable directo entre la lavavajillas y el armario.



Consejo útil: Una vez que la lavavajillas esté en su posición, tal vez deba tener un soporte para el frente de la misma levantando las patas delanteras, bajándolas o colocando cuñas en las mismas.

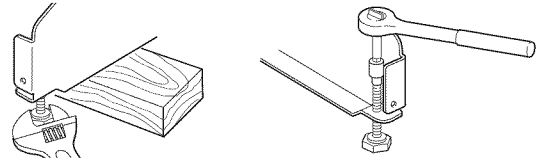
- Quite el cartón que está debajo de la lavavajillas.
- Sujete el aislamiento a los lados de la tina usando las ranuras cortadas previamente en el mismo y los ganchos moldeados en cada lado de la tina.

NOTA: Es correcto que la lavavajillas encaje ajustada en la abertura del armario. No quite la manta aislante, ya que la misma reduce el nivel de sonido.

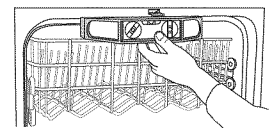
Nivele la lavavajillas

- Alinee el frente del panel de la puerta de la lavavajillas con las puertas del armario. Podría necesitar ajustar el alineamiento para emparejar con sus armarios.

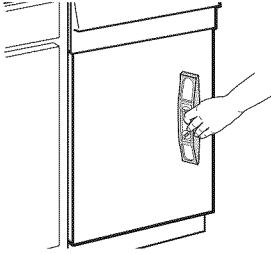
Consejo útil: Eleve uno de los lados del marco para sostener la lavavajillas hasta que deje de tener contacto con el piso al ajustar las patas frontales.



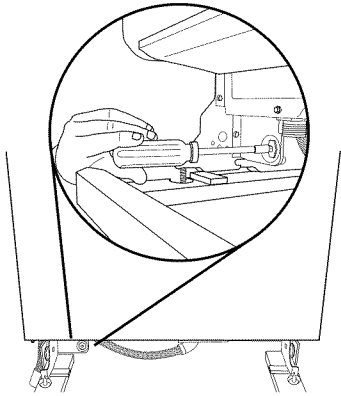
- En algunas instalaciones, puede resultar más fácil ajustar la pata delantera con una llave de cabeza hexagonal de $\frac{3}{16}$ " .
- Verifique que las patas niveladoras estén firmemente colocadas contra el piso.
- Ponga el nivel contra la abertura superior frontal de la tina. Verifique que la lavavajillas esté nivelada respecto de los lados. Si la lavavajillas no está nivelada, ajuste las patas elevándolas o bajándolas hasta que la lavavajillas esté nivelada.



- Cierre y cierre con picaporte la puerta. Coloque el nivel contra la frente del lavavajillas para verificar par ver si es alineado verticalmente.



- Si necesitado, ajusta pierna de nivelar de trasero utilizando un desatornillador de Phillips para ajustar la espalda de la unidad. Gire el trasero más plano situado en la izquierda delantera del compartimento más bajo para levantar a la izquierda la espalda de la unidad.



Conexión eléctrica

Verifique la sección "Requisitos eléctricos".

Necesitará:

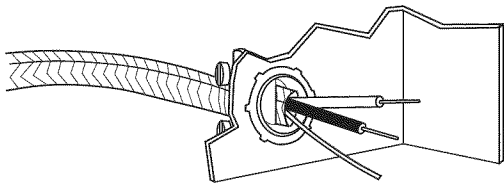
- Tener el suministro de energía correcto y seguir el método recomendado de puesta a tierra.

Si Usted:

- Está haciendo el cableado directo, utilice la Opción 1
- Está utilizando un cable de suministro de energía, utilice la Opción 2

Opción 1, Método de cableado directo

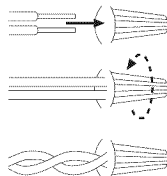
- Pase el cable directo de manera que no toque los motores de la lavavajillas ni la parte inferior de la tina de la lavavajillas.



- Jale el cable directo a través del orificio de la caja de terminales.

Consejo útil:

- Seleccione los conectores giratorios del tamaño apropiado para conectar el cableado de su casa al cableado de la lavavajillas de calibre 16.
- Inserte los extremos del cable en el conector giratorio. No enrosque previamente el cable desnudo.
- Enrosque el conector.



- Jale suavemente los cables para cerciorarse de que ambos estén bien sujetos.
- Conecte los cables como se indica utilizando los conectores de rosca giratorios que permiten conectar directamente al cable de calibre 16 de la lavavajillas:

Cable de suministro de energía:		Cable de la caja de terminales:
blanco	↔	blanco
negro	↔	negro
cable de puesta a tierra	↔	conector de puesta a tierra verde

⚠ ADVERTENCIA



Peligro de Choque Eléctrico

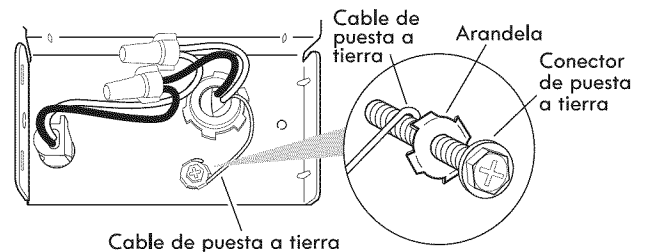
Conecte a tierra la lavavajillas.

Conecte el alambre de conexión a tierra al conector verde de conexión a tierra en la caja de terminales.

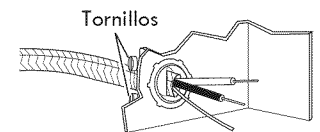
No use un cable eléctrico de extensión.

No seguir estas instrucciones puede ocasionar la muerte, incendio o choque eléctrico.

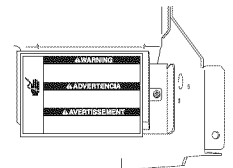
- Dé al cable desnudo una forma de gancho en U. Envuelva el gancho de cable en sentido de las manecillas del reloj alrededor del conector de puesta a tierra y bajo la arandela.
- Apriete firmemente el conector de puesta a tierra.



- Apriete el conector de la abrazadera o los tornillos del conector del conducto.



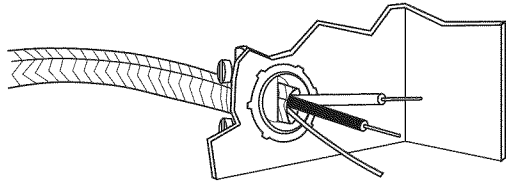
- Reinstale la tapa de la caja de terminales con los cables dentro de la caja de terminales. La tapa debe quedar fuera de la caja, del lado izquierdo.



- Asegúrese de que la tapa no presione ningún cable.

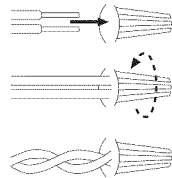
Option 2, Cable de suministro de energía

1. Pase el cable de suministro de energía de manera que no toque los motores de la lavavajillas ni la parte inferior de la tina de la lavavajillas.
2. Jale el cable de suministro de energía del orificio de la caja de terminales.



Consejo útil:

- Seleccione los conectores giratorios del tamaño apropiado para conectar el cableado de su casa al cableado de la lavavajillas de calibre 16.
 - Inserte los extremos de los cables en el conector de rosca que esté en la lista de UL/aprobado por CSA. No enrosque previamente el cable desnudo.
 - Enrosque el conector.
 - Jale suavemente los cables para cerciorarse de que ambos estén bien sujetos.
3. Conecte los cables como se indica utilizando los conectores giratorios que permiten conectar directamente al cable de calibre 16 de la lavavajillas.



Cable de suministro de energía:	Cable de la caja de terminales:
blanco ↔	blanco
negro ↔	negro
cable de puesta a tierra	conector de puesta a tierra verde

⚠ ADVERTENCIA



Peligro de Choque Eléctrico

Conecte a tierra la lavavajillas.

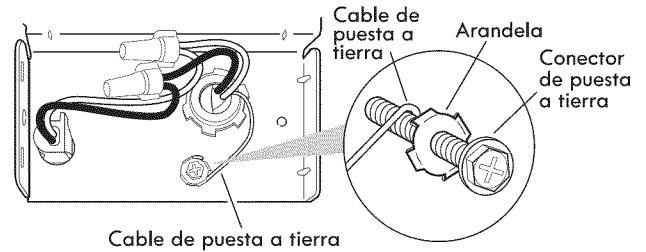
Conecte el alambre de conexión a tierra al conector verde de conexión a tierra en la caja de terminales.

No use un cable eléctrico de extensión.

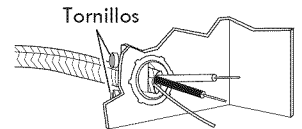
No seguir estas instrucciones puede ocasionar la muerte, incendio o choque eléctrico.

4. Dé al cable desnudo una forma de gancho en U. Envuelva el gancho de cable en sentido de las manecillas del reloj alrededor del conector de puesta a tierra y bajo la arandela.

5. Apriete firmemente el conector de puesta a tierra.

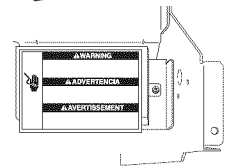


6. Apriete el conector de la abrazadera o los tornillos del conector del conducto.



7. Reinstale la tapa de la caja de terminales con los cables dentro de la caja de terminales.

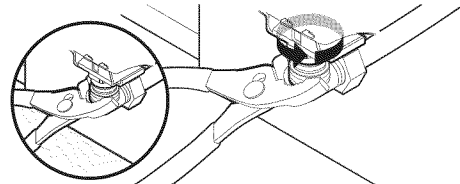
La tapa debe quedar fuera de la caja, del lado izquierdo.



8. Asegúrese de que la tapa no presione ningún cable.
9. No enchufe el cable de la lavavajillas en el contacto hasta que se le indique hacerlo.
10. Verifique que el cable de suministro de energía no toque el motor de la lavavajillas ni la parte inferior de la tina de la lavavajillas.

Conexión al suministro de agua

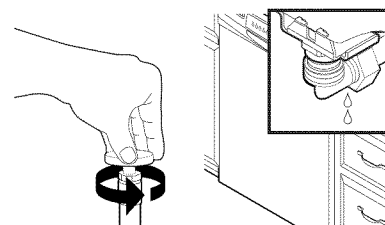
1. Apriete el codo de 90° en la válvula.



Cerchiórese de que la arandela de goma esté encajada debidamente en el conector. Deslice el accesorio de 3/4" hacia arriba hasta la válvula y apriételo a mano para evitar dañar la rosca accidentalmente. Apriete a mano hasta que el acoplamiento quede ajustado. Usando pinzas, verifique que el acoplamiento esté apretado. Tal vez sea necesario un giro adicional de 1/4 a 1/2 para sellar la junta de goma.

NOTA: No apriete demasiado. Se puede dañar el acoplamiento.

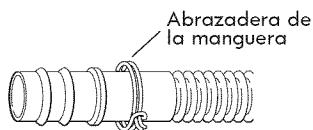
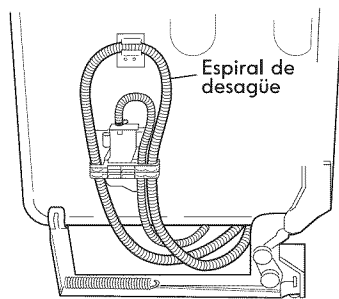
2. Revise si hay fugas.



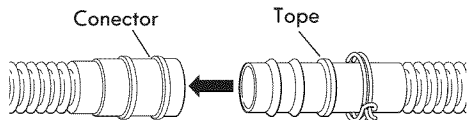
Coloque una toalla de papel debajo del codo de 90°. Abra la llave de suministro de agua y revise si hay fugas. Si hay fugas, repita el paso anterior.

Conexión al desagüe

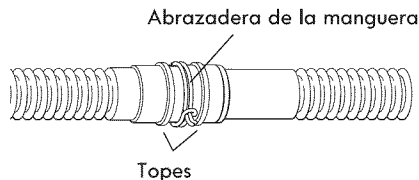
1. Para ayudar a reducir la vibración, pase la manguera de desagüe de manera que evite el contacto con el motor, los resortes de la puerta, la tubería de agua, el armario, el piso o el borde del orificio por el que pasa a través el armario.
2. No quite la espiral de desagüe del lado de la lavavajillas.
3. Coloque la bandeja bajo el extremo de la manguera de desagüe. El agua que pudiera salir de la manguera de desagüe se acumulará en la bandeja.
4. Coloque la abrazadera más pequeña de la manguera de desagüe en el extremo pequeño de la manguera de desagüe.



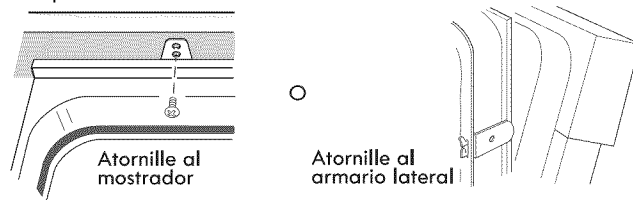
5. Empuje la manguera de desagüe contra el conector hasta el tope de la manguera de desagüe.



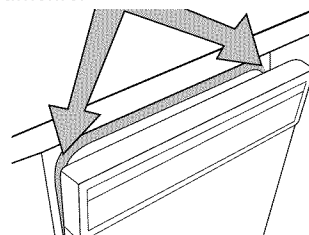
6. Utilice unas pinzas para abrir la abrazadera y deslice la abrazadera sobre el conector, entre los topes, como se ilustra.



2. Verifique que la lavavajillas todavía esté nivelada y centrada de lado a lado en la abertura.
3. Asegure la lavavajillas contra el mostrador o los laterales del armario con dos tornillos Phillips N° 10 x 1/2". La lavavajillas debe quedar sujeta para evitar que se vuelque cuando se abra la puerta.



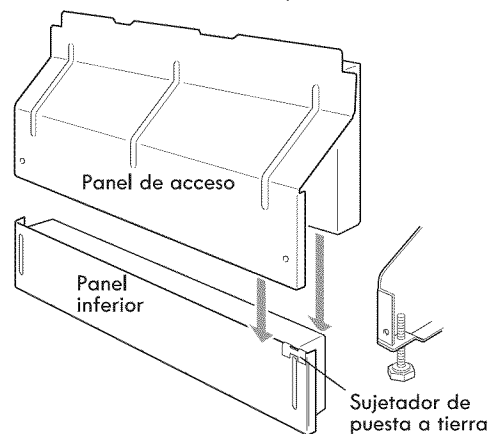
4. Abra la puerta unas 3" (7,6 cm) y verifique que el espacio entre la puerta interna y la tina sea igual en ambos lados. Si el espaciado no es igual, afloje los tornillos del soporte y cambie la posición de la tina. Apriete los tornillos del soporte.
5. Si opta por una sujeción al mostrador para asegurar la lavavajillas, verifique que la parte superior de la puerta no tenga contacto con los tornillos, los soportes o con el mostrador. De lo contrario, se debe bajar la lavavajillas y nivelarla nuevamente.



6. Si opta por una sujeción lateral, verifique que los costados de la puerta no rocen la cabeza de los tornillos. Si es así, se deberá volver a centrar la lavavajillas.
7. Quite la toalla de la lavavajillas.
8. Reinstale la canasta inferior.

Complete la instalación

1. Verifique que el sujetador de puesta a tierra esté conectado al panel inferior.
2. Coloque el panel inferior detrás del panel de acceso. Algunos modelos tienen aislamiento en el panel de acceso que debe caer detrás del aislamiento en el panel inferior.



3. Mantenga los dos paneles juntos y colóquelos contra la pata de la lavavajillas.

Asegure la lavavajillas en la abertura del armario

⚠ ADVERTENCIA



Peligro de Vuelco

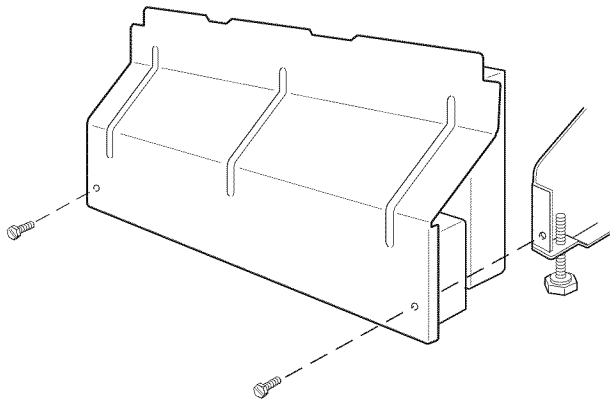
No use la lavavajillas antes de estar completamente instalada.

No se apoye en la puerta abierta.

No seguir estas instrucciones puede ocasionar heridas serias o cortaduras.

1. Si aún no lo ha hecho, abra la puerta de la lavavajillas y coloque una toalla sobre el ensamblaje de la bomba y el brazo rociador de la lavavajillas. Esto evitará que los tornillos se caigan en el área de la bomba si se le caen accidentalmente al asegurar la lavavajillas al mostrador.

- Vuelva a insertar los tornillos a través de los orificios en el panel de acceso y las ranuras en el panel inferior. Inserte primero el tornillo del lado derecho.



- Verifique si el borde inferior del panel inferior toca el piso.
- Apriete los tornillos.

Método de conexión con cable directo:

⚠ ADVERTENCIA

Peligro de Choque Eléctrico

Conecte a tierra la lavavajillas.

Conecte el alambre de conexión a tierra al conector verde de conexión a tierra en la caja de terminales.

No use un cable eléctrico de extensión.

No seguir estas instrucciones puede ocasionar la muerte, incendio o choque eléctrico.

Método de conexión con cable de suministro de energía:

⚠ ADVERTENCIA

Peligro de Choque Eléctrico

Conecte a un contacto de pared de conexión a tierra de 3 terminales.

No quite la terminal de conexión a tierra.

No use un adaptador.

No use un cable eléctrico de extensión.

No seguir estas instrucciones puede ocasionar la muerte, incendio o choque eléctrico.

- Reconecte el suministro de energía o enchufe la lavavajillas.

Verifique el funcionamiento

- Lea el Manual de uso y cuidado que vino con su lavavajillas.
- Verifique que todas las partes hayan sido instaladas y que no se se haya omitido ningún paso.
- Verifique si tiene todas las herramientas que utilizó.
- Ponga en marcha la lavavajillas y deje que complete el ciclo de lavado más breve. Después de que hayan transcurrido dos minutos, quite el seguro de la puerta, espere cinco segundos y abra la puerta.
- Verifique si hay agua en la parte inferior de la tina de la lavavajillas. Verifique que la lavavajillas esté funcionando adecuadamente.
- Si no es así, desconecte el suministro de energía o desenchufe la lavavajillas y vea la sección "Si la lavavajillas no funciona".

Si la lavavajillas no funciona

Pruebe primero las soluciones sugeridas aquí para evitar el posible costo de una llamada de servicio.

- ¿Se ha disparado el disyuntor o quemado un fusible de la casa?
- ¿Está bien cerrada y asegurada la puerta?
- ¿Se ha fijado correctamente el ciclo para poner en marcha la lavavajillas?
- ¿Está abierto el suministro del agua?

Si nada de esto funciona, llame al 1-800-4-MY-HOME.

TABLE DES MATIÈRES

SÉCURITÉ DU LAVE-VAISSELLE.....	32	INSTRUCTIONS D'INSTALLATION	36
EXIGENCES D'INSTALLATION	33	Préparation des ouvertures dans les placards – utilisation des modes de raccordement existants pour canalisations et câblage.....	36
Outillage et pièces.....	33	Préparation de l'emplacement d'installation entre les placards lorsque les canalisations et câbles n'ont pas été installés.....	37
Emplacement d'installation.....	33	Préparation du lave-vaisselle	39
Spécifications de la canalisation d'évacuation	35	Raccordement électrique.....	43
Spécifications de l'alimentation en eau	35	Raccordement à la canalisation d'eau.....	45
Spécifications électriques.....	35	Raccordement à la canalisation d'évacuation.....	45
		Immobilisation du lave-vaisselle dans l'espace d'installation	45

SÉCURITÉ DU LAVE-VAISSELLE

Votre sécurité et celle des autres est très importante.

Nous donnons de nombreux messages de sécurité importants dans ce manuel et sur votre appareil ménager. Assurez-vous de toujours lire tous les messages de sécurité et de vous y conformer.



Voici le symbole d'alerte de sécurité.

Ce symbole d'alerte de sécurité vous signale les dangers potentiels de décès et de blessures graves à vous et à d'autres.

Tous les messages de sécurité suivront le symbole d'alerte de sécurité et le mot "DANGER" ou "AVERTISSEMENT". Ces mots signifient :

⚠ DANGER

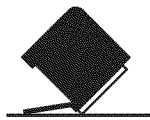
Risque possible de décès ou de blessure grave si vous ne suivez pas immédiatement les instructions.

⚠ AVERTISSEMENT

Risque possible de décès ou de blessure grave si vous ne suivez pas les instructions.

Tous les messages de sécurité vous diront quel est le danger potentiel et vous disent comment réduire le risque de blessure et ce qui peut se produire en cas de non-respect des instructions.

⚠ AVERTISSEMENT



Risque de basculement

Ne pas utiliser le lave-vaisselle jusqu'à ce qu'il soit complètement installé.

Ne pas appuyer sur la porte ouverte.

Le non-respect de ces instructions peut causer des blessures graves ou des coupures.

Tenir compte de ceci :

- Ouvrir lentement la porte du lave-vaisselle tandis qu'une autre personne saisit l'arrière de l'appareil. Retirer les matériaux d'emballage, le tuyau de décharge et le panier inférieur. Fermer la porte du lave-vaisselle et verrouiller le loquet.
- Respecter les dispositions de tous les codes et règlements en vigueur.
- Installer le lave-vaisselle conformément aux prescriptions des présentes instructions.
- L'installation devrait être exécutée par un technicien qualifié. Veiller à respecter les dispositions de tous les codes et règlements locaux et nationaux régissant les installations de plomberie et d'électricité.

EXIGENCES D'INSTALLATION

Outillage et pièces

Rassembler tous les outils et pièces nécessaires avant de commencer l'installation.

Pour toutes les configurations d'installation

Outillage nécessaire :

- Pince
- Tournevis Phillips
- Tourne-écrou ou clé à douille – douilles hexagonales $\frac{5}{16}$ " ou $\frac{1}{4}$ "
- Mètre-ruban ou règle
- Clé à molette de 10" (ouverture jusqu'à $1\frac{1}{8}$ " [2,9 cm])
- Tournevis à lame plate
- Couteau utilitaire
- 2 connecteurs de fils de taille appropriée pour le raccordement des conducteurs du lave-vaisselle (calibre 16 au câblage de la maison

- Petit niveau
- Lampe torche
- Plat peu profond
- Clé plate $\frac{5}{8}$ "
- Serviette de bain
- Cale de bois

Pièces nécessaires :

- Raccord de compression de $\frac{3}{8}$ " x $\frac{3}{4}$ " pour tuyau. Contacter votre magasin local Sears pour acheter l'ensemble n° 11000.

Outillage et pièces supplémentaires pour l'installation dans un local neuf

Outillage nécessaire :

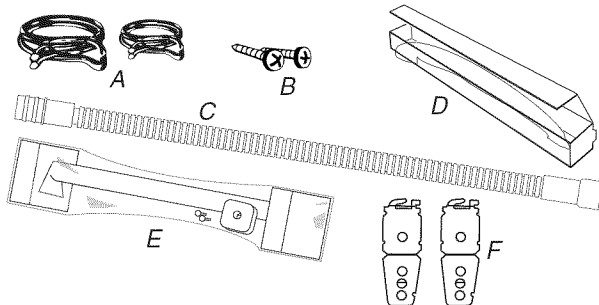
- Perceuse sans fil avec scies à trous de $\frac{1}{2}$ ", $\frac{3}{4}$ " et $1\frac{1}{2}$ "
- Petit coupe-tube
- Pince à dénuder
- Bride de tuyau à vis $1\frac{1}{2}$ " à 2" pour raccordement sur un raccord T

Pièces nécessaires :

- Tube de cuivre ($\frac{3}{8}$ " recommandé) ou conduit de raccordement flexible avec tresse d'acier inoxydable
- Serre-câble ou connecteur de conduit utilisable sur un trou de diamètre $\frac{7}{8}$ " (2,2 cm)

Pièces fournies

- 2 brides pour tuyau de décharge - 1 grosse, 1 petite
- 2 vis Phillips n° 10 x $\frac{1}{2}$ "
- Tuyau de décharge
- Pour certains modèles Kenmore Elite, boîte de carton contenant poignée, clé hexagonale et 3 vis de calage.
- Sur les modèles Kenmore PRO™, l'ensemble comprend une poignée, 2 vis de montage de $\frac{5}{8}$ ", 2 plaquettes arrière et une fiche technique d'installation de la poignée.
- 2 – brides de montage sous le plan de travail (supérieur)



Vérifier la présence de toutes ces pièces. Si l'une des pièces mentionnées n'est pas présente, téléphoner au 1-800-4-MY-HOME. Voir la liste séparée des pièces et accessoires disponibles pour le lave-vaisselle.

Emplacement d'installation

Ne pas placer canalisation d'évacuation, canalisation d'eau ou câblage électrique à un endroit où cela susciterait interférence ou contact avec les pieds ou le moteur du lave-vaisselle.

À l'emplacement d'installation du lave-vaisselle, on doit pouvoir établir le dégagement approprié entre le moteur et le plancher. Le moteur ne doit pas toucher le plancher.

Ne pas installer le lave-vaisselle par-dessus un tapis.

Protéger du gel le lave-vaisselle et les canalisations d'eau qui l'alimentent; la garantie de l'appareil ne couvre pas les dommages imputables au gel.

Un ensemble "panneau latéral" est disponible chez les revendeurs pour l'installation du lave-vaisselle à l'extrémité d'une rangée de placards.

Un accessoire pare-vapeur (pièce n° 4396277) est disponible chez les revendeurs pour l'installation de l'appareil sous le plan de travail. On peut également commander ce produit par téléphone au 1-800-4-MY-HOME.

Inspecter l'emplacement d'installation du lave-vaisselle; il doit comporter les caractéristiques suivantes :

- facilité d'accès aux canalisations d'eau et d'égout et à la source d'électricité.
- accès facile pour chargement et déchargement de la vaisselle. Dans le cas de l'installation dans un angle, on doit pouvoir établir un dégagement de 2" (5,1 cm) ou plus entre le côté de la porte du lave-vaisselle et le mur ou le placard.
- ouverture carrée offrant l'esthétique appropriée et permettant un fonctionnement correct.
- façade des placards perpendiculaire au plancher.
- plancher horizontal et plat (s'il y a un écart de niveau entre l'avant et l'arrière sur le plancher de l'emplacement d'installation, il pourrait être nécessaire d'utiliser des cales pour établir l'aplomb de l'appareil).

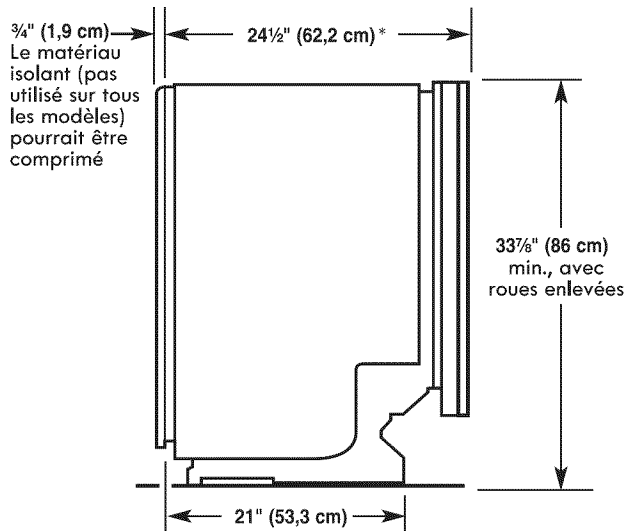
REMARQUE : Pour éviter tout déplacement des cales durant le fonctionnement de l'appareil, il est nécessaire de fixer solidement les cales au plancher.

Si le lave-vaisselle ne doit pas être utilisé pendant une période prolongée ou s'il est laissé à un endroit qui pourrait être exposé au gel, veiller à faire exécuter les opérations de pré-hivernage par un technicien de réparation agréé.

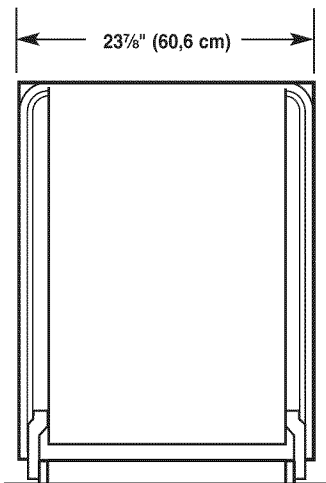
Veiller à ce que les canalisations d'eau et d'évacuation et les câbles électriques soient dans la zone marquée en gris dans la section "Dimensions de l'emplacement d'installation".

Conseil utile : Si le plancher de l'espace d'installation n'est pas parfaitement horizontal et plat (exemple : garnissage de carrelage sur une partie seulement), on devra accorder une attention particulière aux détails lors du relevé des dimensions et lors du réglage de l'aplomb du lave-vaisselle.

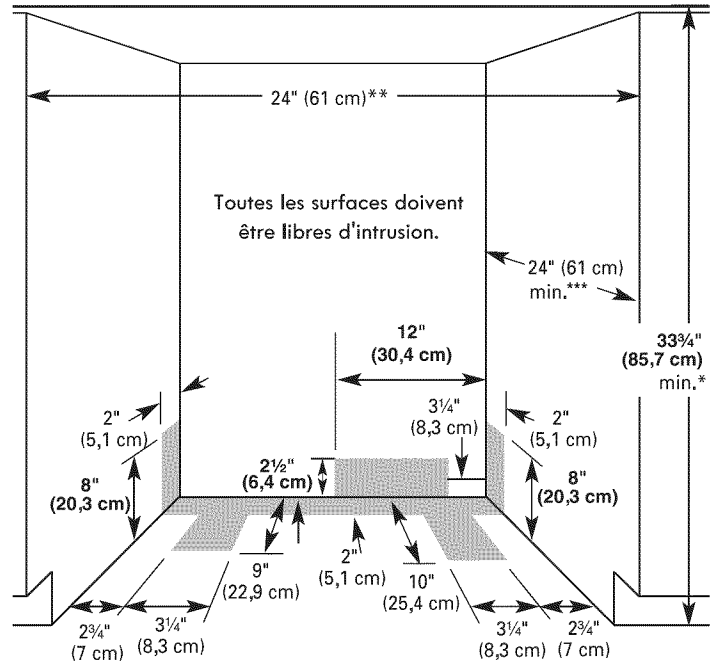
Dimensions du produit



VUE LATÉRALE



Dimensions de l'espace d'installation



Découper les trous dans la zone marquée en gris du plancher ou des parois des placards, selon les spécifications ci-dessous :

- Canalisation d'eau – 1/2" (1,3 cm)
- Canalisation d'évacuation – 1 1/2" (3,8 cm)
- Câble pour câblage direct – 3/4" (1,9 cm)
- Cordon d'alimentation – 1 1/2" (3,8 cm)

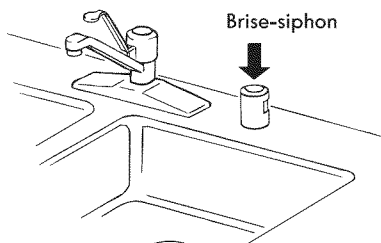
*Mesure depuis le point le plus bas de la face inférieure du plan de travail. Cette dimension peut être réduite à 33 3/4" (86 cm) en retirant les roulettes et la zone perforée du garnissage d'insonorisation/d'isolation du lave-vaisselle. Voir la section "Préparation du lave-vaisselle" pour plus de détails.

**Dimension minimale mesurée au point le plus étroit de l'ouverture.

***Dimension minimale mesurée au point le moins profond de l'ouverture.

Spécifications de la canalisation d'évacuation

- Utiliser le tuyau d'évacuation neuf fourni avec le lave-vaisselle. Si ce tuyau n'est pas suffisamment long, utiliser un tuyau d'évacuation neuf de longueur maximale 12 pi (3,7 m) qui satisfait les critères de la norme AHAM/IAPMO en vigueur, résistant à la chaleur et aux détergents, et qui pourra être connecté sur le raccord de sortie de 1" (2,5 cm) du lave-vaisselle.
- Connecter le conduit d'évacuation à la canalisation d'égout par l'intermédiaire d'un raccord T ou du raccord d'un broyeur à déchets situé plus haut que le siphon du circuit de plomberie de la maison, et à au moins 20" (50,8 cm) au-dessus du sol. On recommande de lover le tuyau d'évacuation et de le fixer solidement sur la face inférieure du plan de travail, ou de le raccorder à un dispositif brise-siphon.



- Utiliser un dispositif brise-siphon si le tuyau d'évacuation est connecté à la canalisation d'égout de la maison à moins de 20" (50,8 cm) au-dessus du sous-plancher ou du plancher.
- Utiliser des raccords de diamètre intérieur de 1/2" ou plus pour la canalisation d'évacuation.

Spécifications de l'alimentation en eau

- Canalisation d'eau chaude, sous pression de 20 à 120 lb/po² (138 à 862 kPa).
- Température de 120F (49°C) à l'entrée du lave-vaisselle.
- Canalisation de cuivre de diamètre externe 3/8" avec raccord à compression, ou conduit de remplissage flexible à tresse d'acier inoxydable (l'emploi d'un tube de plastique de 1/2" minimum est déconseillé).
- Raccord de compression de 3/8" x 3/4" pour tuyau

Ne pas exécuter de raccordement par soudure à moins de 6" (15,2 cm) de l'électrovanne d'admission d'eau.

Spécifications électriques

Contactez un électricien qualifié.

Vérifier que l'installation électrique est adéquate et qu'elle satisfait les exigences de tous les codes et règlements locaux et nationaux en vigueur.

Caractéristiques exigées :

- Alimentation électrique de 120 volts CA uniquement, 60 Hz; protection par fusible 15 ou 20 A.
- conducteurs de cuivre seulement

On recommande :

- un fusible temporisé ou disjoncteur.
- une alimentation par un circuit indépendant.

Pour le raccordement direct du lave-vaisselle :

- Utiliser un câble flexible blindé ou à gaine non métallique, des conducteurs de cuivre avec mise à la terre, répondant aux critères de raccordement électrique de votre domicile et à ceux des codes et règlements locaux.
- Arrimer le câble avec le dispositif fourni sur la boîte de connexion de la maison, ou installer un raccord à collets (homologation UL ou CSA) sur la boîte de connexion de la maison. Dans le cas de l'emploi d'un conduit, utiliser un serre-câble (homologation UL ou CSA).

Alimentation de l'appareil par un cordon d'alimentation :

- Utiliser le cordon d'alimentation (pièce n° 4317824) identifié pour l'utilisation avec un lave-vaisselle. L'ensemble comprend :
 - cordon d'alimentation Volex Inc., avec 3 conducteurs de calibre 16 (homologation UL) et fiche de branchement à 3 broches pour liaison à la terre.
 - serre-câble 7/8" Neer C-500.
 - 3 connecteurs de fils.
 - bague de protection - pièce n° 302797.Pour l'installation du cordon d'alimentation, procéder conformément aux instructions fournies avec l'ensemble.
- La fiche du cordon d'alimentation devra être branchée sur une prise de courant à 3 alvéoles de configuration correspondante, reliée à la terre, installée dans le placard à côté de l'emplacement d'installation du lave-vaisselle. La prise de courant doit satisfaire les exigences de tous les codes et règlements locaux.

INSTRUCTIONS D'INSTALLATION

⚠ AVERTISSEMENT



Risque de choc électrique

Interrompre l'alimentation électrique avant d'installer le lave-vaisselle (au niveau du tableau de distribution - fusible ou disjoncteur).

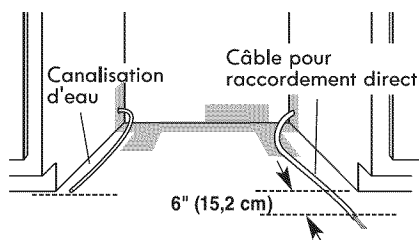
Le non-respect de cette instruction peut causer un décès ou un choc électrique.

1. Déconnecter la source de courant électrique.
2. Fermer l'arrivée d'eau.

Préparation des ouvertures dans les placards – utilisation des modes de raccordement existants pour canalisations et câblage

- Procéder conformément aux étapes de cette section pour l'installation de l'appareil à un emplacement déjà doté de moyens de raccordement.

- Pour l'installation de l'appareil à un emplacement où les canalisations et le câblage n'ont pas déjà été installés, procéder conformément aux instructions



présentées à la section "Préparation de l'emplacement d'installation entre les placards lorsque les canalisations et câbles n'ont pas été installés".

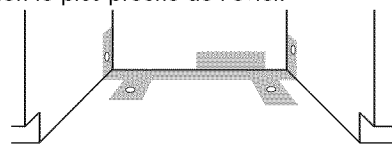
1. Vérifier que la canalisation d'eau atteint le côté avant gauche de l'espace d'installation (endroit où le raccordement à l'appareil sera effectué).
2. Vérifier que le câble de raccordement électrique direct atteint l'angle avant droit de l'espace d'installation (endroit où le raccordement à l'appareil sera effectué).

Si la canalisation d'eau et le câble de raccordement électrique direct s'avancent suffisamment dans l'ouverture, passer à la section suivante "Installation du tuyau d'évacuation". Si la canalisation d'eau et le câble électrique ne sont pas suffisamment longs, suivre les étapes de la section "Préparation de l'emplacement d'installation entre les placards lorsque les canalisations et câbles n'ont pas été installés".

Installation du tuyau d'évacuation

IMPORTANT : On doit toujours utiliser un tuyau d'évacuation neuf, même pour l'installation d'un lave-vaisselle de remplacement.

1. Percer un trou de diamètre 1½" (3,8 cm) dans la paroi du placard ou dans le plancher sur le côté de l'espace d'installation le plus proche de l'évier.



2. Employer l'une des méthodes suivantes pour raccorder le tuyau d'évacuation sur un raccord T ou sur un broyeur à déchets.
 - Option 1 - broyeur à déchets – avec brise-siphon
 - Option 2 - pas de broyeur à déchets – avec brise-siphon
 - Option 3 - broyeur à déchets – sans brise-siphon*
 - Option 4 - pas de broyeur à déchets – sans brise-siphon*

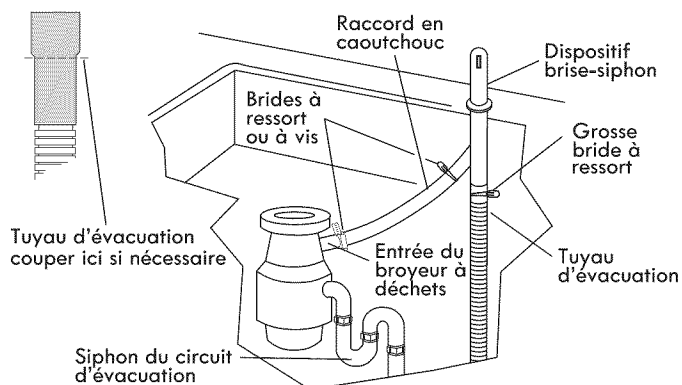
*On recommande qu'un brise-siphon soit disponible

Conseil utile : Pour réduire les effets de vibration du tuyau durant le fonctionnement, maintenir une séparation entre le tuyau et le plancher et entre le tuyau et la circonférence du trou de passage à travers le placard.

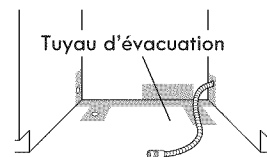
Option 1 - broyeur à déchets – avec brise-siphon :

1. Ôter l'opercule arrachable sur le broyeur à déchets. Si nécessaire, couper l'extrémité du tuyau d'évacuation (ne pas couper dans la section ondulée).
2. Connecter le tuyau d'évacuation sur le dispositif brise-siphon avec la grosse bride à ressort. Si le tuyau d'évacuation a été coupé, utiliser une bride à vis* de 1½ à 2" (3,8 à 5 cm).
3. Utiliser un raccord en caoutchouc* avec une bride à ressort ou à vis* pour raccorder le dispositif brise-siphon à l'entrée du broyeur à déchets.

Ce raccordement doit être réalisé en amont du siphon du circuit d'évacuation et à au moins 20" (50,8 cm) au-dessus du plancher de l'espace d'installation du lave-vaisselle.



4. Insérer le tuyau d'évacuation à travers le trou découpé dans le placard et acheminer le tuyau jusqu'à l'avant-centre de l'ouverture, au point de raccordement du tuyau d'évacuation.

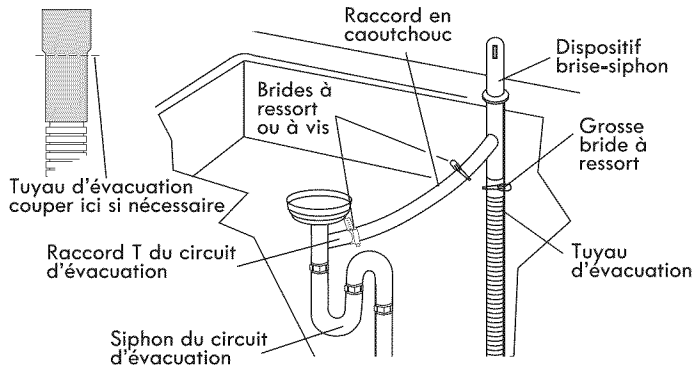


*Pièces disponibles dans un magasin local de fournitures de plomberie

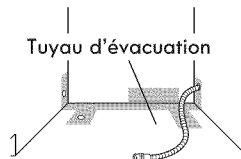
Option 2 - pas de broyeur à déchets – avec brise-siphon :

1. Si nécessaire, couper l'extrémité du tuyau d'évacuation (ne pas couper dans la section ondulée).
2. Connecter le tuyau d'évacuation sur le dispositif brise-siphon avec la grosse bride à ressort. Si le tuyau d'évacuation a été coupé, utiliser une bride à vis* de 1½ à 2" (3,8 à 5 cm).
3. Utiliser un raccord de caoutchouc* avec bride à ressort ou à vis* pour le raccordement entre le dispositif brise-siphon et le raccord T du circuit d'évacuation.

Ce raccordement doit être réalisé en amont du siphon du circuit d'évacuation et à au moins 20" (50,8 cm) au-dessus du plancher de l'espace d'installation du lave-vaisselle.



4. Insérer le tuyau d'évacuation à travers le trou découpé dans le placard et acheminer le tuyau jusqu'à l'avant-centre de l'ouverture, au point de raccordement du tuyau d'évacuation.

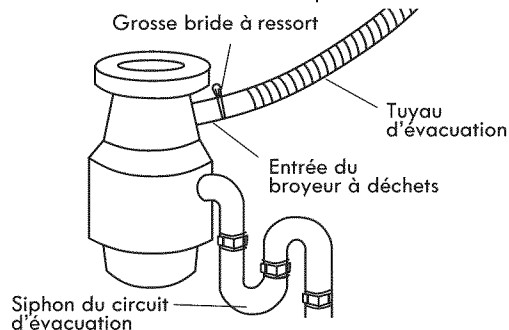


*Pièces disponibles dans un magasin local de fournitures de plomberie

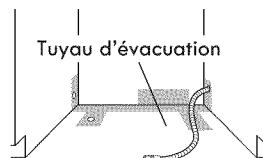
Option 3 - broyeur à déchets – sans brise-siphon :

1. Ôter l'opercule arrachable du broyeur à déchets. Ne pas couper l'extrémité du tuyau d'évacuation.
2. Connecter le tuyau d'évacuation sur le broyeur à déchets avec la grosse bride à ressort.

Ce raccordement doit être réalisé en amont du siphon du circuit d'évacuation et à au moins 20" (50,8 cm) au-dessus du plancher de l'espace d'installation du lave-vaisselle. On recommande de lover le tuyau d'évacuation et de le fixer solidement sur la face inférieure du plan de travail.

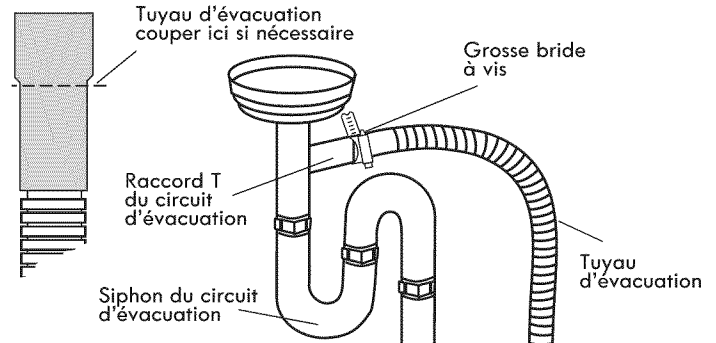


3. Insérer le tuyau d'évacuation à travers le trou découpé dans le placard et acheminer le tuyau jusqu'à l'avant-centre de l'ouverture, au point de raccordement du tuyau d'évacuation.

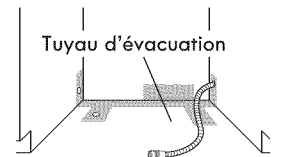


Option 4 - pas de broyeur à déchets – sans brise-siphon :

1. Si nécessaire, couper l'extrémité du tuyau d'évacuation (ne pas couper dans la section ondulée).
2. Connecter le tuyau d'évacuation sur le raccord T du circuit d'évacuation avec une bride à vis de 1½ à 2" (3,8 à 5 cm)*. Ce raccordement doit être réalisé en amont du siphon du circuit d'évacuation et à au moins 20" (50,8 cm) au-dessus du plancher de l'espace d'installation du lave-vaisselle. On recommande de lover le tuyau d'évacuation et de le fixer solidement sur la face inférieure du plan de travail.



3. Insérer le tuyau d'évacuation à travers le trou découpé dans le placard et acheminer le tuyau jusqu'à l'avant-centre de l'ouverture, au point de raccordement du tuyau d'évacuation.



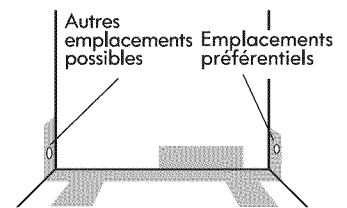
*Pièces disponibles dans un magasin local de fournitures de plomberie

Préparation de l'emplacement d'installation entre les placards lorsque les canalisations et câbles n'ont pas été installés

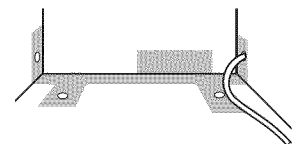
Raccordement électrique

Option 1 - raccordement direct :

Conseil utile : Le raccordement au lave-vaisselle sera plus facile si on achemine le câble par le côté droit de l'espace d'installation.



1. Percer un trou de ¾" (1,9 cm) dans la paroi du placard, le mur arrière ou le plancher, sur le côté droit de l'espace d'installation. Les emplacements préférés ainsi que les autres emplacements possibles sont identifiés sur l'illustration.
2. Placard en bois : poncer la rive du trou percé pour produire une surface lisse.
Placard métallique : garnir la circonférence du trou percé avec une bague de protection (pièce n° 302797 - non fournie).
3. Acheminer le câble jusqu'à la boîte de connexion (tableau de distribution de la maison).
4. Pour un câble flexible, installer un serre-câble (homologation UL ou CSA). Dans le cas d'un conduit, installer un serre-câble sur la boîte de connexion (homologation UL ou CSA).

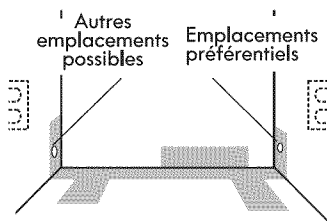


- Faire passer l'autre extrémité du câble à travers le trou percé dans le placard. L'extrémité du câble doit pouvoir parvenir jusqu'à l'angle avant droit de l'espace d'installation.

Option 2 - raccordement par cordon d'alimentation :

REMARQUE : Une prise de courant murale à 3 alvéoles de configuration correspondante, reliée à la terre, doit être installée dans le placard, à côté de l'emplacement d'installation du lave-vaisselle.

- Percer un trou de 1½" (3,8 cm) dans la paroi arrière ou latérale du placard. Les emplacements préférés ainsi que les autres emplacements possibles sont identifiés sur l'illustration.

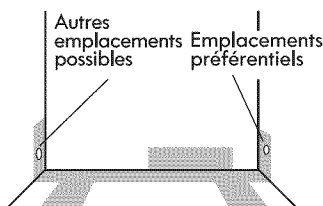


- Placard de bois : poncer la rive du trou percé pour produire une surface lisse.
Placard métallique : garnir la circonférence du trou percé avec la bague de protection (pièce n° 302797) fournie avec l'ensemble du cordon d'alimentation.

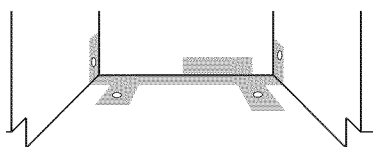
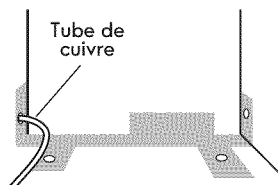
Installation de la canalisation d'eau

Conseil utile : Le raccordement au lave-vaisselle sera plus facile si on achemine la canalisation d'eau par le côté gauche de l'espace d'installation.

- Percer un trou de diamètre ½" (1,3 cm) ou plus dans la paroi du placard, le mur arrière ou le plancher. Les emplacements préférés ainsi que les autres emplacements possibles sont identifiés sur l'illustration.



- Mesurer la longueur totale de tube de cuivre nécessaire.
- Connecter le tube de cuivre à la canalisation d'eau par l'intermédiaire d'un robinet d'arrêt manuel.
- Enfiler doucement le tube de cuivre à travers le trou percé dans le placard. On doit travailler prudemment; le tube de cuivre est malléable et on peut facilement le déformer et même l'écraser. Le tube de cuivre doit pénétrer suffisamment dans le placard pour pouvoir être raccordé au point d'entrée du lave-vaisselle, à l'avant-gauche de celui-ci.
- Ouvrir le robinet d'arrêt à la position "ON" (marche) pour éliminer les particules qui pourraient obstruer l'électrovanne d'admission d'eau - récupérer l'eau qui s'écoule dans un plat peu profond.
- Tourner le robinet d'arrêt à la position "OFF" (arrêt).



Installation du tuyau d'évacuation

IMPORTANT : Utiliser toujours un tuyau d'évacuation neuf.

- Percer un trou de diamètre 1½" (3,8 cm) dans la paroi du placard ou dans le plancher sur le côté de l'espace d'installation le plus proche de l'évier.
- Employer l'une des méthodes suivantes pour raccorder le tuyau d'évacuation sur un raccord T ou sur un broyeur à déchets.
 - Option 1 - broyeur à déchets – avec brise-siphon
 - Option 2 - pas de broyeur à déchets – avec brise-siphon
 - Option 3 - broyeur à déchets – sans brise-siphon*
 - Option 4 - pas de broyeur à déchets – sans brise-siphon*

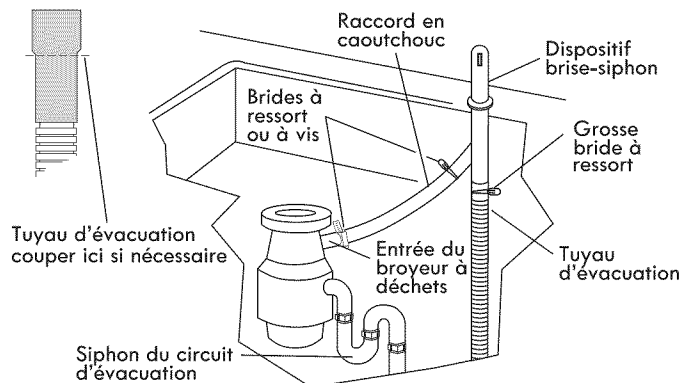
*On recommande qu'un brise-siphon soit disponible

Conseil utile : Pour réduire les effets de vibration du tuyau durant le fonctionnement, maintenir une séparation entre le tuyau et le plancher et entre le tuyau et la circonférence du trou de passage à travers le placard.

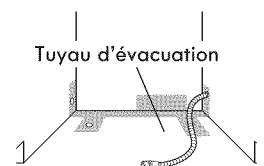
Option 1 - broyeur à déchets – avec brise-siphon :

- Ôter l'opercule arrachable sur le broyeur à déchets. Si nécessaire, couper l'extrémité du tuyau d'évacuation (ne pas couper dans la section ondulée).
- Connecter le tuyau d'évacuation sur le dispositif brise-siphon avec la grosse bride à ressort. Si le tuyau d'évacuation a été coupé, utiliser une bride à vis* de 1½" à 2" (3,8 à 5 cm).
- Utiliser un raccord en caoutchouc* avec une bride à ressort ou à vis* pour raccorder le dispositif brise-siphon à l'entrée du broyeur à déchets.

Ce raccordement doit être réalisé en amont du siphon du circuit d'évacuation et à au moins 20" (50,8 cm) au-dessus du plancher de l'espace d'installation du lave-vaisselle.



- Insérer le tuyau d'évacuation à travers le trou découpé dans le placard et acheminer le tuyau jusqu'à l'avant-centre de l'ouverture, au point de raccordement du tuyau d'évacuation.

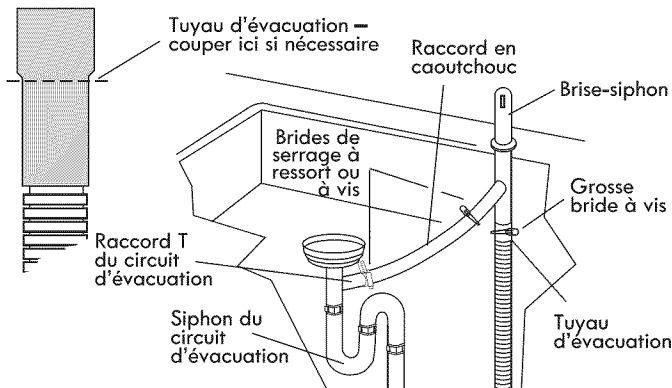


*Pièces disponibles dans un magasin local de fournitures de plomberie

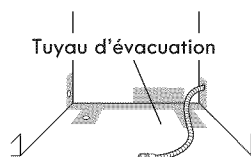
Option 2 - pas de broyeur à déchets – avec brise-siphon :

1. Si nécessaire, couper l'extrémité du tuyau d'évacuation (ne pas couper dans la section ondulée).
2. Connecter le tuyau d'évacuation sur le dispositif brise-siphon avec la grosse bride à ressort. Si le tuyau d'évacuation a été coupé, utiliser une bride à vis* de 1½ à 2" (3,8 à 5 cm).
3. Utiliser un raccord de caoutchouc* avec bride à ressort ou à vis* pour le raccordement entre le dispositif brise-siphon et le raccord T du circuit d'évacuation.

Ce raccordement doit être réalisé en amont du siphon du circuit d'évacuation et à au moins 20" (50,8 cm) au-dessus du plancher de l'espace d'installation du lave-vaisselle.



4. Insérer le tuyau d'évacuation à travers le trou découpé dans le placard et acheminer le tuyau jusqu'à l'avant-centre de l'ouverture, au point de raccordement du tuyau d'évacuation.

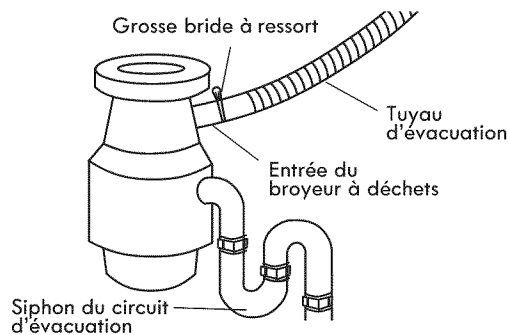


*Pièces disponibles dans un magasin local de fournitures de plomberie.

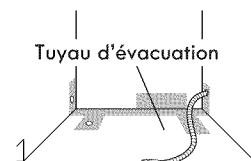
Option 3 - broyeur à déchets – sans brise-siphon :

1. Ôter l'opercule arrachable du broyeur à déchets. Ne pas couper l'extrémité du tuyau d'évacuation.
2. Connecter le tuyau d'évacuation sur le broyeur à déchets avec la grosse bride à ressort.

Ce raccordement doit être réalisé en amont du siphon du circuit d'évacuation et à au moins 20" (50,8 cm) au-dessus du plancher de l'espace d'installation du lave-vaisselle. On recommande de lover le tuyau d'évacuation et de le fixer solidement sur la face inférieure du plan de travail.

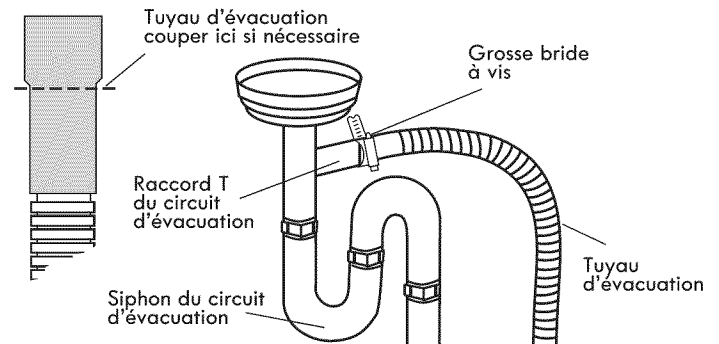


3. Insérer le tuyau d'évacuation à travers le trou découpé dans le placard et acheminer le tuyau jusqu'à l'avant-centre de l'ouverture, au point de raccordement du tuyau d'évacuation.

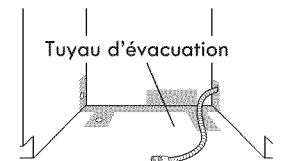


Option 4 - pas de broyeur à déchets – sans brise-siphon :

1. Si nécessaire, couper l'extrémité du tuyau d'évacuation (ne pas couper dans la section ondulée).
2. Connecter le tuyau d'évacuation sur le raccord T du circuit d'évacuation avec une bride à vis* de 1½ à 2" (3,8 à 5 cm)*. Ce raccordement doit être réalisé en amont du siphon du circuit d'évacuation et à au moins 20" (50,8 cm) au-dessus du plancher de l'espace d'installation du lave-vaisselle. On recommande de lover le tuyau d'évacuation et de le fixer solidement sur la face inférieure du plan de travail.



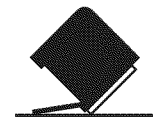
3. Insérer le tuyau d'évacuation à travers le trou découpé dans le placard et acheminer le tuyau jusqu'à l'avant-centre de l'ouverture, au point de raccordement du tuyau d'évacuation.



*Pièces disponibles dans un magasin local de fournitures de plomberie.

Préparation du lave-vaisselle

⚠ AVERTISSEMENT



Risque de basculement

Ne pas utiliser le lave-vaisselle jusqu'à ce qu'il soit complètement installé.

Ne pas appuyer sur la porte ouverte.

Le non-respect de ces instructions peut causer des blessures graves ou des coupures.

⚠ AVERTISSEMENT

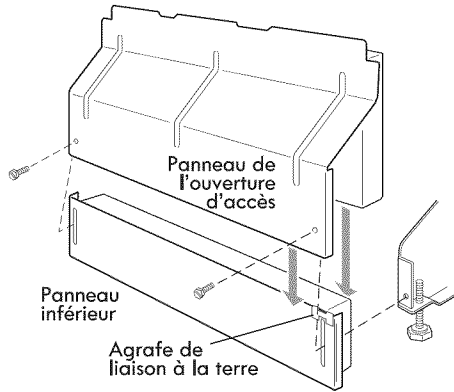
Risque du poids excessif

Utiliser deux personnes ou plus pour déplacer et installer le lave-vaisselle.

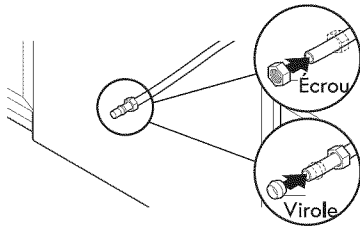
Le non-respect de cette instruction peut causer une blessure au dos ou d'autre blessure.

Conseil utile : Conserver une feuille de carton sous le lave-vaisselle jusqu'à son installation dans l'espace d'installation entre les placards. La feuille de carton protégera le plancher durant l'installation.

1. En utilisant 2 personnes ou plus, saisir l'aramature de porte du lave-vaisselle par les côtés et mettre le lave-vaisselle sur le dos en le faisant reposer sur les cornières.
2. Ôter les deux vis fixant le panneau de l'ouverture d'accès et le panneau inférieur sur le lave-vaisselle – utiliser une clé à douille ou un tourne-écrou de 1/4", ou encore un tournevis Phillips.
3. Retirer les panneaux et les mettre de côté sur une surface couverte.
4. Vérifier que l'agrafe de liaison à la terre est fixée sur le panneau inférieur.



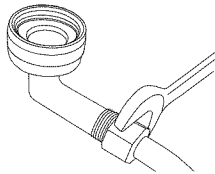
5. Enfiler l'écrou et la virole sur la canalisation.



Canalisation en cuivre uniquement : Enfiler l'écrou puis la virole sur la canalisation de cuivre, sur environ 1" (2,5 cm).

REMARQUE : Pour réduire les vibrations durant le fonctionnement, acheminer la canalisation d'alimentation en eau de telle manière qu'elle ne touche pas la base, le châssis ou le moteur de l'appareil.

6. Raccorder le raccord coudé de 90° à la canalisation d'alimentation en eau.

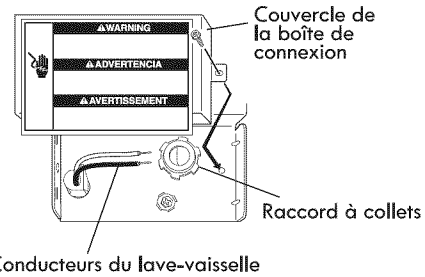


Raccorder le raccord de compression de 3/8" à la canalisation d'alimentation en eau avant d'installer l'appareil dans l'ouverture découpée dans le placard. Le fixer de façon à ce que le raccord de 3/4" soit orienté vers le haut.

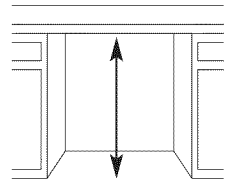
Canalisation en cuivre uniquement : insérer la canalisation dans le raccord coudé de 90° aussi loin que possible (la canalisation en cuivre se plie et s'écrase facilement). Faire glisser l'écrou et la virole vers l'avant et engager l'écrou sur le filetage du raccord coudé. Raccord flexible à tresse d'acier : Fixer l'écrou sur le coude à l'aide d'une clé plate ou d'une clé à molette de 5/8".

REMARQUE : Ne pas utiliser de ruban adhésif Teflon® avec les raccords de compression.

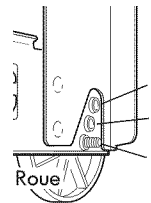
7. Ôter le couvercle de la boîte de connexion.
 - Dans le cas du câblage direct, installer un raccord à collets (homologation UL ou CSA) sur la boîte de connexion. Dans le cas de l'utilisation d'un conduit, installer un serre-câble (homologation UL ou CSA).
 - Si l'appareil doit être alimenté par un cordon d'alimentation, installer maintenant le cordon d'alimentation conformément aux instructions fournies avec l'ensemble. La trousse de cordon d'alimentation doit être homologuée UL et identifiée pour utilisation avec les lave-vaisselle (trousse de cordon d'alimentation, pièce n° 4317824).



8. Mesurer la hauteur libre de l'espace d'installation, de la face inférieure du plan de travail jusqu'au plancher, à l'emplacement d'installation du lave-vaisselle (au niveau du point le plus bas). Consulter le tableau ci-dessous pour obtenir la hauteur de l'ouverture. Placer les roues de l'appareil à la position appropriée.

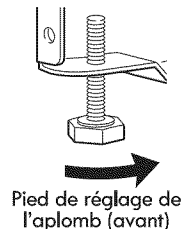


Hauteur libre minimale	Position des roues	Nombre de tours de vissage pour les pieds avant	Trous perforés sur le garnissage d'insonorisation/d'isolation
33 3/4" (85,7 cm)	retirer	complètement jusqu'en haut	retirer
33 7/8" (86 cm)	retirer	complètement jusqu'en haut	conserver
34" (86,4 cm)	1	10	conserver
34 1/4" (87 cm)	2	5	conserver
34 1/2" (87,6 cm)	3	0	conserver

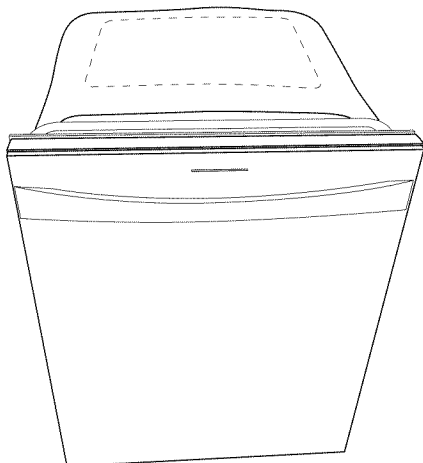


9. Ajuster les pieds de réglage de l'aplomb à l'avant (à la même hauteur).

Si la hauteur libre minimale de l'ouverture est inférieure à 34" (86,4 cm), on peut enlever les roues arrière pour obtenir un dégagement supplémentaire. On pourra ainsi installer le lave-vaisselle sous le plan de travail si la hauteur libre est de 33 7/8" (86 cm); il sera cependant plus difficile de placer le lave-vaisselle à sa position de service finale. Si on enlève les roues, on devra veiller à recouvrir le plancher lors des déplacements du lave-vaisselle.



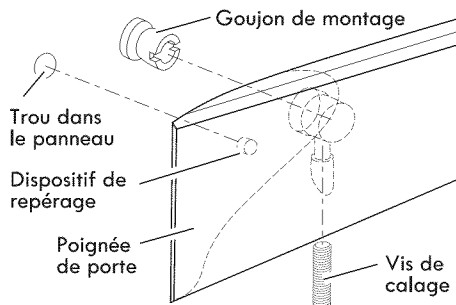
Si la hauteur minimale de l'ouverture entre les placards est de 33 $\frac{3}{4}$ " (85,7 cm), on peut retirer une partie du garnissage d'insonorisation/d'isolation en découpant le long des trous perforés.



Installation de la poignée de porte (sur certains modèles Kenmore Elite)

REMARQUES :

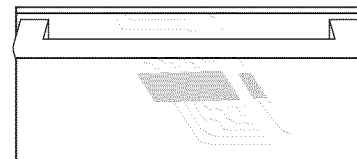
- Pour faciliter l'installation, utiliser au moins deux personnes pour placer le lave-vaisselle sur son dos.
 - Pour éviter d'égratigner le panneau avant, placer un chiffon doux ou une serviette contre le panneau pendant l'installation de la poignée de porte.
 - Des vis de calage sont pré-installées dans la poignée.
1. Retirer de la poche de plastique à bulles la poignée de porte et le sachet de pièces qui contient la clé hexagonale.
 2. Placer la poignée sur les goujons de montage. Les vis de calage doivent être orientées vers le bas, lorsqu'elles sont installées correctement. Si la poignée est installée à l'envers, l'installation ne sera pas correcte.
 3. Appuyer parfaitement la poignée de porte contre la porte.
 4. Insérer l'extrémité courte de la clé hexagonale dans les vis de calage. Serrer chaque vis de calage de $\frac{1}{4}$ de tour au-delà de la prise de contact. La vis de calage ne sera pas enfoncée dans la poignée.
 5. Répéter l'étape 4 pour l'autre vis de calage.
 6. Conserver la clé hexagonale avec les instructions d'installation.
- REMARQUE :** La procédure d'installation complète de la poignée devrait prendre moins de 5 minutes.



Installation de la poignée de porte (sur les modèles Kenmore PRO™)

IMPORTANT : Ne pas érafler le panneau avant au cours de ce processus.

1. Retirer la poignée de porte du panier de lavage supérieur du lave-vaisselle.
2. Retirer et jeter l'emballage de la poignée. S'assurer de conserver les instructions d'installation de la poignée et les pièces de montage.
3. Installer la poignée de porte en suivant les instructions d'installation fournies avec l'ensemble de poignée de porte.



Choix de la méthode d'immobilisation de l'appareil

⚠ AVERTISSEMENT

Risque du poids excessif

Utiliser deux personnes ou plus pour déplacer et installer le lave-vaisselle.

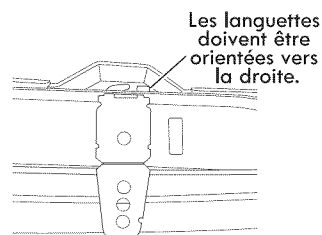
Le non-respect de cette instruction peut causer une blessure au dos ou d'autre blessure.

À l'aide d'au moins 2 personnes, mettre le lave-vaisselle en position verticale.

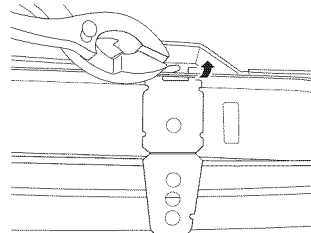
IMPORTANT : Le lave-vaisselle doit être fixé au placard. On trouvera 2 attaches dans le sachet de pièces. Fixer les attaches au sommet du lave-vaisselle si le plan de travail est fait de bois, de revêtement stratifié ou d'un autre matériau de surface similaire. Si le plan de travail est en marbre, en granite ou autre matériau solide, effectuer l'installation en suivant l'option n° 2.

Option 1 - Fixation au plan de travail

1. Sortir les brides de l'emballage et les placer dans les fentes ouvertes sur le côté droit et le côté gauche du haut du collet du lave-vaisselle (voir illustration).



2. Insérer la bride dans l'encoche du collet. À l'aide d'une pince, replier la languette vers le bas pour fixer la bride. Répéter cette étape pour l'autre côté.

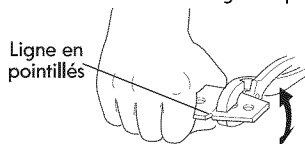


REMARQUE : Ne pas fixer le lave-vaisselle. Ceci sera fait ultérieurement.

Option 2 - Lave-vaisselle avec fixation latérale pour cuve en acier inoxydable

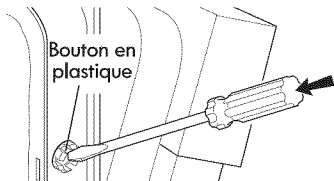
(pour plans de travail en marbre, granit ou autre surface dure)

1. Retirer les brides du sachet de pièces.
2. Briser l'extrémité de la bride le long des pointillés.



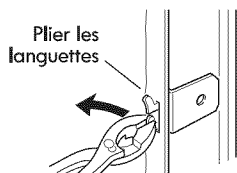
3. Avec l'aide d'une autre personne pour maintenir le lave-vaisselle et l'empêcher de basculer, ouvrir la porte du lave-vaisselle et placer une serviette sur la pompe et le bras d'aspersion du lave-vaisselle. Ceci empêchera les vis de tomber dans la pompe lors de la fixation du lave-vaisselle au placard.
4. Pousser sur les boutons en plastique pour les extraire du côté de la cuve.

REMARQUE : Conserver les boutons à part pour recouvrir les trous une fois le lave-vaisselle installé.



5. Enfoncer la bride dans la fente sur le côté du lave-vaisselle et replier la languette vers le côté du lave-vaisselle afin de maintenir la bride en place.

REMARQUE : Ne pas fixer le lave-vaisselle. Ceci sera fait ultérieurement.



Option 3 - Lave-vaisselle avec fixation latérale pour cuve en plastique

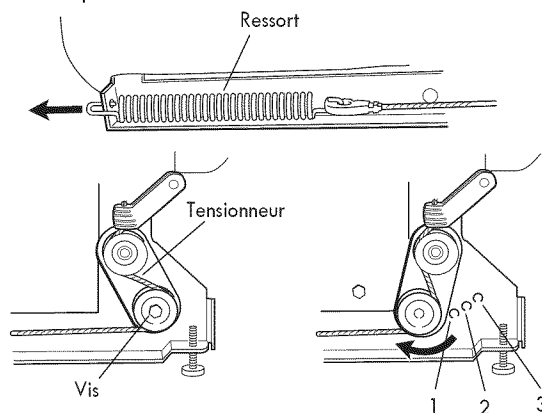
(pour plans de travail en marbre, granit ou autre surface dure)

6. Commander la pièce de la trousse de bride de montage n° 8212560.

Contrôle de la tension des ressorts de la porte

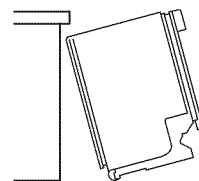
1. Alors qu'une autre personne retient l'appareil pour l'empêcher de basculer, ouvrir et refermer la porte plusieurs fois. Si la porte peut se fermer ou s'ouvrir sous l'effet de son propre poids, il sera nécessaire d'ajuster la tension des ressorts.
2. Pour ajuster la tension d'un ressort de la porte, décrocher le ressort du pied arrière du lave-vaisselle.
3. Avec une clé à douille de $\frac{5}{16}$ " , ôter la vis du tensionneur.
4. On peut placer la vis dans l'un des trois trous 1, 2, 3 près du pied avant du lave-vaisselle. Si la porte peut se fermer par elle-même, accrocher le ressort dans un trou de numéro plus élevé, et réinstaller la vis. Lorsque la porte n'est pas verrouillée, si elle peut s'ouvrir par elle-même, accrocher le tensionneur dans un trou de numéro moins élevé puis réinstaller la vis.

5. Raccrocher le ressort de la porte au pied arrière. On doit utiliser les mêmes trous pour les deux tensionneurs, de chaque côté de la porte.



Insertion du lave-vaisselle dans l'ouverture du placard

1. À l'aide d'au moins 2 personnes, mettre le lave-vaisselle en position verticale.
2. Saisir les côtés du lave-vaisselle par les rebords du panneau de porte.
3. Incliner le lave-vaisselle vers l'arrière sur ses roulettes et approcher l'appareil de l'ouverture dans le placard. Ne pas pousser sur l'avant du panneau ou sur la console – cela pourrait les déformer.
4. Si le lave-vaisselle est alimenté par un cordon d'alimentation, insérer le cordon d'alimentation dans le trou découpé dans le placard.



Dans le cas d'un câblage direct, vérifier que le câble d'alimentation est sur le côté avant droit de l'espace d'installation.

5. Vérifier que la canalisation d'eau est sur le côté gauche de l'espace d'installation, et que le tuyau d'évacuation est près du centre du trou percé dans le placard.
6. Insérer lentement et complètement le lave-vaisselle dans l'ouverture d'encastrement du placard. Veiller à ne pas coincer ou déformer le tube de cuivre, le tuyau d'évacuation, le cordon d'alimentation ou le câble de raccordement direct entre le lave-vaisselle et le placard.

Conseil utile : Lorsque le lave-vaisselle est à sa position de service, il peut être nécessaire de soutenir l'avant – soulever/ abaisser ou caler les pieds avant.

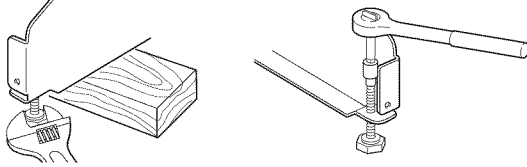
7. Enlever la feuille de carton placée sous le lave-vaisselle.
8. À l'aide des encoches prédécoupées dans le garnissage d'insonorisation/isolation, fixer le garnissage d'insonorisation/isolation aux côtés de la cuve à l'aide des crochets de chaque côté du tambour.

REMARQUE : Le fait qu'il n'y ait que peu d'espace entre le lave-vaisselle et l'ouverture d'encastrement du placard ne pose pas de problème. Ne pas enlever le garnissage d'insonorisation/isolation – il réduit le niveau sonore.

Établissement de l'aplomb du lave-vaisselle

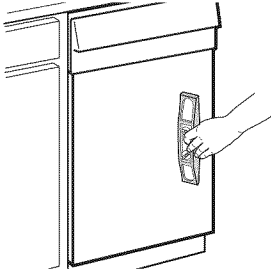
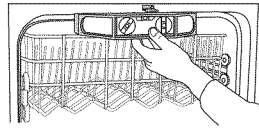
1. Aligner l'avant du panneau de porte du lave-vaisselle avec les portes des placards. Cela pourrait nécessiter un léger déplacement du lave-vaisselle.

Conseil utile : Durant le réglage de la hauteur des pieds avant, soulever un côté du châssis du lave-vaisselle pour séparer le pied du plancher.

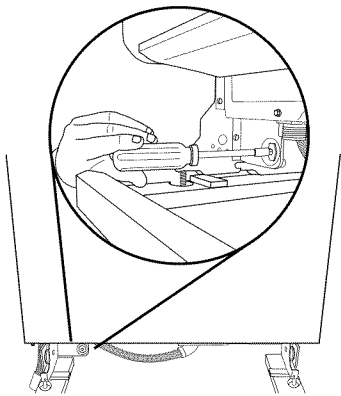


Avec certaines installations, il peut être plus facile de régler le pied avant à l'aide d'une clé à tête hexagonale de 3/16".

2. Vérifier que chaque pied de réglage de l'aplomb est fermement en appui sur le sol.
3. Placer le niveau contre la partie supérieure de la cuve, à l'avant; vérifier l'aplomb transversal de l'appareil. Si le lave-vaisselle n'est pas d'aplomb, ajuster la hauteur des pieds réglables avant pour établir l'aplomb.
4. Fermer la porte et la verrouiller. Placer le niveau contre l'avant du lave-vaisselle pour voir s'il est aligné verticalement.



5. Si nécessaire, ajuster la hauteur des pieds arrière de réglage de l'aplomb à l'aide d'un tournevis Phillips pour ajuster l'arrière de l'appareil. Tourner l'appareil de nivellement arrière situé sur le côté avant gauche du compartiment inférieur dans le sens antihoraire pour élever l'arrière de l'appareil.



Raccordement électrique

Voir la section "Spécifications électriques".

On doit disposer :

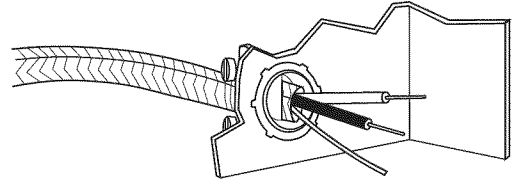
- d'une source d'électricité appropriée, et d'une liaison à la terre selon la méthode recommandée.

Si votre situation correspond à l'une des situations suivantes :

- pour le câblage direct, utiliser l'option 1.
- pour l'alimentation par un cordon d'alimentation, utiliser l'option 2.

Option 1 - Câblage direct

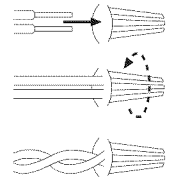
1. Acheminer le câble d'alimentation de telle manière qu'il ne touche pas les moteurs du lave-vaisselle ni la partie inférieure de la cuve du lave-vaisselle.



2. Insérer les conducteurs du câble dans la boîte de connexion, à travers le trou.

Conseil utile :

- Sélectionner des connecteurs de fils de taille appropriée pour le raccordement des conducteurs de l'appareil (calibre 16) au câblage de la maison.
 - Insérer les extrémités des conducteurs dans le connecteur. Ne pas pré-torsader les conducteurs nus.
 - Visser le connecteur.
 - Tirer doucement sur les conducteurs pour vérifier la solidité de la connexion.
3. Utiliser des connecteurs de fils de taille appropriée pour le raccordement direct des conducteurs de l'appareil (calibre 16) au câblage de la maison, et réaliser les raccordements comme suit :



Câble d'alimentation	Conducteur dans la boîte de connexion
blanc ↔	blanc
noir ↔	noir
Liaison à la terre ↔	Connecteur de liaison à la terre vert

⚠ AVERTISSEMENT



Risque de choc électrique

Relier le lave-vaisselle à la terre d'une méthode électrique.

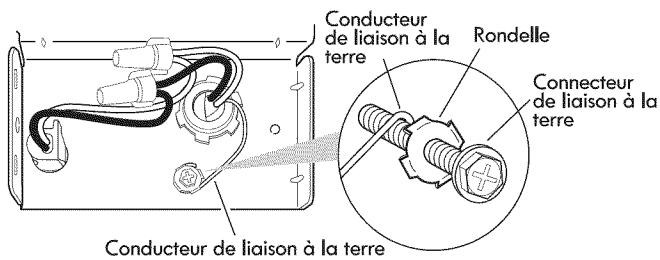
Brancher le fil relié à la terre au connecteur vert relié à la terre dans la boîte de la borne.

Ne pas utiliser un câble de rallonge.

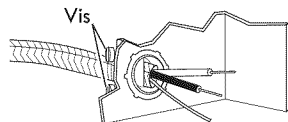
Le non-respect de ces instructions peut causer un décès, un incendie ou un choc électrique.

4. Former un crochet en U avec le conducteur nu de liaison à la terre; placer le crochet du conducteur de liaison à la terre (dans le sens horaire) autour du connecteur de liaison à la terre et sous la rondelle.

- Serrer fermement le connecteur de liaison à la terre.

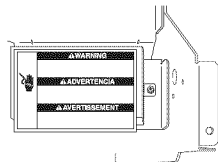


- Serrer les vis de bridage du serre-câble ou du connecteur de conduit.



- Réinstaller le couvercle de la boîte de connexion – enfermer les conducteurs à l'intérieur de la boîte.

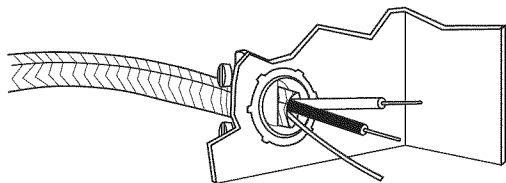
Le couvercle doit être placé à l'extérieur de la boîte de connexion, sur le côté gauche.



- Veiller à ce qu'aucun conducteur ne soit coincé entre le couvercle et la boîte.

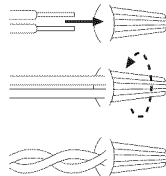
Option 2, Raccordement par cordon d'alimentation

- Acheminer le cordon d'alimentation de telle manière qu'il ne touche pas les moteurs du lave-vaisselle ni la partie inférieure de la cuve du lave-vaisselle.
- Insérer le câble de raccordement direct dans la boîte de connexion, à travers le trou.



Conseil utile :

- Sélectionner des connecteurs de fils de taille appropriée pour le raccordement des conducteurs de l'appareil (calibre 16) au câblage de la maison.
- Insérer les extrémités des conducteurs dans le connecteur homologué UL/CSA. Ne pas pré-torsader les conducteurs nus.
- Visser le connecteur.
- Tirer doucement sur les conducteurs pour vérifier la solidité de la connexion.



- Utiliser des connecteurs de fils de taille appropriée pour le raccordement des conducteurs de l'appareil (calibre 16) au cordon d'alimentation électrique, et réaliser les raccordements comme suit :

Câble d'alimentation	Conducteur dans la boîte de connexion
blanc	blanc
noir	noir
Liaison à la terre	Connecteur de liaison à la terre vert

⚠ AVERTISSEMENT



Risque de choc électrique

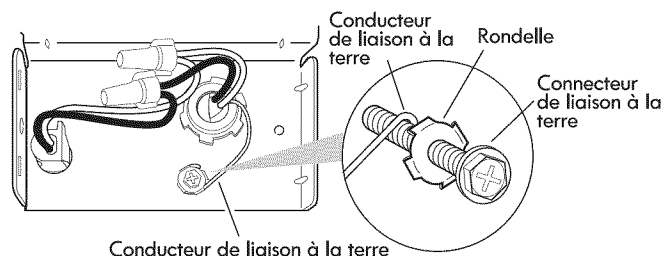
Relier le lave-vaisselle à la terre d'une méthode électrique.

Brancher le fil relié à la terre au connecteur vert relié à la terre dans la boîte de la borne.

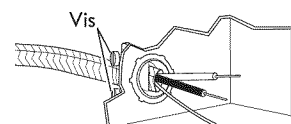
Ne pas utiliser un câble de rallonge.

Le non-respect de ces instructions peut causer un décès, un incendie ou un choc électrique.

- Former un crochet en U avec le conducteur nu de liaison à la terre; placer le crochet du conducteur de liaison à la terre (dans le sens horaire) autour du connecteur de liaison à la terre et sous la rondelle.
- Serrer fermement le connecteur de liaison à la terre.

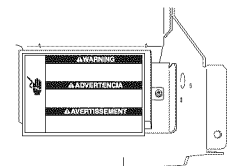


- Serrer les vis de bridage du serre-câble ou du connecteur de conduit.



- Réinstaller le couvercle de la boîte de connexion – enfermer les conducteurs à l'intérieur de la boîte.

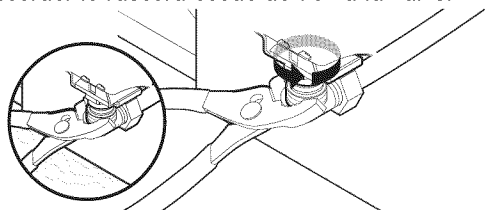
Le couvercle doit être placé à l'extérieur de la boîte de connexion, sur le côté gauche.



- Veiller à ce qu'aucun conducteur ne soit coincé entre le couvercle et la boîte.
- Ne pas brancher le cordon du lave-vaisselle dans une prise avant que les instructions ne le précisent.
- Vérifier l'absence de tout contact entre le cordon d'alimentation et le moteur du lave-vaisselle ou la partie inférieure de la cuve du lave-vaisselle.

Raccordement à la canalisation d'eau

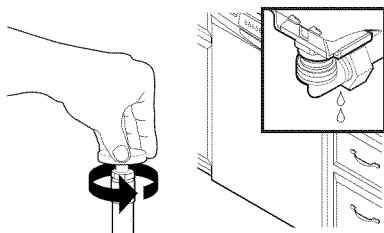
1. Raccorder le raccord coudé de 90° à la valve.



S'assurer que la rondelle de caoutchouc est correctement installée dans le raccord. Enfiler le raccord de 3/4" vers le haut jusqu'à la valve et serrer à la main afin d'éviter de fausser involontairement le filetage. Serrer à la main jusqu'à ce que le raccord soit serré. À l'aide d'une pince, vérifier l'étanchéité du raccord. 1/4 à 1/2 tour supplémentaire peut s'avérer nécessaire pour créer l'étanchéité du joint de caoutchouc.

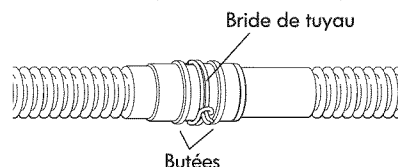
REMARQUE : Ne pas trop serrer. Le raccord risque d'être endommagé.

2. Vérifier l'absence de fuites.



Placer une serviette de papier sous le raccord coudé de 90°. Ouvrir l'alimentation en eau et inspecter pour identifier toute fuite. Si une fuite se produit, répéter l'étape précédente.

6. Avec une pince, ouvrir la bride de serrage et placer la bride sur le raccord de connexion, entre les butées (voir l'illustration).



Immobilisation du lave-vaisselle dans l'espace d'installation

⚠ AVERTISSEMENT



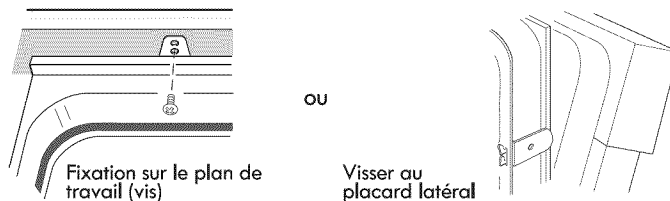
Risque de basculement

Ne pas utiliser le lave-vaisselle jusqu'à ce qu'il soit complètement installé.

Ne pas appuyer sur la porte ouverte.

Le non-respect de ces instructions peut causer des blessures graves ou des coupures.

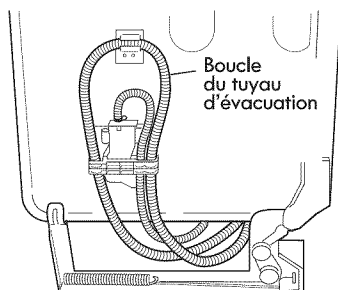
1. Si ce n'est pas déjà fait, ouvrir la porte du lave-vaisselle et placer une serviette au-dessus de l'ensemble pompe/bras d'aspersion du lave-vaisselle. Ceci empêchera les vis de tomber autour de la pompe si vous les faites glisser involontairement lorsque vous fixez le lave-vaisselle au plan de travail.
2. Contrôler le bon aplomb du lave-vaisselle, et le centrage latéral de l'appareil dans l'ouverture.
3. Assujettir le lave-vaisselle au plan de travail ou aux côtés des placards avec 2 vis Phillips n° 10 x 1/2". Il faut que le lave-vaisselle soit immobilisé pour qu'il ne bascule pas lors de l'ouverture de la porte.



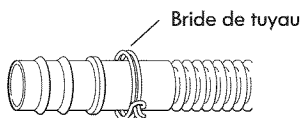
4. Entrouvrir la porte d'environ 3" (7,6 cm); vérifier que l'espace entre la doublure interne de la porte et la cuve est identique des deux côtés. Si l'espace n'est pas identique des deux côtés, desserrer les vis des brides d'arrimage et déplacer légèrement la cuve. Resserrer les vis.

Raccordement à la canalisation d'évacuation

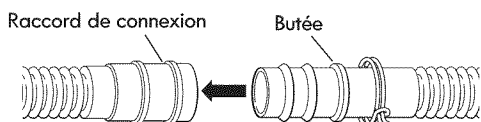
1. Pour minimiser toute vibration, acheminer le conduit d'évacuation de telle manière qu'il n'y ait aucun contact avec le moteur, les ressorts de la porte, la canalisation d'eau, le placard, le plancher ou la circonférence du trou de passage à travers la paroi du placard.



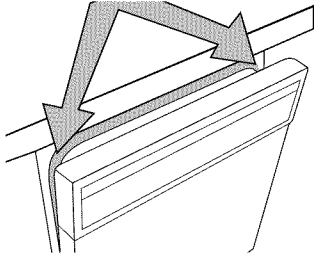
2. Ne pas détacher du lave-vaisselle la boucle formée par le tuyau d'évacuation sur le côté de l'appareil.
3. Placer un plat sous l'extrémité du tuyau d'évacuation pour y recueillir toute eau qui s'écoulerait du tuyau.
4. Placer la petite bride sur la petite extrémité du tuyau d'évacuation.



5. Enfoncer le tuyau d'évacuation dans le raccord de connexion, jusqu'à la butée.



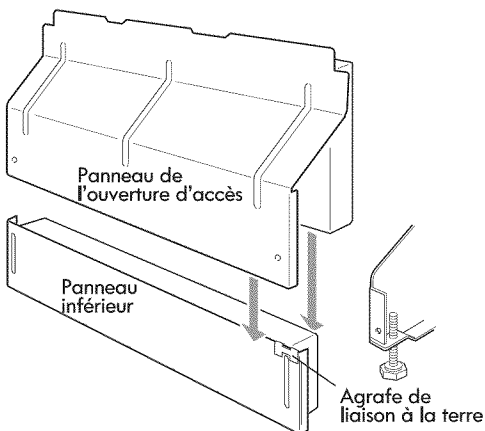
- Si l'on utilise une fixation de plan de travail pour immobiliser le lave-vaisselle, vérifier qu'il n'y a aucun contact entre le sommet de la porte et les vis, les brides ou le plan de travail. S'il y a un contact, on doit abaisser le lave-vaisselle puis établir de nouveau l'aplomb de l'appareil.



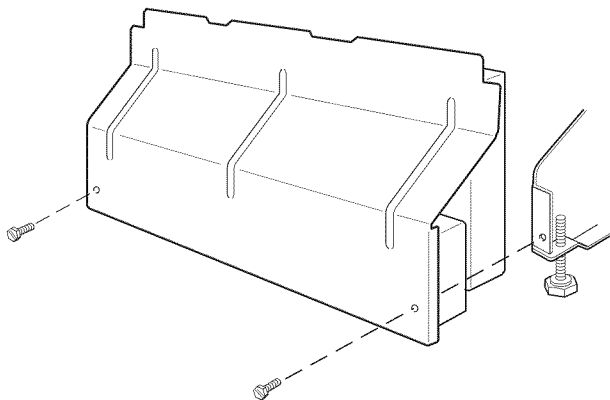
- En cas de fixation latérale, vérifier que les côtés de la porte ne frottent pas contre les têtes de vis. S'il y a frottement, centrer à nouveau le lave-vaisselle.
- Retirer la serviette du lave-vaisselle.
- Réinstaller le panier à vaisselle inférieur.

Dernières opérations de l'installation

- Vérifier que l'agrafe de liaison à la terre est fixée sur le panneau inférieur.
- Placer le panneau inférieur derrière le panneau de l'ouverture d'accès. Sur certains modèles, il y a sur le panneau de l'ouverture d'accès un matériau isolant qui devra être inséré derrière l'isolant du panneau inférieur.



- Maintenir les 2 panneaux ensemble et placer les deux panneaux contre les pieds du lave-vaisselle.
- Réinstaller les vis à travers les trous du panneau de l'ouverture d'accès et les fentes du panneau inférieur. Installer d'abord la vis du côté droit.



- Vérifier que le bord inférieur du panneau inférieur est au contact du plancher.
- Serrer les vis.

Alimentation de l'appareil par câblage direct :

⚠ AVERTISSEMENT



Risque de choc électrique

Relier le lave-vaisselle à la terre d'une méthode électrique.

Brancher le fil relié à la terre au connecteur vert relié à la terre dans la boîte de la borne.

Ne pas utiliser un câble de rallonge.

Le non-respect de ces instructions peut causer un décès, un incendie ou un choc électrique.

Alimentation de l'appareil par cordon d'alimentation :

⚠ AVERTISSEMENT



Risque de choc électrique

Brancher sur une prise à 3 alvéoles reliée à la terre.

Ne pas enlever la broche de liaison à la terre.

Ne pas utiliser un adaptateur.

Ne pas utiliser un câble de rallonge.

Le non-respect de ces instructions peut causer un décès, un incendie ou un choc électrique.

- Rebrancher le lave-vaisselle ou reconnecter la source de courant électrique.

Contrôle du fonctionnement

1. Lire le manuel d'utilisation et d'entretien fourni avec le lave-vaisselle.
2. Vérifier que toutes les pièces ont été installées et qu'aucune étape n'a été omise.
3. Vérifier la présence de tous les outils utilisés.
4. Mettre le lave-vaisselle en marche et commander l'exécution complète du programme de lavage le plus court. Après les deux premières minutes, déverrouiller la porte; attendre cinq secondes, puis ouvrir la porte.
5. Vérifier qu'il y a bien de l'eau au fond de la cuve du lave-vaisselle. Vérifier que le lave-vaisselle fonctionne correctement.
6. Si ce n'est pas le cas, déconnecter la source de courant électrique ou débrancher le lave-vaisselle et voir la section "Si le lave-vaisselle ne fonctionne pas".

Si le lave-vaisselle ne fonctionne pas

Essayer d'abord les solutions suggérées ici pour éviter le coût d'une intervention de dépannage.

- Disjoncteur ouvert ou fusible grillé?
- Porte bien fermée et verrouillée?
- Sélection correcte du programme sur l'appareil?
- Arrivée d'eau ouverte?

Si ces contrôles ne permettent pas de résoudre l'anomalie, téléphoner au 1-800-4-MY-HOME.

