

Installation Guide
Instrucciones de Instalación
Instructions d'Installation
English / Español / Français

Models/Modelos/Modèles: 630.1390*, 630.1391*

Kenmore Elite®

Dishwasher

Lavadora de Platos

Lave Vaisselle

* = color number, número de color, le numéro de la couleur

P/N 9000543976 Rev. A

Sears Brands Management Corporation
Hoffman Estates,
IL 60179 U.S.A.
www.kenmore.com
www.sears.com

Sears Canada Inc.
Toronto, Ontario, Canada M5B 2B8
www.sears.ca



TABLE OF CONTENTS

Dishwasher Safety.....
Installation Requirements
Materials needed
Tools needed.....
Materials supplied.....
Pre-install checklist.....
Drain requirements

Water supply requirements.....
Electrical requirements.....
Installation Instructions.....



IMPORTANT SAFETY INSTRUCTIONS - Please Read and SAVE this information

To avoid possible injury or property damage, **OBSERVE ALL WARNINGS AND CAUTIONS.** These instructions are intended for use by qualified installers only. In addition to these instructions, the dishwasher shall be installed to meet all electrical and plumbing codes and ordinances (both national and local).

Make sure electrical work is properly installed. There should be no loose electrical connections. Ensure all electrical connections are properly made.

The customer has the responsibility of ensuring that the dishwasher electrical installation is in compliance with all national and local electrical codes and ordinances. The dishwasher is designed for an electrical supply of 120V, 60 Hz, AC, connected to a dishwasher-dedicated, properly grounded electrical circuit with a fuse or breaker rated for 15 amps. Electrical supply conductors shall be a minimum #14 AWG copper only wire rated at 75°C (167°F) or higher.

This appliance must be connected to a grounded metal, permanent wiring system, or an equipment-grounding conductor must be run with the circuit conductors and connected to the equipment-grounding terminal or lead on the appliance. Do not use extension cords.



WARNING



Avoiding General Hazards

Do not use the dishwasher until it is completely installed. When opening the door on an uninstalled dishwasher, carefully open the door while supporting the rear of the unit. Failure to follow this warning can cause the dishwasher to tip over and result in serious injury.

In some conditions, hydrogen gas can form in a hot water system that has not been used for weeks. Hydrogen gas is explosive. Before filling a dishwasher from a system that has been off for weeks, run the water from a nearby faucet in a well ventilated area until there is no sound or evidence of gas.

Temperatures required for soldering and sweating will damage the dishwasher's base and water inlet valve. If plumbing lines are to be soldered or sweated, keep the heat source at least 6 inches (152.4 mm) away from the dishwasher's base and water inlet valve.

Removing any cover or pulling the dishwasher from the cabinet can expose hot water connections, electrical power and sharp edges or points. Handle with care. Always wear gloves and safety glasses.



Avoiding Electrical Shock/Fire Hazards

Do not allow the electrical and water supply lines to touch. Separate channels are provided under the dishwasher.

Do not work on an energized circuit. Doing so could result in serious injury or death. Only qualified electricians should perform electrical work. Do not attempt any work on the dishwasher electric supply circuit until you are certain the circuit is de-energized.



Avoiding Plumbing/Scalding Hazards

Do not perform any work on a charged hot water line. Serious injury could result. Only qualified plumbers should perform plumbing work. Do not attempt any work on the dishwasher hot water supply plumbing until you are certain the hot water supply is shut off.

Do not over tighten the 90° elbow. Doing so may damage the water inlet valve and cause a water leak.

Temperatures required for soldering and sweating will damage the dishwasher's water inlet valve. If plumbing lines are to be soldered or sweated, keep the heat source at least 6 inches (152.4 mm) away from the dishwasher's water inlet valve.

Check local plumbing codes for approved plumbing procedures and accessories. All plumbing should be done in accordance with national and local codes.

These instructions depict an installation method for stainless steel braided hose or PEX hot water supply lines. If using copper tubing or other material for water supply, defer to a licensed plumber for proper installation.



IMPORTANT SAFETY INSTRUCTIONS - Please Read and SAVE this information

Read these installation instructions completely and follow them carefully. They will save you time and effort and help to ensure safety and optimum dishwasher performance.

If the dishwasher is installed in a location that experiences freezing temperatures (e.g., in a holiday home), you must drain all the water from the dishwasher's interior. Water system ruptures that occur as a result of freezing are **NOT COVERED BY WARRANTY**.

IMPORTANT

- The dishwasher drain hose must be installed with a portion of it at least 20" (508mm) off the cabinet floor; otherwise the dishwasher may not drain properly.
- This dishwasher is intended for indoor residential use only, and should not be used in commercial food service establishments.

- This dishwasher is designed to be enclosed on the top and both sides by cabinetry.
- **NEW INSTALLATION** - If the dishwasher is a new installation, most of the work must be done before the dishwasher is moved into place.
- **REPLACEMENT** - If the dishwasher is replacing another dishwasher, check the existing dishwasher connections for compatibility with the new dishwasher, and replace parts as necessary.
- This appliance has been found to be in compliance with CAN/CSA-C22.2 No. 167/UL 749. It is the responsibility of the owner and the installer to determine if additional requirements and standards apply in specific installations.
- Not for outdoor use.

OTHER IMPORTANT INFORMATION

Inspect the Dishwasher

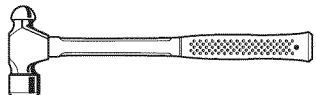
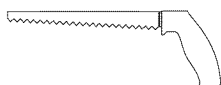

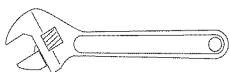
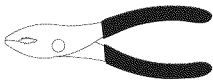
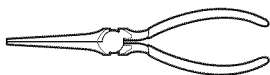

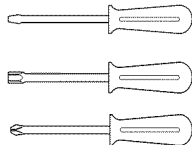
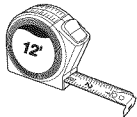
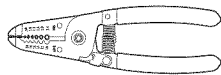
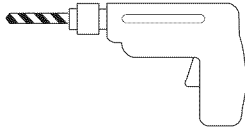
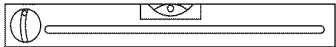
After unpacking the dishwasher and prior to installation, thoroughly inspect the dishwasher for possible freight or cosmetic damage. Report any damage immediately. Cosmetic defects must be reported within 30 days of installation.

NOTE: Do not discard any bags or items that come with the original package until after the entire installation has been completed.

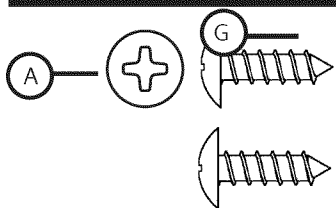
MATERIALS NEEDED

	Electrical Supply Cable - Minimum #14 AWG, 2 conductor, 1 ground, insulated copper conductors rated 75°C (167°F) or higher.	90° elbow with 3/8" N.P.T. male threads on one leg, and sized to fit your water supply line (copper tubing/compression fitting, or braided hose) on the other leg.
	Hot Water Supply Line - Minimum 3/8" O.D. copper tubing, PEX, or metal braided dishwasher supply line.	Thread seal tape or other pipe sealant compound to seal plumbing connections.
	Shut-off valve and fittings appropriate for hot water supply line (copper tubing/compression fitting, or braided hose).	UL listed conduit connector or strain relief.

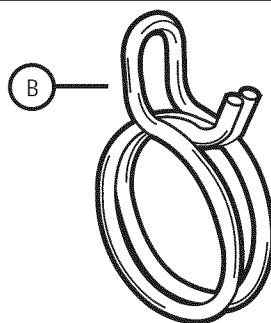
TOOLS NEEDED

 <p style="text-align: center;">Hammer</p>	 <p style="text-align: center;">Hole Saw</p>	 <p style="text-align: center;">Safety Glasses</p>	 <p style="text-align: center;">Adjustable Wrench</p>
 <p style="text-align: center;">Pliers</p>	 <p style="text-align: center;">Needle Nose Pliers</p>	 <p style="text-align: center;">Work Gloves</p>	 <p style="text-align: center;">Screwdrivers</p>
 <p style="text-align: center;">Measure Tape</p>	 <p style="text-align: center;">Wire Strippers</p>	 <p style="text-align: center;">Drill</p>	 <p style="text-align: center;">Level</p>

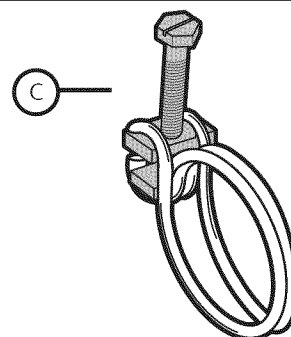
MATERIALS SUPPLIED



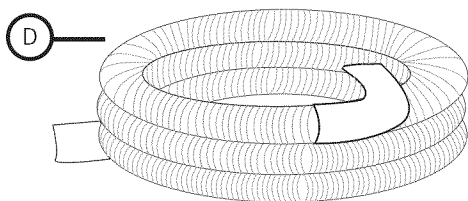
Mounting Bracket Screws



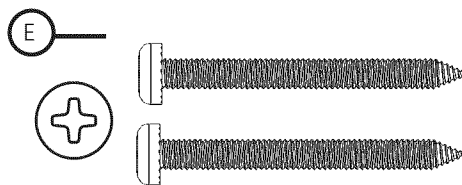
Spring Clamp



Screw Clamp



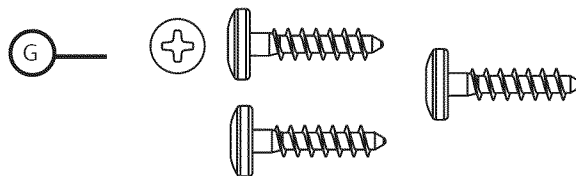
Drain Hose



Toe Panel Screws



Junction Box Screw



Leg Leveler Screws

PRE-INSTALLATION CHECKLIST

IMPORTANT!

Before you begin, you must read the safety instructions!

PRE-INSTALL CHECKLIST

- Unpack unit. Retain packing material until successful installation is complete.
- Remove all packing material from inside the dishwasher.
- Inspect parts to ensure you have all the necessary materials.
- Flush household hot water supply for at least two minutes.
- Measure the enclosure area.
- Is the opening at least 34" (87 cm) high and 23⁵/₈" (60-61 cm) wide?
- Is the opening near enough to the sink for the water line and drain hoses to access plumbing?
- Is the drain hose being connected to the garbage disposal. If so, is the knockout plug on the disposal removed?
- Will the unit be installed close enough to the sink so that drain hose length does not exceed 92" (234 cm) and so that a portion of the drain hose is raised at least 20" (51 cm) above the floor?
- Do the openings for electric cable, water line and drain hose routing through cabinet fit as shown in the manual?
- Are the openings sanded smooth if wood or covered by a protective gasket if metal?
- Check that the incoming hot water supply line is connected to the water inlet connection on the dishwasher and has a water pressure of 15-145 PSI (1-10 bar). Wash program cycle times are based on 120F.
- If installing in a corner, will the dishwasher door clear cabinet hardware?
- Determine mounting method based on dishwasher model and countertop type.

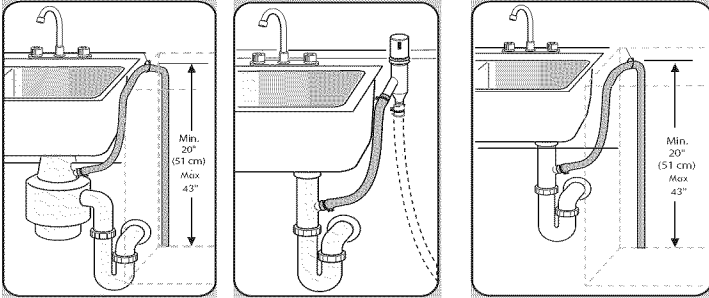


WARNING

Avoid Scalding or Electrical Shock Hazard!
Make sure the water supply and electrical supply are shut off before installation or service.

INSTALLATION REQUIREMENTS

Drain requirements



Note: Plumbing installations will vary - refer to local codes.

Always include a Loop in the Drain Hose for proper function

- Height of loop - [Min. 20" (51 cm) - Max. 43" (109 cm)]
- Length of Drain Hose included on Dishwasher 92" (233 cm)

When adding an extension to the Drain Hose the maximum length for proper Dishwasher function is 168" (426 cm).

Water supply requirements

- A hot water supply line - Minimum $\frac{3}{8}$ " O.D. Copper tubing, PEX, or metal braided dishwasher supply line.
- 120°F (49°C) water at dishwasher.
- Shut-off valve and fittings appropriate for hot water supply line (copper tubing/compression fitting or braided hose).
- 90° elbow with $\frac{3}{8}$ " N.P.T. male threads on one leg, and sized to fit your water supply line (copper tubing/compression fitting, or braided hose) on the other leg.

Electrical requirements

Note: Plumbing installations will vary - refer to local codes. Drain hose included is 92" (234 cm) and can be extended to a maximum of 150" (381 cm). Ensure a portion of the drain hose is raised at least 20" (51 cm) above the floor.

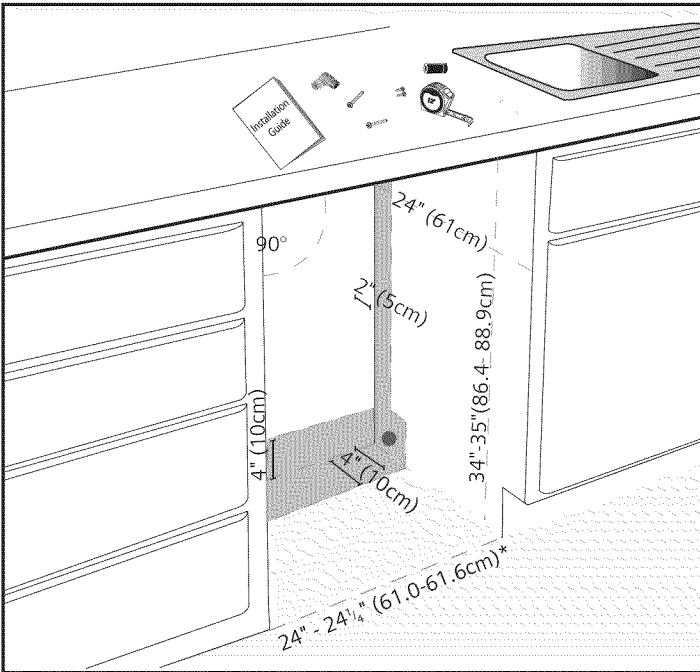
Ensure that the dishwasher electrical installation is in compliance with all national and local electrical codes and ordinances. The dishwasher is designed for an electrical supply of 120V, 60 Hz, AC, connected to a dishwasher-dedicated, properly grounded electrical circuit with a fuse or breaker rated for 15 amps. Electrical supply conductors shall be a minimum #14 AWG copper only wire rated at 75°C (167°F) or higher.

INSTALLATION INSTRUCTIONS



STEP 1

Enclosure Preparation



NOTE: This dishwasher is designed to be enclosed on the top and both sides by standard residential kitchen cabinetry. Select a location as close to the sink as possible for easy access to water supply and drain lines.

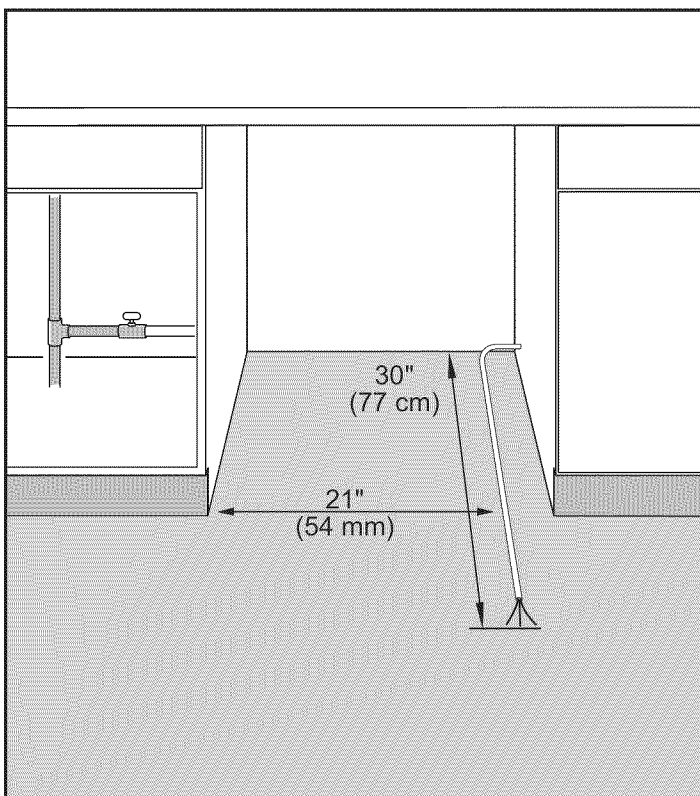
For proper dishwasher operation and appearance, ensure that the enclosure is square and has the dimensions shown here.

NOTE: If the cabinet opening is less than 24", the side strips may need to be removed.

* $23\frac{5}{8}$ " - $24\frac{1}{4}$ " (600 - 616 mm) with side strips removed.

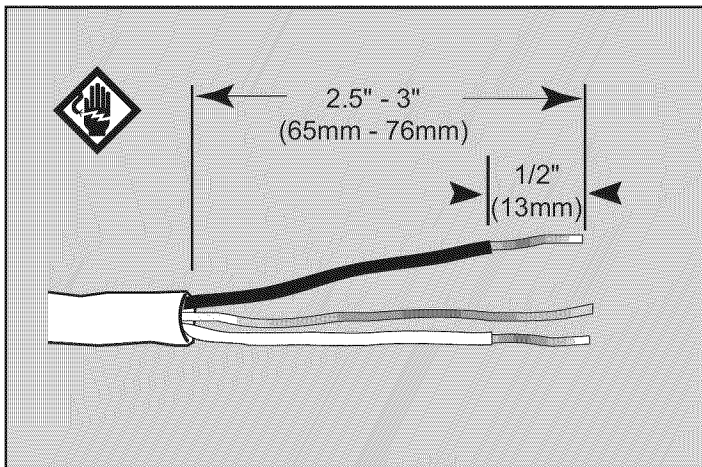
STEP 2

Electrical Preparation



Turn power off at fuse box. Regardless of where the electrical supply cable originates, position it 21" (54 cm) from the opening's left side. Extend the cable 30" (77 cm) from the back wall. Ensure the electric line does not come in contact with any wiring or other parts beneath the unit.

Electrical Supply



Ensure that the dishwasher electrical installation is in compliance with all national and local electrical codes and ordinances. The dishwasher is designed for an electrical supply of 120V, 60 Hz, AC, connected to a dishwasher-dedicated, properly grounded electrical circuit with a fuse or breaker rated for 15 amps. Electrical supply conductors shall be a minimum #14 AWG copper-only wire rated at 75°C (167°F) or higher.

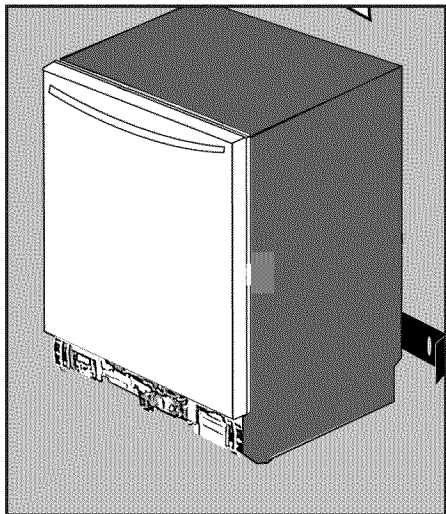
Strip outer casing of electrical wire to expose 2.5" - 3" (65 - 76 mm) of the inner wires. Then strip 1/2" (13 mm) casing from each individual wire.

Dishwasher Electrical Rating

Volts	Hertz	Amperes	Watts
120	60	12	1,450 (max)

STEP 3

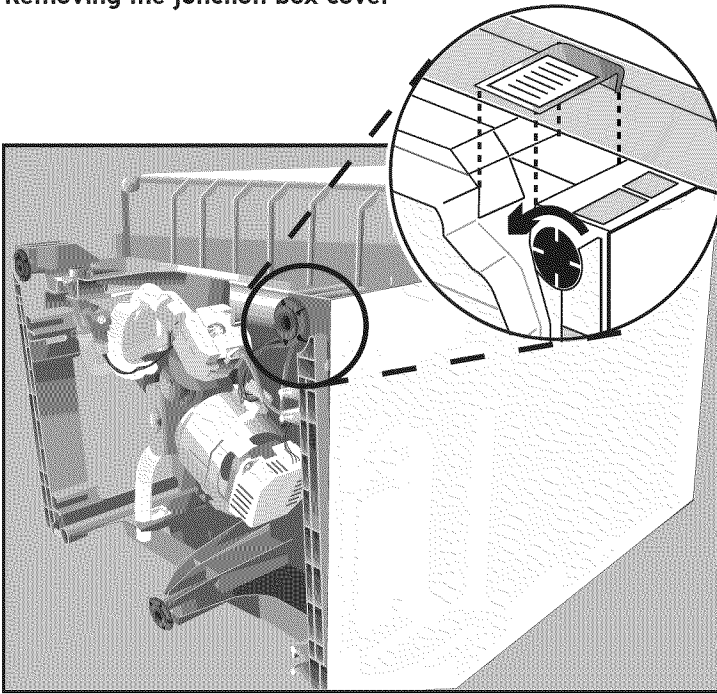
Removing the toe panel



Gently rest the unit on its back as shown in Step 4. Remove the toe panel. Set the toe panel aside. It will be installed later.

STEP 4

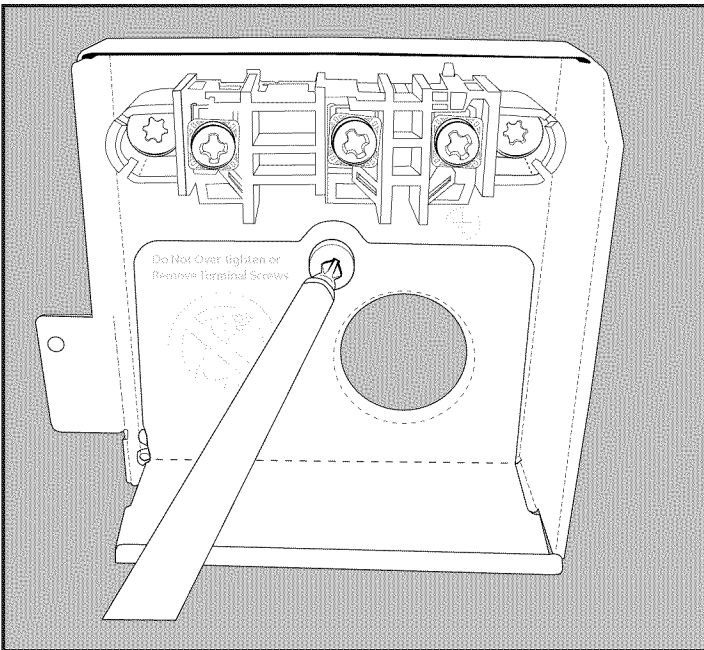
Removing the junction box cover



While unit is still in position as shown in the figure to the left, remove the junction box cover and set it aside. You will need it later.

STEP 5

Removing the strain relief plate

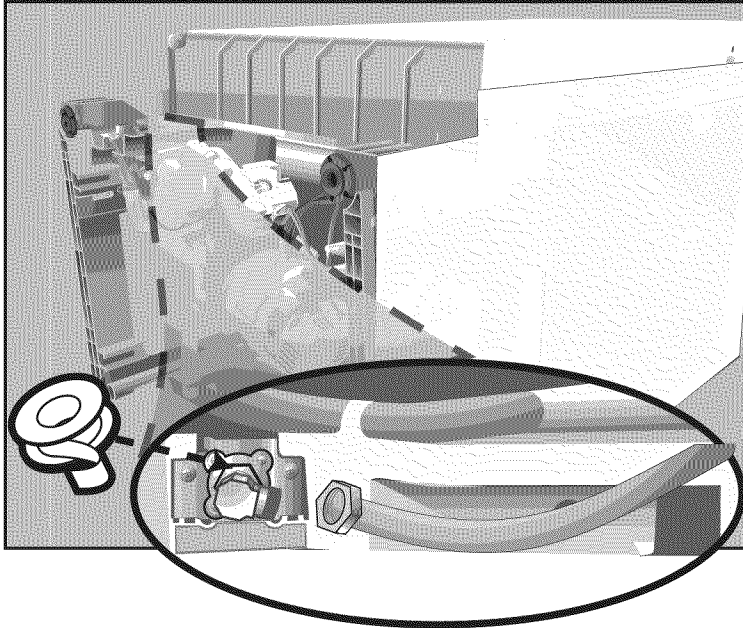


Once you remove the junction box cover, remove the strain relief plate located directly behind the junction box cover. **DO NOT DISCARD!** You will re-install this later.

NOTE: DO NOT remove terminal block connections!

STEP 6

Attaching the hot water line



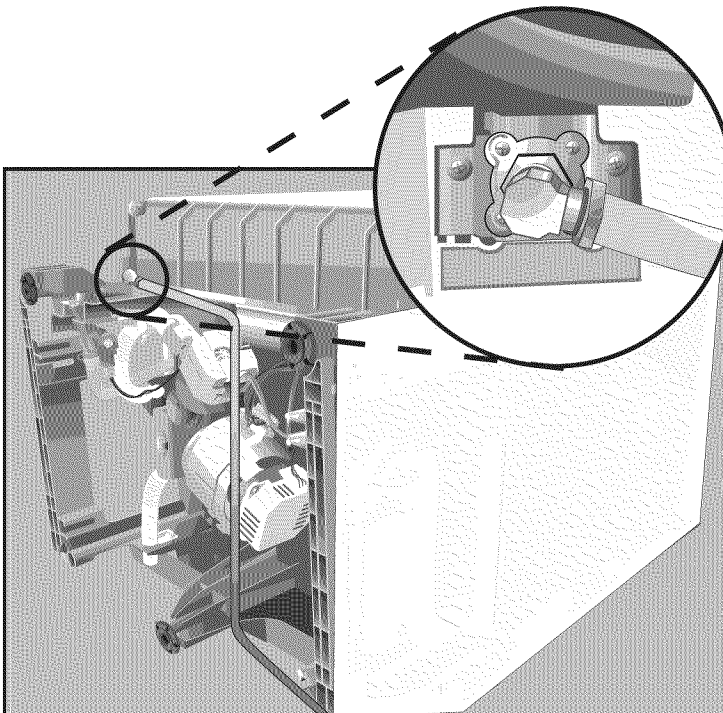
NOTE: The 90° elbow fitting is not supplied with the dishwasher and must be purchased separately (see “Materials Needed” section).

STEP 1

To prevent leaks, wrap the dishwasher elbow with plumbing tape firmly in a clockwise direction twice. Inspect the elbow carefully for any breaks before you attach it to the water supply line

STEP 2

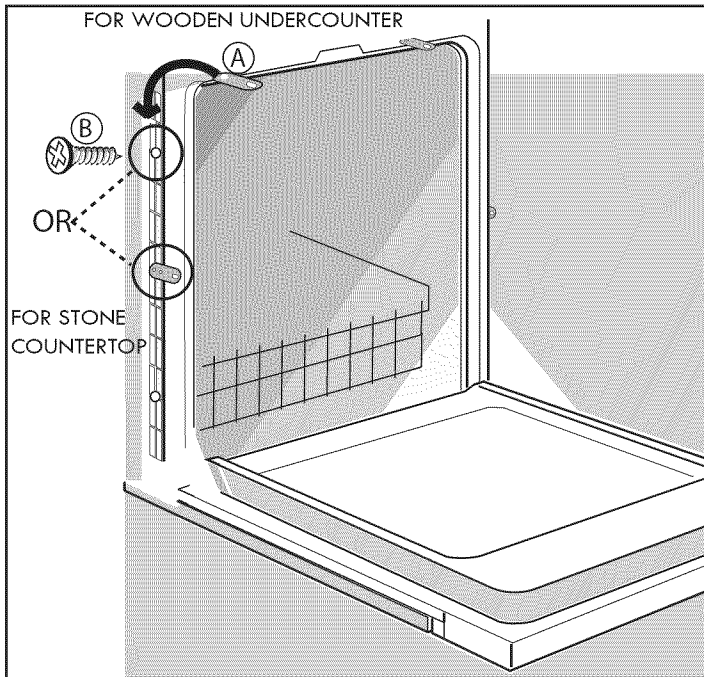
To attach the elbow to the dishwasher, align the elbow with the water supply opening of your dishwasher. To lock the elbow in place, twist the elbow clockwise and tighten until snug. When tightening the elbow, make sure that the opening of the elbow ends up facing backwards. Use an adjustable wrench to tighten. **DO NOT** overtighten!



Attach hot water line to 90° elbow and route water line underneath machine toward hot water connection. Regardless of where the electrical supply cable originates, position it 21” (54 cm) from the opening’s left side. Extend the cable 30” (77 cm) from the back wall. Use tools recommended by the hot line manufacturer.

STEP 7

Attaching the mounting brackets

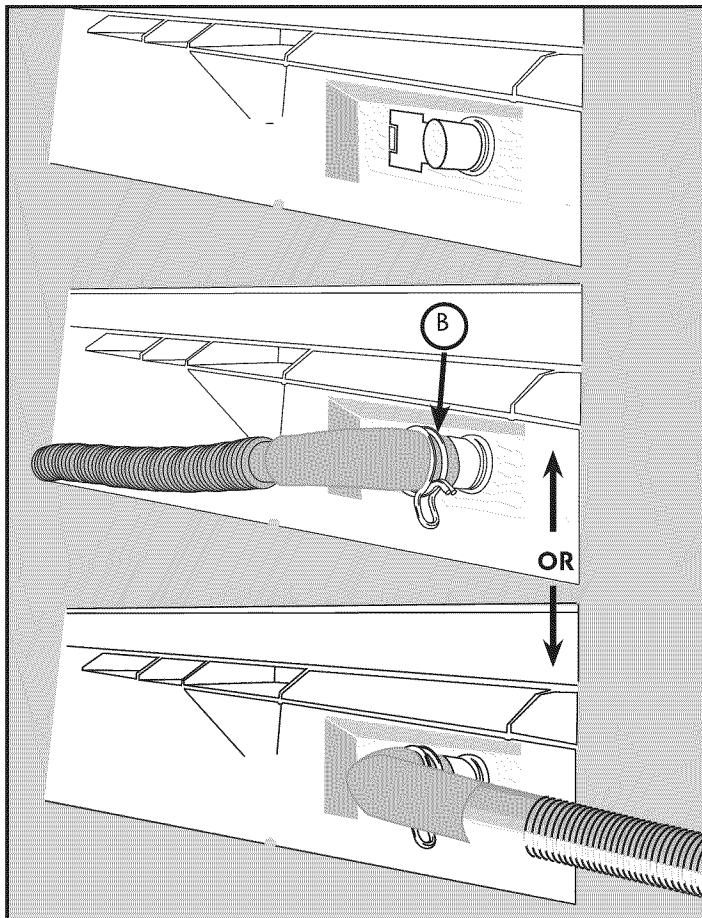


NOTE: Before installing the mounting brackets, please decide which method of securing the dishwasher is appropriate, i.e side mount or top mount. Top mount is used for countertops made of wood or other materials that can be drilled easily. Side mount is used for countertops made of marble, granite, stone or other materials that cannot be drilled easily.

If your countertop is stone, detach mounting brackets (A) from the top and position them at either points on the side. Insert screw (B) through pre-positioned brackets on each side of the unit and attach the brackets.

STEP 8

Connecting drain hose to the dishwasher



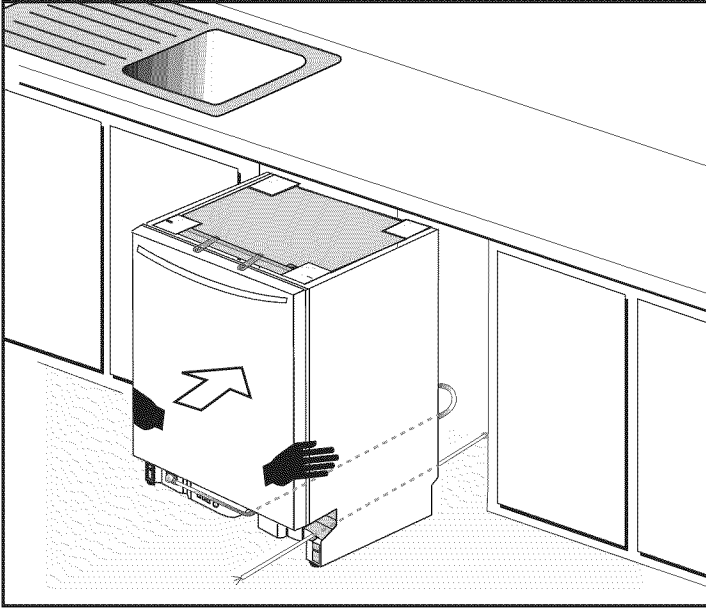
To attach the drain hose, orient it towards the direction of the sink. **IMPORTANT:** Route hose towards sink **PRIOR** to connection. **DO NOT** rotate the hose after attaching it to the dishwasher. This would cause it to crimp. Attach the drain hose elbow to the back of the unit with the **included** spring clamp (B).

NOTE: **DO NOT** use any other clamp! It could cause the hose to collapse.

Be sure you have enough drain hose to make a loop after you slide the dishwasher in the cabinet (as shown in STEP 15).

STEP 9

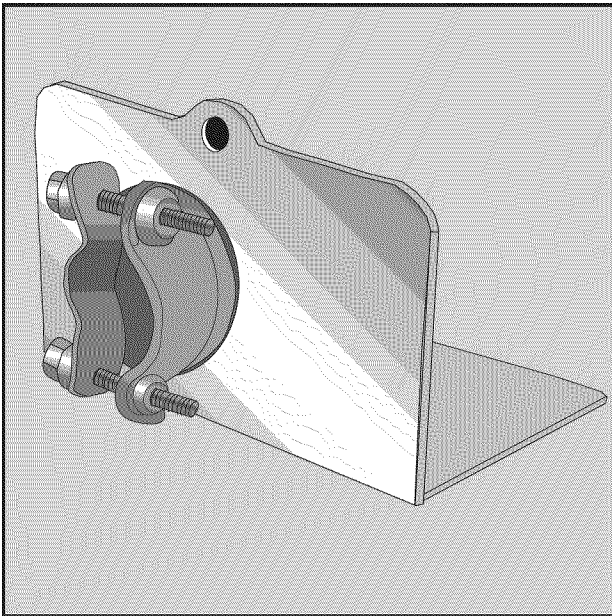
Moving dishwasher into the cabinet



IMPORTANT: Do not allow leg levelers to scratch or mark floor. Place hands where pictured to push into place. As you slide the unit in, guide the water line and drain hose toward the sink, and electric line beneath the unit. Ensure that the excess drain hose is pushed through to the cabinet housing the sink. Units are typically positioned so that the door is flush with cabinet door and drawer fronts. For optimal noise reduction, ensure side strips are in contact with cabinet.

STEP 10

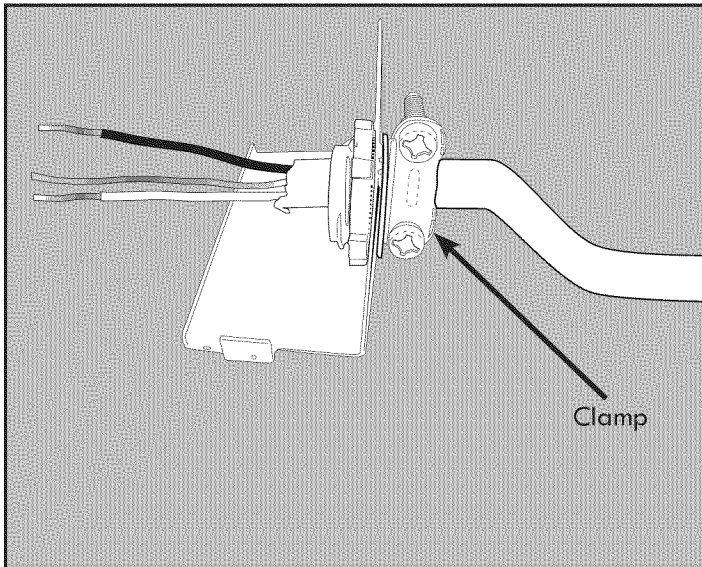
Attaching the strain relief



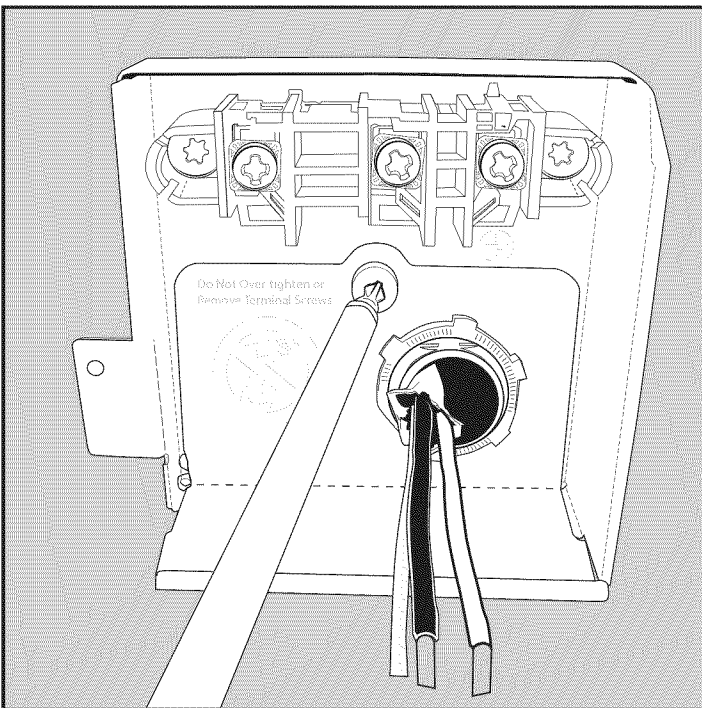
Attach the strain relief (not included) to the strain relief plate. The two screws on the back of the strain relief should be positioned as shown to prevent interferences during assembly. Tighten the strain relief lock nut to prevent the strain relief from turning.

STEP 11

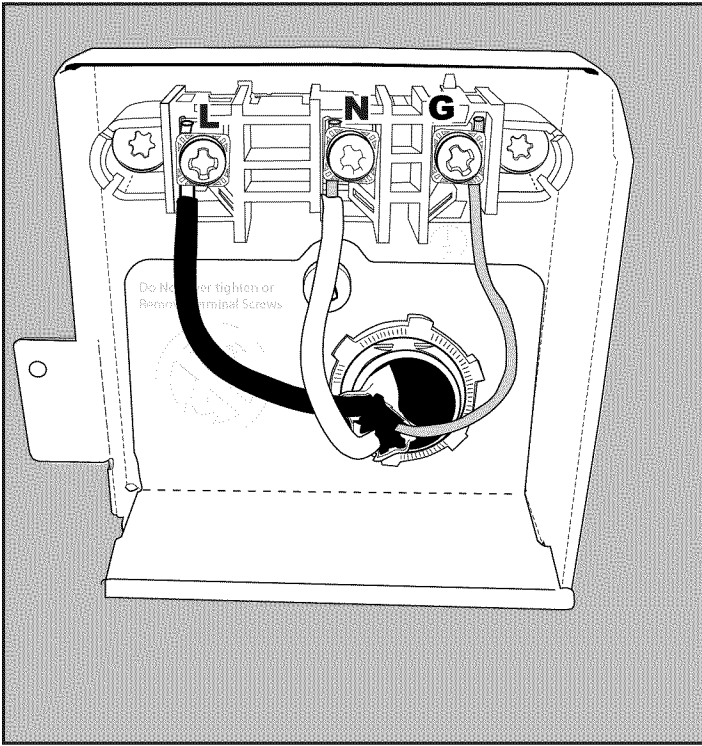
Electrical Connection



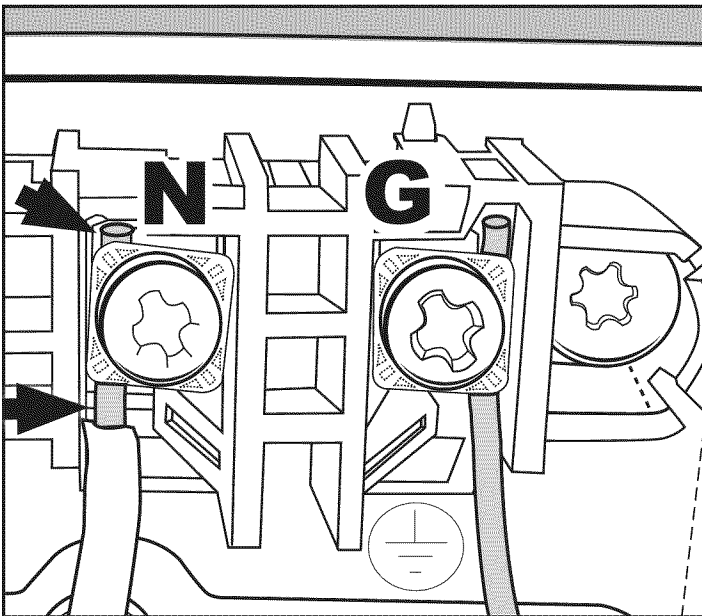
Pass wires through strain relief and plate. Leave 3 to 4 inches of insulated wire extending through the strain relief plate. Tighten clamp around wires, oriented as shown. Bending the electrical cable as shown will ease installation of the strain relief plate.



Place the assembled strain relief plate back into the junction box and re-attach the screw. Make sure the tab on the right side of the strain relief plate is outside the junction box as you slide it into place.



Note: Do not loosen or remove terminal screws! Damage may occur. Bend the wires so the exposed leads can reach the appropriate contacts. Insert the black (hot) wire into the left opening on the terminal strip marked "L", the white (neutral) wire in the middle opening of the terminal strip marked "N", and the bare copper or green (ground) wire into the right opening of the terminal strip marked "G".



Make sure that the exposed (non-insulated) portion of each stripped wire shows above and below the terminal screw. Securely tighten the terminal screws, but **do not over-tighten** or damage may occur.

STEP 12

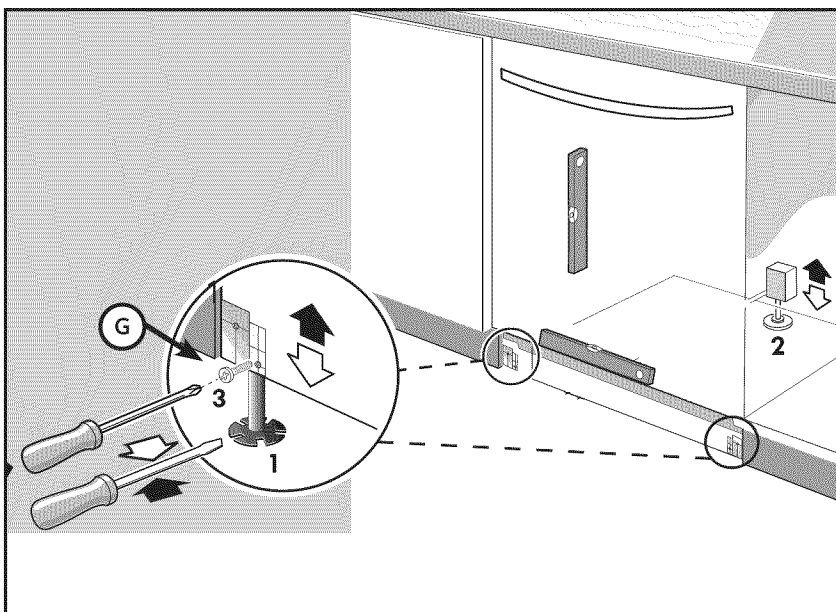
Restoring the junction box cover



Replace junction box cover. Make sure the cover is seated behind the front lip of the strain relief plate. Attach the cover with the screw (part F) from the installation kit.

STEP 13

Adjusting the leg levelers



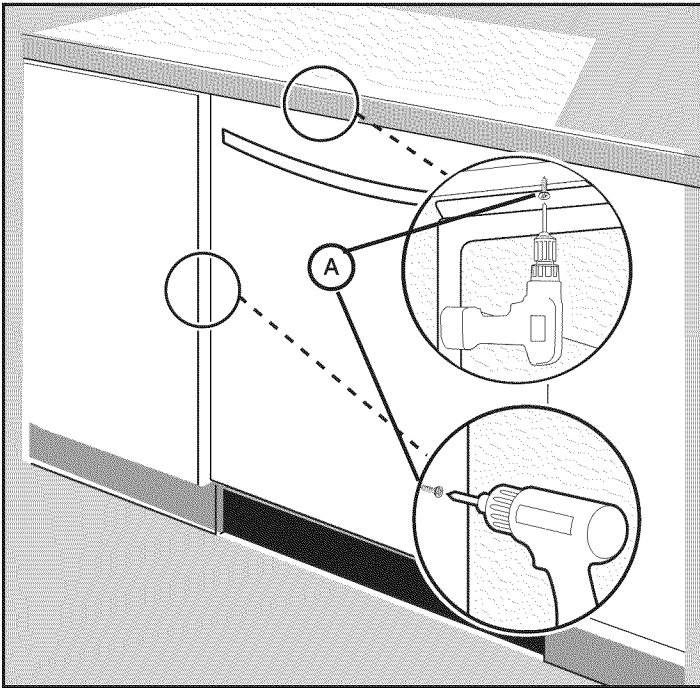
NOTE: If the dishwasher is not level, it may not operate properly and could cause leaks. Check that the leveling legs are firmly against the floor.

- Place a level against the front panel.
- Check that the dishwasher is plumb. If needed, adjust leg levelers until dishwasher is plumb.
- Open the door.
- Place the level inside against the top of the tub.
- Check that dishwasher is level from side to side. Adjust the leg levelers as necessary

1. Level the dishwasher horizontally by turning feet clockwise to raise or counter-clockwise to lower front of unit.
2. Level vertically by turning center rear leg leveler to raise or lower the back.
3. Pull the dishwasher out of the cabinet.
4. Insert rear leg leveler locking screw (part G). (See #2 in the figure to the left)
5. Slide dishwasher back into the cabinet. Insert front leg leveler locking screws (part G) as shown to the left.

STEP 14

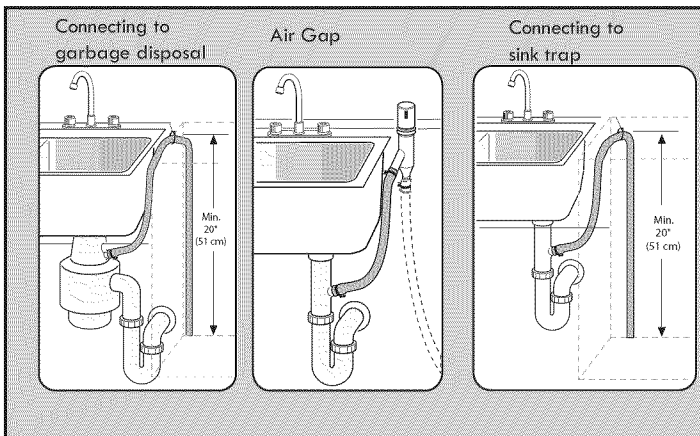
Attaching the mounting brackets



Insert screws (part A) through pre-positioned mounting brackets and attach unit to enclosure (pre-drilling of holes recommended).

STEP 15

Drain Hose Connection

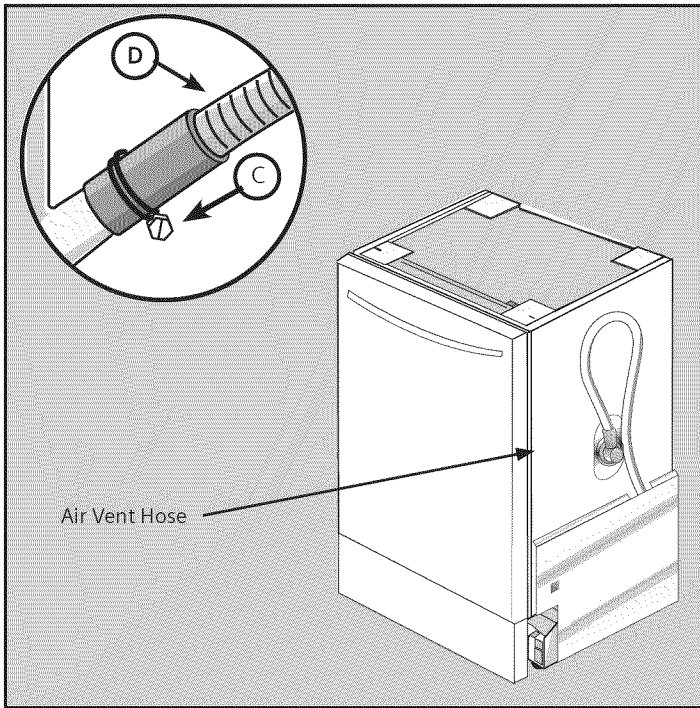


Route drain hose to household plumbing.

Note: Plumbing installations will vary - refer to local codes.

Always include a Loop in the Drain Hose for proper function - Height of loop - [Min. 20"(51cm) - Max. 43"(109cm)] / Length of Drain Hose included on Dishwasher 92" (233 cm).

When adding an extension to the Drain Hose the maximum length for proper Dishwasher function is 168" (426 cm)



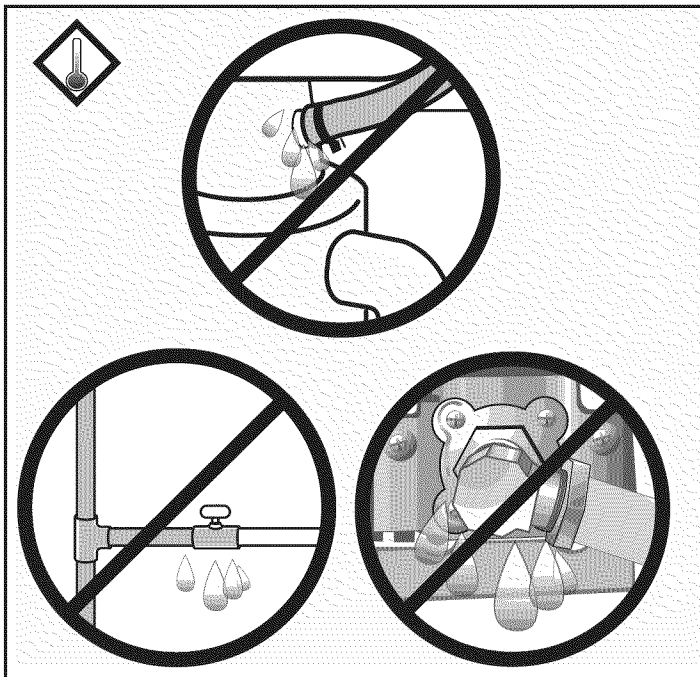
Attach drain hose (part D) to plumbing with screw clamp (part C) and tighten. Do not make any connections to the air vent hose.

Do not cut drain hose. Coil excess drain hose safely inside cabinet behind unit.

NOTE: When connecting drain hose to disposal, make sure that disposal knock out plug is removed.

STEP 16

Attaching water line and checking for leaks



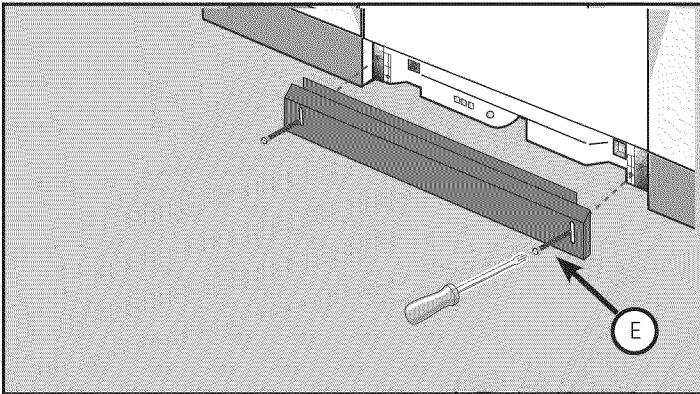
Attach water line to incoming hot water shut off valve.

- Turn on water and check for leaks.
- Turn power back on at fuse box.
- Start washer, listen for water and pump for water distribution. Press Cancel/Reset to drain and check for leaks.

Check for leaks at the drain hose connection, the water connection under the sink as well as the water line connection under the dishwasher.

STEP 17

Installing the toe panel



Attach the metal toe panel with screws (Part E) so it is flush with the floor. Your installation is now complete.

STEP 18

Check operation

- Turn the fuse back on.
- Read the Use and Care Manual that came with your dishwasher.
- Start the dishwasher and allow it to complete the shortest wash cycle.
- Check that the dishwasher is functioning properly and water is coming into the unit.
- If not, please refer to the “Dishwasher does not operate” section below.

If dishwasher does not operate:

Try one of the solutions suggested below before setting up a service call.

- Has the circuit breaker tripped or the house fuse blown?
- Is the door closed tightly and latched?
- Has the cycle been set correctly to start the dishwasher?
- Is the water turned on?

If the suggestions above do not fix the problem, please call 1-800-4MY-HOME.

