

Use & Care Guide
Manual de Uso y Cuidado
Guide d'Utilisation et d'Entretien
English / Español / Français

Models/Modelos/Modèles: 630.1395*

Kenmore Elite®

Dishwasher

Lavadora de Platos

Lave Vaisselle

* = color number, número de color, le numéro de la couleur

P/N 9000501545 Rev. A

Sears Brands Management Corporation
Hoffman Estates, IL 60179 U.S.A.

www.kenmore.com
www.sears.com

Sears Canada Inc.
Toronto, Ontario, Canada M5B 2B8
www.sears.ca



TABLE OF CONTENTS

Warranty Information.....	3
Important Safety Instructions.....	4-5
Dishwasher Components.....	6
Dishwasher Features.....	7
Dishware Materials.....	7
Loading the Dishwasher.....	8
Loading the Silverware.....	9
Rack Features and Accessories.....	10
Detergent.....	11
Rinse Agent.....	12
Dishwasher Cycles and Options.....	13-14
Operating the Dishwasher.....	15
Care and Maintenance.....	16-17
Troubleshooting.....	18-20

PRODUCT RECORD

In the space below, record the date of purchase, model, and serial number of your product. You will find the model and serial number printed on an identification label inside the dishwasher. Have this information available whenever you contact Sears about your product.

Model No. _____

Date of Purchase _____

Serial No. _____

Save this information and your sales receipt for future reference!

PROTECTION AGREEMENTS

Master Protection Agreements

Congratulations on making a smart purchase. Your new Kenmore® product is designed and manufactured for years of dependable operation. But like all products, it may require preventive maintenance or repair from time to time. That's when having a Master Protection Agreement can save your money and aggravation. The Master Protection Agreement also helps extend the life of your new product. Here's what the Agreement* includes:

Parts and labor needed to help keep products operating properly under normal use, not just defects.

Our coverage goes well beyond the product warranty. No deductible, no functional failure excluded from coverage - real protection.

- Expert service by a force of more than 10,000 authorized Sears service technicians, which means someone you can trust will be working on your product.
- Unlimited service calls and nationwide service, as often as you want us, whenever you want us.
- "No-lemon" guarantee - replacement of your covered product if four or more product failures occur within twelve months.
- Product replacement if your covered product can't be fixed.
- Annual Preventive Maintenance Check at your request - no extra charge,
- Fast help by phone - we call it Rapid Resolution. Phone support from a Sears representative on all products, Think of us as a "talking owner's manual."
- Power surge protection against electrical damage due to power fluctuations.
- \$250 food loss protection annually for any food spoilage that is the result of mechanical failure of any covered refrigerator or freezer,
- Rental reimbursement if repair of your covered product takes longer than promised.
- 10% discount off the regular price of any non-covered repair service and related installed parts Once you purchase the Agreement, a simple phone call is all that it takes for you to schedule service. You can call anytime day or night or schedule a service appointment online.

The Master Protection Agreement is a risk-free purchase. If you cancel for any reason during the product warranty period, we will provide a full refund, or a prorated refund anytime after the product warranty period expires.

Purchase your Master Protection Agreement today!

Some limitations and exclusions apply.

For prices and additional information in the U.S.A. call 1-800-827-6655.

•Coverage in Canada varies on some items.

For full details call Sears Canada at 1-800-361-6665.

Sears Installation Service

For Sears professional installation of home appliances, garage door openers, water heaters, and other major home items, in the U.S.A. or Canada call

1-800-4-MY-HOME®.

WARRANTY INFORMATION

Kenmore Elite Limited Warranty

When this appliance is installed, operated and maintained according to all supplied instructions, the following warranty coverage applies. To arrange for warranty service, call 1-800-4-MY-HOME® (1-800-469-4663).

- For two years from the date of purchase, any part of the dishwasher that fails due to defective materials or workmanship will be replaced free of charge. After the first year from purchase date, the customer assumes any labor costs associated with replacement of these parts.
- For five years from the date of purchase, any part of the upper or lower dish rack that rusts due to defective materials or workmanship will be replaced free of charge. After the first year from purchase date, the customer assumes any labor costs associated with dish rack replacement.
- If a leak ever occurs as a result of rust-through of the stainless steel tub or inner door panel, the tub or panel will be replaced free of charge.

This warranty applies for only 90 days from the date of purchase if this appliance is ever used for other than private family purposes.

This warranty covers only defects in material and workmanship, and will NOT pay for:

1. Expendable items that can wear out from normal use, including but not limited to filters, belts, light bulbs, and bags.
2. A service technician to instruct the user in correct product installation, operation or maintenance.
3. A service technician to clean or maintain this product.

4. Damage to or failure of this product if it is not installed, operated or maintained according to the all instructions supplied with the product.
5. Damage to or failure of this product resulting from accident, abuse, misuse or use for other than its intended purpose.
6. Damage to or failure of this product caused by the use of detergents, cleaners, chemicals or utensils other than those recommended in all instructions supplied with the product.
7. Damage to or failure of parts or systems resulting from unauthorized modifications made to this product.

Disclaimer of implied warranties; limitation of remedies

Customer's sole and exclusive remedy under this limited warranty shall be product repair as provided herein. Implied warranties, including warranties of merchantability or fitness for a particular purpose, are limited to one year or the shortest period allowed by law. Sears shall not be liable for incidental or consequential damages. Some states and provinces do not allow the exclusion or limitation of incidental or consequential damages, or limitation on the duration of implied warranties of merchantability or fitness, so these exclusions or limitations may not apply to you.

This warranty applies only while this appliance is used in the United States or Canada.

This warranty gives you specific legal rights, and you may also have other rights which vary from state to state.

Sears Brands Management Corporation, Hoffman Estates, IL 60179
Sears Canada Inc., Toronto, Ontario, Canada M5B 2B8



SAFETY MESSAGES - Please READ and SAVE this information

We have provided many important safety messages in this manual and on your appliance. Always read and obey all safety messages.



WARNING

- Misuse of the dishwasher can result in serious injury or death. Do not use the dishwasher in any way not covered in this manual or for any purpose other than those explained in the following pages.
- Severe product damage and/or injury could result from the use of unqualified service technicians or non-original replacement parts. All repairs must be performed by a qualified service technician using only original equipment factory replacement parts.
- Electrical shock or fire could result if the electrical supply for the dishwasher covered in this manual is incorrectly installed or if the dishwasher has been improperly grounded. Do not use the dishwasher covered in this manual unless you are certain the electrical supply has been correctly installed or the dishwasher has been properly grounded.
- Never use harsh chemicals to clean your dishwasher. Some chloride-containing products can damage your dishwasher and may present health hazards!

NOTICE

- It is highly recommended for the end user to become familiar with the procedure to shut off the incoming water supply and the procedure to shut off the incoming power supply. See the installation Instructions or contact your installer for more information.
- Never use steam cleaning products to clean your dishwasher. The manufacturer will not be liable for the possible damages or consequences.



IMPORTANT SAFETY INSTRUCTIONS



Please **READ** and **SAVE** this information!

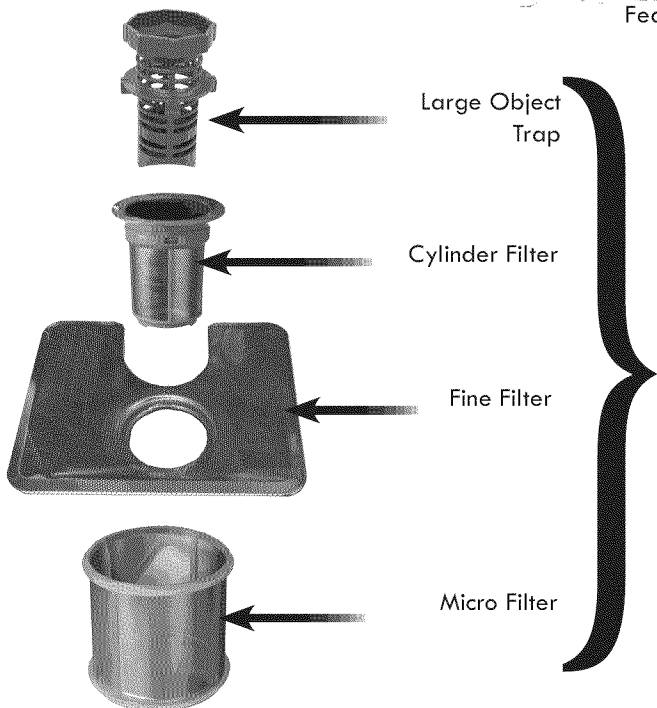
WARNING: To reduce the risk of fire, electrical shock, or serious injury, observe the following:

- This dishwasher is provided with Installation Instructions and this Use and Care Manual. Read and understand all instructions before installing or using the dishwasher.
- This appliance must be grounded to a metal, permanent wiring system, or an equipment grounding conductor must be run with the circuit conductors and connected to the equipment grounding terminal or lead on the dishwasher. See the Installation Instructions included with this dishwasher for more information on electrical requirements.
- Use this dishwasher only for its intended function, which is the washing of household dishware and kitchenware.
- Use only detergents or rinsing agents recommended for use in a dishwasher, and keep them out of the reach of children.
- When loading items to be washed:
 - a. Locate sharp items so that they are not likely to damage the door seal.
 - b. Load knives and other sharp utensils with their **HANDLES UP** to reduce the risk of cut-type injuries.
 - c. Do not wash plastic items unless they are marked “dishwasher safe” or the equivalent. For plastic items not so marked, check the manufacturer’s recommendations.
 - d. Do not operate your dishwasher unless all enclosure Panels are in place.
 - e. Do not tamper with or override controls and interlocks
- Do not abuse, sit on, or stand on the door or dish racks of the dishwasher.
- To reduce the risk of injury, do not allow children to play in or on the dishwasher.
- When children become old enough to operate the appliance, it is the legal responsibility of the parents or legal guardians to ensure that they are instructed in safe practices by qualified persons.
- Under certain conditions, hydrogen gas may be produced in a hot water system that has not been used for two weeks or more. Hydrogen gas is explosive. Before using a dishwasher that is connected to a hot water system that has been unused for two weeks or longer, turn on all hot water faucets and let the water flow from each for several minutes, open windows to ventilate the house. This will release any accumulated hydrogen gas. As the gas is explosive, do not smoke or use an open flame during this time.
- Remove the dishwasher door to the washing compartment when removing an old dishwasher from service or discarding.
- To avoid floor damage and possible mold growth, do not allow wet areas to remain around or under the dishwasher.
- Protect your dishwasher from the elements. Protect against freezing to avoid possible damage to the fill valve. Damage caused by freezing is not covered by the warranty.

DISHWASHER COMPONENTS



Features vary by model



1800-4-MY-HOME			ENERGY VERIFIED BY Énergétique Vérifié par	
MOD 630.138E9010		C US LISTED (LISTE)	Vérifié par	
SN11X5B			DISHWASHER (LAVE-VAISSELLE)	
~ 120 V, 12.0 A, 60 Hz 0.2 kW~L* 1.2 kW/	SER 100010089193000015		E71378	EP3132762 (RÉSIDENTIEL)

FILTER SYSTEM

DISHWASHER FEATURES

QuietGuard™ Supreme: A two-pump motor system, the Suspended Motor and triple insulation make this dishwasher one of the quietest in North America.

Stainless Steel Giant Tub: A rust-free, hygienic interior surface.

Nylon Coated Racks: Greatly reduces cuts and nicks. Racks carry a five year warranty.

Concealed Heating Element: Heats water up to a sanitizing temperature.

Condensation Drying: A high temperature final rinse, a low temperature stainless steel tub, and the sheeting action of a rinse agent result in drying that is hygienic, energy efficient, and economical.

SmartSensor: Checks water condition and decides whether a second fresh water fill is necessary.

Triple Filtration System: Multiple filters ensure distribution of clean water and protect the main pump and the drain pump from foreign material.

Water Shut-Off: A safety feature that stops the flow of incoming water, if water is detected in the base of the dishwasher.

Upper Rack & Lower Rack Flip Tines: Increase the rack flexibility to accommodate larger/taller items.

Dry Assist: Raises the temperature of the rinse water and increases the drying time which will result in improved drying.

Adjustable Racks: The top rack can be raised or lowered to accommodate tall items in the top and bottom racks.

SmartWash™ HE: Takes the guesswork out of cycle selection. The sensors in the dishwasher automatically adjust the cycle length, temperature and water changes based on the soil load.

TurboClean™: Tackles hard-to-clean dishes in the lower rack, eliminating the need to soak and scrub heavily soiled dishes.

AquaGuard™ Plus: Leak protection system that cuts off the water supply in the event of a leak.

DISHWASHER MATERIALS

NOTE: Before using your dishwasher for the first time, check the information in this section. Some items are not dishwasher safe and should be handwashed; others require special loading and care.

RECOMMENDED

Aluminum: Colored anodized aluminum may fade over time. Minerals in your water may cause the aluminum to darken or spot. This can usually be removed with a soap-filled steel wool pad.

China, Crystal, Stoneware: Some hand-painted utensils may discolor, fade, or spot. Hand-wash these utensils. Position fragile glassware so that it will not topple over or come in contact with other utensils during the wash cycle.

Glass: Milk glass may discolor or become yellow.

Non-stick Coatings: Apply a light coating of vegetable oil to non-stick surfaces after drying.

Plastics: Make sure the plasticware is dishwasher safe.

Stainless Steel, Sterling Silver, and Silver Plates: Load these utensils in a way that they do not come in contact with other metals.

NOT RECOMMENDED

Acrylic: Craziing (small cracks throughout the acrylic) may occur.

Adhesive-Joined Pieces: Adhesives that join materials such as plastic, wood, bone, steel copper, tin, etc. may loosen.

Bone-Handled Utensils: Handles may separate.

Iron, Cast Iron: Iron will rust. Hand-wash and dry immediately.

Non-Dishware Items: Your dishwasher is intended for use in cleaning ONLY standard household dishware and kitchenware.

Pewter, Brass, Bronze: Pewter will tarnish. Hand-wash and dry immediately.

Tin: Tin will stain. Hand-wash and dry immediately.

Wood: Wooden bowls, wooden utensils, and utensils with wooden handles can crack, warp, and lose their finish.

Gold: Gold will discolor.

LOADING THE DISHWASHER

Do not pre-wash items that have loosely attached soiling. Remove large food particles, bones, seeds, toothpicks, and excessive grease. Items having burned-on, baked-on or starchy soils may require pre-treatment.

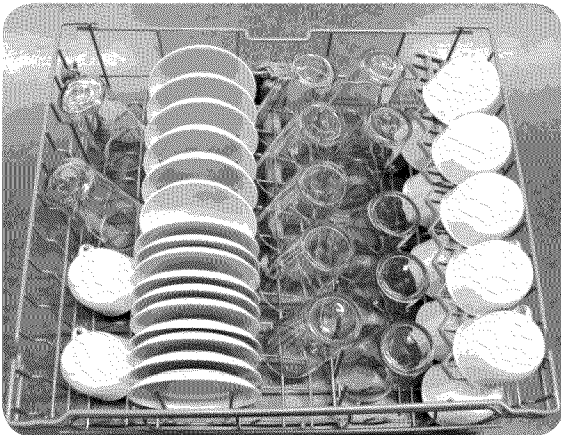
Refer to the *Dishware Materials* section for more information about dishware suitability.

- Load only dishwasher-safe items into the dishwasher.
- Load dishes in the dishwasher racks so that the insides of bowls, pots and pans are facing the spray arms.
- Avoid nesting and contact points between dishes.
- Separate items of dissimilar metals.
- Load dishes and glasses at an angle to avoid puddling and improve drying performance.

NOTICE

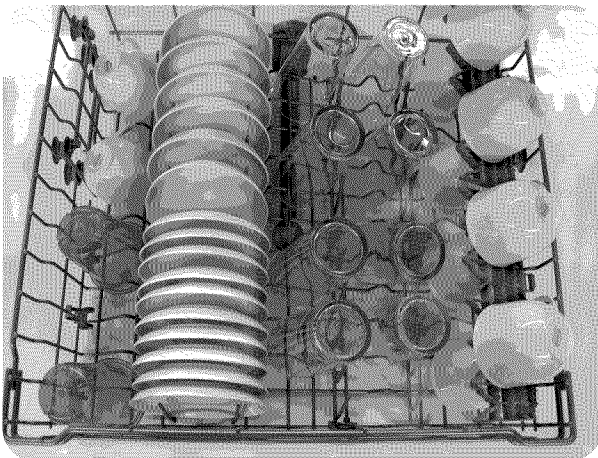
To avoid dishwasher damage, do not load the dishwasher with paper products, plastic bags, packing materials, or anything other than normal, dishwasher-safe dishware and kitchenware.

TOP RACK - SUGGESTED LOADING PATTERN



NOTE: Load cups and glasses between tines. Loading over the tines can cause breakage or water spots.

TOP RACK - ADDITIONAL LOADING PATTERN



Loading the Top Rack

NOTE: Ensure items do not protrude through the bottom of the racks and block the spray arms.

NOTE: When pushing the top rack into the dishwasher, push it until it stops against the back of the tub so the top rack spray arm will connect to the water supply at the back of the tub. Do not push the top rack with the door.

Loading the Bottom Rack

Place large items in the bottom rack. Load pots, pans and bowls with the dirty surfaces facing the spray arms.

Unloading Sequence

- Unload the bottom rack first.
- Unload the silverware basket.
- Unload the top rack.

NOTE: Do not use rubber bands (to hold items in place in the racks) or any other after market parts in your dishwasher. The use of such items could potentially damage the drain pump.

BOTTOM RACK - SUGGESTED LOADING PATTERN



BOTTOM RACK - ADDITIONAL LOADING PATTERN



LOADING THE SILVERWARE

NOTE: The silverware basket tops can be folded up to accommodate large or oddly-shaped items.

With the silverware basket tops down, load the silverware basket following the patterns suggested below.

Place knives and sharp utensils with their handles up, and forks and spoons with their handles down. If large or oddly-shaped items are to be loaded into the silverware basket with the tops up, load the items so that they do not nest together.

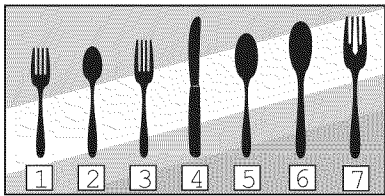
For best results, use the suggested loading patterns shown below.



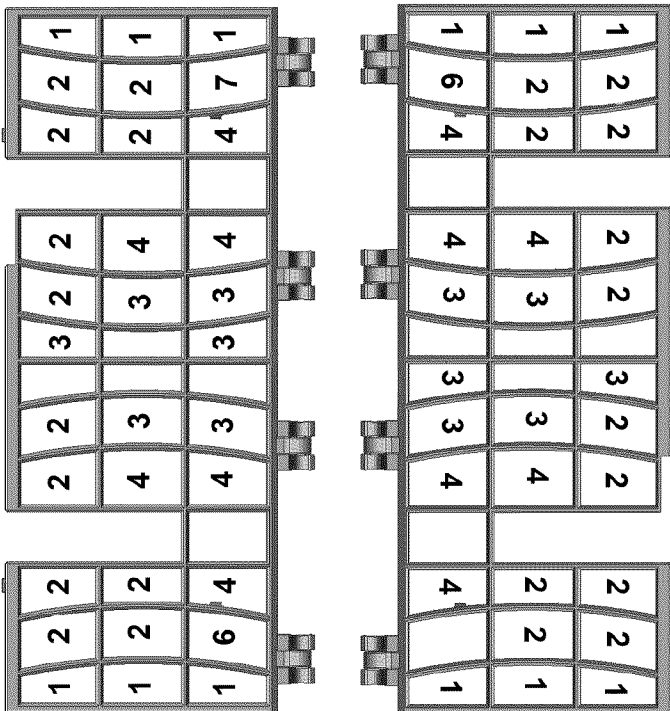
WARNING

The sharp points and edges of knives and other sharp utensils can cause serious injuries. Load knives and other sharp utensils with edges down. Do not allow children to handle or play near knives and sharp utensils.

THE FLEXIBLE SILVERWARE BASKET

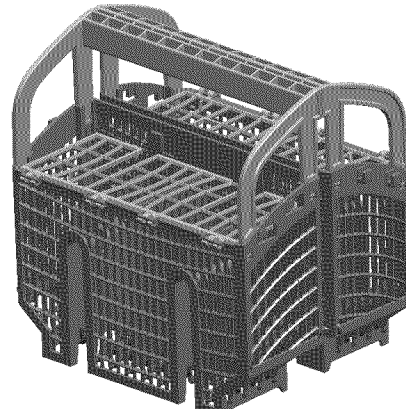


- | | | |
|----------------|-----------------|-------------------|
| 1 - Salad Fork | 3 - Dinner Fork | 5 - Tablespoon |
| 2 - Teaspoon | 4 - Knife | 6 - Serving Spoon |
| | | 7 - Serving Fork |



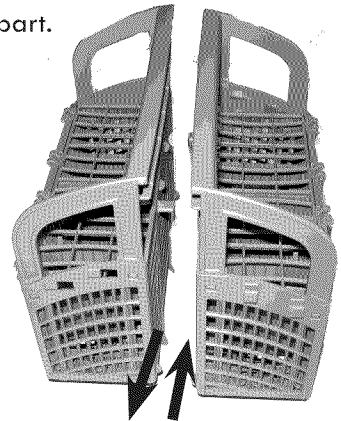
This basket splits along its length, resulting in two halves that may be placed in a variety of positions in the lower rack, greatly increasing the lower rack's loading versatility.

The basket fits together sideways or back to back as shown below.

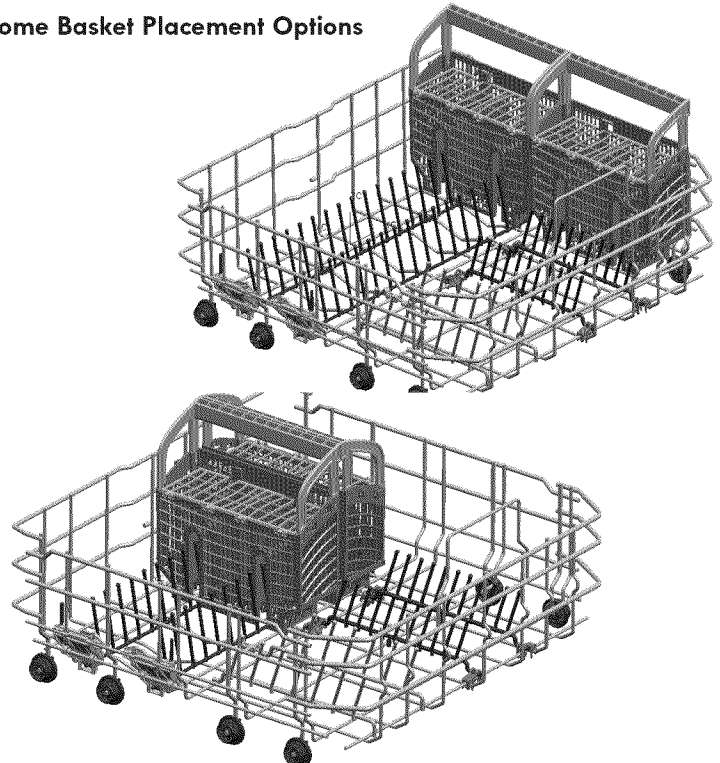


To split the Flexible Silverware Basket:

- Grasp the basket and slide the two halves in opposite directions, as shown.
- Pull the two halves apart.



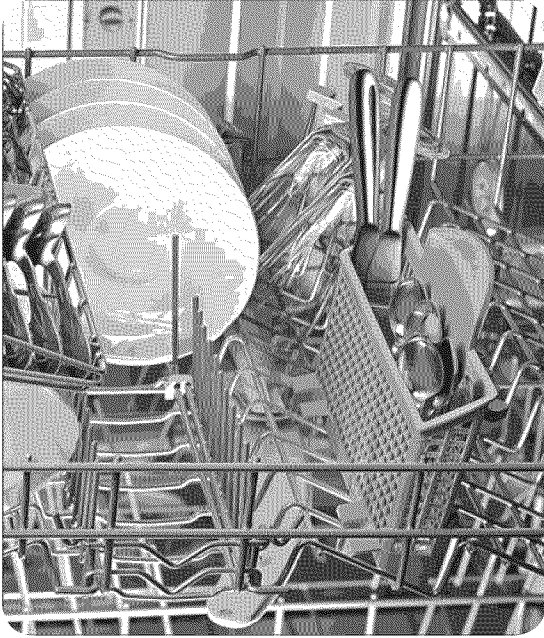
Some Basket Placement Options



RACK FEATURES & ACCESSORIES

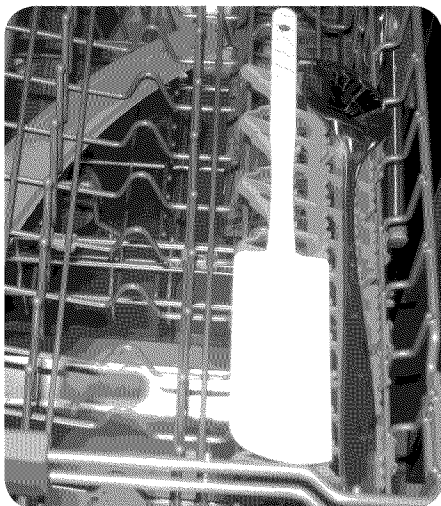
UTILITY BASKET

In addition to the flexible silverware basket, your dishwasher comes with an additional utility basket in which to place extra flatware.



CUP SHELVES

Cup shelves are used to hold cups and other large items such as ladles and serving spoons. To use the cup shelves, fold them downwards so that they are positioned as shown below. Place cups upside down on the shelves.

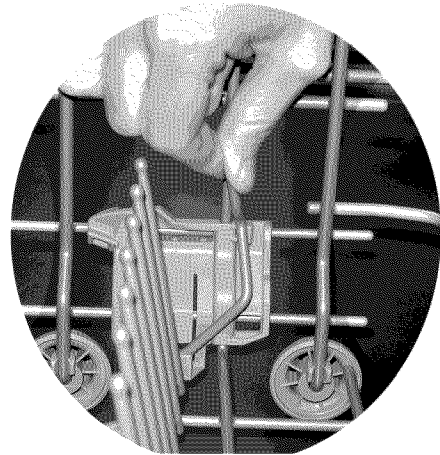


FLIP TINES

The racks consist of tines that you can fold down or raise, depending on what you need to load in the rack.

To fold down:

- Grasp the tine near the locking mechanism.
- Release from notch.
- Push downwards.



TOP RACK HEIGHT ADJUSTMENT

The top rack can be raised or lowered to accommodate large items in either rack.

NOTE: Before you push the top rack into the dishwasher, ensure that the rack height is the same on both sides.

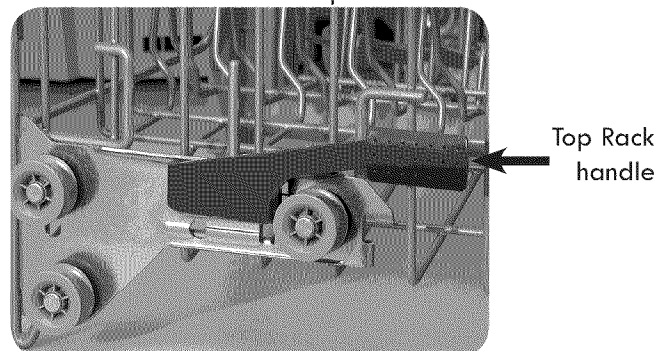
Otherwise, the dishwasher door will not shut and the top rack spray arm will not connect to the water circuit.

To raise the top rack:

- Pull the empty top rack out of the dishwasher until it stops.
- Grasp the top of the rack above the Automatic Height Adjustable Top Rack handles and pull it upward until the handles lock the rack into position (you do not need to press the handles in order to raise the rack).

To lower the top rack:

- Pull the top rack out of the dishwasher until it stops.
- Press the Automatic height adjustable Top Rack handles inward and let the rack drop.



DETERGENT

Detergent

Use only detergent specifically designed for dishwashers. For best results, use fresh powdered dishwashing detergent.

NOTICE

To avoid dishwasher damage, do not use hand dishwashing products in your dishwasher.

To avoid dishwasher damage, do not use too much detergent if your water is soft, it may cause etching in glassware.

The dishwasher uses less water so you need to use less detergent. With soft water, 1 tbsp. (15ml) of detergent will clean most loads. The detergent dispenser cup has lines that measure detergent to:

- 1 tablespoon (15ml)
- 1.75 tablespoons (25ml)

3 tablespoons (45ml) of detergent will completely fill the detergent dispenser cup.

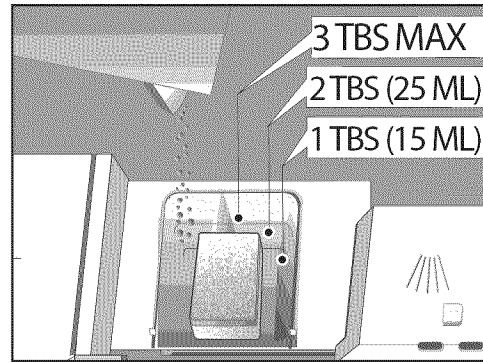
NOTE: If you do not know the hardness of your water supply, use 1Tbsp. (15ml) of detergent. Increase the amount, if necessary, to the least amount required to get your kitchenware clean.

Use the measuring lines in the detergent dispenser cup to measure the amount of detergent recommended in the Table.

Recommended Detergent Amount				
		Water Type		
Wash Cycle	Unit	Hard 7.0 gr/gal or more	Medium 7.0-1.0 gr/ gal	Soft less than 1.0 gr/gal
SmartWash™ HE	Tbsp ml	3 25-45	3 45	1-1.75 15-25
Pots & Pans	Tbsp ml	3 45	3 45	1.75-3 25-45
Normal Wash	Tbsp ml	1.75-3 25-45	1.75 25	1-1.75 15-25
China Gentle	Tbsp ml	1.75 25	1-1.75 15-25	1 15
Fast Wash	Tbsp ml	1.75 25	1-1.75 15-25	1 15

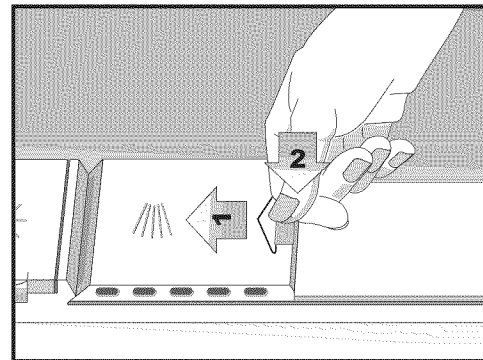
NOTE: When using gel packs, tablets or other dishwasher detergents, refer to the manufacturers instructions (normally 1 tab/dose).

Adding Detergent



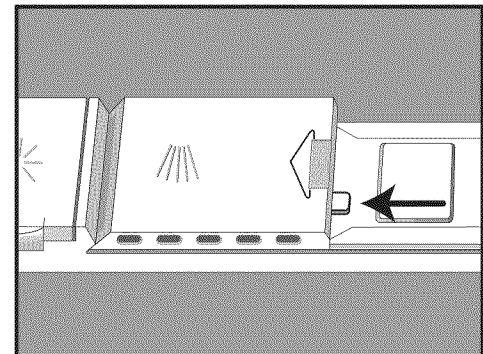
- Use fresh powdered detergent for best results.
- 1 tablespoon will clean most loads.
- Do not use more than 3 tablespoons. Do not overfill.
- When using detergent tabs, lay them flat to avoid contact with the cover.

TO CLOSE



- Slide cover fully left
- Push rear end of the cover down firmly until you hear a *CLICK*

TO OPEN




- To open the cover, push the blue button, at the rear end of the cover, inwards. (NOT DOWN)

RINSE AGENT

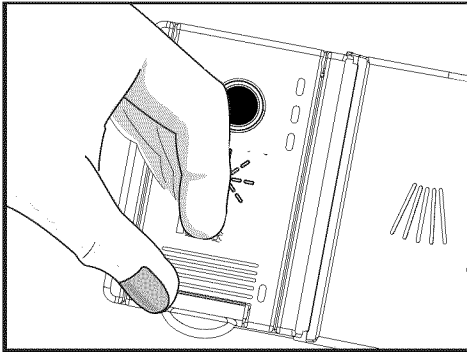
Rinse Agent

To achieve proper drying, always use a liquid rinse agent, even if your detergent contains a rinse agent or drying additive.

NOTE: The dishwasher indicates low rinse agent by showing the  symbol in the countdown display. Units without a display have a Rinse Agent LED that illuminates when the Rinse Agent is low.

NOTE: The LED will not illuminate if there is enough rinse agent in the dishwasher.

Adding Rinse Agent



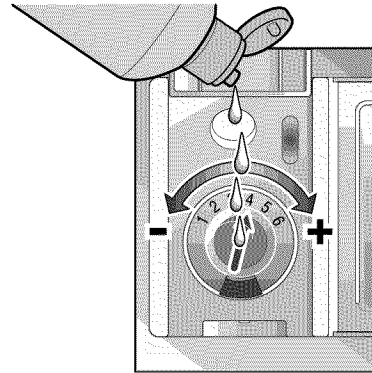
- Always use Rinse Agent even if your detergent contains rinse agent.
- Add rinse agent when the LED on the control panel illuminates.

Filling the dispenser

- Make sure the dishwasher door is completely open.
- To fill the dispenser with rinse agent, simply pour on the “arrow” as shown below until the rinse agent is visibly full.

Wipe up any excess rinse agent that puddles when the dispenser reservoir is full to prevent sudsing.

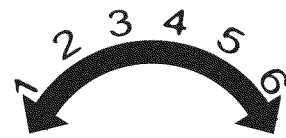
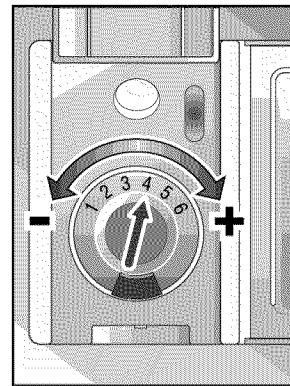
After filling the rinse agent dispenser, the indicator light will go out in a few minutes after the dishwasher door is shut.



Rinse Agent Setting

The default factory setting for the rinse agent is set between 3 and 4.

- If you notice spots on glasses, it means you need more rinse agent.
- If you notice streaks, it means you need less rinse agent.



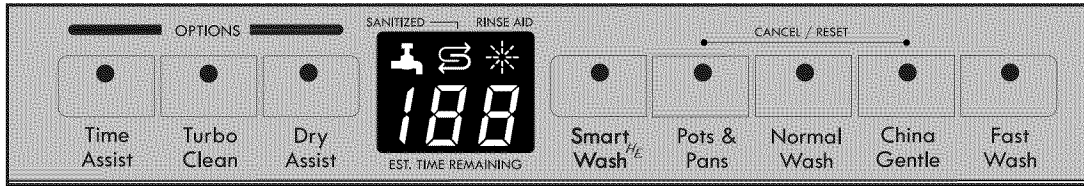
To Decrease
Streaks on glasses

To Decrease
Spots on glasses

To adjust the amount of rinse agent dispensed:

- Turn the dial (in the shape of an arrow) until you reach the desired level between 1 and 6.

DISHWASHER CYCLES AND OPTIONS



WASH CYCLES

CYCLE	SOIL LEVEL	*TIME (mins.) Without options		Water Usage	
		Typical	Maximum	Gallons	Liters
SmartWash™ HE Takes the guesswork out of cycle selection. The sensors in the dishwasher automatically adjust the cycle length, temperature and water changes based on the soil load. This cycle contains additional sensor decisions when compared to other cycles.	Light - Medium	95	100	2.2	8.4
	Heavy	115	119	5.8	21.9
Pots & Pans * Cleans items having baked-on or hard dried food soils. These items may require soaking or hand scouring.	Light - Medium	120	125	6.2	23.6
	Heavy	130	135	7.3	27.8
Normal Wash Thoroughly cleans normal loads having loosely attached normal soiling.	Light - Medium	90	95	1.8	6.9
	Heavy	140	155	7.6	28.8
China Gentle Designed to be used with your fragile china and glassware, allowing you to get it perfectly clean without the hassle of hand washing or worry of damage in the dishwasher.	Light - Medium	80	85	3	11.5
	Heavy	90	100	4.7	17.7
Fast Wash Cleans lightly soiled dishes and reduces overall wash time. Use this cycle to clean glasses and dessert dishes that may need to be re-used at the same event	All Soil Levels	59	59	4.4	16.7

Adding options will increase or decrease the cycle time. See “Options” information section.

* The cycle is NSF certified

NSF INFORMATION

A dishwasher or dishwasher cycle that is certified by the NSF international meets very strict requirements of wash time and water temperature to ensure dishware and kitchenware sanitization. These requirements are explained in the document NSF/ANSI 184, Residential Dishwashers. More information on NSF Certification is available at the NSF website,

<http://www.nsfconsumer.org/home/appliances.asp>.

Your dishwasher is NSF certified. The dishwasher cycles that are NSF certified are shown in the chart above. When these cycles are complete, the “Sanitized” indicator on your dishwasher control panel will illuminate. However, if your

household water supply is too hot your dishwasher’s heating time may be reduced, and the Sanitized indicator may not illuminate.

The cycle times listed in the Use and Care Manual are based on normal soil loads and 120°F incoming water and will vary based on your actual conditions.

NOTE: Only sanitizing cycles have been designed to meet the requirements of 6 for soil removal and sanitization efficacy. There is no intention, either directly or indirectly, that all cycles on a certified machine have passed the sanitization performance test.

CYCLE OPTIONS

OPTION	Can be selected with:	Added time to cycle		Added Water	
		Typical	Maximum	Gallons	Liters
Time Assist Reduces the amount of time it takes to complete a cycle while maintaining a high performance level.	China Gentle	reduces 5-10 min	reduces 15 min	reduces ½ G	reduces 2 L
	Normal Wash	reduces 5-10 min	reduces 40 min	reduces 2½ G	reduces 9.3 L
	Pots & Pans *	reduces 15 min	reduces 15 min	reduces 1.7 G	reduces 6.7 L
	SmartWash™ HE	reduces 5-10 min	reduces 20 min	None	None
TurboClean™ Tackles hard-to-clean dishes in the lower rack, eliminating the need to soak and scrub heavily soiled dishes while keeping the top rack gentle enough for your china.	China Gentle	adds 15 min	adds 20 min	None	None
	Normal Wash	adds 20 min	adds 20 min	None	None
	Pots & Pans *	adds 15 min	adds 20 min	None	None
	SmartWash™ HE	adds 15 min	adds 21 min	None	None
Dry Assist Improves the drying performance by increasing the time and temperature during the drying stage.	Fast Wash	adds 11 min	adds 11 min	None	None
	China Gentle	adds 25 min	adds 25 min	None	None
	Normal Wash *	adds 25 min	adds 25 min	None	None
	Pots & Pans *	adds 20 min	adds 20 min	None	None
	SmartWash™ HE *	adds 20 min	adds 26 min	None	None

* The cycles are NSF certified.

OPERATING THE DISHWASHER

Canceling a cycle

- Open the door slightly to stop the cycle.
- Wait for a few seconds before opening the door all the way.
- Hold down the “POTS & PANS” and “CHINA GENTLE” button until the display shows “0”.
- Close the door. The dishwasher will drain any remaining water.

ADDITIONAL FEATURES

Countdown Display

The countdown display indicates the time remaining for a cycle to complete. The time will change based on water temperatures and control settings.

Cycle Completion Signal

The cycle completion signal alerts you when a cycle completes and the dishwasher has washed and dried the dishes. You can choose to disable the tone or adjust the volume.

NOTE: The unit must be powered OFF before activating/deactivating.

To activate or deactivate:

- Press and hold the “CHINA GENTLE” button and the “POWER” button simultaneously.
- When the light on the “CHINA GENTLE” button you are pressing illuminates and a tone is heard, release both buttons.
- Press the “CHINA GENTLE” button until you achieve the desired volume or until there is no tone (to turn off).
- Press the “POWER” button to save the setting.

Dry Assist

With this option you can raise the temperature of the rinse water and increase the drying time for improved drying.

To use this feature:

- Select the desired cycle first.
- Then press the “DRY ASSIST” button.
- Close the door to begin the cycle.

Time Assist

Reduces the amount of time it takes to complete a cycle while maintaining a high performance level.

To use this feature:

- Select the desired cycle first.
- Then press the “TIME ASSIST” button.
- Close the door to begin the cycle.

Changing a cycle

If you need to change the running cycle to a new cycle, follow the instructions below:

Open the door slightly to stop the cycle.

- Before opening door all the way, wait a few seconds for water to drain to the base of dishwasher tub.
- Press both the “POTS & PANS” and “CHINA GENTLE” buttons to reset. The display shows “0”
- Press the POWER button to turn the unit off. Now turn unit on again.
- Select new cycles and options.
- Close the door to begin cycle.

INDICATOR LIGHTS



Sanitized Indicator



When the “Sanitized” symbol illuminates on the control panel, it means that the items that were just washed have been sanitized according to the requirements of the National Sanitation Foundation (NSF). For more information on NSF certification, refer to the Dishwasher Cycles and Options section of this manual. (The indicator light will come on for the cycles marked with an asterisk in the cycles and options table)

Refill Rinse Agent Indicator



The symbol shown above will illuminate to alert you when more rinse agent is required.



Faucet Indicator

If this symbol illuminates it usually means that unit is not getting water. Please check your water supply valve located behind the dishwasher.

SmartLight

Blue LED illuminates the floor to indicate that the dishwasher is running.



WARNING

You could be seriously scalded if you allow hot water to splash out of the dishwasher. OPEN THE DOOR CAREFULLY during any wash or rinse cycle. Do not fully open the door until water noises have stopped.

CARE AND MAINTENANCE

MAINTENANCE TASKS

Certain areas of your dishwasher require occasional maintenance. The maintenance tasks are easy to do and will ensure continued superior performance from your dishwasher:

- **Wiping up Spills and Splash-outs**

Water may occasionally splash out of your dishwasher, especially if you interrupt a cycle or open the dishwasher door during a cycle. To avoid floor damage and possible mold growth, do not allow wet areas to remain around or under the dishwasher.

- **Clean the Stainless Steel Inner Door and Tub**

Clean the outer edges of the inside door panel regularly to remove debris that might collect from normal loading. If spots begin to appear on the stainless steel tub or inner door, make sure the rinse agent reservoir is full.

- **Clean the drain air gap**

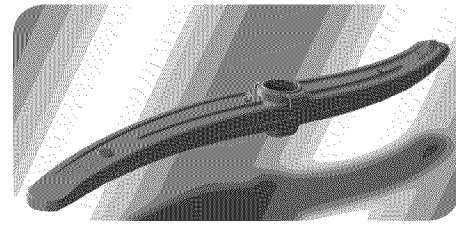
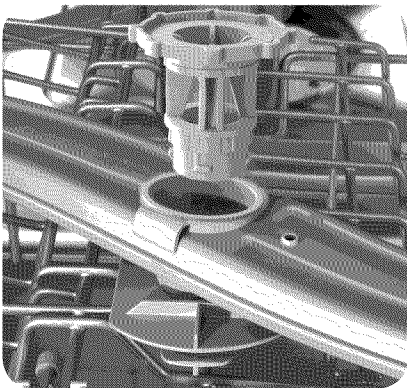
Clean the drain air gap periodically to ensure proper drainage of your dishwasher. With most types you lift off the chrome cover. Unscrew the plastic cap. Then check for any soil buildup. Clean if necessary.

- **Check and clean the Spray arm nozzles**

Occasionally check the spray arms to ensure that the spray arm nozzles (holes) are unobstructed. You must remove the spray arms to check them for obstruction.

To remove the top spray arm:

1. Remove the empty top rack from the dishwasher.
2. Turn the rack upside down. The top spray arm is held in position by a locking nut as shown below. Turn the locking nut counter-clockwise and remove it as shown above to release the spray arm.



3. Remove the spray arm as shown above.
4. Look for obstruction in the spray nozzles.
5. If the spray nozzles need cleaning, flush them under running water.

To reinstall the top spray arm:

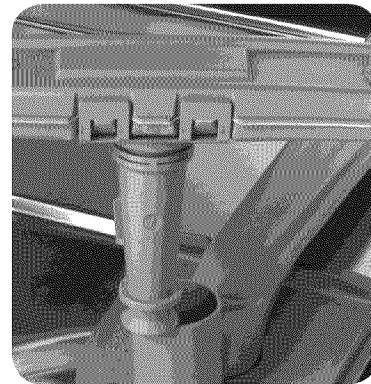
1. Return the top spray arm to its installed position.
2. Return the locking nut to its installed position and turn it 1/8 turn clockwise.
3. Return the top rack to the top rack roller guides.



CAUTION

To avoid injury, do not reach into the large object trap with your fingers. The large object trap could contain sharp objects.

1. Remove the empty bottom rack from the dishwasher tub.
2. Grasp and lift the bottom spray arm as shown below.



3. Look for obstruction in the spray nozzles.
4. If the spray nozzles need cleaning, flush them under running water.

To reinstall the bottom spray arm:

1. Return the bottom spray arm to its installed position and press it so that it snaps into place.
2. Return the bottom rack to its installed position.

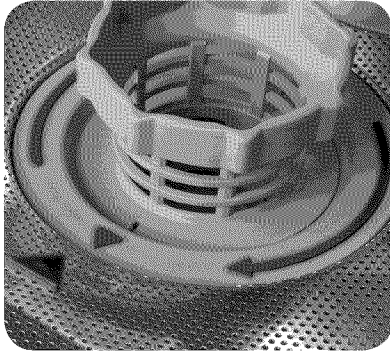
- **Check and clean the filter system**

This dishwasher has a filter system that consists of a Large Object Trap/Cylinder Filter assembly and a Fine Filter. There is also an additional Micro Filter.

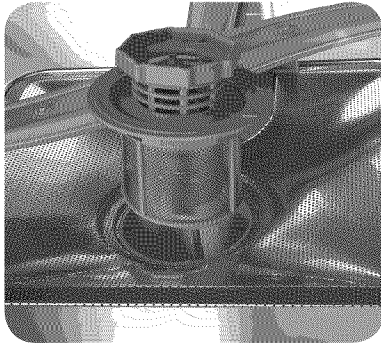
The filter system is located on the inside of your dishwasher under the lower rack and is easily accessible. During normal use, the filter system is self-cleaning. You should occasionally inspect it for foreign objects and clean it when necessary.

To remove the Large Object Trap/ Cylinder Filter Assembly:

1. Remove the bottom rack.
2. Grasp the assembly and turn it counterclockwise $\frac{1}{4}$ turn as shown below.
3. Lift out the assembly as shown below.



4. Carefully examine the assembly. If you find debris in the Large Object Trap, turn it upside-down and gently tap it on a surface such as a countertop to dislodge and remove the debris.



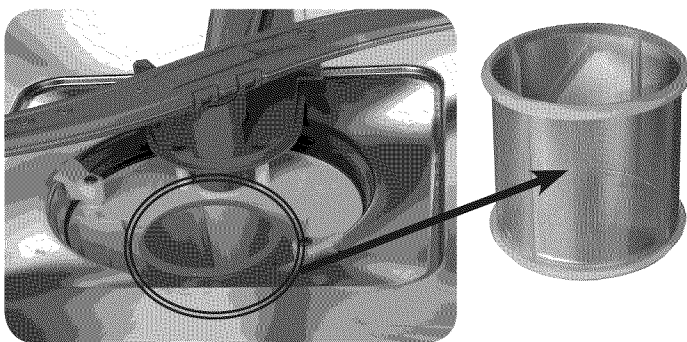
5. Flush the Cylinder Filter clean by holding it under running water.

To remove the fine filter:

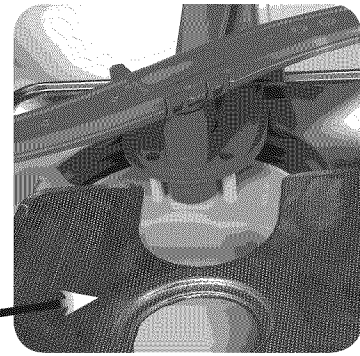
1. Lift the fine filter from the dishwasher floor as shown below and flush it clean by holding it under running water.
2. Remove the Micro filter and flush it clean by holding it under running water.

To reinstall the filter system:

1. Return the fine filter to its originally installed position.

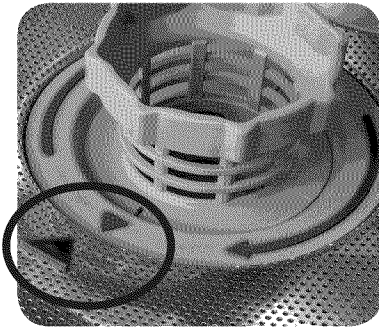


2. Place the Large Object Trap/Cylinder Filter Assembly into its installed position in the dishwasher floor.



Fine Filter

3. Turn the ring handle clockwise $\frac{1}{4}$ turn until it is locked. The arrow on the ring handle and the arrow on the Fine Filter should point to each other, as shown below.
4. Gently pull the ring handle to ensure that the assembly is locked into place.



- **Clean the Exterior Door Panel**

- Colored Doors

Use only a soft cloth that is lightly dampened with soapy water.

- Stainless Steel Doors

Use a soft cloth with a non-abrasive cleaner (preferably a liquid spray) made for cleaning stainless steel. For the best results, apply the stainless steel cleaner to the cloth, then wipe the surface.

- **Clean the Interior**

Hard water minerals can cause a white film to build up on the inside surfaces, especially just beneath the door area. Do not clean the dishwasher interior until it has cooled.

Wear rubber gloves. Do not use any type of cleanser other than dishwasher detergent because it may cause foaming or sudsing.

- Make a paste with powdered dishwasher detergent on a damp sponge and clean OR
- Use liquid automatic dishwasher detergent and clean with a damp sponge.

- **Clean the Door Gasket**

Regularly clean the door gasket with a damp cloth to remove food particles and other debris. Also clean the door seal, located inside the dishwasher at the bottom of the door.

- **Winterizing Your Dishwasher**

If your dishwasher will be unused for an extended period of time in a location that experiences freezing temperatures (e.g., in a holiday home or through a vacation period), have your dishwasher winterized by an qualified service center.

TROUBLESHOOTING

Dishwashers may occasionally exhibit problems that are unrelated to a malfunction of the dishwasher itself. The following information may help you with a dishwasher problem without involving a repair professional.

Problem	Cause	Action
Dishwasher does not start	<ol style="list-style-type: none"> 1. Door may not be properly latched. 2. Unit may not be turned on. 3. Unit not reset or previous cycle not completed. 4. Delay start engaged. 5. Interruption of electrical power supply to dishwasher or blown fuse. 6. The door may have been closed without first selecting a cycle. 7. Water supply may not be turned on. 	<ol style="list-style-type: none"> 1. Shut the door completely. 2. Press the main power switch to turn unit on. 3. To reset, refer to "Canceling or changing the cycle" section in this manual. 4. To reset, refer to "Delay Start" section in this manual. 5. Check circuit breaker. 6. Select a cycle and close the door. 7. Check and turn on water supply.
Dishwasher beeping (end of cycle signal)	Default factory settings alert the customer that the cycle has completed by beeping. This feature can be deactivated if so desired.	To adjust the volume or deactivate, refer to "Cycle Completion Signal" section in this manual.
Display does not illuminate or console lights are not on	<ol style="list-style-type: none"> 1. A fuse may have been blown or circuit breaker tripped. 2. Door not closed or latched. <p>Note: The display only illuminates when the door is opened and controls are visible.</p>	<ol style="list-style-type: none"> 1. Check the fuse or circuit breaker box and replace the fuse or reset the breaker if necessary. 2. Ensure that door is properly latched and completely closed.
Dishwasher seems to run a long time	<ol style="list-style-type: none"> 1. Incoming water is not warm enough. 2. Cycle time can vary due to soil and water conditions. 3. Rinse agent dispenser is empty. 4. Dishwasher connected to cold water supply. 5. The type of cycle options selected may add time to the cycle. <p>Note: For typical cycle length, refer to Wash Cycles table in Dishwasher Cycles and Options section of this Use & Care Guide.</p>	<ol style="list-style-type: none"> 1. Before starting a cycle, run hot water faucet at the sink nearest to the dishwasher. Incoming water should be 120°F. 2. Sensors in the dishwasher automatically increase the cycle time to ensure a good wash when heavy soil is detected. 3. Add rinse agent. 4. Verify dishwasher is connected to hot water supply plumbing.
Dishes aren't getting clean enough	<ol style="list-style-type: none"> 1. Spray arm movement is obstructed. 2. Spray arm nozzles clogged. 3. Improper use of detergents. 4. Filters could be clogged. 5. Dishes are nested or loaded too close together. 6. Selected wash cycle is not suitable for food soil conditions. 7. Make sure incoming water is 120°F 	<ol style="list-style-type: none"> 1. Hand-rotate spray arms to ensure that spray arm movement is not blocked. 2. Remove the spray arms and clean according to "Check/Clean the Spray Arm Nozzles" in Care and Maintenance section of this manual. 3. Increase or decrease detergent depending on the water hardness. Refer to Table under "Adding Detergent and Rinse Agent". 4. Clean the filter. Refer to "Check/Clean the Filter System" under Care and Maintenance section of this manual. 5. Rearrange load such that water spray can reach all items in the dishwasher. See also "Preparing and Loading" section of this manual. 6. Refer to Wash Cycles table in Dishwasher Cycles and Options section of this Use & Care Guide.
Dishes are not getting dry enough	<ol style="list-style-type: none"> 1. Rinse agent dispenser is empty. (Rinse agent indicator is activated). 2. Improper loading of dishes. <p>Note: Plastic or Teflon do not typically dry as completely as other items due to their inherent properties.</p>	<ol style="list-style-type: none"> 1. Add rinse agent. The use of rinse agent improves drying. 2. Rearrange load to ensure items are not nested. Refer also to the "Preparing and Loading" section of this manual. <p>Note: This model has a Dry Assist feature to improve drying performance. Refer to Wash Cycles table in Dishwasher Cycles and Options section of this Use & Care Guide.</p>

Problem	Cause	Action
Odor	<ol style="list-style-type: none"> 1. Food debris is present at the bottom of the dishwasher. 2. Food particles are present near the door seal. 3. Residual water is present at the bottom of the dishwasher. 4. Drain hose is obstructed. 	<ol style="list-style-type: none"> 1. Remove the filters and clean according to the "Check/Clean the Filter System" section of this manual. 2. Refer to "Clean the Door Gasket and Door Seal" in the Care and Maintenance section of this manual . 3. Ensure the unit has completely drained from the last cycle. Refer to the "Canceling or changing the cycle" section of this manual. 4. Remove any obstructions from the drain hose by calling qualified personnel. <p>Note: If odor still persists, run the Normal Wash cycle until it flushes, then open the door to interrupt the cycle, and place an 8 oz. cup of distilled white vinegar solution on the top rack. Close the door and allow the cycle to finish.</p>
Dishwasher not filling with water	<ol style="list-style-type: none"> 1. Restriction in the water supply system. 2. Previous wash cycle was not completed. 3. Delay-start is active. 	<ol style="list-style-type: none"> 1. Ensure that the water supply valve (typically located under kitchen sink) is open and check that the water supply line has no kinks and clogs. 2. Refer to "Canceling a cycle" and "Changing a cycle" information in the Operating the Dishwasher section of this Use & Care Guide. 3. Cancel the delay-start or wait until delay-start time completes (times out). Refer to the "Delay Start" section of this manual.
Water Leaks or Sudsing	<ol style="list-style-type: none"> 1. Suds 2. Door seal could be pulled away from track. 3. Condensation vent is blocked. 4. Improper installation. 	<ol style="list-style-type: none"> 1. Wrong type of detergent results in suds and leaks. Use only dishwasher detergents. If suds still persist, then add one tablespoon of vegetable oil at the bottom of the dishwasher and run the desired cycle. Also wipe up excess rinse agent to prevent sudsing. 2. Ensure that door seal is in the track. 3. Ensure that condensation vent is not blocked. Refer to "Loading Extra Tall Items" in the Preparing and Loading the Dishwasher section of this manual. 4. Have proper installation verified by qualified personnel (water supply, drain system, leveling, plumbing).
Tub stains	<ol style="list-style-type: none"> 1. Stains on the dishwasher interior are due to hardness of water. 2. Silverware in contact with tub. 	<ol style="list-style-type: none"> 1. Concentrated Lemon juice can reduce the build up of hard water stains. Run a normal cycle until it flushes and interrupt the cycle and then place an 8 oz. cup of the concentrated lemon solution on the top rack and finish the cycle. This can be done periodically to avoid build up. 2. Ensure that the silverware does not make contact with the tub while running a cycle.
Spots and Streaks on glassware or residue on the dishes	Incorrect rinse agent setting.	Depending on the hardness of water, adjust the rinse agent dispenser. Refer to "Rinse Agent" section in this manual for adjustment.
Fascia panel discolored or marked	Abrasive cleaner used.	Use mild detergents with soft damp cloth.
Noise during wash cycle	The dishes may not be arranged properly.	Water circulation sound is normal, but if you suspect items are banging into each other or into the spray arms, refer to the "Preparing and Loading" section of this manual for optimal arrangement.
Detergent dispenser cover will not shut	<ol style="list-style-type: none"> 1. Improper operation of detergent cover. 2. Previous cycle has not been finished, reset, or cycle was interrupted. 	<ol style="list-style-type: none"> 1. Refer to "Adding Detergent and Rinse Aid" section of this manual for instructions on opening and closing the dispenser. 2. Refer to "Canceling a cycle" and "Changing a cycle" information in the Operating the Dishwasher section of this Use & Care Guide.
Unable to select desired cycle	Previous cycle has not finished.	Refer to "Canceling a cycle" and "Changing a cycle" information in the Operating the Dishwasher section of this Use & Care Guide.

Dishwasher did not sanitize	<ol style="list-style-type: none"> 1. Did not run a sanitizing cycle 2. Opened door mid-cycle 	<ol style="list-style-type: none"> 1. Select a cycle that is intended to sanitize. See Dishwasher cycles and options section for more information. 2. Do not open the door while the wash cycle is running.
Dishwasher not draining	<ol style="list-style-type: none"> 1. Kinked or Crushed Drain Hose 2. No high Loop in Drain Hose 3. Food Disposer plug not removed 4. The airgap may need cleaning 5. A home plumbing issue. 	<ol style="list-style-type: none"> 1. Check Drain Hose for proper installation. Note: In the Installation Process, do not rotate the Drain Hose after it is attached to the dishwasher. Refer to Installation Instructions for details. 2. Make sure that a portion of the Drain Hose is at least 20" from the floor. Refer to Installation Instructions for details. 3. If your Drain Hose is attached to the Food Disposer make sure the plug in the Food Disposer was removed. 4. Clean the air gap periodically to ensure proper drainage of the dishwasher. With most types, you lift off the chrome cover. Unscrew the plastic cap. then check for any soil buildup. Clean if necessary. 5. In this case, a certified plumber would need to check.
Etching (permanent cloudiness) "Sudsing"	<ol style="list-style-type: none"> 1. Type of glass - some glassware is sensitive to temperature 2. Too much detergent 3. Too much detergent and/or wrong type of detergent and/or wrong brand of detergent. 	<ol style="list-style-type: none"> 1. Make sure that glasses are Dishwasher safe. Select a cycle that does not get as hot. Do not use the Heated Dry option. 2. The amount of detergent is based on the hardness of the water delivered to your dishwasher and the amount of food soil present. If you pre-rinse your dishes and/or have soft water you should reduce the amount of detergent. See Owners manual for details. 3. Reduce or change the type/brand of detergent you are using. Note: Do not pre-rinse dishes. Scraping excess food soils is all that is required.

Get it fixed, at your home or ours!

Your Home

For troubleshooting, product manuals and expert advice:



www.managemylife.com

For repair – **in your home** – of **all** major brand appliances, lawn and garden equipment, or heating and cooling systems, **no matter who made it, no matter who sold it!**

For the replacement parts, accessories and owner's manuals that you need to do-it-yourself.

For Sears professional installation of home appliances and items like garage door openers and water heaters.

1-800-4-MY-HOME[®] (1-800-469-4663)

Call anytime, day or night (U.S.A. and Canada)

www.sears.com www.sears.ca

Our Home

For repair of carry-in items like vacuums, lawn equipment, and electronics, call anytime for the location of your nearest

Sears Parts & Repair Service Center

1-800-488-1222 (U.S.A.) **1-800-469-4663** (Canada)

www.sears.com www.sears.ca

To purchase a protection agreement on a product serviced by Sears:

1-800-827-6655 (U.S.A.) **1-800-361-6665** (Canada)

Para pedir servicio de reparación a domicilio, y para ordenar piezas:

1-888-SU-HOGAR[®]

(1-888-784-6427)

www.sears.com

Au Canada pour service en français:

1-800-LE-FOYER^{MC}

(1-800-533-6937)

www.sears.ca

The Sears logo, featuring the word "Sears" in a large, stylized, serif font with a shadow effect.

® Registered Trademark / TM Trademark of KCD IP, LLC in the United States, or Sears Brands, LLC in other countries

® Marca Registrada / TM Marca de Fábrica de KCD IP, LLC en Estados Unidos, o Sears Brands, LLC in otros países

^{MC} Marque de commerce / ^{MD} Marque déposée de Sears Brands, LLC